

# EASTERN MOTORCYCLE PARTS

2022



2024

**803-284-3304**

**803-284-3305**

**FAX 803-284-3274**

**5120 HILDA ROAD**

**BLACKVILLE, SC 29817**

*Catalog by Jeffrey May*

# **\*\*EASTERN MOTORCYCLE PARTS\*\***

## **Terms and Conditions**

### **\*\*New\*\***

**\*\*Dealers\*\*** **EASTERN MOTORCYCLE PARTS** requires a minimum \$350.00 initial order and \$50.00 there after. Manufacturer of obsolete motor parts, all wording is for reference purposes only.

### **\*Minimum\***

**\*Orders\*** All orders under \$50.00 will be subject to a \$10.00 Service Charge.

### **\*Terms\***

Eastern's standard payment terms are Visa or MasterCard, we will accept C.O.D. Money Orders. In order to maintain an active status, we require all Dealers to have a yearly minimum sales of \$500.00 or more. If this is not achieved we will require a \$350.00 minimum order to be Re-established to active status

### **\*NEW\***

**\*PRODUCTS\*** **\*NEW\*** products listed with an asterisk (\*) next to the part number are newer than the most recent printed catalog.

### **\*Delivery\***

Whenever possible orders will be shipped complete the same day they are received. In all other cases, orders will be processed according to the buyers instructions. All items not in stock (Back Ordered) will be canceled. Please Re-order.

### **\*Freight\***

**\*Allowance\*** All U.P.S. ground orders shipped in the U.S.A. over \$495.00 will receive Free freight benefits including insurance, this does not include the UPS charge for C.O.D. orders (C.O.D. Tag fees apply). All U.P.S. orders over \$495.00 that are being shipped special air services (Next Day RED, 2nd day or 3-day) does **NOT** qualify for any shipping discount on freight charges.

**\*NO FREIGHT ALLOWANCE ON BULK BUYING OR SPECIAL PRICING\***

### **\*Back\***

**\*Orders\*** If an item is out of stock at time of delivery, this item will be automatically be canceled, we do not hold back-orders. (Please reorder)

### **\*Returns\***

No returns will be accepted without prior approval. No credit will be issued without the Original Invoice and a detailed description of what was wrong with the product. All parts returned are subject up to a 15% restocking charge. Products will not be accepted after 1 year of the purchase date.

**Credits will only be given as a "in store credit only."**

(Do not return parts that have been modified)

# **\*\*EASTERN MOTORCYCLE PARTS\*\***

## **Terms and Conditions**

### **\*Special\***

### **\*Pricing\***

Eastern has special pricing for our dealers when they buy quantities of 100, 250 or 500 packs of a single item.

**\*Please note that you "will not" receive free freight with these special prices\***

### **\*Warranty\***

All merchandise manufactured and/or distributed by **Eastern Motorcycle Parts** is fully guaranteed against defects in materials or workmanship only. Final decision will be made in a just and prompt manner. Replacement or credit will be limited to parts manufactured by **Eastern Motorcycle Parts** and does not include labor claims of any type. All merchandise distributed by **Eastern Motorcycle Parts** is guaranteed in accordance with the manufacturers own terms and conditions.

### **\*Bad\***

### **\*Checks\***

Dealers writing **(NFS)** checks will be subject to all further orders **(Certified Check or Master/Visa Card Only). No Exceptions.**

### **⚠WARNING:⚠**

Some products in this catalog contain a chemical known to the State of California to cause [cancer] [and/or birth defects or other reproductive harm].

## **\*\*VACATION NOTICE\*\***

**Eastern Motorcycle Parts closes for vacation the same time every year, twice a year.**

**Eastern closes Christmas week thru New Years and July 4th week.**

# **\*\*EASTERN MOTORCYCLE PARTS\*\***

## **\*\*QUICK REFERENCE\*\***

- \* ANDREWS & CRANE PRODUCTS** **Page 395-419**  
THIS SECTION INCLUDES CAMS, GEARS, GEAR SETS,  
PUSHRODS, MAINSHAFTS, COUNTERSHAFTS, VALVE SPRINGS
- \* BATTERY COVERS & SPEEDOMETERS** **Page 373 & 377**  
THIS SECTION INCLUDES BATTERY COVERS, STRAPS, TRAYS,  
CABLES & SPEEDOMETER RELATED PARTS
- \* BRAKE PARTS/KICKSTAND/FENDERS/HANDLEBAR** **Page 337-367**  
THIS SECTION INCLUDES ALL BRAKE RELATED PARTS, MASTER LISTING  
OF BRAKE CABLES, SWITCHES, KICKSTAND PARTS, FENDERS
- \* CABLES** **Page 357-358**  
THIS SECTION INCLUDES ALL CABLES: CLUTCH, BRAKE, THROTTLE,  
IDLER, CHOKE, SPEEDOMETER AND TACHOMETER CABLES
- \* CARBURETOR** **Page 279-291**  
THIS SECTION INCLUDES ALL CARBURETOR PARTS FOR  
KEIHIM, BENDIX, LINKERT
- \* CHROME COVERS** **Page 373-384**  
THIS SECTION INCLUDES COVERS FOR THE DISTRIBUTOR, HORN,  
GENERATOR, DERBY, INSPECTION, KICK STARTER, PRIMARY,  
ROCKER, SOLENOID, SPEEDOMETER, AND STARTER
- \* COLONY PRODUCTS** **See separate  
Colony Catalog  
for parts & prices.**  
EASTERN CARRIES A FULL LINE OF COLONY PRODUCTS  
**\*\*PLEASE USE COLONY'S CATALOG AND PART NUMBERS\*\***
- \* CYLINDERS, PISTONS & PISTON RINGS** **Page 181-198**  
THIS SECTION INCLUDES CYLINDERS, CYLINDER SLEEVES  
PISTONS, PISTON RINGS, CONVERSION KITS
- \* ELECTRICAL** **Page 292-316**  
THIS SECTION INCLUDES ADVANCE UNIT, GENERATOR,  
IGNITION, RECTIFIERS, RELAYS, STARTERS, SWITCHES,  
TUNE UP KITS, WIRE TERMINALS, WIRING HARNESSSES
- \* ENGINE PARTS** **Page 5-165**  
THIS SECTION INCLUDES ALL INTERNAL MOTOR PARTS  
EXCEPT ELECTRICAL, TRANSMISSION, AND CARBURETOR
- \* F & R WHEELS/SWING ARM** **Page 323-333**  
THIS SECTION INCLUDES AXLES, SLEEVES, SPACERS,  
REAR SPROCKETS, SWING ARM RELATED PARTS, RIVETS  
WHEEL HUB PARTS



# **\*\*EASTERN MOTORCYCLE PARTS\*\***

## **\*\*QUICK REFERENCE\*\***

- \* FRONT FORKS** **Page 368-372**  
THIS SECTION INCLUDES FORK SPRINGS, SEAL KITS, GASKETS  
OIL SEALS, O-RINGS, RETAINING RINGS AND OTHER RELATED  
PARTS
- \* FUEL RELATED (OIL, GAS, AIR)** **Page 388-394, 464**  
THIS SECTION INCLUDES AIR FILTERS AND CLEANERS, FUEL FILTERS,  
GAS CAPS, GAS LINES, FUEL CLAMPS, OIL FILTERS, LINES AND TANKS
- \* GASKETS** **Page 420-447**  
THIS SECTION INCLUDES ALL MOTOR GASKETS AND GASKET KITS
- \* HAND CONTROLS/FLOORBOARDS/FENDERS** **Page 359-367**  
THIS SECTION INCLUDES CLUTCH AND BRAKE LEVERS,  
SWITCHES, FLOORBOARDS, FOOT RESTS
- \* HARDWARE** **Page 448-456**  
THIS SECTION INCLUDES COTTER PINS, LOCK WASHERS AND  
HARDWARE WASHERS
- \* LIGHTING** **Page 317-320**  
THIS SECTION INCLUDES HEADLIGHTS, TAIL LIGHTS, LENSES  
SWITCHES, VISORS MOUNTING BRACKETS
- \* MOTOR MOUNTS & BRACKETS** **Page 385-387**  
THIS SECTION INCLUDES MOTOR MOUNTS, BATTERY, CHOKE, KEY,  
COIL, REGULATOR AND MISCELLANEOUS BRACKETS
- \* OIL PUMPS** **Page 166-177**  
THIS SECTION INCLUDES ALL OIL PUMPS AND RELATED PARTS
- \* SHOCKS** **Page 334-336**  
THIS SECTION INCLUDES SHOCKS AND RELATED PARTS
- \* SPEEDOMETERS** **Page 377**  
THIS SECTION INCLUDES SPEEDOMETERS, DRIVE UNITS, COVERS  
AND CHROME BRACKETS
- \* TOOLS** **Page 457-477**  
THIS SECTION INCLUDES LAPPING TOOLS, REAMING TOOLS,  
A FULL LINE OF HASTINGS TOOLS, HELI-COIL PRODUCTS AND  
VARIOUS OTHER MISCELLANEOUS TOOLS
- \* TRANSMISSION** **Page 199-278**  
THIS SECTION INCLUDES TRANSMISSIONS, CLUTCH, SHIFTER  
KICK STARTER, RATCHET TOP, SHIFTER RELATED

# **\*\*EASTERN MOTORCYCLE PARTS\*\***

## **\*\*INDEX\*\***

### **ADVANCE UNIT ASSEMBLY, Pg 293**

ADVANCE WEIGHTS, Pg 293  
BUSHINGS, Pg 293  
CIRCUIT BREAKER GASKET, Pg 293  
ROLL PINS, Pg 293  
SCREWS, Pg 293  
SPRINGS, Pg 293  
STUDS, Pg 293

### **AIR FILTERS, Pg 386**

AIR CLEANERS, Pg 389  
AIR SCOOPS, Pg 389

### **ANDREWS PRODUCTS, Pg 395-412**

CAMS, Pg 396-403  
COUNTERSHAFTS, Pg 412  
GEARS, Pg 406-411  
GEAR SETS, Pg 408-409  
MAINSHAFTS, Pg 412  
PUSHRODS, Pg 404  
SHIFTER CLUTCH, Pg 405  
SHIFTER FORKS, Pg 405  
SPROCKETS (BELT DRIVE) Pg 404  
VALVE SPRINGS, Pg 405  
VALVE SPRING COLLARS, Pg 405

### **ANTIQUA MOTOR PARTS, Pg 5-9**

CASE BUSHINGS, Pg 7  
CAM BUSHINGS, Pg 7,8  
COUNTERSHAFTS, Pg 7, 9  
CRANK PINS, Pg 6  
MAINSHAFTS, Pg 7  
PINION SHAFTS, Pg 7  
PISTON PIN BUSHINGS, Pg 7  
SPROCKETS SHAFTS, Pg 6  
VALVES, Pg 6  
VALVE SPRINGS, Pg 6

### **ARMATURES & FIELD COILS, Pg 295**

### **AXLES, Pg 322-326**

CHAIN ADJUSTERS, Pg 329  
NUTS, Pg 322  
SLEEVES Pg 323, 349-356,  
SPACERS, Pg 324-326, 349-356

### **AXLE SLEEVES, MASTER LIST, Pg 323**

### **AXLE SPACERS, MAST. LIST, Pg 324-326**

### **BATTERY RELATED PARTS, Pg 374**

BRACKETS, Pg 374, 387  
CABLES, Pg 374  
COVERS, Pg 374  
HOLD DOWN RODS, Pg 374  
STRAPS, Pg 374  
TRAYS, Pg 374

### **BEARINGS, MASTER LIST, Pg 105-107**

BALL BEARINGS, Pg 165  
CAM BEARING, Pg 44, 47, 77, 106  
CASE BUSHING, Pg 53, 58, 60, 67,116,117  
CLUTCH HUB, Pg 119, 254  
CLUTCH, Pg 239-254  
CONNECTING ROD, Pg 116,117  
CRANKCASE, Pg 37, 53, 58, 67  
GENERATOR, Pg 106-107  
MAINSHAFT, Pg 105-106, 118  
MOTOR, Pg 37, 53, 67  
NEEDLE, Pg 117-118  
PINION SHAFT, Pg 70, 107  
ROLLER BEARINGS, Pg 116-118  
SPROCKET SHAFT, Pg 70, 107  
STARTER DRIVE, Pg 96, 98  
STARTER SHAFT, Pg 96, 98  
STARTER SHAFT HOUSING, Pg 96, 98  
SWING ARM, Pg 106-107  
TRANSMISSION, Pg 202-238  
WHEEL, Pg 106-107

### **BRACKETS, MASTER LIST, Pg 386, 387**

BATTERY, Pg 374, 387  
CLUTCH CABLE, Pg 387  
CLUTCH LEVER, Pg 387  
COIL, Pg 387  
KEY SWITCH, Pg 22, 24, 387  
MISCELLANEOUS, Pg 387  
MOTOR MOUNTS, Pg 37, 67, 70, 387  
OIL TANK, Pg 387  
REGULATOR, Pg 387

### **BRAKE CALIPERS, Pg 348**

### **BRAKE CALIPER RELATED PARTS, Pg 348**

BLEEDER SCREWS, Pg 348  
BOOT & SEAL KITS, Pg 348  
BUSHINGS, Pg 348  
O-RINGS, Pg 136, 348  
PINS, Pg 348

### **BRAKE DRUM, LINE DRAWINGS:**

BIG TWIN 1937-1957/Pg 349,350 (REAR)  
BIG TWIN 1958-1972/Pg 351,352 (REAR)  
BIG TWIN 1937-1948/Pg 355 (FRONT)  
BIG TWIN 1949-1971/Pg 356 (FRONT)  
SPORTSTER 1954-1978/Pg 353 (REAR)  
FORTY-FIVE 1935-1952/Pg 354 (FRONT)

### **BRAKE PADS & SHOES, Pg 343, 344**

LININGS, Pg 344, 349-356  
RIVETS, Pg 344, 349-356

### **BRAKE RELATED PARTS, Pg 338-356**

BACKING PLATE, Pg 340  
BRAKE DRUMS, Pg 339, 357  
CABLES, Pg 359, 357  
CLEVIS PINS, Pg 340  
BRAKE LIGHTS, Pg 318  
LINES, Pg 341, 342  
LUG BOLTS, Pg 339, 340, 350, 352, 355  
PEDAL KITS, Pg 338-340  
PEDALS, Pg 338-340  
RODS, Pg 338-340

### **BRAKE HOSES, Pg 342**

### **BRAKE LINES, (STEEL) Pg 341**

### **BREATHER VALVE WASHERS, Pg 45, 47**

### **BUSHINGS (BRONZE) MAST. LIST, Pg 108-110**

CAM GEAR, Pg 8, 45, 48, 56, 58, 62, 64, 77  
CAM GEAR BUSHING KITS, Pg 111  
FORK TUBES, Pg 370  
IDLER GEAR, Pg 45, 56, 59, 62, 65, 77, 109  
KICK STARTER, Pg 110, 263, 265  
OIL PUMP, Pg 44, 47, 55  
PINION SHAFT, Pg 45, 48, 56, 59,66,77 109  
PISTON PIN, Pg 8, 108, 103  
ROCKER ARMS, Pg 84,86,87,90,92,94,139  
SEAT POST, Pg 8, 109

### **CABLES, MASTER LIST, Pg 357-358**

BATTERY, Pg 374  
BRAKE, Pg 357  
CHOKE, Pg 358  
CLUTCH, Pg 355  
IDLER CONTROL, Pg 358  
SPEEDOMETER, Pg 358  
TACHOMETER, Pg 358  
THROTTLE, Pg 358

### **CAM GEAR BUSHING KITS, Pg 111**

### **CAM GEAR SHIMS, Pg 8, 62, 64, 77**

### **CAM GEAR WASHERS, Pg 45, 48, 56**

### **CARBURETOR LINE DRAWINGS:**

BIG TWIN 1937-1957 / Pg 281  
BIG TWIN-SPORTSTER 1971-E/1976 / Pg 282  
BIG TWIN-SPORTSTER L/1976-E/1978 / Pg 284  
BIG TWIN-SPORTSTER L/1978-1980 / Pg 286  
BIG TWIN-SPORTSTER 1981-1989 / Pg 288  
BIG TWIN-SPORTSTER 1988-1999 / Pg 290  
FORTY-FIVE 1930-1965 / Pg 280  
FORTY-FIVE/1937-1957 / Pg 281

### **CASE BUSHINGS, MASTER LIST, Pg 112-114**

CASE BUSHINGS, Pg 7, 38, 39 53, 58, 60, 64,67,108

### **CHAIN GUARDS, Pg 365**

### **CIRCUIT BREAKERS, Pg 303**

### **CLUTCH LINE DRAWINGS:**

BIG TWIN 1941-1984 / Pg 240  
BIG TWIN 1984-1989 / Pg 242  
BIG TWIN 1990-1997 / Pg 243  
BIG TWIN 1998-PRESENT / Pg 244  
SPORTSTER 1954-1970 / Pg 246  
SPORTSTER 1971-E/1984 / Pg 248  
SPORTSTER L/1984-1990 / Pg 250  
SPORTSTER 1991-PRESENT / Pg 252  
FORTY-FIVE 1941-1973 / Pg 239

### **CLUTCH HUBS, MASTER LIST, Pg 254**

### **CLUTCH LEVERS, FOOT Pg 259, HAND Pg 361**

### **CLUTCH PUSH RODS, Pg 261**

### **CLUTCH PUSH ROD KITS, Pg 260**

### **CLUTCH PLATES, MASTER LIST, Pg 255-258**

FRICITION, Pg 255-258  
STEEL, Pg 255-258

### **CLUTCH RELATED PARTS, MAST. LIST, Pg 254-256**

ADJUSTING SCREWS, Pg 256-258  
BEARINGS, Pg 117, 240-256  
CABLES, Pg 355  
HUBS, Pg 238-254, 257  
HUB BEARING KIT, Pg 254  
KEYS, Pg 159  
LINING, Pg 240, 256  
PUSH RODS, Pg 239-244, 261  
PUSH ROD ENDS, Pg 239-251, 261  
PUSH ROD KITS, Pg 260

### **COMETIC GASKETS, Pg 441-447**

### **CONDENSERS, Pg 294**

### **CONNECTING RODS, Pg 115**

BEARINGS, Pg 116-117  
CAGES, Pg 116  
RACES, Pg 115

### **CONVERSION KITS:**

SPORTSTER 883,1100 TO 1200, Pg 182

### **COTTER PINS, Pg 449**

### **COUNTERSHAFTS, Pg 200-220**

EASTERNS, Pg 200

ANDREWS, Pg 412

**\*\*CONTINUED NEXT PAGE\*\***

# **\*\*EASTERN MOTORCYCLE PARTS\*\***

## **\*\*INDEX\*\***

### **COVERS, MASTER LIST, Pg 373-378**

BATTERY, Pg 374  
DERBY, Pg 378, 379  
GENERATOR, Pg 375-376  
INSPECTION COVER, Pg 378  
KICK STARTER, Pg 378  
PRIMARY, Pg 381-382  
REGULATOR, Pg 376  
RELAY, Pg 372, 376  
ROCKER, Pg 79, 81, 83, 85, 93, 383-384  
SHOCK, Pg 335, 375-376  
SOLENOID, Pg 375-376  
SPEEDOMETER, Pg 377  
STARTER MOTOR, Pg 375-376

### **CRANE PRODUCTS, Pg 413-419**

CAMS, Pg 414-417  
PUSH RODS, Pg 418  
TAPPET KITS, Pg 418  
TOOLS, Pg 419  
VALVE COLLARS, Pg 418  
VALVE SPRING KITS, Pg 419  
VALVE SPRINGS, Pg 418

### **CRANKCASE, BIG TWIN / DRAWINGS:**

BIG TWIN 1941-1999 / Pg 37-39  
BIG TWIN 1999-2002 / Pg 40-41  
BIG TWIN 2003-PRESENT / Pg 42  
**ENGINE BALANCER:**  
BIG TWIN 2000-PRES. / Pg 43  
**GEAR SIDE:**  
BIG TWIN 1936-1969 / Pg 44-45  
BIG TWIN 1970-1998 / Pg 46-48  
BIG TWIN 1999-PRESENT / Pg 49-51

### **OVERHEAD;**

BIG TWIN 1940-1957 / Pg 52-54  
BIG TWIN 1940-1957 / Pg 55-56

### **SIDE VALVE;**

BIG TWIN 1937-1948 / Pg 57-59

### **CRANKCASE, SPORTSTER / DRAWINGS;**

SPORTSTER 1954-1976 / Pg 66-68  
SPORTSTER 1977-1985 / Pg 69-70  
SPORTSTER 1986-1990 / Pg 71-72  
SPORTSTER 1991-2003 / Pg 73-74  
SPORTSTER 2004-PRES / Pg 75

### **GEARCASE;**

SPORTSTER 1954-1990 / Pg 76-77  
SPORTSTER 1991-PRES / Pg 78

### **CRANKCASE, SPORTSTER K-MODEL:**

SPORTSTER 1952-1956 / Pg 63-65

### **CRANKCASE, FORTY-FIVE / DRAWINGS;**

FORTY-FIVE 1937-1973 / Pg 60

### **GEAR SIDE / GEAR BOX;**

FORTY-FIVE 1937-1973 / Pg 61-62

### **TRANSMISSION:**

FORTY-FIVE 1935-1973 / Pg 236-238

### **CRANK PINS, MASTER LIST, Pg 125-126**

LOCK KITS, Pg 126  
LOCK PLATES, Pg 126, 160  
NUTS, Pg 6, 126, 130-131  
SCREWS, Pg 126

### **CYLINDERS, MASTER LIST, Pg 183-185**

### **CYLINDER HEAD LINE DRAWINGS;**

BIG TWIN FLAT. 1936-1948 / Pg 14-15  
BIG TWIN KNUCK. 1936-1947 / Pg 18-20  
BIG TWIN PAN. 1948-1965 / Pg 21-22  
BIG TWIN SHO. 1966-1984 / Pg 23-25

**\*\*CONTINUED NEXT COLUMN\*\***

### **CYLINDER HEAD LINE DRAWINGS;**

BIG TWIN EVO. 1984-1999 / Pg 26-28  
BIG TWIN 2000-P. 1450/1550 / Pg 29-30  
SPORTSTER "K" 1952-1956 / Pg 11-13  
SPORTSTER 1954-1985 / Pg 31-33  
SPORTSTER 1986-PRES. / Pg 34-36  
FORTY-FIVE 1929-1973 / Pg 16-17

### **CYLINDER SLEEVES, Pg 186**

### **DISTRIBUTORS, Pg 293**

### **DOWEL PINS, MASTER LIST, Pg 137**

### **ELECTRICAL, Pg 292-316**

### **ELECTRICAL CONNECTORS, Pg 310**

### **ELECTRICAL SWITCHES, Pg 308-309**

### **ENGINE STANDS, Pg 458**

### **FENDERS, Pg 366**

### **FIELD COILS, Pg 295, 301**

### **FILTERS;**

AIR, Pg 389  
FUEL, Pg 394  
OIL, Pg 392

### **FLOOR BOARDS, Pg 363**

MOUNTING KIT, Pg 363  
PADS, Pg 363

### **FLYWHEELS ONLY, Pg 179**

### **FLYWHEEL KITS, Pg 178**

### **FLYWHEEL WASHERS, MASTER LIST, Pg 127**

### **FOOT RESTS, Pg 363**

### **FOOT SHIFTER LINE DRAWINGS;**

BIG TWIN '41-79 RATCHET TOP, Pg 268, 269  
BIG TWIN '79-84 ROTOR TOP, Pg 270, 271

### **FORK SEAL KITS, Pg 371**

### **FORK SPRINGS, Pg 372**

### **FRONT FORK, RELATED PARTS, Pg 369-370**

BUSHINGS, Pg 370  
FORK SEAL KITS, Pg 371  
O-RINGS, Pg 135-136, 371  
RETAINING RINGS, Pg 164  
SEALS, Pg 133  
SPRINGS, Pg 372  
TUBE CAPS, Pg 370  
WASHERS, Pg 370

### **FUEL LINES, Pg 394**

CLAMPS, Pg 394  
FUEL FILTERS, Pg 394  
GAS, Pg 394  
OIL, Pg 390

### **GAS CAPS, Pg 393**

### **GASKETS, \*\*COMETIC\*\* Pg 441-446**

### **GASKETS, MASTER LIST, Pg 420-429**

CAM GEAR, Pg 45-77, 426, 432-433  
CAM GEAR KITS, Pg 432-433  
CARBURETOR, Pg 279-291, 427  
CYLINDER BASE, Pg 11-36, 422  
GENERATOR, Pg 295, 297, 299, 300, 427  
HEAD GASKET, Pg 6, 14-34, 421, 434-435  
KICK STARTER, Pg 261, 263  
MOTOR SETS, Pg 419, 420, 433, 434  
OIL PUMP, Pg 166-175, 422, 423  
OIL PUMP KITS, Pg 165, 426  
PRIMARY COVER, Pg 12, 69-73, 424, 425  
ROCKER COVER, Pg 78-93, 421  
STARTER HOUSING, Pg 94-103  
TAPPET GUIDES, Pg 12, 15, 17, 19, 22, 422  
TOP END SETS, Pg 420, 421, 435, 436  
TRANSMISSION SETS, Pg 423, 424, 426, 432

### **GENERATOR LINE DRAWINGS**

BIG TWIN 1932-1957 / Pg 298-299  
BIG TWIN 1958-1969 / Pg 300-301

**\*\*CONTINUED NEXT COLUMN\*\***

### **GENERATOR LINE DRAWINGS**

SPORTSTER 1971-1981 / Pg 300-301  
SPORTSTER 1982-E/1984 / Pg 302

### **GENERATORS & PARTS, Pg 296-302**

ARMATURES, Pg 295  
BEARINGS, Pg 106, 107, 297-298  
BRUSHES, Pg 297, 299  
COVERS, Pg 297, 363  
DRIVE GEARS, Pg 297, 299, 301, 302  
FIELD COILS, Pg 295  
GASKETS, Pg 297, 299, 301, 302, 427  
IGNITION COILS, Pg 303  
RECTIFIERS, Pg 304  
REGULATORS, Pg 304  
OIL SEALS, Pg 299, 301, 302

### **HAND SHIFTER LINE DRAWING;**

BIG TWIN 1937-1979 / Pg 267

### **HANDLE BAR CONTROLS, Pg 360-362**

BRAKE LEVERS, Pg 360-362  
CLUTCH LEVERS, Pg 360-362

### **HASTINGS RINGS, Pg 193**

### **HASTINGS TOOLS, Pg 469-477**

### **HARDWARE WASHERS, Pg 452-456**

### **HEAD GASKETS, MASTER LIST, Pg 421, 434-435**

HEAD GASKETS, Pg 6, 14, 16, 19, 421, 434-435

### **HEAD LIGHTS, Pg 319-320**

MOUNTING BRACKETS, Pg 319-320  
SEAL BEAMS, Pg 319-320  
SWITCHES, Pg 308-309, 319-320  
VISORS, Pg 319-320

### **HELI-COIL, Pg 459-460**

### **IGNITION COILS, Pg 303**

BRACKETS, Pg 303, 376  
COVERS, Pg 303, 376

### **IGNITION SWITCHES, Pg 308-309**

### **KEYS, MASTER LIST, Pg 159**

CLUTCH HUB, Pg 159, 241, 242  
MAINSHAFT, Pg 159  
OIL PUMP, Pg 45, 48, 56, 159, 166-177  
PINION SHAFT, Pg 44, 45, 47, 159, 77, 78

### **KICK STAND PARTS, Pg 364**

LEG STOP, Pg 364  
MOUNTING BRACKET, Pg 364  
SPRINGS, Pg 157, 158, 364

### **KICK STARTER RELATED PARTS, Pg 262-265**

ARMS, Pg 262-265  
BUSHINGS, Pg 262-265  
PEDALS, Pg 262-265  
PEDAL BOLT KITS, Pg 262-265  
SPRINGS, Pg 156, 262-265  
SHAFTS, Pg 262-265

### **KICK STARTER LINE DRAWINGS;**

BIG TWIN 1941-1969 / Pg 262-263  
SPORTSTER 1954-1985 / Pg 264-265  
FORTY-FIVE 1929-1973 / Pg 262-263

### **KITS; MISCELLANEOUS**

CAM BUSHING, Pg 111  
FORK SEAL, Pg 371  
OIL PUMP, Pg 173  
PUSH ROD, Pg 260

### **LAPPING TOOLS & PARTS, Pg 461, 465-466**

CONNECTING RODS, Pg 461  
ENGINE, Pg 465-466  
TRANSMISSION, Pg 465-466

### **LENSES, Pg 318**

BEEHIVE, Pg 318  
BULLET, Pg 318  
MARKER LIGHTS, Pg 318  
TAIL LIGHT, Pg 318  
TOMBSTONE, Pg 318

# **\*\*EASTERN MOTORCYCLE PARTS\*\***

## **\*\*INDEX\*\***

### **LEVERS, Pg 276**

BRAKE, Pg 338-340, 350, 353  
CLUTCH, Pg 259  
SHIFTER, Pg 233, 235, 269, 273, 276

### **LIGHTING, Pg 317-320**

### **LOCK TABS, MASTER LIST, Pg 160-161**

### **LOCK WASHERS, MASTER LIST, Pg 450-451**

INTERNAL, Pg 450-451  
EXTERNAL, Pg 451  
REGULAR, Pg 451

### **MAINSHAFTS, Pg 200-221**

EASTERNS Pg 200-201  
ANDREWS, Pg 412  
GEARS, Pg 202-216  
NUTS, Pg 130-131, 202-216

### **MASTER CYLINDER (F&R WHEELS) Pg 345**

REPAIR KITS, Pg 345  
RUBBER BOOTS, Pg 345

### **MASTER CYLINDER (HAND LEVER) Pg 346-347**

LEVERS, Pg 360-361  
REPAIR KITS, Pg 346-347

### **MOTOR BEARINGS, Pg 37, 41**

### **MOTOR BEARING SPACERS, Pg 37, 41, 128-129**

### **MOTOR MOUNTS, Pg 386**

### **MOTOR STANDS, Pg 458**

### **MOUNTING BRACKETS, Pg 386-387**

BATTERY, Pg 387  
COIL, Pg 387  
KEY SWITCH, Pg 387  
MOTOR MOUNTS, Pg 18, 21, 23, 387  
REGULATOR, Pg 387

### **NUTS, MASTER LIST, Pg 130-131**

AXLE SLEEVE NUTS, Pg 322, 326  
AXLE, Pg 322, 326  
CLUTCH, HUB, Pg 8, 131, 239-253  
CRANK PINS, Pg 7, 126, 130-131  
KICK STARTER, Pg 263, 265  
MAINSHAFT, Pg 130-131, 202-216  
PINION SHAFT, Pg 43, 45, 123, 130-131  
SPROCKET SHAFTS, Pg 123-124, 130-131

### **OIL LINES, Pg 390**

BRAIDED, Pg 390  
STEEL, Pg 390

### **OIL & GAS LINES, Pg 390, 394**

FUEL LINES, Pg 390  
HOSE CLAMPS, Pg 394  
OIL FILTERS, Pg 391-392  
PETCOCKS, Pg 394

### **OIL FILTERS, Pg 391-392**

ELEMENTS, Pg 391

### **OIL PUMP LINE DRAWINGS;**

BIG TWIN 1936-1967 / Pg 167  
BIG TWIN 1968-1984 / Pg 168-169  
BIG TWIN 1984-1999 / Pg 170-171  
SPORTSTER 1954-1976 / Pg 174-175  
SPORTSTER 1977-1990 / Pg 176  
SPORTSTER 1991-PRESENT / Pg 177  
FORTY-FIVE 1937-1973 / Pg 172  
SIDE VALVE 1937-1948 / Pg 172

### **OIL PUMP,**

DRIVE SHAFTS, Pg 45, 48, 167-177  
KITS, Pg 173  
GEARS, Pg 45, 48, 167-176

### **O-RINGS, MASTER LIST, Pg 134-136**

### **OIL SEALS, MASTER LIST, Pg 132-133**

CLUTCH, Pg 132-133  
FRONT FORKS, Pg 132-133, 370  
OIL PUMP, Pg 132-133, 167-176  
REAR WHEEL, Pg 132-133, 326, 331

### **OIL TANKS, Pg 391-392**

DIPSTICK, Pg 392  
CAPS, Pg 392  
FILLER PLUGS, Pg 392  
OIL FILTERS, Pg 392  
OIL FILTER ELEMENTS, Pg 392  
RUBBER MOUNTS, Pg 392

### **PEDALS;**

BRAKE, Pg 338-340  
KICK STARTER, Pg 263, 265  
RUBBER, Pg 263, 265

### **PINION SHAFTS, MASTER LIST, Pg 120-121**

BEARING RACE, Pg 121  
KEYS, Pg 159  
LOCK KITS, Pg 121  
LOCK PLATES, Pg 121  
NUTS, Pg 121, 130-131

### **PISTONS, MASTER LIST, Pg 187-192**

### **PISTON RINGS, MASTER LIST, Pg 193-198**

### **POINTS, Pg 294**

CIRCUIT BREAKERS, Pg 303

### **PRIMARY COVERS, Pg 381-382**

BUSHINGS, Pg 382  
DRAIN PLUGS, Pg 382  
GASKETS, Pg 68, 70, 72, 74, 428, 446

### **PRIMARY COVER LINE DRAWING;**

BIG TWIN 1989-2001, Pg 245  
BIG TWIN 1987-PRES, Pg 379-380

### **PUSHRODS, (CLUTCH) Pg 260-261**

PUSH ROD KITS, Pg 260  
PUSH ROD ENDS, Pg 261

### **RATCHET TOP LINE DRAWING**

BIG TWIN 1941-'79 (FOOTSHIFT) Pg 268

### **REAMING TOOLS, Pg 462-463**

CAM BUSHING, Pg 463  
PINION BUSHING, Pg 463  
VALVE GUIDES, Pg 462

### **RECTIFIERS, MASTER LIST, Pg 304**

### **REGULATORS, MASTER LIST, Pg 304**

### **RELAYS, Pg 307**

### **RETAINING RINGS, MAST. LIST, Pg 162-164**

### **RIVETS (REAR WHEEL) Pg 327**

### **ROD BEARINGS, Pg 116-117**

### **ROD LAPPING TOOL, Pg 461**

### **ROD RACES, Pg 115**

### **ROD SETS, Pg 115**

### **ROCKER ARMS, MASTER LIST, Pg 138-139**

ARMS, Pg 21, 81-93, 138  
BEARINGS, Pg 136, 139  
BLOCKS, Pg 21, 81-93, 138  
BUSHINGS, Pg 81-93, 139  
DOWEL PINS, Pg 139  
SHAFTS, Pg 18, 81-93, 139  
SHIMS, Pg 136, 139  
SPACERS, Pg 139

### **ROCKER COVERS, MAST. LIST, Pg 383-384**

ROCKER COVERS, Pg 78-93, 383-384

### **ROCKER COVER LINE DRAWING;**

BIG TWIN 1936-1947 / Pg 79-80  
BIG TWIN 1948-1965 / Pg 81-82  
BIG TWIN 1966-1984 / Pg 83-84  
BIG TWIN 1984-1999 / Pg 85-86  
BIG TWIN 2000-PRES / Pg 87-88  
SPORTSTER 1954-1985 / Pg 89-90  
SPORTSTER 1986-1990 / Pg 91-92  
SPORTSTER 1991-1999 / Pg 93-94

### **ROTOR TOP LINE DRAWING;**

FOOT SHIFT:  
BIG TWIN 1979-1984 / Pg 270-271

### **ROLL PINS, MASTER LIST, Pg 137**

### **ROLLER BEARINGS, MAST. LIST, Pg 116-119**

CASE BUSHING, Pg 37, 53, 58, 60, 118-119  
CONNECTING RODS, Pg 116-117  
COUNTERSHAFT, Pg 118-119  
MAIN DRIVE GEAR, Pg 118  
MAINSHAFT, Pg 118  
WHEEL HUBS, Pg 118-119

### **SHIFTER RELATED PARTS, Pg 266-276**

FORKS, Pg 266  
SHAFTS, Pg 266  
LEVERS, Pg 232-235, 266-276  
RODS, Pg 276

### **SHIFTER LINE DRAWINGS;**

BIG TWIN 1937-'79 (HANDSHIFT) Pg 267  
BIG TWIN 1941-'79 (FOOTSHIFT) Pg 269  
BIG TWIN 1979-'84 (FOOTSHIFT) Pg 270  
SPORTSTER 1954-'85 (LINKAGE) Pg 272  
SPORTSTER 1991-2003 / Pg 274  
SPORTSTER 2004-PRES / Pg 275

### **SHOCK ABSORBERS, Pg 335**

COVERS, Pg 335, 375-376  
RUBBER BUSHINGS, Pg 335  
WASHERS, Pg 336

### **SHOCK STUDS, Pg 336**

NUTS, Pg 336  
WASHERS, Pg 336

### **SOLENOIDS & RELATED PARTS, Pg 307**

### **SPARK PLUGS & WIRES, Pg 316**

### **SPEEDOMETERS, Pg 377**

CABLES, Pg 358  
COVERS, Pg 376  
DRIVE UNITS, Pg 377

### **SPRINGS, MASTER LIST, Pg 154-158**

CLUTCH, Pg 7, 154, 156, 157  
FRONT FORK, Pg 157, 158, 370, 372  
VALVE SPRINGS, Pg 6, 12, 14, 16, 21-34, 152  
VALVE SPRING KITS, Pg 151

### **SPROCKETS, Pg 277-278, 327**

BELT DRIVE, \*ANDREWS\* Pg 404  
COUNTERSHAFT, Pg 277-278  
MOTOR, Pg 277-278  
REAR WHEEL, Pg 327

### **SPROCKET RELATED PARTS, Pg 328-328**

### **SPROCKET SHAFT, MASTER LIST, Pg 120-121**

BEARING PULLER, Pg 469  
LOCK PLATES, Pg 123, 160  
NUTS, Pg 123, 130-131  
SPACERS, Pg 38, 124,  
SHIMS, Pg 124

### **STARTER MOTOR LINE DRAWINGS;**

BIG TWIN 1989-PRESENT / Pg 101-102  
SPORTSTER 1986-1990 / Pg 103  
SPORTSTER 1991-PRESENT / Pg 104

### **HITACHI & PRESTOLITE;**

BIG TWIN 1966-1982 / Pg 99  
SPORTSTER 1967-1980 / Pg 99

### **HITACHI;**

BIG TWIN 1982-1988 / Pg 100

### **STARTERS & PARTS, Pg 306**

BEARINGS, Pg 105, 306  
BRUSHES, Pg 306  
DRIVES, Pg 95-104  
SPRINGS, Pg 306

# **\*\*EASTERN MOTORCYCLE PARTS\*\***

## **\*\*INDEX\*\***

### **STARTER SHAFT & HOUSING**

#### **LINE DRAWINGS;**

BIG TWIN 1965-1988 / Pg 95-96  
SPORTSTER 1967-1985 / Pg 97-98  
GASKETS, Pg 95-104, 427, 431

### **STARTER SOLENOID PARTS, Pg 307**

BOOTS (RUBBER), Pg 307  
COVER, Pg 307, 376  
GASKETS, Pg 95-104, 427  
RELAYS, Pg 307, 376

### **STATORS, Pg 305**

### **SWITCHES, MASTER LIST, Pg 308-309, 367**

BRAKE LIGHT, Pg 308-309, 367  
HEADLIGHTS, Pg 308-309, 320, 367  
HORN, Pg 308-309, 320, 367  
IGNITION, Pg 308-309, 367  
OIL PRESSURE, Pg 308-309, 367  
RUN-OFF, Pg 308-309, 320, 367  
STOP LIGHT, Pg 308-309, 320, 367  
TURN SIGNAL, Pg 308-309, 320, 367

### **SWING ARM PARTS, Pg 326**

AXLES, Pg 322, 326  
BEARINGS, Pg 326  
LOCK NUTS, Pg 326  
NUTS, Pg 322  
SLEEVES, Pg 323  
SPACERS, Pg 324-325

### **TACHOMETER CABLES, Pg 358**

### **TAIL LIGHTS, Pg 318**

GASKETS, Pg 318  
LENSES, Pg 318  
TURN SIGNALS, Pg 318  
VISORS, Pg 318

### **TAPPETS, MASTER LIST, Pg 140-141**

### **TAPPETS, Pg 11, 14, 16, 18, 82, 84, 91, 140-141**

GUIDES, Pg 14, 16, 31, 82, 84, 142  
NUTS, Pg 11, 14, 16, 141  
ROLLERS, Pg 134  
SCREWS, Pg 11, 14, 16, 141

### **TAPPET GUIDES, MASTER LIST, Pg 142**

### **THROTTLE CABLES, Pg 358**

### **THRUST WASHERS:**

BREATHER VALVE, Pg 45, 47  
CAM GEAR, Pg 45, 48  
COUNTERSHAFT, Pg 218, 219  
FLYWHEEL, Pg 127  
HARDWARE WASHERS, Pg 452-456  
MAINSHAFT, Pg 216, 237, 238

### **TOOLS, MASTER LIST, Pg 457-377**

ENGINE LAPPING, Pg 465-466  
CONNECTING RODS, Pg 461  
HASTINGS, Pg 467-477  
MOTOR BEARING END PLAY, Pg 128-129  
REAMING TOOLS, Pg 462-463  
TRANSMISSION LAPPING, Pg 465-466

### **TOOL BOXES, Pg 393**

### **TRANSMISSION LINE DRAWINGS;**

BIG TWIN 1936-1984, Pg 202-209  
BIG TWIN 1980-E/1995, Pg 210-211  
BIG TWIN 1995-PRESENT, Pg 212-213  
SPORTSTER 1954-1990 / Pg 214-219  
SPORTSTER 1991-2005 / Pg 220-221  
FORTY-FIVE 1935-1973 / Pg 236-238

### **GEAR SHIFTER LINE DRAWINGS;**

BIG TWIN 1984-1990, Pg 226-227  
BIG TWIN 1999-2000, Pg 232-233  
BIG TWIN 2001-PRES., Pg 234-235

### **TRANSMISSION HOUSING LINE DRAWING;**

BIG TWIN 1979-E/1984 / Pg 222-223  
BIG TWIN 1984-1986 / Pg 224-225  
BIG TWIN 1987-1998 / Pg 228-229  
BIG TWIN 1999-PRESENT / Pg 230-231

### **VALVES, MASTER LIST, Pg 143-146**

VALVES, Pg 6, 10, 12, 14, 16, 18, 21, 23, 26, 29, 31

### **VALVE GUIDES, MASTER LIST, Pg 147-150**

VALVE GUIDES, Pg 6, 10, 12, 14, 16, 23, 26, 29, 31  
VALVE GUIDE SEALS, Pg 150

### **VALVE GUIDE REAMERS, Pg 462**

### **VALVE SPRINGS, MASTER LIST, Pg 152-153**

VALVE SPRINGS, Pg 10, 14, 16, 21-34, 152-153  
COLLARS, Pg 6, 11, 14, 16, 21-34, 152-153  
KEEPERS, Pg 14, 16, 21-34, 152-153  
SPACERS, Pg 152-153  
SHIMS, Pg 152-153

### **VALVE SPRING KITS, MASTER LIST, Pg 151**

### **VISORS, Pg 317-320**

HEADLIGHT, Pg 319-320  
TAIL LIGHT, Pg 318

### **WASHERS (HARDWARE) Pg 452-456**

### **WHEEL CYLINDER, Pg 345**

BLEEDER SCREWS, Pg 345  
BOLT, Pg 345  
REPAIR KITS, Pg 345  
SWIVEL FITTINGS, Pg 345  
WASHER, Pg 345

### **WHEEL HUB PARTS, Pg 330-331**

COVERS, Pg 330-331  
SHIMS, Pg 330-331  
SLEEVES, Pg 323-325, 332-333  
SPACERS, Pg 323-325, 332-333  
THRUST WASHERS, Pg 330-331

### **WIRING HARNESSSES, Pg 311-312**

### **WIRE LOOM & TIES, Pg 315**

### **WIRE TERMINALS, MASTER LIST, Pg 313-314**

### **XR-750 PARTS, Pg 10**

# **\*\*EASTERN MOTORCYCLE PARTS\*\***

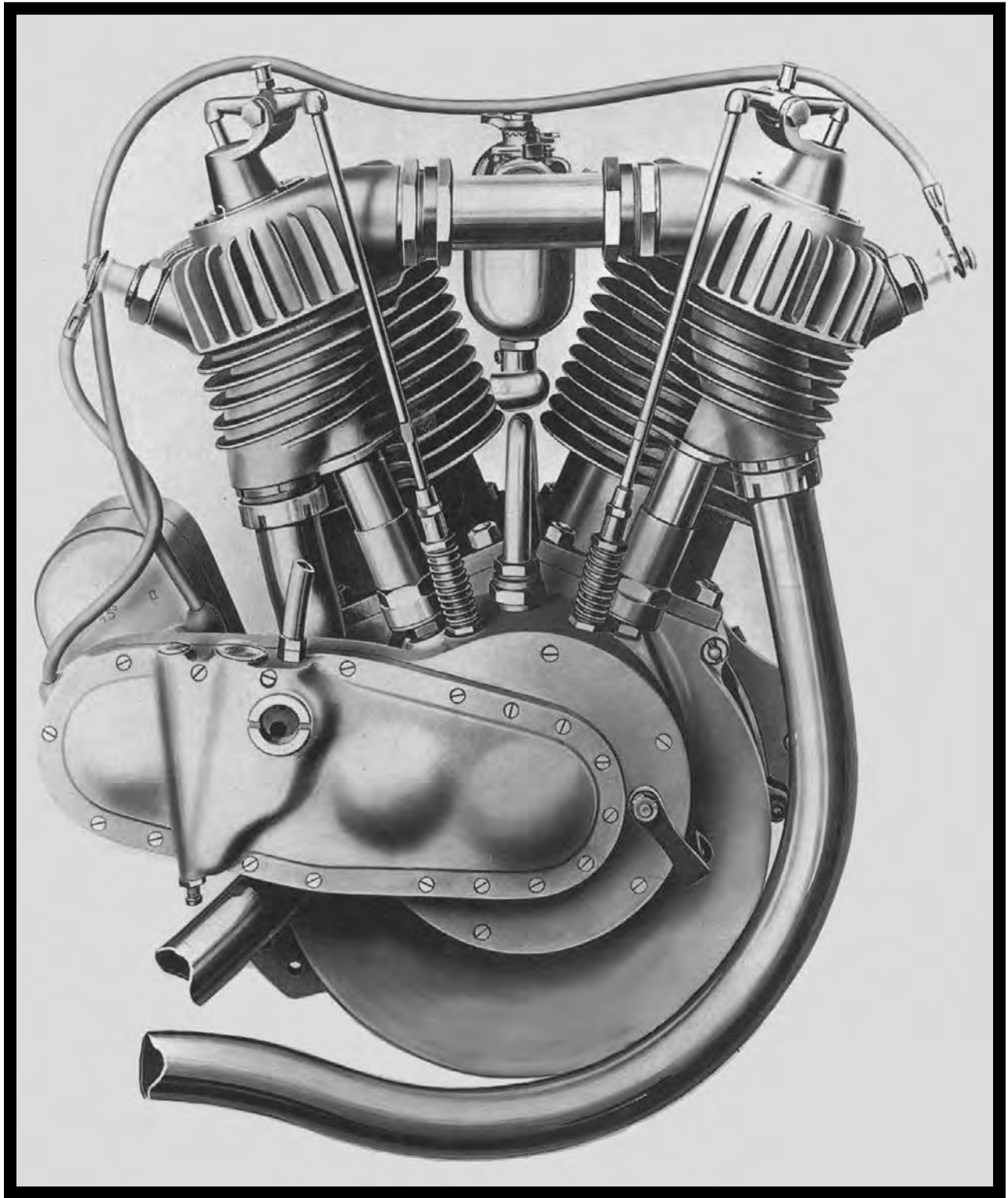
## **\*\*ENGINE PARTS\*\***

- 
- \* BEARINGS
  - \* BRONZE BUSHINGS
  - \* CAM BUSHING KITS
  - \* CASE BUSHINGS
  - \* CONNECTING RODS, CAGES, BEARINGS
  - \* CONVERSION KITS (883, 1100 TO 1200)
  - \* CRANK PINS, LOCKS, NUTS
  - \* CRANKCASE DRAWINGS
  - \* CYLINDER HEAD DRAWINGS
  - \* FLYWHEEL KITS
  - \* FLYWHEEL WASHERS
  - \* KEYS, MASTER LISTING
  - \* LOCK TABS, PLUS MASTER LIST
  - \* MOTOR BEARING SPACERS & TOOLS
  - \* NUTS, PLUS MASTER LIST
  - \* O-RINGS, PLUS MASTER LIST
  - \* OIL SEALS, PLUS MASTER LIST
  - \* PINION SHAFTS, LOCKS, NUTS
  - \* RETAINING RINGS, PLUS MASTER LIST
  - \* ROCKER ARMS, SHAFTS, COVERS
  - \* ROCKER COVER DRAWINGS
  - \* ROLLER BEARINGS
  - \* SPRINGS, PLUS MASTER LIST
  - \* SPROCKET SHAFTS, NUTS, SPACERS
  - \* STARTER SHAFT DRAWINGS
  - \* TAPPETS, TAPPET BLOCKS
  - \* VALVES, GUIDES, SPRINGS & SPRING KITS

**\*\*EASTERN MOTORCYCLE PARTS\*\***

**\*\*ANTIQUE MOTOR PARTS\*\***

**\*\*PRE-1939\*\***



**\*5120 HILDA ROAD\* BLACKVILLE, S.C. 29817\* 803-284-3304\***

# **\*\*EASTERN MOTORCYCLE PARTS\*\***

## **\*\*ANTIQUE MOTOR PARTS\*\***

### **\*\*PRE-1939\*\***



A-119-13



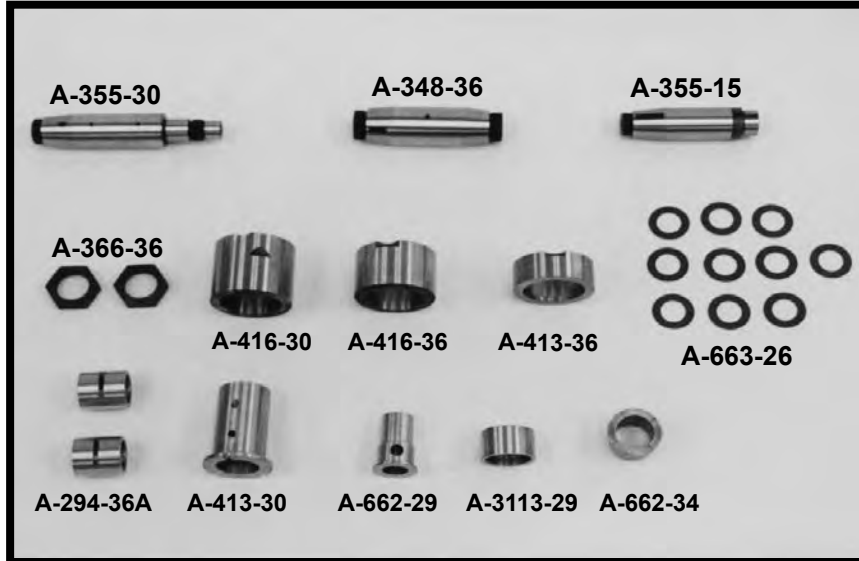
A-119-23



A-140-17



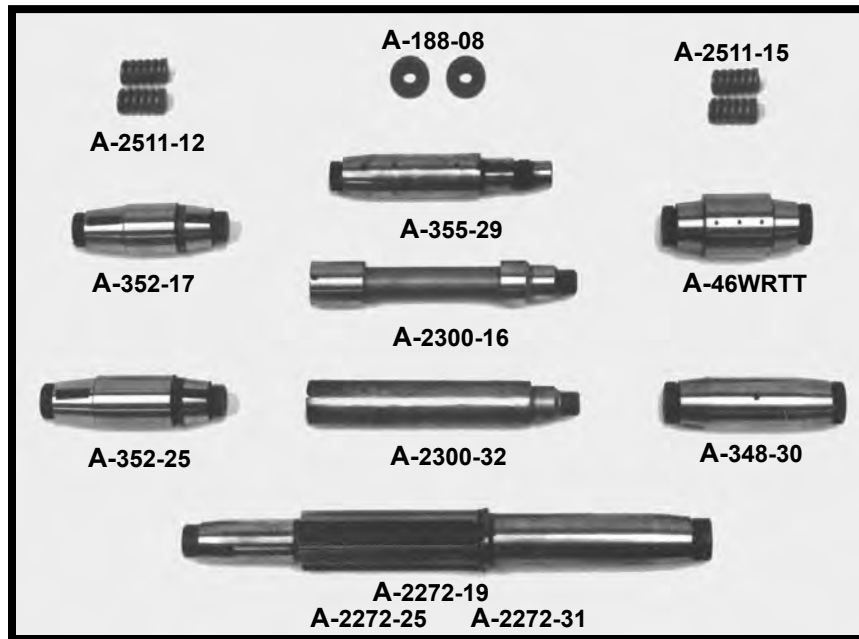
A-AA-19



A-413-37A



V-13-120



A-413-29



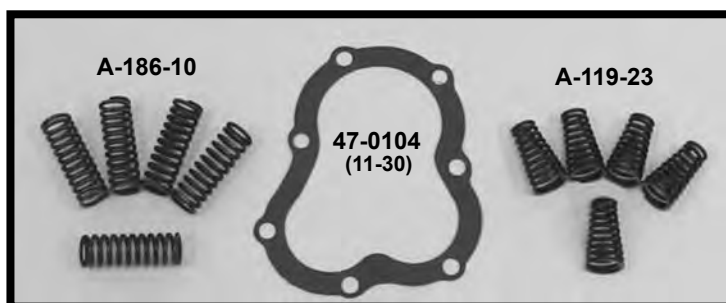
A-2272-33



# **\*\*EASTERN MOTORCYCLE PARTS\*\***

## **\*\*ANTIQUE MOTOR PARTS\*\***

### **\*\*PRE-1939\*\***



<u>EASTERN NUMBER</u>	<u>REPLACES OEM</u>	<u>DESCRIPTION</u>
A-AA-19	AA-19	each CRANK PIN (PRESS FIT) **1-OIL HOLE** SINGLES 1905-1913 <b>**EASTERNS**</b>
A-46-WRTT	46-WRTT	each CRANK PIN (WR-TT MODEL) **3-OIL HOLES** FORTY-FIVE <b>**EASTERNS**</b>
47-0104	11-30	pair HEAD GASKETS <b>**BLUE TEFLON**</b> (.050 THICK) BIG TWIN 1930-1935 <b>(VL MODEL)</b>
E-658-N	116-17	each VALVE <b>**INTAKE**</b> (NITRIDE FINISH) STD MOTORS 1917-1929, 61" FD & JD 1921-1924
E-659-N	117-23	each VALVE <b>**INTAKE**</b> (NITRIDE FINISH) DCA & DCB 1923-1924, 74" MOTORS 1925-1929
A-119-13	119-13	pk-5 VALVE SPRINGS <b>**INTAKE**</b> TWINS & SINGLES 1913-1914
A-119-15	119-15	pk-5 VALVE SPRINGS <b>**INTAKE**</b> TWINS & SINGLES 1915-1916
A-119-17	119-17	pk-5 VALVE SPRINGS <b>**INTAKE**</b> TWINS 1917-1923
A-119-23	119-23	pk-5 VALVE SPRINGS <b>**INTAKE**</b> TWINS 1923-1929
A-122-11	122-11	pair VALVE SPRING COLLAR, INTAKE <b>**UPPER**</b> BIG TWIN 1911-1929
A-123-23	123-23	pair VALVE SPRING LOCATING WASHER, <b>**JD MODELS**</b> BIG TWIN 1923-1929
A-125-12	125-12	pk-5 VALVE KEEPERS/LOCKS <b>**INTAKE**</b> (.500 LONG) 61" & 74" 1912-1929
A-140-17	140-17	pk-5 SPRINGS, INTAKE PUSH ROD, TWINS 1917-1929
A-163-29	163-29	each VALVE, <b>**INTAKE**</b> (NITRIDE FINISH) <b>**1-5/8" HEAD**</b> FORTY-FIVE 1929-1931
A-165-29	165-29	each VALVE, <b>**EXHAUST**</b> (NITRIDE FINISH) <b>**1-5/8" HEAD**</b> FORTY-FIVE 1929-1931
E-639-N	163-30	each VALVE <b>**INTAKE**</b> (NITRIDE FINISH) <b>(VL MODEL)</b> BIG TWIN 1930-1936
E-649-N	165-30	each VALVE <b>**EXHAUST**</b> (NITRIDE FINISH) <b>(VL MODEL)</b> BIG TWIN 1930-1936
A-166-26	* 166-26	each VALVE GUIDE, <b>STD</b> , (.565 O.D.) <b>*INT./EXHAUST*</b> SINGLES 1926-1934 <b>**EASTERNS**</b>
A-166-26-001*	166-26	each VALVE GUIDE, .001, (.566 O.D.) <b>*INT./EXHAUST*</b> SINGLES 1926-1934 <b>**EASTERNS**</b>
A-166-29A	* 166-29A	each VALVE GUIDE, <b>STD</b> , (.565 O.D.) <b>*INT./EXHAUST*</b> C-SINGLES 1929-1934 <b>**EASTERNS**</b>
A-166-32	* 166-32	each VALVE GUIDE, <b>STD</b> , (.565 O.D.) <b>*INT./EXHAUST*</b> 45" TWINS 1932-1935 <b>**EASTERNS**</b>
V-13-232	180-11	each VALVE <b>**EXHAUST**</b> (NITRIDE FINISH) <b>(JD MODEL)</b> TWINS 1910-1914, SINGLES 1910-1914
E-655-N	180-15	each VALVE <b>**EXHAUST**</b> (NITRIDE FINISH) STD MOTORS 1917-1929, 61" FD & JD 1921-1924
E-656-N	181-21	each VALVE <b>**EXHAUST**</b> (NITRIDE FINISH) 74" MOTORS 1921-1923, 61" MOTORS 1924-1929
V-13-120	184-25	pair VALVE GUIDE, <b>STD</b> , (.438 OD) <b>**EXHAUST**</b> (STD) TWINS 1924-1929 <b>**EASTERNS**</b>
A-186-10	186-10	pk-5 VALVE SPRINGS <b>**EXHAUST**</b> TWINS 1926-1932, SINGLES 1910-1929
A-188-08	188-08	pair VALVE SPRING COLLARS, <b>**UPPER**</b> BIG TWIN 1908-1929
A-190-11	190-11	pk-5 VALVE KEEPERS/LOCKS <b>**EXHAUST**</b> (.600 LONG) 61" & 74" 1911-1929
A-293-13	293-13	pair BUSHING, PISTON PINS (STD) BIG TWIN 1913-1923, FD & JD 1924-ONLY <b>**EASTERNS**</b>
A-293-13B	293-13	pair BUSHING, PISTON PINS (.002) BIG TWIN 1913-1923, FD & JD 1924-ONLY <b>**EASTERNS**</b>
A-293-13C	293-13	pair BUSHING, PISTON PINS (.005) BIG TWIN 1913-1923, FD & JD 1924-ONLY <b>**EASTERNS**</b>

**\*\*CONTINUED ON NEXT PAGE\*\***

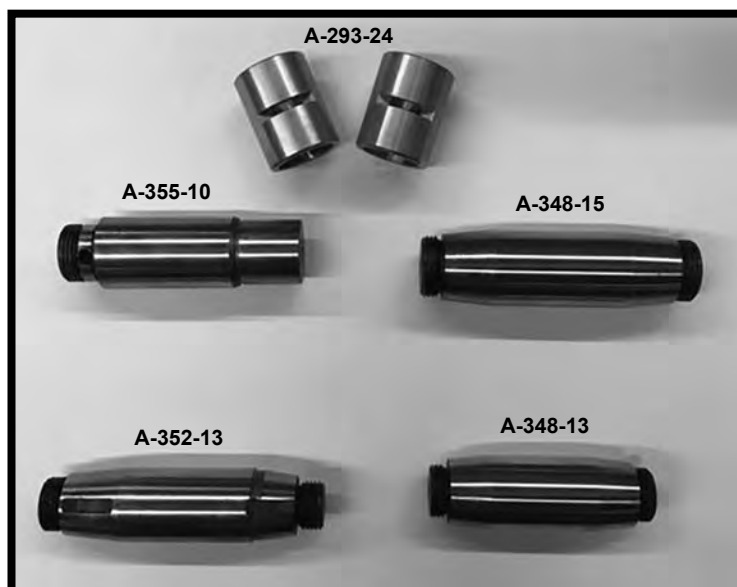
**\*5120 HILDA ROAD\* BLACKVILLE, S.C. 29817\* 803-284-3304\***

# **\*\*EASTERN MOTORCYCLE PARTS\*\***

## **\*\*ANTIQUE MOTOR PARTS\*\***

### **\*\*PRE-1939\*\***

<b><u>EASTERN NUMBER</u></b>	<b><u>REPLACES OEM</u></b>		<b><u>DESCRIPTION</u></b>
A-293-24	293-24	pair	BUSHING, PISTON PINS (STD) BIG TWIN 1924-1929 <b>**EASTERNS**</b>
A-293-24B	293-24	pair	BUSHING, PISTON PINS (.002) BIG TWIN 1924-1929 <b>**EASTERNS**</b>
A-293-24C	293-24	pair	BUSHING, PISTON PINS (.005) BIG TWIN 1924-1929 <b>**EASTERNS**</b>
A-293-31	293-31	pair	BUSHING, PISTON PINS (STD) FORTY-FIVE 1931-1936 <b>**EASTERNS**</b>
A-293-31B	293-31	pair	BUSHING, PISTON PINS (.002) FORTY-FIVE 1931-1936 <b>**EASTERNS**</b>
A-293-31C	293-31	pair	BUSHING, PISTON PINS (.005) FORTY-FIVE 1931-1936 <b>**EASTERNS**</b>
A-294-36A	294-36A	pair	BUSHING, PISTON PINS (STD) <b>**V.L's 74 &amp; 80**</b> BIG TWIN 1930-1936
A-294-36B	294-36B	pair	BUSHING, PISTON PINS (.002) <b>**V.L's 74 &amp; 80**</b> BIG TWIN 1930-1936
A-294-36C	294-36C	pair	BUSHING, PISTON PINS (.005) <b>**V.L's 74 &amp; 80**</b> BIG TWIN 1930-1936
A-348-13	348-13	each	CRANK PIN, (15/16" DIAMETER) <b>**NO-OIL HOLE**</b> (.060 HEAT TREAT) SINGLES 1913-ONLY
A-348-13T	348-13T	each	CRANK PIN, (.8765 O.D.) <b>**NO-OIL HOLE**</b> (.060 HEAT TREAT) TWINS 1913-1914
A-348-00T	348-13T	each	CRANK PIN, (.873 O.D.) <b>**NO-OIL HOLE**</b> (.060 HEAT TREAT) TWINS 1913-1914
A-348-15	348-15	each	CRANK PIN, (1" DIAMETER) <b>**NO-OIL HOLE**</b> (.060 HEAT TREATED) TWINS 1915-1929
A-348-30	348-30	each	CRANK PIN, (1" DIAMETER) <b>**1-OIL HOLE**</b> (.060 HEAT TREATED) BIG TWIN 1930-1936
A-348-30B	348-30	each	CRANK PIN, (1" DIAMETER) <b>**3-OIL HOLE**</b> (.060 HEAT TREATED) BIG TWIN 1930-1936
A-348-30C	348-30	each	CRANK PIN, (1" DIAMETER) <b>**2-OIL HOLE**</b> (.120 HEAT TREATED) BIG TWIN 1930-1936
A-348-36	348-36	each	CRANK PIN, (1-1/8" DIA.) <b>**1-OIL HOLE**</b> (.060 HEAT TREATED) BIG TWIN 1936-1939
A-348-36B	348-36	each	CRANK PIN, (1-1/8" DIA.) <b>**3-OIL HOLE**</b> (.060 HEAT TREATED) BIG TWIN 1936-1939
A-348-36C	348-36	each	CRANK PIN, (1-1/8" DIA.) <b>**2-OIL HOLE**</b> (.120 HEAT TREATED) BIG TWIN 1936-1939
A-352-13	352-13	each	SPROCKET SHAFT OR PULLY SHAFT SINGLES 1913-1917 <b>**EASTERNS*A-</b>
A-352-15	352-15	each	SPROCKET SHAFT, <b>**LEFT SIDE**</b> (.983 O.D.) BIG TWIN 1915-1916 <b>**EASTERNS**</b>
A-352-17	352-17	each	SPROCKET SHAFT, <b>**LEFT SIDE**</b> (1" O.D.) BIG TWIN 1917-1924 <b>**EASTERNS**</b>
A-352-25	352-25	each	SPROCKET SHAFT, <b>**LEFT SIDE**</b> BIG TWIN 1925-1929 <b>**EASTERNS**</b>
A-355-10	355-10	each	PINION SHAFT, <b>**BD MODELS**</b> BIG TWIN 1910-1912 <b>**EASTERNS**</b>
A-355-13	355-13	each	PINION SHAFT, <b>**9-E MODELS**</b> TWINS 1913-1914 <b>**EASTERNS**</b>
A-355-15	355-15	each	PINION SHAFT, <b>**JD MODELS**</b> BIG TWIN 1915-1929 <b>**EASTERNS**</b>
A-355-16	355-16	each	NUT, PINION SHAFT, <b>**VL MODELS**</b> (L/HAND THREAD) BIG TWIN 1930-1935



**\*\*CONTINUED ON NEXT PAGE\*\***

**\*5120 HILDA ROAD\* BLACKVILLE, S.C. 29817\* 803-284-3304\***

**\*Pg 6A\***

# **\*\*EASTERN MOTORCYCLE PARTS\*\***

## **\*\*ANTIQUE MOTOR PARTS\*\***

### **\*\*PRE-1939\*\***

<b>EASTERN NUMBER</b>	<b>REPLACES OEM</b>	<b>DESCRIPTION</b>
A-355-28	355-28	each PINION SHAFT, **JDH MODELS** BIG TWIN 1924-1929 <b>**EASTERNS**</b>
A-355-29	355-29	each PINION SHAFT, **RL MODELS** FORTY-FIVE 1929-1936 <b>**EASTERNS**</b>
A-355-30	355-30	each PINION SHAFT, **VL MODELS** (L/HAND THREAD) BIG TWIN 1930-1936 <b>**EASTERNS**</b>
A-364-29	364-29	pk-5 NUTS, MAINSHAFT, (FITS 2272-33 MAINSHAFT) FORTY-FIVE 1933-1940 <b>**EASTERNS**</b>
A-364-30	364-30	pk-5 PINION & SPROCKET SHAFT NUTS, (VL MODELS) BIG TWIN 1930-1936 <b>**EASTERNS**</b>
A-365-15	365-15	pair CRANK PIN NUTS, (74 & 80") **FOR 1" PIN** BIG TWIN 1921-1936
A-366-36	366-36	pair CRANK PIN NUTS, (61, 74 & 80") **FOR 1-1/8" PIN** BIG TWIN 1936-1940
A-413-15	413-15	each CASE BUSHING, **RIGHT SIDE** (BRONZE) BIG TWIN 1915-1926 <b>**EASTERNS**</b>
A-413-29	413-29	each CASE BUSHING, **RIGHT SIDE** (STD) (BRONZE) 45" TWINS 1929-1936 <b>**EASTERNS**</b>
A-413-29B	413-29	each CASE BUSHING, **RIGHT SIDE** (.002) (BRONZE) 45" TWINS 1929-1936 <b>**EASTERNS**</b>
A-413-30	413-30	each BUSHING, **RIGHT SIDE CRANKCASE** (BRONZE) BIG TWIN 1930-1936 <b>**EASTERNS**</b>
A-413-36	413-36	each CASE BUSHING, **RIGHT SIDE** (STD) **SIDE VALVE** BIG TWIN 1936-1939 <b>**EASTERNS**</b>
A-413-36B	413-36B	each CASE BUSHING, **RIGHT SIDE** (.002) **SIDE VALVE** BIG TWIN 1936-1939 <b>**EASTERNS**</b>
A-413-36C	413-36C	each CASE BUSHING, **RIGHT SIDE** (.005) **SIDE VALVE** BIG TWIN 1936-1939 <b>**EASTERNS**</b>
A-413-36D		each CASE BUSHING, **RIGHT SIDE** (.010) **SIDE VALVE** BIG TWIN 1936-1939 <b>**EASTERNS**</b>
A-413-36E		each CASE BUSHING, **RIGHT SIDE** (.015) **SIDE VALVE** BIG TWIN 1936-1939 <b>**EASTERNS**</b>
A-413-37A	413-37A	each CASE BUSHING, **RIGHT SIDE** (STD) FORTY-FIVE 1937-1938 <b>**EASTERNS**</b>
A-413-37B		each CASE BUSHING, **RIGHT SIDE** (.002) FORTY-FIVE 1937-1938 <b>**EASTERNS**</b>
A-413-37C		each CASE BUSHING, **RIGHT SIDE** (.005) FORTY-FIVE 1937-1938 <b>**EASTERNS**</b>
A-413-37D		each CASE BUSHING, **RIGHT SIDE** (.010) FORTY-FIVE 1937-1938 <b>**EASTERNS**</b>
A-416-17	416-17	each CASE BUSHING, **LEFT SIDE** (STD) **61 & 74" TWINS 1917-1924 <b>**EASTERNS**</b>
A-416-17B	416-17	each CASE BUSHING, **LEFT SIDE** (.002) **61 & 74" TWINS 1917-1924 <b>**EASTERNS**</b>
A-416-17C	416-17	each CASE BUSHING, **LEFT SIDE** (.005) **61 & 74" TWINS 1917-1924 <b>**EASTERNS**</b>
A-416-25	416-25	each CASE BUSHING, **LEFT SIDE** (STD) **61 & 74" TWINS 1925-1929 <b>**EASTERNS**</b>
A-416-25B	416-25	each CASE BUSHING, **LEFT SIDE** (.002) **61 & 74" TWINS 1925-1929 <b>**EASTERNS**</b>
A-416-25C	416-25	each CASE BUSHING, **LEFT SIDE** (.005) **61 & 74" TWINS 1925-1929 <b>**EASTERNS**</b>
A-416-29	416-29	each CASE BUSHING, **LEFT SIDE** (STD) **DL & RL SERIES*, 45 TWINS 1929-1936 <b>EASTERNS</b>
A-416-29A	416-29	each CASE BUSHING, **LEFT SIDE** (.002) **DL & RL SERIES*, 45 TWINS 1929-1936 <b>EASTERNS</b>
A-416-29B	416-29	each CASE BUSHING, **LEFT SIDE** (.005) **DL & RL SERIES*, 45 TWINS 1929-1936 <b>EASTERNS</b>
A-416-30	416-30	each CASE BUSHING, **LEFT SIDE** (STD) **SIDE VALVE** BIG TWIN 1930-1936 <b>**EASTERNS**</b>
A-416-30B	416-30B	each CASE BUSHING, **LEFT SIDE** (.002) **SIDE VALVE** BIG TWIN 1930-1936 <b>**EASTERNS**</b>
A-416-30C	416-30C	each CASE BUSHING, **LEFT SIDE** (.005) **SIDE VALVE** BIG TWIN 1930-1936 <b>**EASTERNS**</b>
A-416-30D	416-30D	each CASE BUSHING, **LEFT SIDE** (.010) **SIDE VALVE** BIG TWIN 1930-1936 <b>**EASTERNS**</b>
A-416-36	416-36	each CASE BUSHING, **LEFT SIDE** (STD) **SIDE VALVE** BIG TWIN 1936-1939 <b>**EASTERNS**</b>
A-416-36B	416-36B	each CASE BUSHING, **LEFT SIDE** (.002) **SIDE VALVE** BIG TWIN 1936-1939 <b>**EASTERNS**</b>
A-416-36C	416-36C	each CASE BUSHING, **LEFT SIDE** (.005) **SIDE VALVE** BIG TWIN 1936-1939 <b>**EASTERNS**</b>
A-416-36D		each CASE BUSHING, **LEFT SIDE** (.010) **SIDE VALVE** BIG TWIN 1936-1939 <b>**EASTERNS**</b>
A-416-37	416-37	each CASE BUSHING, **LEFT SIDE** (STD) **FLATHEAD** FORTY-FIVE 1937-1938 <b>**EASTERNS**</b>
A-416-37D	416-37	each CASE BUSHING, **LEFT SIDE** (.010) **FLATHEAD** FORTY-FIVE 1937-1938 <b>**EASTERNS**</b>

**\*\*CONTINUED ON NEXT PAGE\*\***



**\*5120 HILDA ROAD\* BLACKVILLE, S.C. 29817\* 803-284-3304\***

# \*\*EASTERN MOTORCYCLE PARTS\*\*

## \*\*ANTIQUE MOTOR PARTS\*\*

\*\*PRE-1939\*\*



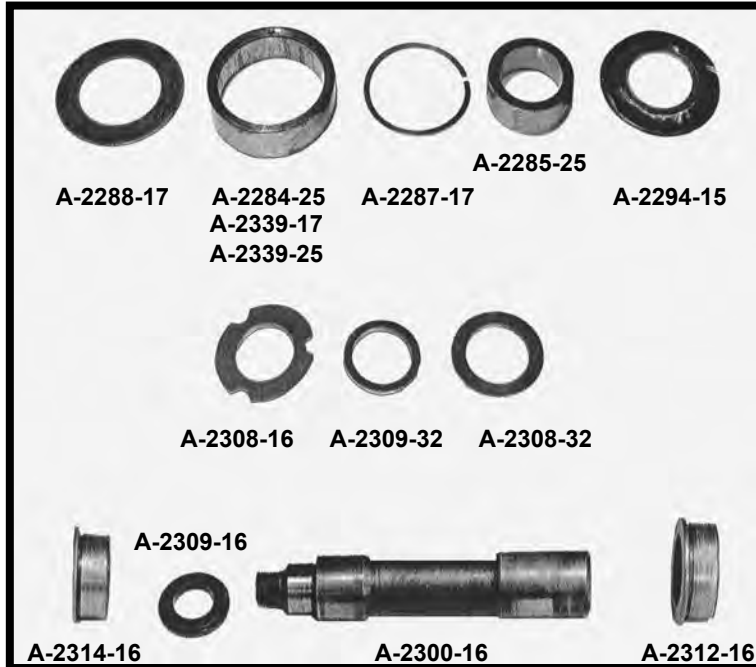
A-2284-17



A-35613-33  
2300-33



A-2285-17



A-2288-17

A-2284-25  
A-2339-17  
A-2339-25

A-2287-17

A-2285-25

A-2294-15

A-2308-16

A-2309-32

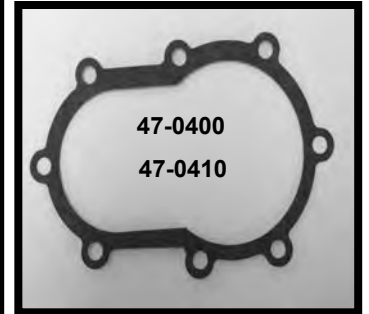
A-2308-32

A-2309-16

A-2314-16

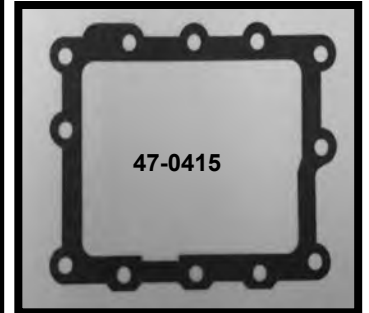
A-2300-16

A-2312-16



47-0400

47-0410



47-0415

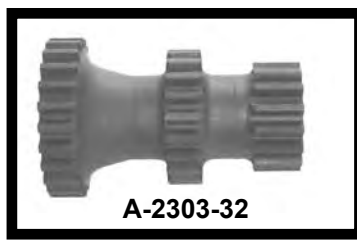
<u>EASTERN NUMBER</u>	<u>REPLACES OEM</u>	<u>DESCRIPTION</u>
A-416-37B	416-37	each CASE BUSHING, **LEFT SIDE** (.002) **FLATHEAD** FORTY-FIVE 1937-1938 <b>**EASTERNS**</b>
A-416-37C	416-37	each CASE BUSHING, **LEFT SIDE** (.005) **FLATHEAD** FORTY-FIVE 1937-1938 <b>**EASTERNS**</b>
A-660-29	660-29	each BUSHING, CAM GEAR SHAFT, LEFT SIDE, **BRONZE** FORTY-FIVE 1929-1936
A-660-30	660-30	each BUSHING, CAM GEAR SHAFT, **BRONZE** BIG TWIN 1930-1936
A-662-26	662-26	each BUSHING, CAM GEAR SHAFT, RIGHT SIDE, **BRONZE** F/F 1929-'33, SINGLES 1926-1934
A-662-29	662-29	each BUSHING, TIMER SHAFT, **RIGHT SIDE** BIG TWIN 1930-1936, FORTY-FIVE 1930-1936
A-662-30	662-30	each BUSHING, CAM GEAR SHAFT, **R/SIDE** BIG TWIN 1930-1936, FORTY-FIVE 1934-1936
A-662-34	662-34	each BUSHING, OILER DRIVE SHAFT, **R/SIDE** BIG TWIN 1934-1936, FORTY-FIVE 1934-1936
A-663-26	663-26	pk-10 SHIMS, CAM GEAR, (1/64" THICK) **RED FIBER** SIDE VALVE 1930-1936
A-664-26	664-26	pk-10 SHIMS, CAM GEAR, (1/32" THICK) **RED FIBER** SIDE VALVE 1930-1936
A-7925	7925	pk-5 NUT, COUNTERSHAFT **VL** BIG TWIN 1916-1936
A-1115-29	1115-29	pair NUTS, INTAKE MANIFOLD, **ZINC PLATED** FORTY-FIVE 1929-1931
A-1118-29	1118-29	pair INLET PACKING BUSHING, (FITS 1115-29 NUTS) **BRASS** FORTY-FIVE 1929-1931
A-2035-15	2035-15	each SPROCKET, COUNTERSHAFT **JD & VL MODELS** (28-TOOTH) BIG TWIN 1915-1936
47-0400	2132-16	pk-5 GASKETS, STARTER COVER, (VL MODELS) BIG TWIN 1916-1925 <b>**MADE IN U.S.A.**</b>
47-0410	2132-26	pk-5 GASKETS, STARTER COVER, (VL MODELS) BIG TWIN 1926-1936 <b>**MADE IN U.S.A.**</b>
A-2163-15	2163-15	each WASHER, (COPPER) OIL RETAINER, LEFT SIDE <b>**SMALL**</b> BIG TWIN 1915-1936
47-0415	2261-15	pk-5 GASKETS, TRANS TOP COVER, (VL MODELS) BIG TWIN 1915-1936 <b>**MADE IN U.S.A.**</b>
A-2272-15	2272-15	each MAINSHAFT, (9.160 LONG) **F, FD, J & JD MODELS** BIG TWIN 1915-1918 <b>**EASTERNS**</b>
A-2272-19	2272-19	each MAINSHAFT, (10.070 LONG) **F, FD, J & JD MODELS** BIG TWIN 1919-1924 <b>**EASTERNS**</b>
A-2272-25	2272-25	each MAINSHAFT, (10.535 LONG) **J & JD MODELS** BIG TWIN 1925-1929 <b>**EASTERNS**</b>
A-2272-00		each BUSHING, SPLIT (FOR MAINSHAFT 2272-25) **J & JD MODELS**** BIG TWIN 1925-1929
A-2272-31	2272-31	each MAINSHAFT, (10.655 LONG) **V,VL,VLD & VLH MODELS** BIG TWIN 1931-1936 <b>**EASTERN**</b>
A-2272-33	2272-33	each MAINSHAFT, (6.750 LONG) <b>**NUT# 364-29**</b> FORTY-FIVE 1933-1940 <b>**EASTERNS**</b>
A-2274-15	2274-15	pk-5 NUT, STARTER CLUTCH TO MAINSHAFT (VL MODELS) BIG TWIN 1915-1929
A-2275-15	2275-15	each NUT, CLUTCH HUB TO MAINSHAFT (F,J MODELS) BIG TWIN 1915-1918
A-2275-19	2275-19	each NUT, CLUTCH HUB TO MAINSHAFT (VL MODELS) BIG TWIN 1919-1929
A-2275-30	2275-30	each NUT, STARTER CLUTCH TO MAINSHAFT (VL MODEL) BIG TWIN 1930-1936
A-2284-17	2284-17	each BEARING RACE, (OUTER) <b>**480 WIDE**</b> (VL MODELS) BIG TWIN 1917-1924
A-2285-17	2285-17	each BEARING RACE, (INNER) <b>**482 WIDE**</b> (VL MODELS) BIG TWIN 1917-1924
A-2284-25	2284-25	each BEARING RACE, (OUTER) <b>**700 WIDE**</b> (VL MODELS) BIG TWIN 1925-1936
A-2285-25	2285-25	each BEARING RACE, (INNER) <b>**700 WIDE**</b> (VL MODELS) BIG TWIN 1925-1936

# \*\*EASTERN MOTORCYCLE PARTS\*\*

## \*\*ANTIQUE MOTOR PARTS\*\*

**\*\*PRE-1939\*\***

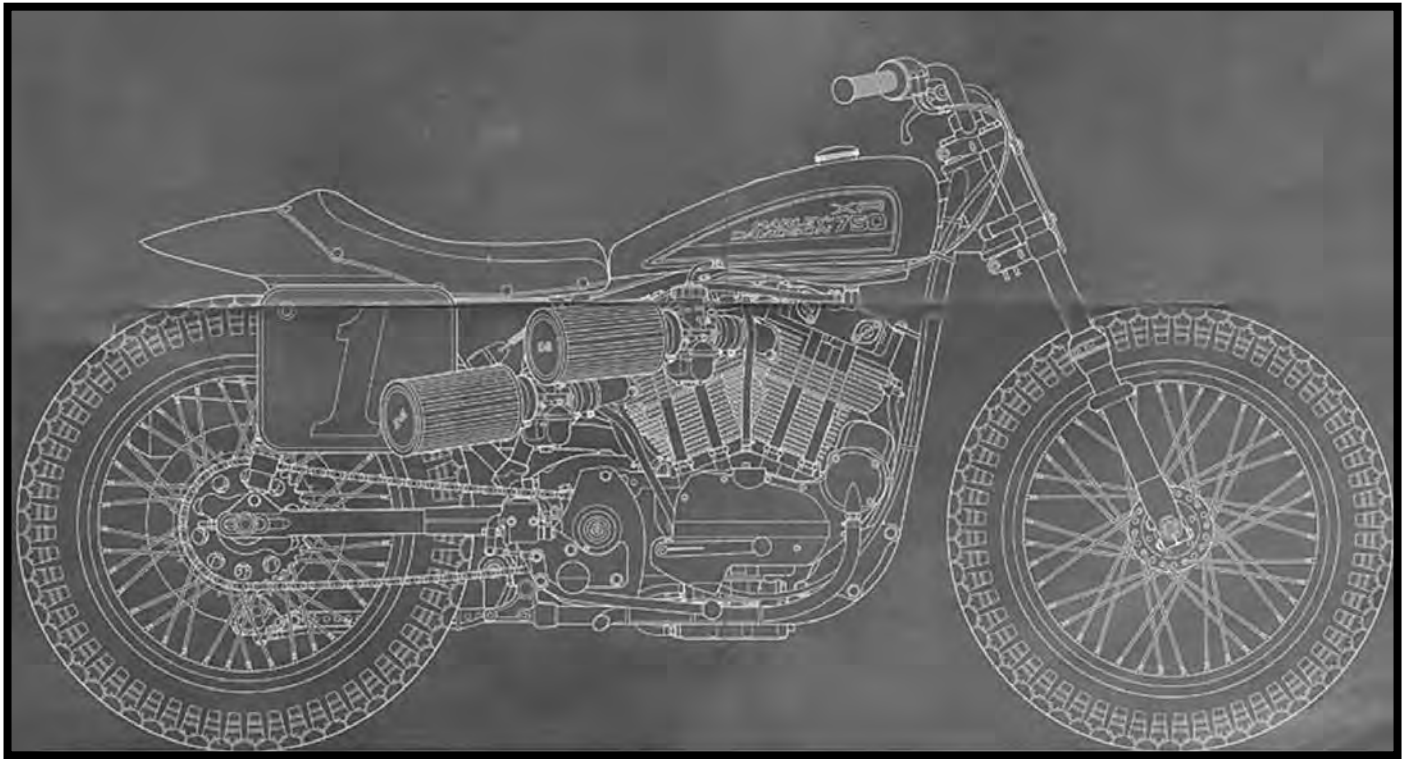
<b>EASTERN NUMBER</b>	<b>REPLACES OEM</b>	<b>DESCRIPTION</b>
A-2287-17	2287-17	pk-10 RETAINING RING, OUTER BEARING RACE (VL MODELS) BIG TWIN 1917-1936
A-2288-17	2288-17	pk-5 THRUST WASHER, OUTER BEARING RACE (VL MODELS) BIG TWIN 1917-1936
A-2294-15	2294-15	each WASHER, (COPPER) OIL RETAINER, LEFT SIDE <b>**LARGE**</b> BIG TWIN 1915-1936
A-2298-15	2298-15	each GEAR, MAINSHAFT SLIDER <b>**VL MODEL** (3-SPEED)</b> BIG TWIN 1916-1936
A-2300-16	2300-16	each COUNTERSHAFT, (J, JD, V, VL MODELS) BIG TWIN 1916-1931 <b>**EASTERNS**</b>
A-2300-32	2300-32	each COUNTERSHAFT, (V,VL,VLH MODELS) BIG TWIN 1932-1936
A-35613-33	2300-33	each COUNTERSHAFT, FORTY-FIVE 1933-1940 <b>**MADE IN U.S.A.**</b>
A-2303-32	2303-32	each CLUSTER GEAR, COUNTERSHAFT, (V,VL,VLH MODELS) BIG TWIN 1931-1936
A-2308-16	2308-16	pk-5 THRUST WASHERS, COUNTERSHAFT END PLAY <b>**076 THICK**</b> BIG TWIN 1916-1936
A-2308-16A	2308-16	pk-5 THRUST WASHERS, COUNTERSHAFT END PLAY <b>**080 THICK**</b> BIG TWIN 1916-1936
A-2308-16B	2308-16	pk-5 THRUST WASHERS, COUNTERSHAFT END PLAY <b>**084 THICK**</b> BIG TWIN 1916-1936
A-2308-16C	2308-16	pk-5 THRUST WASHERS, COUNTERSHAFT END PLAY <b>**088 THICK**</b> BIG TWIN 1916-1936
A-2308-16D	2308-16	pk-5 THRUST WASHERS, COUNTERSHAFT END PLAY <b>**092 THICK**</b> BIG TWIN 1916-1936
A-2308-16E	2308-16	pk-5 THRUST WASHERS, COUNTERSHAFT END PLAY <b>**096 THICK**</b> BIG TWIN 1916-1936
A-2308-16F	2308-16	pk-5 THRUST WASHERS, COUNTERSHAFT END PLAY <b>**100 THICK**</b> BIG TWIN 1916-1936
A-2308-KIT		kit-7 THRUST WASHERS, COUNTERSHAFT END PLAY <b>**076 to.100**</b> BIG TWIN 1916-1936 <b>KIT INCLUDES: (1each) .076, .080, .084, .088, .092, .096, .100</b>
A-2308-32	2308-32	pk-5 THRUST WASHER, COUNTERSHAFT, OUTER <b>**081 THICK**</b> BIG TWIN 1932-1936
A-2309-16	2309-16	pk-5 COUNTERSHAFT BEARING COLLAR (VL MODEL) BIG TWIN 1916-1936
A-2309-32	2309-32	pk-5 THRUST WASHER, COUNTERSHAFT, INNER <b>**063 THICK**</b> BIG TWIN 1932-1936
A-2312-16	2312-16	each COUNTERSHAFT BUSHING, LEFT SIDE <b>**STD** (VL MODELS)</b> BIG TWIN 1916-1936
A-2312-16B	2312-16	each COUNTERSHAFT BUSHING, LEFT SIDE <b>**002** (VL MODELS)</b> BIG TWIN 1916-1936
A-2312-16C	2312-16	each COUNTERSHAFT BUSHING, LEFT SIDE <b>**005** (VL MODELS)</b> BIG TWIN 1916-1936
A-2314-16	2314-16	each COUNTERSHAFT BUSHING, RIGHT SIDE <b>**STD** (VL MODELS)</b> BIG TWIN 1916-1936
A-2314-16B	2314-16	each COUNTERSHAFT BUSHING, RIGHT SIDE <b>**002** (VL MODELS)</b> BIG TWIN 1916-1936
A-2314-16C	2314-16	each COUNTERSHAFT BUSHING, RIGHT SIDE <b>**005** (VL MODELS)</b> BIG TWIN 1916-1936
A-2339-17	2339-17	each SPACER, SPROCKET SHAFT, (VL MODELS) BIG TWIN 1917-1924 <b>**MADE IN U.S.A.**</b>
A-2339-25	2339-25	each SPACER, SPROCKET SHAFT, (VL MODELS) BIG TWIN 1925-1936 <b>**MADE IN U.S.A.**</b>
A-2446-33	2446-33	each CLUTCH PUSH ROD, THRU-MAINSHAFT, FORTY-FIVE 1933-1940
V-13-219	* 24720-29	pair RETAINERS (ONLY) <b>**366 WIDE**</b> SINGLES 1926-1934
A-2500-19	2500-19	pk-5 THRUST WASHERS, CLUTCH BEARING (J,JD) <b>**090 THICK**</b> BIG TWIN 1919-1929
A-2500-19A	2500-19A	pk-5 THRUST WASHERS, CLUTCH BEARING (J,JD) <b>**095 THICK**</b> BIG TWIN 1919-1929
A-2500-19B	2500-19B	pk-5 THRUST WASHERS, CLUTCH BEARING (J,JD) <b>**100 THICK**</b> BIG TWIN 1919-1929
A-2500-19C	2500-19C	pk-5 THRUST WASHERS, CLUTCH BEARING (J,JD) <b>**105 THICK**</b> BIG TWIN 1919-1929
A-2500-19D	2500-19D	pk-5 THRUST WASHERS, CLUTCH BEARING (J,JD) <b>**110 THICK**</b> BIG TWIN 1919-1929
A-2500-19E	2500-19E	pk-5 THRUST WASHERS, CLUTCH BEARING (J,JD) <b>**115 THICK**</b> BIG TWIN 1919-1929
A-2500-19F	2500-19F	pk-5 THRUST WASHERS, CLUTCH BEARING (J,JD) <b>**120 THICK**</b> BIG TWIN 1919-1929
A-2500-SET	2500-19	set-7 THRUST WASHERS, CLUTCH BEARING <b>**090-.120 THICK**</b> BIG TWIN 1919-1929 <b>KIT INCLUDES: (1each) .090, .095, .100, .105, .110, .115, .120</b>
A-2511-12	2511-12	set-6 CLUTCH SPRINGS, <b>**SINGLES &amp; TWINS**</b> BIG TWIN 1912-1914
A-2511-15	2511-15	set-6 CLUTCH SPRINGS, <b>**TWINS ONLY**</b> BIG TWIN 1915-1927
A-2569-15	2569-15	pair UPPER FORK SPRING CAPS <b>**NICKLE PLATED**</b> SINGLES & TWINS 1915-1929
A-2964-23	2964-23	each SPRINGS, REAR BRAKE LEVER <b>**BLACK**</b> TWINS 1923-1929, 45" TWINS 1930-1931
A-3113-29	3113-29	each BUSHING, SEAT POST IN FRAME, FORTY-FIVE 1929-1973, VL's 1930-1936
Y-21-110	4735-30	each WIRING HARNESS, COMPLETE, VL's 1930-1936 <b>**MADE IN U.S.A.**</b>
A-37647-33	37647-33/ 2531-33	each LOCKNUT, INNER DRIVE DISC, FORTY-FIVE 1933-1940, REVERSE 1933-1940 <b>**MADE IN U.S.A.**</b>
A-60640-29	60640-29	pk-10 SPRINGS, INNER PRIMARY COVER, BIG TWIN 1929-1957



\*5120 HILDA ROAD\* BLACKVILLE, S.C. 29817\* 803-284-3304\*

**\*\*EASTERN MOTORCYCLE PARTS\*\***

**\*\*XR-750 PARTS\*\***



**\*5120 HILDA ROAD\* BLACKVILLE, S.C. 29817\* 803-284-3304\***

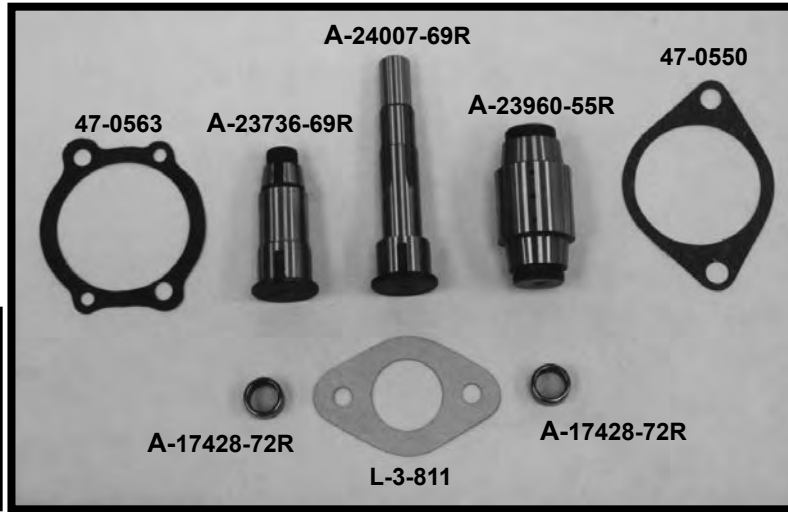
# **\*\*EASTERN MOTORCYCLE PARTS\*\***

## **\*\*XR-750 PARTS\*\***

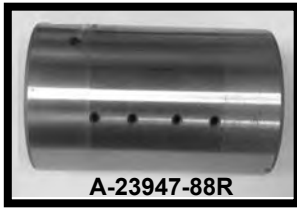
### **\*\*SPORTSTER 1956-1995\*\***



A-23962-87R



A-23962-88R



A-23947-88R



42-0120

<u>EASTERN NUMBER</u>	<u>REPLACES OEM</u>	<u>DESCRIPTION</u>
A-11110	11110	pk-10 O-RING, ROCKER ARM SHAFT, SPORTSTER 1972-1988
A-11115	11115	pk-10 O-RING, ROCKER ARM SHAFT, SPORTSTER 1972-1995
A-11159	11159	pk-10 O-RING, OIL PUMP UPPER COVER, SPORTSTER 1989-1995
A-12021	12021	pk-5 OIL SEAL, CLUTCH GEAR, SPORTSTER 1972-1995
A-12023	12023	pk-5 OIL SEAL, PUSH ROD COVER, SPORTSTER 1972-1995
A-12043	12043	pk-5 OIL SEAL, ROTOR SHAFT, SPORTSTER 1989-1995
42-0120	16248-89R	set-10 FLYWHEEL THRUST WASHERS, (.035-.055 THICK) <b>**XR-750**</b> 1989-PRES. <b>SET INCLUDES: (2 of each) .035, .040, .045, .050, .055</b>
L-3-964	16774-72R	pk-10 GASKET, CYLINDER BASE, SPORTSTER 1972-1995
L-3-285	17026-75R	kit GASKET KIT, COMPLETE MOTOR ( <b>WITHOUT HEAD GASKET</b> ) SPORTSTER 1972-1995
A-17428-72R	17428-72R	each BEARING, ROCKER ARM SHAFT, SPORTSTER 1972-1995
E-662-N	18070-59R	each VALVE <b>**INTAKE**</b> (NITRIDE FINISH) <b>**R-VALVE**</b> (KR,KRTT) K-MODEL 1952 & UP
E-664-N	18080-59R	each VALVE <b>**EXHAUST**</b> (NITRIDE FINISH) <b>**R-VALVE**</b> (KR,KRTT) K-MODEL 1952 & UP
V-13-127	18221-79R	set-4 COLLAR, UPPER VALVE SPRING <b>**ALUMINUM**</b> XR-750 1980-UP
V-13-129	18230-93R	set-4 COLLAR, UPPER VALVE SPRING <b>**ALUMINUM**</b> XR-750 1993-UP
A-23736-69R	23736-69R	each SPROCKET SHAFT <b>**LEFT SIDE**</b> SPORTSTER 1972-1995, <b>**EASTERNS**</b>
A-23947-87R	23947-87R	each CRANK PIN, <b>**4-OIL HOLES**</b> (STD) <b>**XR-750**</b> 1972-1988 <b>**EASTERNS**</b>
A-23973-87R	23973-87R	each CRANK PIN, <b>**4-OIL HOLES**</b> (.002 O/S) <b>**XR-750**</b> 1972-1988 <b>**EASTERNS**</b>
A-23975-87R	23975-87R	each CRANK PIN, <b>**4-OIL HOLES**</b> (.004 O/S) <b>**XR-750**</b> 1972-1988 <b>**EASTERNS**</b>
A-23962-87R	23962-87R	pair PLUG, CRANK PIN, (.751 DIAMETER) <b>**XR-750**</b> 1972-1988 <b>EASTERNS</b>
A-23947-88R	23947-88R	each CRANK PIN, <b>**4-OIL HOLES**</b> (STD) <b>**XR-750**</b> 1989-P. <b>**EASTERNS**</b>
A-23977-88R	23977-88R	each CRANK PIN, <b>**4-OIL HOLES**</b> (.001 O/S) <b>**XR-750**</b> 1989-P. <b>**EASTERNS</b>
A-23978-88R	23978-88R	each CRANK PIN, <b>**4-OIL HOLES**</b> (.002 O/S) <b>**XR-750**</b> 1989-P. <b>**EASTERNS</b>
A-23980-88R	23980-88R	each CRANK PIN, <b>**4-OIL HOLES**</b> (.004 O/S) <b>**XR-750**</b> 1989-P. <b>**EASTERNS</b>
A-23962-88R	23962-88R	pair PLUG, CRANK PIN, (.901 DIAMETER) <b>**XR-750**</b> 1989-P. <b>**EASTERNS**</b>
A-23960-55R	23960-55R	each CRANK PIN <b>**3-OIL HOLES**</b> SPORTSTER, <b>**EASTERNS**</b>
A-24007-69R	24007-69R	each PINION SHAFT, SPORTSTER XR-750 <b>**EASTERNS**</b>
A-24386-94R	24386-94R	each BEARING, MAINSHAFT, <b>**XR-750**</b> 1989-PRES.
47-0571	24821-74R	pk-10 GASKET, OIL SUMP PLATE, SPORTSTER 1975-1995
L-3-835	25224-52A	pk-10 GASKET, CAM GEAR COVER, SPORTSTER 1972-1995
A-26227-58	26227-58	pk-5 OIL SEAL, OIL PUMP BODY, SPORTSTER 1972-1995

**\*\*XR-750 PARTS CONTINUED NEXT PAGE\*\***

**\*5120 HILDA ROAD\* BLACKVILLE, S.C. 29817\* 803-284-3304\***

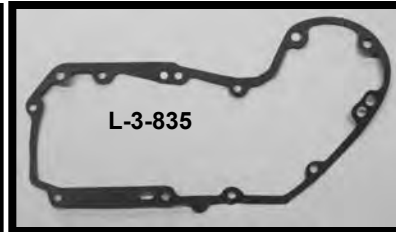
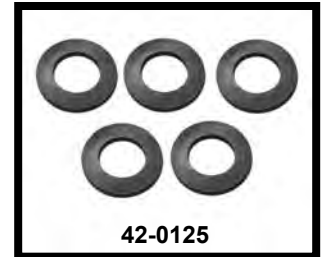
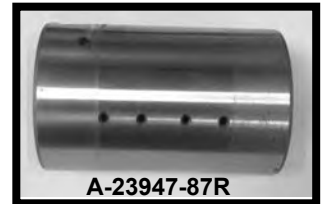
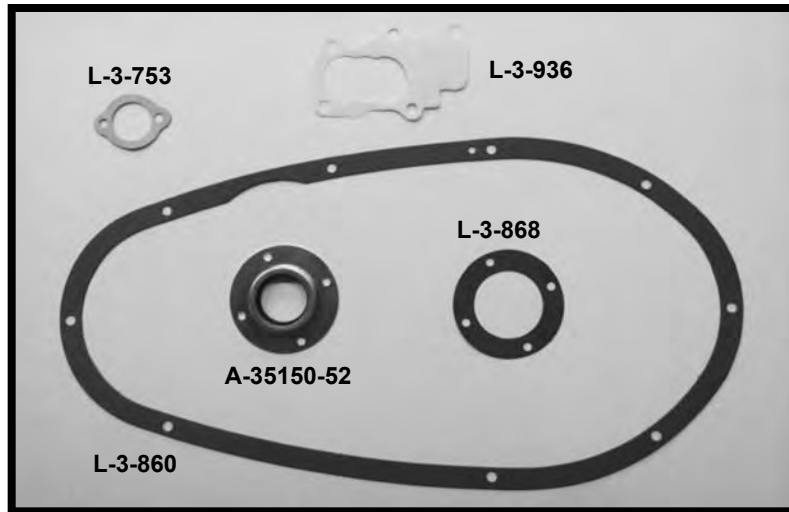
**\*Pg 10\***



# **\*\*EASTERN MOTORCYCLE PARTS\*\***

## **\*\*XR-750 PARTS\*\***

### **\*\*SPORTSTER 1956-1995\*\***



<b>EASTERN NUMBER</b>	<b>REPLACES OEM</b>	<b>DESCRIPTION</b>
L-3-936	26258-52	pk-10 GASKET, OIL PUMP BODY **LOWER COVER** SPORTSTER 1972-1988
L-3-811	27015-72R	pk-10 GASKET, MANIFOLD, SPORTSTER 1972-1988
47-0550	29600-56R	pk-10 GASKET, MAGNETO To ADAPTER, SPORTSTER 1956-1978
47-0563	29602-56R	pk-10 GASKET, MAGNETO ADAPTER, SPORTSTER 1956-1978
L-3-753	32522-37	pk-10 GASKET, TACHOMETER DRIVE, SPORTSTER 1972-1995
A-34035-52	34035-52	pk-5 OIL SEAL, SHIFTER SHAFT, SPORTSTER 1972-1995
L-3-860	34952-52	pk-10 GASKET, PRIMARY COVER, (.030 THICK) **JAMES** SPORTSTER 1952-1969
L-3-861	34952-52A	pk-10 GASKET, PRIMARY COVER, (.062 THICK) **JAMES** SPORTSTER 1952-1969
A-35150-52	35150-52	each OIL AND RETAINER, SPORTSTER 1972-1983
A-35151-52A	35151-52A	pk-5 OIL SEAL, TRANSMISSION, SPORTSTER 1972-1995
L-3-868	35169-52	pk-10 GASKET, TRANSMISSION MAINSHAFT, SPORTSTER 1972-1983
42-0125	35412-74R	pk-5 THRUST WASHER, CAM GEAR (.075) **XR-750** 1975-1992 **MADE IN USA**
42-0126	35413-74R	pk-5 THRUST WASHER, CAM GEAR (.070) **XR-750** 1975-1992 **MADE IN USA**
42-0127	35414-74R	pk-5 THRUST WASHER, CAM GEAR (.065) **XR-750** 1975-1992 **MADE IN USA**
42-0128	35415-74R	pk-5 THRUST WASHER, CAM GEAR (.060) **XR-750** 1975-1992 **MADE IN USA**
42-0129	35416-74R	pk-5 THRUST WASHER, CAM GEAR (.055) **XR-750** 1975-1992 **MADE IN USA**
42-0130	35417-74R	pk-5 THRUST WASHER, CAM GEAR (.050) **XR-750** 1975-1992 **MADE IN USA**
42-0131	35418-74R	pk-5 THRUST WASHER, CAM GEAR (.045) **XR-750** 1975-1992 **MADE IN USA**
42-0132		set-7 THRUST WASHER SET, CAM GEAR (.045-.075) **XR-750** SPORTSTER 1975-1992 <b>SET INCLUDES: (1 each) .045, .050, .055, .060, .065, .070, .075</b>
44-0514	37534-89R	each INNER RACE, CLUTCH HUB **XR-750** 1989-PRESENT **MADE IN USA**
L-3-866	37762-52	pk-10 GASKET, CLUTCH COVER, SPORTSTER 1972-1995
A-41835-57R	41835-57R	pair SPRINGS, BRAKE SHOES OR EXHAUST, **BLACK** **XR-750** 1972-1988
L-3-970	67142-52	pk-10 GASKET, VALVE ADJUSTING PLUG, SPORTSTER 1972-1995

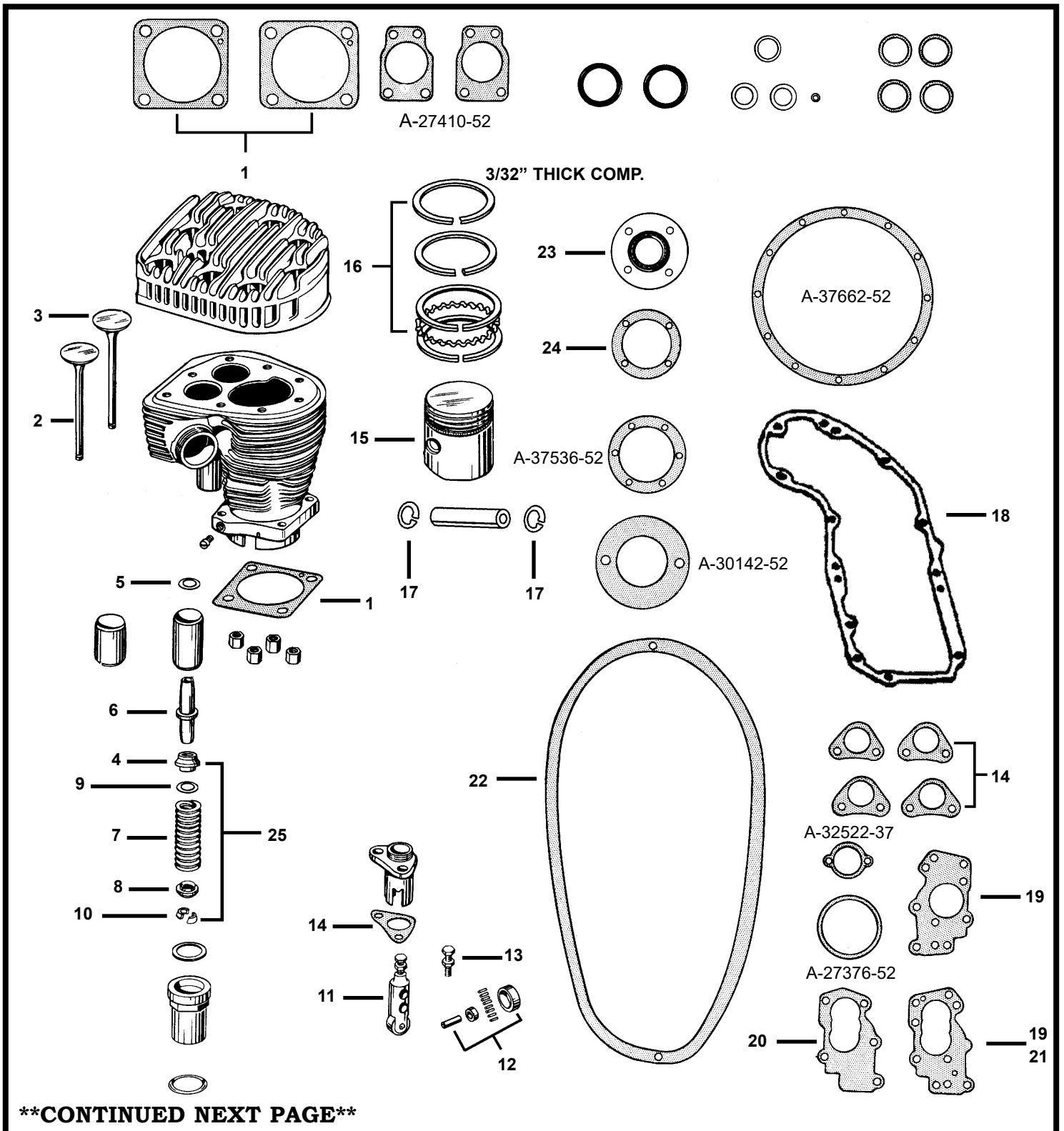


# \*\*EASTERN MOTORCYCLE PARTS\*\*

## \*\*CYLINDER HEAD\*\*

\*\*K-KH MODELS\*\*

\*\*SPORTSTER 1952-1956\*\*



\*\*CONTINUED NEXT PAGE\*\*



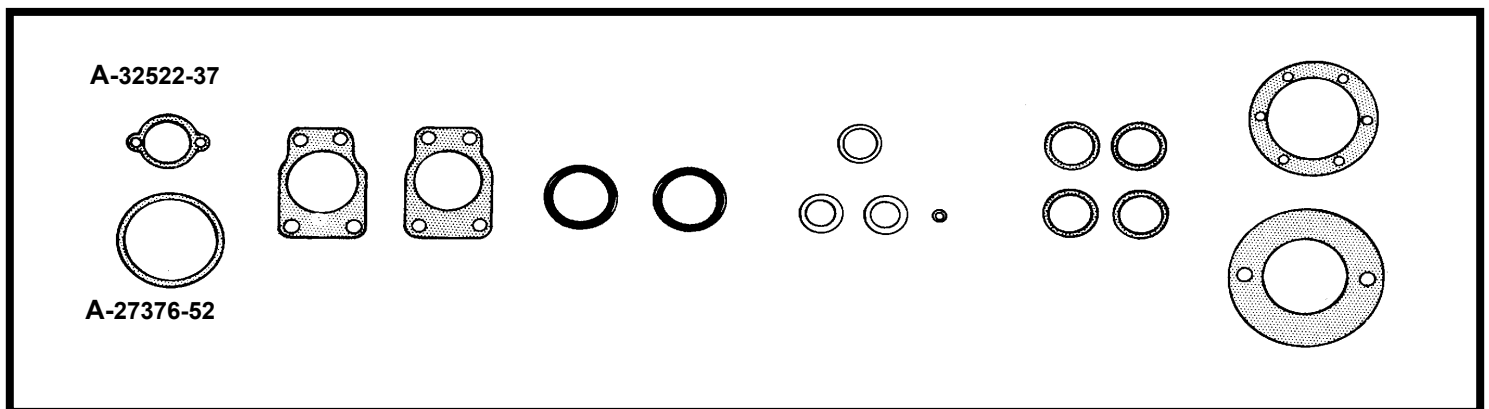
# **\*\*EASTERN MOTORCYCLE PARTS\*\***

## **\*\*CYLINDER HEAD\*\***

### **\*\*K-KH MODELS\*\***

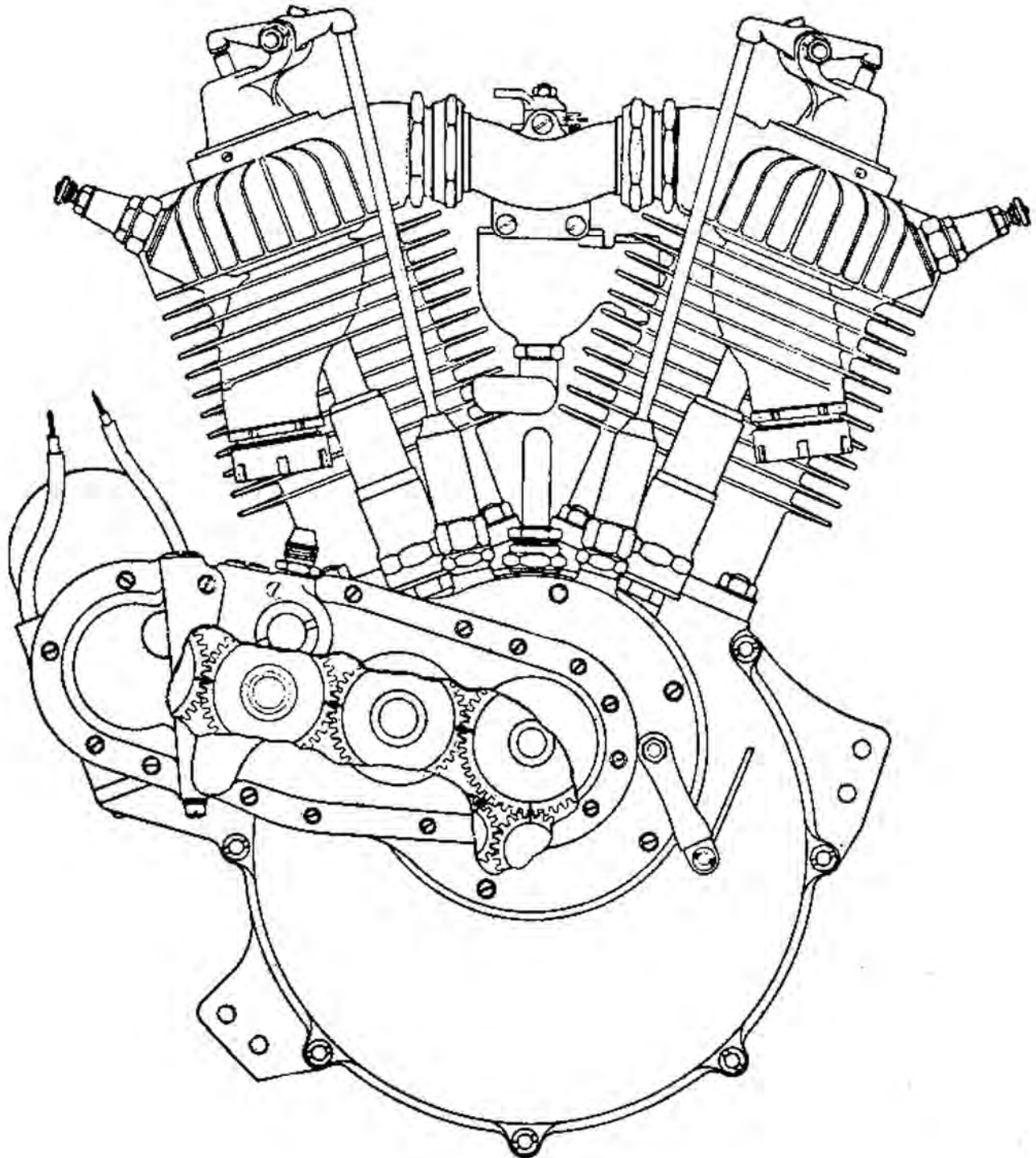
### **\*\*SPORTSTER 1952-1956\*\***

<u>DIAGRAM NUMBER</u>	<u>EASTERN NUMBER</u>	<u>REPLACES OEM</u>	<u>DESCRIPTION</u>
22	L-3-860	34952-52	pk-10 PRIMARY COVER GASKET, (.030 THICK) <b>**JAMES**</b> SPORT. 1952-1969
	L-3-861	34952-52A	pk-10 PRIMARY COVER GASKET, (.062 THICK) <b>**JAMES**</b> SPORT. 1952-1969
23	A-35150-52	35150-52	each RETAINER WITH OIL SEAL, SPORTSTER 1952-1984
24	L-3-868	35169-52	pk-10 GASKET, OIL SEAL RETAINER, SPORTSTER 1952-E/1984
25	15-0053		set-20 SPRING KIT WITH COLLARS, KEEPERS & SPACERS, SPORT. 1952-1953
	15-0058		set-16 SPRING KIT WITH COLLARS & KEEPERS, SPORTSTER 1954-1956



<u>EASTERN NUMBER</u>	<u>REPLACES OEM</u>	<u>DESCRIPTION</u>
L-3-763	27376-52	pk-10 GASKETS, CARBURETOR FLOAT BOWL, SPORTSTER 1952-1956
L-3-753	32522-37	pk-10 GASKETS, CIRCUIT BREAKER BASE, SPORTSTER 1952-1956

**\*\*EASTERN MOTORCYCLE PARTS\*\***



**\*5120 HILDA ROAD\* BLACKVILLE, S.C. 29817\* 803-284-3304\***



# **\*\*EASTERN MOTORCYCLE PARTS\*\***

## **\*\*CYLINDER HEAD\*\***

### **\*\*FLATHEAD 74 & 80\*\***

#### **\*\*BIG TWIN 1936-1948\*\***

<u>DIAGRAM NUMBER</u>	<u>EASTERN NUMBER</u>	<u>REPLACES OEM</u>	<u>DESCRIPTION</u>
7	E-619-N	18082-37	each VALVE, <b>**EXHAUST**</b> (NITRIDE FINISH) BIG TWIN 1936-1948
	E-619-1	18082-37-1	each VALVE, <b>**EXHAUST**</b> (PLAIN FINISH) ( <b>1/8" OVERSIZE</b> ) BIG TWIN 1936-48
8	E-570	18170-30	each VALVE GUIDE, <b>STD, (.596 OD)</b> <b>**INT. &amp; EX.**</b> BIG TWIN 1930-1948
	E-571	18171-30	each VALVE GUIDE, <b>.001, (.597 OD)</b> <b>**INT. &amp; EX.**</b> BIG TWIN 1930-1948
	E-572	18172-30	each VALVE GUIDE, <b>.002, (.598 OD)</b> <b>**INT. &amp; EX.**</b> BIG TWIN 1930-1948
	E-574	18173-30	each VALVE GUIDE, <b>.004, (.600 OD)</b> <b>**INT. &amp; EX.**</b> BIG TWIN 1930-1948
	E-576	18175-30	each VALVE GUIDE, <b>.006, (.602 OD)</b> <b>**INT. &amp; EX.**</b> BIG TWIN 1930-1948
9	L-3-562	18198-38	pk-10 GASKETS, VALVE GUIDE (BOTTOM) BIG TWIN 1936-1948
10	A-18200-30	18200-30	set-4 VALVE SPRINGS, BIG TWIN 1930-1948
11	A-18221-30	18221-30	set-4 VALVE COLLARS, <b>**UPPER**</b> BIG TWIN 1930-1948
12	A-18222-30	18222-30	set-4 VALVE COLLARS, <b>**LOWER**</b> BIG TWIN 1930-1948
13	A-18223-37	18223-37	set-4 SPACERS, UPPER COLLAR, BIG TWIN 1936-1948
14	A-18228-30	18228-30	set-4 VALVE KEEPERS, BIG TWIN 1936-1948
15	L-3-569	18245-39	pk-10 GASKETS, UPPER CORK SEAL, BIG TWIN 1936-1948
16	A-18247-39	18247-39	pk-10 SPRINGS, VALVE COVER, BIG TWIN 1936-1948
17	L-3-573	18257-39	pk-10 GASKETS, LOWER CORK SEAL, BIG TWIN 1936-1948
18	L-3-577	18259-39	pk-10 GASKETS, MIDDLE CORK SEAL, BIG TWIN 1936-1948
19	L-3-1110	18261-30	pk-10 GASKETS, VALVE COVER <b>**RUBBER**</b> BIG TWIN 1936-1948
20	A-22581-32	22581-32	pk-10 RETAINING RINGS, BIG TWIN 1936-1948
21	A-18490-29	18490-29	each TAPPET ASSEMBLY, <b>**STD**</b> (.730 O.D.) BIG TWIN 1930-1948 <b>**SOLID**</b>
	A-18490-78		each TAPPET ASSEMBLY, <b>**005**</b> (.735 O.D.) BIG TWIN 1930-1948 <b>**SOLID**</b>
	A-18490-80		each TAPPET ASSEMBLY, <b>**010**</b> (.740 O.D.) BIG TWIN 1930-1948 <b>**SOLID**</b>
22	A-18534-29A	18534-29A	pk-4 TAPPET ROLLERS, <b>**U.S.A.**</b> BIG TWIN 1929-1984
	A-18534-29B		pk-4 TAPPET ROLLERS, <b>**IMPORTED**</b> BIG TWIN 1929-1984
	A-18534-87	18545-29	pk-10 TAPPET ROLLER PINS, <b>**IMPORTED**</b> BIG TWIN 1929-1984
23	A-18556-40	18556-40	pk-4 TAPPET SCREWS, FLATHEAD, BIG TWIN 1936-1948
25	L-3-948	18631-30	pk-10 GASKETS, TAPPET GUIDES (FRONT & REAR) BIG TWIN 1936-1948
26	E-834-STD	22216-37	pair PISTONS, <b>WITH IMPORTED RINGS, (FLATHEAD 74")</b> BIG TWIN 1936-'48
	E-834-010	22218-37	pair PISTONS, <b>WITH IMPORTED RINGS, (FLATHEAD 74")</b> BIG TWIN 1936-'48
	E-834-020	22219-37	pair PISTONS, <b>W/HASTINGS RINGS, (FLATHEAD 74")</b> BIG TWIN 1936-'48
	E-834-030	22220-37	pair PISTONS, <b>WITH IMPORTED RINGS, (FLATHEAD 74")</b> BIG TWIN 1936-'48
	E-834-040	22221-37	pair PISTONS, <b>W/HASTINGS RINGS, (FLATHEAD 74")</b> BIG TWIN 1936-'48
	E-834-050	22222-37	pair PISTONS, <b>WITH IMPORTED RINGS, (FLATHEAD 74")</b> BIG TWIN 1936-'48
	E-834-060	22223-37	pair PISTONS, <b>WITH IMPORTED RINGS, (FLATHEAD 74")</b> BIG TWIN 1936-'48
	E-834-070	22224-37	pair PISTONS, <b>WITH IMPORTED RINGS, (FLATHEAD 74")</b> BIG TWIN 1936-'48
	E-834-080		pair PISTONS, <b>WITH IMPORTED RINGS, (FLATHEAD 74")</b> BIG TWIN 1936-'48
	E-834-090		pair PISTONS, <b>WITH IMPORTED RINGS, (FLATHEAD 74")</b> BIG TWIN 1936-'48
	E-836-STD	22216-30	pair PISTONS, <b>W/HASTINGS RINGS, (FLATHEAD 80")</b> BIG TWIN 1936-'48
	E-836-010	22218-30	pair PISTONS, <b>W/HASTINGS RINGS, (FLATHEAD 80")</b> BIG TWIN 1936-'48
	E-836-020	22219-30	pair PISTONS, <b>W/HASTINGS RINGS, (FLATHEAD 80")</b> BIG TWIN 1936-'48
	E-836-030	22220-30	pair PISTONS, <b>W/HASTINGS RINGS, (FLATHEAD 80")</b> BIG TWIN 1936-'48
	E-836-040	22221-30	pair PISTONS, <b>W/HASTINGS RINGS, (FLATHEAD 80")</b> BIG TWIN 1936-'48
	E-836-050	22222-30	pair PISTONS, <b>W/HASTINGS RINGS, (FLATHEAD 80")</b> BIG TWIN 1936-'48
	E-836-060	22223-30	pair PISTONS, <b>W/HASTINGS RINGS, (FLATHEAD 80")</b> BIG TWIN 1936-'48
	E-836-070	22224-30	pair PISTONS, <b>W/HASTINGS RINGS, (FLATHEAD 80")</b> BIG TWIN 1936-'48
	E-836-080		pair PISTONS, <b>W/HASTINGS RINGS, (FLATHEAD 80")</b> BIG TWIN 1936-'48
27	15-0016		kit SPRING KIT, WITH COLLARS AND KEEPERS, BIG TWIN 1930-1936
	15-0020		kit SPRING KIT, WITH COLLARS AND KEEPERSBIG TWIN 1936-1948

# \*\*EASTERN MOTORCYCLE PARTS\*\*

## \*\*CYLINDER HEAD\*\*

\*\*45 CUBIC INCH\*\*

\*\*FORTY-FIVE 1929-1973\*\*

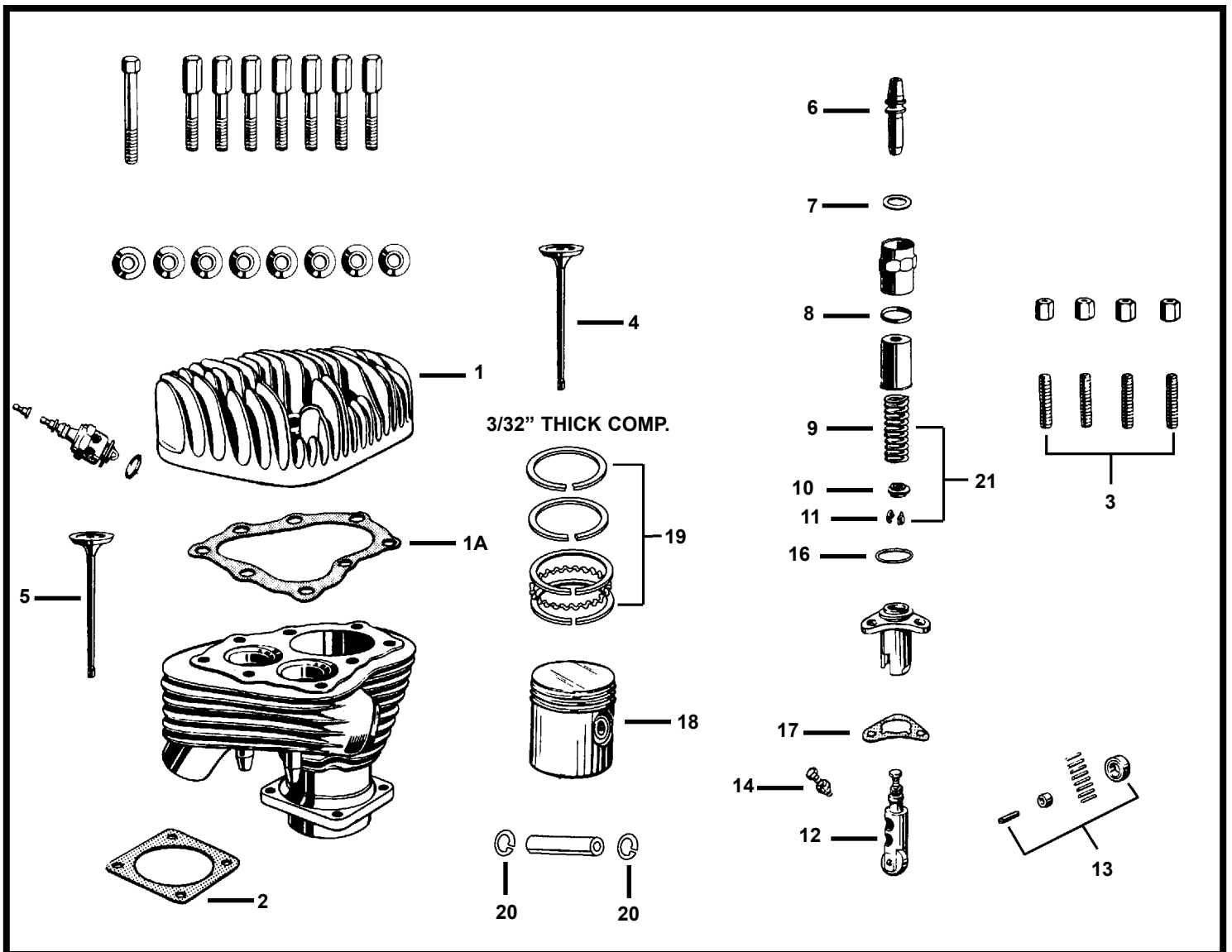


DIAGRAM NUMBER	EASTERN NUMBER	REPLACES OEM	DESCRIPTION
1	M-4-4700	16681-39 16683-39	pair HEADS, **FRONT & REAR** (ALUMINUM) FORTY-FIVE 1940-1973
1A	L-3-848	16768-39	pair HEAD GASKETS **COPPER** FORTY-FIVE 1939-1973
2	L-3-962	16775-29	pk-10 CYLINDER BASE GASKETS, FRONT & REAR, FORTY-FIVE 1937-1973
3	A-16830-29A	16830-29A	pk-4 CYLINDER BASE STUDS, (1-13/16 LONG) FORTY-FIVE 1929-1965
4	E-606	18070-32	each VALVE **INTAKE** (PLAIN FINISH) FORTY-FIVE 1932-1973
	E-606-N	18070-32	each VALVE **INTAKE** (NITRIDE) FORTY-FIVE 1937-1973
	E-606-1-N	18070-32	each VALVE **INTAKE** (NITRIDE) (1/8" OVERSIZE) FORTY-FIVE 1937-1973

\*\*CONTINUED ON NEXT PAGE\*\*

\*5120 HILDA ROAD\* BLACKVILLE, S.C. 29817\* 803-284-3304\*

# **\*\*EASTERN MOTORCYCLE PARTS\*\***

## **\*\*CYLINDER HEAD\*\***

### **\*\*45 CUBIC INCH\*\***

### **\*\*FORTY-FIVE 1929-1973\*\***

<u>DIAGRAM NUMBER</u>	<u>EASTERN NUMBER</u>	<u>REPLACES OEM</u>	<u>DESCRIPTION</u>
5	A-163-29	163-29	each VALVE <b>**INTAKE**</b> (NITRIDE) <b>**1-5/8" HEAD**</b> FORTY-FIVE 1929-1931
	A-165-29	165-29	each VALVE <b>**EXHAUST**</b> (NITRIDE) <b>**1-5/8" HEAD**</b> FORTY-FIVE 1929-1931
	E-614	18080-32	each VALVE <b>**EXHAUST**</b> (PLAIN FINISH) FORTY-FIVE 1937-1973
	E-614-N	18080-32	each VALVE <b>**EXHAUST**</b> (NITRIDE) FORTY-FIVE 1937-1973
	E-614-1-N	18080-32	each VALVE <b>**EXHAUST**</b> (NITRIDE) (1/8" <b>OVERSIZE</b> ) FORTY-FIVE 1937-1973
6	E-560	18176-41	each VALVE GUIDE, <b>STD, (.566 OD)</b> (INT. & EX.) <b>**ID FINISHED**</b> F/F. 1941-'73
	E-561	18179-41	each VALVE GUIDE, <b>.001, (.567 OD)</b> (INT. & EX.) <b>**ID FINISHED**</b> F/F. 1941-'73
	E-562	18180-41	each VALVE GUIDE, <b>.002, (.568 OD)</b> (INT. & EX.) <b>**ID FINISHED**</b> F/F. 1941-'73
	E-564	18178-41	each VALVE GUIDE, <b>.004, (.570 OD)</b> (INT. & EX.) <b>**ID FINISHED**</b> F/F. 1941-'73
	E-566		each VALVE GUIDE, <b>.006, (.572 OD)</b> (INT. & EX.) <b>**ID FINISHED**</b> F/F. 1941-'73
7	L-3-562	18198-38	pk-10 VALVE GUIDE GASKET <b>**BOTTOM**</b> FORTY-FIVE 1938-1973
8	L-3-1106	18260-29	pk-10 VALVE COVER GASKET <b>**RUBBER**</b> FORTY-FIVE 1929-1973
9	A-18201-41	18201-41	set-4 VALVE SPRINGS, FORTY-FIVE 1941-1973
10	A-18220-30	18220-30	set-4 VALVE SPRING COLLAR <b>**LOWER**</b> FORTY-FIVE 1932-1973
11	A-18228-30	18228-30	set-4 VALVE STEM KEEPERS, FORTY-FIVE 1932-1973
12	A-18490-29	18490-29	each TAPPET ASSEMBLY <b>**STD**</b> FORTY-FIVE 1929-1973
	A-18490-78		each TAPPET ASSEMBLY <b>**005**</b> FORTY-FIVE 1929-1973
	A-18490-80		each TAPPET ASSEMBLY <b>**010**</b> FORTY-FIVE 1929-1973
13	A-18534-29A	18534-29A	pk-4 TAPPET ROLLERS, WITH PINS <b>**USA**</b> FORTY-FIVE 1929-1973
	A-18534-29B		pk-4 TAPPET ROLLERS, WITH PINS <b>**IMPORTED**</b> FORTY-FIVE 1929-1973
14	A-18556-40	18556-40	pk-4 TAPPET SCREWS. FORTY-FIVE 1940-1973
	A-18570-78		pk-10 TAPPET NUTS (FLAT) FORTY-FIVE 1929-1973
16	L-3-1006	18630-26	pk-10 GASKET, VALVE SPRING COVER <b>**LOWER**</b> FORTY-FIVE 1929-1973
17	L-3-948	18631-30	pk-10 TAPPET GUIDE GASKETS <b>**FRONT AND REAR**</b> FORTY-FIVE 1929-1973
18	E-825-STD	22251-29A	pair PISTONS, <b>W/HASTINGS RINGS</b> (6 TO 1 COMP.) FORTY-FIVE 1929-'73
	E-825-010	22253-29A	pair PISTONS, <b>W/HASTINGS RINGS</b> (6 TO 1 COMP.) FORTY-FIVE 1929-1973
	E-825-020	22254-29A	pair PISTONS, <b>W/HASTINGS RINGS</b> (6 TO 1 COMP.) FORTY-FIVE 1929-1973
	E-825-030	22255-29A	pair PISTONS, <b>W/HASTINGS RINGS</b> (6 TO 1 COMP.) FORTY-FIVE 1929-1973
	E-825-040	22256-29A	pair PISTONS, <b>W/HASTINGS RINGS</b> (6 TO 1 COMP.) FORTY-FIVE 1929-1973
	E-825-050	22257-29A	pair PISTONS, <b>W/HASTINGS RINGS</b> (6 TO 1 COMP.) FORTY-FIVE 1929-1973
	E-825-060	22258-29A	pair PISTONS, <b>W/HASTINGS RINGS</b> (6 TO 1 COMP.) FORTY-FIVE 1929-1973
	E-825-070	22259-29A	pair PISTONS, <b>W/HASTINGS RINGS</b> (6 TO 1 COMP.) FORTY-FIVE 1929-1973
	E-825-080		pair PISTONS, <b>W/HASTINGS RINGS</b> (6 TO 1 COMP.) FORTY-FIVE 1929-1973
	E-825-090		pair PISTONS, <b>WITH IMPORTED RINGS</b> (6 TO 1 COMP.) FORTY-FIVE 1929-'73
19	3/32" THICK COMP. RINGS	H-4244-STD	22355-38 set-2 PISTON RINGS <b>**HASTINGS**</b> (1-PIECE OIL RING) FORTY-FIVE 1937-'52
		H-4244-010	22357-38 set-2 PISTON RINGS <b>**HASTINGS**</b> (1-PIECE OIL RING) FORTY-FIVE 1937-'52
		H-4244-020	22358-38 set-2 PISTON RINGS <b>**HASTINGS**</b> (1-PIECE OIL RING) FORTY-FIVE 1937-'52
		H-4244-030	22359-38 set-2 PISTON RINGS <b>**HASTINGS**</b> (1-PIECE OIL RING) FORTY-FIVE 1937-'52
		H-4244-040	22360-38 set-2 PISTON RINGS <b>**HASTINGS**</b> (1-PIECE OIL RING) FORTY-FIVE 1937-'52
		H-4244-050	22361-38 set-2 PISTON RINGS <b>**HASTINGS**</b> (1-PIECE OIL RING) FORTY-FIVE 1937-'52
		H-4244-060	22362-38 set-2 PISTON RINGS <b>**HASTINGS**</b> (1-PIECE OIL RING) FORTY-FIVE 1937-'52
		H-4244-070	22363-38 set-2 PISTON RINGS <b>**HASTINGS**</b> (1-PIECE OIL RING) FORTY-FIVE 1937-'52
		H-4244-080	set-2 PISTON RINGS <b>**HASTINGS**</b> (1-PIECE OIL RING) FORTY-FIVE 1937-'52
	H-4244-090	set-2 PISTON RINGS <b>**IMPORTED**</b> (1-PIECE OIL RING) FORTY-FIVE 1937-'52	
20	A-22581-32	22581-32	pk-10 PISTON PIN RETAINING RING, FORTY-FIVE 1932-1973
21	15-0010		set-12 SPRING KIT WITH COLLARS & KEEPERS, FORTY-FIVE 1932-1940
	15-0013		set-12 SPRING KIT WITH COLLARS & KEEPERS, FORTY-FIVE 1941-1973

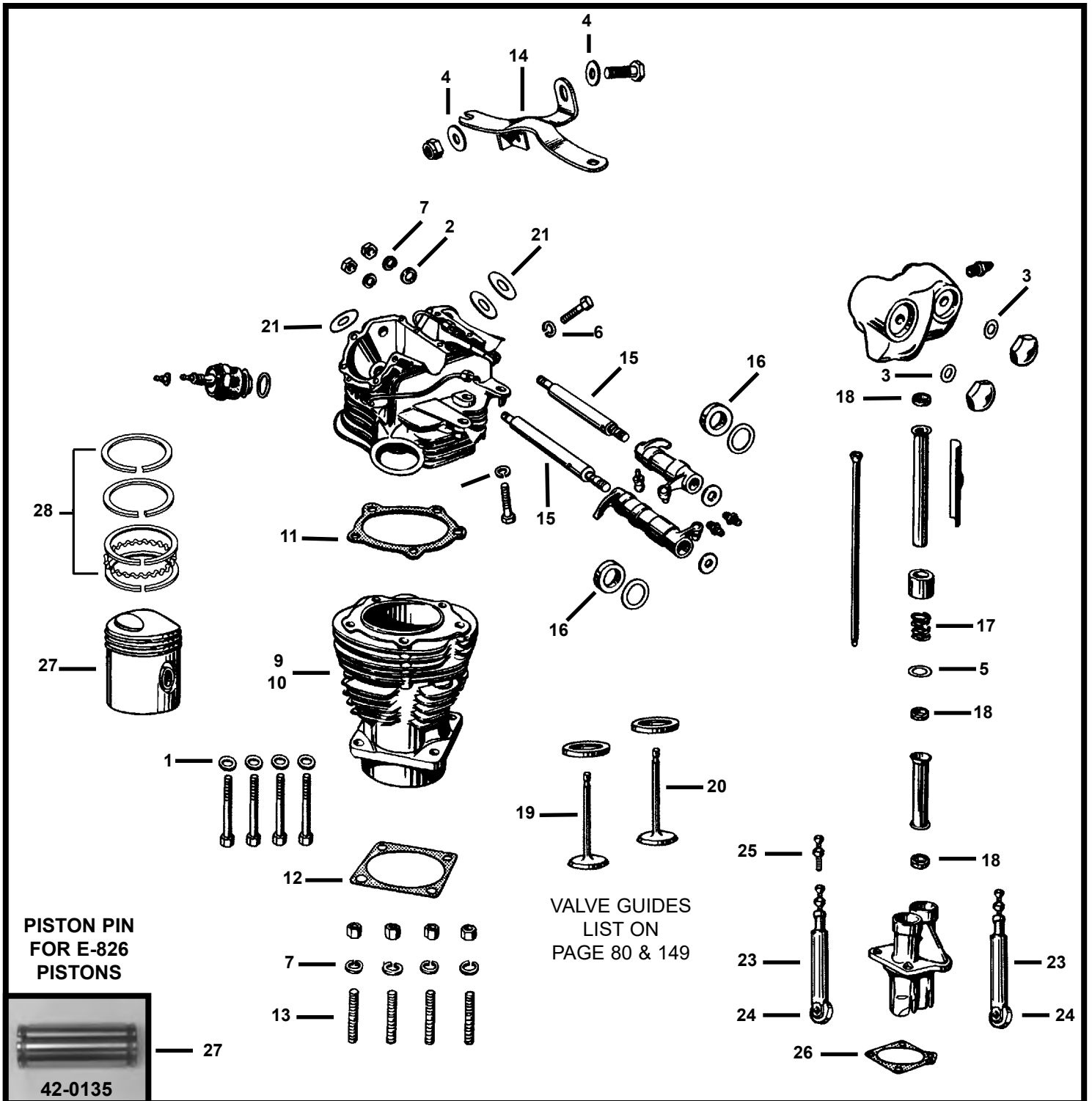


# \*\*EASTERN MOTORCYCLE PARTS\*\*

## \*\*CYLINDER HEAD\*\*

\*\*KNUCKLEHEAD 61" & 74"\*\*\*

\*\*BIG TWIN 1936-1947\*\*



\*\*CONTINUED ON NEXT PAGE\*\*

\*5120 HILDA ROAD\* BLACKVILLE, S.C. 29817\* 803-284-3304\*

# **\*\*EASTERN MOTORCYCLE PARTS\*\***

## **\*\*CYLINDER HEAD\*\***

### **\*\*KNUCKLEHEAD 61" & 74"\*\*\***

### **\*\*BIG TWIN 1936-1947\*\***

<u>DIAGRAM NUMBER</u>	<u>EASTERN NUMBER</u>	<u>REPLACES OEM</u>	<u>DESCRIPTION</u>
1	C-3017-100	6469	pk-100 FLAT WASHERS, <b>**CHROME**</b> BIG TWIN 1946-1947
2	A-6473	6473	pk-25 WASHER **29/64 X 51/64 X 1/16" THICK** (ZINC PLATED)
3	A-6475	6475	pk-25 WASHER **7/16 X 13/16 X 1/16" THICK** (BRASS) BIG TWIN 1936-1947
4	A-6520	6520	pk-25 WASHER **29/64 X 1-1/8 X 3/32" THICK** (ZINC PLATED)
5	A-6762B	6762B	pk-10 WASHER, PUSHROD TUBE **.030 THICK** BIG TWIN 1936-PRESENT
6	36-0234	7045	pk-100 LOCK WASHERS, <b>**HI-COLLAR 3/8" ** (ZINC PLATED)</b>
7	36-0210	7055	pk-100 LOCK WASHERS, <b>**REGULAR 7/16" ** (ZINC PLATED)</b>
8	35-0546	7825	pk-10 NYLOCK NUT, <b>**7/16-20 THREAD** (CADMIUM PLATED)</b>
9	M-4-4596	16483-36	each CYLINDER ONLY (FRONT) <b>**61" KNUCKLEHEAD**</b> BIG TWIN 1936-1947
	M-4-4597	16490-36	each CYLINDER ONLY (REAR) <b>**61" KNUCKLEHEAD**</b> BIG TWIN 1936-1947
	M-4-4598		pair CYLINDER ONLY (F & R) <b>**61" KNUCKLEHEAD**</b> BIG TWIN 1936-1947
10	M-4-4567	16483-41	each CYLINDER ONLY (FRONT) <b>**74" KNUCKLEHEAD**</b> BIG TWIN 1941-1947
	M-4-4568	16492-41	each CYLINDER ONLY (REAR) <b>**74" KNUCKLEHEAD**</b> BIG TWIN 1941-1947
	M-4-4569		pair CYLINDER ONLY (F & R) <b>**74" KNUCKLEHEAD**</b> BIG TWIN 1941-1947
11	L-3-675	16770-36	pair HEAD GASKETS <b>**FIRE-RING**</b> (1/16" THICK) BIG TWIN 1936-1947
	L-3-851	16770-36	pair HEAD GASKETS <b>**BLUE TEFLON**</b> BIG TWIN 1936-1947
	L-3-852	16770-36	pair HEAD GASKETS <b>**COPPER**</b> BIG TWIN 1936-1947
12	L-3-963	16774-21	pk-10 CYLINDER BASE GASKETS, FRONT AND REAR, BIG TWIN 1936-1947
13	40-0150	16831-30	pk-4 CYLINDER BASE STUDS <b>**2-1/16" LONG**</b> BIG TWIN 1930-1977 <b>**U.S.A**</b>
14	K-2-880	16853-48	each TOP MOTOR MOUNT <b>**CHROME**</b> BIG TWIN 1936-1947
15	A-17435-39	17435-39	each ROCKER ARM SHAFT (FRONT INTAKE) BIG TWIN 1936-1947
	A-17438-39	17438-39	each ROCKER ARM SHAFT (REAR INTAKE) BIG TWIN 1936-1947
	A-17441-39	17441-39	each ROCKER ARM SHAFT (FRONT EXHAUST) BIG TWIN 1936-1947
	A-17444-39	17444-39	each ROCKER ARM SHAFT (REAR EXHAUST) BIG TWIN 1936-1947
	A-17445-SET		set-4 ROCKER ARM SHAFTS (F&R INTAKE, F&R EXHAUST) BIG TWIN 1936-'47 <b>SET INCLUDES: (1) 17435-39, (1) 17438-39, (1) 17441-39, (1) 17444-39</b>
	40-0170		set-4 ROCKER ARM SHAFTS (.005 OVERSIZE) BIG TWIN 1936-1947
	40-0180		set-4 ROCKER ARM SHAFTS (.010 OVERSIZE) BIG TWIN 1936-1947
16	A-17475-38	17475-38	pk-4 ROCKER ARM OIL SEALS, (LATHE CUT) BIG TWIN 1936-1947
	A-17475-38B	17475-38	pk-4 ROCKER ARM OIL SEALS, (OEM STYLE) BIG TWIN 1936-1947
17	A-17947-36	17947-36	pk-10 SPRINGS, PUSHROD COVER BIG TWIN 1936-PRESENT
18	L-3-805	17955-36	pk-25 PUSHROD CORKS <b>**UPPER**</b> BIG TWIN 1936-1979
19	E-600	18071-36	each VALVE <b>**INTAKE**</b> (PLAIN FINISH) BIG TWIN 1936-1947
	E-600-N	18071-36	each VALVE <b>**INTAKE**</b> (NITRIDE FINISH) BIG TWIN 1936-1947
	E-600-1		each VALVE <b>**INTAKE**</b> (PLAIN FINISH) <b>**1/8 OVERSIZE**</b> BIG TWIN 1936-1947
	E-600-1-N		each VALVE <b>**INTAKE**</b> (NITRIDE) <b>**1/8" OVERSIZE**</b> BIG TWIN 1936-1947
20	E-610	18081-36	each VALVE <b>**EXHAUST**</b> (PLAIN FINISH) BIG TWIN 1936-1947
	E-610-N	18081-36	each VALVE <b>**EXHAUST**</b> (NITRIDE FINISH) BIG TWIN 1936-1947
	E-610-1		each VALVE <b>**EXHAUST**</b> (PLAIN FINISH) <b>**1/8 OVERSIZE**</b> BIG TWIN 1936-'47
	E-610-1-N		each VALVE <b>**EXHAUST**</b> (NITRIDE) <b>**1/8" OVERSIZE**</b> BIG TWIN 1936-1947 <b>**VALVE GUIDES LISTED ON PAGE 80 &amp; 149**</b>
21	L-3-565	18265-37	pk-10 VALVE GUIDE GASKET <b>**BOTTOM**</b> BIG TWIN 1936-1947
22	A-18491-36	18491-36	each TAPPET ASSEMBLY, INTAKE (STD) BIG TWIN 1936-1947
	A-18491-78		each TAPPET ASSEMBLY, INTAKE (.005) BIG TWIN 1936-1947
	A-18491-93		each TAPPET ASSEMBLY, INTAKE (.010) BIG TWIN 1936-1947
23	A-18493-36		each TAPPET ASSEMBLY, EXHAUST (STD) BIG TWIN 1936-1947
	A-18493-78		each TAPPET ASSEMBLY, EXHAUST (.005) BIG TWIN 1936-1947
	A-18493-93		each TAPPET ASSEMBLY, EXHAUST (.010) BIG TWIN 1936-1947

**\*\*CONTINUED ON NEXT PAGE\*\***

**\*5120 HILDA ROAD\* BLACKVILLE, S.C. 29817\* 803-284-3304\***

# **\*\*EASTERN MOTORCYCLE PARTS\*\***

## **\*\*CYLINDER HEAD\*\***

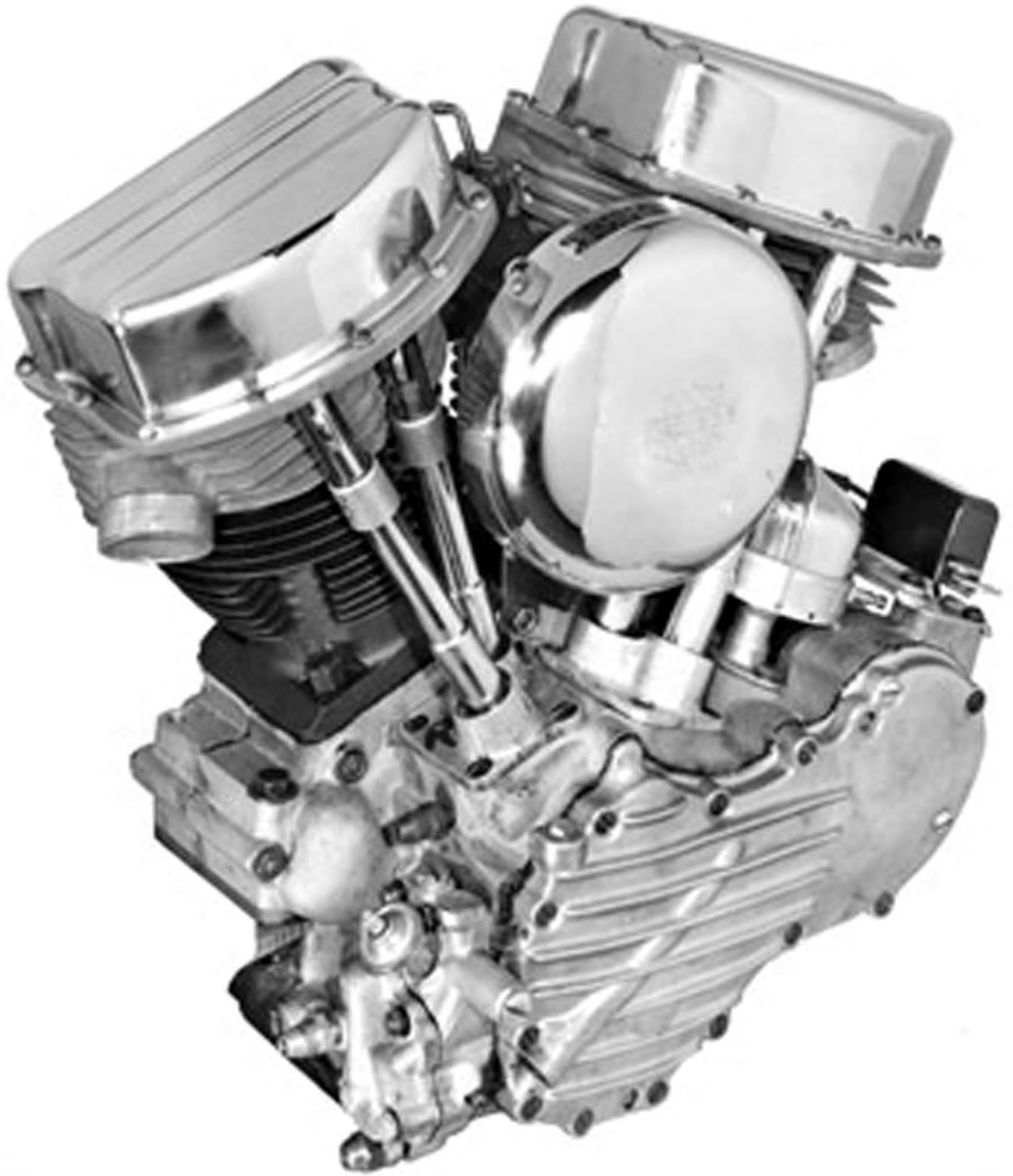
### **\*\*KNUCKLEHEAD 61" & 74"\*\*\***

### **\*\*BIG TWIN 1936-1947\*\***

<u>DIAGRAM NUMBER</u>	<u>EASTERN NUMBER</u>	<u>REPLACES OEM</u>	<u>DESCRIPTION</u>
24	A-18534-29A	18534-29A	set-4 TAPPET ROLLERS, WITH PINS <b>**USA**</b> BIG TWIN 1929-1984
	A-18534-29B		set-4 TAPPET ROLLERS, WITH PINS <b>**IMPORTED**</b> BIG TWIN 1929-1984
	A-18534-87	18545-29	pk-10 TAPPET ROLLER PINS, BIG TWIN 1929-1984
25	A-18555-36	18555-36	set-4 TAPPET SCREWS, BIG TWIN 1936-1984
	A-18570-38	18570-38	pk-10 TAPPET NUTS, BIG TWIN 1936-1984
26	L-3-949	18632-36	pk-10 TAPPET GUIDE GASKETS (FRONT AND REAR) BIG TWIN 1936-1947
27	E-826-STD	22141-48	pair PISTON WITH <b>HASTINGS RINGS</b> **61" 7-1/2 TO 1 COMP.** B/T 1936-1947
	E-826-010	22143-48	pair PISTON WITH <b>HASTINGS RINGS</b> **61" 7-1/2 TO 1 COMP.** B/T 1936-1947
	E-826-020	22144-48	pair PISTON WITH <b>HASTINGS RINGS</b> **61" 7-1/2 TO 1 COMP.** B/T 1936-1947
	E-826-030	22145-48	pair PISTON WITH <b>HASTINGS RINGS</b> **61" 7-1/2 TO 1 COMP.** B/T 1936-1947
	E-826-040	22146-48	pair PISTON WITH <b>HASTINGS RINGS</b> **61" 7-1/2 TO 1 COMP.** B/T 1936-1947
	E-826-050	22147-48	pair PISTON WITH <b>HASTINGS RINGS</b> **61" 7-1/2 TO 1 COMP.** B/T 1936-1947
	E-826-060	22148-48	pair PISTON WITH <b>HASTINGS RINGS</b> **61" 7-1/2 TO 1 COMP.** B/T 1936-1947
	E-826-070	22149-48	pair PISTON WITH <b>HASTINGS RINGS</b> **61" 7-1/2 TO 1 COMP.** B/T 1936-1947
	E-826-080		pair PISTON <b>WITH IMPORTED RINGS</b> **61" 7-1/2 TO 1 COMP.** B/T 1936-1947
	42-0135		each PISTON PINS, (61") <b>**FOR E-826 PISTONS**</b> BIG TWIN 1936-1952
28	H-7024-STD	22325-36	set-2 PISTON RINGS, <b>HASTINGS</b> **61" 7-1/2 TO 1 COMP.** BIG TWIN 1936-47
	H-7024-010	22327-36	set-2 PISTON RINGS, <b>HASTINGS</b> **61" 7-1/2 TO 1 COMP.** BIG TWIN 1936-47
	H-7024-020	22328-36	set-2 PISTON RINGS, <b>HASTINGS</b> **61" 7-1/2 TO 1 COMP.** BIG TWIN 1936-47
	H-7024-030	22329-36	set-2 PISTON RINGS, <b>HASTINGS</b> **61" 7-1/2 TO 1 COMP.** BIG TWIN 1936-47
	H-7024-040	22330-36	set-2 PISTON RINGS, <b>HASTINGS</b> **61" 7-1/2 TO 1 COMP.** BIG TWIN 1936-47
	H-7024-050	22331-36	set-2 PISTON RINGS, <b>HASTINGS</b> **61" 7-1/2 TO 1 COMP.** BIG TWIN 1936-47
	H-7024-060	22332-36	set-2 PISTON RINGS, <b>HASTINGS</b> **61" 7-1/2 TO 1 COMP.** BIG TWIN 1936-47
	H-7024-070	22333-36	set-2 PISTON RINGS, <b>HASTINGS</b> **61" 7-1/2 TO 1 COMP.** BIG TWIN 1936-47
H-7024-080		set-2 PISTON RINGS, <b>IMPORTED</b> **61" 7-1/2 TO 1 COMP.** BIG TWIN 1936-47	



**\*\*EASTERN MOTORCYCLE PARTS\*\***



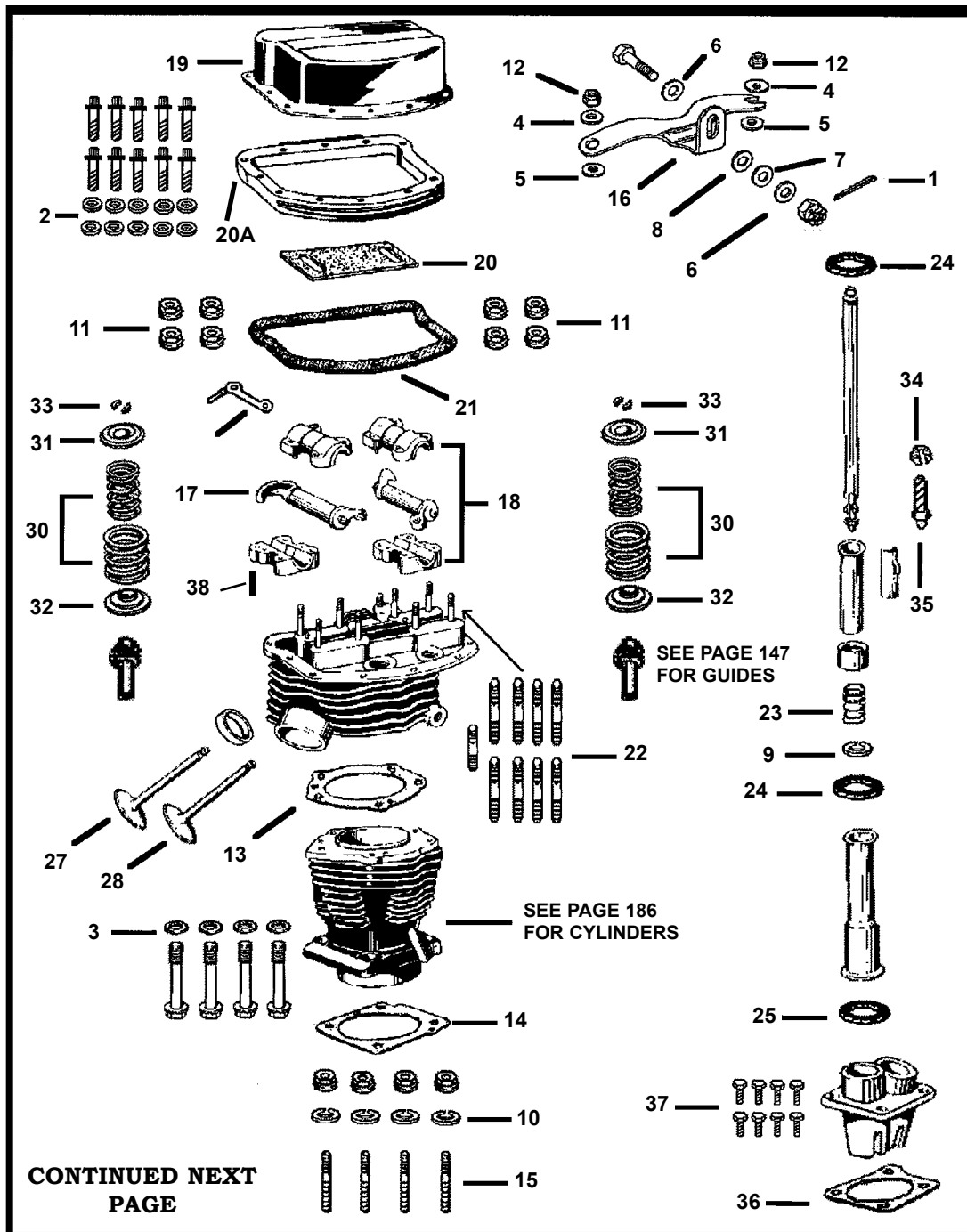
**\*5120 HILDA ROAD\* BLACKVILLE, S.C. 29817\* 803-284-3304\***

# \*\*EASTERN MOTORCYCLE PARTS\*\*

## \*\*CYLINDER HEAD\*\*

### \*\*PANHEAD\*\*

### \*\*BIG TWIN 1948-1965\*\*



CONTINUED NEXT  
PAGE

#### DIAGRAM NUMBER

#### EASTERN NUMBER

#### REPLACES OEM

#### DESCRIPTION

DIAGRAM NUMBER	EASTERN NUMBER	REPLACES OEM	DESCRIPTION
1	35-0135	534	pk-100 COTTER PINS, 3/32 X 1" LONG, **ZINC PLATED**
2	A-6150W	6150W	pk-25 WASHER, #-10 X 3/8 X 1/16 THICK, **ZINC PLATED**
3	A-6469HW	6469HW	pk-25 WASHER, 7/16 X 3/4 X 1/8 THICK, **ZINC PLATED**
4	A-6495HW	6495HW	pk-25 WASHER, 7/16 X 15/16 X 1/8 THICK, **ZINC PLATED**

\*5120 HILDA ROAD\* BLACKVILLE, S.C. 29817\* 803-284-3304\*

# **\*\*EASTERN MOTORCYCLE PARTS\*\***

## **\*\*CYLINDER HEAD\*\***

### **\*\*PANHEAD\*\***

#### **\*\*BIG TWIN 1948-1965\*\***

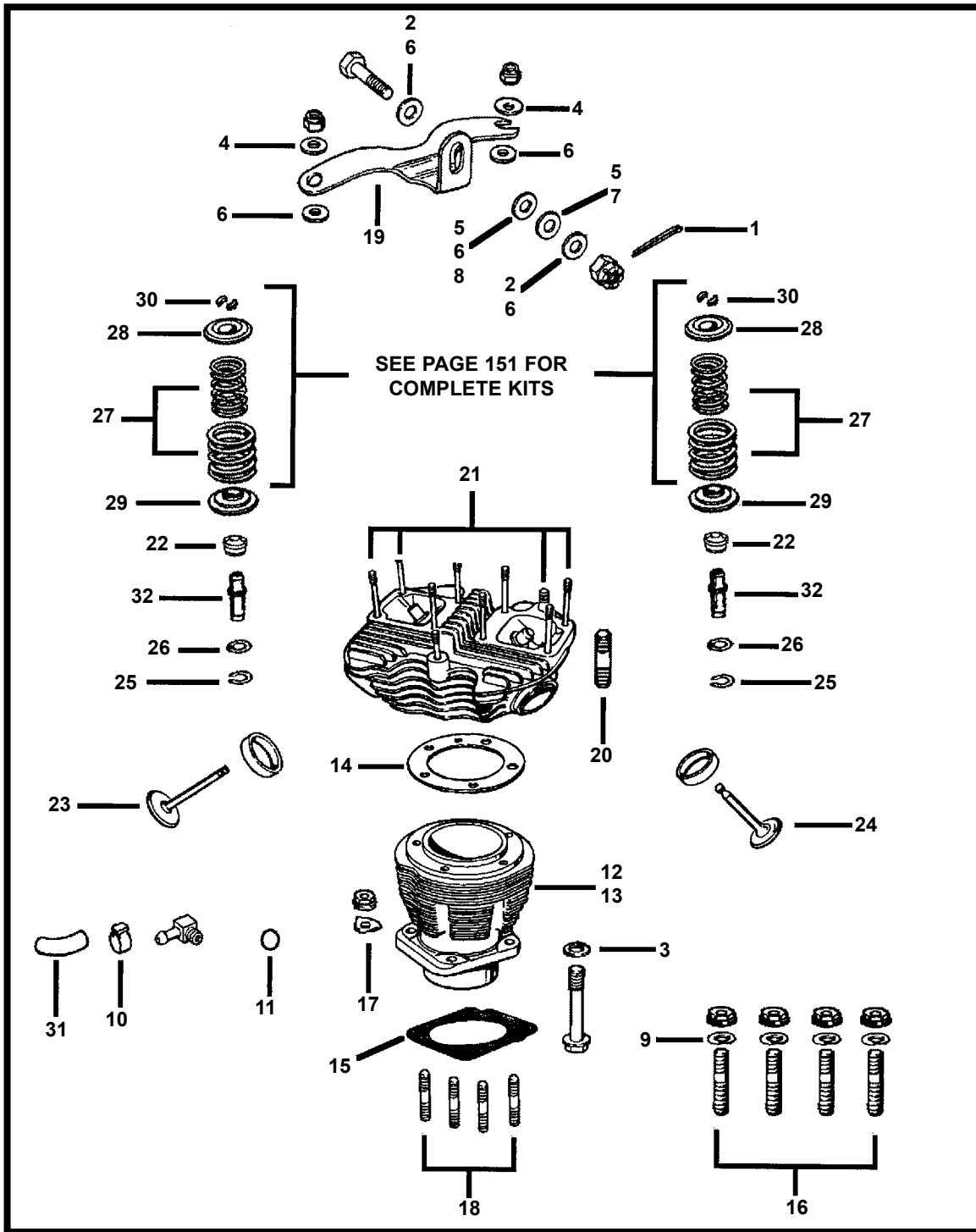
<b>DIAGRAM NUMBER</b>	<b>EASTERN NUMBER</b>	<b>REPLACES OEM</b>	<b>DESCRIPTION</b>
5	A-6516HW	6516HW	pk-25 WASHER, 7/16 X 1-1/8 X 1/8 THICK, <b>**ZINC PLATED**</b>
6	A-6521W	6521W	pk-25 WASHER, 7/16 X 1-1/8 X 1/8 THICK, <b>**ZINC PLATED**</b>
7	A-6522HB	6522HB	pk-25 WASHER, 29/64 X 1-1/8 X 5/32 THICK, <b>**ZINC PLATED**</b>
8	A-6524W	6524W	pk-25 WASHER, 29/64 X 1-1/8 X 1/64 THICK, <b>**ZINC PLATED**</b>
9	A-6762B	6762B	pk-10 WASHER, PUSH ROD TUBES, <b>**0.030 THICK**</b> BIG TWIN 1936-PRES.
10	36-0210	7039	pk-10 LOCK-WASHER, <b>**REGULAR 7/16**</b> , <b>**ZINC PLATED**</b>
11	A-7727	7727	pk-10 NUT, FLEX-LOCK, <b>**5/16-24, 1/2" HEX**</b> BIG TWIN 1948-1965
12	35-0546	7825	pk-10 NYLOCK NUT, <b>**7/16-20, 5/8" HEX**</b> (CADMIUM) BIG TWIN
13	L-3-677	16770-48	pair HEAD GASKETS, <b>**WITH FIRE RING**</b> (1/16" THICK) B/T 1948-1965
	L-3-840	16770-48	pair HEAD GASKETS, <b>**BLUE TEFLON**</b> BIG TWIN 1948-1965
	L-3-840A	16770-48	pair HEAD GASKETS, <b>**COPPER, ROUND**</b> (.040) BIG TWIN 1948-1965
	L-3-840B	16770-48	pair HEAD GASKETS, <b>**COPPER, OEM STYLE**</b> (.021) BIG TWIN 1948-'65
14	L-3-952	16776-48	pk-10 GASKETS, FRONT CYLINDER BASE, BIG TWIN 1948-1962
	L-3-954	16776-63	pk-10 GASKETS, FRONT CYLINDER BASE, BIG TWIN 1963-1984
	L-3-953	16777-48	pk-10 GASKETS, REAR CYLINDER BASE, BIG TWIN 1948-1962
	L-3-955	16777-63	pk-10 GASKETS, REAR CYLINDER BASE, BIG TWIN 1963-1984
15	40-0150	16831-30	pk-4 STUDS, CYLINDER BASE, <b>**2-1/6" LONG**</b> BIG TWIN 1930-'77 <b>*U.S.A*</b>
16	V-13-111	16853-48	each MOTOR MOUNT, WITH KEY SWITCH HOLE, <b>**CHROME**</b> B/T 1948-'84
17	M-4-4580	17360-48	each ROCKER ARM ( <b>ONLY</b> ) <b>**REAR-EXH., FRONT-INTAKE**</b> B/T 1948-1965
	M-4-4582	17375-48	each ROCKER ARM ( <b>ONLY</b> ) <b>**FRONT-EXH., REAR-INTAKE**</b> B/T 1948-1965
18	M-4-4585		each ROCKER ARM, <b>WITH BLOCKS</b> <b>**REAR-EX, FRONT-IN**</b> B/T 1948-1965
	M-4-4587		each ROCKER ARM, <b>WITH BLOCKS</b> <b>**FRONT-EX, REAR-IN**</b> B/T 1948-1965
19	K-2-765	17500-48A	pair ROCKER COVERS, <b>**CHROME**</b> BIG TWIN 1948-1965
20	L-3-947	17507-48	pk-10 ROCKER ARM PAD, (FELT) BIG TWIN 1948-1965
20A	V-13-103	17509-54	pair REINFORCEMENT D-RINGS <b>**CHROME**</b> (W/SCREWS), B/T 1948-'65
21	L-3-944	17541-48	pk-10 GASKETS, ROCKER COVER, (THICK) BIG TWIN 1948-1965
22	A-17647-48	17647-48	set-8 STUDS, ROCKER ARM LOWER BLOCKS, BIG TWIN 1948-1965
23	A-17947-36	17947-36	pk-10 SPRING, PUSH ROD COVER, BIG TWIN 1936-1984
24	L-3-805	17955-36	pk-25 PUSH ROD CORKS, <b>**UPPER**</b> (SMALL) BIG TWIN 1936-1979
25	L-3-806	17955-48	pk-25 PUSH ROD CORKS, <b>**LOWER**</b> (LARGE) BIG TWIN 1948-1979
27	E-601	18071-48	each VALVE, <b>**INTAKE**</b> (PLAIN FINISH) (1/8" O/S) BIG TWIN 1948-1965
	E-601-N	18071-48	each VALVE, <b>**INTAKE**</b> (NITRIDE FINISH) (1/8" O/S) BIG TWIN 1948-1965
	E-601-SS	18071-48	each VALVE, <b>**INTAKE**</b> (STAINLESS) (1/8" O/S) BIG TWIN 1948-1965
	E-602	18071-48	each VALVE, <b>**INTAKE**</b> (PLAIN FINISH) BIG TWIN 1948-1965
	E-602-C		each VALVE, <b>**INTAKE**</b> (HARD CHROME) BIG TWIN 1948-1965
	E-602-N		each VALVE, <b>**INTAKE**</b> (NITRIDE FINISH) BIG TWIN 1948-1965
	E-602-SS		each VALVE, <b>**INTAKE**</b> (STAINLESS) BIG TWIN 1948-1965
28	E-612	18082-57A	each VALVE, <b>**EXHAUST**</b> (PLAIN FINISH) BIG TWIN 1948-1984
	E-612-C	18089-80	each VALVE, <b>**EXHAUST**</b> (HARD CHROME) BIG TWIN 1948-1984
	E-612-N	18086-80	each VALVE, <b>**EXHAUST**</b> (NITRIDE FINISH) BIG TWIN 1948-1984
	E-612-1-N	18082-57-1	each VALVE, <b>**EXHAUST**</b> (NITRIDE FINISH) (1/8" O/S) BIG TWIN 1948-'84
	E-612-SS		each VALVE, <b>**EXHAUST**</b> (STAINLESS) BIG TWIN 1948-1984
30	A-18201-57B	18201-57B	set-8 VALVE SPRINGS, <b>**INNER &amp; OUTER**</b> BIG TWIN 1948-1984
		18204-36A	
31	A-18221-36	18221-36	pk-4 VALVE SPRING COLLAR, <b>**UPPER**</b> BIG TWIN 1936-1981
32	A-18222-48	18222-48	pk-4 VALVE SPRING COLLAR, <b>**LOWER**</b> BIG TWIN 1948-1979
33	A-18228-36	18228-36	set-4 VALVE STEM KEEPERS, BIG TWIN 1937-1984
34	A-18556-57	18556-57	pk-4 TAPPET SCREWS, <b>**PUSH ROD**</b> BIG TWIN 1957-1984
35	A-18570-38	18570-38	pk-10 TAPPET NUTS, <b>**OEM TAPPETS**</b> BIG TWIN 1936-1984
36	L-3-951	18633-48B	pk-10 GASKETS, REAR TAPPET GUIDE, BIG TWIN 1948-1999
	L-3-950	18634-48B	pk-10 GASKETS, FRONT TAPPET GUIDE, BIG TWIN 1948-1999
37	A-18660-53	18660-53	set-8 SCREWS, LIFTER BASE, <b>**1/4-24 THREAD**</b> BIG TWIN 1953-1975
38	41-0148		set-8 DOWEL PINS, ROCKER ARM BLOCKS, <b>*.1875 X .495 LONG*</b> B/T 48-65

# \*\*EASTERN MOTORCYCLE PARTS\*\*

## \*\*CYLINDER HEAD\*\*

### \*\*SHOVELHEAD\*\*

### \*\*BIG TWIN 1966-1984\*\*



\*\*CONTINUED NEXT PAGE\*\*

# **\*\*EASTERN MOTORCYCLE PARTS\*\***

## **\*\*CYLINDER HEAD\*\***

### **\*\*SHOVELHEAD\*\***

#### **\*\*BIG TWIN 1966-1984\*\***

<u>DIAGRAM NUMBER</u>	<u>EASTERN NUMBER</u>	<u>REPLACES OEM</u>	<u>DESCRIPTION</u>
1	35-0135	534	pk-100 COTTER PINS, 3/32 X 1" LONG, <b>**ZINC PLATED**</b>
2	A-6416	6416	pk-25 WASHER, 3/8 X 1" X 5/64 THICK, <b>**ZINC PLATED**</b>
3	A-6469HW	6469HW	pk-25 WASHER, 7/16 X 3/4 X 1/8 THICK, <b>**ZINC PLATED**</b>
4	A-6495HW	6495HW	pk-25 WASHER, 7/16 X 15/16 X 1/8 THICK, <b>**ZINC PLATED**</b>
5	A-6497HW	6497HW	pk-25 WASHER, 7/16 X 1-1/8 X 3/64 THICK, <b>**ZINC PLATED**</b>
6	A-6516HW	6516HW	pk-25 WASHER, 7/16 X 1-1/8 X 1/8 THICK, <b>**ZINC PLATED**</b>
	A-6521W	6521W	pk-25 WASHER, 7/16 X 1-1/8 X 1/8 THICK, <b>**ZINC PLATED**</b>
7	A-6522HB	6522HB	pk-25 WASHER, 29/64 X 1-1/8 X 5/32 THICK, <b>**ZINC PLATED**</b>
8	A-6524W	6524W	pk-25 WASHER, 29/64 X 1-1/8 X 1/64 THICK, <b>**ZINC PLATED**</b>
9	36-0210	7039	pk-100 LOCK-WASHER, <b>**REGULAR 7/16**</b> , <b>**ZINC PLATED**</b>
10	A-10014	10014	pk-25 HOSE CLAMP, <b>**OIL AND GAS LINES**</b> , (17/32 I.D.)
11	A-11101	11101	pk-10 O-RING, ROCKER ARM SHAFT, B/T 1966-1984, SPORT. 1957-1985
	A-11101-X	11101	pk-10 O-RING, ROCKER ARM SHAFT <b>**OVERSIZE**</b> BIG TWIN 1966-1984, SPORTSTER 1957-1985
12	M-4-4547	16485-66B	each CYLINDER, (FRONT), <b>**NO PISTON**</b> (1200 C/C), BIG TWIN 1966-1978
	M-4-4548	16492-66B	each CYLINDER, (REAR), <b>**NO PISTON**</b> (1200 C/C), BIG TWIN 1966-1978
	M-4-4549		pair CYLINDERS, (FRONT & REAR), <b>**NO PISTON**</b> BIG TWIN 1966-1978
13	M-4-4550	16494-78	each CYLINDER, (FRONT), <b>**NO PISTON**</b> (1340 C/C), BIG TWIN 1978-1984
	M-4-4551	16495-78	each CYLINDER, (REAR), <b>**NO PISTON**</b> (1340 C/C), BIG TWIN 1978-1984
	M-4-4552		pair CYLINDERS, (FRONT & REAR), <b>**NO PISTON**</b> BIG TWIN 1978-1984
14	L-3-841	16770-66B	pair HEAD GASKET, <b>**BLUE TEFLON**</b> BIG TWIN 1966-1984
	L-3-679	16770-66B	pair HEAD GASKET, <b>**WITH FIRE RING**</b> (1/16 THICK), BIG TWIN 1966-'84
	L-3-841A	16770-66B	pair HEAD GASKET, <b>**GRAPHITE**</b> BIG TWIN 1966-1984
	L-3-841C	16770-66C	pair HEAD GASKET, <b>**SOLID COPPER**</b> (.031 THICK) BIG TWIN 1966-1984
15	L-3-954	16776-63	pk-10 GASKET, CYLINDER BASE, (FRONT), BIG TWIN 1963-1984
	L-3-955	16777-63	pk-10 GASKET, CYLINDER BASE, (REAR), BIG TWIN 1963-1984
16	40-0150	16831-30	pk-4 STUDS, CYLINDER BASE, (2-1/16" LONG), BIG TWIN 1930-'77 <b>*U.S.A*</b>
17	A-16836-78	16836-78	pk-8 SPACERS, CYLINDER BASE, <b>**BLACK OX**</b> BIG TWIN 1978-1984
	A-16836-78C	16836-78	pk-8 SPACERS, CYLINDER BASE, <b>**CHROME**</b> BIG TWIN 1978-1984
18	40-0152	16837-78	pk-8 STUDS, CYLINDER BASE, (2-11/32" LONG), BIG TWIN 1978-'84 <b>*U.S.A*</b>
19	V-13-108	16852-67A	each TOP MOTOR MOUNT, (STOCK) <b>**CHROME**</b> BIG TWIN 1948-1984
	V-13-111	16853-48	each MOTOR MOUNT, W/KEY SWITCH HOLE, <b>**CHROME**</b> B/T 1948-1984
	V-13-109	16853-48	each MOTOR MOUNT, W/CHOKE MOUNT, <b>**CHROME**</b> B/T 1948-1984
20	A-16864-48	16864-48	pk-4 STUDS, MOTOR MOUNT TO CYLINDER HEAD, BIG TWIN 1948-1984
21	M-4-4538	17506-66A 16864-48	set-10 STUDS, ROCKER BOXES, (WITH 16864-48), BIG TWIN 1966-1984
22	H-3880	18000-81	pk-10 SEALS, VALVE GUIDE, (INTAKE & EXHAUST), BIG TWIN 1979-1985
	H-3879		pk-10 SEALS, VALVE GUIDE, (INTAKE & EXHAUST), BIG TWIN 1948-1978
23	E-603-N	18075-80	each VALVE, <b>**INTAKE**</b> (NITRIDE FINISH), BIG TWIN 1966-1984
	E-603-C	18078-80	each VALVE, <b>**INTAKE**</b> (HARD CHROME FINISH), BIG TWIN 1966-1984
	E-603-SS		each VALVE, <b>**INTAKE**</b> (STAINLESS), BIG TWIN 1966-1984
	E-603-1-C	18074-66	each VALVE, <b>**INTAKE**</b> (HARD CHROME) (2" O/S) BIG TWIN 1966-1984
	E-603-1-N	18074-66	each VALVE, <b>**INTAKE**</b> (NITRIDE FINISH) (2" O/S) BIG TWIN 1966-1984
	E-603-1-SS	18074-66	each VALVE, <b>**INTAKE**</b> (STAINLESS) (2" O/S) BIG TWIN 1966-1984
24	E-612	18082-57A	each VALVE, <b>**EXHAUST**</b> (PLAIN FINISH), BIG TWIN 1948-1984
	E-612-C	18089-80	each VALVE, <b>**EXHAUST**</b> (HARD CHROME FINISH), BIG TWIN 1948-1984
	E-612-N	18086-80	each VALVE, <b>**EXHAUST**</b> (NITRIDE FINISH), BIG TWIN 1948-1984
	E-612-1-N	18082-57-1	each VALVE, <b>**EXHAUST**</b> (NITRIDE FINISH) (1/8" O/S) BIG TWIN 1948-'84
	E-612-SS		each VALVE, <b>**EXHAUST**</b> (STAINLESS), BIG TWIN 1948-1984
	E-611		each VALVE, <b>**EXHAUST**</b> (PLAIN FINISH) (1/8" O/S) BIG TWIN 1966-1984

**\*\*CONTINUED ON NEXT PAGE\*\***

**\*5120 HILDA ROAD\* BLACKVILLE, S.C. 29817\* 803-284-3304\***



# **\*\*EASTERN MOTORCYCLE PARTS\*\***

## **\*\*CYLINDER HEAD\*\***

### **\*\*SHOVELHEAD\*\***

### **\*\*BIG TWIN 1966-1984\*\***

<b>DIAGRAM NUMBER</b>	<b>EASTERN NUMBER</b>	<b>REPLACES OEM</b>	<b>DESCRIPTION</b>
25	A-18105-79	18105-79 pk-10	RETAINING RING, VALVE GUIDES, BIG TWIN 1980-E/1981
26	L-3-560	18196-51 pk-10	GASKETS, VALVE GUIDES, BIG TWIN 1948-1978, SPORT. 1952-1956
27	A-18205-82	18201-82 set-8 18202-82	VALVE SPRINGS, (SET-8) <b>**INNER &amp; OUTERS**</b> BIG TWIN 1966-1984
28	A-18219-81	18219-81 pk-4	VALVE COLLARS, <b>**UPPER**</b> (SET-4), BIG TWIN 1981-1984
	A-18221-36	18221-36 pk-4	VALVE COLLARS, <b>**UPPER**</b> (SET-4), BIG TWIN 1936-1981
29	A-18222-48	18222-48 pk-4	VALVE COLLARS, <b>**LOWER**</b> (SET-4), BIG TWIN 1948-1979
	A-18222-79	18222-79 pk-4	VALVE COLLARS, <b>**LOWER**</b> (SET-4), BIG TWIN 1980-1981
	A-18222-81	18222-81 pk-4	VALVE COLLARS, <b>**LOWER**</b> (SET-4), BIG TWIN 1981-1984
30	A-18228-36	18228-36 set-4	VALVE KEEPERS, (SET-4), BIG TWIN 1937-1984
31	E-407	63501-68 each	FUEL LINE, (1/4") <b>**BLACK NEOPRENE**</b> (25-FOOT LENGTHS)
	E-402	each	FUEL LINE, (1/4") <b>**CLEAR NYLON BRAIDED**</b> (25-FOOT LENGTHS)

### **\*\*VALVE GUIDES / WITH SHOULDER\*\***

32

**\*\*\*SEE PAGE 148 FOR BRONZE VALVE GUIDES\*\*\***

**\*\*I.D. NOT FINISHED\*\***

E-371	18109-81A	each	VALVE GUIDE, (.001) (.625 OD) INTAKE & EXHAUST B/T 1980-1984
E-372	18108-81A	each	VALVE GUIDE, (.002) (.627 OD) INTAKE & EXHAUST B/T 1980-1984
E-373	18107-81A	each	VALVE GUIDE, (.003) (.628 OD) INTAKE & EXHAUST B/T 1980-1984
E-374	18106-81A	each	VALVE GUIDE, (.004) (.629 OD) INTAKE & EXHAUST B/T 1980-1984
E-376	18104-81A	each	VALVE GUIDE, (.006) (.631 OD) INTAKE & EXHAUST B/T 1980-1984
E-378	18103-81A	each	VALVE GUIDE, (.008) (.633 OD) INTAKE & EXHAUST B/T 1980-1984
E-379	18102-81A	each	VALVE GUIDE, (.010) (.635 OD) INTAKE & EXHAUST B/T 1980-1984
E-380		each	VALVE GUIDE, (.012) (.637 OD) INTAKE & EXHAUST B/T 1980-1984
E-382		each	VALVE GUIDE, (.015) (.640 OD) INTAKE & EXHAUST B/T 1980-1984

**\*\*I.D. NOT FINISHED\*\***

E-320	18138-79C	each	VALVE GUIDE, (STD) (.566 OD) INT. & EX. BIG TWIN 1948-1979
E-321	18138-79A	each	VALVE GUIDE, (.001) (.567 OD) INT. & EX. BIG TWIN 1948-1979
E-322	18143-79A	each	VALVE GUIDE, (.002) (.568 OD) INT. & EX. BIG TWIN 1948-1979
E-324	18141-79A	each	VALVE GUIDE, (.004) (.570 OD) INT. & EX. BIG TWIN 1948-1979
E-326	18140-79A	each	VALVE GUIDE, (.006) (.573 OD) INT. & EX. BIG TWIN 1948-1979
E-328	18139-79A	each	VALVE GUIDE, (.008) (.574 OD) INT. & EX. BIG TWIN 1948-1979
E-330		each	VALVE GUIDE, (.010) (.576 OD) INT. & EX. BIG TWIN 1948-1979
E-332		each	VALVE GUIDE, (.012) (.578 OD) INT. & EX. BIG TWIN 1948-1979
E-335		each	VALVE GUIDE, (.015) (.581 OD) INT. & EX. BIG TWIN 1948-1979
E-339		each	VALVE GUIDE, (.020) (.586 OD) INT. & EX. BIG TWIN 1948-1979

**\*\*I.D. FINISHED\*\***

E-430	18185-48	each	VALVE GUIDE, (STD) (.566 OD) INTAKE, BIG TWIN 1948-1979
E-431	18165-49	each	VALVE GUIDE, (.002) (.568 OD) INTAKE, BIG TWIN 1948-1979
E-432	18167-49	each	VALVE GUIDE, (.004) (.570 OD) INTAKE, BIG TWIN 1948-1979
E-433	18168-49	each	VALVE GUIDE, (.006) (.572 OD) INTAKE, BIG TWIN 1948-1979
E-434	18170-49	each	VALVE GUIDE, (.008) (.574 OD) INTAKE, BIG TWIN 1948-1979
E-435		each	VALVE GUIDE, (.010) (.576 OD) INTAKE, BIG TWIN 1948-1979

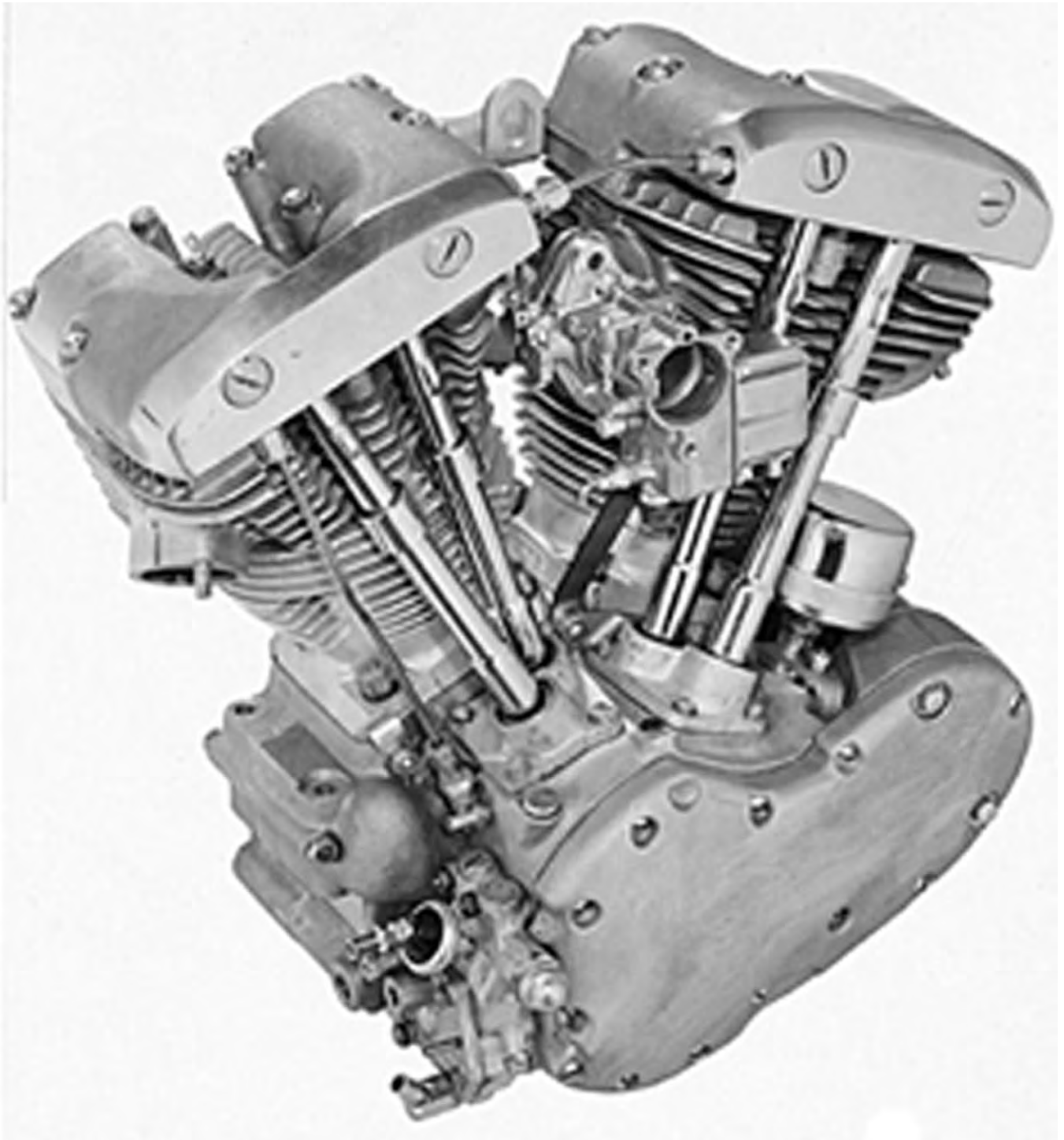
**\*\*I.D. FINISHED\*\***

E-440	18181-48	each	VALVE GUIDE, (STD) (.566 OD) EXHAUST, BIG TWIN 1948-1979
E-441	18183-48	each	VALVE GUIDE, (.002) (.568 OD) EXHAUST, BIG TWIN 1948-1979
E-442	18187-51	each	VALVE GUIDE, (.004) (.570 OD) EXHAUST, BIG TWIN 1948-1979
E-443	18193-51	each	VALVE GUIDE, (.006) (.572 OD) EXHAUST, BIG TWIN 1948-1979
E-444	18194-51	each	VALVE GUIDE, (.008) (.574 OD) EXHAUST, BIG TWIN 1948-1979
E-445		each	VALVE GUIDE, (.010) (.576 OD) EXHAUST, BIG TWIN 1948-1979

**\*\*SEE PAGE 147-150 FOR COMPLETE LIST OF VALVE GUIDES\*\***

**\*5120 HILDA ROAD\* BLACKVILLE, S.C. 29817\* 803-234-3304\***

**\*\*EASTERN MOTORCYCLE PARTS\*\***



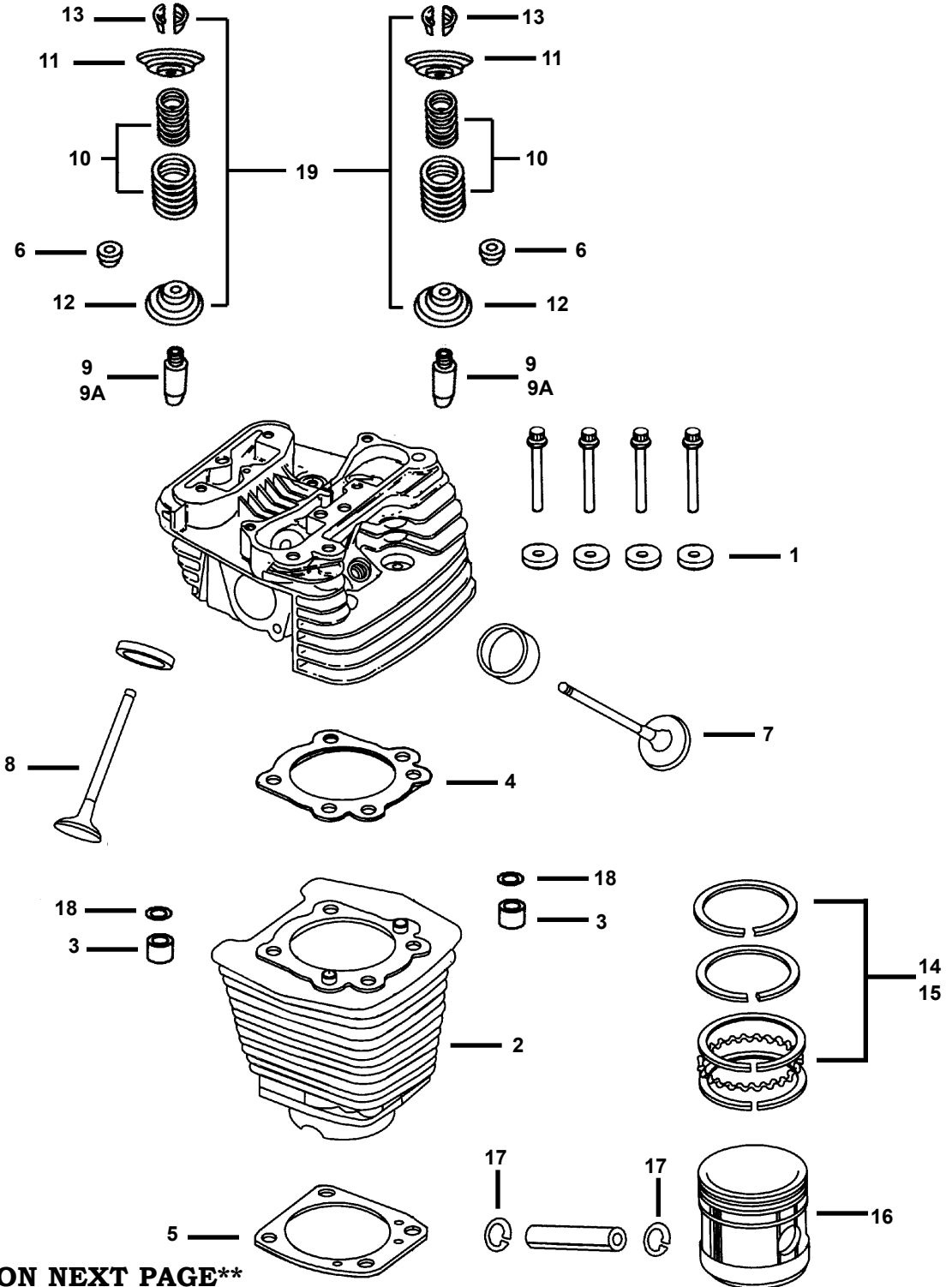
**\*5120 HILDA ROAD\* BLACKVILLE, S.C. 29817\* 803-284-3304\***

# \*\*EASTERN MOTORCYCLE PARTS\*\*

## \*\*CYLINDER HEAD\*\*

### \*\*EVOLUTION 1340 C/C\*\*

### \*\*BIG TWIN 1984-1999\*\*



\*\*CONTINUED ON NEXT PAGE\*\*

# **\*\*EASTERN MOTORCYCLE PARTS\*\***

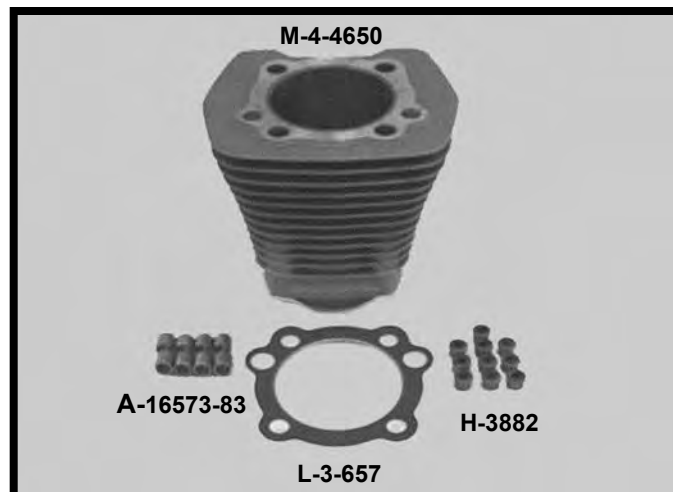
## **\*\*CYLINDER HEAD\*\***

### **\*\*EVOLUTION 1340 C/C\*\***

#### **\*\*BIG TWIN 1984-1999\*\***

<b>DIAGRAM NUMBER</b>	<b>EASTERN NUMBER</b>	<b>REPLACES OEM</b>	<b>DESCRIPTION</b>
1	A-16482-83	16482-83 pk-4	WASHER, HEAD BOLTS <b>**ZINC PLATED**</b> BIG TWIN 1984-E/1985
	A-16482-85	16482-85 pk-4	WASHER, HEAD BOLTS <b>**ZINC PLATED**</b> BIG TWIN L/1985-1992
2	M-4-4650	16510-83A each	CYLINDER ONLY <b>**FRONT OR REAR**</b> (1340C/C) BIG TWIN 1984-1998
	M-4-4654	16510-83A set-2	CYLINDERS, <b>**FRONT &amp; REAR** (NOT FITTED)</b> BIG TWIN 1984-1994 <b>SET INCLUDES: (2) CYLINDERS, PISTONS AND RINGS</b>
3	A-16573-83	16573-83 pk-8	INSERT, CYLINDER HEAD, BIG TWIN 1984-PRESENT
4	L-3-657	16770-84D pair	HEAD GASKETS <b>**FIRE RING**</b> (.062 THICK) BIG TWIN 1984-1999
	L-3-854	16770-84 pair	HEAD GASKETS <b>**BLUE TEFLON**</b> (.062 THICK) BIG TWIN 1984-1999.
	L-3-659	16773-85 pair	HEAD GASKETS <b>**FIRE RING**</b> (.045 THICK) BIG TWIN 1984-1999
5	L-3-958	16774-86A pk-10	CYLINDER BASE GASKET <b>**FRONT OR REAR**</b> BIG TWIN 1984-1999
6	H-3882	18001-83A pk-10	VALVE GUIDE SEALS, INTAKE AND EXHAUST, BIG TWIN 1984-2004
7	E-500-C	18074-83A each	VALVE, <b>**INTAKE**</b> (HARD CHROME) <b>**STD LENGTH**</b> BIG TWIN 1984-P.
	E-500-N	18074-83A each	VALVE, <b>**INTAKE**</b> (NITRIDE) <b>**STD LENGTH**</b> BIG TWIN 1984-PRES.
	E-500-SS	18074-83A each	VALVE, <b>**INTAKE**</b> (STAINLESS) <b>**STD LENGTH**</b> BIG TWIN 1984-PRES.
	E-501-SS	18074-83A each	VALVE, <b>**INTAKE**</b> (STAINLESS) <b>**OVERSIZE**</b> BIG TWIN 1984-PRES.
	E-503-N	18076-83 each	VALVE, <b>**INTAKE**</b> (NITRIDE) <b>**0.30 SHORTER**</b> BIG TWIN 1984-1999
8	E-510-C	18082-83 each	VALVE, <b>**EXHAUST**</b> (HARD CHROME)*STD LENGTH*BIG TWIN 1984-'99
	E-510-N	18083-83 each	VALVE, <b>**EXHAUST**</b> (NITRIDE) <b>**STD LENGTH**</b> BIG TWIN 1984-1999
	E-511-N	18087-83 each	VALVE, <b>**EXHAUST**</b> (NITRIDE) <b>**0.30 SHORTER**</b> BIG TWIN 1984-1999
9	E-360	18112-92 each	VALVE GUIDE, <b>STD, (.562 O.D)</b> INT. & EX., (I.D. NOT FINISHED) B/T 84-'04
	E-361	18130-83C each	VALVE GUIDE, <b>.001, (.563 O.D)</b> INT. & EX., (I.D. NOT FINISHED) B/T 84-'04
	E-362	18133-83A each	VALVE GUIDE, <b>.002, (.564 O.D)</b> INT. & EX., (I.D. NOT FINISHED) B/T 84-'04
	E-363	18131-83C each	VALVE GUIDE, <b>.003, (.565 O.D)</b> INT. & EX., (I.D. NOT FINISHED) B/T 84-'04
	E-364	each	VALVE GUIDE, <b>.004, (.566 O.D)</b> INT. & EX., (I.D. NOT FINISHED) B/T 84-'04
	E-365	18132-83B each	VALVE GUIDE, <b>.005, (.567 O.D)</b> INT. & EX., (I.D. NOT FINISHED) B/T 84-'04
9A	29-0620	18112-92 each	VALVE GUIDE, <b>STD, IN. &amp; EX., *BRONZE* (I.D. FINISHED)</b> B/T 1984-2004
	29-0622	18133-83A each	VALVE GUIDE, <b>.002, IN. &amp; EX., *BRONZE* (I.D. FINISHED)</b> B/T 1984-2004
	29-0624	each	VALVE GUIDE, <b>.004, IN. &amp; EX., *BRONZE* (I.D. FINISHED)</b> B/T 1984-2004
	29-0626	each	VALVE GUIDE, <b>.006, IN. &amp; EX., *BRONZE* (I.D. FINISHED)</b> B/T 1984-2004
	29-0628	each	VALVE GUIDE, <b>.008, IN. &amp; EX., *BRONZE* (I.D. FINISHED)</b> B/T 1984-2004
	29-0630	each	VALVE GUIDE, <b>.010, IN. &amp; EX., *BRONZE* (I.D. FINISHED)</b> B/T 1984-2004
	29-0632	each	VALVE GUIDE, <b>.012, IN. &amp; EX., *BRONZE* (I.D. FINISHED)</b> B/T 1984-2004

**\*\*CONTINUED ON NEXT PAGE\*\***



# **\*\*EASTERN MOTORCYCLE PARTS\*\***

## **\*\*CYLINDER HEAD\*\***

### **\*\*EVOLUTION 1340 C/C\*\***

### **\*\*BIG TWIN 1984-1999\*\***

<u>DIAGRAM NUMBER</u>	<u>EASTERN NUMBER</u>	<u>REPLACES OEM</u>	<u>DESCRIPTION</u>
10	A-18206-83	18201-83 set-8 18202-83	VALVE SPRINGS, INNER AND OUTER, BIG TWIN 1984-2004
11	A-18219-83A	18219-83A pk-4	VALVE SPRING COLLAR <b>**UPPER**</b> BIG TWIN 1984-2004
12	A-18222-83	18222-83 pk-4	VALVE SPRING COLLAR <b>**LOWER**</b> BIG TWIN 1984-2004
13	A-18229-83	18229-83 set-4	VALVE STEM KEEPERS, BIG TWIN 1984-2004
14	H-6164-STD	21920-83 set-2	PISTON RINGS <b>**IMPORTED**</b> BIG TWIN 1984-1999
	H-6164-005	21921-83 set-2	PISTON RINGS <b>**IMPORTED**</b> BIG TWIN 1984-1999
	H-6164-010	21922-83 set-2	PISTON RINGS <b>**IMPORTED**</b> BIG TWIN 1984-1999
	H-6164-020	21923-83 set-2	PISTON RINGS <b>**IMPORTED**</b> BIG TWIN 1984-1999
	H-6164-030	21924-83 set-2	PISTON RINGS <b>**IMPORTED**</b> BIG TWIN 1984-1999
	H-6164-040	21925-83 set-2	PISTON RINGS <b>**IMPORTED**</b> BIG TWIN 1984-1999
15	H-6195-STD	21920-83 set-2	PISTON RINGS <b>**HASTINGS**</b> BIG TWIN 1984-1999
	H-6195-005	21921-83 set-2	PISTON RINGS <b>**HASTINGS**</b> BIG TWIN 1984-1999
	H-6195-010	21922-83 set-2	PISTON RINGS <b>**HASTINGS**</b> BIG TWIN 1984-1999
	H-6195-020	21923-83 set-2	PISTON RINGS <b>**HASTINGS**</b> BIG TWIN 1984-1999
	H-6195-030	21924-83 set-2	PISTON RINGS <b>**HASTINGS**</b> BIG TWIN 1984-1999
	H-6195-040	21925-83 set-2	PISTON RINGS <b>**HASTINGS**</b> BIG TWIN 1984-1999
16	E-837-STD	21940-83 pair	PISTONS, <b>WITH IMPORTED RINGS</b> (8.5 TO 1 COMP.) BIG TWIN 1984-'99
	E-837-005	21941-83 pair	PISTONS, <b>**WITH HASTINGS RINGS**</b> (8.5 TO 1 COMP.) BIG TWIN 1984-'99
	E-837-010	21942-83 pair	PISTONS, <b>WITH IMPORTED RINGS</b> (8.5 TO 1 COMP.) BIG TWIN 1984-'99
	E-837-020	21943-83 pair	PISTONS, <b>WITH IMPORTED RINGS</b> (8.5 TO 1 COMP.) BIG TWIN 1984-'99
	E-837-030	21944-83 pair	PISTONS, <b>WITH IMPORTED RINGS</b> (8.5 TO 1 COMP.) BIG TWIN 1984-'99
	E-837-040	21945-83 pair	PISTONS, <b>WITH IMPORTED RINGS</b> (8.5 TO 1 COMP.) BIG TWIN 1984-'99
17	A-22589-83A	22589-83A pk-10	RETAINING RING, PISTON PINS, BIG TWIN 1984-1999
18	A-26432-76A	26432-76A pk-10	O-RINGS, CYLINDER STUD INSERT, BIG TWIN 1984-2007
19	15-0042	15-0042 set-16	SPRING KIT, WITH COLLARS AND KEEPERS, BIG TWIN 1984-2004



**\*\*EASTERN MOTORCYCLE PARTS\*\***



**\*5120 HILDA ROAD\* BLACKVILLE, S.C. 29817\* 803-284-3304\***

# \*\*EASTERN MOTORCYCLE PARTS\*\*

## \*\*CYLINDER HEAD\*\*

\*\*1450/1550 C/C\*\*

\*\*BIG TWIN 2000-PRESENT

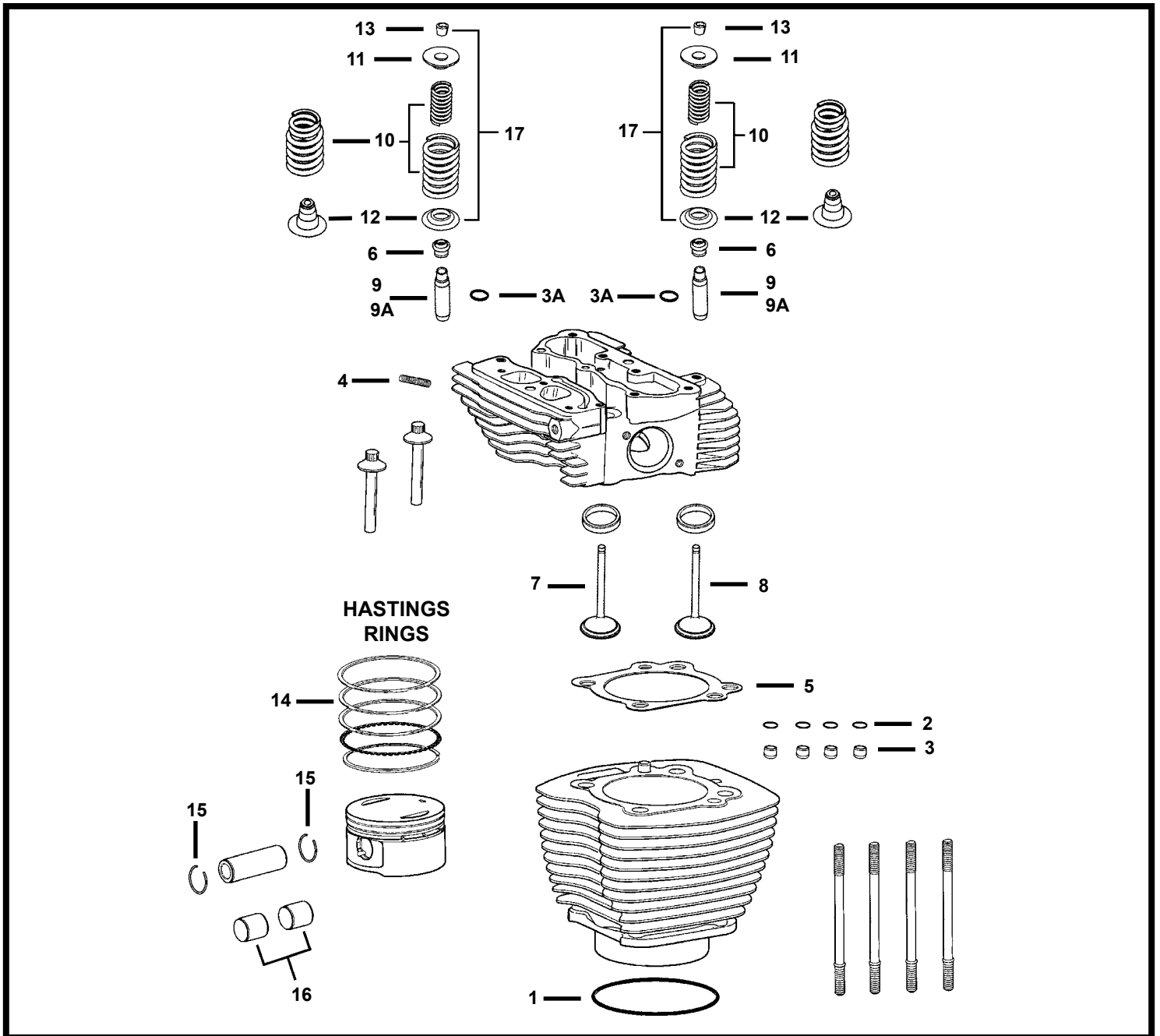


DIAGRAM NUMBER	EASTERN NUMBER	REPLACES OEM	DESCRIPTION
1	A-11256	11256	pk-10 O-RINGS, CYLINDER SPIGOT TO CASE **2-CAM** BIG TWIN 1999-PRES.
2	A-11273	11273	pk-10 O-RINGS, CYLINDER DECK DOWEL PIN, **2-CAM** BIG TWIN 1998-PRES
3	A-16595-99A	16595-99A	pk-10 DOWEL PIN, CYLINDER HEAD**2-CAM** BIG TWIN 1998-PRESENT
3A	42-0300	16699-06	pk-10 RETAINING RING, VALVE GUIDE, BIG TWIN 200-PRES., SPORT 2010-P.

\*\*CONTINUED NEXT PAGE\*\*

\*5120 HILDA ROAD\* BLACKVILLE, S.C. 29817\* 803-284-3304\*

# **\*\*EASTERN MOTORCYCLE PARTS\*\***

## **\*\*CYLINDER HEAD\*\***

**\*\*1450/1550 C/C\*\***

**\*\*BIG TWIN 2000-PRESENT**

<u>DIAGRAM NUMBER</u>	<u>EASTERN NUMBER</u>	<u>REPLACES OEM</u>	<u>DESCRIPTION</u>
4	C-2188-4	16715-83	pk-4 STUDS, EXHAUST PORT, BIG TWIN 1984-1999, SPORTSTER 1986-PRES.
5	47-0135	16775-99	pair HEAD GASKETS <b>**FIRE RING**</b> (1450C/C) <b>**1/16" THICK**</b> B/T 1999-PRES
	47-0137	16775-99	pair HEAD GASKETS <b>**BLUE TEFLON**</b> (1450C/C) <b>** .043 THICK**</b> B/T 1999-P.
	47-0145	16787-99	pair HEAD GASKETS <b>**FIRE RING**</b> (1550C/C) <b>** .062 THICK**</b> B/T 1999-PRES
	47-0147	16787-99	pair HEAD GASKETS <b>**BLUE TEFLON**</b> (1550C/C) <b>** .043**</b> B/T 1999-PRESENT
6	H-3882	18001-83A	pk-10 SEALS, VALVE GUIDE <b>**INTAKE &amp; EXHAUST**</b> BIG TWIN 1984-2004
7	E-500-C	18074-83A	each VALVE, <b>**INTAKE**</b> (HARD CHROME) <b>**STD LENGTH**</b> BIG TWIN 1984-'04
	E-500-N	18074-83A	each VALVE, <b>**INTAKE**</b> (NITRIDE) <b>**STD LENGTH**</b> BIG TWIN 1984-2004
	E-500-SS	18074-83A	each VALVE, <b>**INTAKE**</b> (STAINLESS) <b>**STD LENGTH**</b> BIG TWIN 1984-2004
	E-501-SS	18074-83A	each VALVE, <b>**INTAKE**</b> (STAINLESS) <b>**OVERSIZE**</b> BIG TWIN 1984-2004
8	E-524-N	18085-99	each VALVE, <b>**EXHAUST**</b> (NITRIDE) BIG TWIN 2000-2004
9	E-360	18112-92	each VALVE GUIDE, <b>STD, (.562 O.D)</b> INT. & EX., (I.D. NOT FINISHED) B/T 84-'04
	E-361	18130-83C	each VALVE GUIDE, <b>.001, (.563 O.D)</b> INT. & EX., (I.D. NOT FINISHED) B/T 84-'04
	E-362	18133-83A	each VALVE GUIDE, <b>.002, (.564 O.D)</b> INT. & EX., (I.D. NOT FINISHED) B/T 84-'04
	E-363	18131-83C	each VALVE GUIDE, <b>.003, (.565 O.D)</b> INT. & EX., (I.D. NOT FINISHED) B/T 84-'04
	E-364		each VALVE GUIDE, <b>.004, (.566 O.D)</b> INT. & EX., (I.D. NOT FINISHED) B/T 84-'04
	E-365	18132-83B	each VALVE GUIDE, <b>.005, (.567 O.D)</b> INT. & EX., (I.D. NOT FINISHED) B/T 84-'04
9A	29-0620	18112-92	each VALVE GUIDE <b>STD**</b> IN. & EX., <b>*BRONZE* (I.D. FINISHED)</b> B/T 1984-2004
	29-0622	18133-83A	each VALVE GUIDE, <b>.002, IN. &amp; EX., *BRONZE* (I.D. FINISHED)</b> B/T 1984-2004
	29-0624		each VALVE GUIDE, <b>.004, IN. &amp; EX., *BRONZE* (I.D. FINISHED)</b> B/T 1984-2004
	29-0626		each VALVE GUIDE, <b>.006, IN. &amp; EX., *BRONZE* (I.D. FINISHED)</b> B/T 1984-2004
	29-0628		each VALVE GUIDE, <b>.008, IN. &amp; EX., *BRONZE* (I.D. FINISHED)</b> B/T 1984-2004
	29-0630		each VALVE GUIDE, <b>.010, IN. &amp; EX., *BRONZE* (I.D. FINISHED)</b> B/T 1984-2004
	29-0632		each VALVE GUIDE, <b>.012, IN. &amp; EX., *BRONZE* (I.D. FINISHED)</b> B/T 1984-2004
10	A-18206-83	18201-83 18202-83	set-8 VALVE SPRINGS, <b>**INNERS AND OUTERS**</b> BIG TWIN 1984-2004
11	A-18219-83A	18219-83A	pk-4 VALVE SPRING COLLARS <b>**UPPER**</b> BIG TWIN 1984-2004
12	A-18094-02	18094-02	pk-4 VALVE SPRING COLLARS, <b>W/VALVE SEAL</b> <b>**LOWER**</b> BIG TWIN 2005-P.
	A-18222-83	18222-83	pk-4 VALVE SPRING COLLARS <b>**LOWER**</b> BIG TWIN 1984-2004
	A-18258-02	18258-02	pk-4 VALVE SPRING COLLAR <b>**UPPER**</b> BIG TWIN 2005-P., SPORT. 2004-P.
13	A-18229-83	18229-83	set-4 VALVE STEM RETAINERS, BIG TWIN 1984-2004
	A-18260-02	18260-02	set-4 VALVE STEM RETAINERS, BIG TWIN 2005-PRESENT
14	10-0360	21936-99	set-2 PISTON RING SET <b>**STD** (1450C/C) **MOLY**</b> BIG TWIN 1999-PRESENT
	10-0361	21937-99	set-2 PISTON RING SET <b>** .005** (1450C/C) **MOLY**</b> BIG TWIN 1999-PRESENT
	10-0362	21938-99	set-2 PISTON RING SET <b>** .010** (1450C/C) **MOLY**</b> BIG TWIN 1999-PRESENT
	10-0363	21916-99	set-2 PISTON RING SET <b>** .020** (1450C/C) **MOLY**</b> BIG TWIN 1999-PRESENT
	10-0364		set-2 PISTON RING SET <b>** .030** (1450C/C) **MOLY**</b> BIG TWIN 1999-PRESENT
	10-0365		set-2 PISTON RING SET <b>** .040** (1450C/C) **MOLY**</b> BIG TWIN 1999-PRESENT
	10-0366		set-2 PISTON RING SET <b>** .050** (1450C/C) **MOLY**</b> BIG TWIN 1999-PRESENT
	10-0367		set-2 PISTON RING SET <b>** .060** (1450C/C) **MOLY**</b> BIG TWIN 1999-PRESENT
	10-0368		set-2 PISTON RING SET <b>** .070** (1450C/C) **MOLY**</b> BIG TWIN 1999-PRESENT
	10-0400	21918-99	set-2 PISTON RING SET <b>**STD** (1550C/C) **MOLY**</b> BIG TWIN 1999-PRESENT
	10-0401	21919-99	set-2 PISTON RING SET <b>** .005** (1550C/C) **MOLY**</b> BIG TWIN 1999-PRESENT
	10-0402	21945-99	set-2 PISTON RING SET <b>** .010** (1550C/C) **MOLY**</b> BIG TWIN 1999-PRESENT
	10-0403	21946-99	set-2 PISTON RING SET <b>** .020** (1550C/C) **MOLY**</b> BIG TWIN 1999-PRESENT
	10-0404	21947-99	set-2 PISTON RING SET <b>** .030** (1550C/C) **MOLY**</b> BIG TWIN 1999-PRESENT
	10-0405		set-2 PISTON RING SET <b>** .040** (1550C/C) **MOLY**</b> BIG TWIN 1999-PRESENT
15	A-22097-99	22097-99	pk-10 RETAINING RING, PISTON PINS, BIG TWIN 1984-PRESENT
16	A-24316-99	24316-99	pair BUSHING, PISTON PIN <b>**STD**</b> BIG TWIN 1999-2006
17	15-0042		set-16 SPRING KIT, WITH COLLARS & KEEPERS** BIG TWIN 1984-2004

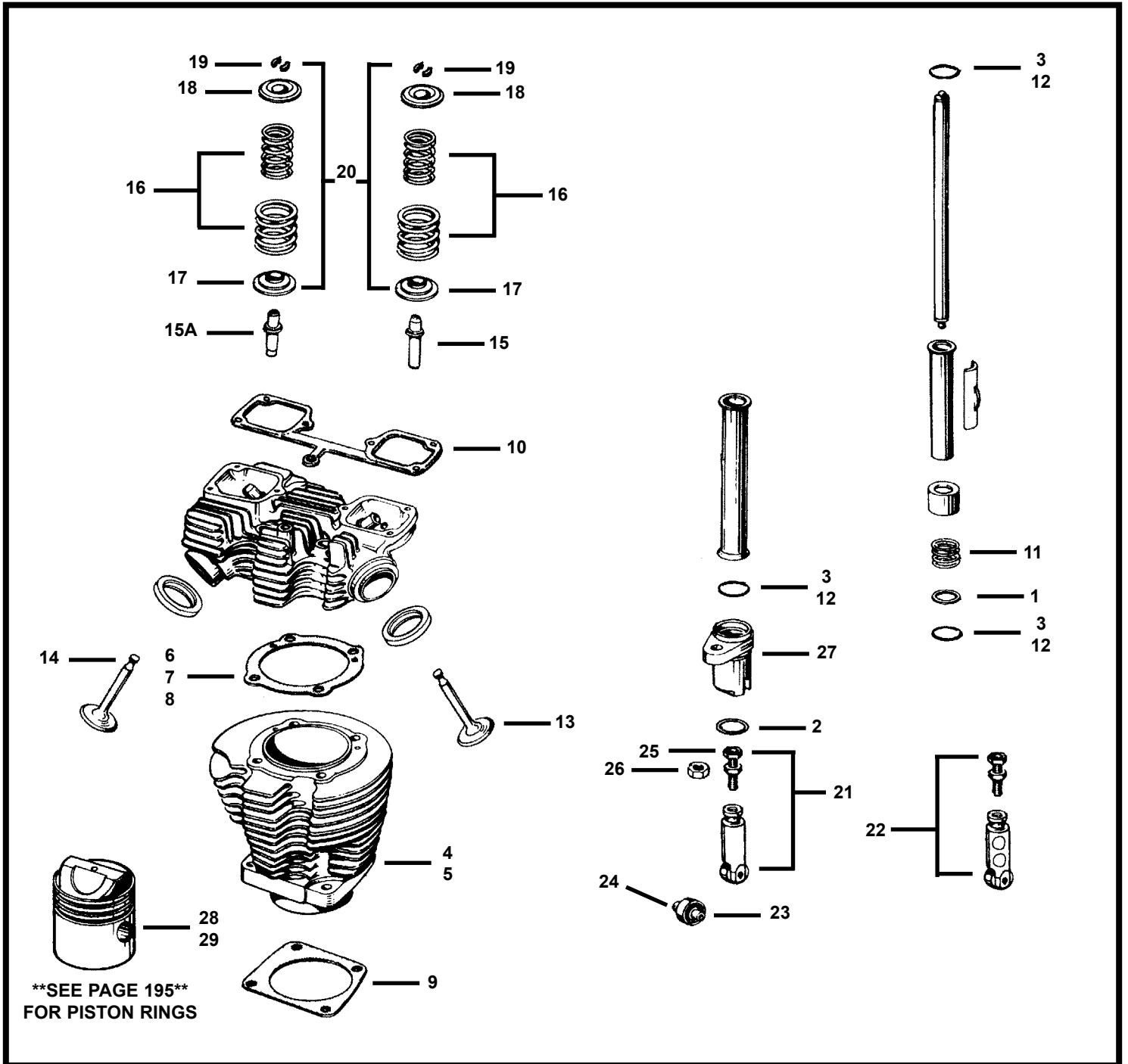


# \*\*EASTERN MOTORCYCLE PARTS\*\*

## \*\*CYLINDER HEAD\*\*

\*\*900 C/C AND 1000 C/C\*\*

\*\*SPORTSTER 1954-1985\*\*



\*\*CONTINUED NEXT PAGE\*\*

# **\*\*EASTERN MOTORCYCLE PARTS\*\***

## **\*\*CYLINDER HEAD\*\***

### **\*\*900 C/C AND 1000 C/C\*\***

#### **\*\*SPORTSTER 1954-1985\*\***

<b>DIAGRAM NUMBER</b>	<b>EASTERN NUMBER</b>	<b>REPLACES OEM</b>	<b>DESCRIPTION</b>
1	A-6762B	6762B	pk-10 WASHER, PUSH ROD TUBES <b>**030**</b> SPORTSTER 1957-1998
2	A-11100	11100	pk-10 O-RING, TAPPET GUIDES, SPORTSTER 1957-1985
3	A-11101	11101	pk-10 O-RING, ROCKER ARM SHAFT, SPORTSTER 1957-1985
	A-11101X	11101X	pk-10 O-RING, ROCKER ARM SHAFT <b>**OVERSIZE**</b> SPORTSTER 1957-1985
	A-11132	11132	pk-10 O-RING, PUSHROD COVER, SPORTSTER 1979-1989
	A-11157	11157	pk-10 O-RING, PUSHROD COVER, SPORTSTER 1984-2006
4	M-4-4558	16464-57	each CYLINDER ONLY, <b>**FRONT** (900C/C)</b> SPORTSTER 1957-1978
	M-4-4559	16465-57	each CYLINDER ONLY, <b>**REAR** (900C/C)</b> SPORTSTER 1957-1978
	M-4-4560		set-2 CYLINDER ONLY, <b>**FRONT &amp; REAR** (900C/C)</b> SPORTSTER 1957-1978
5	M-4-4553	16464-73B	each CYLINDER ONLY, <b>**FRONT** (1000C/C)</b> SPORTSTER 1973-1985
	M-4-4554	16465-73B	each CYLINDER ONLY, <b>**REAR** (1000C/C)</b> SPORTSTER 1973-1985
	M-4-4555		set-2 CYLINDER ONLY, <b>**FRONT &amp; REAR** (1000C/C)</b> SPORTSTER 1973-1985
6	L-3-842	16769-57T	pair HEAD GASKETS <b>**BLUE TEFLON**</b> SPORTSTER 1957-E/1971
	L-3-843	16769-57	pk-10 HEAD GASKETS <b>**GRAPHITE**</b> SPORTSTER 1957-E/971
	L-3-843C	16769-57	pair HEAD GASKETS <b>**COPPER .020 THICK**</b> SPORTSTER 1957-E/1971
7	L-3-673	16769-72A	pair HEAD GASKETS <b>**FIRE RING**</b> SPORTSTER 1973-1985
	L-3-844	16769-72A	pair HEAD GASKETS <b>**COPPER .021 THICK**</b> SPORTSTER L/1971-E/1973
	L-3-844A	16769-72A	pair HEAD GASKETS <b>**BLUE TEFLON**</b> SPORTSTER L/1971-E/1973
8	L-3-845	16769-73	pair HEAD GASKETS <b>**COPPER .021 THICK**</b> SPORTSTER L/1973-1985
	L-3-845A	16769-82	pair HEAD GASKETS <b>**COPPER .045 THICK**</b> SPORTSTER L/1973-1985
	L-3-846	16769-73	pair HEAD GASKETS <b>**BLUE TEFLON**</b> SPORTSTER L/1973-1985
9	L-3-956	16774-57	pk-10 GASKET, CYLINDER BASE <b>**900C/C**</b> SPORTSTER 1957-1972
	L-3-957	16774-72	pk-10 GASKET, CYLINDER BASE <b>**1000 C/C**</b> SPORTSTER 1972-1985
10	L-3-941	17536-70	pk-10 GASKET, ROCKER ARM COVER <b>**1/32 THICK**</b> SPORTSTER 1957-1985
11	A-17947-36	17947-36	pk-10 SPRINGS, PUSH ROD COVER, SPORTSTER 1957-1998
12	L-3-805	17955-36	pk-25 PUSH ROD CORKS <b>**UPPER**</b> SPORTSTER 1957-1979
13	E-604	18070-58	each VALVE, <b>**INTAKE**</b> (PLAIN FINISH) <b>**900 C/C**</b> SPORTSTER 1957-1969
	E-604-N	18070-58	each VALVE, <b>**INTAKE**</b> (NITRIDE) <b>**900 C/C**</b> SPORTSTER 1957-1969
	E-604-SS	18070-58	each VALVE, <b>**INTAKE**</b> (STAINLESS) <b>**900 C/C**</b> SPORTSTER 1957-1969
	E-605	18070-70	each VALVE, <b>**INTAKE**</b> (PLAIN FINISH) <b>**1000 C/C**</b> SPORTSTER 1970-1985
	E-605-C	18028-80	each VALVE, <b>**INTAKE**</b> (CHROME) <b>**1000 C/C**</b> SPORTSTER 1970-1985
	E-605-N	18027-80	each VALVE, <b>**INTAKE**</b> (NITRIDE) <b>**1000 C/C**</b> SPORTSTER 1970-1985
	E-605-SS	18070-70	each VALVE, <b>**INTAKE**</b> (STAINLESS) <b>**1000 C/C**</b> SPORTSTER 1970-1985
14	E-613	18080-58A	each VALVE, <b>**EXHAUST**</b> (PLAIN FINISH) <b>**900/1000 C/C**</b> SP. 1970-1985
	E-613-C	18036-80	each VALVE, <b>**EXHAUST**</b> (CHROME) <b>**900/1000 C/C**</b> SPORT. 1970-1985
	E-613-N	18033-80	each VALVE, <b>**EXHAUST**</b> (NITRIDE) <b>**900/1000 C/C**</b> SPORT. 1970-1985
	E-613-SS	18080-58A	each VALVE, <b>**EXHAUST**</b> (STAINLESS) <b>**900/1000 C/C**</b> SPORT. 1970-1985
15	E-460	18176-57B	each VALVE GUIDE, INTAKE <b>**STD** (.565 OD)</b> (I.D. FINISHED) SP. 57-E/1983
	E-461	18179-57B	each VALVE GUIDE, INTAKE <b>**001** (.566 OD)</b> (I.D. FINISHED) SP. 57-E/1983
	E-462	18180-57B	each VALVE GUIDE, INTAKE <b>**002** (.567 OD)</b> (I.D. FINISHED) SP. 57-E/1983
	E-463	18191-79	each VALVE GUIDE, INTAKE <b>**004** (.569 OD)</b> (I.D. FINISHED) SP. 57-E/1983
	E-464		each VALVE GUIDE, INTAKE <b>**006** (.571 OD)</b> (I.D. FINISHED) SP. 57-E/1983
	E-465	18170-57A	each VALVE GUIDE, EXHAUST <b>**STD** (.565 OD)</b> (I.D. FINISHED) SP. 57-E/83
	E-466	18172-57A	each VALVE GUIDE, EXHAUST <b>**001** (.566 OD)</b> (I.D. FINISHED) SP. 57-E/83
	E-467	18171-57A	each VALVE GUIDE, EXHAUST <b>**002** (.567 OD)</b> (I.D. FINISHED) SP. 57-E/83
	E-468	18169-79	each VALVE GUIDE, EXHAUST <b>**004** (.569 OD)</b> (I.D. FINISHED) SP. 57-E/83
	E-470		each VALVE GUIDE, EXHAUST <b>**006** (.571 OD)</b> (I.D. FINISHED) SP. 57-E/83
16	A-18203-57A	18203-57A	set-8 VALVE SPRINGS, INNER AND OUTER, SPORTSTER 1957-E/1983
		18204-57A	
	A-18203-83	18203-83	set-8 VALVE SPRINGS, INNER AND OUTER, SPORTSTER L/1983-1985
		18204-83	

**\*\*CONTINUED ON NEXT PAGE\*\***

**\*5120 HILDA ROAD\* BLACKVILLE, S.C. 29817\* 803-284-3304\***

# **\*\*EASTERN MOTORCYCLE PARTS\*\***

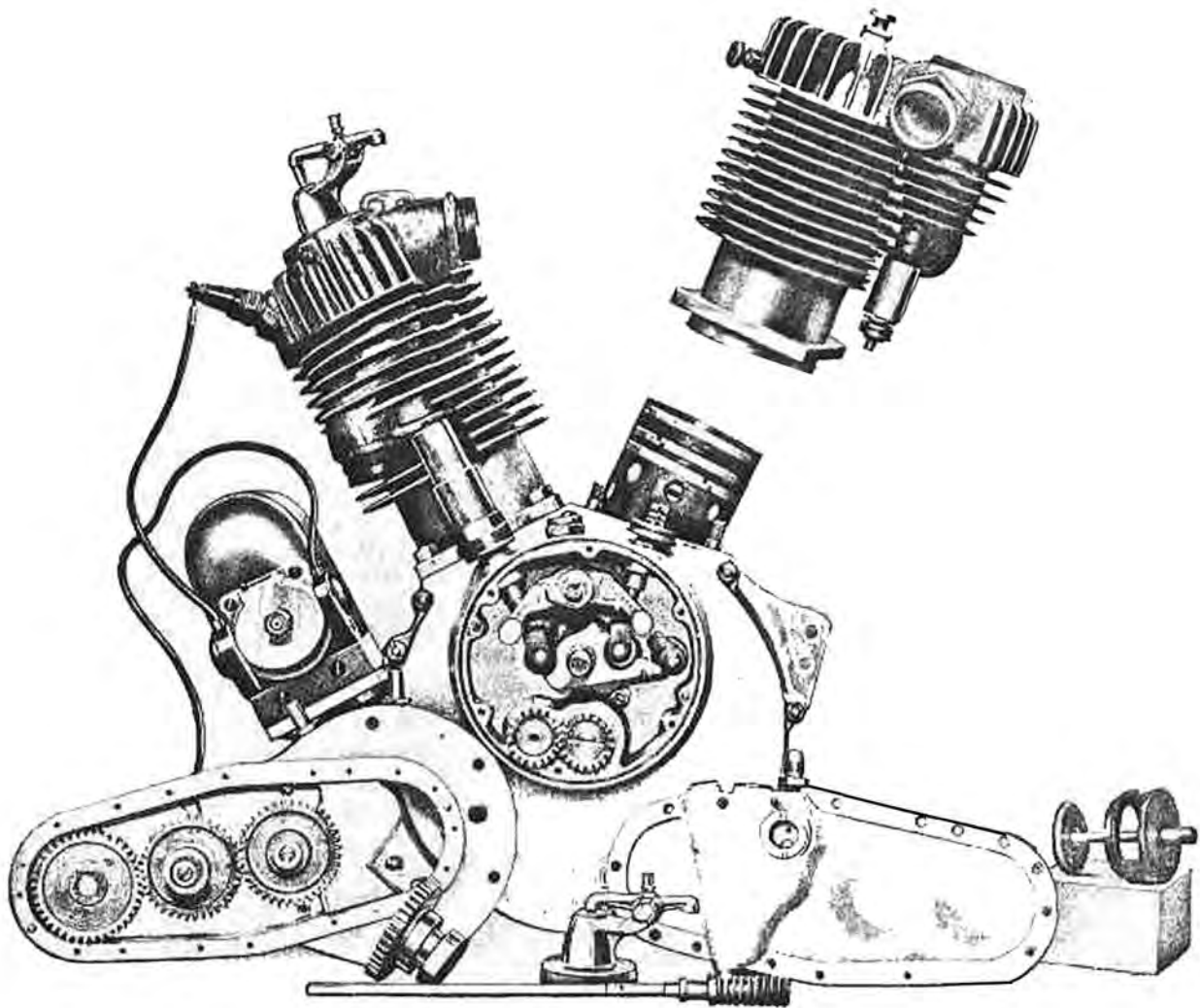
## **\*\*CYLINDER HEAD\*\***

### **\*\*900 C/C AND 1000 C/C\*\***

#### **\*\*SPORTSTER 1954-1985\*\***

<b>DIAGRAM NUMBER</b>	<b>EASTERN NUMBER</b>	<b>REPLACES OEM</b>	<b>DESCRIPTION</b>
17	A-18220-57	18220-57	pk-4 VALVE SPRING COLLARS <b>**LOWER**</b> SPORTSTER 1957-E/1981
	A-18220-81	18220-81	pk-4 VALVE SPRING COLLARS <b>**LOWER**</b> SPORTSTER L/1981-E/1983
	A-18220-83	18220-83	pk-4 VALVE SPRING COLLARS <b>**LOWER**</b> SPORTSTER L/1983-1985
18	A-18221-57B	18221-57B	pk-4 VALVE SPRING COLLARS <b>**UPPER**</b> SPORTSTER 1957-1985
19	A-18228-30	18228-30	set-4 VALVE SPRING KEEPERS, SPORTSTER 1952-1985
20	15-0063		kit SPRING KIT, WITH COLLARS AND KEEPERS, SPORTSTER 1957-E/1981
	15-0067		kit SPRING KIT, WITH COLLARS AND KEEPERS, SPORTSTER L/1981-E/83
	15-0071		kit SPRING KIT, WITH COLLARS AND KEEPERS, SPORTSTER L/1983-1985
21	A-18508-52B	18508-52B	each TAPPET ASSEMBLY <b>**STD**</b> (SOLID STYLE) SPORTSTER 1957-1985
	A-18508-78		each TAPPET ASSEMBLY <b>**005**</b> (SOLID STYLE) SPORTSTER 1957-1985
	A-18508-79		each TAPPET ASSEMBLY <b>**010**</b> (SOLID STYLE) SPORTSTER 1957-1985
	A-18508-80		each TAPPET ASSEMBLY <b>**015**</b> (SOLID STYLE) SPORTSTER 1957-1985
	A-18508-90		each TAPPET ASSEMBLY <b>**020**</b> (SOLID STYLE) SPORTSTER 1957-1985
	A-18508-91		each TAPPET ASSEMBLY <b>**025**</b> (SOLID STYLE) SPORTSTER 1957-1985
	A-18508-92		each TAPPET ASSEMBLY <b>**030**</b> (SOLID STYLE) SPORTSTER 1957-1985
	A-18508-93		each TAPPET ASSEMBLY <b>**035**</b> (SOLID STYLE) SPORTSTER 1957-1985
	A-18508-94		each TAPPET ASSEMBLY <b>**040**</b> (SOLID STYLE) SPORTSTER 1957-1985
22	A-18508-70		each TAPPET ASSEMBLY <b>**STD**</b> (W/2 HOLES) SPORTSTER 1957-1985
	A-18508-71		each TAPPET ASSEMBLY <b>**005**</b> (W/2 HOLES) SPORTSTER 1957-1985
	A-18508-72		each TAPPET ASSEMBLY <b>**010**</b> (W/2 HOLES) SPORTSTER 1957-1985
23	A-18534-29A	18534-29A	set-4 TAPPET ROLLERS WITH PINS, SPORTSTER 1952-1985 <b>**IMPORTED**</b>
	A-18534-29B	18534-29B	set-4 TAPPET ROLLERS WITH PINS, SPORTSTER 1952-1985 <b>**U.S.A.**</b>
24	A-18534-87	18545-29	pk-10 TAPPET ROLLER PINS, SPORTSTER 1952-PRESENT
25	A-18554-57	18554-57	pk-4 TAPPET SCREWS ONLY, SPORTSTER 1954-1985
26	A-18570-38	18570-38	pk-10 TAPPET NUTS ONLY, SPORTSTER 1954-1985
27	A-18607-57B	18607-57B	each TAPPET GUIDE <b>**POLISHED**</b> (BILLET ALUMINUM) SPORT. 1957-1985
	A-18607-SET	18607-57B	set-4 TAPPET GUIDE <b>**POLISHED**</b> (BILLET ALUMINUM) SPORT. 1957-1985
	A-18607-BLK		set-4 TAPPET GUIDE <b>**BLACK**</b> (BILLET ALUMINUM) SPORT. 1957-1985
	A-18607-BLUE		set-4 TAPPET GUIDE <b>**BLUE**</b> (BILLET ALUMINUM) SPORTSTER 1957-1985
	A-18607-GOLD		set-4 TAPPET GUIDE <b>**GOLD**</b> (BILLET ALUMINUM) SPORTSTER 1957-1985
	A-18607-RED		set-4 TAPPET GUIDE <b>**RED**</b> (BILLET ALUMINUM) SPORTSTER 1957-1985
28	E-815-STD	22251-57A	pair PISTONS, <b>W/HASTINGS RING**900 C/C**</b> (STD COMP.) SPORT 1957-'71
	E-815-010	22253-57A	pair PISTONS, <b>W/HASTINGS RING**900 C/C**</b> (STD COMP.) SPORT 1957-'71
	E-815-020	22254-57A	pair PISTONS, <b>W/HASTINGS RING**900 C/C**</b> (STD COMP.) SPORT 1957-'71
	E-815-030	22255-57A	pair PISTONS, <b>W/HASTINGS RING**900 C/C**</b> (STD COMP.) SPORT 1957-'71
	E-815-040	22256-57A	pair PISTONS, <b>W/HASTINGS RING**900 C/C**</b> (STD COMP.) SPORT 1957-'71
	E-815-050	22257-57A	pair PISTONS, <b>W/HASTINGS RING**900 C/C**</b> (STD COMP.) SPORT 1957-'71
	E-815-060	22258-57A	pair PISTONS, <b>W/IMPORT RINGS**900 C/C**</b> (STD COMP.) SPORT 1957-'71
	E-815-070	22259-57A	pair PISTONS, <b>W/IMPORT RINGS**900 C/C**</b> (STD COMP.) SPORT 1957-'71
29	E-816-STD	22251-72A	pair PISTONS, <b>W/HASTINGS RING**1000 C/C**</b> (STD COMP.) SPORT 1972-'85
	E-816-010	22253-72A	pair PISTONS, <b>W/HASTING RING**1000 C/C**</b> (STD COMP.) SPORT 1972-'85
	E-816-020	22254-72A	pair PISTONS, <b>W/HASTING RING**1000 C/C**</b> (STD COMP.) SPORT 1972-'85
	E-816-030	22255-72A	pair PISTONS, <b>W/HASTINGS RING**1000 C/C**</b> (STD COMP.) SPORT 1972-'85
	E-816-040	22256-72A	pair PISTONS, <b>W/HASTINGS RING**1000 C/C**</b> (STD COMP.) SPORT 1972-'85
	E-816-050	22257-72A	pair PISTONS, <b>W/HASTING RING**1000 C/C**</b> (STD COMP.) SPORT 1972-'85
	E-816-060	22258-72A	pair PISTONS, <b>W/IMPORT RINGS**1000 C/C**</b> (STD COMP.) SPORT 1972-'85
	E-816-070	22259-72A	pair PISTONS, <b>W/IMPORT RINGS**1000 C/C**</b> (STD COMP.) SPORT 1972-'85

**\*\*EASTERN MOTORCYCLE PARTS\*\***



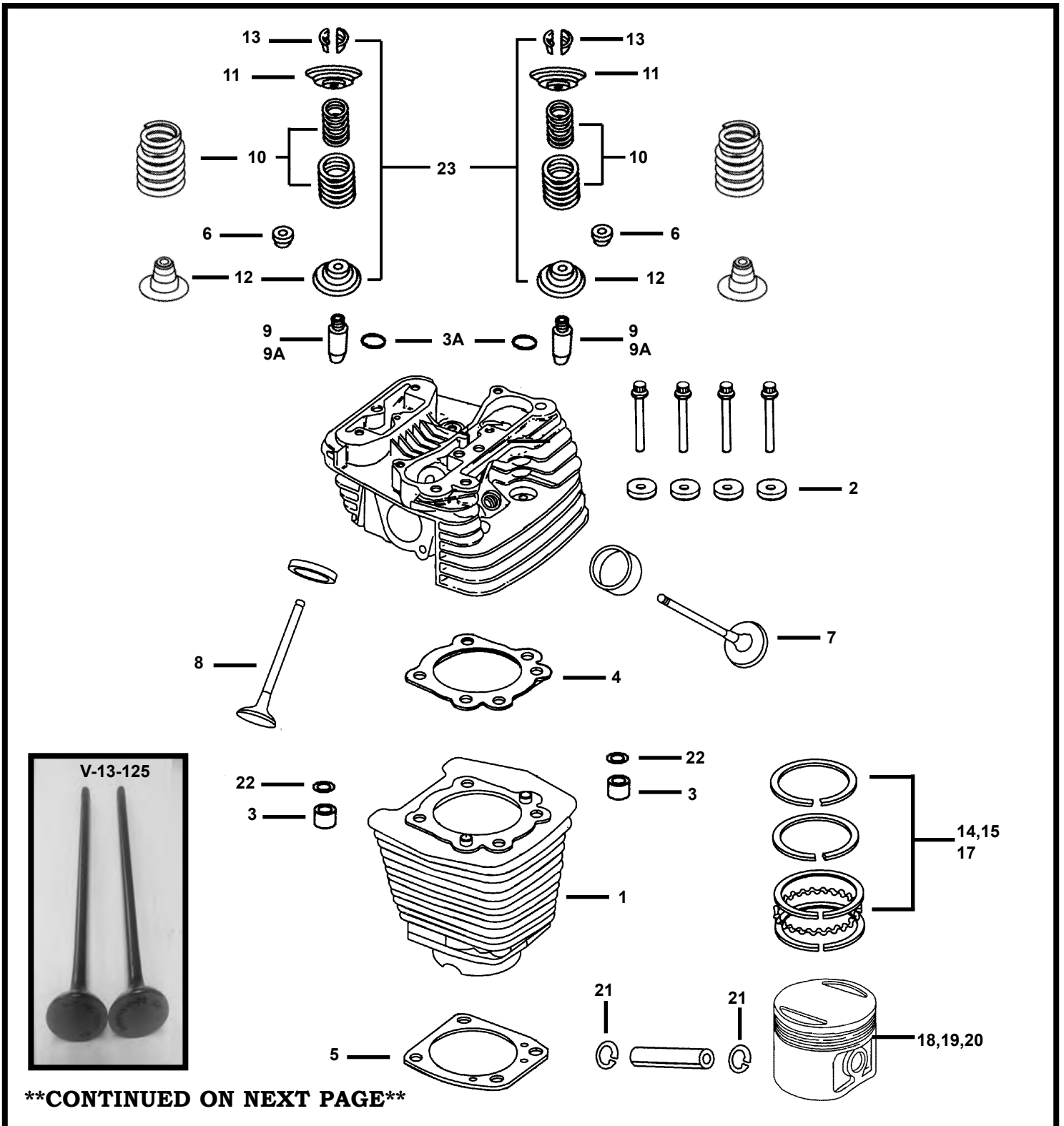
**\*5120 HILDA ROAD\* BLACKVILLE, S.C. 29817\* 803-284-3304\***

# \*\*EASTERN MOTORCYCLE PARTS\*\*

## \*\*CYLINDER HEAD\*\*

\*\*EVOLUTION 883, 1100, 1200 C/C\*\*

\*\*SPORTSTER 1986-PRESENT\*\*



\*\*CONTINUED ON NEXT PAGE\*\*

# **\*\*EASTERN MOTORCYCLE PARTS\*\***

## **\*\*CYLINDER HEAD\*\***

**\*\*EVOLUTION 883, 1100, 1200 C/C\*\***

**\*\*SPORTSTER 1986-PRESENT\*\***

<u>DIAGRAM NUMBER</u>	<u>EASTERN NUMBER</u>	<u>REPLACES OEM</u>		<u>DESCRIPTION</u>
1	M-4-4630	16446-86	each	CYLINDER ONLY **FRONT OR REAR** (883C/C) SPORTSTER 1986-2003
	M-4-4634	16446-86	set-2	CYLINDERS (WITH PISTONS & RINGS) **FRONT & REAR** (883C/C) SPORTSTER 1986-2003
	M-4-4640	16447-88	each	CYLINDER ONLY **FRONT OR REAR** (1200C/C) SPORTSTER 1986-'03
	M-4-4644	16447-88	set-2	CYLINDERS (WITH PISTONS & RINGS) **FRONT & REAR** (1200C/C) SPORTSTER 1986-2003
2	A-16482-85	16482-85	pk-4	WASHER, HEAD BOLTS **ZINC PLATED** SPORTSTER 1986-ONLY
3	A-16573-83	16573-83	pk-8	INSERT, CYLINDER HEAD, BIG TWIN 1984-PRESENT
3A	42-0300	16699-06	pk-10	RETAINING RING, VALVE GUIDE, BIG TWIN 200-PRES., SPORT 2010-P.
4	L-3-651	16664-86	pair	HEAD GASKETS **FIRE RING** (883 C/C) SPORTSTER 1986-PRESENT
	L-3-649	16664-86T	pair	HEAD GASKETS **BLUE TEFLON** (883 C/C) SPORTSTER 1986-PRES.
	L-3-653	16665-86	pair	HEAD GASKETS **FIRE RING** (1100 C/C) SPORTSTER 1986-1987
	L-3-654	16665-86	pair	HEAD GASKETS **BLUE TEFLON** (1100 C/C) SPORTSTER 1986-1987
	L-3-657	16770-84D	pair	HEAD GASKETS **FIRE RING** SPORTSTER 1988-PRESENT
	L-3-854	16770-84	pair	HEAD GASKETS **BLUE TEFLON** SPORTSTER 1988-PRESENT
	L-3-659	16773-85	pair	HEAD GASKETS **FIRE RING** SPORTSTER 1988-1990
	5	L-3-958	16774-86A	pk-10
6	H-3882	18001-83A	pk-10	VALVE GUIDE SEALS, INTAKE AND EXHAUST, SPORTSTER 1986-2003
7	E-506-N	18023-87	each	VALVE, **INTAKE** (NITRIDE) **1200 C/C** SPORTSTER 1988-2003
	E-502-N	18031-86	each	VALVE, **INTAKE** (NITRIDE) **883 C/C** SPORTSTER 1986-2003
8	E-516-N	18024-87	each	VALVE, **EXHAUST** (NITRIDE) **1200 C/C** SPORTSTER 1988-2003
	E-512-N	18030-86	each	VALVE, **EXHAUST** (NITRIDE) **883 C/C** SPORTSTER 1986-2003
	V-13-125	18039-93	each	VALVE, **EXHAUST** (NITRIDE) **883 C/C HIGHER QUALITY VALVE** SPORTSTER 1986-UP
9	E-360	18112-92	each	VALVE GUIDE, <b>STD, (.562 O.D)</b> INT. & EX. (I.D. NOT FINISHED) SP. '86-03
	E-361	18130-83C	each	VALVE GUIDE, <b>.001, (.563 O.D)</b> INT. & EX. (I.D. NOT FINISHED) SP. '86-03
	E-362	18133-83A	each	VALVE GUIDE, <b>.002, (.564 O.D)</b> INT. & EX. (I.D. NOT FINISHED) SP. '86-03
	E-363	18131-83C	each	VALVE GUIDE, <b>.003, (.565 O.D)</b> INT. & EX. (I.D. NOT FINISHED) SP. '86-03
	E-364		each	VALVE GUIDE, <b>.004, (.566 O.D)</b> INT. & EX. (I.D. NOT FINISHED) SP. '86-03
	E-365	18132-83B	each	VALVE GUIDE, <b>.005, (.567 O.D)</b> INT. & EX. (I.D. NOT FINISHED) SP. '86-03
9A	29-0620	18112-92	each	VALVE GUIDE <b>STD**</b> IN. & EX., <b>*BRONZE* (I.D. FINISHED)</b> B/T 1984-2004
	29-0622	18133-83A	each	VALVE GUIDE, <b>.002</b> , IN. & EX., <b>*BRONZE* (I.D. FINISHED)</b> B/T 1984-2004
	29-0624		each	VALVE GUIDE, <b>.004</b> , IN. & EX., <b>*BRONZE* (I.D. FINISHED)</b> B/T 1984-2004
	29-0626		each	VALVE GUIDE, <b>.006</b> , IN. & EX., <b>*BRONZE* (I.D. FINISHED)</b> B/T 1984-2004
	29-0628		each	VALVE GUIDE, <b>.008</b> , IN. & EX., <b>*BRONZE* (I.D. FINISHED)</b> B/T 1984-2004
	29-0630		each	VALVE GUIDE, <b>.010</b> , IN. & EX., <b>*BRONZE* (I.D. FINISHED)</b> B/T 1984-2004
	29-0632		each	VALVE GUIDE, <b>.012</b> , IN. & EX., <b>*BRONZE* (I.D. FINISHED)</b> B/T 1984-2004
10	A-18206-83	18201-83 18202-83	set-8	VALVE SPRINGS, INNER AND OUTER, SPORTSTER 1986-2003
11	A-18219-83A	18219-83A	pk-4	VALVE SPRING COLLAR **UPPER** SPORTSTER 1986-2003
12	A-18094-02	18094-02	pk-4	VALVE SPRING COLLAR <b>W/VALVE SEAL</b> **LOWER** SPORT. 2004-PRES
	A-18222-83	18222-83	pk-4	VALVE SPRING COLLAR **LOWER** SPORTSTER 1986-2003
	A-18258-02	18258-02	pk-4	VALVE SPRING COLLAR **UPPER** BIG TWIN 2005-P., SPORT. 2004-P.
13	A-18229-83	18229-83	set-4	VALVE STEM KEEPERS, SPORTSTER 1986-2003
	A-18260-02	18260-02	set-4	VALVE STEM RETAINERS, SPORTSTER 2004-PRES.
14	H-6164-STD	21920-83	set-2	PISTON RINGS <b>**IMPORTED**</b> (1200 C/C) SPORTSTER 1986-2003
	H-6164-005	21921-83	set-2	PISTON RINGS <b>**IMPORTED**</b> (1200 C/C) SPORTSTER 1986-2003
	H-6164-010	21922-83	set-2	PISTON RINGS <b>**IMPORTED**</b> (1200 C/C) SPORTSTER 1986-2003
	H-6164-020	21923-83	set-2	PISTON RINGS <b>**IMPORTED**</b> (1200 C/C) SPORTSTER 1986-2003
	H-6164-030	21924-83	set-2	PISTON RINGS <b>**IMPORTED**</b> (1200 C/C) SPORTSTER 1986-2003
	H-6164-040	21925-83	set-2	PISTON RINGS <b>**IMPORTED**</b> (1200 C/C) SPORTSTER 1986-2003

**\*\*CONTINUED NEXT PAGE\*\***

**\*5120 HILDA ROAD\* BLACKVILLE, S.C. 29817\* 803-284-3304\***

# **\*\*EASTERN MOTORCYCLE PARTS\*\***

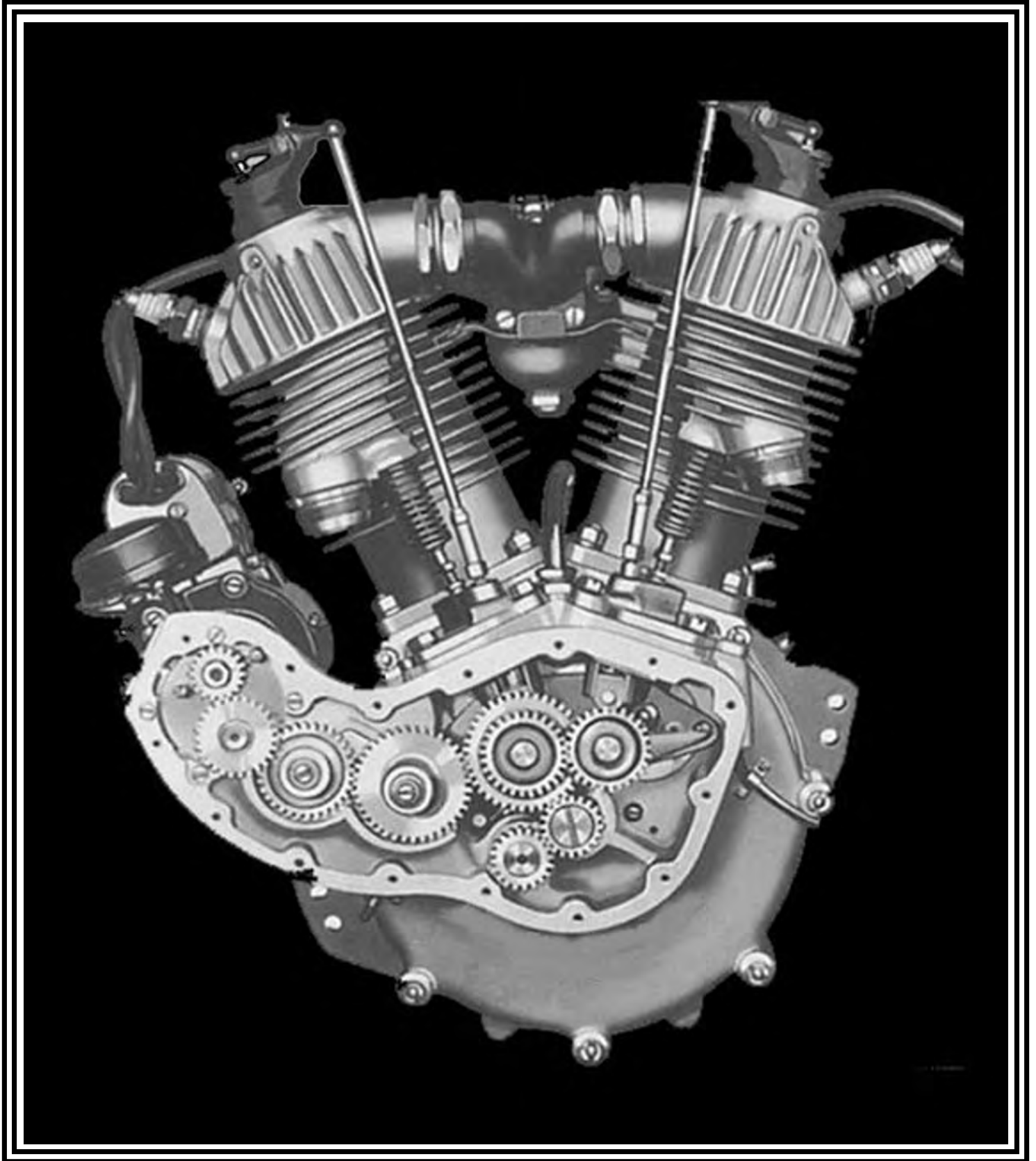
## **\*\*CYLINDER HEAD\*\***

**\*\*EVOLUTION 883, 1100, 1200 C/C\*\***

**\*\*SPORTSTER 1986-PRESENT\*\***

<u>DIAGRAM NUMBER</u>	<u>EASTERN NUMBER</u>	<u>REPLACES OEM</u>	<u>DESCRIPTION</u>
			<b>**PISTON RINGS LISTED BELOW ARE MOLY RINGS**</b>
15	H-6195-STD	21920-83	set-2 PISTON RINGS <b>**HASTINGS**</b> (1200 C/C) SPORTSTER 1988-2003
	H-6195-005	21921-83	set-2 PISTON RINGS <b>**HASTINGS**</b> (1200 C/C) SPORTSTER 1988-2003
	H-6195-010	21922-83	set-2 PISTON RINGS <b>**HASTINGS**</b> (1200 C/C) SPORTSTER 1988-2003
	H-6195-020	21923-83	set-2 PISTON RINGS <b>**HASTINGS**</b> (1200 C/C) SPORTSTER 1988-2003
	H-6195-030	21924-83	set-2 PISTON RINGS <b>**HASTINGS**</b> (1200 C/C) SPORTSTER 1988-2003
	H-6195-040	21925-83	set-2 PISTON RINGS <b>**HASTINGS**</b> (1200 C/C) SPORTSTER 1988-2003
			<b>**PISTON RINGS LISTED BELOW ARE MOLY RINGS**</b>
17	H-6199-STD	22267-86	set-2 PISTON RINGS <b>**HASTINGS**</b> (1100 C/C)** SPORTSTER 1986-1988
	H-6199-005	22272-86	set-2 PISTON RINGS <b>**HASTINGS**</b> (1100 C/C)** SPORTSTER 1986-1988
	H-6199-010	22273-86	set-2 PISTON RINGS <b>**HASTINGS**</b> (1100 C/C)** SPORTSTER 1986-1988
	H-6199-020	22275-86	set-2 PISTON RINGS <b>**HASTINGS**</b> (1100 C/C)** SPORTSTER 1986-1988
	H-6199-030	22276-86	set-2 PISTON RINGS <b>**HASTINGS**</b> (1100 C/C)** SPORTSTER 1986-1988
	H-6199-040	22279-86	set-2 PISTON RINGS <b>**HASTINGS**</b> (1100 C/C)** SPORTSTER 1986-1988
18	E-838-STD	22242-86	pair PISTONS, <b>W/HASTINGS RINGS **883 C/C**</b> (STD COMP) SP. 1986-2003
	E-838-005	22201-86	pair PISTONS, <b>W/HASTINGS RINGS **883 C/C**</b> (STD COMP) SP. 1986-2003
	E-838-010	22253-86	pair PISTONS, <b>W/HASTINGS RINGS **883 C/C**</b> (STD COMP) SP. 1986-2003
	E-838-020	22254-86	pair PISTONS, <b>W/HASTINGS RINGS **883 C/C**</b> (STD COMP) SP. 1986-2003
	E-838-030	22255-86	pair PISTONS, <b>W/HASTINGS RINGS **883 C/C**</b> (STD COMP) SP. 1986-2003
	E-838-040	22256-86	pair PISTONS, <b>W/HASTINGS RINGS **883 C/C**</b> (STD COMP) SP. 1986-2003
19	E-839-STD	22243-86	pair PISTONS, <b>W/HASTING RING **1100 C/C**</b> (STD COMP) SPORT. 1986-'87
	E-839-005	22205-86	pair PISTONS, <b>W/HASTING RING **1100 C/C**</b> (STD COMP) SPORT. 1986-'87
	E-839-010	22216-86	pair PISTONS, <b>W/HASTING RING **1100 C/C**</b> (STD COMP) SPORT. 1986-'87
	E-839-020	22220-86	pair PISTONS, <b>W/HASTING RING **1100 C/C**</b> (STD COMP) SPORT. 1986-'87
	E-839-030	22225-86	pair PISTONS, <b>W/HASTING RING **1100 C/C**</b> (STD COMP) SPORT. 1986-'87
	E-839-040	22229-86	pair PISTONS, <b>W/HASTING RING **1100 C/C**</b> (STD COMP) SPORT. 1986-'87
20	E-844-STD	22243-88	pair PISTONS, <b>WITH IMPORT RINGS **1200 C/C**</b> (STD COMP) SP. 1986-'03
	E-844-005	22205-88	pair PISTONS, <b>WITH IMPORT RINGS **1200 C/C**</b> (STD COMP) SP. 1986-'03
	E-844-010	22216-88	pair PISTONS, <b>WITH IMPORT RINGS **1200 C/C**</b> (STD COMP) SP. 1986-'03
	E-844-020	22220-88	pair PISTONS, <b>WITH IMPORT RINGS **1200 C/C**</b> (STD COMP) SP. 1986-'03
	E-844-030	22225-88	pair PISTONS, <b>WITH IMPORT RINGS **1200 C/C**</b> (STD COMP) SP. 1986-'03
	E-844-040		pair PISTONS, <b>WITH IMPORT RINGS **1200 C/C**</b> (STD COMP) SP. 1986-'03
21	A-22589-83A	22589-83A	pk-10 RETAINING RING, PISTON PINS, SPORTSTER 1986-PRESENT
22	A-26432-76A	26432-76A	pk-10 O-RINGS, CYLINDER STUD INSERT, SPORTSTER 1986-2007
23	15-0042		set-16 SPRING KIT, WITH COLLARS AND KEEPERS, SPORTSTER 1986-2003

**\*\*EASTERN MOTORCYCLE PARTS\*\***



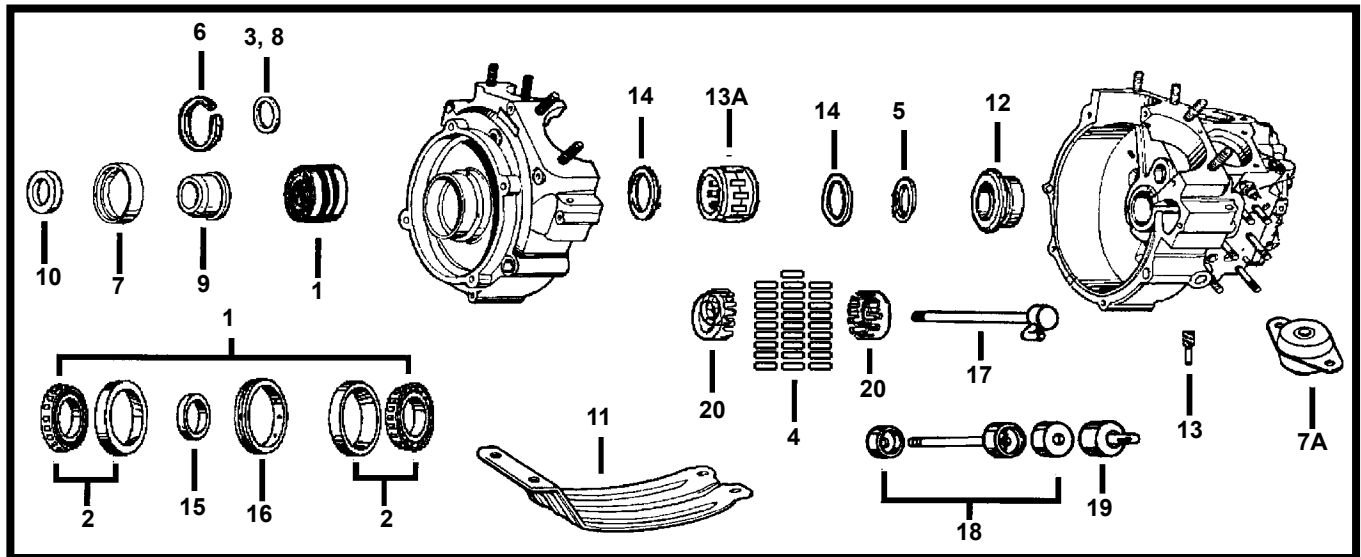
**\*5120 HILDA ROAD\* BLACKVILLE, S.C. 29817\* 803-284-3304\***



# \*\*EASTERN MOTORCYCLE PARTS\*\*

## \*\*CRANKCASE\*\*

### \*\*BIG TWIN 1941-1999\*\*



<u>DIAGRAM NUMBER</u>	<u>EASTERN NUMBER</u>	<u>REPLACES OEM</u>		<u>DESCRIPTION</u>
1	A-9028	9028	each	BEARING **COMPLETE** SPROCKET SHAFT, BIG TWIN 1969-2002
	A-9029	9029	each	BEARING **COMPLETE** SPROCKET SHAFT, BIG TWIN 1955-1968
2	A-9045	9045	each	BEARING, SPROCKET SHAFT **CUP & CONE ONLY** B/T 1955-2002
3	A-9110	9110	pk-5	SPACER, INNER MOTOR BEARING (.0895-.0905) BIG TWIN 1969-2002
	A-9120	9120	pk-5	SPACER, INNER MOTOR BEARING (.0915-.0925) BIG TWIN 1969-2002
	A-9121	9121	pk-5	SPACER, INNER MOTOR BEARING (.0935-.0945) BIG TWIN 1969-2002
	A-9122	9122	pk-5	SPACER, INNER MOTOR BEARING (.0955-.0965) BIG TWIN 1969-2002
	A-9123	9123	pk-5	SPACER, INNER MOTOR BEARING (.0975-.0985) BIG TWIN 1969-2002
	A-9124	9124	pk-5	SPACER, INNER MOTOR BEARING (.0995-.1005) BIG TWIN 1969-2002
	A-9125	9125	pk-5	SPACER, INNER MOTOR BEARING (.1015-.1025) BIG TWIN 1969-2002
	A-9126	9126	pk-5	SPACER, INNER MOTOR BEARING (.1035-.1045) BIG TWIN 1969-2002
	A-9127	9127	pk-5	SPACER, INNER MOTOR BEARING (.1055-.1065) BIG TWIN 1969-2002
	A-9128	9128	pk-5	SPACER, INNER MOTOR BEARING (.1075-.1085) BIG TWIN 1969-2002
	A-9129	9129	pk-5	SPACER, INNER MOTOR BEARING (.1095-.1105) BIG TWIN 1969-2002
	A-9130	9130	pk-5	SPACER, INNER MOTOR BEARING (.1115-.1125) BIG TWIN 1969-2002
	A-9131	9131	pk-5	SPACER, INNER MOTOR BEARING (.1135-.1145) BIG TWIN 1969-2002
	A-9132	9132	pk-5	SPACER, INNER MOTOR BEARING (.1155-.1165) BIG TWIN 1969-2002
	A-9133	9133	pk-5	SPACER, INNER MOTOR BEARING (.1175-.1185) BIG TWIN 1969-2002
	A-9134	9134	pk-5	SPACER, INNER MOTOR BEARING (.1195-.1205) BIG TWIN 1969-2002
4	A-9220-24	9220	set-24	BEARINGS, CASE BUSHING **L/SIDE** (STD) BIG TWIN 1930-1957
	A-9221-24	9221	set-24	BEARINGS, CASE BUSHING **L/SIDE** (.0002) BIG TWIN 1930-1957
	A-9222-24	9222	set-24	BEARINGS, CASE BUSHING **L/SIDE** (.0004) BIG TWIN 1930-1957
	A-9223-24	9223	set-24	BEARINGS, CASE BUSHING **L/SIDE** (.0006) BIG TWIN 1930-1957
	A-9224-24	9224	set-24	BEARINGS, CASE BUSHING **L/SIDE** (.0008) BIG TWIN 1930-1957
	A-9225-24	9225	set-24	BEARINGS, CASE BUSHING **L/SIDE** (+.001) BIG TWIN 1930-1957
	A-9226-24		set-24	BEARINGS, CASE BUSHING **L/SIDE** (+.002) BIG TWIN 1930-1957
5	A-11007	11007	pk-10	RETAINING RING, PINION SHAFT, BIG TWIN 1958-1986
6	A-11160A	11160A	pk-10	RETAINING RING, LEFT SIDE MOTOR BEARING, BIG TWIN 1983-PRES
7	A-12026	12026	pk-10	OIL SEAL, SPROCKET SHAFT, BIG TWIN 1970-1999
	A-12026B	12026B	pk-10	OIL SEAL, SPROCKET SHAFT, BIG TWIN 1970-1999
7A	A-16207-79B	16207-79B	each	ENGINE MOTOR MOUNT, BIG TWIN 1980-PRESENT

**\*\*CONTINUED NEXT PAGE\*\***

# **\*\*EASTERN MOTORCYCLE PARTS\*\***

## **\*\*CRANKCASE\*\***

### **\*\*BIG TWIN 1941-1999\*\***

<b>DIAGRAM NUMBER</b>	<b>EASTERN NUMBER</b>	<b>REPLACES OEM</b>		<b>DESCRIPTION</b>	
8	A-23741-55	23741-55	pk-10	SHIMS, (.003) SPROCKET SHAFT BEARING, BIG TWIN 1955-1984	
9	A-24002-70	24002-70	each	SPACER, SPROCKET SHAFT, BIG TWIN 1970-1996	
10	A-24029-55	24029-55	pk-5	SPACER, SPROCKET SHAFT, (.336 THICK) BIG TWIN 1955-1964	
	A-24029-65	24029-65	pk-5	SPACER, SPROCKET SHAFT (.621) BIG TWIN 1966-1969	
	A-24030-SET		set-6	SPACER, SPROCKET SHAFT (.516 TO .666) BIG TWIN 1966-1969 <b>SET INCLUDES: (1each) 23032-66, 24033-6, 24034-66, 24035-66, 24036-66, 24037-66</b>	
	A-24032-66	24032-66	pk-5	SPACER, SPROCKET SHAFT (.516) BIG TWIN 1966-1969	
	A-24033-66	24033-66	pk-5	SPACER, SPROCKET SHAFT (.546) BIG TWIN 1966-1969	
	A-24034-66	24034-66	pk-5	SPACER, SPROCKET SHAFT (.576) BIG TWIN 1966-1969	
	A-24035-66	24035-66	pk-5	SPACER, SPROCKET SHAFT (.606) BIG TWIN 1966-1969	
	A-24036-66	24036-66	pk-5	SPACER, SPROCKET SHAFT (.636) BIG TWIN 1966-1969	
	A-24037-66	24037-66	pk-5	SPACER, SPROCKET SHAFT (.666) BIG TWIN 1966-1969	
	A-24032-SET		set-6	SPACER SET, SPROCKET SHAFT, (.060 TO .210) BIG TWIN 1970-1999 <b>SET INCLUDES: (1each) .060, .090, .120, .150, .180, .210</b>	
	A-24032-70	24032-70	pk-5	SPACER, SPROCKET SHAFT (.060) BIG TWIN 1970-1999	
	A-24033-70	24033-70	pk-5	SPACER, SPROCKET SHAFT (.090) BIG TWIN 1970-1999	
	A-24034-70	24034-70	pk-5	SPACER, SPROCKET SHAFT (.120) BIG TWIN 1970-1999	
	A-24035-70	24035-70	pk-5	SPACER, SPROCKET SHAFT (.150) BIG TWIN 1970-1999	
	A-24036-70	24036-70	pk-5	SPACER, SPROCKET SHAFT (.180) BIG TWIN 1970-1999	
	A-24037-70	24037-70	pk-5	SPACER, SPROCKET SHAFT (.210) BIG TWIN 1970-1999	
11	Y-21-960	24490-36	each	CRANKCASE MOTOR GUARD <b>**CHROME**</b> BIG TWIN 1936-1984	
12	A-24599-58	24599-58	each	CASE BUSHING, <b>**RIGHT SIDE**</b> (STD) BIG TWIN 1958-1992	
	A-24599-58B	24599-58B	each	CASE BUSHING, <b>**RIGHT SIDE**</b> (STD) BIG TWIN 1993-1999	
	A-24600-58	24600-58	each	CASE BUSHING, <b>**RIGHT SIDE**</b> (.002) BIG TWIN 1958-1992	
	A-24600-58B	24600-58B	each	CASE BUSHING, <b>**RIGHT SIDE**</b> (.002) BIG TWIN 1993-1999	
	A-24601-58	24601-58	each	CASE BUSHING, <b>**RIGHT SIDE**</b> (.005) BIG TWIN 1958-1992	
	A-24601-58B	24601-58B	each	CASE BUSHING, <b>**RIGHT SIDE**</b> (.005) BIG TWIN 1993-1999	
	A-24602-58		each	CASE BUSHING, <b>**RIGHT SIDE**</b> (.010) BIG TWIN 1958-1992	
	A-24602-58B	24602-58B	each	CASE BUSHING, <b>**RIGHT SIDE**</b> (.010) BIG TWIN 1993-1999	
	A-24602-85		each	CASE BUSHING, <b>**RIGHT SIDE**</b> (.015) BIG TWIN 1958-1992	
	A-24602-85B		each	CASE BUSHING, <b>**RIGHT SIDE**</b> (.015) BIG TWIN 1993-1999	
	A-24602-87		each	CASE BUSHING, <b>**RIGHT SIDE**</b> (.020) BIG TWIN 1958-1992	
	A-24602-87B		each	CASE BUSHING, <b>**RIGHT SIDE**</b> (.020) BIG TWIN 1993-1999	
	A-24602-89		each	CASE BUSHING, <b>**RIGHT SIDE**</b> (.025) BIG TWIN 1958-1992	
	A-24602-89B		each	CASE BUSHING, <b>**RIGHT SIDE**</b> (.025) BIG TWIN 1993-1999	
	A-24602-91		each	CASE BUSHING, <b>**RIGHT SIDE**</b> (.031) BIG TWIN 1958-1992	
	A-24602-91B		each	CASE BUSHING, <b>**RIGHT SIDE**</b> (.030) BIG TWIN 1993-1999	
	A-24602-92		each	CASE BUSHING, <b>**RIGHT SIDE**</b> (.035) BIG TWIN 1958-1992	
	A-24602-93		each	CASE BUSHING, <b>**RIGHT SIDE**</b> (.040) BIG TWIN 1958-1992	
	13	A-24608-54	24608-54	pk-10	LOCK SCREWS, FOR CASE BUSHINGS, BIG TWIN 1954-1978
	13A	A-24650-58	24650-58	set-30	RETAINERS WITH BEARINGS <b>**STD**</b> BIG TWIN 1958-1986
A-24651-58		24651-58	set-30	RETAINERS WITH BEARINGS <b>**0002**</b> BIG TWIN 1958-1986	
A-24652-58		24652-58	set-30	RETAINERS WITH BEARINGS <b>**0004**</b> BIG TWIN 1958-1986	
A-24653-58		24653-58	set-30	RETAINERS WITH BEARINGS <b>**0006**</b> BIG TWIN 1958-1986	
A-24654-58		24654-58	set-30	RETAINERS WITH BEARINGS <b>**0008**</b> BIG TWIN 1958-1986	
A-24655-58		24655-58	set-30	RETAINERS WITH BEARINGS <b>**001**</b> BIG TWIN 1958-1986	
A-24656-58		24656-58	set-30	RETAINERS WITH BEARINGS <b>**002**</b> BIG TWIN 1958-1986	
A-24692-58		24692-58	pk-5	WASHERS, RIGHT SIDE BEARINGS, BIG TWIN 1958-1986	

**\*\*CONTINUED NEXT PAGE\*\***

# **\*\*EASTERN MOTORCYCLE PARTS\*\***

## **\*\*CRANKCASE\*\***

### **\*\*BIG TWIN 1941-1999\*\***

<u>DIAGRAM NUMBER</u>	<u>EASTERN NUMBER</u>	<u>REPLACES OEM</u>	<u>DESCRIPTION</u>
15	45-0115		pk-5 SPACER, INNER TIMKEN (.256/.257) BIG TWIN 1955-1968
	45-0117		pk-5 SPACER, INNER TIMKEN (.258/.259) BIG TWIN 1955-1968
	45-0119		pk-5 SPACER, INNER TIMKEN (.260/.261) BIG TWIN 1955-1968
	45-0121		pk-5 SPACER, INNER TIMKEN (.262/.263) BIG TWIN 1955-1968
	45-0123		pk-5 SPACER, INNER TIMKEN (.264/.265) BIG TWIN 1955-1968
	45-0125		pk-5 SPACER, INNER TIMKEN (.266/.267) BIG TWIN 1955-1968
16	45-0135		each SPACER, OUTER TIMKEN **W/OIL HOLES** BIG TWIN 1955-1968
17	A-24912-48A	24912-48A	each BREATHER PIPE, CRANKCASE TO PRIMARY, BIG TWIN 1948-1957
18	A-24913-58	24913-58	each BREATHER PIPE, W/SPACERS, CRANKCASE TO PRIMARY, BIG TWIN 1958-1964
	A-24913-KIT		kit BREATHER PIPE, W/SPACERS & NIPPLE, CRANKCASE TO PRIMARY, BIG TWIN 1958-1964
19	A-24918-58	24918-58	each BREATHER NIPPLE ONLY, BIG TWIN 1958-1964
20	A-43578-35	43578-35	each ROLLER RETAINER, PINION SHAFT, BIG TWIN 1958-1986

**\*\*PART NOT SHOWN\*\***

A-60348-65B      60348-65B      kit-3      DRAIN PLUG **\*\*MAGNETIC\*\*** BIG TWIN 1965-1999

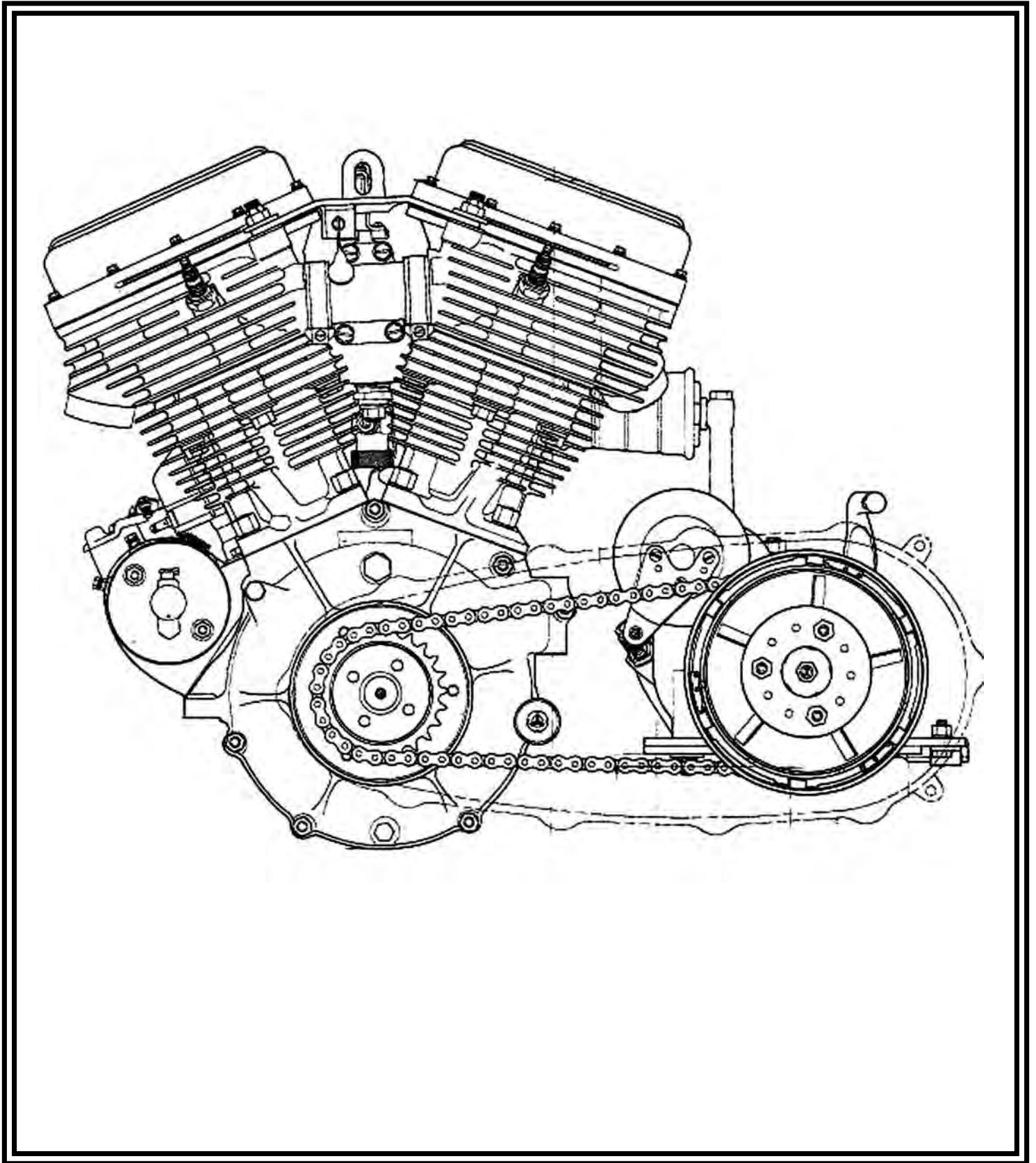


A-99030-94  
A-99032-94

TOOL, TIMKEN BEARING END PLAY, BIG TWIN 1955-PRESENT  
TOOL, TIMKEN BEARING END PLAY, SPORTSTER 1977-PRESENT

**\*5120 HILDA ROAD\* BLACKVILLE, S.C. 29817\* 803-284-3304\***

**\*\*EASTERN MOTORCYCLE PARTS\*\***



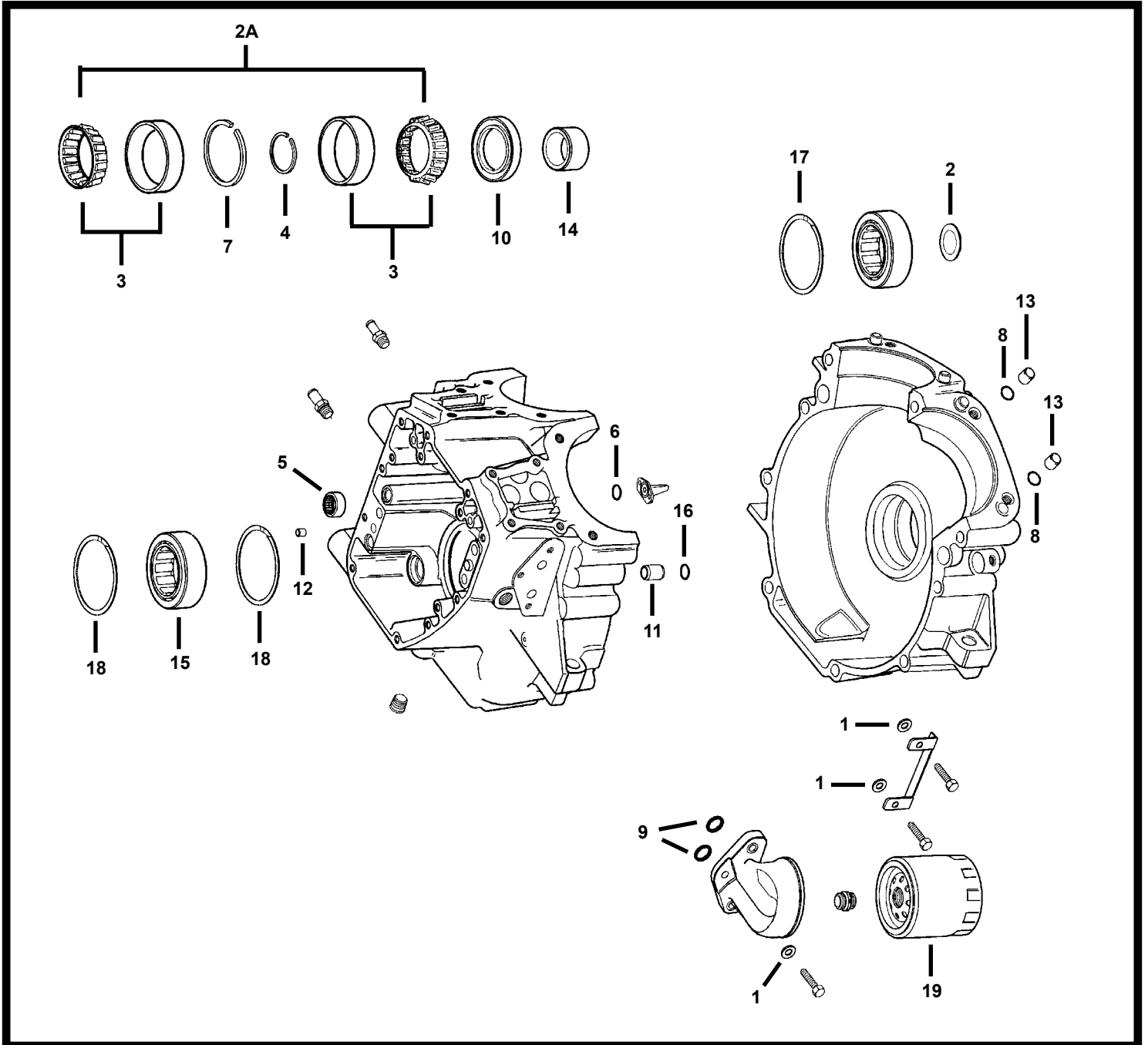
**\*5120 HILDA ROAD\* BLACKVILLE, S.C. 29817\* 803-284-3304\***

# \*\*EASTERN MOTORCYCLE PARTS\*\*

## \*\*CRANKCASE\*\*

\*\*2-CAM\*\*

\*\*BIG TWIN 1999-2002\*\*



\*\*CONTINUED ON NEXT PAGE\*\*

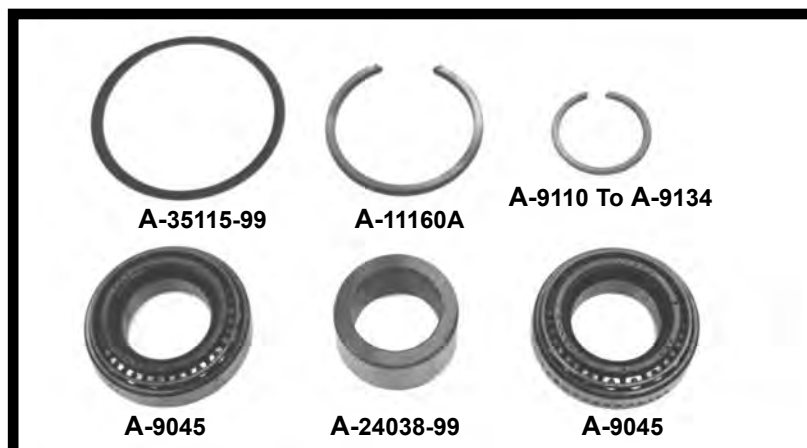
# \*\*EASTERN MOTORCYCLE PARTS\*\*

## \*\*CRANKCASE\*\*

### \*\*2-CAM\*\*

### \*\*BIG TWIN 1999-2002\*\*

<u>DIAGRAM NUMBER</u>	<u>EASTERN NUMBER</u>	<u>REPLACES OEM</u>	<u>DESCRIPTION</u>
1	A-6099	6099	pk-25 WASHER **1/4 X 7/16 X 1/16" THICK**
2	A-8972	8972	pk-5 THRUST WASHER, MAIN BEARING, BIG TWIN 2003-PRESENT
2A	A-9028	9028	each BEARING, SPROCKET SHAFT, BIG TWIN 1999-2002
3	A-9045	9045	each BEARING ONLY, <b>**CUP &amp; CONE**</b> SPROCKET SHAFT, BIG TWIN 1999-'02
4	A-9110	9110	pk-5 SHIM, MOTOR BEARING <b>**0895-0905**</b> BIG TWIN 1999-2002
	A-9120	9120	pk-5 SHIM, MOTOR BEARING <b>**0915-0925**</b> BIG TWIN 1999-2002
	A-9121	9121	pk-5 SHIM, MOTOR BEARING <b>**0935-0945**</b> BIG TWIN 1999-2002
	A-9122	9122	pk-5 SHIM, MOTOR BEARING <b>**0955-0965**</b> BIG TWIN 1999-2002
	A-9123	9123	pk-5 SHIM, MOTOR BEARING <b>**0975-0985**</b> BIG TWIN 1999-2002
	A-9124	9124	pk-5 SHIM, MOTOR BEARING <b>**0995-1005**</b> BIG TWIN 1999-2002
	A-9125	9125	pk-5 SHIM, MOTOR BEARING <b>**1015-1025**</b> BIG TWIN 1999-2002
	A-9126	9126	pk-5 SHIM, MOTOR BEARING <b>**1035-1045**</b> BIG TWIN 1999-2002
	A-9127	9127	pk-5 SHIM, MOTOR BEARING <b>**1055-1065**</b> BIG TWIN 1999-2002
	A-9128	9128	pk-5 SHIM, MOTOR BEARING <b>**1075-1085**</b> BIG TWIN 1999-2002
	A-9129	9129	pk-5 SHIM, MOTOR BEARING <b>**1095-1105**</b> BIG TWIN 1999-2002
	A-9130	9130	pk-5 SHIM, MOTOR BEARING <b>**1115-1125**</b> BIG TWIN 1999-2002
	A-9131	9131	pk-5 SHIM, MOTOR BEARING <b>**1135-1145**</b> BIG TWIN 1999-2002
	A-9132	9132	pk-5 SHIM, MOTOR BEARING <b>**1155-1165**</b> BIG TWIN 1999-2002
	A-9133	9133	pk-5 SHIM, MOTOR BEARING <b>**1175-1185**</b> BIG TWIN 1999-2002
	A-9134	9134	pk-5 SHIM, MOTOR BEARING <b>**1195-1205**</b> BIG TWIN 1999-2002
5	A-9198	9198	each BEARING, LEFT SIDE CAM, BIG TWIN 1999-2006 <b>**FULL COMPLIMENT**</b>
6	A-11140	11140	pk-10 O-RING, BIG TWIN 1999-PRESENT
7	A-11160A	11160A	pk-10 RETAINING RING, MOTOR BEARING, BIG TWIN 1999-PRESENT
8	A-11273	11273	pk-10 O-RING, CYLINDER DECK DOWEL RING, BIG TWIN 1999-PRESENT
9	A-11293	11293	pk-10 O-RING, OIL PUMP, BIG TWIN 1999-PRESENT
10	A-12068	12068	pk-5 OIL SEAL, SPROCKET SHAFT <b>**LEFT SIDE**</b> BIG TWIN 1999-PRESENT
11	A-16574-99	16574-99	pk-10 DOWEL RING, LEFT CASE TO RIGHT CASE, BIG TWIN 1999-PRESENT
12	V-13-210	16589-99A	pk-10 DOWEL RING, CAM SUPPORT PLATE, BIG TWIN 1999-PRESENT
13	A-16595-99A	16595-99A	pk-10 DOWEL RING, CYLINDER HEAD TO CASE, BIG TWIN 1999-PRESENT
14	A-24008-99	24008-99	each SPACER, SPROCKET SHAFT, <b>**FLT**</b> BIG TWIN 1999-2002
	A-24038-99	24038-99	each SPACER, SPROCKET SHAFT, <b>**SOFTAIL-DYNA**</b> BIG TWIN 1999-2002
	A-24039-01A	24039-01A	each SPACER, SPROCKET SHAFT, <b>**SOFTAIL**</b> BIG TWIN 2001-2003
15	A-24623-99B	24623-99B	each BEARING, PINION SHAFT <b>**RIGHT SIDE**</b> BIG TWIN 1999-2001
16	A-26432-76A	26432-76A	pk-10 O-RING, DOWEL RING, BIG TWIN 1999-2007
17	A-35114-02	35114-02	pk-10 RETAINING RING, MAIN BEARING, BIG TWIN 2003-PRESENT
18	A-35115-99	35115-99	pk-10 RETAINING RING, MAIN BEARING, BIG TWIN 1999-2002
19	A-63798-99	63798-99	each OIL FILTER, <b>**CHROME**</b> BIG TWIN 1999-PRESENT



# \*\*EASTERN MOTORCYCLE PARTS\*\*

## \*\*CRANKCASE\*\*

\*\*2-CAM\*\*

\*\*BIG TWIN 2003-PRESENT\*\*

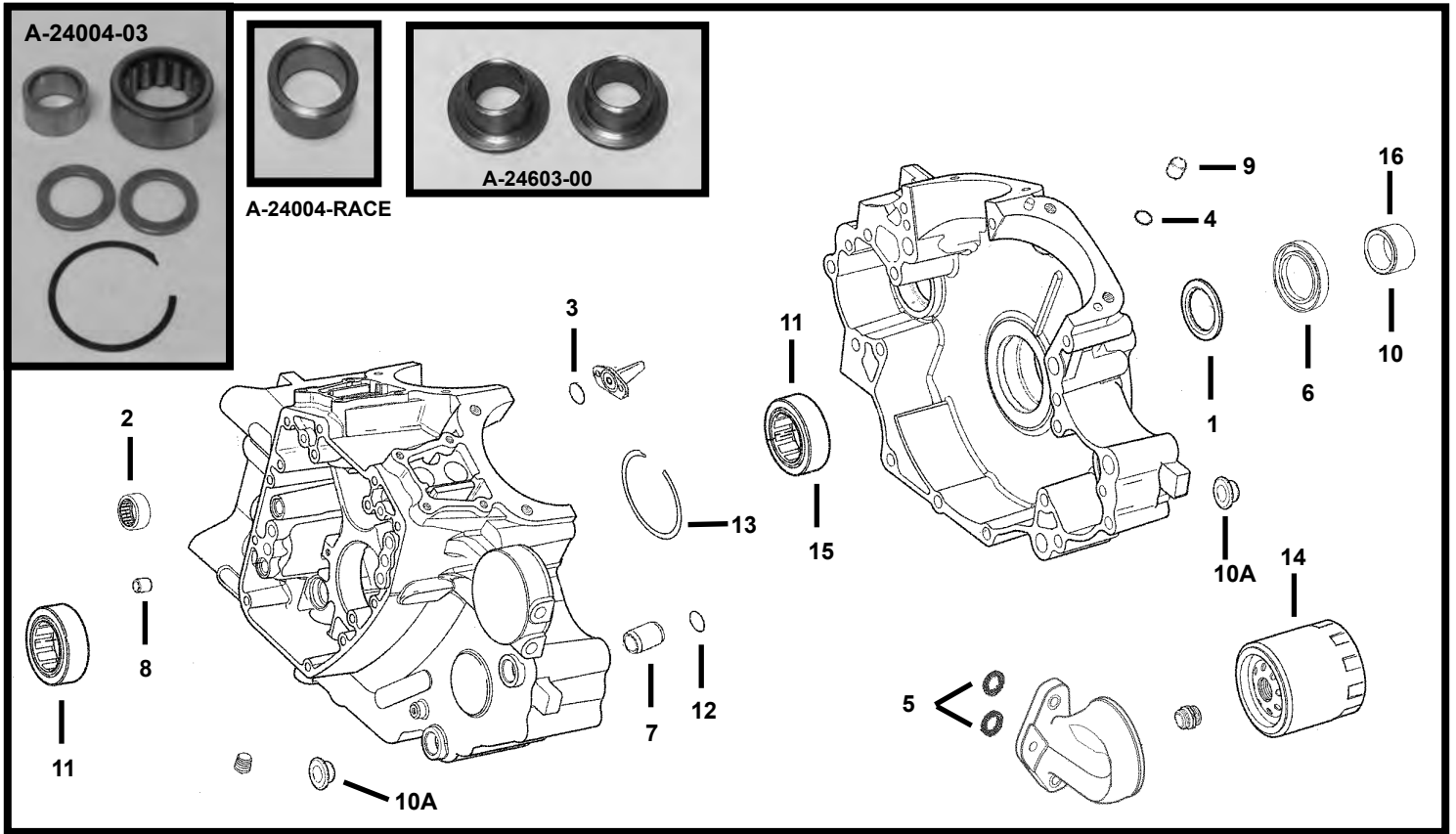


DIAGRAM NUMBER	EASTERN NUMBER	REPLACES OEM	DESCRIPTION
1	A-8972	8972	pk-5 THRUST WASHER, MAIN BEARING, BIG TWIN 2003-PRESENT
2	A-9198	9198	pair BEARING, CAM SIDE, BIG TWIN 1999-2006 <b>**FULL COMPLIMENT**</b>
3	A-11140	11140	pk-10 O-RING, AIR CONTROL, BIG TWIN 1984-PRESENT
4	A-11273	11273	pk-10 O-RING, CYLINDER, DECK, BIG TWIN 1999-PRESENT
5	A-11293	11293	pk-10 O-RING, OIL PUMP, BIG TWIN 1999-PRESENT
6	A-12068	12068	pk-5 OIL SEAL, SPROCKET SHAFT, BIG TWIN 1999-PRESENT
7	A-16574-99	16574-99A	pk-10 DOWEL RING, <b>**LEFT CASE TO RIGHT CASE**</b> BIG TWIN 1999-PRESENT
8	V-13-210	16589-99A	pk-10 DOWEL RING, CAM SUPPORT PLATE, BIG TWIN 1999-PRESENT
9	A-16595-99A	16595-99A	pk-10 DOWEL RING, CYLINDER TO HEAD, BIG TWIN 1999-PRESENT
10	A-24008-03	24008-03	each SPACER, SPROCKET SHAFT, <b>**1.540 LONG**</b> BIG TWIN 2004-2006
	A-24009-06	24009-06	each SPACER, SPROCKET SHAFT, BIG TWIN 2006-PRESENT
	A-24038-03	24038-03	each SPACER, SPROCKET SHAFT, <b>**DYNA**</b> BIG TWIN 2004-PRESENT
	A-24039-03	24039-03	each SPACER, SPROCKET SHAFT, <b>**SOFTAIL**</b> BIG TWIN 2004-PRESENT
10A	* A-24603-00	24603-00	pair SPACER, MOTOR MOUNT, <b>**4-REQUIRED**</b> BIG TWIN 2003-PRES
11	A-24604-00C	24604-00C	each BEARING, PINION SHAFT, BIG TWIN 2000-2007, SPORTSTER 2004-2009
	A-24605-07	24605-07	each BEARING, PINION SHAFT, BIG TWIN 2008-PRES, SPORTSTER 2009-PRES
12	A-26432-76A	26432-76A	pk-10 O-RING, CYLINDER STUD, BIG TWIN 1985-2007
13	A-35114-02	35114-02	pk-10 RETAINING RING, MAIN BEARING, BIG TWIN 2003-PRESENT
14	A-63798-99	63798-99	each OIL FILTER <b>**CHROME**</b> BIG TWIN 2000-PRESENT
15	A-24004-03	24004-03	kit BEARING KIT WITH WASHERS & RACE, BIG TWIN 2004-PRESENT
			<b>KIT INCL: (2) 8972 (1) 24605-07 (1) 35114-02 (1) RACE</b>
16	A-24004-RACE		each RACE ONLY, FOR BEARING KIT ABOVE (24004-03), BIG TWIN 2004-P. <b>**MADE IN U.S.A.**</b>

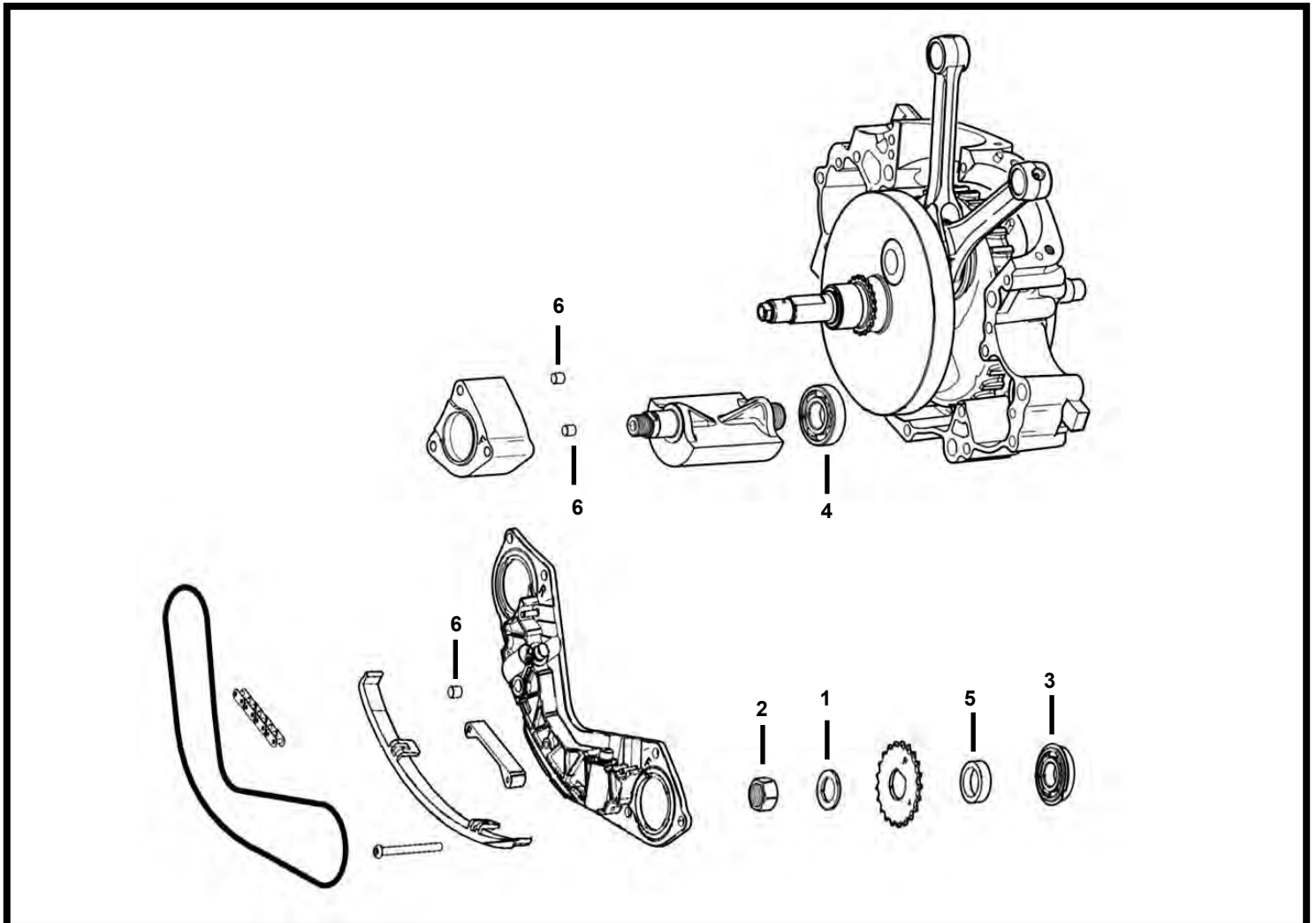
\*5120 HILDA ROAD\* BLACKVILLE, S.C. 29817\* 803-284-3304\*

# **\*\*EASTERN MOTORCYCLE PARTS\*\***

## **\*\*ENGINE BALANCER\*\***

**\*\*2-CAM\*\***

**\*\*BIG TWIN 2000-PRESENT\*\***



<u>DIAGRAM NUMBER</u>	<u>EASTERN NUMBER</u>	<u>REPLACES OEM</u>	<u>DESCRIPTION</u>
1	A-6852	6852	WASHER (STEEL) **1.120 X .640 X .087 THICK** (ZINC PLATED)
2	A-7974	7974	NUT, PINION SHAFT & BALANCER, BIG TWIN 2000-PRESENT
3	A-8991	8991	BEARING, BALANCE SHAFT **RIGHT SIDE** BIG TWIN 2000-PRESENT
4	A-8989	8989	BEARING, BALANCE SHAFT **LEFT SIDE** BIG TWIN 2000-PRESENT
5	40-0100	14780-00	SPACER, BALANCE SHAFT, (.130) BIG TWIN 2000-PRESENT
	40-0105	14781-00	SPACER, BALANCE SHAFT, (.140) BIG TWIN 2000-PRESENT
	40-0110	14782-00	SPACER, BALANCE SHAFT, (.150) BIG TWIN 2000-PRESENT
	40-0115	14783-00	SPACER, BALANCE SHAFT, (.160) BIG TWIN 2000-PRESENT
	40-0120	14784-00	SPACER, BALANCE SHAFT, (.170) BIG TWIN 2000-PRESENT
	40-0125	14785-00	SPACER, BALANCE SHAFT, (.180) BIG TWIN 2000-PRESENT
	40-0130	14786-00	SPACER, BALANCE SHAFT, (.190) BIG TWIN 2000-PRESENT
	40-0135	14787-00	SPACER, BALANCE SHAFT, (.200) BIG TWIN 2000-PRESENT
	40-0140	14788-00	SPACER, BALANCE SHAFT, (.210) BIG TWIN 2000-PRESENT
	40-0145		SPACER, BALANCE SHAFT, (.130-.210) BIG TWIN 2000-PRESENT
6	V-13-205	16583-00A	DOWEL RING, BALANCE SHAFT, BIG TWIN 2001-PRESENT



# \*\*EASTERN MOTORCYCLE PARTS\*\*

## \*\*CRANKCASE\*\*

### \*\*GEAR SIDE\*\*

### \*\*BIG TWIN 1936-1969\*\*

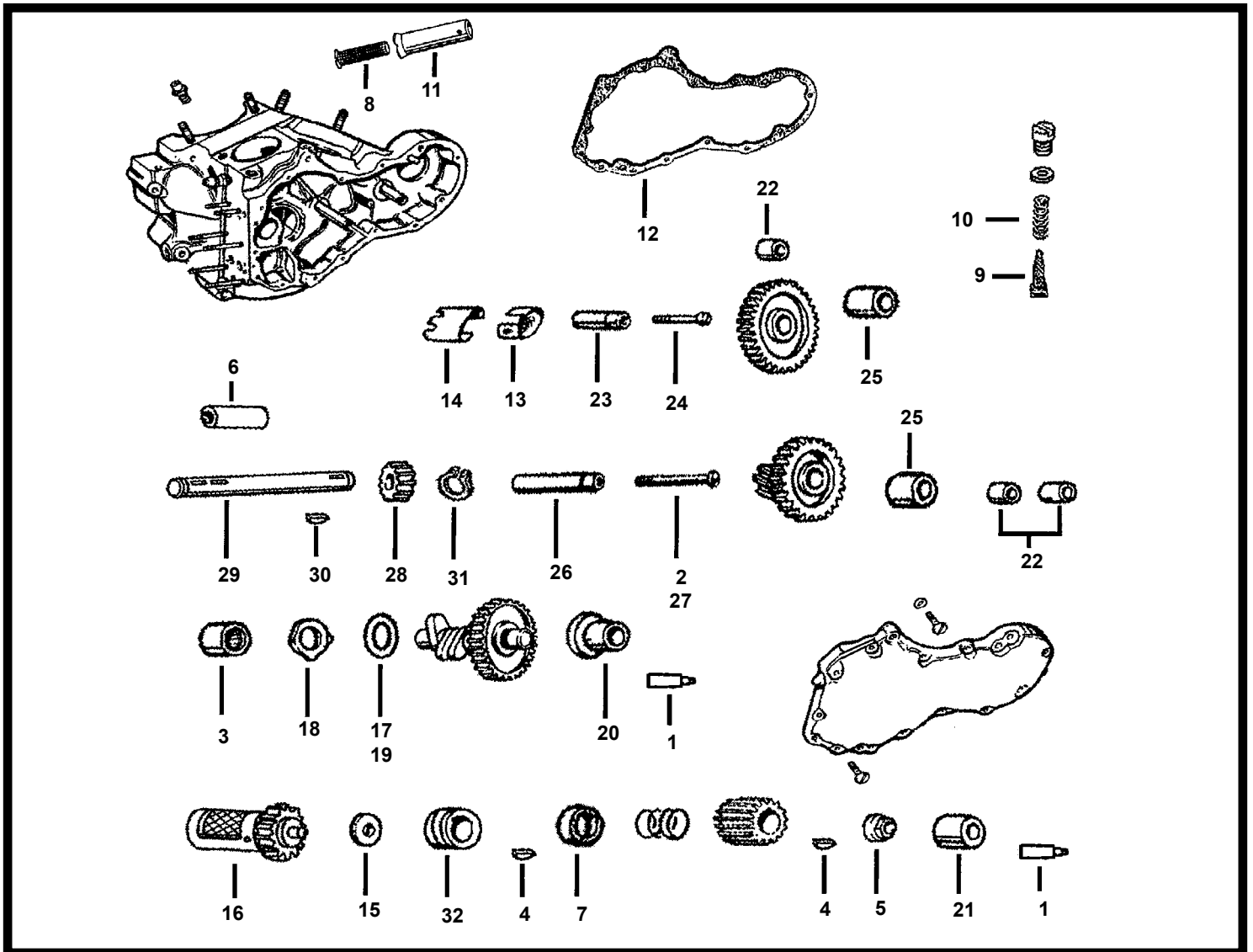


DIAGRAM NUMBER	EASTERN NUMBER	REPLACES OEM	DESCRIPTION
1	A-275	275	each DOWEL PINS, BRONZE CAM BUSHING (.125X1/4"), B/T 1930-1998
2	A-1430	1430	each SCREW, CIRCUIT BREAKER STUD (LEFT HAND), BIG TWIN 1959-1969
3	A-9058	9058	each CAM BEARING, BIG TWIN 1958-1999 <b>**TORRINGTON**</b>
	40-0305	9058	each CAM BEARING, BIG TWIN 1958-1999 <b>**IMPORT**</b>
4	A-23985-54	23985-54	pk-10 KEY, PINION SHAFT & OIL PUMP GEAR, BIG TWIN 1954-1981
5	A-24023-54	24023-54	each NUT, PINION SHAFT (L-H THREAD), BIG TWIN 1955-1990
6	A-24641-36	24641-36	each BUSHING, OIL PUMP DRIVE SHAFT, BIG TWIN 1936-1999
7	A-24703-40	24703-40	pk-5 SPACER, PINION SHAFT GEAR (R/S), BIG TWIN 1940-1954
	A-24703-54	24703-54	pk-5 SPACER, PINION SHAFT GEAR (R/S), BIG TWIN 1955-1990
8	A-24975-52	24975-52	pk-5 OIL SCREEN, CRANKCASE, BIG TWIN 1952-1962
	A-24975-63	24975-63	pk-5 OIL SCREEN, CRANKCASE, BIG TWIN 1963-1965
9	A-24981-66	24981-66	pk-5 OIL SCREEN, IN CRANKCASE, BIG TWIN 1966-1969

**\*\*CONTINUED ON NEXT PAGE\*\***

**\*5120 HILDA ROAD\* BLACKVILLE, S.C. 29817\* 803-284-3304\***

**\*Pg 44\***

# **\*\*EASTERN MOTORCYCLE PARTS\*\***

## **\*\*CRANKCASE\*\***

### **\*\*GEAR SIDE\*\***

#### **\*\*BIG TWIN 1936-1969\*\***

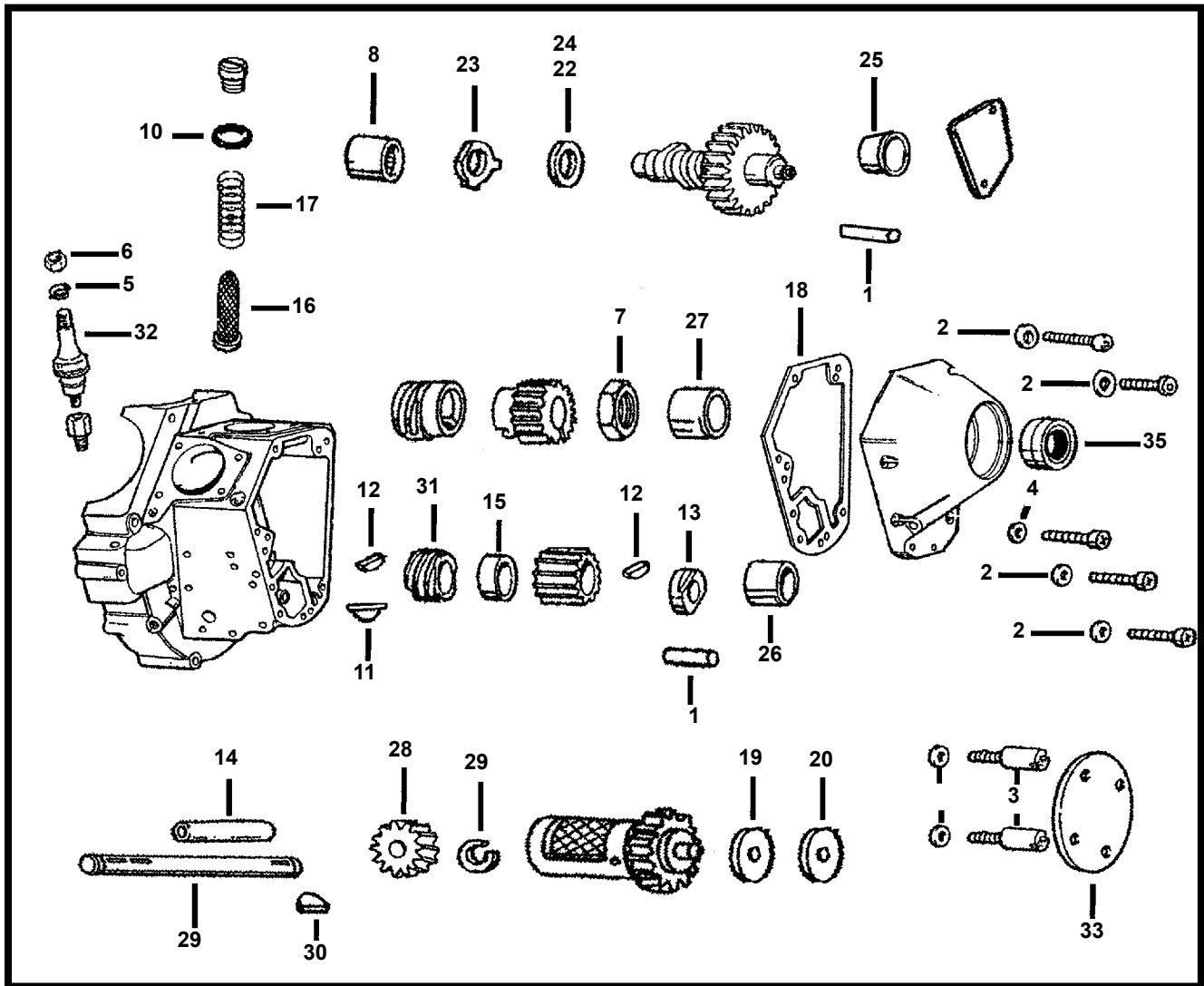
<u>DIAGRAM NUMBER</u>	<u>EASTERN NUMBER</u>	<u>REPLACES OEM</u>	<u>DESCRIPTION</u>
10	A-24982-66	24982-66	pk-10 SPRING, CRANKCASE OIL SCREEN, BIG TWIN 1966-1969
11	A-24985-52	24985-52	pk-5 CHECK VALVE BODY, OIL SCREEN, BIG TWIN 1952-1962
12	L-3-837	25225-36C	pk-10 GASKETS, CAM GEAR COVER, BIG TWIN 1936-1969
13	A-25275-36	25275-36	pk-5 BREATHER SCREEN, FOR SEPARATOR PLATE, BIG TWIN 1936-1969
14	A-25279-36	25279-39	pk-5 SEPARATOR PLATE, FOR BREATHER SCREEN, BIG TWIN 1936-1969
15	A-25313-SET		set-4 WASHER, BREATHER VALVE, STEEL (SET-4) BIG TWIN 1950-E/1979 <b>SET INCLUDES: 1 OF EACH (.110, .115, .120, .125)</b>
	A-25313-50	25313-50	pk-5 WASHER, BREATHER VALVE, STEEL (.115) BIG TWIN 1950-E/1979
	A-25314-50	25314-50	pk-5 WASHER, BREATHER VALVE, STEEL (.120) BIG TWIN 1950-E/1979
	A-25315-50	25315-50	pk-5 WASHER, BREATHER VALVE, STEEL (.125) BIG TWIN 1950-E/1979
	A-25316-52	25316-52	pk-5 WASHER, BREATHER VALVE, STEEL (.110) BIG TWIN 1950-E/1979
16	A-25313-73	25313-73	each BREATHER VALVE, WITH GEAR, (STEEL) <b>**IMPORTED**</b> B/T 1948-E/77
17	A-25550-36	25550-36	pk-5 THRUST WASHER, CAM GEAR (.050), BIG TWIN 1936-1999
18	A-25550-57	25550-57	pk-5 THRUST WASHER PLATE, <b>**WITH TABS**</b> BIG TWIN 1958-1999
	A-25550-57A	25550-57	pk-5 THRUST WASHER, <b>**ROUND STYLE**</b> BIG TWIN 1991-1999
19	A-25550-SET		set-10 WASHER, CAM GEAR (SET-10), BIG TWIN 1936-1999 <b>SET INCLUDES: (1ea) .050,.055,.060,.065,.070,.075,.080,.085,.090,.095</b>
	A-25550-90		pk-5 THRUST WASHER, CAM GEAR (.040), BIG TWIN 1936-1999
	A-25551-36	25551-36	pk-5 THRUST WASHER, CAM GEAR (.055), BIG TWIN 1936-1999
	A-25552-36	25552-36	pk-5 THRUST WASHER, CAM GEAR (.060), BIG TWIN 1936-1999
	A-25553-36	25553-36	pk-5 THRUST WASHER, CAM GEAR (.065), BIG TWIN 1936-1999
	A-25554-36	25554-36	pk-5 THRUST WASHER, CAM GEAR (.070), BIG TWIN 1936-1999
	A-25555-36	25555-36	pk-5 THRUST WASHER, CAM GEAR (.075), BIG TWIN 1936-1999
	A-25555-84	25555-84	pk-5 THRUST WASHER, CAM GEAR (.045), BIG TWIN 1936-1999
	A-25556-79	25556-79	pk-5 THRUST WASHER, CAM GEAR (.080), BIG TWIN 1936-1999
	A-25557-79	25557-79	pk-5 THRUST WASHER, CAM GEAR (.085), BIG TWIN 1936-1999
	A-25558-79	25558-79	pk-5 THRUST WASHER, CAM GEAR (.090), BIG TWIN 1936-1999
	A-25559-79	25559-79	pk-5 THRUST WASHER, CAM GEAR (.095), BIG TWIN 1936-1999
	A-25559-80		pk-5 THRUST WASHER, CAM GEAR (.100), BIG TWIN 1936-1999
20	A-25581-36	25581-36	each BUSHING, CAM GEAR (IN COVER), BIG TWIN 1936-1969
	A-25581-36+5	25581-36	each BUSHING, CAM GEAR (IN COVER), (.005 O/S) BIG TWIN 1936-1969
	A-25581-36+10	25581-36	each BUSHING, CAM GEAR (IN COVER), (.010 O/S) BIG TWIN 1936-1969
21	A-25582-54A	25582-54A	each BUSHING, PINION SHAFT (COVER), BRONZE, BIG TWIN 1955-E/1973
22	A-25785-30A	25785-30A	pair BUSHINGS, IDLER & CIRCUIT STUDS, BIG TWIN 1936-1969
23	A-25791-36	25791-36	each STUD, IDLER GEAR (CRANKCASE), BIG TWIN 1936-1969
	A-25791-77		STUD & BUSHING KIT, (IDLER GEAR) BIG TWIN 1936-1969
	A-25791-87		STUD, BUSHING & SCREW KIT, (IDLER GEAR) BIG TWIN 1936-1969
24	A-25794-36	25794-36	pk-5 SCREWS, IDLER GEAR STUD (RIGHT HAND), BIG TWIN 1936-1969
25	A-25800-36	25800-36	pair SPACERS, IDLER & CIRCUIT STUDS(1.125 O.D), BIG TWIN 1936-1969
	A-25800-36B	25800-36B	pair SPACERS, IDLER & CIRCUIT STUDS(.750 O.D.), BIG TWIN 1936-1969
26	A-25856-36	25856-36	each STUD, CIRCUIT BREAKER GEAR, BIG TWIN 1936-1969
	A-25856-77		STUD & BUSHING KIT, CIRCUIT BREAKER GEAR,BIG TWIN 1936-1969
	A-25856-86		STUD,BUSHING & SCREW KIT, CIRCUIT BREAKER, BIG TWIN 1936-58
	A-25856-87		STUD,BUSHING & SCREW KIT, CIRCUIT BREAKER, BIG TWIN 1959-69
27	A-25859-36	25859-36	pk-5 SCREWS, CIRCUIT BREAKER STUD, BIG TWIN 1936-1958
28	A-26345-39	26345-39	each DRIVE GEAR, OIL PUMP, (25-T) BIG TWIN 1941-1972
29	A-26346-36	26346-36	each DRIVE SHAFT, OIL PUMP, BIG TWIN 1936-1967
	A-26346-68	26346-68	each DRIVE SHAFT, OIL PUMP, BIG TWIN 1968-1969
30	A-26348-15	26348-15	pk-10 KEY, OIL PUMP & PINION SHAFT, BIG TWIN 1936-1999
31	A-26348-36	26348-36	pk-10 RETAINING RING, OIL PUMP SHAFT, BIG TWIN 1936-1999
32	A-26349-54	26349-54	each DRIVE GEAR, OIL PUMP, BIG TWIN 1954-1972

# **\*\*EASTERN MOTORCYCLE PARTS\*\***

## **\*\*CRANKCASE\*\***

### **\*\*GEAR SIDE\*\***

### **\*\*BIG TWIN 1970-1998\*\***



**DIAGRAM  
NUMBER**

**EASTERN  
NUMBER**

**REPLACES  
OEM**

**DESCRIPTION**

1	A-275	275	pk-25	DOWEL PINS, CAM BUSHING, (.125 X 1/4") BIG TWIN 1930-1998
2	A-6099	6099	pk-25	WASHER, (STEEL) 1/4" X 7/16" X 1/16" THICK, <b>**ZINC PLATED**</b>
3	A-6192	6192	pk-25	WASHER, NO.8 X 7/16 X 3/64 THICK
	A-6194	6194	pk-25	WASHER, 13/64 X 7/16 X 1/64 THICK
4	A-6703	6703	pk-25	WASHER, 1/4 X 5/8 X 1/16 THICK
5	36-0262	7069	pk-100	LOCK WASHERS, REGULAR #10, <b>**ZINC PLATED**</b>

**\*\*CONTINUED ON NEXT PAGE\*\***

# **\*\*EASTERN MOTORCYCLE PARTS\*\***

## **\*\*CRANKCASE\*\***

### **\*\*GEAR SIDE\*\***

#### **\*\*BIG TWIN 1970-1998\*\***

<u>DIAGRAM NUMBER</u>	<u>EASTERN NUMBER</u>	<u>REPLACES OEM</u>	<u>DESCRIPTION</u>
6	L-3-817	7634	pk-10 NUT, WITH STAR WASHER, NO. 10-32 X 1/8 X 5/16 HEX. (STEEL)
7	A-7916A	7916A	pk-5 NUT, PINION GEAR, SHAFT END, BIG TWIN 1993-1999
8	A-9058	9058	each CAM BEARING, BIG TWIN 1958-1999 <b>**TORRINGTON**</b>
	40-0305	9058	each CAM BEARING, BIG TWIN 1958-1999 <b>**IMPORT**</b>
9	A-11002	11002	pk-10 RETAINING RING, OIL PUMP SHAFT, BIG TWIN 1970-1999
10	A-11105	11105	pk-10 O-RING, OIL PUMP AND DRAIN PLUG, BIG TWIN 1978-1999
11	A-11219	11219	pk-10 KEY, T-STYLE, PINION GEAR, BIG TWIN 1990-1999
12	A-23985-54	23985-54	pk-10 KEY, PINION SHAFT,OIL PUMP GEAR, BIG TWIN 1954-1990
13	A-24022-90	24022-90	each NUT, PINION SHAFT (LEFT-HAND THREAD), BIG TWIN 1991-1992
	A-24023-54	24023-54	each NUT, PINION SHAFT (LEFT-HAND THREAD), BIG TWIN 1955-1990
14	A-24641-36	24641-36	each BUSHING, OIL PUMP DRIVE SHAFT, BIG TWIN 1936-1999
15	A-24703-40	24703-40	pk-5 SPACER, PINION SHAFT GEAR (R/S), BIG TWIN 1940-1954
	A-24703-54	24703-54	pk-5 SPACER, PINION SHAFT GEAR, BIG TWIN 1955-1990
	A-24704-90	24704-90	pk-5 SPACER, PINION SHAFT GEAR, STEEL (R/S), BIG TWIN 1991-1992
16	A-24981-70	24981-70	pk-5 OIL SCREEN, IN CRANKCASE, BIG TWIN 1970-1999
17	A-24982-70	24982-70	pk-10 SPRING, CRANKCASE OIL SCREEN, BIG TWIN 1970-1999
18	L-3-839	25225-70B	pk-10 GASKETS, CAM GEAR COVER, BIG TWIN 1970-1992
	54-7005	25225-70B	pk-5 GASKETS, CAM GEAR COVER, <b>**COMETIC**</b> BIG TWIN 1970-1992
	L-3-839B	25225-93	pk-10 GASKETS, CAM GEAR COVER, BIG TWIN 1993-1999
19	A-25313-SET		set-4 WASHER, BREATHER VALVE (SET-4) STEEL, BIG TWIN 1950-E/1979 <b>SET INCLUDES: (1) OF EACH (.110,.115,.120,.125)</b>
	A-25313-50	25313-50	pk-5 WASHER, BREATHER VALVE (.115 THICK) BIG TWIN 1950-E/1979
	A-25314-50	25314-50	pk-5 WASHER, BREATHER VALVE (.120 THICK) BIG TWIN 1950-E/1979
	A-25315-50	25315-50	pk-5 WASHER, BREATHER VALVE (.125 THICK) BIG TWIN 1950-E/1979
	A-25316-52	25316-52	pk-5 WASHER, BREATHER VALVE (.110 THICK) BIG TWIN 1950-E/1979
20	A-25302-SET		set-8 WASHER, BREATHER VALVE (SET-8) STEEL, BIG TWIN L/1979-1982 <b>SET INCLUDES: (1) OF EACH (.110,.115,.120,.125,.130,.135,.140,.145)</b>
	A-25320-79	25320-79	pk-5 WASHER, BREATHER VALVE (.110 THICK) <b>**STEEL**</b> B/T L/1979-1982
	A-25321-79	25321-79	pk-5 WASHER, BREATHER VALVE (.115 THICK) <b>**STEEL**</b> B/T L/1979-1982
	A-25322-79	25322-79	pk-5 WASHER, BREATHER VALVE (.120 THICK) <b>**STEEL**</b> B/T L/1979-1982
	A-25323-79	25323-79	pk-5 WASHER, BREATHER VALVE (.125 THICK) <b>**STEEL**</b> B/T L/1979-1982
	A-25325-79	25325-79	pk-5 WASHER, BREATHER VALVE (.130 THICK) <b>**STEEL**</b> B/T L/1979-1982
	A-25326-79	25326-79	pk-5 WASHER, BREATHER VALVE (.135 THICK) <b>**STEEL**</b> B/T L/1979-1982
	A-25327-79	25327-79	pk-5 WASHER, BREATHER VALVE (.140 THICK) <b>**STEEL**</b> B/T L/1979-1982
	A-25328-79	25328-79	pk-5 WASHER, BREATHER VALVE (.145 THICK) <b>**STEEL**</b> B/T L/1979-1982
	A-25328-93		pk-5 WASHER, BREATHER VALVE (.150 THICK) <b>**STEEL**</b> B/T L/1979-1982
	A-25319-SET		set-8 WASHER, BREATHER VALVE(SET-8) PLASTIC, BIG TWIN 1982-1999 <b>SET INCLUDES: (1) OF EACH (.130,.135,.140,.145,.150,.155,.160,.165)</b>
	A-25320-82	25320-82	pk-5 WASHER, BREATHER VALVE (.130 THICK) <b>**PLASTIC**</b> B/T 1982-1999
	A-25321-82	25321-82	pk-5 WASHER, BREATHER VALVE (.135 THICK) <b>**PLASTIC**</b> B/T 1982-1999
	A-25322-82	25322-82	pk-5 WASHER, BREATHER VALVE (.140 THICK) <b>**PLASTIC**</b> B/T 1982-1999
	A-25323-82	25323-82	pk-5 WASHER, BREATHER VALVE (.145 THICK) <b>**PLASTIC**</b> B/T 1982-1999
	A-25325-82	25325-82	pk-5 WASHER, BREATHER VALVE (.150 THICK) <b>**PLASTIC**</b> B/T 1982-1999
	A-25326-82	25326-82	pk-5 WASHER, BREATHER VALVE (.155 THICK) <b>**PLASTIC**</b> B/T 1982-1999
	A-25327-82	25327-82	pk-5 WASHER, BREATHER VALVE (.160 THICK) <b>**PLASTIC**</b> B/T 1982-1999
	A-25328-82	25328-82	pk-5 WASHER, BREATHER VALVE (.165 THICK) <b>**PLASTIC**</b> B/T 1982-1999

**\*\*CONTINUED NEXT PAGE\*\***

# **\*\*EASTERN MOTORCYCLE PARTS\*\***

## **\*\*CRANKCASE\*\***

### **\*\*GEAR SIDE\*\***

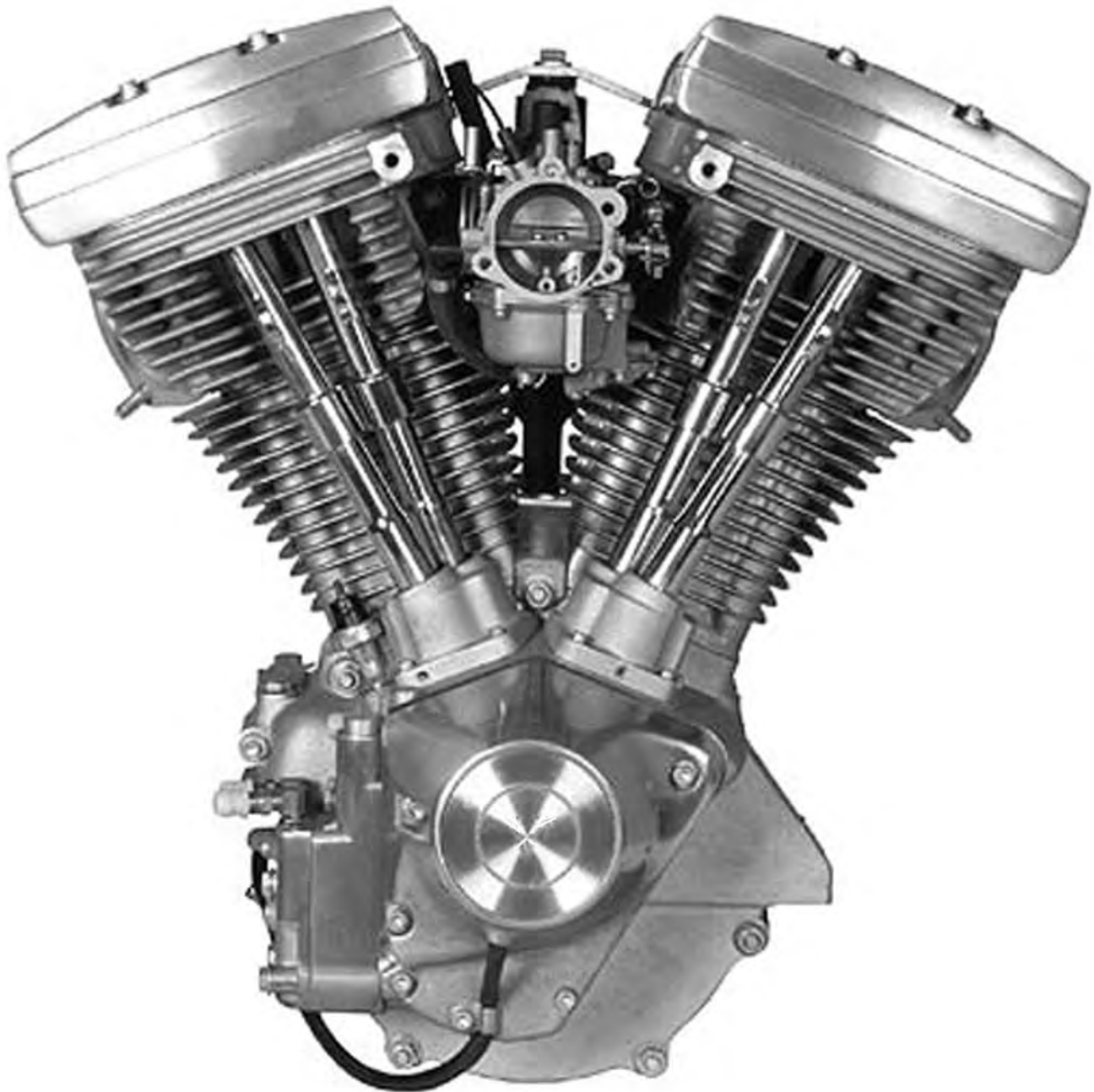
#### **\*\*BIG TWIN 1970-1998\***

<u>DIAGRAM NUMBER</u>	<u>EASTERN NUMBER</u>	<u>REPLACES OEM</u>	<u>DESCRIPTION</u>
22	A-25550-36	25550-36	pk-5 THRUST WASHER, CAM GEAR (.050), BIG TWIN 1936-1999
23	A-25550-57	25550-57	pk-5 THRUST WASHER PLATE, <b>**WITH TABS**</b> BIG TWIN 1958-1999
	A-25550-57A	25550-57A	THRUST WASHER, <b>**ROUND STYLE**</b> BIG TWIN 1991-1999
24	A-25550-SET		set-10 THRUST WASHER,CAM GEAR, (SET-10) BIG TWIN 1936-1999 <b>SET INCLUDES: (1ea) .050,.055,.060,.065,.070,.075,.080,.085,.090,.095</b>
	A-25550-90		pk-5 THRUST WASHER, CAM GEAR (.040), BIG TWIN 1936-1999
	A-25551-36	25551-36	pk-5 THRUST WASHER, CAM GEAR (.055), BIG TWIN 1936-1999
	A-25552-36	25552-36	pk-5 THRUST WASHER, CAM GEAR (.060), BIG TWIN 1936-1999
	A-25553-36	25553-36	pk-5 THRUST WASHER, CAM GEAR (.065), BIG TWIN 1936-1999
	A-25554-36	25554-36	pk-5 THRUST WASHER, CAM GEAR (.070), BIG TWIN 1936-1999
	A-25555-36	25555-36	pk-5 THRUST WASHER, CAM GEAR (.075), BIG TWIN 1936-1999
	A-25555-84	25555-84	pk-5 THRUST WASHER, CAM GEAR (.045), BIG TWIN 1936-1999
	A-25556-79	25556-79	pk-5 THRUST WASHER, CAM GEAR (.080), BIG TWIN 1936-1999
	A-25557-79	25557-79	pk-5 THRUST WASHER, CAM GEAR (.085), BIG TWIN 1936-1999
	A-25558-79	25558-79	pk-5 THRUST WASHER, CAM GEAR (.090), BIG TWIN 1936-1999
	A-25559-79	25559-79	pk-5 THRUST WASHER, CAM GEAR (.095), BIG TWIN 1936-1999
	A-25559-80		pk-5 THRUST WASHER, CAM GEAR (.100), BIG TWIN 1936-1999
25	A-25581-70	25581-70	each BUSHING, CAM GEAR, (IN COVER) BIG TWIN 1970-1999
	A-25581-70+5	25581-70	each BUSHING, CAM GEAR, <b>**IN COVER** (.005 O/S)</b> BIG TWIN 1970-1999
	A-25581-70+10	25581-70	each BUSHING, CAM GEAR, <b>**IN COVER** (.010 O/S)</b> BIG TWIN 1970-1999
26	A-25582-54A	25582-54	each BUSHING, PINION SHAFT (COVER), BRONZE, BIG TWIN 1955-E/1973
	A-25582-73	25582-73	each BUSHING, PINION SHAFT (COVER), BRONZE, BIG TWIN L/1973-1992
	A-25582-73+5	25582-73	each BUSHING, PINION SHAFT <b>(.005)</b> BRONZE, BIG TWIN L/1973-1992
	A-25582-73+10	25582-73	each BUSHING, PINION SHAFT <b>(.010)</b> BRONZE, BIG TWIN L/1973-1992
27	A-25582-93	25582-93	each BUSHING, PINION SHAFT (COVER), BRONZE, BIG TWIN 1993-1999
	A-25582-93+5	25582-93	each BUSHING, PINION SHAFT <b>(.005)</b> BRONZE, BIG TWIN 1993-1999
28	A-26345-39	26345-39	each DRIVE GEAR, OIL PUMP, (25-T) BIG TWIN 1941-1972
	A-26345-73	26345-73	each DRIVE GEAR, OIL PUMP, (24-T) BIG TWIN 1973-1999
29	A-26346-70	26346-70	each DRIVE SHAFT, OIL PUMP, BIG TWIN 1970-1999
30	A-26348-15	26348-15	pk-10 KEY, OIL PUMP & PINION SHAFT, BIG TWIN 1936-1999
31	A-26349-54	26349-54	each GEAR, OIL PUMP DRIVE, BIG TWIN 1954-1972
	A-26349-73A	26349-73	each GEAR, OIL PUMP DRIVE, BIG TWIN 1973-1985
	A-26349-84	26349-84	each GEAR, OIL PUMP DRIVE, BIG TWIN 1984-1989
32	A-26561-84	26561-84	each SWITCH, OIL PRESSURE, (EVOLUTION) BIG TWIN 1984-1999
33	L-3-832	32591-70	pk-10 GASKETS, *POINTS* (GEAR) COVER, BIG TWIN 1970-1979
	L-3-834	32591-80	pk-10 GASKETS, *POINTS* (GEAR) COVER, BIG TWIN 1980-1996
34	A-32601-78	32601-78	pair STUDS, CIRCUIT BREAKER PLATE, BIG TWIN 1970-1982
	A-32606-82	32606-82	pair STUDS, CIRCUIT BREAKER PLATE, BIG TWIN 1982-1999
	A-32606-96		pair STUDS, CIRCUIT BREAKER PLATE (O/S THREAD), B/T 1982-1999
	A-32608-70	32608-70	pair STUDS, CIRCUIT BREAKER PLATE, BIG TWIN 1970-1972
35	A-83162-51	83162-51	pk-5 OIL SEALS, CRANK CASE (POINTS), BIG TWIN 1970-1999

#### **\*\*PART NOT SHOWN\*\***

A-60348-65B 60348-65B kit-3 DRAIN PLUG **\*\*MAGNETIC\*\*** BIG TWIN 1965-1999

**\*\*EASTERN MOTORCYCLE PARTS\*\***



**\*5120 HILDA ROAD\* BLACKVILLE, S.C. 29817\* 803-284-3304\***



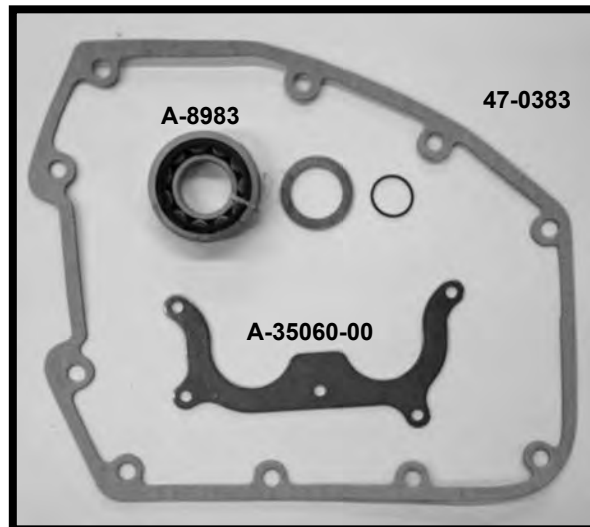
# **\*\*EASTERN MOTORCYCLE PARTS\*\***

## **\*\*CAMSHAFT AND COVER\*\***

**\*\*2-CAM\*\***

**\*\*BIG TWIN 1999-PRESENT\*\***

<u>DIAGRAM NUMBER</u>	<u>EASTERN NUMBER</u>	<u>REPLACES OEM</u>		<u>DESCRIPTION</u>
1	A-601	601	pk-25	ROLL PINS, **1/8 X 3/4** (ZINC PLATED)
2	A-8990	8990	each	BEARING, WITH INNER RACE, LEFT SIDE CAM, BIG TWIN 1999-2006
3	A-8983	8983	each	BEARING ASSEMBLY, BIG TWIN 2000-2006
3A	A-8983-O		pk-10	O-RINGS, <b>**FOR 8983 BEARING**</b> BIG TWIN 2000-2006
3B	A-8983-S		pk-5	SPACERS, <b>**FOR 8983 BEARING**</b> BIG TWIN 2000-2006
4	A-11031	11031	pk-10	RETAINING RING, BIG TWIN 1999-PRESENT
5	A-11157	11157	pk-10	O-RING, INNER OIL PUMP, BIG TWIN 2003-PRESENT
6	A-11286	11286	pk-10	O-RING, INNER OIL PUMP, BIG TWIN 1999-2007
7	A-11293	11293	pk-10	O-RING, INNER OIL PUMP, BIG TWIN 1999-2002
8	A-11298	11298	pk-10	O-RING, CAM SUPPORT PLUG, BIG TWIN 1999-2006
9	A-11301	11301	pk-10	O-RINGS, INNER OIL PUMP, BIG TWIN 1999-PRESENT
10	A-11494	11494	pk-10	RETAINING RING, OUTER CAM GEAR, BIG TWIN 1999-2006
11	A-24983-00	24983-00	pk-5	OIL SCREEN, BIG TWIN 2001-PRESENT
12	47-0383	25244-99	pk-10	GASKET, CAM GEAR COVER, BIG TWIN 1999-PRESENT
13	A-25344-99	25344-99	each	BUSHING, CAMSHAFT, BIG TWIN 1999-2005
14	74-1399	25716-99	each	SPROCKET, CAM DRIVE <b>**34-TOOTH**</b> BIG TWIN 1999-2006
15	A-25562-99	25562-99	pk-5	SPACER, CAM DRIVE SPROCKET <b>**350 THICK**</b> BIG TWIN 1999-ONLY
	A-25595-99	25595-99	pk-5	SPACER, CAM DRIVE SPROCKET <b>**355 THICK**</b> BIG TWIN 1999-ONLY
	A-25674-99	25674-99	pk-5	SPACER, CAM DRIVE SPROCKET <b>**360 THICK**</b> BIG TWIN 1999-ONLY
	A-25675-99	25675-99	pk-5	SPACER, CAM DRIVE SPROCKET <b>**365 THICK**</b> BIG TWIN 1999-ONLY
	A-25676-99	25676-99	pk-5	SPACER, CAM DRIVE SPROCKET <b>**370 THICK**</b> BIG TWIN 1999-ONLY
	A-25676-SET		set-5	SPACER SET, CAM DRIVE SPROCKET, BIG TWIN 1999-ONLY <b>SET INCL: (1) each 25562-99, 25595-99, 25674-99, 25675-99, 25676-99</b>
17	A-25717-00	25717-00	pk-5	SPACER, CAM DRIVE SPROCKET <b>**327 THICK**</b> BIG TWIN 2001-2005
	A-25719-00	25719-00	pk-5	SPACER, CAM DRIVE SPROCKET <b>**317 THICK**</b> BIG TWIN 2001-2005
	A-25721-00	25721-00	pk-5	SPACER, CAM DRIVE SPROCKET <b>**307 THICK**</b> BIG TWIN 2001-2005
	A-25722-00	25722-00	pk-5	SPACER, CAM DRIVE SPROCKET <b>**287 THICK**</b> BIG TWIN 2001-2005
	A-25723-00	25723-00	pk-5	SPACER, CAM DRIVE SPROCKET <b>**297 THICK**</b> BIG TWIN 2001-2005
	A-25723-SET		set-5	SPACER SET, CAM DRIVE SPROCKET, BIG TWIN 2001-2005 <b>SET INCL: (1) each 25717-00, 25719-00, 25721-00, 25722-00, 25723-00</b>



**\*\*CONTINUED NEXT PAGE\*\***

**\*5120 HILDA ROAD\* BLACKVILLE, S.C. 29817\* 803-284-3304\***

**\*Pg 50\***



# **\*\*EASTERN MOTORCYCLE PARTS\*\***

## **\*\*CAMSHAFT AND COVER\*\***

### **\*\*2-CAM\*\***

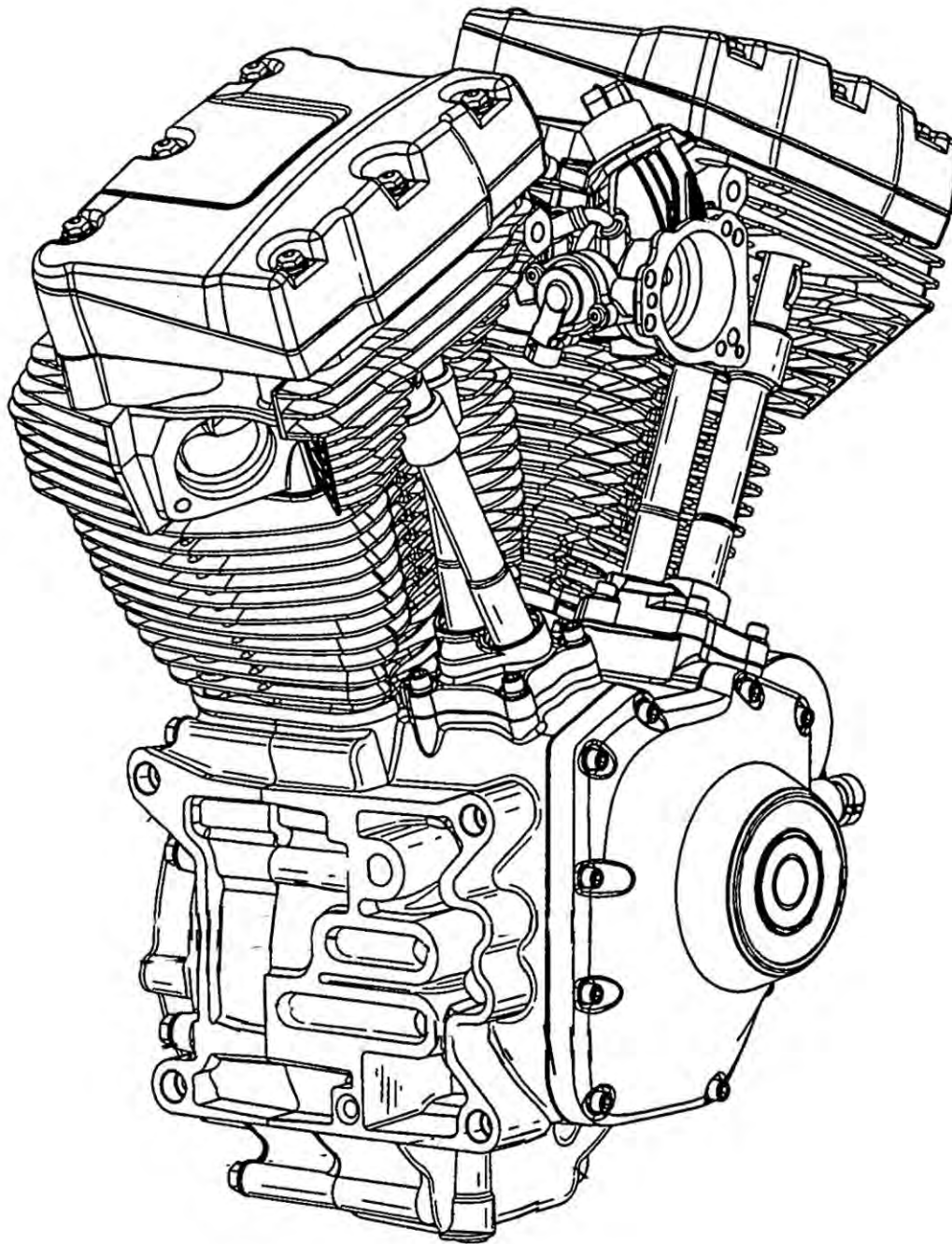
### **\*\*BIG TWIN 1999-PRESENT\*\***

<u>DIAGRAM NUMBER</u>	<u>EASTERN NUMBER</u>	<u>REPLACES OEM</u>	<u>DESCRIPTION</u>
17A	41-0130	25729-06	pk-5 SPACER, CAM DRIVE SPROCKET <b>**100 THICK**</b> BIG TWIN 2006-PRES.
	41-0132	25731-06	pk-5 SPACER, CAM DRIVE SPROCKET <b>**110 THICK**</b> BIG TWIN 2006-PRES
	41-0134	25734-06	pk-5 SPACER, CAM DRIVE SPROCKET <b>**120 THICK**</b> BIG TWIN 2006-PRES
	41-0136	25736-06	pk-5 SPACER, CAM DRIVE SPROCKET <b>**130 THICK**</b> BIG TWIN 2006-PRES
	41-0138	25737-06	pk-5 SPACER, CAM DRIVE SPROCKET <b>**140 THICK**</b> BIG TWIN 2006-PRES
	41-0140	25738-06	pk-5 SPACER, CAM DRIVE SPROCKET <b>**150 THICK**</b> BIG TWIN 2006-PRES
	41-0150		set-6 SPACER SET, CAM DRIVE SPROCKET, BIG TWIN 2006-PRESENT <b>SET INCLUDES: (1) each 25729-06, 25731-06, 25734-06, 25736,06, 25737-06, 25738-06</b>
	18	A-26210-99	26210-99
19	A-26400-82	26400-82	each PLUNGER, OIL PUMP RELIEF VALVE, BIG TWIN 1999-PRESENT
20	A-35060-00	35060-00	pk-5 BEARING RETENTION PLATE, BIG TWIN 2000-2006
21	74-1301		set CAM <b>**ANDREWS**</b> TW-21 GRIND (498 LIFT) BIG TWIN 1999-2006
	74-1302		set CAM <b>**ANDREWS**</b> TW-26 GRIND (490 LIFT) BIG TWIN 1999-2006
	74-1303		set CAM <b>**ANDREWS**</b> TW-31 GRIND (510 LIFT) BIG TWIN 1999-2006
	74-1304		set CAM <b>**ANDREWS**</b> TW-37 GRIND (510 LIFT) BIG TWIN 1999-2006
	74-1305		set CAM <b>**ANDREWS**</b> TW-44 GRIND (495 LIFT) BIG TWIN 1999-2006
	74-1306		set CAM <b>**ANDREWS**</b> TW-50 GRIND (510 LIFT) BIG TWIN 1999-2006
	74-1307		set CAM <b>**ANDREWS**</b> TW-55 GRIND (550 LIFT) BIG TWIN 1999-2006
	74-1308		set CAM <b>**ANDREWS**</b> TW-60 GRIND (560 LIFT) BIG TWIN 1999-2006
	74-1312		set CAM <b>**ANDREWS**</b> TW-67 GRIND (550 LIFT) BIG TWIN 1999-2006
	74-1351		set CAM <b>**ANDREWS**</b> 21-G GRIND (498 LIFT) BIG TWIN 1999-2006
75-0193		set CAM <b>**CRANE**</b> HTC-300-2 GRIND (505 LIFT) BIG TWIN 2000-PRESENT	
22	A-39954-99A	39954-99A	each CHAIN TENSIONER, BIG TWIN 1999-2006
23	A-39964-99A	39964-99A	each CHAIN TENSIONER, BIG TWIN 1999-2006
24	A-39965-99	39965-99	pk-5 CHAIN GUIDE, BIG TWIN 1999-2006



74-1301

**\*\*EASTERN MOTORCYCLE PARTS\*\***



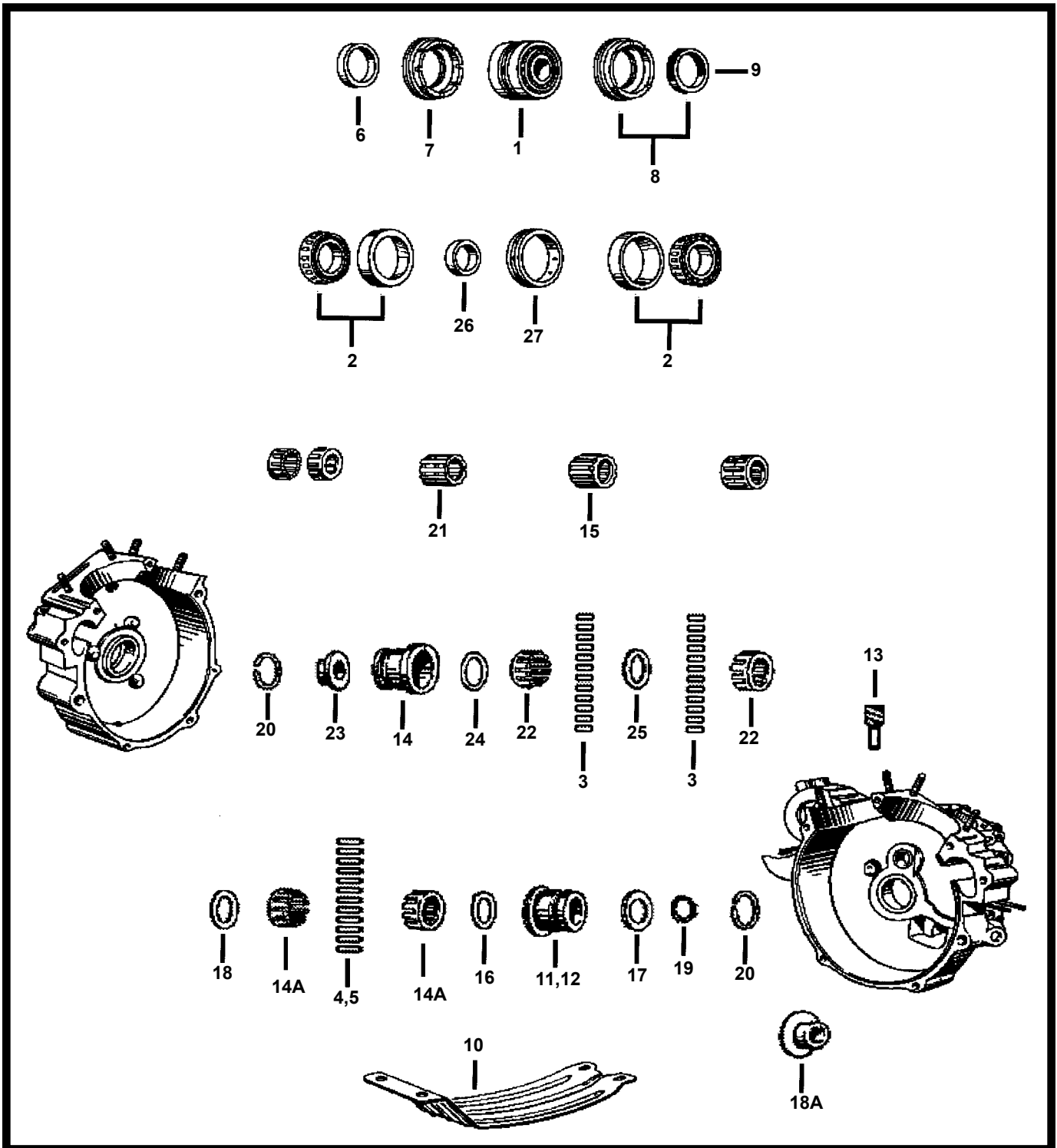
**\*5120 HILDA ROAD\* BLACKVILLE, S.C. 29817\* 803-284-3304\***

# \*\*EASTERN MOTORCYCLE PARTS\*\*

## \*\*CRANKCASE\*\*

### \*\*OVERHEAD VALVE\*\*

#### \*\*BIG TWIN 1940-1957\*\*



\*\*CONTINUED NEXT PAGE\*\*

\*5120 HILDA ROAD\* BLACKVILLE, S.C. 29817\* 803-284-3304\*

\*Pg 52\*

# **\*\*EASTERN MOTORCYCLE PARTS\*\***

## **\*\*CRANKCASE\*\***

### **\*\*OVERHEAD VALVE\*\***

#### **\*\*BIG TWIN 1940-1957\*\***

<u>DIAGRAM NUMBER</u>	<u>EASTERN NUMBER</u>	<u>REPLACES OEM</u>	<u>DESCRIPTION</u>
1	A-9029	9029	each BEARING **COMPLETE** SPROCKET SHAFT, BIG TWIN 1955-1968
2	A-9045	9045	each BEARING, SPROCKET SHAFT **CUP & CONE ONLY** B/T 1955-2002
3	A-9220-24	9220	set-24 BEARINGS, CASE BUSHING **L/SIDE** (STD) BIG TWIN 1930-1957
	A-9221-24	9221	set-24 BEARINGS, CASE BUSHING **L/SIDE** (.0002) BIG TWIN 1930-1957
	A-9222-24	9222	set-24 BEARINGS, CASE BUSHING **L/SIDE** (.0004) BIG TWIN 1930-1957
	A-9223-24	9223	set-24 BEARINGS, CASE BUSHING **L/SIDE** (.0006) BIG TWIN 1930-1957
	A-9224-24	9224	set-24 BEARINGS, CASE BUSHING **L/SIDE** (.0008) BIG TWIN 1930-1957
	A-9225-24	9225	set-24 BEARINGS, CASE BUSHING **L/SIDE** (+.001) BIG TWIN 1930-1957
	A-9226-24		set-24 BEARINGS, CASE BUSHING **L/SIDE** (+.002) BIG TWIN 1930-1957
4	A-9261-12	9261	set-12 BEARINGS, CASE BUSHING **R/SIDE** (STD) BIG TWIN 1937-1954
	A-9262-12	9262	set-12 BEARINGS, CASE BUSHING **R/SIDE** (.0002) BIG TWIN 1937-1954
	A-9263-12	9263	set-12 BEARINGS, CASE BUSHING **R/SIDE** (.0004) BIG TWIN 1937-1954
	A-9264-12	9264	set-12 BEARINGS, CASE BUSHING **R/SIDE** (.0006) BIG TWIN 1937-1954
	A-9265-12	9265	set-12 BEARINGS, CASE BUSHING **R/SIDE** (.0008) BIG TWIN 1937-1954
	A-9266-12	9266	set-12 BEARINGS, CASE BUSHING **R/SIDE** (+.001) BIG TWIN 1937-1954
5	A-9421-13	9421	set-13 BEARINGS, CASE BUSHING **R/SIDE** (STD) BIG TWIN 1955-1957
	A-9422-13	9422	set-13 BEARINGS, CASE BUSHING **R/SIDE** (.0002) BIG TWIN 1955-1957
	A-9423-13	9423	set-13 BEARINGS, CASE BUSHING **R/SIDE** (.0004) BIG TWIN 1955-1957
	A-9424-13	9424	set-13 BEARINGS, CASE BUSHING **R/SIDE** (.0006) BIG TWIN 1955-1957
	A-9425-13	9425	set-13 BEARINGS, CASE BUSHING **R/SIDE** (.0008) BIG TWIN 1955-1957
	A-9426-13	9426	set-13 BEARINGS, CASE BUSHING **R/SIDE** (+.001) BIG TWIN 1955-1957
6	A-24029-55	24029-55	pk-5 SPACER, SPROCKET SHAFT, (.336 THICK) BIG TWIN 1955-1964
7	A-24031-55	24031-55	each BEARING NUT, SPROCKET SHAFT <b>**OEM STYLE**</b> BIG TWIN 1955-'68
8	A-24031-93		<b>**DISCONTINUED**</b>
9	A-24031-94		each OIL SEAL FOR BEARING NUT, BIG TWIN 1955-1968
10	Y-21-960	24490-36	each CRANKCASE MOTOR GUARD <b>**CHROME**</b> BIG TWIN 1936-1984
11	A-24599-40	24599-40	each CASE BUSHING **RIGHT SIDE** (STD) BIG TWIN 1940-1954
	A-24600-40	24600-40	each CASE BUSHING **RIGHT SIDE** (.002) BIG TWIN 1940-1954
	A-24601-40	24601-40	each CASE BUSHING **RIGHT SIDE** (.005) BIG TWIN 1940-1954
	A-24601-78		each CASE BUSHING **RIGHT SIDE** (.010) BIG TWIN 1940-1954
	A-24601-79		each CASE BUSHING **RIGHT SIDE** (.015) BIG TWIN 1940-1954
	A-24601-80		each CASE BUSHING **RIGHT SIDE** (.020) BIG TWIN 1940-1954
	A-24601-81		each CASE BUSHING **RIGHT SIDE** (.025) BIG TWIN 1940-1954
	A-24601-82		each CASE BUSHING **RIGHT SIDE** (.030) BIG TWIN 1940-1954
	A-24601-83		each CASE BUSHING **RIGHT SIDE** (.035) BIG TWIN 1940-1954
	A-24601-83C		each CASE BUSHING **RIGHT SIDE** (.040) BIG TWIN 1940-1954
12	A-24599-55	24599-55	each CASE BUSHING **RIGHT SIDE** (STD) BIG TWIN 1955-1957
	A-24600-55	24600-55	each CASE BUSHING **RIGHT SIDE** (.002) BIG TWIN 1955-1957
	A-24601-55	24601-55	each CASE BUSHING **RIGHT SIDE** (.005) BIG TWIN 1955-1957
	A-24601-84		each CASE BUSHING **RIGHT SIDE** (.010) BIG TWIN 1955-1957
	A-24601-85		each CASE BUSHING **RIGHT SIDE** (.015) BIG TWIN 1955-1957
13	A-24608-54	24608-54	pk-10 LOCK SCREWS, CASE BUSHINGS, BIG TWIN 1954-1978
14	A-24621-40	24621-40	each CASE BUSHING **LEFT SIDE** (STD) BIG TWIN 1940-1954
	A-24622-40	24622-40	each CASE BUSHING **LEFT SIDE** (.002) BIG TWIN 1940-1954
	A-24623-40	24623-40	each CASE BUSHING **LEFT SIDE** (.005) BIG TWIN 1940-1954
	A-24623-78		each CASE BUSHING **LEFT SIDE** (.010) BIG TWIN 1940-1954
	A-24623-79		each CASE BUSHING **LEFT SIDE** (.015) BIG TWIN 1940-1954
	A-24623-80		each CASE BUSHING **LEFT SIDE** (.020) BIG TWIN 1940-1954
	A-24623-81		each CASE BUSHING **LEFT SIDE** (.025) BIG TWIN 1940-1954
	A-24623-82		each CASE BUSHING **LEFT SIDE** (.030) BIG TWIN 1940-1954
	A-24623-83		each CASE BUSHING **LEFT SIDE** (.035) BIG TWIN 1940-1954
	A-24623-84		each CASE BUSHING **LEFT SIDE** (.040) BIG TWIN 1940-1954

**\*\*CONTINUED ON NEXT PAGE\*\***

**\*5120 HILDA ROAD\* BLACKVILLE, S.C. 29817\* 803-284-3304\***

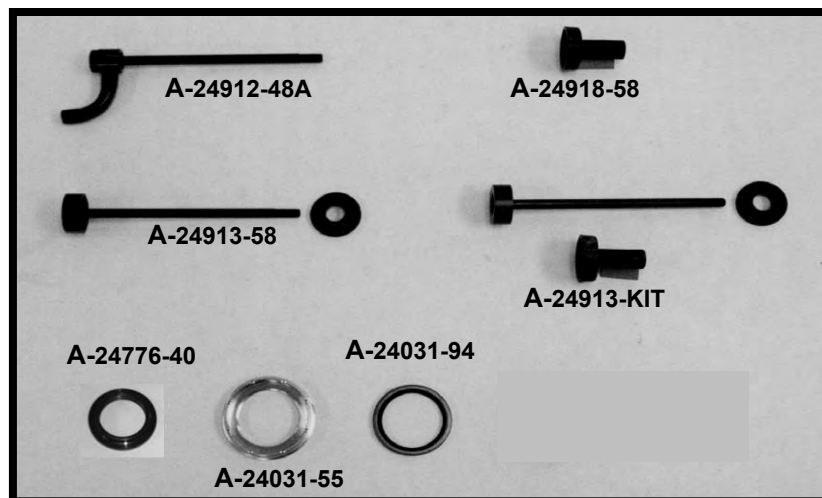
# **\*\*EASTERN MOTORCYCLE PARTS\*\***

## **\*\*CRANKCASE\*\***

### **\*\*OVERHEAD VALVE\*\***

#### **\*\*BIG TWIN 1940-1957\*\***

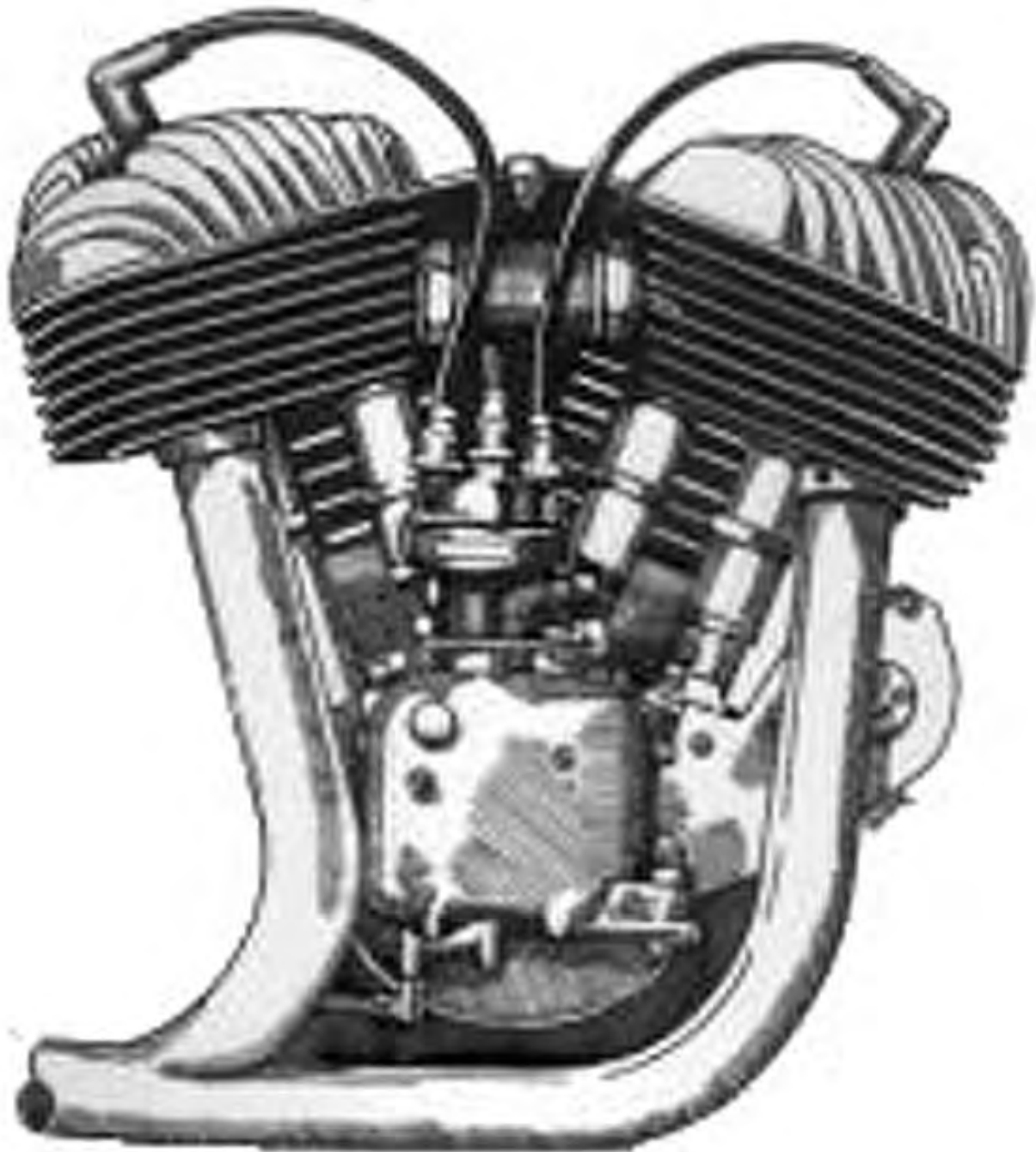
<u>DIAGRAM NUMBER</u>	<u>EASTERN NUMBER</u>	<u>REPLACES OEM</u>	<u>DESCRIPTION</u>
14A	A-24646-36	24646-36 pair	ROLLER RETAINER, **PINION SHAFT** BIG TWIN 1936-1954
15	A-24650-55	24650-55 set	RETAINERS **WITH BEARINGS** R/SIDE (STD) BIG TWIN 1955-1957
	A-24651-55	24651-55 set	RETAINERS **WITH BEARINGS** R/SIDE (.0002) BIG TWIN 1955-1957
	A-24652-55	24652-55 set	RETAINERS **WITH BEARINGS** R/SIDE (.0004) BIG TWIN 1955-1957
	A-24653-55	24653-55 set	RETAINERS **WITH BEARINGS** R/SIDE (.0006) BIG TWIN 1955-1957
	A-24654-55	24654-55 set	RETAINERS **WITH BEARINGS** R/SIDE (.0008) BIG TWIN 1955-1957
	A-24655-55	24655-55 set	RETAINERS **WITH BEARINGS** R/SIDE (+.001) BIG TWIN 1955-1957
16	A-24690-40	24690-40 pk-5	WASHERS, CASE BUSHING **RIGHT SIDE** BIG TWIN 1940-1954
17	A-24692-54	24692-54 pk-5	WASHERS, GEAR SHAFT **RIGHT SIDE** BIG TWIN 1954-1957
18	A-24695-40	24695-40 pk-5	SPACER, CASE BUSHING **RIGHT SIDE** BIG TWIN 1940-1954
18A	A-24697-40	24697-40 each	SEAL RING HAT FOR PINION SHAFT, BIG TWIN 1940-1954
19	A-24701-54	24701-54 pk-10	RETAINING RING, CASE BUSHING, BIG TWIN 1954-1957
20	A-24702-40	24702-40 pk-10	RETAINING RING, CASE BUSHING, BIG TWIN 1940-1954
21	A-24718-54	24718-54 each	ROLLER RETAINER, **RIGHT SIDE** BIG TWIN 1955-1957
22	A-24721-30	24721-30 each	ROLLER RETAINER, **LEFT SIDE** BIG TWIN 1930-1954
23	A-24776-40	24776-40 each	OIL SLINGER, <b>**OEM STYLE**</b> BIG TWIN 1940-1954
24	A-24779-40	24779-40 pk-5	WASHERS, CASE BUSHING **LEFT SIDE** BIG TWIN 1940-1954
25	A-24781-36	24781-36 pk-5	SPACER, CASE BUSHING **LEFT SIDE** BIG TWIN 1937-1954
26	45-0115	pk-5	SPACER, INNER TIMKEN (.256/.257) BIG TWIN 1955-1968
	45-0117	pk-5	SPACER, INNER TIMKEN (.258/.259) BIG TWIN 1955-1968
	45-0119	pk-5	SPACER, INNER TIMKEN (.260/.261) BIG TWIN 1955-1968
	45-0121	pk-5	SPACER, INNER TIMKEN (.262/.263) BIG TWIN 1955-1968
	45-0123	pk-5	SPACER, INNER TIMKEN (.264/.265) BIG TWIN 1955-1968
	45-0125	pk-5	SPACER, INNER TIMKEN (.266/.267) BIG TWIN 1955-1968
27	45-0135	each	SPACER, OUTER TIMKEN **W/OIL HOLES** BIG TWIN 1955-1968



A-24031-55	24031-55	each	SPROCKET SHAFT BEARING NUT <b>**OEM STYLE**</b> BIG TWIN 1955-1968
A-24031-93			<b>**DISCONTINUED**</b>
A-24031-94		pk-5	OIL SEAL FOR SPROCKET SHAFT BEARING NUT, BIG TWIN 1955-1968
A-24912-48A	24912-48A	each	BREATHER PIPE, CRANKCASE TO PRIMARY, BIG TWIN 1948-1957
A-24913-58	24913-58	each	BREATHER PIPE, CRANKCASE TO PRIMARY, BIG TWIN 1958-1964
			KIT, BREATHER PIPE WITH NIPPLE, BIG TWIN 1958-1964
A-24918-58	24918-58	each	BREATHER NIPPLE, BIG TWIN 1958-1964

**\*5120 HILDA ROAD\* BLACKVILLE, S.C. 29817\* 803-284-3304\***

**\*\*EASTERN MOTORCYCLE PARTS\*\***



**\*5120 HILDA ROAD\* BLACKVILLE, S.C. 29817\* 803-284-3304\***

# \*\*EASTERN MOTORCYCLE PARTS\*\*

## \*\*CRANKCASE\*\* **\*\*OVERHEAD VALVE\*\*** **\*\*GEAR SIDE\*\*** **\*\*BIG TWIN 1940-1957\*\***

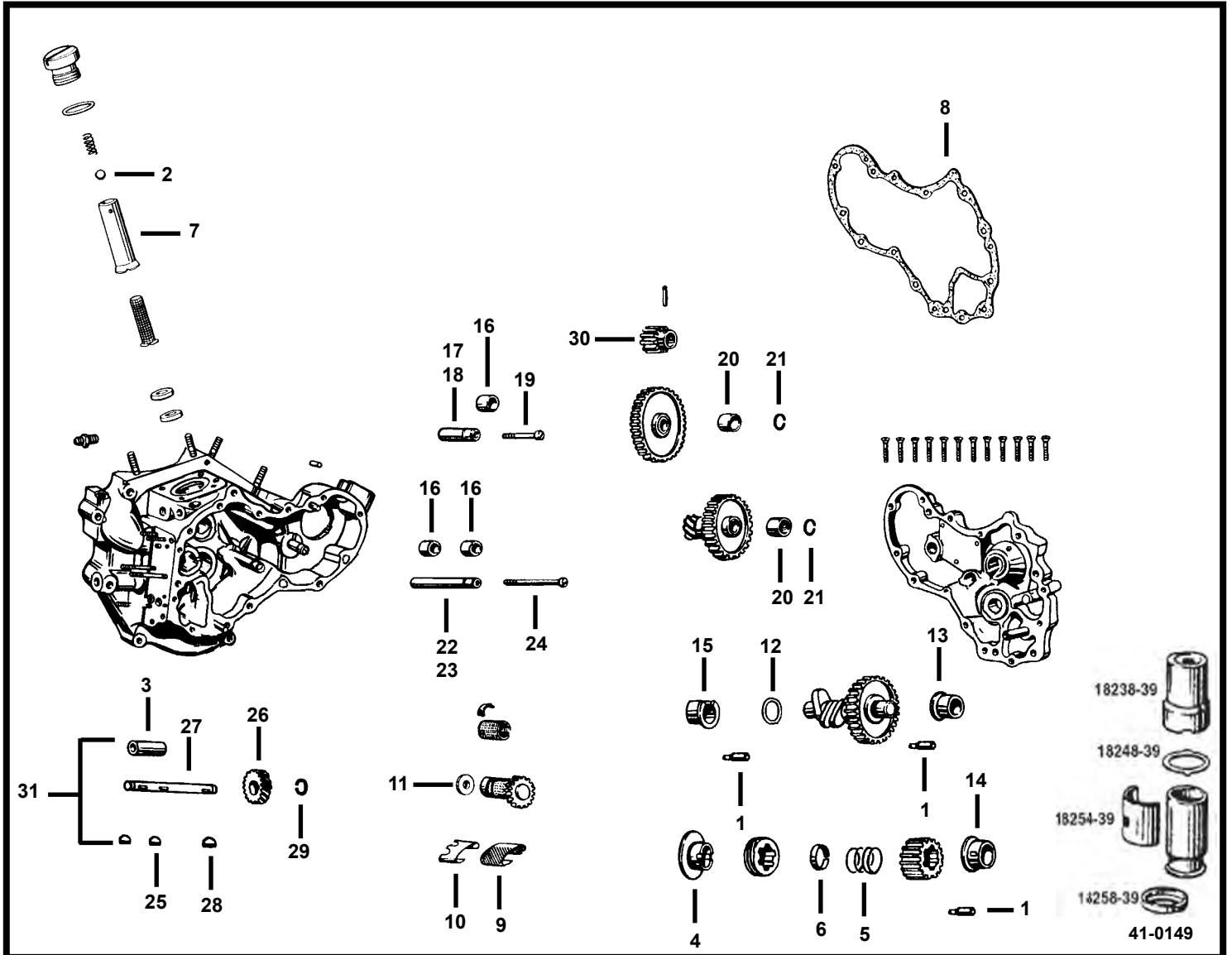


DIAGRAM NUMBER	EASTERN NUMBER	REPLACES OEM	DESCRIPTION
1	A-271	271	pk-25 ROLL PINS, CAM BUSHINGS
2	A-8856A	8856	pk-10 BALL BEARINGS **7/32" DIAMETER**
3	A-24641-36	24641-36	each BUSHING, OIL PUMP DRIVE SHAFT, BIG TWIN 1936-1999
4	A-24697-40	24697-40	each SEAL RING FOR PINION SHAFT, BIG TWIN 1948-1954
5	A-24699-37	24699-37	pk-10 SPRING, GEAR SHAFT SPACER, BIG TWIN 1935-1954
6	A-24703-40	24703-40	pk-5 SPACER, PINION SHAFT GEAR, BIG TWIN 1948-1954
7	A-24985-52	24985-52	pk-5 CHECK VALVE BODY, OIL SCREEN, BIG TWIN 1952-1962
8	L-3-837	25225-36	pk-10 GASKETS, CAM COVER, BIG TWIN 1936-1969
9	A-25275-36	25275-36	pk-5 BREATHER SCREEN, BIG TWIN 1936-1969
10	A-25279-36	25279-36	pk-5 SEPARATOR PLATE, BIG TWIN 1936-1969

\*5120 HILDA ROAD\* BLACKVILLE, S.C. 29817\* 803-284-3304\*

# \*\*EASTERN MOTORCYCLE PARTS\*\*

## \*\*CRANKCASE\*\*

### \*\*OVERHEAD VALVE\*\*

#### \*\*GEAR SIDE\*\*

#### \*\*BIG TWIN 1940-1957\*\*

<u>DIAGRAM NUMBER</u>	<u>EASTERN NUMBER</u>	<u>REPLACES OEM</u>	<u>DESCRIPTION</u>
11	A-25313-SET		set-4 WASHER, BREATHER VALVE, STEEL (SET-4) BIG TWIN 1950-E/1979 <b>SET INCLUDES: 1 OF EACH (.110, .115, .120, .125)</b>
	A-25313-50	25313-50	pk-5 WASHER, BREATHER VALVE, STEEL (.115) BIG TWIN 1950-E/1979
	A-25314-50	25314-50	pk-5 WASHER, BREATHER VALVE, STEEL (.120) BIG TWIN 1950-E/1979
	A-25315-50	25315-50	pk-5 WASHER, BREATHER VALVE, STEEL (.125) BIG TWIN 1950-E/1979
	A-25316-52	25316-52	pk-5 WASHER, BREATHER VALVE, STEEL (.110) BIG TWIN 1950-E/1979
12	A-25550-SET		set-10 WASHER, CAM GEAR (SET-10), BIG TWIN 1936-1999 <b>SET INCLUDES: (1ea) .050,.055,.060,.065,.070,.075,.080,.085,.090,.095</b>
	A-25550-36	25550-36	pk-5 THRUST WASHER, CAM GEAR (.050) BIG TWIN 1936-1999
	A-25550-90	25550-90	pk-5 THRUST WASHER, CAM GEAR (.040) BIG TWIN 1936-1999
	A-25551-36	25551-36	pk-5 THRUST WASHER, CAM GEAR (.055) BIG TWIN 1936-1999
	A-25552-36	25552-36	pk-5 THRUST WASHER, CAM GEAR (.060) BIG TWIN 1936-1999
	A-25553-36	25553-36	pk-5 THRUST WASHER, CAM GEAR (.065) BIG TWIN 1936-1999
	A-25554-36	25554-36	pk-5 THRUST WASHER, CAM GEAR (.070) BIG TWIN 1936-1999
	A-25555-36	25555-36	pk-5 THRUST WASHER, CAM GEAR (.075) BIG TWIN 1936-1999
	A-25555-84	25555-84	pk-5 THRUST WASHER, CAM GEAR (.045) BIG TWIN 1936-1999
	A-25556-79	25556-79	pk-5 THRUST WASHER, CAM GEAR (.080) BIG TWIN 1936-1999
	A-25557-79	25557-79	pk-5 THRUST WASHER, CAM GEAR (.085) BIG TWIN 1936-1999
	A-25558-79	25558-79	pk-5 THRUST WASHER, CAM GEAR (.090) BIG TWIN 1936-1999
	A-25559-79	25559-79	pk-5 THRUST WASHER, CAM GEAR (.095) BIG TWIN 1936-1999
	A-25559-80	25559-80	pk-5 THRUST WASHER, CAM GEAR (.100) BIG TWIN 1936-1999
13	A-25581-36	25581-36	each BUSHING, CAM GEAR (IN COVER), BIG TWIN 1936-1969
	A-25581-36+5	25581-36	each BUSHING, CAM GEAR (IN COVER), (.005 O/S) BIG TWIN 1936-1969
	A-25581-36+10	25581-36	each BUSHING, CAM GEAR (IN COVER), (.010 O/S) BIG TWIN 1936-1969
14	A-25582-36	25582-36	each BUSHING, PINION SHAFT, (IN COVER) BIG TWIN 1936-1954
	A-25582-36+5	25582-36	each BUSHING, PINION SHAFT, (IN COVER) (.005 O/S) BIG TWIN 1936-1954
	A-25582-36+10	25582-36	each BUSHING, PINION SHAFT, (IN COVER) (.010 O/S) BIG TWIN 1936-1954
15	A-25597-36	25597-36	each BUSHING, CAM GEAR, (IN CRANKCASE) BIG TWIN 1936-1957
	A-25597-36+5	25597-36	each BUSHING, CAM GEAR, (IN CRANKCASE) (.005 O/S) BIG TWIN 1936-57
16	A-25785-30A	25785-30A	pair BUSHING, IDLER & CIRCUIT STUDS, BIG TWIN 1936-1969
17	A-25791-36	25791-36	each STUD, IDLER GEAR (CRANKCASE), BIG TWIN 1936-1969
18	A-25791-77		kit STUD & BUSHING KIT, (IDLER GEAR) BIG TWIN 1936-1969
	A-25791-87		kit STUD, BUSHING & SCREW KIT, (IDLER GEAR) BIG TWIN 1936-1969
19	A-25794-36	25794-36	pk-5 SCREWS, IDLER GEAR STUD (RIGHT HAND), BIG TWIN 1936-1969
20	A-25800-36	25800-36	pair SPACERS, IDLER & CIRCUIT STUDS(1.125 O.D), BIG TWIN 1936-1969
	A-25800-36B	25800-36B	pair SPACERS, IDLER & CIRCUIT STUDS(.750 O.D), BIG TWIN 1936-1969
21	A-25810-15	25810-15	pk-10 RETAINING RING, IDLER GEAR STUD, BIG TWIN 1936-1969
22	A-25856-36	25856-36	each STUD, CIRCUIT BREAKER GEAR, BIG TWIN 1936-1969
23	A-25856-77		kit STUD & BUSHING KIT, CIRCUIT BREAKER GEAR, BIG TWIN 1936-1969
	A-25856-86		kit STUD, BUSHING & SCREW KIT, CIRCUIT BREAKER, BIG TWIN 1936-58
	A-25856-87		kit STUD, BUSHING & SCREW KIT, CIRCUIT BREAKER, BIG TWIN 1959-69
24	A-25859-36	25859-36	pk-5 SCREWS, CIRCUIT BREAKER STUD, BIG TWIN 1936-1958
25	A-26340-36	26340-36	pk-10 KEY, OIL PUMP DRIVE SHAFT, BIG TWIN 1936-1967
26	A-26345-39	26345-39	each GEAR, OIL PUMP DRIVE **25-TOOTH** BIG TWIN 41-1972
27	A-26346-36	26346-36	each OIL PUMP DRIVE SHAFT, BIG TWIN 1936-1967
28	A-26348-15	26348-15	pk-10 KEY, OIL PUMP DRIVE SHAFT, BIG TWIN 1936-1999
29	A-26348-36	26348-36	pk-10 RETAINING RING, OIL PUMP DRIVE SHAFT, BIG TWIN 1936-1999
30	A-31070-30	31070-30	each GEAR, GENERATOR DRIVE *14-TOOTH** BIG TWIN 1932-1957
31	17-0151		kit OIL PUMP KIT, WITH BUSHING, KEYS, RET. RING, BIG TWIN 1936-'67
	41-0149	18258-39	set-4 KIT INCLUDES: (1) 26346-36, (1) 26340-36, (2) 26348-15, (2) 26340-36, (1) 24641-36 RETAINERS, VALVE COVER, **ZINC PLATED** BIG TWIN 1939-1938

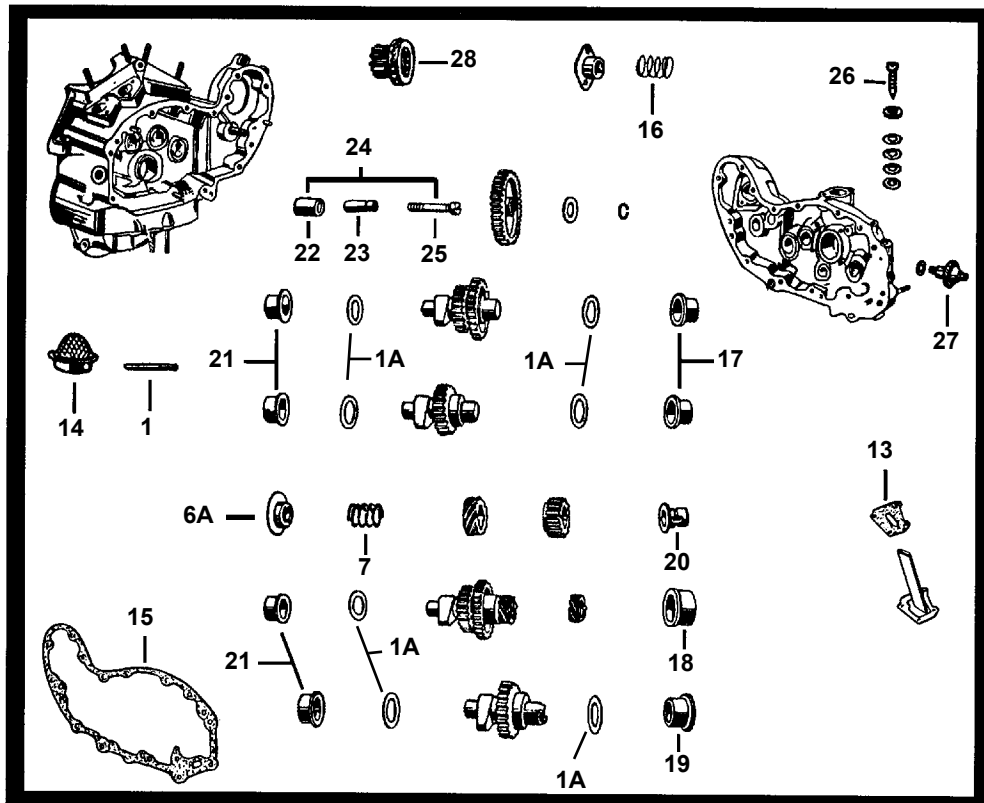
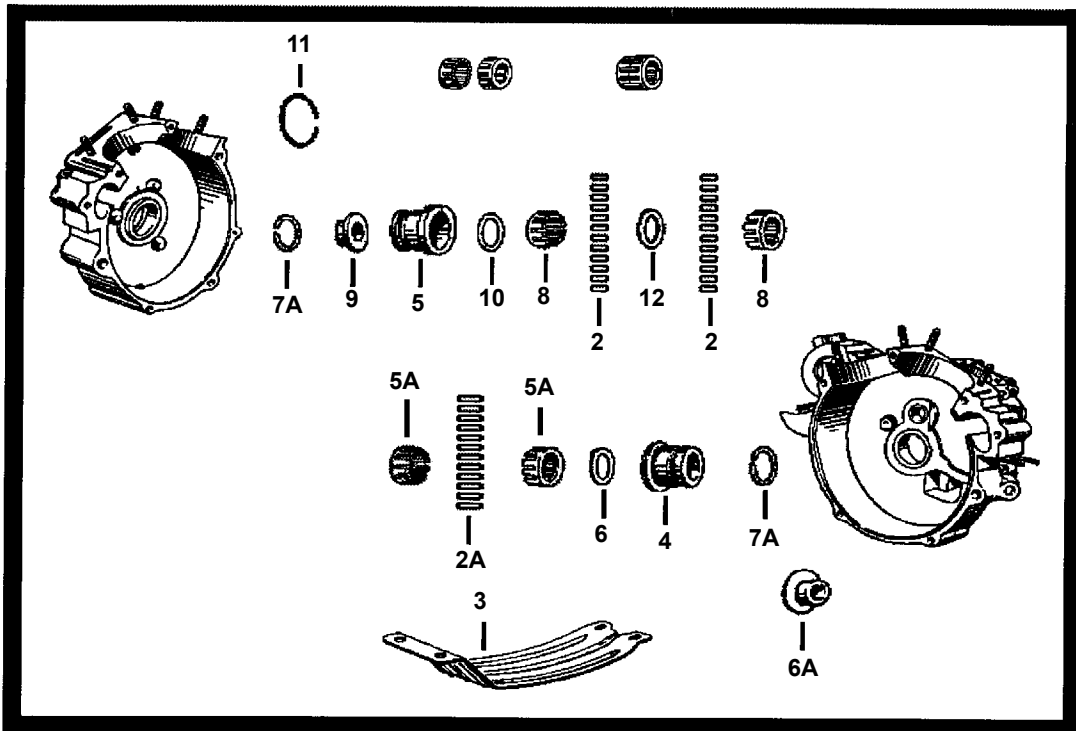


# \*\*EASTERN MOTORCYCLE PARTS\*\*

## \*\*CRANKCASE\*\*

### \*\*SIDE VALVE\*\*

### \*\*BIG TWIN 1937-1948\*\*



\*\*CONTINUED ON NEXT PAGE\*\*

\*5120 HILDA ROAD\* BLACKVILLE, S.C. 29817\* 803-284-3304\*

# \*\*EASTERN MOTORCYCLE PARTS\*\*

## \*\*CRANKCASE\*\*

### \*\*SIDE VALVE\*\*

#### \*\*BIG TWIN 1937-1948\*\*

<u>DIAGRAM NUMBER</u>	<u>EASTERN NUMBER</u>	<u>REPLACES OEM</u>	<u>DESCRIPTION</u>
1	A-333	333	pk-25 DOWEL PINS, OIL STRAINER, BIG TWIN 1937-1948
1A	A-6769	6769	pk-10 SHIMS, CAM GEARS #1-3-4, (.007) SPORTSTER 1952-1982
	A-6770	6770	pk-10 SHIMS, CAM GEARS #1-3-4, (.005) SPORTSTER 1952-1982
	A-6771	6771	pk-10 SHIMS, CAM GEARS #1-3-4, (.015) SPORTSTER 1952-1982
2	A-9220-24	9220	set-24 BEARINGS, CASE BUSHING **L/SIDE** (STD) BIG TWIN 1930-1957
	A-9221-24	9221	set-24 BEARINGS, CASE BUSHING **L/SIDE** (.0002) BIG TWIN 1930-1957
	A-9222-24	9222	set-24 BEARINGS, CASE BUSHING **L/SIDE** (.0004) BIG TWIN 1930-1957
	A-9223-24	9223	set-24 BEARINGS, CASE BUSHING **L/SIDE** (.0006) BIG TWIN 1930-1957
	A-9224-24	9224	set-24 BEARINGS, CASE BUSHING **L/SIDE** (.0008) BIG TWIN 1930-1957
	A-9225-24	9225	set-24 BEARINGS, CASE BUSHING **L/SIDE** (+.001) BIG TWIN 1930-1957
	A-9226-24	9226	set-24 BEARINGS, CASE BUSHING **L/SIDE** (+.002) BIG TWIN 1930-1957
2A	A-9261-12	9261	set-12 BEARINGS, CASE BUSHING **R/SIDE** (STD) BIG TWIN 1937-1954
	A-9262-12	9262	set-12 BEARINGS, CASE BUSHING **R/SIDE** (.0002) BIG TWIN 1937-1954
	A-9263-12	9263	set-12 BEARINGS, CASE BUSHING **R/SIDE** (.0004) BIG TWIN 1937-1954
	A-9264-12	9264	set-12 BEARINGS, CASE BUSHING **R/SIDE** (.0006) BIG TWIN 1937-1954
	A-9265-12	9265	set-12 BEARINGS, CASE BUSHING **R/SIDE** (.0008) BIG TWIN 1937-1954
	A-9266-12	9266	set-12 BEARINGS, CASE BUSHING **R/SIDE** (+.001) BIG TWIN 1937-1954
3	Y-21-960	24490-36	each CRANKCASE MOTOR GUARD <b>**CHROME**</b> BIG TWIN 1936-1984
4	A-24595-40	24595-40	each CASE BUSHING <b>**RIGHT SIDE**</b> (STD) BIG TWIN 1940-1948
	A-24596-40	24596-40	each CASE BUSHING <b>**RIGHT SIDE**</b> (.002) BIG TWIN 1940-1948
	A-24597-40	24597-40	each CASE BUSHING <b>**RIGHT SIDE**</b> (.005) BIG TWIN 1940-1948
	A-24598-40	24598-40	each CASE BUSHING <b>**RIGHT SIDE**</b> (.010) BIG TWIN 1940-1948
	A-24598-40B	24598-40B	each CASE BUSHING <b>**RIGHT SIDE**</b> (.015) BIG TWIN 1940-1948
5	A-24621-40	24621-40	each CASE BUSHING <b>**LEFT SIDE**</b> (STD) BIG TWIN 1940-1954
	A-24622-40	24622-40	each CASE BUSHING <b>**LEFT SIDE**</b> (.002) BIG TWIN 1940-1954
	A-24623-40	24623-40	each CASE BUSHING <b>**LEFT SIDE**</b> (.005) BIG TWIN 1940-1954
	A-24623-78	24623-78	each CASE BUSHING <b>**LEFT SIDE**</b> (.010) BIG TWIN 1940-1954
	A-24623-79	24623-79	each CASE BUSHING <b>**LEFT SIDE**</b> (.015) BIG TWIN 1940-1954
	A-24623-80	24623-80	each CASE BUSHING <b>**LEFT SIDE**</b> (.020) BIG TWIN 1940-1954
	A-24623-81	24623-81	each CASE BUSHING <b>**LEFT SIDE**</b> (.025) BIG TWIN 1940-1954
	A-24623-82	24623-82	each CASE BUSHING <b>**LEFT SIDE**</b> (.030) BIG TWIN 1940-1954
	A-24623-83	24623-83	each CASE BUSHING <b>**LEFT SIDE**</b> (.035) BIG TWIN 1940-1954
	A-24623-84	24623-84	each CASE BUSHING <b>**LEFT SIDE**</b> (.040) BIG TWIN 1940-1954
5A	A-24646-36	24646-36	pair ROLLER RETAINER, <b>**PINION SHAFT**</b> BIG TWIN 1936-1954
6	A-24690-40	24690-40	pk-5 WASHERS, CASE BUSHING <b>**RIGHT SIDE**</b> BIG TWIN 1940-1954
6A	A-24696-40	24696-40	each SEAL RING HAT, FOR PINION SHAFT, BIG TWIN 1940-1948
7	A-24700-37	24700-37	pk-10 SPRING, GEAR SHAFT SEAL RING, BIG TWIN 1937-1948
7A	A-24702-40	24702-40	pk-10 RETAINING RING, CASE BUSHING, BIG TWIN 1940-1954
8	A-24721-30	24721-30	each ROLLER RETAINER, <b>**LEFT SIDE**</b> BIG TWIN 1930-1954
9	A-24776-40	24776-40	each OIL SLINGER, <b>**OEM STYLE**</b> BIG TWIN 1940-1954
10	A-24779-40	24779-40	pk-5 WASHERS, CASE BUSHING <b>**LEFT SIDE**</b> BIG TWIN 1940-1954
11	A-24779-55	24779-55	pk-10 RETAINING RINGS, LEFT BEARING, BIG TWIN 1955-1968
12	A-24781-36	24781-36	pk-5 SPACER, CASE BUSHING <b>**LEFT SIDE**</b> BIG TWIN 1937-1954
13	L-3-723	24921-37	pk-10 GASKET, CRANKCASE RELIEF PIPE, BIG TWIN 1937-1948
14	A-24975-37	24975-37	each OIL STRAINER ( <b>ONLY</b> ), LOWER CRANKCASE, BIG TWIN 1937-1948
	A-24975-KIT	24975-KIT	kit OIL STRAINER ( <b>WITH GASKET &amp; PIN</b> ), BIG TWIN 1937-1948
15	48-0201	25227-37	pk-10 GASKET, CAM GEAR COVER, <b>**JAMES**</b> BIG TWIN 1937-1948
	L-3-705	25227-37	pk-10 GASKET, CAM GEAR COVER, BIG TWIN 1937-1948
16	A-25287-37	25287-37	pk-10 SPRING, SEAL RING, BIG TWIN 1937-1948

\*\*CONTINUED ON NEXT PAGE\*\*

# **\*\*EASTERN MOTORCYCLE PARTS\*\***

## **\*\*CRANKCASE\*\***

### **\*\*SIDE VALVE\*\***

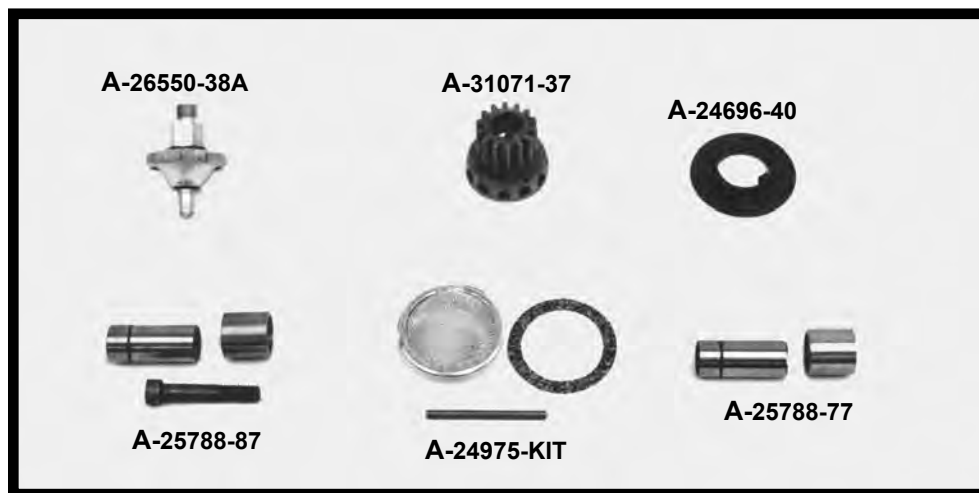
### **\*\*BIG TWIN 1937-1948\*\***

<u>DIAGRAM NUMBER</u>	<u>EASTERN NUMBER</u>	<u>REPLACES OEM</u>	<u>DESCRIPTION</u>
17	A-25586-37	25586-37	each BUSHING, CAM GEAR COVER (1-3-4) BIG TWIN 1937-1973
	A-25586-37+5	25586-37	each BUSHING, CAM GEAR COVER (1-3-4) <b>(.005 O/S)</b> BIG TWIN 1937-1973
	A-25586-37+10	25586-37	each BUSHING, CAM GEAR COVER (1-3-4) <b>(.010 O/S)</b> BIG TWIN 1937-1973
18	A-25588-37	25588-37	each BUSHING, CAM GEAR COVER (#-2) BIG TWIN 1937-1948
19	A-25590-37	25590-37	each BUSHING, CAM GEAR COVER, BIG TWIN 1937-1948
20	A-25591-37	25591-37	each BUSHING, PINION GEAR SHAFT, BIG TWIN 1937-1948
21	A-25599-37	25599-37	each BUSHING, CAM GEAR, BIG TWIN 1937-1948
	A-25599-37+5	25599-37	each BUSHING, CAM GEAR, <b>(.005 OVERSIZE)</b> FLATHEAD 1937-1948
	A-25599-37+10	25599-37	each BUSHING, CAM GEAR, <b>(.010 OVERSIZE)</b> FLATHEAD 1937-1948
22	A-25785-30A	25785-30A	pair BUSHINGS, IDLER GEAR, BIG TWIN 1937-1948
23	A-25788-30	25788-30	each STUD, IDLER GEAR, BIG TWIN 1932-1948
24	A-25788-77		kit KIT, IDLER GEAR STUD & BUSHING ONLY, BIG TWIN 1937-1948
	A-25788-87		kit KIT, IDLER GEAR STUD, BUSHING & SCREW BIG TWIN 1937-1948
25	A-25794-30	25794-30	pk-5 SCREWS, IDLER GEAR STUD, BIG TWIN 1932-1948
26	A-26383-32	26383-32	pk-5 ADJUSTING SCREW, BIG TWIN 1933-1983
27	A-26550-38A	26550-38A	each OIL PRESSURE SWITCH, BIG TWIN 1938-1948
28	A-31071-37	31071-37	each GENERATOR DRIVE GEAR, (WITH SLINGER) BIG TWIN 1937-1948

## **\*\*CRANKCASE\*\***

### **\*\*SIDE VALVE PARTS\*\***

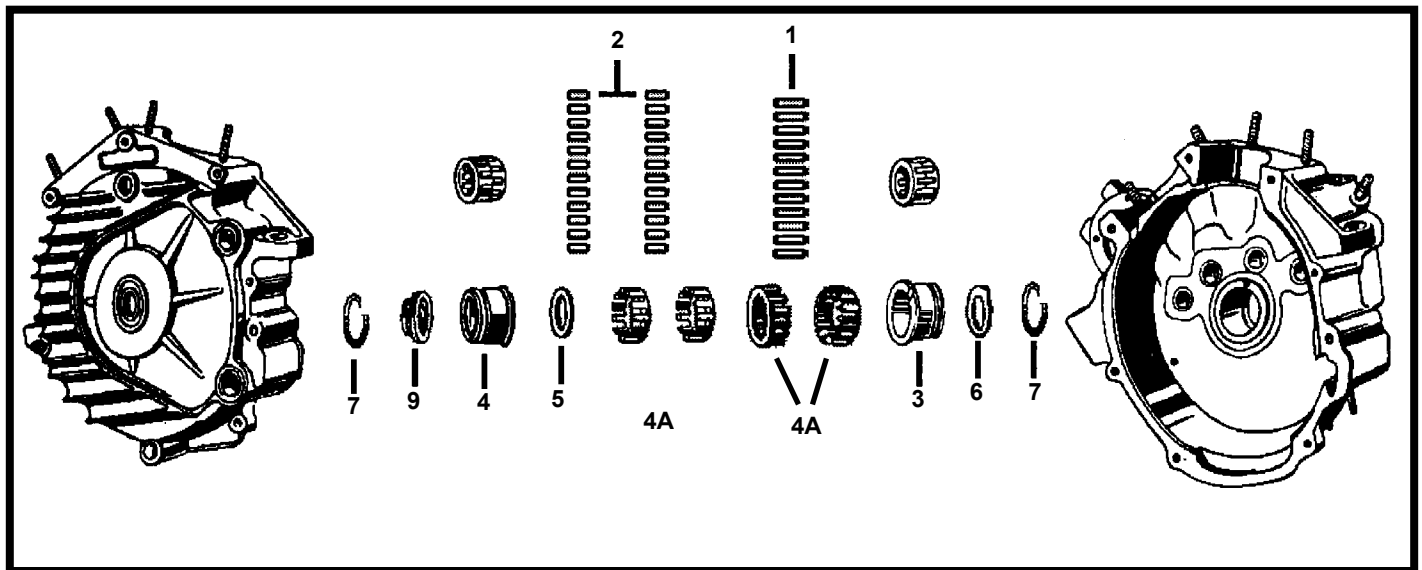
### **\*\*BIG TWIN 1937-1948\*\***



# \*\*EASTERN MOTORCYCLE PARTS\*\*

## \*\*CRANKCASE\*\*

\*\*FORTY-FIVE 1937-1973\*\*



<u>DIAGRAM NUMBER</u>	<u>EASTERN NUMBER</u>	<u>REPLACES OEM</u>	<u>DESCRIPTION</u>
1	A-9241-12	9241	set-12 BEARINGS, CASE BUSHING **R/SIDE** (STD) FORTY-FIVE 1939-1973
	A-9242-12	9242	set-12 BEARINGS, CASE BUSHING **R/SIDE** (.0002) FORTY-FIVE 1939-1973
	A-9243-12	9243	set-12 BEARINGS, CASE BUSHING **R/SIDE** (.0004) FORTY-FIVE 1939-1973
	A-9244-12	9244	set-12 BEARINGS, CASE BUSHING **R/SIDE** (.0006) FORTY-FIVE 1939-1973
	A-9245-12	9245	set-12 BEARINGS, CASE BUSHING **R/SIDE** (.0008) FORTY-FIVE 1939-1973
	A-9246-12	9246	set-12 BEARINGS, CASE BUSHING **R/SIDE** (+.001) FORTY-FIVE 1939-1973
2	A-9321-24	9321	set-24 BEARINGS, CASE BUSHING **L/SIDE** (STD) FORTY-FIVE 1929-1973
	A-9322-24	9322	set-24 BEARINGS, CASE BUSHING **L/SIDE** (.0002) FORTY-FIVE 1929-1973
	A-9323-24	9323	set-24 BEARINGS, CASE BUSHING **L/SIDE** (.0004) FORTY-FIVE 1929-1973
	A-9324-24	9324	set-24 BEARINGS, CASE BUSHING **L/SIDE** (.0006) FORTY-FIVE 1929-1973
	A-9325-24	9325	set-24 BEARINGS, CASE BUSHING **L/SIDE** (.0008) FORTY-FIVE 1929-1973
	A-9326-24	9326	set-24 BEARINGS, CASE BUSHING **L/SIDE** (+.001) FORTY-FIVE 1929-1973
3	A-24585-39	24585-39	each CASE BUSHING **RIGHT SIDE** (STD) FORTY-FIVE 1939-1973
	A-24586-39	24586-39	each CASE BUSHING **RIGHT SIDE** (.002) FORTY-FIVE 1939-1973
	A-24587-39	24587-39	each CASE BUSHING **RIGHT SIDE** (.005) FORTY-FIVE 1939-1973
	A-24588-39	24588-39	each CASE BUSHING **RIGHT SIDE** (.010) FORTY-FIVE 1939-1973
4	A-24610-39	24610-39	each CASE BUSHING **LEFT SIDE** (STD) FORTY-FIVE 1939-1973
	A-24611-39	24611-39	each CASE BUSHING **LEFT SIDE** (.002) FORTY-FIVE 1939-1973
	A-24612-39	24612-39	each CASE BUSHING **LEFT SIDE** (.005) FORTY-FIVE 1939-1973
	A-24613-39	24613-39	each CASE BUSHING **LEFT SIDE** (.010) FORTY-FIVE 1939-1973
4A	A-24645-37	24645-37	pair ROLLER RETAINER, **PINION SHAFT** FORTY-FIVE 1929-1973
5	A-24691-39	24691-39	pk-5 WASHER, LEFT SIDE CASE BUSHING, FORTY-FIVE 1939-1973
6	A-24692-39	24692-39	pk-5 WASHER, RIGHT SIDE CASE BUSHING, FORTY-FIVE 1939-1973
7	A-24701-39	24701-39	pk-10 RETAINING RING, CASE BUSHING, FORTY-FIVE 1939-1973
8	A-24720-29	24720-29	pair ROLLER RETAINER, **SPROCKET SHAFT** FORTY-FIVE 1929-1973
9	A-24775-39	24775-39	each OIL SLINGER, LEFT BEARING END, FORTY-FIVE 1939-1973



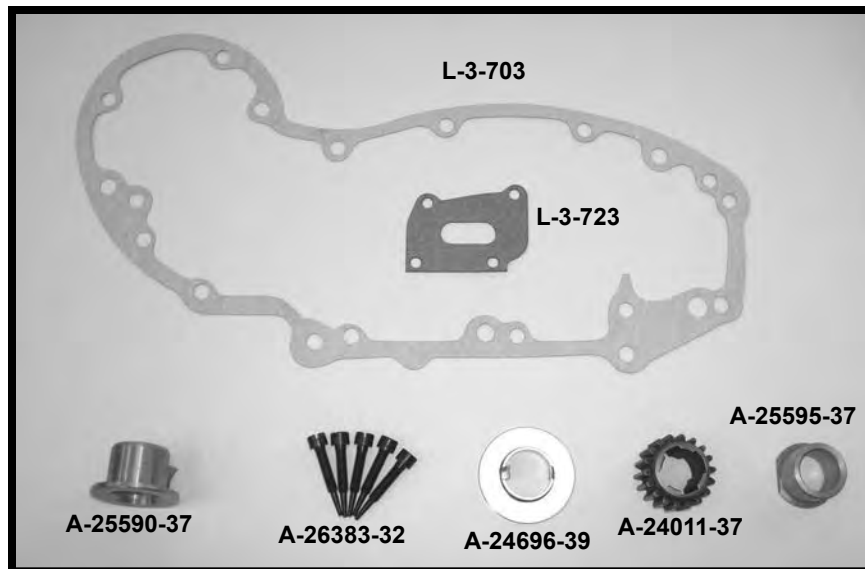
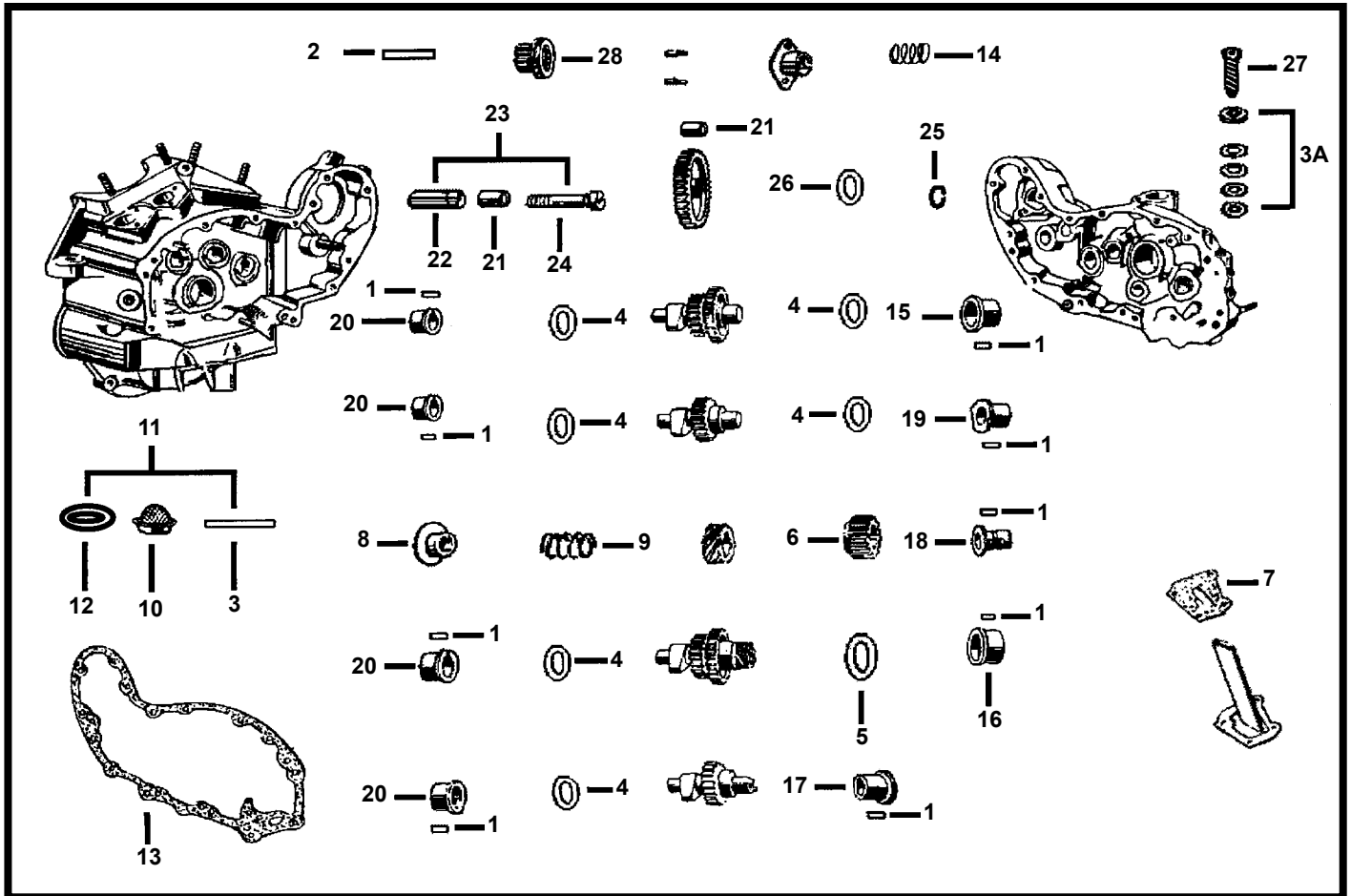
A-24645-37  
A-24720-29

# \*\*EASTERN MOTORCYCLE PARTS\*\*

## \*\*CRANKCASE\*\*

### \*\*GEAR SIDE\*\*

### \*\*FORTY-FIVE 1937-1973\*\*



**\*\*CONTINUED ON NEXT PAGE\*\***

**\*5120 HILDA ROAD\* BLACKVILLE, S.C. 29817\* 803-284-3304\***

**\*Pg 61\***

# **\*\*EASTERN MOTORCYCLE PARTS\*\***

## **\*\*CRANKCASE\*\***

### **\*\*GEAR SIDE\*\***

#### **\*\*FORTY-FIVE 1937-1973\*\***

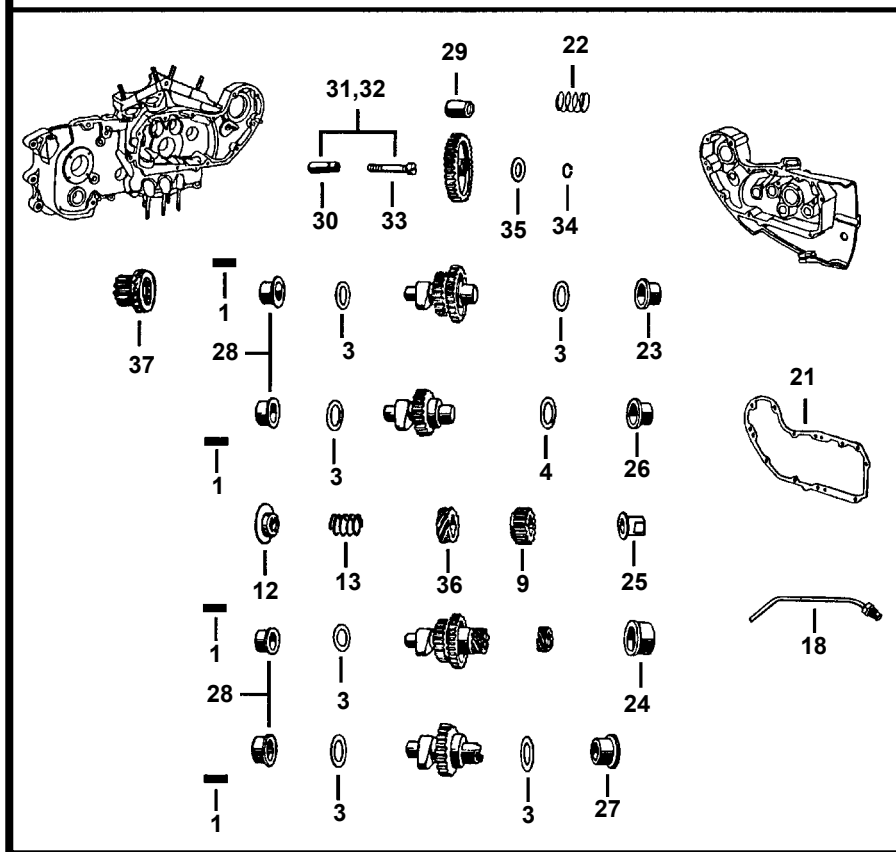
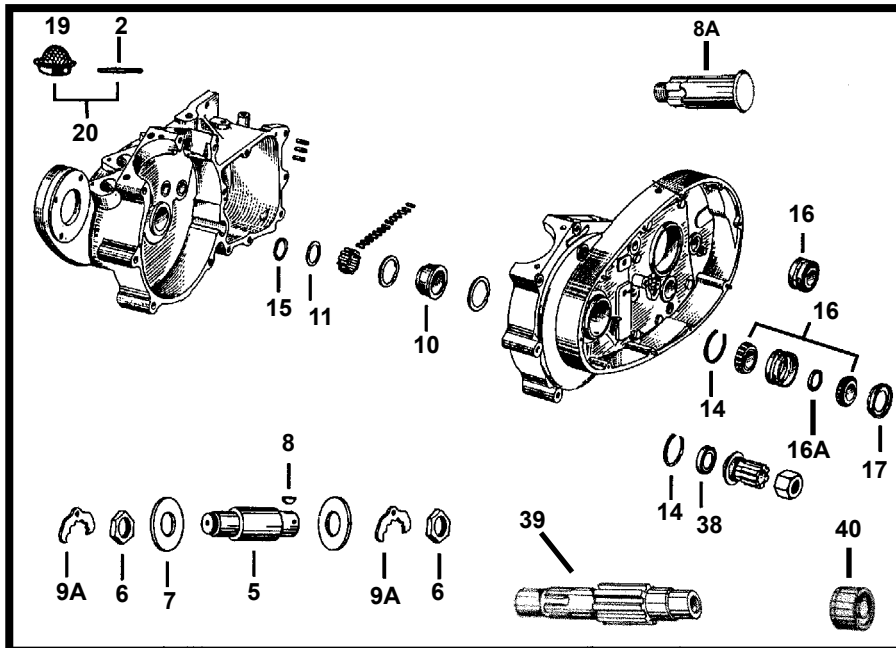
<u>DIAGRAM NUMBER</u>	<u>EASTERN NUMBER</u>	<u>REPLACES OEM</u>	<u>DESCRIPTION</u>
1	A-271	271	pk-25 ROLL PINS, CAM BUSHINGS, FORTY-FIVE 1937-1973
2	A-327	327	pk-25 DOWEL PINS, GENERATOR GEAR, BIG TWIN 1932-1957
3	A-333	333	pk-25 DOWEL PINS, CRANKCASE OIL STRAINER, FORTY-FIVE 1937-1973
3A	A-6150W	6150W	pk-25 WASHER, (STEEL) **#-10 X 3/8 X 1/16** BIG TWIN-SPORTSTER
	A-6182W	6182W	pk-25 WASHER, (STEEL) **3/16 X 7/16 X 1/32** BIG TWIN-SPORTSTER
4	A-6769	6769	pk-10 SHIMS, CAM GEARS, (1,3 & 4) **.007 THICK** FORTY-FIVE 1932-1973
	A-6770	6770	pk-10 SHIMS, CAM GEARS, (1,3 & 4) **.005 THICK** FORTY-FIVE 1932-1973
	A-6771	6771	pk-10 SHIMS, CAM GEARS, (1,3 & 4) **.015 THICK** FORTY-FIVE 1932-1973
5	A-6773		pk-10 SHIMS, CAM GEARS, (#2CAM) **.005 THICK** FORTY-FIVE 1932-1973
	A-6775		pk-10 SHIMS, CAM GEARS, (#2CAM) **.010 THICK** FORTY-FIVE 1932-1973
	A-6778		pk-10 SHIMS, CAM GEARS, (#2CAM) **.015 THICK** FORTY-FIVE 1932-1973
6	A-24011-37	24011-37	each PINION GEAR, FORTY-FIVE 1937-1973
7	L-3-723	24921-37	pk-10 GASKETS, CRANKCASE RELIEF PIPE, FORTY-FIVE 1937-1973
8	A-24696-39	24696-39	each SEAL RING, FOR PINION SHAFT, FORTY-FIVE 1939-1973
9	A-24699-37	24699-37	pk-10 SPRINGS, GEAR SHAFT SPACER, FORTY-FIVE 1937-1973
10	A-24975-37	24975-37	each OIL STRAINER, LOWER CRANKCASE, FORTY-FIVE 1937-1973
11	A-24975-KIT		kit OIL STRAINER WITH GASKET AND DOWEL PIN, FORTY-FIVE 1937-'73 <b>KIT INCLUDES: (1) 333, (1) 3-827, (1) 24975-37</b>
12	L-3-827	24978-57	pk-10 GASKETS, CRANKCASE OIL STRAINER, FORTY-FIVE 1937-1973
13	L-3-703	25226-37	pk-10 GASKETS, CAM GEAR COVER, FORTY-FIVE 1937-1973
14	A-25287-37	25287-37	pk-10 SPRINGS, SEAL RING, FORTY-FIVE 1937-1973
15	A-25586-37	25586-37	each BUSHING, CAM GEAR COVER (1-3-4) FORTY-FIVE 1937-1973
	A-25586-37+5	25586-37	each BUSHING, CAM GEAR COVER (1-3-4) (.005 O/S) FORTY-FIVE 1937-'73
	A-25586-37+10	25586-37	each BUSHING, CAM GEAR COVER (1-3-4) (.010 O/S) FORTY-FIVE 1937-'73
16	A-25588-37	25588-37	each BUSHING, CAM GEAR (#2 CAM) FORTY-FIVE 1937-1973
17	A-25590-37	25590-37	each BUSHING, CAM GEAR, OIL PUMP DRIVE, FORTY-FIVE 1937-1973
18	A-25593-37	25593-37	each BUSHING, PINION GEAR SHAFT, FORTY-FIVE 1937-1973
19	A-25595-37	25595-37	each BUSHING, CAM GEAR (#3 CAM) FORTY-FIVE 1937-1973
20	A-25601-37A	25601-37A	each BUSHING, CAM GEAR, FORTY-FIVE 1937-1973
	A-25601-37A+5	25601-37A	each BUSHING, CAM GEAR, (.005 OVERSIZE) FORTY-FIVE 1937-1973
	A-25601-37+10	25601-37A	each BUSHING, CAM GEAR, (.010 OVERSIZE) FORTY-FIVE 1937-1973
21	A-25785-30A	25785-30A	pair BUSHINGS, IDLER GEAR, FORTY-FIVE 1937-1973
22	A-25788-30	25788-30	each IDLER GEAR STUD, FORTY-FIVE 1937-1973
23	A-25788-77		kit IDLER GEAR STUD WITH BUSHING, FORTY-FIVE 1937-1973
	A-25788-87		kit IDLER GEAR STUD WITH BUSHING & SCREW, FORTY-FIVE 1937-1973
24	A-25794-30	25794-30	pk-5 SCREWS, IDLER GEAR STUD, FORTY-FIVE 1937-1973
25	A-25810-15	25810-15	pk-10 RETAINING RING, IDLER GEAR STUD, FORTY-FIVE 1937-1973
26	A-25811-11	25811-11	pk-10 WASHER (FIBER) IDLER GEAR STUD, FORTY-FIVE 1937-1973
27	A-26383-32	26383-32	pk-5 ADJUSTING SCREW, OIL PUMP BODY, FORTY-FIVE 1937-1973
28	A-31071-37	31071-37	each GENERATOR DRIVE GEAR WITH SLINGER, FORTY-FIVE 1937-1973
	41-0149	18259-39 set-4	RETAINERS, VALVE COVER, **ZINC PLATED** BIG TWIN 1939-1938

# \*\*EASTERN MOTORCYCLE PARTS\*\*

## \*\*CRANKCASE\*\*

### \*\*K-KH MODEL\*\*

### \*\*SPORTSTER 1952-1956\*\*



\*\*CONTINUED ON NEXT PAGE\*\*

\*5120 HILDA ROAD\* BLACKVILLE, S.C. 29817\* 803-284-3304\*

# **\*\*EASTERN MOTORCYCLE PARTS\*\***

## **\*\*CRANKCASE\*\***

### **\*\*K-KH MODELS\*\***

#### **\*\*SPORTSTER 1952-1956\*\***

<u>DIAGRAM NUMBER</u>	<u>EASTERN NUMBER</u>	<u>REPLACES OEM</u>	<u>DESCRIPTION</u>
1	A-271	271	pk-25 DOWEL PINS, CAM BUSHINGS, SPORTSTER 1952-1956
2	A-333	333	pk-25 DOWEL PINS, OIL STRAINER, SPORTSTER 1952-1956
3	A-6769	6769	pk-10 SHIMS, CAM GEARS #1-3-4, (.007) SPORTSTER 1952-1982
	A-6770	6770	pk-10 SHIMS, CAM GEARS #1-3-4, (.005) SPORTSTER 1952-1982
	A-6771	6771	pk-10 SHIMS, CAM GEARS #1-3-4, (.015) SPORTSTER 1952-1982
4	A-6773		pk-10 SHIMS, CAM GEAR #2, (.005) SPORTSTER 1952-PRESENT
	A-6775		pk-10 SHIMS, CAM GEAR #2, (.010) SPORTSTER 1952-PRESENT
	A-6778		pk-10 SHIMS, CAM GEAR #2, (.015) SPORTSTER 1952-PRESENT
5	A-23960-52	23960-52	each CRANK PIN, **3-OIL HOLES** (K-MODEL) SPORTSTER 1952-1953
6	A-23967-48	23967-48	each NUT, CRANK PIN, SPORTSTER 1952-1956
8	A-23985-18	23985-18	pk-10 KEY, CRANK PIN, SPORTSTER 1952-1981
8A	A-24000-52	24000-52	each SPROCKET SHAFT **K-MODEL** SPORTSTER 1952-1953 <b>**EASTERNS**</b>
	A-24000-54	24000-54	each SPROCKET SHAFT **KH-MODEL** SPORTSTER 1954-1956 <b>*EASTERNS*</b>
	A-24005-52	24005-52	each PINION SHAFT **K-MODEL** SPORTSTER 1952-1953 <b>**EASTERNS**</b>
	A-24005-54	24005-54	each PINION SHAFT **KH-MODEL** SPORTSTER 1954-1956 <b>**EASTERNS**</b>
9	A-24011-37	24011-37	each GEAR, PINION SHAFT, SPORTSTER 1952-1976
9A	A-24015-36	24015-36	pk-10 LOCK PLATES, CRANK PIN, SPORTSTER 1952-1956
10	A-24585-52	24585-52	each CASE BUSHING, (K-MODEL) <b>**RIGHT SIDE** (STD)</b> SPORT. 1952-1953
	A-24585-53A		each CASE BUSHING, (K-MODEL) <b>**RIGHT SIDE** (.002)</b> SPORT. 1952-1953
	A-24585-54A		each CASE BUSHING, (K-MODEL) <b>**RIGHT SIDE** (.005)</b> SPORT. 1952-1953
	A-24585-55A		each CASE BUSHING, (K-MODEL) <b>**RIGHT SIDE** (.010)</b> SPORT. 1952-1953
11	A-24692-54	24692-54	pk-5 WASHER, GEAR SHAFT, RIGHT SIDE, SPORTSTER 1954-1976
12	A-24696-39	24696-39	each SEAL RING, ON PINION SHAFT, SPORTSTER 1952-1956
13	A-24699-37	24699-37	pk-10 SPRINGS, GEAR SHAFT SPACER, SPORTSTER 1952-1956
14	A-24701-52	24701-52	pk-10 RETAINING RING, SPROCKET SHAFT, SPORTSTER 1952-1956
15	A-24701-54	24701-54	pk-10 RETAINING RING, GEAR SHAFT, SPORTSTER 1952-1956
16	45-0215	24729-52	each BEARING, SPROCKET SHAFT, <b>**IMPORT**</b> SPORTSTER 1952-1956
16A	45-0150		pk-5 SPACER, <b>**FOR BEARING 24729-52** (.195 THICK)</b> SPORT. 1952-1956
	45-0155		pk-5 SPACER, <b>**FOR BEARING 24729-52** (.197 THICK)</b> SPORT. 1952-1956
	45-0160		pk-5 SPACER, <b>**FOR BEARING 24729-52** (.199 THICK)</b> SPORT. 1952-1956
	45-0165		pk-5 SPACER, <b>**FOR BEARING 24729-52** (.201 THICK)</b> SPORT. 1952-1956
	45-0170		pk-5 SPACER, <b>**FOR BEARING 24729-52** (.203 THICK)</b> SPORT. 1952-1956
	45-0175		pk-5 SPACER, <b>**FOR BEARING 24729-52** (.205 THICK)</b> SPORT. 1952-1956
	45-0180		pk-5 SPACER, <b>**FOR BEARING 24729-52** (.207 THICK)</b> SPORT. 1952-1956
	45-0185		pk-5 SPACER, <b>**FOR BEARING 24729-52** (.209 THICK)</b> SPORT. 1952-1956
17	A-24781-54	24781-54	each BEARING SPACER, SPROCKET SHAFT, SPORTSTER 1952-1956
18	O-6-001	24912-52	each BREATHER PIPE, CAM COVER <b>**CHROME**</b> SPORTSTER 1952-1956
19	A-24975-37	24975-37	each OIL STRAINER ( <b>ONLY</b> ) LOWER CRANKCASE, SPORTSTER 1952-1956
20	A-24975-KIT		OIL STRAINER ( <b>WITH GASKET &amp; PIN</b> ), SPORTSTER 1952-1956
21	L-3-835	25224-52A	pk-10 GASKET, CAM GEAR COVER, SPORTSTER 1952-1956
22	A-25287-37	25287-37	pk-10 SPRING, SEAL RING, SPORTSTER 1952-1956
23	A-25586-37	25586-37	each BUSHING, CAM GEAR COVER (1-3-4) SPORTSTER 1952-1956
	A-25586-37+5	25586-37	each BUSHING, CAM GEAR COVER (1-3-4) (.005 O/S) SPORTSTER 1952-1956
	A-25586-37+10	25586-37	each BUSHING, CAM GEAR COVER (1-3-4) (.010 O/S) SPORTSTER 1952-1956

**\*\*CONTINUED NEXT PAGE\*\***

**\*5120 HILDA ROAD\* BLACKVILLE, S.C. 29817\* 803-284-3304\***

**\*Pg 64\***



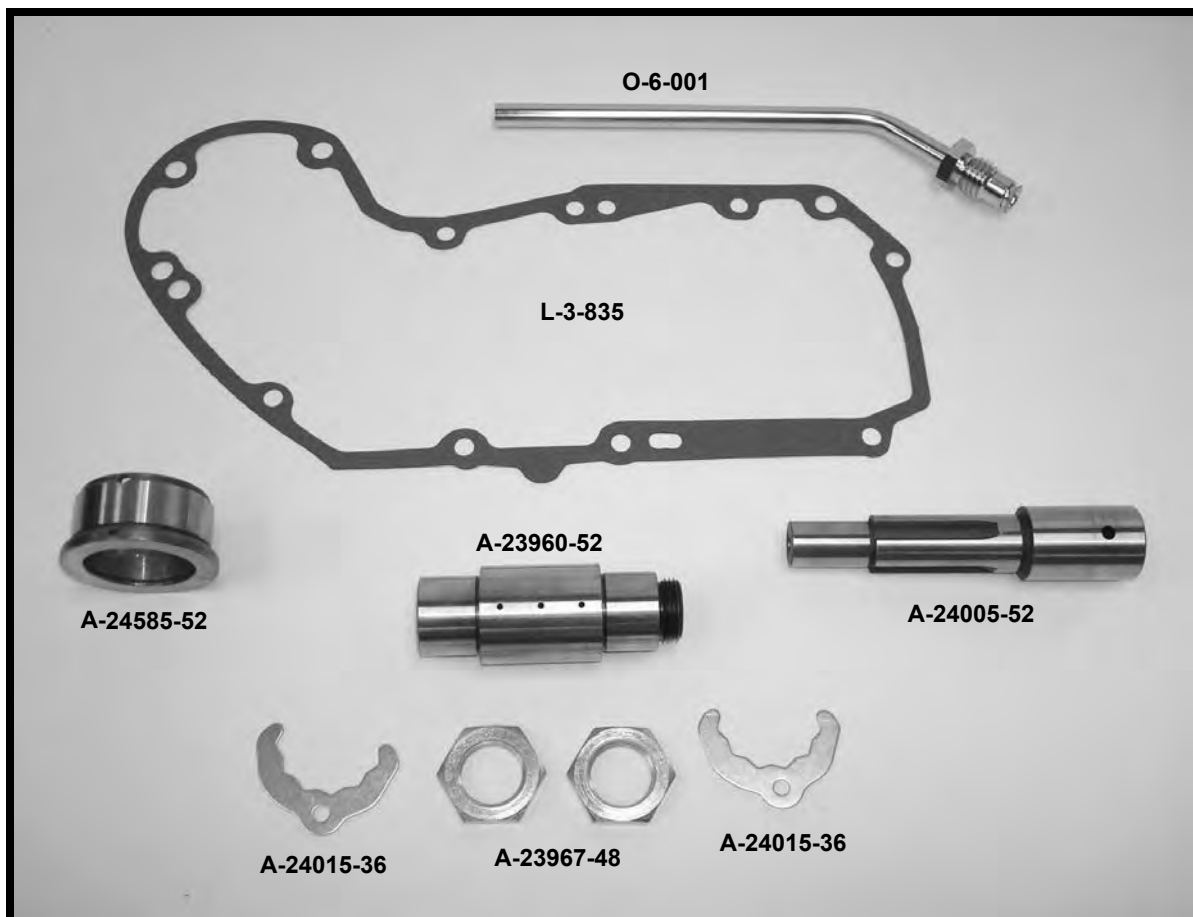
# **\*\*EASTERN MOTORCYCLE PARTS\*\***

## **\*\*CRANKCASE\*\***

### **\*\*K-MODEL\*\***

#### **\*\*SPORTSTER 1952-1956\*\***

<b>DIAGRAM NUMBER</b>	<b>EASTERN NUMBER</b>	<b>REPLACES OEM</b>		<b>DESCRIPTION</b>
24	A-25588-37	25588-37	each	BUSHING, CAM GEAR COVER ( <b>#-2 CAM</b> ) SPORTSTER 1952-1956
25	A-25593-52	25593-52	each	BUSHING, PINION GEAR SHAFT, SPORTSTER 1952-1956
26	A-25595-37	25595-37	each	BUSHING, CAM GEAR COVER, ( <b>#-3 CAM</b> ) SPORTSTER 1952-1956
27	A-25595-52	25595-52	each	BUSHING, CAM GEAR COVER, ( <b>#-1 CAM</b> ) SPORTSTER 1952-1956
	A-25595-52+5	25595-52	each	BUSHING, CAM GEAR COVER, ( <b>.005 OVERSIZE</b> ) SPORTSTER 1952-1956
	A-25595-52+10	25595-52	each	BUSHING, CAM GEAR COVER, ( <b>.010 OVERSIZE</b> ) SPORTSTER 1952-1956
28	A-25601-37A	25601-37A	each	BUSHING, CAM GEAR CRANKCASE, SPORTSTER 1952-1956
	A-25601-37A+5	25601-37A	each	BUSHING, CAM GEAR, ( <b>.005 OVERSIZE</b> ) SPORTSTER 1952-1956
	A-25601-37+10	25601-37A	each	BUSHING, CAM GEAR, ( <b>.010 OVERSIZE</b> ) SPORTSTER 1952-1956
29	A-25785-30A	25785-30A	pair	BUSHINGS, IDLER GEAR, SPORTSTER 1952-1956
30	A-25788-30	25788-30	each	STUD, IDLER GEAR, SPORTSTER 1952-1956
31	A-25788-77		kit	KIT, IDLER GEAR STUD & BUSHING, SPORTSTER 1952-1953
32	A-25788-87		kit	KIT, IDLER STUD, BUSHING & SCREW SPORTSTER 1952-1953
33	A-25794-30	25794-30	pk-5	SCREWS, IDLER GEAR STUD, SPORTSTER 1952-1953
34	A-25810-15	25810-15	pk-10	RETAINING RING, IDLER GEAR, SPORTSTER 1952-1956
35	A-25811-11	25811-11	pk-10	WASHER, IDLER GEAR, (FIBER) SPORTSTER 1952-1956
36	V-13-171	26318-37	each	GEAR, OIL PUMP DRIVE, SPORTSTER 1952-1956
37	A-31071-37	31071-37	each	GENERATOR DRIVE GEAR, (WITH SLINGER) SPORTSTER 1952-1956
38	A-35151-52A	35151-52A	pk-10	OIL SEALS, SPROCKET SHAFT, SPORTSTER 1952-1956
39	A-35613-52	35613-52	each	COUNTERSHAFT, <b>**K-MODEL**</b> SPORTSTER 1952-1953
40	A-35960-52	35960-52	each	BEARING, COUNTERSHAFT, <b>**K-MODEL**</b> SPORTSTER 1952-1953



**\*5120 HILDA ROAD\* BLACKVILLE, S.C. 29817\* 803-284-3304\***

**\*\*EASTERN MOTORCYCLE PARTS\*\***

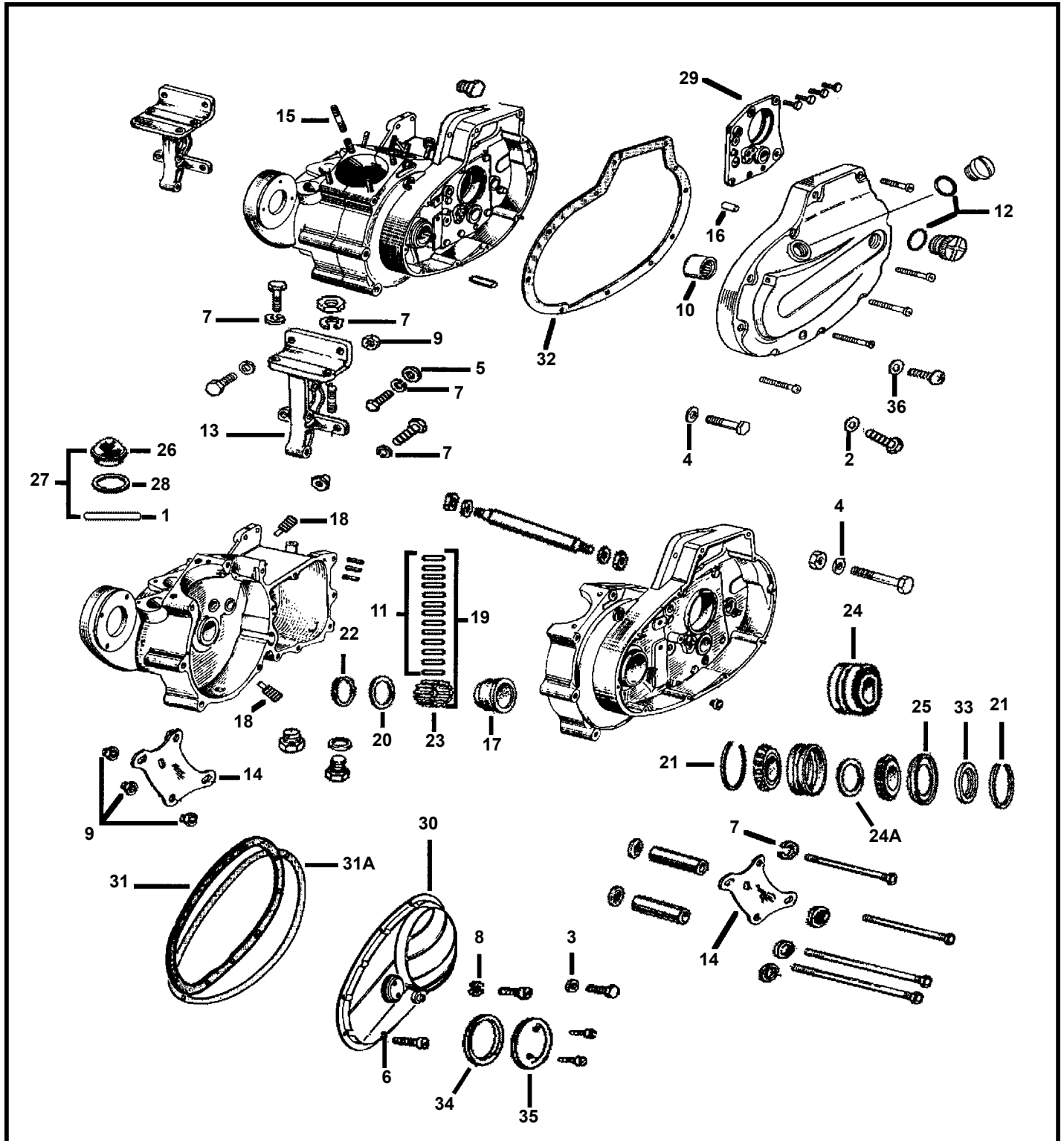


**\*5120 HILDA ROAD\* BLACKVILLE, S.C. 29817\* 803-284-3304\***

# \*\*EASTERN MOTORCYCLE PARTS\*\*

## \*\*CRANKCASE\*\*

\*\*SPORTSTER 1954-1976\*\*



\*\*CONTINUED NEXT PAGE\*\*

# **\*\*EASTERN MOTORCYCLE PARTS\*\***

## **\*\*CRANKCASE\*\***

### **\*\*SPORTSTER 1954-1976\*\***

<b>DIAGRAM NUMBER</b>	<b>EASTERN NUMBER</b>	<b>REPLACES OEM</b>	<b>DESCRIPTION</b>
1	A-333	333	pk-25 DOWEL PINS, OIL STRAINER **.124 X 1-3/4*** SPORTSTER 1952-1976
2	A-6218W	6218W	pk-25 WASHER, **COPPER**1/4" X 7/16" X 1/32" THICK
3	A-6220W	6220W	pk-25 WASHER, **STEEL**1/4" X 7/16" X 1/32" THICK
4	A-6316HW	6316HW	pk-25 WASHER, **STEEL** 5/16" X 5/8" X 1/16" THICK
5	A-6388HB	6388HB	pk-25 WASHER, **STEEL** 3/8" X 23/32" X 1/16" THICK
6	36-0198	7036	pk-100 LOCK WASHERS, REGULAR 1/4" **ZINC PLATED**
7	36-0284	7038	pk-100 LOCK WASHERS, REGULAR 3/8" **ZINC PLATED**
8	36-0262	7069	pk-100 LOCK WASHERS, REGULAR # 10 **ZINC PLATED**
9	35-0532	7775	pk-10 NYLOCK NUT, (CAD.) 3/8-24 THREAD, **9/16 HEX**
10	A-9063	9063	each BEARING, OUTER CHAIN HOUSING(TORRINGTON),SP. 1967-1980
11	A-9421-13	9421	pk-13 BEARINGS,(STD)CASE BUSHING,RIGHT SIDE,SP. 1957-1976
	A-9422-13	9422	pk-13 BEARINGS,(+.0002)CASE BUSHING,RIGHT SIDE,SP. 1957-1976
	A-9423-13	9423	pk-13 BEARINGS,(+.0004)CASE BUSHING,RIGHT SIDE,SP. 1957-1976
	A-9424-13	9424	pk-13 BEARINGS,(+.0006)CASE BUSHING,RIGHT SIDE,SP. 1957-1976
	A-9425-13	9425	pk-13 BEARINGS,(+.0008)CASE BUSHING,RIGHT SIDE,SP. 1957-1976
	A-9426-13	9426	pk-13 BEARINGS,(+.001)CASE BUSHING,RIGHT SIDE,SP. 1957-1976
12	A-11106	11106	pk-10 O-RING, FILLER CAP, CHAIN COVER, SPORTSTER 1971-1978
13	A-16203-67	16203-67	each ENGINE MOTOR MOUNT, (FRONT) **ALUMINUM**, SP. 1967-1976
14	K-2-860	16210-77	set-2 MOTOR MOUNTS, LOWER **CHROME**, SPORTSTER 1954-1981
		16213-77	MOTOR MOUNTS, LOWER **CHROME**, SPORTSTER 1954-1981
15	A-16830-54	16830-54	pk-4 STUDS, CYLINDER BASE, 2"-5/16 LONG, SPORTSTER 1954-1971
16	A-24578-57	24578-57	pk-10 DOWEL PINS, (STD) ACCESS DOOR, .555 X.880, SPORT. 1957-1989
	A-24578-96	24578-57	pk-10 DOWEL PINS, (.010) ACCESS DOOR, .565 X.880, SPORT. 1957-1989
17	A-24585-57	24585-57	each CASE BUSHING, (STD.) RIGHT SIDE, SPORTSTER 1957-1976
	A-24585-78		each CASE BUSHING, (+.002) RIGHT SIDE, SPORTSTER 1957-1976
	A-24585-79		each CASE BUSHING, (+.005) RIGHT SIDE, SPORTSTER 1957-1976
	A-24585-80		each CASE BUSHING, (+.010) RIGHT SIDE, SPORTSTER 1957-1976
18	A-24608-54	24608-54	pk-10 LOCK SCREW,FOR CASE BUSHING(ENGINE),SPORTSTER 1957-1976
19	A-24650-55	24650-55	kit BEARING KIT, RETAINERS W/ BEARINGS (STD), SP. 1954-1976
	A-24651-55	24651-55	kit BEARING KIT, RETAINERS W/ BEARINGS (+.0002), SP. 1954-1976
	A-24652-55	24652-55	kit BEARING KIT, RETAINERS W/ BEARINGS (+.0004), SP. 1954-1976
	A-24653-55	24653-55	kit BEARING KIT, RETAINERS W/ BEARINGS (+.0006), SP. 1954-1976
	A-24654-55	24654-55	kit BEARING KIT, RETAINERS W/ BEARINGS (+.0008), SP. 1954-1976
	A-24655-55	24655-55	kit BEARING KIT, RETAINERS W/ BEARINGS (+.001), SP. 1954-1976
20	A-24692-54	24692-54	pk-5 WASHER, GEAR SHAFT (RIGHT SIDE), SPORTSTER 1954-1976
21	A-24701-52	24701-52	pk-10 RETAINING RING, SPROCKET SHAFT, SPORTSTER 1954-1976
22	A-24701-54	24701-54	pk-10 RETAINING RING, GEAR SHAFT, SPORTSTER 1954-1976
23	A-24718-54	24718-54	each ROLLER RETAINER, PINION SHAFT (RIGHT SIDE), SP. 1954-1976

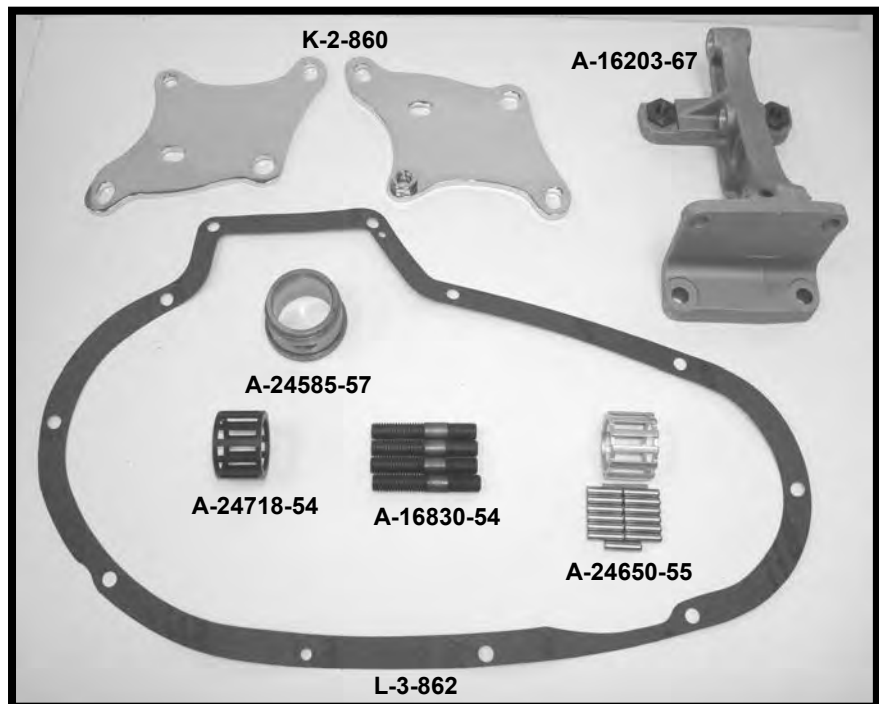
**\*\*CONTINUED NEXT PAGE\*\***

# **\*\*EASTERN MOTORCYCLE PARTS\*\***

## **\*\*CRANKCASE\*\***

### **\*\*SPORTSTER 1954-1976\*\***

<b>DIAGRAM NUMBER</b>	<b>EASTERN NUMBER</b>	<b>REPLACES OEM</b>	<b>DESCRIPTION</b>
24	45-0215	24729-52	each BEARING, MOTOR SPROCKET SHAFT <b>**IMPORT**</b> , SP. 1954-1976
24A	45-0150		pk-5 SPACER, <b>**FOR BEARING 24729-52**</b> (.195 THICK) SPORT. 1952-1976
	45-0155		pk-5 SPACER, <b>**FOR BEARING 24729-52**</b> (.197 THICK) SPORT. 1952-1976
	45-0160		pk-5 SPACER, <b>**FOR BEARING 24729-52**</b> (.199 THICK) SPORT. 1952-1976
	45-0165		pk-5 SPACER, <b>**FOR BEARING 24729-52**</b> (.201 THICK) SPORT. 1952-1976
	45-0170		pk-5 SPACER, <b>**FOR BEARING 24729-52**</b> (.203 THICK) SPORT. 1952-1976
	45-0175		pk-5 SPACER, <b>**FOR BEARING 24729-52**</b> (.205 THICK) SPORT. 1952-1976
	45-0180		pk-5 SPACER, <b>**FOR BEARING 24729-52**</b> (.207 THICK) SPORT. 1952-1976
	45-0185		pk-5 SPACER, <b>**FOR BEARING 24729-52**</b> (.209 THICK) SPORT. 1952-1976
25	A-24781-54	24781-54	each BEARING SPACER, SPROCKET SHAFT, SPORTSTER 1954-1977
26	A-24975-37	24975-37	each OIL STRAINER, LOWER CRANKCASE, SPORTSTER 1952-1976
27	A-24975-KIT		kit KIT, OIL STRAINER W/ GASKET & PIN, SPORTSTER 1952-1976
28	L-3-827	24978-57	pk-10 GASKET, MOUNTING OIL STRAINER(TO CRANKCASE), SP. 1952-1976
29	A-34844-57B	34844-57B	each ACCESS DOOR, <b>**TRANSMISSION**</b> SPORTSTER 1957-1979
30	K-2-762	34949-64	each FRONT CHAIN COVER <b>**CHROME**</b> SPORTSTER 1954-1976
31	L-3-860	34952-52	pk-10 GASKETS, PRIMARY COVER (.030 THICK) <b>*JAMES*</b> SPORT 1952-1969
31A	L-3-861	34952-52A	pk-10 GASKETS, PRIMARY COVER (.062 THICK) <b>*JAMES*</b> SPORT 1952-1969
32	L-3-862	34955-67	pk-10 GASKETS, PRIMARY COVER (OUTER), SPORTSTER 1967-1976
33	A-35151-52A	35151-52A	pk-5 OIL SEALS, MAIN & SPROCKET SHAFT, SPORTSTER 1954-1976
34	L-3-858	60567-36	pk-10 GASKETS, INSPECTION COVER (CORK), SPORTSTER 1958-1968
35		60570-64	each INSPECTION COVER <b>**CHROME**</b> , SPORTSTER 1964-1969
36	A-63858-49	63858-49	pk-10 WASHER, (FIBER) ROCKER COVER/OIL LEVEL SCREW, SP. 1971-P.
			<b>**NOT IN DIAGRAM**</b>
	A-24754-75A	24754-75A	pk-10 DOWEL PINS, CRANKCASE <b>** .434 X .500 LONG**</b> SPORT 1976-1978



**\*\*EASTERN MOTORCYCLE PARTS\*\***

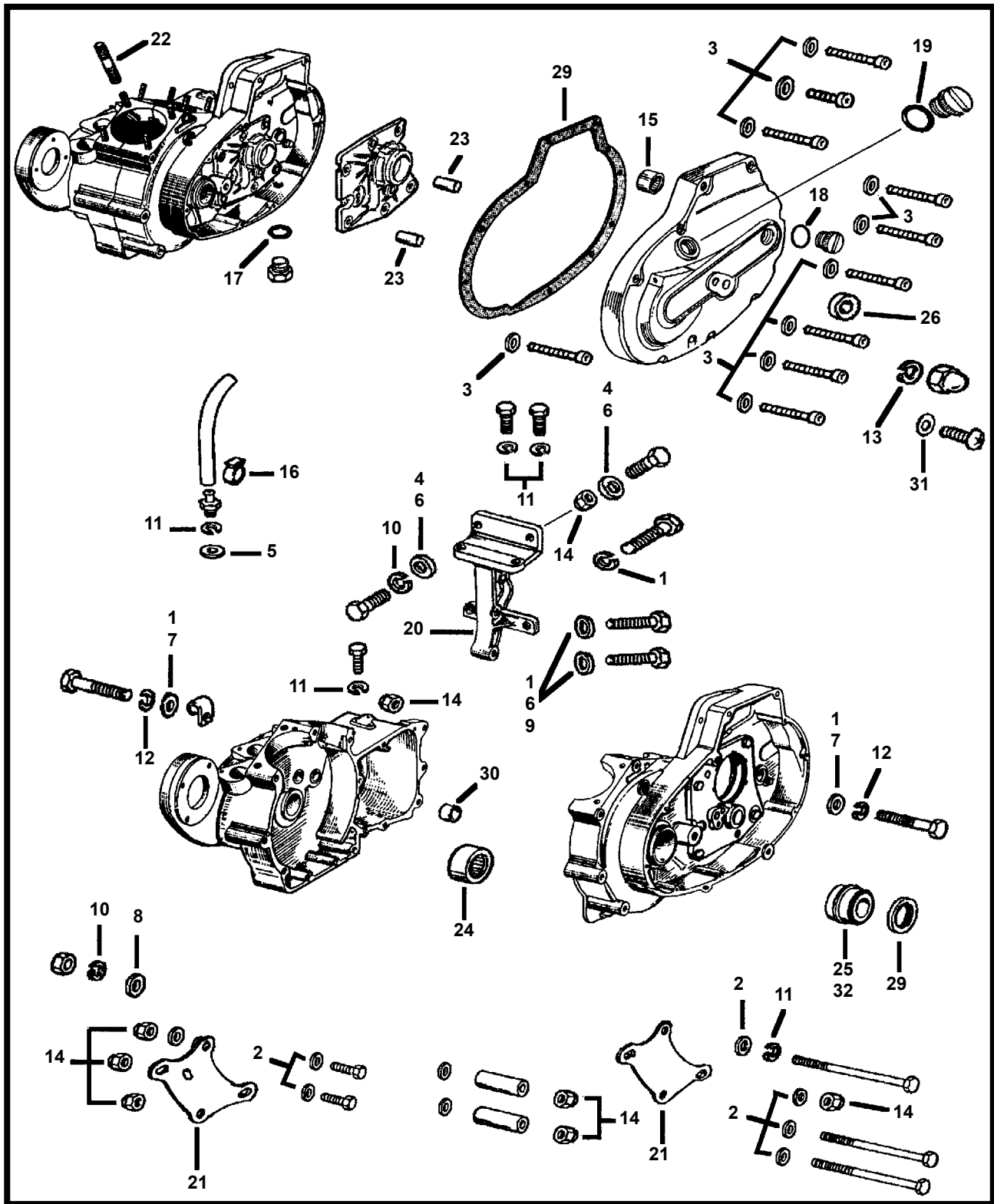


**\*5120 HILDA ROAD\* BLACKVILLE, S.C. 29817\* 803-284-3304\***

# \*\*EASTERN MOTORCYCLE PARTS\*\*

## \*\*CRANKCASE\*\*

\*\*SPORTSTER 1977-1985\*\*



# **\*\*EASTERN MOTORCYCLE PARTS\*\***

## **\*\*CRANKCASE\*\***

### **\*\*SPORTSTER 1977-1985\*\***

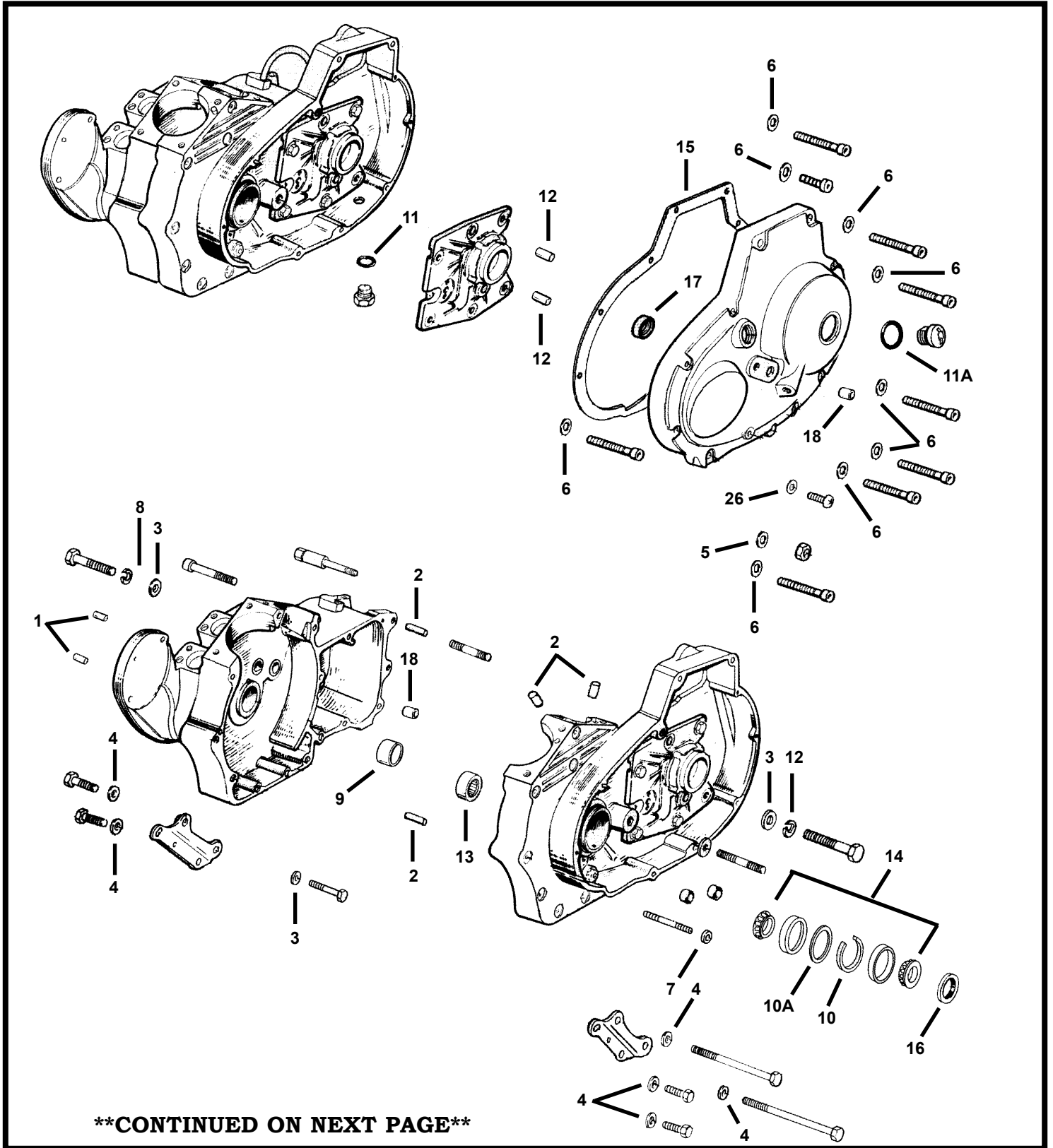
<u>DIAGRAM NUMBER</u>	<u>EASTERN NUMBER</u>	<u>REPLACES OEM</u>		<u>DESCRIPTION</u>
1	A-6016	6016	pk-25	WASHER, 11/32 X 11/16 X 1/16 THICK <b>**ZINC PLATED**</b>
2	A-6026	6026	pk-25	WASHER, 3/8 X 7/8 X 1/8 THICK, <b>**ZINC PLATED**</b>
3	A-6099	6099	pk-25	WASHER, 1/4 X 7/16 X 1/16 THICK, <b>**ZINC PLATED**</b>
4	A-6388HB	6388HB	pk-25	WASHER, 3/8 X 23/32 X 1/16 THICK, <b>**ZINC PLATED**</b>
5	A-6397B	6397B	pk-25	WASHER, 13/32 X 13/16 X 1/8 THICK, <b>**ZINC PLATED**</b>
6	A-6701	6701	pk-25	WASHER, 3/8 X 13/16 X 1/16 THICK, <b>**ZINC PLATED**</b>
7	A-6702	6702	pk-25	WASHER, 5/16 X 11/16 X 1/16 THICK, <b>**ZINC PLATED**</b>
8	A-6703	6703	pk-25	WASHER, 1/4 X 5/8 X 1/16 THICK, <b>**ZINC PLATED**</b>
	A-6736	6736	pk-25	WASHER, 1/4 X 5/8 X 1/16 THICK, <b>**ZINC PLATED**</b>
9	A-6443HW	6812	pk-25	WASHER, 3/8 X 11/16 X 1/16 THICK, <b>**ZINC PLATED**</b>
10	36-0198	7036	pk-100	LOCK WASHER, (REGULAR 1/4") <b>**ZINC PLATED**</b>
11	36-0284	7038	pk-100	LOCK WASHER, (REGULAR 3/8") <b>**ZINC PLATED**</b>
12	36-0214	7041	pk-100	LOCK WASHER, (REGULAR 5/16") <b>**ZINC PLATED**</b>
13	36-0258	7060	pk-100	LOCK WASHER, (REGULAR 1/2") <b>**ZINC PLATED**</b>
		7068		
14	35-0532	7775	pk-10	NYLOCK NUT, <b>**3/8-24 X 9/16 HEX** (CADMIUM PLATED)</b>
15	A-9063	9063	each	BEARING, OUTER CHAIN HOUSING, SPORTSTER 1967-1980
16	A-10080	10080	pk-10	HOSE CLAMP, <b>**OIL AND GAS LINES, (11/16 I.D.)</b>
17	A-11105	11105	pk-10	O-RING, DRAIN PLUG, SPORTSTER 1978-PRESENT
18	A-11106	11106	pk-10	O-RING, FILLER CAP, (CHAIN COVER) SPORTSTER 1971-1978
19	A-11139	11139	pk-10	O-RING, FILLER CAP, (CHAIN COVER) SPORTSTER 1978-1990
20	A-16203-67	16203-67	each	MOTOR MOUNT, (FRONT) <b>**ALUMINUM**</b> SPORTSTER 1967-1981
21	K-2-860	16210-77	set-2	MOTOR MOUNTS, (LOWER) <b>**LEFT AND RIGHT**</b> SPORT. 1954-1981
		16213-77		
	K-2-858	16210-84A	set-2	MOTOR MOUNTS, (LOWER) <b>**LEFT AND RIGHT**</b> SPORT. 1984-1991
		16212-84		
22	A-16830-72	16830-72	pk-4	STUDS, CYLINDER BASE, (2-11/32" LONG) SPORTSTER 1972-1985
23	A-24578-57	24578-57	pk-10	DOWEL PINS, ACCESS DOOR <b>**STD**</b> (.555 X .880) SP. 1957-1989
	A-24578-96	24578-57	pk-10	DOWEL PINS, ACCESS DOOR <b>**010**</b> (.565 X .880) SP. 1957-1989
24	A-24648-77	24648-77	each	BEARING, PINION SHAFT, <b>(W/OUT RACE)</b> SPORTSTER 1977-1986
	A-24648-77A	24648-77	each	BEARING, PINION SHAFT, <b>(WITH RACE)</b> SPORTSTER 1977-1986
25	A-24729-74	24729-74	each	MOTOR BEARING, SPROCKET SHAFT, (IMPORT) SPORT. 1977-2003
	A-24729-74A	24729-74	each	MOTOR BEARING, SPROCKET SHAFT, (TIMKEN) SPORT. 1977-2003
26	A-34035-52	34035-52	pk-5	OIL SEAL, SHIFTER SHAFT LEVER, SPORTSTER 1952-1990
28	L-3-864	34955-75	pk-10	GASKETS, PRIMARY COVER, (OUTER) SPORTSTER 1977-1990
29	A-35151-74	35151-74	pk-5	OIL SEAL, SPROCKET SHAFT, SPORTSTER 1977-2003
30	A-40520-63	40520-63	pk-5	BUSHING, SHIFTER SHAFT, <b>**OIL-LITE**</b> SPORTSTER 1986-2005
31	A-63858-49	63858-49	pk-10	WASHER, OIL LEVER SCREW, <b>**FIBER**</b> SPORTSTER 1971-PRES.
32	*24729-74*	(IMPORT)	<b>**SEE PAGE 128-129 FOR INDIVIDUAL TIMKEN**</b>	
	*24729-74A*	(TIMKEN)	<b>**BEARING SPACERS &amp; TOOLS**</b>	
			<b>**BEARING RACES FOR SPORTSTER 1987-PRESENT**</b>	
	A-8881	8881	each	BEARING RACE, RIGHT SIDE <b>(STD)</b> SPORTSTER 1987-PRESENT
	A-8881B	8881	each	BEARING RACE, RIGHT SIDE <b>(.002)</b> SPORTSTER 1987-PRESENT
	A-8881C	8881	each	BEARING RACE, RIGHT SIDE <b>(.005)</b> SPORTSTER 1987-PRESENT
			<b>**NOT IN DIAGRAM**</b>	
	A-24754-75A	24754-75A	pk-10	DOWEL PINS, CRANKCASE <b>**0.434 X .500 LONG**</b> SPORT 1976-1978



# \*\*EASTERN MOTORCYCLE PARTS\*\*

## \*\*CRANKCASE\*\*

\*\*SPORTSTER 1986-1990\*\*



\*\*CONTINUED ON NEXT PAGE\*\*

# **\*\*EASTERN MOTORCYCLE PARTS\*\***

## **\*\*CRANKCASE\*\***

### **\*\*SPORTSTER 1986-1990\*\***

<u>DIAGRAM NUMBER</u>	<u>EASTERN NUMBER</u>	<u>REPLACES OEM</u>	<u>DESCRIPTION</u>
1	A-215	215	pk-10 DOWEL PINS, CRANKCASE **.313X.748 LONG**
2	A-358	358	pk-10 DOWEL PINS, CRANKCASE **.251X.596 LONG**
3	A-6016	6016	pk-25 WASHER, 11/32 X 11/16 X 1/16 THICK <b>**ZINC PLATED**</b>
4	A-6019	6019	pk-25 WASHER, 3/8 X 7/8 X 1/8 THICK, <b>**ZINC PLATED**</b>
5	A-6033	6033	pk-25 WASHER, 3/8 X 9/16 X 1/16 THICK, <b>**ZINC PLATED**</b>
6	A-6099	6099	pk-25 WASHER, 1/4 X 7/16 X 1/16 THICK, <b>**ZINC PLATED**</b>
7	A-6812	6812	pk-25 WASHER, 13/32 X 11/16 X 1/16 THICK, <b>**ZINC PLATED**</b>
8	36-0214	7041	pk-100 LOCK WASHER, (REGULAR 5/16") <b>**ZINC PLATED**</b>
9	A-8881	8881	each CASE RACE, RIGHT SIDE <b>**STD**</b> SPORTSTER 1987-PRESENT
	A-8881B		each CASE RACE, RIGHT SIDE <b>**002**</b> SPORTSTER 1987-PRESENT
	A-8881C		each CASE RACE, RIGHT SIDE <b>**005**</b> SPORTSTER 1987-PRESENT
10	A-9119A	9119A	pk-10 RETAINING RING, LEFT SIDE MOTOR BEARING, SPORT. 1977-PRES.
10A	A-9142	9142	pk-5 SHIM, BEARING SPACER (.100 THICK) SPORTSTER 1977-PRESENT
	A-9143	9143	pk-5 SHIM, BEARING SPACER (.102 THICK) SPORTSTER 1977-PRESENT
	A-9144	9144	pk-5 SHIM, BEARING SPACER (.104 THICK) SPORTSTER 1977-PRESENT
	A-9145	9145	pk-5 SHIM, BEARING SPACER (.106 THICK) SPORTSTER 1977-PRESENT
	A-9146	9146	pk-5 SHIM, BEARING SPACER (.108 THICK) SPORTSTER 1977-PRESENT
	A-9147	9147	pk-5 SHIM, BEARING SPACER (.110 THICK) SPORTSTER 1977-PRESENT
	A-9148	9148	pk-5 SHIM, BEARING SPACER (.112 THICK) SPORTSTER 1977-PRESENT
	A-9149	9149	pk-5 SHIM, BEARING SPACER (.114 THICK) SPORTSTER 1977-PRESENT
	A-9155	9155	pk-5 SHIM, BEARING SPACER (.098 THICK) SPORTSTER 1977-PRESENT
11	A-11105	11105	pk-10 O-RING, DRAIN PLUG, SPORTSTER 1978-PRESENT
11A	A-11139	11139	pk-10 O-RING, FILLER CAP, (CHAIN COVER) SPORTSTER 1978-1990
12	A-24578-57	24578-57	pk-10 DOWEL PINS, ACCESS DOOR <b>**STD**</b> (.555 X .880) SP. 1957-1989
	A-24578-96	24578-57	pk-10 DOWEL PINS, ACCESS DOOR <b>**010**</b> (.565 X .880) SP. 1957-1989
13	A-24648-77	24648-77	each BEARING, PINION SHAFT, <b>(W/OUT RACE)</b> SPORTSTER 1977-1986
	A-24648-77A	24648-77	each BEARING, PINION SHAFT, <b>(WITH RACE)</b> SPORTSTER 1977-1986
	A-24647-87	24647-87	each BEARING, PINION SHAFT, W/CAGE & ROLLERS <b>(BLUE)</b> SP. 1987-P.
	A-24650-87	24650-89	each BEARING, PINION SHAFT, W/CAGE & ROLLERS <b>(RED)</b> SP. 1987-P.
	A-24659-87	24659-87	each BEARING, PINION SHAFT, W/CAGE & ROLLERS <b>(WHITE)</b> SP. 1987-P.
	A-24660-87	24660-87	each BEARING, PINION SHAFT, W/CAGE & ROLLERS <b>(GREEN)</b> SP. 1987-P.
14	A-24729-74	24729-74	each MOTOR BEARING, SPROCKET SHAFT, (IMPORT) SPORT. 1977-PRES.
	A-24729-74A	24729-74	each MOTOR BEARING, SPROCKET SHAFT, (TIMKEN) SPORT. 1977-PRES.
15	L-3-864	34955-75	pk-10 GASKETS, PRIMARY COVER, (OUTER) SPORTSTER 1977-1990
16	A-35151-74	35151-74	pk-5 OIL SEAL, SPROCKET SHAFT, SPORTSTER 1977-2003
17	A-37101-84	37101-84	pk-10 OIL SEAL, SHIFTER SHAFT LEVER, SPORTSTER 1986-PRESENT
18	A-40520-63	40520-63	pk-5 BUSHING, SHIFTER SHAFT, <b>**OIL-LITE**</b> SPORTSTER 1986-2005
19	A-63858-49	63858-49	pk-10 WASHER, OIL LEVER SCREW, <b>**FIBER**</b> SPORTSTER 1971-PRES.

\*24729-74\* (IMPORT)

\*24729-74A\* (TIMKEN)

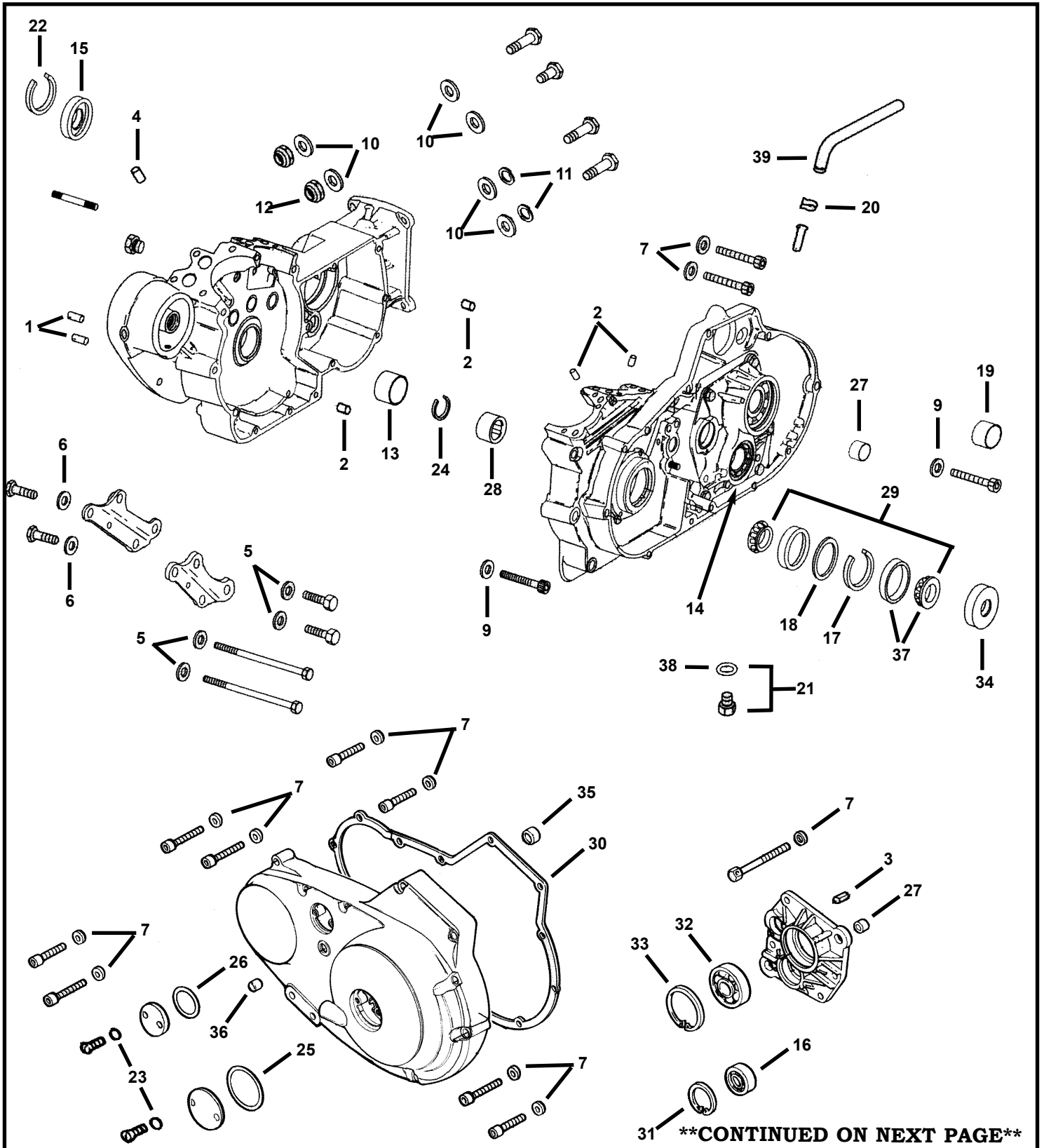
**\*\*SEE PAGE 126-127 FOR INDIVIDUAL TIMKEN\*\***

**\*\*BEARING SPACERS & TOOLS\*\***

# \*\*EASTERN MOTORCYCLE PARTS\*\*

## \*\*CRANKCASE\*\*

\*\*SPORTSTER 1991-2003\*\*



\*\*CONTINUED ON NEXT PAGE\*\*

# **\*\*EASTERN MOTORCYCLE PARTS\*\***

## **\*\*CRANKCASE\*\***

### **\*\*SPORTSTER 1991-2003\*\***

<b>DIAGRAM NUMBER</b>	<b>EASTERN NUMBER</b>	<b>REPLACES OEM</b>	<b>DESCRIPTION</b>
1	A-215	215	pk-10 DOWEL PINS, CRANKCASE **.313X.748 LONG**
2	A-358	358	pk-10 DOWEL PINS, CRANKCASE **.251X.596 LONG**
3	A-600	600	pk-25 ROLL PINS **1/8 X 1/2**
4	A-604	604	pk-25 ROLL PINS, **1/8 X 3/8**
5	A-6019	6019	pk-25 WASHER, 3/8 X 7/8 X 1/8" THICK, <b>**ZINC PLATED**</b>
6	A-6026	6026	pk-25 WASHER, 3/8 X 7/8 X 7/64" THICK, <b>**ZINC PLATED**</b>
7	A-6099	6099	pk-25 WASHER, 1/4 X 7/16 X 1/16" THICK, <b>**ZINC PLATED**</b>
8	A-6109	6109	pk-25 WASHER, 5/15 X 11/16 X 1/8" THICK, <b>**ZINC PLATED**</b>
9	A-6314W	6314W	pk-25 WASHER, 21/64 X 9/16 X 1/8" THICK, <b>**ZINC PLATED**</b>
10	A-6701	6701	pk-25 WASHER, 3/8 X 13/16 X 1/16" THICK, <b>**ZINC PLATED**</b>
11	36-0284	7038	pk-100 LOCK WASHER, REGULAR 3/8" <b>**ZINC PLATED**</b>
12	35-0532	7775	pk-10 NYLOCK NUT, CAD PLATED **3/8-24 THREAD**
13	A-8881	8881	each CASE RACE, RIGHT SIDE <b>**STD**</b> SPORTSTER 1987-PRESENT
	A-8881B		each CASE RACE, RIGHT SIDE <b>**002**</b> SPORTSTER 1987-PRESENT
	A-8881C		each CASE RACE, RIGHT SIDE <b>**005**</b> SPORTSTER 1987-PRESENT
14	A-8977	8977	each BEARING, COUNTERSHAFT CLUTCH SIDE, SPORTSTER 1991-2005
15	A-8996	8996A	each BEARING, MAINSHAFT CLUTCH SIDE, SPORTSTER 1991-2005
16	A-8998	8998	each BEARING, ACCESS DOOR, SPORTSTER 1980-2003
17	A-9119A	9119A	pk-10 RETAINING RING, MOTOR BEARING, SPORTSTER 1977-PRESENT
18	A-9142	9142	pk-5 SHIM, BEARING SPACER (.100 THICK) SPORTSTER 1977-PRESENT
	A-9143	9143	pk-5 SHIM, BEARING SPACER (.102 THICK) SPORTSTER 1977-PRESENT
	A-9144	9144	pk-5 SHIM, BEARING SPACER (.104 THICK) SPORTSTER 1977-PRESENT
	A-9145	9145	pk-5 SHIM, BEARING SPACER (.106 THICK) SPORTSTER 1977-PRESENT
	A-9146	9146	pk-5 SHIM, BEARING SPACER (.108 THICK) SPORTSTER 1977-PRESENT
	A-9147	9147	pk-5 SHIM, BEARING SPACER (.110 THICK) SPORTSTER 1977-PRESENT
	A-9148	9148	pk-5 SHIM, BEARING SPACER (.112 THICK) SPORTSTER 1977-PRESENT
	A-9149	9149	pk-5 SHIM, BEARING SPACER (.114 THICK) SPORTSTER 1977-PRESENT
	A-9155	9155	pk-5 SHIM, BEARING SPACER (.098 THICK) SPORTSTER 1977-PRESENT
19	A-9151	9151	each BEARING, SHIFTER DRUM END, SPORTSTER 1991-2003
20	A-10080	10080	pk-10 HOSE CLAMPS, STAINLESS (11/16" I.D.)
21	A-11105	11105	pk-10 O-RING, DRAIN PLUG, SPORTSTER 1978-PRESENT
22	A-11161	11161	pk-5 RETAINING RING, MAINSHAFT BEARING, SPORTSTER 1991-PRES.
23	A-11171	11171	pk-10 O-RING, INSPECTION COVER SCREWS, SPORTSTER 1986-2003
24	A-11177	11177	pk-10 RETAINING RING, PINION SHAFT, SPORTSTER 1987-1994
	A-11177A	11177A	pk-10 RETAINING RING, PINION SHAFT, SPORTSTER 1995-PRESENT
25	A-11187	11187	pk-10 O-RING, CLUTCH INSPECTION COVER, SPORTSTER 1991-1994
26	A-11188	11188	pk-10 O-RING, CHAIN INSPECTION COVER, SPORTSTER 1991-2003
27	A-16573-83	16573-83	pk-8 INSERT, CRANKCASE, SPORTSTER 1986-PRESENT
28	A-24647-87	24647-87	each BEARING, PINION SHAFT, W/CAGE & ROLLERS (BLUE) SP. 1987-P.
	A-24650-87	24650-89	each BEARING, PINION SHAFT, W/CAGE & ROLLERS (RED) SP. 1987-P.
	A-24659-87	24659-87	each BEARING, PINION SHAFT, W/CAGE & ROLLERS (WHITE) SP. 1987-P.
	A-24660-87	24660-87	each BEARING, PINION SHAFT, W/CAGE & ROLLERS (GREEN) SP. 1987-P.
29	A-24729-74	24729-74	each MOTOR BEARING, SPROCKET SHAFT, (IMPORT) SPORT. 1977-2003
	A-24729-74A	24729-74	each MOTOR BEARING, SPROCKET SHAFT, (TIMKEN) SPORT. 1977-2003
30	L-3-865	34955-89	pk-10 GASKETS, PRIMARY COVER (WITHOUT SILICONE) SPORT. 1991-2003
31	A-35021-89	35021-89	pk-10 RETAINING RING, ACCESS DOOR (COUNTERSHAFT) SP. 1991-2003
32	A-35030-89	35030-89	each BEARING, ACCESS DOOR, SPORTSTER 1991-2003
33	A-35038-89	35038-89	pk-10 RETAINING RING, ACCESS DOOR (MAINSHAFT) SPORT. 1991-2003
34	A-35151-74	35151-74	pk-5 OIL SEAL, SPROCKET SHAFT, SPORTSTER 1977-2003
35	A-37101-84	37101-84	pk-5 OIL SEALS, SHIFTER SHAFT LEVER, SPORTSTER 1986-PRESENT
36	A-40520-63	40520-63	pk-5 BUSHING, SHIFTER SHAFT <b>**OIL LITE**</b> SPORTSTER 1986-2005
37	A-48302-85	48302-85	each MOTOR BEARING <b>**CUP &amp; CONE ONLY**</b> SPORTSTER 1977-2003
38	A-60348-65B	60348-65B	kit DRAIN PLUG, WITH O-RING <b>**MAGNETIC**</b> SPORTSTER 1977-2003
39	E-409	63500-68	25-ft NEOPRENE FUEL LINE **3/8**

# \*\*EASTERN MOTORCYCLE PARTS\*\*

## \*\*CRANKCASE\*\*

### \*\*SPORTSTER 2004-PRESENT\*\*

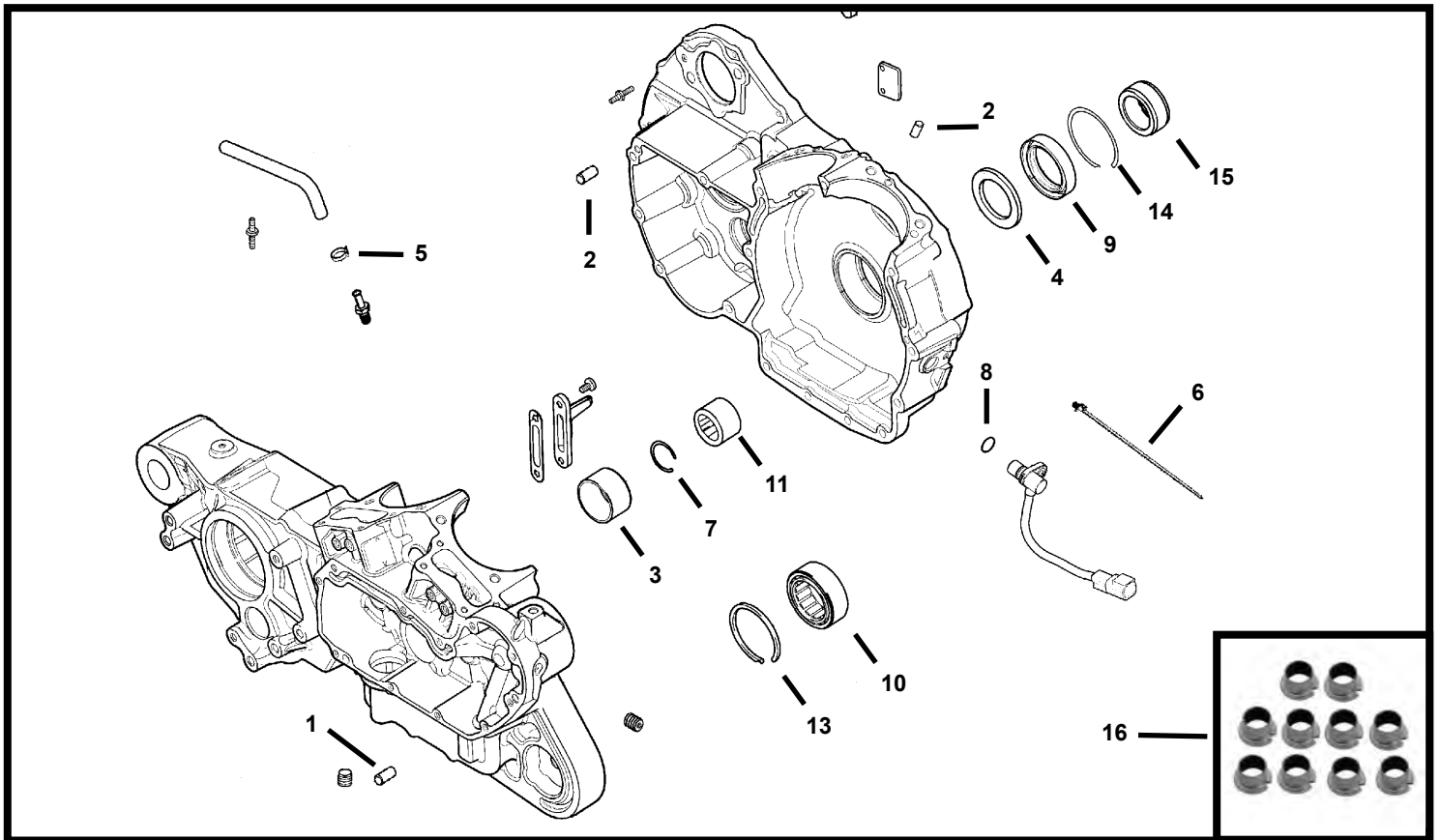


DIAGRAM NUMBER	EASTERN NUMBER	REPLACES OEM		DESCRIPTION
1	A-215	215	pk-10	DOWEL PINS **.313 X .748 LONG**
2	A-358	358	pk-10	DOWEL PINS **.251 X .496 LONG**
3	A-8881	8881	each	CASE RACE, PINION SHAFT <b>(STD)</b> SPORTSTER 1987-PRESENT
	A-8881B	8881	each	CASE RACE, PINION SHAFT <b>(.002)</b> SPORTSTER 1987-PRESENT
	A-8881C	8881	each	CASE RACE, PINION SHAFT <b>(.005)</b> SPORTSTER 1987-PRESENT
4	A-8973	8973	pk-5	THRUST WASHER, MAIN BEARING, SPORTSTER 2004-PRESENT
5	A-10080	10080	pk-10	HOSE CLAMP <b>**11/16 I.D.**</b>
6	37-0805	10177	pk-25	WIRE TIE, <b>**7-1/4" LONG**</b> (BLACK) BIG TWIN-SPORTSTER
	37-0807		pk-25	WIRE TIE, <b>**11-1/4" LONG**</b> (BLACK) BIG TWIN-SPORTSTER
	37-0809		pk-25	WIRE TIE, <b>**14" LONG**</b> (BLACK) BIG TWIN-SPORTSTER
7	A-11177A	11177A	pk-10	RETAINING RING, PINION SHAFT SPORTSTER 1995-PRESENT
8	A-11289	11289	pk-10	O-RING, CRANKSHAFT POSITION SENSOR, SPORTSTER 2004-PRES.
9	A-12068	12068	pk-5	OIL SEAL, SPROCKET SHAFT, SPORTSTER 2004-PRESENT
10	A-24604-00C	24604-00C	each	BEARING, PINION SHAFT, BIG TWIN 2000-2007, SPORT. 2004-2009
	A-24605-07	24605-07	each	BEARING, PINION SHAFT, BIG TWIN 2008-PRES,SPORT. 2009-PRES
11	A-24647-87	24647-87	each	BEARING, PINION SHAFT <b>**BLUE**</b> SPORTSTER 1987-PRESENT
	A-24650-87	24650-87	each	BEARING, PINION SHAFT <b>**RED**</b> SPORTSTER 1987-PRESENT
	A-24659-87	24659-87	each	BEARING, PINION SHAFT <b>**WHITE/GRAY**</b> SPORTSTER 1987-PRES.
	A-24660-87	24660-87	each	BEARING, PINION SHAFT <b>**GREEN**</b> SPORTSTER 1987-PRESENT
13	A-35114-02	35114-02	pk-10	RETAINING RING, MAIN BEARING, SPORTSTER 2004-PRESENT
14	A-35118-03	35118-03	pk-10	RETAINING RING, MAIN BEARING, SPORTSTER 2004-PRESENT
15	A-40254-02	40254-02	each	SPACER, SPROCKET SHAFT OIL SEAL, SPORTSTER 2004-PRESENT
16	A-40574-06	40574-06	pk-10	BUSHINGS, PRIMAY COVER/SHIFTER SHAFT, SPORT 2006-PRESENT

**\*\*EASTERN MOTORCYCLE PARTS\*\***



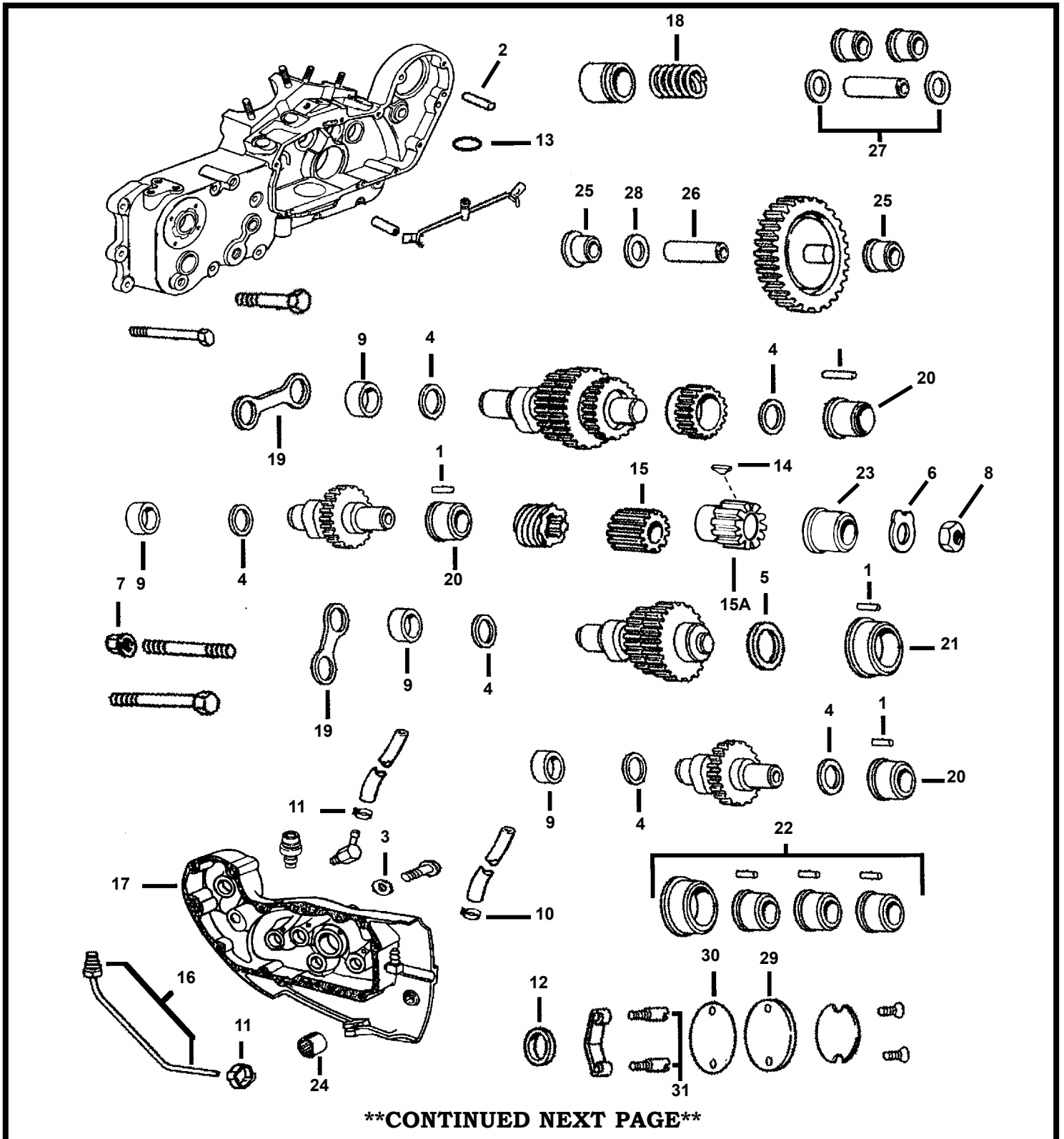
**\*5120 HILDA ROAD\* BLACKVILLE, S.C. 29817\* 803-284-3304\***

# \*\*EASTERN MOTORCYCLE PARTS\*\*

## \*\*CRANKCASE\*\*

### \*\*GEAR SIDE\*\*

\*\*SPORTSTER 1954-1990\*\*



\*\*CONTINUED NEXT PAGE\*\*

# **\*\*EASTERN MOTORCYCLE PARTS\*\***

## **\*\*CRANKCASE\*\***

### **\*\*GEAR SIDE\*\***

#### **\*\*SPORTSTER 1954-1990\*\***

<u>DIAGRAM NUMBER</u>	<u>EASTERN NUMBER</u>	<u>REPLACES OEM</u>		<u>DESCRIPTION</u>
1	A-275	275	pk-25	DOWEL PINS,CAM BUSHINGS(BRONZE)*.125 X 1/4", SP. 1952-1998
2	A-375	375	pk-25	DOWEL PINS, GEARCASE **.308 x .690 LONG** SPORTSTER
3	A-6099	6099	pk-100	WASHER, STEEL-1/4" X 7/16" X 1/16" THICK
4	A-6769	6769	pk-10	SHIMS, (+.007) CAM GEARS # 1,3,& 4, SPORTSTER 1952-1982
	A-6770	6770	pk-10	SHIMS, (+.005) CAM GEARS # 1,3,& 4, SPORTSTER 1952-1982
	A-6771	6771	pk-10	SHIMS, (+.015) CAM GEARS # 1,3,& 4, SPORTSTER 1952-1982
5	A-6773		pk-10	SHIMS,(+.005)**SPECIAL**CAM GEARS#-2,SPORTSTER 1952-PRES.
	A-6775		pk-10	SHIMS,(+.010)**SPECIAL**CAM GEARS#-2,SPORTSTER 1952-PRES.
	A-6778		pk-10	SHIMS,(+.015)**SPECIAL**CAM GEARS#-2,SPORTSTER 1952-PRES.
6	A-7044	7044	pk-10	LOCK TAB, PINION SHAFT, SPORTSTER 1977-1987
7	35-0532	7775	pk-10	NYLOCK NUT, (CAD.) 3/8-24 THREAD **9/16 HEX**
8	A-7913	7913	pk-5	NUT, PINION GEAR SHAFT, SPORTSTER 1977-1990
9	A-9057	9057	each	CAM BEARING, (TORRINGTON) SPORTSTER 1958-1990
	40-0300	9057	each	CAM BEARING, **IMPORT** SPORTSTER 1958-1990
10	A-10014	10014	pk-25	HOSE CLAMPS, 17/32" I.D. **GAS HOSE**
11	A-10080	10080	pk-10	HOSE CLAMPS, 11/16" I.D. **OIL & GAS LINES**
12	A-11124	11124	pk-5	OIL SEALS, CAM GEAR COVER, SPORTSTER 1971-PRESENT
13	A-11172	11172	pk-10	O-RING, CAM GEAR OILER ,SPORTSTER 1985-ONLY
14	A-11219	11219	pk-10	KEY, PINION GEAR SHAFT, SPORTSTER 1986-2003
15	A-24011-37	24011-37	each	PINION GEAR, FOR PINION SHAFT, SPORTSTER 1952-1976
15A	A-24061-74	24061-74	each	PINION GEAR, FOR PINION SHAFT **BLACK** SPORT. 1974-1985
16	O-6-001	24912-52A	each	BREATHER PIPE, CAM COVER **CHROME**, SPORTSTER 1952-1978
17	L-3-835	25224-52A	pk-10	GASKETS, CAM GEAR COVER, SPORTSTER 1952-1981
	L-3-836	25263-81	pk-10	GASKETS, CAM GEAR COVER, SPORTSTER 1982-1985
	L-3-836A	25263-86	pk-10	GASKETS, CAM GEAR COVER, SPORTSTER 1986-1990
18	A-25287-37	25287-37	pk-10	SPRING, SEAL RING CAM COVER (ENGINE), SPORTSTER 1952-1962
19	A-25551-58	25551-58	pair	THRUST PLATE, CAM GEARS, SPORTSTER 1958-PRESENT
20	A-25586-37	25586-37	each	BUSHING, CAM GEAR COVER (1-3-4) SPORTSTER 1952-PRESENT
	A-25586-37+5	25586-37	each	BUSHING, CAM GEAR COVER (1-3-4) (.005 O/S) SPORTSTER 1952-P.
	A-25586-37+10	25586-37	each	BUSHING, CAM GEAR COVER (1-3-4) (.010 O/S) SPORTSTER 1952-P.
21	A-25588-57	25588-57	each	BUSHING, CAM GEAR (#-2 CAM), SPORTSTER 1957-1990
	A-25588-57+5	25588-57	each	BUSHING, CAM GEAR (#-2 CAM), (.005 O/S) SPORTSTER 1957-1990
	A-25588-57+10	25588-57	each	BUSHING, CAM GEAR (#-2 CAM), (.010 O/S) SPORTSTER 1957-1990
22	A-25588-80		kit	BUSHING KIT, CAM GEAR BRONZE ONLY*1-2-3&4*, SP. 1957-1990
23	A-25593-57	25593-57	each	BUSHING, PINION GEAR SHAFT, SPORTSTER 1957-1977
	A-25593-57+5	25593-57	each	BUSHING, PINION GEAR SHAFT (.005 O/S) SPORTSTER 1957-1977
	A-25593-74	25593-74	each	BUSHING, PINION GEAR SHAFT, SPORTSTER 1977-PRESENT
24	A-25594-75A	25594-75	pk-5	BUSHING,BRAKE PEDAL, SHAFT,SPORTSTER 1977-E/1981
25	A-25597-57	25597-57	pair	BUSHINGS, IDLER GEAR SHAFT, SPORTSTER 1957-E/1984
	A-25597-57+5	25597-57	pair	BUSHINGS, IDLER SHAFT, (.005 O/S) SPORTSTER 1957-E/1984
26	A-25787-57	25787-57	each	STUD,IDLER GEAR (CRANKCASE) *MADE IN USA*, SP. 1954-'78 ONLY
27	A-25787-KIT		kit	STUD, BUSHING & WASHER KIT, IDLER GEAR, SPORT. 1957-E/1984 <b>KIT INCLUDES: (1) 25787-57, (2) 25597-57, (2) 25811-11</b>
28	A-25811-11	25811-11	pk-10	WASHER, (FIBER) IDLER GEAR STUD**PHENOLIC**,SP. 1965-E/1979
29	R-9-1212	32588-70A	each	POINT COVER, PLAIN **CHROME**, SPORTSTER 1971-PRESENT
31	L-3-832	32591-70	pk-10	GASKETS, *POINTS* (GEAR) COVER, SPORTSTER 1971-1979
31	A-32601-78	32601-78	pair	STUDS, CIRCUIT BREAKER (PLATE), SPORTSTER 1972-1979
	A-32608-70	32608-70	pair	STUDS, CIRCUIT BREAKER (PLATE), SPORTSTER 1970-1972

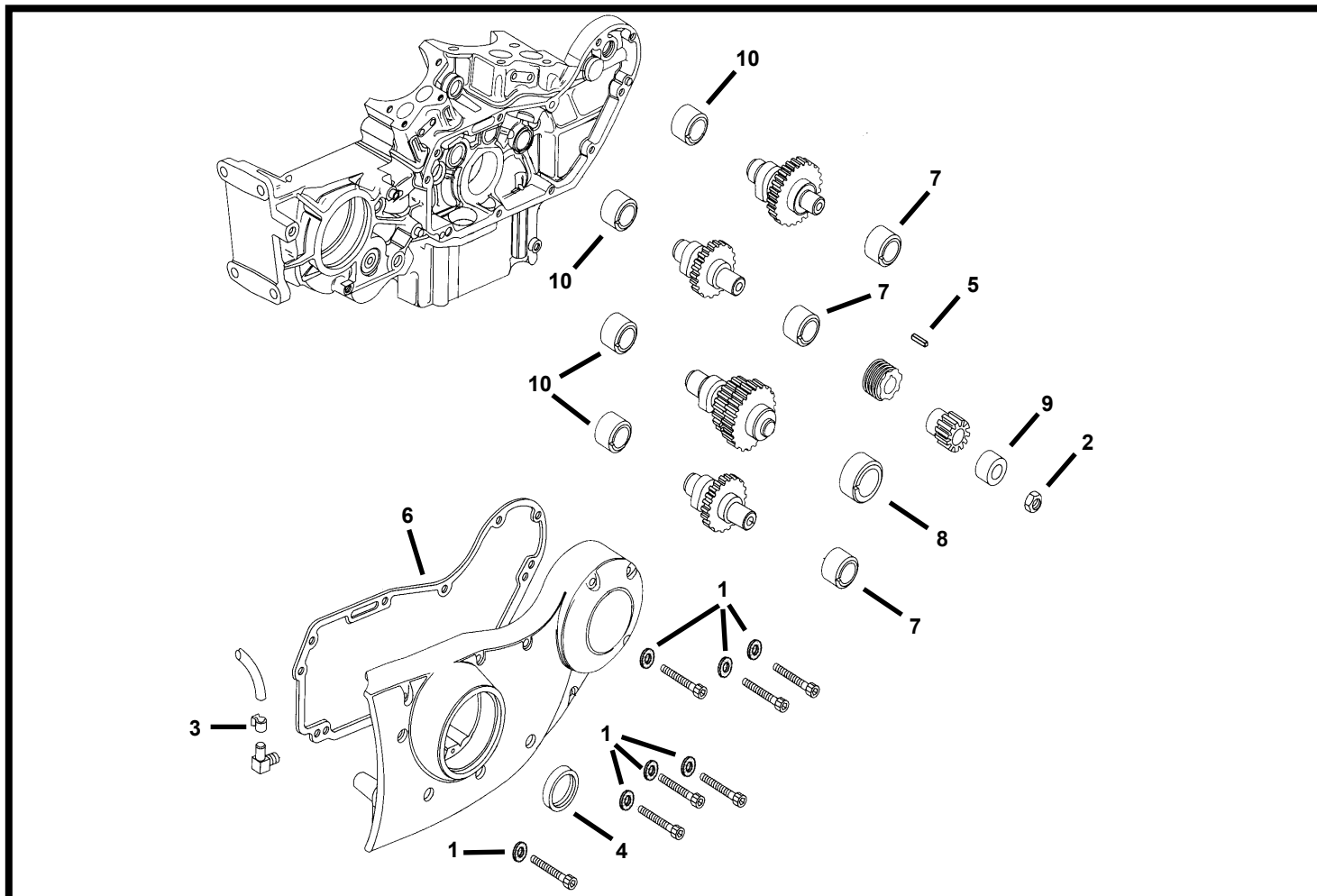


# \*\*EASTERN MOTORCYCLE PARTS\*\*

## \*\*CRANKCASE\*\*

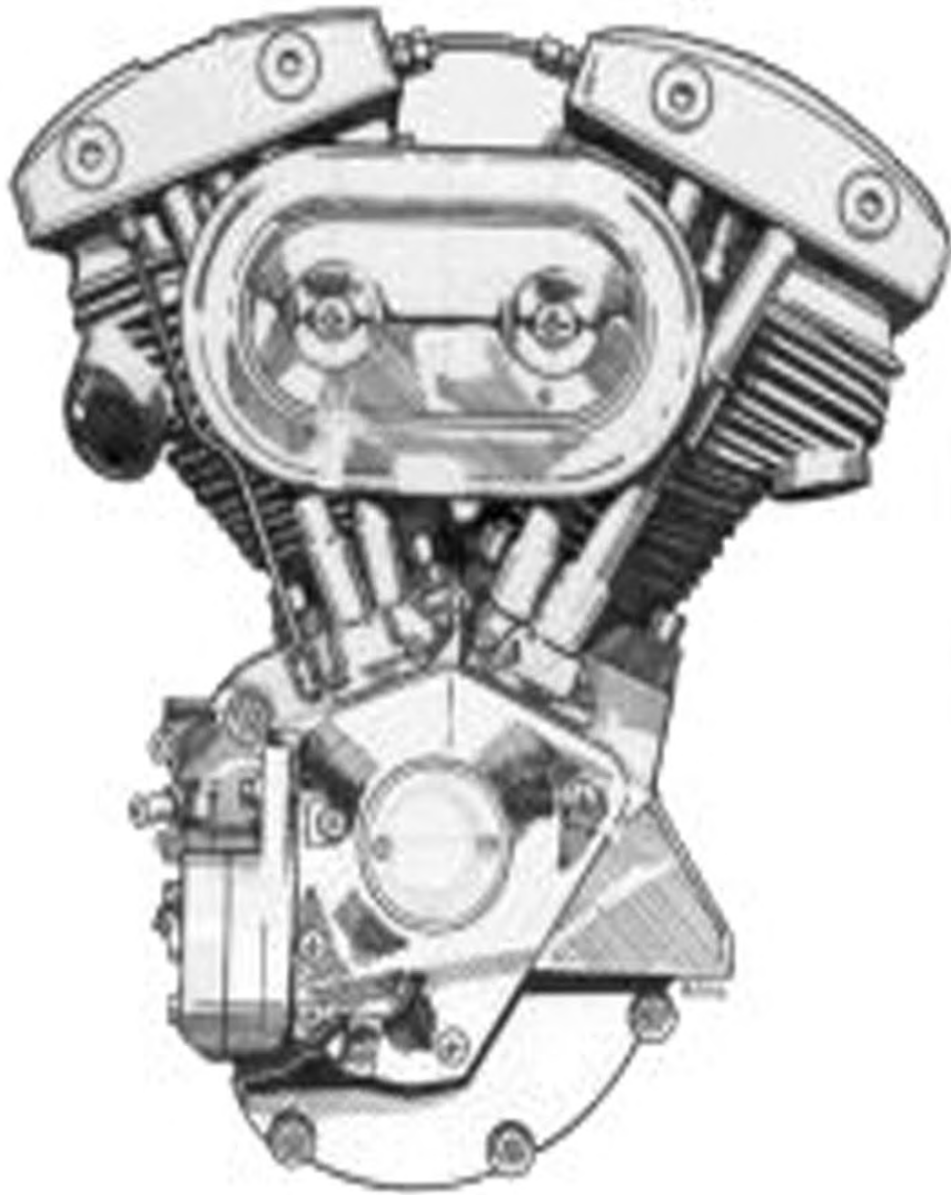
### \*\*GEAR SIDE\*\*

### \*\*SPORTSTER 1991-PRESENT\*\*



<u>DIAGRAM NUMBER</u>	<u>EASTERN NUMBER</u>	<u>REPLACES OEM</u>	<u>DESCRIPTION</u>
1	A-6099	6099	pk-25 WASHER, 1/4 X 7/16 X 1/16" THICK, <b>**ZINC PLATED**</b>
2	A-7916A	7916A	pk-5 NUT, PINION SHAFT END, SPORTSTER 1991-PRESENT
3	A-10014	10014	pk-25 HOSE CLAMPS <b>**17/32" I.D.**</b>
	A-10117	10117	pk-25 HOSE CLAMPS <b>**1/2" I.D.**</b>
4	A-11124	11124	pk-10 OIL SEAL, CAM GEAR COVER, SPORTSTER 1971-2003
5	A-11219	11219	pk-10 KEY, (T-STYLE) PINION GEAR, SPORTSTER 1986-2003
	41-0147	11317	pk-10 KEY, PINION GEAR, (SQUARE STYLE) SPORTSTER 2004-PRESENT
6	L-3-836B	25263-90	pk-10 GASKETS, CAM GEAR COVER, SPORTSTER 1991-PRESENT
7	A-25586-37	25586-37	each BUSHING, CAM GEAR COVER (1-3-4) SPORTSTER 1952-PRESENT
	A-25586-37+5	25586-37	each BUSHING, CAM GEAR COVER (1-3-4) (.005 O/S) SPORTSTER 1952-P.
	A-25586-37+10	25586-37	each BUSHING, CAM GEAR COVER (1-3-4) (.010 O/S) SPORTSTER 1952-P.
8	A-25588-91	25588-91	each BUSHING, CAM GEAR COVER (#-2) SPORTSTER 1952-PRESENT
9	A-25593-74	25593-74	each BUSHING, CAM GEAR COVER, SPORTSTER 1952-PRESENT
10	A-25598-91	25598-91	each BUSHING, CAM GEAR COVER, SPORTSTER 1952-PRESENT
	A-25598-91+5	25598-91	each BUSHING, CAM GEAR COVER, (.005) SPORTSTER 1952-PRESENT
	A-25598-91+10	25598-91	each BUSHING, CAM GEAR COVER, (.010) SPORTSTER 1952-PRESENT

**\*\*EASTERN MOTORCYCLE PARTS\*\***



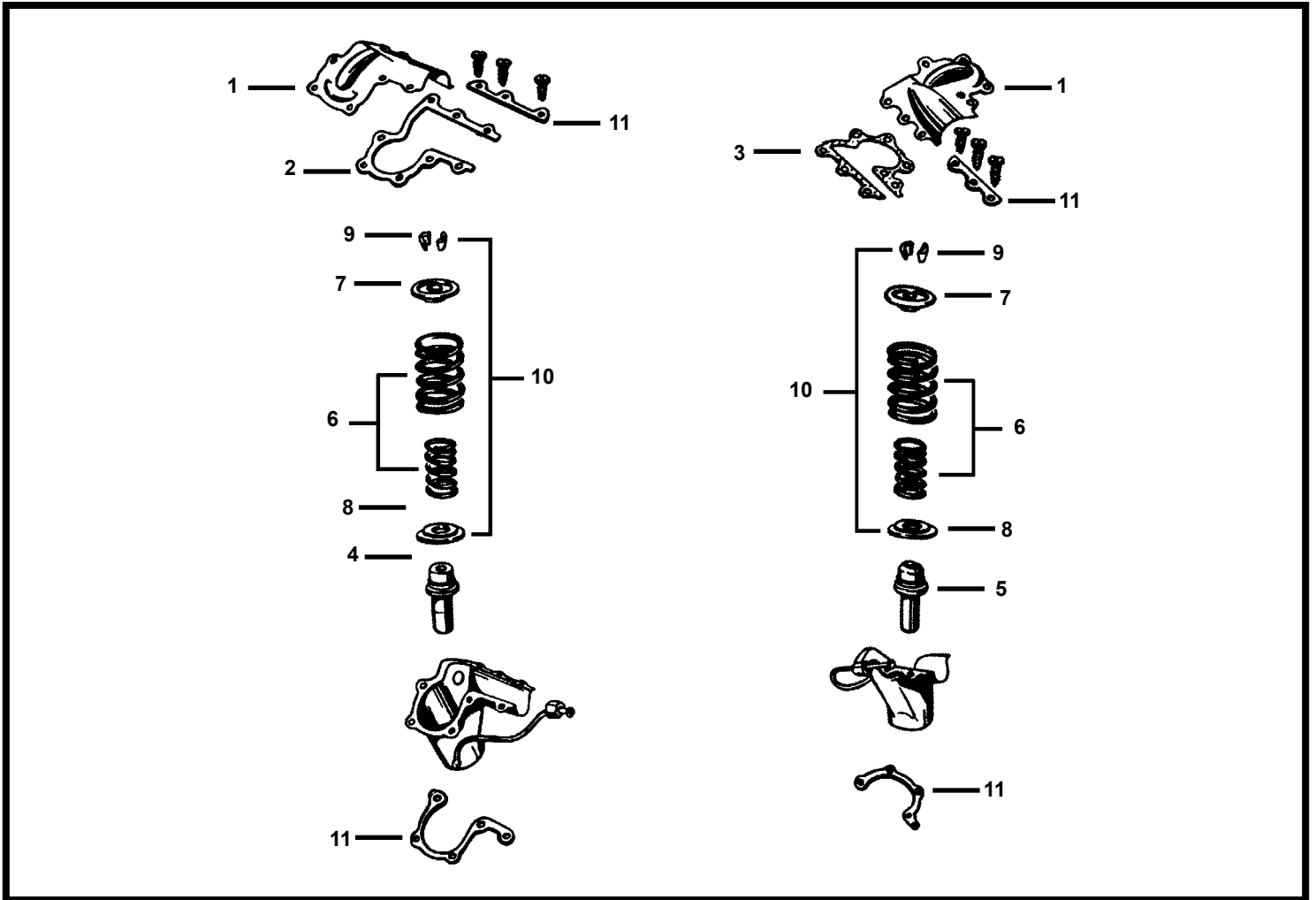
**\*5120 HILDA ROAD\* BLACKVILLE, S.C. 29817\* 803-284-3304\***

# **\*\*EASTERN MOTORCYCLE PARTS\*\***

## **\*\*ROCKER COVER\*\***

**\*\*KNUCKLEHEAD 61" & 74"\*\*\***

**\*\*BIG TWIN 1936-1947\*\***



**\*\*CONTINUED ON NEXT PAGE\*\***

**\*5120 HILDA ROAD\* BLACKVILLE, S.C. 29817\* 803-284-3304\***

**\*Pg 79\***

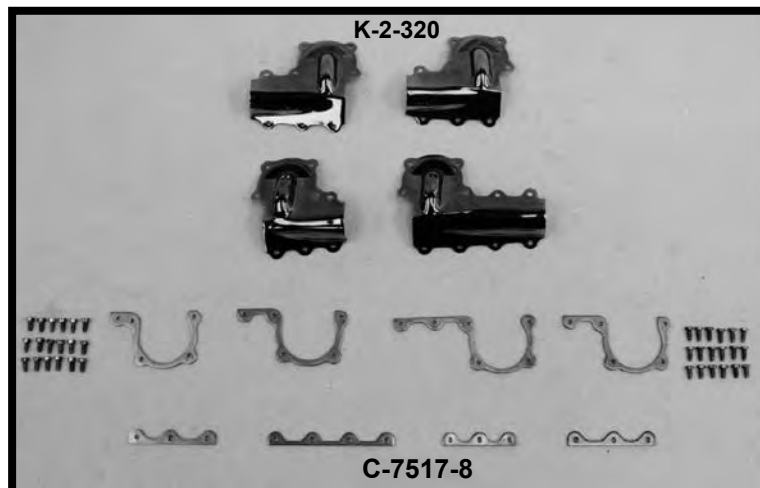
# **\*\*EASTERN MOTORCYCLE PARTS\*\***

## **\*\*ROCKER COVER\*\***

**\*\*KNUCKLEHEAD 61" & 74"\*\*\***

**\*\*BIG TWIN 1936-1947\*\***

<u>DIAGRAM NUMBER</u>	<u>EASTERN NUMBER</u>	<u>REPLACES OEM</u>	<u>DESCRIPTION</u>
1	K-2-320	17525-38 17527-38 17529-38	set-4 ROCKER COVER SET (TINS ONLY) <b>**CHROME**</b> BIG TWIN 1936-1947
	K-2-324	17525-38 17527-38 17529-38	set-4 ROCKER COVER SET (TINS ONLY) <b>**BLACK**</b> BIG TWIN 1936-1947
2	L-3-711	17535-38	pk-10 ROCKER COVER GASKET (FRONT IN & REAR EX) BIG TWIN 1938-1947
3	L-3-713	17537-38	pk-10 ROCKER COVER GASKET (REAR INTAKE) BIG TWIN 1938-1947
4	E-550	18181-36	each VALVE GUIDE, EXHAUST (STD) (.644 OD) <b>** I.D. FINISHED**</b> B/T 1936-'47
	E-551	18182-36	each VALVE GUIDE, EXHAUST (.001) (.645 OD) <b>** I.D. FINISHED**</b> B/T 1936-'47
	E-552	18184-36	each VALVE GUIDE, EXHAUST (.002) (.646 OD) <b>**I.D. NOT FINISHED**</b> B/T 36-'47
	E-553		each VALVE GUIDE, EXHAUST (.004) (.648 OD) <b>**I.D. NOT FINISHED**</b> B/T 36-'47
	E-554		each VALVE GUIDE, EXHAUST (.006) (.650 OD) <b>**I.D. NOT FINISHED**</b> B/T 36-'47
	E-555		each VALVE GUIDE, EXHAUST (.008) (.652 OD) <b>**I.D. NOT FINISHED**</b> B/T 36-'47
	E-556		each VALVE GUIDE, EXHAUST (.010) (.654 OD) <b>**I.D. NOT FINISHED**</b> B/T 36-'47
	E-557		each VALVE GUIDE, EXHAUST (.012) (.656 OD) <b>**I.D. NOT FINISHED**</b> B/T 36-'47
5	E-540	18185-40	each VALVE GUIDE, INTAKE (STD) (.645 OD) <b>** I.D. FINISHED**</b> B/T 1936-'47
	E-541	18186-40	each VALVE GUIDE, INTAKE (.001) (.646 OD) <b>** I.D. FINISHED**</b> B/T 1936-'47
	E-542	18187-40	each VALVE GUIDE, INTAKE (.002) (.647 OD) <b>** I.D. FINISHED**</b> B/T 1936-'47
	E-543		each VALVE GUIDE, INTAKE (.004) (.649 OD) <b>** I.D. FINISHED**</b> B/T 1936-'47
	E-544		each VALVE GUIDE, INTAKE (.006) (.651 OD) <b>**I.D. NOT FINISHED**</b> B/T 36-'47
	E-545		each VALVE GUIDE, INTAKE (.008) (.652 OD) <b>**I.D. NOT FINISHED**</b> B/T 36-'47
	E-546		each VALVE GUIDE, INTAKE (.010) (.655 OD) <b>**I.D. NOT FINISHED**</b> B/T 36-'47
E-547		each VALVE GUIDE, INTAKE (.012) (.657 OD) <b>**I.D. NOT FINISHED**</b> B/T 36-'47	
6	A-18201-36	18203-36 18204-36A	set-4 VALVE SPRINGS, INNER AND OUTER, BIG TWIN 1936-1947
7	A-18221-36	18221-36	set-4 VALVE SPRING COLLARS <b>**UPPER**</b> BIG TWIN 1936-1981
8	A-18222-36	18222-36	set-4 VALVE SPRING COLLARS <b>**LOWER**</b> BIG TWIN 1936-1947
9	A-18228-36	18228-36	set-4 VALVE STEM KEEPERS, BIG TWIN 1937-1984
10	15-0024		VALVE SPRING KIT, WITH COLLARS & KEEPERS, BIG TWIN 1936-1947
11	C-7517-8	17550-38 17554-38 17556-38	ROCKER COVER STRIPS AND GASKETS, <b>**ZIINC**</b> BIG TWIN 1936-1947

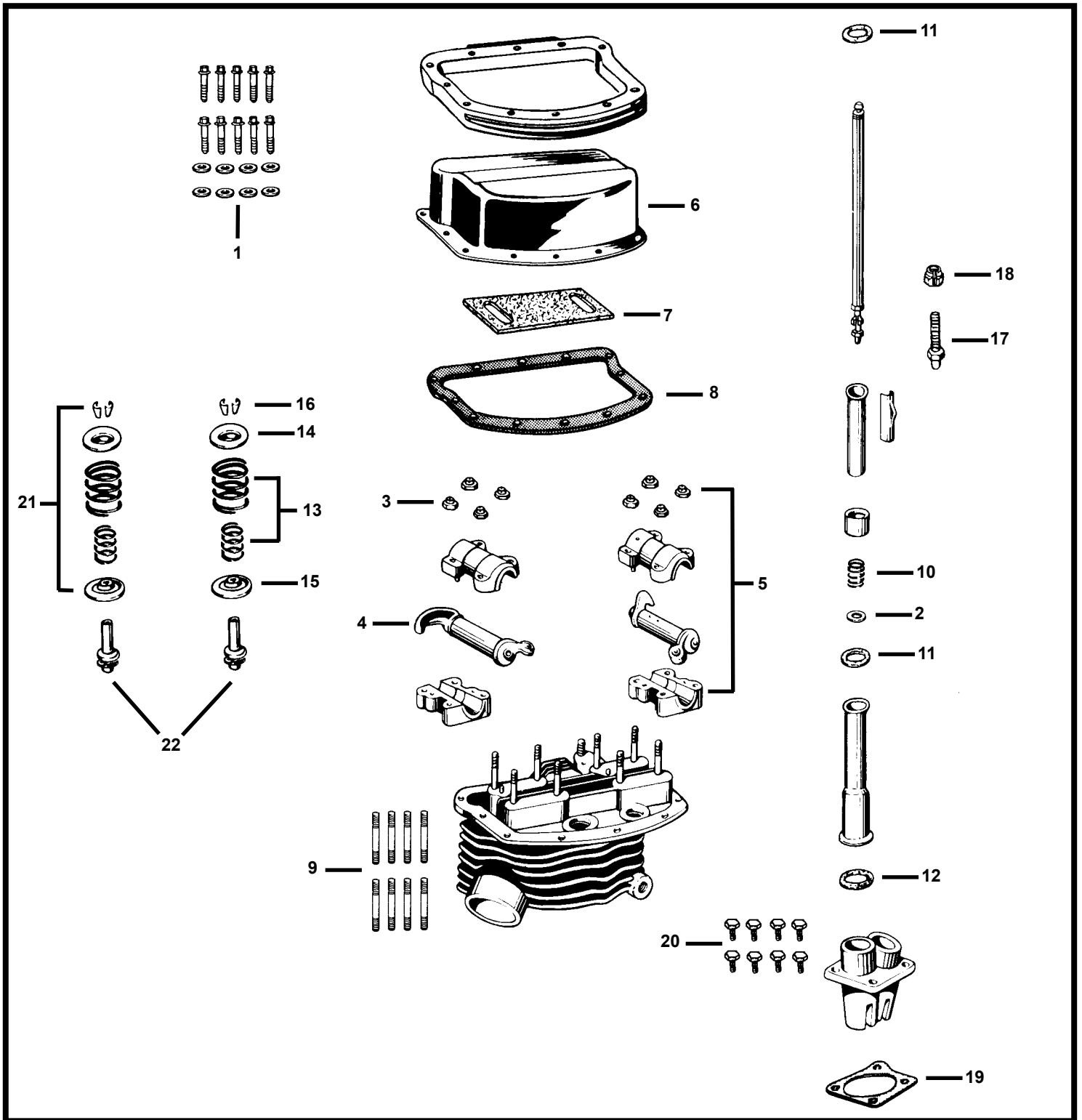


# \*\*EASTERN MOTORCYCLE PARTS\*\*

## \*\*ROCKER COVER\*\*

### \*\*PANHEAD\*\*

### \*\*BIG TWIN 1948-1965\*\*



\*\*CONTINUED ON NEXT PAGE\*\*

\*5120 HILDA ROAD\* BLACKVILLE, S.C. 29817\* 803-284-3304\*

\*Pg 81\*

# **\*\*EASTERN MOTORCYCLE PARTS\*\***

## **\*\*ROCKER COVER\*\***

### **\*\*PAN HEAD\*\***

### **\*\*BIG TWIN 1948-1965\*\***

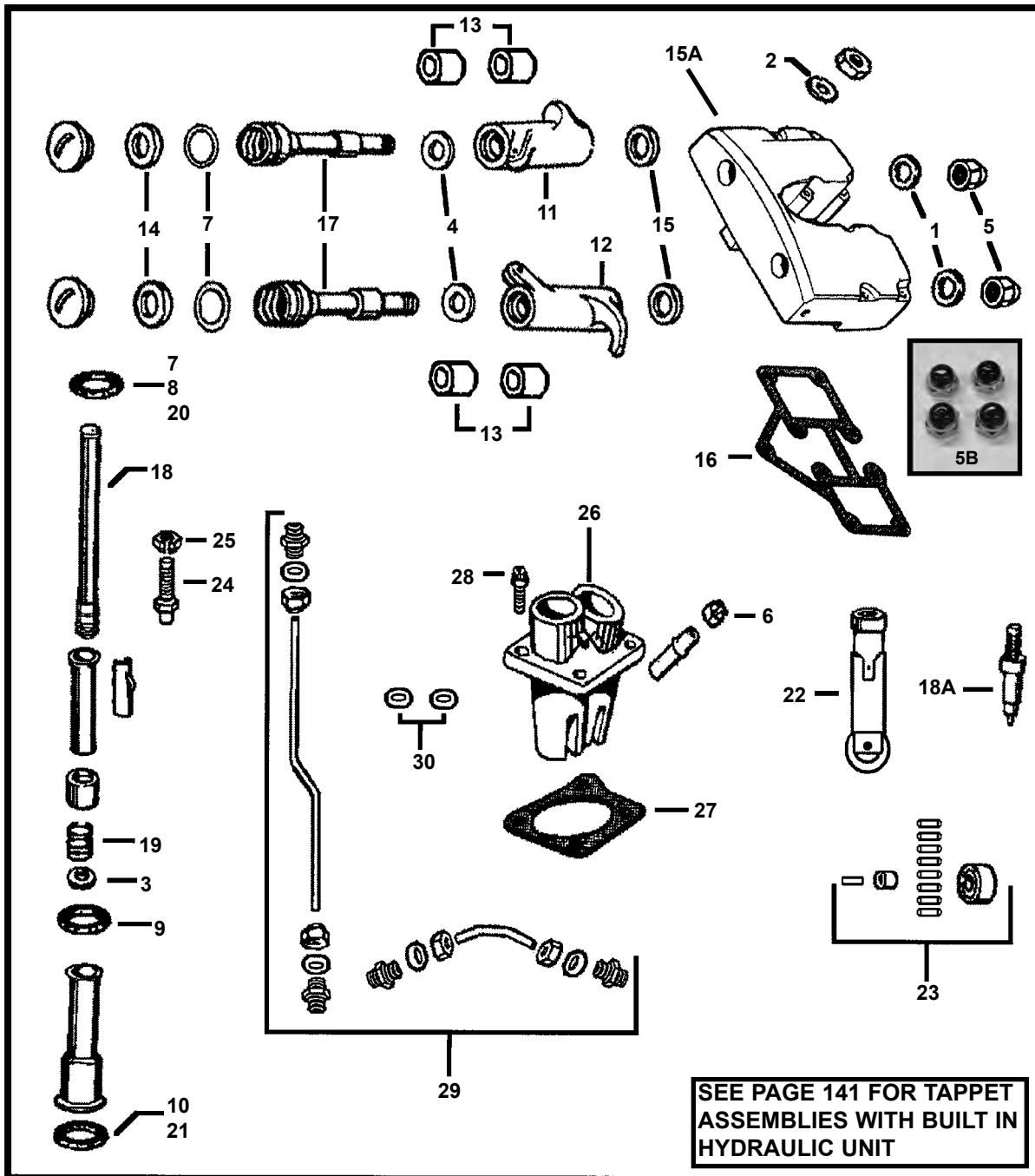
<u>DIAGRAM NUMBER</u>	<u>EASTERN NUMBER</u>	<u>REPLACES OEM</u>		<u>DESCRIPTION</u>
1	A-6150W	6150W	pk-25	WASHER, #-10 X 3/8 X 1/16 THICK, <b>**ZINC PLATED**</b>
2	A-6762B	6762B	pk-10	WASHER, PUSH ROD TUBES, <b>**030 THICK**</b> BIG TWIN 1936-PRES.
3	A-7727	7727	pk-10	NUT, FLEX-LOCK, <b>**5/16-24, 1/2" HEX**</b> BIG TWIN 1948-1965
4	M-4-4580	17360-48	each	ROCKER ARM ( <b>ONLY</b> ) <b>**REAR-EXH., FRONT-INTAKE**</b> B/T 1948-1965
	M-4-4582	17375-48	each	ROCKER ARM ( <b>ONLY</b> ) <b>**FRONT-EXH., REAR-INTAKE**</b> B/T 1948-1965
5	M-4-4585		each	ROCKER ARM, <b>WITH BLOCKS</b> <b>**REAR-EX, FRONT-IN**</b> B/T 1948-1965
	M-4-4587		each	ROCKER ARM, <b>WITH BLOCKS</b> <b>**FRONT-EX, REAR-IN**</b> B/T 1948-1965
6	K-2-765	17500-48A	pair	ROCKER COVERS, <b>**CHROME**</b> BIG TWIN 1948-1965
7	L-3-947	17507-48	pk-10	ROCKER ARM PAD, (FELT) BIG TWIN 1948-1965
8	L-3-944	17541-48	pk-10	GASKETS, ROCKER COVER, (THICK) BIG TWIN 1948-1965
9	A-17647-48	17647-48	set-8	STUDS, ROCKER ARM LOWER BLOCKS, BIG TWIN 1948-1965
10	A-17947-36	17947-36	pk-10	SPRING, PUSH ROD COVER, BIG TWIN 1936-1984
11	L-3-805	17955-36	pk-25	PUSH ROD CORKS, <b>**UPPER**</b> (SMALL) BIG TWIN 1936-1979
12	L-3-806	17955-48	pk-25	PUSH ROD CORKS, <b>**LOWER**</b> (LARGE) BIG TWIN 1948-1979
13	A-18201-57B	18201-57B	set-8	VALVE SPRINGS, <b>**INNER &amp; OUTER**</b> BIG TWIN 1948-1984
		18204-36A		
14	A-18221-36	18221-36	pk-4	VALVE SPRING COLLAR, <b>**UPPER**</b> BIG TWIN 1936-1981
15	A-18222-48	18222-48	pk-4	VALVE SPRING COLLAR, <b>**LOWER**</b> BIG TWIN 1948-1979
16	A-18228-36	18228-36	set-4	VALVE STEM KEEPERS, BIG TWIN 1937-1984
17	A-18555-36	18555-36	pk-4	TAPPET SCREWS, <b>**PUSH ROD**</b> BIG TWIN 1936-1957
	A-18556-57	18556-57	pk-4	TAPPET SCREWS, <b>**PUSH ROD**</b> BIG TWIN 1957-1984
18	A-18570-38	18570-38	pk-10	TAPPET NUTS, <b>**OEM TAPPETS**</b> BIG TWIN 1936-1984
19	L-3-951	18633-48B	pk-10	GASKETS, REAR TAPPET GUIDE, BIG TWIN 1948-1999
	L-3-950	18634-48B	pk-10	GASKETS, FRONT TAPPET GUIDE, BIG TWIN 1948-1999
20	A-18660-53	18660-53	set-8	SCREWS, LIFTER BASE, <b>**1/4-24 THREAD**</b> BIG TWIN 1953-1975
21	15-0028		kit	VALVE SPRING KIT. WITH COLLARS & KEEPERS, BIG TWIN 1948-1979
				<b>**WITH SHOULDER, I.D. NOT FINISHED**</b>
22	E-320	18138-79A	each	VALVE GUIDE, <b>STD, (.566 OD)</b> INT. & EX. BIG TWIN 1948-1979
	E-321		each	VALVE GUIDE, <b>.001, (.567 OD)</b> INT. & EX. BIG TWIN 1948-1979
	E-322	18143-79A	each	VALVE GUIDE, <b>.002, (.568 OD)</b> INT. & EX. BIG TWIN 1948-1979
	E-324	18141-79A	each	VALVE GUIDE, <b>.004, (.570 OD)</b> INT. & EX. BIG TWIN 1948-1979
	E-326	18140-79A	each	VALVE GUIDE, <b>.006, (.572 OD)</b> INT. & EX. BIG TWIN 1948-1979
	E-328	18139-79A	each	VALVE GUIDE, <b>.008, (.574 OD)</b> INT. & EX. BIG TWIN 1948-1979
	E-330		each	VALVE GUIDE, <b>.010, (.576 OD)</b> INT. & EX. BIG TWIN 1948-1979
	E-332		each	VALVE GUIDE, <b>.012, (.578 OD)</b> INT. & EX. BIG TWIN 1948-1979
	E-335		each	VALVE GUIDE, <b>.015, (.581 OD)</b> INT. & EX. BIG TWIN 1948-1979
	E-339		each	VALVE GUIDE, <b>.020, (.586 OD)</b> INT. & EX. BIG TWIN 1948-1979
				<b>**WITH SHOULDER, I.D. FINISHED**</b>
	E-430	18165-48	each	VALVE GUIDE, <b>STD, (.566 OD)</b> INTAKE, BIG TWIN 1948-1979
	E-431	18165-49	each	VALVE GUIDE, <b>.002, (.568 OD)</b> INTAKE, BIG TWIN 1948-1979
	E-432	18167-49	each	VALVE GUIDE, <b>.004, (.570 OD)</b> INTAKE, BIG TWIN 1948-1979
	E-433	18168-49	each	VALVE GUIDE, <b>.006, (.572 OD)</b> INTAKE, BIG TWIN 1948-1979
	E-434	18170-49	each	VALVE GUIDE, <b>.008, (.574 OD)</b> INTAKE, BIG TWIN 1948-1979
	E-435		each	VALVE GUIDE, <b>.010, (.576 OD)</b> INTAKE, BIG TWIN 1948-1979
	E-440	18181-48	each	VALVE GUIDE, <b>STD, (.566 OD)</b> EXHAUST BIG TWIN 1948-1979
	E-441	18183-48	each	VALVE GUIDE, <b>.002, (.568 OD)</b> EXHAUST BIG TWIN 1948-1979
	E-442	18187-51	each	VALVE GUIDE, <b>.004, (.570 OD)</b> EXHAUST BIG TWIN 1948-1979
	E-443	18193-51	each	VALVE GUIDE, <b>.006, (.572 OD)</b> EXHAUST BIG TWIN 1948-1979
	E-444	18194-51	each	VALVE GUIDE, <b>.008, (.574 OD)</b> EXHAUST BIG TWIN 1948-1979
	E-445		each	VALVE GUIDE, <b>.010, (.576 OD)</b> EXHAUST BIG TWIN 1948-1979

# \*\*EASTERN MOTORCYCLE PARTS\*\*

## \*\*ROCKER COVER\*\*

### \*\*SHOVELHEAD\*\*

### \*\*BIG TWIN 1966-1984\*\*



**DIAGRAM  
NUMBER**

1

**EASTERN  
NUMBER**

A-6001  
A-6466W  
C-3017-100

**REPLACES  
OEM**

6001  
6466W  
6466W

**DESCRIPTION**

pk-25 WASHER, 7/16" X 3/4" X 1/32" THICK, **\*\*BLACK\*\***  
 pk-25 WASHER, (STEEL) 7/16" X 3/4" X 1/64" THICK, **\*\*ZINC PLATED\*\***  
 pk-100 WASHER, (STEEL) 7/16" X 3/4" X 1/64" THICK, **\*\*CHROME PLATED\*\***

**\*\*CONTINUED ON NEXT PAGE\*\***

# \*\*EASTERN MOTORCYCLE PARTS\*\*

## \*\*ROCKER COVER\*\*

### \*\*SHOVELHEAD\*\*

### \*\*BIG TWIN 1966-1984\*\*

DIAGRAM NUMBER	EASTERN NUMBER	REPLACES OEM	DESCRIPTION
2	A-6002	6002	pk-25 WASHER, 5/16" X 5/8" X 1/16" THICK, <b>**BLACK**</b>
	A-6016	6016	pk-25 WASHER, (STEEL) 11/32" X 11/16" X 1/16" THICK, <b>**ZINC PLATED**</b>
	A-6316HW	6316HW	pk-25 WASHER, (STEEL) 5/16" X 5/8" X 1/16" THICK, <b>**ZINC PLATED**</b>
	A-6702	6702	pk-25 WASHER, (STEEL) 5/16" X 11/16" X 1/16" THICK, <b>**ZINC PLATED**</b>
3	A-6762B	6762B	pk-10 WASHER,PUSH ROD TUBES/CORK(.030 THICK),B/T 1936-PRES
	A-6767		pk-10 SHIMS,(+.007) ROCKER ARM SHAFT *SPECIAL*,BIG TWIN 1966-1984
4	A-6767A		pk-10 SHIMS,(+.005) ROCKER ARM SHAFT *SPECIAL*,BIG TWIN 1966-1984
	A-6767B		pk-10 SHIMS,(+.015) ROCKER ARM SHAFT *SPECIAL*,BIG TWIN 1966-1984
5	A-7872		<b>**DISCONTINUED, USE 44-0312**</b> NUT, ROCKER SHAFT <b>**W /RED END**</b>
	A-7872B		<b>**DISCONTINUED, USE 44-0315**</b> NUT, ROCKER SHAFT <b>**W /BLACK END*</b>
5B	* 44-0312	7872	pk-4 NUT, ROCKER SHAFT, <b>**CHROME W/ACRYLIC RED END**</b> B/T 1966-1984
	* 44-0315	7872B	pk-4 NUT, ROCKER SHAFT, <b>**CHROME W/BLACK END**</b> B/T 1966-1984
6	A-10014	10014	pk-25 HOSE CLAMPS, (17/32" I.D.) <b>**OIL-GAS LINES**</b>
7	A-11101	11101	pk-10 O-RING, ROCKER ARM SHAFT END, BIG TWIN 1966-1984
	A-11101-X	11101-X	pk-10 O-RING, ROCKER ARM SHAFT END, ( <b>OVERSIZE</b> ) BIG TWIN 1966-1984
8	A-11118	11118	pk-10 QUAD SEALS, PUSHROD COVER (UPPER), BIG TWIN 1981-1984
9	A-11132	11132	pk-10 O-RING, PUSHROD COVER (MIDDLE), BIG TWIN 1979-PRESENT
10	A-11133A	11133A	pk-10 QUAD SEALS, PUSHROD COVER (LOWER), BIG TWIN 1979-1984
11	M-4-4570	17360-66A	each ROCKER ARM, REAR EXHAUST-FRONT INTAKE, BIG TWIN 1966-1984
12	M-4-4572	17375-66A	each ROCKER ARM, FRONT EXHAUST-REAR INTAKE, BIG TWIN 1966-1984
13	A-17428-57	17428-57	pk-4 BUSHINGS, ROCKER ARMS(660)*SOLID BRONZE*, B/T 1966-PRES.
	A-17428-57A		pk-4 BUSHINGS, ROCKER ARMS, <b>**SPLIT-OEM STYLE**</b> , B/T 1966-PRES.
14	A-17450-73	17450-73	pk-10 WASHER, ROCKER ARM SHAFTS, BIG TWIN 1973-1981
15	A-17452-66	17452-66	pk-4 SPACER, ROCKER ARM SHAFTS**TOP END** , BIG TWIN 1966-1984
15A	M-4-4535	17516-77B	set-2 ROCKER ARM COVERS, (FRONT & REAR) <b>**BLACK**</b> B/T 1966-1984
	M-4-4536	17518-80	set-2 ROCKER ARM COVERS, (FRONT & REAR) <b>**CHROME**</b> B/T 1966-1984
16	L-3-940	17540-69	pk-10 GASKETS, ROCKER ARM COVER <b>**015 THICK**</b> ,BIG TWIN 1966-1984
17	M-4-4533	17611-66B	each SHAFT, ROCKER ARMS <b>**MADE IN U.S.A.**</b> , BIG TWIN 1966-1984
18	A-17904-66	17904-66	each PUSH ROD, W/SCREW & NUT <b>**ASSEMBLY**</b> , BIG TWIN 1966-1984
18A	A-17920-53A	17920-53A	each HYDRAULIC UNIT, BIG TWIN 1953-1984
19	A-17947-36	17947-36	pk-10 SPRINGS, PUSH ROD COVER, BIG TWIN 1936-1984
20	L-3-805	17955-36	pk-25 CORKS, UPPER PUSHROD <b>**SMALL**</b> , BIG TWIN 1936-1979
21	L-3-806	17955-48	pk-25 CORKS, LOWER PUSHROD <b>**LARGE**</b> , BIG TWIN 1948-1979
22	A-18522-53A	18522-53A	each TAPPET ASSEMBLY, (STD/.730 O.D.) W/OUT HYDRAULIC,B/T 1953-'84
	A-18522-78		each TAPPET ASSEMBLY, (+.005/.735 O.D.) W/OUT HYDRAULIC,B/T 1953-'84
	A-18522-79		each TAPPET ASSEMBLY, (+.010/.740 O.D.) W/OUT HYDRAULIC,B/T 1953-'84
	A-18522-80		each TAPPET ASSEMBLY, (+.015/.745 O.D.) W/OUT HYDRAULIC,B/T 1953-'84
	A-18522-90		each TAPPET ASSEMBLY, (+.020/.750 O.D.) W/OUT HYDRAULIC,B/T 1953-'84
	A-18522-91		each TAPPET ASSEMBLY, (+.025/.755 O.D.) W/OUT HYDRAULIC,B/T 1953-'84
	A-18522-92		each TAPPET ASSEMBLY, (+.030/.760 O.D.) W/OUT HYDRAULIC,B/T 1953-'84
	A-18522-93		each TAPPET ASSEMBLY, (+.035/.765 O.D.) W/OUT HYDRAULIC,B/T 1953-'84
	A-18522-94		each TAPPET ASSEMBLY, (+.040/.770 O.D.) W/OUT HYDRAULIC,B/T 1953-'84
	23	A-18534-29A	18534-29A
A-18534-29B			pk-4 TAPPET ROLLERS, <b>**IMPORTED**</b> IKO, BIG TWIN 1929-1984
A-18534-87		18545-29	pk-10 TAPPET PINS <b>**ONLY**</b> BIG TWIN 1930-PRESENT
24	A-18556-57	18556-57	pk-4 TAPPET SCREWS, <b>**PUSHRODS**</b> , BIG TWIN 1957-1984
25	A-18570-38	18570-38	pk-10 TAPPET NUTS, <b>**OEM- TAPPETS**</b> , BIG TWIN 1936-1984
26	A-18610-BLK		pair TAPPET GUIDE, <b>FRONT &amp; REAR **BLACK**</b> BIG TWIN 1966-1984
	A-18610-CHR		pair TAPPET GUIDE, <b>FRONT &amp; REAR **CHROME**</b> BIG TWIN 1966-1984
27	L-3-951	18633-48B	pk-10 GASKETS, TAPPET GUIDE (REAR), BIG TWIN 1948-1999
	L-3-950	18634-48B	pk-10 GASKETS, TAPPET GUIDE (FRONT), BIG TWIN 1948-1999
28	A-18660-53	18660-53	set-8 SCREWS, LIFTER BASE (ZINC) <b>**1/4-20 THREAD**</b> B/T L/1953-1975
29	O-6-017	62783-66A	kit OIL LINES, ROCKER BOX/ CASE <b>**CHROME STEEL**</b> B/T 1966-1984
	62785-66A		kit OIL LINES, ROCKER BOX/ CASE <b>**CHROME STEEL**</b> B/T 1966-1984
30	L-3-942	63529-57	pk-10 OIL LINE, RUBBER SLEEVE (SEAL), BIG TWIN 1966-1984



# \*\*EASTERN MOTORCYCLE PARTS\*\*

## \*\*ROCKER COVER\*\*

### \*\*EVOLUTION\*\*

### \*\*BIG TWIN 1984-1999\*\*

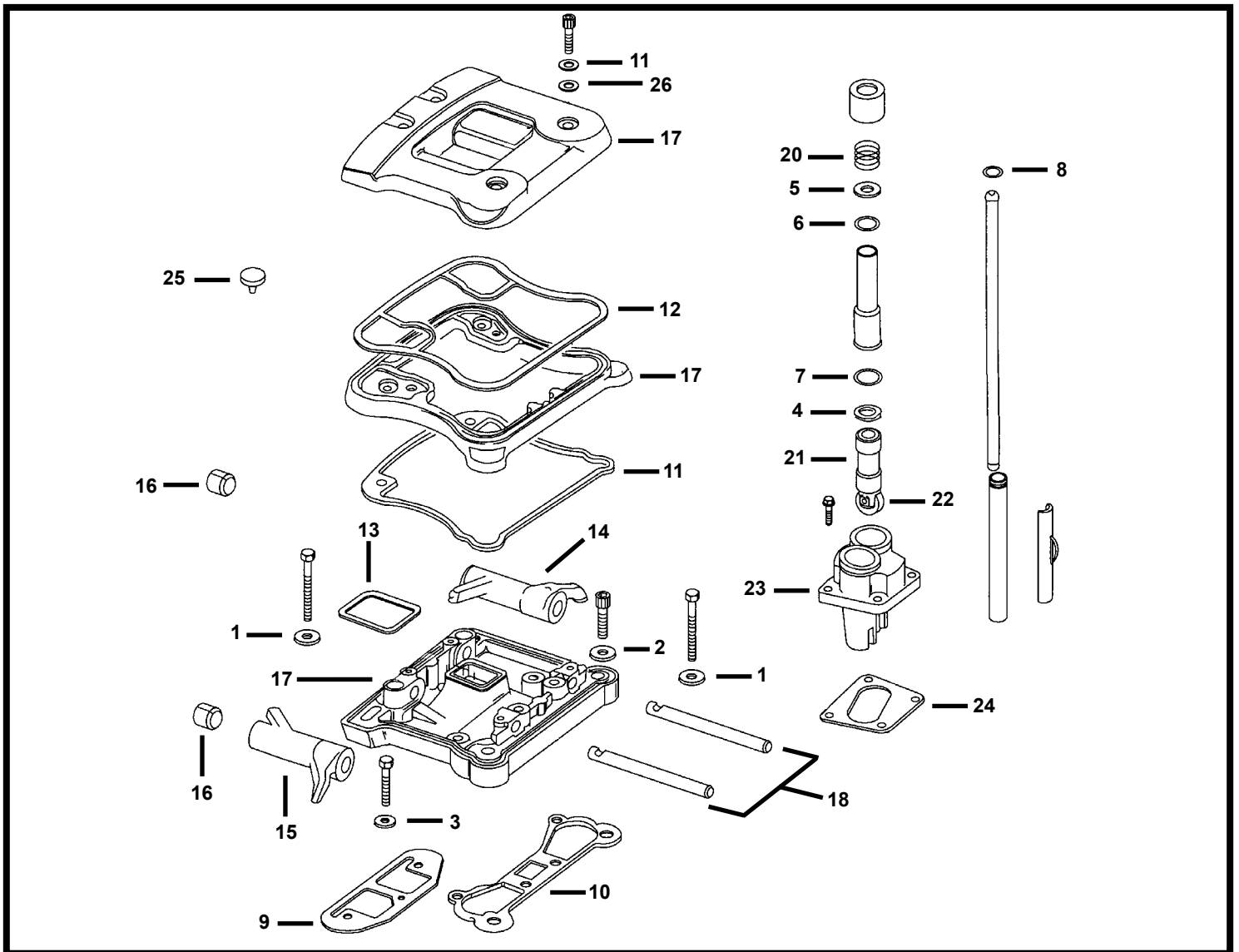


DIAGRAM NUMBER	EASTERN NUMBER	REPLACES OEM	DESCRIPTION
1	A-6016	6016	pk-25 WASHER **11/32 X 11/16 X 1/16" THICK** (ZINC PLATED)
2	A-6099	6099	pk-25 WASHER **1/4 X 7/16 X 1/16" THICK** (ZINC PLATED)
3	A-6736	6736	pk-25 WASHER **9/32 X 5/8 X 1/16" THICK** (ZINC PLATED)
4	A-6737	6737	pk-25 WASHER **57/64 X 1-3/64 X 1/32" THICK** (ZINC PLATED)
5	A-6762B	6762B	pk-10 WASHER, INNER PUSHROD TUBES, BIG TWIN 1936-PRESENT
6	A-11132	11132	pk-10 O-RINGS, PUSHROD COVER (MIDDLE) BIG TWIN 1979-PRESENT
7	A-11145	11145	pk-10 O-RINGS, TAPPET GUIDES, BIG TWIN 1984-PRESENT
8	A-11157	11157	pk-10 O-RINGS, PUSHROD COVER (UPPER) BIG TWIN 1984-2006

**\*\*CONTINUED ON NEXT PAGE\*\***

**\*5120 HILDA ROAD\* BLACKVILLE, S.C. 29817\* 803-284-3304\***

**\*Pg 85\***

# **\*\*EASTERN MOTORCYCLE PARTS\*\***

## **\*\*ROCKER COVER\*\***

### **\*\*EVOLUTION\*\***

### **\*\*BIG TWIN 1984-1999\*\***

<u>DIAGRAM NUMBER</u>	<u>EASTERN NUMBER</u>	<u>REPLACES OEM</u>	<u>DESCRIPTION</u>
9	L-3-515	16778-84A	pk-10 GASKET, CYLINDER HEAD (RIGHT) <b>**W/OUT SILICONE*</b> BIG TWIN-84-99
10	L-3-517	16779-84A	pk-10 GASKET, CYLINDER HEAD (LEFT) <b>**W/OUT SILICONE**</b> BIG TWIN-84-'99
11	L-3-530	17355-84	pk-5 GASKET, ROCKER COVER (LOWER) <b>**CORK**</b> BIG TWIN 1984-1991
	47-1025	17355-84A	pk-5 GASKET, ROCKER COVER (LOWER) <b>**RUBBER**</b> BIG TWIN 1984-1991
	47-1040	17355-92	pk-5 GASKET, ROCKER COVER (LOWER) <b>**RUBBER**</b> BIG TWIN 1992-1999
12	L-3-532	17356-84	pk-5 GASKET, ROCKER COVER (UPPER) <b>**CORK**</b> BIG TWIN 1984-1991
	47-1030	17356-84A	pk-5 GASKET, ROCKER COVER (UPPER) <b>**RUBBER**</b> BIG TWIN 1984-1991
13	L-3-535	17358-84	pk-10 GASKET, ROCKER COVER (INNER) <b>**CORK**</b> BIG TWIN 1984-1999
	47-1035	17358-84A	pk-10 GASKET, ROCKER COVER (INNER) <b>**RUBBER**</b> BIG TWIN 1984-1999
14	M-4-4574	17360-83	each ROCKER ARM, REAR EXHAUST-FRONT INTAKE, BIG TWIN 1984-PRES.
15	M-4-4576	17375-83	each ROCKER ARM, FRONT EXHAUST-REAR INTAKE, BIG TWIN 1984-PRES.
16	A-17428-57	17428-57	pk-4 BUSHINGS, ROCKER ARMS <b>**660 BRONZE**</b> BIG TWIN 1966-PRESENT
	A-17428-57A	17428-57	pk-4 BUSHINGS, ROCKER ARMS <b>**SPLIT OEM STYLE**</b> BIG TWIN 1966-P.
*	V-13-247	17429-91	pk-4 BUSHINGS, ROCKER ARMS <b>**SPLIT OEM STYLE**</b> BIG TWIN 1991-2018, SPORTSTER 1991-2018
17	M-4-4528	17510-84	set-2 ROCKER ARM COVERS, W/GASKETS <b>**CHROME**</b> BIG TWIN 1984-1991
		17528-84A 17530-84B	<b>SETS INCLUDE: #-9, 10, 11, 12, 13, 17</b>
18	M-4-4531	17611-83	each ROCKER ARM SHAFTS, BIG TWIN 1984-PRESENT
	M-4-4532	17611-83	each ROCKER ARM SHAFTS, <b>**0.005 O/S**</b> BIG TWIN 1984-PRESENT
20	A-17947-36	17947-36	pk-10 SPRINGS, PUSHROD COVER, BIG TWIN 1936-PRESENT
21	19-0230	18523-86B	each TAPPETS <b>**STD** (WITH HYDRAULIC UNIT)</b> BIG TWIN 1984-1999
	A-18523-86	18523-86	each TAPPETS <b>**STD** (SOLID STYLE)</b> BIG TWIN 1984-1999 <b>**EASTERNS**</b>
	A-18523-88		each TAPPETS <b>**0.005** (SOLID STYLE)</b> BIG TWIN 1984-1999 <b>**EASTERNS**</b>
	A-18523-91		each TAPPETS <b>**0.010** (SOLID STYLE)</b> BIG TWIN 1984-1999 <b>**EASTERNS**</b>
22	A-18534-83		set-4 TAPPET ROLLERS, BIG TWIN 1984-1999
	A-18534-87	18545-29	pk-10 TAPPET ROLLER PINS, BIG TWIN 1930-1999
23	A-18609-CHR	18540-83	pair TAPPET GUIDES <b>**CHROME**</b> BIG TWIN 1984-1999
		18542-83	
24	L-3-951	18633-48B	pk-10 GASKETS, TAPPET GUIDES (REAR) BIG TWIN 1948-1999
	L-3-950	18634-48B	pk-10 GASKETS, TAPPET GUIDES (FRONT) BIG TWIN 1948-1999
25	A-26856-89	26856-89	pk-10 UMBRELLA VALVE, ROCKER COVER, BIG TWIN 1993-1999
26	A-63858-49	63858-49	pk-10 WASHER, ROCKER COVERS <b>**FIBER**</b> BIG TWIN 1985-1999

### **\*\*ROCKER COVER GASKET SETS\*\***

L-3-336	17038-90	set	GASKET SET, TOP ROCKER COVERS <b>**RUBBER**</b> BIG TWIN 1984-1991
L-3-337	17042-92	set	GASKET SET, TOP ROCKER COVERS <b>**RUBBER**</b> BIG TWIN 1992-1999

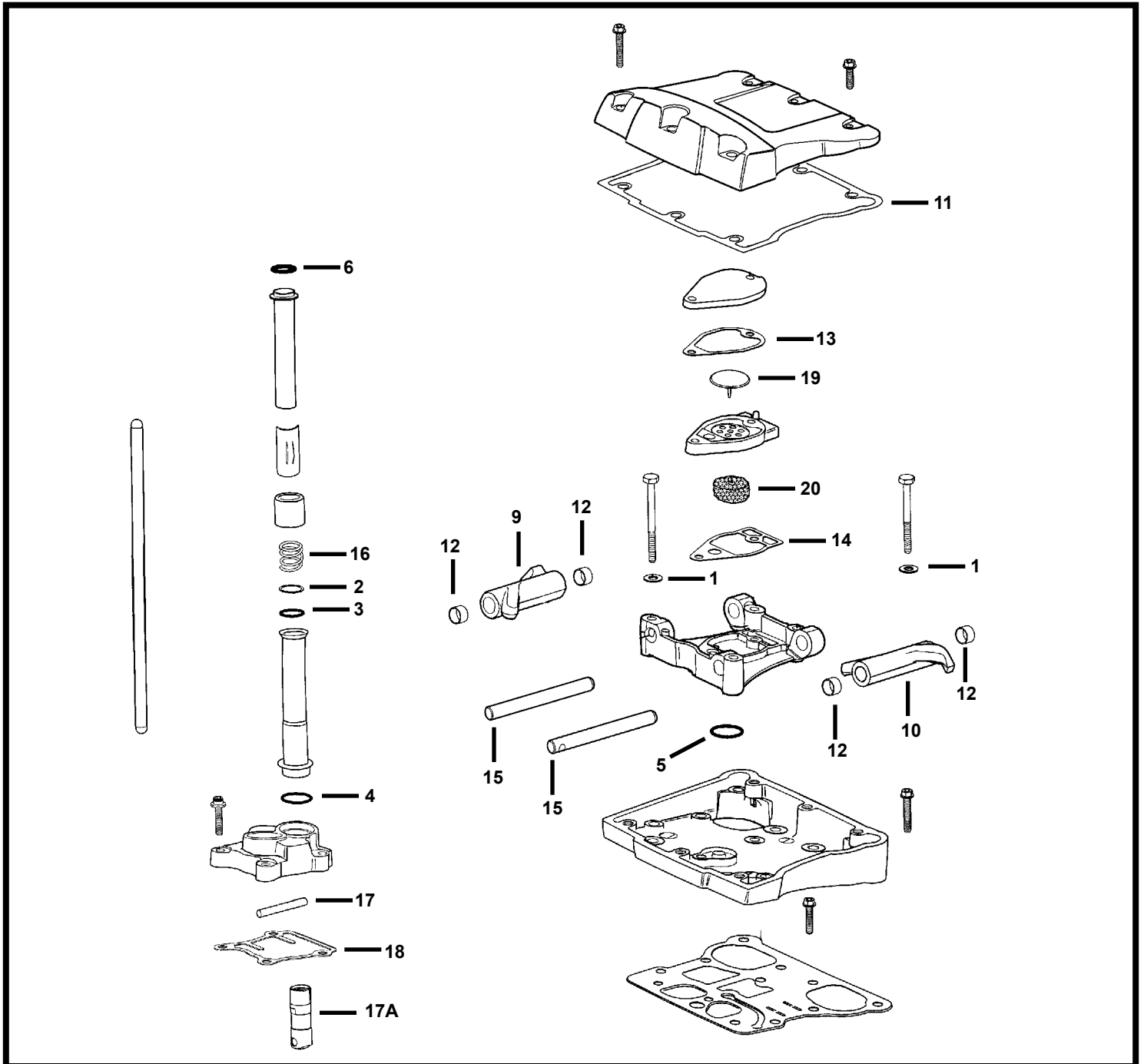


# **\*\*EASTERN MOTORCYCLE PARTS\*\***

## **\*\*ROCKER COVER\*\***

**\*\*1450/1550 C/C\*\***

**\*\*BIG TWIN 2000-PRESENT\*\***



**\*\*CONTINUED ON NEXT PAGE\*\***

**\*5120 HILDA ROAD\* BLACKVILLE, S.C. 29817\* 803-284-3304\***

**\*Pg 87\***

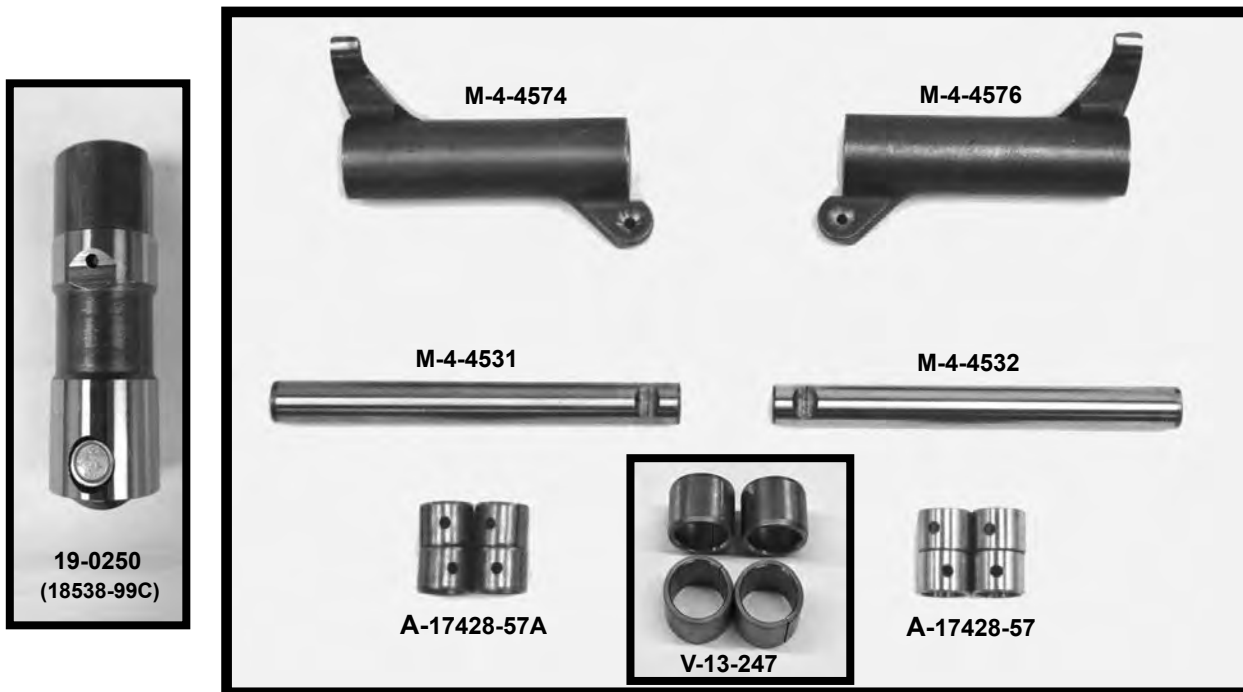
# **\*\*EASTERN MOTORCYCLE PARTS\*\***

## **\*\*ROCKER COVER\*\***

**\*\*1450/1550 C/C\*\***

**\*\*BIG TWIN 2000-PRESENT**

<u>DIAGRAM NUMBER</u>	<u>EASTERN NUMBER</u>	<u>REPLACES OEM</u>	<u>DESCRIPTION</u>
1	A-6016	6016	pk-25 WASHER **11/32 X 11/16 X 1/16 THICK** (ZINC PLATED)
2	A-6762B	6762B	pk-10 WASHER, PUSH ROD TUBES, BIG TWIN 1936-PRESENT
3	A-11132	11132	pk-10 O-RING, PUSHROD COVER (MIDDLE) BIG TWIN 1979-PRESENT
4	A-11145	11145	pk-10 O-RING, TAPPET GUIDES, BIG TWIN 1984-PRESENT
5	A-11270	11270	pk-10 O-RING, ROCKER ARM SUPPORT, BIG TWIN 1999-PRESENT
6	A-11293	11293	pk-10 O-RING, UPPER PUSH ROD COVER, BIG TWIN 1999-PRESENT
7			
8			
9	M-4-4574	17360-83A	each ROCKER ARM, **REAR EXHAUST-FRONT INT.** BIG TWIN 1984-PRES.
10	M-4-4576	17375-83A	each ROCKER ARM, **FRONT EXHAUST-REAR INT.** BIG TWIN 1984-PRES.
11	47-1005	17386-99	pk-10 GASKET, ROCKER COVER **TOP** BIG TWIN 1999-PRES.
12	A-17428-57		pk-4 BUSHINGS, ROCKER ARMS **SOLID BRONZE** BIG TWIN 1966-PRES.
	A-17428-57A	17428-57A	pk-4 BUSHINGS, ROCKER ARMS **SPLIT OEM STYLE** BIG TWIN 1966-PRES
	* V-13-247	17429-91	pk-4 BUSHINGS, ROCKER ARMS **SPLIT OEM STYLE** BIG TWIN 1991-2018 SPORTSTER 1991-2018
13	47-0239	17591-99	pk-10 GASKET, BREATHER COVER, BIG TWIN 1999-PRESENT
14	47-0243	17592-99	pk-10 GASKET, BREATHER BAFFLE, BIG TWIN 1999-2006
15	M-4-4531	17611-83	each SHAFT, ROCKER ARMS, BIG TWIN 1984-PRESENT
	M-4-4532		each SHAFT, ROCKER ARMS, **.005 O/S** BIG TWIN 1984-PRESENT
16	A-17947-36	17947-36	pk-10 SPRING, PUSH ROD COVER, BIG TWIN 1936-PRESENT
17	A-18535-99	18535-99	pk-10 PIN, ANTI-ROTATION, BIG TWIN 2000-PRESENT
17A	19-0250	18538-99C	each TAPPETS **STD** (WITH HYDRAULIC UNIT) BIG TWIN 1999-PRESENT
18	47-0281	18635-99	pk-10 GASKET, LIFTER COVER, BIG TWIN 1999-PRESENT
19	A-26858-99	26858-99	pk-10 UMBRELLA VALVE, BAFFLE BREATHER, BIG TWIN 1999-2010
20	A-63815-99	63815-99	pk-10 FILTER ELEMENT, BREATHER BAFFLE, BIG TWIN 1999-PRESENT



# \*\*EASTERN MOTORCYCLE PARTS\*\*

## \*\*ROCKER COVER\*\*

\*\*900 C/C AND 1000 C/C\*\*

\*\*SPORTSTER 1954-1985\*\*

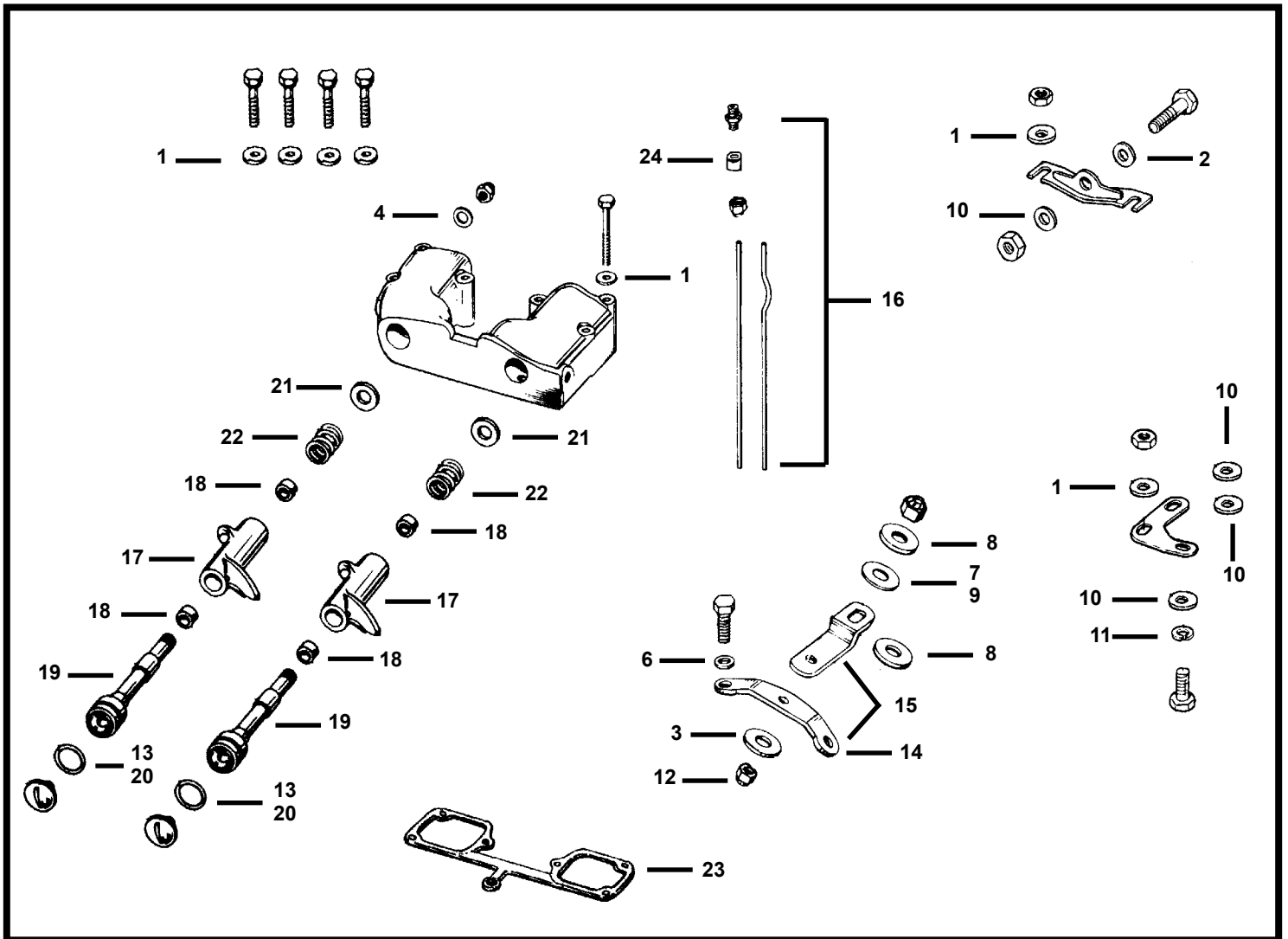


DIAGRAM NUMBER	EASTERN NUMBER	REPLACES OEM	DESCRIPTION
1	A-6002	6002	pk-25 WASHERS **5/16 X 5/8 X 1/16 THICK** (BLACK PHOSPHATE)
	A-6016	6016	pk-25 WASHERS **1/2 X 1-3/16 X 1/16 THICK** (ZINC PLATED)
	A-6316HW	6316HW	pk-25 WASHERS **5/16 X 5/8 X 1/16 THICK** (ZINC PLATED)
	A-6324W	6324W	pk-25 WASHERS **5/16 X 11/16 X 3/32 THICK** (ZINC PLATED)
2	A-6333	6333	pk-25 WASHERS **5/16 X 7/8 X 5/64 THICK** (ZINC PLATED)
3	A-6417W	6417W	pk-25 WASHERS **3/8 X 1-1/8 X 1/8 THICK** (ZINC PLATED)
4	A-6466W	6466W	pk-25 WASHERS **7/16 X 3/4 X 1/64 THICK** (ZINC PLATED)
5	A-6469HW	6469HW	pk-25 WASHERS **7/16 X 3/4 X 1/8 THICK** (ZINC PLATED)
6	A-6495HW	6495HW	pk-25 WASHERS **7/16 X 15/16 X 1/8 THICK** (ZINC PLATED)
7	A-6521W	6521W	pk-25 WASHERS **7/16 X 1-1/8 X 3/32 THICK** (ZINC PLATED)
8	A-6522HB	6522HB	pk-25 WASHERS **7/16 X 1-1/8 X 5/32 THICK** (ZINC PLATED)

\*\*CONTINUED ON NEXT PAGE\*\*

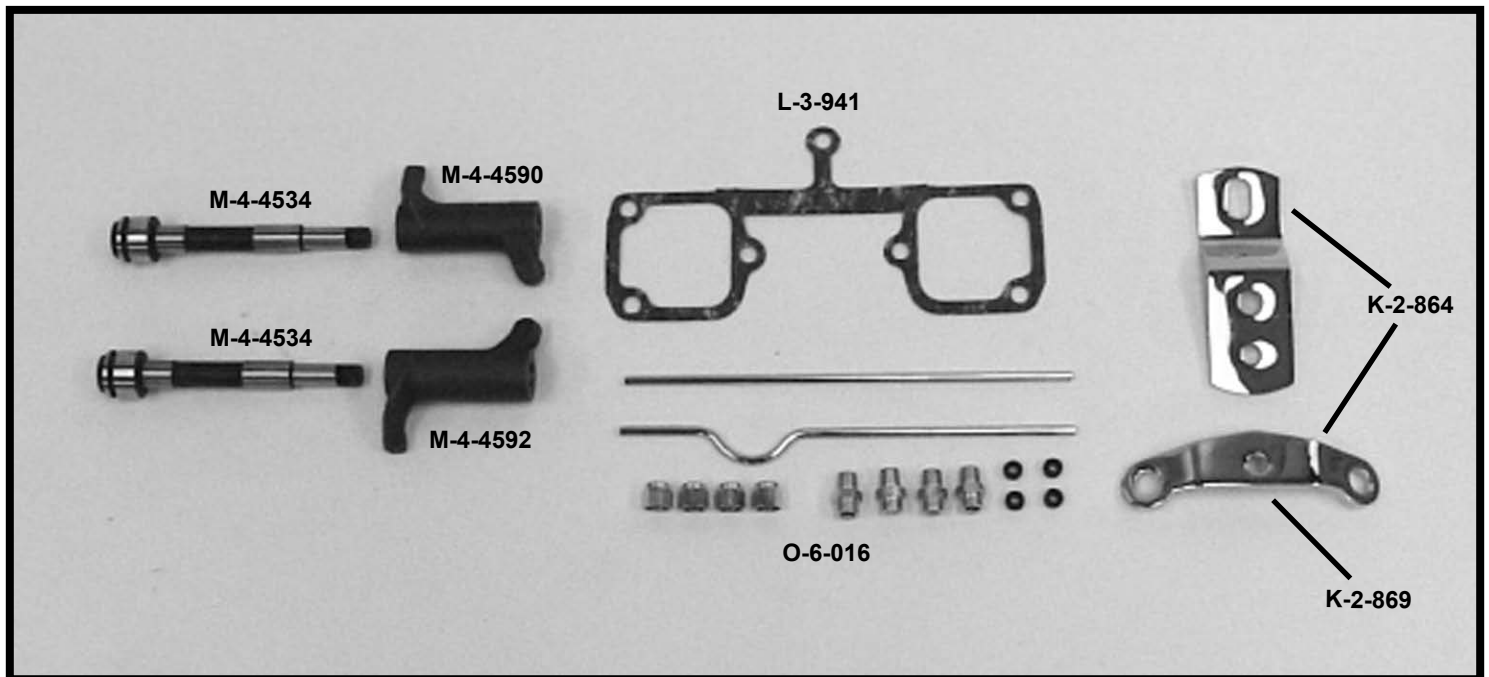
# **\*\*EASTERN MOTORCYCLE PARTS\*\***

## **\*\*ROCKER COVER\*\***

**\*\*900 C/C AND 1000 C/C\*\***

**\*\*SPORTSTER 1954-1985\*\***

<u>DIAGRAM NUMBER</u>	<u>EASTERN NUMBER</u>	<u>REPLACES OEM</u>	<u>DESCRIPTION</u>
9	A-6524W	6524W	pk-25 WASHERS **7/16 X 1-1/8 X 1/32 THICK** (ZINC PLATED)
10	A-6702	6702	pk-25 WASHERS **5/16 X 11/16 X 1/16 THICK** (ZINC PLATED)
11	36-0214	7041	pk-100 LOCK WASHERS, **REGULAR 5/16** (ZINC PLATED)
12	35-0532	7775	pk-10 NYLOCK NUT, **3/8-24, 9/16 HEX** CADMIUM
13	A-11101	11101	pk-10 O-RINGS, ROCKER ARM SHAFT, SPORTSTER 1957-1985
	A-11101X	11101X	pk-10 O-RINGS, ROCKER ARM SHAFT <b>**OVERSIZE**</b> SPORT. 1957-1985
14	K-2-869	16250-57	each MOUNTING BRACKET <b>**CHROME**</b> SPORTSTER 1957-1985
15	K-2-864	16250-57 16251-58	set-2 TOP MOTOR MOUNT <b>**CHROME**</b> SPORTSTER 1957-1976
16	O-6-016	17324-57B	kit OIL LINES, ROCKER BOX TO CASE <b>**CHROME**</b> SPORT. 1957-1969 HAS (1) STRAIGHT PIPE & (1) BENT PIPE AS PICTURED
	O-6-018	17324-57B	kit OIL LINES, ROCKER BOX TO CASE <b>**CHROME**</b> SPORT. 1957-1985 HAS (2) STRAIGHT PIPES
	O-6-009	17324-57B	set-2 OIL LINES TO ROCKER COVER <b>**BRAIDED**</b> (NOT SHOWN) SPORTSTER 1957-1985
17	M-4-4590	17394-57A	each ROCKER ARMS <b>**FRONT EXHAUST**</b> SPORTSTER 1957-1985
	M-4-4591	17395-57A	each ROCKER ARMS <b>**REAR EXHAUST**</b> SPORTSTER 1957-1985
	M-4-4592	17396-57A	each ROCKER ARMS <b>**FRONT INTAKE**</b> SPORTSTER 1957-1985
	M-4-4593	17397-57A	each ROCKER ARMS <b>**REAR INTAKE**</b> SPORTSTER 1957-1985
18	A-17428-57	17428-57	pk-4 BUSHINGS, ROCKER ARMS <b>**SOLID BRONZE**</b> SPORTSTER 1957-P.
	A-17428-57A	17428-57	pk-4 BUSHINGS, ROCKER ARMS <b>**SPLIT STYLE**</b> SPORTSTER 1957-P.
19	M-4-4534	17435-57B	each SHAFT, ROCKER ARM, SPORTSTER 1957-1985 <b>**U.S.A.**</b>
20	A-17450-73	17450-73	pk-10 WASHER, ROCKER ARM SHAFTS, SPORTSTER 1973-1981
21	A-17451-57	17451-57	pk-10 SPACER, ROCKER ARM SHAFTS, SPORTSTER 1957-1985
22	A-17483-57	17483-57	pk-10 SPRINGS, ROCKER ARM SHAFTS, SPORTSTER 1957-1985
23	L-3-941	17536-70	pk-10 GASKETS, ROCKER ARM COVER, SPORTSTER 1957-1985
24	L-3-942	63529-57	pk-10 RUBBER SLEEVE, OIL LINES, SPORTSTER 1957-1985

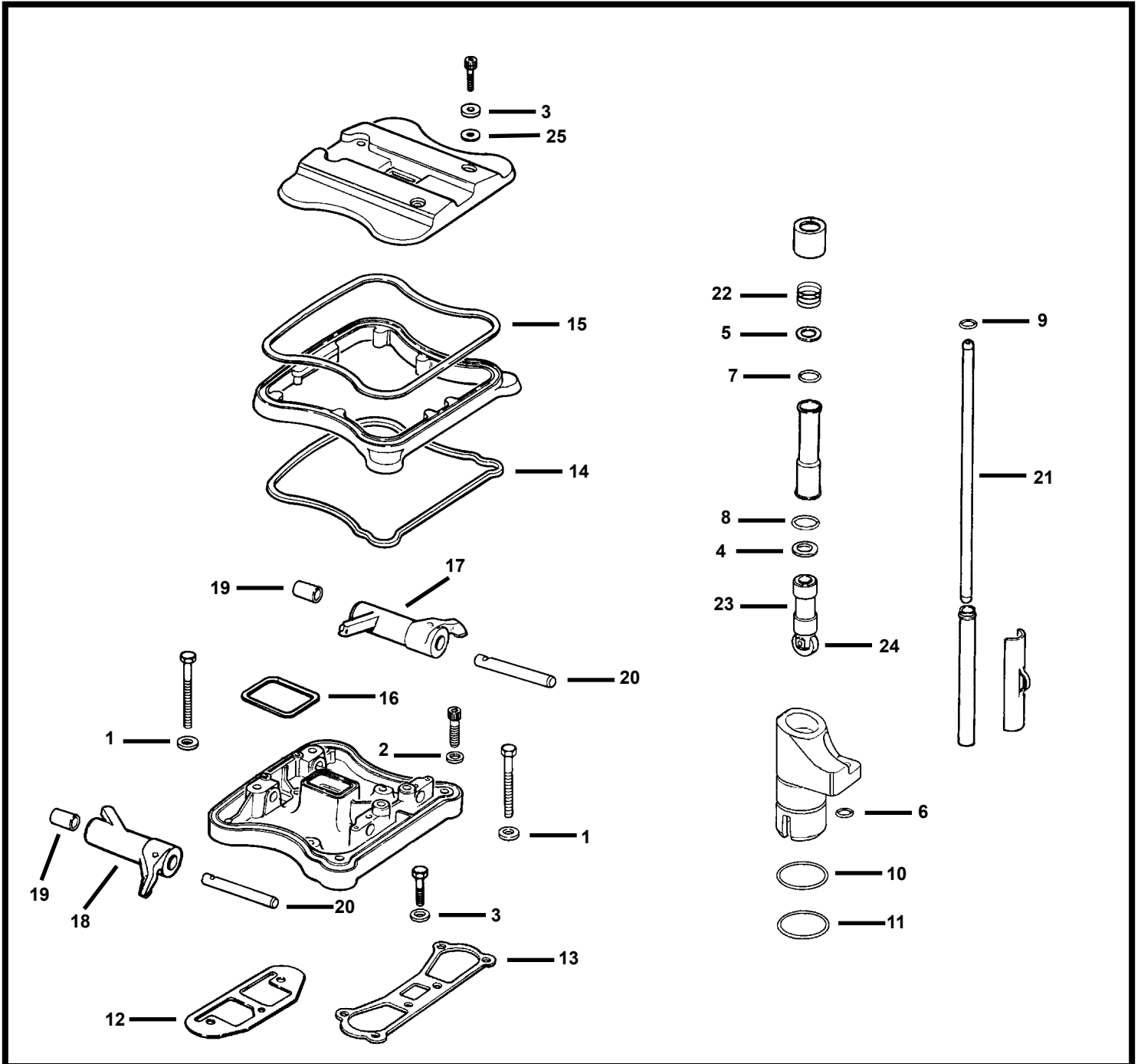


# \*\*EASTERN MOTORCYCLE PARTS\*\*

## \*\*ROCKER COVER\*\*

### \*\*EVOLUTION\*\*

### \*\*SPORTSTER 1986-1990\*\*



\*\*CONTINUED ON NEXT PAGE\*\*

\*5120 HILDA ROAD\* BLACKVILLE, S.C. 29817\* 803-284-3304\*

\*Pg 91\*

# **\*\*EASTERN MOTORCYCLE PARTS\*\***

## **\*\*ROCKER COVER\*\***

### **\*\*EVOLUTION\*\***

#### **\*\*SPORTSTER 1986-1990\*\***

<u>DIAGRAM NUMBER</u>	<u>EASTERN NUMBER</u>	<u>REPLACES OEM</u>	<u>DESCRIPTION</u>
1	A-6016	6016	pk-25 WASHER **11/32 X 11/16 X 1/16" THICK** (ZINC PLATED)
2	A-6099	6099	pk-25 WASHER **1/4 X 7/16 X 1/16" THICK** (ZINC PLATED)
3	A-6736	6736	pk-25 WASHER **9/32 X 5/8 X 1/16" THICK** (ZINC PLATED)
4	A-6737	6737	pk-25 WASHER **57/64 X 1-3/64 X 1/32" THICK** (ZINC PLATED)
5	A-6762B	6762B	pk-10 WASHER, INNER PUSHROD TUBES, SPORTSTER 1986-1990
6	A-11110	11110	pk-10 O-RINGS, TAPPET GUIDES **883 & 1100 C/C** SPORTSTER 1986-1990
7	A-11132	11132	pk-10 O-RINGS, PUSHROD COVER (MIDDLE) SPORTSTER 1986-1990
8	A-11145	11145	pk-10 O-RINGS, TAPPET GUIDES, SPORTSTER 1986-1990
9	A-11157	11157	pk-10 O-RINGS, PUSHROD COVER (UPPER) SPORTSTER 1986-2006
10	A-11167	11167	pk-10 O-RINGS, TAPPET GUIDES (UPPER) SPORTSTER 1986-1990
11	A-11168	11168	pk-10 O-RINGS, TAPPET GUIDES(LOWER) SPORTSTER 1986-1990
12	L-3-515	16778-84A	pk-10 GASKET, CYLINDER HEAD (RIGHT) <b>**W/OUT SILICONE**</b> SP. 1986-02
13	L-3-517	16779-84A	pk-10 GASKET, CYLINDER HEAD (LEFT) <b>**W/OUT SILICONE**</b> SPORT. 1986-02
14	L-3-525	17353-86	pk-5 GASKET, ROCKER COVER (LOWER) <b>**CORK**</b> SPORTSTER 1986-1990
15	L-3-527	17354-86	pk-5 GASKET, ROCKER COVER (UPPER) <b>**CORK**</b> SPORTSTER 1986-1990
16	L-3-535	17358-84	pk-10 GASKET, ROCKER COVER (INNER) <b>**CORK**</b> SPORTSTER 1986-2006
	47-1035	17358-84A	pk-10 GASKET, ROCKER COVER (INNER) <b>**RUBBER**</b> SPORTSTER 1986-1990
17	M-4-4574	17360-83	each ROCKER ARM, REAR EXHAUST-FRONT INTAKE, SPORTSTER 1986-P.
18	M-4-4576	17375-83	each ROCKER ARM, FRONT EXHAUST-REAR INTAKE, SPORTSTER 1986-P.
19	A-17428-57	17428-57	pk-4 BUSHINGS, ROCKER ARMS <b>**660 BRONZE**</b> SPORTSTER 1957-PRES.
	A-17428-57A	17428-57	pk-4 BUSHINGS, ROCKER ARMS <b>**OEM STYLE**</b> SPORTSTER 1957-PRES.
20	M-4-4531	17611-83	each ROCKER ARM SHAFTS, SPORTSTER 1986-PRESENT
	M-4-4532	17611-83	each ROCKER ARM SHAFTS, <b>**005 O/S**</b> SPORTSTER 1986-PRESENT
21	75-0320	17896-86	set-4 PUSHRODS <b>**4130 CHROME MOLY**</b> SPORTSTER 1986-1990 <b>**CRANE**</b>
		17897-86	
		17904-86	
		17918-87	
22	A-17947-36	17947-36	pk-10 SPRINGS, PUSHROD COVER, SPORTSTER 1986-1990
23	19-0230	18523-86B	each TAPPETS <b>**STD** (WITH HYDRAULIC UNIT)</b> BIG TWIN 1984-1999
	A-18523-86	18523-86	each TAPPETS <b>**STD** (SOLID STYLE)</b> SPORTSTER 1986-1990 <b>**EASTERNS**</b>
	A-18523-88		each TAPPETS <b>**005** (SOLID STYLE)</b> SPORTSTER 1986-1990 <b>**EASTERNS**</b>
	A-18523-91		each TAPPETS <b>**010** (SOLID STYLE)</b> SPORTSTER 1986-1990 <b>**EASTERNS**</b>
24	A-18534-83		set-4 TAPPET ROLLERS, SPORTSTER 1986-1990
	A-18534-87	18545-29	pk-10 TAPPET ROLLER PINS, SPORTSTER 1986-1990
25	A-63858-49	63858-49	pk-10 WASHER, ROCKER COVERS <b>**FIBER**</b> SPORTSTER 1971-PRESENT

#### **\*\*ROCKER COVER GASKET SETS\*\***

L-3-338 17039-90 set GASKET SET, TOP ROCKER COVERS **\*\*RUBBER\*\*** SPORTSTER 1986-'90

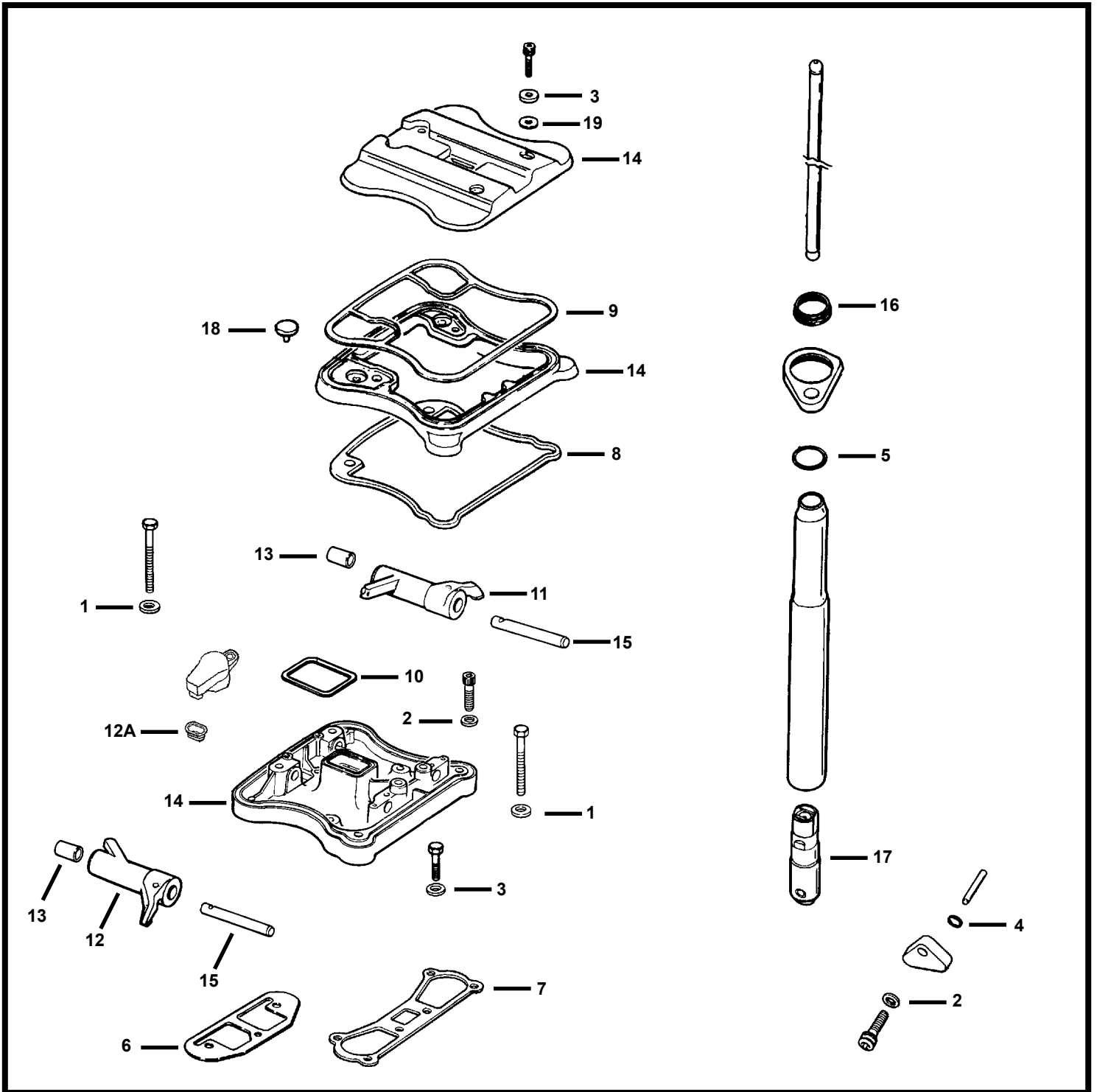


# \*\*EASTERN MOTORCYCLE PARTS\*\*

## \*\*ROCKER COVER\*\*

### \*\*EVOLUTION\*\*

### \*\*SPORTSTER 1991-PRESENT\*\*



\*\*CONTINUED ON NEXT PAGE\*\*

\*5120 HILDA ROAD\* BLACKVILLE, S.C. 29817\* 803-284-3304\*

\*Pg 93\*

# **\*\*EASTERN MOTORCYCLE PARTS\*\***

## **\*\*ROCKER COVER\*\***

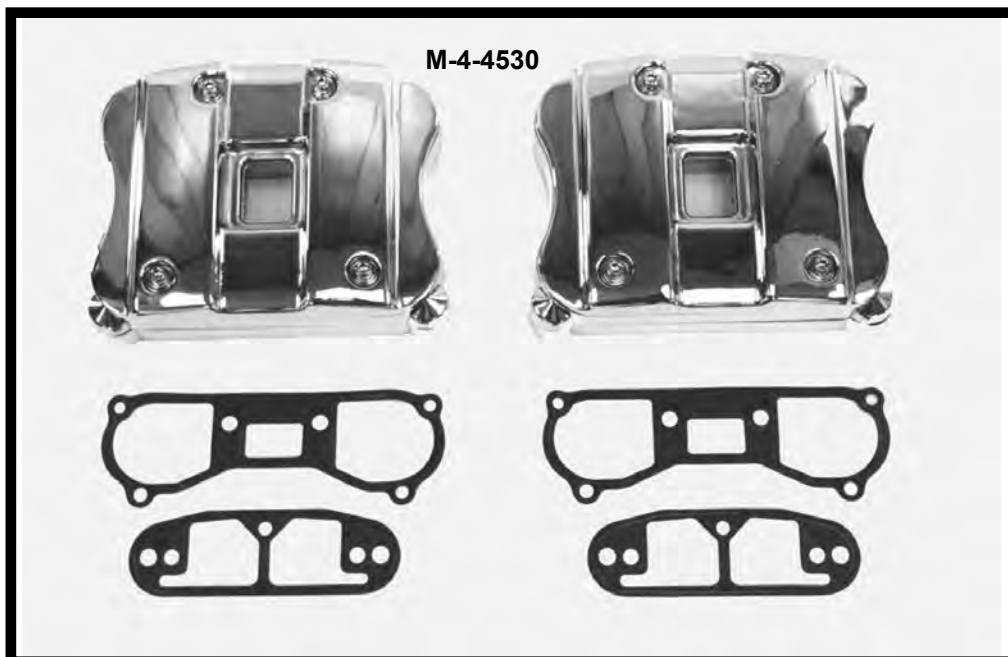
### **\*\*EVOLUTION\*\***

### **\*\*SPORTSTER 1991-PRESENT\*\***

<u>DIAGRAM NUMBER</u>	<u>EASTERN NUMBER</u>	<u>REPLACES OEM</u>	<u>DESCRIPTION</u>
1	A-6016	6016	pk-25 WASHER **11/32 X 11/16 X 1/16" THICK** (ZINC PLATED)
2	A-6099	6099	pk-25 WASHER **1/4 X 7/16 X 1/16" THICK** (ZINC PLATED)
3	A-6736	6736	pk-25 WASHER **9/32 X 5/8 X 1/16" THICK** (ZINC PLATED)
4	A-11176	11176	pk-10 O-RING, TAPPET COVER, SPORTSTER 1991-PRESENT
5	A-11190	11190	pk-10 O-RING, PUSHROD COVER (UPPER) SPORTSTER 1991-PRESENT
6	L-3-515	16778-84A	pk-10 GASKET, CYLINDER HEAD (RIGHT) **W/OUT SILICONE** SP. 1986-2002
7	L-3-517	16779-84A	pk-10 GASKET, CYLINDER HEAD (LEFT) **W/OUT SILICONE** SPORT. 1986-02
8	47-1015	17353-89	pk-5 GASKET, ROCKER COVER (LOWER) **RUBBER** SPORTSTER 1986-P.
9	47-1020	17354-89	pk-5 GASKET, ROCKER COVER (UPPER) **RUBBER** SPORTSTER 1986-P.
10	L-3-535	17358-84	pk-10 GASKET, ROCKER COVER (INNER) **CORK** SPORTSTER 1986-2006
	47-1035	17358-84A	pk-10 GASKET, ROCKER COVER (INNER) **RUBBER** SPORTSTER 1986-P.
11	M-4-4574	17360-83	each ROCKER ARM, REAR EXHAUST-FRONT INTAKE, SPORTSTER 1986-P.
12	M-4-4576	17375-83	each ROCKER ARM, FRONT EXHAUST-REAR INTAKE, SPORTSTER 1986-P.
12A	44-0500	17393-07	pk-10 SEALS, ROCKER BREATHER, (RUBBER) SPORTSTER 2007-PRESENT
13	A-17428-57	17428-57	pk-4 BUSHINGS, ROCKER ARMS **660 BRONZE** SPORTSTER 1957-PRES.
	A-17428-57A	17428-57	pk-4 BUSHINGS, ROCKER ARMS **OEM STYLE** SPORTSTER 1957-PRES.
14	M-4-4530	17501-86B	set-2 ROCKER COVERS, WITH GASKETS **CHROME** SPORTSTER 1991-P.
		17532-86B	
		17933-90A	<b>SETS INCLUDE: #-6, 7, 8, 9, 10, 14</b>
15	M-4-4531	17611-83	each ROCKER ARM SHAFTS, SPORTSTER 1986-PRESENT
	M-4-4532	17611-83	each ROCKER ARM SHAFTS, **.005 O/S** SPORTSTER 1986-PRESENT
16	A-17944-89	17944-89	pk-10 O-RING/SEAL, PUSHROD COVER (LOWER) SPORTSTER 1991-PRESENT
17	19-0240	18526-89A	each TAPPETS **STD** (WITH HYDRAULIC UNIT) SPORTSTER 1991-1998
	19-0250	18538-99C	each TAPPETS **STD** (WITH HYDRAULIC UNIT) SPORTSTER 2000-PRES.
18	A-26856-89	26856-89	pk-10 UMBRELLA VALVE, ROCKER COVER, SPORTSTER 1991-PRESENT
19	A-63858-49	63858-49	pk-10 WASHER, ROCKER COVERS **FIBER** SPORTSTER 1971-PRESENT

### **\*\*ROCKER COVER GASKET SETS\*\***

L-3-339 17036-91 set GASKET SET, TOP ROCKER COVERS \*\*RUBBER\*\* SPORTSTER 1991-P.

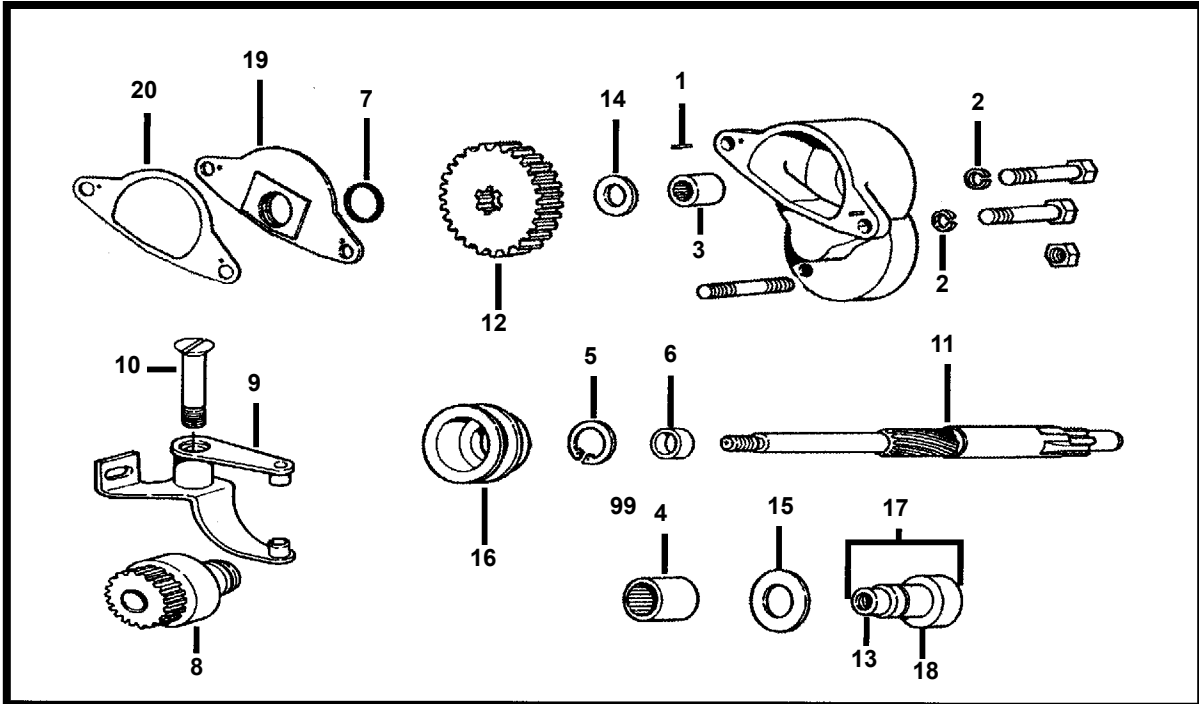


# \*\*EASTERN MOTORCYCLE PARTS\*\*

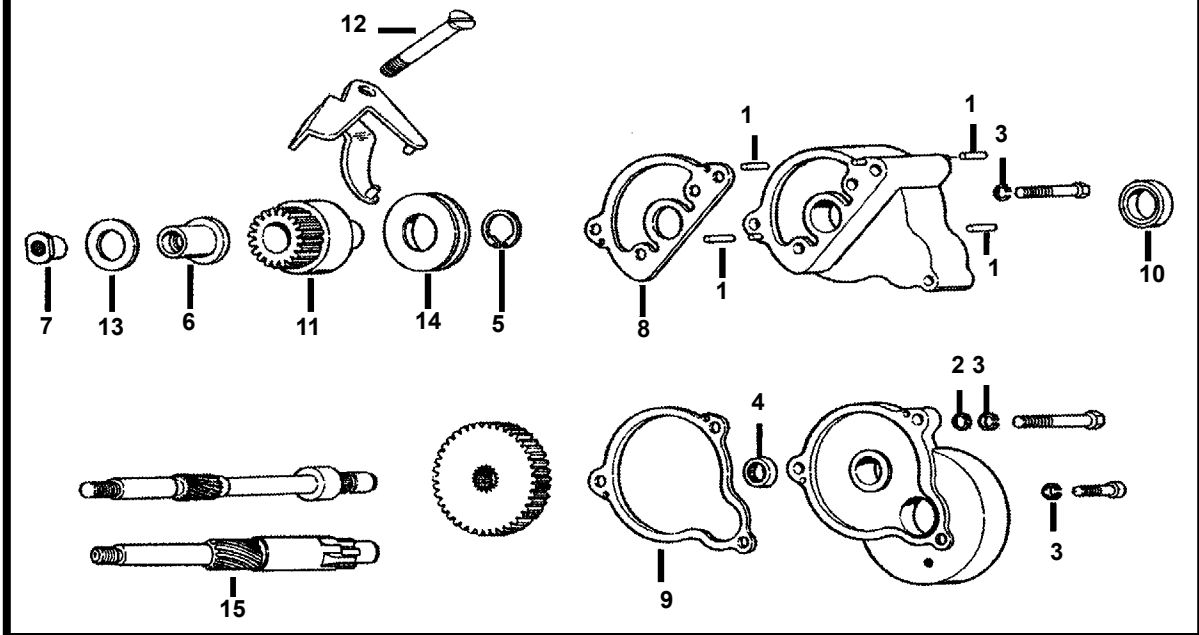
## \*\*STARTER SHAFT\*\*

\*\*4-SPEED\*\*

\*\*BIG TWIN 1965-1988\*\*



### BIG TWIN 1982-1988



\*\*CONTINUED ON NEXT PAGE\*\*

# **\*\*EASTERN MOTORCYCLE PARTS\*\***

## **\*\*STARTER SHAFT\*\***

**\*\*4-SPEED\*\***

**\*\*BIG TWIN 1965-1988\*\***

**\*\*BIG TWIN 1965-1982\*\***

<u>DIAGRAM NUMBER</u>	<u>EASTERN NUMBER</u>	<u>REPLACES OEM</u>	<u>DESCRIPTION</u>
1	A-334A	334A	pk-25 ROLL PINS, 1/8 X 3/8" LONG
2	36-0198	7036	pk-100 LOCK WASHERS, REGULAR 1/4" <b>**ZINC PLATED**</b>
3	A-9062	9062	each BEARING,STARTER MOTOR HOUSING (TORRINGTON),B/T 1965-1988
4	A-9063	9063	each BEARING, OUTER CHAIN HOUSING (TORRINGTON), B/T 1965-1988
5	A-11039	11039	pk-10 RETAINING RING, STARTER COLLAR, BIG TWIN 1965-1988
6	A-11041	11041	pk-5 SPACER, STARTER SHAFT HOUSING, BIG TWIN 1965-1985
7	A-11101	11101	pk-10 O-RING, ROCKER ARM SHAFT END, BIG TWIN 1966-1984
	A-11101-X	11101	pk-10 O-RING, ROCKER ARM SHAFT END <b>**OVERSIZE**</b> BIG TWIN 1966-'84
8	A-31443-65A	31443-65A	each BENDIX DRIVE GEAR, (U.S.A.) <b>**5-ROLLER**</b> , BIG TWIN 1965-1988
	A-31443-65T	31443-65A	each BENDIX DRIVE GEAR, (IMPORTED) <b>**5-ROLLER*</b> BIG TWIN 1965-1988
9	A-31445-65	31445-65A	each SHIFTER LEVER, STARTER GEAR, BIG TWIN 1965-1982
10	A-31478-65A	31478-65A	pk-5 PIVOT BOLT, BENDIX LEVER, BIG TWIN 1965-1984
11	A-31482-65	31482-65	each STARTER JACK-SHAFT, BIG TWIN 1965-1969
	A-31482-70	31482-70	each STARTER JACK-SHAFT, BIG TWIN 1970-1984
12	A-31485-65	31485-65	each GEAR, STARTER SHAFT, BIG TWIN 1965-1984
13	A-31493-67	31493-67	each NUT, STARTER SHAFT, <b>**LEFT-HAND THREAD**</b> , BIG TWIN 1965-1988
14	A-31501-65	31501-65	pk-5 THRUST WASHER,STARTER SHAFT *BRONZE*,BIG TWIN 1965-1971
15	A-31502-65	31502-65	pk-5 THRUST WASHER,STARTER SHAFT *BRONZE*,BIG TWIN 1965-1988
16	A-31503-65	31503-65	each SHIFTER COLLAR, STARTER SHAFT, BIG TWIN 1965-1984
	A-31503-70	31503-70	each SHIFTER COLLAR, STARTER SHAFT, BIG TWIN 1970-1982
17	A-31530-65	31530-65	kit NUT & SPACER KIT,STARTER SHAFT / PRIMARY,BIG TWIN 1965-1982
			<b>KIT INCLUDES: (1) 31493-67, (1) 31531-69</b>
18	A-31531-69	31531-69	each SPACER, STARTER SHAFT TO PRIMARY, BIG TWIN 1965-1982
19	A-60516-65A	60516-65A	each OIL DEFLECTOR, STARTER HOUSING (MADE IN USA), B/T 1965-1982
20	L-3-914	60559-80	pk-10 GASKET, OIL DEFLECTOR PLATE(4-SPEED), BIG TWIN 1980-1982

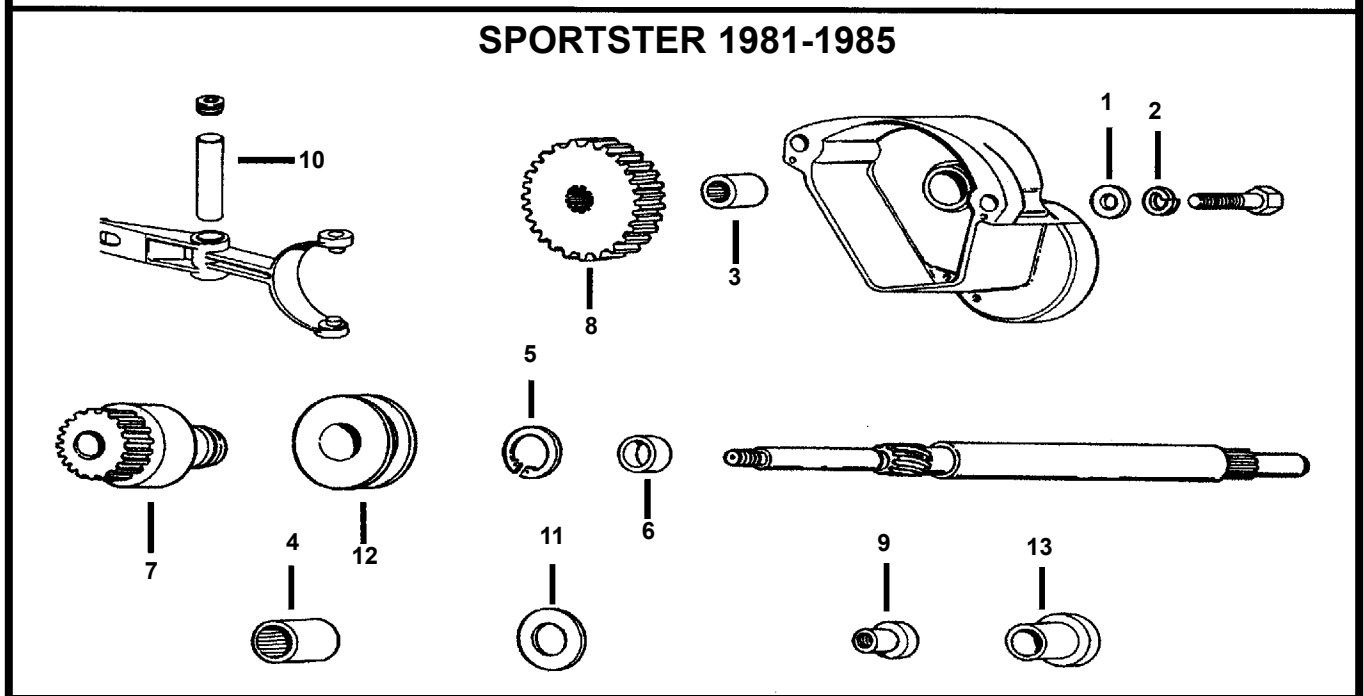
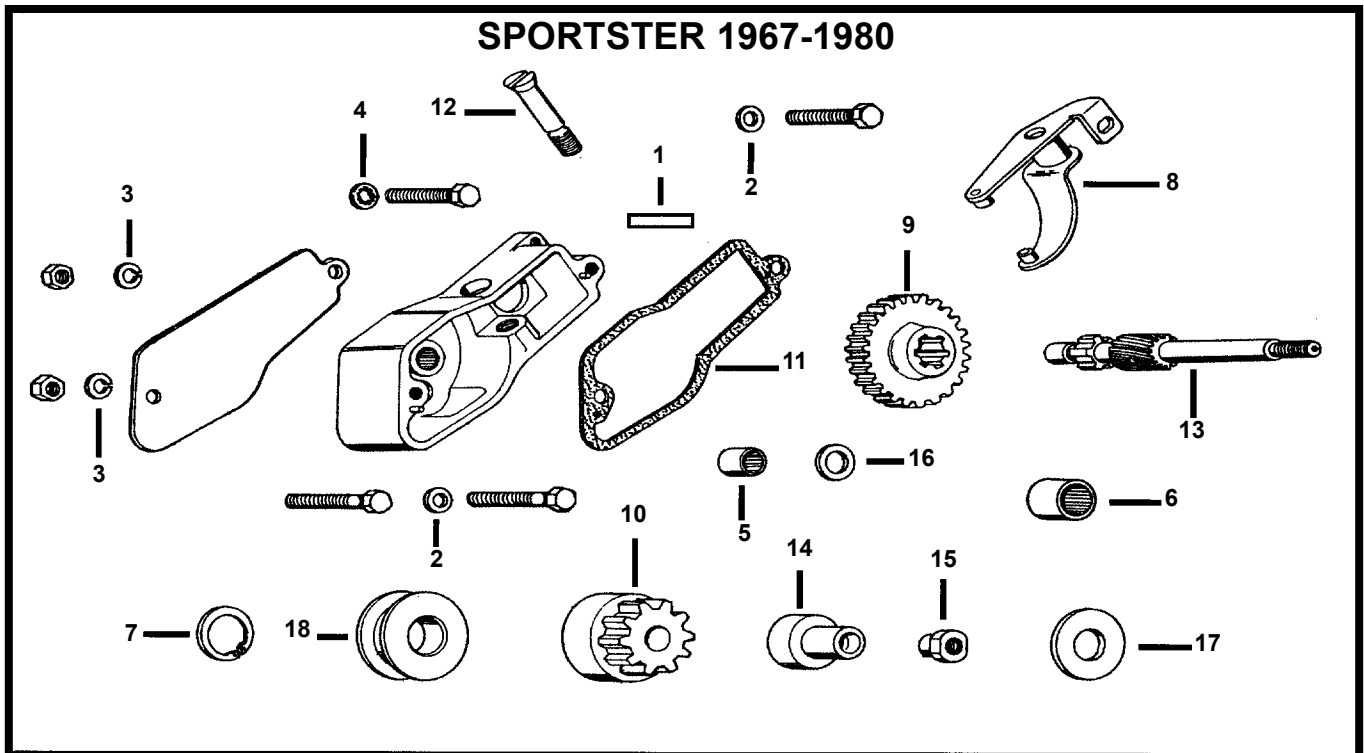
**\*\*BIG TWIN 1982-1988\*\***

<u>DIAGRAM NUMBER</u>	<u>EASTERN NUMBER</u>	<u>REPLACES OEM</u>	<u>DESCRIPTION</u>
1	A-334A	334A	pk-25 ROLL PINS, 1/8 X 3/8" LONG
2	A-6703	6703	pk-25 WASHER, (STEEL) 1/4" X 5/8" X 1/16" THICK
3	36-0198	7036	pk-100 LOCK WASHERS, REGULAR 1/4" <b>**ZINC PLATED**</b>
4	A-9062	9062	each BEARING,STARTER MOTOR HOUSING (TORRINGTON),B/T 1965-1988
5	A-11039	11039	pk-10 RETAINING RING, STARTER COLLAR, BIG TWIN 1965-1988
6	A-31311-80	31311-80	each SPACER, STARTER SHAFT TO PRIMARY, BIG TWIN 1983-1988
7	A-31312-80	31312-80	each NUT, STARTER SHAFT TO PRIMARY, BIG TWIN 1987-1988
8	L-3-911	31320-80	pk-10 GASKET, STARTER SHAFT HOUSING(4-SPEED), BIG TWIN 1982-1984
9	L-3-912	31321-80	pk-10 GASKET, STARTER MOTOR HOUSING, BIG TWIN 1982-1984
10	A-31341-80	31341-80	pk-5 SEAL, STARTER SHAFT HOUSING, BIG TWIN 1982-1984
11	A-31443-65A	31443-65A	each BENDIX DRIVE GEAR, (U.S.A.) <b>**5-ROLLER**</b> , BIG TWIN 1965-1988
	A-31443-65T	31443-65A	each BENDIX DRIVE GEAR, (IMPORTED) <b>**5-ROLLER*</b> BIG TWIN 1965-1988
12	A-31478-65A	31478-65A	pk-5 PIVOT BOLT, BENDIX LEVER, BIG TWIN 1965-1984
13	A-31502-65	31502-65	pk-5 THRUST WASHER,STARTER SHAFT *BRONZE*,BIG TWIN 1965-1988
14	A-31503-65	31503-65	each SHIFTER COLLAR, STARTER SHAFT, BIG TWIN 1965-1984
15	A-33120-85	33120-85	each STARTER JACK-SHAFT, BIG TWIN 1985-1988

# \*\*EASTERN MOTORCYCLE PARTS\*\*

## \*\*STARTER SHAFT & HOUSING\*\*

\*\*SPORTSTER 1967-1985\*\*



**\*\*CONTINUED ON NEXT PAGE\*\***

**\*5120 HILDA ROAD\* BLACKVILLE, S.C. 29817\* 803-284-3304\***

**\*Pg 97\***

# **\*\*EASTERN MOTORCYCLE PARTS\*\***

## **\*\*STARTER SHAFT & HOUSING\*\***

### **\*\*SPORTSTER 1967-1985\*\***

#### **\*\*SPORTSTER 1967-1980\*\***

<u>DIAGRAM NUMBER</u>	<u>EASTERN NUMBER</u>	<u>REPLACES OEM</u>	<u>DESCRIPTION</u>
1	A-334A	334A	pk-25 ROLL PINS, 1/8" X 3/8" LONG
2	A-6316HW	6316HW	pk-25 WASHER, STEEL 5/16" X 5/8" X 1/16" THICK
3	36-0214	7041	pk-100 LOCK-WASHERS, REGULAR 5/16" <b>**ZINC PLATED**</b>
4	35-0228	7127	pk-100 LOCK-WASHERS, INTERNAL 5/16" <b>**ZINC PLATED**</b>
5	A-9062	9062	each BEARING,STARTER MOTOR HOUSING(TORRINGTON), SP. 1967-1985
6	A-9063	9063	each BEARING,OUTER CHAIN HOUSING(TORRINGTON),SP. 1967-1985
7	A-11039	11039	pk-10 RETAINING RING, STARTER COLLAR, SPORTSTER 1967-1985
8	A-31424-67	31424-67	each SHIFT LEVER, STARTER GEAR, SPORTSTER 1967-1980
9	A-31429-67	31429-67	each GEAR, STARTER SHAFT, SPORTSTER 1967-1980
10	A-31443-65A	31443-65A	each BENDIX DRIVE GEAR, <b>**U.S.A.**</b> (5-ROLLER),SPORTSTER 1967-1985
	A-31443-65T	31443-65A	each BENDIX DRIVE GEAR, <b>**IMPORTED**</b> (5-ROLLER), SP. 1967-1985
11	L-3-903	31461-70	pk-10 GASKETS,STARTER BLOCK OFF PLATE (CORK),SP. 1967-1980
	L-3-905	31471-67A	pk-10 GASKETS,STARTER MOTOR HOUSING ( <b>NOT CORK</b> ) SP. 1967-1980
12	A-31478-67	31478-67	pk-5 PIVOT BOLT, BENDIX LEVER, SPORTSTER 1967-1980
13	A-31483-67	31483-67	each STARTER JACK-SHAFT, SPORTSTER 1967-1980
14	A-31490-67	31490-67	each SPACER, STARTER SHAFT TO PRIMARY, SPORTSTER 1967-1980
15	A-31493-67	31493-67	each NUT, STARTER SHAFT *LEFT-HAND THREAD* SPORTSTER 1967-1985
16	A-31501-65	31501-65	pk-5 THRUST WASHER, STARTER SHAFT (BRONZE) SPORT. 1967-1980
17	A-31502-65	31502-65	pk-5 THRUST WASHER, STARTER SHAFT (BRONZE) SPORT. 1967-1985
18	A-31503-65	31503-65	each SHIFTER COLLAR, STARTER SHAFT, SPORTSTER 1967-1985

#### **\*\*SPORTSTER 1981-1985\*\***

<u>DIAGRAM NUMBER</u>	<u>EASTERN NUMBER</u>	<u>REPLACES OEM</u>	<u>DESCRIPTION</u>
1	A-6016	6016	pk-25 WASHER, STEEL 11/32" X 11/16" X 1/16" THICK
2	36-0214	7041	pk-100 LOCK-WASHERS, REGULAR 5/16" <b>**ZINC PLATED**</b>
3	A-9062	9062	each BEARING,STARTER MOTOR HOUSING *TORRINGTON*, SP. 1967-1985
4	A-9063	9063	each BEARING,STARTER MOTOR HOUSING *TORRINGTON*, SP. 1967-1985
5	A-11039	11039	pk-10 RETAINING RING, STARTER COLLAR, SPORTSTER 1967-1985
6	A-11041	11041	pk-5 SPACER, STARTER SHAFT HOUSING, SPORTSTER 1982-1985
7	A-31443-65A	31443-65A	each BENDIX DRIVE GEAR, <b>**U.S.A.**</b> (5-ROLLER),SPORTSTER 1967-1985
	A-31443-65T	31443-65A	each BENDIX DRIVE GEAR, <b>**IMPORTED**</b> (5-ROLLER), SPORT. 1967-1985
8	A-31485-65	31485-65	each GEAR, STARTER SHAFT, SPORTSTER 1982-1985
9	A-31493-67	31493-67	each NUT,STARTER SHAFT <b>**LEFT-HAND THREAD**</b> SPORTSTER 1967-1985
10	A-31495-79	31495-79	pk-5 PIVOT PIN, SHIFT LEVER (FORK) *STARTER* SPORTSTER 1982-1985
11	A-31502-65	31502-65	pk-5 THRUST WASHER,STARTER SHAFT (BRONZE),SP. 1967-1985
12	A-31503-65	31503-65	each SHIFTER COLLAR, STARTER SHAFT, SPORTSTER 1967-1985
13	A-33121-79	33121-79	each SPACER, STARTER SHAFT TO PRIMARY, SPORTSTER 1982-1985

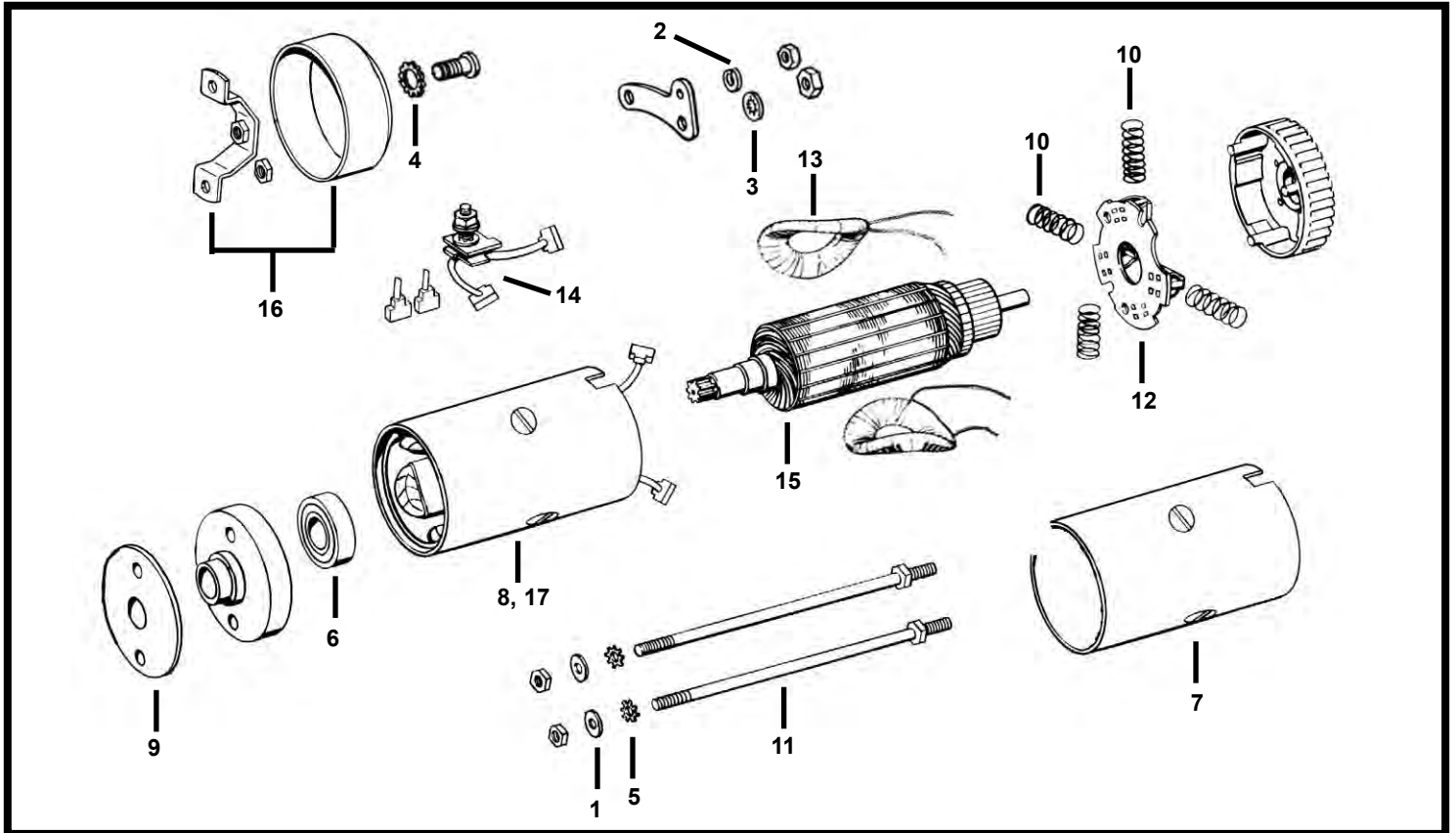
# \*\*EASTERN MOTORCYCLE PARTS\*\*

## \*\*STARTER MOTOR\*\*

### \*\*HITACHI AND PRESTOLITE\*\*

\*\*BIG TWIN 1966-1982\*\*

\*\*SPORTSTER 1967-1980\*\*



<u>DIAGRAM NUMBER</u>	<u>EASTERN NUMBER</u>	<u>REPLACES OEM</u>	<u>DESCRIPTION</u>
1	A-6253W A-6703	6253 6703	pk-25 WASHER, **1/4 X 3/4 X 3/64" THICK** (ZINC PLATED) pk-25 WASHER, **1/4 X 5/8 X 1/16" THICK** (ZINC PLATED)
2	36-0198	7036	pk-100 LOCK WASHER, **REGULAR 1/4"*** (ZINC PLATED)
3	35-0228	7127	pk-100 LOCK WASHER, **5/16" INTERNAL*** (ZINC PLATED)
4	35-0276	7220	pk-100 LOCK WASHER, **#10 EXTERNAL** (ZINC PLATED)
5	35-0284	7230	pk-100 LOCK WASHER, **1/4" EXTERNAL*** (ZINC PLATED)
6	A-9073	9073	each BEARING, STARTER MOTOR, BIG TWIN 1966-1982, SPORT. 1967-1980
7	K-2-766	31350-83T	each COVER, <b>PRESTOLITE **CHROME**</b> BIG TWIN 1966-1982, SP. 1967-1980
	K-2-768	31351-83T	each COVER, <b>HITACHI **CHROME**</b> SPORTSTER 1974-1976
8	A-31458-66A	31458-66A	each STARTER MOTOR, <b>PRESTOLITE **BLACK**</b> B/T 1966-1982, SP. 1967-'80
	A-31463-88	31458-88T	each STARTER MOTOR, <b>PRESTOLITE **CHROME**</b> B/T 1966-1982, SP. 1967-'80
9	L-3-906	31488-77	pk-10 GASKETS, STARTER MOTOR, SPORTSTER 1977-1980
10	A-31534-66	31534-66	pk-10 SPRING, BRUSH HOLDER, BIG TWIN 1966-1982, SPORTSTER 1967-1980
11	A-31535-66	31535-66	pair THRU BOLTS, PRESTOLITE STARTER, BIG TWIN 1966-1982, SP. 1967-'80
12	A-31537-66	31537-66	each BRUSH HOLDER, PRESTOLITE STARTER, B/T 1966-1982, SP. 1967-1980
14	A-31541-66	31541-66	set-4 BRUSHES, PRESTOLITE STARTER, BIG TWIN 1966-1982, SP. 1967-1980
15	A-31542-66	31542-66	each ARMATURE, PRESTOLITE STARTER, BIG TWIN 1966-1982, SP. 1967-1980
16	K-2-409	31565-67	each END COVER WITH BRACKET, **HIT & PREST** B/T 1966-'82, SP. 1967-'80
17	A-31570-73	31570-73	each STARTER MOTOR, **HITACHI** (BLACK) SPORTSTER 1974-1976
	A-31570-73C	31570-73C	each STARTER MOTOR, **HITACHI** (CHROME) SPORTSTER 1974-1976

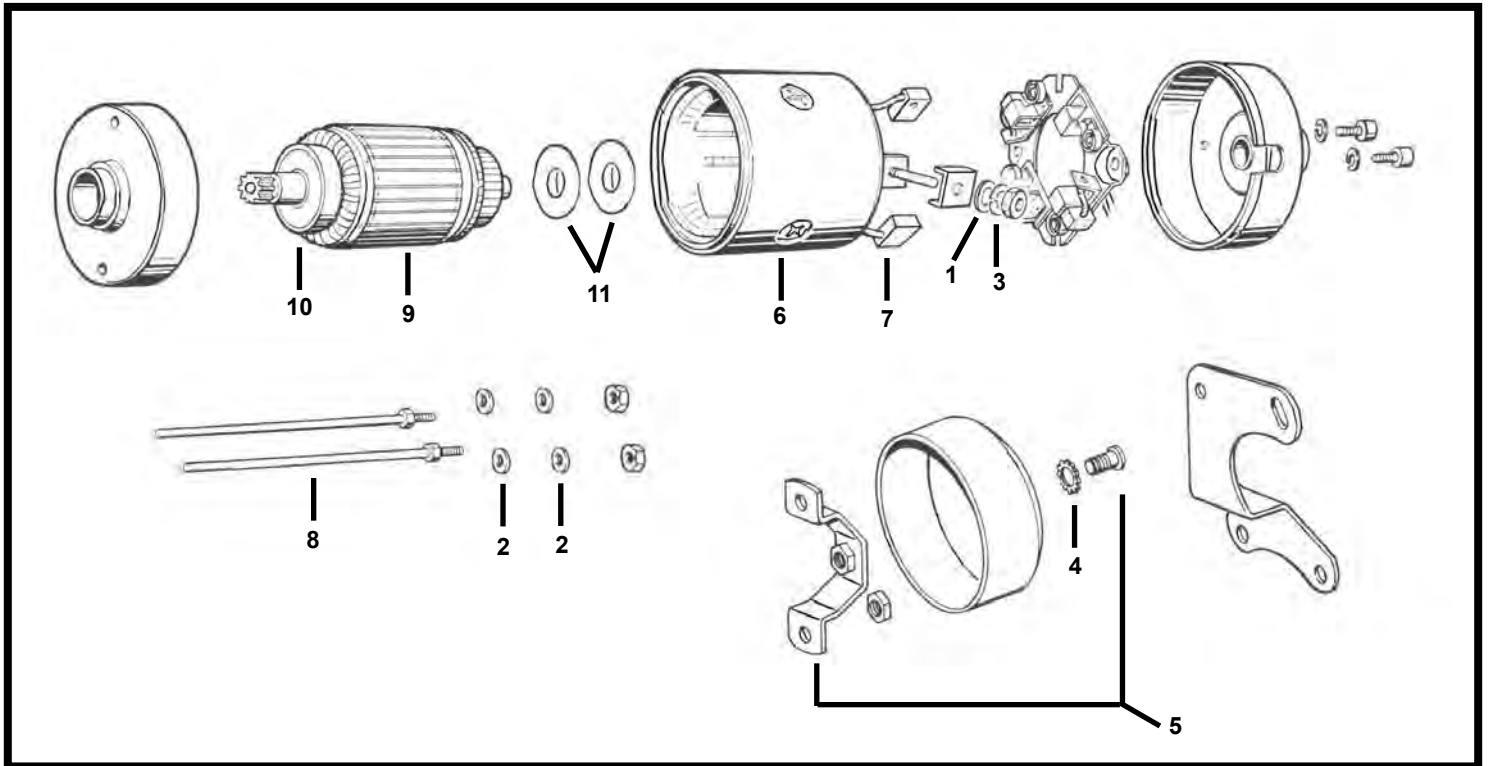
\*5120 HILDA ROAD\* BLACKVILLE, S.C. 29817\* 803-284-3304\*

# **\*\*EASTERN MOTORCYCLE PARTS\*\***

## **\*\*STARTER MOTOR\*\***

**\*\*HITACHI\*\***

**\*\*BIG TWIN 1982-1988\*\***



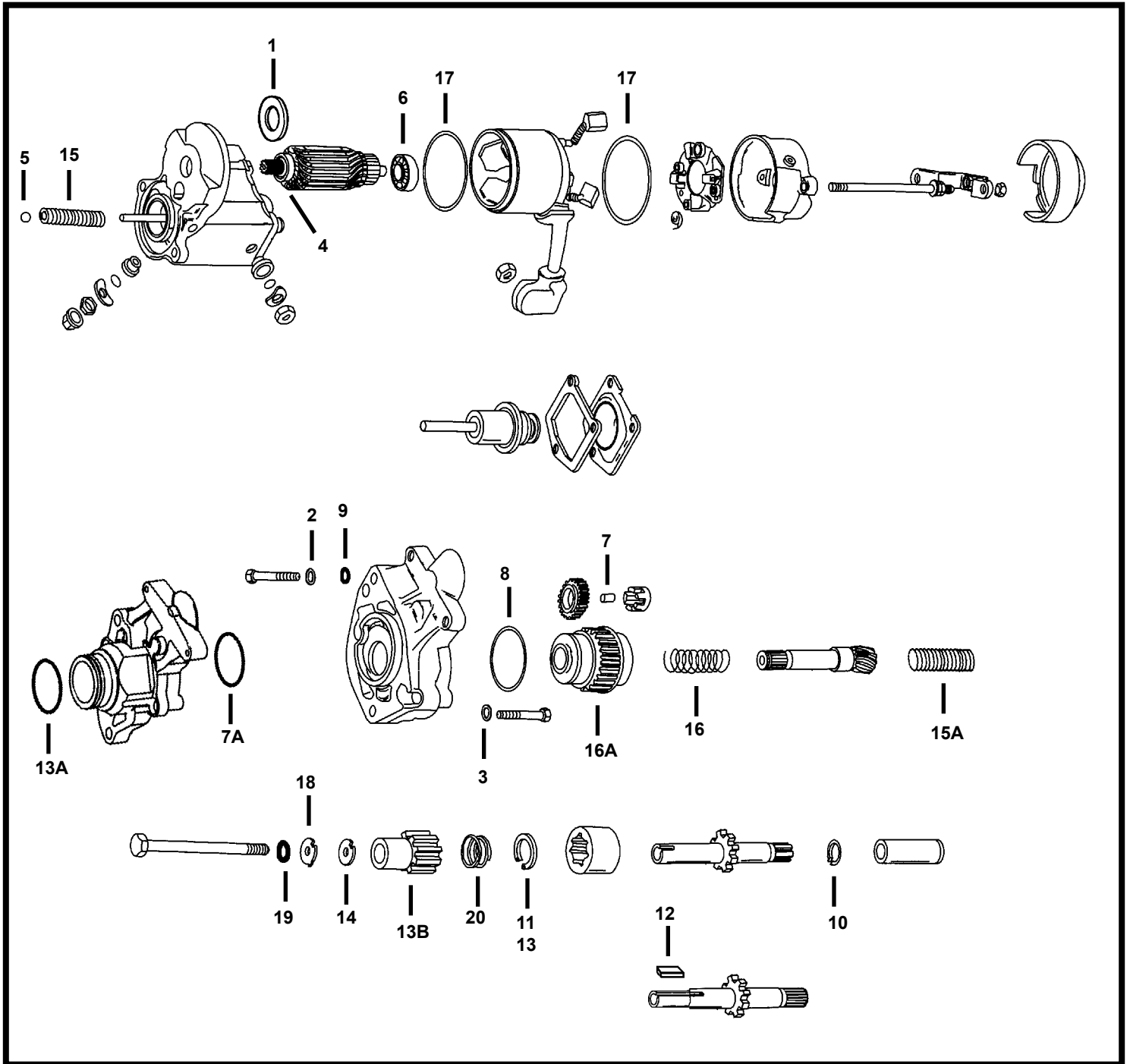
<u>DIAGRAM NUMBER</u>	<u>EASTERN NUMBER</u>	<u>REPLACES OEM</u>	<u>DESCRIPTION</u>
1	A-6703	6703	pk-25 WASHER, **1/4 X 5/8 X 1/16" THICK** (ZINC PLATED)
2	A-6716	6716	pk-25 WASHER, **#10 X 1/2 X 3/64" THICK** (ZINC PLATED)
3	36-0198	7036	pk-100 LOCK WASHER, **REGULAR 1/4"*** (ZINC PLATED)
4	35-0276	7220	pk-100 LOCK WASHER, **#10 EXTERNAL** (ZINC PLATED)
5	K-2-409	31565-67	each END COVER WITH BRACKET, **HITACHI** BIG TWIN 1982-1988
6	A-31570-73	31570-73	each STARTER MOTOR, **HITACHI** (BLACK) BIG TWIN 1982-1988
7	A-31570-73C	31570-73C	each STARTER MOTOR, **HITACHI** (CHROME) BIG TWIN 1982-1988
7	A-31575-73	31575-73	set-4 BRUSHES, HITACHI STARTER, BIG TWIN 1982-1988
8	A-31576-73	31576-73	pair THRU BOLTS, HITACHI STARTER, BIG TWIN 1982-1988
9	A-31580-73	31580-73	each ARMATURE, HITACHI STARTER, BIG TWIN 1982-1988
10	A-31583-73	31583-83	each BEARING, STARTER MOTOR, BIG TWIN 1982-1988
11	A-31584-73	31584-73	pk-10 THRUST WASHERS, ARMATURE END, BIG TWIN 1982-1988



# \*\*EASTERN MOTORCYCLE PARTS\*\*

## \*\*STARTER MOTOR\*\*

\*\*BIG TWIN 1989-PRESENT\*\*



\*\*CONTINUED ON NEXT PAGE\*\*

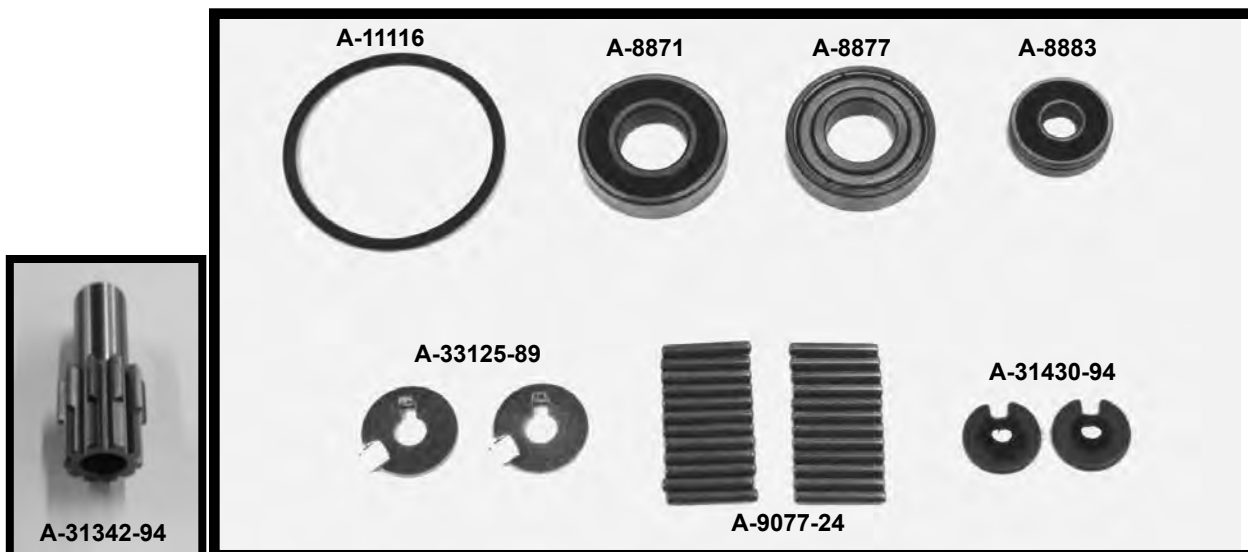
\*5120 HILDA ROAD\* BLACKVILLE, S.C. 29817\* 803-284-3304\*

# **\*\*EASTERN MOTORCYCLE PARTS\*\***

## **\*\*STARTER MOTOR\*\***

### **\*\*BIG TWIN 1989-PRESENT\*\***

<u>DIAGRAM NUMBER</u>	<u>EASTERN NUMBER</u>	<u>REPLACES OEM</u>	<u>DESCRIPTION</u>
1	A-6005	6005	pk-10 FELT WASHER, ARMATURE END, BIG TWIN 1989-1990
2	36-0198	7036	pk-25 LOCK WASHERS, **REGULAR 1/4** (ZINC PLATED)
3	36-0214	7041	pk-25 LOCK WASHERS, **REGULAR 5/16** (ZINC PLATED)
	36-0234	7045	pk-25 LOCK WASHERS, **HI-COLLAR 3/8** (ZINC PLATED)
4	A-8871	8871	each BEARING, STARTER MOTOR, BIG TWIN 1989-2010
	A-8877	8877	each BEARING, STARTER MOTOR, BIG TWIN 1989-1990
5	A-8879	8879	pk-25 BALL BEARING, STARTER MOTOR **11/32** BIG TWIN 1989-2010
6	A-8883	8883	each BEARING, STARTER MOTOR, BIG TWIN 1989-2010
7	A-9077-24	9077	pk-24 ROLLERS, STARTER MOTOR, BIG TWIN 1989-PRESENT
7A	44-0305	10957	pk-10 O-RING, STARTER MOTOR SUB ASSEMBLY, BIG TWIN 2008-PRESENT
8	A-11116	11116	pk-10 O-RING, STARTER HOUSING, BIG TWIN 1989-2007
9	A-11171	11171	pk-10 O-RING, STARTER MOTOR, BIG TWIN 1989-PRESENT
10	A-11182	11182	pk-10 RETAINING RING, STARTER SHAFT, BIG TWIN 1989-2006
11	A-11183	11183	pk-10 RETAINING RING, STARTER SHAFT, BIG TWIN 1989-1993
12	A-11220	11220	pk-10 KEY, STARTER MOTOR SHAFT, BIG TWIN 1989-1990
13	A-11248	11248	pk-10 RETAINING RING, STARTER SHAFT, BIG TWIN 1994-2006
13A	44-0300	27444-00Y	pk-10 O-RING, STARTER MOTOR, BIG TWIN 2007-PRESENT
13B	A-31342-94	31342-94	each GEAR, STARTER SHAFT, BIG TWIN 1994-2006
14	A-31430-94	31430-94	pk-5 THRUST WASHER, PINION GEAR, BIG TWIN 1994-2006
15	A-31557-81	31557-81	pk-10 SPRING, CLUTCH ASSEMBLY, BIG TWIN 1989-1990
	A-31600-90	31600-90	pk-10 SPRING, CLUTCH ASSEMBLY, BIG TWIN 1991-2006
15A	A-31641-06	31641-06	pk-10 SPRING, STARTER SOLENOID (STARTER MOTOR) BIG TWIN 2007-2010
16	A-31692-90	31692-90	pk-10 SPRING, CLUTCH GEAR SHAFT, BIG TWIN 1991-PRESENT
16A	A-31663-90	31663-90	each STARTER DRIVE, BIG TWIN 1991-PRESENT
17	A-31695-90	31695-90	pk-10 O-RING, STARTER HOUSING, BIG TWIN 1991-2010
18	A-33125-89	33125-89	pk-10 LOCK TABS, STARTER SHAFT BOLT,, BIG TWIN 1989-E/1990
	A-33126-90	33126-90	pk-10 LOCK TABS, STARTER SHAFT BOLT,, BIG TWIN L/1990-1992
	A-33126-93	33126-93	pk-10 LOCK TABS, STARTER SHAFT BOLT,, BIG TWIN 1993-ONLY
	A-33126-94	33126-94	pk-10 LOCK TABS, STARTER SHAFT BOLT,, BIG TWIN 1994-2006
18	A-33340-90	33340-90	pk-10 O-RING, STARTER THRU BOLT, BIG TWIN 1990-1992
19	A-33447-89	33447-89	pk-10 SPRING, PINION GEAR SHAFT, BIG TWIN 1989-ONLY
	A-33449-90	33449-90	pk-10 SPRING, PINION GEAR SHAFT, BIG TWIN 1991-1993
	A-33449-94	33449-94	pk-10 SPRING, PINION GEAR SHAFT, BIG TWIN 1994-2006



# \*\*EASTERN MOTORCYCLE PARTS\*\*

## \*\*STARTER MOTOR\*\*

\*\*883,1100,1200 C/C\*\*

\*\*SPORTSTER 1986-1990\*\*

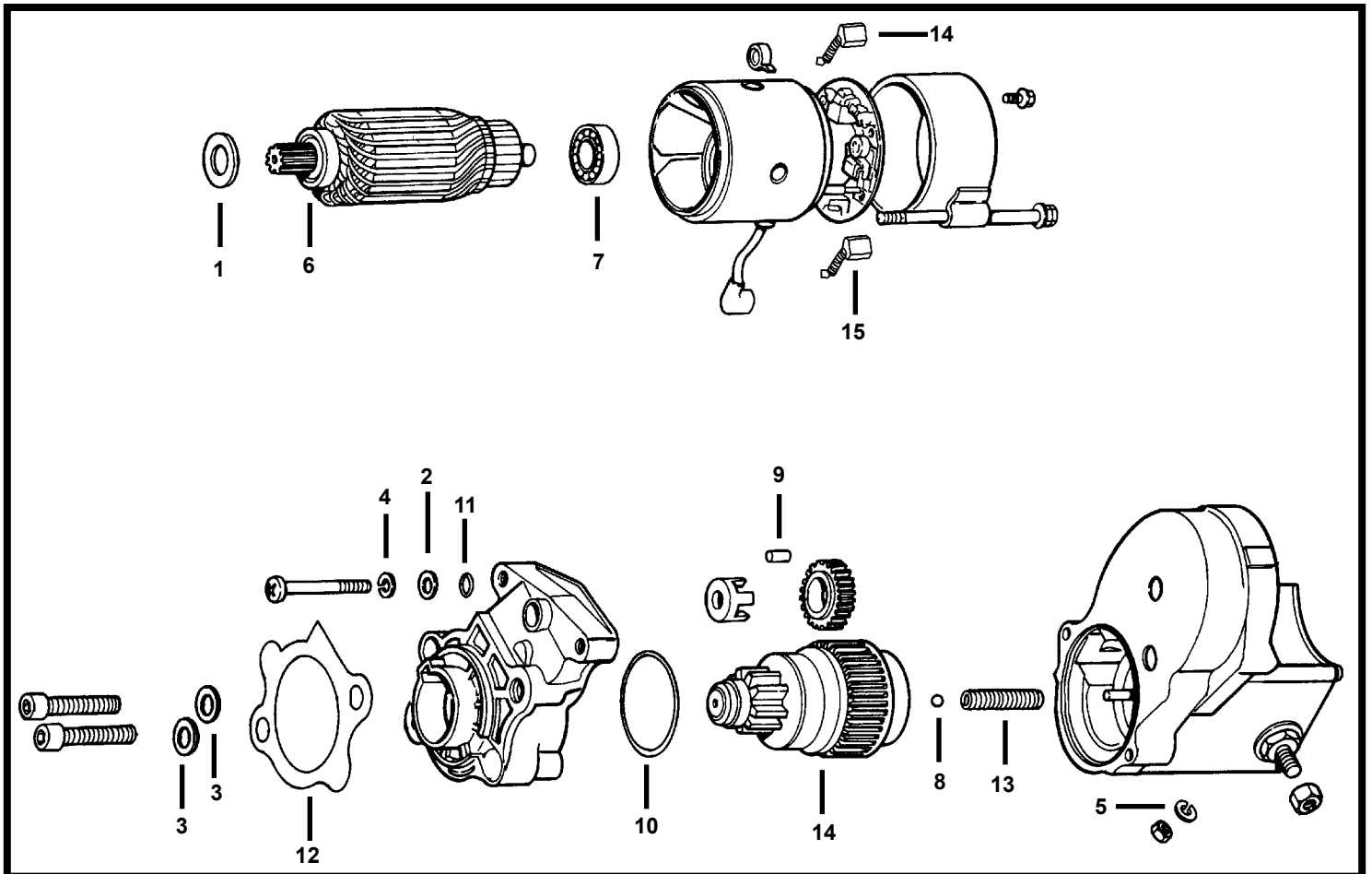


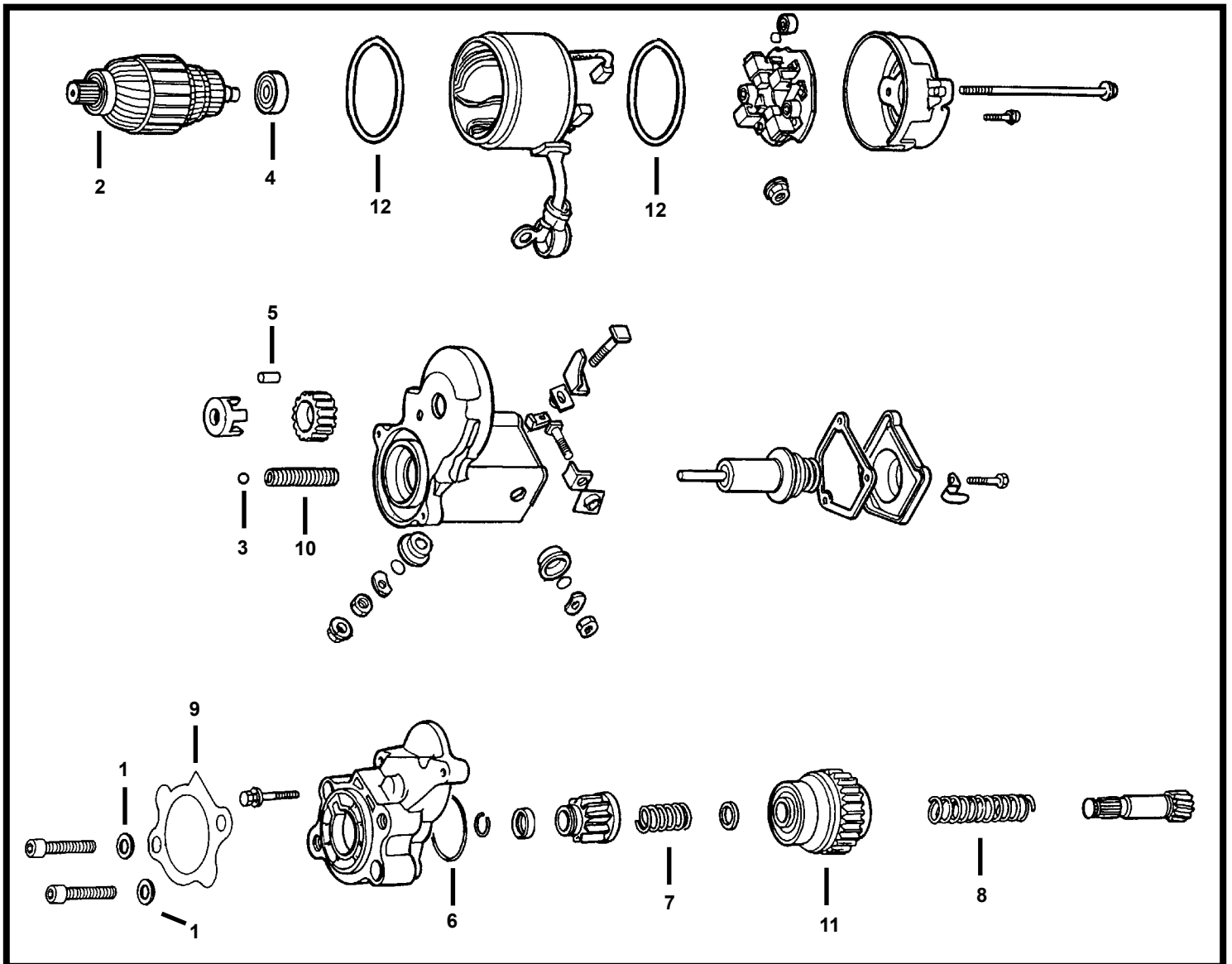
DIAGRAM NUMBER	EASTERN NUMBER	REPLACES OEM	DESCRIPTION
1	A-6005	6005	pk-10 FELT WASHER, ARMATURE END, SPORTSTER 1981-1994
2	A-6239	6236B	pk-25 WASHER **1/4 X 1/2 X 3/32" THICK** (ZINC PLATED)
3	A-6443HW	6812	pk-25 WASHER **13/32 X 11/16 X 1/16" THICK** (ZINC PLATED)
4	36-0198	7036	pk-25 LOCK WASHERS, **REGULAR 1/4** (ZINC PLATED)
5	36-0214	7041	pk-25 LOCK WASHERS, **REGULAR 5/16** (ZINC PLATED)
6	A-8877	8877	each BEARING, STARTER MOTOR, SPORTSTER 1981-1994
7	A-8878	8878	each BEARING, STARTER HOUSING (USE WITH 31590-81) SPORT. 1981-1994
	A-8880	8880	each BEARING, STARTER HOUSING (USE WITH 31562-86) SPORT. 1981-1989
8	A-8879	8879	pk-25 BALL BEARING, STARTER MOTOR **11/32** SPORTSTER 1981-2010
9	A-9077-24	9077	pk-24 ROLLERS, STARTER MOTOR, SPORTSTER 1981-PRESENT
10	A-11116	11116	pk-10 O-RING, STARTER HOUSING, SPORTSTER 1981-2007
11	A-11171	11171	pk-10 O-RING, STARTER MOTOR, SPORTSTER 1981-PRESENT
12	L-3-907	31488-81	pk-10 GASKETS, STARTER MOTOR, SPORTSTER 1981-PRESENT
13	A-31557-81	31557-81	pk-10 SPRING, CLUTCH ASSEMBLY, SPORTSTER 1981-1994
14	A-31567-81	31567-81	each STARTER DRIVE **BLUE STREAK** SPORTSTER 1981-1990
15	A-31575-81	31596-85	set-4 BRUSHES, STARTER MOTOR, SPORTSTER 1981-PRESENT

# **\*\*EASTERN MOTORCYCLE PARTS\*\***

## **\*\*STARTER MOTOR\*\***

**\*\*883,1200 C/C MODEL\*\***

**\*\*SPORTSTER 1991-PRESENT\*\***



<u>DIAGRAM NUMBER</u>	<u>EASTERN NUMBER</u>	<u>REPLACES OEM</u>	<u>DESCRIPTION</u>
1	A-6443HW	6812	pk-25 WASHER **13/32 X 11/16 X 1/16" THICK** (ZINC PLATED)
2	A-8871	8871	each BEARING, STARTER MOTOR, SPORTSTER 1991-2010
3	A-8879	8879	pk-25 BALL BEARING, STARTER MOTOR **11/32** SPORTSTER 1981-2010
4	A-8883	8883	each BEARING, STARTER MOTOR, SPORTSTER 1991-2010
5	A-9077-24	9077	pk-24 ROLLERS, STARTER MOTOR, SPORTSTER 1981-PRESENT
6	A-11116	11116	pk-10 O-RING, STARTER HOUSING, SPORTSTER 1981-2007
7	A-31326-91	31326-91	pk-10 SPRING, PINION GEAR SHAFT **LEFT SIDE** SPORTSTER 1991-2002
8	A-31330-91	31330-91	pk-10 SPRING, PINION GEAR SHAFT **RIGHT SIDE** SPORTSTER 1991-1998
9	L-3-907	31488-81	pk-10 GASKETS, STARTER MOTOR, SPORTSTER 1981-PRESENT
10	A-31600-90	31600-90	pk-10 SPRINGS, CLUTCH ASSEMBLY, SPORTSTER 1991-2010
11	A-31663-90	31663-90	each STARTER DRIVE, SPORTSTER 1991-PRESENT
12	A-31695-90	31695-90	pk-10 O-RING, STARTER HOUSING, SPORTSTER 1991-PRESENT

**\*5120 HILDA ROAD\* BLACKVILLE, S.C. 29817\* 803-284-3304\***

# **\*\*EASTERN MOTORCYCLE PARTS\*\***

## **\*\*BEARINGS\*\***

### **\*\*BIG TWIN-SPORTSTER\*\***

#### **\*\*MASTER LISTING\*\***



<b><u>EASTERN NUMBER</u></b>	<b><u>REPLACES OEM</u></b>	<b><u>DESCRIPTION</u></b>
40-0315	8026-K	set-4 BEARING, MAIN & COUNTERSHAFT **6-SPEED** BIG TWIN 2006-PRESENT
40-0310	8042	each BEARING, MAIN DRIVE GEAR, BIG TWIN 2006-PRESENT
A-8871	8871	each BEARING, STARTER MOTOR, (ARMATURE) BIG TWIN 1991-2010, SPORTSTER 1991-2010
A-8876A	8876A	pk-4 BEARING, (NEEDLE) MAIN & COUNTERSHAFT, BIG TWIN 1980-2006, SP. 1991-2005
A-8877	8877	each BEARING, STARTER MOTOR, (ARMATURE) BIG TWIN 1988-1990, SPORT. 1981-1994
A-8878	8878	each BEARING, STARTER MOTOR, (ARMATURE) **COMM. END** SPORTSTER 1981-1994
A-8880	8880	each BEARING, STARTER MOTOR, (ARMATURE) **COMM. END** SPORTSTER 1986-1989
A-8882	8882	each BEARING, STARTER MOTOR, (ARMATURE) **COMM. END** BIG TWIN 1989-1990
A-8883	8883	each BEARING, STARTER MOTOR, (ARMATURE) **COMM. END** BIG TWIN 1991-2010
40-0345	8884	each BEARING, MAINSHAFT (NEEDLE) SPORTSTER 2006-PRESENT
A-8885	8885	each BEARING, CLUTCH ADJUSTMENT SCREW, SPORTSTER 1984-PRESENT
A-8888	8888	each BEARING, COUNTERSHAFT LOW GEAR, SPORTSTER 1986-1990
A-8904	8904	each BEARING, MAIN DRIVE GEAR, (5TH GEAR) **5-SPEED** BIG TWIN 1980-1990
A-8905	8905	each BEARING, MAIN DRIVE GEAR, **4-SPEED** BIG TWIN 1977-1981
A-8906	8906	each BEARING, MAIN DRIVE GEAR, **4-SPEED** BIG TWIN 1982-1985
44-0516	8956	each BEARING, MAIN DRIVE GEAR, **5-SPEED** (XR-1200) SPORTSTER 2009-PRESENT
40-0320	8959	each BEARING, BALANCE SHAFT **RIGHT SIDE** BIG TWIN 2008-PRESENT
40-0325	8963	each BEARING, CLUTCH SIDE (NEEDLE) BIG TWIN 2006-PRESENT
40-0330	8965	each BEARING, BALANCE SHAFT **LEFT SIDE** BIG TWIN 2008-PRESENT
44-0520	* 8967A	each BEARING, CLUTCH SIDE **6-SPEED** BIG TWIN 2006-PRESENT
40-0340	8968	each BEARING, COUNTERSHAFT END, **4th GEAR** SPORTSTER 2004-2005
A-8970	8970	each BEARING, RIGHT SIDE COUNTERSHAFT **5-SPEED** BIG TWIN 2006-P., SPORT 2006-P.
A-8975	8975	each BEARING, FRONT CHAIN HOUSING, **5-SPEED** BIG TWIN 1980-1984
A-8977	8977	each BEARING, COUNTERSHAFT, CLUTCH SIDE, **5-SPEED** B/T 1980-P., SPORT. 1991-2005

**\*\*CONTINUED NEXT PAGE\*\***

**\*5120 HILDA ROAD\* BLACKVILLE, S.C. 29817\* 803-284-3304\***

# **\*\*EASTERN MOTORCYCLE PARTS\*\***

## **\*\*BEARINGS\*\***

### **\*\*BIG TWIN-SPORTSTER\*\***

#### **\*\*MASTER LISTING\*\***



<u>EASTERN NUMBER</u>	<u>REPLACES OEM</u>	<u>DESCRIPTION</u>
A-8978	8978	each BEARING, MAINSHAFT, CLUTCH SIDE, **5-SPEED** BIG TWIN 1980-1984
A-8980	8980	each BEARING, FRONT CHAIN HOUSING, **5-SPEED** BIG TWIN L/1984-1985
A-8983	8983	each BEARING, REAR CAM <b>**WINNER RACE, O-RING &amp; OUTSIDE SPACER**</b> BIG TWIN 2000-'06
A-8983-O		pk-10 O-RINGS, <b>**FOR 8983 BEARING**</b> BIG TWIN 2000-2006
A-8983-S		pk-5 SPACER, <b>**FOR 8983 BEARING**</b> BIG TWIN 2000-2006
A-8989	8989	each BEARING, BALANCE SHAFT <b>**LEFT SIDE**</b> BIG TWIN 2000-PRESENT
A-8990	8990	each BEARING, CAM, LEFT SIDE, BIG TWIN 1999-2006
A-8991	8991	each BEARING, W/RETAINING RING, ENGINE BALANCE, RIGHT SIDE, BIG TWIN 2000-PRES.
A-8992A	8992A	each BEARING, FOR BEARING HOUSING, BIG TWIN 1999-2006
A-8996	8996	each BEARING, MAINSHAFT, CLUTCH SIDE, BIG TWIN 1984-2006, SPORTSTER 1991-2005
A-8998	8998	each BEARING, RIGHT SIDE HOUSING, **5-SPEED** BIG TWIN 1980-1999
A-9004	9004	each BEARING, GENERATOR COMMUTATOR END, BIG TWIN 1932-1957, SPORT. 1952-1957
A-9005	9005	each BEARING, GENERATOR COMMUTATOR END, BIG TWIN 1932-1957, SPORT. 1952-1957
A-9007	9007	each BEARING, GENERATOR GEAR END, BIG TWIN 1932-1969, SPORTSTER 1952-1981
A-9008	9008	each BEARING, FRONT AND REAR WHEELS, <b>**WITHOUT SHIELDS**</b> SPORTSTER 1955-1978
A-9009	9009	each BEARING, FRONT AND REAR WHEELS, <b>**WITH SHIELDS**</b> SPORTSTER 1955-1978
A-9010	9010	each BEARING, REAR WHEEL HUB, <b>**DOUBLE ROW**</b> SPORTSTER 1954-1962
A-9020	9020	each BEARING, MAINSHAFT, **4-SPEED** BIG TWIN 1936-1985
A-9025	9025A	each BEARING, MAINSHAFT, **4-SPEED** SPORTSTER 1952-1990
A-9028	9028	each BEARING, SPROCKET SHAFT, <b>**TIMKEN**</b> BIG TWIN 1969-2002
A-9029	9029	each BEARING, SPROCKET SHAFT, <b>**TIMKEN**</b> BIG TWIN 1955-1968
A-9033	9033	each BEARING, REAR SWING ARM, BIG TWIN 1958-1986
A-9037	9037	each BEARING, INNER CHAIN HOUSING, (THIN) **4-SPEED** BIG TWIN 1965-1969
A-9040	9040	each BEARING, INNER CHAIN HOUSING, (THICK) **4-SPEED** BIG TWIN 1970-1984
A-9045	9045	each BEARING, SPROCKET SHAFT, <b>**TIMKEN**</b> (CUP & CONE) BIG TWIN 1955-2002
A-9052	9052	each BEARING, FRONT & REAR WHEELS, <b>**TIMKEN**</b> BIG TWIN 1973-1999, SPORT. 1973-P.

**\*\*PAGE 106 IS CONTINUED ON NEXT PAGE\*\***

**\*5120 HILDA ROAD\* BLACKVILLE, S.C. 29817\* 803-284-3304\***

**\*Pg 106\***

# **\*\*EASTERN MOTORCYCLE PARTS\*\***

## **\*\*BEARINGS\*\***

### **\*\*BIG TWIN-SPORTSTER\*\***

#### **\*\*MASTER LISTING\*\***

<b>EASTERN NUMBER</b>	<b>REPLACES OEM</b>		<b>DESCRIPTION</b>
A-9057	9057	each	CAM BEARING, (TORRINGTON) SPORTSTER 1958-1990
40-0300	9057	each	CAM BEARING, SPORTSTER 1958-1990 <b>**IMPORT**</b>
A-9058	9058	each	CAM BEARING, (TORRINGTON) BIG TWIN 1958-1999
40-0305	9058	each	CAM BEARING, BIG TWIN 1958-1999 <b>**IMPORT**</b>
A-9061	9061	each	BEARING, INNER CHAIN HOUSING, <b>**4-SPEED**</b> BIG TWIN 1970-1984
A-9062	9062	each	BEARING, STARTER MOTOR HOUSING, (TORRINGTON) BIG TWIN 1965-'88, SP. 1967-'80
A-9063	9063	each	BEARING, OUTER CHAIN HOUSING, (TORRINGTON) BIG TWIN 1965-1988, SP. 1967-'80
A-9064	9064	each	BEARING, GENERATOR, COMMUTATOR END, BIG TWIN 1961-1969, SPORT. 1961-1981
A-9073	9073	each	BEARING, CLUTCH RELEASING DISC, SPORTSTER 1971-E/1984
A-9076	9076	each	BEARING ONLY, REAR FORK SWING ARM, BIG TWIN 1984-1999
A-9076-KIT	9076	kit	BEARING KIT, REAR FORK SWING ARM, BIG TWIN 1984-1999
	11158		<b>KIT INCLUDES: (2) 9076 BEARINGS AND (2) 11158 RETAINING RINGS</b>
A-9088	9088	each	BEARING, GENERATOR END COVER, BIG TWIN 1958-1969, SPORTSTER 1958-1981
A-9114	9114	each	BEARING, RIGHT CAM SUPPORT, <b>**5-SPEED**</b> BIG TWIN 1980-1986
A-9115	9115	each	BEARING, LEFT CAM SUPPORT, <b>**5-SPEED**</b> BIG TWIN 1980-1986
A-9118	9118	each	BEARING, MAINSHAFT RACE, (TORRINGTON) SPORTSTER L/1984-1990
A-9135	9135	each	BEARING, FRONT CHAIN HOUSING, <b>**5-SPEED**</b> BIG TWIN L/1984-2005
43-0207	9135	kit	INNER PRIMARY UPGRADE BEARING KIT, <b>**5-SPEED**</b> BIG TWIN 1990-2006
			<b>KIT INCLUDES: DUAL ROW BEARING, 12052 SEAL, 60678-85 RETAINING RING</b>
A-9151	9151	each	BEARING, SHIFTER DRUM END, <b>**5-SPEED**</b> SPORTSTER 1991-PRESENT
A-9198	9198	pair	BEARING, CAM, LEFT SIDE <b>**2-CAM**</b> BIG TWIN 1999-2006 <b>**FULL COMPLIMENT**</b>
42-0112	9208	pair	BEARING, REAR FORK SWING ARM <b>**2-CAM**</b> BIG TWIN 2009-PRESENT
42-0114	9209	kit	BEARING KIT, REAR FORK SWING ARM, SPORTSTER 2004-PRESENT
	11282		<b>KIT INCLUDES: (2) 9209 BEARINGS AND (2) 11282 RETAINING RINGS</b>
42-0150	9214	each	BEARING, FOR INNER RACE, SPORTSTER 2009-PRESENT
42-0109	9215	pair	BEARING, CAM, LEFT SIDE <b>**TORRINGTON**</b> BIG TWIN 2006-P. <b>**FULL COMPLIMENT**</b>
40-0350	9215	pair	BEARING, CAM, LEFT SIDE <b>**2-CAM**</b> BIG TWIN 2006-PRESENT <b>**CAGE STYLE**</b>
41-0111	9231	each	BEARING, FRONT CHAIN HOUSING, <b>**6-SPEED**</b> BIG TWIN 2006-PRESENT
A-9247	9247	each	BEARING, FRONT & REAR WHEELS, <b>**FLT-ONLY**</b> BIG TWIN 2000-2007
42-0138	9252	each	ABS BEARING, FRONT & REAR WHEELS, <b>**W/SENSOR**</b> BIG TWIN 2008-P, SPORTSTER 2007-P.
42-0152	9252/9276	set-2	BEARING SET, F&R WHEELS, (INCL: 1-STD and 1-ABS BEARING) BIG TWIN 2008-P, SP 2007-P.
A-9267A	9267A	each	BEARING, FRONT & REAR WHEELS, BIG TWIN 2000-2008, SPORTSTER 2000-2007
A-9270	9270	each	BEARING <b>ONLY</b> , REAR FORK PIVOT <b>**SWING ARM**</b> BIG TWIN 2000-PRESENT
A-9270-KIT	9270	kit	BEARING KIT, REAR FORK PIVOT <b>**SWING ARM**</b> BIG TWIN 2000-PRESENT
	11282		<b>KIT INCLUDES: (2) 9270 BEARINGS AND (2) 11282 RETAINING RINGS</b>
A-9276	9276	each	BEARING, FRONT & REAR WHEELS, BIG TWIN 2007-PRESENT, SPORTSTER 2007-PRESENT
A-17428-72R	17428-72R	each	BEARING, ROCKER ARM SHAFT, <b>**750 XR**</b> SPORTSTER 1972-PRESENT
A-24004-03	24004-03	kit	BEARING KIT WITH WASHERS & RACE, BIG TWIN 2004-PRESENT
			<b>KIT INCLUDES: (2) 8972 (1) 24605-07 (1) 35114-02 (1) RACE</b>
A-24386-94R	24386-94R	each	BEARING, MAINSHAFT, <b>**XR-750**</b> 1989-PRESENT
A-24604-00C	24604-00C	each	BEARING, PINION SHAFT, BIG TWIN 2000-2007, SPORTSTER 2004-2009
A-24605-07	24605-07	each	BEARING, PINION SHAFT, BIG TWIN 2008-PRES,SPORTSTER 2009-PRESENT

**\*\*CONTINUED NEXT PAGE\*\***

# **\*\*EASTERN MOTORCYCLE PARTS\*\***

## **\*\*BEARINGS\*\***

### **\*\*BIG TWIN-SPORTSTER\*\***

#### **\*\*MASTER LISTING\*\***

<b>EASTERN NUMBER</b>	<b>REPLACES OEM</b>	<b>DESCRIPTION</b>
A-24626-87A	24626-87A	each BEARING, PINION SHAFT, <b>**WHITE/GRAY**</b> (1-PIECE) BIG TWIN 1987- 1999
A-24628-87A	24628-87A	each BEARING, PINION SHAFT, <b>**GREEN**</b> (1-PIECE) *CAGE & ROLLERS* BIG TWIN 1987-'99
A-24641-87A	24641-87A	each BEARING, PINION SHAFT, <b>**RED**</b> (1-PIECE) <b>**CAGE &amp; ROLLERS**</b> BIG TWIN 1987-1999
A-24643-87A	24643-87A	each BEARING, PINION SHAFT, <b>**BLUE**</b> (1-PIECE) <b>**CAGE &amp; ROLLERS**</b> BIG TWIN 1987-1999
A-24647-87	24647-87	each BEARING, PINION SHAFT, <b>**BLUE**</b> (1-PIECE) <b>**CAGE &amp; ROLLERS**</b> SPORT. 1987-P.
A-24648-77	24648-77	each BEARING, PINION SHAFT, <b>(W/OUT RACE)</b> SPORTSTER 1977-1986
A-24648-77A	24648-77	each BEARING, PINION SHAFT, <b>(WITH RACE)</b> SPORTSTER 1977-1986
A-24650-87	24650-87	each BEARING, PINION SHAFT, <b>**RED**</b> (1-PIECE) <b>**CAGE &amp; ROLLERS**</b> SPORT. 1987-PRES.
A-24659-87	24659-87	each BEARING, PINION SHAFT, <b>**WHITE/GRAY**</b> (1-PIECE) SPORTSTER 1987-PRESENT
A-24660-87	24660-87	each BEARING, PINION SHAFT, <b>**GREEN**</b> (1-PIECE) <b>**CAGE &amp; ROLLERS**</b> SPORT. 1987-P.
45-0215	24729-52	each BEARING, SPROCKET SHAFT, <b>**IMPORTED**</b> SPORTSTER 1954-1976
A-24729-74	24729-74	each BEARING, SPROCKET SHAFT, <b>**IMPORTED**</b> SPORTSTER 1977-2003
A-24729-74A	24729-74	each BEARING, SPROCKET SHAFT, <b>**TIMKEN**</b> SPORTSTER 1977-2003
A-29916-82	29916-82	each BEARING, GENERATOR, <b>**COMMUTATOR END**</b> (HITACHI) SPORTSTER 1982-1984
A-29917-82	29917-82	each BEARING, GENERATOR, <b>**GEAR END**</b> (HITACHI) SPORTSTER 1982-1984
A-31539-66	31539-66	each BEARING, STARTER MOTOR, <b>**GEAR END**</b> (PRESTOLITE) B/T 1966-1982, SP. 1967-'80
A-31583-73	31583-73	each BEARING, STARTER MOTOR, <b>**GEAR END**</b> (HITACHI) B/T 1982-1988, SP. 1974-E/1976
A-35030-89	35030-89	each BEARING, ACCESS TRAP DOOR, <b>**5-SPEED**</b> SPORTSTER 1991-PRESENT
A-35051-89	35051-89	each BEARING, MAIN DRIVE GEAR, (5TH GEAR) <b>**5-SPEED**</b> B/T 1991-2006., SP. 1991-PRES.
44-0512	35107-06	pk-5 SPACER, COUNTERSHAFT, (2nd GEAR) <b>**5-SPEED**</b> SPORTSTER 2006-PRESENT
A-35960-52	35960-52	each BEARING, COUNTERSHAFT, (CLOSED END) <b>**K-MODEL**</b> SPORTSTER 1952-1953
A-35960-54	35960-54	each BEARING, COUNTERSHAFT, (CLOSED END) <b>**4-SPEED**</b> SPORTSTER 1954-1990
A-35961-52	35961-52	each BEARING, C/S & MAINSHAFT, (OPEN END) <b>**4-SPEED**</b> B/T 1977-1985, SP. 1954-1990
A-36799-84	36799-84	each BEARING, CLUTCH SHELL, SPORTSTER 1984-1990
A-36799-91	36799-91	each BEARING, CLUTCH SHELL, SPORTSTER 1991-PRESENT
V-13-253	* 37000168	each BEARING, CLUTCH HUB ASSEMBLY, <b>**6-SPEED**</b> BIG TWIN 2017-PRESENT
A-37310-39	37310-39	each BEARING, CLUTCH RELEASE, BIG TWIN 1939-1975
A-37312-75	37312-75	each BEARING, CLUTCH PUSH ROD END, <b>**4 &amp; 5 SPEED**</b> BIG TWIN 1975-PRESENT
A-37467-41	37467-41	each BEARING, MAIN DRIVE GEAR, FORTY-FIVE 1941-1973
A-37722-52	37722-52	each BEARING, CLUTCH SPROCKET SHELL, (TORRINGTON) SPORTSTER 1954-1970
A-37722-71	37722-71	each BEARING, CLUTCH SPROCKET SHELL, SPORTSTER 1971-1984
A-37906-84	37906-84	each BEARING, CLUTCH HUB ASSEMBLY, <b>**5-SPEED**</b> BIG TWIN 1984-1989
A-37906-90	37906-90	each BEARING, CLUTCH HUB ASSEMBLY, <b>**5-SPEED**</b> BIG TWIN 1990-2010
A-37906-11	37906-11	each BEARING, CLUTCH HUB ASSEMBLY, <b>**5-SPEED**</b> BIG TWIN 2011-2017
A-38505-52	38505-52	each BEARING, CLUTCH BOOSTER ARM, (TORRINGTON) BIG TWIN 1952-1967
A-43577-67	43577-67	each BEARING, WHEEL HUB AND BRAKE DRUM, BIG TWIN 1967-1972
A-47082-81	47082-81	each BEARING, REAR SWING ARM, (ASSEMBLY) BIG TWIN 1991-1996, SPORT. 1981-1999
A-47082-95	47082-95	each BEARING, REAR SWING ARM, (CUP & CONE) BIG TWIN 1991-1996, SPORT. 1981-PRES.
A-47521-52	47521-52	each BEARING, REAR SWING ARM, (CUP & CONE) SPORTSTER 1952-1973
A-47521-74	47521-74	each BEARING, REAR SWING ARM, (CUP & CONE) SPORTSTER 1974-1981
A-48300-49	48300-49	each BEARING, FRONT FORK NECK CUP, (CUP & CONE) BIG TWIN 1948-1959
A-48300-60	48300-60	each BEARING, FRONT FORK NECK CUP, (CUP & CONE) BIG TWIN 1960-PRES., SP. 1982-P.
A-48302-85	48302-85	each BEARING, MOTOR SPROCKET, (CUP & CONE ONLY) SPORTSTER 1977-2003



**V-13-253  
(37000168)**



# **\*\*EASTERN MOTORCYCLE PARTS\*\***

## **\*\*BRONZE BUSHINGS\*\***

**\*\*BIG TWIN/SPORTSTER/FORTY-FIVE\*\***

**\*\*MASTER LISTING\*\***



<u>EASTERN NUMBER</u>	<u>REPLACES OEM</u>	<u>DESCRIPTION</u>
A-293-13	293-13	pair BUSHING, PISTON PINS (STD) BIG TWIN 1913-1923, FD & JD 1924-ONLY
A-293-13B	293-13	pair BUSHING, PISTON PINS (.002) BIG TWIN 1913-1923, FD & JD 1924-ONLY
A-293-13C	293-13	pair BUSHING, PISTON PINS (.005) BIG TWIN 1913-1923, FD & JD 1924-ONLY
A-293-24	293-24	pair BUSHING, PISTON PINS (STD) BIG TWIN 1924-1929 <b>**EASTERNS**</b>
A-293-24B	293-24	pair BUSHING, PISTON PINS (.002) BIG TWIN 1924-1929 <b>**EASTERNS**</b>
A-293-24C	293-24	pair BUSHING, PISTON PINS (.005) BIG TWIN 1924-1929 <b>**EASTERNS**</b>
A-293-31	293-31	pair BUSHING, PISTON PINS (STD) FORTY-FIVE 1931-1936 <b>**EASTERNS**</b>
A-293-31B	293-31	pair BUSHING, PISTON PINS (.002) FORTY-FIVE 1931-1936 <b>**EASTERNS**</b>
A-293-31C	293-31	pair BUSHING, PISTON PINS (.005) FORTY-FIVE 1931-1936 <b>**EASTERNS**</b>
A-294-36A	294-36A	pair BUSHING, PISTON PIN, (STD) <b>**V.L. MODEL 74 &amp; 80**</b> BIG TWIN 1930-1936
A-294-36B	294-36B	pair BUSHING, PISTON PIN, (.002) <b>**V.L. MODEL 74 &amp; 80**</b> BIG TWIN 1930-1936
A-294-36C	294-36C	pair BUSHING, PISTON PIN, (.005) <b>**V.L. MODEL 74 &amp; 80**</b> BIG TWIN 1930-1936
A-413-15	413-15	each CASE BUSHING, <b>**RIGHT SIDE** (BRONZE)</b> BIG TWIN 1915-1929
A-413-30	413-30	each BUSHING, CRANKCASE, <b>**RIGHT SIDE** (SIDE VALVE)</b> , BIG TWIN 1930-1936
A-660-29	660-29	each BUSHING, CAM GEAR SHAFT, LEFT SIDE, <b>**BRONZE**</b> FORTY-FIVE 1929-1936
A-660-30	660-30	each BUSHING, CAM GEAR SHAFT, (SIDE VALVE), BIG TWIN 1930-1936
A-662-26	662-26	each BUSHING, CAM GEAR SHAFT, RIGHT SIDE, <b>**BRONZE**</b> F/F 1929-'33, SINGLES 1926-1934
A-662-29	662-29	each BUSHING, TIMER SHAFT, <b>**RIGHT SIDE**</b> BIG TWIN 1930-1936, FORTY-FIVE 1930-1936
A-662-30	662-30	each BUSHING, CAM GEAR SHAFT, <b>**RIGHT SIDE**</b> BIG TWIN 1930-1936, FORTY-FIVE 1934-'36
A-662-34	662-34	each BUSHING, OILER DRIVE SHAFT, <b>**RIGHT SIDE**</b> BIG TWIN 1934-1936, F-F 1934-1936
A-3113-29	3113-29	each BUSHING, SEAT POST, <b>**IN FRAME**</b> FORTY-FIVE 1929-1973, V.L.s 1930-1936
A-17428-57	17428-57	pk-4 BUSHINGS, ROCKER ARMS, <b>**660 SOLID BRONZE**</b> BIG TWIN 1966-PRES. SP. 1957-P.
A-17428-57A	17428-57	pk-4 BUSHINGS, ROCKER ARMS, <b>**SPLIT-OEM STYLE**</b> BIG TWIN 1966-PRES. SP. 1957-P.
A-24316-99	24316-99	pair BUSHINGS, PISTON PINS, (STD) <b>**2-CAM**</b> BIG TWIN 1999-2006
A-24331-36	24331-36	pair BUSHINGS, PISTON PINS, (STD) SPORTSTER 1957-PRESENT, FORTY-FIVE 1932-1973
A-24331-78		pair BUSHINGS, PISTON PINS, (.002) SPORTSTER 1957-PRESENT, FORTY-FIVE 1932-1973
A-24331-80		pair BUSHINGS, PISTON PINS, (.005) SPORTSTER 1957-PRESENT, FORTY-FIVE 1932-1973
A-24332-36	24332-36	pair BUSHINGS, PISTON PINS, (.010) SPORTSTER 1957-PRESENT, FORTY-FIVE 1932-1973
A-24334-36	24334-36	pair BUSHINGS, PISTON PINS, (STD) BIG TWIN 1936-1999
A-24334-78		pair BUSHINGS, PISTON PINS, (.002) BIG TWIN 1936-1999
A-24334-80		pair BUSHINGS, PISTON PINS, (.005) BIG TWIN 1936-1999
A-24335-36	24335-36	pair BUSHINGS, PISTON PINS, (.010) BIG TWIN 1936-1999
A-24641-36	24641-36	each BUSHING, OIL PUMP DRIVE SHAFT, BIG TWIN 1936-1999
A-25344-99	25344-99	each BUSHING, CAMSHAFT, BIG TWIN 1999-2005, <b>**MADE IN U.S.A.**</b>

# **\*\*EASTERN MOTORCYCLE PARTS\*\***

## **\*\*BRONZE BUSHINGS\*\***

### **\*\*BIG TWIN/SPORTSTER/FORTY-FIVE\*\***

#### **\*\*MASTER LISTING\*\***

<b>EASTERN NUMBER</b>	<b>REPLACES OEM</b>		<b>DESCRIPTION</b>
A-25581-36	25581-36	each	BUSHING, CAM GEAR, **IN COVER** BIG TWIN 1936-1969, **MADE IN U.S.A.**
A-25581-36+5	25581-36	each	BUSHING, CAM GEAR, **IN COVER** (.005 O/S) BIG TWIN 1936-1969, **MADE IN U.S.A.**
A-25581-36+10	25581-36	each	BUSHING, CAM GEAR, **IN COVER** (.010 O/S) BIG TWIN 1936-1969, **MADE IN U.S.A.**
A-25581-70	25581-70	each	BUSHING, CAM GEAR, **IN COVER** BIG TWIN 1970-1999, **MADE IN U.S.A.**
A-25581-70+5	25581-70	each	BUSHING, CAM GEAR, **IN COVER** (.005 O/S) BIG TWIN 1970-1999, **MADE IN U.S.A.**
A-25581-70+10	25581-70	each	BUSHING, CAM GEAR, **IN COVER** (.010 O/S) BIG TWIN 1970-1999, **MADE IN U.S.A.**
A-25582-36	25582-36	each	BUSHING, PINION SHAFT, **IN COVER** BIG TWIN 1936-1954, **MADE IN U.S.A.**
A-25582-36+5	25582-36	each	BUSHING, PINION SHAFT, **IN COVER** (.005 O/S) BIG TWIN 1936-1954, **MADE IN U.S.A.**
A-25582-36+10	25582-36	each	BUSHING, PINION SHAFT, **IN COVER** (.010 O/S) BIG TWIN 1936-1954, **MADE IN U.S.A.**
A-25582-54A	25582-54A	each	BUSHING, PINION SHAFT, **IN COVER** BIG TWIN 1955-1973, **MADE IN U.S.A.**
A-25582-73	25582-73	each	BUSHING, PINION SHAFT, **IN COVER** BIG TWIN 1973-1992, **MADE IN U.S.A.**
A-25582-73+5	25582-73	each	BUSHING, PINION SHAFT, **IN COVER** (.005 O/S) BIG TWIN 1973-1992, **MADE IN U.S.A.**
A-25582-73+10	25582-73	each	BUSHING, PINION SHAFT, **IN COVER** (.010 O/S) BIG TWIN 1973-1992, **MADE IN U.S.A.**
A-25582-93	25582-93	each	BUSHING, PINION SHAFT, **IN COVER** BIG TWIN 1993-1999, **MADE IN U.S.A.**
A-25582-93+5	25582-93	each	BUSHING, PINION SHAFT, **IN COVER** (.005 O/S) BIG TWIN 1993-1999, **MADE IN U.S.A.**
A-25586-37	25586-37	each	BUSHING, CAM GEAR COVER (1-3-4) SPORTSTER 1952-PRES., FLATHEAD 1937-1973
A-25586-37+5	25586-37	each	BUSHING, CAM GEAR COVER (1-3-4) (.005 O/S) SPORT. 1952-P., FLATHEAD 1937-1973
A-25586-37+10	25586-37	each	BUSHING, CAM GEAR COVER (1-3-4) (.010 O/S) SPORT. 1952-P., FLATHEAD 1937-1973
A-25588-37	25588-37	each	BUSHING, CAM GEAR (#-2 CAM) FORTY-FIVE 1937-1973, SIDE VALVE 1937-1948, U.S.A.
A-25588-57	25588-57	each	BUSHING, CAM GEAR (#-2 CAM) SPORTSTER 1957-1990, **MADE IN U.S.A.**
A-25588-57+5	25588-57	each	BUSHING, CAM GEAR (#-2 CAM), (.005 O/S) SPORTSTER 1957-1990 **MADE IN USA**
A-25588-57+10	25588-57	each	BUSHING, CAM GEAR (#-2 CAM), (.010 O/S) SPORTSTER 1957-1990 **MADE IN USA**
A-25588-80			BUSHING KIT, CAM GEAR, SPORTSTER 1957-1990 KIT INCL: (3) 25586-37 & (1) 25588-57
A-25588-91	25588-91	each	BUSHING, CAM GEAR, SPORTSTER 1991-PRESENT **MADE IN U.S.A.**
A-25590-37	25590-37	each	BUSHING, CAM GEAR OIL PUMP DRIVE, FORTY-FIVE 1937-1973, SIDE VALVE 1937-1948
A-25591-37	25591-37	each	BUSHING, PINION GEAR SHAFT, **IN COVER** BIG TWIN 1937-1948, **MADE IN U.S.A.**
A-25593-37	25593-37	each	BUSHING, PINION GEAR SHAFT, **IN COVER** FORTY-FIVE 1936-1954 **MADE IN U.S.A.**
A-25593-52	25593-52	each	BUSHING, PINION SHAFT, SPORTSTER 1952-1956, **MADE IN U.S.A.**
A-25593-57	25593-57	each	BUSHING, PINION SHAFT, SPORTSTER 1957-1977, **MADE IN U.S.A.**
A-25593-57+5	25593-57	each	BUSHING, PINION SHAFT, (.005 OVERSIZE) SPORTSTER 1957-1977, **MADE IN U.S.A.**
A-25593-74	25593-74	each	BUSHING, PINION SHAFT, SPORTSTER 1977-PRESENT, **MADE IN U.S.A.**
A-25594-75A	25594-75	pk-5	BUSHINGS, BRAKE PEDAL SHAFT, SPORTSTER 1977-1981, **MADE IN U.S.A.**
A-25595-37	25595-37	each	BUSHING, CAM GEAR, (#-3) **IN COVER** SPORT. 1952-1956, FORTY-FIVE 1937-1973
A-25595-52	25595-52	each	BUSHING, CAM GEAR COVER, (#-1 REAR EXHAUST) SPORTSTER 1952-1956
A-25595-52+5	25595-52	each	BUSHING, CAM GEAR COVER, (.005 O/S) (#-1 REAR EXHAUST) SPORTSTER 1952-1956
A-25595-52+10	25595-52	each	BUSHING, CAM GEAR COVER, (.010 O/S) (#-1 REAR EXHAUST) SPORTSTER 1952-1956
A-25597-36	25597-36	each	BUSHING, CAM GEAR, **IN CRANKCASE** BIG TWIN 1936-1957 **MADE IN U.S.A.**
A-25597-36+5	25597-36	each	BUSHING, CAM GEAR, (.005 O/S) BIG TWIN 1936-1957 **MADE IN U.S.A.**
A-25597-57	25597-57	pair	BUSHINGS, IDLER SHAFT, SPORTSTER 1957-1984, **MADE IN U.S.A.**
A-25597-57+5	25597-57	pair	BUSHINGS, IDLER SHAFT, (.005 OVERSIZE) SPORTSTER 1957-1984, **MADE IN U.S.A.**
A-25598-91	25598-91	each	BUSHING, CAM GEAR, **IN CRANKCASE** SPORTSTER 1991-PRESENT **MADE IN USA**
A-25598-91+5	25598-91	each	BUSHING, CAM GEAR COVER, (.005 OVERSIZE) SPORTSTER 1952-PRESENT
A-25598-91+10	25598-91	each	BUSHING, CAM GEAR COVER, (.010 OVERSIZE) SPORTSTER 1952-PRESENT
A-25599-37	25599-37	each	BUSHING, CAM GEAR, FLATHEAD 1937-1948 **MADE IN U.S.A.**
A-25599-37+5	25599-37	each	BUSHING, CAM GEAR, (.005 OVERSIZE) FLATHEAD 1937-1948 **MADE IN U.S.A.**
A-25599-37+10	25599-37	each	BUSHING, CAM GEAR, (.010 OVERSIZE) FLATHEAD 1937-1948 **MADE IN U.S.A.**
A-25601-37A	25601-37A	each	BUSHING, CAM GEAR, **IN CRANKCASE** SPORT. 1937-1973, FORTY-FIVE 1937-1973
A-25601-37A+5	25601-37A	each	BUSHING, CAM GEAR, (.005 OVERSIZE) SPORTSTER 1937-1973, FORTY-FIVE 1937-1973
A-25601-37+10	25601-37A	each	BUSHING, CAM GEAR, (.010 OVERSIZE) SPORTSTER 1937-1973, FORTY-FIVE 1937-1973
A-25785-30A	25785-30A	pair	BUSHINGS, IDLER GEAR STUD, BIG TWIN 1936-1969, FORTY-FIVE 1932-1973
A-26431-76	26431-76	pk-5	BUSHING, OIL PUMP COVER, **OIL-LITE** SPORTSTER 1977-1990
A-26489-75	26489-75	pk-5	BUSHING, OIL PUMP BODY, **OIL-LITE** SPORTSTER 1977-1990
A-30148-58	30148-58	pk-5	BUSHING, GENERATOR END COVER, **OIL-LITE** B/T 1958-1964, SPORT. 1958-1964

**\*5120 HILDA ROAD\* BLACKVILLE, S.C. 29817\* 803-284-3304\***

# **\*\*EASTERN MOTORCYCLE PARTS\*\***

## **\*\*BRONZE BUSHINGS\*\***

### **\*\*BIG TWIN/SPORTSTER/FORTY-FIVE\*\***

#### **\*\*MASTER LISTING\*\***

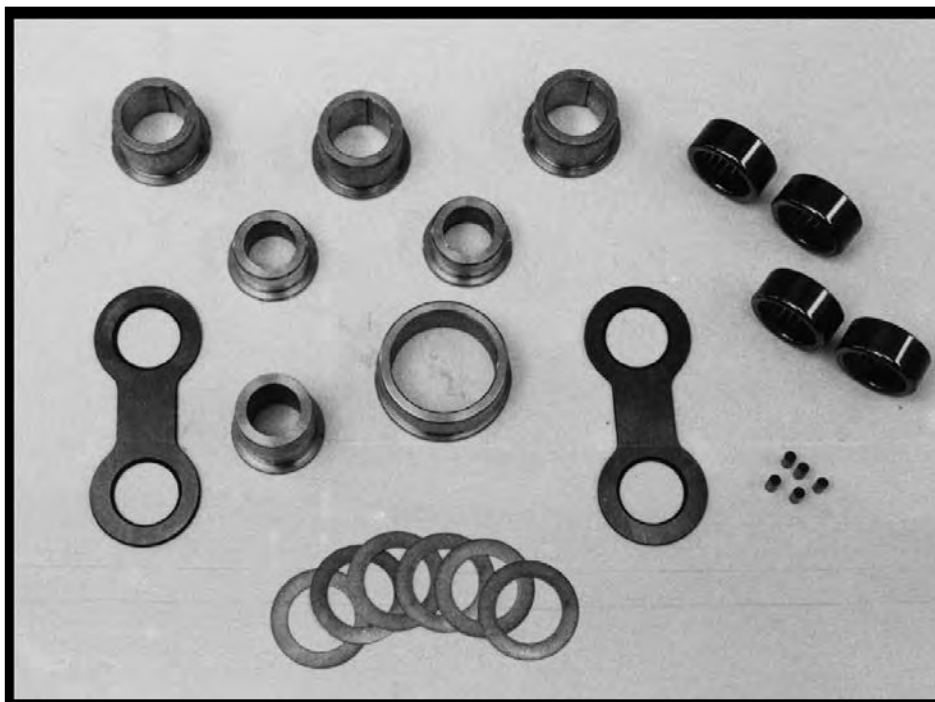
<b>EASTERN NUMBER</b>	<b>REPLACES OEM</b>		<b>DESCRIPTION</b>
A-32525-36A	32525-36A	each	BUSHING, CIRCUIT BREAKER HOUSING, BIG TWIN 1936-1969, SPORTSTER 1958-1970
A-33099-52A	33099-52A	pair	BUSHINGS, KICK STARTER SHAFT, SPORTSTER 1954-1979
A-33099-80		pair	BUSHING KIT, KICK STARTER SHAFT, <b>**WITH SEAL**</b> SPORTSTER 1954-1979
A-33101-32	33101-32	each	BUSHING, STARTER SHAFT, (SERVI-CAR) FORTY-FIVE 1932-1973
A-33288-37	33288-37	pair	BUSHING KIT, KICK STARTER COVER, <b>**WITH SEAL**</b> BIG TWIN 1937-1984
A-33438-50	33438-50	each	BUSHING, STARTER RATCHET GEAR, BIG TWIN 1931-1969
A-33438-50A	33438-50	each	BUSHING, STARTER RATCHET GEAR, <b>**OVERSIZE .928 O.D.**</b> BIG TWIN 1931-1969
A-33442-57A	33442-57A	each	BUSHING, STARTER RATCHET GEAR, SPORTSTER 1957-1973
A-33442-73	33442-73	each	BUSHING, STARTER RATCHET GEAR, SPORTSTER 1973-1979
A-33445-89	33445-89	each	BUSHING, INNER PRIMARY COVER, <b>**BRONZE**</b> BIG TWIN 1983-1993
A-33446-94	33446-94	each	BUSHING, INNER PRIMARY COVER, <b>**BRONZE**</b> BIG TWIN 1994-2006
A-34037-52	34037-52	pair	BUSHINGS, SHIFTER SHAFT LEVER, <b>**OIL-LITE**</b> SPORTSTER 1952-1974 & 1979-1985
A-34037-75	34037-75	each	BUSHING, BRAKE PEDAL HOLE, SPORTSTER 1975-1976
A-34076-89	34076-89	pair	BUSHINGS, SHIFTER SHAFT LEVER, <b>**OIL-LITE**</b> SPORTSTER 1989-2003
A-34076-02A	34076-02A	pk-5	BUSHINGS, SHIFTER SHAFT LEVER, <b>**OIL-LITE**</b> SPORTSTER 2004-PRESENT
A-34427-38	34427-38	each	BUSHING, SHIFTER SHAFT, <b>**SMALL**</b> FORTY-FIVE 1938-1973
A-34430-36	34430-36	each	BUSHING, SHIFTER SHAFT, <b>**HAND SHIFT**</b> BIG TWIN 1937-1976
A-34432-38	34432-38	each	BUSHING, SHIFTER SHAFT, <b>**LARGE**</b> FORTY-FIVE 1938-1973
A-34435-52	34435-52	each	BUSHING, SHIFTER SHAFT, <b>**FOOT SHIFT**</b> BIG TWIN 1941-1978
A-34498-52	34498-52	each	BUSHING, PAWL CARRIER, <b>**4-SPEED**</b> BIG TWIN 1952-1978
A-34898-79	34898-79	each	BUSHING, BRAKE PIVOT SHAFT, SPORTSTER 1978-ONLY
A-35094-65	35094-65	each	BUSHING, MAIN DRIVE GEAR, <b>**4-SPEED**</b> BIG TWIN 1931-1984
A-35316-41	35316-41	each	BUSHING, LOW GEAR, FORTY-FIVE 1941-1973
A-35320-41	35320-41	each	BUSHING, SECOND GEAR, FORTY-FIVE 1941-1973
A-35322-38	35322-38	each	BUSHING, 3RD GEAR, BIG TWIN 1937-1959
A-35326-33	35326-33	each	BUSHING, REVERSE GEAR, FORTY-FIVE 1933-1973
A-35787-52	35787-52	each	BUSHING, LOW GEAR, <b>**COUNTERSHAFT**</b> SPORTSTER 1952-1972
A-35787-72	35787-72	each	BUSHING, LOW GEAR, <b>**COUNTERSHAFT**</b> SPORTSTER 1972-1985
A-35789-36	35789-36	each	BUSHING, LOW GEAR, <b>**COUNTERSHAFT**</b> BIG TWIN 1937-1984
A-35791-36	35791-36	each	BUSHING, SECOND GEAR, <b>**COUNTERSHAFT**</b> BIG TWIN 1937-1984
A-36035-26	36035-26	each	BUSHING & CAP, COUNTERSHAFT, <b>**LEFT SIDE**</b> FORTY-FIVE 1929-1973
A-36038-26		each	BUSHING ONLY, <b>**FOR CAP**</b> COUNTERSHAFT, <b>**LEFT SIDE**</b> FORTY-FIVE 1929-1973
A-36042-41	36042-41	each	BUSHING, SIDE COVER, <b>**COUNTERSHAFT**</b> FORTY-FIVE 1941-1973
A-36857-36	36857-36	pk-5	BUSHING, FOOT SHIFTER BRACKET, BIG TWIN 1937-1984, FORTY-FIVE 1937-1973
A-37458-41	37458-41	each	BUSHING, CLUTCH GEAR, <b>**MAINSHAFT**</b> FORTY-FIVE 1941-1973, <b>**MADE IN U.S.A.**</b>
A-37458-52	37458-52	each	BUSHING, CLUTCH GEAR, <b>**MAINSHAFT**</b> SPORTSTER 1954-1985, <b>**MADE IN U.S.A.**</b>
A-40520-63	40520-63	pk-5	BUSHING, SHIFTER SHAFT, <b>**OIL-LITE**</b> SPORTSTER 1986-2005
A-44180-30	44180-30	each	BUSHING, FRONT BRAKE SIDE PLATE, FORTY-FIVE 1941-1952, <b>**MADE IN U.S.A.**</b>
A-44180-36	44180-36	each	BUSHING, FRONT BRAKE SIDE PLATE, BIG TWIN 1937-1948, SERVICE-CAR 1941-1952
A-45818-52	45818-52	each	BUSHING, FRONT FORK TUBE, SPORTSTER 1954-1972
A-45818-SET		set-4	BUSHINGS, FRONT FORK TUBE, <b>**SET-4**</b> SPORTSTER 1954-1972
A-45823-49	45823-49	each	BUSHINGS, LOWER FORK TUBE LEGS, (LONG), BIG TWIN 1949-1977
A-45824-49	45824-49	each	BUSHINGS, UPPER FORK TUBE LEGS, (SHORT), BIG TWIN 1949-1977
A-45824-SET		set-4	BUSHINGS, FORK TUBE LEGS, <b>**UPPER AND LOWER**</b> BIG TWIN 1949-1977
A-45972-48	45972-48	pair	BUSHINGS, FRONT FORK TUBES, <b>**TAPER**</b> BIG TWIN 1949-1977
A-47083-81A	47083-81A	each	BUSHING, REAR FORK SWING ARM PIVOT BOLT, SPORTSTER 1982-2003
A-47094-58	47094-58	each	BUSHING, SEAT POST IN FRAME, BIG TWIN 1958-1980
A-3113-29	47581-29	each	BUSHING, SEAT POST IN FRAME, FORTY-FIVE 1929-1973, V.L. 1930-1936
A-47583-36	47583-36	each	BUSHING, SEAT POST IN FRAME, BIG TWIN 1936-1957
A-47755-31	47755-31	pair	BUSHING, BRAKE CROSS SHAFT, <b>**660 BRONZE**</b> BIG TWIN 1937-1957
A-47757-52	47757-52	pair	BUSHING, BRAKE CROSS SHAFT, <b>**OIL-LITE**</b> SPORTSTER 1952-1977
A-53158-98	53158-98	pair	BUSHINGS, KICKSTAND ( <b>BRONZE</b> ) SPORTSTER 1989-2003
A-53176-08	53176-08	pair	BUSHINGS, KICKSTAND ( <b>BRONZE</b> ) SPORTSTER 2007-PRESENT
A-60593-74	60593-74	pk-5	BUSHING, INNER PRIMARY COVER, <b>**OIL-LITE**</b> BIG TWIN 1974-1984

# **\*\*EASTERN MOTORCYCLE PARTS\*\***

## **\*\*CAM BUSHING KITS\*\***

**\*\*BIG TWIN/SPORTSTER/FORTY-FIVE\*\***

**\*\*MASTER LISTING\*\***



<b><u>EASTERN NUMBER</u></b>	<b><u>REPLACES OEM</u></b>	<b><u>DESCRIPTION</u></b>
15-0111	25575-37	BUSHING KIT, CAM & GEAR SHAFT, FORTY-FIVE 1937-1973 <b>KIT INCL: (9) 275,(6) 6767, (4) 25601-37A, &amp; (1each) 25586-37, 25588-37, 25590-37, 25593-37, 25595-37, 25785-30A</b>
15-0113	25576-37	BUSHING KIT, CAM & GEAR SHAFT, BIG TWIN 1937-1948 <b>KIT INCLUDES: (9) 275, (6) 6767, (4) 25599-37, (2) 25586-37, &amp; (1each) 25588-37, 25590-37, 25591-37, 25785-30A</b>
15-0117	25577-36	BUSHING KIT, CAM & GEAR SHAFT, BIG TWIN 1936-1953 <b>KIT INCLUDES: (3) 275, (1) 25551-36, (1) 25581-36, (1) 25582-36, (1) 25597-36, (3) 25785-30A</b>
15-0123	25577-54	BUSHING KIT, CAM & GEAR SHAFT, BIG TWIN 1954-1957 <b>KIT INCLUDES: (3) 275, (1) 25550-36, (1) 25581-36, (1) 25582-54, (1) 25597-36, (3) 25785-30A</b>
15-0127	25577-58	BUSHING KIT, CAM & GEAR SHAFT, BIG TWIN 1958-1969 <b>KIT INCLUDES: (2) 275, (1) 9058, (1) 25550-57, (1) 25581-36, (1) 25582-54, (3) 25785-30A</b>
15-0129	25577-70	BUSHING KIT, CAM & GEAR SHAFT, BIG TWIN 1970-1972 <b>KIT INCLUDES: (2) 275, (1) 9058, (1) 25550-57, (1) 25581-70, (1) 25582-54</b>
15-0131	25577-73	BUSHING KIT, CAM & GEAR SHAFT, BIG TWIN 1973-1992 <b>KIT INCLUDES: (2) 275, (1) 9058, (1) 25550-57, (1) 25581-70, (1) 25582-73</b>
15-0133	25577-93	BUSHING KIT, CAM & GEAR SHAFT, BIG TWIN 1993-1999, <b>KIT INCLUDES: (2) 275, (1) 9058, (1) 25550-57, (1) 25581-70, (1) 25582-93</b>
15-0143	25579-52	BUSHING KIT, CAM & GEAR SHAFT, SPORTSTER 1952-1956 <b>KIT INC: (9) 271,(6) 6769, (4) 25601-37A, &amp; (1each) 25586-37, 25588-37, 25593-52, 25595-37, 25595-52, 25785-30A</b>
15-0145	25579-57	BUSHING KIT, CAM & GEAR SHAFT, SPORTSTER 1957-1977 <b>KIT INCLUDES: (5) 275, (6) 6769, (4) 9057, (2) 25551-58, (3) 25586-37, (1) 25588-57, (2) 25597-57, (1) 25593-57</b>
15-0149	25579-77	BUSHING KIT, CAM & GEAR SHAFT, SPORTSTER 1977-1985 <b>KIT INCLUDES: (5) 275, (6) 6769, (4) 9057, (2) 25551-58, (3) 25586-37, (1) 25588-57, (2) 25597-57, (1) 25593-74</b>
15-0153	25579-86	BUSHING KIT, CAM & GEAR SHAFT, SPORTSTER 1986-1990 <b>KIT INCLUDES: (5) 275, (6) 6769, (4) 9057, (2) 25551-58, (3) 25586-37, (1) 25588-57, (1) 25593-74</b>
15-0157		BUSHING KIT, CAM & GEAR SHAFT, SPORTSTER 1991-PRESENT <b>KIT INCLUDES: (9) 275, (6) 6769, (1) 6773, (1) 6775, (3) 25586-37, (1) 25588-91, (1) 25593-74, (4) 25598-91</b>
15-0220		BUSHING KIT, WITH GASKET, <b>**4-SPEED TRANS**</b> BIG TWIN 1952-1976

# **\*\*EASTERN MOTORCYCLE PARTS\*\***

## **\*\*CASE BUSHINGS\*\***

**\*\*BIG TWIN/SPORTSTER/FORTY-FIVE\*\***

**\*\*MASTER LISTING\*\***



**\*\*ALL CASE BUSHINGS ARE MADE IN THE U.S.A. BY EASTERN\*\***

<b>EASTERN NUMBER</b>	<b>REPLACES OEM</b>	<b>DESCRIPTION</b>
A-413-15	413-15	CASE BUSHING, **RIGHT SIDE** (BRONZE) BIG TWIN 1915-1929
A-413-29	413-29	CASE BUSHING, **RIGHT SIDE** (STD) (BRONZE) 45" TWINS 1929-1936 <b>**EASTERN**</b>
A-413-29B	413-29	CASE BUSHING, **RIGHT SIDE** (.002) (BRONZE) 45" TWINS 1929-1936 <b>**EASTERN**</b>
A-413-36	413-36	CASE BUSHING, **RIGHT SIDE** (STD) **SIDE VALVE** BIG TWIN 1936-1939
A-413-36B	413-36B	CASE BUSHING, **RIGHT SIDE** (.002) **SIDE VALVE** BIG TWIN 1936-1939
A-413-36C	413-36C	CASE BUSHING, **RIGHT SIDE** (.005) **SIDE VALVE** BIG TWIN 1936-1939
A-413-36D		CASE BUSHING, **RIGHT SIDE** (.010) **SIDE VALVE** BIG TWIN 1936-1939
A-413-36E		CASE BUSHING, **RIGHT SIDE** (.015) **SIDE VALVE** BIG TWIN 1936-1939
A-413-37A	413-37A	CASE BUSHING, **RIGHT SIDE** (STD) FORTY-FIVE 1937-1938 <b>**EASTERN**</b>
A-413-37B		CASE BUSHING, **RIGHT SIDE** (.002) FORTY-FIVE 1937-1938 <b>**EASTERN**</b>
A-413-37C		CASE BUSHING, **RIGHT SIDE** (.005) FORTY-FIVE 1937-1938 <b>**EASTERN**</b>
A-413-37D		CASE BUSHING, **RIGHT SIDE** (.010) FORTY-FIVE 1937-1938 <b>**EASTERN**</b>
A-416-17	416-17	CASE BUSHING, **LEFT SIDE** (STD) **61 & 74** TWINS 1917-1924 <b>**EASTERN**</b>
A-416-17B	416-17	CASE BUSHING, **LEFT SIDE** (.002) **61 & 74** TWINS 1917-1924 <b>**EASTERN**</b>
A-416-17C	416-17	CASE BUSHING, **LEFT SIDE** (.005) **61 & 74** TWINS 1917-1924 <b>**EASTERN**</b>
A-416-25	416-25	CASE BUSHING, **LEFT SIDE** (STD) **61 & 74** TWINS 1925-1929 <b>**EASTERN**</b>
A-416-25B	416-25	CASE BUSHING, **LEFT SIDE** (.002) **61 & 74** TWINS 1925-1929 <b>**EASTERN**</b>
A-416-25B	416-25	CASE BUSHING, **LEFT SIDE** (.005) **61 & 74** TWINS 1925-1929 <b>**EASTERN**</b>
A-416-29	416-29	CASE BUSHING, **LEFT SIDE** (STD) DL & RL SERIES, 45 TWINS 1929-1936 <b>EASTERN</b>
A-416-29A	416-29	CASE BUSHING, **LEFT SIDE** (.002) DL & RL SERIES, 45 TWINS 1929-1936 <b>EASTERN</b>
A-416-29B	416-29	CASE BUSHING, **LEFT SIDE** (.005) DL & RL SERIES, 45 TWINS 1929-1936 <b>EASTERN</b>
A-416-30	416-30	CASE BUSHING, **LEFT SIDE** (STD) **SIDE VALVE** BIG TWIN 1930-1936
A-416-30B	416-30B	CASE BUSHING, **LEFT SIDE** (.002) **SIDE VALVE** BIG TWIN 1930-1936
A-416-30C	416-30C	CASE BUSHING, **LEFT SIDE** (.005) **SIDE VALVE** BIG TWIN 1930-1936
A-416-30D	416-30D	CASE BUSHING, **LEFT SIDE** (.010) **SIDE VALVE** BIG TWIN 1930-1936
A-416-36	416-36	CASE BUSHING, **LEFT SIDE** (STD) **SIDE VALVE** BIG TWIN 1936-1939
A-416-36B	416-36B	CASE BUSHING, **LEFT SIDE** (.002) **SIDE VALVE** BIG TWIN 1936-1939
A-416-36C	416-36C	CASE BUSHING, **LEFT SIDE** (.005) **SIDE VALVE** BIG TWIN 1936-1939
A-416-36D		CASE BUSHING, **LEFT SIDE** (.010) **SIDE VALVE** BIG TWIN 1936-1939
A-416-37	416-37	CASE BUSHING, **LEFT SIDE** (STD) **FLATHEAD** FORTY-FIVE 1937-1938
A-416-37B	416-37	CASE BUSHING, **LEFT SIDE** (.002) **FLATHEAD** FORTY-FIVE 1937-1938
A-416-37C	416-37	CASE BUSHING, **LEFT SIDE** (.005) **FLATHEAD** FORTY-FIVE 1937-1938
A-416-37D	416-37	CASE BUSHING, **LEFT SIDE** (.010) **FLATHEAD** FORTY-FIVE 1937-1938

**\*\*CONTINUED NEXT PAGE\*\***

# **\*\*EASTERN MOTORCYCLE PARTS\*\***

## **\*\*CASE BUSHINGS\*\***

### **\*\*BIG TWIN/SPORTSTER/FORTY-FIVE\*\***

#### **\*\*MASTER LISTING\*\***

<b><u>EASTERN NUMBER</u></b>	<b><u>REPLACES OEM</u></b>	<b><u>DESCRIPTION</u></b>
A-24585-39	24585-39	CASE BUSHING, **RIGHT SIDE** (STD) FORTY-FIVE 1939-1973
A-24586-39	24586-39	CASE BUSHING, **RIGHT SIDE** (.002) FORTY-FIVE 1939-1973
A-24587-39	24587-39	CASE BUSHING, **RIGHT SIDE** (.005) FORTY-FIVE 1939-1973
A-24588-39		CASE BUSHING, **RIGHT SIDE** (.010) FORTY-FIVE 1939-1973
A-24585-52	24585-52	CASE BUSHING, **RIGHT SIDE** (STD) **K-MODEL** SPORTSTER 1952-1953
A-24585-53A		CASE BUSHING, **RIGHT SIDE** (.002) **K-MODEL** SPORTSTER 1952-1953
A-24585-54A		CASE BUSHING, **RIGHT SIDE** (.005) **K-MODEL** SPORTSTER 1952-1953
A-24585-55A		CASE BUSHING, **RIGHT SIDE** (.010) **K-MODEL** SPORTSTER 1952-1953
A-24585-57	24585-57	CASE BUSHING, **RIGHT SIDE** (STD) SPORTSTER 1957-1976
A-24585-78		CASE BUSHING, **RIGHT SIDE** (.002) SPORTSTER 1957-1976
A-24585-79		CASE BUSHING, **RIGHT SIDE** (.005) SPORTSTER 1957-1976
A-24585-80		CASE BUSHING, **RIGHT SIDE** (.010) SPORTSTER 1957-1976
A-24595-40	24595-40	CASE BUSHING, **RIGHT SIDE** (STD) BIG TWIN 1940-1948
A-24596-40	24596-40	CASE BUSHING, **RIGHT SIDE** (.002) BIG TWIN 1940-1948
A-24597-40	24597-40	CASE BUSHING, **RIGHT SIDE** (.005) BIG TWIN 1940-1948
A-24598-40		CASE BUSHING, **RIGHT SIDE** (.010) BIG TWIN 1940-1948
A-24598-40B		CASE BUSHING, **RIGHT SIDE** (.015) BIG TWIN 1940-1948
A-24599-40	24599-40	CASE BUSHING, **RIGHT SIDE** (STD) BIG TWIN 1940-1954
A-24599-55	24599-55	CASE BUSHING, **RIGHT SIDE** (STD) BIG TWIN 1955-1957
A-24599-58		CASE BUSHING, **RIGHT SIDE** (STD) BIG TWIN 1958-1992
A-24599-58B	24599-58B	CASE BUSHING, **RIGHT SIDE** (STD) BIG TWIN 1958-1999 **LATE STYLE**
A-24600-40	24600-40	CASE BUSHING, **RIGHT SIDE** (.002) BIG TWIN 1940-1954
A-24600-55	24600-55	CASE BUSHING, **RIGHT SIDE** (.002) BIG TWIN 1955-1957
A-24600-58		CASE BUSHING, **RIGHT SIDE** (.002) BIG TWIN 1958-1992
A-24600-58B	24600-58B	CASE BUSHING, **RIGHT SIDE** (.002) BIG TWIN 1958-1999 **LATE STYLE**
A-24601-40	24601-40	CASE BUSHING, **RIGHT SIDE** (.005) BIG TWIN 1940-1954
A-24601-55	24601-55	CASE BUSHING, **RIGHT SIDE** (.005) BIG TWIN 1955-1957
A-24601-58		CASE BUSHING, **RIGHT SIDE** (.005) BIG TWIN 1958-1992
A-24601-58B	24601-58B	CASE BUSHING, **RIGHT SIDE** (.005) BIG TWIN 1958-1999 **LATE STYLE**
A-24601-78		CASE BUSHING, **RIGHT SIDE** (.010) BIG TWIN 1940-1954
A-24601-79		CASE BUSHING, **RIGHT SIDE** (.015) BIG TWIN 1940-1954
A-24601-80		CASE BUSHING, **RIGHT SIDE** (.020) BIG TWIN 1940-1954
A-24601-81		CASE BUSHING, **RIGHT SIDE** (.025) BIG TWIN 1940-1954
A-24601-82		CASE BUSHING, **RIGHT SIDE** (.030) BIG TWIN 1940-1954
A-24601-83		CASE BUSHING, **RIGHT SIDE** (.035) BIG TWIN 1940-1954
A-24601-83C		CASE BUSHING, **RIGHT SIDE** (.040) BIG TWIN 1940-1954
A-24601-84		CASE BUSHING, **RIGHT SIDE** (.010) BIG TWIN 1955-1957
A-24601-85		CASE BUSHING, **RIGHT SIDE** (.015) BIG TWIN 1955-1957
A-24602-58		CASE BUSHING, **RIGHT SIDE** (.010) BIG TWIN 1958-1992
A-24602-58B	24602-58B	CASE BUSHING, **RIGHT SIDE** (.010) BIG TWIN 1958-1999 **LATE STYLE**
A-24602-85		CASE BUSHING, **RIGHT SIDE** (.015) BIG TWIN 1958-1992
A-24602-85B		CASE BUSHING, **RIGHT SIDE** (.015) BIG TWIN 1958-1999 **LATE STYLE**
A-24602-87		CASE BUSHING, **RIGHT SIDE** (.020) BIG TWIN 1958-1992

**\*\*CONTINUED ON NEXT PAGE\*\***

# **\*\*EASTERN MOTORCYCLE PARTS\*\***

## **\*\*CASE BUSHINGS\*\***

**\*\*BIG TWIN/SPORTSTER/FORTY-FIVE\*\***

**\*\*MASTER LISTING\*\***



<b><u>EASTERN NUMBER</u></b>	<b><u>REPLACES OEM</u></b>	<b><u>DESCRIPTION</u></b>
A-24602-87B		CASE BUSHING, <b>**RIGHT SIDE**</b> (.020) BIG TWIN 1958-1999 <b>**LATE STYLE**</b>
A-24602-89		CASE BUSHING, <b>**RIGHT SIDE**</b> (.025) BIG TWIN 1958-1992
A-24602-89B		CASE BUSHING, <b>**RIGHT SIDE**</b> (.025) BIG TWIN 1958-1999 <b>**LATE STYLE**</b>
A-24602-91		CASE BUSHING, <b>**RIGHT SIDE**</b> (.031) BIG TWIN 1958-1992
A-24602-91B		CASE BUSHING, <b>**RIGHT SIDE**</b> (.030) BIG TWIN 1958-1999 <b>**LATE STYLE**</b>
A-24602-92		CASE BUSHING, <b>**RIGHT SIDE**</b> (.035) BIG TWIN 1958-1992
A-24602-93		CASE BUSHING, <b>**RIGHT SIDE**</b> (.040) BIG TWIN 1958-1992
A-24610-39	24610-39	CASE BUSHING, <b>**LEFT SIDE**</b> (STD) FORTY-FIVE 1939-1973
A-24611-39	24611-39	CASE BUSHING, <b>**LEFT SIDE**</b> (.002) FORTY-FIVE 1939-1973
A-24612-39	24612-39	CASE BUSHING, <b>**LEFT SIDE**</b> (.005) FORTY-FIVE 1939-1973
A-24613-39		CASE BUSHING, <b>**LEFT SIDE**</b> (.010) FORTY-FIVE 1939-1973
A-24621-40	24621-40	CASE BUSHING, <b>**LEFT SIDE**</b> (STD) BIG TWIN 1940-1954
A-24622-40	24622-40	CASE BUSHING, <b>**LEFT SIDE**</b> (.002) BIG TWIN 1940-1954
A-24623-40	24623-40	CASE BUSHING, <b>**LEFT SIDE**</b> (.005) BIG TWIN 1940-1954
A-24623-78		CASE BUSHING, <b>**LEFT SIDE**</b> (.010) BIG TWIN 1940-1954
A-24623-79		CASE BUSHING, <b>**LEFT SIDE**</b> (.015) BIG TWIN 1940-1954
A-24623-80		CASE BUSHING, <b>**LEFT SIDE**</b> (.020) BIG TWIN 1940-1954
A-24623-81		CASE BUSHING, <b>**LEFT SIDE**</b> (.025) BIG TWIN 1940-1954
A-24623-82		CASE BUSHING, <b>**LEFT SIDE**</b> (.030) BIG TWIN 1940-1954
A-24623-83		CASE BUSHING, <b>**LEFT SIDE**</b> (.035) BIG TWIN 1940-1954
A-24623-84		CASE BUSHING, <b>**LEFT SIDE**</b> (.040) BIG TWIN 1940-1954
A-2339-17	2339-17	SPACER, SPROCKET SHAFT, (VL MODELS) BIG TWIN 1917-1924 <b>**MADE IN U.S.A.**</b>
A-2339-25	2339-25	SPACER, SPROCKET SHAFT, (VL MODELS) BIG TWIN 1925-1936 <b>**MADE IN U.S.A.**</b>

# **\*\*EASTERN MOTORCYCLE PARTS\*\***

## **\*\*CONNECTING RODS\*\***

### **\*\*AND ROD RACES\*\***

### **\*\*BIG TWIN-SPORTSTER\*\***



<u>EASTERN NUMBER</u>	<u>REPLACES OEM</u>	<u>DESCRIPTION</u>
E-1995	1025-15	ROD RACES, (SET OF 3) <b>**STD**</b> V.L. 1915-1936 <b>**MADE IN U.S.A.**</b>
E-2030	24275-32	ROD ASSEMBLY, COMPLETE, FORTY-FIVE 1932-1973 <b>(SET INCLUDES:)</b> BUSHINGS, ROD RACES, CAGES, ROLLERS, CRANK PIN & NUTS
E-2004	24275-57	ROD ASSEMBLY, SPORTSTER 1957-1981 <b>(SET INCLUDES:)</b> BUSHINGS, ROD RACES, CAGES, ROLLERS, CRANK PIN & NUTS
E-2019	24275-80A	ROD ASSEMBLY, SPORTSTER 1981-1985 <b>(SET INCLUDES:)</b> BUSHINGS, ROD RACES, CAGES, ROLLERS, CRANK PIN & NUTS
E-2020	24275-86A	ROD ASSEMBLY, SPORTSTER 1986-2003 <b>(SET INCLUDES:)</b> BUSHINGS, ROD RACES, CAGES, ROLLERS, CRANK PIN & NUTS
E-2006	24277-36	ROD ASSEMBLY, BIG TWIN 1936-1952 <b>(SET INCLUDES:)</b> BUSHINGS, ROD RACES, CAGES, ROLLERS, CRANK PIN & NUTS
E-2035	24279-37	ROD BLANKS ONLY, <b>**U.L.-SIDE VALVE**</b> BIG TWIN 1937-1948 <b>(INCLUDES:)</b> WRIST PIN BUSHINGS & ROD RACES (.005 O/S)
E-2005	24281-41A	ROD ASSEMBLY, BIG TWIN 1941-1973 <b>(SET INCLUDES:)</b> BUSHINGS, ROD RACES, CAGES, ROLLERS, CRANK PIN & NUTS
E-2012	24281-74A	ROD ASSEMBLY, BIG TWIN 1974-E/1981 <b>(SET INCLUDES:)</b> BUSHINGS, ROD RACES, CAGES, ROLLERS, CRANK PIN & NUTS
E-2015	24281-74A	ROD ASSEMBLY <b>**HEAVY DUTY**</b> BIG TWIN 1941-1981
E-2013	24281-80	ROD ASSEMBLY, BIG TWIN L/1981-E/1983 <b>(SET INCLUDES:)</b> BUSHINGS, ROD RACES, CAGES, ROLLERS, CRANK PIN & NUTS
E-2014	24281-83	ROD ASSEMBLY, <b>**EVOLUTION**</b> , BIG TWIN E/1983-1999
E-2000	24341-52A 24352-52A	ROD RACES, (SET OF 3) SPORTSTER 1957-1999 <b>**MADE IN U.S.A.**</b>
E-2001	24345-36A 24356-36A	ROD RACES, (SET OF 3) <b>**STD**</b> BIG TWIN 1936-1999 <b>**MADE IN U.S.A.**</b>
E-2001-005	* 24345-36A 24356-36A	ROD RACES, (SET OF 3) <b>**0.005 OVERSIZE**</b> BIG TWIN 1936-1999 <b>**MADE IN U.S.A.**</b>
E-2001-010	* 24345-36A 24356-36A	ROD RACES, (SET OF 3) <b>**0.010 OVERSIZE**</b> BIG TWIN 1936-1999 <b>**MADE IN U.S.A.**</b>
E-2003	24340-29/24351-29	ROD RACES, (SET OF 3) FORTY-FIVE 1929-1973 <b>**MADE IN U.S.A.**</b>



# **\*\*EASTERN MOTORCYCLE PARTS\*\***

## **\*\*ROLLER BEARINGS AND CAGES\*\***

### **\*\*CONNECTING RODS\*\***

#### **\*\*BIG TWIN-SPORTSTER\*\***

#### **\*\*FORTY-FIVE\*\***



### **\*\*CONNECTING ROD ROLLERS SOLD IN SETS ONLY\*\***

<u>EASTERN NUMBER</u>	<u>REPLACES OEM</u>	<u>DESCRIPTION</u>
A-24346-87A	24346-87A	BEARING SET, <b>**WITH (STD) BEARINGS**</b> , CONNECTING RODS, BIG TWIN 1986-1999
A-24354-87A	24354-87A	BEARING SET, <b>**WITH (STD) BEARINGS**</b> , CONNECTING RODS, SPORTSTER 1986-99
A-24370-52A	24370-52A	ROD CAGES, <b>**WITH (STD) BEARINGS** (IMPORTED)</b> SPORTSTER 1952-1986
A-24370-94		ROD CAGES, <b>**ONLY** **BILLET ALUMINUM**</b> SPORTSTER 1952-1986
A-24370-95		ROD CAGES, <b>**WITH (STD) BEARINGS**</b> , <b>**BILLET ALUMINUM**</b> SPORT. 1952-1986
A-24385-40B	24385-40B	ROD CAGES, <b>**WITH (STD) BEARINGS** (IMPORTED)</b> BIG TWIN 1936-1986
A-24385-80A		ROD CAGES, <b>**ONLY** (IMPORTED)</b> BIG TWIN 1936-1986
V-13-219	* 24720-29	RETAINERS (ONLY) <b>**0.366 WIDE**</b> SINGLES 1926-1934

### **\*\*ROLLERS ONLY\*\***

**\*\*BIG TWIN 1941-1972\*\* (SET OF 18&36)**

<u>EASTERN NUMBER</u>	<u>SIZE</u>	<u>REPLACES OEM</u>
B-74-1-RS	STD	9101A/9171A
B-74-2-RS	.0002	9102A/9172A
B-74-3-RS	.0004	9103A/9173A
B-74-4-RS	.0006	9104A/9174A
B-74-5-RS	.0008	9105A/9175A
B-74-6-RS	.001	9106A/9176A
B-74-7-RS	.002	
B-74-8-RS	.003	

### **\*\*ROLLERS ONLY\*\***

**\*\*BIG TWIN 1973-1986\*\* (SET OF 17&34)**

<u>EASTERN NUMBER</u>	<u>SIZE</u>	<u>REPLACES OEM</u>
B-LATE-1-RS	STD	9441A/9186
B-LATE-2-RS	.0002	9442A/9180
B-LATE-3-RS	.0004	9443A/9181
B-LATE-4-RS	.0006	9444A/9182
B-LATE-5-RS	.0008	9445A/9183
B-LATE-6-RS	.001	9446A/9184
B-LATE-7-RS	.002	9450A/9185
B-LATE-8-RS	.003	

**\*\*CONTINUED ON NEXT PAGE\*\***

**\*5120 HILDA ROAD\* BLACKVILLE, S.C. 29817\* 803-284-3304\***

# **\*\*EASTERN MOTORCYCLE PARTS\*\***

## **\*\*ROLLER BEARINGS AND CAGES\*\***

### **\*\*CONNECTING RODS\*\***

#### **\*\*BIG TWIN-SPORTSTER\*\***

#### **\*\*FORTY-FIVE\*\***



**A-24346-87A**



**B-LATE-1-RS**



**B-SP-1-RS**



**A-24385-40B**

**\*\*CONNECTING ROD ROLLERS SOLD IN SETS ONLY\*\***

#### **\*\*ROLLERS ONLY\*\***

**\*\*SPORTSTER 1954-1986\*\* (SET-17&34)**

<u>EASTERN</u>		<u>REPLACES</u>
<u>NUMBER</u>	<u>SIZE</u>	<u>OEM</u>
B-SP-1-RS	STD	9441A/9150A
B-SP-2-RS	.0002	9442A/9152A
B-SP-3-RS	.0004	9443A/9154A
B-SP-4-RS	.0006	9444A/9156A
B-SP-5-RS	.0008	9445A/9158A
B-SP-6-RS	.001	9446A/9160A
B-SP-7-RS	.002	9417/9418
B-SP-8-RS	.003	
B-SP-9-RS	.0015	

#### **\*\*ROLLERS ONLY\*\***

**\*\*FORTY-FIVE 1929-1973\*\* (SET OF 12&24)**

<u>EASTERN</u>		<u>REPLACES</u>
<u>NUMBER</u>	<u>SIZE</u>	<u>OEM</u>
B-45-1-RS	STD	9241/9301
B-45-2-RS	.0002	9242/9302
B-45-3-RS	.0004	9243/9303
B-45-4-RS	.0006	9244/9304
B-45-5-RS	.0008	9245/9305
B-45-6-RS	.001	9246/9306

#### **\*\*ROLLERS ONLY\*\***

**\*\*BIG TWIN 1986-1999 \*\* (SET-16&32)**

<u>EASTERN</u>		<u>REPLACES</u>
<u>NUMBER</u>	<u>SIZE</u>	<u>OEM</u>
B-EV-1	STD	9101A/9186
B-EV-2	.0002	9102A/9180
B-EV-3	.0004	9103A/9181
B-EV-4	.0006	9104A/9182
B-EV-5	.0008	9105A/9183
B-EV-6	.001	9106A/9184
B-EV-7	.002	
B-EV-8	.003	

#### **\*\*ROLLERS ONLY\*\***

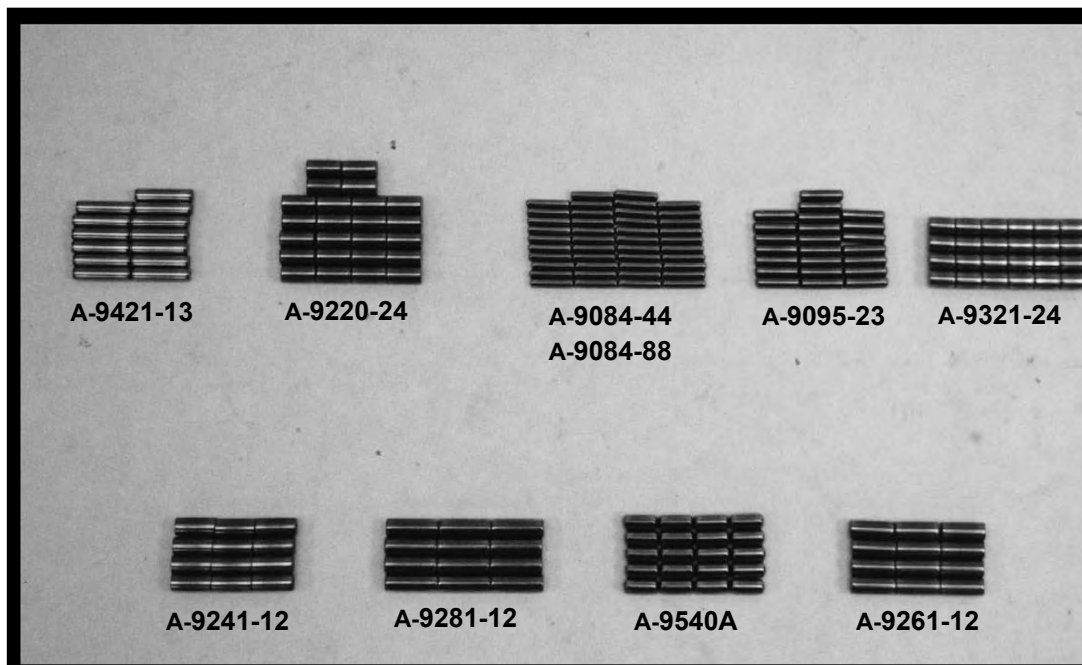
**\*\*SPORTSTER 1986-PRESENT\*\* (SET-16&32)**

<u>EASTERN</u>		<u>REPLACES</u>
<u>NUMBER</u>	<u>SIZE</u>	<u>OEM</u>
B-EV-11	STD	9101A/9150A
B-EV-12	.0002	9102A/9152A
B-EV-13	.0004	9103A/9154A
B-EV-14	.0006	9104A/9156A
B-EV-15	.0008	9105A/9158A
B-EV-16	.001	9106A/9160A
B-EV-17	.002	
B-EV-18	.003	

# **\*\*EASTERN MOTORCYCLE PARTS\*\***

## **\*\*ROLLER BEARINGS\*\***

### **\*\*BIG TWIN/SPORTSTER/FORTY-FIVE\*\***



<u>EASTERN NUMBER</u>	<u>REPLACES OEM</u>	<u>DESCRIPTION</u>
A-9075-24	9075 pk-24	ROLLER BEARINGS, COUNTERSHAFT (STD) FORTY-FIVE 1935-1973
A-9076-24	9076 pk-24	ROLLER BEARINGS, COUNTERSHAFT (.0004) FORTY-FIVE 1935-1973
A-9077-24	9077 pk-24	ROLLER BEARINGS, COUNTERSHAFT (.0008) FORTY-FIVE 1935-1973
A-9080-108	set-108	ROLLERS, MAINSHAFT, COUNTERSHAFT & MAIN DRIVE GEAR, (STD) F-F 1935-1973 <b>SET INCLUDES: (24) 9075-24, (44) 9084-44, (40) 9090-40</b>
A-9081-108	set-108	ROLLERS, MAINSHAFT, COUNTERSHAFT & MAIN DRIVE GEAR, (.0004) F-F 1935-1973 <b>SET INCLUDES: (24) 9075-24, (44) 9084-44, (40) 9090-40</b>
A-9082-108	set-108	ROLLERS, MAINSHAFT, COUNTERSHAFT & MAIN DRIVE GEAR, (.0008) F-F 1935-1973 <b>SET INCLUDES: (24) 9075-24, (44) 9084-44, (40) 9090-40</b>
A-9084-44	9084 pk-44	ROLLER BEARINGS, MAIN DRIVE GEAR (STD) FORTY-FIVE 1937-1973
A-9085-44	9085 pk-44	ROLLER BEARINGS, MAIN DRIVE GEAR (.0004) FORTY-FIVE 1937-1973
A-9086-44	9086 pk-44	ROLLER BEARINGS, MAIN DRIVE GEAR (.0008) FORTY-FIVE 1937-1973
A-9087-44	pk-44	ROLLER BEARINGS, MAIN DRIVE GEAR (.001) FORTY-FIVE 1937-1973
A-9084-88	9084 pk-88	ROLLER BEARINGS, MAINSHAFT & COUNTERSHAFT (STD) BIG TWIN 1937-1977
A-9085-88	9085 pk-88	ROLLER BEARINGS, MAINSHAFT & COUNTERSHAFT (.0004) BIG TWIN 1937-1977
A-9086-88	9086 pk-88	ROLLER BEARINGS, MAINSHAFT & COUNTERSHAFT (.0008) BIG TWIN 1937-1977
A-9087-88	9087 pk-88	ROLLER BEARINGS, MAINSHAFT & COUNTERSHAFT (.001) BIG TWIN 1937-1977
A-9090-40	9090 pk-40	ROLLER BEARINGS, MAINSHAFT & COUNTERSHAFT (STD) FORTY-FIVE 1935-1973
A-9091-40	9091 pk-40	ROLLER BEARINGS, MAINSHAFT & COUNTERSHAFT (.0004) FORTY-FIVE 1935-1973
A-9092-40	9092 pk-40	ROLLER BEARINGS, MAINSHAFT & COUNTERSHAFT (.0008) FORTY-FIVE 1935-1973
A-9095-23	9095 pk-23	ROLLER BEARINGS, MAINSHAFT BUSHING, (STD) SPORTSTER 1954-1984
A-9096-23	9096 pk-23	ROLLER BEARINGS, MAINSHAFT BUSHING, (.0004) SPORTSTER 1954-1984
A-9097-23	9097 pk-23	ROLLER BEARINGS, MAINSHAFT BUSHING, (.0008) SPORTSTER 1954-1984
A-9220-24	9220 pk-24	BEARINGS, CASE BUSHING **LEFT SIDE** (STD) BIG TWIN 1930-1957, S/V 1937-1948
A-9220-26	9220 pk-26	BEARINGS, CASE BUSHING & WHEEL HUBS (STD) BIG TWIN 1987-1993, B/T 1936-1966
A-9220-28	9220 pk-28	BEARINGS, CASE BUSHING **RIGHT SIDE** (STD) BIG TWIN 1958-1986

**\*\*CONTINUED ON NEXT PAGE\*\***

**\*5120 HILDA ROAD\* BLACKVILLE, S.C. 29817\* 803-284-3304\***

**\*Pg 118\***

# **\*\*EASTERN MOTORCYCLE PARTS\*\***

## **\*\*ROLLER BEARINGS\*\***

### **\*\*BIG TWIN/SPORTSTER/FORTY-FIVE\*\***

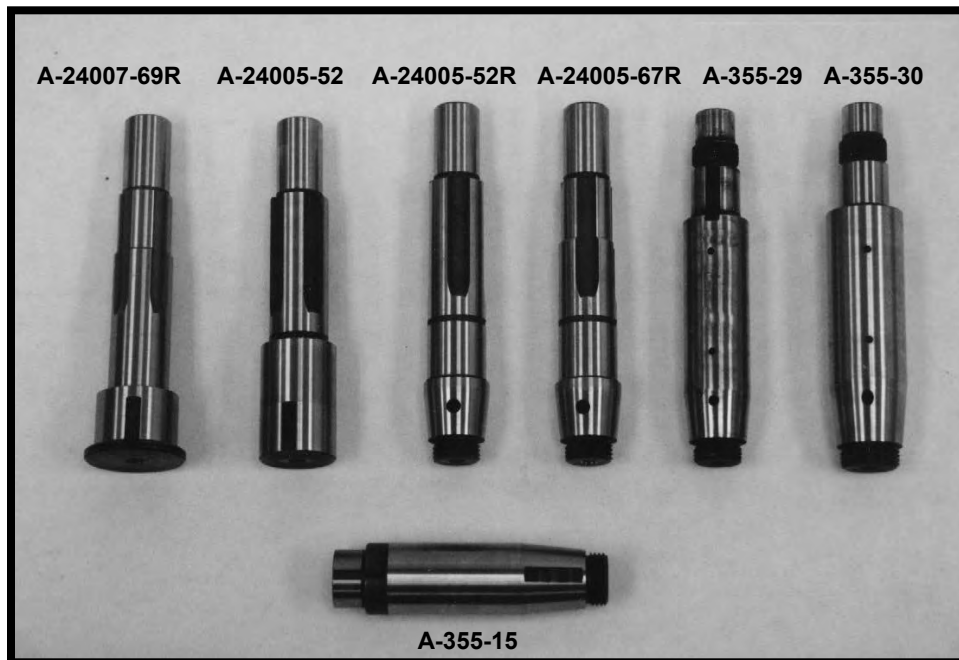
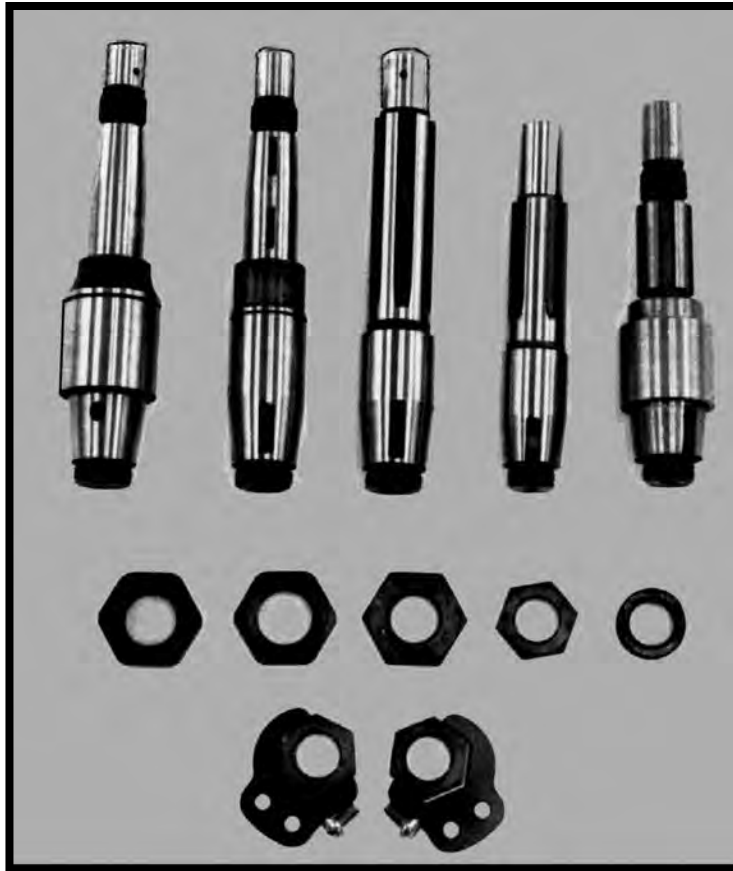
<b>EASTERN NUMBER</b>	<b>REPLACES OEM</b>	<b>DESCRIPTION</b>
A-9221-24	9221 pk-24	BEARINGS, CASE BUSHING **LEFT SIDE** (.0002) BIG TWIN 1930-1957, S/V 1937-1948
A-9221-26	9221 pk-26	BEARINGS, CASE BUSHING & WHEEL HUBS (.0002) BIG TWIN 1987-1993, B/T 1936-1966
A-9221-28	9221 pk-28	BEARINGS, CASE BUSHING **RIGHT SIDE** (.0002) BIG TWIN 1958-1986
A-9222-24	9222 pk-24	BEARINGS, CASE BUSHING **LEFT SIDE** (.0004) BIG TWIN 1930-1957, S/V 1937-1948
A-9222-26	9222 pk-26	BEARINGS, CASE BUSHING & WHEEL HUBS (.0004) BIG TWIN 1987-1993, B/T 1936-1966
A-9222-28	9222 pk-28	BEARINGS, CASE BUSHING **RIGHT SIDE** (.0004) BIG TWIN 1958-1986
A-9223-24	9223 pk-24	BEARINGS, CASE BUSHING **LEFT SIDE** (.0006) BIG TWIN 1930-1957, S/V 1937-1948
A-9223-26	9223 pk-26	BEARINGS, CASE BUSHING & WHEEL HUBS (.0006) BIG TWIN 1987-1993, B/T 1936-'66
A-9223-28	9223 pk-28	BEARINGS, CASE BUSHING **RIGHT SIDE** (.0006) BIG TWIN 1958-1986
A-9224-24	9224 pk-24	BEARINGS, CASE BUSHING **LEFT SIDE** (.0008) BIG TWIN 1930-1957, S/V 1937-1948
A-9224-26	9224 pk-26	BEARINGS, CASE BUSHING & WHEEL HUBS (.0008) BIG TWIN 1987-1993, B/T 1936-1966
A-9224-28	9224 pk-28	BEARINGS, CASE BUSHING **RIGHT SIDE** (.0008) BIG TWIN 1958-1986
A-9225-24	9225 pk-24	BEARINGS, CASE BUSHING **LEFT SIDE** (.001) BIG TWIN 1930-1957, S/V 1937-1948
A-9225-26	9225 pk-26	BEARINGS, CASE BUSHING & WHEEL HUBS (.001) BIG TWIN 1987-1993, B/T 1936-1966
A-9225-28	9225 pk-28	BEARINGS, CASE BUSHING **RIGHT SIDE** (.001) BIG TWIN 1958-1986
A-9226-24	pk-24	BEARINGS, CASE BUSHING **LEFT SIDE** (.002) BIG TWIN 1930-1957, S/V 1937-1948
A-9226-26	pk-26	BEARINGS, CASE BUSHING & WHEEL HUBS (.002) BIG TWIN 1987-1993, B/T 1936-1966
A-9226-28	pk-28	BEARINGS, CASE BUSHING **RIGHT SIDE** (.002) BIG TWIN 1958-1986
A-9241-12	9241 pk-12	BEARINGS, CASE BUSHING **RIGHT SIDE** (STD) FORTY-FIVE 1937-1973
A-9242-12	9242 pk-12	BEARINGS, CASE BUSHING **RIGHT SIDE** (.0002) FORTY-FIVE 1937-1973
A-9243-12	9243 pk-12	BEARINGS, CASE BUSHING **RIGHT SIDE** (.0004) FORTY-FIVE 1937-1973
A-9244-12	9244 pk-12	BEARINGS, CASE BUSHING **RIGHT SIDE** (.0006) FORTY-FIVE 1937-1973
A-9245-12	9245 pk-12	BEARINGS, CASE BUSHING **RIGHT SIDE** (.0008) FORTY-FIVE 1937-1973
A-9246-12	9246 pk-12	BEARINGS, CASE BUSHING **RIGHT SIDE** (.001) FORTY-FIVE 1937-1973
A-9261-12	9261 pk-12	BEARINGS, CASE BUSHING **RIGHT SIDE** (STD) BIG TWIN 1937-1954, S/V 1937-1948
A-9262-12	9262 pk-12	BEARINGS, CASE BUSHING **RIGHT SIDE** (.0002) BIG TWIN 1937-1954, S/V 1937-1948
A-9263-12	9263 pk-12	BEARINGS, CASE BUSHING **RIGHT SIDE** (.0004) BIG TWIN 1937-1954, S/V 1937-1948
A-9264-12	9264 pk-12	BEARINGS, CASE BUSHING **RIGHT SIDE** (.0006) BIG TWIN 1937-1954, S/V 1937-1948
A-9265-12	9265 pk-12	BEARINGS, CASE BUSHING **RIGHT SIDE** (.0008) BIG TWIN 1937-1954, S/V 1937-1948
A-9266-12	9266 pk-12	BEARINGS, CASE BUSHING **RIGHT SIDE** (.001) BIG TWIN 1937-1954, S/V 1937-1948
A-9281-12	9281 pk-12	BEARINGS, CASE BUSHING **LEFT SIDE** (STD) BIG TWIN 1921-1936 **J-MODEL**
A-9284-12	9284 pk-12	BEARINGS, CASE BUSHING **LEFT SIDE** (.0006) BIG TWIN 1921-1936 **J-MODEL**
A-9286-12	9286 pk-12	BEARINGS, CASE BUSHING **LEFT SIDE** (.001) BIG TWIN 1921-1936 **J-MODEL**
A-9287-12	9287 pk-12	BEARINGS, CASE BUSHING **LEFT SIDE** (.002) BIG TWIN 1921-1936 **J-MODEL**
A-9321-24	9321 pk-24	BEARINGS, CASE BUSHING **LEFT SIDE** (STD) FORTY-FIVE 1929-1973
A-9322-24	9322 pk-24	BEARINGS, CASE BUSHING **LEFT SIDE** (.0002) FORTY-FIVE 1929-1973
A-9323-24	9323 pk-24	BEARINGS, CASE BUSHING **LEFT SIDE** (.0004) FORTY-FIVE 1929-1973
A-9324-24	9324 pk-24	BEARINGS, CASE BUSHING **LEFT SIDE** (.0006) FORTY-FIVE 1929-1973
A-9325-24	9325 pk-24	BEARINGS, CASE BUSHING **LEFT SIDE** (.0008) FORTY-FIVE 1929-1973
A-9326-24	9326 pk-24	BEARINGS, CASE BUSHING **LEFT SIDE** (.001) FORTY-FIVE 1929-1973
A-9421-13	9421 pk-13	BEARINGS, CASE BUSHING **RIGHT SIDE** (STD) BIG TWIN 1955-1957, SP. 1957-1976
A-9422-13	9422 pk-13	BEARINGS, CASE BUSHING **RIGHT SIDE** (.0002) BIG TWIN 1955-1957, SP. 1957-1976
A-9423-13	9423 pk-13	BEARINGS, CASE BUSHING **RIGHT SIDE** (.0004) BIG TWIN 1955-1957, SP. 1957-1976
A-9424-13	9424 pk-13	BEARINGS, CASE BUSHING **RIGHT SIDE** (.0006) BIG TWIN 1955-1957, SP. 1957-1976
A-9425-13	9425 pk-13	BEARINGS, CASE BUSHING **RIGHT SIDE** (.0008) BIG TWIN 1955-1957, SP. 1957-1976
A-9426-13	9426 pk-13	BEARINGS, CASE BUSHING **RIGHT SIDE** (.001) BIG TWIN 1955-1957, SP. 1957-1976
A-9540A	9540A pk-20	ROLLER BEARINGS, CLUTCH HUB (STD) BIG TWIN 1937-1984
A-9541A	9541A pk-20	ROLLER BEARINGS, CLUTCH HUB (.0004) BIG TWIN 1937-1984
A-9542A	9542A pk-20	ROLLER BEARINGS, CLUTCH HUB (.0008) BIG TWIN 1937-1984

**\*\*EASTERN MOTORCYCLE PARTS\*\***

**\*\*PINION SHAFTS AND NUTS\*\***

**\*\*BIG TWIN-SPORTSTER\*\***

**\*\*FORTY-FIVE\*\***



**\*\*CONTINUED ON NEXT PAGE\*\***

**\*5120 HILDA ROAD\* BLACKVILLE, S.C. 29817\* 803-284-3304\***

**\*Pg 120\***

# **\*\*EASTERN MOTORCYCLE PARTS\*\***

## **\*\*PINION SHAFTS AND NUTS\*\***

### **\*\*BIG TWIN-SPORTSTER\*\***

### **\*\*FORTY-FIVE\*\***

<b>EASTERN NUMBER</b>	<b>REPLACES OEM</b>		<b>DESCRIPTION</b>
A-355-10	355-10	each	PINION SHAFT, **BD MODELS** BIG TWIN 1910-1912 <b>**EASTERNS**</b>
A-355-13	355-13	each	PINION SHAFT, **9-E MODELS** TWINS 1913-1914 <b>**EASTERNS**</b>
A-355-15	355-15	each	PINION SHAFT, **JD MODELS** BIG TWIN 1915-1929 <b>**EASTERNS**</b>
A-355-16	355-16	each	NUT, PINION SHAFT, **VL MODELS** <b>**L/HAND THREAD**</b> BIG TWIN 1930-1935
A-355-28	355-28	each	PINION SHAFT, **JDH MODELS** BIG TWIN 1924-1929 <b>**EASTERNS**</b>
A-355-29	355-29	each	PINION SHAFT, **RL MODELS** FORTY-FIVE 1929-1936 <b>**EASTERNS**</b>
A-355-30	355-30	each	PINION SHAFT, **VL MODELS** <b>**L/HAND THREAD**</b> BIG TWIN 1930-1936 <b>**EASTERNS**</b>
A-364-30	364-30	pk-5	PINION SHAFT NUTS, (VL MODELS) BIG TWIN 1930-1936 <b>**EASTERNS**</b>
A-2660	2660	pk-25	SCREWS, PINION SHAFTS / FLYWHEELS **10-24 X 3/8** , B/T 1936-1978 , SP. 1952-1978
A-7913	7913	pk-5	NUT, PINION GEAR SHAFT END, SPORTSTER 1986-1990
A-7916A	7916A	pk-5	NUT, PINION GEAR SHAFT END, BIG TWIN 1993-1999, SPORTSTER 1991-PRES.
A-7974	7974	pk-5	NUT, PINION SHAFT, **LOWER END** FORTY-FIVE 1929-1973
A-8011	8011	pk-5	NUT, PINION GEAR SHAFT, SPORTSTER 1954-1981
A-23902-81	23902-81	pair	NUT, PINION & SPROCKET SHAFT **3/4" X 20 THREAD** , SPORTSTER L/1981-1985
A-23928-87	23928-87	each	PINION SHAFT BEARING RACE, BIG TWIN 1987-1999
A-24005-37	24005-37	each	PINION SHAFT, FLATHEAD, FORTY-FIVE 1937-1973, <b>**EASTERNS**</b>
A-24005-52	24005-52	each	PINION SHAFT, **K-MODEL** SPORTSTER 1952-1953, <b>**EASTERNS**</b>
A-24005-52R	24005-52R	each	PINION SHAFT, **WR & KR MODELS** SPORTSTER (ALL MODELS) <b>**EASTERNS**</b>
A-24005-54	24005-54	each	PINION SHAFT, **K-MODEL** SPORTSTER 1954-1956, <b>**EASTERNS**</b>
A-24005-57	24005-57	each	PINION SHAFT, SPORTSTER 1957-1976, <b>**EASTERNS**</b>
A-24005-67R	24005-67R	each	PINION SHAFT, **KR & XLR MODELS** SPORTSTER (ALL YEARS) <b>**EASTERNS**</b>
A-24005-80	24005-80	each	PINION SHAFT, SPORTSTER L/1981-1985, <b>**EASTERNS**</b>
A-24006-37	24006-37	each	PINION SHAFT , 74 & 80" FLATHEAD, BIG TWIN 1937-1948, <b>**EASTERNS**</b>
A-24006-39	24006-39	each	PINION SHAFT, BIG TWIN 1939-1954, <b>**EASTERNS**</b>
	24007-39		
A-24006-54A	24006-54A	each	PINION SHAFT, BIG TWIN 1955-1957, <b>**EASTERNS**</b>
A-24006-58	24006-58	each	PINION SHAFT, BIG TWIN 1958-1972, <b>**EASTERNS**</b>
A-24006-73	24006-73	each	PINION SHAFT, BIG TWIN 1973-E/1981, <b>**EASTERNS**</b>
A-24006-80	24006-80	each	PINION SHAFT, BIG TWIN L/1981-E/1983, <b>**EASTERNS**</b>
A-24006-83	24006-83	each	PINION SHAFT, BIG TWIN L/1983-1986, <b>**EASTERNS**</b>
A-24006-87	24006-87	each	PINION SHAFT, BIG TWIN 1987-1988, <b>**EASTERNS**</b>
A-24006-90	24006-90	each	PINION SHAFT, BIG TWIN 1993-1999, <b>**EASTERNS**</b>
A-24007-69R	24007-69R	each	PINION SHAFT, SPORTSTER XR-750 <b>**EASTERNS**</b>
A-24008-75	24008-75	each	PINION SHAFT, SPORTSTER 1977-E/1981, <b>**EASTERNS**</b>
A-24009-77		each	BEARING RACE FOR PINION SHAFT, (PART #24008-75) SPORTSTER 1977-1985
A-24015-36	24015-36	pk-10	LOCK PLATES, PINION & SPROCKET SHAFTS, BIG TWIN 1937-1971
A-24016-29	24016-29	pk-5	LOCK PLATES, PINION SHAFT, FORTY-FIVE 1929-1973
A-24016-80	24016-80	pk-5	NUT, PINION GEAR SHAFT **3/4" X 20 THREAD** , BIG TWIN 1981-1988
A-24016-KIT			LOCK KIT, PINION & SPROCKET SHAFTS, FORTY-FIVE 1929-1973 <b>**KIT INCLUDES:** (2) 2660, (2) 7974, (2) 24016-29</b>
A-24020-51	24020-51	pk-10	SCREWS, FOR PINION SHAFT, **LEFT HAND THREAD** BIG TWIN 1939-1954
A-24022-90	24022-90	each	NUT, PINION SHAFT (LEFT-HAND THREAD), BIG TWIN 1991-1992 <b>**MADE IN USA**</b>
A-24023-36	24023-36	pk-5	NUT, SPROCKET & PINION SHAFTS (ENGINE), BIG TWIN 1936-1970, <b>**MADE IN U.S.A.**</b>
A-24023-54	24023-54	each	NUT, PINION SHAFT (LEFT-HAND THREAD), BIG TWIN 1955-1990, <b>**MADE IN U.S.A.**</b>
A-24658-86	24658-86	each	BEARING RACE, PINION SHAFT, SPORTSTER 1986-ONLY
A-24658-87	24658-87	each	BEARING RACE, PINION SHAFT, SPORTSTER 1987-PRESENT

# **\*\*EASTERN MOTORCYCLE PARTS\*\***

## **\*\*SPROCKET SHAFTS\*\***

### **\*\*NUTS AND SPACERS\*\***

### **\*\*BIG TWIN-SPORTSTER\*\***

### **\*\*FORTY-FIVE\*\***



**\*\*CONTINUED ON NEXT PAGE\*\***

# **\*\*EASTERN MOTORCYCLE PARTS\*\***

## **\*\*SPROCKET SHAFTS\*\***

### **\*\*NUTS AND SPACERS\*\***

#### **\*\*BIG TWIN-SPORTSTER\*\***

#### **\*\*FORTY-FIVE\*\***

<b>EASTERN NUMBER</b>	<b>REPLACES OEM</b>		<b>DESCRIPTION</b>
A-352-13	352-13	each	SPROCKET SHAFT OR PULLY SHAFT SINGLES 1913-1917 <b>**EASTERNS**</b>
A-352-15	352-15	each	SPROCKET SHAFT, <b>**LEFT SIDE**</b> (.983 O.D.) BIG TWIN 1915-1916 <b>**EASTERNS**</b>
A-352-17	352-17	each	SPROCKET SHAFT, <b>**LEFT SIDE**</b> (1" O.D.) BIG TWIN 1917-1924 <b>**EASTERNS**</b>
A-352-25	352-25	each	SPROCKET SHAFT, <b>**LEFT SIDE**</b> BIG TWIN 1925-1929 <b>**EASTERNS**</b>
A-364-30	364-30	pk-5	SPROCKET SHAFT NUTS, (VL MODELS) BIG TWIN 1930-1936 <b>**EASTERNS**</b>
A-2660	2660	pk-25	SCREWS, PINION/SPROCKET SHAFTS <b>**10-24 X 3/8**</b> , B/T 1936-1978 , SP. 1952-1978
A-7974	7974	pk-5	NUT, PINION AND SPROCKET SHAFTS, FORTY-FIVE 1929-1973 <b>**MADE IN U.S.A.**</b>
A-7991	7991	each	NUT, MOTOR SPROCKET, FORTY-FIVE 1929-1973 <b>**MADE IN U.S.A.**</b>
A-8025	8025	each	NUT, SPROCKET SHAFT, SPORTSTER 1957-1969 <b>**MADE IN U.S.A.**</b>
40-0149	11887	each	SPACER, SPROCKET SHAFT, BIG TWIN 2007-PRESENT <b>**MADE IN U.S.A.**</b>
A-2339-17	2339-17	each	SPACER, SPROCKET SHAFT, (VL MODELS) BIG TWIN 1917-1924 <b>**MADE IN U.S.A.**</b>
A-2339-25	2339-25	each	SPACER, SPROCKET SHAFT, (VL MODELS) BIG TWIN 1925-1936 <b>**MADE IN U.S.A.**</b>
A-23736-69R	23736-69R	each	SPROCKET SHAFT (XR-750) SPORTSTER 1972-1995 <b>**EASTERNS**</b>
A-23741-55	23741-55	pk-10	SHIMS, SPROCKET SHAFT BEARING, (.003) BIG TWIN 1955-1984 <b>**MADE IN U.S.A.**</b>
A-23741-52		pk-10	SHIMS, SPROCKET SHAFT BEARING, (.003) SPORTSTER 1952-1976 <b>**MADE IN U.S.A.**</b>
A-23741-77		pk-10	SHIMS, SPROCKET SHAFT BEARING, (.003) SPORTSTER 1977-PRES. <b>**MADE IN U.S.A.**</b>
A-23902-81	23902-81	pk-5	NUT, SPROCKET SHAFT, (3/4" X 20 THREAD) SPORTSTER 1981-1985 <b>**MADE IN U.S.A.**</b>
A-23909-80	23909-80	each	SPROCKET SHAFT, (COMMONIZED TAPER) BIG TWIN 1981-1986 <b>**EASTERNS**</b>
A-24000-29	24000-29	each	SPROCKET SHAFT, <b>**LEFT SIDE**</b> FORTY-FIVE 1937-1973 <b>**EASTERNS**</b>
A-24000-41R	24000-41R	each	SPROCKET SHAFT, <b>**LEFT SIDE**</b> (WR & KR) <b>**EASTERNS**</b>
A-24000-52	24000-52	each	SPROCKET SHAFT, (K-MODEL) SPORTSTER 1952-1953 <b>**EASTERNS**</b>
A-24000-54	24000-54	each	SPROCKET SHAFT, (KH-MODEL) SPORTSTER 1954-1956 <b>**EASTERNS**</b>
A-24000-57	24000-57	each	SPROCKET SHAFT, SPORTSTER 1957-1976 <b>**EASTERNS**</b>
A-24000-75	24000-75	each	SPROCKET SHAFT, SPORTSTER 1977-1981 <b>**EASTERNS**</b>
A-24000-80	24000-80	each	SPROCKET SHAFT, (COMMONIZED TAPER) SPORTSTER 1981-1985 <b>**EASTERNS**</b>
A-24001-30	24001-30	each	SPROCKET SHAFT, <b>**LEFT SIDE**</b> BIG TWIN 1930-1954 <b>**EASTERNS**</b>
A-24001-55	24001-55	each	SPROCKET SHAFT, <b>**LEFT SIDE**</b> BIG TWIN 1955-ONLY <b>**EASTERNS**</b>
A-24001-56	24001-56	each	SPROCKET SHAFT, <b>**LEFT SIDE**</b> BIG TWIN 1956-1964 <b>**EASTERNS**</b>
A-24001-65	24001-65	each	SPROCKET SHAFT, <b>**LEFT SIDE**</b> BIG TWIN 1965-1969 <b>**EASTERNS**</b>
A-24001-70	24001-70	each	SPROCKET SHAFT, <b>**LEFT SIDE**</b> BIG TWIN 1970-1971 <b>**EASTERNS**</b>
A-24001-72	24001-72	each	SPROCKET SHAFT, <b>**LEFT SIDE**</b> BIG TWIN 1972-1981 <b>**EASTERNS**</b>
A-24001-80		each	SPROCKET SHAFT, <b>**SPECIAL**</b> (FITS 72-81 FLYWHEELS) BIG TWIN 1956-1964, U.S.A.
A-24001-81		each	SPROCKET SHAFT, <b>**SPECIAL**</b> (FITS 72-81 FLYWHEELS) BIG TWIN 1965-1969, U.S.A.
A-24001-84		each	SPROCKET SHAFT, <b>**SPECIAL**</b> (FITS 81-86 FLYWHEELS) BIG TWIN 1956-1964, U.S.A.
A-24001-86		each	SPROCKET SHAFT, <b>**SPECIAL**</b> (FITS 81-86 FLYWHEELS) BIG TWIN 1965-1969, U.S.A.
A-24002-70	24002-70	each	SPACER, SPROCKET SHAFT, BIG TWIN 1970-1996 <b>**MADE IN U.S.A.**</b>
A-24003-30	24003-30	each	NUT, SPROCKET SHAFT, (11/16-18 X 1-1/8" HEX) BIG TWIN 1930-1954 <b>**MADE IN U.S.A.**</b>
A-24003-55	24003-55	each	NUT, SPROCKET SHAFT, (7/8-14 X 1-3/4" HEX) BIG TWIN 1955-1971 <b>**MADE IN U.S.A.**</b>
A-24004-RACE		each	RACE, FOR BEARING KIT (24004-03), BIG TWIN 2004-PRESENT <b>**MADE IN U.S.A.**</b>
A-24008-03	24008-03	each	SPACER, SPROCKET SHAFT, <b>**1.540 LONG**</b> BIG TWIN 2004-2006
A-24008-97	24008-97	each	SPACER, SPROCKET SHAFT OIL SEAL, BIG TWIN 1998-1999
A-24008-99	24008-99	each	SPACER, SPROCKET SHAFT OIL SEAL, <b>**FLT**</b> BIG TWIN 1999-PRESENT
A-24009-06	24009-06	each	SPACER, SPROCKET SHAFT, BIG TWIN 2006-PRESENT
A-24015-36	24015-36	pk-10	LOCK PLATES, PINION & SPROCKET SHAFTS, BIG TWIN 1937-1971
A-24016-29	24016-29	pk-5	LOCK PLATES, PINION & SPROCKET SHAFTS, FORTY-FIVE 1929-1973
A-24016-KIT			LOCK KIT, PINION & SPROCKET SHAFTS, FORTY-FIVE 1929-1973 <b>**KIT INCLUDES:**</b> (2) 2660, (2) 7974, (2) 24016-29

**\*\*CONTINUED ON NEXT PAGE\*\***



# **\*\*EASTERN MOTORCYCLE PARTS\*\***

## **\*\*SPROCKET SHAFTS\*\***

### **\*\*NUTS AND SPACERS\*\***

#### **\*\*BIG TWIN-SPORTSTER\*\***

#### **\*\*FORTY-FIVE\*\***

<u>EASTERN NUMBER</u>	<u>REPLACES OEM</u>		<u>DESCRIPTION</u>
A-24017-80	24017-80	each	NUT, SPROCKET SHAFT, (1-1/8 X 16 THREAD) BIG TWIN 1972-1986 <b>**MADE IN U.S.A.**</b>
A-24018-72	24018-72	pk-5	LOCK PLATES, SPROCKET SHAFT NUT, BIG TWIN 1972-1986
A-24023-36	24023-36	pk-5	NUT, SPROCKET SHAFT, BIG TWIN 1936-1970 <b>**MADE IN U.S.A.**</b>
A-24029-55	24029-55	pk-5	SPACER, SPROCKET SHAFT, (.336) BIG TWIN 1955-1964 <b>**MADE IN U.S.A.**</b>
A-24029-65	24029-65	pk-5	SPACER, SPROCKET SHAFT, (.621) BIG TWIN 1965-ONLY <b>**MADE IN U.S.A.**</b>
A-24030-SET		set-6	SPACERS, SPROCKET SHAFT, BIG TWIN 1966-1969 <b>**MADE IN U.S.A.**</b> <b>SET INCLUDES: (1each) .516, .546, .576, .606, .636, .666</b>
A-24032-66	24032-66	pk-5	SPACER, SPROCKET SHAFT, (.516) BIG TWIN 1966-1969 <b>**MADE IN U.S.A.**</b>
A-24033-66	24033-66	pk-5	SPACER, SPROCKET SHAFT, (.546) BIG TWIN 1966-1969 <b>**MADE IN U.S.A.**</b>
A-24034-66	24034-66	pk-5	SPACER, SPROCKET SHAFT, (.576) BIG TWIN 1966-1969 <b>**MADE IN U.S.A.**</b>
A-24035-66	24035-66	pk-5	SPACER, SPROCKET SHAFT, (.606) BIG TWIN 1966-1969 <b>**MADE IN U.S.A.**</b>
A-24036-66	24036-66	pk-5	SPACER, SPROCKET SHAFT, (.636) BIG TWIN 1966-1969 <b>**MADE IN U.S.A.**</b>
A-24037-66	24037-66	pk-5	SPACER, SPROCKET SHAFT, (.666) BIG TWIN 1966-1969 <b>**MADE IN U.S.A.**</b>
A-24031-55	24031-55	each	BEARING NUT, SPROCKET SHAFT, <b>**OEM STYLE**</b> BIG TWIN 1955-1968 <b>**DISCONTINUED**</b>
A-24031-93			
A-24031-94		pk-5	OIL SEAL, BEARING NUT, SPROCKET SHAFT, BIG TWIN 1955-1968
A-24032-SET		set-6	SPACERS, SPROCKET SHAFT, BIG TWIN 1970-1999 <b>**MADE IN U.S.A.**</b> <b>SET INCLUDES: (1each) .060, .090, .120, .150, .180, .210</b>
A-24032-70	24032-70	pk-5	SPACER, SPROCKET SHAFT, (.060) BIG TWIN 1970-1999 <b>**MADE IN U.S.A.**</b>
A-24033-70	24033-70	pk-5	SPACER, SPROCKET SHAFT, (.090) BIG TWIN 1970-1999 <b>**MADE IN U.S.A.**</b>
A-24034-70	24034-70	pk-5	SPACER, SPROCKET SHAFT, (.120) BIG TWIN 1970-1999 <b>**MADE IN U.S.A.**</b>
A-24035-70	24035-70	pk-5	SPACER, SPROCKET SHAFT, (.150) BIG TWIN 1970-1999 <b>**MADE IN U.S.A.**</b>
A-24036-70	24036-70	pk-5	SPACER, SPROCKET SHAFT, (.180) BIG TWIN 1970-1999 <b>**MADE IN U.S.A.**</b>
A-24037-70	24037-70	pk-5	SPACER, SPROCKET SHAFT, (.210) BIG TWIN 1970-1999 <b>**MADE IN U.S.A.**</b>
A-24038-99	24038-99	each	SPACER, SPROCKET SHAFT OIL SEAL, <b>**SOFTAIL/DYNA**</b> BIG TWIN 1999-2000
A-24038-03	24038-03	each	SPACER, SPROCKET SHAFT, <b>**DYNA**</b> BIG TWIN 2004-PRESENT
A-24039-01A	24039-01A	each	SPACER, SPROCKET SHAFT, <b>**SOFTAIL**</b> BIG TWIN 2001-2003
A-24039-03	24039-03	each	SPACER, SPROCKET SHAFT, <b>**SOFTAIL**</b> BIG TWIN 2004-PRESENT
A-24051-80	24051-84	pk-10	SPACER, SPROCKET SHAFT, COMPENSATING SPROCKET, (.012) BIG TWIN 1980-1985
A-24052-80	24052-84	pk-10	SPACER, SPROCKET SHAFT, COMPENSATING SPROCKET, (.025) BIG TWIN 1980-1985
A-24053-80	24053-84	pk-10	SPACER, SPROCKET SHAFT, COMPENSATING SPROCKET, (.035) BIG TWIN 1980-1985
A-24054-80	24054-84	pk-10	SPACER, SPROCKET SHAFT, COMPENSATING SPROCKET, (.055) BIG TWIN 1980-1985
A-24054-SET		set-4	SPACER SET, SPROCKET SHAFT, COMPENSATING SPROCKET, BIG TWIN 1980-1985 <b>SET INCLUDES: (1each) 24051-80, 24052-80, 24053-80, 24054-80</b>
A-33354-08	33354-08	each	SPACER, MAIN DRIVE GEAR, <b>**W/O-RING**</b> SPORTSTER 2008-PRES. <b>**MADE IN U.S.A.**</b>
A-35850-84	35850-84	pk-5	SPACER, SPROCKET SHAFT, (.010) BIB TWIN 1970-1998
A-35851-84	35851-84	pk-5	SPACER, SPROCKET SHAFT, (.020) BIB TWIN 1970-1998
A-35852-84	35852-84	pk-5	SPACER, SPROCKET SHAFT, (.032) BIB TWIN 1970-1998
A-35853-96	35853-96	pk-10	SPACER, SPROCKET SHAFT, (.055) BIB TWIN 1970-1998
A-40297-06	40297-06	each	EXTENSION, SPROCKET SHAFT, BIG TWIN 2006-2010
A-40333-06	40333-06	each	COMPENSATOR SPROCKET SLID & CAM, BIG TWIN 2006-2010
A-40375-70	40375-70	each	EXTENSION, SPROCKET SHAFT, BIG TWIN 1970-1990
A-40387-70	40387-70	each	ENGINE NUT, SPROCKET SHAFT, SPORTSTER 1970-1990 <b>**MADE IN U.S.A.**</b>
A-40392-70	40392-70	each	ENGINE NUT, SPROCKET SHAFT, BIG TWIN 1970-1990 <b>**MADE IN U.S.A.**</b>
A-40392-91	40392-91	each	ENGINE NUT, SPROCKET SHAFT, BIG TWIN 1991-2006 <b>**MADE IN U.S.A.**</b>

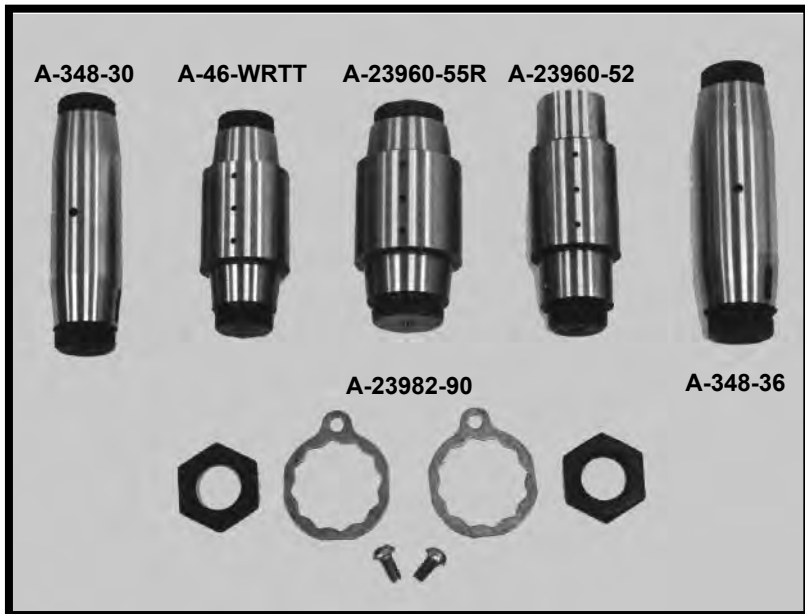
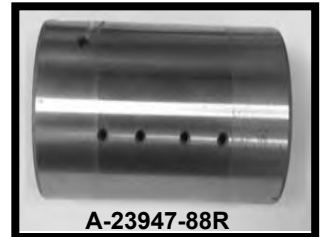
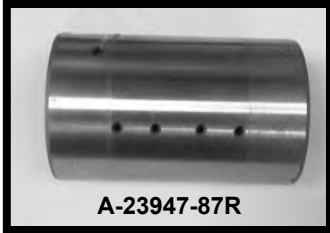
# **\*\*EASTERN MOTORCYCLE PARTS\*\***

## **\*\*CRANK PINS\*\***

### **\*\*AND NUTS\*\***

### **\*\*BIG TWIN-SPORTSTER\*\***

### **\*\*FORTY-FIVE\*\***



# **\*\*EASTERN MOTORCYCLE PARTS\*\***

## **\*\*CRANK PINS\*\***

### **\*\*AND NUTS\*\***

### **\*\*BIG TWIN-SPORTSTER\*\***

### **\*\*FORTY-FIVE\*\***

<u>EASTERN NUMBER</u>	<u>REPLACES OEM</u>		<u>DESCRIPTION</u>
A-AA-19	AA-19	each	CRANK PIN (PRESS FIT) **1-OIL HOLE** SINGLES 1905-1913 <b>**EASTERNS**</b>
A-46-WRTT	46-WRTT	each	CRANK PIN (WR-TT MODEL) **3-OIL HOLES** FORTY-FIVE <b>**EASTERNS**</b>
A-348-13	348-13	each	CRANK PIN, (15/16" DIAMETER) (.060 HEAT TREAT) SINGLES 1913-ONLY
A-348-13T	348-13T	each	CRANK PIN, (.8765 O.D.) <b>**NO-OIL HOLE**</b> (.060 HEAT TREAT) TWINS 1913-1914
A-348-00T	348-00T	each	CRANK PIN, (.873 O.D.) <b>**NO-OIL HOLE**</b> (.060 HEAT TREAT) TWINS 1913-1914
A-348-15	348-15	each	CRANK PIN, (1" DIAMETER) <b>**NO-OIL HOLE**</b> (.060 HEAT TREATED) TWINS 1915-1929
A-348-30	348-30	each	CRANK PIN, **1-OIL HOLE** (.060 HEAT TREAT) **1" DIAMETER** BIG TWIN 1930-1936
A-348-30B	348-30	each	CRANK PIN, **3-OIL HOLE** (.060 HEAT TREAT) **1" DIAMETER** BIG TWIN 1930-1936
A-348-30C	348-30	each	CRANK PIN, **2-OIL HOLE** (.120 HEAT TREAT) **1" DIAMETER** BIG TWIN 1930-1936
A-348-36	348-36	each	CRANK PIN, **1-OIL HOLE** (.060 HEAT TREAT) **1-1/8" DIA.** BIG TWIN 1936-1939
A-348-36B	348-36	each	CRANK PIN, **3-OIL HOLE** (.060 HEAT TREAT) **1-1/8" DIA.** BIG TWIN 1936-1939
A-348-36C	348-36	each	CRANK PIN, **2-OIL HOLE** (.120 HEAT TREAT) **1-1/8" DIA.** BIG TWIN 1936-1939
A-365-15	365-15	pair	CRANK PIN NUTS, <b>**FOR # 348-30**</b> BIG TWIN 1921-1936
A-366-36	366-36	pair	CRANK PIN NUTS, <b>**FOR # 348-36**</b> BIG TWIN 1936-1940
A-2660	2660	pk-25	SCREWS, LOCK PLATES, **10-24 X 3/8** BIG TWIN 1936-1978, SPORTSTER 1952-1978
A-8010	8010	pair	CRANK PIN NUTS, FORTY-FIVE 1929-1973
A-23901-81	23901-81	pair	CRANK PIN NUTS, **1" X 20 THREAD** SPORTSTER 1981-PRESENT
A-23947-87R	23947-87R	each	CRANK PIN, **4-OIL HOLES** (STD) <b>**XR-750**</b> 1972-1988 <b>**EASTERNS**</b>
A-23973-87R	23973-87R	each	CRANK PIN, **4-OIL HOLES** (.002 O/S) <b>**XR-750**</b> 1972-1988 <b>**EASTERNS**</b>
A-23975-87R	23975-87R	each	CRANK PIN, **4-OIL HOLES** (.004 O/S) <b>**XR-750**</b> 1972-1988 <b>**EASTERNS**</b>
A-23947-88R	23947-88R	each	CRANK PIN, **4-OIL HOLES** (STD) <b>**XR-750**</b> 1989-PRESENT <b>**EASTERNS**</b>
A-23977-88R	23977-88R	each	CRANK PIN, **4-OIL HOLES** (.001 O/S) <b>**XR-750**</b> 1989-PRESENT <b>**EASTERNS**</b>
A-23978-88R	23978-88R	each	CRANK PIN, **4-OIL HOLES** (.002 O/S) <b>**XR-750**</b> 1989-PRESENT <b>**EASTERNS**</b>
A-23980-88R	23980-88R	each	CRANK PIN, **4-OIL HOLES** (.004 O/S) <b>**XR-750**</b> 1989-PRESENT <b>**EASTERNS**</b>
A-23960-29	23960-29	each	CRANK PIN, **1-OIL HOLE** (.060 HEAT TREAT) FORTY-FIVE 1929-1973
A-23960-29A	23960-29A	each	CRANK PIN, **3-OIL HOLES** (.060 HEAT TREAT) FORTY-FIVE 1929-1973 <b>**EASTERNS**</b>
A-23960-39	23960-39	each	CRANK PIN, **2-OIL HOLES** (.120 HEAT TREAT) FORTY-FIVE 1929-1973 <b>**EASTERNS**</b>
A-23960-52	23960-52	each	CRANK PIN, **3-OIL HOLES** (.060 HEAT TREAT) SPORTSTER 1952-1953 <b>**EASTERNS**</b>
A-23960-54	23960-54	each	CRANK PIN, **3-OIL HOLES** (.060 HEAT TREAT) SPORTSTER 1957-1981 <b>**EASTERNS**</b>
A-23960-54A	23960-54	each	CRANK PIN, **1-OIL HOLE** (.060 HEAT TREAT) SPORTSTER 1957-1981 <b>**EASTERNS**</b>
A-23960-55R	23960-55R	each	CRANK PIN, **3-OIL HOLES** (.060 HEAT TREAT) SPORTSTER XR-750 <b>**EASTERNS**</b>
A-23960-79	23960-54	each	CRANK PIN, **2-OIL HOLES** (.120 HEAT TREAT) SPORTSTER 1957-1981 <b>**EASTERNS**</b>
A-23960-80	23960-80	each	CRANK PIN, **3-OIL HOLES** (.060 HEAT TREAT) SPORTSTER 1981-1999 <b>**EASTERNS**</b>
A-23960-80A	23960-80	each	CRANK PIN, **1-OIL HOLE** (.060 HEAT TREAT) SPORTSTER 1981-1999 <b>**EASTERNS**</b>
A-23960-89	23960-80	each	CRANK PIN, **2-OIL HOLES** (.120 HEAT TREAT) SPORTSTER 1981-1999 <b>**EASTERNS**</b>
A-23961-025	23961-41	each	CRANK PIN, **3-OIL HOLES** (.025 SHORTER BETWEEN TAPERS) BIG TWIN 1941-1981
A-23961-41	23961-41	each	CRANK PIN, **3-OIL HOLES** (.060 HEAT TREAT) BIG TWIN 1941-1981 <b>**EASTERNS**</b>
A-23961-41A	23961-41	each	CRANK PIN, **1-OIL HOLE** (.060 HEAT TREAT) BIG TWIN 1941-1981 <b>**EASTERNS**</b>
A-23961-79	23961-41	each	CRANK PIN, **2-OIL HOLES** (.120 HEAT TREAT) BIG TWIN 1941-1981 <b>**EASTERNS**</b>
A-23961-80	23961-80	each	CRANK PIN, **3-OIL HOLES** (.060 HEAT TREAT) BIG TWIN 1981-1999 <b>**EASTERNS**</b>
A-23961-80A	23961-80	each	CRANK PIN, **1-OIL HOLE** (.060 HEAT TREAT) BIG TWIN 1981-1999 <b>**EASTERNS**</b>
A-23961-89	23961-80	each	CRANK PIN, **2-OIL HOLES** (.120 HEAT TREAT) BIG TWIN 1981-1999 <b>**EASTERNS**</b>
A-23962-40	23962-40	each	CRANK PIN, **3-OIL HOLES** (.060 HEAT TREAT) BIG TWIN 1940-1952 <b>**EASTERNS**</b>
A-23962-40A	23962-40	each	CRANK PIN, **1-OIL HOLE** (.060 HEAT TREAT) BIG TWIN 1940-1952 <b>**EASTERNS**</b>
A-23962-79	23962-40	each	CRANK PIN, **2-OIL HOLES** (.120 HEAT TREAT) BIG TWIN 1940-1952 <b>**EASTERNS**</b>
A-23962-87R	23962-87R	pair	PLUG, CRANK PIN, <b>**XR-750**</b> (.751 DIAMETER) <b>**XR-750**</b> 1972-1988 <b>**EASTERNS**</b>
A-23962-88R	23962-88R	pair	PLUG, CRANK PIN, <b>**XR-750**</b> (.901 DIAMETER) <b>**XR-750**</b> 1989-PRES <b>**EASTERNS**</b>

**\*\*PAGE 126 IS CONTINUED ON NEXT PAGE\*\***

**\*5120 HILDA ROAD\* BLACKVILLE, S.C. 29817\* 803-284-3304\***

# **\*\*EASTERN MOTORCYCLE PARTS\*\***

## **\*\*CRANK PINS\*\***

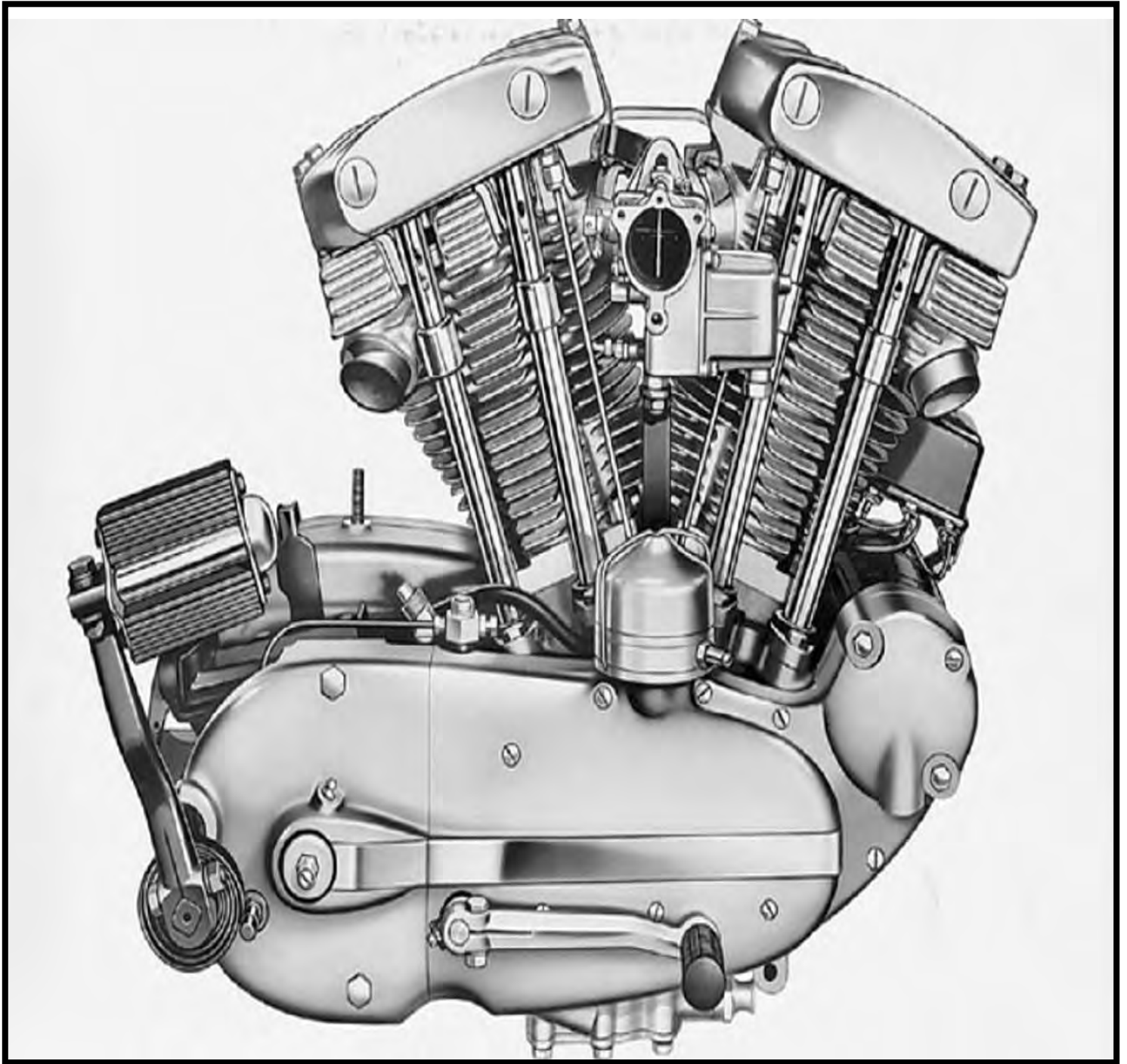
### **\*\*AND NUTS\*\***

### **\*\*BIG TWIN-SPORTSTER\*\***

### **\*\*FORTY-FIVE\*\***

<u>EASTERN NUMBER</u>	<u>REPLACES OEM</u>		<u>DESCRIPTION</u>
A-23966-36	23966-36	pair	CRANK PIN NUTS, **61 & 80** BIG TWIN 1936-1952
A-23966-54A	23966-54A	pair	CRANK PIN NUTS, **74 & 80** (1" X 18 THREAD) BIG TWIN 1941-1981
A-23966-78		kit	NUT & LOCK KIT, CRANK PIN, BIG TWIN 1941-1981 (INCL. 23966-54A, 23971-78, & 2660)
A-23967-41	23967-41	pair	CRANK PIN NUTS, (1" X 18 THREAD) BIG TWIN 1941-1953
A-23967-48	23967-48	pair	NUT, CRANK PIN **750 C/C** SPORTSTER 1952-1953
A-23967-54A	23967-54A	pair	CRANK PIN NUTS, (1" X 20 THREAD) SPORTSTER 1954-1981
A-23967-56R	23967-56R	pair	NUT, CRANK PINS **KRTT & XLRTT** SPORTSTER 1955-1969
A-23967-79		kit	NUT & LOCK KIT, CRANK PIN, SPORT. 1954-1981 (INCL. 23967-54A, 23971-78A, & 2660)
A-23969-80	23969-80	pair	CRANK PIN NUTS, (1" X 20 THREAD) BIG TWIN 1981-1983
A-23969-83	23969-83	pair	CRANK PIN NUTS, (1" X 20 THREAD) BIG TWIN 1983-1999
A-23971-78		kit	LOCK PLATES, **WITH SCREWS** BIG TWIN 1954-1981 (INCL. 2-LOCKS, 2- SCREWS)
A-23971-78A		kit	LOCK PLATES, **WITH SCREWS** SPORTSTER 1954-1981 (INCL. 2-LOCKS, 2-SCREWS)
A-23974-87	23974-87	each	CRANK PIN, (+.001) **1-OIL HOLE** (.060 HEAT TREAT) BIG TWIN L/1981-1999
A-23975-87	23975-87	each	CRANK PIN, (+.002) **1-OIL HOLE** (.060 HEAT TREAT) BIG TWIN L/1981-1999
A-23976-87		each	CRANK PIN, (+.003) **1-OIL HOLE** (.060 HEAT TREAT) BIG TWIN L/1981-1999
A-23981-98	23981-98	pair	CRANK PIN NUTS, (1" X 20 THREAD) BIG TWIN 1999-PRES.
A-23982-12	23982-12	pk-10	LOCK PLATES, CRANK PIN NUTS, FORTY-FIVE 1929-1973
A-23982-89		kit	LOCK PLATES, **WITH SCREWS** FORTY-FIVE 1929-1973 (INCL. 2-LOCKS, 2-SCREWS)
A-23982-90		kit	NUT, PLATE & SCREWS, CRANK PIN, FORTY-FIVE 1929-1973 (INC: 8010, 23982-12, 2660)

**\*\*EASTERN MOTORCYCLE PARTS\*\***

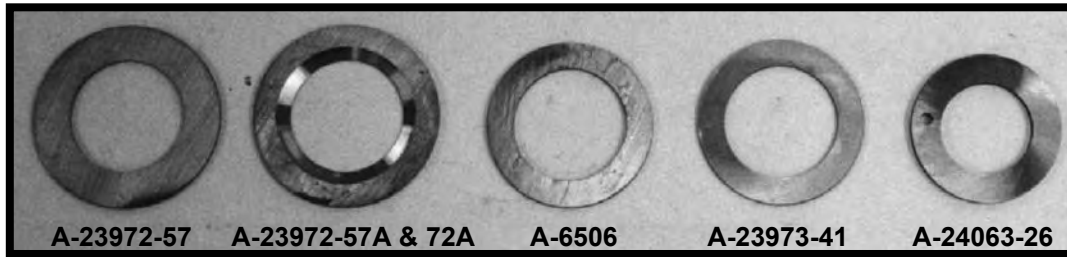


**\*5120 HILDA ROAD\* BLACKVILLE, S.C. 29817\* 803-284-3304\***

# \*\*EASTERN MOTORCYCLE PARTS\*\*

## \*\*FLYWHEEL WASHERS\*\*

### \*\*BIG TWIN/SPORTSTER/FORTY-FIVE\*\*



<u>EASTERN NUMBER</u>	<u>REPLACES OEM</u>	<u>DESCRIPTION</u>
A-6506	6506 pair	FLYWHEEL THRUST WASHERS, **BRONZE** (STD) B/T 1970-1999, SP. 1971-E/1986
A-6506B	6506 pair	FLYWHEEL THRUST WASHERS, **BRONZE** (.005) B/T 1970-1999, SP. 1971-E/1986
A-6508	6508 pair	FLYWHEEL THRUST WASHERS, **BRONZE** SPORTSTER L/1986-1999
42-0120	16248-89R set-10	FLYWHEEL THRUST WASHERS, (.035-.055 THICK) **XR-750** 1989-PRESENT <b>SET INCLUDES: (2 of each) .035, .040, .045, .050, .055</b>
A-23972-21	23972-21 pair	FLYWHEEL THRUST WASHERS, **STEEL** (STD/.060 THICK) FORTY-FIVE 1929-1973
A-23972-21B	23972-21 pair	FLYWHEEL THRUST WASHERS, **STEEL** (.065 THICK) FORTY-FIVE 1929-1973
A-23972-36	23972-36 pair	FLYWHEEL THRUST WASHERS, **STEEL** (.055 THICK) B/T 1936-1952, S/V 1937-1948
A-23972-36B	23972-36 pair	FLYWHEEL THRUST WASHERS, **STEEL** (.060 THICK) B/T 1936-1952, S/V 1937-1948
A-23972-57	23972-57 pair	FLYWHEEL THRUST WASHERS, **STEEL** (.072 THICK) OLD STYLE, SPORT. 1954-1971
A-23972-57A	23972-57A pair	FLYWHEEL THRUST WASHERS, **BRONZE** (.072 THICK) NEW STYLE, SP. 1954-1971
A-23972-72	23972-72 pair	FLYWHEEL THRUST WASHERS, **BRONZE** (.062 THICK) SPORTSTER 1972-1978
A-23972-72A	23972-72 pair	FLYWHEEL THRUST WASHERS, **BRONZE** <b>UNDER-CUT</b> (.060 THICK) SPORT 1972-'78
A-23972-72B	23972-72 pair	FLYWHEEL THRUST WASHERS, **BRONZE** (.067 THICK) SPORTSTER 1972-1978
A-23973-40	23973-41 pair	FLYWHEEL THRUST WASHERS, **STEEL** (.060 THICK) BIG TWIN 1941-1969
A-23973-41	23973-41 pair	FLYWHEEL THRUST WASHERS, **STEEL** (.055 THICK) BIG TWIN 1941-1969
A-23973-41A	23973-41 pair	FLYWHEEL THRUST WASHERS, **BRONZE** (.055 THICK) BIG TWIN 1941-1969
A-23973-41B	23973-41 pair	FLYWHEEL THRUST WASHERS, **BRONZE** (.060 THICK) BIG TWIN 1941-1969
A-24060-SET	set-10	FLYWHEEL THRUST WASHER SET, **STEEL** (.066-.102 THICK) FORTY-FIVE 1929-1973
A-24063-26	24063-26 pk-5	FLYWHEEL THRUST WASHERS, **STEEL** (.066 THICK) FORTY-FIVE 1929-1973
A-24066-26	24066-26 pk-5	FLYWHEEL THRUST WASHERS, **STEEL** (.070 THICK) FORTY-FIVE 1929-1973
A-24068-26	24068-26 pk-5	FLYWHEEL THRUST WASHERS, **STEEL** (.074 THICK) FORTY-FIVE 1929-1973
A-24070-26	24070-26 pk-5	FLYWHEEL THRUST WASHERS, **STEEL** (.078 THICK) FORTY-FIVE 1929-1973
A-24073-26	24073-26 pk-5	FLYWHEEL THRUST WASHERS, **STEEL** (.082 THICK) FORTY-FIVE 1929-1973
A-24075-26	24075-26 pk-5	FLYWHEEL THRUST WASHERS, **STEEL** (.086 THICK) FORTY-FIVE 1929-1973
A-24077-26	24077-26 pk-5	FLYWHEEL THRUST WASHERS, **STEEL** (.090 THICK) FORTY-FIVE 1929-1973
A-24079-26	24079-26 pk-5	FLYWHEEL THRUST WASHERS, **STEEL** (.094 THICK) FORTY-FIVE 1929-1973
A-24082-26	24082-26 pk-5	FLYWHEEL THRUST WASHERS, **STEEL** (.098 THICK) FORTY-FIVE 1929-1973
A-24084-26	24084-26 pk-5	FLYWHEEL THRUST WASHERS, **STEEL** (.102 THICK) FORTY-FIVE 1929-1973
A-24100-SET	set-11	FLYWHEEL THRUST WASHER SET, **STEEL** (.060-.102 THICK) BIG TWIN 1929-1954
A-24101-17	24101-17 pk-5	FLYWHEEL THRUST WASHERS, **STEEL** (.060 THICK) BIG TWIN 1929-1954
A-24102-17	24102-17 pk-5	FLYWHEEL THRUST WASHERS, **STEEL** (.066 THICK) BIG TWIN 1929-1954
A-24104-17	24104-17 pk-5	FLYWHEEL THRUST WASHERS, **STEEL** (.070 THICK) BIG TWIN 1929-1954
A-24106-17	24106-17 pk-5	FLYWHEEL THRUST WASHERS, **STEEL** (.074 THICK) BIG TWIN 1929-1954
A-24108-17	24108-17 pk-5	FLYWHEEL THRUST WASHERS, **STEEL** (.078 THICK) BIG TWIN 1929-1954
A-24111-17	24111-17 pk-5	FLYWHEEL THRUST WASHERS, **STEEL** (.082 THICK) BIG TWIN 1929-1954
A-24113-17	24113-17 pk-5	FLYWHEEL THRUST WASHERS, **STEEL** (.086 THICK) BIG TWIN 1929-1954
A-24115-17	24115-17 pk-5	FLYWHEEL THRUST WASHERS, **STEEL** (.090 THICK) BIG TWIN 1929-1954
A-24117-17	24117-17 pk-5	FLYWHEEL THRUST WASHERS, **STEEL** (.094 THICK) BIG TWIN 1929-1954
A-24120-17	24120-17 pk-5	FLYWHEEL THRUST WASHERS, **STEEL** (.098 THICK) BIG TWIN 1929-1954
A-24122-17	24122-17 pk-5	FLYWHEEL THRUST WASHERS, **STEEL** (.102 THICK) BIG TWIN 1929-1954
A-24124-17	24124-17 pk-5	FLYWHEEL THRUST WASHERS, **STEEL** (.110 THICK) BIG TWIN 1929-1954
A-24126-17	SPECIAL pk-5	FLYWHEEL THRUST WASHERS, **STEEL** (.050 THICK) BIG TWIN 1929-1954
A-24128-17	SPECIAL pk-5	FLYWHEEL THRUST WASHERS, **STEEL** (.055 THICK) BIG TWIN 1929-1954

# **\*\*EASTERN MOTORCYCLE PARTS\*\***

## **\*\*MOTOR BEARING SPACERS\*\***

### **\*\*AND TOOLS\*\***

### **\*\*BIG TWIN-SPORTSTER\*\***



#### **EASTERN NUMBER**

#### **REPLACES OEM**

#### **DESCRIPTION**

<b><u>EASTERN NUMBER</u></b>	<b><u>REPLACES OEM</u></b>	<b><u>DESCRIPTION</u></b>
A-9110	9110	pk-5 SPACER, MOTOR BEARING, <b>**0895/.0905 THICK**</b> BIG TWIN 1969-2002
A-9120	9120	pk-5 SPACER, MOTOR BEARING, <b>**0915/.0925 THICK**</b> BIG TWIN 1969-2002
A-9121	9121	pk-5 SPACER, MOTOR BEARING, <b>**0935/.0945 THICK**</b> BIG TWIN 1969-2002
A-9122	9122	pk-5 SPACER, MOTOR BEARING, <b>**0955/.0965 THICK**</b> BIG TWIN 1969-2002
A-9123	9123	pk-5 SPACER, MOTOR BEARING, <b>**0975/.0985 THICK**</b> BIG TWIN 1969-2002
A-9124	9124	pk-5 SPACER, MOTOR BEARING, <b>**0995/.1005 THICK**</b> BIG TWIN 1969-2002
A-9125	9125	pk-5 SPACER, MOTOR BEARING, <b>**1015/.1025 THICK**</b> BIG TWIN 1969-2002
A-9126	9126	pk-5 SPACER, MOTOR BEARING, <b>**1035/.1045 THICK**</b> BIG TWIN 1969-2002
A-9127	9127	pk-5 SPACER, MOTOR BEARING, <b>**1055/.1065 THICK**</b> BIG TWIN 1969-2002
A-9128	9128	pk-5 SPACER, MOTOR BEARING, <b>**1075/.1085 THICK**</b> BIG TWIN 1969-2002
A-9129	9129	pk-5 SPACER, MOTOR BEARING, <b>**1095/.1105 THICK**</b> BIG TWIN 1969-2002
A-9130	9130	pk-5 SPACER, MOTOR BEARING, <b>**1115/.1125 THICK**</b> BIG TWIN 1969-2002
A-9131	9131	pk-5 SPACER, MOTOR BEARING, <b>**1135/.1145 THICK**</b> BIG TWIN 1969-2002
A-9132	9132	pk-5 SPACER, MOTOR BEARING, <b>**1155/.1165 THICK**</b> BIG TWIN 1969-2002
A-9133	9133	pk-5 SPACER, MOTOR BEARING, <b>**1175/.1185 THICK**</b> BIG TWIN 1969-2002
A-9134	9134	pk-5 SPACER, MOTOR BEARING, <b>**1195/.1205 THICK**</b> BIG TWIN 1969-2002
A-11160A	11160A	pk-10 RETAINING RING, MOTOR BEARING, <b>**LEFT SIDE**</b> BIG TWIN 1983-2002

**\*\*CONTINUED NEXT PAGE\*\***

**\*5120 HILDA ROAD\* BLACKVILLE, S.C. 29817\* 803-284-3304\***

**\*Pg 128\***

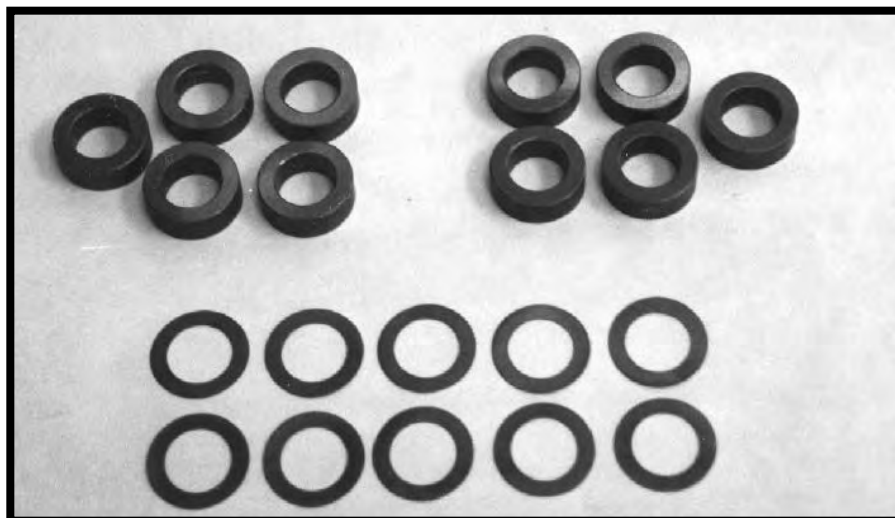
# **\*\*EASTERN MOTORCYCLE PARTS\*\***

## **\*\*MOTOR BEARING SPACERS\*\***

### **\*\*AND TOOLS\*\***

### **\*\*BIG TWIN-SPORTSTER\*\***

<b><u>EASTERN NUMBER</u></b>	<b><u>REPLACES OEM</u></b>	<b><u>DESCRIPTION</u></b>
A-9119A	9119A	pk-10 RETAINING RING, MOTOR BEARING **LEFT SIDE** SPORTSTER 1977-PRES.
A-9142	9142	pk-5 SPACER, MOTOR BEARING **.100 THICK** SPORTSTER 1977-PRESENT
A-9143	9143	pk-5 SPACER, MOTOR BEARING **.102 THICK** SPORTSTER 1977-PRESENT
A-9144	9144	pk-5 SPACER, MOTOR BEARING **.104 THICK** SPORTSTER 1977-PRESENT
A-9145	9145	pk-5 SPACER, MOTOR BEARING **.106 THICK** SPORTSTER 1977-PRESENT
A-9146	9146	pk-5 SPACER, MOTOR BEARING **.108 THICK** SPORTSTER 1977-PRESENT
A-9147	9147	pk-5 SPACER, MOTOR BEARING **.110 THICK** SPORTSTER 1977-PRESENT
A-9148	9148	pk-5 SPACER, MOTOR BEARING **.112 THICK** SPORTSTER 1977-PRESENT
A-9149	9149	pk-5 SPACER, MOTOR BEARING **.114 THICK** SPORTSTER 1977-PRESENT
A-9155	9155	pk-5 SPACER, MOTOR BEARING **.098 THICK** SPORTSTER 1977-PRESENT
45-0115		pk-5 SPACER MOTOR BEARING (INNER) **.256/.257 THICK** BIG TWIN 1955-1968
45-0117		pk-5 SPACER MOTOR BEARING (INNER) **.258/.259 THICK** BIG TWIN 1955-1968
45-0119		pk-5 SPACER MOTOR BEARING (INNER) **.260/.261 THICK** BIG TWIN 1955-1968
45-0121		pk-5 SPACER MOTOR BEARING (INNER) **.262/.263 THICK** BIG TWIN 1955-1968
45-0123		pk-5 SPACER MOTOR BEARING (INNER) **.264/.265 THICK** BIG TWIN 1955-1968
45-0125		pk-5 SPACER MOTOR BEARING (INNER) **.266/.267 THICK** BIG TWIN 1955-1968
45-0135		each SPACER MOTOR BEARING (OUTER) **WITH 3-OIL HOLES** BIG TWIN 1955-'68
A-99030-94		each <b>END PLAY TOOL</b> **TIMKEN BEARINGS** BIG TWIN 1955-PRESENT
A-99032-94		each <b>END PLAY TOOL</b> **TIMKEN BEARINGS** SPORTSTER 1977-PRESENT



A-6783		pk-10 SHIMS, CAM DRIVE SPROCKET (2-CAM) **.005 THICK** BIG TWIN 1999-PRES.
A-6784		pk-10 SHIMS, CAM DRIVE SPROCKET (2-CAM) **.007 THICK** BIG TWIN 1999-PRES.
A-6785		pk-10 SHIMS, CAM DRIVE SPROCKET (2-CAM) **.015 THICK** BIG TWIN 1999-PRES.
A-25562-99	25562-99	pk-5 SPACER, CAM DRIVE SPROCKET, (2-CAM) **.350 THICK** B/TWIN 1999-ONLY
A-25595-99	25595-99	pk-5 SPACER, CAM DRIVE SPROCKET, (2-CAM) **.355 THICK** BIG TWIN 1999-ONLY
A-25674-99	25674-99	pk-5 SPACER, CAM DRIVE SPROCKET, (2-CAM) **.360 THICK** BIG TWIN 1999-ONLY
A-25675-99	25675-99	pk-5 SPACER, CAM DRIVE SPROCKET, (2-CAM) **.365 THICK** BIG TWIN 1999-ONLY
A-25676-99	25676-99	pk-5 SPACER, CAM DRIVE SPROCKET, (2-CAM) **.370 THICK** BIG TWIN 1999-ONLY
A-25676-SET		set-5 SPACER KIT, CAM DRIVE SPROCKET, (2-CAM) BIG TWIN 1999-ONLY SET INCLUDES: (1) each 25562-99, 25595-99, 25674-99, 25675-99, 25676-99

**\*\*SEE PAGE 49 FOR COMPLETE LIST OF 2-CAM SPACERS\*\***

**\*5120 HILDA ROAD\* BLACKVILLE, S.C. 29817\* 803-284-3304\***



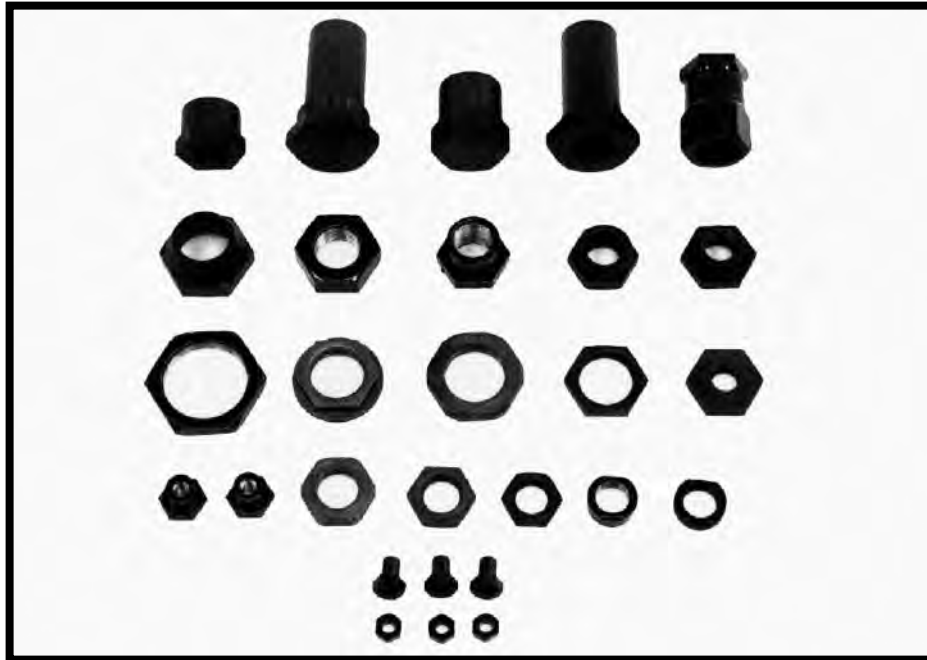
# \*\*EASTERN MOTORCYCLE PARTS\*\*

## \*\*NUTS\*\*

### \*\*BIG TWIN-SPORTSTER\*\*

### \*\*FORTY-FIVE\*\*

### \*\*MASTER LISTING\*\*



**\*\*NUTS ARE PACKAGED IN DIFFERENT QUANTITIES\*\***

<u>EASTERN NUMBER</u>	<u>REPLACES OEM</u>		<u>DESCRIPTION</u>
A-355-16	355-16	each	NUT, PINION SHAFT, **VL MODELS** **L/HAND THREAD** BIG TWIN 1930-1936
A-364-29	364-29	pk-5	NUT, MAINSHAFT, **11/16-18 THREAD** FORTY-FIVE 1933-1940
A-364-30	364-30	pk-5	PINION & SPROCKET SHAFT NUTS, (VL MODELS) BIG TWIN 1930-1936 <b>**EASTERNS**</b>
A-365-15	365-15	pair	NUT, CRANK PIN, **74 & 80** (FOR 1" PIN), BIG TWIN 1921-1936
A-366-36	366-36	pair	NUT, CRANK PIN, **61, 74 & 80** (FOR 1-1/8" PIN), BIG TWIN 1936-1940
35-0580	7515	pk-10	JAM NUT, BIG TWIN-SPORTSTER, (7/16-14, 11/16 HEX) <b>**ZINC PLATED**</b>
35-0432	7680W	pk-10	ACORN NUT, HI-STYLE (3/8-16) <b>**CHROME**</b>
A-7691W	7691W	pk-10	HEX NUT <b>**BLACK PHOSPHATE**</b> (1/4-24 THREAD)
A-7734W	7734W	pk-5	CASTLE NUT, REAR AXLE <b>**CHROME**</b> BIG TWIN 1941-1972
35-0532	7775	pk-10	NYLOCK NUT (3/8-24, 9/16 HEX) <b>**CADMIUM**</b>
A-7803	7803	pk-5	NUT, CLUTCH ADJUSTING SCREW, SPORTSTER 191971-E/1984
35-0546	7825	pk-10	NYLOCK NUT (7/16-20, 5/8 HEX) <b>**CADMIUM**</b>
A-7848W	7848	pk-10	JAM NUT, **7/16-20 THREAD** BIG TWIN L/1984-PRESENT
A-7855W	7855W	pk-5	NUT, MAINSHAFT, SPROCKET SIDE, (1-1/8" HEX) SPORTSTER L/1984-1990
A-7872	7872		<b>**DISCONTINUED, USE 44-0312**</b> NUT, ROCKER SHAFT <b>**W /RED END**</b>
A-7872B	7872B		<b>**DISCONTINUED, USE 44-0315**</b> NUT, ROCKER SHAFT, <b>**W/BLACK ENDS**</b>
44-0312	* 7872	pk-4	NUT, ROCKER SHAFT, <b>**CHROME w/ACRYLIC RED END**</b> B/T 1966-1984, SPORT. 1957-1985
44-0315	* 7872B	pk-4	NUT, ROCKER SHAFT, <b>**CHROME w/BLACK END**</b> B/T 1966-1984, SPORTSTER 1957-1985
A-7911	7911	pk-5	NUT, KICK STARTER & COUNTERSHAFT, BIG TWIN 1936-1985
A-7913	7913	pk-5	NUT, PINION GEAR SHAFT, SPORTSTER 1986-1990
A-7916A	7916A	pk-5	NUT, PINION GEAR SHAFT, BIG TWIN 1993-1999, SPORTSTER 1991-PRESENT
A-7925	7925	pk-5	NUT, COUNTERSHAFT <b>**VL**</b> BIG TWIN 1916-1936
A-7926	7926	pk-5	NUT, KICK STARTER SHAFT, SPORTSTER 1954-1979
A-7974	7974	pk-5	NUT, PINION & SPROCKET SHAFTS, FORTY-FIVE 1929-1973
A-7977	7977	pk-5	NUT, MAINSHAFT, <b>**RIGHT SIDE**</b> BIG TWIN 1937-1985
A-7991	7991	each	NUT, MOTOR SPROCKET, FORTY-FIVE 1929-1973
35-0558	7993	pk-10	NYLOCK NUT (5/8-18, 15/16 HEX) <b>**CADMIUM**</b>

**\*5120 HILDA ROAD\* BLACKVILLE, S.C. 29817\* 803-284-3304\***

# **\*\*EASTERN MOTORCYCLE PARTS\*\***

## **\*\*NUTS\*\***

### **\*\*BIG TWIN-SPORTSTER\*\***

#### **\*\*FORTY-FIVE\*\***

#### **\*\*MASTER LISTING\*\***

<u>EASTERN NUMBER</u>	<u>REPLACES OEM</u>		<u>DESCRIPTION</u>
A-8010	8010	pair	NUT, CRANK PIN, FORTY-FIVE 1929-1973
A-8011	8011	pk-5	NUT, PINION GEAR SHAFT, SPORTSTER 1954-1981
A-8025	8025	each	NUT, MOTOR SPROCKET SHAFT, SPORTSTER 1957-1969
A-8056	8056	each	NUT, REAR AXLE SLEEVE, <b>**ZINC PLATED**</b> FORTY-FIVE 1935-1973
A-8095	8095	each	NUT, REAR AXLE SLEEVE, <b>**ZINC PLATED**</b> BIG TWIN 1937-1957
A-11730A	11730A	pk-5	NUT, CLUTCH ADJUSTING SCREW, SPORTSTER L/1984-PRESENT
A-2274-15	2274-15	pk-5	NUT, STARTER CLUTCH TO MAINSHAFT ( <b>VL MODEL</b> ) BIG TWIN 1915-1929
A-2275-15	2275-15	each	NUT, CLUTCH HUB TO MAINSHAFT ( <b>F,J MODEL</b> ) BIG TWIN 1915-1918
A-2275-19	2275-19	each	NUT, CLUTCH HUB TO MAINSHAFT ( <b>VL MODEL</b> ) BIG TWIN 1919-1929
A-2275-30	2275-30	each	NUT, STARTER CLUTCH TO MAINSHAFT ( <b>VL MODEL</b> ) BIG TWIN 1930-1936
A-23901-81	23901-81	pair	NUT, CRANK PIN, <b>**883 TO 1200C/C**</b> SPORTSTER L/1984-PRESENT
A-23902-81	23902-81	pk-5	NUT, PINION & SPROCKET SHAFT, SPORTSTER L/1981-1985
A-23966-36	23966-36	pair	NUT, CRANK PIN, (61 & 74") <b>**STEP PIN**</b> BIG TWIN 1936-1952
A-23966-54A	23966-54A	pair	NUT, CRANK PIN, (74 & 80") BIG TWIN 1941-E/1981
A-23967-41	23967-41	pair	NUT, CRANK PIN, (1000 & 1200C/C) BIG TWIN 1941-1953
A-23967-48	23967-48	pair	NUT, CRANK PIN, (750C/C) <b>**K-MODEL**</b> SPORTSTER 1952-1953
A-23967-54A	23967-54A	pair	NUT, CRANK PIN, (900 & 1000C/C) SPORTSTER 1954-E/1981
A-23967-56R	23967-56R	pair	NUT, CRANK PIN, <b>**KRRT &amp; XLRTT**</b> SPORTSTER 1955-1969
A-23969-80	23969-80	pair	NUT, CRANK PIN, (1340C/C) BIG TWIN L/1981-E/1983
A-23969-83	23969-83	pair	NUT, CRANK PIN, (1340C/C) BIG TWIN L/1983-1999
A-23981-98	23981-98	pair	CRANK PIN NUTS, (1" X 20 THREAD) BIG TWIN 1999-PRES.
A-24003-30	24003-30	each	NUT, SPROCKET SHAFT, <b>**11/16 X 18 THREAD**</b> BIG TWIN 1930-1954
A-24003-55	24003-55	each	NUT, SPROCKET SHAFT, <b>**7/8 X 14 THREAD**</b> BIG TWIN 1955-1971
A-24016-80	24016-80	pk-5	NUT, PINION GEAR SHAFT, <b>**3/4 X 20 THREAD**</b> BIG TWIN 1981-1988
A-24017-80	24017-80	each	NUT, SPROCKET SHAFT, <b>**1-1/8 X 16 THREAD**</b> BIG TWIN 1972-1986
A-24022-90	24022-90	each	NUT, PINION SHAFT, <b>**LEFT HAND THREAD**</b> BIG TWIN 1991-1992
A-24023-36	24023-36	pk-5	NUT, SPROCKET SHAFT AND PINION SHAFT, BIG TWIN 1936-1970
A-24023-54	24023-54	each	NUT, PINION SHAFT, <b>**LEFT HAND THREAD**</b> BIG TWIN 1955-1990
A-31312-80	31312-80	each	NUT, STARTER SHAFT TO PRIMARY, BIG TWIN 1987-1988
A-31493-67	31493-67	each	NUT, STARTER SHAFT, <b>**LEFT HAND THREAD**</b> BIG TWIN 1965-1988, SPORT. 1967-1985
A-34179-33	34179-33	pk-5	NUT, SHIFTER FINGER BUSHING, <b>**4-SPEED**</b> BIG TWIN 1935-1984
A-35046-36	35046-36	pk-5	NUT, MAINSHAFT BEARING, <b>**4-SPEED**</b> BIG TWIN 1936-1984
A-35047-53	35047-53	each	NUT, MAINSHAFT SPROCKET, (WITH SEAL, #37339-53) SPORTSTER 1954-1970
A-35047-71A	35047-71A	each	NUT, MAINSHAFT SPROCKET, SPORTSTER 1971-E/1984
A-35078-79	35078-79	pk-5	NUT, MAINSHAFT AND COUNTERSHAFT, <b>**5-SPEED**</b> BIG TWIN 1980-PRESENT
A-35211-36	35211-36	each	NUT, SPROCKET TO MAIN DRIVE GEAR, BIG TWIN 1936-1984, SPORTSTER 1990-ONLY
A-35211-91	35211-91	each	NUT, SPROCKET TO MAIN DRIVE GEAR, <b>**5-SPEED**</b> SPORTSTER 1991-PRESENT
A-37361-41	37361-41	pk-5	NUT, CLUTCH ADJUSTING SCREW, (PUSHROD) BIG TWIN 1941-E/1984
A-37460-41	37460-41	each	NUT, CLUTCH GEAR, (MAINSHAFT) FORTY-FIVE 1941-1973
A-37495-91	37495-91	each	NUT, MAINSHAFT TO CLUTCH HUB, <b>**5-SPEED**</b> SPORTSTER 1991-PRESENT
A-37496-41	37496-41	each	NUT, MAINSHAFT TO CLUTCH HUB, <b>**4-SPEED**</b> BIG TWIN 1937-1984
A-37496-84	37496-84	each	NUT, MAINSHAFT TO CLUTCH HUB, <b>**5-SPEED**</b> BIG TWIN 1984-1989
A-37496-90	37496-90	each	NUT, MAINSHAFT TO CLUTCH HUB, <b>**5-SPEED**</b> BIG TWIN 1990-PRESENT
A-37526-56A	37526-56A	each	NUT, CLUTCH HUB, (CLUTCH GEAR) SPORTSTER 1956-1969
A-37527-67	37527-67	each	NUT, CLUTCH HUB, (CLUTCH GEAR) SPORTSTER 1967-1984
A-37581-47	37581-47	pk-3	NUT, CLUTCH HUB STUDS, <b>**SET-3**</b> BIG TWIN 1937-1984, FORTY-FIVE 1941-1973
A-37581-52	37581-52	pk-3	NUT, CLUTCH HUB STUDS, (LARGE) <b>**SET-3**</b> SPORTSTER 1954-1970
A-37582-52	37582-52	pk-3	NUT, CLUTCH HUB STUDS, (SMALL) <b>**SET-3**</b> SPORTSTER 1954-1970
40-0155	43886-30	each	NUT, FRONT AXLE SLEEVE <b>**BLACK OXIDE**</b> BIG TWIN 1936-1945, V.L. 1930-1936
A-47512-52	47512-52	each	NUT, SWING ARM PIVOT BOLT, <b>**LEFT SIDE**</b> SPORTSTER 1952-E/1974
A-47512-74	47512-74	each	NUT, SWING ARM PIVOT BOLT, <b>**LEFT SIDE**</b> SPORTSTER 1974-1981

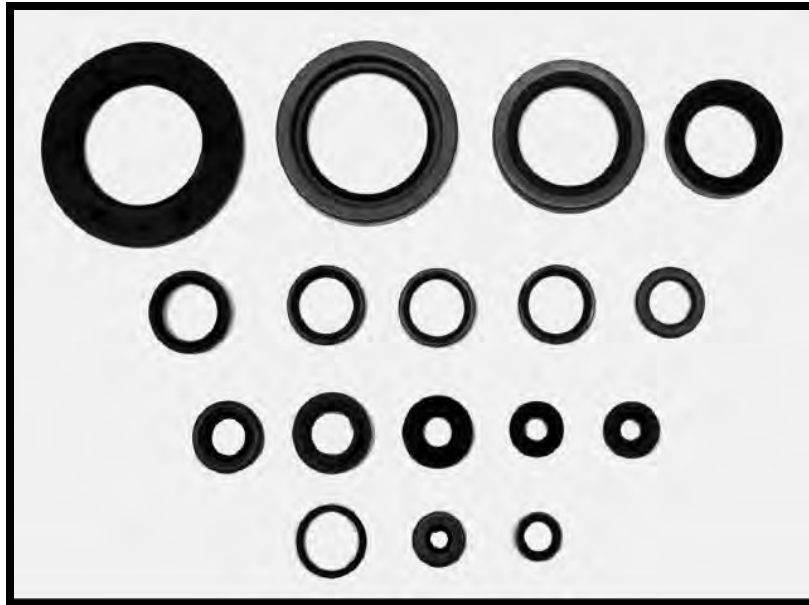
**\*5120 HILDA ROAD\* BLACKVILLE, S.C. 29817\* 803-284-3304\***

# **\*\*EASTERN MOTORCYCLE PARTS\*\***

## **\*\*OIL SEALS\*\***

### **\*\*BIG TWIN-SPORTSTER\*\***

#### **\*\*MASTER LISTING\*\***



<u>EASTERN NUMBER</u>	<u>REPLACES OEM</u>	<u>DESCRIPTION</u>
A-11118	11118 pk-10	QUAD SEALS, PUSH ROD COVER, (UPPER) BIG TWIN 1981-1984
A-11124	11124 pk-5	OIL SEALS, CAM GEAR COVER, SPORTSTER 1971-PRESENT
A-11133A	11133A pk-10	QUAD SEALS, PUSH ROD COVER, (LOWER) BIG TWIN 1979-1984
A-11148	11148 pk-10	QUAD SEALS, SHIFTER LEVER SHAFT, BIG TWIN 1982-1986
A-11165	11165 pk-10	QUAD SEALS, BALL BEARING, BIG TWIN 1984-2006, SPORTSTER 1991-2005
A-11291	11291 pk-10	O-RINGS/SEALS, MANIFOLD AIR PRESSURE, BIG TWIN 1999-2007
A-12002	12002 pk-5	OIL SEALS, GENERATOR, **REAR END COVER** BIG TWIN 1958-1969, SPORT. 1958-'73
A-12010	12010 pk-5	OIL SEALS, FOOT SHIFTER COVER, BIG TWIN 1979-1985
A-12013	12013 pk-5	OIL SEALS, MAIN DRIVE GEAR <b>**WITH RUBBER O.D.**</b> BIG TWIN 1965-1966 & L/1981-'90
A-12013A	12013A pk-5	OIL SEALS, MAIN DRIVE GEAR <b>**WITH METAL O.D.**</b> BIG TWIN 1965-1966 & L/1981-1990
A-12014	12014 pk-5	OIL SEALS, CLUTCH HUB NUT, BIG TWIN 1965-1984
A-12018	12018 pk-5	OIL SEALS, INNER CHAIN HOUSING, BIG TWIN 1970-1978
A-12021	12021 pk-5	OIL SEALS, CLUTCH GEAR, SPORTSTER 1967-1970
A-12022	12022 pk-5	OIL SEALS, MAIN DRIVE GEAR, BIG TWIN 1965-E/1981
A-12023	12023 pk-5	OIL SEALS, MAGNETO MOUNTING, SPORTSTER 1962-1969
A-12026	12026A pk-5	OIL SEALS, SPROCKET SHAFT, (LEFT SIDE) BIG TWIN 1970-1999
A-12026B	12026B pk-5	OIL SEALS, SPROCKET SHAFT, (LEFT SIDE) BIG TWIN 1970-1999
A-12030	12030p pk-5	OIL SEALS, MAIN DRIVE GEAR, SPORTSTER 1991-2005
A-12035	12035 pk-5	OIL SEALS, MAIN DRIVE GEAR, <b>**5-SPEED**</b> BIG TWIN 1991-PRESENT
A-12036	12036 pk-5	OIL SEALS, OIL PUMP OUTER PLATE, SPORTSTER 1977-1982
A-12036A	12036A pk-5	OIL SEALS, OIL PUMP OUTER PLATE, SPORTSTER 1983-1990
A-12043	12043 pk-5	OIL SEALS, STARTER SHAFT, <b>**5-SPEED**</b> BIG TWIN 1980-1984
A-12044	12044 pk-5	OIL SEALS, MAINSHAFT, CLUTCH SIDE, <b>**5-SPEED**</b> BIG TWIN 1980-1984
A-12045	12045 pk-5	OIL SEALS, SHIFTER SHAFT LEVER, <b>**5-SPEED**</b> BIG TWIN 1980-2006
A-12047	12047 pk-5	OIL SEALS, REAR WHEEL, BIG TWIN 1980-1981
A-12049	12049 pk-5	OIL SEALS, COUNTERSHAFT & MAINSHAFT SPROCKET, SPORTSTER 1984-1990
A-12050	12050 pk-5	OIL SEALS, MAINSHAFT, CLUTCH SIDE, <b>**5-SPEED**</b> B/T 1984-1994, SPORT. 1991-1994
A-12051	12051 pk-5	OIL SEALS, STARTER SHAFT, <b>**5-SPEED**</b> BIG TWIN 1984-1990
A-12052	12052 pk-5	OIL SEALS, INNER CHAIN HOUSING, (MAINSHAFT) <b>**5-SPEED**</b> BIG TWIN 1985-PRES.
43-0200	12074 pk-5	OIL SEALS, MAINSHAFT, CLUTCH SIDE, BIG TWIN 2006-PRES, SPORTSTER 2006-PRES

**\*\*CONTINUED ON NEXT PAGE\*\***

# **\*\*EASTERN MOTORCYCLE PARTS\*\***

## **\*\*OIL SEALS\*\***

### **\*\*BIG TWIN-SPORTSTER\*\***

#### **\*\*MASTER LISTING\*\***

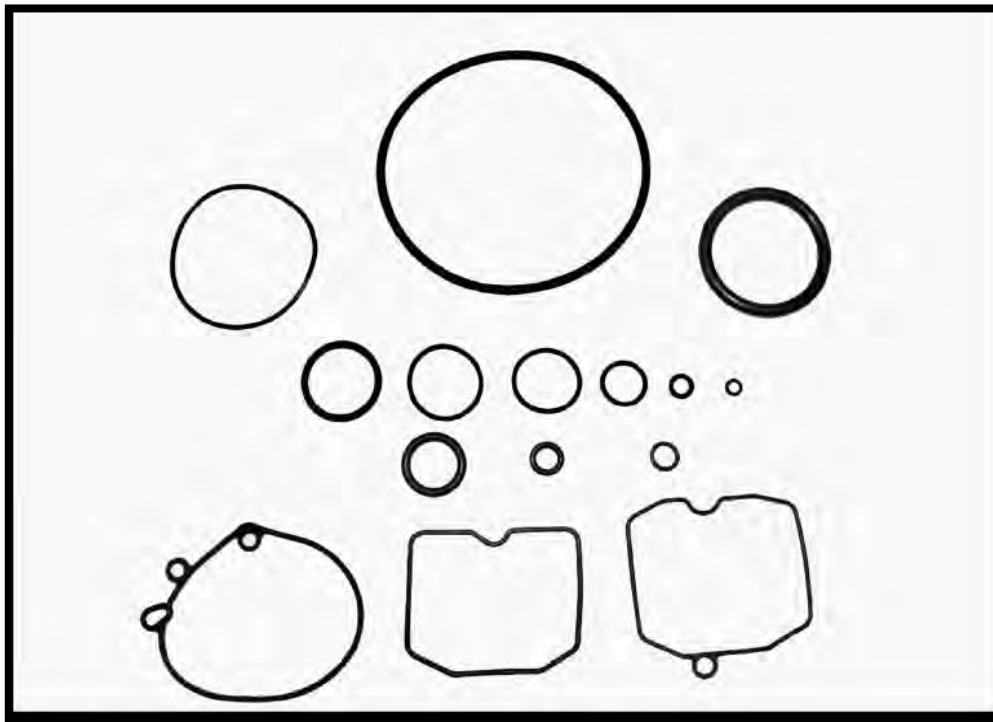
<u>EASTERN NUMBER</u>	<u>REPLACES OEM</u>		<u>DESCRIPTION</u>
A-12053A	12053A	pk-5	OIL SEALS, INNER CHAIN HOUSING, (STARTER SHAFT) **5-SPEED** B/T 1989-1993
A-12066	12066	pk-5	OIL SEALS, INNER CHAIN HOUSING, (STARTER SHAFT) **5-SPEED** BIG TWIN 1994-P.
A-12067A	12067A	pk-5	OIL SEALS, MAINSHAFT, **5-SPEED** BIG TWIN 1994-2006, SPORTSTER 1995-2005
A-12068	12068	pk-5	OIL SEALS, SPROCKET SHAFT, **2-CAM** BIG TWIN 1999-PRES, SPORTSTER 2004-P.
A-12071K	12071K	pk-5	OIL SEALS, SHIFTER SHAFT, **VRSC** V-ROD 2002-PRESENT
A-12072K	12072K	pk-5	OIL SEALS, MAINSHAFT, CLUTCH SIDE **VRSC** V-ROD 2002-PRESENT
43-0205	12077	pk-5	OIL SEALS, MAIN DRIVE GEAR, **2-CAM** BIG TWIN 2006-PRESENT
44-0500	17393-07	pk-10	SEALS, ROCKER BREATHER, (RUBBER) SPORTSTER 2007-PRESENT
A-17475-38	17475-38	pk-4	OIL SEALS, ROCKER ARMS, (LATHE CUT) BIG TWIN 1936-1947
A-17475-38B	17475-38	pk-4	OIL SEALS, ROCKER ARMS, (OEM STYLE) BIG TWIN 1936-1947
A-26227-58	26227-58	pk-5	OIL SEALS, OIL PUMP BODY, BIG TWIN 1968-1999, SPORTSTER L/1958-1976
A-26992-99	26992-99	pk-10	SEALS, INTAKE MANIFOLD, **KEIHIM CARBURETOR** BIG TWIN 1999-2000
A-26995-86A	26995-86A	pk-10	SEALS, INTAKE MANIFOLD, **KEIHIM CARB.** BIG TWIN 1990-PRES., SPORT. 1986-P.
A-27002-89	27002-89	each	SEALS, INTAKE MANIFOLD, (SEAL RING) BIG TWIN 1990-2006, SPORT. 1988-2006
A-27062-78A	27062-78	pk-10	SEALS, INTAKE MANIFOLD, **U.S.A.** BIG TWIN 1978-1984, SPORT. 1978-1985
A-29911-82	29911-82	pk-5	OIL SEALS, GENERATOR, GEAR END, SPORTSTER 1982-E/1984
A-30145-46A	30145-46A	pk-5	OIL SEALS, GENERATOR, END COVER, BIG TWIN 1932-1969, SPORTSTER 1952-1981
A-31341-80	31341-80	pk-5	OIL SEALS, STARTER SHAFT HOUSING, BIG TWIN 1982-1984
A-33076-37	33076-37	pk-5	OIL SEALS, KICK STARTER SHAFT, BIG TWIN 1937-1969, SPORTSTER 1952-1979
A-34035-52	34035-52	pk-5	OIL SEALS, SHIFTER SHAFT LEVER, SPORTSTER 1952-1990
A-34036-36	34036-36	pk-5	OIL SEALS, SHIFTER CAM SHAFT, BIG TWIN 1937-1979, FORTY-FIVE 1941-1973
A-34831-39	34831-39	pk-10	OIL SEALS, CASE COVER (LATHE CUT) FORTY-FIVE 1941-1973
A-35151-52A	35151-52A	pk-5	OIL SEALS, MAINSHAFT & SPROCKET SHAFT, SPORTSTER 1954-1976
A-35151-74	35151-74	pk-5	OIL SEALS, MAINSHAFT & SPROCKET SHAFT, SPORTSTER 1977-2003
A-35230-36	35230-39	pk-5	OIL SEALS, MAINSHAFT RACE, **4-SPEED** BIG TWIN 1936-1979
A-37101-84	37101-84	pk-5	OIL SEALS, SHIFTER SHAFT LEVER, BIG TWIN 1984-1986, SPORTSTER 1986-1990
A-37107-06	37107-06	pk-5	OIL SEALS, SHIFTER SHAFT LEVER, SPORTSTER 2006-PRESENT
A-37339-53	37339-53	pk-5	OIL SEALS, MAINSHAFT NUT, SPORTSTER 1954-1970
A-37465-41	37465-41	pk-5	OIL SEALS, MAIN DRIVE GEAR, FORTY-FIVE 1941-1973
A-37531-56B	37531-56B	pk-5	OIL SEALS, CLUTCH GEAR, SPORTSTER 1956-1969
A-37740-57	37740-57	pk-5	OIL SEALS, CLUTCH SPROCKET SHELL, SPORTSTER 1957-1969
A-37741-82	37741-82	pk-5	OIL SEALS, MAINSHAFT DRIVE GEAR, BIG TWIN 1982-1986
A-41210-55	41210-55	pk-5	OIL SEALS, REAR WHEEL BEARING, BIG TWIN 1967-1972, SPORTSTER 1955-1978
A-45378-87	45378-87	pk-5	OIL SEALS, FRONT FORK, (SLIDER TUBE) BIG TWIN 1987-1996, SPORTSTER 1988-2009
A-45387-83	45387-83	pk-5	OIL SEALS, FRONT FORK, (SLIDER TUBE) BIG TWIN 1985-1990, SPORT. 1984-1987
A-45400-75	45400-75	pk-5	OIL SEALS, FRONT FORKS, **SHOWA** BIG TWIN 1976-1983, SPORTSTER 1975-1983
A-45852-48	45852-48A	pk-5	OIL SEALS, FRONT FORKS, (UPPER LEG) BIG TWIN 1949-1977
A-45875-84	45875-84	pk-5	OIL SEALS, FRONT FORK, (SLIDER TUBE) BIG TWIN 1984-PRESENT
A-45927-73	45927-73	pk-5	OIL SEALS, FRONT FORKS, **KAYABA** BIG TWIN 1973-1976, SPORTSTER 1973-1974
A-45975-71	45975-71	pk-5	OIL SEALS, FRONT FORK LEG, BIG TWIN 1971-1972, SPORTSTER 1971-1972
A-46514-01	46514-01	pk-5	OIL SEALS, FRONT FORK LEG, BIG TWIN 2001-PRESENT
A-47519-58	47519-58	pk-5	OIL SEALS, WHEEL HUB SWING ARM, BIG TWIN 1958-1972
A-47519-72	47519-72	pk-5	OIL SEALS, WHEEL HUB SWING ARM, BIG TWIN 1973-1983, SPORTSTER 1973-1983
A-47519-83A	47519-83A	pk-5	OIL SEALS, WHEEL HUB SWING ARM, (THICK) BIG TWIN 1984-'99, SPORTSTER 1984-'99
A-60641-74	60641-74	pk-5	OIL SEALS, SHIFTER SHAFT, (PRIMARY COVER) BIG TWIN 1974-1984
A-62360-50	62360-50	pk-10	OIL SLEEVE, GAS LINES, BIG TWIN 1950-1965, SPORTSTER 1954-1976
A-63529-50	63529-50	pk-10	OIL SLEEVE, OIL LINES, BIG TWIN 1949-1964, SPORTSTER 1954-1966
L-3-942	63529-57	pk-10	OIL SLEEVE, OIL LINES, BIG TWIN 1966-1984, SPORTSTER 1957-1985
A-83162-51	83162-51	pk-5	OIL SEALS, CRANKCASE, BIG TWIN 1970-1999

# **\*\*EASTERN MOTORCYCLE PARTS\*\***

## **\*\*O-RINGS\*\***

### **\*\*BIG TWIN-SPORTSTER\*\***

#### **\*\*MASTER LISTING\*\***



<b><u>EASTERN NUMBER</u></b>	<b><u>REPLACES OEM</u></b>	<b><u>DESCRIPTION</u></b>
44-0305	10957	pk-10 O-RINGS, STARTER MOTOR SUB ASSEMBLY, BIG TWIN 2008-PRES., SPORT. 2008-PRES
44-0135	10969	pk-10 O-RINGS, OIL PUMP ASSEMBLY COVER, SPORTSTER 2009-PRESENT
44-0140	10996	pk-10 O-RINGS, OIL PUMP COVER, SPORTSTER 2009-PRESENT
A-11100	11100	pk-10 O-RINGS, TAPPET GUIDES, SPORTSTER 1957-1985
A-11101	11101	pk-10 O-RINGS, ROCKER ARM SHAFT, BIG TWIN 1966-1984, SPORTSTER 1957-1985
A-11101X	11101	pk-10 O-RINGS, ROCKER ARM SHAFT, **OVERSIZE** BIG TWIN 1966-1984, SPORT. 1957-1985
A-11102	11102	pk-10 O-RINGS, CIRCUIT BREAKER HOUSING, SPORTSTER 1966-1969
A-11103	11103	pk-10 O-RINGS, CLUTCH GEAR END, SPORTSTER 1957-1969
A-11105	11105	pk-10 O-RINGS, OIL PUMP AND DRAIN PLUG, BIG TWIN 1978-PRES., SPORTSTER 1978-PRES.
A-11106	11106	pk-10 O-RINGS, FILLER CAP, **CHAIN COVER** SPORTSTER 1971-1978
A-11107	11107	pk-10 O-RINGS, CARBURETOR ADAPTER, BIG TWIN 1967-1970, SPORTSTER 1966-1971
A-11110	11110	pk-10 O-RINGS, TACHOMETER AND TAPPET GUIDES, SPORT. 1962-1969, SPORT. 1986-PRES
A-11113	11113	pk-10 O-RINGS, MAIN DRIVE GEAR <b>**883 &amp; 1200 C/C)</b> SPORTSTER 2006-PRESENT
A-11115	11115	pk-10 O-RINGS, COUNTERSHAFT & XR ROCKER SHAFT, BIG TWIN 1965-1984, SP. 1983-1985
A-11116	11116	pk-10 O-RINGS, STARTER HOUSING, (HITACHI) BIG TWIN 1988-2007, SPORTSTER 1981-2007
A-11117	11117	pk-10 O-RINGS, SHIFTER LEVER SLEEVE, BIG TWIN 1984-2005
A-11119	11119	pk-10 O-RINGS, CLUTCH GEAR, SPORTSTER 1967-1970
A-11120	11120	pk-10 O-RINGS, OIL SPOUT DIP STICK, **6-SPEED** BIG TWIN 2006-PRESENT
A-11123	11123	pk-10 O-RINGS, VALVE SPRING COVER, **FLATHEAD** FORTY-FIVE 1969-1973
A-11125	11125	pk-10 O-RINGS, INNER CHAIN HOUSING, BIG TWIN 1970-1982
A-11132	11132	pk-10 O-RINGS, PUSHROD COVER, (MIDDLE) BIG TWIN 1979-PRES., SPORTSTER 1979-1989
A-11133	11133	pk-10 O-RINGS, PUSHROD COVER, (LOWER) BIG TWIN 1979-1984

**\*\*CONTINUED ON NEXT PAGE\*\***

**\*5120 HILDA ROAD\* BLACKVILLE, S.C. 29817\* 803-284-3304\***

**\*Pg 134\***

# **\*\*EASTERN MOTORCYCLE PARTS\*\***

## **\*\*O-RINGS\*\***

### **\*\*BIG TWIN-SPORTSTER\*\***

#### **\*\*MASTER LISTING\*\***

<b><u>EASTERN NUMBER</u></b>	<b><u>REPLACES OEM</u></b>	<b><u>DESCRIPTION</u></b>
A-11139	11139	pk-10 O-RINGS, FILLER CAP, **PRIMARY COVER** SPORTSTER 1978-PRESENT
A-11140	11140	pk-10 O-RINGS, AIR CONTROL CAP, (FRONT FORK) BIG TWIN 1984-PRESENT
A-11145	11145	pk-10 O-RINGS, TAPPET GUIDES, BIG TWIN 1984-PRESENT, SPORTSTER 1986-PRESENT
A-11147	11147	pk-10 O-RINGS, CHAIN HOUSING COVER, BIG TWIN 1982-2006
A-11156	11156	pk-10 O-RINGS, FRONT FORK AIR CONTROL, BIG TWIN 1984-1986
A-11157	11157	pk-10 O-RINGS, PUSHROD COVER, (UPPER) BIG TWIN 1984-1999, SPORTSTER 1986-2006
A-11159	11159	pk-10 O-RINGS, OIL TANK FITTINGS, BIG TWIN 1984-1999
A-11162	11162	pk-10 O-RINGS, MAINSHAFT, RIGHT END **5-SPEED** BIG TWIN 1984-1999
A-11166	11166	pk-10 O-RINGS, COUNTERSHAFT, **4-SPEED** BIG TWIN 1985-1986
A-11167	11167	pk-10 O-RINGS, TAPPET GUIDES, (UPPER) SPORTSTER 1986-PRESENT
A-11168	11168	pk-10 O-RINGS, TAPPET GUIDES, (LOWER) SPORTSTER 1986-PRESENT
A-11170	11170	pk-10 O-RINGS, FRONT FORK AIR CONTROL, BIG TWIN 1987-1999
A-11171	11171	pk-10 O-RINGS, FRONT FORK AIR CONTROL & STARTER MOTOR, B/T 1987-1996, SP. 1986-P.
A-11172	11172	pk-10 O-RINGS, GEARCASE, CAM GEAR OILER, SPORTSTER 1985-ONLY
A-11173	11173	pk-10 O-RINGS, FRONT WHEEL BEARING, BIG TWIN 1987-1996
A-11174	11174	pk-10 O-RINGS, GAS TANK STRAP, BIG TWIN 1987-1996
A-11176	11176	pk-10 O-RINGS, TAPPET COVER, SPORTSTER 1991-PRESENT
A-11178	11178	pk-10 O-RINGS, FILLER PLUG, BIG TWIN 1987-1992
A-11179	11179	pk-10 O-RINGS, CLUTCH CABLE, BIG TWIN 1987-PRESENT
A-11187	11187	pk-10 O-RINGS, CLUTCH INSPECTION COVER, **883,1200C/C** SPORTSTER 1991-1994
A-11188	11188	pk-10 O-RINGS, CHAIN INSPECTION COVER, **883,1200C/C** SPORTSTER 1991-2003
A-11190	11190	pk-10 O-RINGS, PUSHROD COVER, (UPPER) **883,1200C/C** SPORTSTER 1991-PRESENT
A-11191	11191	pk-10 O-RINGS, SHIFTER LEVER, BIG TWIN 1990-1996
A-11201	11201	pk-10 O-RINGS, MAIN DRIVE GEAR **DYNA** BIG TWIN 2006-PRESENT
A-11241	11241	pk-10 O-RINGS, OIL PUMP COVER, (LOWER) BIG TWIN 1992-1999
A-11256	11256	pk-10 O-RINGS, CYLINDER SPIGOT TO CASE, **2-CAM** BIG TWIN 1999-PRESENT
A-11270	11270	pk-10 O-RINGS, ROCKER ARM SUPPORT, **2-CAM** BIG TWIN 1999-PRESENT
A-11273	11273	pk-10 O-RINGS, CYLINDER DECK RING DOWEL, **2-CAM** BIG TWIN 1999-PRESENT
A-11286	11286	pk-10 O-RINGS, OIL PUMP, RIGHT SIDE (OUTER) **2-CAM** BIG TWIN 1999-2006
A-11288	11288	pk-10 O-RINGS, CAM POSITION SENSOR, **2-CAM** BIG TWIN 1999-2001
A-11289	11289	pk-10 O-RINGS, CRANKSHAFT POSITION SENSOR, BIG TWIN 1999-PRES. SPORT. 2004-PRES
A-11290	11290	pk-10 O-RINGS, NEUTRAL INDICATOR SWITCH, BIG TWIN 1999-PRESENT
A-11291	11291	pk-10 O-RINGS/SEALS, MANIFOLD AIR PRESSURE, BIG TWIN 1999-2007
A-11292	11292	pk-10 O-RINGS, CARBURETOR BACKING PLATE, **2-CAM** BIG TWIN 1999-PRESENT
A-11293	11293	pk-10 O-RINGS, UPPER PUSHROD COVER & OIL PUMP, **2-CAM** BIG TWIN 1999-PRESENT
A-11298	11298	pk-10 O-RINGS, CAM SUPPORT PLUG, **2-CAM** BIG TWIN 1999-2006
A-11301	11301	pk-10 O-RINGS, OIL PUMP, RIGHT SIDE (INNER) **2-CAM** BIG TWIN 1999-PRESENT
A-11312K	11312K	pk-10 O-RINGS, OIL PUMP THERMOSTAT TUBE, **VRSC** V-ROD 2002-PRESENT
A-11314K	11314K	pk-10 O-RINGS, CYLINDER LINER, **VRSC** V-ROD 2002-PRESENT
44-0130	11324	pk-10 O-RINGS, PRIMARY COVER DRAIN PLUG, BIG TWIN 2004-2006
A-11326	11326	pk-10 O-RINGS, OIL LINE CONNECTOR, BIG TWIN 2000-PRESENT
A-11331K	11331K	pk-10 O-RINGS, OIL PUMP HOUSING, **VRSC** V-ROD 2002-PRESENT
44-0110	11345	pk-10 O-RINGS, OIL TANK DIPSTICK, BIG TWIN 2000-PRESENT
A-11361	11361	pk-10 O-RINGS, AIR INTAKE SENSOR, **VRSC** V-ROD 2002-PRESENT
A-11377	11377	pk-10 O-RINGS, PUSHROD COVER, (UPPER) **883,1200C/C** SPORTSTER 2004-PRESENT
A-11573	11573	pk-10 O-RINGS, OIL SPOUT, **6-SPEED** BIG TWIN 2006-PRESENT
44-0100	11621	pk-10 O-RINGS, BREATHER CHECK VALVE, SPORTSTER 2010-PRESENT
44-0120	11625	pk-10 O-RINGS, BREATHER CHECK VALVE, SPORTSTER 2010-PRESENT
44-0125	11631	pk-10 O-RINGS, MAIN DRIVE GEAR SPACER, SPORTSTER 2009-PRESENT

**\*\*CONTINUED NEXT PAGE\*\***

**\*5120 HILDA ROAD\* BLACKVILLE, S.C. 29817\* 803-284-3304\***

**\*Pg 135\***

# **\*\*EASTERN MOTORCYCLE PARTS\*\***

## **\*\*O-RINGS\*\***

### **\*\*BIG TWIN-SPORTSTER\*\***

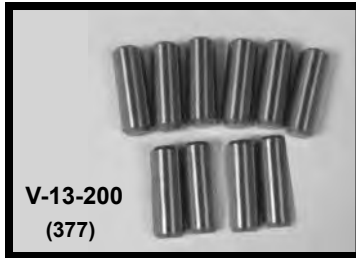
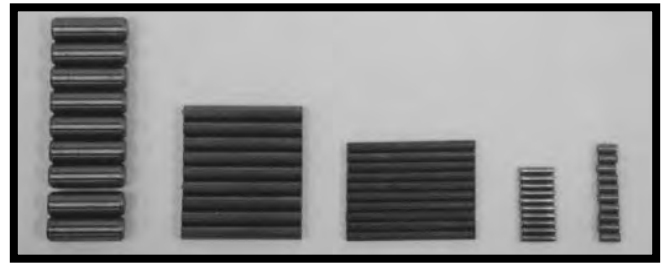
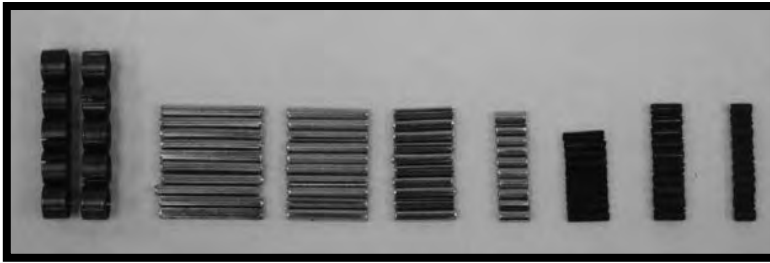
#### **\*\*MASTER LISTING\*\***

<b><u>EASTERN NUMBER</u></b>	<b><u>REPLACES OEM</u></b>	<b><u>DESCRIPTION</u></b>
A-17944-89	17944-89	pk-10 O-RINGS, PUSHROD COVER, (LOWER) **883,1200C/C** SPORTSTER 1991-PRESENT
47-2200	25416-70A	pk-5 GASKETS, DERBY COVER, **FOAMET MATERIAL** BIG TWIN 1970-1998
A-25416-84	25416-84	pk-10 O-RINGS, CLUTCH INSPECTION COVER, **4 & 5 SPEED** BIG TWIN 1984-1997
A-25416-84B	25416-84B	pk-10 O-RINGS, CLUTCH INSPECTION COVER, **QUAD RING** BIG TWIN 1984-1998
47-2205	25416-99B	pk-5 GASKETS, DERBY COVER, **FOAMET MATERIAL** BIG TWIN 1999-2006
A-25416-99	25416-99	pk-10 O-RINGS, CLUTCH INSPECTION COVER, **2-CAM** BIG TWIN 1999-2006
A-26432-76A	26432-76A	pk-10 O-RINGS, CYLINDER STUD INSERT & OIL PUMP BODY, B/T 1985-'07, SPORT. 1977-1990
A-26433-77	26433-77	pk-10 O-RINGS, OIL PUMP CHECK VALVE, SPORTSTER 1977-1990
A-26434-76A	26434-76A	pk-10 O-RINGS, OIL PUMP COVER, SPORTSTER 1977-1990
A-26434-91	26434-91	pk-10 O-RINGS, OIL PUMP COVER, SPORTSTER 1991-PRESENT
A-27060-55	27060-55	pk-10 O-RINGS, INTAKE MANIFOLD, BIG TWIN 1955-1978, SPORTSTER 1957-1978
A-27121-89	27121-89	pk-10 O-RINGS, FLOAT BOWL VALVE, **CARBURETOR** BIG TWIN 1990-1992, SP. 1989-1989
A-27157-89	27157-89	pk-10 O-RINGS, FLOAT BOWL DRAIN SCREW, BIG TWIN 1990-1999, SPORTSTER 1989-2006
A-27237-95	27237-95	pk-10 O-RINGS, FUEL FITTING (UPPER) **FUEL INJECTED** BIG TWIN 1996-2001
A-27244-95	27244-95	pk-10 O-RINGS, FUEL FITTING (UPPER) **FUEL INJECTED** BIG TWIN 1996-2001
A-27324-83	27324-83	pk-10 O-RINGS, FLOAT BOWL, **KEIHIM CARB.** BIG TWIN 1984-1990, SPORT. 1984-PRES.
A-27326-71	27326-71	pk-10 O-RINGS, FLOAT BOWL, **BENDIX CARB.** BIG TWIN 1971-1975, SPORT. 1972-1976
A-27336-76	27336-76	pk-10 O-RINGS, CARBURETOR FLANGE, BIG TWIN 1976-1978, SPORTSTER 1976-1978
A-27358-76	27358-76	pk-10 O-RINGS, FLOAT BOWL, **KEIHIM CARB.** BIG TWIN 1976-1978, SPORT. 1976-1978
A-27360-76	27360-76	pk-10 O-RINGS, PUMP ACCELERATOR **KEIHIM CARBURETOR** B/T 1976-P., SPORT 1976-P
44-0300	27444-00Y	pk-10 O-RING, STARTER MOTOR, BIG TWIN 2007-PRESENT, SPORTSTER 2000-PRESENT
A-27577-88	27577-88	pk-5 O-RINGS, FLOAT BOWL CHAMBER, BIG TWIN 1990-1991, SPORTSTER 1988-1991
A-27577-92	27577-92	pk-5 O-RINGS, FLOAT BOWL CHAMBER, BIG TWIN 1992-2006, SPORTSTER 1992-2006
A-27889-78	27889-78	pk-10 O-RINGS, FLOAT BOWL, **KEIHIM CARB.** BIG TWIN 1978-1983, SPORTSTER 1978-1983
A-31695-90	31695-90	pk-10 O-RINGS, STARTER CLUTCH HOUSING, BIG TWIN 1991-2010
A-33340-90	33340-90	pk-10 O-RINGS, STARTER SHAFT, BIG TWIN 1990-1992
A-34036-80	34036-80	pk-10 O-RINGS, SHIFTER CAM SHAFT & STARTER MOTOR, BIG TWIN 1980-1984, SP. 1981-'86
A-44059-83	44059-83	pk-10 O-RINGS, BRAKE CALIPER, **FRONT** BIG TWIN 1983-1999, SPORTSTER 1983-1999
A-44127-72A	44127-72A	pk-10 O-RINGS, BRAKE CALIPER, **FRONT & REAR** BIG TWIN 1972-1980, SPORT. 1973-1974
A-45443-86	45443-86	pk-10 O-RINGS, FRONT FORK, **UPPER TUBE** BIG TWIN 1986-1998
A-45780-52	45780-52	pk-10 O-RINGS, FRONT FORK TUBE CAP, SPORTSTER 1954-1970
A-45845-77	45845-77	pk-10 O-RINGS, SLIDER TUBE PLUG, BIG TWIN 1977-PRESENT
A-45982-73	45982-73	pk-10 O-RINGS, SLIDER TUBE CAP, BIG TWIN 1973-PRESENT, SPORTSTER 1973-PRESENT
A-45984-87	45984-87	pk-10 O-RINGS, FRONT FORK TUBE PLUG, BIG TWIN 1987-PRESENT
A-62672-90	62672-90	pk-10 O-RINGS, LOWER DIP STICK COVER, **5-SPEED** BIG TWIN 1991-PRESENT
A-62673-90	62673-90	pk-10 O-RINGS, OIL SPOUT UPPER COVER, **5-SPEED** BIG TWIN 1991-PRESENT
A-63879-53	63879-53	pk-10 O-RINGS, OIL FILTER CUP, BIG TWIN 1958-1982, SPORTSTER 1954-1978

# \*\*EASTERN MOTORCYCLE PARTS\*\*

## \*\*ROLL & DOWEL PINS\*\*

### \*\*BIG TWIN-SPORTSTER\*\*



#### EASTERN NUMBER

#### REPLACES OEM

#### DESCRIPTION

#### \*\*ROLL PINS\*\*

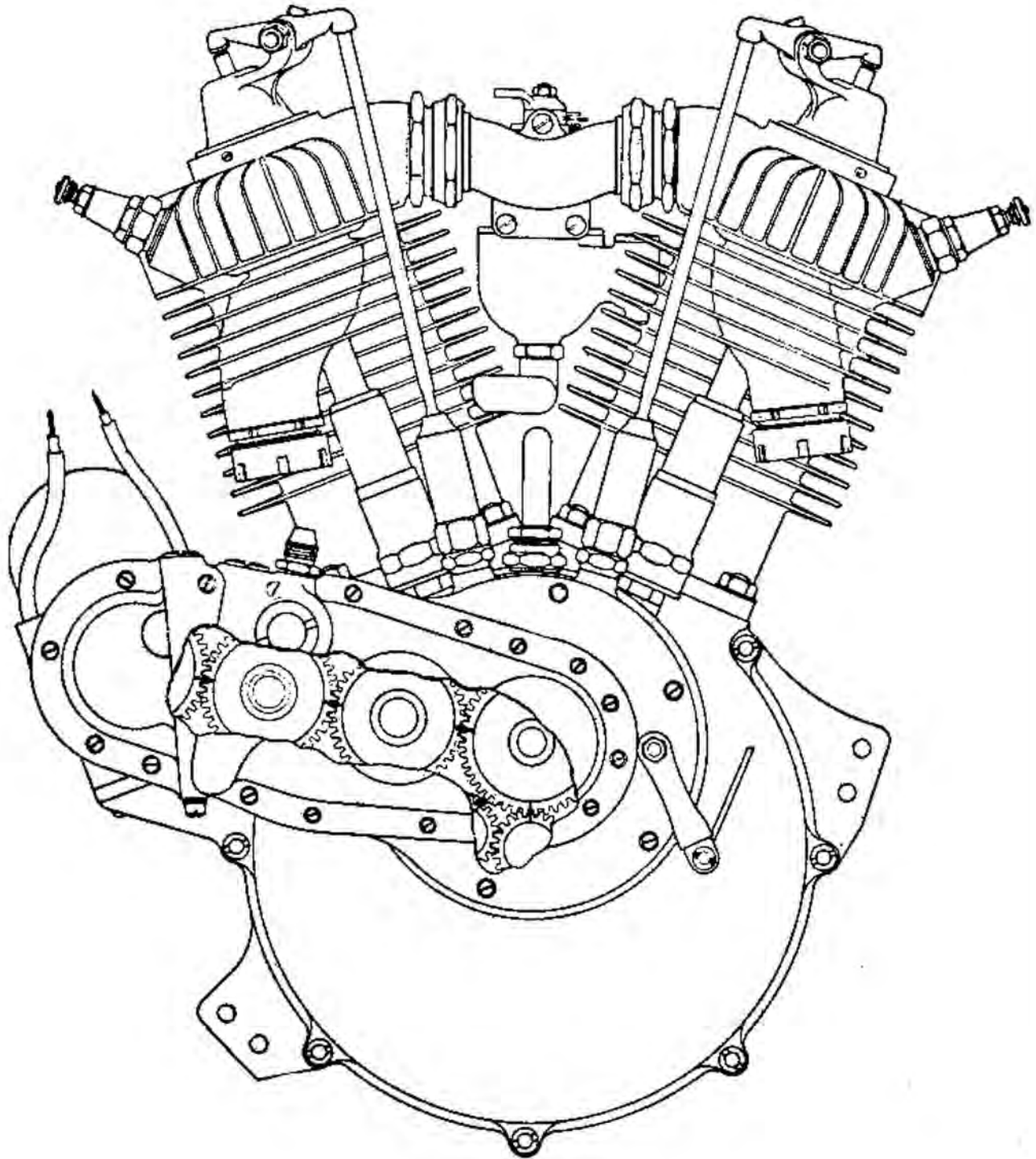
<u>EASTERN NUMBER</u>	<u>REPLACES OEM</u>	<u>DESCRIPTION</u>
A-238	238	pk-25 ROLL PINS, <b>**3/32 X 1/2" LONG**</b> BIG TWIN-SPORTSTER (ZINC PLATED)
A-239	239	pk-25 ROLL PINS, <b>**3/32 X 9/16" LONG**</b> BIG TWIN-SPORTSTER (ZINC PLATED)
V-13-212	256	pk-25 ROLL PINS, <b>**7/64 X 1/2" LONG**</b> BIG TWIN-SPORTSTER (ZINC PLATED)
A-271	271	pk-25 ROLL PINS, <b>**1/8 X 1/4" LONG**</b> CAM BUSHINGS, BIG TWIN 1930-P., SPORT. 1952-P.
A-334A	334A	pk-25 ROLL PINS, <b>**1/8 X 3/8" LONG**</b> BIG TWIN-SPORTSTER (ZINC PLATED)
A-600	600	pk-25 ROLL PINS, <b>**1/8 X 1/2" LONG**</b> BIG TWIN-SPORTSTER (ZINC PLATED)
A-601	601	pk-25 ROLL PINS, <b>**1/8 X 3/4" LONG**</b> BIG TWIN-SPORTSTER (ZINC PLATED)
A-603	603	pk-25 ROLL PINS, <b>**3/32 X 1/2" LONG**</b> BIG TWIN-SPORTSTER (BLACK OXED)
A-604	604	pk-25 ROLL PINS, <b>**1/8 X 3/8" LONG**</b> BIG TWIN-SPORTSTER (ZINC PLATED)
A-609	609	pk-25 ROLL PINS, <b>**3/8 X 5/16" LONG**</b> BIG TWIN-SPORTSTER (ZINC PLATED)
A-612	612	pk-25 ROLL PINS, <b>**3/32 X 3/4" LONG**</b> BIG TWIN-SPORTSTER (ZINC PLATED)
A-613	613	pk-25 ROLL PINS, <b>**1/8 X 1-1/4" LONG**</b> BIG TWIN-SPORTSTER (ZINC PLATED)
A-614	614	pk-25 ROLL PINS, <b>**1/8 X 1" LONG**</b> BIG TWIN-SPORTSTER (ZINC PLATED)
A-615	615	pk-25 ROLL PINS, <b>**3/32 X 7/16" LONG**</b> BIG TWIN-SPORTSTER (ZINC PLATED)
A-620	620	pk-25 ROLL PINS, <b>**FOR BREAKER WEIGHTS**</b> BIG TWIN 1970-1979, SPORTSTER 1971-1979
A-623	623	pk-25 ROLL PINS, <b>**1/16 X 1/4" LONG**</b> BIG TWIN-SPORTSTER (ZINC PLATED)
A-631	631	pk-25 ROLL PINS, <b>**1/4 X 1/2" LONG**</b> BIG TWIN-SPORTSTER (ZINC PLATED)
A-634	634	pk-10 ROLL PINS, <b>**3/12 X 3/4" LONG**</b> BIG TWIN-SPORTSTER (ZINC PLATED)

#### \*\*DOWEL PINS\*\*

A-215	215	pk-10 DOWEL PINS <b>**3/13 X .748" LONG**</b>
A-223	223	pk-10 DOWEL PINS, <b>**1/8 X 1.625" LONG**</b> OIL PUMP, BIG TWIN 1980-E1982
A-240	240	pk-25 DOWEL PINS, <b>**0.094 X .488" LONG**</b> OIL PUMP FEED GEAR, SPORTSTER 1961-1971
A-275	275	pk-25 DOWEL PINS, <b>**1/25 X 1/4" LONG**</b> CAM BUSHINGS, BIG TWIN 1930-1998, SP. 1952-98
A-333	333	pk-25 DOWEL PINS, OIL STRAINER IN CRANKCASE, SPORT. 1952-1976, FORTY-FIVE 1937-'73
A-327	327	pk-25 DOWEL PINS, <b>**1/8 X .680 LONG**</b> GENERATOR GEAR, BIG TWIN 1932-1957
A-337	337	pk-10 DOWEL PINS, <b>**3075X1.001" **</b> TRANSMISSION, BIG TWIN 1989-PRESENT
A-358	358	pk-10 DOWEL PINS <b>**251 X .496" LONG**</b>
A-375	375	pk-25 DOWEL PINS, <b>**308 X .690" LONG**</b>
V-13-200	377	pk-10 DOWEL PINS, CAM COVER, <b>**370 X 1.065 LONG**</b> BIG TWIN-SPORTSTER
V-13-205	16583-00A	pk-10 DOWEL RING, BALANCE SHAFT, <b>**3945 X .375 LONG**</b> BIG TWIN 2001-PRESENT
V-13-210	16589-99A	pk-10 DOWEL RING, CAM SUPPORT PLATE, <b>**3745 X .400 LONG**</b> BIG TWIN 1999-PRESENT
A-26430-76	26430-76	pk-25 DOWEL PINS, <b>**125 X .310 LONG**</b> GEAR SHAFT, SPORTSTER 1977-1990
41-0148		set-8 DOWEL PINS, ROCKER ARM BLOCKS, <b>**1875 X .495 LONG**</b> BIG TWIN 1948-1965
24754-75A	24754-75A	pk-10 DOWEL PINS, CRANKCASE <b>**434 X .500 LONG**</b> SPORTSTER 1976-1978



**\*\*EASTERN MOTORCYCLE PARTS\*\***

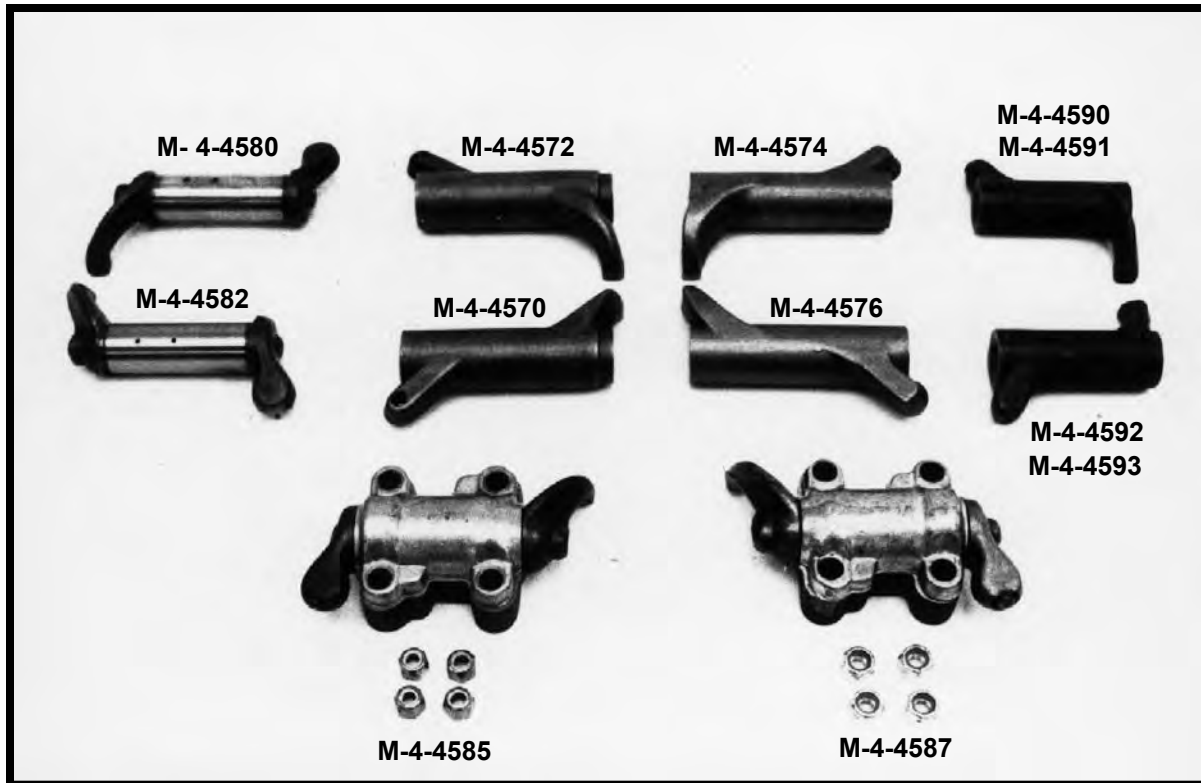


**\*5120 HILDA ROAD\* BLACKVILLE, S.C. 29817\* 803-284-3304\***

# **\*\*EASTERN MOTORCYCLE PARTS\*\***

## **\*\*ROCKER ARMS\*\***

### **\*\*BIG TWIN-SPORTSTER\*\***



**\*\*ALL EASTERNS ROCKER ARMS ARE IMPORTED\*\***  
**\*\*UNLESS NOTED OTHERWISE\*\***

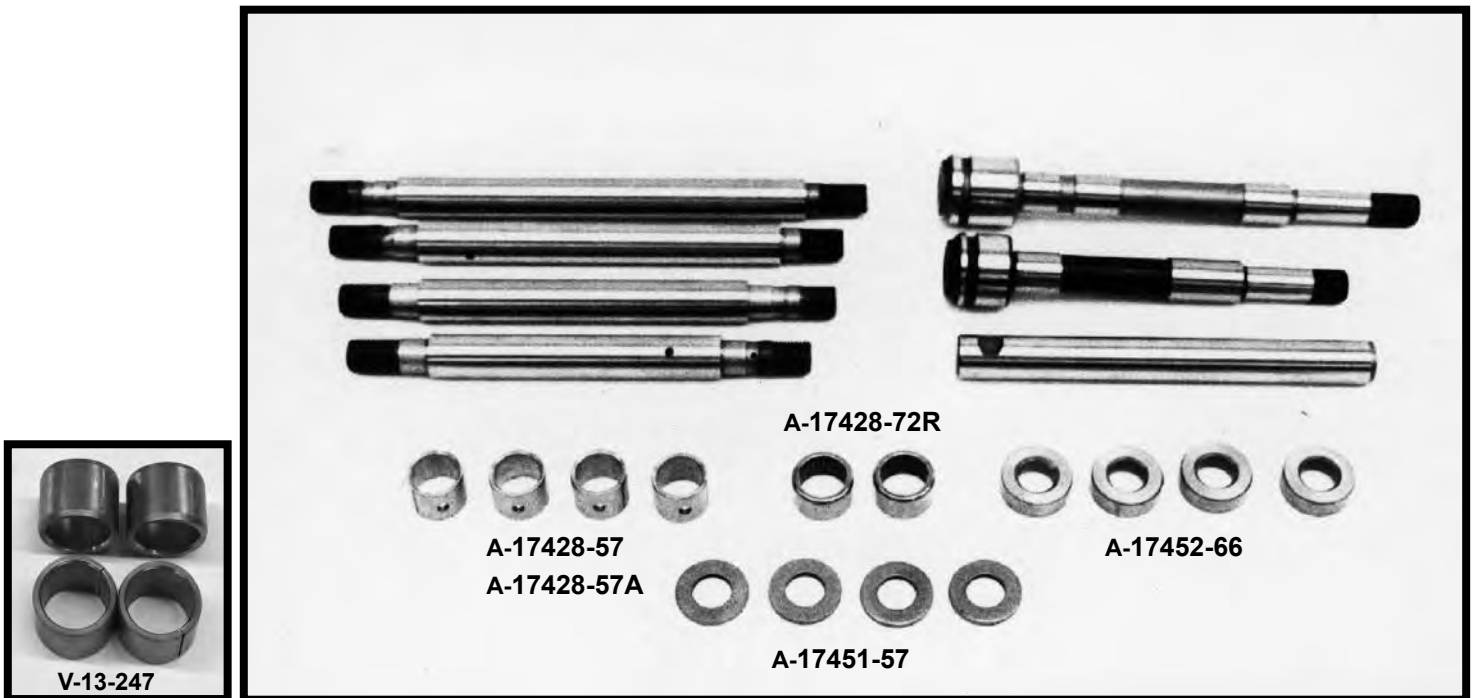
<u>EASTERN NUMBER</u>	<u>REPLACES OEM</u>		<u>DESCRIPTION</u>
M-4-4580	17360-48	each	ROCKER ARM (ONLY), REAR EXHAUST-FRONT INTAKE, BIG TWIN 1948-1965
M-4-4585	17360-48	each	ROCKER ARMS, <b>**WITH BEARING BLOCKS**</b> REAR-EX, FRONT-IN, BIG TWIN 1948-1965
	17611-48A		
M-4-4570	17360-66A	each	ROCKER ARM, REAR EXHAUST-FRONT INTAKE, BIG TWIN 1966-1984
M-4-4574	17360-83	each	ROCKER ARM, REAR EXHAUST-FRONT INTAKE, BIG TWIN 1984-PRES., SPORT. 1986-P.
M-4-4582	17375-48	each	ROCKER ARM (ONLY), FRONT EXHAUST-REAR INTAKE, BIG TWIN 1948-1965
M-4-4587	17375-48	each	ROCKER ARMS, <b>**WITH BEARING BLOCKS**</b> FRONT-EX, REAR-IN, BIG TWIN 1948-1965
	17611-48A		
M-4-4572	17375-66A	each	ROCKER ARM, FRONT EXHAUST-REAR INTAKE, BIG TWIN 1966-1984
M-4-4576	17375-83	each	ROCKER ARM, FRONT EXHAUST-REAR INTAKE, BIG TWIN 1984-PRES., SPORT. 1986-P.
M-4-4590	17394-57A	each	ROCKER ARM, FRONT EXHAUST, SPORTSTER 1957-1985
M-4-4591	17395-57A	each	ROCKER ARM, REAR EXHAUST, SPORTSTER 1957-1985
M-4-4592	17396-57A	each	ROCKER ARM, FRONT INTAKE, SPORTSTER 1957-1985
M-4-4593	17397-57A	each	ROCKER ARM, REAR INTAKE, SPORTSTER 1957-1985
41-0148		set-8	DOWEL PINS, ROCKER ARM BLOCKS, <b>** .1875 X .495 LONG**</b> BIG TWIN 1948-1965

# **\*\*EASTERN MOTORCYCLE PARTS\*\***

## **\*\*ROCKER ARM SHAFTS\*\***

## **\*\*BUSHINGS AND SPACERS\*\***

## **\*\*BIG TWIN-SPORTSTER\*\***



**\*\*EASTERN'S SHAFTS, BRONZE BUSHINGS, BEARINGS\*\*  
**\*\*AND SPACERS ARE MADE IN U.S.A.\*\*****

<u>EASTERN NUMBER</u>	<u>REPLACES OEM</u>	<u>DESCRIPTION</u>
A-6767		pk-10 ROCKER ARM SHIMS, **.007 THICK** BIG TWIN 1966-1984, SPORTSTER 1957-1985
A-6767A		pk-10 ROCKER ARM SHIMS, **.005 THICK** BIG TWIN 1966-1984, SPORTSTER 1957-1985
A-6767B		pk-10 ROCKER ARM SHIMS, **.015 THICK** BIG TWIN 1966-1984, SPORTSTER 1957-1985
A-17428-57		pk-4 ROCKER ARM BUSHINGS, <b>**660 SOLID BRONZE**</b> BIG TWIN 1966-P., SPORT. 1957-P.
A-17428-57A	17428-57	pk-4 ROCKER ARM BUSHINGS, <b>**SPLIT OEM STYLE**</b> BIG TWIN 1966-P., SPORT. 1957-P.
A-17428-72R	17428-72R	each ROCKER ARM BEARING, (NEEDLE TYPE) <b>**750 XR**</b> SPORTSTER 1972-PRESENT
V-13-247	* 17429-91	pk-4 ROCKER ARM BUSHINGS, <b>**SPLIT OEM STYLE**</b> BIG TWIN 1991-2018 , SP. 1991-2018
M-4-4534	17435-57B	each ROCKER ARM SHAFT, <b>**SHOVELHEAD**</b> SPORTSTER 1957-1985
A-17435-39	17435-39	each ROCKER ARM SHAFT, <b>**FRONT INTAKE**</b> (KNUCKLEHEAD) BIG TWIN 1939-1947
A-17438-39	17438-39	each ROCKER ARM SHAFT, <b>**REAR INTAKE**</b> (KNUCKLEHEAD) BIG TWIN 1939-1947
A-17441-39	17441-39	each ROCKER ARM SHAFT, <b>**FRONT EXHAUST**</b> (KNUCKLEHEAD) BIG TWIN 1939-1947
A-17444-39	17444-39	each ROCKER ARM SHAFT, <b>**REAR EXHAUST**</b> (KNUCKLEHEAD) BIG TWIN 1939-1947
A-17445-SET		set-4 ROCKER ARM SHAFT SET <b>**FRONT &amp; REAR, INTAKE &amp; EXHAUST**</b> BIG TWIN 1939-1947 <b>SET INCLUDES: (1) 17435-39, (1) 17438-39, (1) 17441-39, (1) 17444-39</b>
40-0170		set-4 ROCKER ARM SHAFTS ( <b>.005 OVERSIZE</b> ) BIG TWIN 1936-1947
40-0180		set-4 ROCKER ARM SHAFTS ( <b>.010 OVERSIZE</b> ) BIG TWIN 1936-1947
44-0500	17393-07	pk-10 SEALS, ROCKER BREATHER, ( <b>RUBBER</b> ) SPORTSTER 2007-PRESENT
A-17450-73	17450-73	pk-10 WASHERS, ROCKER ARM SHAFTS, BIG TWIN 1973-1981
A-17451-57	17451-57	pk-10 SPACERS, ROCKER ARM SHAFT, SPORTSTER 1957-1985
A-17452-66	17452-66	pk-4 SPACERS, ROCKER ARM SHAFT, BIG TWIN 1966-1984
M-4-4531	17611-83	each ROCKER ARM SHAFT, <b>**EVOLUTION**</b> BIG TWIN 1984-PRES., SPORTSTER 1986-PRES.
M-4-4532	17611-83	each ROCKER ARM SHAFT, <b>**EVOLUTION**</b> ( <b>.005 O/S</b> ) BIG TWIN 1984-PRES., SPORT. 1986-P.
M-4-4533	17611-66B	each ROCKER ARM SHAFT, <b>**SHOVELHEAD**</b> BIG TWIN 1966-1984
41-0148		set-8 DOWEL PINS, ROCKER ARM BLOCKS, <b>**1.875 X .495 LONG**</b> BIG TWIN 1948-1965

**\*5120 HILDA ROAD\* BLACKVILLE, S.C. 29817\* 803-284-3304\***

# **\*\*EASTERN MOTORCYCLE PARTS\*\***

## **\*\*TAPPETS\*\***

### **\*\*AND TAPPET ACCESSORIES\*\***

#### **\*\*BIG TWIN/SPORTSTER/FORTY-FIVE\*\***



**\*\*TAPPET ASSEMBLYS ARE MADE IN THE U.S.A. BY EASTERN\*\***  
**\*\*EXCEPT FOR THE 19-0320 SERIES\*\***

<u>EASTERN NUMBER</u>	<u>REPLACES OEM</u>	<u>DESCRIPTION</u>
A-17920-53A	17920-53A	each HYDRAULIC UNIT **FOR TAPPETS** BIG TWIN 1953-1984
A-18490-29	18490-29	each TAPPET ASSEMBLY, **.STD** (.730 O.D) SPORT. 1952-1953, FORTY-FIVE 1930-1973
A-18490-78		each TAPPET ASSEMBLY, **.005** (.735 O.D) SPORT. 1952-1953, FORTY-FIVE 1930-1973
A-18490-80		each TAPPET ASSEMBLY, **.010** (.740 O.D) SPORT. 1952-1953, FORTY-FIVE 1930-1973
A-18491-36	18491-36	each TAPPET ASSEMBLY, **.STD** (.730 O.D) BIG TWIN 1936-1947 **KNUCKLE-INTAKE**
A-18491-78		each TAPPET ASSEMBLY, **.005** (.735 O.D) BIG TWIN 1936-1947 **KNUCKLE-INTAKE**
A-18491-93		each TAPPET ASSEMBLY, **.010** (.740 O.D) BIG TWIN 1936-1947 **KNUCKLE-INTAKE**
A-18492-48	18492-48	each TAPPET ASSEMBLY, **.STD** (.730 O.D) BIG TWIN 1948-1957 **SOLID**
A-18492-70		each TAPPET ASSEMBLY, **.STD** (.730 O.D) BIG TWIN 1948-1984 **W/3 HOLES**
A-18492-71		each TAPPET ASSEMBLY, **.005** (.735 O.D) BIG TWIN 1948-1984 **W/3 HOLES**
A-18492-74		each TAPPET ASSEMBLY, **.010** (.740 O.D) BIG TWIN 1948-1984 **W/3 HOLES**
A-18492-78		each TAPPET ASSEMBLY, **.005** (.735 O.D) BIG TWIN 1948-1957 **SOLID**
A-18492-79		each TAPPET ASSEMBLY, **.010** (.740 O.D) BIG TWIN 1948-1957 **SOLID**
A-18492-80		each TAPPET ASSEMBLY, **.015** (.745 O.D) BIG TWIN 1948-1957 **SOLID**
A-18492-90		each TAPPET ASSEMBLY, **.020** (.750 O.D) BIG TWIN 1948-1957 **SOLID**
A-18492-91		each TAPPET ASSEMBLY, **.025** (.755 O.D) BIG TWIN 1948-1957 **SOLID**
A-18492-92		each TAPPET ASSEMBLY, **.030** (.760 O.D) BIG TWIN 1948-1957 **SOLID**
A-18492-93		each TAPPET ASSEMBLY, **.035** (.765 O.D) BIG TWIN 1948-1957 **SOLID**
A-18492-94		each TAPPET ASSEMBLY, **.040** (.770 O.D) BIG TWIN 1948-1957 **SOLID**

**\*\*CONTINUED ON NEXT PAGE\*\***

**\*5120 HILDA ROAD\* BLACKVILLE, S.C. 29817\* 803-234-3304\***

# **\*\*EASTERN MOTORCYCLE PARTS\*\***

## **\*\*TAPPETS\*\***

### **\*\*AND TAPPET ACCESSORIES\*\***

#### **\*\*BIG TWIN/SPORTSTER/FORTY-FIVE\*\***

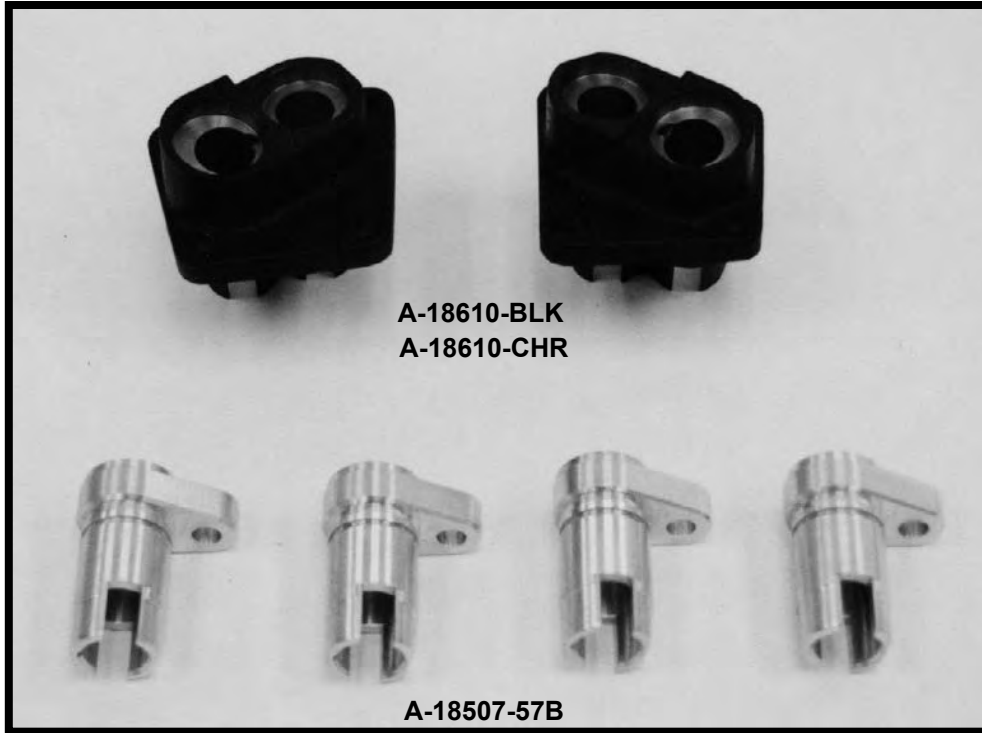
<b><u>EASTERN NUMBER</u></b>	<b><u>REPLACES OEM</u></b>	<b><u>DESCRIPTION</u></b>
A-18493-36	18493-36	each TAPPET ASSEMBLY, <b>**STD**</b> (.730 O.D) BIG TWIN 1936-1947 <b>**KNUCKLE-EXHAUST**</b>
A-18493-78		each TAPPET ASSEMBLY, <b>**005**</b> (.735 O.D) BIG TWIN 1936-1947 <b>**KNUCKLE-EXHAUST**</b>
A-18493-93		each TAPPET ASSEMBLY, <b>**010**</b> (.740 O.D) BIG TWIN 1936-1947 <b>**KNUCKLE-EXHAUST**</b>
A-18500-84	18500-84	pk-4 ADAPTER KIT, <b>**HYDRAULIC TO SOLIDS**</b> BIG TWIN 1984-E/1985
A-18507-85	18507-85	pk-4 ADAPTER KIT, <b>**HYDRAULIC TO SOLIDS**</b> BIG TWIN 1985-1990, SPORTSTER 1986-1990
A-18508-52B	18508-52B	each TAPPET ASSEMBLY, <b>**STD**</b> (.730 O.D) SPORTSTER 1957-1985 <b>**SOLID**</b>
A-18508-70		each TAPPET ASSEMBLY, <b>**STD**</b> (.730 O.D) SPORTSTER 1957-1985 <b>**W/2-HOLES**</b>
A-18508-71		each TAPPET ASSEMBLY, <b>**005**</b> (.735 O.D) SPORTSTER 1957-1985 <b>**W/2 HOLES**</b>
A-18508-72		each TAPPET ASSEMBLY, <b>**010**</b> (.740 O.D) SPORTSTER 1957-1985 <b>**W/2 HOLES**</b>
A-18508-78		each TAPPET ASSEMBLY, <b>**005**</b> (.735 O.D) SPORTSTER 1957-1985 <b>**SOLID**</b>
A-18508-79		each TAPPET ASSEMBLY, <b>**010**</b> (.740 O.D) SPORTSTER 1957-1985 <b>**SOLID**</b>
A-18508-80		each TAPPET ASSEMBLY, <b>**015**</b> (.745 O.D) SPORTSTER 1957-1985 <b>**SOLID**</b>
A-18508-90		each TAPPET ASSEMBLY, <b>**020**</b> (.750 O.D) SPORTSTER 1957-1985 <b>**SOLID**</b>
A-18508-91		each TAPPET ASSEMBLY, <b>**025**</b> (.755 O.D) SPORTSTER 1957-1985 <b>**SOLID**</b>
A-18508-92		each TAPPET ASSEMBLY, <b>**030**</b> (.760 O.D) SPORTSTER 1957-1985 <b>**SOLID**</b>
A-18508-93		each TAPPET ASSEMBLY, <b>**035**</b> (.765 O.D) SPORTSTER 1957-1985 <b>**SOLID**</b>
A-18508-94		each TAPPET ASSEMBLY, <b>**040**</b> (.770 O.D) SPORTSTER 1957-1985 <b>**SOLID**</b>
A-18522-53A	18522-53A	each TAPPET ASSEMBLY, <b>**STD**</b> (.730 O.D) <b>**W/OUT HYDRAULIC UNIT**</b> BIG TWIN 1953-1984
A-18522-78		each TAPPET ASSEMBLY, <b>**005**</b> (.735 O.D) <b>**W/OUT HYDRAULIC UNIT**</b> BIG TWIN 1953-1984
A-18522-79		each TAPPET ASSEMBLY, <b>**010**</b> (.740 O.D) <b>**W/OUT HYDRAULIC UNIT**</b> BIG TWIN 1953-1984
A-18522-80		each TAPPET ASSEMBLY, <b>**015**</b> (.745 O.D) <b>**W/OUT HYDRAULIC UNIT**</b> BIG TWIN 1953-1984
A-18522-90		each TAPPET ASSEMBLY, <b>**020**</b> (.750 O.D) <b>**W/OUT HYDRAULIC UNIT**</b> BIG TWIN 1953-1984
A-18522-91		each TAPPET ASSEMBLY, <b>**025**</b> (.755 O.D) <b>**W/OUT HYDRAULIC UNIT**</b> BIG TWIN 1953-1984
A-18522-92		each TAPPET ASSEMBLY, <b>**030**</b> (.760 O.D) <b>**W/OUT HYDRAULIC UNIT**</b> BIG TWIN 1953-1984
A-18522-93		each TAPPET ASSEMBLY, <b>**035**</b> (.765 O.D) <b>**W/OUT HYDRAULIC UNIT**</b> BIG TWIN 1953-1984
A-18522-94		each TAPPET ASSEMBLY, <b>**040**</b> (.770 O.D) <b>**W/OUT HYDRAULIC UNIT**</b> BIG TWIN 1953-1984
19-0320	18522-53A	each TAPPET ASSEMBLY, <b>**STD**</b> (.730 O.D) <b>**WITH HYDRAULIC UNIT**</b> BIG TWIN 1953-1984
19-0230	18523-86B	each TAPPET ASSEMBLY <b>**STD**</b> ( <b><u>WITH HYDRAULIC UNIT</u></b> ) BIG TWIN 1984-1999
19-0240	18526-89A	each TAPPET ASSEMBLY <b>**STD**</b> ( <b><u>WITH HYDRAULIC UNIT</u></b> ) SPORTSTER 1991-1998
A-18523-86		each TAPPET ASSEMBLY, <b>**STD**</b> ( <b><u>SOLID STYLE</u></b> ) BIG TWIN 1984-1999 SPORTSTER 1986-1990
A-18523-88		each TAPPET ASSEMBLY, <b>**005**</b> ( <b><u>SOLID STYLE</u></b> ) BIG TWIN 1984-1999 SPORTSTER 1986-1990
A-18523-91		each TAPPET ASSEMBLY, <b>**010**</b> ( <b><u>SOLID STYLE</u></b> ) BIG TWIN 1984-1999 SPORTSTER 1986-1990
A-18534-29A	18534-29A	set-4 TAPPET ROLLERS, <b>**U.S.A.**</b> BIG TWIN 1929-1984, SPORTSTER 1952-1985
A-18534-29B		set-4 TAPPET ROLLERS, <b>**IMPORTED**</b> BIG TWIN 1929-1984, SPORTSTER 1952-1985
A-18534-83		set-4 TAPPET ROLLERS, <b>**IMPORTED**</b> (EVOLUTION) BIG TWIN 1984-1999, SPORT. 1986-1990
19-0250	18538-99C	each TAPPETS <b>**STD**</b> ( <b><u>WITH HYDRAULIC UNIT</u></b> ) BIG TWIN 1999-PRESENT
A-18534-87	18545-29	pk-10 TAPPET ROLLER PINS, BIG TWIN 1930-PRESENT, SPORTSTER 1952-PRESENT
A-18554-57	18554-57	pk-4 TAPPET SCREWS, SPORTSTER 1954-1985
A-18555-36	18555-36	pk-4 TAPPET SCREWS ONLY, BIG TWIN 1936-1957
A-18556-40	18556-40	pk-4 TAPPET SCREWS ONLY, SPORT. 1952-1953, FORTY-FIVE 1940-1973 <b>**FLATHEADS**</b>
A-18556-57	18556-57	pk-4 TAPPET SCREWS ONLY, BIG TWIN 1957-1984
A-18570-38	18570-38	pk-10 TAPPET NUTS, BIG TWIN 1936-1984, SPORTSTER 1954-1985 <b>**OEM STYLE**</b>
A-18570-78		pk-10 TAPPET NUTS, BIG TWIN 1936-1984, SPORTSTER 1952-1985 <b>**FLAT STYLE**</b>
V-13-220		pk-4 PUSH ROD ADJUSTING SCREWS, FOR CONVERSION, HYD. TO MECH., <b>**BLACK OX**</b> BIG TWIN 1966-1984

# **\*\*EASTERN MOTORCYCLE PARTS\*\***

## **\*\*TAPPET BLOCKS\*\***

### **\*\*BIG TWIN-SPORTSTER\*\***

#### **\*\*FORTY-FIVE\*\***



**\*\*SPORTSTER TAPPET GUIDES ARE AVAILABLE IN\*\*  
**\*\*ANODIZED BLACK, BLUE, GOLD, RED, OR POLISHED\*\*****

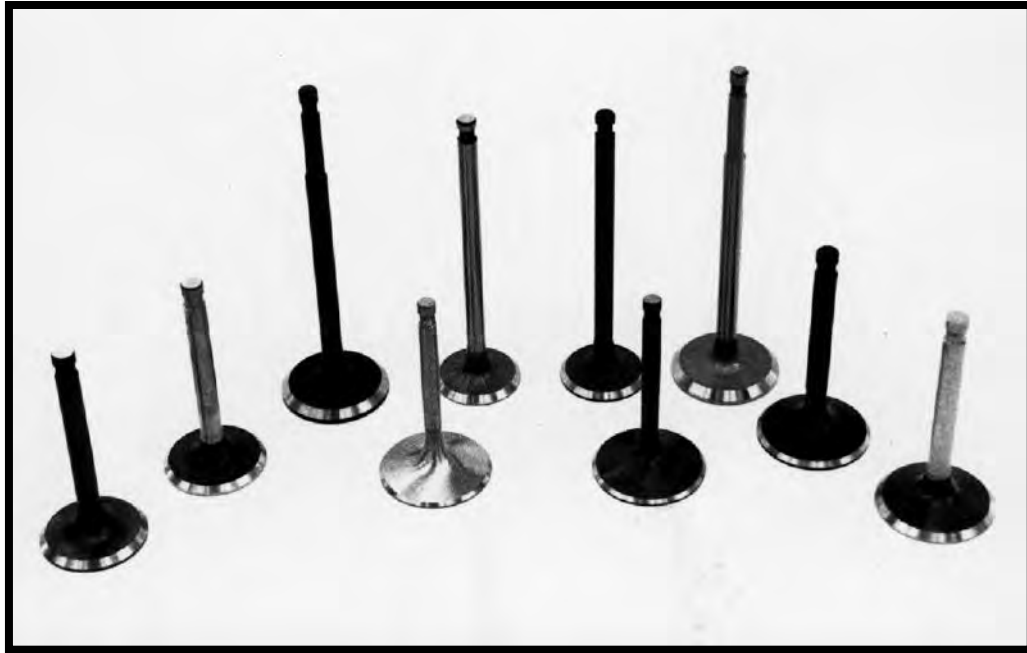
<u>EASTERN NUMBER</u>	<u>REPLACES OEM</u>	<u>DESCRIPTION</u>
A-18609-CHR	18540-83 pair 18542-83	TAPPET GUIDES, (FRONT & REAR) <b>**CHROME**</b> (V-2 EVOLUTION) BIG TWIN 1984-1999
A-18607-57B	18607-57B each	TAPPET GUIDE, <b>**BILLET ALUMINUM**</b> (POLISHED) SPORTSTER 1957-1985
A-18607-BLK	set-4	TAPPET GUIDE, <b>**BILLET ALUMINUM**</b> (ANODIZED BLACK) SPORTSTER 1957-1985
A-18607-BLUE	set-4	TAPPET GUIDE, <b>**BILLET ALUMINUM**</b> (ANODIZED BLUE) SPORTSTER 1957-1985
A-18607-GOLD	set-4	TAPPET GUIDE, <b>**BILLET ALUMINUM**</b> (ANODIZED GOLD) SPORTSTER 1957-1985
A-18607-RED	set-4	TAPPET GUIDE, <b>**BILLET ALUMINUM**</b> (ANODIZED RED) SPORTSTER 1957-1985
A-18607-SET	set-4	TAPPET GUIDES, <b>**BILLET ALUMINUM**</b> (POLISHED) SPORTSTER 1957-1985
A-18610-BLK	pair	TAPPET GUIDES (FRONT & REAR) <b>**BLACK**</b> BIG TWIN 1966-1984
A-18610-CHR	pair	TAPPET GUIDES (FRONT & REAR) <b>**CHROME**</b> BIG TWIN 1966-1984

# **\*\*EASTERN MOTORCYCLE PARTS\*\***

## **\*\*VALVES\*\***

### **\*\*PRE-1939\*\***

#### **\*\*VL, JD, FD, DCA, DCB\*\***



<b>E-658-N</b>	<b>116-17</b>	<b>each</b>	VALVE <b>**INTAKE**</b> (NITRIDE FINISH) STD MOTORS 1917-1929, 61" FD & JD 1921-1924
<b>E-659-N</b>	<b>117-23</b>	<b>each</b>	VALVE <b>**INTAKE**</b> (NITRIDE FINISH) DCA & DCB 1923-1924, 74" MOTORS 1925-1929
<b>E-639-N</b>	<b>163-30</b>	<b>each</b>	VALVE <b>**INTAKE**</b> (NITRIDE FINISH) (VL MODEL) BIG TWIN 1930-1936
<b>E-649-N</b>	<b>165-30</b>	<b>each</b>	VALVE <b>**EXHAUST**</b> (NITRIDE FINISH) (VL MODEL) BIG TWIN 1930-1936
<b>V-13-232</b>	<b>180-11</b>	<b>each</b>	VALVE <b>**EXHAUST**</b> (NITRIDE FINISH) (JD MODEL) TWINS 1910-1914, SINGLES 1910-1914
<b>E-655-N</b>	<b>180-15</b>	<b>each</b>	VALVE <b>**EXHAUST**</b> (NITRIDE FINISH) STD MOTORS 1917-1929, 61" FD & JD 1921-1924
<b>E-656-N</b>	<b>181-21</b>	<b>each</b>	VALVE <b>**EXHAUST**</b> (NITRIDE FINISH) 74" MOTORS 1921-1923, 61" MOTORS 1924-1929

**\*\*CONTINUED NEXT PAGE\*\***

**\*5120 HILDA ROAD\* BLACKVILLE, S.C. 29817\* 803-284-3304\***

**\*Pg 143\***

# **\*\*EASTERN MOTORCYCLE PARTS\*\***

## **\*\*VALVES\*\***

### **\*\*BIG TWIN\*\***

#### **\*\*EVOLUTION, KNUCKLEHEAD\*\***

#### **\*\*FLATHEAD AND OVERSIZES\*\***



**\*\*ALL VALVES ARE SOLD EACH\*\***

**EASTERN  
NUMBER**

**REPLACES  
OEM**

**DESCRIPTION**

**\*\*PLAIN FINISH\*\***

<b>E-600</b>	<b>18071-36</b>	VALVE, INTAKE, <b>**KNUCKLEHEAD**</b> BIG TWIN 1936-1947
<b>E-601</b>	<b>18071-48</b>	VALVE, INTAKE, <b>**PANHEAD** (1/8" OVERSIZE)</b> BIG TWIN 1948-1965
<b>E-602</b>	<b>18071-48</b>	VALVE, INTAKE, <b>**PANHEAD**</b> BIG TWIN 1948-1965
<b>E-610</b>	<b>18081-36</b>	VALVE, EXHAUST, <b>**KNUCKLEHEAD**</b> BIG TWIN 1936-1947
<b>E-619-1</b>	<b>18082-37-1</b>	VALVE, EXHAUST, <b>**FLATHEAD**</b> (U.L. SIDE VALVE), BIG TWIN 1937-1948
<b>E-612</b>	<b>18082-57A</b>	VALVE, EXHAUST, <b>**PANHEAD &amp; SHOVELHEAD**</b> BIG TWIN 1948-1984
<b>E-609-1</b>		VALVE, INTAKE, <b>**FLATHEAD**</b> (U.L. SIDE VALVE), <b>(1/8" OVERSIZE)</b> B/T 1937-1948
<b>E-611</b>		VALVE, EXHAUST, <b>**PAN &amp; SHOVELHEAD** (1/8" OVERSIZE)</b> BIG TWIN 1948-1984
<b>E-600-1</b>		VALVE, INTAKE, <b>**KNUCKLEHEAD** (1/8" OVERSIZE)</b> BIG TWIN 1936-1947
<b>E-610-1</b>		VALVE, EXHAUST, <b>**KNUCKLEHEAD** (1/8" OVERSIZE)</b> BIG TWIN 1936-1947

**\*\*CONTINUED NEXT PAGE\*\***



# **\*\*EASTERN MOTORCYCLE PARTS\*\***

## **\*\*VALVES\*\***

### **\*\*BIG TWIN\*\***

#### **\*\*EVOLUTION, KNUCKLEHEAD\*\***

#### **\*\*FLATHEAD AND OVERSIZES\*\***

<b><u>EASTERN NUMBER</u></b>	<b><u>REPLACES OEM</u></b>	<b><u>DESCRIPTION</u></b>
<b>**HARD CHROME FINISH**</b>		
E-602-C	18071-48	VALVE, INTAKE, **PANHEAD** BIG TWIN 1948-1965
E-603-1-C	18074-66	VALVE, INTAKE, **SHOVELHEAD** (2" OVERSIZE) BIG TWIN 1966-1984
E-500-C	18074-83	VALVE, INTAKE, **EVOLUTION 1340 C/C** (STD LENGTH), BIG TWIN 1984-PRESENT
E-603-C	18078-80	VALVE, INTAKE, **SHOVELHEAD** BIG TWIN 1966-1984
E-510-C	18082-83	VALVE, EXHAUST, **EVOLUTION 1340 C/C** (STD LENGTH), BIG TWIN 1984-1999
E-612-C	18089-80	VALVE, EXHAUST, **PAN HEAD & SHOVELHEAD** BIG TWIN 1948-1984
<b>**NITRIDE FINISH**</b>		
E-639-N	163-30	VALVE, INTAKE, **FLATHEAD** (V.L. SIDE VALVE), BIG TWIN 1930-1936
E-649-N	165-30	VALVE, EXHAUST, **FLATHEAD** (V.L. SIDE VALVE), BIG TWIN 1930-1936
E-609-N	18072-37	VALVE, INTAKE, **FLATHEAD** (U.L. SIDE VALVE), BIG TWIN 1937-1948
E-500-N	18074-83A	VALVE, INTAKE, **EVOLUTION 1340 C/C** (STD LENGTH), BIG TWIN 1984-PRESENT
E-603-N	18075-80	VALVE, INTAKE, **SHOVELHEAD** BIG TWIN 1966-1984
E-503-N	18076-83	VALVE, INTAKE, **EVOLUTION 1340 C/C** (.030 SHORTER) BIG TWIN 1984-1999
E-619-N	18082-37	VALVE, EXHAUST, **FLATHEAD** (U.L. SIDE VALVE), BIG TWIN 1937-1948
E-510-N	18082-83	VALVE, EXHAUST, **EVOLUTION 1340 C/C** (STD LENGTH), BIG TWIN 1984-1999
E-612-N	18086-80	VALVE, EXHAUST, **PANHEAD & SHOVELHEAD** BIG TWIN 1948-1984
E-612-1-N	18082-57-1	VALVE, EXHAUST, **PANHEAD & SHOVELHEAD** (1/8" O/S) BIG TWIN 1948-1984
E-511-N	18087-83	VALVE, EXHAUST, **EVOLUTION 1340 C/C** (.030 SHORTER) BIG TWIN 1984-1999
E-600-1-N		VALVE, INTAKE, **KNUCKLEHEAD** (1/8" OVERSIZE) BIG TWIN 1936-1947
E-600-N		VALVE, INTAKE, **KNUCKLEHEAD** BIG TWIN 1936-1947
E-601-N		VALVE, INTAKE, **PANHEAD** (1/8" OVERSIZE) BIG TWIN 1948-1965
E-602-N		VALVE, INTAKE, **PANHEAD** BIG TWIN 1948-1965
E-603-1-N		VALVE, INTAKE, **SHOVELHEAD** (2" OVERSIZE) BIG TWIN 1966-1984
E-610-1-N		VALVE, EXHAUST, **KNUCKLEHEAD** (1/8" OVERSIZE) BIG TWIN 1936-1947
E-610-N		VALVE, EXHAUST, **KNUCKLEHEAD** BIG TWIN 1936-1947
E-524-N	18085-99	VALVE, EXHAUST, **2-CAM** (1450 C/C) BIG TWIN 2000-PRESENT
<b>**STAINLESS STEEL**</b>		
E-602-SS	18071-48	VALVE, INTAKE, **PANHEAD** BIG TWIN 1948-1965
E-601-SS		VALVE, INTAKE, **PANHEAD** (1/8" OVERSIZE) BIG TWIN 1948-1965
E-603-SS	18074-66	VALVE, INTAKE, **SHOVELHEAD** BIG TWIN 1966-1984
E-603-1-SS	18074-66	VALVE, INTAKE, **SHOVELHEAD** (2" OVERSIZE) BIG TWIN 1966-1984
E-500-SS	18074-83A	VALVE, INTAKE, **EVOLUTION 1340 C/C** (STD LENGTH), BIG TWIN 1984-PRESENT
E-612-SS	18082-57A	VALVE, EXHAUST, **PANHEAD & SHOVELHEAD** BIG TWIN 1948-1984
E-501-SS	18074-83A	VALVE, INTAKE, **EVOLUTION** (1/8" OVERSIZE) (STD LENGTH), B/T 1984-PRESENT

**\*\*CONTINUED NEXT PAGE\*\***

**\*5120 HILDA ROAD\* BLACKVILLE, S.C. 29817\* 803-284-3304\***

**\*Pg 145\***

# **\*\*EASTERN MOTORCYCLE PARTS\*\***

## **\*\*VALVES\*\***

### **\*\*SPORTSTER\*\***

#### **\*\*AND\*\***

### **\*\*FORTY-FIVE\*\***

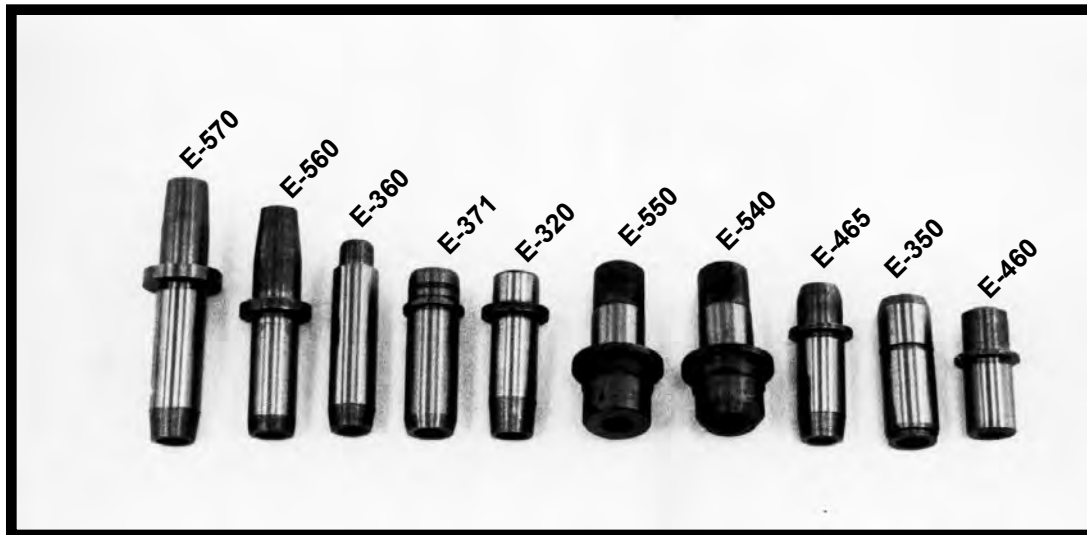
<b><u>EASTERN NUMBER</u></b>	<b><u>REPLACES OEM</u></b>	<b><u>DESCRIPTION</u></b>
<b>**PLAIN FINISH**</b>		
E-606	18070-32	VALVE, INTAKE, **FLATHEAD** FORTY-FIVE 1932-1973
E-608	18070-54	VALVE, INTAKE, **K-MODEL** SPORTSTER 1954-1956
E-604	18070-58	VALVE, INTAKE, **900 C/C** SPORTSTER 1957-1969
E-605	18070-70	VALVE, INTAKE, **1000 C/C** SPORTSTER 1970-1985
E-614	18080-32	VALVE, EXHAUST, **FLATHEAD** FORTY-FIVE 1932-1973
E-618	18080-52	VALVE, EXHAUST, **K-MODEL** SPORTSTER 1954-1956
E-613	18080-58A	VALVE, EXHAUST, **900 & 1000 C/C** SPORTSTER 1957-1985
E-615		VALVE, EXHAUST, **900 & 1000 C/C** (1/8" OVERSIZE) SPORTSTER 1957-1985
<b>**HARD CHROME FINISH**</b>		
E-605-C	18028-80	VALVE, INTAKE, **1000 C/C** SPORTSTER 1970-1985
E-613-C	18036-80	VALVE, EXHAUST, **900 & 1000 C/C** SPORTSTER 1957-1985
E-615-C		VALVE, EXHAUST, **900 & 1000 C/C** (1/8" OVERSIZE) SPORTSTER 1957-1985
<b>**NITRIDE FINISH**</b>		
A-163-29	163-29	VALVE, INTAKE, **1-5/8" HEAD** FORTY-FIVE 1929-1931
A-165-29	165-29	VALVE, EXHAUST, **1-5/8" HEAD** FORTY-FIVE 1929-1931
V-13-125	18039-93	VALVE, **EXHAUST** (NITRIDE) **883 C/C HIGHER QUALITY VALVE** SPORT. 1986-UP
E-506-N	18023-87	VALVE, INTAKE, **EVOLUTION 1200 C/C** (STD LENGTH), SPORTSTER 1988-2003
E-516-N	18024-87	VALVE, EXHAUST, **EVOLUTION 1200 C/C** (STD LENGTH), SPORTSTER 1988-2003
E-605-N	18027-80	VALVE, INTAKE, **1000 C/C** SPORTSTER 1970-1985
E-512-N	18030-86	VALVE, EXHAUST, **EVOLUTION 883 C/C** (STD LENGTH), SPORTSTER 1986-2003
E-502-N	18031-86	VALVE, INTAKE, **EVOLUTION 883 C/C** (STD LENGTH), SPORTSTER 1986-2003
E-613-N	18033-80	VALVE, EXHAUST, **900 & 1000 C/C** SPORTSTER 1957-1985
E-606-N	18070-32	VALVE, INTAKE, **FLATHEAD** FORTY-FIVE 1932-1973
E-606-1-N	18070-32	VALVE, INTAKE, **FLATHEAD** FORTY-FIVE 1932-1973 (1/8" OVERSIZE)
E-604-N	18070-58	VALVE, INTAKE, **900 C/C** SPORTSTER 1957-1969
E-608-N	18074-54	VALVE, INTAKE, **K-MODEL** SPORTSTER 1954-1956
E-614-N	18080-32	VALVE, EXHAUST, **FLATHEAD** FORTY-FIVE 1932-1973
E-614-1-N	18080-32	VALVE, EXHAUST, **FLATHEAD** FORTY-FIVE 1932-1973 (1/8" OVERSIZE)
E-618-N	18080-52	VALVE, EXHAUST, **K-MODEL** SPORTSTER 1954-1956
E-662-N	18070-59R	VALVE, INTAKE, **R-VALVE** (KR,KRTT) K-MODEL 1952 & UP
E-664-N	18080-59R	VALVE, EXHAUST, **R-VALVE** (KR,KRTT) K-MODEL 1952 & UP
E-615-N		VALVE, EXHAUST, **900 & 1000 C/C** (1/8" OVERSIZE) SPORTSTER 1957-1985
<b>**STAINLESS STEEL**</b>		
E-607-SS	18069-65R	VALVE, INTAKE, **1000 C/C** SPORTSTER 1957-1985
E-604-SS	18070-58	VALVE, INTAKE, **900 C/C** SPORTSTER 1957-1969
E-605-SS	18070-70	VALVE, INTAKE, **1000 C/C** SPORTSTER 1970-1985
E-613-SS	18080-58A	VALVE, EXHAUST, **900 & 1000 C/C** SPORTSTER 1957-1985
E-616-SS	18080-60R	VALVE, EXHAUST, **1000 C/C** SPORTSTER 1957-1985
E-617-SS	18080-70R	VALVE, EXHAUST, **1000 C/C** (1-3/4") SPORTSTER 1957-1985
E-615-SS		VALVE, EXHAUST, (1/8" OVERSIZE) SPORTSTER 1957-1985

# **\*\*EASTERN MOTORCYCLE PARTS\*\***

## **\*\*VALVE GUIDES\*\***

### **\*\*CAST IRON & BRONZE\*\***

### **\*\*BIG TWIN-SPORTSTER\*\***



**\*\*ALL VALVE GUIDES ARE SOLD EACH UNLESS NOTED\*\***

<u>EASTERN NUMBER</u>	<u>REPLACES OEM</u>	<u>DESCRIPTION</u>
V-13-120	184-25 pair	VALVE GUIDE, STD, (.438 OD) <b>**EXHAUST**</b> (BRONZE) TWINS 1924-1929 <b>**EASTERNS**</b>
<b>**WITH SHOULDER / I.D. NOT FINISHED**</b>		
E-320	18138-79A	VALVE GUIDE, STD, (.566 OD) INTAKE & EXHAUST, BIG TWIN 1948-1979
E-321		VALVE GUIDE, .001, (.567 OD) INTAKE & EXHAUST, BIG TWIN 1948-1979
E-322	18143-79A	VALVE GUIDE, .002, (.568 OD) INTAKE & EXHAUST, BIG TWIN 1948-1979
E-324	18141-79A	VALVE GUIDE, .004, (.570 OD) INTAKE & EXHAUST, BIG TWIN 1948-1979
E-326	18140-79A	VALVE GUIDE, .006, (.572 OD) INTAKE & EXHAUST, BIG TWIN 1948-1979
E-328	18139-79A	VALVE GUIDE, .008, (.574 OD) INTAKE & EXHAUST, BIG TWIN 1948-1979
E-330		VALVE GUIDE, .010, (.576 OD) INTAKE & EXHAUST, BIG TWIN 1948-1979
E-332		VALVE GUIDE, .012, (.578 OD) INTAKE & EXHAUST, BIG TWIN 1948-1979
E-335		VALVE GUIDE, .015, (.581 OD) INTAKE & EXHAUST, BIG TWIN 1948-1979
E-339		VALVE GUIDE, .020, (.586 OD) INTAKE & EXHAUST, BIG TWIN 1948-1979
<b>**WITH SHOULDER**</b>		
E-430	18165-48	VALVE GUIDE, STD, (.566 OD) INTAKE, <b>**I.D. FINISHED**</b> BIG TWIN 1948-1979
E-431	18165-49	VALVE GUIDE, .002, (.568 OD) INTAKE, <b>**I.D. FINISHED**</b> BIG TWIN 1948-1979
E-432	18167-49	VALVE GUIDE, .004, (.570 OD) INTAKE, <b>**I.D. FINISHED**</b> BIG TWIN 1948-1979
E-433	18168-49	VALVE GUIDE, .006, (.572 OD) INTAKE, <b>**I.D. FINISHED**</b> BIG TWIN 1948-1979
E-434	18170-49	VALVE GUIDE, .008, (.574 OD) INTAKE, <b>**I.D. FINISHED**</b> BIG TWIN 1948-1979
E-435		VALVE GUIDE, .010, (.576 OD) INTAKE, <b>**I.D. FINISHED**</b> BIG TWIN 1948-1979
E-440	18181-48	VALVE GUIDE, STD, (.566 OD) EXHAUST <b>**I.D. FINISHED**</b> BIG TWIN 1948-1979
E-441	18183-48	VALVE GUIDE, .002, (.568 OD) EXHAUST <b>**I.D. FINISHED**</b> BIG TWIN 1948-1979
E-442	18187-51	VALVE GUIDE, .004, (.570 OD) EXHAUST <b>**I.D. FINISHED**</b> BIG TWIN 1948-1979
E-443	18193-51	VALVE GUIDE, .006, (.572 OD) EXHAUST <b>**I.D. FINISHED**</b> BIG TWIN 1948-1979
E-444	18194-51	VALVE GUIDE, .008, (.574 OD) EXHAUST <b>**I.D. FINISHED**</b> BIG TWIN 1948-1979
E-445		VALVE GUIDE, .010, (.576 OD) EXHAUST <b>**I.D. FINISHED**</b> BIG TWIN 1948-1979

**\*\*CONTINUED NEXT PAGE\*\***

**\*5120 HILDA ROAD\* BLACKVILLE, S.C. 29817\* 803-284-3304\***

# **\*\*EASTERN MOTORCYCLE PARTS\*\***

## **\*\*VALVE GUIDES\*\***

### **\*\*CAST IRON & BRONZE\*\***

#### **\*\*BIG TWIN-SPORTSTER\*\***

<u>EASTERN NUMBER</u>	<u>REPLACES OEM</u>	<u>DESCRIPTION</u>
<b>**WITHOUT SHOULDER**</b>		
E-350	18110-79	VALVE GUIDE, <b>STD</b> , (.626 OD) INT. & EX., BIG TWIN 1980-1981 <b>**I.D. FINISHED**</b>
E-351	18112-79	VALVE GUIDE, <b>.002</b> , (.628 OD) INT. & EX., BIG TWIN 1980-1981 <b>**I.D. FINISHED**</b>
E-352	18114-79	VALVE GUIDE, <b>.004</b> , (.630 OD) INT. & EX., BIG TWIN 1980-1981 <b>**I.D. FINISHED**</b>
E-353	18115-79	VALVE GUIDE, <b>.006</b> , (.632 OD) INT. & EX., BIG TWIN 1980-1981 <b>**I.D. FINISHED**</b>
E-354	18116-79	VALVE GUIDE, <b>.008</b> , (.634 OD) INT. & EX., BIG TWIN 1980-1981 <b>**I.D. FINISHED**</b>
<b>**WITH SHOULDER**</b>		
E-371	18109-81A	VALVE GUIDE, <b>STD</b> , (.625 OD) INT. & EX., BIG TWIN 1980-1984 <b>**I.D. NOT FINISHED**</b>
E-372	18108-81A	VALVE GUIDE, <b>.002</b> , (.627 OD) INT. & EX., BIG TWIN 1980-1984 <b>**I.D. NOT FINISHED**</b>
E-373	18107-81A	VALVE GUIDE, <b>.003</b> , (.628 OD) INT. & EX., BIG TWIN 1980-1984 <b>**I.D. NOT FINISHED**</b>
E-374	18106-81A	VALVE GUIDE, <b>.004</b> , (.629 OD) INT. & EX., BIG TWIN 1980-1984 <b>**I.D. NOT FINISHED**</b>
E-376	18104-81A	VALVE GUIDE, <b>.006</b> , (.631 OD) INT. & EX., BIG TWIN 1980-1984 <b>**I.D. NOT FINISHED**</b>
E-378	18103-81A	VALVE GUIDE, <b>.008</b> , (.633 OD) INT. & EX., BIG TWIN 1980-1984 <b>**I.D. NOT FINISHED**</b>
E-379	18102-81A	VALVE GUIDE, <b>.010</b> , (.635 OD) INT. & EX., BIG TWIN 1980-1984 <b>**I.D. NOT FINISHED**</b>
E-380		VALVE GUIDE, <b>.012</b> , (.637 OD) INT. & EX., BIG TWIN 1980-1984 <b>**I.D. NOT FINISHED**</b>
E-382		VALVE GUIDE, <b>.015</b> , (.640 OD) INT. & EX., BIG TWIN 1980-1984 <b>**I.D. NOT FINISHED**</b>
<b>**I.D. FINISHED**</b>		
29-0601	18109-81A	VALVE GUIDE, <b>.001</b> , (.626 OD) INTAKE & EXHAUST, <b>*BRONZE*</b> BIG TWIN 1980-1984
29-0602	18108-81A	VALVE GUIDE, <b>.002</b> , (.627 OD) INTAKE & EXHAUST, <b>*BRONZE*</b> BIG TWIN 1980-1984
29-0604	18106-81A	VALVE GUIDE, <b>.004</b> , (.629 OD) INTAKE & EXHAUST, <b>*BRONZE*</b> BIG TWIN 1980-1984
29-0606	18104-81A	VALVE GUIDE, <b>.006</b> , (.631 OD) INTAKE & EXHAUST, <b>*BRONZE*</b> BIG TWIN 1980-1984
29-0608	18103-81A	VALVE GUIDE, <b>.008</b> , (.633 OD) INTAKE & EXHAUST, <b>*BRONZE*</b> BIG TWIN 1980-1984
29-0610	18102-81A	VALVE GUIDE, <b>.010</b> , (.635 OD) INTAKE & EXHAUST, <b>*BRONZE*</b> BIG TWIN 1980-1984
29-0612		VALVE GUIDE, <b>.012</b> , (.637 OD) INTAKE & EXHAUST, <b>*BRONZE*</b> BIG TWIN 1980-1984
29-0615		VALVE GUIDE, <b>.015</b> , (.640 OD) INTAKE & EXHAUST, <b>*BRONZE*</b> BIG TWIN 1980-1984
<b>**WITHOUT SHOULDER / I.D. NOT FINISHED**</b>		
E-360	18112-92	VALVE GUIDE, <b>STD</b> , (.562 OD) INT. & EX., B/T 1984-2004 SP. 1986-2003
E-361	18130-83C	VALVE GUIDE, <b>.001</b> , (.563 OD) INT. & EX., B/T 1984-2004 SP. 1986-2003
E-362	18133-83A	VALVE GUIDE, <b>.002</b> , (.564 OD) INT. & EX., B/T 1984-2004 SP. 1986-2003
E-363	18131-83C	VALVE GUIDE, <b>.003</b> , (.565 OD) INT. & EX., B/T 1984-2004 SP. 1986-2003
E-364		VALVE GUIDE, <b>.004</b> , (.566 OD) INT. & EX., B/T 1984-2004 SP. 1986-2003
E-365	18132-83B	VALVE GUIDE, <b>.005</b> , (.567 OD) INT. & EX., B/T 1984-2004 SP. 1986-2003
<b>**I.D. FINISHED**</b>		
29-0620	18112-92	VALVE GUIDE <b>STD</b> , (.626 OD) INT. & EX., <b>*BRONZE*</b> B/T 1984-2004 SP. 1986-2003
29-0622	18133-83A	VALVE GUIDE, <b>.002</b> , (.628 OD) INT. & EX., <b>*BRONZE*</b> B/T 1984-2004 SP. 1986-2003
29-0624		VALVE GUIDE, <b>.004</b> , (.630 OD) INT. & EX., <b>*BRONZE*</b> B/T 1984-2004 SP. 1986-2003
29-0626		VALVE GUIDE, <b>.006</b> , (.632 OD) INT. & EX., <b>*BRONZE*</b> B/T 1984-2004 SP. 1986-2003
29-0628		VALVE GUIDE, <b>.008</b> , (.634 OD) INT. & EX., <b>*BRONZE*</b> B/T 1984-2004 SP. 1986-2003
29-0630		VALVE GUIDE, <b>.010</b> , (.636 OD) INT. & EX., <b>*BRONZE*</b> B/T 1984-2004 SP. 1986-2003
29-0632		VALVE GUIDE, <b>.012</b> , (.638 OD) INT. & EX., <b>*BRONZE*</b> B/T 1984-2004 SP. 1986-2003

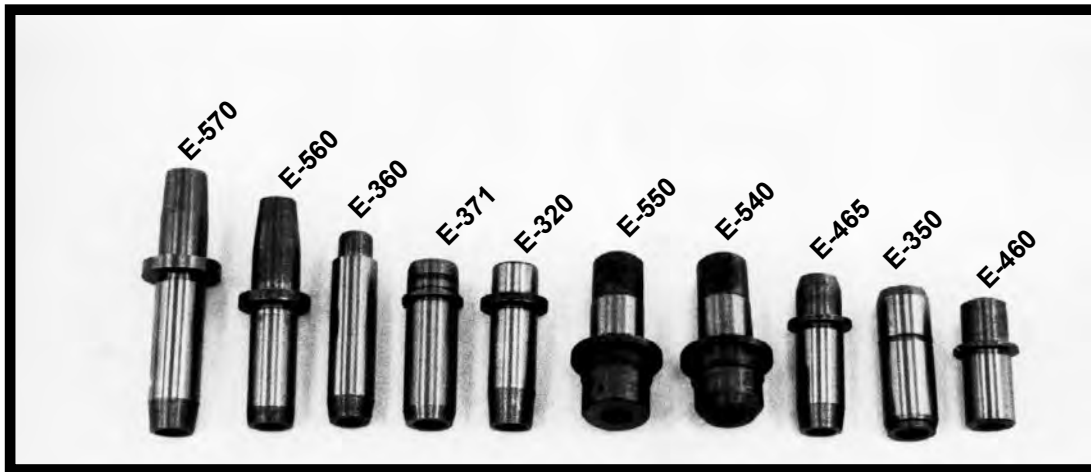
**\*\*CONTINUED NEXT PAGE\*\***

# **\*\*EASTERN MOTORCYCLE PARTS\*\***

## **\*\*VALVE GUIDES\*\***

### **\*\*CAST IRON\*\***

### **\*\*BIG TWIN-SPORTSTER\*\***



<u>EASTERN NUMBER</u>	<u>REPLACES OEM</u>	<u>DESCRIPTION</u>
<b>**KNUCKLEHEAD INTAKE**</b>		
E-540	18185-40	VALVE GUIDE, <b>STD, (.645 OD)</b> KNUCKLE, BIG TWIN 1936-1947 <b>**I.D. FINISHED**</b>
E-541	18186-40	VALVE GUIDE, <b>.001, (.646 OD)</b> KNUCKLE, BIG TWIN 1936-1947 <b>**I.D. FINISHED**</b>
E-542	18187-40	VALVE GUIDE, <b>.002, (.647 OD)</b> KNUCKLE, BIG TWIN 1936-1947 <b>**I.D. FINISHED**</b>
E-543		VALVE GUIDE, <b>.004, (.649 OD)</b> KNUCKLE, BIG TWIN 1936-1947 <b>**I.D. FINISHED**</b>
E-544		VALVE GUIDE, <b>.006, (.651 OD)</b> KNUCKLE, BIG TWIN 1936-1947 <b>**I.D. NOT FINISHED**</b>
E-545		VALVE GUIDE, <b>.008, (.652 OD)</b> KNUCKLE, BIG TWIN 1936-1947 <b>**I.D. NOT FINISHED**</b>
E-546		VALVE GUIDE, <b>.010, (.655 OD)</b> KNUCKLE, BIG TWIN 1936-1947 <b>**I.D. NOT FINISHED**</b>
E-547		VALVE GUIDE, <b>.012, (.657 OD)</b> KNUCKLE, BIG TWIN 1936-1947 <b>**I.D. NOT FINISHED**</b>
<b>**KNUCKLEHEAD EXHAUST**</b>		
E-550	18181-36	VALVE GUIDE, <b>STD, (.644 OD)</b> KNUCKLE, BIG TWIN 1936-1947 <b>**I.D. FINISHED**</b>
E-551	18182-36	VALVE GUIDE, <b>.001, (.645 OD)</b> KNUCKLE, BIG TWIN 1936-1947 <b>**I.D. FINISHED**</b>
E-552	18184-36	VALVE GUIDE, <b>.002, (.646 OD)</b> KNUCKLE, BIG TWIN 1936-1947 <b>**I.D. NOT FINISHED**</b>
E-553		VALVE GUIDE, <b>.004, (.648 OD)</b> KNUCKLE, BIG TWIN 1936-1947 <b>**I.D. NOT FINISHED**</b>
E-554		VALVE GUIDE, <b>.006, (.650 OD)</b> KNUCKLE, BIG TWIN 1936-1947 <b>**I.D. NOT FINISHED**</b>
E-555		VALVE GUIDE, <b>.008, (.652 OD)</b> KNUCKLE, BIG TWIN 1936-1947 <b>**I.D. NOT FINISHED**</b>
E-556		VALVE GUIDE, <b>.010, (.654 OD)</b> KNUCKLE, BIG TWIN 1936-1947 <b>**I.D. NOT FINISHED**</b>
E-557		VALVE GUIDE, <b>.012, (.656 OD)</b> KNUCKLE, BIG TWIN 1936-1947 <b>**I.D. NOT FINISHED**</b>
<b>**WITH SHOULDER**</b>		
E-460	18176-57A	VALVE GUIDE, <b>STD, (.565 OD)</b> INTAKE, SPORTSTER 1957-1983, <b>**I.D. FINISHED**</b>
E-461	18179-57B	VALVE GUIDE, <b>.001, (.566 OD)</b> INTAKE, SPORTSTER 1957-1983, <b>**I.D. FINISHED**</b>
E-462	18180-57B	VALVE GUIDE, <b>.002, (.567 OD)</b> INTAKE, SPORTSTER 1957-1983, <b>**I.D. FINISHED**</b>
E-463	18191-79	VALVE GUIDE, <b>.004, (.569 OD)</b> INTAKE, SPORTSTER 1957-1983, <b>**I.D. FINISHED**</b>
E-464		VALVE GUIDE, <b>.006, (.571 OD)</b> INTAKE, SPORTSTER 1957-1983, <b>**I.D. FINISHED**</b>
E-465	18170-57A	VALVE GUIDE, <b>STD, (.565 OD)</b> EXHAUST, SPORTSTER 1957-1983, <b>**I.D. FINISHED**</b>
E-466	18172-57A	VALVE GUIDE, <b>.001, (.566 OD)</b> EXHAUST, SPORTSTER 1957-1983, <b>**I.D. FINISHED**</b>
E-467	18171-57A	VALVE GUIDE, <b>.002, (.567 OD)</b> EXHAUST, SPORTSTER 1957-1983, <b>**I.D. FINISHED**</b>
E-468	18168-79	VALVE GUIDE, <b>.004, (.569 OD)</b> EXHAUST, SPORTSTER 1957-1983, <b>**I.D. FINISHED**</b>
E-470		VALVE GUIDE, <b>.006, (.571 OD)</b> EXHAUST, SPORTSTER 1957-1983, <b>**I.D. FINISHED**</b>

**\*\*CONTINUED NEXT PAGE\*\***

# **\*\*EASTERN MOTORCYCLE PARTS\*\***

## **\*\*VALVE GUIDES\*\***

**\*\*CAST IRON\*\***

**\*\*FLATHEAD 74 & 80\*\***

**\*\*FORTY-FIVE AND K-MODEL\*\***

**\*\*SINGLES, C-SINGLES & 45" TWINS\*\***



**\*\*ALL VALVE GUIDES ARE SOLD EACH\*\***

<b><u>EASTERN NUMBER</u></b>	<b><u>REPLACES OEM</u></b>	<b><u>DESCRIPTION</u></b>
A-166-26	* 166-26	VALVE GUIDE, <b>STD</b> , (.565 O.D.) *INT./EXHAUST* SINGLES 1926-1934 <b>**EASTERNS**</b>
A-166-26-001	* 166-26	VALVE GUIDE, <b>.001</b> , (.566 O.D.) *INT./EXHAUST* SINGLES 1926-1934 <b>**EASTERNS**</b>
A-166-29A	* 166-29A	VALVE GUIDE, <b>STD</b> , (.565 O.D.) *INT./EXHAUST* C-SINGLES 1929-1934 <b>**EASTERNS**</b>
A-166-32	* 166-32	VALVE GUIDE, <b>STD</b> , (.565 O.D.) *INT./EXHAUST* 45" TWINS 1932-1935 <b>**EASTERNS**</b>
<b>**I.D. FINISHED**</b>		
E-560	18176-41	VALVE GUIDE, <b>STD</b> , (.566 OD) **INT. & EX.** FORTY-FIVE 1941-'73, K-MODEL 1952-1956
E-561	18179-41	VALVE GUIDE, <b>.001</b> , (.567 OD) **INT. & EX.** FORTY-FIVE 1941-'73, K-MODEL 1952-1956
E-562	18180-41	VALVE GUIDE, <b>.002</b> , (.568 OD) **INT. & EX.** FORTY-FIVE 1941-'73, K-MODEL 1952-1956
E-564	18178-41	VALVE GUIDE, <b>.004</b> , (.570 OD) **INT. & EX.** FORTY-FIVE 1941-'73, K-MODEL 1952-1956
E-566		VALVE GUIDE, <b>.006</b> , (.572 OD) **INT. & EX.** FORTY-FIVE 1941-'73, K-MODEL 1952-1956
<b>**I.D. FINISHED**</b>		
E-570	18170-30	VALVE GUIDE, <b>STD</b> , (.596 OD) **INT. & EX.** FLATHEAD 1930-1948 *74-80" SIDEVALVE*
E-571	18171-30	VALVE GUIDE, <b>.001</b> , (.597 OD) **INT. & EX.** FLATHEAD 1930-1948 *74-80" SIDEVALVE*
E-572	18172-30	VALVE GUIDE, <b>.002</b> , (.598 OD) **INT. & EX.** FLATHEAD 1930-1948 *74-80" SIDEVALVE*
E-574	18173-30	VALVE GUIDE, <b>.004</b> , (.600 OD) **INT. & EX.** FLATHEAD 1930-1948 *74-80" SIDEVALVE*
E-576	18175-30	VALVE GUIDE, <b>.006</b> , (.602 OD) **INT. & EX.** FLATHEAD 1930-1948 *74-80" SIDEVALVE*
<b>**VALVE GUIDE SEALS**</b>		
H-3875	pk-10	VALVE GUIDE SEALS, **INTAKE** SPORTSTER 1954-1985
H-3877	pk-10	VALVE GUIDE SEALS, **EXHAUST** SPORTSTER 1954-1985
H-3879	pk-10	VALVE GUIDE SEALS, **INTAKE & EXHAUST** BIG TWIN 1948-1978
H-3880	18000-81 pk-10	VALVE GUIDE SEALS, **INTAKE & EXHAUST** BIG TWIN 1979-1985
H-3882	18001-83A pk-10	VALVE GUIDE SEALS, **INTAKE & EXHAUST** BIG TWIN 1984-2004, SPORT. 1986-2003

# **\*\*EASTERN MOTORCYCLE PARTS\*\***

## **\*\*VALVE SPRING KITS\*\***

### **\*\*BIG TWIN/SPORTSTER/FORTY-FIVE\*\***



<u>EASTERN NUMBER</u>	<u>REPLACES OEM</u>	<u>DESCRIPTION</u>
15-0010		VALVE SPRING KIT, W/COLLARS AND KEEPERS, FORTY-FIVE 1932-1940**FLATHEAD** <b>KIT INCLUDES: (4) 18201-32, (4) 18220-30, (4pr) 18228-30</b>
15-0013		VALVE SPRING KIT, W/COLLARS AND KEEPERS, FORTY-FIVE 1941-1973 **FLATHEAD** <b>KIT INCLUDES: (4) 18201-41, (4) 18220-30, (4pr) 18228-30</b>
15-0016		VALVE SPRING KIT, W/COLLARS AND KEEPERS, BIG TWIN 1930-1936 **SIDE VALVE** <b>KIT INCLUDES: (4) 18200-30, (4) 18221-30, (4) 18222-30, (4pr) 18228-30</b>
15-0020		VALVE SPRING KIT, W/COLLARS AND KEEPERS, BIG TWIN 1937-1948 **SIDE VALVE** <b>KIT INCLUDES: (4) 18200-30, (4) 18221-30, (4) 18222-30, (4pr) 18228-30</b>
15-0024		VALVE SPRING KIT, W/COLLARS AND KEEPERS, BIG TWIN 1936-1947 *KNUCKLEHEAD* <b>KIT INCLUDES: (4) 18203-36, (4) 18204-36A, (4) 18221-36, (4) 18222-36, (4pr) 18228-36</b>
15-0028		VALVE SPRING KIT, W/COLLARS AND KEEPERS, BIG TWIN 1948-1979 *PAN & SHOVEL* <b>KIT INCLUDES: (4) 18201-57B, (4) 18204-36A, (4) 18221-36, (4) 18222-48, (4) 18228-36</b>
15-0032		VALVE SPRING KIT, W/COLLARS AND KEEPERS, BIG TWIN 1980-1981 *SHOVELHEAD* <b>KIT INCLUDES: (4) 18201-82, (4) 18202-82, (4) 18221-36, (4) 18222-79, (4pr) 18228-36</b>
15-0036		VALVE SPRING KIT, W/COLLARS AND KEEPERS, BIG TWIN 1981-1984 *SHOVELHEAD* <b>KIT INCLUDES: (4) 18201-82, (4) 18202-82, (4) 18219-81, (4) 18222-81, (4pr) 18228-36</b>
15-0042		VALVE SPRING KIT, W/COLLARS AND KEEPERS, B/T 1984-2004 SPORT. 1986-2003 <b>KIT INCLUDES: (4) 18201-83, (4) 18202-83, (4) 18219-83, (4) 18222-83A, (4pr) 18229-83</b>
15-0053		VALVE SPRING KIT, W/COLLARS AND KEEPERS, SPORT. 1952-1953 **K & KK MODEL** <b>KIT INCLUDES: (4) 18201-52, (4) 18220-30, (4) 18165-41, (4) 18223-53, (4pr) 18228-30</b>
15-0058		VALVE SPRING KIT, W/COLLARS AND KEEPERS, SPORT. 1954-1956 **KH-MODELS** <b>KIT INCLUDES: (4) 18200-32, (4) 18220-30, (4) 18165-41, (4pr) 18228-30</b>
15-0063		VALVE SPRING KIT, W/COLLARS AND KEEPERS, SPORTSTER 1957-1981 <b>KIT INCLUDES: (4) 18203-57A, (4) 18204-57A, (4) 18220-57, (4) 18221-57, (4) 18228-30</b>
15-0067		VALVE SPRING KIT, W/COLLARS AND KEEPERS, SPORTSTER 1981-E'1983 <b>KIT INCLUDES: (4) 18203-57A, (4) 18204-57A, (4) 18220-81, (4) 18221-57, (4) 18228-30</b>
15-0071		VALVE SPRING KIT, W/COLLARS AND KEEPERS, SPORTSTER L/1983-1985 <b>KIT INCLUDES: (4) 18203-83, (4) 18204-83, (4) 18220-83, (4) 18221-57, (4pr) 18228-30</b>

# **\*\*EASTERN MOTORCYCLE PARTS\*\***

## **\*\*VALVE SPRINGS\*\***

### **\*\*COLLARS AND KEEPERS\*\***

#### **\*\*BIG TWIN/SPORTSTER/FORTY-FIVE\*\***

#### **\*\*MASTER LISTING\*\***



**\*\*ALL VALVE SPRINGS, COLLARS, KEEPERS AND SPACERS\*\***

**\*\*ARE MADE IN THE U.S.A.\*\***

<u>EASTERN NUMBER</u>	<u>REPLACES OEM</u>	<u>DESCRIPTION</u>
A-119-13	119-13	pk-5 VALVE SPRINGS <b>**INTAKE**</b> TWINS & SINGLES 1913-1914
A-119-15	119-15	pk-5 VALVE SPRINGS <b>**INTAKE**</b> TWINS & SINGLES 1915-1916
A-119-17	119-17	pk-5 VALVE SPRINGS <b>**INTAKE**</b> TWINS 1917-1923
A-119-23	119-23	pk-5 VALVE SPRINGS <b>**INTAKE**</b> TWINS 1923-1929
A-122-11	122-11	pair VALVE SPRING COLLARS, INTAKE <b>**UPPER**</b> BIG TWIN 1911-1929
A-123-23	123-23	pair VALVE SPRING LOCATING WASHER, <b>**JD MODELS**</b> BIG TWIN 1923-1929
A-186-10	186-10	pk-5 VALVE SPRINGS <b>**EXHAUST**</b> TWINS 1926-1932, SINGLES 1910-1929
A-188-08	188-08	pair VALVE SPRING COLLARS, <b>**UPPER**</b> BIG TWIN 1908-1929
A-18094-02	18094-02	pk-4 VALVE SPRING COLLARS, <b>W/VALVE SEAL</b> <b>**LOWER**</b> BIG TWIN 2005-PRESENT
A-18165-41	18165-41	set-4 VALVE SPRING COLLARS, <b>**UPPER**</b> SPORTSTER 1952-1956
A-18200-30	18200-30	set-4 VALVE SPRINGS, <b>**SIDE VALVE**</b> BIG TWIN 1930-1948
A-18200-32	18200-32	set-4 VALVE SPRINGS, <b>**KH-MODEL**</b> SPORTSTER 1954-1956
A-18200-79R	18200-79R	set-8 VALVE SPRINGS, (INNER & OUTER) BIG TWIN 1984-1999, SPORTSTER 1986-PRESENT
A-18201-32	18201-32	set-4 VALVE SPRINGS, <b>**FLATHEAD**</b> FORTY-FIVE 1932-1940
A-18201-36	18203-36	set-8 VALVE SPRINGS, (INNER & OUTER) <b>**KNUCKLE HEAD**</b> BIG TWIN 1936-1947
	18204-36A	
A-18201-41	18201-41	set-4 VALVE SPRINGS, <b>**FLATHEAD**</b> FORTY-FIVE 1941-1973
A-18201-52	18201-52	set-4 VALVE SPRINGS, <b>**K-MODEL**</b> SPORTSTER 1952-1953
A-18201-57B	18201-57B	set-8 VALVE SPRINGS, (INNER & OUTER) BIG TWIN 1948-1984
	18204-36A	

**\*\*CONTINUED ON NEXT PAGE\*\***

**\*5120 HILDA ROAD\* BLACKVILLE, S.C. 29817\* 803-284-3304\***

**\*Pg 152\***



# **\*\*EASTERN MOTORCYCLE PARTS\*\***

## **\*\*VALVE SPRINGS\*\***

### **\*\*COLLARS AND KEEPERS\*\***

#### **\*\*BIG TWIN/SPORTSTER/FORTY-FIVE\*\***

#### **\*\*MASTER LISTING\*\***

<u>EASTERN NUMBER</u>	<u>REPLACES OEM</u>		<u>DESCRIPTION</u>
A-18203-57A	18203-57A 18204-57A	set-8	VALVE SPRINGS, (INNER & OUTER) SPORTSTER 1957-1983
A-18203-83	18203-83 18204-83	set-8	VALVE SPRINGS, (INNER & OUTER) SPORTSTER 1983-1985
A-18205-82	18201-82 18202-82	set-8	VALVE SPRINGS, (INNER & OUTER) BIG TWIN 1966-1984
A-18206-83	18201-83 18202-83	set-8	VALVE SPRINGS, (INNER & OUTER) BIG TWIN 1984-2004 SPORT. 1986-2003
A-18213-86	18213-86	set-4	VALVE SPRING COLLARS, **LOWER** B/T 1984-PRESENT, SPORTSTER 1986-PRESENT
A-18219-81	18219-81	pk-4	VALVE SPRING COLLARS, **UPPER** (SHOVELHEAD) BIG TWIN 1981-1984
A-18219-83A	18219-83A	pk-4	VALVE SPRING COLLARS, **UPPER** (EVOLUTION) B/T 1984-2004, SPORT. 1986-2003
A-18220-30	18220-30	pk-4	VALVE SPRING COLLARS, **LOWER** SP. 1952-1956, FORTY-FIVE 1952-1956
A-18220-57	18220-57	pk-4	VALVE SPRING COLLARS, **LOWER** SPORTSTER 1957-1981
A-18220-81	18220-81	pk-4	VALVE SPRING COLLARS, **LOWER** SPORTSTER 1981-1983
A-18220-83	18220-83	pk-4	VALVE SPRING COLLARS, **LOWER** SPORTSTER 1983-1985
A-18221-30	18221-30	pk-4	VALVE SPRING COLLARS, **UPPER** (S/V 74 & 80") BIG TWIN 1930-1948
A-18221-36	18221-36	pk-4	VALVE SPRING COLLARS, **UPPER** BIG TWIN 1936-1981
A-18221-57B	18221-57B	pk-4	VALVE SPRING COLLARS, **UPPER** SPORTSTER 1957-1985
V-13-127	18221-79R	pk-4	COLLARS, UPPER VALVE SPRING <b>**ALUMINUM**</b> XR-750 1980-UP
A-18222-30	18222-30	pk-4	VALVE SPRING COLLARS, **LOWER** (S/V 74 & 80") BIG TWIN 1930-1948
A-18222-36	18222-36	pk-4	VALVE SPRING COLLARS, **LOWER** (KNUCKLE HEAD) BIG TWIN 1936-1947
A-18222-48	18222-48	pk-4	VALVE SPRING COLLARS, **LOWER** BIG TWIN 1948-1979
A-18222-79	18222-79	pk-4	VALVE SPRING COLLARS, **LOWER** BIG TWIN 1980-1981
A-18222-81	18222-81	pk-4	VALVE SPRING COLLARS, **LOWER** BIG TWIN 1981-1984
A-18222-83	18222-83	pk-4	VALVE SPRING COLLARS, **LOWER** (EVOLUTION) BIG TWIN 1984-'04. SP. 1986-'03
A-18223-37	18223-37	pk-4	SPACERS, **UPPER** SPRING COLLARS, (S/V 74 & 80") BIG TWIN 1937-1948
A-18223-53	18223-53	pk-4	SPACERS, **UPPER** SPRING COLLARS, (K-MODEL) SPORTSTER 1952-1953
A-18228-30	18228-30	set-4	VALVE STEM KEEPERS, SPORTSTER 1952-1985, FORTY-FIVE 1932-1973
A-18228-36	18228-36	set-4	VALVE STEM KEEPERS, BIG TWIN 1937-1984
A-18229-83	18229-83	set-4	VALVE STEM KEEPERS, BIG TWIN 1985-2004, SPORTSTER 1986-2003
V-13-129	18230-93R	pk-4	COLLARS, UPPER VALVE SPRING <b>**ALUMINUM**</b> XR-750 1993-UP
A-18258-02	18258-02	pk-4	VALVE SPRING COLLAR <b>**UPPER**</b> BIG TWIN 2005-PRESENT, SPORTSTER 2004-PRES.
A-18260-02	18260-02	set-4	VALVE STEM RETAINERS, BIG TWIN 2005-PRESENT, SPORTSTER 2004-PRES.
A-18245-67R	18245-67R	pk-10	SHIMS, (.007) UNDER VALVE COLLAR, BIG TWIN 1984-1999, SPORTSTER 1986-PRES.
A-18246-67R	18246-67R	pk-10	SHIMS, (.015) UNDER VALVE COLLAR, BIG TWIN 1984-1999, SPORTSTER 1986-PRES.
A-18247-67R	18247-67R	pk-10	SHIMS, (.036) UNDER VALVE COLLAR, BIG TWIN 1984-1999, SPORTSTER 1986-PRES.



V-13-127  
(18221-79R)



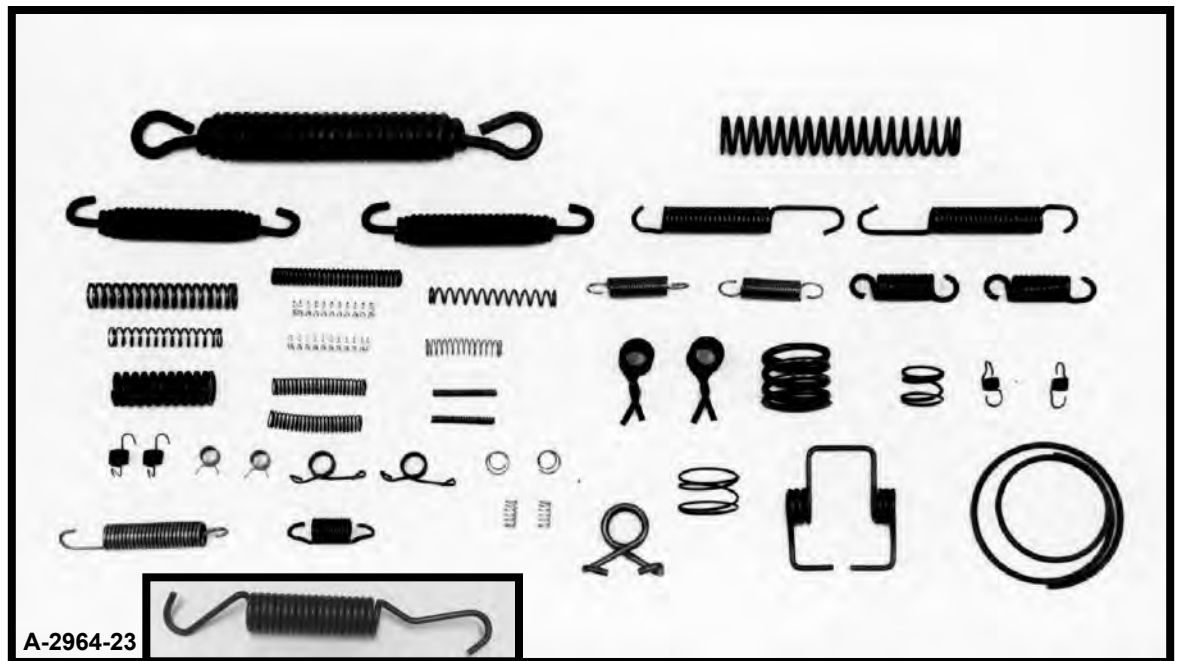
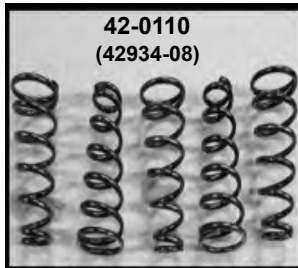
V-13-129  
(18230-93R)

# **\*\*EASTERN MOTORCYCLE PARTS\*\***

## **\*\*SPRINGS\*\***

### **\*\*BIG TWIN-SPORTSTER\*\***

### **\*\*MASTER LISTING\*\***



**\*\*MOST SPRINGS ARE SOLD IN PACKS OF 10\*\***

**\*\*UNLESS NOTED OTHERWISE\*\***

<u>EASTERN NUMBER</u>	<u>REPLACES OEM</u>		<u>DESCRIPTION</u>
A-119-13	119-13	pk-5	VALVE SPRINGS <b>**INTAKE**</b> TWINS & SINGLES 1913-1914
A-119-15	119-15	pk-5	VALVE SPRINGS <b>**INTAKE**</b> TWINS & SINGLES 1915-1916
A-119-17	119-17	pk-5	VALVE SPRINGS <b>**INTAKE**</b> TWINS 1917-1923
A-119-23	119-23	pk-5	VALVE SPRINGS <b>**INTAKE**</b> TWINS 1923-1929
A-140-17	140-17	pk-5	SPRINGS, INTAKE PUSH ROD, TWINS 1917-1929
A-186-10	186-10	pk-5	VALVE SPRINGS <b>**EXHAUST**</b> TWINS 1926-1932, SINGLES 1910-1929
A-2511-12	2511-12	set-6	CLUTCH SPRINGS, <b>**SINGLES &amp; TWINS**</b> BIG TWIN 1912-1914
A-2511-15	2511-15	set-6	CLUTCH SPRINGS, <b>**TWINS ONLY**</b> BIG TWIN 1915-1927
A-2964-23	2964-23	each	SPRINGS, REAR BRAKE LEVER <b>**BLACK**</b> TWINS 1923-1929, 45" TWINS 1930-1931
A-17483-57	17483-57	pk-10	SPRINGS, ROCKER ARM SHAFT, SPORTSTER 1957-1985
A-17947-36	17947-36	pk-10	SPRINGS, PUSH ROD COVER, BIG TWIN 1936-1984, SPORTSTER 1957-1985
A-18200-30	18200-30	set-4	VALVE SPRINGS, <b>**SIDE VALVE**</b> BIG TWIN 1930-1948
A-18200-32	18200-32	set-4	VALVE SPRINGS, <b>**KH-MODEL**</b> SPORTSTER 1954-1956
A-18200-79R	18200-79R	set-8	VALVE SPRINGS, <b>**SCREAMIN' EAGLE**</b> BIG TWIN 1984-1999, SPORTSTER 1986-P.
A-18201-32	18201-32	set-4	VALVE SPRINGS, <b>**FLATHEAD**</b> FORTY-FIVE 1932-1940
A-18201-41	18201-41	set-4	VALVE SPRINGS, <b>**FLATHEAD**</b> FORTY-FIVE 1941-1973
A-18201-52	18201-52	set-4	VALVE SPRINGS, <b>**K-MODEL**</b> SPORTSTER 1952-1953
A-18201-57B	18201-57B	set-8	VALVE SPRINGS, <b>**PAN &amp; SHOVELHEAD**</b> (INNERS & OUTERS) BIG TWIN 1948-1984
	18204-36A		
A-18205-82	18201-82	set-4	VALVE SPRINGS, <b>**SHOVELHEAD**</b> (INNERS & OUTERS) BIG TWIN 1966-1984
	18202-82		
A-18206-83	18201-83	set-8	VALVE SPRINGS, <b>**EVOLUTION**</b> (INNERS & OUTERS) BIG TWIN 1984-'04, SP. 1986-'03
	18202-83		

**\*\*CONTINUED ON NEXT PAGE\*\***

**\*5120 HILDA ROAD\* BLACKVILLE, S.C. 29817\* 803-284-3304\***

**\*Pg 154\***

# **\*\*EASTERN MOTORCYCLE PARTS\*\***

## **\*\*SPRINGS\*\***

### **\*\*BIG TWIN-SPORTSTER\*\***

#### **\*\*MASTER LISTING\*\***

<u>EASTERN NUMBER</u>	<u>REPLACES OEM</u>		<u>DESCRIPTION</u>
A-18201-36	18203-36 18204-36A	set-4	VALVE SPRINGS, **KNUCKLEHEAD** (INNERS & OUTERS) BIG TWIN 1936-1947
A-18203-57A	18203-57A 18204-57A	set-4	VALVE SPRINGS, (INNERS& & OUTERS) SPORTSTER 1957-1983
A-18203-83	18203-83 18204-83	set-4	VALVE SPRINGS, (INNERS & OUTERS) SPORTSTER 1983-1985
A-18247-39	18247-39	pk-10	SPRINGS, VALVE COVER, **SIDE VALVE** BIG TWIN 1939-1948
A-24699-37	24699-37	pk-10	SPRINGS, GEAR SHAFT SPACER, BIG TWIN 1939-1954, FORTY-FIVE 1937-1973
A-24700-37	24700-37	pk-10	SPRINGS, GEAR SHAFT SEAL RING, BIG TWIN 1937-1948
A-24979-63	24979-63	pk-10	SPRINGS, CRANKCASE OIL SCREEN, BIG TWIN 1963-1965
A-24982-66	24982-66	pk-10	SPRINGS, CRANKCASE OIL SCREEN, BIG TWIN 1966-1969
A-24982-70	24982-70	pk-10	SPRINGS, CRANKCASE OIL SCREEN, BIG TWIN 1970-PRESENT
A-25287-37	25287-37	pk-10	SPRINGS, SEAL RING CAM COVER, BIG TWIN 1937-1948, SPORTSTER 1952-1962
A-26002-86	26002-86	pk-10	SPRINGS, OIL FILTER PLUNGER, **EXTERNAL** SPORTSTER 1986-1998
A-26207-83	26207-83	pk-10	SPRINGS, OIL PUMP RELIEF VALVE, BIG TWIN 1983-1998
A-26210-99	26210-99	pk-10	SPRINGS, OIL PUMP RELIEF VALVE, **2-CAM** BIG TWIN 1999-PRESENT
A-26262-80	26262-80	pk-10	SPRINGS, OIL PUMP CHECK VALVE, BIG TWIN 1981-1998
A-26286-37	26286-37	pk-10	SPRINGS, OIL PUMP FEED VANES, SIDE VALVE 1937-1948, FORTY-FIVE 1937-1973
A-26363-36	26363-36	pk-10	SPRINGS, OIL PUMP CHECK VALVE, BIG TWIN 1937-1980
A-26363-56	26363-56	pk-10	SPRINGS, OIL PUMP CHECK VALVE, BIG TWIN 1956-1965
A-26364-57	26364-57	pk-10	SPRINGS, OIL PUMP CHECK VALVE, SPORTSTER 191957-E/1972
A-26364-72	26364-72	pk-10	SPRINGS, OIL PUMP CHECK VALVE, SPORTSTER L/1972-1976
A-26373-41	26373-41	pk-10	SPRINGS, OIL PUMP BY-PASS VALVE, BIG TWIN 1941-1952, FORTY-FIVE 1941-1973
A-26374-42	26374-42	pk-10	SPRINGS, OIL PUMP BY-PASS VALVE, BIG TWIN 1942-1952
A-26374-54	26374-54	pk-10	SPRINGS, OIL PUMP RELIEF VALVE, BIG TWIN 1954-1972
A-26436-86	26436-86	pk-10	SPRINGS, OIL FILTER BALL, **CHECK VALVE** SPORTSTER 1986-PRESENT
A-27123-89	27123-89	pk-10	SPRINGS, ACCELERATOR ROD, **CARBURETOR** BIG TWIN 1990-'02, SPORT. 1989-'02
A-27136-81	27136-81	pk-10	SPRINGS, THROTTLE & IDLE SCREWS, **CARB.** BIG TWIN 1981-1990, SP. 1981-1991
A-27136-90	27136-90	pk-10	SPRINGS, THROTTLE & IDLE SCREWS, **CARB** BIG TWIN 1991-2006, SP. 1992-2006
A-27162-89	27162-89	pk-10	SPRINGS, VACUUM PISTON, **CARBURETOR** BIG TWIN 1990-2006, SPORT. 1989-2006
A-27272-71	27272-71	pk-10	SPRINGS, THROTTLE RETURN, **BENDIX CARB.** BIG TWIN 1971-1975, SP. 1972-1976
A-27291-32	27291-32	pk-10	SPRINGS, THROTTLE SHAFT, **LINKERT CARB.** BIG TWIN 1931-1965, SP. 1957-1965
A-27314-76	27314-76	pk-10	SPRINGS, THROTTLE STOP SCREW, **KEIHIM CARB.** B/T 1976-1980, SP. 1976-1980
A-27315-88	27315-88	pk-10	SPRINGS, STARTER VALVE CAP, **KEIHIM CARB** BIG TWIN 1990-'05 SPORT. 1988-06
A-27319-76	27319-76	pk-10	SPRINGS, LOW SPEED ADJUSTING SCREW, **KEIHIM** B/T 1976-1978, SP. 1976-1978
A-27322-76	27322-76	pk-10	SPRINGS, THROTTLE RETURN LEVER, **KEIHIM CARB.** B/T 1976-1980, SP. 1976-1980
A-27330-33	27330-33	pk-10	SPRINGS, MAIN NOZZLE RETAINER, **CARBURETOR** BIG TWIN 1933-1965
A-27347-69	27347-69	pk-10	SPRINGS, ACCELERATING PUMP PLUNGER, **TILLOTSON** B/T 1967-'70, SP. 1966-1971
A-27349-27	27349-27	pk-10	SPRINGS, LOW SPEED VALVE LEVER, **LINKERT CARBURETOR** BIG TWIN 1933-1965
A-27362-76	27362-76	pk-10	SPRINGS, DIAPHRAGM TO LOWER HOUSING, BIG TWIN 1976-2006, SPORT 1976-2006
A-27405-26	27405-26	pk-10	SPRINGS, FRICTION BALL, **LINKERT CARBURETOR** BIG TWIN 1926-1965
A-27584-88	27584-88	pk-10	SPRINGS, VACUUM PISTON, **CARBURETOR** SPORTSTER 1988-1989
A-27599-66	27599-66	pk-10	SPRINGS, INLET VALVE LEVER, **TILLOTSON CARB.** B/T 1967-1970, SPORT. 1966-1971
A-27613-71	27613-71	pk-10	SPRINGS, THROTTLE STOP SCREW, **BENDIX CARB** B/T 1971-1975, SP. 1972-1976
A-27642-71	27642-71	pk-10	SPRINGS, IDLER ADJUSTING SCREW, **BENDIX** BIG TWIN 1971-1975, SP. 1972-1976
A-27659-71	27659-71	pk-10	SPRINGS, FLOAT PIN, **BENDIX CARB.** BIG TWIN 191971-1975, SPORTSTER 1972-'76
A-27666-71	27666-71	pk-10	SPRINGS, FRICTION CHOKE, **BENDIX CARB.** B/T 1971-1975, SPORTSTER 1972-1976
A-27669-66	27669-66	pk-10	SPRINGS, CHOKE RELIEF DISC, **TILLOTSON CARB.** B/T 1967-1970, SP. 1966-1971
A-27689-61	27689-61	pk-10	SPRINGS, IDLE & INTERMEDIATE SCREWS, *TILLOTSON* B/T 1967-1970, SP. 1966-1971
A-27691-59	27691-59	pk-10	SPRINGS, THROTTLE LEVER STOP, *TILLOTSON CARB.* B/T 1967-1970, SP. 1966-1971

**\*\*CONTINUED NEXT PAGE\*\***

# **\*\*EASTERN MOTORCYCLE PARTS\*\***

## **\*\*SPRINGS\*\***

### **\*\*BIG TWIN-SPORTSTER\*\***

#### **\*\*MASTER LISTING\*\***

<u>EASTERN NUMBER</u>	<u>REPLACES OEM</u>		<u>DESCRIPTION</u>
A-27706-66	27706-66	pk-10	SPRINGS, THROTTLE SHAFT, **TILLOTSON CARB.** B/T 1967-1970, SPORT. 1966-1971
A-29980-84	29980-84	pk-10	SPRINGS, SHIFTER CAM FOLLOWER, **TRANSMISSION** SPORTSTER L/1984-1990
A-30430-26	30430-26	pk-10	SPRINGS, GENERATOR BRUSHES, *32 & 52 GEN.* BIG TWIN 1932-1957, SP. 1952-1957
A-30453-32	30453-32	pk-10	SPRINGS, GENERATOR BRUSHES, *32 & 52 GEN.* BIG TWIN 1932-1957, SP. 1952-1957
A-30453-58	30453-58	pk-10	SPRINGS, GENERATOR BRUSH HOLDER, BIG TWIN 1958-1969, SPORTSTER 1958-1981
A-31040-31	31040-31	pk-10	SPRINGS, GENERATOR DRIVE GEAR, BIG TWIN 1932-1957, SPORTSTER 1952-1957
A-31326-91	31326-91	pk-10	SPRINGS, PINION SHAFT, (LEFT SIDE) **STARTER MOTOR** SPORTSTER 1991-2002
A-31330-91	31330-91	pk-10	SPRINGS, PINION SHAFT, (RIGHT SIDE) **STARTER MOTOR** SPORTSTER 1991-1998
A-31438-65A	31438-65A	pk-10	SPRINGS, SOLENOID OVER-RUN, BIG TWIN 1965-1988, SPORTSTER 1967-1980
A-31440-65	31440-65	pk-10	SPRINGS, RETURN PLUNGER, BIG TWIN 1965-1988, SPORTSTER 1967-1980
A-31534-66	31534-66	pk-10	SPRINGS, BRUSH HOLDER, **PRESTOLITE STARTER** B/T 1966-1982, SP. 1967-1980
A-31557-81	31557-81	pk-10	SPRINGS, CLUTCH ASSEMBLY, *STARTER MOTOR* BIG TWIN 1989-1990, SP. 1981-1990
A-31593-73	31593-73	pk-10	SPRINGS, BRUSH HOLDER, **HITACHI STARTER** B/T 1982-1988, SPORT. 1974-1976
A-31600-90	31600-90	pk-10	SPRINGS, CLUTCH ASSEMBLY, **STARTER MOTOR** BIG TWIN 1991-06, SP. 1991-2010
A-31641-06	31641-06	pk-10	SPRINGS, STARTER SOLENOID (STARTER MOTOR) BIG TWIN 2007-2010
A-31692-90	31692-90	pk-10	SPRINGS, CLUTCH GEAR SHAFT, **STARTER MOTOR** BIG TWIN 1991-PRESENT
A-32605-70	32605-70	pk-10	SPRINGS, BREAKER WEIGHTS, BIG TWIN 1970-1978, SPORTSTER 1971-1978
A-32629-30	32629-30	pk-10	SPRINGS, BREAKER LEVER, BIG TWIN 1930-1947, FORTY-FIVE 1930-1947
A-33084-41	33084-41	each	SPRINGS, KICK STARTER, **CHROME** SPORTSTER 1952-1979, FORTY-FIVE 1929-1973
A-33085-36	33085-36	each	SPRINGS, KICK STARTER, **CHROME** BIG TWIN 1936-1984
A-33199-79	33199-79	pk-10	SPRINGS, SHIFTER PAWLS, **4-SPEED** BIG TWIN 1979-1984
A-33201-79	33201-79	pk-10	SPRINGS, SHIFTER PAWL CARRIER, **4-SPEED** BIG TWIN 1979-1984
A-33374-00	33374-00	pk-10	SPRINGS, DETENT ARM, BIG TWIN 2001-PRESENT
A-33389-06	33389-06	pk-10	SPRINGS, DETENT ARM, **6-SPEED** BIG TWIN 2006-PRESENT
A-33389-07	33389-07	pk-10	SPRINGS, DETENT ARM, **6-SPEED** BIG TWIN 2007-PRESENT
A-33390-26	33390-26	pk-10	SPRINGS, SHIFTER GEAR & CLUTCH, BIG TWIN 1941-1979, FORTY-FIVE 1929-1973
A-33391-36	33391-36	pk-10	SPRINGS, STARTER CLUTCH GEAR, BIG TWIN 1937-1969
A-33391-52	33391-52	pk-10	SPRINGS, STARTER RATCHET GEAR, SPORTSTER 1952-1979
A-33447-89	33447-89	pk-10	SPRINGS, PINION GEAR SHAFT, **STARTER MOTOR** BIG TWIN 1989-ONLY
A-33449-90	33449-90	pk-10	SPRINGS, PINION GEAR SHAFT, **STARTER MOTOR** BIG TWIN 1991-1993
A-33449-94	33449-94	pk-10	SPRINGS, PINION GEAR SHAFT, **STARTER MOTOR** BIG TWIN 1994-2006
A-33455-26	33455-26	pk-10	SPRINGS, COUNTERSHAFT, **TRANSMISSION** FORTY-FIVE 1929-1973
A-34057-36	34057-36	pk-10	SPRINGS, PLUNGER BALL, (HAND SHIFT) BIG TWIN 1936-1976, FORTY-FIVE 1929-1973
A-34064-00C	34064-00C	pk-10	SPRINGS, SHIFTER LEVER, BIG TWIN 2000-PRESENT, SPORTSTER 2004-PRESENT
A-34068-52A	34068-52A	pk-10	SPRINGS, CAM FOLLOWER, BIG TWIN 1952-1982, SPORTSTER 1954-E/1984
A-34083-79	34083-79	pk-10	SPRINGS, SHIFTER SHAFT LEVER, **5-SPEED** BIG TWIN 1980-PRESENT
A-34087-79A	34087-79A	pk-5	SPRINGS, SHIFTER SHAFT, **5-SPEED** BIG TWIN 1980-PRESENT
A-34089-79	34089-79	pk-10	SPRINGS, CAM FOLLOWER, **5-SPEED** BIG TWIN 1980-2000
A-34481-91	34481-91	pk-10	SPRINGS, SHIFTER ARM SHAFT, **5-SPEED** SPORTSTER 1991-PRESENT
A-34482-53	34482-53	pk-10	SPRINGS, SHIFTER PAWLS, **4-SPEED** BIG TWIN 1952-1979, SPORTSTER 1954-1971
A-34483-90	34483-90	pk-10	SPRINGS, DETENT ARM, **5-SPEED** SPORTSTER 1991-2003
A-34483-02	34483-02	pk-10	SPRINGS, DETENT ARM, **5-SPEED** SPORTSTER 2004-2005
A-34483-06	34483-06	pk-10	SPRINGS, DETENT ARM, **5-SPEED** SPORTSTER 2006-PRESENT
A-34491-91	34491-91	pk-10	SPRINGS, SHIFTER PAWL ARM, **5-SPEED** SPORTSTER 1991-2003
A-34491-02A *	34491-02A	pk-5	SPRINGS, SHIFTER LEVER, **5-SPEED** SPORTSTER 2004-PRESENT
A-34500-52A	34500-52A	pk-10	SPRINGS, PAWL CARRIER, **4-SPEED** BIG TWIN 1952-1979, SPORTSTER 1954-1990
A-34977-00A	34977-00A	pk-10	SPRINGS, SHIFTER SHAFT LEVER, BIG TWIN 2000-2006
A-34987-06	34987-06	pk-10	SPRINGS, RATCHET LEVER, BIG TWIN 2006-PRESENT
A-36715-84	36715-84	pk-10	SPRINGS, CLUTCH ADJUSTMENT, SPORTSTER 1984-1993
A-36715-94	36715-94	pk-10	SPRINGS, CLUTCH ADJUSTMENT, SPORTSTER 1994-PRESENT
J-1-80 *	36880-36	each	SPRING, CLUTCH PEDAL, **PARKERIZED** FORTY-FIVE 1930-1952 **MADE IN U.S.A.**

**\*\*CONTINUED NEXT PAGE\*\***

# **\*\*EASTERN MOTORCYCLE PARTS\*\***

## **\*\*SPRINGS\*\***

### **\*\*BIG TWIN-SPORTSTER\*\***

#### **\*\*MASTER LISTING\*\***

<u>EASTERN NUMBER</u>	<u>REPLACES OEM</u>		<u>DESCRIPTION</u>
A-37222-52	37222-52	pk-10	SPRINGS, CLUTCH WORM LEVER, SPORTSTER 1954-1990
A-37347-42	37347-42	pk-10	SPRINGS, PUSH ROD OIL SEAL, FORTY-FIVE 1941-1973
A-37574-44	37574-44	pk-10	SPRINGS, CLUTCH HUB STUDS, BIG TWIN 1936-1984
A-38075-41	38075-41	pk-10	SPRINGS, CLUTCH, BIG TWIN 1941-1967 (SET-10)
A-38075-68	38075-68	pk-10	SPRINGS, CLUTCH, BIG TWIN 1968-1984 (SET-10)
A-38076-52	38076-52	pk-6	SPRINGS, CLUTCH, SPORTSTER 1954-1970 (SET-6)
A-38079-72	38079-72	each	SPRINGS, CLUTCH RELEASING DISC, (OUTER) SPORTSTER 1971-1984
A-38080-71	38080-71	each	SPRINGS, CLUTCH RELEASING DISC, (INNER) SPORTSTER 1971-1984
A-38080-90		each	SPRINGS, CLUTCH RELEASING DISC, <b>**HEAVY DUTY**</b> (1-PIECE) SPORTSTER 1971-'84
A-38080-SET			SPRINGS, CLUTCH RELEASING DISC, (INNER & OUTER) SPORTSTER 1971-1984 <b>**SET INCLUDES: (1) 38079-72, (1) 38080-71**</b>
A-38498-52	38498-52	each	SPRINGS, CLUTCH BOOSTER, <b>**PLAIN**</b> BIG TWIN 1952-1967
A-38498-52C	38498-52	each	SPRINGS, CLUTCH BOOSTER, <b>**CHROME**</b> BIG TWIN 1952-1967
A-40019-80A	40019-80A	pk-5	SPRINGS, FRONT CHAIN TENSIONER, SPORTSTER 1977-1985
A-40019-86A	40019-86A	pk-5	SPRINGS, FRONT CHAIN TENSIONER, SPORTSTER 1986-1990
A-40302-55A	40302-55A	each	SPRINGS, COMPENSATING SPROCKET, BIG TWIN 1955-E/1970, SPORT. 1957-E/1976
A-40503-63	40503-63	pk-10	SPRINGS, STOPLIGHT SWITCH, SPORTSTER 1964-1969
A-40521-75	40521-75	pk-5	SPRINGS, STOPLIGHT SWITCH, SPORTSTER 1975-1976
A-40920-79	40920-79	pk-10	SPRINGS, BRAKE ROD RETURN, <b>**MASTER CYLINDER**</b> B/T 1980-1984, SP. 1980-1984
A-40920-82	40920-82	pk-10	SPRINGS, BRAKE ROD RETURN, <b>**MASTER CYLINDER**</b> B/T 1984-1987, SP. 1984-1987
A-40920-87	40920-87	pk-10	SPRINGS, BRAKE ROD RETURN, <b>**MASTER CYLINDER**</b> B/T 1987-2007, SP. 1987-1990
A-41667-75	41667-75	pk-10	SPRINGS, OPERATING LEVER, <b>**ZINC PLATED**</b> SPORTSTER 1954-1977
A-41769-58	41769-58	pk-10	SPRINGS, <b>**ONLY**</b> MASTER CYLINDER, BIG TWIN 1958-E/1979
A-41835-30	41835-30	pair	SPRINGS, BRAKE SHOES, <b>**MECHANICAL**</b> BIG TWIN 1930-1957
A-41835-57R	41835-57R	pair	SPRINGS, BRAKE SHOES OR EXHAUST, <b>**BLACK**</b> <b>**XR-750**</b> 1972-1988
J-1-93	41835-69B	pair	SPRINGS, BRAKE SHOES, (F & R) <b>**MECHANICAL**</b> BIG TWIN 1949-1979, SP. 1954-1978
J-1-94	41835-69	each	SPRINGS, BRAKE SHOES & BRAKE PEDAL RETURN, <b>**CHROME**</b> BIG TWIN 1958-1979
	42427-58		
A-41836-58	41836-58	pk-5	SPRINGS, BRAKE SHOE RETURN, (UPPER) BIG TWIN 1958-1962
A-41836-63	41836-63	pk-5	SPRINGS, BRAKE SHOE RETURN, (UPPER) BIG TWIN 1963-1972
J-1-92	41836-84	each	SPRINGS, KICK STAND RETURN, SPORTSTER 1985-1988
A-41837-58	41837-58	pk-5	SPRINGS, BRAKE SHOE RETURN, (LOWER) BIG TWIN 1958-1962
A-41837-63	41837-63	pk-5	SPRINGS, BRAKE SHOE RETURN, (LOWER) BIG TWIN 1963-1972
A-41840-SET			SPRINGS, BRAKE SHOE RETURN, (UPPER & LOWER) BIG TWIN 1963-1972 <b>**SET INCLUDES: (1) 41836-63, (1) 41837-63**</b>
A-42425-71C	42425-71C	each	SPRINGS, BRAKE LEVER, <b>**CHROME**</b> BIG TWIN 1971-1979
A-42425-79	42425-79	pk-5	SPRINGS, BRAKE LEVER, <b>**ZINC PLATED**</b> BIG TWIN 1971-1985
A-42425-79C	42425-79	each	SPRINGS, BRAKE LEVER, <b>**CHROME**</b> BIG TWIN 1971-1985
A-42426-58	42426-58	each	SPRINGS, BRAKE PEDAL RETURN, <b>**ZINC PLATED**</b> SPORTSTER 1958-1969
A-42427-52	42427-52	each	SPRINGS, BRAKE PEDAL RETURN, <b>**ZINC PLATED**</b> SPORTSTER 1954-1974
A-42479-90	42479-90	pk-5	SPRINGS, REAR BRAKE CONTROL. <b>**MASTER CYLINDER**</b> B/T 1991-1996, SP. 1991-'03
A-42521-80	42521-80	pk-10	SPRINGS, REAR BRAKE LEVER, (FOOT SHIFT) BIG TWIN L/1981-L/1982
42-0110	42934-08	pk-5	SPRINGS, BRAKE PEDAL RETURN, BIG TWIN 2008-PRESENT
A-43302-77	* 43302-77	pk-5	SPRINGS, BRAKE CALIPER, (FRONT) <b>**SERVICE FIX**</b> B/T 1974-1977, SPORT. 1974-1977
A-44043-80	44043-80	pk-10	SPRINGS, REAR BRAKE PADS, BIG TWIN 1980-1985
A-44486-28	44486-28	pk-5	SPRINGS, BRAKE SHOE RETURN (FRONT & REAR) FORTY-FIVE 1929-1952

**\*\*CONTINUED NEXT PAGE\*\***

# \*\*EASTERN MOTORCYCLE PARTS\*\*

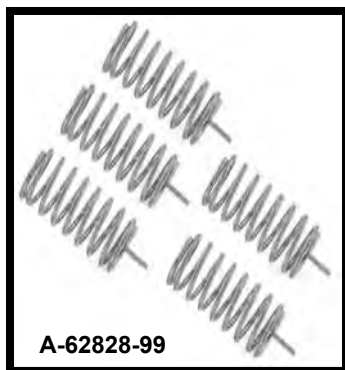
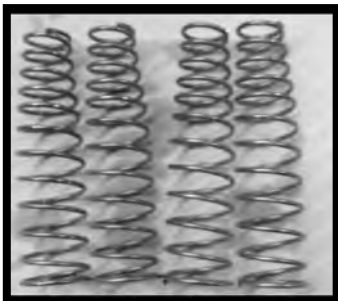
## \*\*SPRINGS\*\*

### \*\*BIG TWIN-SPORTSTER\*\*

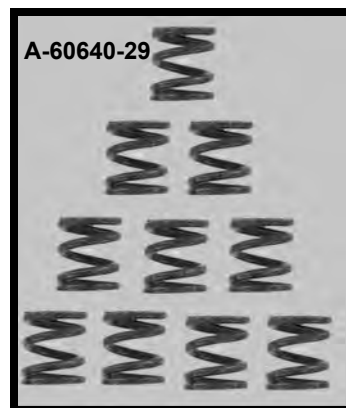
### \*\*MASTER LISTING\*\*

<u>EASTERN NUMBER</u>	<u>REPLACES OEM</u>	<u>DESCRIPTION</u>
A-45061-72A	45061-72A	pk-10 SPRINGS, PISTON RETURN, **MASTER CYLINDER** B/T 1972-1981, SPORT. 1973-1981
A-45071-72	45071-72	pk-10 SPRINGS, PLUNGER, **MASTER CYLINDER** BIG TWIN 1972-1981, SPORT. 1973-1981
K-2-842	45375-87	pair SPRINGS, FRONT FORK, **SHOWA** BIG TWIN 1987-1990
K-2-844	45362-90	pair SPRINGS, FRONT FORK, **SHOWA** BIG TWIN 1990-1996
41-0110	45374-87	pair SPRINGS, DAMPER TUBES, BG TWIN 1987-1999, SPORTSTER 1987-PRESENT
A-45382-83	45382-83	pk-10 SPRINGS, SLIDER DAMPER TUBES, **FRONT END** BIG TWIN 1984-1987, SP. 1984-1987
K-2-843	45385-83	pair SPRINGS, FRONT FORK, **SHOWA** BIG TWIN 1984-1987
K-2-834	45408-75	pair SPRINGS, FRONT FORK, **SHOWA** BIG TWIN 1976-1982, SPORTSTER 1975-1979
K-2-840	45408-84	pair SPRINGS, FRONT FORK, **SHOWA** BIG TWIN 1984-1987
K-2-836	45837-77	pair SPRINGS, FRONT FORK, **SHOWA** BIG TWIN 1977-1984
K-2-838	45853-83	pair SPRINGS, FRONT FORK, **SHOWA** BIG TWIN 1984-1996
A-45855-77	45855-77	pk-10 SPRINGS, DAMPER TUBES, **SHOWA** BIG TWIN 1977-PRESENT
K-2-832	45907-80	pair SPRINGS, FRONT FORK, **SHOWA** SPORTSTER 1980-1983
K-2-833	45907-83	pair SPRINGS, FRONT FORK, **SHOWA** SPORTSTER 1984-1987
K-2-847	45931-86	pair SPRINGS, FRONT FORK, **SHOWA** BIG TWIN 1987-1996
A-45933-86	45933-86	pk-10 SPRINGS, DAMPER TUBES, **SHOWA** BIG TWIN 1987-PRESENT
K-2-826	45984-73	pair SPRINGS, FRONT FORK, **KAYABA** BIG TWIN 1973-1977, SPORTSTER 1973-1984
K-2-830	45987-77	pair SPRINGS, FRONT FORK, **SHOWA** BIG TWIN 1977-1982
K-2-845	46048-80	pair SPRINGS, FRONT FORK, **SHOWA** BIG TWIN 1980-1984
K-2-846	46048-84	pair SPRINGS, FRONT FORK, **SHOWA** BIG TWIN 1985-1999
K-2-822	46051-49A	pair SPRINGS, FRONT FORK, **H-D FORK** BIG TWIN 1949-1977
K-2-831	46052-80	pair SPRINGS, FRONT FORK, **SHOWA** BIG TWIN 1982-1983, SPORTSTER 1980-1982
K-2-823	46057-68	pair SPRINGS, FRONT FORK, **H-D FORK** SPORTSTER 1968-1970
K-2-824	46057-71	pair SPRINGS, FRONT FORK, **H-D FORK** BIG TWIN 1971-1972, SPORTSTER 1971-1972
A-46751-48	46751-48	pk-10 SPRINGS, STEERING DAMPER ADJUSTMENT SCREW, BIG TWIN 1949-1984
A-50005-85A	50005-85A	each SPRING, KICK STAND, **CHROME** BIG TWIN 1985-1998, SPORTSTER 1991-PRESENT
J-1-99	50011-30A	each SPRING, KICK STAND, **CHROME** BIG TWIN 1936-1984, SPORTSTER 1954-1984
J-1-79	50012-30	each SPRING, KICK STAND, **PARKERIZED** FORTY-FIVE 1930-1952 **MADE IN U.S.A.**
A-50057-90	50057-90	each SPRING, KICK STAND RETURN **ZINC PLATED** BIG TWIN 1991-1994
A-50057-90C	50057-90	each SPRING, KICK STAND RETURN **CHROME PLATED** BIG TWIN 1991-1994
A-56216-53	56216-53	pk-10 SPRINGS, HANDLE BAR END GRIP, BIG TWIN 1953-1974, SPORTSTER 1953-1974
A-56394-74	56394-74	pk-10 SPRINGS, THROTTLE ADJUSTING SCREW, BIG TWIN 1975-PRES., SPORT. 1974-PRES.
A-60640-29	60640-29	pk-10 SPRINGS, INNER PRIMARY COVER, BIG TWIN 1929-1957
A-62828-99	62828-99	pk-5 SPRINGS, BAFFEL SERPENTINE, BIG TWIN 1999-2008
A-63831-67	63831-67	pk-10 SPRINGS, OIL FILLER CUP, BIG TWIN 1967-1982, SPORTSTER 1967-1978
A-72017-39	72017-39	pk-10 SPRINGS, BRAKE LIGHT, **MECHANICAL** BIG TWIN 1939-1957

A-41769-58



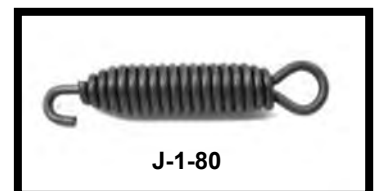
A-62828-99



A-60640-29



J-1-79



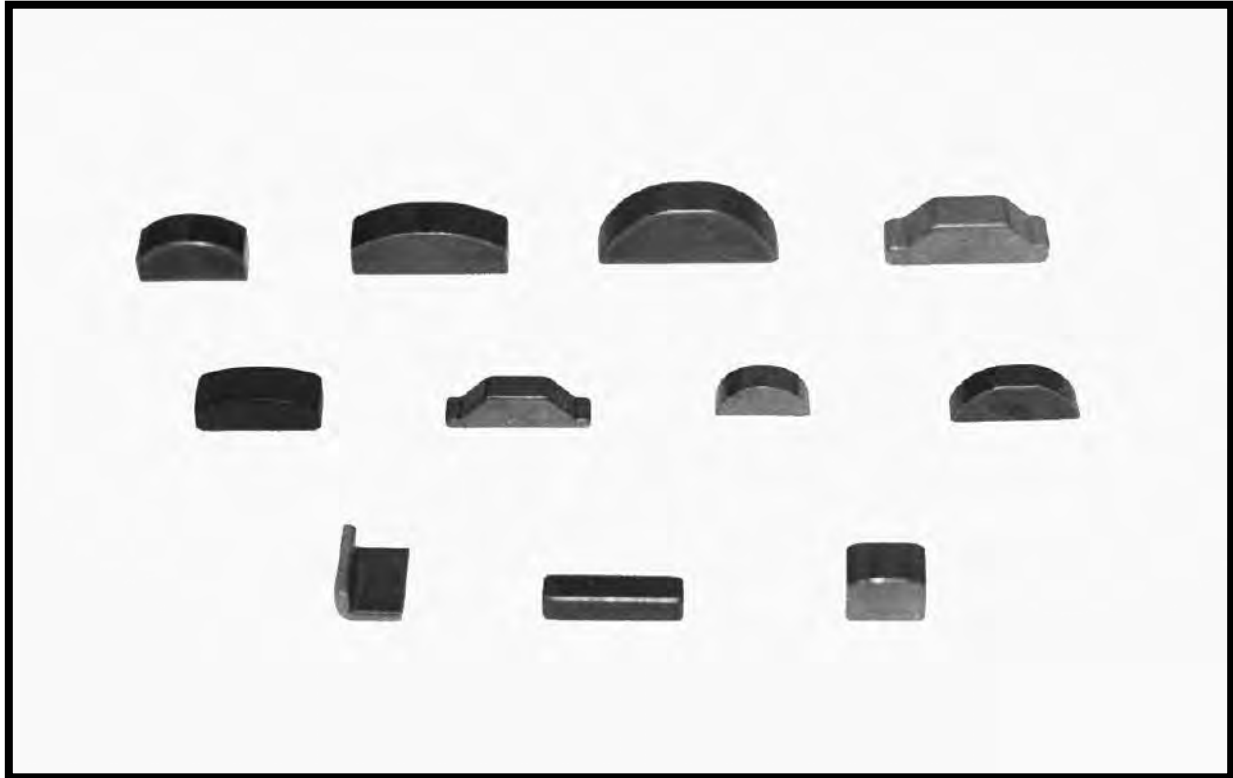
J-1-80

# **\*\*EASTERN MOTORCYCLE PARTS\*\***

## **\*\*KEYS\*\***

### **\*\*BIG TWIN-SPORTSTER\*\***

### **\*\*MASTER LISTING\*\***



**\*\*ALL KEYS ARE MADE IN U.S.A.\*\***

<u>EASTERN NUMBER</u>	<u>REPLACES OEM</u>		<u>DESCRIPTION</u>
A-11204	11204	pk-10	KEY, REAR INTAKE CAM GEAR, SPORTSTER 1980-1985
A-11218	11218	pk-10	KEY, CRANK PIN (COMMONIZED TAPER), BIG TWIN 1981-PRES, SPORTSTER 1981-PRES
A-11219	11219	pk-10	KEY, T-STYLE PINION GEAR **PINION SHAFT**, BIG TWIN 1990-PRES, SP 1986-PRES
A-11220	11220	pk-10	KEY, STARTER MOTOR SHAFT, BIG TWIN 1989-1990
41-0147	11317	pk-10	KEY, PINION GEAR, (SQUARE STYLE) SPORTSTER 2004-PRESENT
A-23985-12	23985-12	pk-10	KEY, GEAR & SPROCKET SHAFT, BIG TWIN 1930-1981, SP. 1954-1981
A-23985-18	23985-18	pk-10	KEY, CRANK PIN TO FLYWHEELS, BIG TWIN 1936-1981, SP. 1954-1981
A-23985-54	23985-54	pk-10	KEY, PINION SHAFT & OIL PUMP GEAR, BIG TWIN 1954-1981
A-23985-56	23985-56	pk-10	KEY, FLYWHEEL SPROCKET SHAFT, BIG TWIN 1955-1971
A-26340-36	26340-36	pk-10	KEY, OIL PUMP DRIVE SHAFT (SMALL), BIG TWIN 1936-1967, SPORTSTER 1960-1971
A-26348-15	26348-15	pk-10	KEY, OIL PUMP & PINION SHAFT, BIG TWIN 1936-1999, SPORTSTER 1972-1976
A-33393-50	33393-50	pk-10	KEY, STARTER CLUTCH **MAINSHAFT** (TRANSMISSION), BIG TWIN 1937-1986
A-35175-38	35175-38	pk-10	KEY, DRIVE GEAR SPACER **4-SPEED**, BIG TWIN 1937-1977
A-35195-26	35195-26	pk-10	KEY, MAINSHAFT SPROCKET **4-SPEED**, FORTY-FIVE 1926-1973
A-37523-15	37523-15	pk-10	KEY, CLUTCH HUB (MAINSHAFT), BIG TWIN 1937-1984
A-37523-85	37523-85	pk-10	KEY, CLUTCH HUB (MAINSHAFT), BIG TWIN 1985-1989

# **\*\*EASTERN MOTORCYCLE PARTS\*\***

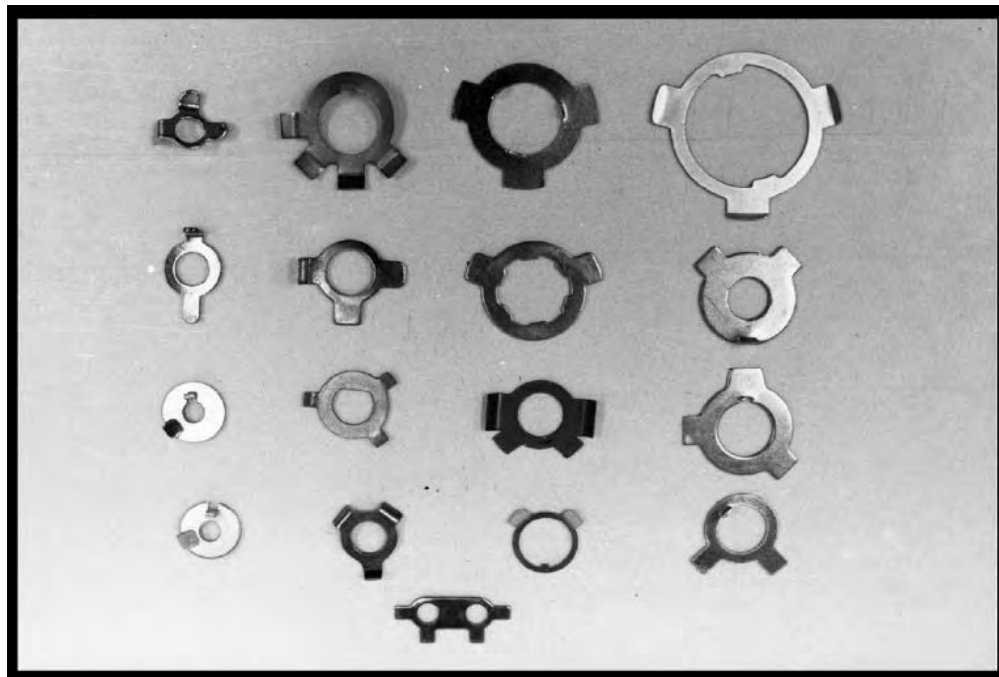
## **\*\*LOCK TABS\*\***

### **\*\*BIG TWIN-SPORTSTER\*\***

### **\*\*MASTER LISTING\*\***



**A-29168-83A**



<b><u>EASTERN NUMBER</u></b>	<b><u>REPLACES OEM</u></b>	<b><u>DESCRIPTION</u></b>
A-7044	7044A	pk-10 LOCK TAB, PINION SHAFT NUT, SPORTSTER 1977-1987
A-7402	7402	pk-10 LOCK TAB, INNER PRIMARY COVER, BIG TWIN 1980-1986
A-23982-12	23982-12	pk-10 LOCK PLATES, CRANK PIN NUTS, FORTY-FIVE 1929-1973
A-24015-36	24015-36	pk-10 LOCK PLATES, PINION SHAFTS & SPROCKET SHAFTS, BIG TWIN 1937-1971
A-24016-29	24016-29	pk-5 LOCK PLATES, PINION SHAFTS & SPROCKET SHAFTS, FORTY-FIVE 1929-1973
A-24018-72	24018-72	pk-5 LOCK PLATES, SPROCKET SHAFT, BIG TWIN 1972-1986
A-25448-84	25448-84	pk-10 LOCK TAB, CLUTCH RAMP, SPORTSTER 1984-1993
A-29168-83A	29168-83A	each LOCK TAB, AIR CLEANER, SPORTSTER 1979-1986
A-33082-16	33082-16	pk-10 LOCK TAB, COUNTERSHAFT & STARTER CRANK, BIG TWIN 1936-1979
A-33125-89	33125-89	pk-10 LOCK TAB, STARTER SHAFT BOLT, **STARTER MOTOR** BIG TWIN 1989-1990
A-33126-90	33126-90	pk-10 LOCK TAB, STARTER SHAFT BOLT, **STARTER MOTOR** BIG TWIN 1990-1992
A-33126-93	33126-93	pk-10 LOCK TAB, STARTER SHAFT BOLT, **STARTER MOTOR** BIG TWIN 1993-ONLY
A-33126-94	33126-94	pk-10 LOCK TAB, STARTER SHAFT BOLT, **STARTER MOTOR** BIG TWIN 1994-2006
A-33197-79	33197-79	pk-10 LOCK TAB, PLUNGER BODY BOLT, **TRANSMISSION** BIG TWIN 1979-1984
A-33318-85	33318-85	pk-10 LOCK TAB, INNER PRIMARY COVER, BIG TWIN 1987-2004
A-33335-79	33335-79	pk-10 LOCK TAB, SPROCKET **5-SPEED TRANSMISSION** BIG TWIN 1980-1983
A-33362-52	33362-52	pk-10 LOCK TAB, STARTER GEAR NUT, SPORTSTER 1954-1979
A-33396-39	33396-39	pk-10 LOCK TAB, STARTER CLUTCH NUT, BIG TWIN 1941-1979
A-34066-52	34066-52	pk-10 LOCK TAB, CAM FOLLOWER, BIG TWIN 1952-1979
A-34067-52	34067-52	pk-10 LOCK TAB, SHIFTER CAM, SPORTSTER 1952-1985
A-34069-71	34069-71	pk-10 LOCK TAB, SHIFTER CAM BOLT, SPORTSTER 1955-1990

**\*\*CONTINUED ON NEXT PAGE\*\***

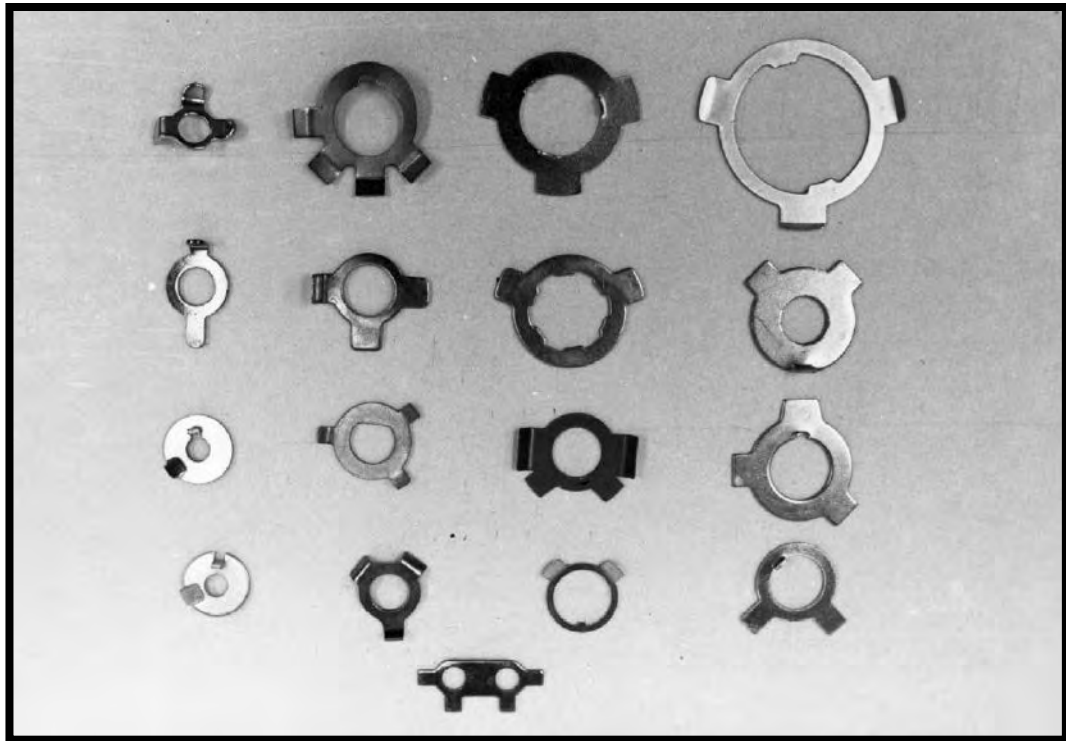


# **\*\*EASTERN MOTORCYCLE PARTS\*\***

## **\*\*LOCK TABS\*\***

**\*\*BIG TWIN-SPORTSTER\*\***

**\*\*MASTER LISTING\*\***



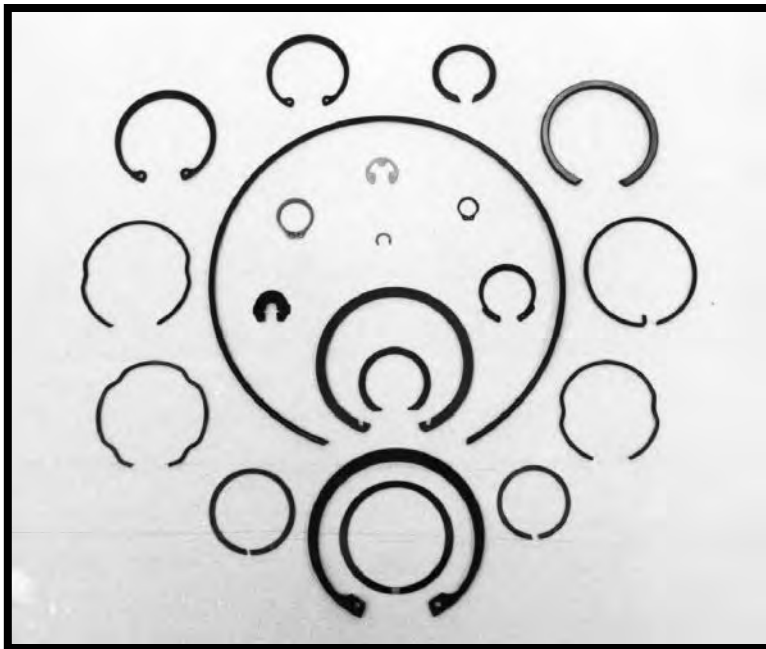
<u>EASTERN NUMBER</u>	<u>REPLACES OEM</u>	<u>DESCRIPTION</u>
A-34180-33	34180-33	pk-10 LOCK TAB, SHIFTER FORK NUTS, BIG TWIN 1955-1986
A-35050-40	35050-40	pk-10 LOCK TAB, MAINSHAFT BEARING NUT, BIG TWIN 1936-1986
A-35050-52	35050-52	pk-10 LOCK TAB, MAINSHAFT SPROCKET NUT, SPORTSTER 1954-1985
A-35216-26	35216-26	pk-10 LOCK TAB, MAINSHAFT SPROCKET NUT, FORTY-FIVE 1926-1973
A-35216-36	35216-36	pk-10 LOCK TAB, MAINSHAFT SPROCKET NUT, BIG TWIN 1937-1983
A-37462-41	37462-41	pk-5 LOCK TAB, CLUTCH GEAR NUT, FORTY-FIVE 1941-1973
A-37503-41	37503-41	pk-10 LOCK TAB, CLUTCH HUB NUT, BIG TWIN 1941-1986
A-37533-52A	37533-52A	pk-10 LOCK TAB, CLUTCH HUB NUT, SPORTSTER 1954-1984
A-39996-65	39996-65	pk-10 LOCK TAB, CHAIN TENSIONER PLATE, BIG TWIN 1965-2000
A-39998-65	* 39998-65	kit KIT, PRIMARY CHAIN TENSIONER PLATE, BIG TWIN 1965-2000
A-47513-58	47513-58	pk-10 LOCK TAB, PIVOT BOLT, **REAR SWING ARM** BIG TWIN 1958-1984
A-47525-52	47525-52	pk-10 LOCK PLATE, BEARING NUT, **REAR FORK** SPORTSTER 1952-1981
A-59166-80	59166-80	pk-10 LOCK PLATE, FRONT FENDER MOUNT, **ZINC PLATED** BIG TWIN 1980-2013
A-60654-55	60654-55	pk-10 LOCK TAB, INNER PRIMARY COVER, BIG TWIN 1955-1964

# **\*\*EASTERN MOTORCYCLE PARTS\*\***

## **\*\*RETAINING RINGS\*\***

### **\*\*BIG TWIN-SPORTSTER\*\***

#### **\*\*MASTER LISTING\*\***



<b>EASTERN NUMBER</b>	<b>REPLACES OEM</b>	<b>DESCRIPTION</b>
A-9119A	9119A pk-10	RETAINING RING, MOTOR BEARING, (LEFT SIDE) SPORTSTER 1977-PRESENT
42-0102	10984 pk-10	RETAINING RING, MAINSHAFT, 5th GEAR, **5-SPEED** SPORTSTER 2007-PRESENT
A-10991	10991 pk-10	RETAINING RING, MAIN DRIVE GEAR, **6-SPEED** BIG TWIN 2006-PRESENT
A-10998	10998 pk-10	RETAINING RING, CLUTCH RAMP, **5-SPEED** BIG TWIN 1987-PRESENT
A-11000	11000 pk-10	RETAINING RING, RELEASE FINGER, BIG TWIN 1937-1984
A-11002	11002 pk-10	RETAINING RING, OIL PUMP SHAFT, BIG TWIN 1970-PRES., SPORTSTER 1956-PRES.
A-11004	11004 pk-10	RETAINING RING, GENERATOR END, BIG TWIN 1958-1969, SPORTSTER 1958-1980
A-11005	11005 pk-10	RETAINING RING, CLUTCH ADJUSTMENT SCREW, BIG TWIN 1991-99, SPORT. 1971-1984
A-11006	11006 pk-10	RETAINING RING, MAINSHAFT BALL BEARING, **INNER** SPORTSTER 1985-1990
A-11007	11007 pk-10	RETAINING RING, PINION SHAFT BEARING & CAGES, BIG TWIN 1958-1986
A-11012	11012 pk-10	RETAINING RING, OIL TANK CAP, BIG TWIN 1966-1982, SPORTSTER 1966-1978
A-11013	11013 pk-10	RETAINING RING, CHOKE CABLE, **E-CLIP** BIG TWIN 1978-1989
A-11015	11015 pk-10	RETAINING RING, MASTER CYLINDER, **FRONT HANDLE** B/T 1972-1981, SP. 1973-'81
A-11016	11016 pk-10	RETAINING RING, SHIFTER LEVER PIN, **5-SPEED** BIG TWIN 1980-2001
A-11019	11019 pk-10	RETAINING RING, CLUTCH LEVER STUD & DETENT PLATE, B/T 1980-1986, SP. 1991-P.
A-11020	11020 pk-10	RETAINING RING, BEARING HOUSING, **5-SPEED** BIG TWIN 1980-1993
A-11027	11027 pk-10	RETAINING RING, FRONT & REAR WHEELS, BIG TWIN 1973-1999, SPORTSTER 1979-'99
A-11031	11031 pk-10	RETAINING RING, FOOT SHIFT LEVER & PIVOT PIN, B/T 1965-1973, SPORT. 1977-1979
A-11035	11035 pk-10	RETAINING RING, FRONT WHEEL, SPORTSTER 1964-1972
A-11036	11036 pk-10	RETAINING RING, SHIFTER FORK SHAFT, BIG TWIN 1976-1986, SPORTSTER 1972-1990
A-11037	11037 pk-10	RETAINING RING, CLUTCH ROD END, **MOUSE TRAP** BIG TWIN 1952-1978
A-11039	11039 pk-10	RETAINING RING, STARTER COLLAR, BIG TWIN 1965-1988, SPORTSTER 1967-1980
A-11045	11045 pk-10	RETAINING RING, CLUTCH GUIDE, **BEARING** SPORTSTER 1984-1990
A-11046	11046 pk-10	RETAINING RING, CLUTCH ADJUSTMENT SCREW, SPORTSTER L/1984-PRESENT
A-11048	11048 pk-10	RETAINING RING, SLIDER TUBES, SPORTSTER 1968-1972
A-11052	11052 pk-10	RETAINING RING, CLUTCH HUB BEARING, **CLUTCH SHELL** SPORTSTER 1971-1984
A-11053	11053 pk-10	RETAINING RING, DRIVE PLATES, **CLUTCH SHELL** SPORTSTER 1971-1984
A-11057	11057 pk-10	RETAINING RING, MAINSHAFT BALL BEARING, **5-SPEED** BIG TWIN 1980-1984

# **\*\*EASTERN MOTORCYCLE PARTS\*\***

## **\*\*RETAINING RINGS\*\***

### **\*\*BIG TWIN-SPORTSTER\*\***

#### **\*\*MASTER LISTING\*\***

<b><u>EASTERN NUMBER</u></b>	<b><u>REPLACES OEM</u></b>	<b><u>DESCRIPTION</u></b>
42-0100	11061	pk-10 RETAINING RING, MAIN DRIVE GEAR, **6-SPEED** BIG TWIN 2006-PRESENT
A-11063	11063	pk-10 RETAINING RING, MASTER CYLINDER **FRONT** BIG TWIN 1972-1981, SPORT. 1973-'81
A-11067	11067	pk-10 RETAINING RING, MAIN & COUNTERSHAFT, BIG TWIN 1980-PRES., SPORT. 1991-PRES.
A-11083	11083	pk-10 RETAINING RING, SHIFTER CAM, **5-SPEED** BIG TWIN 1980-PRESENT
A-11085	11085	pk-10 RETAINING RING, CHAIN PAD, **6-SPEED** BIG TWIN 2006-2006
A-11093	11093	pk-10 RETAINING RING, FOOT REST, **BRAKE ARM** (L/SIDE) SPORTSTER 1980-PRESENT
A-11096	11096	pk-10 RETAINING RING, CLUTCH PUSH ROD, **4 & 5 SPEED** (3/4 RING) BIG TWIN 1975-P.
A-11096A	11096	pk-10 RETAINING RING, CLUTCH PUSH ROD, **4 & 5 SPEED** (FULL RING) BIG TWIN 1975-P.
A-11121	11121	pk-10 RETAINING RING, MASTER CYLINDER REPAIR KIT **REAR BRAKE** SPORT. 2004-PRES
A-11143	11143	pk-10 RETAINING RING, HAND LEVERS, **PIVOT PIN** BIG TWIN 1982-1995., SPORT. 1982-'03
A-11150	11150	pk-10 RETAINING RING, SHIFTER ROD LEVER, **5-SPEED** BIG TWIN 1984-PRESENT
A-11155	11155	pk-10 RETAINING RING, THROTTLE SCREW, BIG TWIN 1975-PRES., SPORTSTER 1979-PRES.
A-11158	11158	pk-10 RETAINING RING, REAR FORK BEARING, **SWING ARM** BIG TWIN 1987-1996
A-11160A	11160A	pk-10 RETAINING RING, MOTOR BEARING, (LEFT SIDE) BIG TWIN 1983-PRESENT
A-11161	11161	pk-5 RETAINING RING, MAINSHAFT BALL BEARING, **5-SPEED** B/T 1984-P., SP. 1991-2005
A-11164	11164	pk-10 RETAINING RING, CLUTCH HUB BEARING, SPORTSTER 1984-1990
A-11175	11175	pk-10 RETAINING RING, FRONT WHEEL HUB CAP, **FLST ONLY** BIG TWIN 1986-1996
A-11177	11177	pk-10 RETAINING RING, PINION SHAFT, BIG TWIN 1987-1993, SPORTSTER 1987-1994
A-11177A	11177A	pk-10 RETAINING RING, PINION SHAFT, BIG TWIN 1994-PRESENT, SPORTSTER 1995-PRES.
A-11180	11180	pk-10 RETAINING RING, MAINSHAFT BALL BEARING, **OUTER** SPORTSTER 1984-1990
A-11182	11182	pk-10 RETAINING RING, STARTER SHAFT COUPLING, BIG TWIN 1989-2006
A-11183	11183	pk-10 RETAINING RING, STARTER SHAFT COUPLING, BIG TWIN 1989-1993
A-11185	11185	pk-10 RETAINING RING, SHIFTER PAWL, **5-SPEED** SPORTSTER 1991-PRESENT
A-11248	11248	pk-10 RETAINING RING, STARTER SHAFT COUPLING, BIG TWIN 1994-2006
A-11250	11250	pk-10 RETAINING RING, CLUTCH RAMP, SPORTSTER 1994-PRESENT
A-11271	11271	pk-25 RETAINING RING, IDLE CONTROL, BIG TWIN 1996-2007, SPORTSTER 1996-PRESENT
A-11272	11272	pk-25 RETAINING RING, THROTTLE CONTROL, BIG TWIN 1996-2007 SPORTSTER 1996-PRES.
A-11282	11282	pk-10 RETAINING RING, REAR FORK SWING ARM, BIG TWIN 2000-PRESENT
A-11302	11302	pk-10 RETAINING RING, SHIFTER AND BRAKE, BIG TWIN 1999-2003
A-11304	11304	pk-10 RETAINING RING, REAR BRAKE CONTROL, SPORTSTER 2004-PRESENT
A-11319A	11319A	pk-10 RETAINING RING, SHIFTER CAM SUPPORT, BIG TWIN 2000-PRESENT
A-11335K	11335K	pk-10 RETAINING RING, BALANCE SHAFT, V-ROD 2002-PRESENT
A-11342	11342	pk-10 RETAINING RING, SHIFTER CAM END, BIG TWIN 2001-2006
A-11355K	11355K	pk-10 RETAINING RING, SHIFTER SHAFT, V-ROD 2002-PRESENT
42-0104	11360	pk-10 RETAINING RING, SHIFTER CAM, SPORTSTER 2004-PRESENT
A-11363K	11363K	pk-10 RETAINING RING, CLUTCH HUB NUT, V-ROD 2002-PRESENT
A-11379	11379	pk-10 RETAINING RING, FRONT BRAKE LEVER PIVOT PIN, SPORTSTER 2004-PRESENT
42-0105	11389	pk-10 RETAINING RING, SHIFTER CAM **6-SPEED** BIG TWIN 2006-PRESENT
A-11390	11390	pk-10 RETAINING RING, REAR BRAKE CONTROL, SPORTSTER 2004-PRESENT
A-11461	11461	pk-10 RETAINING RING, OUTER CAM, **6-SPEED** BIG TWIN 2006-PRESENT
A-11494	11494	pk-10 RETAINING RING, OUTER CAM BEARING, **2-CAM** BIG TWIN 1999-2006
42-0115	11575	pk-10 RETAINING RING, SHIFTER CAM RIGHT SIDE **6-SPEED** BIG TWIN 2006-PRESENT
A-18105-79	18105-79	pk-10 RETAINING RING, VALVE GUIDES, BIG TWIN 1980-E/1981
42-0300	16699-06	pk-10 RETAINING RING, VALVE GUIDE, BIG TWIN 200-PRESENT, SPORTSTER 2010-PRESENT
A-22097-99	22097-99	pk-10 RETAINING RING, PISTON PINS, BIG TWIN 1999-PRESENT
A-22121-01K	22121-01K	pk-10 RETAINING RING, PISTON PINS,SPORTSTER 2006-PRESENT
A-22581-32	22581-32	pk-10 RETAINING RING, PISTON PINS, BIG TWIN 1936-1972, FORTY-FIVE 1932-1973
A-22582-52	22582-52	pk-10 RETAINING RING, PISTON PINS, BIG TWIN 1973-1977, SPORTSTER 1957-1977
A-22588-78	22588-78	pk-10 RETAINING RING, PISTON PINS, BIG TWIN 1977-1983, SPORTSTER 1977-1985
A-22589-83A	22589-83A	pk-10 RETAINING RING, PISTON PINS, BIG TWIN 1984-1999, SPORTSTER 1985-PRES.
A-24701-39	24701-39	pk-10 RETAINING RING, CASE BUSHING, FORTY-FIVE 1939-1973
A-24701-52	24701-52	pk-10 RETAINING RING, SPROCKET SHAFT, SPORTSTER 1954-1976

# **\*\*EASTERN MOTORCYCLE PARTS\*\***

## **\*\*RETAINING RINGS\*\***

### **\*\*BIG TWIN-SPORTSTER\*\***

#### **\*\*MASTER LISTING\*\***

<b>EASTERN NUMBER</b>	<b>REPLACES OEM</b>		<b>DESCRIPTION</b>
A-24701-54	24701-54	pk-10	RETAINING RING, GEAR SHAFT, SPORTSTER 1954-1976
A-24702-40	24702-40	pk-10	RETAINING RING, CASE BUSHING, BIG TWIN 1940-1954, SIDE VALVE 1940-1948
A-24779-55	24779-55	pk-10	RETAINING RING, LEFT BEARING, **IN CASE** BIG TWIN 1955-1968
A-25810-15	25810-15	pk-10	RETAINING RING, IDLER & CIRCUIT BREAKER STUDS, B/T 1936-1969, F/F 1932-1973
A-26348-36	26348-36	pk-10	RETAINING RING, OIL PUMP SHAFT, BIG TWIN 1936-1999
A-26497-75	26497-75	pk-10	RETAINING RING, OIL PUMP SHAFT, SPORTSTER 1977-1990
A-27124-89	27124-89	pk-10	RETAINING RING, CARBURETOR, **E-CLIP** BIG TWIN 1990-2006, SPORT. 1989-2006
A-32592-36	32592-36	pk-5	RETAINING CLIP, DISTRIBUTOR COVER <b>**CHROME**</b> B/T 1936-1964, SPORT. 1954-1964
A-33653-90	33653-90	pk-10	RETAINING RING, DETENT ARM, <b>**5-SPEED**</b> SPORTSTER 1991-PRESENT
A-34040-52	34040-52	pk-10	RETAINING RING, SHIFTER CAM, <b>**4-SPEED**</b> BIG TWIN 1979-1986, SPORT. 1952-1990
A-35021-89	35021-89	pk-10	RETAINING RING, ACCESS DOOR, COUNTERSHAFT, <b>**5-SPEED**</b> SPORT. 1991-PRES.
A-35038-89	35038-89	pk-10	RETAINING RING, ACCESS DOOR, MAINSHAFT, <b>**5-SPEED**</b> SPORTSTER 1991-PRES.
A-35087-99A	35087-99A	pk-10	RETAINING RING, ACCESS DOOR, BIG TWIN 1999-PRESENT
A-35112-52	35112-52	pk-10	RETAINING RING, MAINSHAFT BALL BEARING, <b>**OUTER**</b> SPORTSTER 1954-E/1984
A-35112-84	35112-84	pk-10	RETAINING RING, MAINSHAFT BALL BEARING, <b>**OUTER**</b> SPORTSTER 1984-1985
A-35113-52	35113-52	pk-10	RETAINING RING, MAINSHAFT ROLLERS, <b>**TRANSMISSION**</b> SPORTSTER 1954-1984
A-35114-02	35114-02	pk-10	RETAINING RING, MAIN BEARING, RIGHT SIDE <b>**2-CAM**</b> BIG TWIN 2003-PRESENT
A-35115-99	35115-99	pk-10	RETAINING RING, MAIN BEARING, RIGHT SIDE <b>**2-CAM**</b> BIG TWIN 1999-PRESENT
A-35118-03	35118-03	pk-10	RETAINING RING, MAIN BEARING, SPORTSTER 2004-PRESENT
A-35129-36	35129-36	pk-10	RETAINING RING, MAINSHAFT RACE, <b>**4-SPEED**</b> BIG TWIN 1937-1977
42-0500	35240-07	pk-10	RETAINING RING, BALANCER SHIFT BEARING, BIG TWIN 2007-PRESENT
A-35337-36	35337-36	pk-10	RETAINING RING, MAINSHAFT, THIRD GEAR, <b>**4-SPEED**</b> BIG TWIN 1936-1985
A-35337-56	35337-56	pk-10	RETAINING RING, MAINSHAFT, THIRD GEAR, <b>**4-SPEED**</b> SPORTSTER 1956-1990
A-35810-36	35810-36	pk-10	RETAINING RING, COUNTERSHAFT, SECOND GEAR, <b>**4-SPEED**</b> BIG TWIN 1937-1984
A-35920-36	35920-36	pk-10	RETAINING RING, COUNTERSHAFT BEARINGS, BIG TWIN 1937-1977
A-36795-84	36795-84	pk-10	RETAINING RING, CLUTCH HUB SHELL, SPORTSTER 1984-1990
A-36797-84	36797-84	pk-10	RETAINING RING, CLUTCH PRESSURE PLATE, SPORTSTER 1984-1990
A-36798-84	36798-84	pk-10	RETAINING RING, CLUTCH HUB, SPORTSTER 1984-1990
A-37354-41	37354-41	pk-10	RETAINING RING, PUSH ROD GUIDE, FORTY-FIVE 1941-1973
A-37904-84	37904-84	pk-10	RETAINING RING, CLUTCH BEARING, <b>**5-SPEED**</b> BIG TWIN 1984-1989
A-37904-90	37904-90	pk-5	RETAINING RING, CLUTCH BEARING, <b>**5-SPEED**</b> BIG TWIN 1990-1999, SPORT. 1991-P.
A-37905-00	37905-00	pk-5	RETAINING RING, CLUTCH BEARING, <b>**5-SPEED**</b> BIG TWIN 2000-PRESENT
A-37905-84	37905-84	pk-10	RETAINING RING, CLUTCH BEARING, <b>**5-SPEED**</b> BIG TWIN 1984-1990
A-37905-90	37905-90	pk-5	RETAINING RING, CLUTCH BEARING, <b>**5-SPEED**</b> BIG TWIN 1990-1999, SPORT 1991-P.
A-37907-84	37907-84	pk-10	RETAINING RING, PRESSURE PLATE, <b>**5-SPEED**</b> BIG TWIN 1984-1989
A-37908-90	37908-90	pk-5	RETAINING RING, CLUTCH PRESSURE PLATE, BIG TWIN 1990-1997, SPORT 1991-PRES.
A-37909-90	37909-90	pk-5	RETAINING RING, CLUTCH PRESSURE PLATE, BIG TWIN 1990-PRES, SPORT 1991-P.
A-40903-87	40903-87	pk-10	RETAINING RING, REAR BRAKE CONTROL SPRING, BIG TWIN 1987-99, SPORT. 1987-03
A-40918-82	40918-82	pk-10	RETAINING RING, REAR BRAKE CONTROL, BIG TWIN 1983-1987, SPORTSTER 1982-'87
A-40918-87	40918-87	pk-10	RETAINING RING, REAR BRAKE CONTROL, BIG TWIN 1987-2007, SPORTSTER 1987-'90
42-0108	43554-35	pk-10	RETAINING RING, STEEL RETAINER <b>**STAR HUB**</b> BIG TWIN 1937-1966
A-44021-83	44021-83	pk-10	RETAINING RING, BRAKE CALIPER PISTON, (FRONT) BIG TWIN 1984-1999, SP. 1984-'99
A-45611-86	45611-86	pk-10	RETAINING RING, NECK POST, <b>**FRONT FORKS**</b> BIG TWIN 1987-1996, SP. 1988-PRES
A-45842-77	45842-77	pk-10	RETAINING RING, TOP SLIDER TUBE, <b>**OIL SEAL**</b> BIG TWIN 1977-1984
A-45847-84	45847-84	pk-10	RETAINING RING, FRONT FORK, <b>**OIL SEAL**</b> BIG TWIN 1984-1996
A-45856-48	45856-48	pk-10	RETAINING RING, TOP SLIDER TUBE, <b>**OIL SEAL**</b> BIG TWIN 1949-1977
A-45905-87	45905-87	pk-10	RETAINING RING, TOP SLIDER TUBE, <b>**OIL SEAL**</b> BIG TWIN 1987-1999, SP. 1988-2009
A-45908-80	45908-80	pk-10	RETAINING RING, TOP SLIDER TUBE, <b>**OIL SEAL**</b> BIG TWIN 1980-1987, SP. 1979-1985
A-46172-48	46172-48	pk-10	RETAINING RING, SLIDER TUBE, (LOWER) BIG TWIN 1949-1977
A-60678-85	60678-85	pk-10	RETAINING RING, INNER PRIMARY COVER, <b>**BEARING**</b> BIG TWIN 1985-PRESENT
A-65045-01	65045-01	pk-10	RETAINING RING, EXHAUST GASKET, V-ROD 2002-PRESENT
A-65325-83A	65325-83A	pk-10	RETAINING RING, EXHAUST GASKET, BIG TWIN 1984-PRESENT, SPORTSTER 1986-P.

# **\*\*EASTERN MOTORCYCLE PARTS\*\***

## **\*\*BALL BEARINGS\*\***

### **\*\*BIG TWIN-SPORTSTER\*\***



#### **EASTERN NUMBER**

#### **REPLACES OEM**

#### **DESCRIPTION**

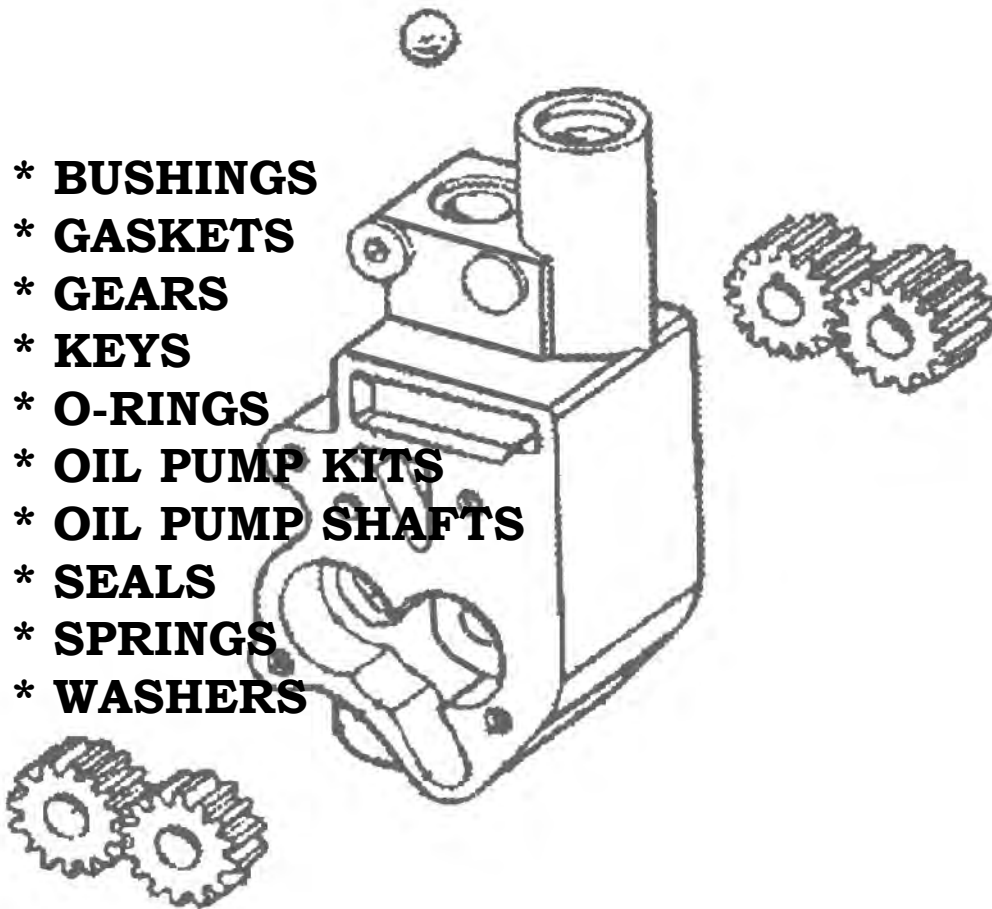
A-8852	8852	pk-25	BALL BEARINGS, **5/32" DIAMETER**
A-8854	8854	pk-25	BALL BEARINGS, **3/16" DIAMETER**
A-8856A	8856A	pk-25	BALL BEARINGS, **7/32" DIAMETER**
A-8858	8858	pk-25	BALL BEARINGS, **1/4" DIAMETER**
A-8860	8860	pk-25	BALL BEARINGS, **5/16" DIAMETER**
A-8866	8866	pk-25	BALL BEARINGS, **3/8" DIAMETER**
A-8872	8872	pk-25	BALL BEARINGS, **1/2" DIAMETER**
A-8873	8873	pk-25	BALL BEARINGS, **3/8" DIAMETER**
A-8879	8879	pk-25	BALL BEARINGS, **11/32" DIAMETER**
A-27406-26	27406-26	pk-25	BALL BEARINGS, **1/8" DIAMETER**
35-0900		kit-9	BALL BEARINGS, 9-SIZES, **5/32" TO 1/2" DIAMETER**

**KIT INCLUDES: (25ea) 8852, 8854, 8856A, 8858, 8860, 8872, 8873, 8879, 27406-26**

**\*\*OIL PUMP\*\***

**\*\*LINE DRAWINGS\*\***

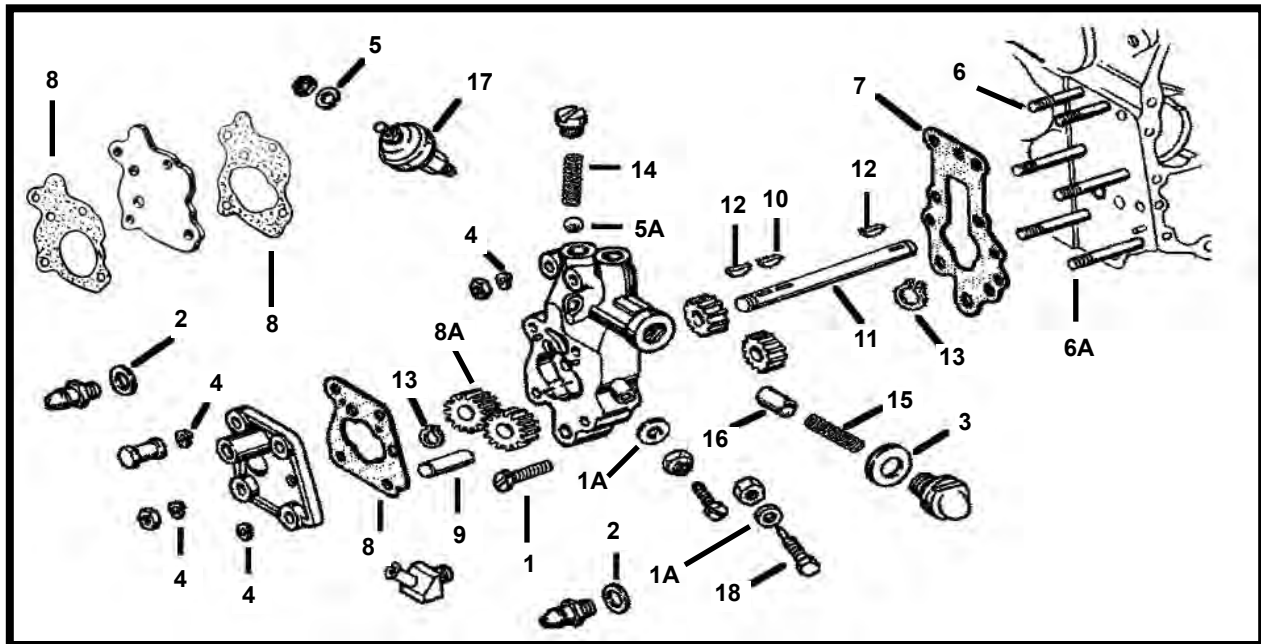
- \* BUSHINGS
- \* GASKETS
- \* GEARS
- \* KEYS
- \* O-RINGS
- \* OIL PUMP KITS
- \* OIL PUMP SHAFTS
- \* SEALS
- \* SPRINGS
- \* WASHERS



# \*\*EASTERN MOTORCYCLE PARTS\*\*

## \*\*OIL PUMP\*\*

### \*\*BIG TWIN 1936-1967\*\*



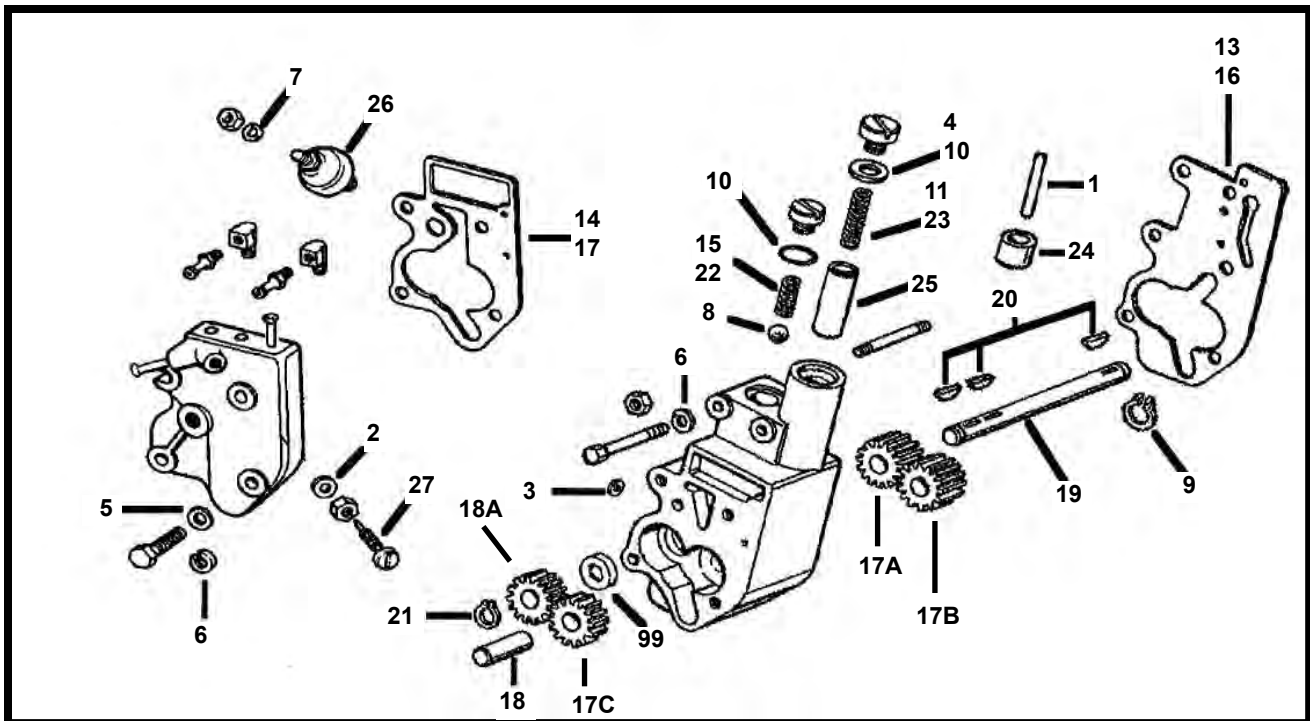
<u>DIAGRAM NUMBER</u>	<u>EASTERN NUMBER</u>	<u>REPLACES OEM</u>	<u>DESCRIPTION</u>
1	A-1397	1397	pk-5 SCREW, OIL PUMP MOUNTING BODY, BIG TWIN 1936-1947
1A	A-6156	6156	pk-10 WASHER, (BRASS) CHAIN OILER SCREW, BIG TWIN 1941-1969
2	A-6377	6377	pk-10 WASHER, (BRASS) OIL PUMP PLUG, BIG TWIN L/1950-1986
3	A-6581	6581	pk-10 WASHER, (BRASS) RELIEF VALVE PLUG, BIG TWIN 1954-1978
4	36-0198	7036	pk-100 LOCK-WASHER, REGULAR 1/4" <b>**ZINC PLATED**</b>
5	36-0262	7069	pk-100 LOCK-WASHER, REGULAR # 10 <b>**ZINC PLATED**</b>
5A	A-8866	8866	pk-25 BALL BEARING, 3/8" OIL PUMP CHECK VALVE, BIG TWIN 1937-PRES.
6	A-24819-36	24819-36	pk-5 STUDS, OIL PUMP MOUNTING <b>**1-11/16 LONG**</b> BIG TWIN 1937-1973
6A	A-24820-36	24820-36	pk-5 STUDS, OIL PUMP MOUNTING <b>**2-1/4" LONG**</b> BIG TWIN 1937-1973
7	L-3-929	26245-41	pk-10 GASKET, OIL PUMP, TO CRANKCASE, (PAPER) BIG TWIN 1941-1967
8	L-3-922	26255-41	pk-10 GASKET, OIL PUMP, OUTER COVER, (PAPER) BIG TWIN 1941-E/1950
	L-3-930	26257-41	pk-10 GASKET, OIL PUMP, OUTER COVER, (PAPER) BIG TWIN 1936-E/1950
	L-3-928	26257-50A	pk-10 GASKET, OIL PUMP, OUTER COVER, (PAPER) BIG TWIN 1950-1967
8A	V-13-166	26315-48	each GEAR, OIL PUMP, FEED SIDE, BIG TWIN 1948-1967 <b>MADE IN U.S.A.</b>
	V-13-170	26317-62A	each GEAR, OIL PUMP, RETURN SIDE, BIG TWIN 1962-1967 <b>**U.S.A.**</b>
	V-13-176	26326-62A	each GEAR, OIL PUMP, IDLER, BIG TWIN L/1962-1967 <b>**MADE IN U.S.A.**</b>
	V-13-177	26328-74	each GEAR, OIL PUMP, FEED, BIG TWIN 1941-1999 <b>**MADE IN U.S.A.**</b>
9	A-26327-52	26327-52	each IDLER GEAR SHAFT, OIL PUMP, BIG TWIN 1962-1967
	A-26328-41	26328-41	each IDLER GEAR SHAFT, OIL PUMP, BIG TWIN 1941-1966
10	A-26340-36	26340-36	pk-10 KEY, OIL PUMP DRIVE SHAFT, (SMALL) BIG TWIN 1936-1967
11	A-26346-36	26346-36	each OIL PUMP DRIVE SHAFT, BIG TWIN 1936-1967
12	A-26348-15	26348-15	pk-10 KEY, OIL PUMP DRIVE SHAFT, BIG TWIN 1936-1999
13	A-26348-36	26348-36	pk-10 RETAINING RING, OIL PUMP SHAFT, BIG TWIN 1936-1999
14	A-26363-36	26363-36	pk-10 SPRING, OIL PUMP CHECK VALVE, BIG TWIN 1937- 1980
	A-26363-56	26363-56	pk-10 SPRING, OIL PUMP CHECK VALVE, BIG TWIN 1956- 1965
15	A-26374-54	26374-54	pk-10 SPRING, OIL PUMP RELIEF VALVE, BIG TWIN 1954-1972
16	A-26400-54	26400-54	each PLUNGER, OIL PUMP RELIEF VALVE, BIG TWIN L/1954- E/1982
17	A-26551-39A	26551-39A	each OIL PRESSURE SWITCH, BIG TWIN 1939-1984
	A-26552-72	26552-72	each OIL PRESSURE SWITCH (ACCEL), BIG TWIN 1941-1984
18	A-63610-70	63610-70	pk-5 ADJUSTING SCREW, PUMP BODY, HEX HEAD B/T 1941-'64/1968-E/'72
	A-26383-32	63614-72	pk-5 ADJUSTING SCREW, OIL PUMP BODY, ROUND HEAD, B/T 1933-1983

\*5120 HILDA ROAD\* BLACKVILLE, S.C. 29817\* 803-284-3304\*

# **\*\*EASTERN MOTORCYCLE PARTS\*\***

## **\*\*OIL PUMP\*\***

**\*\*BIG TWIN 1968-1984\*\***



**\*\*EASTERN'S OIL PUMP GEARS AND SHAFTS ARE MADE IN U.S.A.\*\***

<u>DIAGRAM NUMBER</u>	<u>EASTERN NUMBER</u>	<u>REPLACES OEM</u>	<u>DESCRIPTION</u>
1	A-223	223	pk-25 DOWEL PIN, OIL PUMP **.187 X 1.625** BIG TWIN 1980- E/1982
2	A-6156	6156	pk-10 WASHER, **BRASS**, CHAIN OILER SCREW, BIG TWIN 1941-1969
3	A-6377	6377	pk-10 WASHER, **BRASS**, OIL PUMP PLUG, BIG TWIN L/1950-1986
4	A-6581	6581	pk-10 WASHER, **BRASS**, RELIEF VALVE PLUG, BIG TWIN 1954-1978
5	A-6703	6703	pk-25 WASHER, **STEEL**, 1/4" X 5/8" X 1/16" THICK
	A-6736	6736	pk-25 WASHER, **STEEL**, 5/16" X 1-3/64" X 1/32" THICK
6	36-0198	7036	pk-100 LOCK WASHERS, REGULAR 1/4", **ZINC PLATED**
7	36-0262	7069	pk-100 LOCK WASHERS, REGULAR # 10, **ZINC PLATED**
8	A-8866	8866	pk-25 BALL BEARING, (3/8") CHECK VALVE, BIG TWIN 1937-PRESENT
9	A-11002	11002	pk-10 RETAINING RING, OIL PUMP SHAFT, BIG TWIN 1970-PRESENT
10	A-11105	11105	pk-10 O-RING, OIL PUMP & DRAIN PLUG, BIG TWIN 1978-PRESENT
11	A-26207-83	26207-83	pk-10 SPRING, OIL PUMP RELIEF VALVE, BIG TWIN 1983-1998
12	A-26227-58	26227-58	pk-5 OIL SEALS, OIL PUMP BODY, BIG TWIN 1968-1999
13	L-3-931	26246-68	pk-10 GASKET,PUMP BODY TO CRANK CASE(MYLAR),BIG TWIN 1968-1980
14	L-3-932	26258-68	pk-10 GASKET, OIL PUMP COVER *OUTER* (MYLAR), BIG TWIN 1968-1980
15	A-26262-80	26262-80	pk-10 SPRING, OIL PUMP CHECK VALVE, BIG TWIN 1981-1998
16	L-3-923	26273-80	pk-10 GASKET,PUMP BODY TO CRANK CASE(FIBER PAPER),B/T 1980-1991
17	L-3-924	26276-80	pk-10 GASKET, OIL PUMP COVER *OUTER* (FIBER PAPER), B/T 1980-1991
17A	A-26315-68A	26315-68A	each GEAR, OIL PUMP DRIVE **RETURN SIDE** BIG TWIN 1968-1999
17B	A-26317-68A	26317-68A	each GEAR, OIL PUMP IDLER **RETURN SIDE** BIG TWIN 1968-1999
17C	V-13-176	26326-62A	each GEAR, OIL PUMP IDLER **FEED SIDE** BIG TWIN L/1962-1999

**\*\*CONTINUED NEXT PAGE\*\***

**\*5120 HILDA ROAD\* BLACKVILLE, S.C. 29817\* 803-284-3304\***

**\*Pg 168\***



# **\*\*EASTERN MOTORCYCLE PARTS\*\***

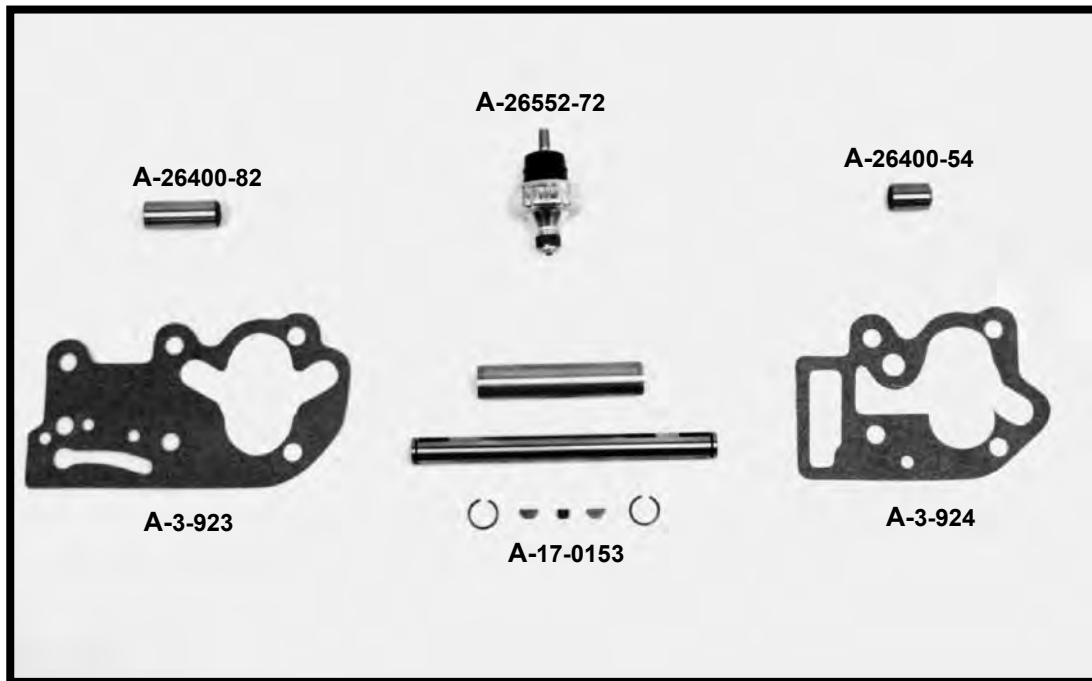
## **\*\*OIL PUMP\*\***

### **\*\*BIG TWIN 1968-1984\*\***

<u>DIAGRAM NUMBER</u>	<u>EASTERN NUMBER</u>	<u>REPLACES OEM</u>	<u>DESCRIPTION</u>
18	A-26327-68	26327-68 each	SHAFT, OIL PUMP IDLER GEAR, BIG TWIN 1968-PRESENT
18A	V-13-177	26328-74 each	GEAR, OIL PUMP DRIVE **FEED SIDE** BIG TWIN 1941-1999
19	A-26346-68	26346-68 each	DRIVE SHAFT, OIL PUMP, BIG TWIN 1968-1969
	A-26346-70	26346-70 each	DRIVE SHAFT, OIL PUMP, BIG TWIN 1970-1999
20	A-26348-15	26348-15 pk-10	KEY, OIL PUMP & PINION SHAFT, BIG TWIN 1936-1999
21	A-26348-36	26348-36 pk-10	RETAINING RING, OIL PUMP SHAFT, BIG TWIN 1936-1999
22	A-26363-36	26363-36 pk-10	SPRING, OIL PUMP CHECK VALVE, BIG TWIN 1937-1980
23	A-26374-54	26374-54 pk-10	SPRING, OIL PUMP RELIEF VALVE, BIG TWIN 1954-1972
24	A-26400-54	26400-54 each	PLUNGER, OIL PUMP RELIEF VALVE, BIG TWIN L/1954-E/1982
25	A-26400-82	26400-82 each	PLUNGER, OIL PUMP RELIEF VALVE, BIG TWIN L/1982-PRESENT
26	A-26552-72	26552-72 each	OIL PRESSURE SWITCH, **ACCEL**, BIG TWIN 1941-1984
27	A-63610-70	63610-70 pk-5	ADJUSTING SCREW, PUMP BODY(HEX HEAD), BIG TWIN 1941-1964
	A-26383-32	63614-72 pk-5	ADJUSTING SCREW,PUMP BODY(ROUND HEAD),BIG TWIN 1933-1983

## **\*\*OIL PUMP PARTS\*\***

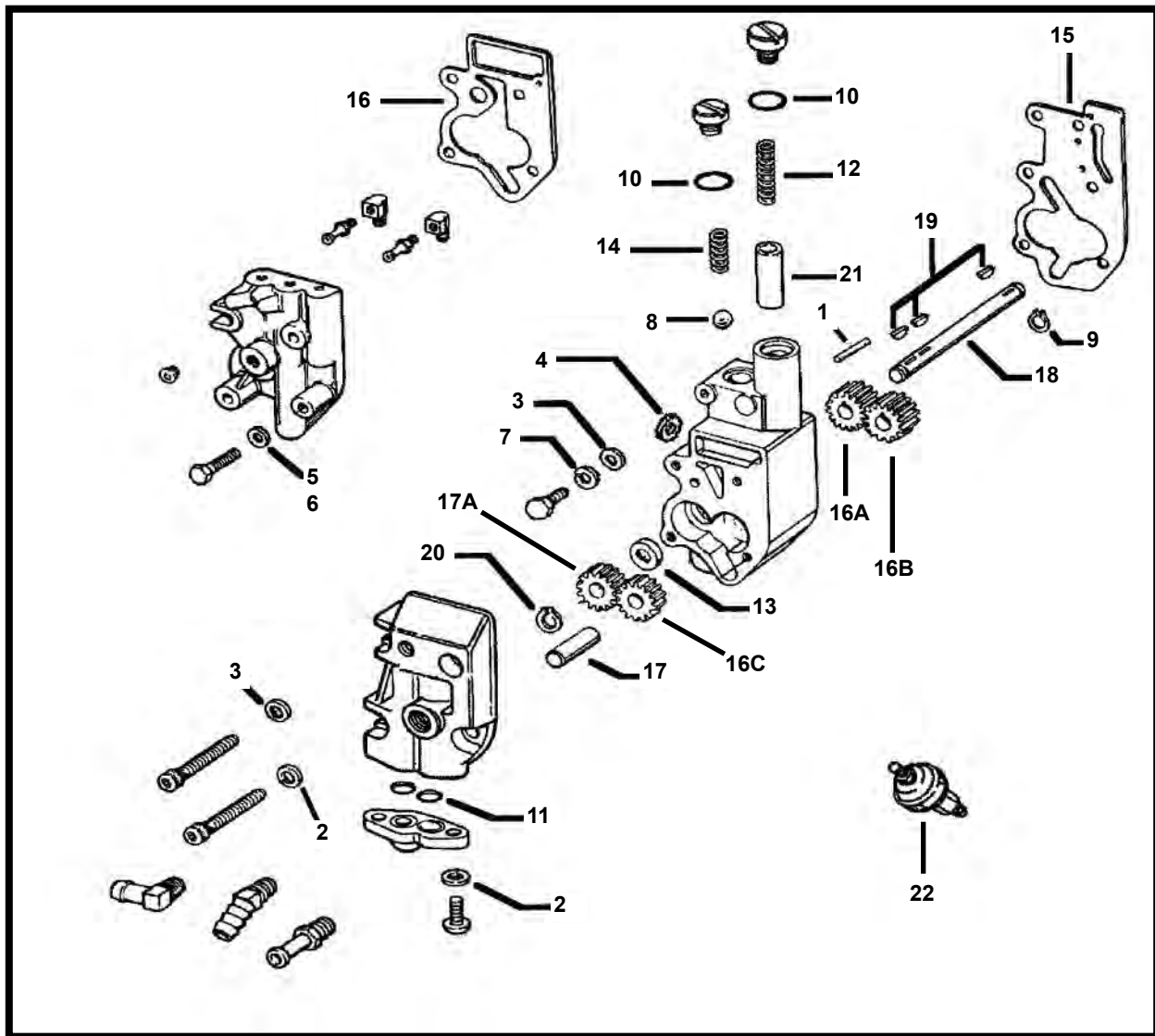
### **\*\*BIG TWIN 1968-1984\*\***



# **\*\*EASTERN MOTORCYCLE PARTS\*\***

## **\*\*OIL PUMP\*\***

**\*\*BIG TWIN 1984-1999\*\***



**\*\*EASTERN'S OIL PUMP GEARS, SHAFTS, KEYS AND SPRINGS\*\*  
**\*\*ARE MADE IN U.S.A.\*\*****

**\*\*CONTINUED NEXT PAGE\*\***

**\*5120 HILDA ROAD\* BLACKVILLE, S.C. 29817\* 803-284-3304\***

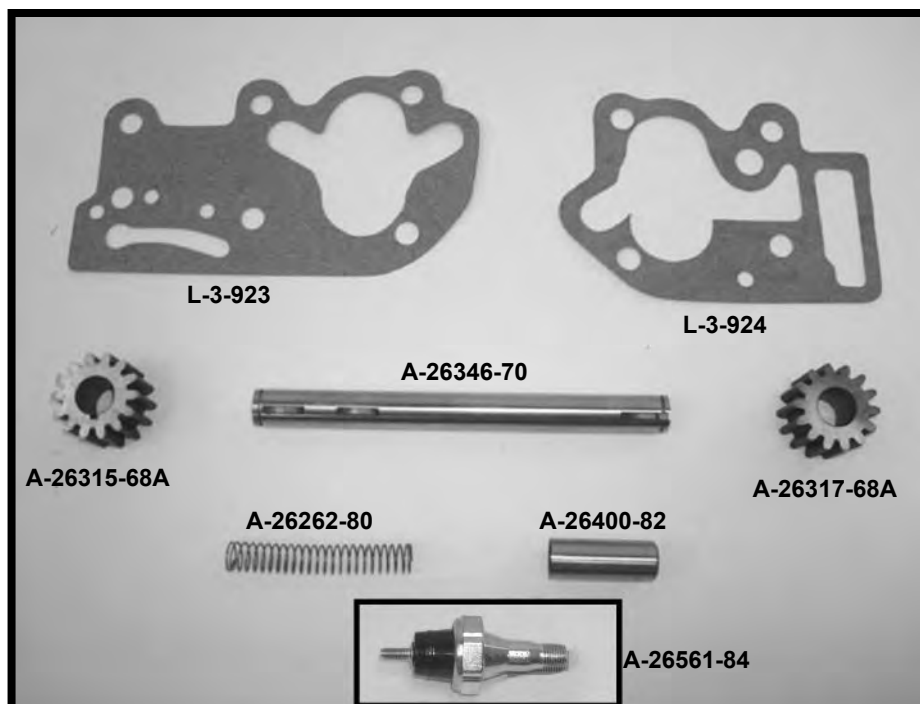
**\*Pg 170\***

# **\*\*EASTERN MOTORCYCLE PARTS\*\***

## **\*\*OIL PUMP\*\***

### **\*\*BIG TWIN 1984-1999\*\***

<u>DIAGRAM NUMBER</u>	<u>EASTERN NUMBER</u>	<u>REPLACES OEM</u>	<u>DESCRIPTION</u>
1	A-239	239	pk-25 ROLL PINS, 3/32" X 9/16" <b>**ZINC PLATED**</b>
2	A-6099	6099	pk-25 WASHER, (STEEL)1/4" X 7/16" X 1/16" THICK
3	A-6239	6239	pk-25 WASHER, 1/4" X 1/2" X 3/32" THICK <b>**ZINC PLATED**</b>
4	A-6377	6377	pk-10 WASHER, <b>**BRASS**</b> OIL PUMP PLUG, BIG TWIN L/1950-1986
5	A-6736	6736	pk-25 WASHER, (STEEL) 9/32" X 5/8" X 1/16" THICK
6	A-6738	6738	pk-25 WASHER, (STEEL) 17/32" X 7/8" X 7/64" THICK
7	36-0198	7036	pk-100 LOCK-WASHERS, REGULAR 1/4" <b>**ZINC PLATED**</b>
8	A-8873	8873	pk-25 BALL BEARING, 3/8" OIL PUMP CHECK VALVE,BIG TWIN 1937-PRES.
9	A-11002	11002	pk-10 RETAINING RING, OIL PUMP SHAFT, BIG TWIN 1970-PRESENT
10	A-11105	11105	pk-10 O-RING, OIL PUMP & DRAIN PLUG, BIG TWIN 1978-PRESENT
11	A-11241	11241	pk-10 O-RING, PUMP OUTER COVER(LOWER),BIG TWIN 1992-PRESENT
12	A-26207-83	26207-83	pk-10 SPRING, OIL PUMP RELIEF VALVE, BIG TWIN 1983-1998
13	A-26227-58	26227-58	pk-5 OIL SEALS, OIL PUMP BODY, BIG TWIN 1968-1999
14	A-26262-80	26262-80	pk-10 SPRING, OIL PUMP CHECK VALVE, BIG TWIN 1981-1998
15	L-3-923	26273-80	pk-10 GASKET,PUMP BODY TO C/CASE (FIBER PAPER), B/T 1980-1991
	L-3-923B	26273-92	pk-10 GASKET,PUMP BODY TO C/CASE (FIBER PAPER),B/T 1992-PRESENT
16	L-3-924	26276-80	pk-10 GASKET, OIL PUMP COVER(OUTER) *FIBER PAPER*, B/T 1980-1991
	L-3-924B	26276-92	pk-10 GASKET,OIL PUMP COVER(OUTER) *FIBER PAPER*,B/T 1992-PRES.
16A	A-26315-68A	26315-68A	each GEAR, OIL PUMP DRIVE <b>**RETURN SIDE**</b> BIG TWIN 1968-1999
16B	A-26317-68A	26317-68A	each GEAR, OIL PUMP IDLER <b>**RETURN SIDE**</b> BIG TWIN 1968-1999
16C	V-13-176	26326-62A	each GEAR, OIL PUMP IDLER <b>**FEED SIDE**</b> BIG TWIN L/1962-1999
17	A-26327-68	26327-68	each SHAFT, OIL PUMP IDLER GEAR, BIG TWIN 1968-PRESENT
17A	A-26328-74	26328-74	each GEAR, OIL PUMP DRIVE <b>**FEED SIDE**</b> BIG TWIN 1941-1999
18	A-26346-70	26346-70	each DRIVE SHAFT, OIL PUMP, BIG TWIN 1970-1999
19	A-26348-15	26348-15	pk-10 KEY, OIL PUMP & PINION SHAFT, BIG TWIN 1936-1999
20	A-26348-36	26348-36	pk-10 RETAINING RING, OIL PUMP SHAFT, BIG TWIN 1936-1999
21	A-26400-82	26400-82	each PLUNGER, OIL PUMP RELIEF VALVE, BIG TWIN L/1982-PRESENT
22	A-26561-84	26561-84	each OIL PRESSURE SWITCH, BIG TWIN 1984-1999



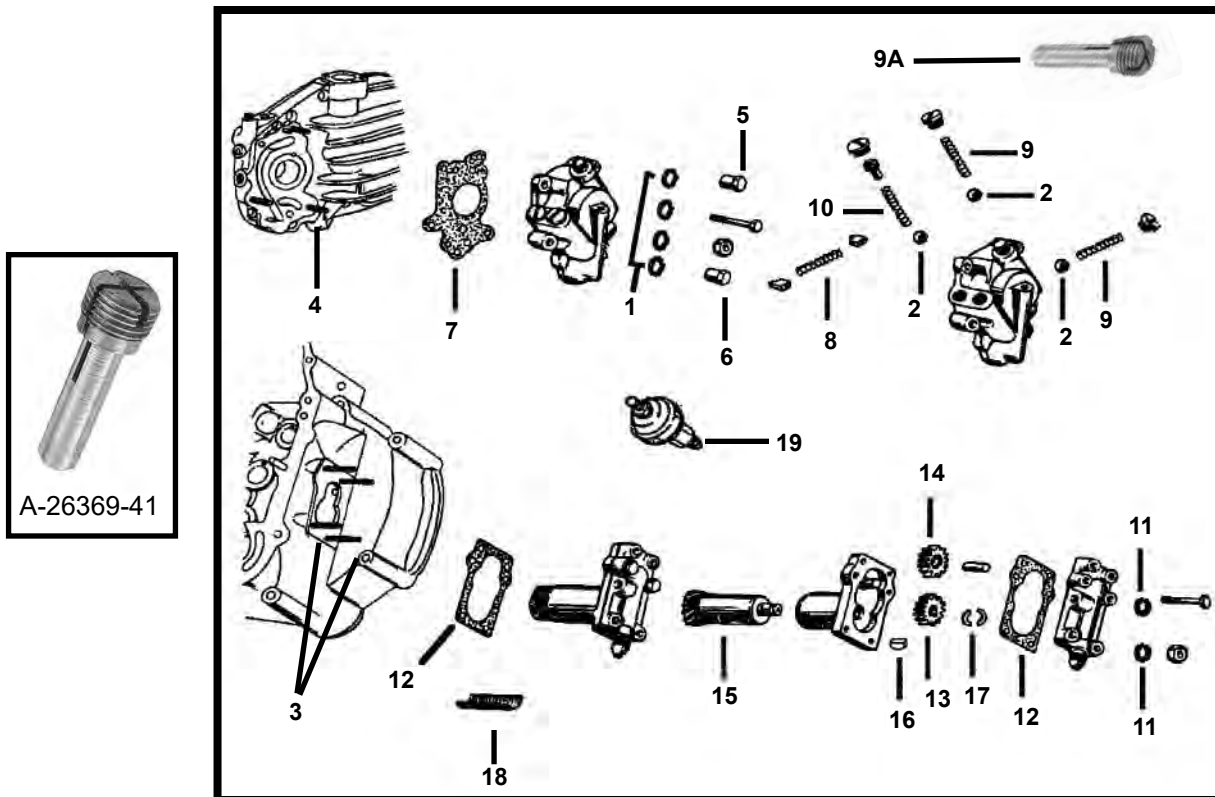
# **\*\*EASTERN MOTORCYCLE PARTS\*\***

## **\*\*OIL PUMP\*\***

### **\*\*AND SCAVENGER PUMP\*\***

**\*\*FORTY-FIVE 1937-1973\*\***

**\*\*SIDE VALVE 1937-1948\*\***



<u>DIAGRAM NUMBER</u>	<u>EASTERN NUMBER</u>	<u>REPLACES OEM</u>	<u>DESCRIPTION</u>
1	36-0198	7036	pk-100 LOCK WASHERS, **1/4** (ZINC PLATED)
2	A-8866	8866	pk-25 BALL BEARING, OIL PUMP CHECK VALVE, FORTY-FIVE 1937-1973
3	A-24819-36	24819-36	pk-5 STUDS, OIL PUMP **1-11/16 LONG** SIDE VALVE 1937-1948
4	A-24819-37	24819-37	pk-5 STUDS, OIL PUMP **1-7/16 LONG** FORTY-FIVE 1937-'73, S/V1937-'48
5	A-24830-41	24830-41	pk-5 NUTS, OIL PUMP STUD, FORTY-FIVE 1937-1973, SIDE VALVE 1937-'48
6	A-24831-41	24831-41	pk-5 NUTS, OIL PUMP STUD, BIG TWIN 1937-1973
7	L-3-926	26244-37	pk-10 GASKETS, OIL PUMP FEED SIDE, FORTY-FIVE 1937-1973
8	A-26286-37	26286-37	pk-10 SPRING, OIL PUMP FEED VANES, FORTY-FIVE 1937-1973
9	A-26363-36	26363-36	pk-10 SPRINGS, OIL PUMP CHECK VALVE, FORTY-FIVE 1937-1973
	A-26363-56	26363-56	pk-10 SPRINGS, OIL PUMP CHECK VALVE, FORTY-FIVE 1937-1973
9A	* A-26369-41	26369-41	each ADJUSTING SCREW, FORTY-FIVE 1941-1973
10	A-26373-41	26373-41	pk-10 SPRINGS, OIL PUMP BY PASS VALVE, FORTY-FIVE 1937-1973
11	36-0198	7036	pk-100 LOCK WASHERS, **1/4** (ZINC PLATED)
12	L-3-927	26246-37	pk-10 GASKETS, OIL PUMP SCAVENGER SIDE, FORTY-FIVE 1937-1973
13	A-26320-37	26320-37	each DRIVE GEAR, SCAVENGER SIDE, FORTY-FIVE 1937-1973 <b>**USA**</b>
14	A-26326-37	26326-37	each IDLER GEAR, SCAVENGER SIDE, FORTY-FIVE 1937-1973 <b>**USA**</b>
	A-26326-37A	26326-37A	each IDLER GEAR, SCAVENGER SIDE, FORTY-FIVE 1937-1973 <b>IMPORTED</b>
15	A-26331-37	26331-37	each BREATHER VALVE WITH GEAR, FORTY-FIVE 1937-1973 <b>**USA**</b>
16	A-26340-36	25340-36	pk-10 KEY, OIL PUMP BREATHER GEAR, FORTY-FIVE 1937-1973
17	A-26341-37	26341-37	pk-10 RETAINERS, SPLIT HALVES, BREATHER GEAR, FORTY-FIVE 1937-'73
18	A-26343-39	26343-39	pk-5 SCREEN, SCAVENGER PUMP. FORTY-FIVE 1939-1973, B/T FLATHEAD
19	A-26550-38A	26550-38A	each OIL PRESSURE SWITCH, FORTY-FIVE 1938-1973, S/VALVE 1938-1948

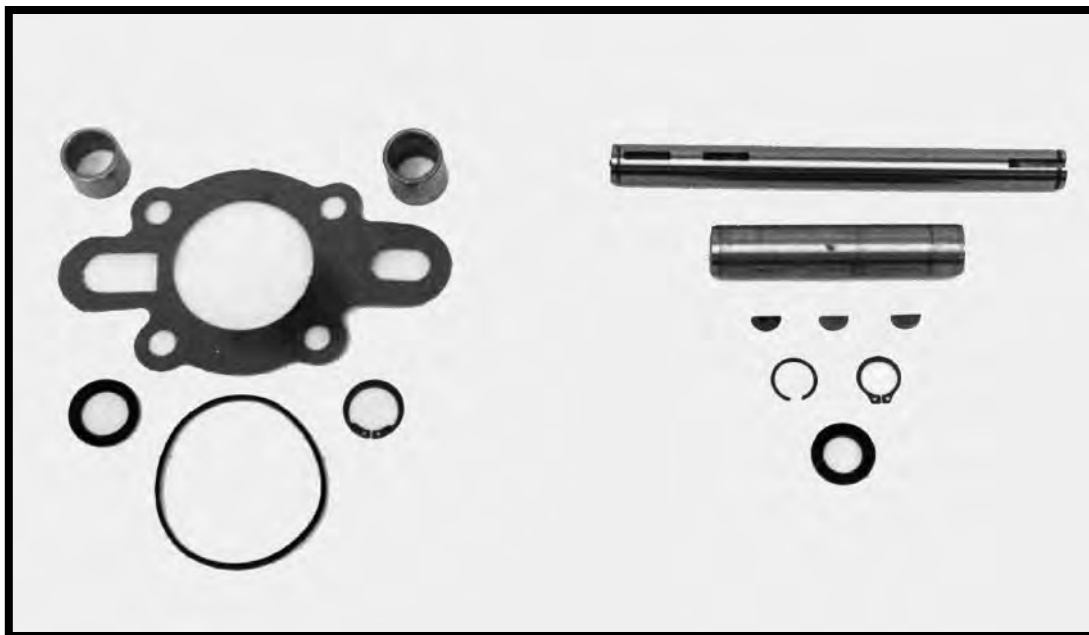
**\*5120 HILDA ROAD\* BLACKVILLE, S.C. 29817\* 803-284-3304\***

# **\*\*EASTERN MOTORCYCLE PARTS\*\***

## **\*\*OIL PUMP KITS\*\***

### **\*\*BIG TWIN-SPORTSTER\*\***

#### **\*\*MASTER LISTING\*\***

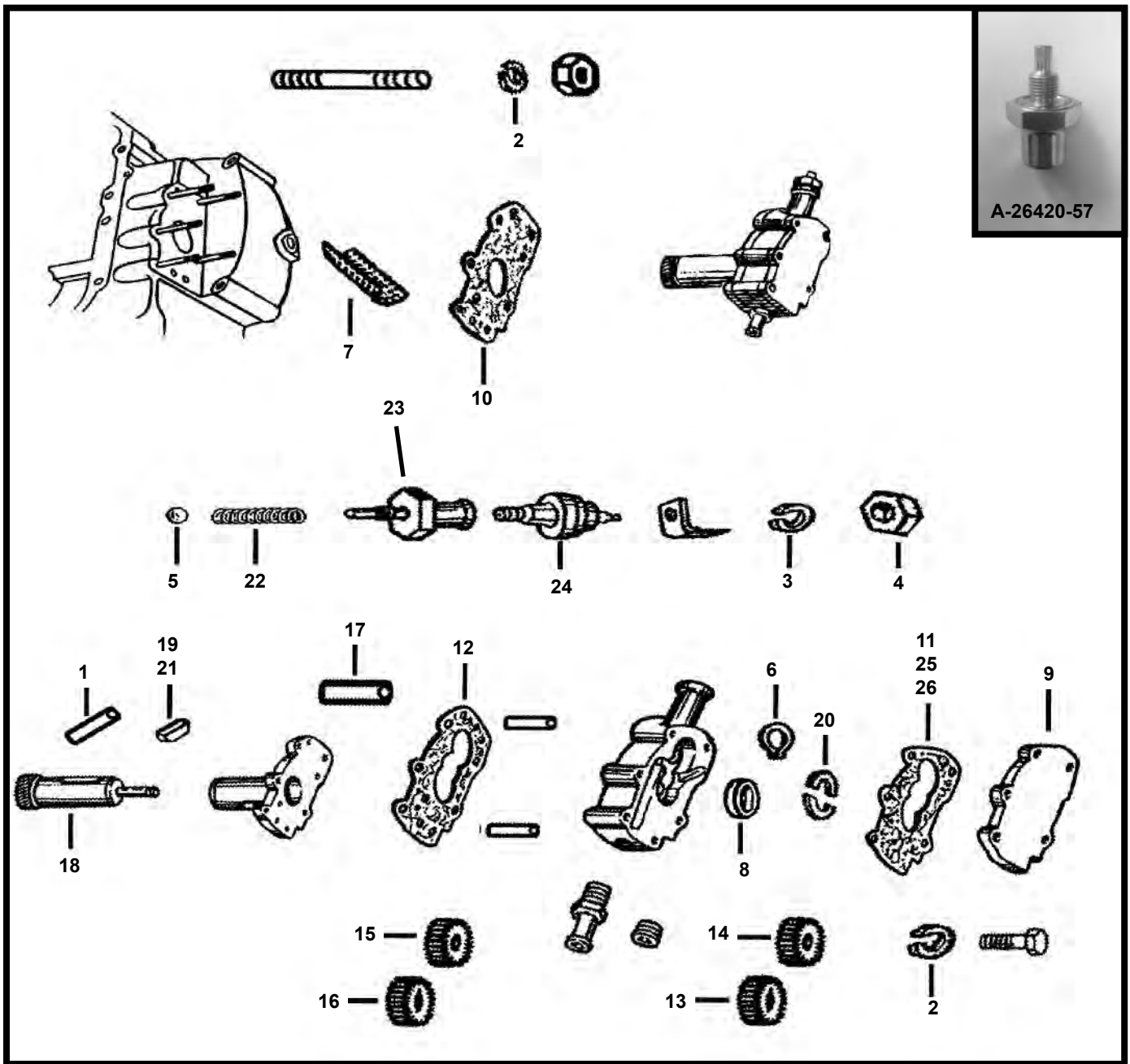


<u>EASTERN NUMBER</u>	<u>REPLACES OEM</u>	<u>DESCRIPTION</u>
17-0126		REPAIR KIT, OIL PUMP W/BUSHINGS, SPORTSTER 1977-1982 <b>KIT INCLUDES: (1ea) 12036, 26431-76, 26434-76A, 26489-75, 26495-75, 26497-75</b>
17-0129		REPAIR KIT, OIL PUMP W/BUSHINGS, SPORTSTER 1983-PRESENT <b>KIT INCLUDES: (1ea) 12036A, 26431-76, 26434-76A, 26489-75, 26495-75, 26497-75</b>
17-0151		OIL PUMP KIT, WITH SHAFT / BUSHING / KEYS / RETAINING RINGS,BIG TWIN 1936-1967 <b>KIT INCLUDES: (1) 26346-36, (1) 26340-36, (2) 26348-15, (2) 26348-36, (1) 24641-36</b>
17-0153		OIL PUMP KIT, WITH SHAFT / BUSHING / KEYS / RETAINING RINGS,BIG TWIN 1968-1969 <b>KIT INCLUDES: (1) 26346-68, (1) 26340-36, (2) 26348-15, (2) 26348-36, (1) 24641-36</b>
17-0157		OIL PUMP KIT,WITH SHAFT / BUSHING / KEYS / RETAINING RING,BIG TWIN 1970-PRES <b>KIT INCL: (1) 26346-70,(3) 26348-15, (1) 26348-36, (1) 11002, (1) 24641-36, (1) 26227-58</b>
L-3-403		GASKET KIT, OIL PUMP W/SEALS <b>**PAPER GASKETS**</b> , SPORTSTER 1954-1976 <b>*EASTERNS*</b> <b>KIT INCL: (1) 8873,(1) 11002, (1) 26227-58, (1) 26340-36, (1) 26348-15, (1) 26258-52, (1) 26259-52, (2) 26341-37, (1) 26364-57, (1) 26364-72</b>
48-0170		GASKET KIT, OIL PUMP REBUILD KIT <b>**PAPER GASKETS**</b> , SPORT. 1954-1976 <b>**JAMES**</b>
48-0180		GASKET KIT, OIL PUMP REBUILD KIT <b>**PAPER GASKETS**</b> , SPORT. 1977-1990 <b>**JAMES**</b>
48-0190		GASKET KIT, OIL PUMP REBUILD KIT <b>**PAPER GASKETS**</b> , SPORT. 1991-2008 <b>**JAMES**</b>
48-0192		GASKET KIT, OIL PUMP REBUILD KIT <b>**DL STYLE GASKET**</b> , SPORT. 1991-2009 <b>**JAMES**</b>
L-3-412		GASKET KIT, OIL PUMP REBUILD KIT <b>**MYLAR GASKETS**</b> , BIG TWIN 1968-1980 <b>**ATHENA**</b>
L-3-415		GASKET KIT, OIL PUMP REBUILD KIT <b>**MYLAR GASKETS**</b> , BIG TWIN 1968-1980 <b>**ATHENA**</b>
48-0112		GASKET KIT, OIL PUMP REBUILD KIT <b>**PAPER GASKETS**</b> , FORTY-FIVE 1937-'73 <b>**JAMES**</b>
48-0115		GASKET KIT, OIL PUMP REBUILD KIT <b>**PAPER GASKETS**</b> , BIG TWIN 1936-1947 <b>**JAMES**</b>
48-0120		GASKET KIT, OIL PUMP REBUILD KIT <b>**PAPER GASKETS**</b> , BIG TWIN 1948-1967 <b>**JAMES**</b>
48-0122		GASKET KIT, OIL PUMP REBUILD KIT <b>**PAPER GASKETS**</b> , BIG TWIN 1968-1980 <b>**JAMES**</b>
48-0130		GASKET KIT, OIL PUMP REBUILD KIT <b>**MYLAR GASKETS**</b> , BIG TWIN 1981-1992 <b>**JAMES**</b>
48-0140		GASKET KIT, OIL PUMP REBUILD KIT <b>**PAPER GASKETS**</b> , BIG TWIN 1981-1992 <b>**JAMES**</b>
48-0145		GASKET KIT, OIL PUMP REBUILD KIT <b>**PAPER GASKETS**</b> , BIG TWIN 1992-1999 <b>**JAMES**</b>

# \*\*EASTERN MOTORCYCLE PARTS\*\*

## \*\*OIL PUMP\*\*

\*\*SPORTSTER 1954-1976\*\*



\*\*CONTINUED ON NEXT PAGE\*\*

\*5120 HILDA ROAD\* BLACKVILLE, S.C. 29817\* 803-284-3304\*

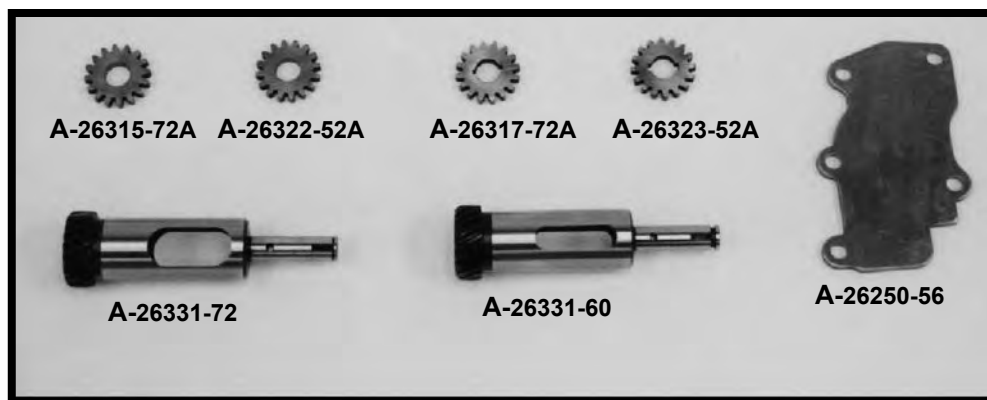
\*Pg 174\*

# **\*\*EASTERN MOTORCYCLE PARTS\*\***

## **\*\*OIL PUMP\*\***

### **\*\*SPORTSTER 1954-1976\*\***

<b>DIAGRAM NUMBER</b>	<b>EASTERN NUMBER</b>	<b>REPLACES OEM</b>	<b>DESCRIPTION</b>
1	A-240	240	pk-25 DOWEL PINS, FEED GEAR (OIL PUMP), SPORTSTER 1961-1971
2	36-0198	7036	pk-100 LOCK-WASHERS, REGULAR 1/4" <b>**ZINC PLATED**</b>
3	36-0262	7069	pk-100 LOCK-WASHERS, REGULAR #10 <b>**ZINC PLATED**</b>
4	L-3-817	7634	pk-10 TERMINAL NUTS, W/ STAR WASHER, SPORTSTER 1954-1957
5	A-8873	8873	pk-25 BALL BEARING,(3/8")PUMP CHECK VALVE,SPORTSTER 1954-1976
6	A-11002	11002	pk-10 RETAINING RING, OIL PUMP SHAFT, SPORTSTER 1956-PRESENT
7	A-25276-52	25276-52	pk-5 SCREEN, BREATHER VALVE, SPORTSTER 1952-1973
8	A-26227-58	26227-58	pk-5 OIL SEALS, OIL PUMP BODY, SPORTSTER L/1958-1976
9	A-26250-56	26250-56	each COVER, OUTER OIL PUMP BODY, SPORTSTER 1956-1976
10	L-3-935	26256-52	pk-10 GASKET, PUMP TO CRANKCASE, SPORTSTER 1952-1976
11	L-3-936	26258-52	pk-10 GASKET, OIL PUMP OUTER COVER, SP 1952-E/1962 / 1972-1976
	L-3-936A	26258-62	pk-10 GASKET, OIL PUMP OUTER COVER, SPORTSTER L/1962-1971
12	L-3-937	26259-52	pk-10 GASKET, OIL PUMP INNER COVER, SPORTSTER 1952-E/1962
	L-3-937A	26259-62	pk-10 GASKET, OIL PUMP INNER COVER, SPORTSTER L/1962-1971
13	A-26315-72A	26315-72A	each GEAR, OIL PUMP RETURN SIDE <b>**WIDE W/KEY WAY**</b> SP. 1972-1976
14	A-26317-72A	26317-72A	each IDLER GEAR, RETURN SIDE <b>**WIDE NO KEY WAY**</b> SP. 1972-1976
15	A-26322-52A	26322-52A	each IDLER GEAR, FEED SIDE <b>**NARROW NO KEY WAY**</b> SP. 1954-1976
16	A-26323-52A	26323-52A	each GEAR, OIL PUMP FEED SIDE <b>**NARROW W/KEY WAY**</b> SP. 1954-1976
17	A-26327-52	26327-52	each SHAFT, OIL PUMP IDLER GEAR, SPORTSTER 1952-1976
18	A-26331-52	26331-52	each BREATHER VALVE WITH GEAR, SPORTSTER 1952-1955
	A-26331-56	26331-56	each BREATHER VALVE WITH GEAR, SPORTSTER 1956-1959
	A-26331-60	26331-60	each BREATHER VALVE WITH GEAR, SPORTSTER 1960-1971
	A-26331-72	26331-72	each BREATHER VALVE WITH GEAR, SPORTSTER 1972-1976
19	A-26340-36	26340-36	pk-10 KEY, OIL PUMP DRIVE SHAFT (SM), SPORTSTER 1960-1971
20	A-26341-37	26341-37	pk-10 RETAINERS,(SPLIT HALVES)PUMP BREATHER GEAR,SP 1952-1976
21	A-26348-15	26348-15	pk-10 KEY, OIL PUMP & PINION SHAFT, SPORTSTER 1972-1976
22	A-26364-57	26364-57	pk-10 SPRING, OIL PUMP CHECK VALVE, SPORTSTER 1957-E/1972
	A-26364-72	26364-72	pk-10 SPRING, OIL PUMP CHECK VALVE, SPORTSTER L/1972-1976
23	A-26420-57	26420-57	each FITTING, OIL PRESSURE SWITCH, SPORTSTER 1954-1976
24	A-26552-72	26552-72	each OIL PRESSURE SWITCH <b>**ACCEL**</b> , SPORTSTER 1954-1976
25	L-3-403		kit GASKET KIT. OIL PUMP SMALL PARTS, SPORT 1954-1976 <b>*EASTERN*</b> KIT INCL: (1) 8873,(1) 11002, (1) 26227-58, (1) 26340-36, (1) 26348-15, (1) 26258-52, (1) 26259-52, (2) 26341-37, (1) 26364-57, (1) 26364-72
26	48-0170		kit GASKET KIT, OIL PUMP REBUILD KIT <b>**PAPER GASKETS**</b> , SPORTSTER 1954-1976 <b>**JAMES**</b>



**\*\*THE FOLLOWING GEARS ARE MADE BY EASTERN\*\***

26315-72A, 26317-72A, 26322-52A, 26323-52A,  
26331-52, 26331-56, 26331-60, 26331-72

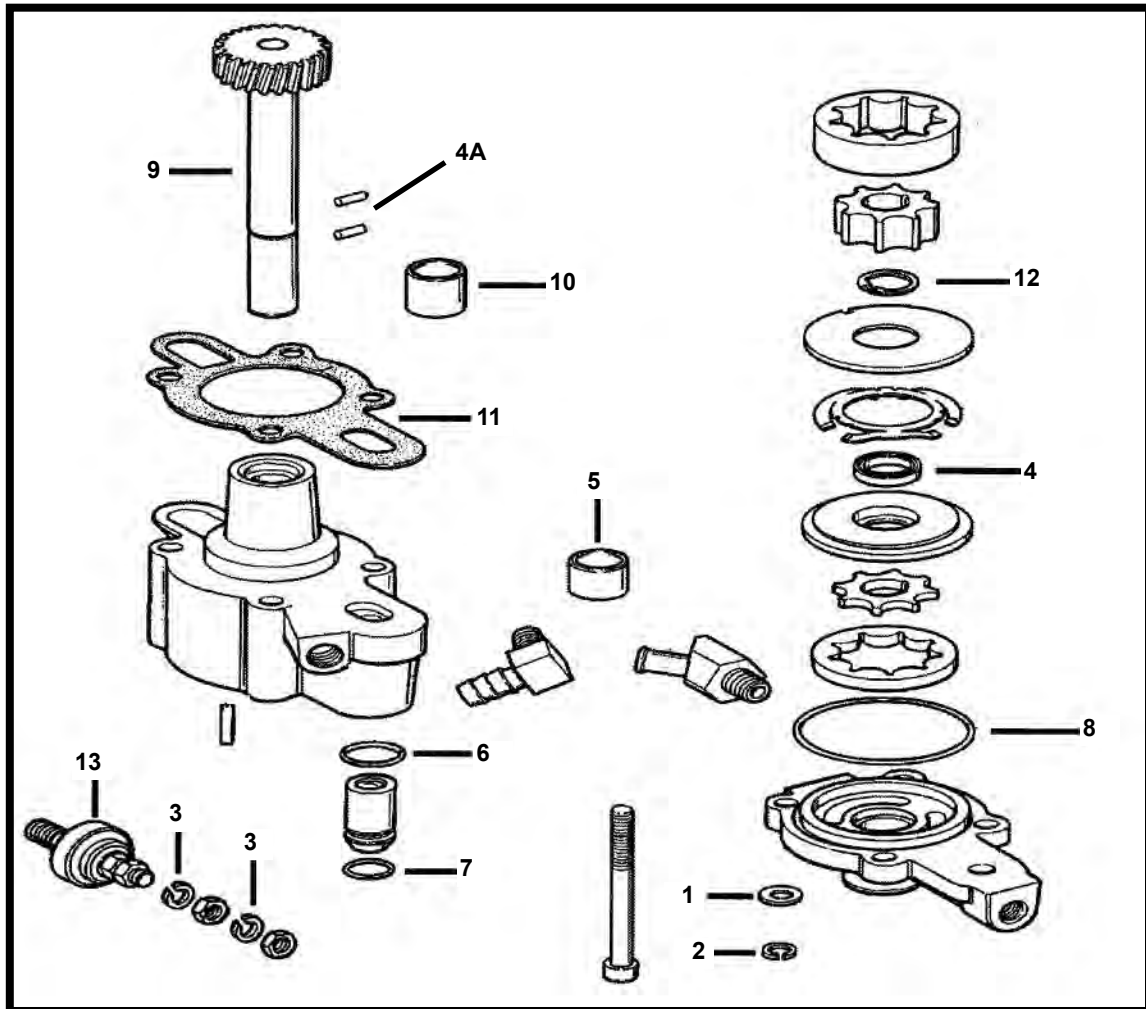
**\*5120 HILDA ROAD\* BLACKVILLE, S.C. 29817\* 803-284-3304\***

**\*Pg 175\***

# **\*\*EASTERN MOTORCYCLE PARTS\*\***

## **\*\*OIL PUMP\*\***

**\*\*SPORTSTER 1977-1990\*\***



<u>DIAGRAM NUMBER</u>	<u>EASTERN NUMBER</u>	<u>REPLACES OEM</u>	<u>DESCRIPTION</u>
1	A-6242W	6242W	pk-25 WASHER, STEEL 1/4" X 9/16" X 1/32" THICK
2	36-0198	7036	pk-100 LOCK-WASHERS, REGULAR 1/4" <b>**ZINC PLATED**</b>
3	36-0262	7069	pk-100 LOCK-WASHERS, REGULAR #10 <b>**ZINC PLATED**</b>
4	A-12036	12036	pk-5 OIL SEAL, OIL PUMP OUTER PLATE, SPORTSTER 1977-1982
	A-12036A	12036A	pk-5 OIL SEAL, OIL PUMP OUTER PLATE, SPORTSTER 1983-1990
4A	A-26430-76	26430-76	pk-25 DOWEL PINS, <b>** .125 X .310 LONG **</b> GEAR SHAFT, SPORT. 1977-1990
5	A-26431-76	26431-76	each BUSHING, OIL PUMP COVER <b>**OIL-LITE**</b> , SPORTSTER 1977-1990
6	A-26432-76A	26432-76A	pk-10 O-RING, CYLINDER STUD INSERT & OIL PUMP BODY, SP 1977-1990
7	A-26433-77	26433-77	pk-10 O-RING, OIL PUMP CHECK VALVE, SPORTSTER 1977-1990
8	A-26434-76A	26434-76A	pk-10 O-RING, OIL PUMP COVER, SPORTSTER 1977-1990
9	A-26488-75	26488-75	each OIL PUMP GEAR SHAFT, SPORTSTER 1977-1990 <b>**USA**</b>
10	A-26489-75	26489-75	pk-5 BUSHING, OIL PUMP BODY <b>**OIL-LITE**</b> , SPORTSTER 1977-1985
11	L-3-925	26495-75	pk-10 GASKET, OIL PUMP MOUNTING TO CASE, SPORTSTER 1977-1990
	48-0180	kit	GASKET KIT, OIL PUMP REBUILD KIT <b>**PAPER GASKETS**</b> , SPORTSTER 1977-1990 <b>**JAMES**</b>
12	A-26497-75	26497-75	pk-10 RETAINING RING, OIL PUMP SHAFT, SPORTSTER 1977-1990
13	A-26554-77	26554-77	each OIL PRESSURE SWITCH, SPORTSTER 1977-1990

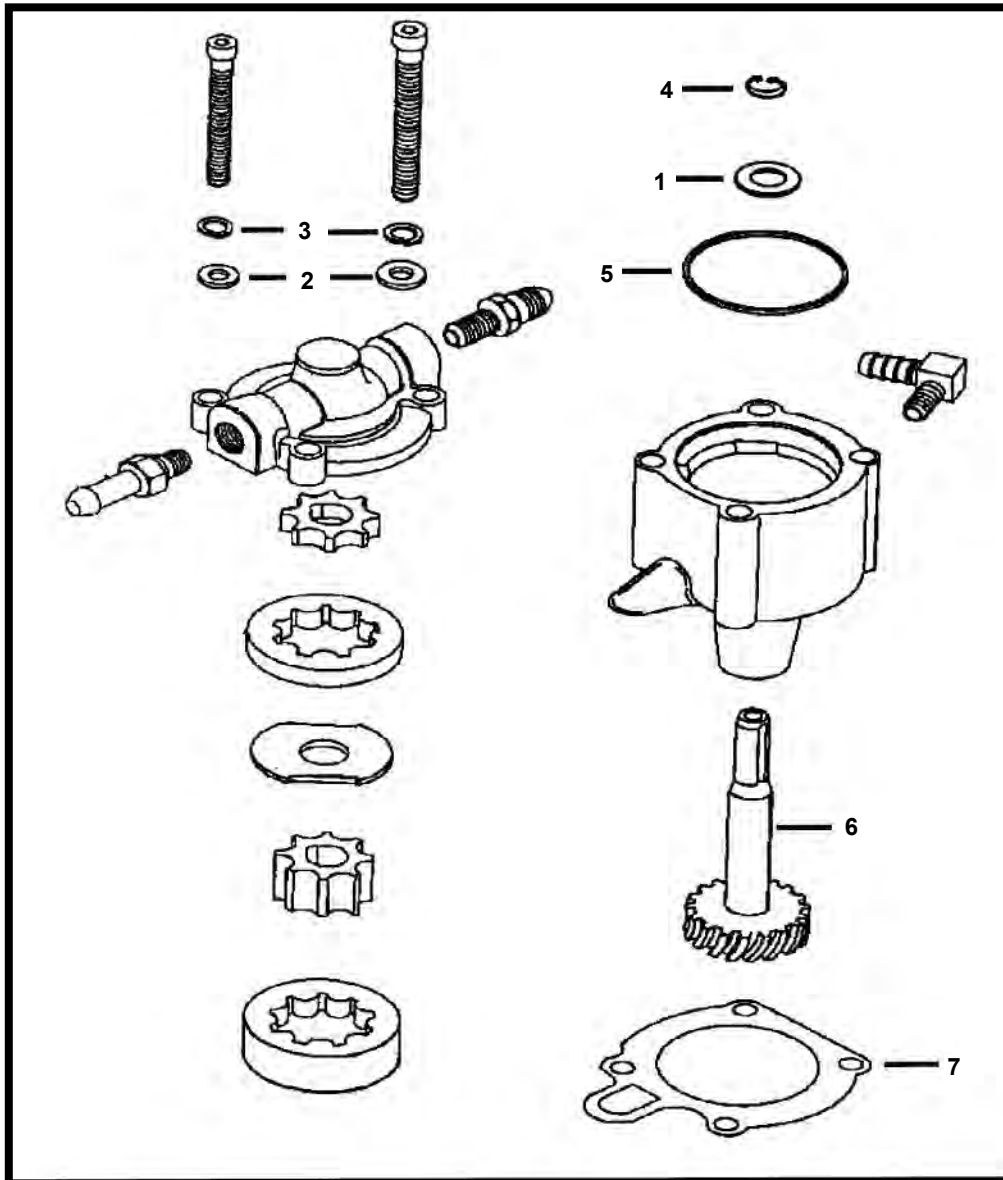
**\*5120 HILDA ROAD\* BLACKVILLE, S.C. 29817\* 803-284-3304\***



# \*\*EASTERN MOTORCYCLE PARTS\*\*

## \*\*OIL PUMP\*\*

### \*\*SPORTSTER 1991-PRESENT\*\*

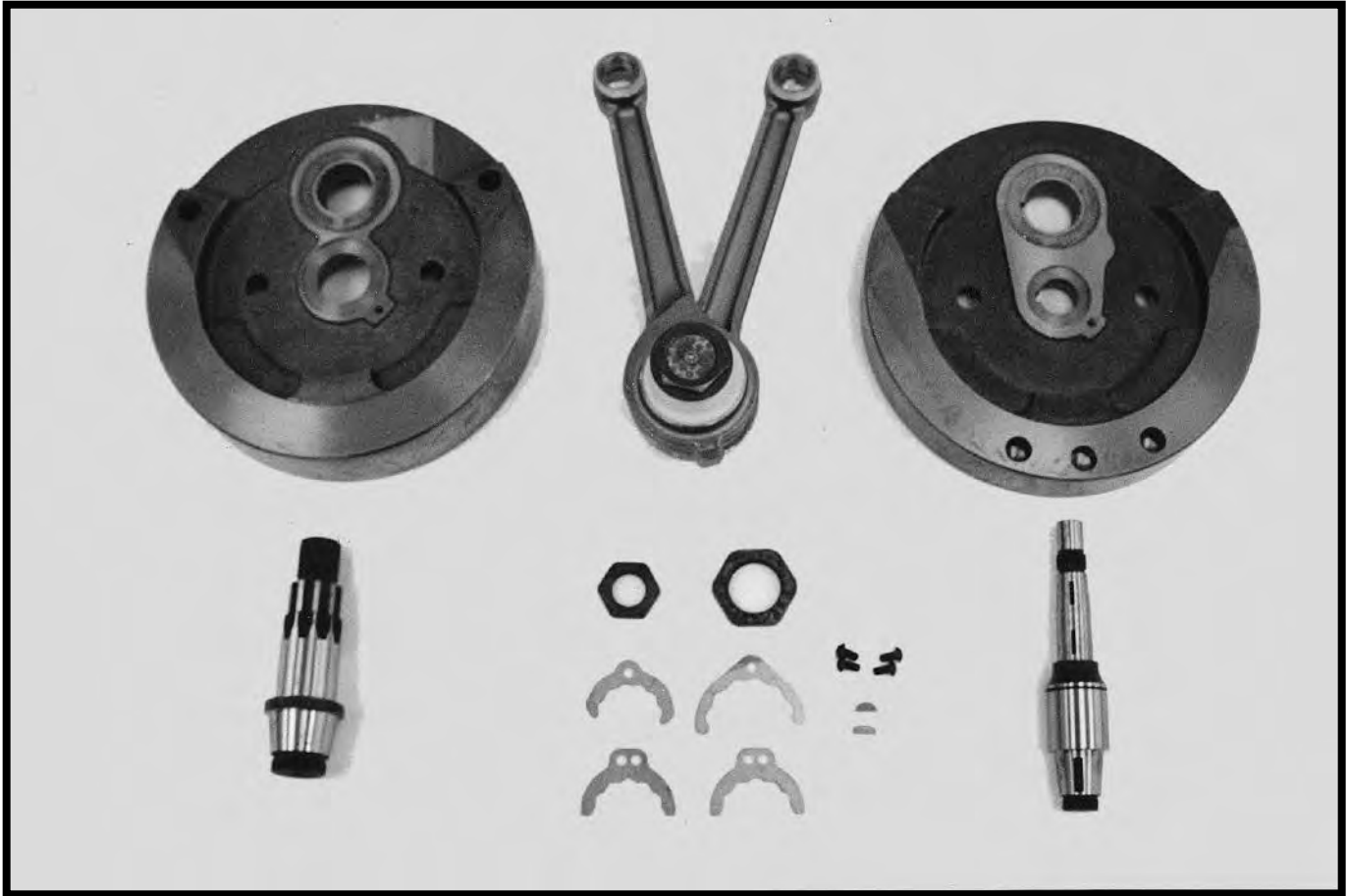


<u>DIAGRAM NUMBER</u>	<u>EASTERN NUMBER</u>	<u>REPLACES OEM</u>	<u>DESCRIPTION</u>
1	A-6157	6157	pk-10 THRUST WASHER, OIL PUMP GEAR SHAFT, SPORTSTER 1991-PRES.
2	A-6242W	6242W	pk-25 WASHERS, **1/4 X 9/16 X 1/32 THICK** (ZINC PLATED)
3	36-0198	7036	pk-100 LOCK WASHERS, **1/4" REGULAR** (ZINC PLATED)
4	A-11002	11002	pk-10 RETAINING RING, OIL PUMP SHAFT, SPORTSTER 1956-PRESENT
5	A-26434-91	26434-91	pk-10 O-RING, OIL PUMP COVER, SPORTSTER 1991-PRESENT
6	A-26488-91	26488-91	each OIL PUMP GEAR SHAFT, SPORTSTER 1991-1997
	A-26488-98	26488-98	each OIL PUMP GEAR SHAFT, SPORTSTER 1998-PRESENT
7	L-3-918	26495-89	pk-10 GASKET, OIL PUMP CASE, SPORTSTER 1991-PRESENT
	48-0190		kit GASKET KIT, OIL PUMP REBUILD KIT **PAPER GASKETS**, SPORTSTER 1991-2008 **JAMES**
	48-0192		kit GASKET KIT, OIL PUMP REBUILD KIT **DL STYLE GASKET**, SPORTSTER 1991-2009 **JAMES**

**\*\*EASTERN MOTORCYCLE PARTS\*\***

**\*\*FLYWHEEL KITS\*\***

**\*\*BIG TWIN\*\***



**EASTERN  
NUMBER**  
M-4-4612

**REPLACES  
OEM**

**DESCRIPTION**

FLYWHEEL KIT, \*\*84" 4-1/2" STROKE\*\* BIG TWIN 1970-1984

# **\*\*EASTERN MOTORCYCLE PARTS\*\***

## **\*\*FLYWHEELS ONLY\*\***

### **\*\*TRUETT & OSBORN\*\***

**(STOCK AND 4-1/2")**

**\*\*BIG TWIN, SPORTSTER, FORTY-FIVE\*\***

**\*\*80" FLATHEAD & INDIAN CHIEF\*\***



**TRUETT & OSBORN FLYWHEELS ARE MADE FROM DUCTILE IRON AND HEAT TREATED. (110,000psi) GUARANTEED UNBREAKABLE!**

<b><u>EASTERN NUMBER</u></b>	<b><u>REPLACES OEM</u></b>	<b><u>DESCRIPTION</u></b>
50-4703	23916-32 23936-37	pair FLYWHEELS <b>**STOCK STROKE**</b> FORTY-FIVE 1937-1973
50-4707	23919-37 23940-37	pair FLYWHEELS <b>**STOCK STROKE**</b> BIG TWIN 1937-1948 <b>**SIDE VALVE**</b>
50-4711	23919-41 23940-41A	pair FLYWHEELS <b>**STOCK STROKE**</b> BIG TWIN 1941-1953
50-4715		pair FLYWHEELS <b>**4-1/2" STROKE**</b> BIG TWIN 1941-1953
50-4721	23919-56 23940-41A	pair FLYWHEELS <b>**STOCK STROKE**</b> BIG TWIN 1956-1969
50-4725		pair FLYWHEELS <b>**4-1/2" STROKE**</b> BIG TWIN 1956-1969
50-4731	23919-70A 23940-41A	pair FLYWHEELS <b>**STOCK STROKE**</b> BIG TWIN 1970-1971
50-4735		pair FLYWHEELS <b>**4-1/2" STROKE**</b> BIG TWIN 1970-1971
50-4741	23919-72 23940-41A	pair FLYWHEELS <b>**STOCK STROKE**</b> BIG TWIN 1972-1980
50-4745		pair FLYWHEELS <b>**4-1/2" STROKE**</b> BIG TWIN 1972-1980

**\*\*SEE PAGE 192 FOR 4-1/2" STROKER PISTONS\*\***

**\*\*CONTINUED NEXT PAGE\*\***

# **\*\*EASTERN MOTORCYCLE PARTS\*\***

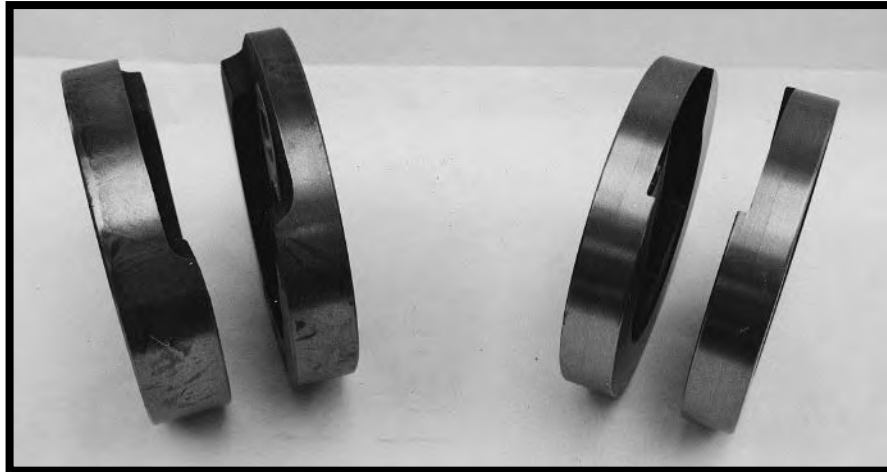
## **\*\*FLYWHEELS ONLY\*\***

### **\*\*TRUETT & OSBORN\*\***

**(STOCK AND 4-1/2")**

**\*\*BIG TWIN, SPORTSTER, FORTY-FIVE\*\***

**\*\*80" FLATHEAD & INDIAN CHIEF\*\***



**TRUETT & OSBORN FLYWHEELS ARE MADE FROM DUCTILE IRON AND HEAT TREATED. (110,000psi) GUARANTEED UNBREAKABLE!**

<u>EASTERN NUMBER</u>	<u>REPLACES OEM</u>		<u>DESCRIPTION</u>
50-4751	23922-80 23926-80A	pair	FLYWHEELS <b>**STOCK STROKE**</b> BIG TWIN 1981-1986
50-4755		pair	FLYWHEELS <b>**4-1/2" STROKE**</b> BIG TWIN 1981-1986
50-4763	23915-52 23935-52	pair	FLYWHEELS <b>**STOCK STROKE**</b> SPORTSTER 1952-1953 <b>**K-MODEL**</b>
50-4767	23916-54A 23936-54A	pair	FLYWHEELS <b>**STOCK STROKE**</b> SPORTSTER 1954-1956 <b>**K-MODEL**</b>
50-4771	23916-57A 23936-57A	pair	FLYWHEELS <b>**STOCK STROKE**</b> SPORTSTER 1957-1980
50-4777	23916-81A 23936-87A	pair	FLYWHEELS <b>**STOCK STROKE**</b> SPORTSTER 1981-1985

**\*\*CYLINDERS\*\***

**\*\*CYLINDER SLEEVES\*\***

**\*\*PISTONS\*\***

**\*\*PISTON RINGS\*\***

\* **CYLINDERS: KNUCKLEHEAD, PANHEAD SHOVELHEAD, BIG BORE, EVOLUTION**

\* **CYLINDER SLEEVES: 900 C/C, 1000 C/C 1200 C/C, 1340 C/C**

\* **PISTONS: PANHEAD, SHOVELHEAD, BIG BORE, EVOLUTION, FORTY-FIVE, FLATHEAD 61", 74" & 80", K-MODEL, BIG BORE, 84" & 86" STROKER**

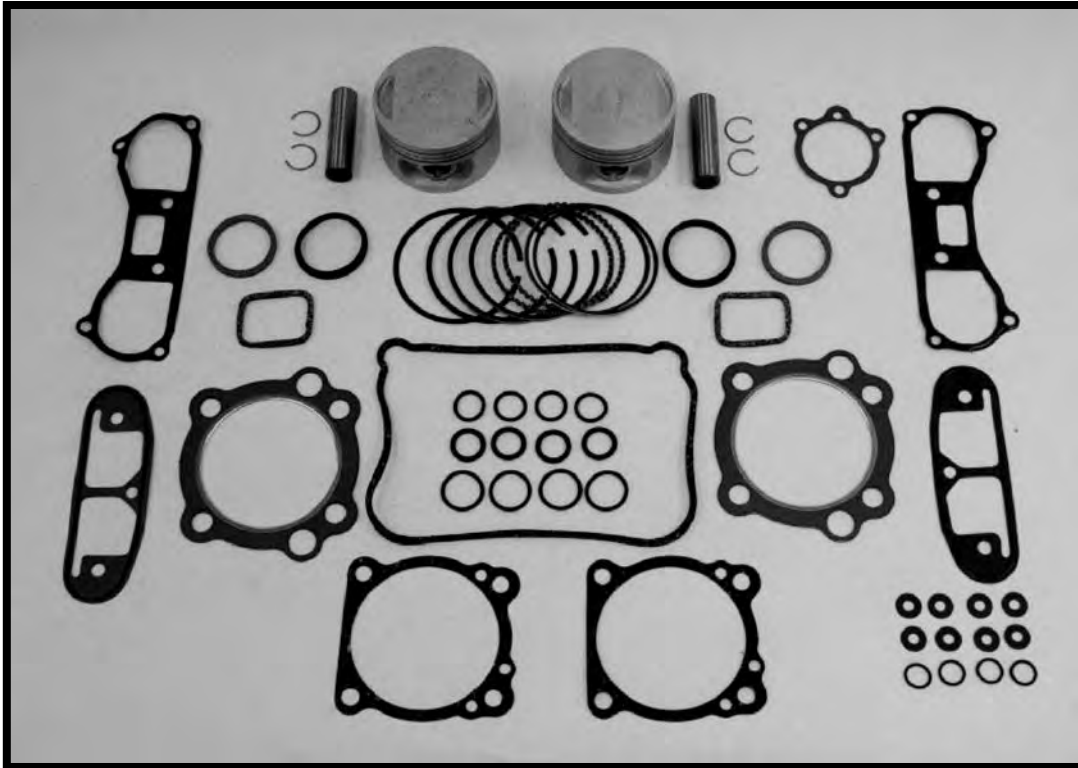
\* **PISTON RINGS: PANHEAD, SHOVELHEAD, BIG BORE, EVOLUTION, FORTY-FIVE, FLATHEAD 61", 74" & 80", K-MODEL, BIG BORE, 84" & 86" STROKER**

# **\*\*EASTERN MOTORCYCLE PARTS\*\***

## **\*\*CONVERSION KITS\*\***

**\*\*883,1100 TO 1200 C/C\*\***

**\*\*SPORTSTER\*\***



**EASTERN  
NUMBER**

**M-4-4601**

**M-4-4602**

**REPLACES  
OEM**

**16140-87**

**DESCRIPTION**

CONVERSION KIT, \*\*883,1100 TO 1200 C/C\*\* SPORTSTER 1986-1990

**KIT INCLUDES: PISTONS, RINGS, AND GASKETS**

CONVERSION KIT, \*\*883,1100 TO 1200 C/C\*\* SPORTSTER 1991-PRESENT

**KIT INCLUDES: PISTONS, RINGS, AND GASKETS**

# **\*\*EASTERN MOTORCYCLE PARTS\*\***

## **\*\*CYLINDERS\*\***

### **\*\*BIG TWIN-SPORTSTER\*\***



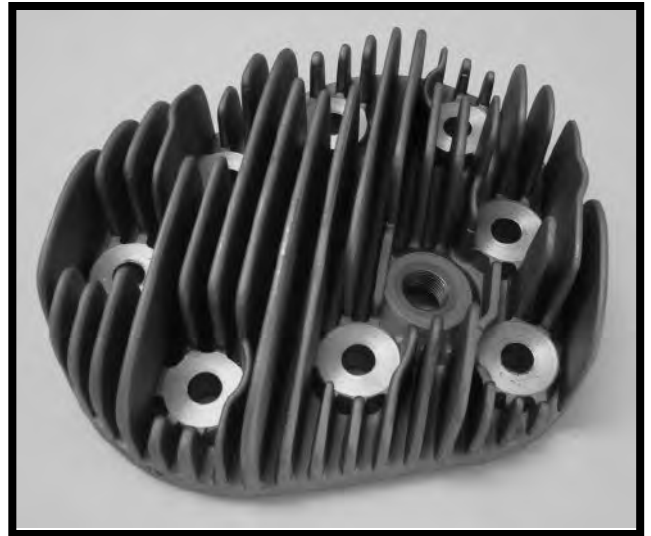
<u>EASTERN NUMBER</u>	<u>REPLACES OEM</u>	<u>DESCRIPTION</u>
		<b>**PANHEAD 74**</b>
M-4-4540	16483-48 16484-55	each CYLINDER, <b>**FRONT** (ONLY / NO PISTON)</b> , BIG TWIN 1948-1965
M-4-4541	16492-48 16493-55	each CYLINDER, <b>**REAR** (ONLY / NO PISTON)</b> , BIG TWIN 1948-1965
M-4-4542		set-2 CYLINDERS, <b>**FRONT &amp; REAR** (ONLY / NO PISTONS)</b> , BIG TWIN 1948-1965 SET INCLUDES: (1) 4-4540 (1) 4-4541
		<b>**SHOVELHEAD 74**</b>
M-4-4547	16485-66B 16485-74A	each CYLINDER, <b>**FRONT** (ONLY / NO PISTON)</b> BIG TWIN 1966-1978
M-4-4548	16492-66B 16492-74A	each CYLINDER, <b>**REAR** (ONLY / NO PISTON)</b> BIG TWIN 1966-1978
M-4-4549		set-2 CYLINDERS, <b>**FRONT &amp; REAR** (ONLY / NO PISTONS)</b> BIG TWIN 1966-1978 SET INCLUDES: (1) 4-4547 (1) 4-4548
		<b>**SHOVELHEAD 80**</b>
M-4-4550	16494-78 16498-80A	each CYLINDER, <b>**FRONT** (ONLY / NO PISTON)</b> BIG TWIN 1978-1984
M-4-4551	16495-78 16499-80A	each CYLINDER, <b>**REAR** (ONLY / NO PISTON)</b> BIG TWIN 1978-1984
M-4-4552		set-2 CYLINDERS, <b>**FRONT &amp; REAR** (ONLY / NO PISTONS)</b> BIG TWIN 1978-1984 SET INCLUDES: (1) 4-4550 (1) 4-4551

**\*\*CONTINUED NEXT PAGE\*\***

# **\*\*EASTERN MOTORCYCLE PARTS\*\***

## **\*\*CYLINDERS\*\***

### **\*\*BIG TWIN-SPORTSTER\*\***



<u>EASTERN NUMBER</u>	<u>REPLACES OEM</u>	<u>DESCRIPTION</u>
		<b>**BIG BORE 3-5/8" BORE** (.2030 LONGER)</b>
M-4-4563	each	CYLINDER, <b>**FRONT** (ONLY / NO PISTON)</b> BIG TWIN 1966-1984
M-4-4564	each	CYLINDER, <b>**REAR** (ONLY / NO PISTON)</b> BIG TWIN 1966-1984
M-4-4565	set-2	CYLINDERS, <b>**FRONT &amp; REAR** 3-5/8" (WITH PISTONS &amp; RINGS)</b> B/T 1966-1984 SET INCLUDES: (1) 4563 (1) 4-4564
		<b>**SPORTSTER 1000 C/C 61"***</b>
M-4-4553	16464-73B each	CYLINDER, <b>**FRONT** (ONLY / NO PISTON)</b> SPORTSTER 1973-1985
M-4-4554	16465-73B each	CYLINDER, <b>**REAR** (ONLY / NO PISTON)</b> SPORTSTER 1973-1985
M-4-4555	set-2	CYLINDERS, <b>**FRONT &amp; REAR** (ONLY / NO PISTONS)</b> SPORTSTER 1973-1985 SET INCLUDES: (1) 4553 (1) 4-4554
		<b>**SPORTSTER 900 C/C**</b>
M-4-4558	16464-57 each	CYLINDER, <b>**FRONT** (ONLY / NO PISTON)</b> SPORTSTER 1957-1970
M-4-4559	16465-57 each	CYLINDER, <b>**REAR** (ONLY / NO PISTON)</b> SPORTSTER 1957-1970
M-4-4560	set-2	CYLINDERS, <b>**FRONT &amp; REAR** (ONLY / NO PISTONS)</b> SPORTSTER 1957-1970 SET INCLUDES: (1) 4-4558 (1) 4-4559
		<b>**KNUCKLEHEAD 74"***</b>
M-4-4567	16483-41 each	CYLINDER, <b>**FRONT** (ONLY / NO PISTON)</b> BIG TWIN 1941-1947
M-4-4568	16492-41 each	CYLINDER, <b>**REAR** (ONLY / NO PISTON)</b> BIG TWIN 1941-1947
M-4-4569	set-2	CYLINDERS, <b>**FRONT &amp; REAR** (ONLY / NO PISTONS)</b> BIG TWIN 1941-1947 SET INCLUDES: (1) 4-4567 (1) 4-4568
		<b>**KNUCKLEHEAD 61"***</b>
M-4-4596	16483-36 each	CYLINDER, <b>**FRONT** (ONLY / NO PISTON)</b> BIG TWIN 1936-1947
M-4-4597	16490-36 each	CYLINDER, <b>**REAR** (ONLY / NO PISTON)</b> BIG TWIN 1936-1947
M-4-4598	set-2	CYLINDERS, <b>**FRONT &amp; REAR** (ONLY / NO PISTON)</b> BIG TWIN 1936-1947 SET INCLUDES: (1) 4-4596 (1) 4-4597

## **\*\*HEADS\*\***

M-4-4700	16681-39 pair 16683-39	HEADS, <b>**FRONT &amp; REAR** (ALUMINUM)</b> FORTY-FIVE 1940-1973
----------	---------------------------	--



# **\*\*EASTERN MOTORCYCLE PARTS\*\***

## **\*\*CYLINDERS\*\***

### **\*\*BIG TWIN-SPORTSTER\*\***

### **\*\*EVOLUTION 883, 1200, 1340\*\***



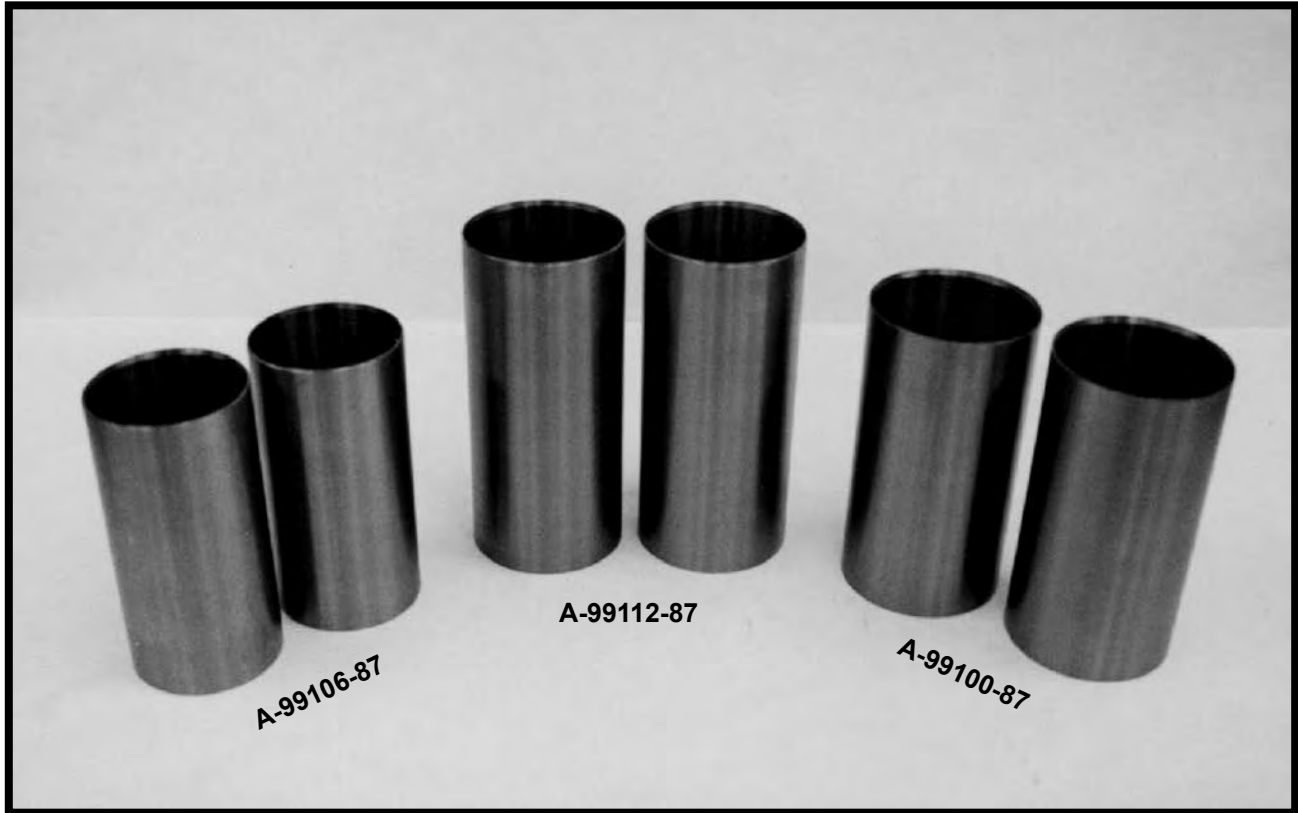
**\*\*THESE CYLINDERS ARE NOT FITTED\*\***

<u>EASTERN NUMBER</u>	<u>REPLACES OEM</u>		<u>DESCRIPTION</u>
			<b>**SPORTSTER 883 C/C**</b>
M-4-4630	16446-86A	each	CYLINDER, **FRONT OR REAR** (ONLY / NO PISTON) SPORTSTER 1986-2003
M-4-4634		set-2	CYLINDERS, **FRONT & REAR** (NOT FITTED) SPORTSTER 1986-2003 SET INCLUDES: (2) CYLINDERS, PISTONS AND RINGS
			<b>**SPORTSTER 1200 C/C**</b>
M-4-4640	16447-88	each	CYLINDER, **FRONT OR REAR** (ONLY / NO PISTON) SPORTSTER 1988-2003
M-4-4644		set-2	CYLINDERS, **FRONT & REAR** (NOT FITTED) SPORTSTER 1988-2003 SET INCLUDES: (2) CYLINDERS, PISTONS AND RINGS
			<b>**BIG TWIN 1340 C/C**</b>
M-4-4650	16510-83A	each	CYLINDER, **FRONT OR REAR** (ONLY / NO PISTON) BIG TWIN 1984-1994
M-4-4654	16510-83A	set-2	CYLINDERS, **FRONT & REAR** (NOT FITTED) BIG TWIN 1984-1994 SET INCLUDES: (2) CYLINDERS, PISTONS AND RINGS
A-16573-83	16573-83	pk-8	INSERTS, CYLINDER STUD, BIG TWIN 1984-1999, SPORTSTER 1986-PRESENT

# **\*\*EASTERN MOTORCYCLE PARTS\*\***

## **\*\*CYLINDER SLEEVES\*\***

### **\*\*BIG TWIN-SPORTSTER\*\***



#### **EASTERN NUMBER**

#### **REPLACES OEM**

#### **DESCRIPTION**

<b>A-99100-87</b>		<b>pair</b>	CYLINDER SLEEVES, 1200 C/C, 3-7/16" BORE, 6-5/8" LONG, BIG TWIN 1948-1976
<b>A-99102-87</b>		<b>pair</b>	CYLINDER SLEEVES, 1340 C/C, 3-1/2" BORE, 6-5/8" LONG, BIG TWIN 1978-1984
<b>A-99106-87</b>		<b>pair</b>	CYLINDER SLEEVES, 900 C/C, 3" BORE, 6-3/16" LONG, SPORTSTER 1957-1971
<b>A-99108-87</b>		<b>pair</b>	CYLINDER SLEEVES, 1000 C/C, 3-3/16" BORE, 6-3/16" LONG, SPORTSTER 1972-1985
<b>A-99112-87</b>		<b>pair</b>	CYLINDER SLEEVES, 1000 C/C, 3-5/16" BORE, 7-1/2" LONG, BIG TWIN 1936-1952, FLATHEAD 1937-1941
<b>A-99114-87</b>		<b>pair</b>	CYLINDER SLEEVES, 750 C/C, 2-3/4" BORE, 7" LONG, FORTY-FIVE 1929-1973, K-MODEL 1952-1956

# **\*\*EASTERN MOTORCYCLE PARTS\*\***

## **\*\*PISTONS\*\***

### **\*\*WITH RINGS\*\***

### **\*\*BIG TWIN\*\***

### **\*\*MASTER LISTING\*\***



**PISTON PIN  
FOR E-826  
PISTONS**



**PISTON PIN  
FOR 1200cc  
PISTONS**



**\*\*ALL PISTONS ARE CAST WITH STEEL STRUTS\*\***

**\*\*ALL EASTERNS PISTONS ARE \*\*IMPORTED\*\* AND SOLD IN PAIRS\*\***

<u>EASTERN NUMBER</u>	<u>REPLACES OEM</u>		<u>DESCRIPTION</u>
42-0135		each	PISTON PINS, <b>**FOR 61" PISTONS**</b> BIG TWIN 1936-1952
42-0137		each	PISTON PINS, <b>**FOR 1200 C/C PISTONS**</b> BIG TWIN 1948-1977 <b>**BIG TWIN 1200 C/C 7.2 TO 1, LOW COMPRESSION**</b> <b>**WITH 3-PIECE OIL RINGS**</b>
E-822-STD	22141-74A	pair	PISTONS, W/HASTINGS RINGS <b>**STD**</b> (3-7/16" BORE) BIG TWIN 1948-1977
E-822-010	22143-74A	pair	PISTONS, W/HASTINGS RINGS <b>**010 OVERSIZE**</b> (3-7/16" BORE) BIG TWIN 1948-1977
E-822-020	22144-74A	pair	PISTONS, W/HASTINGS RINGS <b>**020 OVERSIZE**</b> (3-7/16" BORE) BIG TWIN 1948-1977
E-822-030	22145-74A	pair	PISTONS, W/HASTINGS RINGS <b>**030 OVERSIZE**</b> (3-7/16" BORE) BIG TWIN 1948-1977
E-822-040	22146-74A	pair	PISTONS, W/HASTINGS RINGS <b>**040 OVERSIZE**</b> (3-7/16" BORE) BIG TWIN 1948-1977
E-822-050	22147-74A	pair	PISTONS, W/HASTINGS RINGS <b>**050 OVERSIZE**</b> (3-7/16" BORE) BIG TWIN 1948-1977
E-822-060	22148-74A	pair	PISTONS, W/HASTINGS RINGS <b>**060 OVERSIZE**</b> (3-7/16" BORE) BIG TWIN 1948-1977
E-822-070	22149-74A	pair	PISTONS, W/HASTINGS RINGS <b>**070 OVERSIZE**</b> (3-7/16" BORE) BIG TWIN 1948-1977
<b>**BIG TWIN 1200 C/C 8-1/2 TO 1, STD COMPRESSION**</b> <b>**WITH 3-PIECE OIL RINGS**</b>			
E-817-STD	22141-55C	pair	PISTONS, W/HASTINGS RINGS <b>**STD**</b> (3-7/16" BORE) BIG TWIN 1948-1977
E-817-010	22143-55C	pair	PISTONS, W/HASTINGS RINGS <b>**010 OVERSIZE**</b> (3-7/16" BORE) BIG TWIN 1948-1977
E-817-020	22144-55C	pair	PISTONS, W/HASTINGS RINGS <b>**020 OVERSIZE**</b> (3-7/16" BORE) BIG TWIN 1948-1977
E-817-030	22145-55C	pair	PISTONS, W/HASTINGS RINGS <b>**030 OVERSIZE**</b> (3-7/16" BORE) BIG TWIN 1948-1977
E-817-040	22146-55C	pair	PISTONS, W/HASTINGS RINGS <b>**040 OVERSIZE**</b> (3-7/16" BORE) BIG TWIN 1948-1977
E-817-050	22147-55C	pair	PISTONS, W/HASTINGS RINGS <b>**050 OVERSIZE**</b> (3-7/16" BORE) BIG TWIN 1948-1977
E-817-060	22148-55C	pair	PISTONS, W/HASTINGS RINGS <b>**060 OVERSIZE**</b> (3-7/16" BORE) BIG TWIN 1948-1977
E-817-070	22149-55C	pair	PISTONS, W/HASTINGS RINGS <b>**070 OVERSIZE**</b> (3-7/16" BORE) BIG TWIN 1948-1977

**\*\*CONTINUED NEXT PAGE\*\***

**\*5120 HILDA ROAD\* BLACKVILLE, S.C. 29817\* 803-284-3304\***

**\*Pg 187\***

# **\*\*EASTERN MOTORCYCLE PARTS\*\***

## **\*\*PISTONS\*\***

### **\*\*WITH RINGS\*\***

### **\*\*BIG TWIN\*\***

### **\*\*MASTER LISTING\*\***

<u>EASTERN NUMBER</u>	<u>REPLACES OEM</u>		<u>DESCRIPTION</u>
<b>**BIG TWIN 1200 C/C 10 TO 1, HI COMPRESSION**</b>			
<b>**WITH 3-PIECE OIL RINGS**</b>			
E-819-STD		pair	PISTONS, W/HASTINGS RINGS <b>**STD**</b> (3-7/16" BORE) BIG TWIN 1948-1977
E-819-010		pair	PISTONS, W/HASTINGS RINGS <b>**010 OVERSIZE**</b> (3-7/16" BORE) BIG TWIN 1948-'77
E-819-020		pair	PISTONS, W/HASTINGS RINGS <b>**020 OVERSIZE**</b> (3-7/16" BORE) BIG TWIN 1948-'77
E-819-030		pair	PISTONS, W/HASTINGS RINGS <b>**030 OVERSIZE**</b> (3-7/16" BORE) BIG TWIN 1948-'77
E-819-040		pair	PISTONS, W/HASTINGS RINGS <b>**040 OVERSIZE**</b> (3-7/16" BORE) BIG TWIN 1948-'77
E-819-050		pair	PISTONS, W/HASTINGS RINGS <b>**050 OVERSIZE**</b> (3-7/16" BORE) BIG TWIN 1948-'77
E-819-060		pair	PISTONS, W/HASTINGS RINGS <b>**060 OVERSIZE**</b> (3-7/16" BORE) BIG TWIN 1948-'77
E-819-070		pair	PISTONS, W/HASTINGS RINGS <b>**070 OVERSIZE**</b> (3-7/16" BORE) BIG TWIN 1948-'77
<b>**BIG TWIN 1340 C/C 7.2 TO 1, LOW COMPRESSION**</b>			
<b>**WITH 3-PIECE OIL RINGS**</b>			
E-821-STD	22190-81A	pair	PISTONS, W/HASTINGS RINGS <b>**STD**</b> (3-1/2" BORE) BIG TWIN 1978-1984
E-821-010	22191-81A	pair	PISTONS, W/HASTINGS RINGS <b>**010 OVERSIZE**</b> (3-1/2" BORE) BIG TWIN 1978-1984
E-821-020	22192-81A	pair	PISTONS, W/HASTINGS RINGS <b>**020 OVERSIZE**</b> (3-1/2" BORE) BIG TWIN 1978-1984
E-821-030	22193-81A	pair	PISTONS, W/HASTINGS RINGS <b>**030 OVERSIZE**</b> (3-1/2" BORE) BIG TWIN 1978-1984
E-821-040	22194-81A	pair	PISTONS, W/HASTINGS RINGS <b>**040 OVERSIZE**</b> (3-1/2" BORE) BIG TWIN 1978-1984
E-821-050		pair	PISTONS, W/HASTINGS RINGS <b>**050 OVERSIZE**</b> (3-1/2" BORE) BIG TWIN 1978-1984
<b>**BIG TWIN 1340 C/C 8 TO 1, STD COMPRESSION**</b>			
<b>**WITH 3-PIECE OIL RINGS**</b>			
E-824-STD	22191-78	pair	PISTONS, W/HASTINGS RINGS <b>**STD**</b> (3-1/2" BORE) BIG TWIN 1978-1984
E-824-010	22192-78	pair	PISTONS, W/HASTINGS RINGS <b>**010 OVERSIZE**</b> (3-1/2" BORE) BIG TWIN 1978-1984
E-824-020	22194-78	pair	PISTONS, W/HASTINGS RINGS <b>**020 OVERSIZE**</b> (3-1/2" BORE) BIG TWIN 1978-1984
E-824-030	22196-78	pair	PISTONS, W/HASTINGS RINGS <b>**030 OVERSIZE**</b> (3-1/2" BORE) BIG TWIN 1978-1984
E-824-040		pair	PISTONS, W/HASTINGS RINGS <b>**040 OVERSIZE**</b> (3-1/2" BORE) BIG TWIN 1978-1984
<b>**BIG TWIN, EVOLUTION 1340 C/C 8.5 TO 1, STD COMPRESSION**</b>			
<b>**WITH 3-PIECE OIL RINGS**</b>			
E-837-STD	21940-83	pair	PISTONS, <i>WITH IMPORTED RINGS</i> <b>**STD**</b> (3-1/2" BORE) BIG TWIN 1984-1999
E-837-005	21941-83	pair	PISTONS, W/HASTINGS RINGS <b>**005 OVERSIZE**</b> (3-1/2" BORE) BIG TWIN 1984-'99
E-837-010	21942-83	pair	PISTONS, <i>WITH IMPORT RINGS</i> <b>**010 OVERSIZE**</b> (3-1/2" BORE) BIG TWIN 1984-'99
E-837-020	21943-83	pair	PISTONS, <i>WITH IMPORT RINGS</i> <b>**020 OVERSIZE**</b> (3-1/2" BORE) BIG TWIN 1984-'99
E-837-030	21944-83	pair	PISTONS, <i>WITH IMPORT RINGS</i> <b>**030 OVERSIZE**</b> (3-1/2" BORE) BIG TWIN 1984-'99
E-837-040	21945-83	pair	PISTONS, <i>WITH IMPORT RINGS</i> <b>**040 OVERSIZE**</b> (3-1/2" BORE) BIG TWIN 1984-'99
<b>**BIG TWIN 61" C/C 7-1/2 TO 1, STD COMPRESSION**</b>			
<b>**WITH 3-PIECE OIL RINGS**</b>			
E-826-STD	22141-48	pair	PISTONS, W/HASTINGS RINGS <b>**STD**</b> (3-5/16" BORE) BIG TWIN 1936-1952
E-826-010	22143-48	pair	PISTONS, W/HASTINGS RINGS <b>**010 OVERSIZE**</b> (3-5/16" BORE) BIG TWIN 1936-'52
E-826-020	22144-48	pair	PISTONS, W/HASTINGS RINGS <b>**020 OVERSIZE**</b> (3-5/16" BORE) BIG TWIN 1936-'52
E-826-030	22145-48	pair	PISTONS, W/HASTINGS RINGS <b>**030 OVERSIZE**</b> (3-5/16" BORE) BIG TWIN 1936-'52
E-826-040	22146-48	pair	PISTONS, W/HASTINGS RINGS <b>**040 OVERSIZE**</b> (3-5/16" BORE) BIG TWIN 1936-'52
E-826-050	22147-48	pair	PISTONS, W/HASTINGS RINGS <b>**050 OVERSIZE**</b> (3-5/16" BORE) BIG TWIN 1936-'52
E-826-060	22148-48	pair	PISTONS, W/HASTINGS RINGS <b>**060 OVERSIZE**</b> (3-5/16" BORE) BIG TWIN 1936-'52
E-826-070	22149-48	pair	PISTONS, W/HASTINGS RINGS <b>**070 OVERSIZE**</b> (3-5/16" BORE) BIG TWIN 1936-'52
E-826-080		pair	PISTONS, <i>WITH IMPORT RINGS</i> <b>**080 OVERSIZE**</b> (3-5/16" BORE) BIG TWIN 1936-'52
E-826-090		pair	PISTONS, <i>WITH IMPORT RINGS</i> <b>**090 OVERSIZE**</b> (3-5/16" BORE) BIG TWIN 1936-'52

# **\*\*EASTERN MOTORCYCLE PARTS\*\***

## **\*\*PISTONS\*\***

### **\*\*WITH RINGS\*\***

### **\*\*BIG TWIN\*\***

### **\*\*MASTER LISTING\*\***

<b><u>EASTERN NUMBER</u></b>	<b><u>REPLACES OEM</u></b>		<b><u>DESCRIPTION</u></b>
			<b>**BIG TWIN, FLATHEAD 74" 6 TO 1 COMPRESSION**</b>
			<b>**WITH SINGLE PIECE OIL RINGS**</b>
E-834-STD	22216-37	pair	PISTONS, <b>WITH IMPORT RINGS</b> <b>**STD**</b> (3-5/16" BORE) BIG TWIN 1937-1948
E-834-010	22218-37	pair	PISTONS, <b>WITH IMPORT RINGS</b> <b>**010 OVERSIZE**</b> (3-5/16" BORE) BIG TWIN 1937-'48
E-834-020	22219-37	pair	PISTONS, <b>W/HASTINGS RINGS</b> <b>**020 OVERSIZE**</b> (3-5/16" BORE) BIG TWIN 1937-'48
E-834-030	22220-37	pair	PISTONS, <b>WITH IMPORT RINGS</b> <b>**030 OVERSIZE**</b> (3-5/16" BORE) BIG TWIN 1937-'48
E-834-040	22221-37	pair	PISTONS, <b>W/HASTINGS RINGS</b> <b>**040 OVERSIZE**</b> (3-5/16" BORE) BIG TWIN 1937-'48
E-834-050	22222-37	pair	PISTONS, <b>WITH IMPORT RINGS</b> <b>**050 OVERSIZE**</b> (3-5/16" BORE) BIG TWIN 1937-'48
E-834-060	22223-37	pair	PISTONS, <b>WITH IMPORT RINGS</b> <b>**060 OVERSIZE**</b> (3-5/16" BORE) BIG TWIN 1937-'48
E-834-070	22224-37	pair	PISTONS, <b>WITH IMPORT RINGS</b> <b>**070 OVERSIZE**</b> (3-5/16" BORE) BIG TWIN 1937-'48
E-834-080		pair	PISTONS, <b>WITH IMPORT RINGS</b> <b>**080 OVERSIZE**</b> (3-5/16" BORE) BIG TWIN 1937-'48
E-834-090		pair	PISTONS, <b>WITH IMPORT RINGS</b> <b>**090 OVERSIZE**</b> (3-5/16" BORE) BIG TWIN 1937-'48
			<b>**BIG TWIN, FLATHEAD 80" 6 TO 1 COMPRESSION**</b>
			<b>**WITH SINGLE PIECE OIL RINGS**</b>
E-836-STD	22216-30	pair	PISTONS, <b>W/HASTINGS RINGS</b> <b>**STD**</b> (3-7/16" BORE) BIG TWIN 1937-1948
E-836-010	22218-30	pair	PISTONS, <b>W/HASTINGS RINGS</b> <b>**010 OVERSIZE**</b> (3-7/16" BORE) BIG TWIN 1937-'48
E-836-020	22219-30	pair	PISTONS, <b>W/HASTINGS RINGS</b> <b>**020 OVERSIZE**</b> (3-7/16" BORE) BIG TWIN 1937-'48
E-836-030	22220-30	pair	PISTONS, <b>W/HASTINGS RINGS</b> <b>**030 OVERSIZE**</b> (3-7/16" BORE) BIG TWIN 1937-'48
E-836-040	22221-30	pair	PISTONS, <b>W/HASTINGS RINGS</b> <b>**040 OVERSIZE**</b> (3-7/16" BORE) BIG TWIN 1937-'48
E-836-050	22222-30	pair	PISTONS, <b>W/HASTINGS RINGS</b> <b>**050 OVERSIZE**</b> (3-7/16" BORE) BIG TWIN 1937-'48
E-836-060	22223-30	pair	PISTONS, <b>W/HASTINGS RINGS</b> <b>**060 OVERSIZE**</b> (3-7/16" BORE) BIG TWIN 1937-'48
E-836-070	22224-30	pair	PISTONS, <b>W/HASTINGS RINGS</b> <b>**070 OVERSIZE**</b> (3-7/16" BORE) BIG TWIN 1937-'48
E-836-080		pair	PISTONS, <b>W/HASTINGS RINGS</b> <b>**080 OVERSIZE**</b> (3-7/16" BORE) BIG TWIN 1937-'48
			<b>**BIG TWIN, **1550 C/C 10.25 TO 1 COMPRESSION**</b>
			<b>**WITH 3-PIECE OIL RINGS**</b>
E-857-STD	22661-99A	pair	PISTONS, <b>W/HASTINGS RINGS</b> <b>**STD**</b> (2-CAM) BIG TWIN 1999-PRESENT
E-857-005	22174-99A	pair	PISTONS, <b>W/HASTINGS RINGS</b> <b>**005 OVERSIZE**</b> (2-CAM) BIG TWIN 1999-PRESENT
E-857-010	22179-99A	pair	PISTONS, <b>W/HASTINGS RINGS</b> <b>**010 OVERSIZE**</b> (2-CAM) BIG TWIN 1999-PRESENT
E-857-020	22147-99A	pair	PISTONS, <b>W/HASTINGS RINGS</b> <b>**020 OVERSIZE**</b> (2-CAM) BIG TWIN 1999-PRESENT
E-857-030		pair	PISTONS, <b>W/HASTINGS RINGS</b> <b>**030 OVERSIZE**</b> (2-CAM) BIG TWIN 1999-PRESENT
E-857-040		pair	PISTONS, <b>W/HASTINGS RINGS</b> <b>**040 OVERSIZE**</b> (2-CAM) BIG TWIN 1999-PRESENT

**\*\*CONTINUED NEXT PAGE\*\***

# **\*\*EASTERN MOTORCYCLE PARTS\*\***

## **\*\*PISTONS\*\***

### **\*\*WITH RINGS\*\***

### **\*\*SPORTSTER\*\***

### **\*\*MASTER LISTING\*\***

<b><u>EASTERN NUMBER</u></b>	<b><u>REPLACES OEM</u></b>		<b><u>DESCRIPTION</u></b>
			<b>**SPORTSTER 900 C/C 9 TO 1, STD COMPRESSION**</b>
			<b>**WITH 3-PIECE OIL RINGS**</b>
E-815-STD	22251-57A	pair	PISTONS, <i>WITH IMPORT RINGS</i> , <b>**STD**</b> (3" BORE) SPORTSTER 1957-1971
E-815-010	22253-57A		PISTONS, <i>WITH IMPORT RINGS</i> , <b>**010 OVERSIZE**</b> (3" BORE) SPORTSTER 1957-1971
E-815-020	22254-57A		PISTONS, <i>WITH IMPORT RINGS</i> , <b>**020 OVERSIZE**</b> (3" BORE) SPORTSTER 1957-1971
E-815-030	22255-57A		PISTONS, <i>W/HASTINGS RINGS</i> , <b>**030 OVERSIZE**</b> (3" BORE) SPORTSTER 1957-1971
E-815-040	22256-57A		PISTONS, <i>W/HASTINGS RINGS</i> , <b>**040 OVERSIZE**</b> (3" BORE) SPORTSTER 1957-1971
E-815-050	22257-57A		PISTONS, <i>W/HASTINGS RINGS</i> , <b>**050 OVERSIZE**</b> (3" BORE) SPORTSTER 1957-1971
E-815-060	22258-57A		PISTONS, <i>WITH IMPORT RINGS</i> , <b>**060 OVERSIZE**</b> (3" BORE) SPORTSTER 1957-1971
E-815-070	22259-57A		PISTONS, <i>WITH IMPORT RINGS</i> , <b>**070 OVERSIZE**</b> (3" BORE) SPORTSTER 1957-1971
			<b>**SPORTSTER 1000 C/C 9 TO 1, STD COMPRESSION**</b>
			<b>**WITH 3-PIECE OIL RINGS**</b>
E-816-STD	22251-72A	pair	PISTONS, <i>WITH IMPORT RINGS</i> , <b>**STD**</b> (3-3/16" BORE) SPORTSTER 1972-1985
E-816-010	22253-72A	pair	PISTONS, <i>W/HASTINGS RING</i> <b>**010 OVERSIZE**</b> (3-3/16" BORE) SPORTSTER 1972-'85
E-816-020	22254-72A	pair	PISTONS, <i>W/HASTINGS RING</i> <b>**020 OVERSIZE**</b> (3-3/16" BORE) SPORTSTER 1972-'85
E-816-030	22255-72A	pair	PISTONS, <i>WITH IMPORT RINGS</i> , <b>**030 OVERSIZE**</b> (3-3/16" BORE) SPORT. 1972-1985
E-816-040	22256-73A	pair	PISTONS, <i>WITH IMPORT RINGS</i> , <b>**040 OVERSIZE**</b> (3-3/16" BORE) SPORT. 1972-1985
E-816-050	22257-73A	pair	PISTONS, <i>W/HASTINGS RING</i> <b>**050 OVERSIZE**</b> (3-3/16" BORE) SPORTSTER 1972-'85
E-816-060	22258-73A	pair	PISTONS, <i>WITH IMPORT RINGS</i> , <b>**060 OVERSIZE**</b> (3-3/16" BORE) SPORT. 1972-1985
E-816-070	22259-73A	pair	PISTONS, <i>WITH IMPORT RINGS</i> , <b>**070 OVERSIZE**</b> (3-3/16" BORE) SPORT. 1972-1985
			<b>**SPORTSTER 1000 C/C 8 TO 1, LOW COMPRESSION**</b>
			<b>**WITH 3-PIECE OIL RINGS**</b>
E-831-STD	22251-83A	pair	PISTONS, <i>WITH IMPORT RINGS</i> , <b>**STD**</b> (3-3/16" BORE) SPORTSTER 1972-1985
E-831-010	22253-83A	pair	PISTONS, <i>W/HASTINGS RING</i> <b>**010 OVERSIZE**</b> (3-3/16" BORE) SPORT. 1972-1985
E-831-020	22254-83A	pair	PISTONS, <i>W/HASTINGS RING</i> <b>**020 OVERSIZE**</b> (3-3/16" BORE) SPORT. 1972-1985
E-831-030	22255-83A	pair	PISTONS, <i>WITH IMPORT RINGS</i> , <b>**030 OVERSIZE**</b> (3-3/16" BORE) SPORT. 1972-1985
E-831-040	22256-83A	pair	PISTONS, <i>WITH IMPORT RINGS</i> , <b>**040 OVERSIZE**</b> (3-3/16" BORE) SPORT. 1972-1985
E-831-050	22257-83A	pair	PISTONS, <i>W/HASTINGS RING</i> <b>**050 OVERSIZE**</b> (3-3/16" BORE) SPORT. 1972-1985
E-831-060	22258-83A	pair	PISTONS, <i>WITH IMPORT RINGS</i> , <b>**060 OVERSIZE**</b> (3-3/16" BORE) SPORT. 1972-1985
E-831-070	22259-83A	pair	PISTONS, <i>WITH IMPORT RINGS</i> , <b>**070 OVERSIZE**</b> (3-3/16" BORE) SPORT. 1972-1985
			<b>**SPORTSTER, K-MODEL, 45", STD COMPRESSION**</b>
			<b>**WITH SINGLE PIECE OIL RINGS**</b>
E-827-STD	22251-52	pair	PISTONS, <i>W/HASTINGS RINGS</i> , <b>**STD**</b> (2-3/4" BORE) SPORTSTER 1952-1956
E-827-010	22253-52	pair	PISTONS, <i>W/HASTINGS RING</i> <b>**010 OVERSIZE**</b> (2-3/4" BORE) SPORTSTER 1952-1956
E-827-020	22254-52	pair	PISTONS, <i>W/HASTINGS RING</i> <b>**020 OVERSIZE**</b> (2-3/4" BORE) SPORTSTER 1952-1956
E-827-030	22255-52	pair	PISTONS, <i>W/HASTINGS RING</i> <b>**030 OVERSIZE**</b> (2-3/4" BORE) SPORTSTER 1952-1956
E-827-040	22256-52	pair	PISTONS, <i>W/HASTINGS RING</i> <b>**040 OVERSIZE**</b> (2-3/4" BORE) SPORTSTER 1952-1956
E-827-050	22257-52	pair	PISTONS, <i>W/HASTINGS RING</i> <b>**050 OVERSIZE**</b> (2-3/4" BORE) SPORTSTER 1952-1956
E-827-060	22258-52	pair	PISTONS, <i>W/HASTINGS RING</i> <b>**060 OVERSIZE**</b> (2-3/4" BORE) SPORTSTER 1952-1956
E-827-070	22259-52	pair	PISTONS, <i>W/HASTINGS RING</i> <b>**070 OVERSIZE**</b> (2-3/4" BORE) SPORTSTER 1952-1956
E-827-080		pair	PISTONS, <i>W/HASTINGS RING</i> <b>**080 OVERSIZE**</b> (2-3/4" BORE) SPORTSTER 1952-1956

**\*\*CONTINUED NEXT PAGE\*\***

# **\*\*EASTERN MOTORCYCLE PARTS\*\***

## **\*\*PISTONS\*\***

### **\*\*WITH RINGS\*\***

### **\*\*SPORTSTER/FORTY-FIVE\*\***

### **\*\*MASTER LISTING\*\***

<b><u>EASTERN NUMBER</u></b>	<b><u>REPLACES OEM</u></b>		<b><u>DESCRIPTION</u></b>
<b>*SPORTSTER, EVOLUTION 883 C/C 9 TO 1, STD COMPRESSION*</b>			
<b>**WITH 3-PIECE OIL RINGS**</b>			
E-838-STD	22242-86	pair	PISTONS, W/HASTINGS RINGS <b>**STD**</b> (3" BORE) SPORTSTER 1986-2003
E-838-005	22201-86	pair	PISTONS, W/HASTINGS RINGS <b>**005 OVERSIZE**</b> (3" BORE) SPORTSTER 1986-2003
E-838-010	22253-86	pair	PISTONS, W/HASTINGS RINGS <b>**010 OVERSIZE**</b> (3" BORE) SPORTSTER 1986-2003
E-838-020	22254-86	pair	PISTONS, W/HASTINGS RINGS <b>**020 OVERSIZE**</b> (3" BORE) SPORTSTER 1986-2003
E-838-030	22255-86	pair	PISTONS, W/HASTINGS RINGS <b>**030 OVERSIZE**</b> (3" BORE) SPORTSTER 1986-2003
E-838-040	22256-86	pair	PISTONS, W/HASTINGS RINGS <b>**040 OVERSIZE**</b> (3" BORE) SPORTSTER 1986-2003
<b>*SPORTSTER, EVOLUTION 1100 C/C 9 TO 1, STD COMPRESSION*</b>			
<b>**WITH 3-PIECE OIL RINGS**</b>			
E-839-STD	22243-86	pair	PISTONS, W/HASTINGS RINGS <b>**STD**</b> (3-5/16" BORE) SPORTSTER 1986-1987
E-839-005	22205-86	pair	PISTONS, W/HASTINGS RINGS <b>**005 OVERSIZE**</b> (3-5/16" BORE) SPORT. 1986-1987
E-839-010	22216-86	pair	PISTONS, W/HASTINGS RINGS <b>**010 OVERSIZE**</b> (3-5/16" BORE) SPORT. 1986-1987
E-839-020	22220-86	pair	PISTONS, W/HASTINGS RINGS <b>**020 OVERSIZE**</b> (3-5/16" BORE) SPORT. 1986-1987
E-839-030	22225-86	pair	PISTONS, W/HASTINGS RINGS <b>**030 OVERSIZE**</b> (3-5/16" BORE) SPORT. 1986-1987
E-839-040	22229-86	pair	PISTONS, W/HASTINGS RINGS <b>**040 OVERSIZE**</b> (3-5/16" BORE) SPORT. 1986-1987
<b>*SPORTSTER, EVOLUTION 1200 C/C 9 TO 1, STD COMPRESSION*</b>			
<b>**WITH 3-PIECE OIL RINGS**</b>			
E-844-STD	22243-88	pair	PISTONS, <i>WITH IMPORTED RINGS</i> , <b>**STD**</b> (3-1/2" BORE) SPORTSTER 1988-2003
E-844-005	22205-88	pair	PISTONS, <i>WITH IMPORTED RINGS</i> , <b>**005 OVERSIZE**</b> (3-1/2" BORE) SPORT. 1988-2003
E-844-010	22216-88	pair	PISTONS, <i>WITH IMPORTED RINGS</i> , <b>**010 OVERSIZE**</b> (3-1/2" BORE) SPORT. 1988-2003
E-844-020	22220-88	pair	PISTONS, <i>WITH IMPORTED RINGS</i> , <b>**020 OVERSIZE**</b> (3-1/2" BORE) SPORT. 1988-2003
E-844-030	22225-88	pair	PISTONS, <i>WITH IMPORTED RINGS</i> , <b>**030 OVERSIZE**</b> (3-1/2" BORE) SPORT. 1988-2003
E-844-040			PISTONS, <i>WITH IMPORTED RINGS</i> , <b>**040 OVERSIZE**</b> (3-1/2" BORE) SPORT. 1988-2003
<b>**FORTY-FIVE, FLATHEAD 750 C/C 6 TO 1, STD COMPRESSION**</b>			
<b>**WITH SINGLE PIECE OIL RINGS**</b>			
E-825-STD	22251-29A	pair	PISTONS, W/HASTINGS RINGS, <b>**STD**</b> (2-3/4" BORE) FORTY-FIVE 1929-1973
E-825-010	22253-29A	pair	PISTONS, W/HASTINGS RINGS <b>**010 OVERSIZE**</b> (2-3/4") FORTY-FIVE 1929-1973
E-825-020	22254-29A	pair	PISTONS, W/HASTINGS RINGS <b>**020 OVERSIZE**</b> (2-3/4") FORTY-FIVE 1929-1973
E-825-030	22255-29A	pair	PISTONS, W/HASTINGS RINGS <b>**030 OVERSIZE**</b> (2-3/4") FORTY-FIVE 1929-1973
E-825-040	22256-29A	pair	PISTONS, W/HASTINGS RINGS <b>**040 OVERSIZE**</b> (2-3/4") FORTY-FIVE 1929-1973
E-825-050	22257-29A	pair	PISTONS, W/HASTINGS RINGS <b>**050 OVERSIZE**</b> (2-3/4") FORTY-FIVE 1929-1973
E-825-060	22258-29A	pair	PISTONS, W/HASTINGS RINGS <b>**060 OVERSIZE**</b> (2-3/4") FORTY-FIVE 1929-1973
E-825-070	22259-29A	pair	PISTONS, W/HASTINGS RINGS <b>**070 OVERSIZE**</b> (2-3/4") FORTY-FIVE 1929-1973
E-825-080		pair	PISTONS, W/HASTINGS RINGS <b>**080 OVERSIZE**</b> (2-3/4") FORTY-FIVE 1929-1973
E-825-090		pair	PISTONS, <i>WITH IMPORTED RINGS</i> , <b>**090 OVERSIZE**</b> (2-3/4") FORTY-FIVE 1929-1973

**\*\*CONTINUED NEXT PAGE\*\***

# **\*\*EASTERN MOTORCYCLE PARTS\*\***

## **\*\*PISTONS\*\***

### **\*\*WITH RINGS\*\***

### **\*\*BIG TWIN BIG BORE & STROKER\*\***



#### **EASTERN NUMBER**

#### **REPLACES OEM**

#### **DESCRIPTION**

		<b>**BIG BORE, 3-5/8" BORE, 4-1/2" STROKE**</b>
		<b>**WITH 3-PIECE OIL RINGS**</b>
E-840-STD	pair	PISTONS, <i>WITH IMPORT RINGS</i> , <b>**STD**</b> (3-5/8" BORE) BIG TWIN 1948-1984
E-840-010	pair	PISTONS, <i>WITH IMPORT RINGS</i> , <b>**010 OVERSIZE**</b> (3-5/8" BORE) BIG TWIN 1948-1984
E-840-020	pair	PISTONS, <i>WITH IMPORT RINGS</i> , <b>**020 OVERSIZE**</b> (3-5/8" BORE) BIG TWIN 1948-1984
E-840-030	pair	PISTONS, <i>WITH IMPORT RINGS</i> , <b>**030 OVERSIZE**</b> (3-5/8" BORE) BIG TWIN 1948-1984
E-840-040	pair	PISTONS, <i>WITH IMPORT RINGS</i> , <b>**040 OVERSIZE**</b> (3-5/8" BORE) BIG TWIN 1948-1984
E-840-050	pair	PISTONS, <i>WITH IMPORT RINGS</i> , <b>**050 OVERSIZE**</b> (3-5/8" BORE) BIG TWIN 1948-1984
E-840-060	pair	PISTONS, <i>WITH IMPORT RINGS</i> , <b>**060 OVERSIZE**</b> (3-5/8" BORE) BIG TWIN 1948-1984
E-840-070	pair	PISTONS, <i>WITH IMPORT RINGS</i> , <b>**070 OVERSIZE**</b> (3-5/8" BORE) BIG TWIN 1948-1984
E-840-080	pair	PISTONS, <i>WITH IMPORT RINGS</i> , <b>**080 OVERSIZE**</b> (3-5/8" BORE) BIG TWIN 1948-1984
		<b>**BIG TWIN 84" STROKER, 3-7/16" BORE, 4-1/2" STROKE**</b>
		<b>**WITH 3-PIECE OIL RINGS**</b>
E-848-STD	pair	PISTONS, <i>W/HASTINGS RINGS</i> , <b>**STD**</b> (3-7/16" BORE) BIG TWIN 1936-1977
E-848-010	pair	PISTONS, <i>W/HASTINGS RINGS</i> , <b>**010 OVERSIZE**</b> (3-7/16" BORE) BIG TWIN 1936-'77
E-848-020	pair	PISTONS, <i>W/HASTINGS RINGS</i> , <b>**020 OVERSIZE**</b> (3-7/16" BORE) BIG TWIN 1936-'77
E-848-030	pair	PISTONS, <i>W/HASTINGS RINGS</i> , <b>**030 OVERSIZE**</b> (3-7/16" BORE) BIG TWIN 1936-'77
E-848-040	pair	PISTONS, <i>W/HASTINGS RINGS</i> , <b>**040 OVERSIZE**</b> (3-7/16" BORE) BIG TWIN 1936-'77
E-848-050	pair	PISTONS, <i>W/HASTINGS RINGS</i> , <b>**050 OVERSIZE**</b> (3-7/16" BORE) BIG TWIN 1936-'77
E-848-060	pair	PISTONS, <i>W/HASTINGS RINGS</i> , <b>**060 OVERSIZE**</b> (3-7/16" BORE) BIG TWIN 1936-'77
E-848-070	pair	PISTONS, <i>W/HASTINGS RINGS</i> , <b>**070 OVERSIZE**</b> (3-7/16" BORE) BIG TWIN 1936-'77
		<b>**BIG TWIN 86" STROKER, 3-1/2" BORE, 4-1/2" STROKE**</b>
		<b>**WITH 3-PIECE OIL RINGS**</b>
E-849-STD	pair	PISTONS, <i>W/HASTINGS RINGS</i> , <b>**STD**</b> (3-1/2" BORE) BIG TWIN 1978-1984
E-849-010	pair	PISTONS, <i>W/HASTINGS RINGS</i> , <b>**010 OVERSIZE**</b> (3-1/2" BORE) BIG TWIN 1978-1984
E-849-020	pair	PISTONS, <i>W/HASTINGS RINGS</i> , <b>**020 OVERSIZE**</b> (3-1/2" BORE) BIG TWIN 1978-1984
E-849-030	pair	PISTONS, <i>W/HASTINGS RINGS</i> , <b>**030 OVERSIZE**</b> (3-1/2" BORE) BIG TWIN 1978-1984
E-849-040	pair	PISTONS, <i>W/HASTINGS RINGS</i> , <b>**040 OVERSIZE**</b> (3-1/2" BORE) BIG TWIN 1978-1984

**\*\*CONTINUED ON NEXT PAGE\*\***

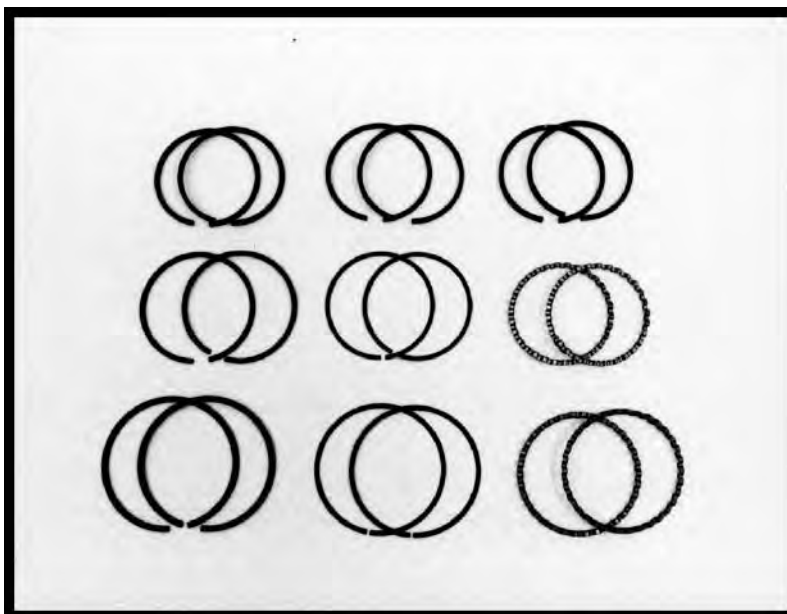
**\*5120 HILDA ROAD\* BLACKVILLE, S.C. 29817\* 803-284-3304\***



# **\*\*EASTERN MOTORCYCLE PARTS\*\***

## **\*\*PISTON RINGS\*\***

### **\*\*BIG TWIN-SPORTSTER\*\***



**\*\*ALL EASTERNS PISTON RINGS ARE SOLD IN PAIRS\*\***

<b><u>EASTERN NUMBER</u></b>	<b><u>REPLACES OEM</u></b>	<b><u>DESCRIPTION</u></b>
<b>**BIG TWIN 1200 C/C**    **CAST**    **3-7/16" BORE**</b>		
<b>**HASTINGS**</b>		
10-0300	22325-55B	PISTON RINGS, (STD) **3-PIECE OIL RING** BIG TWIN 1948-1980 **HASTINGS**
10-0301	22327-55B	PISTON RINGS, (.010) **3-PIECE OIL RING** BIG TWIN 1948-1980 **HASTINGS**
10-0302	22328-55B	PISTON RINGS, (.020) **3-PIECE OIL RING** BIG TWIN 1948-1980 **HASTINGS**
10-0303	22329-55B	PISTON RINGS, (.030) **3-PIECE OIL RING** BIG TWIN 1948-1980 **HASTINGS**
10-0304	22330-55B	PISTON RINGS, (.040) **3-PIECE OIL RING** BIG TWIN 1948-1980 **HASTINGS**
10-0305	22331-55B	PISTON RINGS, (.050) **3-PIECE OIL RING** BIG TWIN 1948-1980 **HASTINGS**
10-0306	22334-78B	PISTON RINGS, (.060) **3-PIECE OIL RING** BIG TWIN 1948-1980 **HASTINGS**
10-0307	22335-78B	PISTON RINGS, (.070) **3-PIECE OIL RING** BIG TWIN 1948-1980 **HASTINGS**
<b>**BIG TWIN 1200 C/C**    **MOLY**    **3-7/16" BORE**</b>		
<b>**HASTINGS**</b>		
10-0310	22325-55B	PISTON RINGS, (STD) **3-PIECE OIL RING** BIG TWIN 1948-1980 **HASTINGS**
10-0311	22327-55B	PISTON RINGS, (.010) **3-PIECE OIL RING** BIG TWIN 1948-1980 **HASTINGS**
10-0312	22328-55B	PISTON RINGS, (.020) **3-PIECE OIL RING** BIG TWIN 1948-1980 **HASTINGS**
10-0313	22329-55B	PISTON RINGS, (.030) **3-PIECE OIL RING** BIG TWIN 1948-1980 **HASTINGS**
10-0314	22330-55B	PISTON RINGS, (.040) **3-PIECE OIL RING** BIG TWIN 1948-1980 **HASTINGS**
10-0315	22331-55B	PISTON RINGS, (.050) **3-PIECE OIL RING** BIG TWIN 1948-1980 **HASTINGS**
10-0316	22334-78B	PISTON RINGS, (.060) **3-PIECE OIL RING** BIG TWIN 1948-1980 **HASTINGS**
10-0317	22335-78B	PISTON RINGS, (.070) **3-PIECE OIL RING** BIG TWIN 1948-1980 **HASTINGS**
<b>**BIG TWIN 1340 C/C**    **CAST**    **3-1/2" BORE**</b>		
<b>**HASTINGS**</b>		
10-0330	22334-78A	PISTON RINGS, (STD) **3-PIECE OIL RING** BIG TWIN 1978-1983 **HASTINGS**
10-0331	22335-78A	PISTON RINGS, (.010) **3-PIECE OIL RING** BIG TWIN 1978-1983 **HASTINGS**
10-0332	22336-78A	PISTON RINGS, (.020) **3-PIECE OIL RING** BIG TWIN 1978-1983 **HASTINGS**
10-0333	22337-78A	PISTON RINGS, (.030) **3-PIECE OIL RING** BIG TWIN 1978-1983 **HASTINGS**
10-0334	22338-78A	PISTON RINGS, (.040) **3-PIECE OIL RING** BIG TWIN 1978-1983 **HASTINGS**

# **\*\*EASTERN MOTORCYCLE PARTS\*\***

## **\*\*PISTON RINGS\*\***

### **\*\*BIG TWIN\*\***

#### **\*\*MASTER LISTING\*\***

<b><u>EASTERN NUMBER</u></b>	<b><u>REPLACES OEM</u></b>	<b><u>DESCRIPTION</u></b>
		<b>**BIG TWIN 1340 C/C** *CAST* **3-1/2" BORE**</b> <b>**IMPORTED**</b>
H-6127-STD	22334-78A	<b>**DISCONTINUED** USE HASTINGS RINGS, PART #10-0330</b>
H-6127-010	22335-78A	<b>**DISCONTINUED** USE HASTINGS RINGS, PART #10-0331</b>
H-6127-020	22336-78A	<b>**DISCONTINUED** USE HASTINGS RINGS, PART #10-0332</b>
H-6127-030	22337-78A	PISTON RINGS, (.030) **3-PIECE OIL RING** BIG TWIN 1978-1984 <b>**IMPORTED**</b>
H-6127-040	22338-78A	<b>**DISCONTINUED** USE HASTINGS RINGS, PART #10-0334</b>
H-6127-050	22339-78A	PISTON RINGS, (.050) **3-PIECE OIL RING** BIG TWIN 1978-1984 <b>**IMPORTED**</b>
		<b>**BIG TWIN 61" O/V &amp; 74" FLATHEAD** *CAST* **3-5/16" BORE**</b> <b>(THICK COMPRESSION)</b>
H-7024-STD	22325-36	PISTON RINGS, (STD) **3-PIECE OIL RING** BIG TWIN 1936-1947 <b>**HASTINGS**</b>
H-7024-010	22327-36	PISTON RINGS, (.010) **3-PIECE OIL RING** BIG TWIN 1936-1947 <b>**HASTINGS**</b>
H-7024-020	22328-36	PISTON RINGS, (.020) **3-PIECE OIL RING** BIG TWIN 1936-1947 <b>**HASTINGS**</b>
H-7024-030	22329-36	PISTON RINGS, (.030) **3-PIECE OIL RING** BIG TWIN 1936-1947 <b>**HASTINGS**</b>
H-7024-040	22330-36	PISTON RINGS, (.040) **3-PIECE OIL RING** BIG TWIN 1936-1947 <b>**HASTINGS**</b>
H-7024-050	22331-36	PISTON RINGS, (.050) **3-PIECE OIL RING** BIG TWIN 1936-1947 <b>**HASTINGS**</b>
H-7024-060	22332-36	PISTON RINGS, (.060) **3-PIECE OIL RING** BIG TWIN 1936-1947 <b>**HASTINGS**</b>
H-7024-070	22333-36	PISTON RINGS, (.070) **3-PIECE OIL RING** BIG TWIN 1936-1947 <b>**HASTINGS**</b>
H-7024-080		PISTON RINGS, (.080) **3-PIECE OIL RING** BIG TWIN 1936-1947 <b>**IMPORTED**</b>
H-7024-100		PISTON RINGS, (.100) **3-PIECE OIL RING** BIG TWIN 1936-1947 <b>**IMPORTED**</b>
		<b>**BIG TWIN 61" O/V &amp; 74" FLATHEAD** *CAST* **3-5/16" BORE**</b>
H-4250-STD	22325-48	PISTON RINGS, (STD) **1-PIECE OIL RING** BIG TWIN 1948-1952, FLATHEAD 1937-1948
H-4250-010	22327-48	PISTON RINGS, (.010) **1-PIECE OIL RING** BIG TWIN 1948-1952, FLATHEAD 1937-1948
H-4250-020	22328-48	PISTON RINGS, (.020) **1-PIECE OIL RING** BIG TWIN 1948-1952, FLATHEAD 1937-1948
H-4250-030	22329-48	PISTON RINGS, (.030) **1-PIECE OIL RING** BIG TWIN 1948-1952, FLATHEAD 1937-1948
H-4250-040	22330-48	PISTON RINGS, (.040) **1-PIECE OIL RING** BIG TWIN 1948-1952, FLATHEAD 1937-1948
H-4250-050	22331-48	PISTON RINGS, (.050) **1-PIECE OIL RING** BIG TWIN 1948-1952, FLATHEAD 1937-1948
H-4250-060	22332-48	PISTON RINGS, (.060) **1-PIECE OIL RING** BIG TWIN 1948-1952, FLATHEAD 1937-1948
H-4250-070	22333-48	PISTON RINGS, (.070) **1-PIECE OIL RING** BIG TWIN 1948-1952, FLATHEAD 1937-1948
H-4250-080		PISTON RINGS, (.080) **1-PIECE OIL RING** BIG TWIN 1948-1952, FLATHEAD 1937-1948
H-4250-090		PISTON RINGS, (.090) **1-PIECE OIL RING** BIG TWIN 1948-1952, FLATHEAD 1937-1948
		<b>**BIG TWIN 74" O/V &amp; 80" FLATHEAD** *CAST* **3-7/16" BORE**</b> <b>**HASTINGS**</b>
H-4275-STD	22355-41	PISTON RINGS, (STD) **1-PIECE OIL RING** BIG TWIN 1941-1977, FLATHEAD 1937-1941
H-4275-010	22357-41	PISTON RINGS, (.010) **1-PIECE OIL RING** BIG TWIN 1941-1977, FLATHEAD 1937-1941
H-4275-020	22358-41	PISTON RINGS, (.020) **1-PIECE OIL RING** BIG TWIN 1941-1977, FLATHEAD 1937-1941
H-4275-030	22359-41	PISTON RINGS, (.030) **1-PIECE OIL RING** BIG TWIN 1941-1977, FLATHEAD 1937-1941
H-4275-040	22360-41	PISTON RINGS, (.040) **1-PIECE OIL RING** BIG TWIN 1941-1977, FLATHEAD 1937-1941
H-4275-050	22361-41	PISTON RINGS, (.050) **1-PIECE OIL RING** BIG TWIN 1941-1977, FLATHEAD 1937-1941
H-4275-060	22362-41	PISTON RINGS, (.060) **1-PIECE OIL RING** BIG TWIN 1941-1977, FLATHEAD 1937-1941
H-4275-070	22363-41	PISTON RINGS, (.070) **1-PIECE OIL RING** BIG TWIN 1941-1977, FLATHEAD 1937-1941
H-4275-080	22364-41	PISTON RINGS, (.080) **1-PIECE OIL RING** BIG TWIN 1941-1977, FLATHEAD 1937-1941
H-4275-090	22365-41	PISTON RINGS, (.090) **1-PIECE OIL RING** BIG TWIN 1941-1977, FLATHEAD 1937-1941

# **\*\*EASTERN MOTORCYCLE PARTS\*\***

## **\*\*PISTON RINGS\*\***

### **\*\*SPORTSTER\*\***

#### **\*\*MASTER LISTING\*\***

<b><u>EASTERN NUMBER</u></b>	<b><u>REPLACES OEM</u></b>	<b><u>DESCRIPTION</u></b>
<b>**SPORTSTER 900 C/C**    **CAST**    **3" BORE**</b>		
<b>**IMPORTED**</b>		
H-6457-STD	22355-57A	PISTON RINGS, (STD) **3-PIECE OIL RING** SPORTSTER 1957-1971, <b>**IMPORTED**</b>
H-6457-010	22357-57A	PISTON RINGS, (.010) **3-PIECE OIL RING** SPORTSTER 1957-1971, <b>**IMPORTED**</b>
H-6457-020	22358-57A	PISTON RINGS, (.020) **3-PIECE OIL RING** SPORTSTER 1957-1971, <b>**IMPORTED**</b>
H-6457-030	22359-57A	<b>**DISCONTINUED** USE HASTINGS RINGS, PART #10-0603</b>
H-6457-040	22360-57A	<b>**DISCONTINUED** USE HASTINGS RINGS, PART #10-0604</b>
H-6457-050	22361-57A	<b>**DISCONTINUED** USE HASTINGS RINGS, PART #10-0605</b>
H-6457-060	22362-57A	PISTON RINGS, (.060) **3-PIECE OIL RING** SPORTSTER 1957-1971, <b>**IMPORTED**</b>
H-6457-070	22363-57A	PISTON RINGS, (.070) **3-PIECE OIL RING** SPORTSTER 1957-1971, <b>**IMPORTED**</b>
<b>**SPORTSTER 900 C/C**    **CAST**    **3" BORE**</b>		
<b>**HASTINGS**</b>		
10-0600	22355-57A	PISTON RINGS, (STD) **3-PIECE OIL RING** SPORTSTER 1957-1971 <b>**HASTINGS**</b>
10-0601	22357-57A	PISTON RINGS, (.010) **3-PIECE OIL RING** SPORTSTER 1957-1971 <b>**HASTINGS**</b>
10-0602	22358-57A	PISTON RINGS, (.020) **3-PIECE OIL RING** SPORTSTER 1957-1971 <b>**HASTINGS**</b>
10-0603	22359-57A	PISTON RINGS, (.030) **3-PIECE OIL RING** SPORTSTER 1957-1971 <b>**HASTINGS**</b>
10-0604	22360-57A	PISTON RINGS, (.040) **3-PIECE OIL RING** SPORTSTER 1957-1971 <b>**HASTINGS**</b>
10-0605	22361-57A	PISTON RINGS, (.050) **3-PIECE OIL RING** SPORTSTER 1957-1971 <b>**HASTINGS**</b>
10-0606	22362-57A	PISTON RINGS, (.060) **3-PIECE OIL RING** SPORTSTER 1957-1971 <b>**HASTINGS**</b>
10-0607	22363-57A	PISTON RINGS, (.070) **3-PIECE OIL RING** SPORTSTER 1957-1971 <b>**HASTINGS**</b>
<b>**SPORTSTER 1000 C/C**    **CAST**    **3-3/16" BORE**</b>		
<b>**IMPORTED**</b>		
H-7003-STD	22355-72A	PISTON RINGS, (STD) **3-PIECE OIL RING** SPORTSTER 1972-1985, <b>**IMPORTED**</b>
H-7003-010	22357-72A	<b>**DISCONTINUED** USE HASTINGS RINGS, PART #10-0631</b>
H-7003-020	22358-72A	<b>**DISCONTINUED** USE HASTINGS RINGS, PART #10-0632</b>
H-7003-030	22359-72A	PISTON RINGS, (.030) **3-PIECE OIL RING** SPORTSTER 1972-1985, <b>**IMPORTED**</b>
H-7003-040	22360-72A	PISTON RINGS, (.040) **3-PIECE OIL RING** SPORTSTER 1972-1985, <b>**IMPORTED**</b>
H-7003-050	22361-72A	<b>**DISCONTINUED** USE HASTINGS RINGS, PART #10-0635</b>
H-7003-060	22362-72A	PISTON RINGS, (.060) **3-PIECE OIL RING** SPORTSTER 1972-1985, <b>**IMPORTED**</b>
H-7003-070	22363-72A	PISTON RINGS, (.070) **3-PIECE OIL RING** SPORTSTER 1972-1985, <b>**IMPORTED**</b>
<b>**SPORTSTER 1000 C/C**    **CAST**    **3-3/16" BORE**</b>		
<b>**HASTINGS**</b>		
10-0630	22355-72A	PISTON RINGS, (STD) **3-PIECE OIL RING** SPORTSTER 1972-1985 <b>**HASTINGS**</b>
10-0631	22357-72A	PISTON RINGS, (.010) **3-PIECE OIL RING** SPORTSTER 1972-1985 <b>**HASTINGS**</b>
10-0632	22358-72A	PISTON RINGS, (.020) **3-PIECE OIL RING** SPORTSTER 1972-1985 <b>**HASTINGS**</b>
10-0633	22359-72A	PISTON RINGS, (.030) **3-PIECE OIL RING** SPORTSTER 1972-1985 <b>**HASTINGS**</b>
10-0634	22360-72A	PISTON RINGS, (.040) **3-PIECE OIL RING** SPORTSTER 1972-1985 <b>**HASTINGS**</b>
10-0635	22361-72A	PISTON RINGS, (.050) **3-PIECE OIL RING** SPORTSTER 1972-1985 <b>**HASTINGS**</b>
10-0636	22362-72A	PISTON RINGS, (.060) **3-PIECE OIL RING** SPORTSTER 1972-1985 <b>**HASTINGS**</b>
10-0637	22363-72A	PISTON RINGS, (.070) **3-PIECE OIL RING** SPORTSTER 1972-1985 <b>**HASTINGS**</b>

**\*\*CONTINUED NEXT PAGE**

**\*5120 HILDA ROAD\* BLACKVILLE, S.C. 29817\* 803-284-3304\***

**\*Pg 195\***

# **\*\*EASTERN MOTORCYCLE PARTS\*\***

## **\*\*PISTON RINGS\*\***

### **\*\*BIG TWIN-SPORTSTER\*\***

#### **\*\*EVOLUTION\*\***

#### **\*\*MASTER LISTING\*\***

<b><u>EASTERN NUMBER</u></b>	<b><u>REPLACES OEM</u></b>	<b><u>DESCRIPTION</u></b>
<b>**BIG TWIN / SPORTSTER, EVOLUTION 1200/1340 C/C** **CAST**</b>		
<b>**IMPORTED**</b>		
H-6164-STD	21920-83	PISTON RINGS, (STD) **3-PIECE OIL RING** BIG TWIN 1984-1999, SPORTSTER 1986-'03
H-6164-005	21921-83	PISTON RINGS, (.005) **3-PIECE OIL RING** BIG TWIN 1984-1999, SPORTSTER 1986-'03
H-6164-010	21922-83	PISTON RINGS, (.010) **3-PIECE OIL RING** BIG TWIN 1984-1999, SPORTSTER 1986-'03
H-6164-020	21923-83	PISTON RINGS, (.020) **3-PIECE OIL RING** BIG TWIN 1984-1999, SPORTSTER 1986-'03
H-6164-030	21924-83	PISTON RINGS, (.030) **3-PIECE OIL RING** BIG TWIN 1984-1999, SPORTSTER 1986-'03
H-6164-040	21925-83	PISTON RINGS, (.040) **3-PIECE OIL RING** BIG TWIN 1984-1999, SPORTSTER 1986-'03
<b>**BIG TWIN / SPORTSTER, EVOLUTION 1200/1340 C/C** **MOLY**</b>		
<b>**HASTINGS**</b>		
H-6195-STD	21920-83	PISTON RINGS, (STD) **3-PIECE OIL RING** BIG TWIN 1984-1999, SPORTSTER 1986-'03
H-6195-005	21921-83	PISTON RINGS, (.005) **3-PIECE OIL RING** BIG TWIN 1984-1999, SPORTSTER 1986-'03
H-6195-010	21922-83	PISTON RINGS, (.010) **3-PIECE OIL RING** BIG TWIN 1984-1999, SPORTSTER 1986-'03
H-6195-020	21923-83	PISTON RINGS, (.020) **3-PIECE OIL RING** BIG TWIN 1984-1999, SPORTSTER 1986-'03
H-6195-030	21924-83	PISTON RINGS, (.030) **3-PIECE OIL RING** BIG TWIN 1984-1999, SPORTSTER 1986-'03
H-6195-040	21925-83	PISTON RINGS, (.040) **3-PIECE OIL RING** BIG TWIN 1984-1999, SPORTSTER 1986-'03
<b>**SPORTSTER, EVOLUTION 1100 C/C** **MOLY**</b>		
<b>**HASTINGS**</b>		
H-6199-STD	22267-86	PISTON RINGS, (STD) **3-PIECE OIL RING** SPORTSTER 1986-1988 **HASTINGS**
H-6199-005	22272-86	PISTON RINGS, (.005) **3-PIECE OIL RING** SPORTSTER 1986-1988 **HASTINGS**
H-6199-010	22273-86	PISTON RINGS, (.010) **3-PIECE OIL RING** SPORTSTER 1986-1988 **HASTINGS**
H-6199-020	22275-86	PISTON RINGS, (.020) **3-PIECE OIL RING** SPORTSTER 1986-1988 **HASTINGS**
H-6199-030	22276-86	PISTON RINGS, (.030) **3-PIECE OIL RING** SPORTSTER 1986-1988 **HASTINGS**
H-6199-040	22279-86	PISTON RINGS, (.040) **3-PIECE OIL RING** SPORTSTER 1986-1988 **HASTINGS**

**\*\*CONTINUED ON NEXT PAGE\*\***

**\*5120 HILDA ROAD\* BLACKVILLE, S.C. 29817\* 803-284-3304\***

**\*Pg 196\***

# **\*\*EASTERN MOTORCYCLE PARTS\*\***

## **\*\*PISTON RINGS\*\***

### **\*\*BIG TWIN-SPORTSTER\*\***

#### **\*\*2-CAM\*\***

#### **\*\*MASTER LISTING\*\***

<u>EASTERN NUMBER</u>	<u>REPLACES OEM</u>	<u>DESCRIPTION</u>
		<b>**BIG TWIN, 2-CAM 1450 C/C** **MOLY**</b>
		<b>**HASTINGS**</b>
10-0360	21936-99	PISTON RING SET <b>**STD** (1450C/C) **MOLY**</b> BIG TWIN 1999-PRESENT <b>**HASTINGS**</b>
10-0361	21937-99	PISTON RING SET <b>**005** (1450C/C) **MOLY**</b> BIG TWIN 1999-PRESENT <b>**HASTINGS**</b>
10-0362	21938-99	PISTON RING SET <b>**010** (1450C/C) **MOLY**</b> BIG TWIN 1999-PRESENT <b>**HASTINGS**</b>
10-0363	21916-99	PISTON RING SET <b>**020** (1450C/C) **MOLY**</b> BIG TWIN 1999-PRESENT <b>**HASTINGS**</b>
10-0364		PISTON RING SET <b>**030** (1450C/C) **MOLY**</b> BIG TWIN 1999-PRESENT <b>**HASTINGS**</b>
10-0365		PISTON RING SET <b>**040** (1450C/C) **MOLY**</b> BIG TWIN 1999-PRESENT <b>**HASTINGS**</b>
10-0366		PISTON RING SET <b>**050** (1450C/C) **MOLY**</b> BIG TWIN 1999-PRESENT <b>**HASTINGS**</b>
10-0367		PISTON RING SET <b>**060** (1450C/C) **MOLY**</b> BIG TWIN 1999-PRESENT <b>**HASTINGS**</b>
10-0368		PISTON RING SET <b>**070** (1450C/C) **MOLY**</b> BIG TWIN 1999-PRESENT <b>**HASTINGS**</b>
		<b>**BIG TWIN, 2-CAM 1550 C/C** **MOLY**</b>
		<b>**HASTINGS**</b>
10-0400	21918-99	PISTON RING SET <b>**STD** (1550C/C) **MOLY**</b> BIG TWIN 1999-PRESENT <b>**HASTINGS**</b>
10-0401	21919-99	PISTON RING SET <b>**005** (1550C/C) **MOLY**</b> BIG TWIN 1999-PRESENT <b>**HASTINGS**</b>
10-0402	21945-99	PISTON RING SET <b>**010** (1550C/C) **MOLY**</b> BIG TWIN 1999-PRESENT <b>**HASTINGS**</b>
10-0403	21946-99	PISTON RING SET <b>**020** (1550C/C) **MOLY**</b> BIG TWIN 1999-PRESENT <b>**HASTINGS**</b>
10-0404	21947-99	PISTON RING SET <b>**030** (1550C/C) **MOLY**</b> BIG TWIN 1999-PRESENT <b>**HASTINGS**</b>
10-0405		PISTON RING SET <b>**040** (1550C/C) **MOLY**</b> BIG TWIN 1999-PRESENT <b>**HASTINGS**</b>

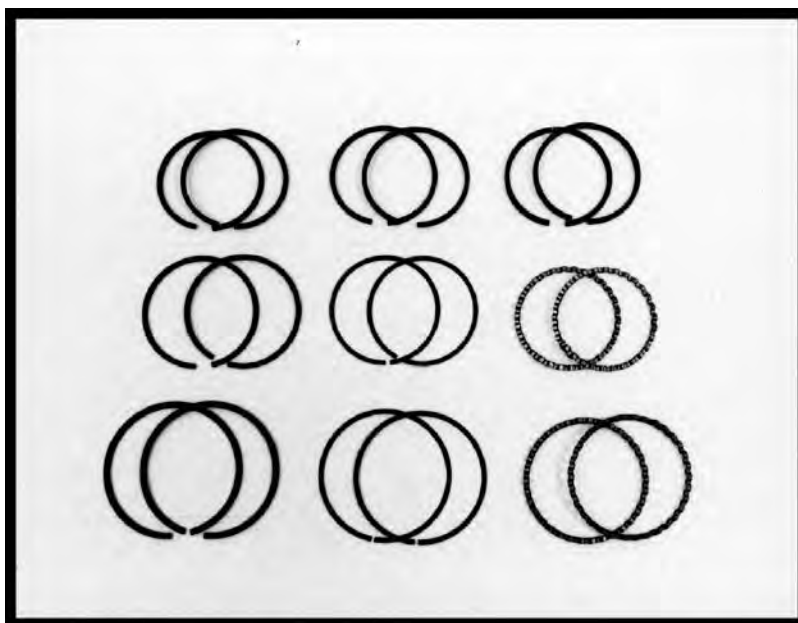
**\*\*CONTINUED NEXT PAGE**

# **\*\*EASTERN MOTORCYCLE PARTS\*\***

## **\*\*PISTON RINGS\*\***

### **\*\*BIG TWIN BIG BORE\*\***

### **\*\*FORTY-FIVE & K-MODEL\*\***



**\*\*ALL EASTERNS PISTON RINGS ARE SOLD IN PAIRS\*\***

<u>EASTERN NUMBER</u>	<u>REPLACES OEM</u>	<u>DESCRIPTION</u>
		<b>**BIG TWIN, BIG BORE **3-5/8" BORE** **CAST**</b>
		<b>**IMPORTED**</b>
H-7030-STD		PISTON RINGS, (STD) **3-PIECE OIL RING** BIG TWIN 1948-1984 <b>**IMPORTED**</b>
H-7030-010		PISTON RINGS, (.010) **3-PIECE OIL RING** BIG TWIN 1948-1984 <b>**IMPORTED**</b>
H-7030-020		PISTON RINGS, (.020) **3-PIECE OIL RING** BIG TWIN 1948-1984 <b>**IMPORTED**</b>
H-7030-030		PISTON RINGS, (.030) **3-PIECE OIL RING** BIG TWIN 1948-1984 <b>**IMPORTED**</b>
H-7030-040		PISTON RINGS, (.040) **3-PIECE OIL RING** BIG TWIN 1948-1984 <b>**IMPORTED**</b>
H-7030-050		PISTON RINGS, (.050) **3-PIECE OIL RING** BIG TWIN 1948-1984 <b>**IMPORTED**</b>
H-7030-060		PISTON RINGS, (.060) **3-PIECE OIL RING** BIG TWIN 1948-1984 <b>**IMPORTED**</b>
H-7030-070		PISTON RINGS, (.070) **3-PIECE OIL RING** BIG TWIN 1948-1984 <b>**IMPORTED**</b>
H-7030-080		PISTON RINGS, (.080) **3-PIECE OIL RING** BIG TWIN 1948-1984 <b>**IMPORTED**</b>
		<b>**FORTY-FIVE** **2.745" BORE** **CAST** 3/32" THICK COMPRESSION RINGS</b>
		<b>**HASTINGS**</b>
H-4244-STD	22355-38	PISTON RINGS, (STD) **1-PIECE OIL RING** FORTY-FIVE 1937-1952 <b>**HASTINGS**</b>
H-4244-010	22357-38	PISTON RINGS, (.010) **1-PIECE OIL RING** FORTY-FIVE 1937-1952 <b>**HASTINGS**</b>
H-4244-020	22358-38	PISTON RINGS, (.020) **1-PIECE OIL RING** FORTY-FIVE 1937-1952 <b>**HASTINGS**</b>
H-4244-030	22359-38	PISTON RINGS, (.030) **1-PIECE OIL RING** FORTY-FIVE 1937-1952 <b>**HASTINGS**</b>
H-4244-040	22360-38	PISTON RINGS, (.040) **1-PIECE OIL RING** FORTY-FIVE 1937-1952 <b>**HASTINGS**</b>
H-4244-050	22361-38	PISTON RINGS, (.050) **1-PIECE OIL RING** FORTY-FIVE 1937-1952 <b>**HASTINGS**</b>
H-4244-060	22362-38	PISTON RINGS, (.060) **1-PIECE OIL RING** FORTY-FIVE 1937-1952 <b>**HASTINGS**</b>
H-4244-070	22363-38	PISTON RINGS, (.070) **1-PIECE OIL RING** FORTY-FIVE 1937-1952 <b>**HASTINGS**</b>
H-4244-080		PISTON RINGS, (.080) **1-PIECE OIL RING** FORTY-FIVE 1937-1952 <b>**HASTINGS**</b>
H-4244-090		PISTON RINGS, (.090) **1-PIECE OIL RING** FORTY-FIVE 1937-1952 <b>**HASTINGS**</b>

**\*\*TRANSMISSION\*\***

- \* CLUTCH LINE DRAWINGS
- \* CLUTCH HUB & RELATED PARTS
- \* CLUTCH PLATES (STEEL & FRICTION)
- \* CLUTCH PUSH RODS, ENDS & KITS
- \* COUNTERSHAFT DRAWINGS
- \* FOOT SHIFT
- \* HAND SHIFT
- \* KICK STARTERS
- \* MAINSHAFT DRAWINGS
- \* RATCHET TOP
- \* ROTOR TOP
- \* SHIFTERS AND SHIFTER LINKAGE
- \* SHIFTER FORKS AND SHAFTS
- \* SHIFTER LEVERS, RODS & RELATED PARTS
- \* SPROCKETS: MOTOR AND COUNTERSHAFT
- \* TRANSMISSION HOUSING

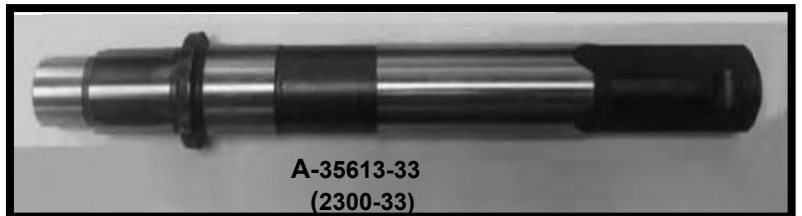
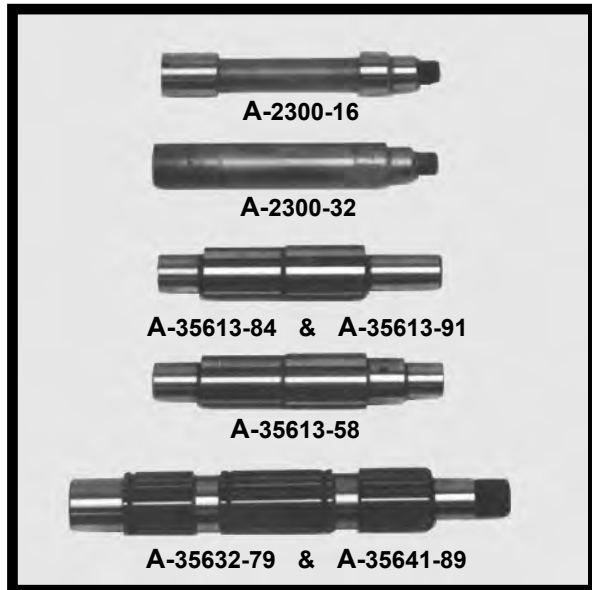


# **\*\*EASTERN MOTORCYCLE PARTS\*\***

## **\*\*MAINSHAFTS & COUNTERSHAFTS\*\***

**\*\*MANUFACTURED BY EASTERN\*\***

**\*\*BIG TWIN/SPORTSTER\*\***



**\*\*CONTINUED ON NEXT PAGE\*\***

**\*5120 HILDA ROAD\* BLACKVILLE, S.C. 29817\* 803-284-3304\***

**\*Pg 200\***



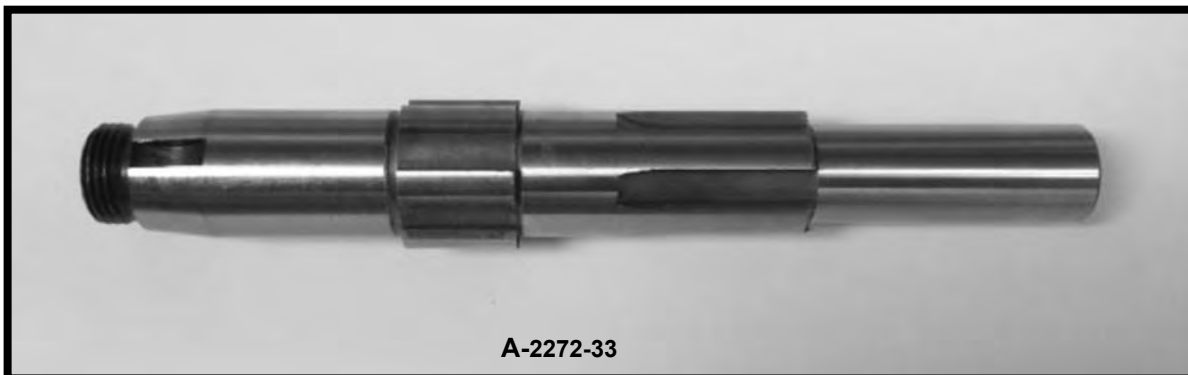
# **\*\*EASTERN MOTORCYCLE PARTS\*\***

## **\*\*MAINSHAFTS & COUNTERSHAFTS\*\***

**\*\*MANUFACTURED BY EASTERN\*\***

**\*\*BIG TWIN/SPORTSTER\*\***

<u>EASTERN NUMBER</u>	<u>REPLACES OEM</u>		<u>DESCRIPTION</u>
A-364-29	364-29	pk-5	NUT, MAINSHAFT, *11/16-18 THREAD** FORTY-FIVE 1933-1940
A-2272-15	2272-15	each	MAINSHAFT, (9.160 LONG) **F, FD, J & JD MODELS** BIG TWIN 1915-1918
A-2272-19	2272-19	each	MAINSHAFT, (10.070 LONG) **F, FD, J & JD MODELS** BIG TWIN 1919-1924
A-2272-25	2272-25	each	MAINSHAFT, (10.535 LONG) **J & JD MODELS** BIG TWIN 1925-1929
A-2272-31	2272-31	each	MAINSHAFT, (10.655 LONG) **V, VL, VLD & VLH MODELS** BIG TWIN 1931-1936
A-2272-33	2272-33	each	MAINSHAFT, (6.750 LONG) FORTY-FIVE 1933-1940 **EASTERNS**
A-2300-16	2300-16	each	COUNTERSHAFT, **J, JD, V & VL MODELS** BIG TWIN 1916-1931
A-2300-32	2300-32	each	COUNTERSHAFT, **V, VL & VLH MODELS** BIG TWIN 1932-1936
A-35036-84A	35036-84A	each	MAINSHAFT, **4-SPEED** SPORTSTER L/1984-1990 **EASTERNS**
A-35039-65	35039-65	each	MAINSHAFT, **4-SPEED** BIG TWIN 1965-1969
A-35039-70B	35039-70B	each	MAINSHAFT, CHAIN DRIVE, **4-SPEED** BIG TWIN 1970-1984
A-35039-85	35039-85	each	MAINSHAFT, BELT DRIVE, **4-SPEED** BIG TWIN L/1984-1986
A-35040-50	35040-50	each	MAINSHAFT, **4-SPEED** BIG TWIN 1941-1964
A-35042-79	35042-79	each	MAINSHAFT, CHAIN DRIVE, **5-SPEED** BIG TWIN 1979-1984
A-35042-85	35042-85	each	MAINSHAFT, BELT DRIVE, **5-SPEED** BIG TWIN 1985-1989
A-35042-90	35042-90	each	MAINSHAFT, BELT DRIVE, **5-SPEED** BIG TWIN 1990-ONLY
A-35042-91	35042-91	each	MAINSHAFT, BELT DRIVE, **5-SPEED** BIG TWIN 1991-2006
A-35043-41	35043-41	each	MAINSHAFT, **45" TRANSMISSION** FORTY-FIVE 1941-1973 **EASTERNS**
A-35044-56	* 35044-56	each	MAINSHAFT, **4-SPEED** SPORTSTER 1956-1969 **EASTERNS**
A-35046-67	* 35046-67	each	MAINSHAFT, **4-SPEED** SPORTSTER 1967-1970 **EASTERNS**
A-35046-71A	35046-71A	each	MAINSHAFT, **4-SPEED** SPORTSTER 1971-E/1984
A-35613-33	2300-33	each	COUNTERSHAFT, FORTY-FIVE 1933-1940 **MADE IN U.S.A.**
A-35613-41C	2300-41	each	COUNTER AND KICK STARTER SHAFT, F/F 1941-1973 **EASTERNS**
	35613-41		
A-35613-52	35613-52	each	COUNTERSHAFT, **K-MODEL** SPORTSTER 1952-1953
A-35613-58	35613-58	each	COUNTERSHAFT, **4-SPEED** SPORTSTER 1958-E/1984
A-35613-84	35613-84	each	COUNTERSHAFT, **OLD STYLE** SPORTSTER L/1984-1990
A-35613-KIT		each	COUNTERSHAFT KIT, (WITH SPACERS) **NEW STYLE** SPORTSTER L/1984-1990 <b>KIT INCLUDES: (1ea) 35613-91, 35860-92, 35861-92, 35862-92, 35863-92, 35864-92, 35865-92, 35866-92, 35867-92, 35868-92, 35869-92, 35870-92, 35871-92</b>
A-35613-91	35613-91	each	COUNTERSHAFT, **NEW STYLE** SPORTSTER L/1984-1990
A-35614-65	35614-65	each	COUNTERSHAFT, BIG TWIN 1937-1976 **EASTERNS**
A-35614-76	35614-76	each	COUNTERSHAFT, BIG TWIN L/1976-1979 **EASTERNS**
A-35614-80	35614-80	each	COUNTERSHAFT, BIG TWIN 1980-1984 **EASTERNS**
A-35632-79	35632-79	each	COUNTERSHAFT, BIG TWIN 1980-2006
A-35640-89	35640-89	each	MAINSHAFT, **5-SPEED**, SPORTSTER 1991-PRESENT
A-35641-89	35641-89	each	COUNTERSHAFT, **5-SPEED**, SPORTSTER 1991-PRES.



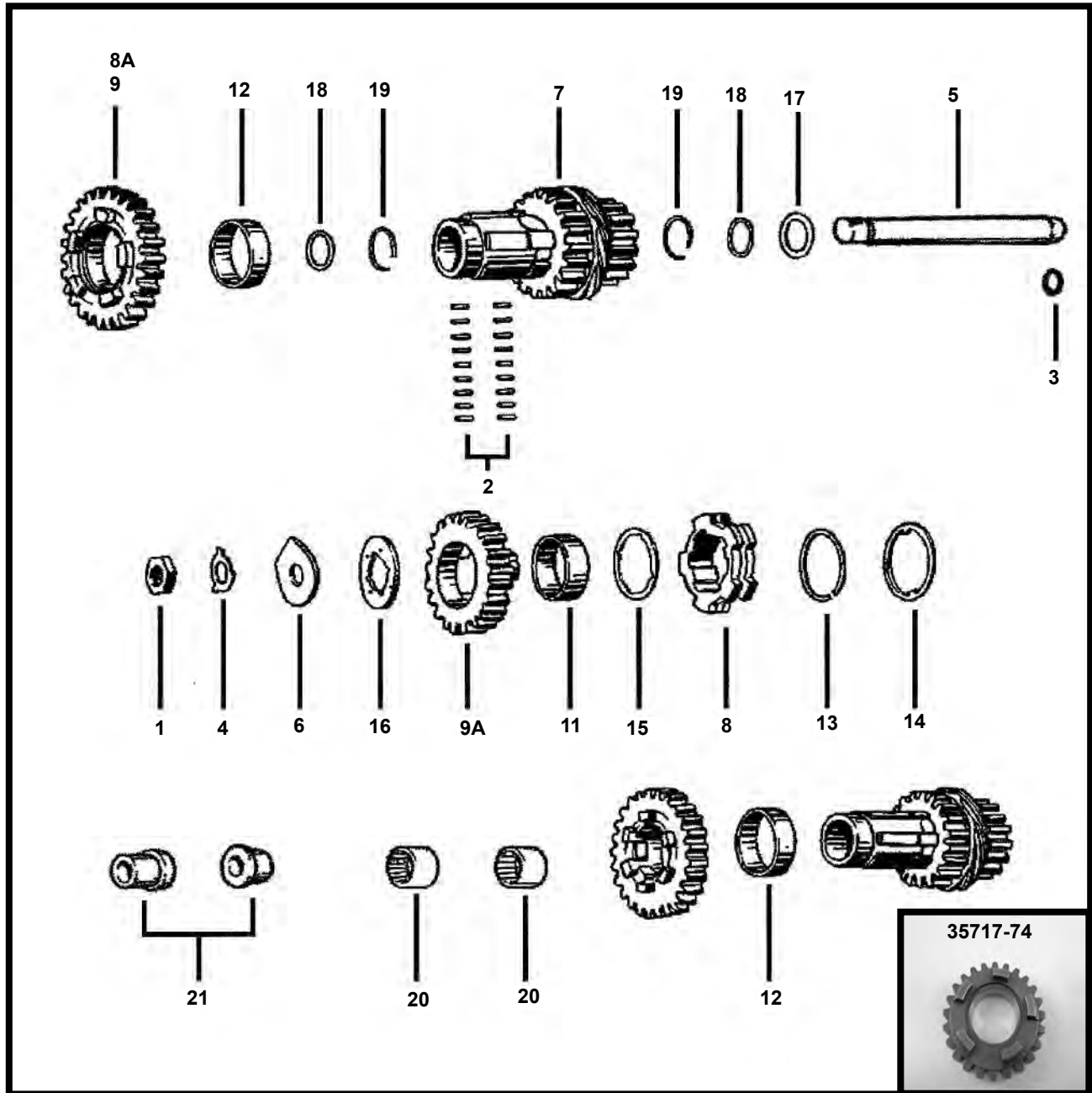
A-2272-33

# \*\*EASTERN MOTORCYCLE PARTS\*\*

## \*\*TRANSMISSION-COUNTERSHAFT\*\*

\*\*4-SPEED\*\*

\*\*BIG TWIN 1936-1984\*\*



\*\*CONTINUED ON NEXT PAGE\*\*

# **\*\*EASTERN MOTORCYCLE PARTS\*\***

## **\*\*TRANSMISSION-COUNTERSHAFT\*\***

### **\*\*4-SPEED\*\***

### **\*\*BIG TWIN 1936-1984\*\***

<u>DIAGRAM NUMBER</u>	<u>EASTERN NUMBER</u>	<u>REPLACES OEM</u>	<u>DESCRIPTION</u>
1	A-7911	7911	pk-5 NUT, KICK STARTER C/S 1/2 X 20 THREAD, BIG TWIN 1936-1979
2	A-9084-88	9084	set-88 ROLLERS, (STD.) M/S & C/S, BIG TWIN 1937-1977
	A-9085-88	9085	set-88 ROLLERS, (+.0004) M/S & C/S, BIG TWIN 1937-1977
	A-9086-88	9086	set-88 ROLLERS, (+.0008) M/S & C/S, BIG TWIN 1937-1977
	A-9087-88		set-88 ROLLERS, (+.001) M/S & C/S, BIG TWIN 1937-1977
3	A-11115	11115	pk-10 O-RING, COUNTERSHAFT, BIG TWIN 1965-1984
4	A-33082-16	33082-16	pk-10 LOCK TAB, C/S & STARTER CRANK, BIG TWIN 1936-1979
5	A-35614-65	35614-65	each COUNTERSHAFT, BIG TWIN 1937-1976 <b>**EASTERNS**</b>
	A-35614-76	35614-76	each COUNTERSHAFT, BIG TWIN 1976-1979 <b>**EASTERNS**</b>
	A-35614-80	35614-80	each COUNTERSHAFT, BIG TWIN 1980-1984 <b>**EASTERNS**</b>
6	A-35630-36	35630-36	pk-5 END PLATE, COUNTERSHAFT, BIG TWIN 1937-1979
7	W-14-236	35699-76	each GEAR, COUNTERSHAFT CLUSTER, 15X17T, BIG TWIN L/1976-1984
	74-0728	35700-36	each GEAR, C/S CLUSTER, 15X17T, BIG TWIN 1936-E/1976 <b>**ANDREWS**</b>
	W-14-235	35700-69	each GEAR, COUNTERSHAFT CLUSTER, 15X17T, BIG TWIN 1936-E/1976
	74-0730	35700-76	each GEAR, C/S CLUSTER, 15X17T, BIG TWIN L/1976-1984 <b>**ANDREWS**</b>
8	W-14-226	35665-36	each SHIFTER CLUTCH, 1ST & 2ND (C/S), BIG TWIN 1940-1984
	74-0775	35665-36	each SHIFTER CLUTCH, 1ST & 2ND, BIG TWIN 1937-1984 <b>**ANDREWS**</b>
8A	W-14-174	35717-74	each GEAR, LOW (24T), COUNTERSHAFT, BIG TWIN 1974-1984
9	W-14-229	35751-36	each GEAR, 2ND (21T), COUNTERSHAFT, BIG TWIN 1937-1984
	74-0765	35751-36	each GEAR, 2ND (1.82), BIG TWIN 1937-1985 <b>**ANDREWS**</b>
	W-14-239	35751-79	each GEAR, 2ND (24T), COUNTERSHAFT, BIG TWIN 1980-1985
9A	W-14-230	35765-36	each GEAR, COUNTERSHAFT LOW, (26-T) BIG TWIN 1936-1984
11	A-35789-36	35789-36	each BUSHING, 1ST GEAR, COUNTERSHAFT, BIG TWIN 1937-1984
12	A-35791-36	35791-36	each BUSHING, 2ND GEAR, COUNTERSHAFT, BIG TWIN 1937-1984
13	A-35810-36	35810-36	pk-10 RETAINING RING, 2ND GEAR, C/S, BIG TWIN 1937-1984
14	A-35811-36	35811-36	pk-5 THRUST WASHER, 2ND GEAR, C/S, BIG TWIN 1937-1984
15	A-35812-36	35812-36	pk-5 THRUST WASHER, 1ST GEAR, C/S, BIG TWIN 1937-1984
16	A-35875-SET	35875-36	set-7 WASHER, COUNTERSHAFT GEAR (SET-7), BIG TWIN 1937-1984
	A-35875-88		pk-5 WASHER, COUNTERSHAFT GEAR (.050), BIG TWIN 1937-1984
	A-35875-89		pk-5 WASHER, COUNTERSHAFT GEAR (.055), BIG TWIN 1937-1984
	A-35875-90		pk-5 WASHER, COUNTERSHAFT GEAR (.060), BIG TWIN 1937-1984
	A-35875-91		pk-5 WASHER, COUNTERSHAFT GEAR (.065), BIG TWIN 1937-1984
	A-35875-92		pk-5 WASHER, COUNTERSHAFT GEAR (.070), BIG TWIN 1937-1984
	A-35876-36	35876-36	pk-5 WASHER, COUNTERSHAFT GEAR (.074), BIG TWIN 1937-1984
	A-35877-36	35877-36	pk-5 WASHER, COUNTERSHAFT GEAR (.078), BIG TWIN 1937-1984
	A-35878-36	35878-36	pk-5 WASHER, COUNTERSHAFT GEAR (.082), BIG TWIN 1937-1984
	A-35879-36	35879-36	pk-5 WASHER, COUNTERSHAFT GEAR (.085), BIG TWIN 1937-1984
	A-35882-36	35882-36	pk-5 WASHER, COUNTERSHAFT GEAR (.090), BIG TWIN 1937-1984
	A-35883-36	35883-36	pk-5 WASHER, COUNTERSHAFT GEAR (.095), BIG TWIN 1937-1984
	A-35884-36	35884-36	pk-5 WASHER, COUNTERSHAFT GEAR (.100), BIG TWIN 1937-1984
	A-35884-81		pk-5 WASHER, COUNTERSHAFT GEAR (.105), BIG TWIN 1937-1984
	A-35884-82		pk-5 WASHER, COUNTERSHAFT GEAR (.110), BIG TWIN 1937-1984
	A-35884-83		pk-5 WASHER, COUNTERSHAFT GEAR (.115), BIG TWIN 1937-1984

**\*\*CONTINUED NEXT PAGE\*\***

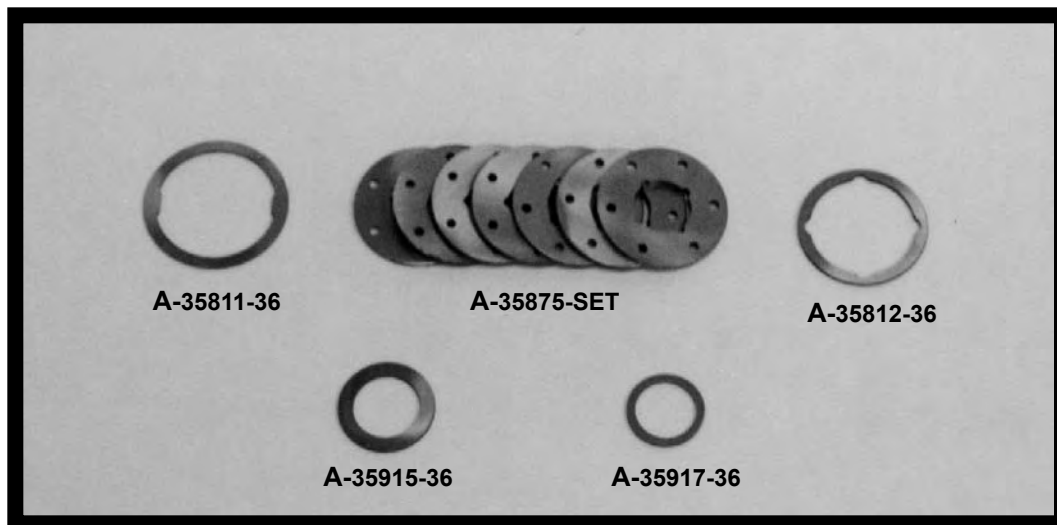
# **\*\*EASTERN MOTORCYCLE PARTS\*\***

## **\*\*TRANSMISSION-COUNTERSHAFT\*\***

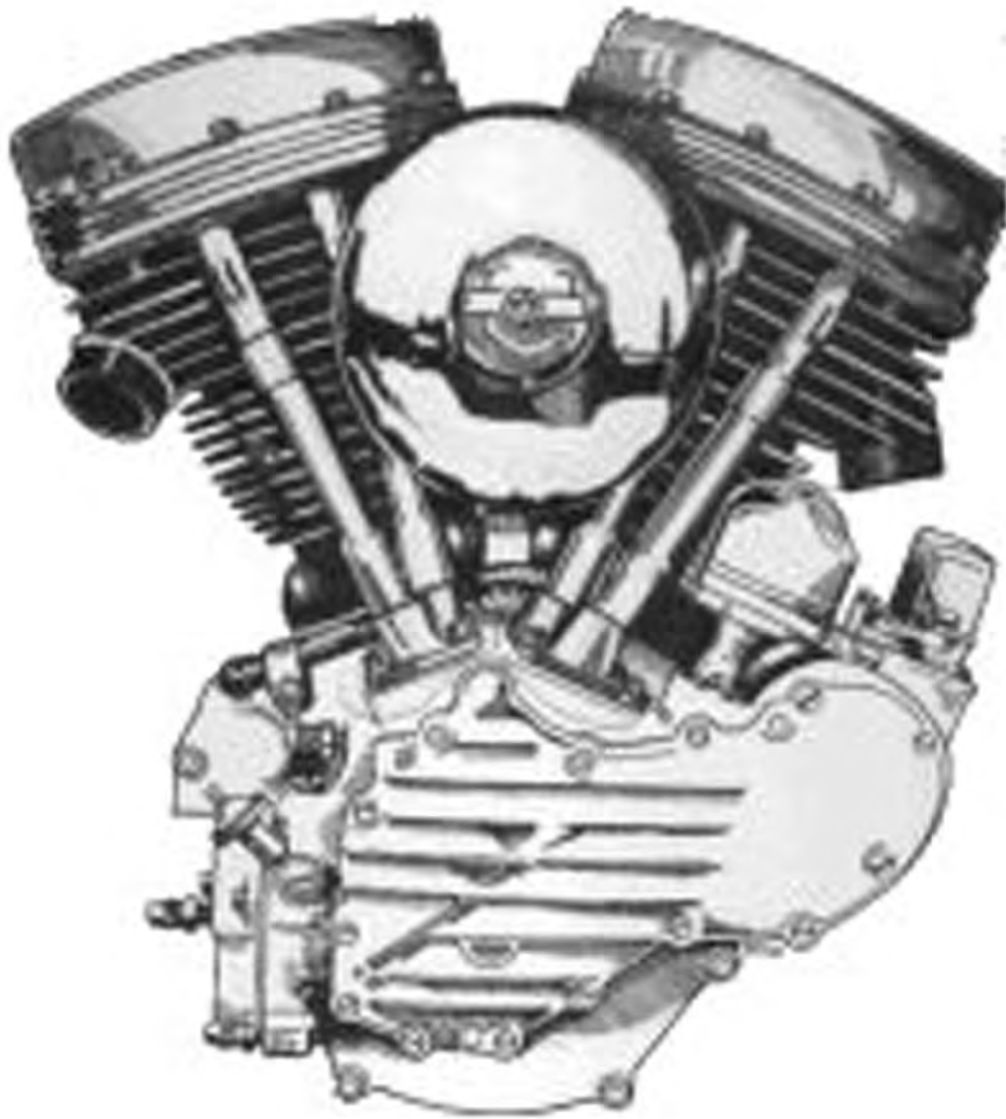
**\*\*BIG TWIN 1936-1984\*\***

**\*\*4-SPEED\*\***

<u>DIAGRAM NUMBER</u>	<u>EASTERN NUMBER</u>	<u>REPLACES OEM</u>	<u>DESCRIPTION</u>	
17	A-35915-36	35915-36	pk-5 WASHER, BEARING RET. *OUTER* (STD. .060),BIG TWIN 1937-1984	
	A-35915-88		pk-5 WASHER, BEARING RETAINER C/S (-.010 .050),BIG TWIN 1937-1984	
	A-35915-89		pk-5 WASHER, BEARING RETAINER C/S (-.005 .055),BIG TWIN 1937-1984	
	A-35915-92		pk-5 WASHER, BEARING RETAINER C/S (+.005 .065),BIG TWIN 1937-1984	
18	A-35915-93		pk-5 WASHER, BEARING RETAINER C/S (+.010 .070),BIG TWIN 1937-1984	
	A-35917-36	35917-36	pk-5 WASHER, BEARING RETAINER C/S *INNER*, BIG TWIN 1937-1976	
	19	A-35920-36	35920-36	pk-10 RETAINING RING, C/S BEARING, BIG TWIN 1937-1977
	20	A-35961-52	35961-52	each BEARING, M/SHAFT & C/SHAFT (OPEN END) BIG TWIN 1977-1985
	21	A-36045-76	36045-76	each BUSHING, (STD.) C/SHAFT, STARTER SIDE, BIG TWIN 1976-1979
		A-36045-80		each BUSHING, (+.005) C/SHAFT, STARTER SIDE, BIG TWIN 1976-1979
		A-36046-36	35046-36	each BUSHING, (STD.) C/SHAFT, STARTER SIDE, BIG TWIN 1937-1976
		A-36046-80		each BUSHING, (+.005) C/SHAFT, STARTER SIDE, BIG TWIN 1937-1976
		A-36048-36	36048-36	each BUSHING, (STD.) C/SHAFT, CLUTCH SIDE, BIG TWIN 1937-1976
		A-36048-76A	36048-76A	each BUSHING, (STD.) C/SHAFT, CLUTCH SIDE, BIG TWIN 1976-1984
		A-36048-80		each BUSHING, (+.005) C/SHAFT, CLUTCH SIDE, BIG TWIN 1937-1976
	A-36048-81A		each BUSHING, (+.005) C/SHAFT, CLUTCH SIDE, BIG TWIN 1976-1984	



**\*\*EASTERN MOTORCYCLE PARTS\*\***



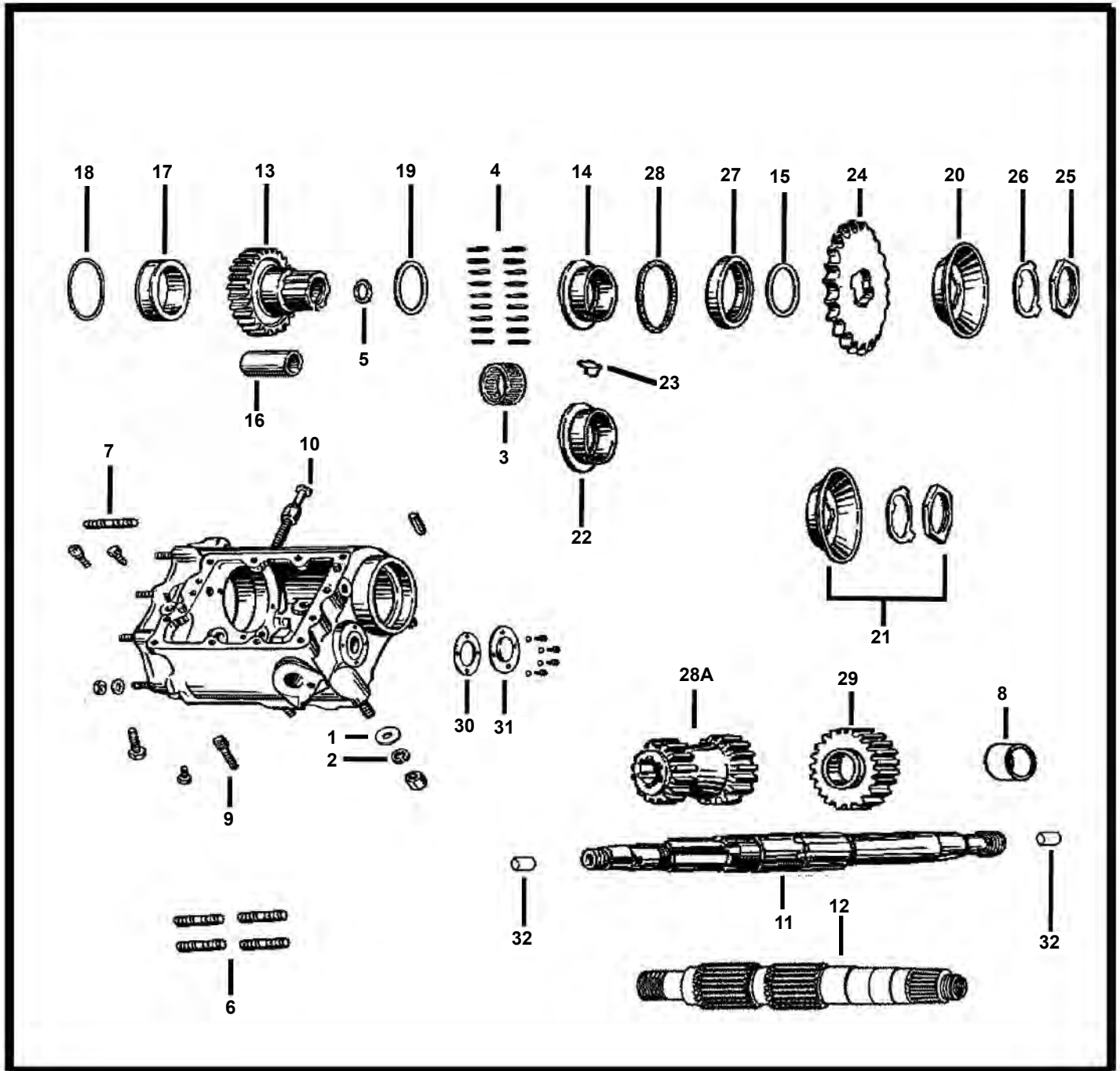
**\*5120 HILDA ROAD\* BLACKVILLE, S.C. 29817\* 803-284-3304\***

# \*\*EASTERN MOTORCYCLE PARTS\*\*

## \*\*TRANSMISSION-COUNTERSHAFT\*\*

\*\*4-SPEED\*\*

\*\*BIG TWIN 1936-1984\*\*



\*\*CONTINUED NEXT PAGE\*\*

\*5120 HILDA ROAD\* BLACKVILLE, S.C. 29817\* 803-284-3304\*

\*Pg 205\*

# **\*\*EASTERN MOTORCYCLE PARTS\*\***

## **\*\*TRANSMISSION-COUNTERSHAFT\*\***

### **\*\*4-SPEED\*\***

### **\*\*BIG TWIN 1936-1984\*\***

<b>DIAGRAM NUMBER</b>	<b>EASTERN NUMBER</b>	<b>REPLACES OEM</b>	<b>DESCRIPTION</b>
1	A-6400HB	6400HB	pk-25 WASHER (STEEL) **5/16 X 13/16 X 3/32 THICK**
2	36-0234	7045	pk-100 LOCK WASHERS, HI-COLLAR 3/8", <b>**ZINC PLATED**</b> BIG TWIN
3	A-8905	8905	each BEARING, MAIN DRIVE GEAR, 4-SPEED, BIG TWIN L/1977-1981
	A-8906	8906	each BEARING, MAIN DRIVE GEAR, 4-SPEED, BIG TWIN 1982-1985
4	A-9084-88	9084	set-88 ROLLERS, (STD.) BIG TWIN 1937-1977
	A-9085-88	9085	set-88 ROLLERS, (+.0004) BIG TWIN 1937-1977
	A-9086-88	9086	set-88 ROLLERS, (+.0008) BIG TWIN 1937-1977
	A-9087-88		set-88 ROLLERS, (+.001) BIG TWIN 1937-1977
5	A-12013	12013	pk-5 OIL SEALS, M/D GEAR <b>*WITH RUBBER O.D.*</b> B/T 1965-'66 & L/1981-'90
	A-12013A	12013A	pk-5 OIL SEALS, M/D GEAR <b>*WITH METAL O.D.*</b> B/T 1965-1966 & L/1981-'90
	A-12022	12022	pk-5 OIL SEAL, MAIN DRIVE GEAR, BIG TWIN 1965-E/1981
6	A-16830-29A	16830-29A	pk-4 STUDS, TRANSMISSION END, BIG TWIN 1965-1969
7	A-33298-36	33298-36	pk-10 STUDS, SIDE COVER, 1 3/8" LONG, BIG TWIN 1937-1964
	A-33298-65	33298-65	pk-5 STUDS, SIDE COVER, 1 1/2" LONG, BIG TWIN 1965-1984
8	A-34090-84	34090-84	each INNER BEARING RACE, <b>**4TH GEAR**</b> BIG TWIN 1984-1986
9	A-34723-47	34723-47	pk-4 STUDS, BOTTOM <b>**3/8-24 x 7/16-14**</b> (O/S) 1.625 LONG, B/T 1936-1983
	A-34724-36	34724-36	pk-4 STUDS, BOTTOM <b>**3/8-24 x 3/8-16**</b> (STD) 1.625 LONG, B/T 1941-1983
10	J-1-141	34735-36	each ADJUSTING SCREW, CHROME, BIG TWIN 1937-1964
11	A-35039-65	35039-65	each MAINSHAFT, BIG TWIN 1965-1969 <b>**EASTERNS**</b>
	74-0748	35039-65	each MAINSHAFT, BIG TWIN 1965-1969 <b>**ANDREWS**</b>
	A-35039-70B	35039-70B	each MAINSHAFT, BIG TWIN 1970-1984 <b>**EASTERNS**</b>
	74-0750	35039-70B	each MAINSHAFT, BIG TWIN 1970-1984 <b>**ANDREWS**</b>
	A-35040-50	35040-50	each MAINSHAFT, BIG TWIN 1941-1964 <b>**EASTERNS**</b>
	74-0745	35040-50	each MAINSHAFT, BIG TWIN 1941-1964 <b>**ANDREWS**</b>
12	A-35039-85	35039-85	each MAINSHAFT, <b>**BELT DRIVE**</b> BIG TWIN L/1984-1986 <b>**EASTERNS**</b>
	74-0752	35039-85	each MAINSHAFT, <b>**BELT DRIVE**</b> BIG TWIN L/1984-1986 <b>**ANDREWS**</b>
13	W-14-440	35065-65B	each MAIN DRIVE GEAR, (26T) BIG TWIN 1937-1977
	74-0755	35065-65B	each MAIN DRIVE GEAR, (26T) BIG TWIN 1937-1977 <b>**ANDREWS**</b>
	W-14-442	35067-77	each MAIN DRIVE GEAR, (26T) BIG TWIN 1977-1984
	74-0758	35067-77	each MAIN DRIVE GEAR, (26T) BIG TWIN 1977-1985 <b>**ANDREWS**</b>
14	A-35070-77	35070-77	each SPACER, DRIVE GEAR, 4-SPEED, BIG TWIN 1977-1979
	A-35070-80	35070-80	each SPACER, DRIVE GEAR, 4-SPEED, BIG TWIN 1980-1981
	A-35070-82A	35070-82A	each SPACER, DRIVE GEAR, 4-SPEED, BIG TWIN 1982-1984
	A-35070-84	35070-84	each SPACER, DRIVE GEAR, 4-SPEED, BIG TWIN L/1984-1986
15	A-35079-80	35079-80	pk-5 SPACER, MAINSHAFT SPROCKET, 4 & 5 SPEED, BIG TWIN 1980-1981
	A-35079-82A	35079-82A	each SPACER, DRIVE GEAR, 4-SPEED, BIG TWIN 1982-ONLY
16	A-35094-65	35094-65	each BUSHING, MAIN DRIVE GEAR, BIG TWIN 1931-1984
17	A-35125-37	35125-37	each BUSHING, (STD.) MAINSHAFT RACE, BIG TWIN 1937-E/1977
	A-35125-77	35125-37	each BUSHING, (+.002) MAINSHAFT RACE, BIG TWIN 1937-E/1977
	A-35125-78	35125-37	each BUSHING, (+.005) MAINSHAFT RACE, BIG TWIN 1937-E/1977
	A-35125-79	35125-37	each BUSHING, (+.010) MAINSHAFT RACE, BIG TWIN 1937-E/1977
	A-35125-85	35125-37	each BUSHING, (+.015) MAINSHAFT RACE, BIG TWIN 1937-E/1977
	A-35125-87	35125-37	each BUSHING, (+.020) MAINSHAFT RACE, BIG TWIN 1937-E/1977
	A-35125-89	35125-37	each BUSHING, (+.025) MAINSHAFT RACE, BIG TWIN 1937-E/1977
18	A-35129-36	35129-36	pk-10 RETAINING RING, MAINSHAFT RACE, 4-SPEED, BIG TWIN 1937-1977
19	A-35131-36	35131-36	pk-5 BEARING WASHER, (.060 STD) M/D GEAR, BIG TWIN 1937-1977
	A-35131-80	35131-36	pk-5 BEARING WASHER, (.065) M/D GEAR, BIG TWIN 1937-1977
	A-35131-81	35131-36	pk-5 BEARING WASHER, (.070) M/D GEAR, BIG TWIN 1937-1977
	A-35131-82	35131-36	pk-5 BEARING WASHER, (.080) M/D GEAR, BIG TWIN 1937-1977

**\*\*CONTINUED NEXT PAGE\*\***

**\*5120 HILDA ROAD\* BLACKVILLE, S.C. 29817\* 803-284-3304\***

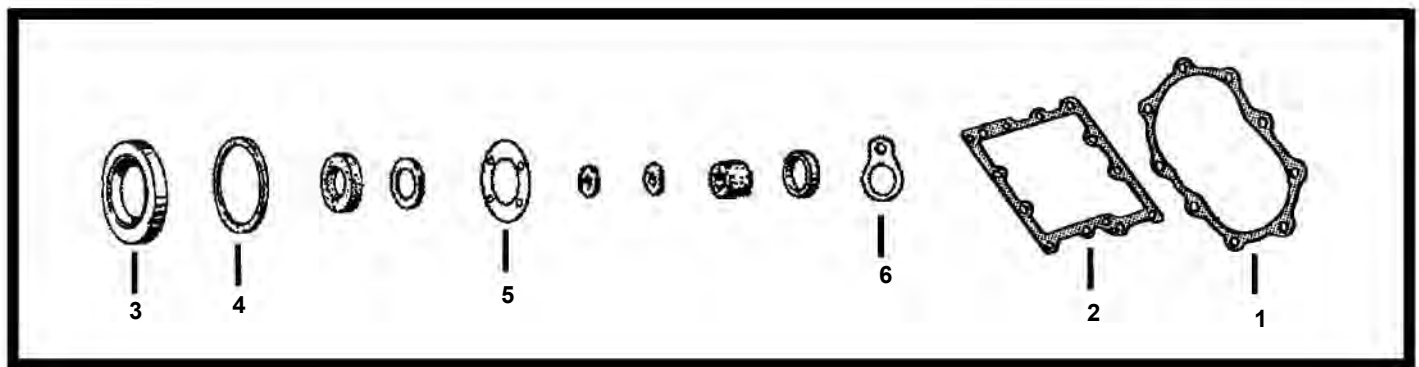
# **\*\*EASTERN MOTORCYCLE PARTS\*\***

## **\*\*TRANSMISSION-COUNTERSHAFT\*\***

**\*\*4-SPEED\*\***

**\*\*BIG TWIN 1936-1984\*\***

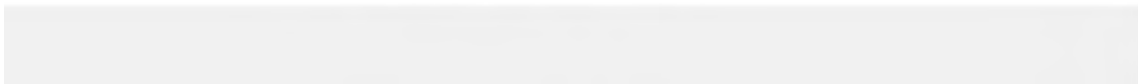
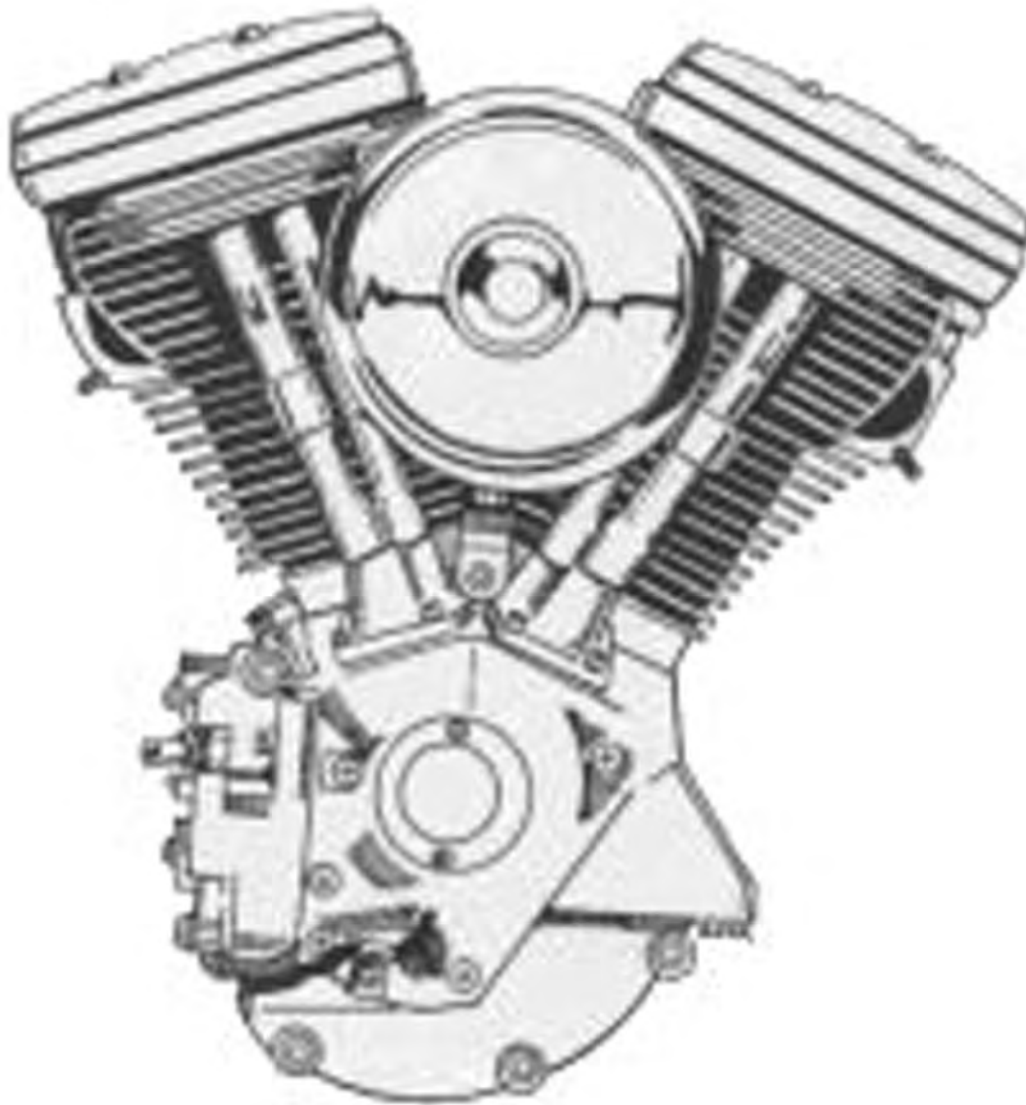
<u>DIAGRAM NUMBER</u>	<u>EASTERN NUMBER</u>	<u>REPLACES OEM</u>	<u>DESCRIPTION</u>
19	A-35131-93	35131-36	pk-5 BEARING WASHER, (.050) M/D GEAR, BIG TWIN 1937-1977
	A-35131-94	35131-36	pk-5 BEARING WASHER, (.045) M/D GEAR, BIG TWIN 1937-1977
	A-35131-95	35131-36	pk-5 BEARING WASHER, (.055) M/D GEAR, BIG TWIN 1937-1977
	A-35131-96	35131-36	pk-5 BEARING WASHER, (.040) M/D GEAR, BIG TWIN 1937-1977
	A-35131-SET		set-4 BEARING WASHER SET -4 (.060-.080) M/D GEAR, BIG TWIN 1937-'77 <b>SET INCLUDES: (1ea) 35131-36, 35131-80, 35131-81, 35131-82</b>
20	A-35159-39	35159-39	each OIL DEFLECTOR, MAIN DRIVE GEAR, BIG TWIN 1937-1977
21	A-35160-80		kit OIL DEFLECTOR KIT (1) 35159-39/ (1) 35211-36/ (1)35216-36
22	A-35171-37	35171-37	each SPACER, MAIN DRIVE GEAR, BIG TWIN 1937-1977
23	A-35175-38	35175-38	pk-10 KEY, DRIVE GEAR SPACER, BIG TWIN 1937-1977
24	W-14-801-22	35203-36	each SPROCKET, COUNTERSHAFT, BIG TWIN 1936-1979 <b>***SEE PAGE 275, 276 FOR COMPLETE LIST OF SPROCKETS***</b>
25	A-35211-36	35211-36	each NUT, SPROCKET TO DRIVE GEAR, BIG TWIN 1936-1984
26	A-35216-36	35216-36	pk-10 LOCK TAB, M/S SPROCKET NUT, BIG TWIN 1937-1983
27	A-35230-36	35230-36	pk-5 OIL SEAL, MAINSHAFT RACE, BIG TWIN 1936-1979
28	L-3-967	35231-36	pk-10 GASKET (CORK), M/S OIL SEAL, BIG TWIN 1936-1977
28A	W-14-232	35282-59	each GEAR, MAINSHAFT, LOW & 2ND (15x20T), BIG TWIN 1937-1984
29	W-14-228	35306-59	each GEAR, MAINSHAFT THIRD, (24T) BIG TWIN 1937-1984
	74-0762	35306-59	each GEAR, MAINSHAFT THIRD, (24T) BIG TWIN 1937-1984 <b>**ANDREWS**</b>
30	L-3-968	36025-36	pk-10 GASKET, COUNTERSHAFT, TRANSMISSION, BIG TWIN 1936-1964
31	A-36027-36	36027-36	each END COVER, COUNTERSHAFT, (ZINC PLATED) BIG TWIN 1936-1964
	A-36027-KIT		kit-10 END COVER KIT, COUNTERSHAFT (ZINC PLATED) BIG TWIN 1936-64 <b>KIT INCLUDES: (4) 2582, (4) 7115, (1) 36025-36, (1) 36027-36</b>
32	A-37436-36	37436-36	pk-5 BUSHING, MAINSHAFT ENDS, BIG TWIN 1937-1980
33	A-37741-82	37741-82	pk-5 OIL SEALS, MAINSHAFT, BIG TWIN 1982-1986



<u>DIAGRAM NUMBER</u>	<u>EASTERN NUMBER</u>	<u>REPLACES OEM</u>	<u>DESCRIPTION</u>
1	3-960	33295-36	pk-10 GASKET, STARTER SIDE COVER <b>**4-SPEED**</b> BIG TWIN 1936-1986
2	3-961	34824-36	pk-10 GASKET, SHIFTER COVER <b>**4-SPEED**</b> BIG TWIN 1936-E/1979
3	35230-36	35230-39	pk-5 OIL SEAL, MAINSHAFT TRANSMISSION, BIG TWIN 1936-1979
4	3-967	35231-36	pk-10 GASKET (CORK) MAINSHAFT OIL SEAL, BIG TWIN 1936-1977
5	3-968	36025-36	pk-10 GASKET, COUNTERSHAFT END COVER, BIG TWIN 1936-1964
6	3-969	67141-36	pk-10 GASKET, SPEEDOMETER DRIVE UNIT, BIG TWIN 1936-1964



**\*\*EASTERN MOTORCYCLE PARTS\*\***

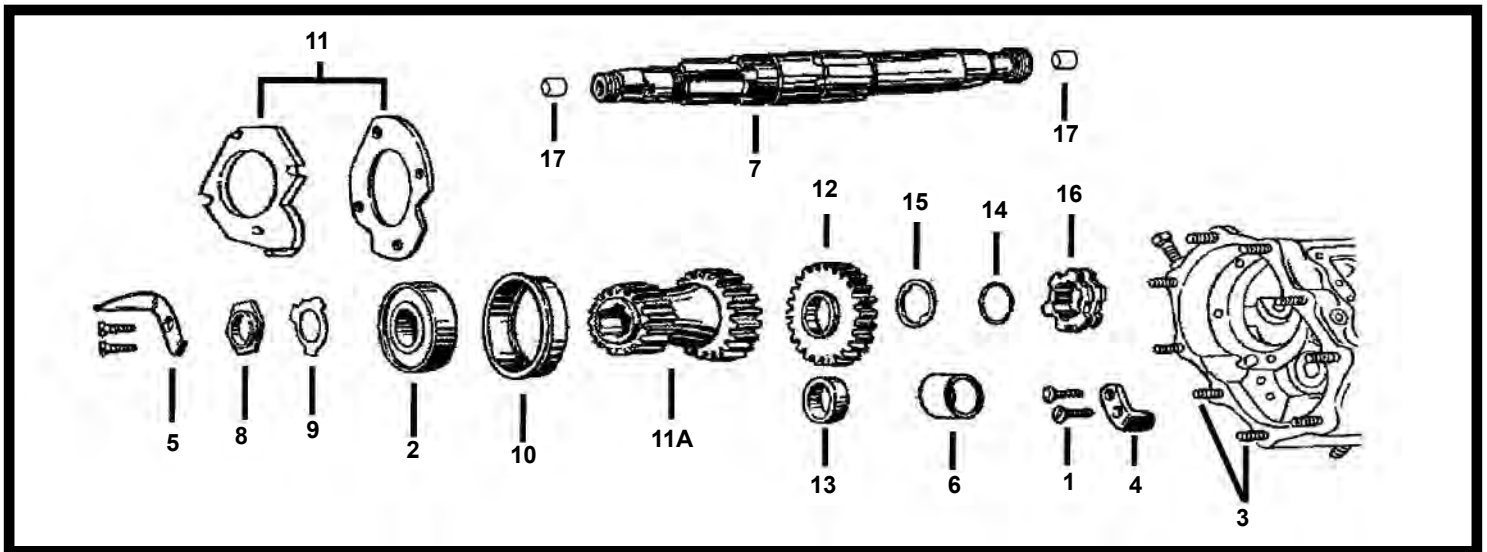


**\*5120 HILDA ROAD\* BLACKVILLE, S.C. 29817\* 803-284-3304\***

# **\*\*EASTERN MOTORCYCLE PARTS\*\***

## **\*\*TRANSMISSION-MAINSHAFT\*\***

**\*\*BIG TWIN 1936-1984\*\***



<u>DIAGRAM NUMBER</u>	<u>EASTERN NUMBER</u>	<u>REPLACES OEM</u>		<u>DESCRIPTION</u>
1	A-1864B	1864B	pk-10	SCREWS, BUMPER PLATE, BIG TWIN 1941-1984
2	A-9020	9020	each	BEARING, MAINSHAFT *4-SPEED*, BIG TWIN 1936-1984
3	A-33298-65	33298-65	pk-5	STUDS, SIDE COVER (1-1/2" LONG) BIG TWIN 1965-1984
4	A-33353-36	33353-36	pk-5	BUMPER PLATE, STARTER GEAR STOP, BIG TWIN 1936-E/1978
	V-13-249	33353-78	each	BUMPER PLATE, STARTER GEAR STOP, BIG TWIN L/1978-1984
5	A-33429-39	33429-39	pk-5	OIL DEFLECTOR, STARTER GEAR, BIG TWIN 1939-1979
	A-33429-80	33429-80	pk-5	OIL DEFLECTOR, STARTER GEAR, BIG TWIN 1980-1984
6	A-34090-84	34090-84	each	INNER BEARING RACE, **4TH GEAR** BIG TWIN 1984-1986
7	A-35039-65	35039-65	each	MAINSHAFT, BIG TWIN 1965-1969 <b>**EASTERNS**</b>
	74-0748	35039-65	each	MAINSHAFT, BIG TWIN 1965-1969 <b>**ANDREWS**</b>
	A-35039-70B	35039-70B	each	MAINSHAFT, BIG TWIN 1970-1984 <b>**EASTERNS**</b>
	74-0750	35039-70B	each	MAINSHAFT, BIG TWIN 1970-1984 <b>**ANDREWS**</b>
	A-35040-50	35040-50	each	MAINSHAFT, BIG TWIN 1941-1964 <b>**EASTERNS**</b>
	74-0745	35040-50	each	MAINSHAFT, BIG TWIN 1941-1964 <b>**ANDREWS**</b>
8	A-35046-36	35046-36	pk-5	NUT, MAINSHAFT BEARING, BIG TWIN 1936-1984
9	A-35050-40	35050-40	pk-10	LOCK TAB, MAINSHAFT BEARING NUT, BIG TWIN 1936-1984
10	A-35100-36	35100-36	each	HOUSING, MAINSHAFT BALL BEARING, BIG TWIN 1937-1979
	A-35100-79	35100-79	each	HOUSING, MAINSHAFT BALL BEARING, BIG TWIN 1980-1984
11	A-35111-36	35111-36	each	RETAINING PLATE, BEARING HOUSING, BIG TWIN 1937-1979
	A-35111-80	35111-80	each	RETAINING PLATE, BEARING HOUSING, BIG TWIN 1980-1984
11A	W-14-232	35282-59	each	GEAR, MAINSHAFT, LOW & 2ND (15x20T), BIG TWIN 1937-1984
12	W-14-228	35306-59	each	GEAR, MAINSHAFT, THIRD (24T), BIG TWIN 1937-1984
	74-0762	35306-59	each	GEAR, MAINSHAFT, 3RD (1.23), BIG TWIN 1937-1985 <b>**ANDREWS**</b>
13	A-35322-38	35322-38	each	BUSHING, 3RD GEAR, BIG TWIN 1937-1959
14	A-35337-36	35337-36	pk-10	RETAINING RINGS, M/S 3RD GEAR, BIG TWIN 1936-1984

**\*\*CONTINUED NEXT PAGE\*\***

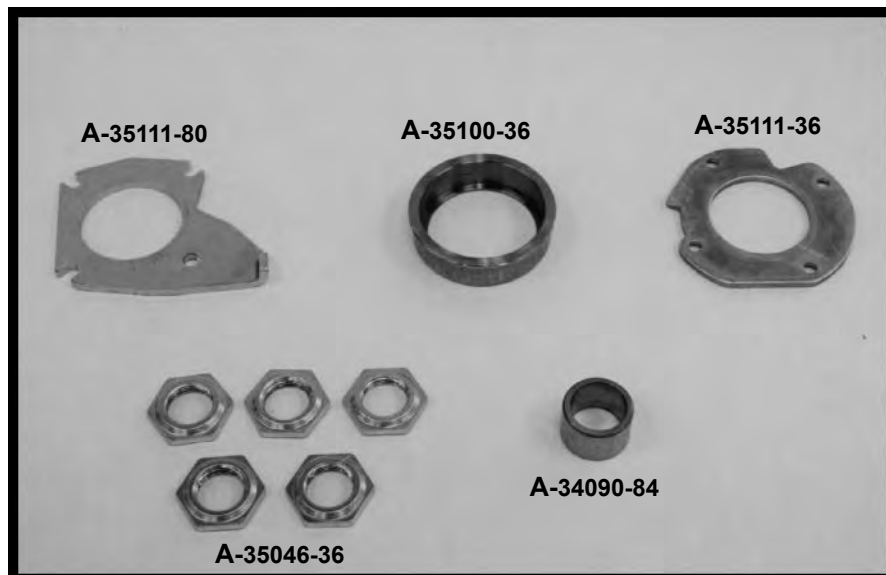
# **\*\*EASTERN MOTORCYCLE PARTS\*\***

## **\*\*TRANSMISSION-MAINSHAFT\*\***

### **\*\*BIG TWIN 1936-1984\*\***

<b>DIAGRAM NUMBER</b>	<b>EASTERN NUMBER</b>	<b>REPLACES OEM</b>	<b>DESCRIPTION</b>
15	A-35365-36	35365-36	pk-5 WASHER, M/S 3RD GEAR, **STD. .063**, BIG TWIN 1937-1984
	A-35365-87	35365-36	pk-5 WASHER, M/S 3RD GEAR, **-.005 .058**, BIG TWIN 1937-1984
	A-35365-88	35365-36	pk-5 WASHER, M/S 3RD GEAR, **-.010 .053**, BIG TWIN 1937-1984
	A-35365-89	35365-36	pk-5 WASHER, M/S 3RD GEAR, **-.015 .048**, BIG TWIN 1937-1984
	A-35365-91	35365-36	pk-5 WASHER, M/S 3RD GEAR, **+.005 .068**, BIG TWIN 1937-1984
	A-35365-92	35365-36	pk-5 WASHER, M/S 3RD GEAR, **+.010 .073**, BIG TWIN 1937-1984
	A-35365-93	35365-36	pk-5 WASHER, M/S 3RD GEAR, **+.015 .078**, BIG TWIN 1937-1984
	A-35365-94	35365-36	pk-5 WASHER, M/S 3RD GEAR, **+.020 .083**, BIG TWIN 1937-1984
	16	W-14-225	35440-38
74-0768		35440-38	each SHIFTER CLUTCH, 3RD & 4TH, BIG TWIN 1937-1984 <b>**ANDREWS**</b>
17	A-37436-36	37436-36	pk-5 BUSHING, MAINSHAFT ENDS, BIG TWIN 1937-1980

**\*\*MAINSHAFTS AND COUNTERSHAFTS ARE MANUFACTURED BY EASTERN\*\***

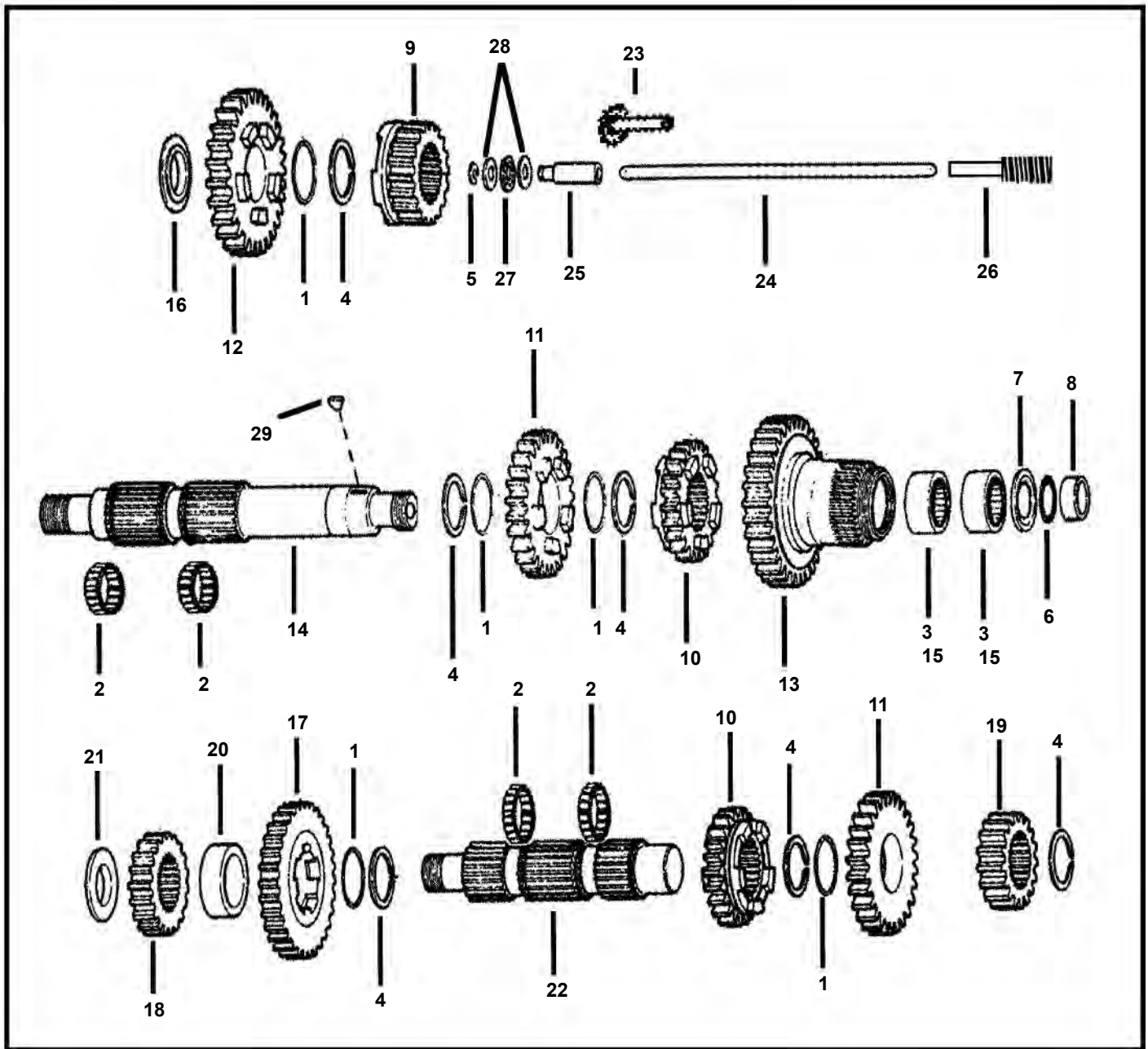


# \*\*EASTERN MOTORCYCLE PARTS\*\*

## \*\*TRANSMISSION\*\*

### \*\*5-SPEED\*\*

### \*\*BIG TWIN 1980-EARLY 1995\*\*



**\*\*CONTINUED ON NEXT PAGE\*\***

# **\*\*EASTERN MOTORCYCLE PARTS\*\***

## **\*\*TRANSMISSION\*\***

### **\*\*5-SPEED\*\***

### **\*\*BIG TWIN 1980-EARLY 1995\*\***

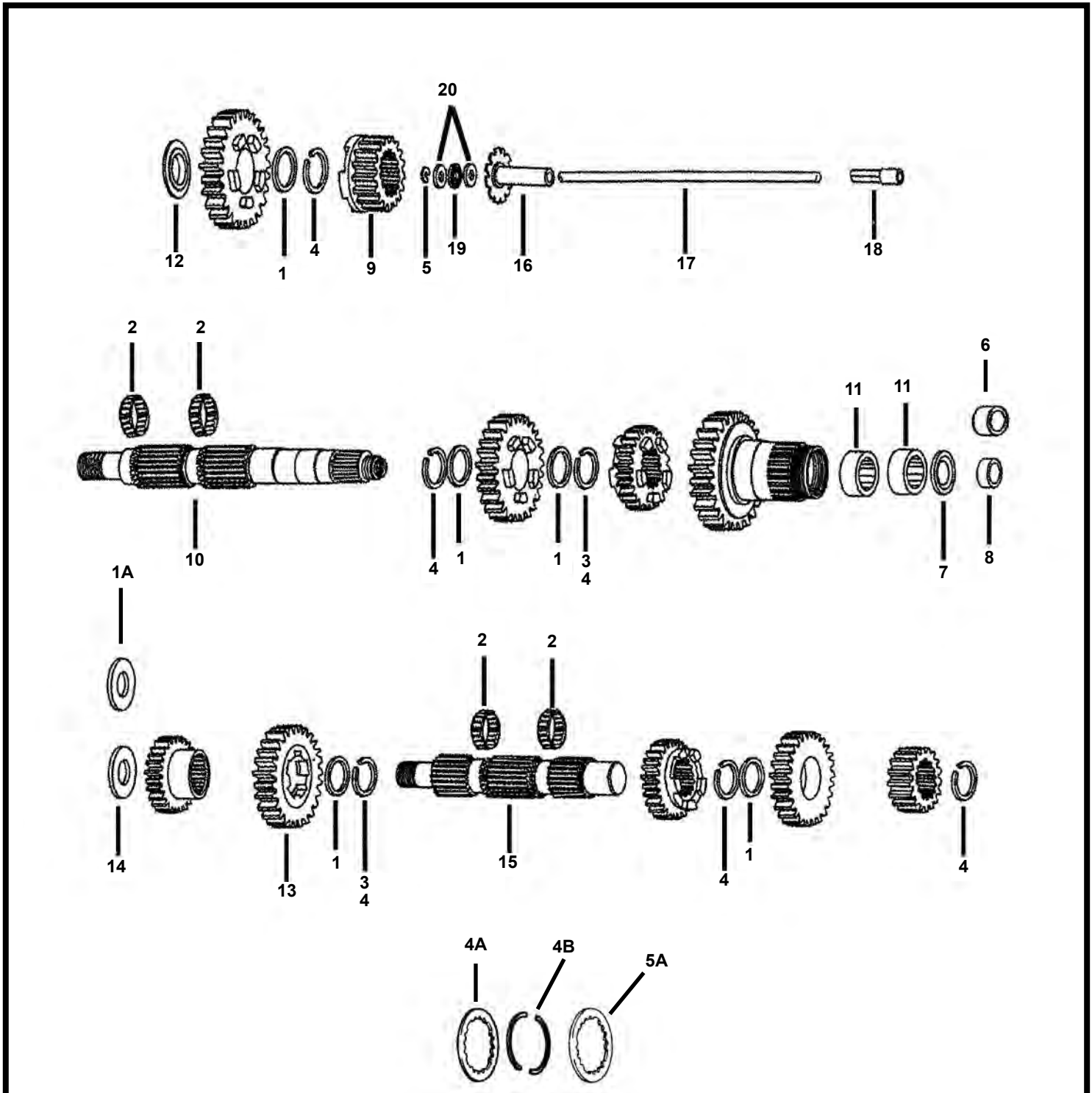
<u>DIAGRAM NUMBER</u>	<u>EASTERN NUMBER</u>	<u>REPLACES OEM</u>		<u>DESCRIPTION</u>
1	A-6003	6003	pk-5	THRUST WASHER, M/S & COUNTERSHAFT, BIG TWIN 1980-2006
2	A-8876A	8876A	set-4	BEARING, MAIN & COUNTERSHAFT, 5-SPEED, BIG TWIN 1980-2006
3	A-8904	8904	each	BEARING, MAIN DRIVE GEAR, 5-SPEED, BIG TWIN 1980-1992
4	A-11067	11067	pk-10	RETAINING RING, M/S & C/S, 5-SPEED, BIG TWIN 1980-PRESENT
5	A-11096	11096	pk-10	RETAINING RING, CLUTCH PUSH ROD, (3/4 RING), BIG TWIN 1975-P
	A-11096A	11096	pk-10	RETAINING RING, CLUTCH PUSH ROD, (FULL RING) BIG TWIN 1975-P
6	A-11165	11165	pk-10	QUAD SEAL, BALL BEARING, 5-SPEED, BIG TWIN 1984-2006
7	A-12013	12013	pk-5	OIL SEALS, M/D GEAR <b>*WITH RUBBER O.D.*</b> B/T 1965-'66 & L/1981-'90
	A-12013A	12013A	pk-5	OIL SEALS, M/D GEAR <b>*WITH METAL O.D.*</b> B/T 1965-1966 & L/1981-'90
	A-12035	12035	pk-5	OIL SEAL, MAIN DRIVE GEAR, BIG TWIN 1991-PRESENT
8	A-34091-85	34091-85	each	INNER RACE, BEARING 5TH GEAR, BIG TWIN 1985-PRESENT
9	74-0934	35025-79	each	GEAR, 1ST, MAINSHAFT, BIG TWIN 1980-2006 <b>**ANDREWS**</b>
10	74-0936	35026-79A	each	GEAR, 2ND M/S OR 3RD C/S, BIG TWIN 1980-1995 <b>**ANDREWS**</b>
11	74-0940	35027-79A	each	GEAR, 3RD M/S OR 2ND C/S, BIG TWIN 1980-1995 <b>**ANDREWS**</b>
12	74-0950	35028-79	each	4TH GEAR, MAINSHAFT, BIG TWIN 1980-1995 <b>**ANDREWS**</b>
13	74-0954	35029-79	each	5TH GEAR, MAIN DRIVE (BELT), BIG TWIN 1979-1984 <b>**ANDREWS**</b>
	74-0957	35029-85	each	5TH GEAR, MAIN DRIVE (BELT), BIG TWIN 1985-1990 <b>**ANDREWS**</b>
	74-0959	35029-91A	each	5TH GEAR, MAIN DRIVE (BELT), BIG TWIN 1991-1995 <b>**ANDREWS**</b>
14	A-35042-79	35042-79	each	MAINSHAFT, CHAIN DRIVE, BIG TWIN 1979-1984 <b>**EASTERNS**</b>
	74-0990	35042-79	each	MAINSHAFT, CHAIN DRIVE, BIG TWIN 1979-1984 <b>**ANDREWS**</b>
	A-35042-85	35042-85	each	MAINSHAFT, BELT DRIVE, BIG TWIN 1985-1989 <b>**EASTERNS**</b>
	74-0992	35042-85	each	MAINSHAFT, BELT DRIVE, BIG TWIN 1985-1989 <b>**ANDREWS**</b>
	A-35042-90	35042-90	each	MAINSHAFT, BELT DRIVE, BIG TWIN 1990-ONLY <b>**EASTERNS**</b>
	74-0994	35042-90	each	MAINSHAFT, BELT DRIVE, BIG TWIN 1990-ONLY <b>**ANDREWS**</b>
	A-35042-91	35042-91	each	MAINSHAFT, BELT DRIVE, BIG TWIN 1991-2006 <b>**EASTERNS**</b>
	74-0996	35042-91	each	MAINSHAFT, BELT DRIVE, BIG TWIN 1991-2006 <b>**ANDREWS**</b>
15	A-35051-89	35051-89	each	BEARING, MAIN DRIVE GEAR, BIG TWIN 1993-2006
16	A-35064-79	35064-79	pk-5	SPACER, M/ SHAFT, 4TH GEAR, 5-SPEED, BIG TWIN 1980-2006
17	74-0932	35622-79C	each	1ST GEAR, COUNTERSHAFT, BIG TWIN 1979-2006 <b>**ANDREWS**</b>
18	74-0945	35625-79A	each	4TH GEAR, COUNTERSHAFT, BIG TWIN 1980-1995 <b>**ANDREWS**</b>
19	74-0947	35626-79A	each	5TH GEAR, COUNTERSHAFT, BIG TWIN 1980-1995 <b>**ANDREWS**</b>
20	A-35628-79	35628-79	each	SPACER, COUNTERSHAFT, 1ST & 4TH GEAR, BIG TWIN 1980-1992
21	A-35629-79	35629-79	pk-5	SPACER, COUNTERSHAFT, 4TH GEAR, BIG TWIN 1980-2006
22	A-35632-79	35632-79	each	COUNTERSHAFT, BIG TWIN 1980-2006 <b>**EASTERNS**</b>
	74-0975	35632-79	each	COUNTERSHAFT, BIG TWIN 1980-2006 <b>**ANDREWS**</b>
23	A-37069-90	37069-90	each	CLUTCH PUSH ROD END, RIGHT SIDE, W/OIL SLINGER, B/T 1991-P.
24	A-37088-79	37088-79	each	CLUTCH PUSH ROD, 5-SPEED, BIG TWIN 1980-E/84
	A-37088-84	37088-84	each	CLUTCH PUSH ROD, 5-SPEED, BIG TWIN LATE 1984-ONLY
	A-37088-85	37088-85	each	CLUTCH PUSH ROD, 5-SPEED, BIG TWIN 1985-1986
	A-37088-87	37088-87	each	CLUTCH PUSH ROD, 5-SPEED, BIG TWIN 1987-1989
	A-37088-90	37088-90	each	CLUTCH PUSH ROD, 5-SPEED, BIG TWIN 1990-PRESENT
25	A-37089-79	37089-79	each	CLUTCH PUSH ROD END, RIGHT SIDE, 5-SPEED, BIG TWIN 1980-E/84
	A-37089-84	37089-84	each	CLUTCH PUSH ROD END, RIGHT SIDE, 5-SPEED, BIG TWIN 1984-'90
26	A-37090-79	37090-79	each	CLUTCH PUSH ROD END, LEFT SIDE, 5-SPEED, BIG TWIN 1980-E/'84
	A-37090-84A	37090-84A	each	CLUTCH PUSH ROD END, LEFT SIDE, 5-SPEED, BIG TWIN L/1984-'97
27	A-37312-75	37312-75	each	BEARING, CLUTCH PUSH ROD END, BIG TWIN 1975-PRESENT
28	A-37312-KIT			BEARING KIT, CLUTCH PUSH ROD, BIG TWIN 1975-PRESENT
	A-37313-80	37313-80	pk-5	<b>KIT INCLUDES: (1) 11096A, (1) 37312-75, (2) 37313-80</b>
29	A-37523-85	37523-85	pk-10	THRUST WASHER, PUSH ROD END, BIG TWIN 1975-PRESENT
				KEY, CLUTCH HUB, MAIN SHAFT, BIG TWIN 1985-1989

# \*\*EASTERN MOTORCYCLE PARTS\*\*

## \*\*TRANSMISSION\*\*

### \*\*5 & 6-SPEED\*\*

### \*\*BIG TWIN 1995-PRESENT\*\*



\*\*CONTINUED ON NEXT PAGE\*\*

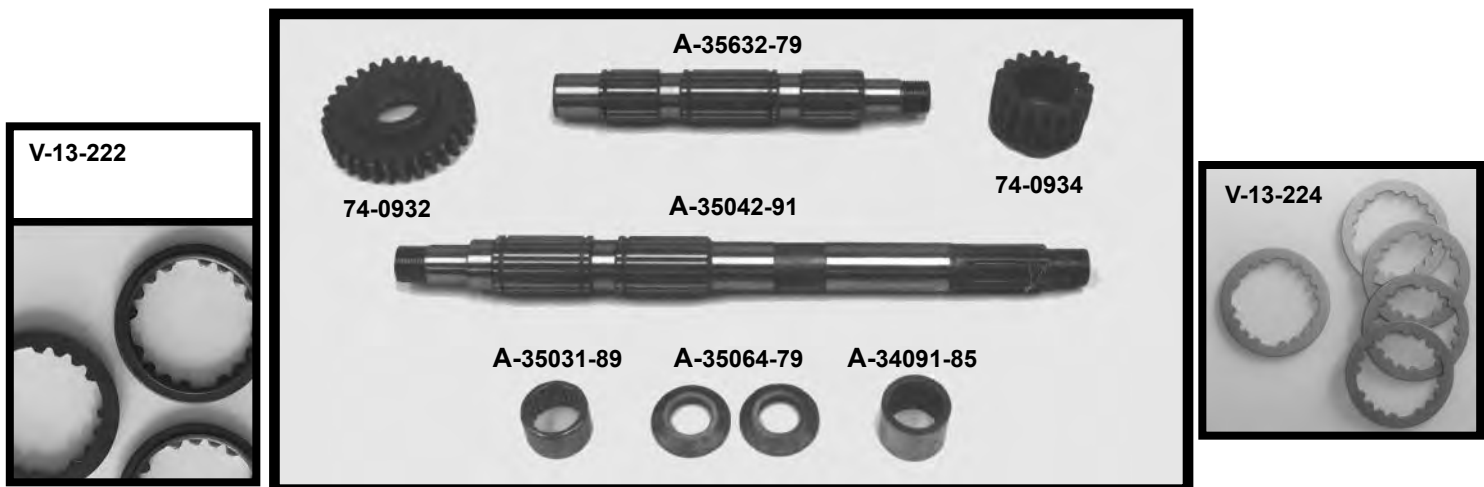
# **\*\*EASTERN MOTORCYCLE PARTS\*\***

## **\*\*TRANSMISSION\*\***

### **\*\*5 & 6-SPEED\*\***

### **\*\*BIG TWIN 1995-PRESENT\*\***

<u>DIAGRAM NUMBER</u>	<u>EASTERN NUMBER</u>	<u>REPLACES OEM</u>	<u>DESCRIPTION</u>
1A	44-0505	5837	pk-5 SPACER, COUNTERSHAFT, FIRST GEAR, BIG TWIN 2006-PRESENT
1	A-6003	6003	pk-5 THRUST WASHER, M/S & COUNTERSHAFT, BIG TWIN 1980-2006
2	A-8876A	8876A	pk-4 BEARING, MAIN & COUNTERSHAFT, 5-SPEED, BIG TWIN 1980-2006
	40-0315	8026-K	pk-4 BEARING, MAIN & COUNTERSHAFT <b>**6-SPEED**</b> BIG TWIN 2006-PRES.
3	A-10991	10991	pk-10 RETAINING RING, MAIN DRIVE GEAR, <b>**6-SPEED**</b> BIG TWIN 2006-P.
4	A-11067	11067	pk-10 RETAINING RING, M/S & C/S, 5-SPEED, BIG TWIN 1980-PRESENT
4A	V-13-222	11081	set-3 LOCK RING, COUNTERSHAFT SECOND GEAR, BIG TWIN 2006-PRES.
4B	A-11082	11082	pk-6 SECURING SEGMENT, COUNTERSHAFT 2nd & 3rd , BIG TWIN 2006-P.
5	A-11096	11096	pk-10 RETAINING RING, CLUTCH PUSH ROD, (3/4 RING), BIG TWIN 1975-P
	A-11096A	11096	pk-10 RETAINING RING, CLUTCH PUSH ROD, (FULL RING) BIG TWIN 1975-P
5A	V-13-224	11207	pk-5 WASHER, INTERNAL SPLINE C/SHAFT *3rd GEAR* BIG TWIN 2006-P.
6	40-0160	11599	each BEARING SPACER, 5TH GEAR <b>**6-SPEED**</b> BIG TWIN 2006-PRESENT
7	A-12035	12035	pk-5 OIL SEAL, MAIN DRIVE GEAR, BIG TWIN 1991-PRESENT
8	A-34091-85	34091-85	each INNER RACE, BEARING 5TH GEAR, BIG TWIN 1985-PRESENT
	40-0146	34091-06	each INNER RACE, BEARING <b>**6-SPEED**</b> , BIG TWIN 2006-2007
	40-0148	34091-08	each INNER RACE, BEARING <b>**6-SPEED**</b> , BIG TWIN 2008-2017
9	74-0934	35025-79B	each GEAR, 1ST, MAINSHAFT, BIG TWIN 1980-2006 <b>**ANDREWS**</b>
10	A-35042-91	35042-91	each MAINSHAFT, BELT DRIVE, BIG TWIN 1991-2006 <b>**EASTERNS**</b>
	74-0996	35042-91	each MAINSHAFT, BELT DRIVE, BIG TWIN 1991-2006 <b>**ANDREWS**</b>
11	A-35051-89	35051-89	each BEARING, MAIN DRIVE GEAR, BIG TWIN 1993-2006
12	A-35064-79	35064-79	pk-5 SPACER, M/ SHAFT, 4TH GEAR, 5-SPEED, BIG TWIN 1980-2006
13	74-0932	35622-79C	each 1ST GEAR, COUNTERSHAFT, BIG TWIN 1979-2006 <b>**ANDREWS**</b>
14	A-35629-79	35629-79	pk-5 SPACER, COUNTERSHAFT, 4TH GEAR, BIG TWIN 1980-2006
15	A-35632-79	35632-79	each COUNTERSHAFT, BIG TWIN 1980-2006 <b>**EASTERNS**</b>
	74-0975	35632-79	each COUNTERSHAFT, BIG TWIN 1980-2006 <b>**ANDREWS**</b>
16	A-37069-90	37069-90	each CLUTCH PUSH ROD END, RIGHT SIDE, W/OIL SLINGER, B/T 1991-P.
17	A-37088-90	37088-90	each CLUTCH PUSH ROD, 5-SPEED, BIG TWIN 1990-PRESENT
18	A-37090-84A	37090-84A	each CLUTCH PUSH ROD END, LEFT SIDE, 5-SPEED, BIG TWIN L/1984-'97
19	A-37312-75	37312-75	each BEARING, CLUTCH PUSH ROD END, BIG TWIN 1975-PRESENT
20	A-37312-KIT		BEARING KIT, CLUTCH PUSH ROD, BIG TWIN 1975-PRESENT
	A-37313-80	37313-80	pk-5 THRUST WASHER, PUSH ROD END, BIG TWIN 1975-PRESENT

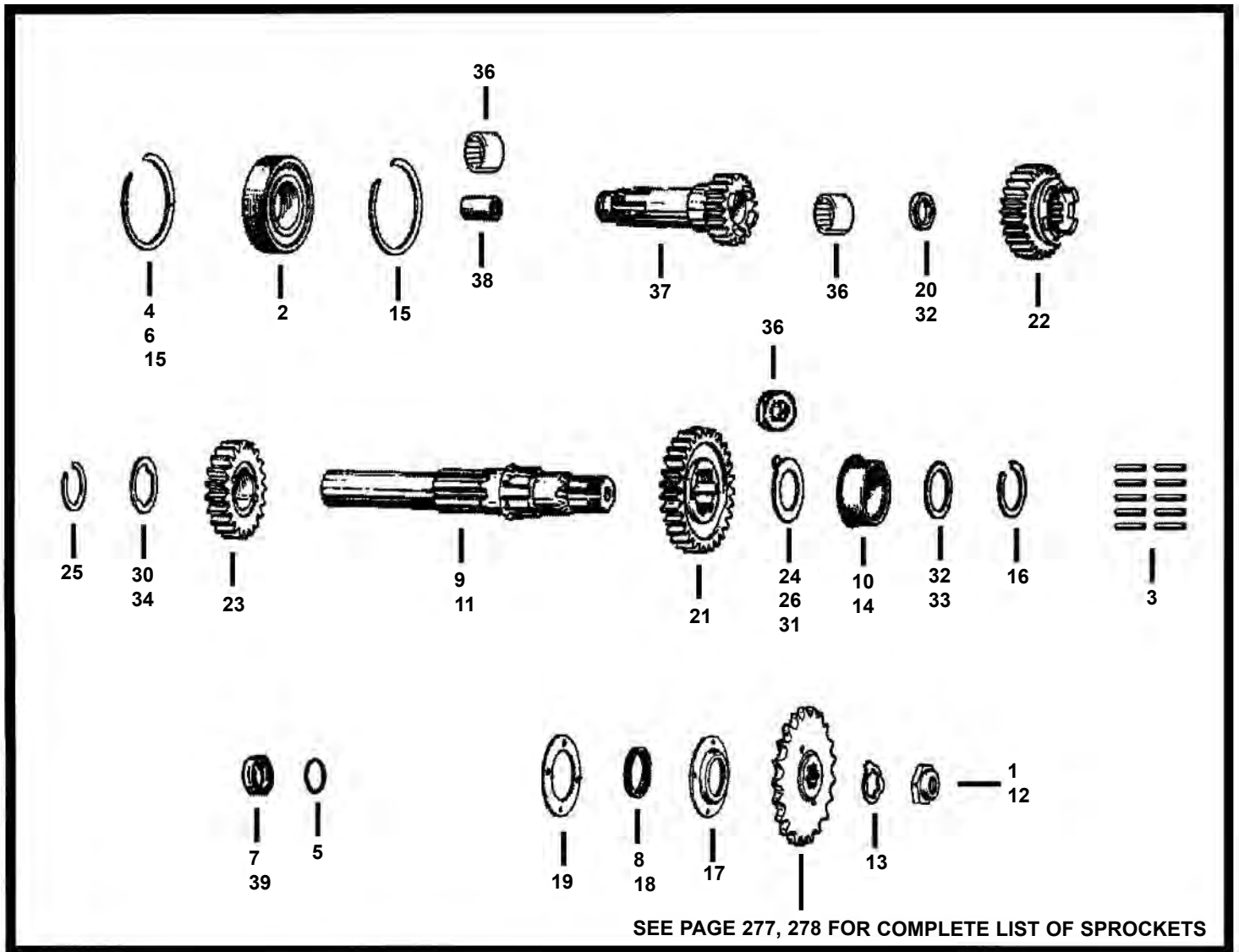


# \*\*EASTERN MOTORCYCLE PARTS\*\*

## \*\*TRANSMISSION\*\*

### \*\*MAINSHAFT\*\*

#### \*\*SPORTSTER 1954-1990\*\*



SEE PAGE 277, 278 FOR COMPLETE LIST OF SPROCKETS

<u>DIAGRAM NUMBER</u>	<u>EASTERN NUMBER</u>	<u>REPLACES OEM</u>	<u>DESCRIPTION</u>
1	A-7855W	7855W	pk-5 NUT, MAINSHAFT SPROCKET SIDE, SPORTSTER L/1984-1990
2	A-9025	9025	each BEARING, TRANSMISSION MAINSHAFT, SPORTSTER 1952-1990
3	A-9095-23	9095	pk-23 ROLLERS, MAINSHAFT BUSHING (STD) SPORTSTER 1954-1984
	A-9096-23	9096	pk-23 ROLLERS, MAINSHAFT BUSHING (.0004) SPORTSTER 1954-1984
	A-9097-23	9097	pk-23 ROLLERS, MAINSHAFT BUSHING (.0008) SPORTSTER 1954-1984
	A-9118	9118	each BEARING, MAINSHAFT RACE, SPORTSTER L/1984-1990
4	A-11006	11006	pk-10 RETAINING RING, MAINSHAFT BEARING, SPORTSTER 1985-1990
5	A-11103	11103	pk-10 O-RING, CLUTCH GEAR END, SPORTSTER 1957-1969
	A-11119	11119	pk-10 O-RING, CLUTCH GEAR, SPORTSTER 1967-1970
6	A-11180	11180	pk-10 RETAINING RING, MAINSHAFT BALL BEARING, SPORT. 1984-1990

**\*\*CONTINUED ON NEXT PAGE\*\***

**\*5120 HILDA ROAD\* BLACKVILLE, S.C. 29817\* 803-284-3304\***

**\*Pg 214\***



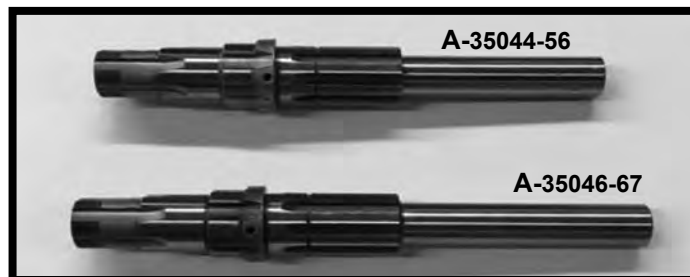
# **\*\*EASTERN MOTORCYCLE PARTS\*\***

## **\*\*TRANSMISSION\*\***

### **\*\*MAINSHAFT\*\***

#### **\*\*SPORTSTER 1954-1990\*\***

<u>DIAGRAM NUMBER</u>	<u>EASTERN NUMBER</u>	<u>REPLACES OEM</u>	<u>DESCRIPTION</u>
7	A-12021	12021 pk-5	OIL SEAL, CLUTCH GEAR, SPORTSTER 1967-1970
8	A-12049	12049 pk-5	OIL SEAL, M/S AND C/SHAFT SPROCKET, SPORTSTER 1984-1990
9	A-35036-84A	35036-84A each	MAINSHAFT, **4-SPEED** SPORTSTER L/1984-1990 <b>**EASTERNS**</b>
	74-0852	35036-84A each	MAINSHAFT, **4-SPEED** SPORTSTER L/1984-1990 <b>**ANDREWS**</b>
10	A-35041-84	35041-84 each	BUSHING, MAINSHAFT RACE (STD) SPORTSTER 1984-1990
	A-35041-86	each	BUSHING, MAINSHAFT RACE (.002) SPORTSTER 1984-1990
	A-35041-88	each	BUSHING, MAINSHAFT RACE (.005) SPORTSTER 1984-1990
11	W-14-180	35044-56 each	MAINSHAFT, **4-SPEED** SPORTSTER 1956-1969 <b>**IMPORT**</b>
*	A-35044-56	35044-56 each	MAINSHAFT, **4-SPEED** SPORTSTER 1956-1969 <b>**EASTERNS**</b>
	74-0845	35044-56 each	MAINSHAFT, **4-SPEED** SPORTSTER 1956-1969 <b>**ANDREWS**</b>
*	A-35046-67	35046-67 each	MAINSHAFT, **4-SPEED** SPORTSTER 1967-1970 <b>**EASTERNS**</b>
	A-35046-71A	35046-71A each	MAINSHAFT, **4-SPEED** SPORTSTER 1971-E/1984 <b>**EASTERNS**</b>
	W-14-182A	35046-71A each	MAINSHAFT, **4-SPEED** SPORTSTER 1971-E/1984 <b>**U.S.A.**</b>
	74-0850	35046-71A each	MAINSHAFT, **4-SPEED** SPORTSTER 1971-E/1984 <b>**ANDREWS**</b>
12	A-35047-53	35047-53 each	NUT (W/SEAL) MAINSHAFT SPROCKET, SPORTSTER 1954-1970
	A-35047-71A	35047-71A each	NUT, MAINSHAFT SPROCKET, SPORTSTER 1971-E/1984
13	A-35050-52	35050-52 pk-10	LOCK TAB, MAINSHAFT SPROCKET NUT, SPORTSTER 1954-1985
14	A-35105-52	35105-52 each	BUSHING, MAINSHAFT RACE (STD) SPORTSTER 1952-1983
	A-35105-77	35105-52 each	BUSHING, MAINSHAFT RACE (.002) SPORTSTER 1952-1983
	A-35105-78	35105-52 each	BUSHING, MAINSHAFT RACE (.005) SPORTSTER 1952-1983
	A-35105-79	35105-52 each	BUSHING, MAINSHAFT RACE (.010) SPORTSTER 1952-1983
	A-35105-80	35105-52 each	BUSHING, MAINSHAFT RACE (.020) SPORTSTER 1952-1983
	A-35105-81	35105-52 each	BUSHING, MAINSHAFT RACE (.015) SPORTSTER 1952-1983
	A-35105-82	35105-52 each	BUSHING, MAINSHAFT RACE (.025) SPORTSTER 1952-1983
	A-35105-82B	35105-52 each	BUSHING, MAINSHAFT RACE (.030) SPORTSTER 1952-1983
	A-35105-82C	35105-52 each	BUSHING, MAINSHAFT RACE (.035) SPORTSTER 1952-1983
	A-35105-83	35105-83 each	BUSHING, MAINSHAFT RACE (STD) SPORTSTER EARLY-1984
	A-35105-84	35105-84 each	BUSHING, MAINSHAFT RACE (.002) SPORTSTER EARLY-1984
	A-35105-85	35105-85 each	BUSHING, MAINSHAFT RACE (.005) SPORTSTER EARLY-1984
	A-35105-86	35105-86 each	BUSHING, MAINSHAFT RACE (.010) SPORTSTER EARLY-1984
	A-35105-87	35105-87 each	BUSHING, MAINSHAFT RACE (.015) SPORTSTER EARLY-1984
15	A-35112-52	35112-52 pk-10	RETAINING RING, MAINSHAFT BALL BEARING, SPORT. 1954-E/1984
	A-35112-84	35112-84 pk-10	RETAINING RING, MAINSHAFT BALL BEARING, SPORT. L/1984-1985
16	A-35113-52	35113-52 pk-10	RETAINING RING, MAINSHAFT ROLLERS, SPORTSTER 1954-1984
17	A-35150-52	35150-52 each	RETAINER (W/OIL SEAL) MAINSHAFT, SPORTSTER 1952-1984
18	A-35151-52A	35151-52A pk-5	OIL SEAL, MAINSHAFT & SPROCKET SHAFT, SPORTSTER 1954-1984
19	L-3-868	35169-52 pk-10	GASKET, MAINSHAFT OIL SEAL RETAINER, SPORTSTER 1952-1985
20	A-35216-79	35216-79 each	THRUST WASHER, MAINSHAFT LEFT SIDE, SPORTSTER 1979-1990
21	W-14-201	35277-52A each	GEAR, MAINSHAFT LOW (27 TOOTH) SPORT. 1952-1990 <b>**IMPORT**</b>
	74-0860	35277-52A each	GEAR, MAINSHAFT LOW (27 TOOTH) SPORT. 1952-1990 <b>*ANDREWS*</b>
22	W-14-205	35296-56A each	GEAR, MAINSHAFT 2ND (23 TOOTH) SPORT. 1956-1990 <b>**IMPORT**</b>
	74-0865	35296-56A each	GEAR, MAINSHAFT 2ND (23 TOOTH) SPORT. 1956-1990 <b>*ANDREWS*</b>



**\*\*CONTINUED NEXT PAGE\*\***

**\*5120 HILDA ROAD\* BLACKVILLE, S.C. 29817\* 803-284-3304\***

**\*Pg 215\***

# **\*\*EASTERN MOTORCYCLE PARTS\*\***

## **\*\*TRANSMISSION\*\***

### **\*\*MAINSHAFT\*\***

#### **\*\*SPORTSTER 1954-1990\*\***

<u>DIAGRAM NUMBER</u>	<u>EASTERN NUMBER</u>	<u>REPLACES OEM</u>	<u>DESCRIPTION</u>
23	W-14-198	35305-56A	each GEAR, MAINSHAFT 3RD (20 TOOTH) SPORT. 1956-1990 <b>**IMPORT**</b>
	74-0870	35305-56A	each GEAR, MAINSHAFT 3RD (20 TOOTH) SPORT. 1956-1990 <b>**ANDREWS**</b>
24	A-35326-SET		set-15 THRUST WASHERS, MAINSHAFT RIGHT SIDE, SPORT. 1954-1984 <b>SET INCLUDES: (1ea) .030,.040,.050,.055,.060,.065,.070,.075,.080,.085,.090,.098,.107,.116,.125</b>
	A-35326-73	35326-73	pk-5 THRUST WASHERS, MAINSHAFT R/SIDE (.080) SPORT. 1954-1984
25	A-35337-56	35337-56	pk-10 RETAINING RING, MAINSHAFT 3RD GEAR, SPORTSTER 1956-1990
26	A-35343-73	35343-73	pk-5 THRUST WASHERS, MAINSHAFT R/SIDE (.030) SPORT. 1954-1984
	A-35344-52		pk-5 THRUST WASHERS, MAINSHAFT R/SIDE (.035) SPORT. 1954-1984
	A-35344-73	35344-73	pk-5 THRUST WASHERS, MAINSHAFT R/SIDE (.040) SPORT. 1954-1984
	A-35345-52		pk-5 THRUST WASHERS, MAINSHAFT R/SIDE (.045) SPORT. 1954-1984
	A-35349-52	35349-52	pk-5 THRUST WASHERS, MAINSHAFT R/SIDE (.050) SPORT. 1954-1984
	A-35350-52	35350-52	pk-5 THRUST WASHERS, MAINSHAFT R/SIDE (.055) SPORT. 1954-1984
	A-35351-52	35351-52	pk-5 THRUST WASHERS, MAINSHAFT R/SIDE (.060) SPORT. 1954-1984
	A-35352-52	35352-52	pk-5 THRUST WASHERS, MAINSHAFT R/SIDE (.065) SPORT. 1954-1984
	A-35353-52	35353-52	pk-5 THRUST WASHERS, MAINSHAFT R/SIDE (.070) SPORT. 1954-1984
	A-35354-52	35354-52	pk-5 THRUST WASHERS, MAINSHAFT R/SIDE (.075) SPORT. 1954-1984
	A-35355-72	35355-72	pk-5 THRUST WASHERS, MAINSHAFT R/SIDE (.085) SPORT. 1954-1984
	A-35356-72	35356-72	pk-5 THRUST WASHERS, MAINSHAFT R/SIDE (.090) SPORT. 1954-1984
30	A-35356-86	35356-85	pk-5 WASHER, MAINSHAFT 3RD GEAR, <b>**4-SPEED**</b> SPORT. 1986-1990
31	A-35357-82	35357-82	pk-5 THRUST WASHERS, MAINSHAFT R/SIDE (.098) SPORT. 1979-1984
	A-35358-82	35358-82	pk-5 THRUST WASHERS, MAINSHAFT R/SIDE (.107) SPORT. 1979-1984
	A-35359-82	35359-82	pk-5 THRUST WASHERS, MAINSHAFT R/SIDE (.116) SPORT. 1979-1984
	A-35360-82	35360-82	pk-5 THRUST WASHERS, MAINSHAFT R/SIDE (.125) SPORT. 1979-1984
	A-35360-92		pk-5 THRUST WASHERS, MAINSHAFT R/SIDE (.130) SPORT. 1979-1984
	A-35360-SET		set-4 THRUST WASHERS, MAINSHAFT RIGHT SIDE, SPORT. 1979-1984 <b>SET INCLUDES: (1ea) 35357-82, 35358-82, 35359-82, 35360-82</b>
32	A-35361-56	35361-56	each THRUST WASHER, MAINSHAFT LEFT SIDE, SPORTSTER 1956-1979
33	A-35363-52	35363-52	pk-5 BEARING WASHERS, MAINSHAFT ROLLERS, SPORTSTER 1952-1984
34	A-35364-56	35364-56	pk-5 WASHER, MAINSHAFT 3RD GEAR, SPORTSTER 1956-1985
35	A-35380-84	35380-84	pk-5 THRUST WASHER, MAINSHAFT R/SIDE (.0965) SPORT. 1984-1990
	A-35381-84	35381-84	pk-5 THRUST WASHER, MAINSHAFT R/SIDE (.0905) SPORT. 1984-1990
	A-35382-84	35382-84	pk-5 THRUST WASHER, MAINSHAFT R/SIDE (.0845) SPORT. 1984-1990
	A-35383-84	35383-84	pk-5 THRUST WASHER, MAINSHAFT R/SIDE (.0795) SPORT. 1984-1990
	A-35384-84	35384-84	pk-5 THRUST WASHER, MAINSHAFT R/SIDE (.0725) SPORT. 1984-1990
	A-35385-84	35385-84	pk-5 THRUST WASHER, MAINSHAFT R/SIDE (.0675) SPORT. 1984-1990
	A-35385-SET		set-6 THRUST WASHER, MAINSHAFT RIGHT SIDE, SPORTSTER 1984-1990 <b>SET INCLUDES: (1ea) 35380-84, 35381-84, 35382-84, 35383-84, 35384-84, 35385-84</b>
36	A-35961-52	35961-52	each BEARING, MAINSHAFT & COUNTERSHAFT (OPEN END) SP 1954-1990
37	W-14-452	37448-67	each CLUTCH GEAR (17 TOOTH) SPORTSTER 1967-1970 <b>**IMPORTED**</b>
	W-14-454	37448-71	each CLUTCH GEAR (17 TOOTH) SPORTSTER 1971-1978 <b>**IMPORTED**</b>
	74-0910	37448-71	each CLUTCH GEAR (17 TOOTH) SPORTSTER 1971-1978 <b>**ANDREWS**</b>
	W-14-456	37448-79	each CLUTCH GEAR (17 TOOTH) SPORTSTER 1979-1984 <b>**IMPORTED**</b>
	74-0912	37448-79	each CLUTCH GEAR (17 TOOTH) SPORTSTER 1979-1984 <b>**ANDREWS**</b>
	W-14-458	37448-84A	each CLUTCH GEAR (17 TOOTH) SPORTSTER 1984-1986 <b>**IMPORTED**</b>
	W-14-450	37449-56	each CLUTCH GEAR (17 TOOTH) SPORTSTER 1956-1969 <b>**IMPORTED**</b>
38	A-37458-52	37458-52	each BUSHING, CLUTCH GEAR, SPORTSTER 1954-1985
39	A-37531-56B	37531-56B	pk-5 OIL SEALS, CLUTCH GEAR, SPORTSTER 1956-1969

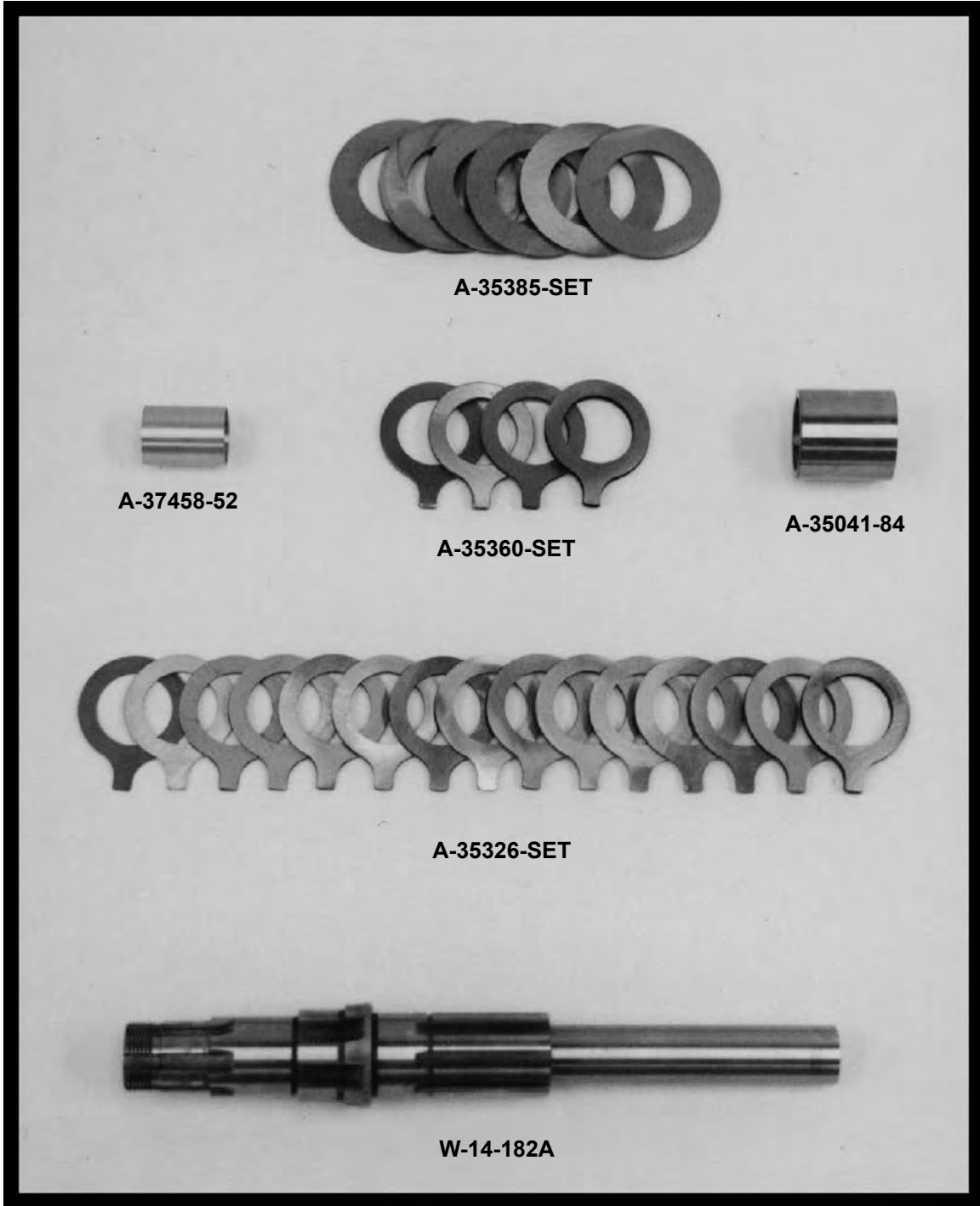
**\*\*SEE PAGE 277, 278 FOR COMPLETE LIST OF SPROCKETS\*\***

**\*\*EASTERN MOTORCYCLE PARTS\*\***

**\*\*TRANSMISSION\*\***

**\*\*MAINSHAFT\*\***

**\*\*SPORTSTER 1954-1990\*\***



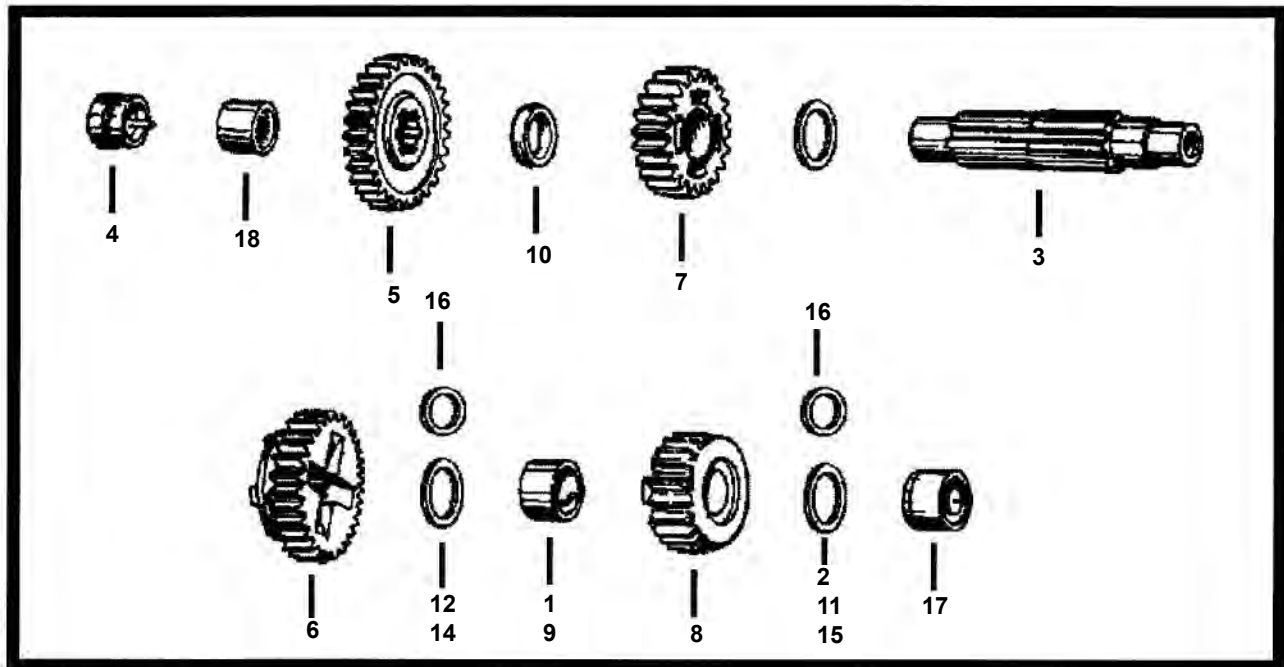
**\*\*ALL PARTS SHOWN ARE MADE IN THE U.S.A.\*\***

# **\*\*EASTERN MOTORCYCLE PARTS\*\***

## **\*\*TRANSMISSION\*\***

### **\*\*COUNTERSHAFT\*\***

#### **\*\*SPORTSTER 1954-1990\*\***



<u>DIAGRAM NUMBER</u>	<u>EASTERN NUMBER</u>	<u>REPLACES OEM</u>		<u>DESCRIPTION</u>
1	A-8888	8888	each	BEARING, LOW GEAR COUNTERSHAFT, SPORTSTER 1986-1990
2	A-35326-86 A-35327-73 A-35327-SET	35327-73	pk-5 pk-5 set-12	THRUST WASHERS, COUNTERSHAFT (.085) SPORTSTER 1954-1984 THRUST WASHERS, COUNTERSHAFT (.025) SPORTSTER 1954-1984 THRUST WASHERS, COUNTERSHAFT LOW, SPORTSTER 1954-1984
	A-35328-73 A-35329-73	35328-73 35329-73	pk-5 pk-5	THRUST WASHERS, COUNTERSHAFT (.035) SPORTSTER 1954-1984 THRUST WASHERS, COUNTERSHAFT (.045) SPORTSTER 1954-1984
3	A-35613-58 74-0875 A-35613-84 A-35613-91 A-35613-KIT	35613-58 35613-58 35613-84 35613-91 35613-84B	each each each each kit	COUNTERSHAFT, **4-SPEED** SPORT. 1958-E/1984 <b>**EASTERNS**</b> COUNTERSHAFT, **4-SPEED** SPORT. 1958-E/1984 <b>**ANDREWS**</b> COUNTERSHAFT, **4-SPEED** SPORT.L/1984-1990 <b>**EASTERNS**</b> COUNTERSHAFT, **NEW STYLE** SPORT. L/1984-1990 <b>**EASTERNS**</b> COUNTERSHAFT, **NEW STYLE** (WITH WASHERS)SP. L/1984-1990 <b>KIT INCLUDES: (1ea) 35860-86, 35861-86, 35862-86, 35863-86, 35864-86, 35865-86</b>
4	A-35631-54 A-35631-73	35631-54 35631-73	each each	OILER PLUG, COUNTERSHAFT **4-SPEED** SPORTSTER 1954-1972 OILER PLUG, COUNTERSHAFT **4-SPEED** SPORTSTER 1973-1985
5	W-14-202 74-0890	35695-58 35695-58	each each	GEAR, COUNTERSHAFT (27T) SPORTSTER 1958-1986 <b>**IMPORTED**</b> GEAR, COUNTERSHAFT (27T) SPORTSTER 1958-1986 <b>**ANDREWS**</b>
6	W-14-204 74-0880	35709-54B 35709-54B	each each	GEAR, COUNTERSHAFT 3RD (23T) SPORT. 1956-1990 <b>**IMPORTED**</b> GEAR, COUNTERSHAFT 3RD (23T) SPORT. 1956-1990 <b>**ANDREWS**</b>
7	W-14-197 74-0885	35750-58A 35750-58A	each each	GEAR, COUNTERSHAFT 2ND (20T) SPORT. 1956-1990 <b>**IMPORTED**</b> GEAR, COUNTERSHAFT 2ND (20T) SPORT. 1956-1990 <b>**ANDREWS**</b>

**\*\*CONTINUED NEXT PAGE\*\***

**\*5120 HILDA ROAD\* BLACKVILLE, S.C. 29817\* 803-284-3304\***

**\*Pg 218\***

# \*\*EASTERN MOTORCYCLE PARTS\*\*

## \*\*TRANSMISSION\*\*

### \*\*COUNTERSHAFT\*\*

#### \*\*SPORTSTER 1954-1990\*\*

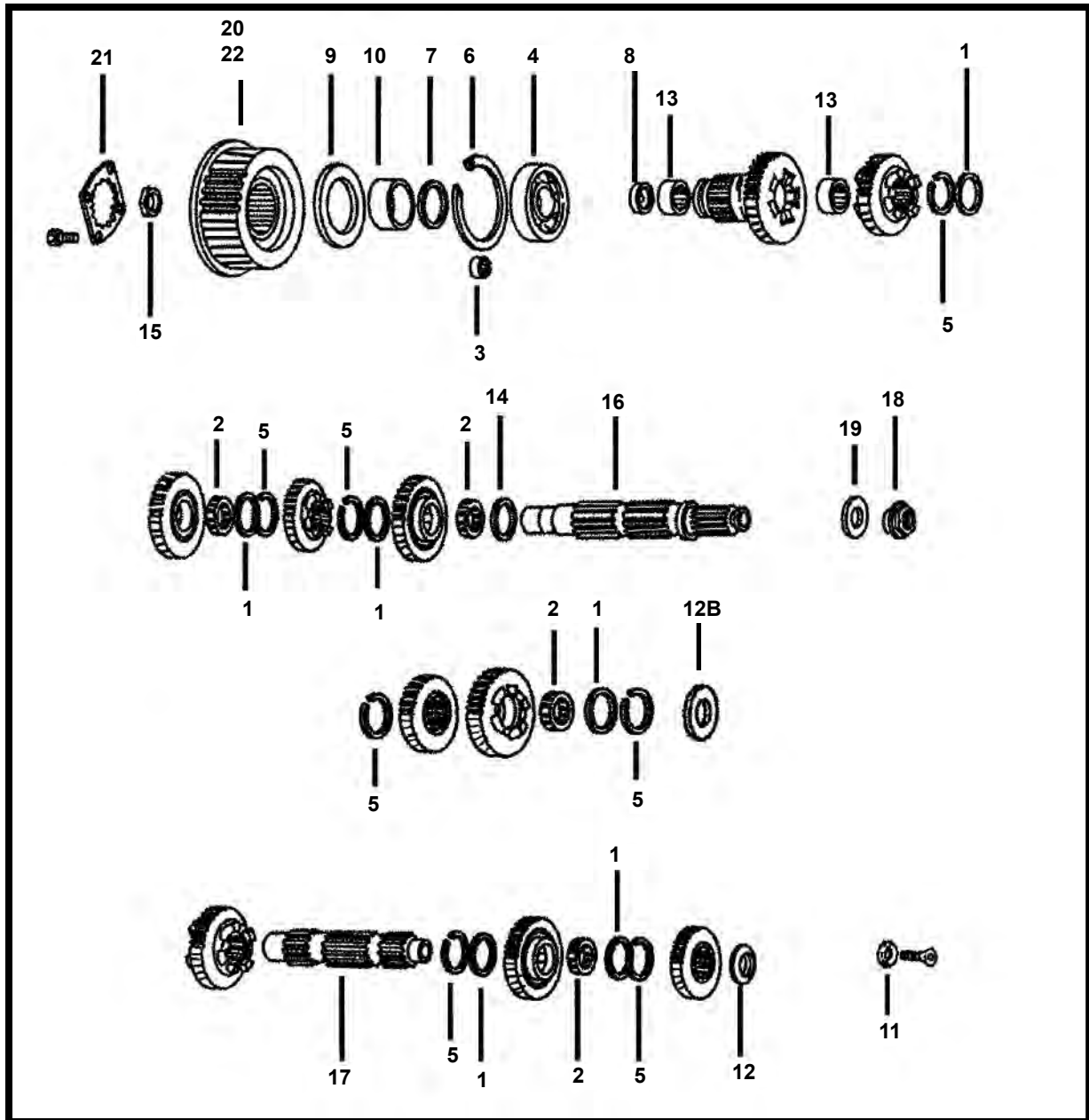
<u>DIAGRAM NUMBER</u>	<u>EASTERN NUMBER</u>	<u>REPLACES OEM</u>	<u>DESCRIPTION</u>	
8	W-14-211	35760-73	each GEAR, COUNTERSHAFT LOW (17T) SPORT. 1973-1984**IMPORTED**	
	74-0856	35760-73	each GEAR, COUNTERSHAFT LOW (17T) SPORT. 1973-1984 **ANDREWS**	
	W-14-212	35760-84A	each GEAR, COUNTERSHAFT LOW (17T) SPORT. 1984-1990 **IMPORTED**	
9	A-35787-52	35787-52	each BUSHING, COUNTERSHAFT LOW GEAR, SPORTSTER 1952-1972	
	A-35787-72	35787-72	each BUSHING, COUNTERSHAFT LOW GEAR, SPORTSTER 1972-1985	
10	A-35809-58	35809-58	pk-5 SPACER, COUNTERSHAFT GEAR *4-SPEED* SPORTSTER 1958-1990	
11	A-35818-72	35818-72	pk-5 THRUST WASHERS, COUNTERSHAFT (.020) SPORTSTER 1954-1984	
	A-35819-72	35819-72	pk-5 THRUST WASHERS, COUNTERSHAFT (.030) SPORTSTER 1954-1984	
	A-35820-52	35820-52	pk-5 THRUST WASHERS, COUNTERSHAFT (.050) SPORTSTER 1954-1984	
	A-35821-52	35821-52	pk-5 THRUST WASHERS, COUNTERSHAFT (.055) SPORTSTER 1954-1984	
	A-35821-72	35821-72	pk-5 THRUST WASHERS, COUNTERSHAFT (.040) SPORTSTER 1954-1984	
	A-35824-52	35824-52	pk-5 THRUST WASHERS, COUNTERSHAFT (.060) SPORTSTER 1954-1984	
	A-35825-52	35825-52	pk-5 THRUST WASHERS, COUNTERSHAFT (.065) SPORTSTER 1954-1984	
	A-35828-52	35828-52	pk-5 THRUST WASHERS, COUNTERSHAFT (.070) SPORTSTER 1954-1984	
	A-35829-52	35829-52	pk-5 THRUST WASHERS, COUNTERSHAFT (.075) SPORTSTER 1954-1984	
	A-35830-72	35830-72	pk-5 THRUST WASHERS, COUNTERSHAFT (.080) SPORTSTER 1954-1984	
	12	A-35836-55	35836-55	pk-5 THRUST WASHERS, COUNTERSHAFT (.075) SPORTSTER 1955-1984
		A-35838-55	35838-55	pk-5 THRUST WASHERS, COUNTERSHAFT (.085) SPORTSTER 1955-1984
		A-35839-55	35839-55	pk-5 THRUST WASHERS, COUNTERSHAFT (.100) SPORTSTER 1955-1984
		A-35840-52	35840-52	pk-5 THRUST WASHERS, COUNTERSHAFT (.065) SPORTSTER 1955-1984
A-35840-SET			set-4 THRUST WASHERS, COUNTERSHAFT LOW, SPORTSTER 1955-1984 <b>SET INCLUDES: (1ea) 35836-55, 35838-55, 35839-55, 35840-52</b>	
14	A-35845-84	35845-84	pk-5 THRUST WASHER, COUNTERSHAFT LOW GEAR (.047) SP. 1984-1986	
	A-35846-84	35846-84	pk-5 THRUST WASHER, COUNTERSHAFT LOW GEAR (.056) SP. 1984-1986	
	A-35847-84	35847-84	pk-5 THRUST WASHER, COUNTERSHAFT LOW GEAR (.066) SP. 1984-1986	
	A-35848-84	35848-84	pk-5 THRUST WASHER, COUNTERSHAFT LOW GEAR (.080) SP. 1984-1986	
	A-35848-SET		set-4 THRUST WASHER, COUNTERSHAFT LOW GEAR, SPORT. 1984-1986 <b>SET INCLUDES: (1ea) 35845-84, 35846-84, 35847-84, 35848-84</b>	
15	A-35860-86	35860-86	pk-5 SPACER, COUNTERSHAFT, 4-SPEED (.055) SPORTSTER 1986-1990	
	A-35861-86	35861-86	pk-5 SPACER, COUNTERSHAFT, 4-SPEED (.050) SPORTSTER 1986-1990	
	A-35862-86	35862-86	pk-5 SPACER, COUNTERSHAFT, 4-SPEED (.045) SPORTSTER 1986-1990	
	A-35863-86	35863-86	pk-5 SPACER, COUNTERSHAFT, 4-SPEED (.040) SPORTSTER 1986-1990	
	A-35864-86	35864-86	pk-5 SPACER, COUNTERSHAFT, 4-SPEED (.035) SPORTSTER 1986-1990	
	A-35865-86	35865-86	pk-5 SPACER, COUNTERSHAFT, 4-SPEED (.030) SPORTSTER 1986-1990	
	A-35865-SET		set-6 SPACERS, COUNTERSHAFT, 4-SPEED, SPORTSTER 1986-1990 <b>SET INCLUDES: (1ea) 35860-86, 35861-86, 35862-86, 35863-86, 35864-86, 35865-86</b>	
16	A-35860-92	35860-92	pk-5 SPACER, COUNTERSHAFT, **INSIDE** (.055) SPORTSTER 1984-1990	
	A-35861-92	35861-92	pk-5 SPACER, COUNTERSHAFT, **INSIDE** (.050) SPORTSTER 1984-1990	
	A-35862-92	35862-92	pk-5 SPACER, COUNTERSHAFT, **INSIDE** (.045) SPORTSTER 1984-1990	
	A-35863-92	35863-92	pk-5 SPACER, COUNTERSHAFT, **INSIDE** (.040) SPORTSTER 1984-1990	
	A-35864-92	35864-92	pk-5 SPACER, COUNTERSHAFT, **INSIDE** (.035) SPORTSTER 1984-1990	
	A-35865-92	35865-92	pk-5 SPACER, COUNTERSHAFT, **INSIDE** (.030) SPORTSTER 1984-1990	
	A-35866-92	35866-92	pk-5 SPACER, COUNTERSHAFT, **OUTSIDE** (.055) SPORT. 1984-1990	
	A-35867-92	35867-92	pk-5 SPACER, COUNTERSHAFT, **OUTSIDE** (.050) SPORT. 1984-1990	
	A-35868-92	35868-92	pk-5 SPACER, COUNTERSHAFT, **OUTSIDE** (.045) SPORT. 1984-1990	
	A-35869-92	35869-92	pk-5 SPACER, COUNTERSHAFT, **OUTSIDE** (.040) SPORT. 1984-1990	
	A-35870-92	35870-92	pk-5 SPACER, COUNTERSHAFT, **OUTSIDE** (.035) SPORT. 1984-1990	
	A-35871-92	35871-92	pk-5 SPACER, COUNTERSHAFT, **OUTSIDE** (.030) SPORT. 1984-1990	
	A-35872-SET		set-12 SPACERS, COUNTERSHAFT, **INSIDE & OUTSIDE** SP. 1984-1990 <b>SET INCLUDES (1ea) OF THE ABOVE, INSIDE &amp; OUTSIDE WASHERS</b>	
17	A-35960-54	35960-54	each BEARING, COUNTERSHAFT (CLOSED END) SPORTSTER 1954-1990	
18	A-35961-52	35961-52	each BEARING, MAINSHAFT & COUNTERSHAFT (OPEN END) SP 1954-1990	

# **\*\*EASTERN MOTORCYCLE PARTS\*\***

## **\*\*TRANSMISSION\*\***

**\*\*5-SPEED\*\***

**\*\*SPORTSTER 1991-2005\*\***



**\*\*CONTINUED NEXT PAGE\*\***

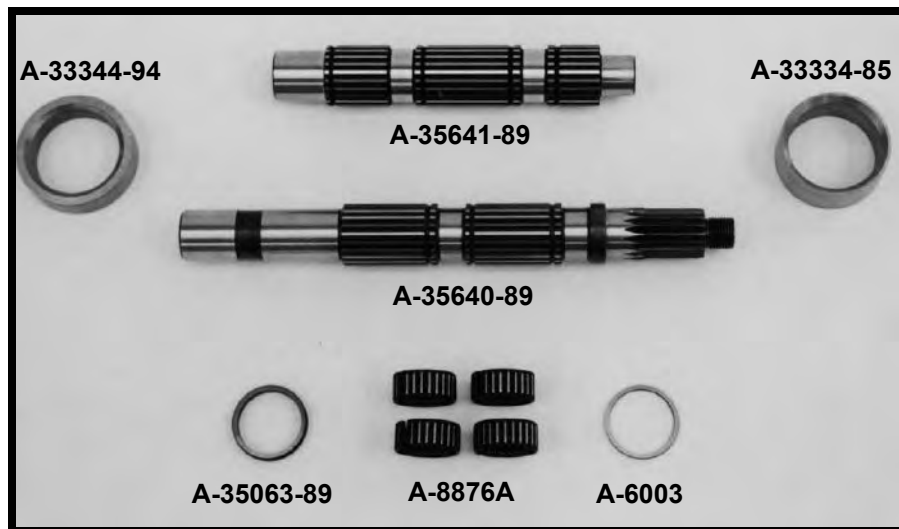
# **\*\*EASTERN MOTORCYCLE PARTS\*\***

## **\*\*TRANSMISSION\*\***

### **\*\*5-SPEED\*\***

### **\*\*SPORTSTER 1991-2005\*\***

<u>DIAGRAM NUMBER</u>	<u>EASTERN NUMBER</u>	<u>REPLACES OEM</u>	<u>DESCRIPTION</u>
1	A-6003	6003	pk-5 THRUST WASHER, M/S & C/SHAFT SPORTSTER 1991-PRESENT
2	A-8876A	8876A	pk-4 BEARING, MAIN / COUNTERSHAFT, SPORTSTER 1991-2005
3	A-8977	8977	each BEARING, CLUTCH SIDE, 5-SPEED, SPORTSTER 1991-2005
4	A-8996	8996	each BEARING, CLUTCH SIDE, 5-SPEED, SPORTSTER 1991-2005
5	A-11067	11067	pk-10 RETAINING RING, M/S & COUNTERSHAFT, SPORTSTER 1991-PRES.
6	A-11161	11161	pk-10 RETAINING RING, MAINSHAFT BEARING, SPORTSTER 1991-PRES
7	A-11165	11165	pk-10 QUAD SEAL, BALL BEARING, SPORTSTER 1991-2005
8	A-12030	12030	pk-5 OIL SEAL, MAIN DRIVE GEAR, SPORTSTER 1991-2005
9	A-12050	12050	pk-5 OIL SEAL, MAINSHAFT, SPORTSTER 1991-1994
10	A-33334-85	33334-85	each SPACER, MAINSHAFT SPROCKET, SPORTSTER 1991-1994
	A-33344-94	33344-94	each SPACER, MAINSHAFT SPROCKET, SPORTSTER 1995-2006
11	A-35020-89	35020-89	pk-5 RETAINER, COUNTERSHAFT **5-SPEED** SPORTSTER 1991-2005
12	A-35022-89A	35022-89A	pk-5 SPACER, COUNTERSHAFT, 4TH GEAR, SPORTSTER 1991-2003
	A-35133-04	35133-04	pk-5 SPACER, COUNTERSHAFT, 4TH GEAR, SPORTSTER 2004-2005
12B	44-0512	35107-06	pk-5 SPACER, COUNTERSHAFT, (2nd GEAR) **5-SPEED** SPORTSTER 2006-P
13	A-35051-89	35051-89	each BEARING, MAIN DRIVE GEAR, SPORTSTER 1991-PRESENT
14	A-35063-89	35063-89	pk-5 SPACER, MAINSHAFT, 4TH GEAR, SPORTSTER 1991-2005
15	A-35211-91	35211-91	each NUT, SPROCKET DRIVE GEAR, SPORTSTER 1991-PRESENT
16	A-35640-89	35640-89	each MAINSHAFT, 5-SPEED, SPORTSTER 1991-2005 <b>**EASTERNS**</b>
	74-0565	35640-89	each MAINSHAFT, 5-SPEED, SPORTSTER 1991-2005 <b>**ANDREWS**</b>
17	A-35641-89	35641-89	each COUNTERSHAFT, 5-SPEED, SPORTSTER 1991-2005 <b>**EASTERNS**</b>
	74-0560	35641-89	each COUNTERSHAFT, 5-SPEED, SPORTSTER 1991-2005 <b>**ANDREWS**</b>
18	A-37495-91	37495-91	each NUT, MAINSHAFT TO CLUTCH HUB, SPORTSTER 1991-PRESENT
19	A-37870-91	37870-91	each SPRING WASHER, CLUTCH HUB & MAINSHAFT, SPORTSTER 1991-P.
20	42-0140	40205-95	each SPROCKET, BELT DRIVE <b>**29-TOOTH**</b> SPORTSTER 1991-2003
21	A-40251-92	40251-92	each LOCK PLATE, SPROCKET, SPORTSTER 1992-PRESENT
22	42-0142	40379-04	each SPROCKET, BELT DRIVE <b>**28-TOOTH**</b> SPORTSTER 2004-2013
	A-33354-08	33354-08	each SPACER, MAIN DRIVE GEAR, W/O-RING, SPORTSTER 2008-PRES.



**\*\*MAINSHAFT AND COUNTERSHAFT ARE MANUFACTURED BY EASTERN\*\***

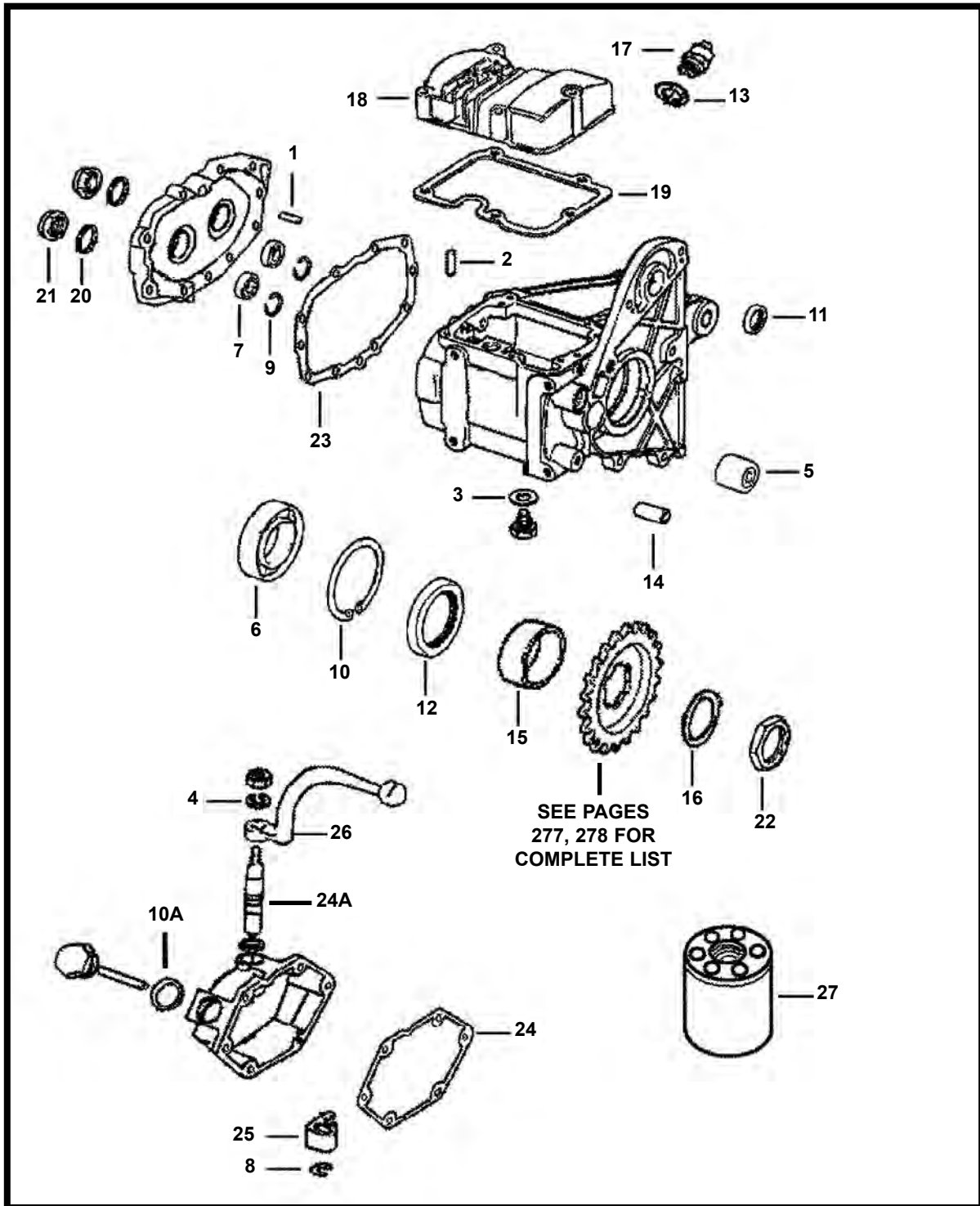
**\*5120 HILDA ROAD\* BLACKVILLE, S.C. 29817\* 803-284-3304\***

# \*\*EASTERN MOTORCYCLE PARTS\*\*

## \*\*TRANSMISSION\*\*

### \*\*HOUSING\*\*

\*\*BIG TWIN 1979-E/1984\*\*



\*\*CONTINUED NEXT PAGE\*\*



# **\*\*EASTERN MOTORCYCLE PARTS\*\***

## **\*\*TRANSMISSION\*\***

### **\*\*HOUSING\*\***

#### **\*\*BIG TWIN 1979-E/1984\*\***

<u>DIAGRAM NUMBER</u>	<u>EASTERN NUMBER</u>	<u>REPLACES OEM</u>		<u>DESCRIPTION</u>
1	A-375	375	pk-10	DOWEL PINS, TRANSMISSION CASE **.308 x .690 LONG** B/T-SPORT
2	A-609	609	pk-25	ROLL PINS **.375 X 5/16" LONG** BIG TWIN 1980-2006
3	A-6007	6007	pk-10	NYLON WASHER **.5/8 X 15/16 X 3/32 THICK** BIG TWIN 1987-1994
4	36-0214	7041	pk-100	LOCK WASHERS, REGULAR 5/16, <b>**ZINC PLATED**</b>
5	A-8977	8977	each	BEARING, COUNTERSHAFT CLUTCH SIDE, BIG TWIN 1980-PRESENT
6	A-8978	8978	each	BEARING, MAINSHAFT CLUTCH SIDE, BIG TWIN 1980-1984
7	A-8998	8998	each	BEARING, RIGHT SIDE HOUSING, BIG TWIN 1980-1999
8	A-11019	11019	pk-10	RETAINING RING, CLUTCH LEVER & DETENT PLATE, B/T 1980-1986
9	A-11020	11020	pk-10	RETAINING RING, BEARING HOUSING, BIG TWIN 1980-1993
10	A-11057	11057	pk-10	RETAINING RING, MAINSHAFT BALL BEARING, BIG TWIN 1980-1984
10A	A-11178	11178	pk-10	O-RING, OIL FILLER PLUG, BIG TWIN 1987-1992
11	A-12043	12043	pk-10	OIL SEAL, STARTER SHAFT TO TRANSMISSION, BIG TWIN 1980-1984
12	A-12044	12044A	pk-10	OIL SEAL, MAINSHAFT CLUTCH SIDE, BIG TWIN 1980-1984
13	A-33043-80	33043-80	pk-10	WASHER, NEUTRAL SWITCH <b>**NYLON**</b> BIG TWIN 1980-1997
14	A-33114-79	33114-79	pk-5	SPACER TO PRIMARY COVER, BIG TWIN 1980-PRESENT
15	A-33334-79	33334-79	each	SPACER, SPROCKET, BIG TWIN 1979-E/1984
16	A-33335-79	33335-79	pk-10	LOCK TAB, TRANSMISSION SPROCKET, BIG TWIN 1980-1983
17	A-33900-59	33900-59	each	NEUTRAL SWITCH, INDICATOR LIGHT, BIG TWIN 1959-1986
18	A-34466-82	34462-79A	each	TOP COVER, <b>**CHROME**</b> BIG TWIN 1980-1986
19	L-3-898	34904-79	pk-10	GASKETS, UPPER COVER, BIG TWIN 1980-1985
20	A-35076-79	35076-79	pk-10	SPACER, BEARING HOUSING, BIG TWIN 1980-2006
21	A-35078-79	35078-79	pk-5	NUT, MAINSHAFT & COUNTERSHAFT, BIG TWIN 1980-PRESENT
22	A-35211-36	35211-36	each	NUT, SPROCKET TO DRIVE GEAR, BIG TWIN 1936-1984
23	L-3-899	35652-79A	pk-10	GASKETS, BEARING HOUSING, BIG TWIN 1980-1998
24	L-3-897	36801-79	pk-10	GASKETS, RIGHT SIDE COVER, BIG TWIN 1980-1986
24A	A-37083-80A	37083-80A	each	SHAFT, CLUTCH RELEASE FINGER, <b>**5-SPEED**</b> BIG TWIN 1982-1986
25	A-37084-79	37084-79	each	RELEASE FINGER, BIG TWIN 1980-1986
26	J-1-175	37096-83	each	CLUTCH RELEASE LEVER, <b>**CHROME**</b> BIG TWIN 1980-1986
27	A-63805-80	63805-80	each	OIL FILTER, MEDIUM FILTER <b>**BLACK**</b> BIG TWIN 1980-1992
	A-63806-83B	63806-83	each	OIL FILTER, LOW RESTRICTION <b>**BLACK**</b> BIG TWIN 1980-1986
	A-63806-83C	63806-83	each	OIL FILTER, LOW RESTRICTION <b>**CHROME**</b> BIG TWIN 1980-1986
	A-63810-80B	63810-80	each	OIL FILTER, SHORT FILTER <b>**BLACK**</b> BIG TWIN 1982-1986
	A-63810-80C	63782-80	each	OIL FILTER, SHORT FILTER <b>**CHROME**</b> BIG TWIN 1982-1986

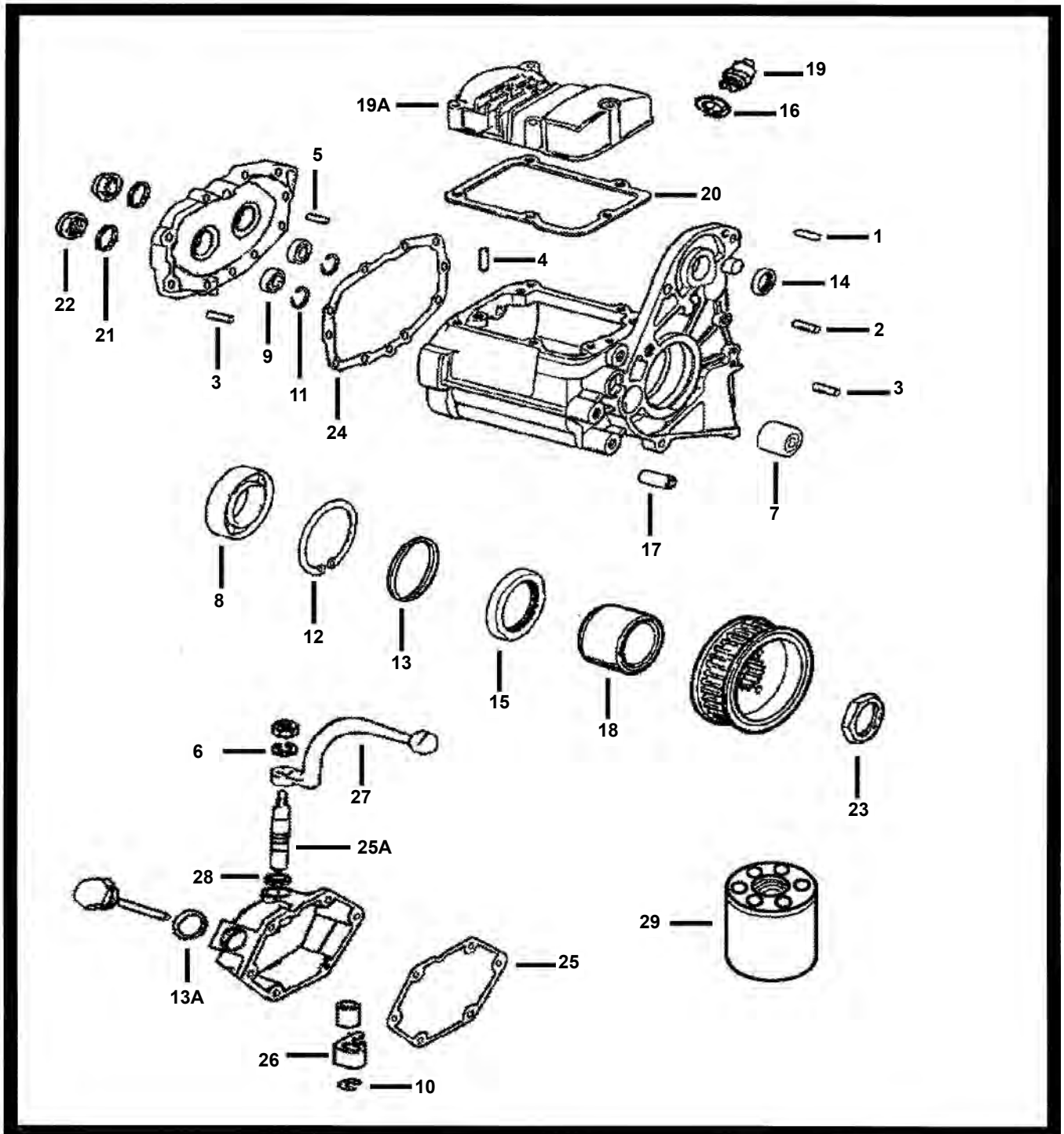
**\*\*SEE PAGE 277, 278 FOR COMPLETE LIST OF SPROCKETS\*\***

# \*\*EASTERN MOTORCYCLE PARTS\*\*

## \*\*TRANSMISSION\*\*

### \*\*HOUSING\*\*

\*\*BIG TWIN 1984-1986\*\*



\*\*CONTINUED NEXT PAGE\*\*

# **\*\*EASTERN MOTORCYCLE PARTS\*\***

## **\*\*TRANSMISSION\*\***

### **\*\*HOUSING\*\***

#### **\*\*BIG TWIN 1984-1986\*\***

<u>DIAGRAM NUMBER</u>	<u>EASTERN NUMBER</u>	<u>REPLACES OEM</u>	<u>DESCRIPTION</u>
1	A-335	335	pk-10 DOWEL PINS **5/16 X .570 LONG** BIG TWIN-SPORTSTER
2	A-336	336	pk-5 DOWEL PINS, TRANSMISSION CASE, BIG TWIN-SPORTSTER
3	A-375	375	pk-10 DOWEL PINS, TRANSMISSION CASE ** .308 x .690 LONG** B/T-SPORT
4	A-609	609	pk-25 ROLL PINS **3/8 X 5/16" LONG** BIG TWIN 1980-2006
5	A-634	634	pk-25 ROLL PINS **.325 X 3/4" LONG** BIG TWIN-SPORTSTER
6	36-0214	7041	pk-100 LOCK WASHERS, REGULAR 5/16, <b>**ZINC PLATED**</b>
7	A-8977	8977	each BEARING, COUNTERSHAFT CLUTCH SIDE, BIG TWIN 1980-PRESENT
8	A-8996	8996	each BEARING, MAINSHAFT CLUTCH SIDE, BIG TWIN 1984-2006
9	A-8998	8998	each BEARING, RIGHT SIDE HOUSING, BIG TWIN 1980-1999
10	A-11019	11019	pk-10 RETAINING RING, CLUTCH LEVER & DETENT PLATE, B/T 1980-1986
11	A-11020	11020	pk-10 RETAINING RING, BEARING HOUSING, BIG TWIN 1980-1993
12	A-11161	11161	pk-10 RETAINING RING, M/SHAFT BALL BEARING, BIG TWIN 1984-PRES.
13	A-11165	11165	pk-10 QUAD SEAL, BALL BEARING, BIG TWIN 1984-2006
13A	A-11178	11178	pk-10 O-RING, OIL FILLER PLUG, BIG TWIN 1987-1992
14	A-12051	12051	pk-5 OIL SEAL, STARTER SHAFT, <b>**5-SPEED**</b> BIG TWIN 1984-1990
15	A-12050	12050	pk-5 OIL SEAL, STARTER SHAFT, <b>**5-SPEED**</b> BIG TWIN 1984-1994
16	A-33043-80	33043-80	pk-10 WASHER, NEUTRAL SWITCH <b>**NYLON**</b> BIG TWIN 1980-1997
17	A-33114-79	33114-79	pk-5 SPACER TO PRIMARY COVER <b>**5-SPEED**</b> BIG TWIN 1980-PRES.
18	A-33334-85	33334-85	each SPACER, SPROCKET <b>**5-SPEED**</b> BIG TWIN 1984-1994
19	A-33900-59	33900-59	each NEUTRAL SWITCH, INDICATOR LIGHT, BIG TWIN 1959-1986
19A	A-34466-82	34462-79A	each TOP COVER, (5-SPEED) <b>**CHROME**</b> BIG TWIN 1980-1986
20	L-3-901	34904-86	pk-10 GASKET, UPPER TRANSMISSION COVER, BIG TWIN 1986-PRESENT
21	A-35076-79	35076-79	pk-10 SPACER, BEARING HOUSING, BIG TWIN 1980-2006
22	A-35078-79	35078-79	pk-5 NUT, MAINSHAFT & COUNTERSHAFT, BIG TWIN 1980-PRESENT
23	A-35211-36	35211-36	each NUT, SPROCKET TO DRIVE GEAR, BIG TWIN 1936-1984
24	L-3-899	35652-79A	pk-10 GASKETS, BEARING HOUSING <b>**5-SPEED**</b> BIG TWIN 1980-1998
25	L-3-897	36801-79	pk-10 GASKETS, RIGHT SIDE COVER, BIG TWIN 1980-1986
25A	A-37083-80A	37083-80A	each SHAFT, CLUTCH RELEASE FINGER, <b>**5-SPEED**</b> BIG TWIN 1982-1986
26	A-37084-79	37084-79	each RELEASE FINGER, <b>**5-SPEED**</b> BIG TWIN 1980-1986
27	J-1-175	37096-85	each CLUTCH RELEASE LEVER, <b>**CHROME**</b> BIG TWIN 1980-1986
28	A-37101-84	37101-84	pk-5 OIL SEAL, SHIFTER SHAFT LEVER, BIG TWIN 1984-1986
29	A-63796-77	63796-77	each OIL FILTER, MEDIUM FILTER <b>**CHROME**</b> BIG TWIN 1980-1999
	A-63805-80	63805-80	each OIL FILTER, MEDIUM FILTER <b>**BLACK**</b> BIG TWIN 1980-1992
	A-63806-83B	63806-83	each OIL FILTER, LOW RESTRICTION <b>**BLACK**</b> BIG TWIN 1980-1986
	A-63806-83C	63806-83	each OIL FILTER, LOW RESTRICTION <b>**CHROME**</b> BIG TWIN 1980-1986
	A-63810-80B	63810-80	each OIL FILTER, SHORT FILTER <b>**BLACK**</b> BIG TWIN 1982-1986
	A-63810-80C	63782-80	each OIL FILTER, SHORT FILTER <b>**CHROME**</b> BIG TWIN 1982-1986

#### **\*\*PARTS THAT ARE NOT SHOWN IN DRAWING\*\***

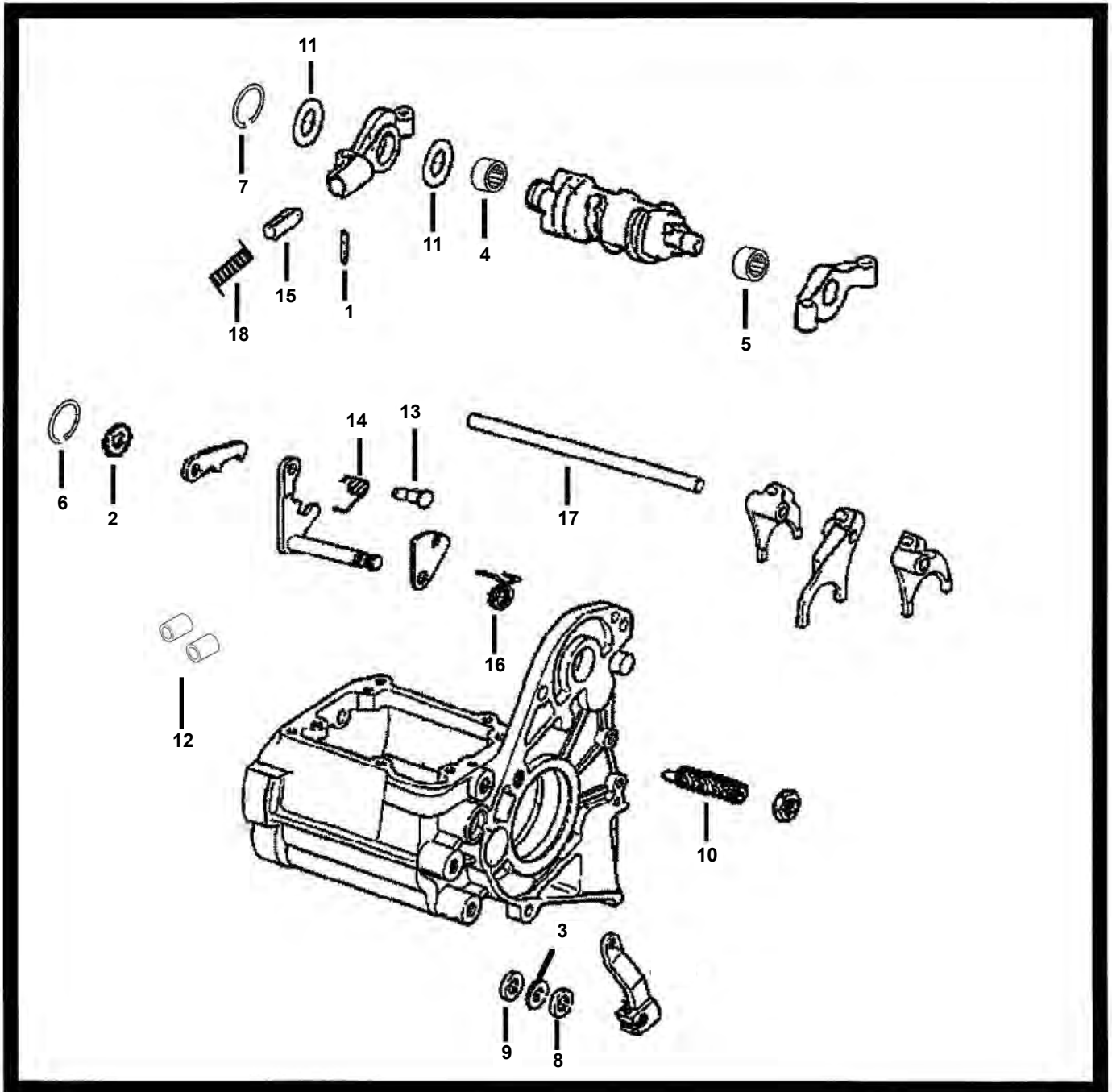
A-6007	6007	pk-10	NYLON WASHER **5/8 X 15/16 X 3/32 THICK** BIG TWIN 1987-PRES.
A-8873	8873	pk-25	BALL BEARING, INNER & OUTER CLUTCH RAMP
A-10998	10998	pk-10	RETAINING RING, CLUTCH RAMP <b>**5-SPEED**</b> BIG TWIN 1987-PRES.
A-11179	11179	pk-10	O-RING, CLUTCH CABLE, BIG TWIN 1987-PRESENT
L-3-900	36801-87A	pk-10	GASKETS, RIGHT SIDE COVER <b>**5-SPEED**</b> BIG TWIN 1987-PRES.

# **\*\*EASTERN MOTORCYCLE PARTS\*\***

## **\*\*TRANSMISSION\*\***

## **\*\*GEAR SHIFTER\*\***

## **\*\*BIG TWIN 1984-1990\*\***



**\*\*CONTINUED NEXT PAGE\*\***

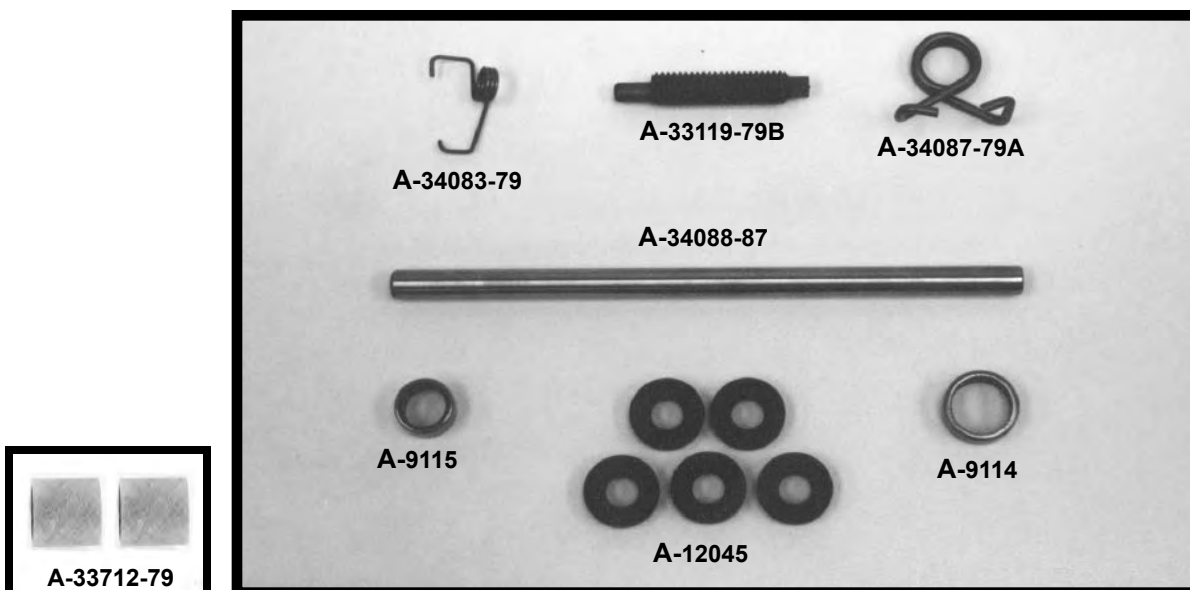
# **\*\*EASTERN MOTORCYCLE PARTS\*\***

## **\*\*TRANSMISSION\*\***

## **\*\*GEAR SHIFTER\*\***

## **\*\*BIG TWIN 1984-1990\*\***

<u>DIAGRAM NUMBER</u>	<u>EASTERN NUMBER</u>	<u>REPLACES OEM</u>	<u>DESCRIPTION</u>
1	A-601	601	pk-25 ROLL PINS **1/8 X 3/4" LONG**
2	A-6016	6016	pk-25 WASHERS **11/32 X 11/16 X 1/16 THICK** (ZINC PLATED)
3	A-6497HW	6497HW	pk-25 WASHERS **7/16 X 1-1/8 X 3/64 THICK** (ZINC PLATED)
4	A-9114	9114	each BEARING, RIGHT CAM SUPPORT, BIG TWIN 1980-1986
5	A-9115	9115	each BEARING, LEFT CAM SUPPORT, BIG TWIN 1980-1986
6	A-11016	11016	pk-10 RETAINING RING, SHIFTER LEVER PIN BIG TWIN 1980-2001
7	A-11083	11083	pk-10 RETAINING RING, SHIFTER CAM, BIG TWIN 1980-PRESENT
8	A-11150	11150	pk-10 RETAINING RING, SHIFTER ROD LEVER, BIG TWIN 1984-PRESENT
9	A-12045	12045	pk-5 OIL SEAL, SHIFTER SHAFT LEVER, BIG TWIN 1980-2006
10	A-33119-79B	33119-79B	each ADJUSTING SCREW, SHIFTER ARM, BIG TWIN 1980-2000
11	A-33205-80	33205-80	pk-5 THRUST WASHER, SHIFTER CAM **.017 THICK** BIG TWIN 1980-2002
	A-33206-80	33206-80	pk-5 THRUST WASHER, SHIFTER CAM **.020 THICK** BIG TWIN 1980-2002
	A-33207-80	33207-80	pk-5 THRUST WASHER, SHIFTER CAM **.022 THICK** BIG TWIN 1980-2002
	A-33208-80	33208-80	pk-5 THRUST WASHER, SHIFTER CAM **.025 THICK** BIG TWIN 1980-2002
	A-33209-80	33209-80	pk-5 THRUST WASHER, SHIFTER CAM **.028 THICK** BIG TWIN 1980-2002
	A-33210-80	33210-80	pk-5 THRUST WASHER, SHIFTER CAM **.031 THICK** BIG TWIN 1980-2002
	A-33211-80	33211-80	pk-5 THRUST WASHER, SHIFTER CAM **.035 THICK** BIG TWIN 1980-2002
	A-33212-80	33212-80	pk-5 THRUST WASHER, SHIFTER CAM **.040 THICK** BIG TWIN 1980-2002
	A-33212-SET		set-8 THRUST WASHER SET, SHIFTER CAM **.017-.040** BIG TWIN 1980-02
12	A-33712-79	33712-79	pair BUSHINGS, SHIFTER BRACKET, BIG TWIN 1979-1985
13	A-34082-79	34082-79	pk-5 PIN, SHIFTER SHAFT LEVER **5-SPEED** BIG TWIN 1980-PRESENT
14	A-34083-79	34083-79	pk-10 SPRINGS, SHIFTER SHAFT LEVER, BIG TWIN 1980-PRESENT
15	A-34085-79A	34085-79A	each CAM FOLLOWER, BIG TWIN 1980-2000
16	A-34087-79A	34087-79A	pk-10 SPRINGS, SHIFTER SHAFT, BIG TWIN 1980-PRESENT
17	A-34088-79	34088-79	each SHAFT, SHIFTER FORKS, BIG TWIN 1980-1986
	A-34088-87	34088-87	each SHAFT, SHIFTER FORKS, BIG TWIN 1987-2006
18	A-34089-79	34089-79	pk-10 SPRINGS, CAM FOLLOWER, BIG TWIN 1980-2000

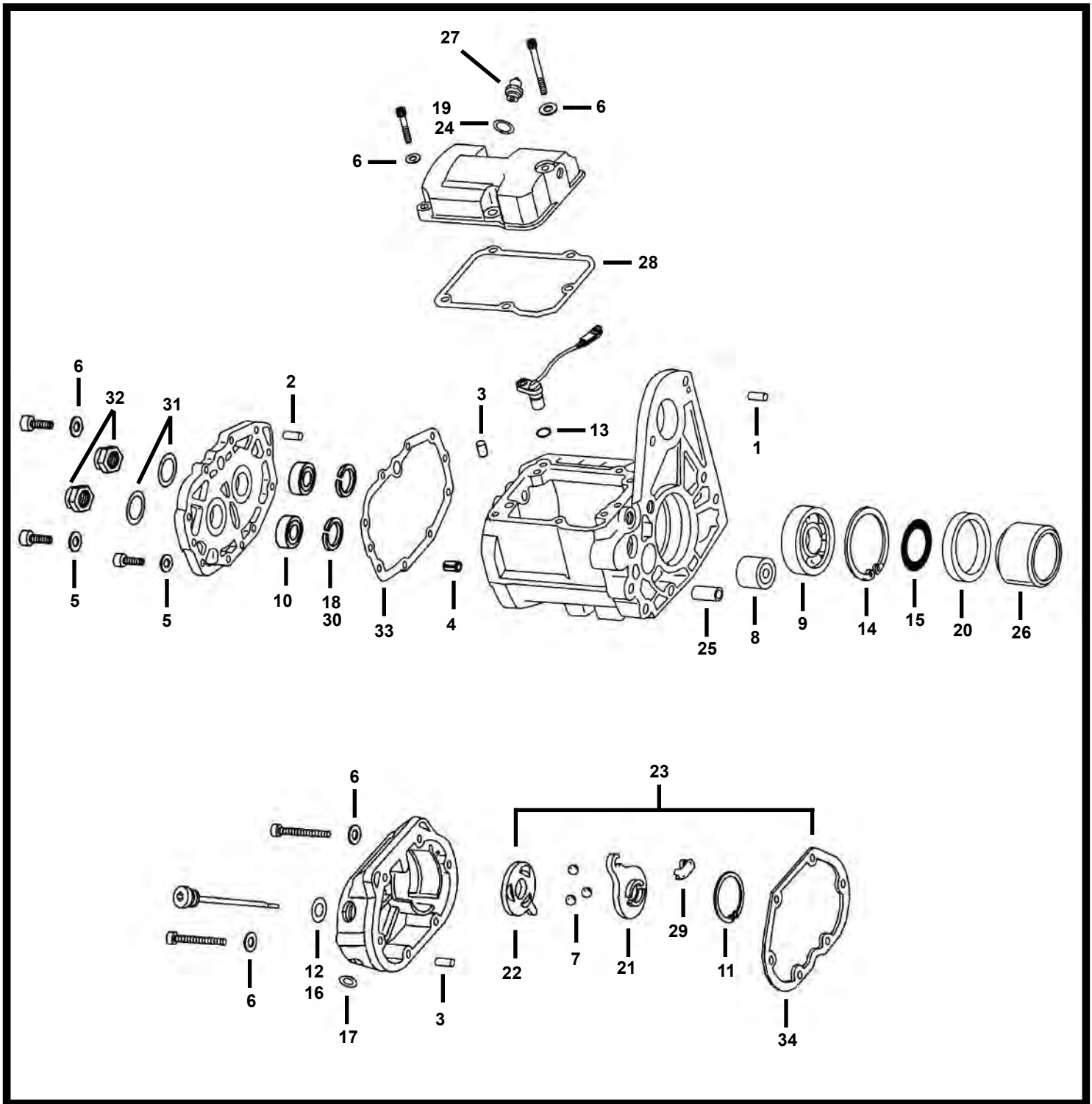


# \*\*EASTERN MOTORCYCLE PARTS\*\*

## \*\*TRANSMISSION\*\*

### \*\*HOUSING\*\*

\*\*BIG TWIN 1987-1998\*\*



\*\*CONTINUED NEXT PAGE\*\*

# **\*\*EASTERN MOTORCYCLE PARTS\*\***

## **\*\*TRANSMISSION\*\***

### **\*\*HOUSING\*\***

#### **\*\*BIG TWIN 1987-1998\*\***

<b>DIAGRAM NUMBER</b>	<b>EASTERN NUMBER</b>	<b>REPLACES OEM</b>	<b>DESCRIPTION</b>
1	A-337	337	pk-10 DOWEL PINS, **.312 X 1.001 LONG**
2	A-375	375	pk-25 DOWEL PINS, **.308 X .690 LONG**
3	A-609	609	pk-25 ROLL PINS, **.312 X 5/16** BIG TWIN 1980-2006
4	A-634	634	pk-25 ROLL PINS, **.325 X 4/4 LONG** (ZINC PLATED)
5	A-6016	6016	pk-25 WASHERS, **.11/32 X 11/16 X 1/16 THICK** (ZINC PLATED)
6	A-6099	6099	pk-25 WASHERS, **.11/4 X 7/16 X 1/16 THICK** (ZINC PLATED)
7	A-8873	8873	pk-25 BALL BEARING, CLUTCH RAMP, BIG TWIN 1987-1998
8	A-8977	8977	each BEARING, TRANSMISSION HOUSING, BIG TWIN 1980-PRESENT
9	A-8996	8996	each BEARING, MAINSHAFT, LEFT SIDE, BIG TWIN 1984-2006
10	A-8998	8998	each BEARING, HOUSING, RIGHT SIDE, BIG TWIN 1980-1999
11	A-10998	10998	pk-10 RETAINING RING, CLUTCH RAMP, BIG TWIN 1987-PRESENT
12	A-11132	11132	pk-10 O-RING, FILLER PLUG, BIG TWIN 1993-PRESENT
13	A-11140	11140	pk-10 O-RING, SPEEDOMETER SENSOR, BIG TWIN 1987-PRESENT
14	A-11161	11161	pk-5 RETAINING RING, MAINSHAFT BALL BEARING, BIG TWIN 1984-PRES.
15	A-11165	11165	pk-10 QUAD SEAL, BALL BEARING, BIG TWIN 1984-2006
16	A-11178	11178	pk-10 O-RING, FILLER PLUG, BIG TWIN 1987-1992
17	A-11179	11179	pk-10 O-RING, CLUTCH CABLE, BIG TWIN 1987-PRESENT
18	A-11020	11020	pk-10 RETAINING RING, BEARING HOUSING, BIG TWIN 1980-1993
19	A-11290	11290	pk-10 O-RING, NEUTRAL INDICATOR SWITCH, BIG TWIN 1998-PRESENT
20	A-12050	12050	pk-5 OIL SEAL, MAINSHAFT LEFT SIDE, BIG TWIN 1984-1994
	A-12067A	12067A	pk-5 OIL SEAL, MAINSHAFT LEFT SIDE, BIG TWIN 1994-2006
21	A-25452-87A	25452-87A	each CLUTCH RAMP <b>**INNER**</b> BIG TWIN 1987-PRESENT
22	A-25453-87A	25453-87A	each CLUTCH RAMP <b>**OUTER**</b> BIG TWIN 1987-PRESENT
23	A-25453-KIT		kit-8 CLUTCH RAMP KIT, BIG TWIN 1987-PRESENT, <b>KIT INCLUDES: (3) 8873, (1) 10998, (1) 25452-87A, (1) 25453-87A, (1) 34920-86, (1) 36801-87A</b>
24	A-33043-80	33043-80	pk-10 WASHER, INDICATOR SWITCH, BIG TWIN 1980-1997
25	A-33114-79	33114-79	pk-5 SPACER, BIG TWIN 1980-2000
26	A-33334-85	33334-85	each SPACER, SPROCKET, BIG TWIN 1984-1994
	A-33344-94	33344-94	each SPACER, SPROCKET, BIG TWIN 1995-2005
27	A-33900-59	33900-59	each SWITCH, NEUTRAL INDICATOR LIGHT, BIG TWIN 1987-1998
	A-33902-98	33902-98	each SWITCH, NEUTRAL INDICATOR LIGHT, BIG TWIN 1998-PRESENT
28	L-3-901	34904-86	pk-10 GASKET, UPPER COVER, BIG TWIN 1986-PRESENT
29	A-34920-86	34920-86	each COUPLING, CLUTCH CABLE, BIG TWIN 1987-PRESENT
30	A-35021-89	35021-89	pk-10 RETAINING RING, BEARING HOUSING, BIG TWIN 1980-1993
31	A-35076-79	35076-79	pk-10 SPACER BEARING HOUSING, BIG TWIN 1980-2006
32	A-35078-79	35078-78	pk-5 NUTS, MAINSHAFT & COUNTERSHAFT, BIG TWIN 1980-PRESENT
33	L-3-899	35652-79	pk-10 GASKETS, BEARING HOUSING, BIG TWIN 1980-1998
34	L-3-900	36801-87A	pk-10 GASKETS, RIGHT SIDE COVER, BIG TWIN 1987-1998

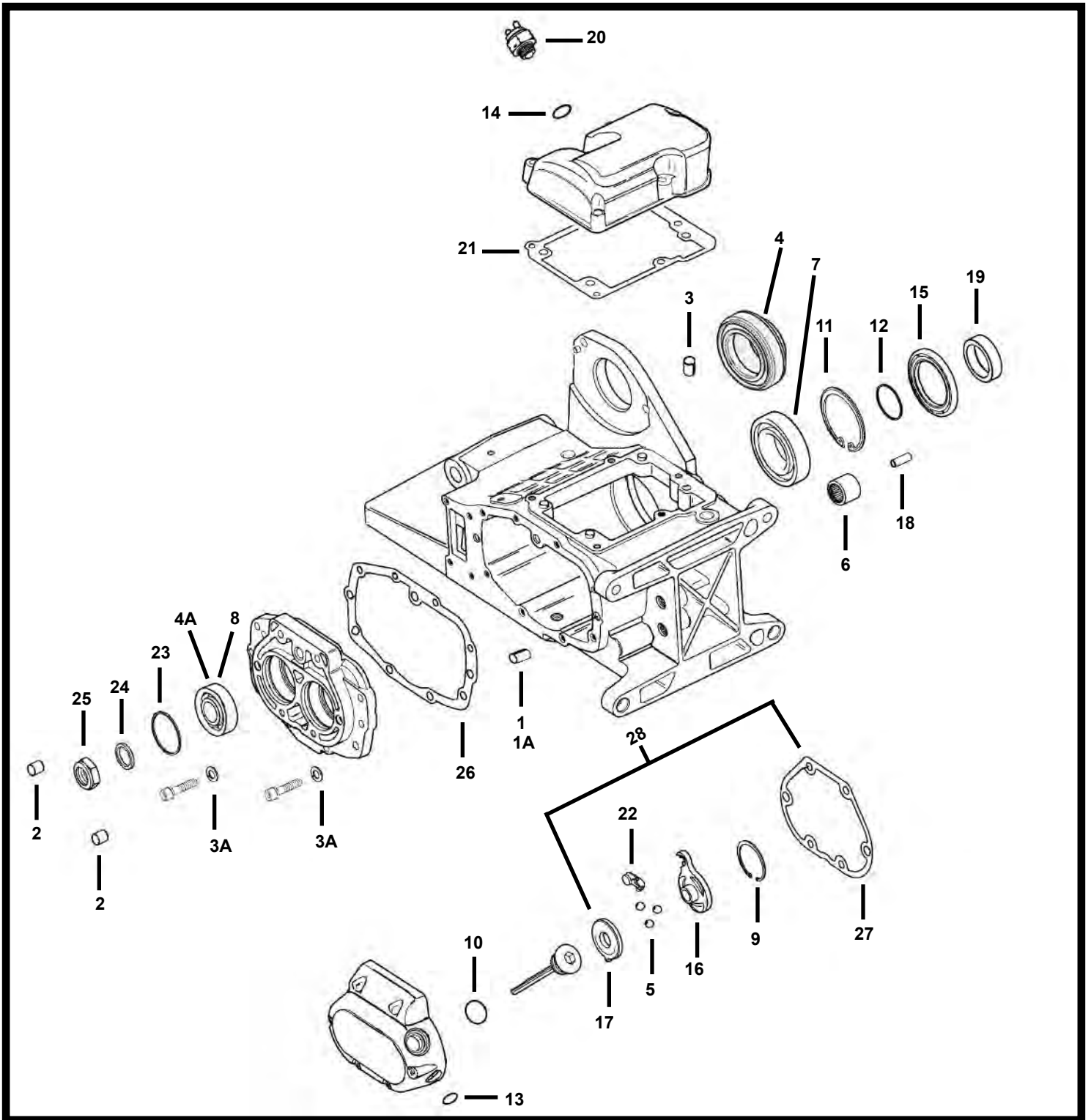


# \*\*EASTERN MOTORCYCLE PARTS\*\*

## \*\*TRANSMISSION\*\*

### \*\*HOUSING\*\*

#### \*\*BIG TWIN 1999-PRESENT\*\*



**\*\*CONTINUED NEXT PAGE\*\***

**\*5120 HILDA ROAD\* BLACKVILLE, S.C. 29817\* 803-284-3304\***

**\*Pg 230\***



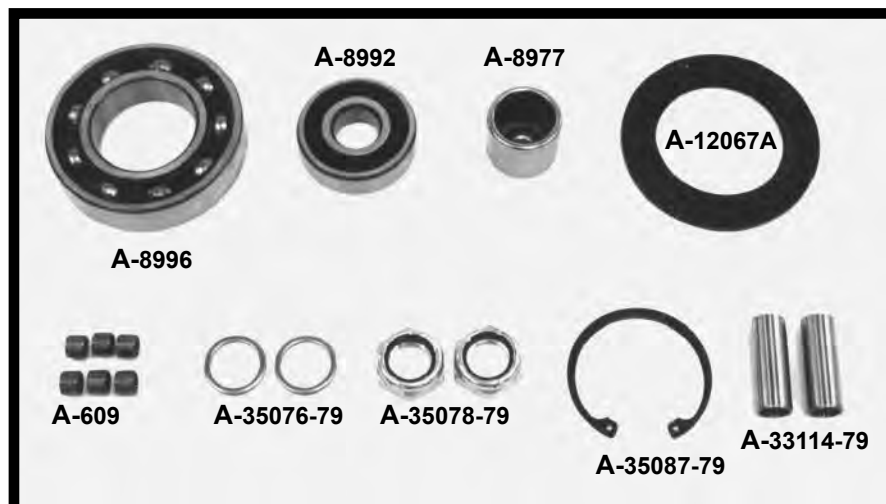
# \*\*EASTERN MOTORCYCLE PARTS\*\*

## \*\*TRANSMISSION\*\*

### \*\*HOUSING\*\*

#### \*\*BIG TWIN 1999-PRESENT\*\*

<u>DIAGRAM NUMBER</u>	<u>EASTERN NUMBER</u>	<u>REPLACES OEM</u>	<u>DESCRIPTION</u>
1	A-375	375	pk-25 DOWEL PINS, **.308 X .690 LONG**
1A	* V-13-244	9701A	each BUSHING, FOR BEARING HOUSING **6-SPEED** BIG TWIN 2006-PRES.
2	A-609	609	pk-25 ROLL PINS, **.325 X 5/16** BIG TWIN 1980-2006
3	A-634	634	pk-25 ROLL PINS, **.325 X 4/4 LONG** (ZINC PLATED)
3A	A-6016	6016	pk-25 WASHERS, **.11/32 X 11/16 X 1/16 THICK** (ZINC PLATED)
4	* 44-0520	8967A	each BEARING, CLUTCH SIDE **6-SPEED** BIG TWIN 2006-PRESENT
4A	A-8970	8970	each BEARING, RIGHT SIDE COUNTERSHAFT BIG TWIN 2006-P., SP. 2006-P.
5	A-8873	8873	pk-25 BALL BEARING, CLUTCH RAMP, BIG TWIN 1987-1998
6	A-8977	8977	each BEARING, TRANSMISSION HOUSING, BIG TWIN 1980-PRESENT
	40-0325	8963	each BEARING, CLUTCH SIDE (NEEDLE) BIG TWIN 2006-PRESENT
7	A-8996	8996	each BEARING, MAINSHAFT, LEFT SIDE, BIG TWIN 1984-2006
8	A-8992A	8992A	each BEARING, FOR BEARING HOUSING, BIG TWIN 1999-2006
9	A-10998	10998	pk-10 RETAINING RING, CLUTCH RAMP, BIG TWIN 1987-PRESENT
10	A-11132	11132	pk-10 O-RING, FILLER PLUG, BIG TWIN 1993-PRESENT
11	A-11161	11161	pk-5 RETAINING RING, MAINSHAFT BALL BEARING, BIG TWIN 1984-PRES.
12	A-11165	11165	pk-10 QUAD SEAL, BALL BEARING, BIG TWIN 1984-PRESENT
13	A-11179	11179	pk-10 O-RING, CLUTCH CABLE, BIG TWIN 1987-PRESENT
14	A-11290	11290	pk-10 O-RING, NEUTRAL INDICATOR SWITCH, BIG TWIN 1998-PRESENT
15	A-12067A	12067A	pk-5 OIL SEAL, MAINSHAFT LEFT SIDE, BIG TWIN 1994-2006
16	A-25452-87A	25452-87A	each CLUTCH RAMP **INNER** BIG TWIN 1987-PRESENT
17	A-25453-87A	25453-87A	each CLUTCH RAMP **OUTER** BIG TWIN 1987-PRESENT
18	A-33114-79	33114-79	pk-5 SPACER, BIG TWIN 1980-2000
19	A-33344-94	33344-94	each SPACER, SPROCKET, BIG TWIN 1995-2005
20	A-33902-98	33902-98	each SWITCH, NEUTRAL INDICATOR LIGHT, BIG TWIN 1998-PRESENT
	A-33904-00	33904-00	each SWITCH, NEUTRAL INDICATOR LIGHT, BIG TWIN 2000-2006
21	L-3-901	34904-86	pk-10 GASKET, UPPER COVER, BIG TWIN 1986-PRESENT
22	A-34920-86	34920-86	each COUPLING, CLUTCH CABLE, BIG TWIN 1987-PRESENT
23	A-35087-99A	35087-99A	pk-10 RETAINING RING, ACCESS DOOR, BIG TWIN 1999-PRESENT
24	A-35076-79	35076-79	pk-10 SPACER BEARING HOUSING, BIG TWIN 1980-2006
25	A-35078-79	35078-78	pk-5 NUTS, MAINSHAFT & COUNTERSHAFT, BIG TWIN 1980-PRESENT
26	47-0654	35653-98	pk-10 GASKETS, BEARING HOUSING, BIG TWIN 1999-2006
27	L-3-900	36801-87A	pk-10 GASKETS, RIGHT SIDE COVER, BIG TWIN 1987-1998
28	A-25453-KIT		kit-8 CLUTCH RAMP KIT, BIG TWIN 1987-PRESENT, <b>KIT INCLUDES: (3) 8873, (1) 10998, (1) 25452-87A, (1) 25453-87A, (1) 34920-86, (1) 36801-87A</b>

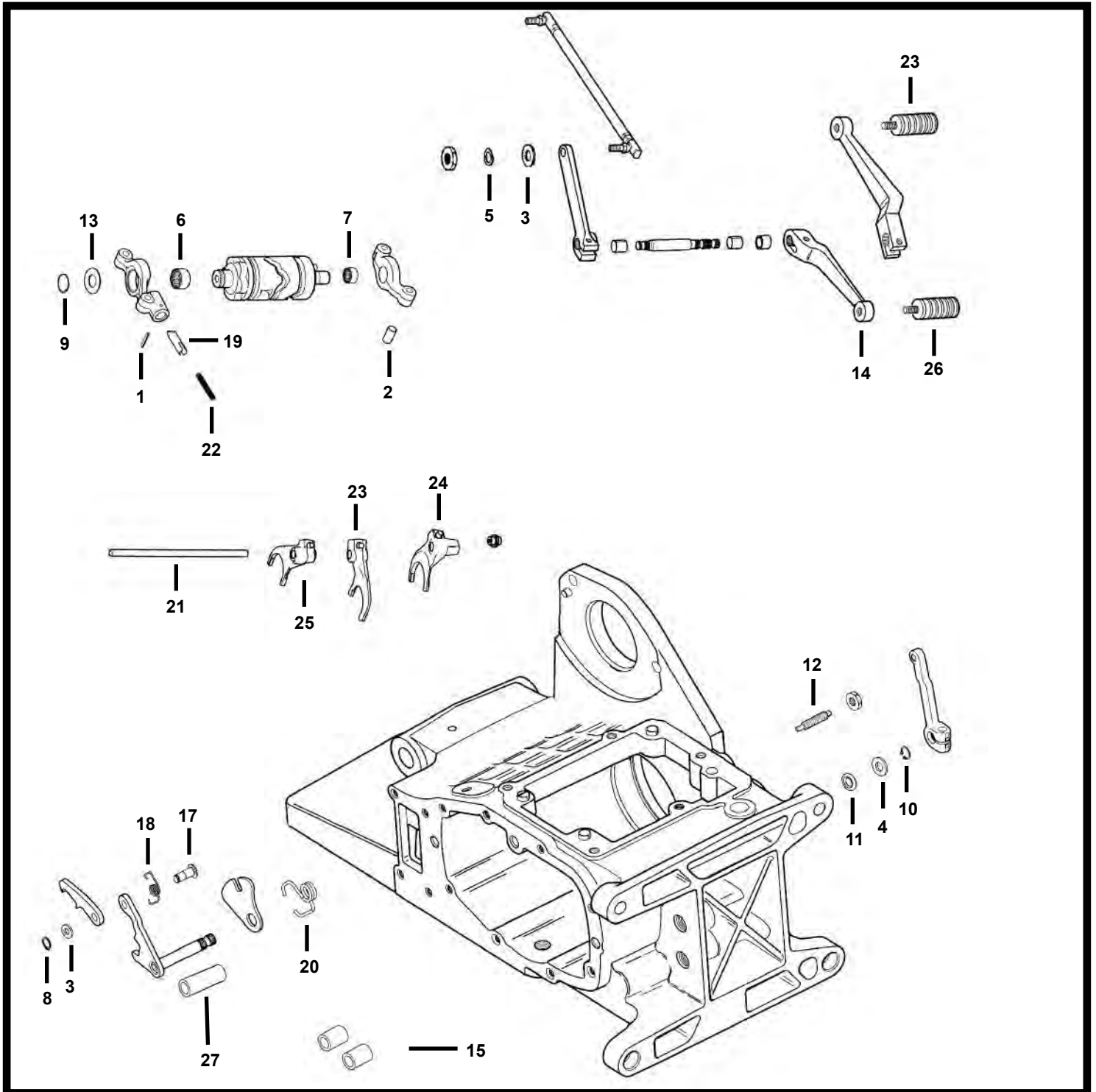


# **\*\*EASTERN MOTORCYCLE PARTS\*\***

## **\*\*TRANSMISSION\*\***

## **\*\*GEAR SHIFTER\*\***

## **\*\*BIG TWIN 1999-2000\*\***



**\*\*CONTINUED NEXT PAGE\*\***

**\*5120 HILDA ROAD\* BLACKVILLE, S.C. 29817\* 803-284-3304\***

**\*Pg 232\***

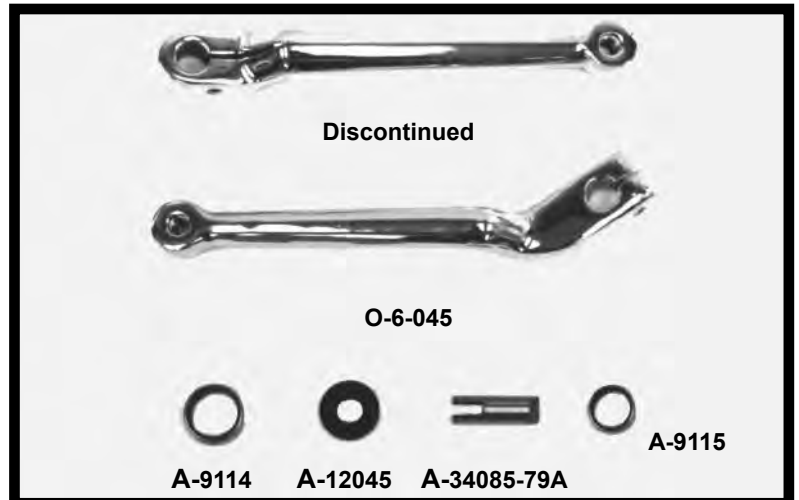
# \*\*EASTERN MOTORCYCLE PARTS\*\*

## \*\*TRANSMISSION\*\*

## \*\*GEAR SHIFTER\*\*

## \*\*BIG TWIN 1999-2000\*\*

DIAGRAM NUMBER	EASTERN NUMBER	REPLACES OEM	DESCRIPTION
1	A-601	601	pk-25 ROLL PINS, **1/8 X 3/4** (ZINC PLATED)
2	A-609	609	pk-25 ROLL PINS, **3/8 X 5/16** BIG TWIN 1980-2006
3	A-6016	6016	pk-25 WASHER **11/32 X 11/16 X 1/16" THICK** (ZINC PLATED)
4	A-6497HW	6497HW	pk-25 WASHER **7/16 X 1-1/8 X 3/64" THICK** (ZINC PLATED)
5	36-0214	7041	pk-100 LOCK WASHER **REGULAR 5/16** (ZINC PLATED)
6	A-9114	9114	each BEARING, RIGHT CAM SUPPORT, BIG TWIN 1980-2000
7	A-9115	9115	each BEARING, LEFT CAM SUPPORT, BIG TWIN 1980-2000
8	A-11016	11016	pk-10 RETAINING RING, SHIFTER LEVER, BIG TWIN 1980-2001
9	A-11083	11083	pk-10 RETAINING RING, SHIFTER CAM, BIG TWIN 1980-PRESENT
10	A-11150	11150	pk-10 RETAINING RING, SHIFTER ROD LEVER, BIG TWIN 1984-PRESENT
11	A-12045	12045	pk-5 OIL SEAL, SHIFTER SHAFT LEVER, BIG TWIN 1980-2006
12	A-33119-79B	33119-79B	each ADJUSTING SCREW, SHIFTER ARM, BIG TWIN 1980-2002
13	A-33205-80	33205-80	pk-5 THRUST WASHER, SHIFTER CAM (.017) BIG TWIN 1980-2002
	A-33206-80	33206-80	pk-5 THRUST WASHER, SHIFTER CAM (.020) BIG TWIN 1980-2002
	A-33207-80	33207-80	pk-5 THRUST WASHER, SHIFTER CAM (.022) BIG TWIN 1980-2002
	A-33208-80	33208-80	pk-5 THRUST WASHER, SHIFTER CAM (.025) BIG TWIN 1980-2002
	A-33209-80	33209-80	pk-5 THRUST WASHER, SHIFTER CAM (.028) BIG TWIN 1980-2002
	A-33210-80	33210-80	pk-5 THRUST WASHER, SHIFTER CAM (.031) BIG TWIN 1980-2002
	A-33211-80	33211-80	pk-5 THRUST WASHER, SHIFTER CAM (.035) BIG TWIN 1980-2002
	A-33212-80	33212-80	pk-5 THRUST WASHER, SHIFTER CAM (.040) BIG TWIN 1980-2002
	A-33212-SET		set-8 THRUST WASHER, SHIFTER CAM (.017 to .040) BIG TWIN 1980-2002
14	O-6-045	33640-83	each SHIFTER LEVER, HEEL SHIFT **CHROME** BIG TWIN 1983-1985
15	A-33712-79	33712-79	pair BUSHINGS, SHIFTER BRACKET, BIG TWIN 1979-1985
17	A-34082-79	34082-79	pk-5 PIN, SHIFTER SHAFT LEVER, BIG TWIN 1980-PRESENT
18	A-34083-79	34083-79	pk-10 SPRING, SHIFTER SHAFT LEVER, BIG TWIN 1980-PRESENT
19	A-34085-79A	34085-79A	each CAM FOLLOWER, RIGHT SIDE SHIFTER SUPPORT, BIG TWIN 1980-2000
20	A-34087-79A	34087-79A	pk-5 SPRING, SHIFTER SHAFT, BIG TWIN 1980-PRESENT
21	A-34088-87	34088-87	each SHAFT, SHIFTER FORKS, BIG TWIN 1987-2006
22	A-34089-79	34089-79	pk-10 SPRING, CAM FOLLOWER, BIG TWIN 1980-2000
23	45-0202	34191-79D	each SHIFTER FORK (1st & 2nd GEAR) **5-SPEED** BIG TWIN 1990-2006
24	45-0203	34193-79D	each SHIFTER FORK (3rd & 5th GEAR) **5-SPEED** BIG TWIN 1990-2006
25	45-0204	34195-79D	each SHIFTER FORK (4th GEAR) **5-SPEED** BIG TWIN 1990-2006
26	K-2-786	34611-65	each FOOT PEG **1/2" LONG STUD** BIG TWIN 1965-PRESENT
27	* A-34979-00	34979-00	each SLEEVE, SHIFTER SHAFT LEVER, BIG TWIN 2000-2006

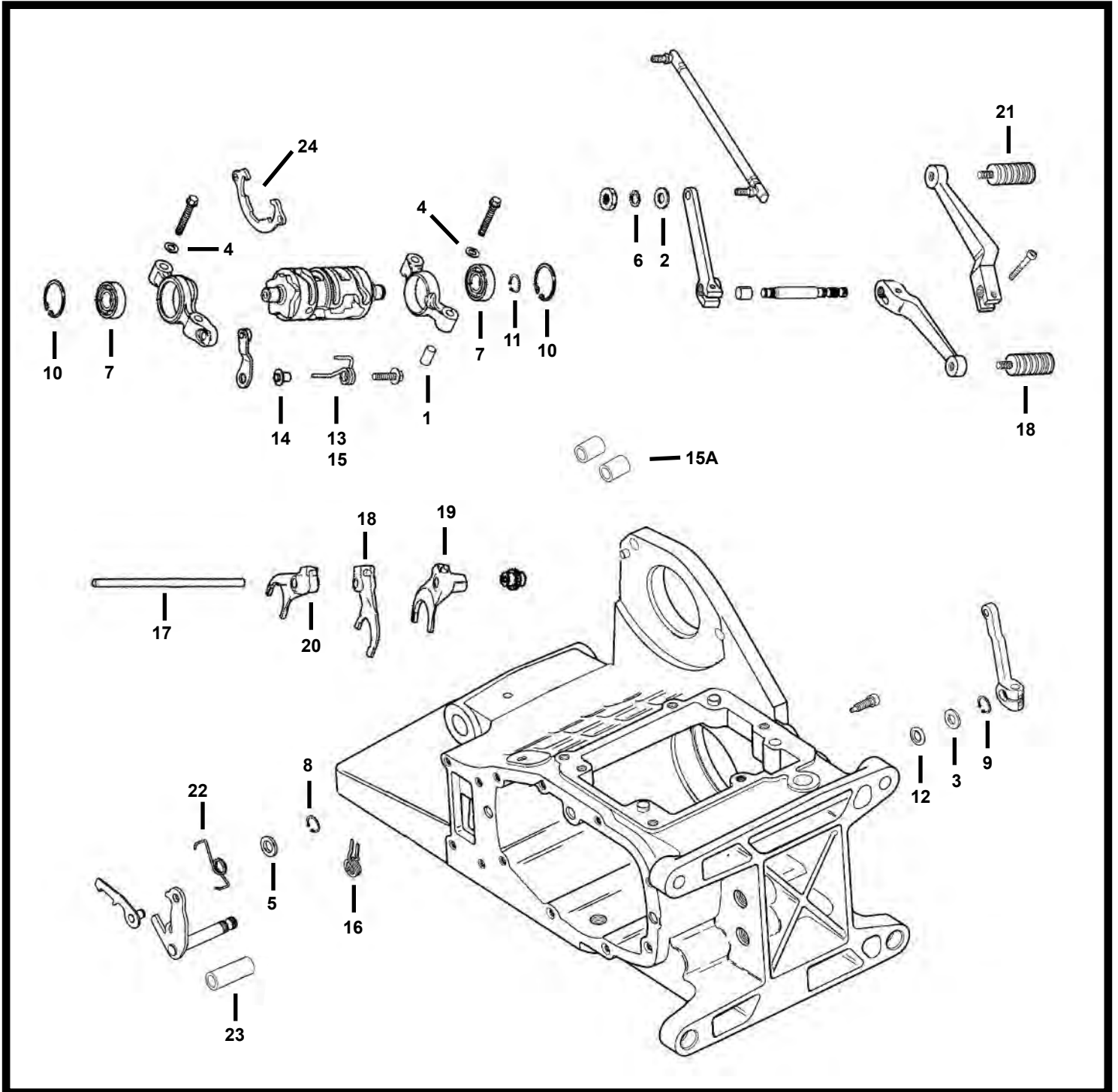


# **\*\*EASTERN MOTORCYCLE PARTS\*\***

## **\*\*TRANSMISSION\*\***

## **\*\*GEAR SHIFTER\*\***

## **\*\*BIG TWIN 2001-PRESENT\*\***



**\*\*CONTINUED NEXT PAGE\*\***

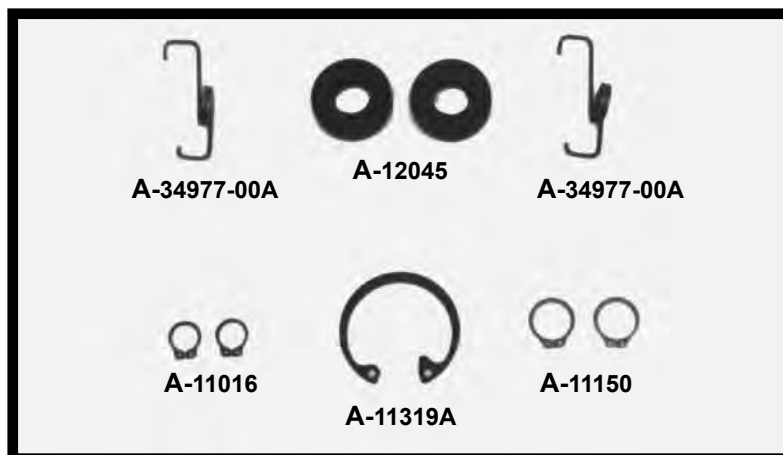
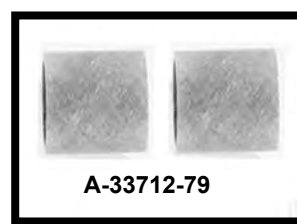
# \*\*EASTERN MOTORCYCLE PARTS\*\*

## \*\*TRANSMISSION\*\*

## \*\*GEAR SHIFTER\*\*

## \*\*BIG TWIN 2001-PRESENT\*\*

DIAGRAM NUMBER	EASTERN NUMBER	REPLACES OEM	DESCRIPTION
1	A-609	609	pk-25 ROLL PINS, **3/8 X 5/16** BIG TWIN 1980-2006
2	A-6016	6016	pk-25 WASHER **11/32 X 11/16 X 1/16" THICK** (ZINC PLATED)
3	A-6497HW	6497HW	pk-25 WASHER **7/16 X 1-1/8 X 3/64" THICK** (ZINC PLATED)
4	A-6736	6736	pk-25 WASHER **9/32 X 5/8 X 1/16" THICK** (ZINC PLATED)
5	A-6846	6846	pk-25 WASHER **29/64 X .335 X 1/32" THICK** (ZINC PLATED)
6	36-0214	7041	pk-100 LOCK WASHER **REGULAR 5/16** (ZINC PLATED)
7	A-9837	9837	each BEARING, SHIFTER CAM SUPPORT, BIG TWIN 2001-2006
8	A-11016	11016	pk-10 RETAINING RING, SHIFTER LEVER, BIG TWIN 1980-2001
9	A-11150	11150	pk-10 RETAINING RING, SHIFTER ROD LEVER, BIG TWIN 1984-PRESENT
10	A-11319A	11319A	pk-10 RETAINING RING, SHIFTER CAM SUPPORT, BIG TWIN 2001-PRESENT
11	A-11342	11342	pk-10 RETAINING RING, SHIFTER CAM END, BIG TWIN 2001-2006
12	A-12045	12045	pk-5 OIL SEAL, SHIFTER SHAFT LEVER, BIG TWIN 1980-2006
13	A-33374-00	33374-00	pk-10 SPRING, DETENT ARM, BIG TWIN 2001-PRESENT
14	A-33375-00	33375-00	pk-5 SLEEVE, DETENT ARM, BIG TWIN 2001-2006
15	A-33389-06	33389-06	pk-10 SPRING, DETENT ARM, BIG TWIN 2006-PRESENT
	A-33389-07	33389-07	pk-10 SPRING, DETENT ARM, BIG TWIN 2007-PRESENT
15A	A-33712-79	33712-79	pair BUSHINGS, SHIFTER BRACKET, BIG TWIN 1979-1985
16	A-34064-00C	34064-00C	pk-10 SPRING, SHIFTER LEVER, BIG TWIN 2000-PRESENT
17	A-34088-87	34088-87	each SHAFT, SHIFTER FORKS, BIG TWIN 1987-2006
18	45-0202	34191-79D	each SHIFTER FORK (1st & 2nd GEAR) **5-SPEED** BIG TWIN 1990-2006
19	45-0203	34193-79D	each SHIFTER FORK (3rd & 5th GEAR) **5-SPEED** BIG TWIN 1990-2006
20	45-0204	34195-79D	each SHIFTER FORK (4th GEAR) **5-SPEED** BIG TWIN 1990-2006
21	K-2-786	34611-65	each FOOT PEG **1/2" LONG STUD** BIG TWIN 1965-PRESENT
22	A-34977-00A	34977-00A	pk-10 SPRING, SHIFTER SHAFT LEVER, BIG TWIN 2000-2006
23	* A-34979-00	34979-00	each SLEEVE, SHIFTER SHAFT LEVER, BIG TWIN 2000-2006
24	A-35249-06	35249-06	each LOCK PLATE, SHIFTER CAM **6-SPEED** BIG TWIN 2006-PRESENT

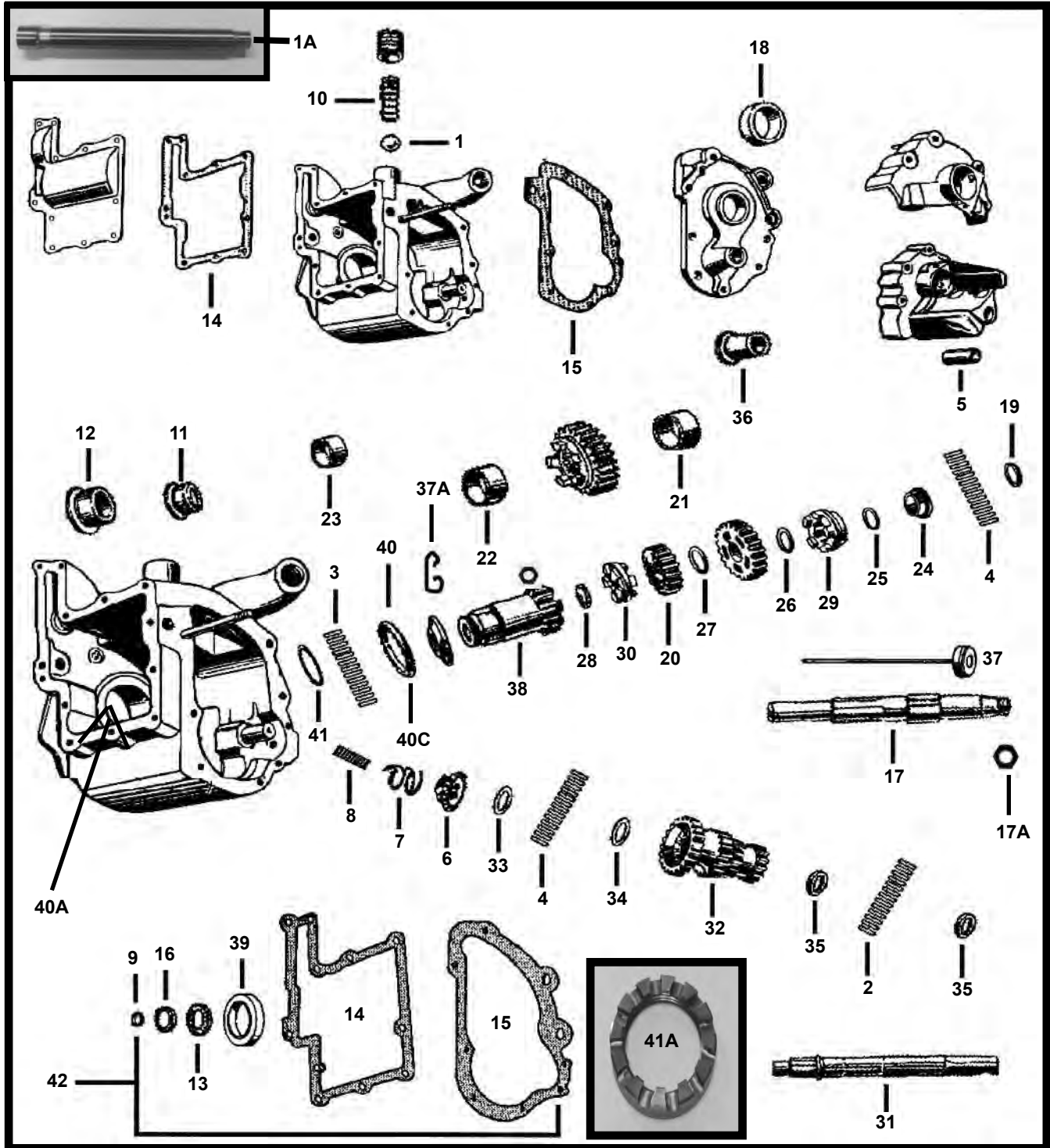


# \*\*EASTERN MOTORCYCLE PARTS\*\*

## \*\*TRANSMISSION\*\*

### \*\*GEAR BOX\*\*

\*\*FORTY-FIVE 1935-1973\*\*



\*\*CONTINUED NEXT PAGE

\*5120 HILDA ROAD\* BLACKVILLE, S.C. 29817\* 803-284-3304\*

\*Pg 236\*

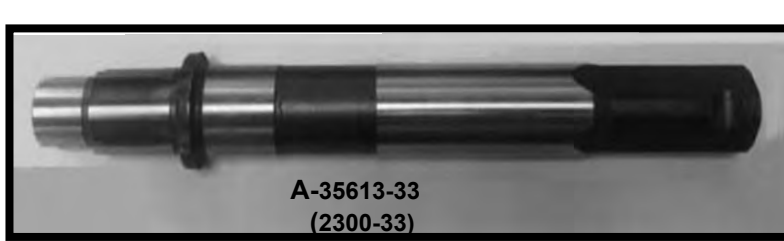
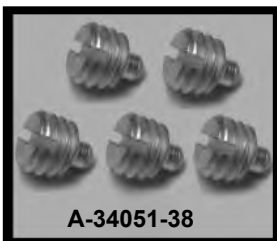
# \*\*EASTERN MOTORCYCLE PARTS\*\*

## \*\*TRANSMISSION\*\*

### \*\*GEAR BOX\*\*

#### \*\*FORTY-FIVE 1935-1973\*\*

<u>DIAGRAM NUMBER</u>	<u>EASTERN NUMBER</u>	<u>REPLACES OEM</u>	<u>DESCRIPTION</u>
1	A-8872	8872	pk-25 BALL BEARING, **1/2** FORTY-FIVE 1935-1973
1A	* 44-0511	2244-38	each SHAFT, SHIFTER CAM (IN CASE) FORTY-FIVE 1938-1940 <b>**USA**</b>
	* 44-0513	2245-38	each SHAFT, SHIFTER FORKS (IN CASE) FORTY-FIVE 1938-1940 <b>**USA**</b>
2	A-9075-24	9075	set-24 ROLLERS, COUNTERSHAFT (STD) FORTY-FIVE 1935-1973
	A-9076-24	9076	set-24 ROLLERS, COUNTERSHAFT (.0004) FORTY-FIVE 1935-1973
	A-9077-24	9077	set-24 ROLLERS, COUNTERSHAFT (.0008) FORTY-FIVE 1935-1973
3	A-9084-44	9084	set-44 ROLLERS, MAIN DRIVE GEAR (STD) FORTY-FIVE 1937-1973
	A-9085-44	9085	set-44 ROLLERS, MAIN DRIVE GEAR (.0004) FORTY-FIVE 1937-1973
	A-9086-44	9086	set-44 ROLLERS, MAIN DRIVE GEAR (.0008) FORTY-FIVE 1937-1973
	A-9087-44	9087	set-44 ROLLERS, MAIN DRIVE GEAR (.001) FORTY-FIVE 1937-1973
	A-9080-108	9080	set-108 ROLLER SET, (STD) FORTY-FIVE 1937-1973
	A-9081-108	9081	set-108 ROLLER SET, (.0004) FORTY-FIVE 1937-1973
	A-9082-108	9082	set-108 ROLLER SET, (.0008) FORTY-FIVE 1937-1973
4	A-9090-40	9090	set-40 ROLLERS, MAIN & COUNTERSHAFT (STD) FORTY-FIVE 1935-1973
	A-9091-40	9091	set-40 ROLLERS, MAIN & COUNTERSHAFT (.0004) FORTY-FIVE 1935-1973
	A-9092-40	9092	set-40 ROLLERS, MAIN & COUNTERSHAFT (.0008) FORTY-FIVE 1935-1973
5	A-33101-32	33101-32	each BUSHING, STARTER SHAFT, (SERVI-CAR) FORTY-FIVE 1932-1973
6	W-14-221	33380-32	each STARTER CLUTCH GEAR, <b>**IMPORTED**</b> FORTY-FIVE 1935-1973
7	A-33390-26	33390-26	pk-10 SPRING, SHIFTER GEAR, FORTY-FIVE 1929-1973
8	A-33455-26	33455-26	pk-10 SPRING, COUNTERSHAFT, FORTY-FIVE 1929-1973
9	A-34036-36	34036-36	pk 10 SEAL, SHIFTER CAM SHAFT, FORTY-FIVE 1941-1973
10	A-34057-36	34057-36	pk-10 SPRING, PLUNGER BALL, FORTY-FIVE 1929-1973
11	A-34427-38	34427-38	each BUSHING, SHIFTER SHAFT (SMALL) FORTY-FIVE 1938-1973
12	A-34432-38	34432-38	each BUSHING, SHIFTER SHAFT (LARGE) FORTY-FIVE 1938-1973
13	A-34459-26	34459-26	pk-10 WASHER (LEATHER) SHIFTER SHAFT, FORTY-FIVE 1929-1973
14	L-3-973	34825-41	pk-10 GASKETS, GEAR BOX TOP COVER, FORTY-FIVE 1941-1973
15	L-3-975	34826-41	pk-10 GASKETS, SIDE COVER, FORTY-FIVE 1941-1973
16	A-34831-39	34831-39	pk-10 OIL SEAL (LATHE CUT) FORTY-FIVE 1941-1973
17	A-35043-41	35043-41	each MAINSHAFT, FORTY-FIVE 1941-1973 <b>**EASTERN**</b>
	W-14-176	35043-41	each MAINSHAFT, FORTY-FIVE 1941-1973 <b>**IMPORTED**</b>
18	* A-364-29	364-29	pk-5 NUT, MAINSHAFT, *11/16-18 THREAD* FORTY-FIVE 1933-1940
	A-35102-33	35102-33	each BUSHING, OUTER BEARING RACE (STD) FORTY-FIVE 1935-1973
	A-35102-87	35102-33	each BUSHING, OUTER BEARING RACE (.002) FORTY-FIVE 1935-1973
	A-35102-88	35102-33	each BUSHING, OUTER BEARING RACE (.005) FORTY-FIVE 1935-1973
	A-35102-89	35102-33	each BUSHING, OUTER BEARING RACE (.010) FORTY-FIVE 1935-1973
19	A-35110-33	35110-33	pk-5 THRUST WASHERS, MAINSHAFT BALL BEARING, FORTY-FIVE '35-'73
20	W-14-247	35294-41	each GEAR, MAINSHAFT 2ND *18 TOOTH* FORTY-FIVE 1941-1973
21	A-35316-41	35316-41	each BUSHING, LOW GEAR, FORTY-FIVE 1935-1973
22	A-35320-41	35320-41	each BUSHING, SECOND GEAR, FORTY-FIVE 1941-1973
No#	* A-34051-38	34051-58	pk-5 LOCK SCREW, SHIFT FOR CAM, (1/4-24 THREAD) FORTY-FIVE '35-'73



**\*\*CONTINUED NEXT PAGE\*\***

**\*5120 HILDA ROAD\* BLACKVILLE, S.C. 29817\* 803-284-3304\***

**\*Pg 237\***

# \*\*EASTERN MOTORCYCLE PARTS\*\*

## \*\*TRANSMISSION\*\*

### \*\*GEAR BOX\*\*

#### \*\*FORTY-FIVE 1935-1973\*\*

<u>DIAGRAM NUMBER</u>	<u>EASTERN NUMBER</u>	<u>REPLACES OEM</u>	<u>DESCRIPTION</u>
23	A-35326-33	35326-33	each BUSHING, REVERSE GEAR (SERVI-CAR) FORTY-FIVE 1933-1973
24	A-35332-33	35332-33	each SPACER, USED IN PLACE OF REVERSE GEAR, FORTY-FIVE 1935-'73
25	A-35340-33	35340-33	pk-5 THRUST WASHER, REVERSE GEAR, FORTY-FIVE 1935-1973
26	A-35341-41	35341-41	pk-5 THRUST WASHER, LOW GEAR END, FORTY-FIVE 1941-1973
27	A-35344-SET	35344-41	set-8 THRUST WASHER, LOW & SECOND GEAR, FORTY-FIVE 1941-1973 <b>SET INCLUDES: (1ea) .040, .045, .050, .055, .060, .065, .070, .075</b>
	A-35347-41	35347-41	pk-5 THRUST WASHER, LOW & 2nd GEAR (.040) FORTY-FIVE 1941-1973
	A-35348-41	35348-41	pk-5 THRUST WASHER, LOW & 2nd GEAR (.045) FORTY-FIVE 1941-1973
	A-35349-41	35349-41	pk-5 THRUST WASHER, LOW & 2nd GEAR (.050) FORTY-FIVE 1941-1973
	A-35350-41	35350-41	pk-5 THRUST WASHER, LOW & 2nd GEAR (.055) FORTY-FIVE 1941-1973
	A-35351-41	35351-41	pk-5 THRUST WASHER, LOW & 2nd GEAR (.060) FORTY-FIVE 1941-1973
	A-35352-41	35352-41	pk-5 THRUST WASHER, LOW & 2nd GEAR (.065) FORTY-FIVE 1941-1973
	A-35353-41	35353-41	pk-5 THRUST WASHER, LOW & 2nd GEAR (.070) FORTY-FIVE 1941-1973
	A-35354-41	35354-41	pk-5 THRUST WASHER, LOW & 2nd GEAR (.075) FORTY-FIVE 1941-1973
28	A-35380-SET	35380-41	set-8 THRUST WASHER SET, MAINSHAFT (.075-.113) FORTY-FIVE 1941-'73 <b>SET INCLUDES: (1ea) .075, .083, .088, .093, .098, .103, .108, .113</b>
	A-35384-41	35384-41	pk-5 THRUST WASHERS, MAINSHAFT (.075) FORTY-FIVE 1941-1973
	A-35385-41	35385-41	pk-5 THRUST WASHERS, MAINSHAFT (.083) FORTY-FIVE 1941-1973
	A-35386-41	35386-41	pk-5 THRUST WASHERS, MAINSHAFT (.088) FORTY-FIVE 1941-1973
	A-35387-41	35387-41	pk-5 THRUST WASHERS, MAINSHAFT (.093) FORTY-FIVE 1941-1973
	A-35388-41	35388-41	pk-5 THRUST WASHERS, MAINSHAFT (.098) FORTY-FIVE 1941-1973
	A-35389-41	35389-41	pk-5 THRUST WASHERS, MAINSHAFT (.103) FORTY-FIVE 1941-1973
	A-35390-41	35390-41	pk-5 THRUST WASHERS, MAINSHAFT (.108) FORTY-FIVE 1941-1973
	A-35391-41	35391-41	pk-5 THRUST WASHERS, MAINSHAFT (.113) FORTY-FIVE 1941-1973
29	A-35441-41	35441-41	each SHIFTER CLUTCH, LOW GEAR, FORTY-FIVE 1941-1973
30	A-35445-41	35445-41	each SHIFTER CLUTCH, 2ND & HIGH GEAR, FORTY-FIVE 1941-1973
31	A-35613-33	2300-33	each COUNTERSHAFT, FORTY-FIVE 1933-1940 <b>**MADE IN U.S.A.**</b>
	A-35613-41C	35613-41	each COUNTER AND KICK STARTER SHAFT, F/F 1941-1973 <b>**EASTERN**</b>
32	W-14-172	35709-41	each GEAR, COUNTERSHAFT CLUSTER (14X18X22) FORTY-FIVE 1941-'73
33	A-35910-33	35910-33	pk-5 THRUST WASHERS, OUTER BEARING, FORTY-FIVE 1935-1973
34	A-35911-33	35911-33	pk-5 THRUST WASHERS, INNER BEARING, FORTY-FIVE 1935-1973
35	A-35913-39	35913-39	pk-5 WASHER, COUNTERSHAFT ROLLER BEARING, FORTY-FIVE 1941-'73
36	A-36042-41	36042-41	each BUSHING, COUNTERSHAFT SIDE COVER, FORTY-FIVE 1941-1973
37	A-37287-41	37287-41	each THROWOUT BEARING ASSEMBLY, FORTY-FIVE 1941-1973
37A	A-37354-41	37354-41	pk-10 RETAINING RING, PUSH ROD GUIDE, FORTY-FIVE 1941-1973
38	W-14-464	37450-41	each CLUTCH GEAR <b>**14-TOOTH**</b> FORTY-FIVE 1941-1973
	A-37458-41	37458-41	each BUSHING, <b>**INSIDE CLUTCH GEAR**</b> FORTY-FIVE 1941-1973
39	A-37465-41	37465-41	pk-5 OIL SEAL, MAIN DRIVE GEAR, FORTY-FIVE 1941-1973
40	A-37467-41	37467-41	each BEARING, MAIN DRIVE GEAR, FORTY-FIVE 1941-1973
40A	A-37474-41	37474-41	each BEARING RACE, <b>**STD**</b> FORTY-FIVE 1941-1973 <b>**MADE IN U.S.A.**</b>
	A-37474-41B	37474-41	each BEARING RACE, <b>**005**</b> FORTY-FIVE 1941-1973 <b>**MADE IN U.S.A.**</b>
40C	A-37477-41	37477-41	each BEARING RACE, MAIN DRIVE, FORTY-FIVE 1941-1973 <b>**MADE IN U.S.A.**</b>
41	A-37480-41	37480-41	pk-5 THRUST WASHERS <b>WIDE</b> , CLUTCH GEAR (2.240 O.D) FORTY-FIVE 41-'73
	A-37482-41	37482-41	pk-5 WASHER, <b>THIN</b> , BEARING RETAINER, (1.770 O.D) FORTY-FIVE 1941-1973
41A	A-37647-33	37647-33/ 2531-33	each LOCKNUT, INNER DRIVE DISC, FORTY-FIVE 1933-1940, REVERSE 33-40

#### **\*\*TRANSMISSION GASKET SET\*\***

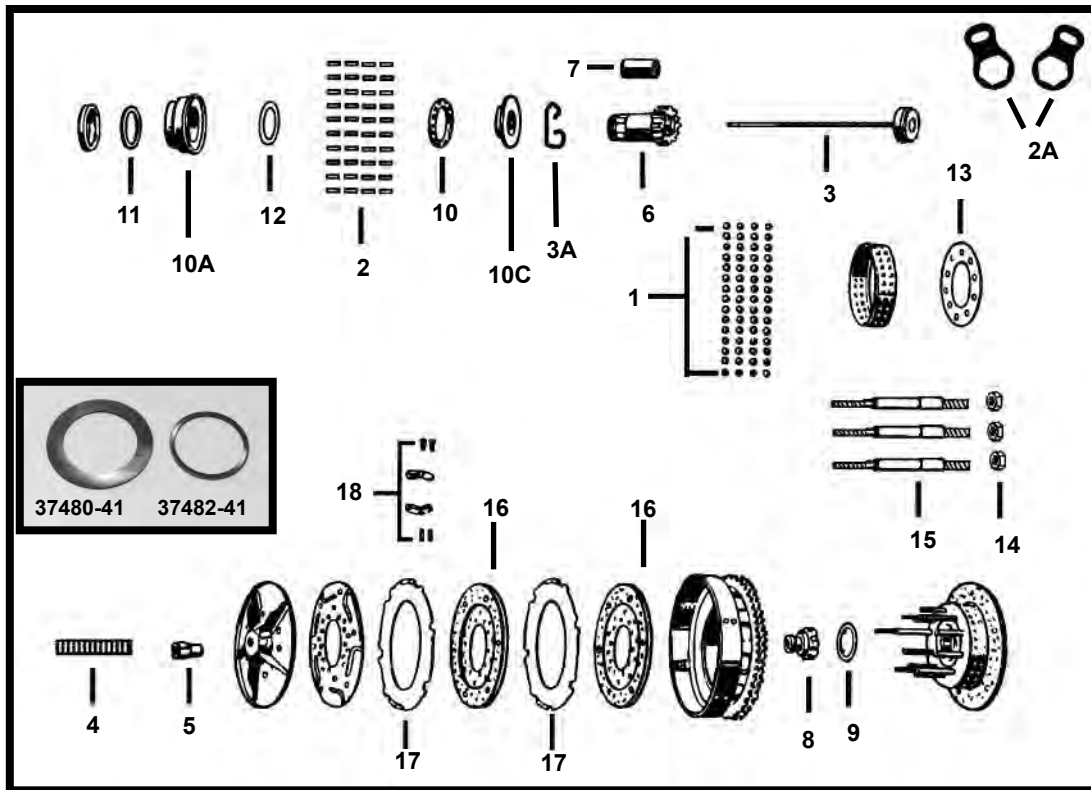
42	L-3-430	33030-41	GASKET SET (COMPLETE) FORTY-FIVE 1941-1973 <b>**MADE IN U.S.A.**</b> <b>KIT INCLUDES: (1) 34036-36, (1) 34459-26, (1) 34825-41, (1) 34826-41, (1) 34831-39, (1) 37465-41</b>
	L-3-431	33030-41	GASKET SET (COMPLETE) FORTY-FIVE 1941-1973 <b>**IMPORTED**</b> <b>KIT INCLUDES: (1) 34036-36, (1) 34459-26, (1) 34825-41, (1) 34826-41, (1) 34831-39, (1) 37465-41</b>



# \*\*EASTERN MOTORCYCLE PARTS\*\*

## \*\*CLUTCH\*\*

\*\*FORTY-FIVE 1941-1973\*\*



**DIAGRAM NUMBER**

**EASTERN NUMBER**

**REPLACES OEM**

**DESCRIPTION**

1	A-8856A	8856A	pk-25	BALL BEARINGS, CLUTCH HUB, FORTY-FIVE 1941-1973
2	A-9084-44	9084-44	pk-44	ROLLERS, CLUTCH GEAR ( <b>STD</b> ) FORTY-FIVE 1941-1973
	A-9085-44	9085-44	pk-44	ROLLERS, CLUTCH GEAR ( <b>.0004</b> ) FORTY-FIVE 1941-1973
	A-9086-44	9086-44	pk-44	ROLLERS, CLUTCH GEAR ( <b>.0008</b> ) FORTY-FIVE 1941-1973
	A-9087-44		pk-44	ROLLERS, CLUTCH GEAR ( <b>.001</b> ) FORTY-FIVE 1941-1973
2A	A-37081-44	37081-44	PK-10	LOCK PLATE, RELEASE LEVER, FORTY-FIVE 1944-1952
3	A-37287-41	37287-41	each	THROWOUT BEARING ASSEMBLY, FORTY-FIVE 1941-1973
3A	A-37354-41	37354-41	pk-10	RETAINING RING, PUSH ROD GUIDE, FORTY-FIVE 1941-1973
4	A-37358-41	37358-41	pk-5	ADJUSTING SCREW, CLUTCH PUSH ROD, FORTY-FIVE 1941-1973
5	A-37361-41	37361-41	pk-5	NUT, CLUTCH ADJUSTING SCREW, FORTY-FIVE 1941-1973
6	W-14-464	37450-41	each	CLUTCH GEAR, <b>**14-TOOTH**</b> FORTY-FIVE 1941-1973
7	A-37458-41	37458-41	each	BUSHING, CLUTCH GEAR, FORTY-FIVE 1941-1973
8	A-37460-41	37460-41	each	NUT, CLUTCH GEAR, FORTY-FIVE 1941-1973
9	A-37462-41	37462-41	pk-5	LOCK TAB, CLUTCH GEAR NUT, FORTY-FIVE 1941-1973
10	A-37467-41	37467-41	each	BEARING, MAIN DRIVE GEAR, FORTY-FIVE 1941-1973
10A	A-37474-41	37474-41	each	BEARING RACE, <b>**STD**</b> FORTY-FIVE 1941-1973 <b>**MADE IN U.S.A.**</b>
	A-37474-41B	37474-41	each	BEARING RACE, <b>**005**</b> FORTY-FIVE 1941-1973 <b>**MADE IN U.S.A.**</b>
10C	A-37477-41	37477-41	each	BEARING RACE, MAIN DRIVE, FORTY-FIVE 1941-1973 <b>**MADE IN U.S.A.**</b>
11	A-37480-41	37480-41	pk-5	THRUST WASHERS <b>WIDE</b> , CLUTCH GEAR ( <b>2.240 O.D</b> ) F-F 1941-'73
12	A-37482-41	37482-41	pk-5	WASHER <b>THIN</b> , BEARING RETAINER, ( <b>1.770 O.D</b> ) FORTY-FIVE 41-'73
13	A-37577-41	37577-41	each	BEARING PLATE, CLUTCH HUB, FORTY-FIVE 1941-1973
14	A-37581-47	37581-47	set-3	NUTS, CLUTCH HUB, FORTY-FIVE 1941-1973
15	A-37584-41	37584-41	set-3	CLUTCH HUB STUDS, FORTY-FIVE 1941-1973
16	A-37931-41	37931-41	pair	CLUTCH FRICTION DISC, STOCK STYLE, FORTY-FIVE 1941-1973
17	41-0105	37977-41	each	CLUTCH DRIVE PLATE, WITH BUFFERS ( <b>STEEL</b> ) FORTY-FIVE 1941-73
18	A-38025-41	38025-41	set-3	CLUTCH DISC BUFFERS, FORTY-FIVE 1941-1973

# \*\*EASTERN MOTORCYCLE PARTS\*\*

## \*\*CLUTCH\*\*

\*\*BIG TWIN 1941-1984\*\*

\*\*4-SPEED\*\*

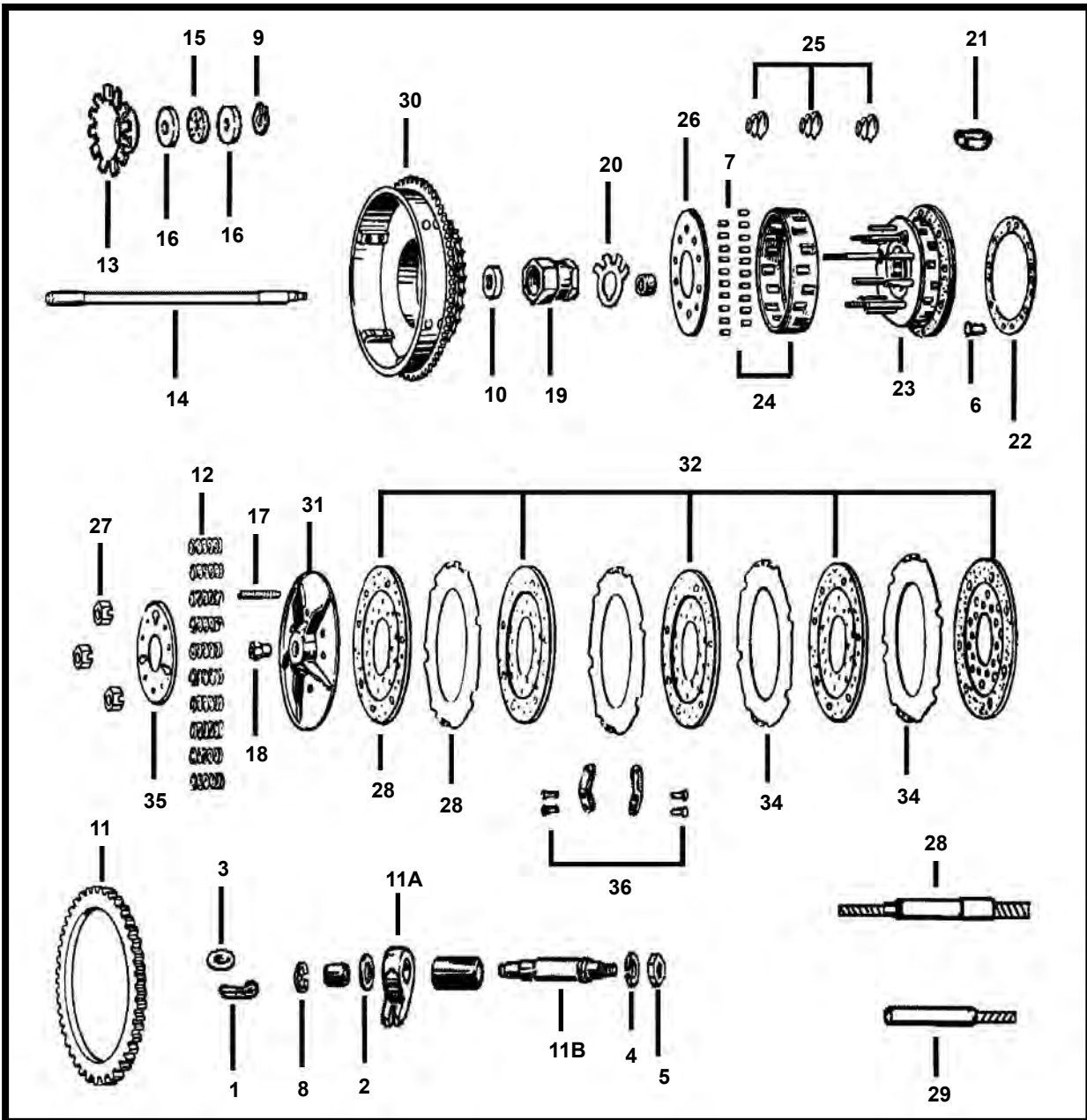


DIAGRAM NUMBER	EASTERN NUMBER	REPLACES OEM	DESCRIPTION
1	35-0135	534	pk-100 COTTER PIN, 3/32X5/8, BIG TWIN
2	A-6443HW	6443HW	pk-25 WASHER, (ZINC PLATED), 13/32 X 11/16 X 1/16" THICK, BIG TWIN
3	A-6702	6702	pk-25 WASHER, (ZINC PLATED), 5/16 X 11/16 X 1/16" THICK, BIG TWIN
4	36-0210	7039/7055	pk-100 LOCK-WASHER, (ZINC PLATED), REGULAR 7/16, BIG TWIN
5	A-7837W	7837W	pk-5 NUT, CLUTCH HUB, 7/16-20 X 3/8 X 11/16 HEX, BIG TWIN 1941-1984
6	A-8226	8226	pk-25 RIVETS, CLUTCH HUB LINING (BRASS), BIG TWIN 1937-1984

**\*\*CONTINUED NEXT PAGE**

**\*5120 HILDA ROAD\* BLACKVILLE, S.C. 29817\* 803-284-3304\***

# **\*\*EASTERN MOTORCYCLE PARTS\*\***

## **\*\*CLUTCH\*\***

**\*\*BIG TWIN 1941-1984\*\***

**\*\*4-SPEED\*\***

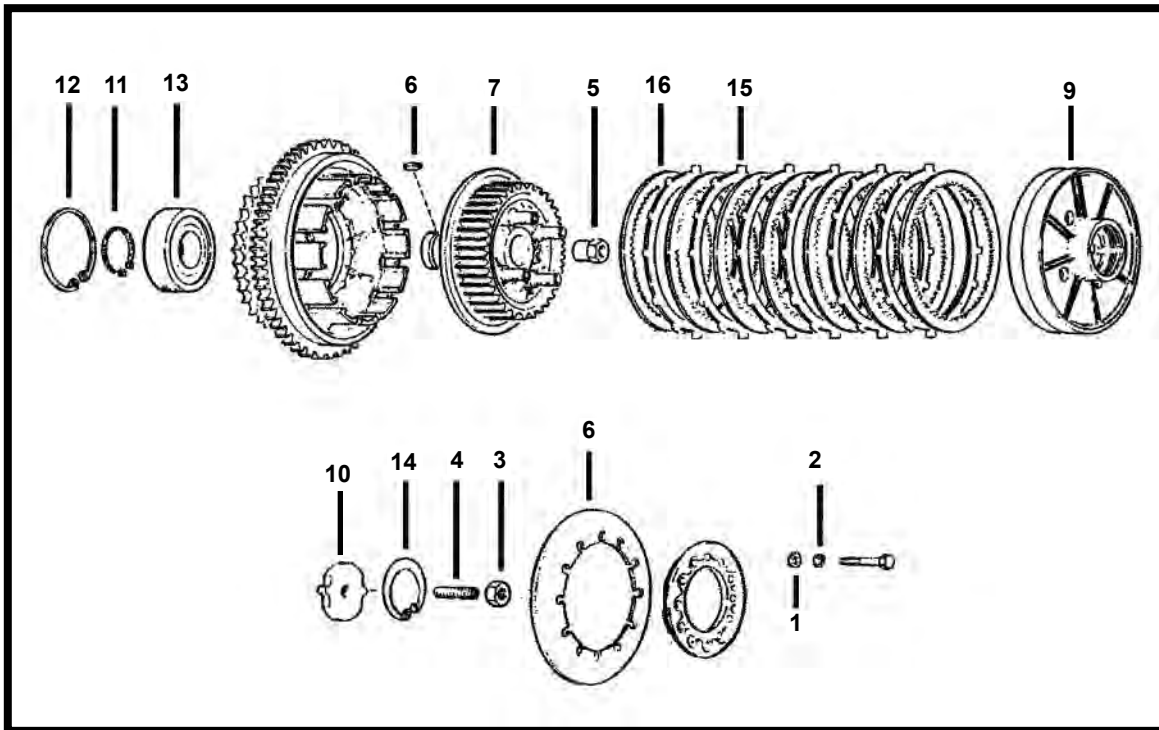
<b>DIAGRAM NUMBER</b>	<b>EASTERN NUMBER</b>	<b>REPLACES OEM</b>	<b>DESCRIPTION</b>
7	A-9540A	9540A	pk-20 ROLLER BEARING, CLUTCH HUB, STD, BIG TWIN 1937-1984
	A-9541A	9541A	pk-20 ROLLER BEARINGS, CLUTCH HUB, .0004 O/S, BIG TWIN 1937-1984
	A-9542A	9542A	pk-20 ROLLER BEARINGS, CLUTCH HUB, .0008 O/S, BIG TWIN 1937-1984
8	A-11000	11000	pk-10 RETAINING RING, RELEASE FINGER, BIG TWIN 1937-1984
9	A-11096	11096	pk-10 RETAINING RING, CLUTCH PUSH ROD, (3/4) RING, BIG TWIN 1975-P
	A-11096A	11096	pk-10 RETAINING RING, CLUTCH PUSH ROD,(FULL) RING, BIG TWIN 1975-P
10	A-12014	12014	pk-5 OIL SEAL, CLUTCH HUB NUT, BIG TWIN 1965-1984
11	A-33163-65B	33163-65B	each STARTER RING GEAR, CLUTCH, BIG TWIN 1965-1984
11A	A-37070-39B	37070-39B	each RELEASE FINGER, **4-SPEED** BIG TWIN 1941-1984
11B	V-13-185	37074-38B	each SHAFT, CLUTCH RELEASE LEVER, **4-SPEED** BIG TWIN 1941-1984
12	A-38075-41	37077-41	pk-10 CLUTCH SPRINGS, (SET-10) BIG TWIN 1941-1967
	A-38075-68	37077-68	pk-10 CLUTCH SPRINGS, (SET-10) BIG TWIN 1968-1984
13	A-37228-75	37228-75	each OIL SLINGER, PUSH ROD END, BIG TWIN 1975-1985
14	J-1-145	37285-41	each CLUTCH PUSH ROD, 4-SPEED, BIG TWIN 1938-1964
	J-1-146	37285-65	each CLUTCH PUSH ROD, 4-SPEED, BIG TWIN 1965-1969
	J-1-147	37285-70	each CLUTCH PUSH ROD, 4-SPEED, BIG TWIN 1970-1974
	J-1-148	37285-75A	each CLUTCH PUSH ROD, 4-SPEED, BIG TWIN 1975-1984
15	A-37312-75	37312-75	each BEARING, CLUTCH PUSH ROD END, BIG TWIN 1975-PRESENT
	A-37312-KIT		each BEARING KIT, CLUTCH PUSH ROD, BIG TWIN 1975-PRESENT <b>KIT INCLUDES: (1) 11096A, (1) 37312-75, (2) 37313-80</b>
16	A-37313-80	37313-80	pk-5 THRUST WASHER, CLUTCH PUSH ROD END, BIG TWIN 1975-PRES.
17	A-37357-41	37357-41	pk-5 ADJUSTING SCREW, CLUTCH PUSH ROD, BIG TWIN 1941-1984
18	A-37361-41	37361-41	pk-5 NUT, CLUTCH ADJUSTING SCREW, BIG TWIN 1941-1984
19	A-37496-41	37496-65	each NUT, CLUTCH HUB, MAINSHAFT, 4-SPEED, BIG TWIN 1937-1984
20	A-37503-41	37503-41	pk-10 LOCK TAB, CLUTCH HUB NUT, BIG TWIN 1941-1986
21	A-37523-15	37523-15	pk-10 KEY, CLUTCH HUB MAINSHAFT, BIG TWIN 1937-1984
22	A-37549-41	37549-41	each LINING AND RIVETS, CLUTCH HUB, BIG TWIN 1936- 1984
23	A-37550-41A	37550-41A	each CLUTCH HUB "ONLY", **3-STUD** BIG TWIN 1936-1984 <b>(WITHOUT:) BEARING CAGE, BEARINGS, PLATES, NUTS, SPRINGS</b>
	A-37550-41C	37550-41C	each CLUTCH HUB COMPLETE, **3-STUD** BIG TWIN 1936-1984 <b>INCLUDES: BEARING CAGE, BEARINGS, PLATES, NUTS, SPRINGS</b>
	A-37550-41TB	37550-41TB	each CLUTCH HUB COMPLETE, **5-STUD** BIG TWIN 1936-1984 <b>INCLUDES: BEARING CAGE, BEARINGS, PLATES, NUTS, SPRINGS</b>
24	A-37567-41A	37567-41A	each ROLLER / RETAINER KIT, CLUTCH HUB, BIG TWIN 1936-1984
25	A-37574-44	37574-44	pk-10 SPRINGS, CLUTCH HUB LONG STUDS, BIG TWIN 1936-1984
26	A-37576-41	37576-41	each BEARING PLATE, CLUTCH HUB, BIG TWIN 1936-1984
27	A-37581-47	37581-47	set-3 NUTS, CLUTCH HUB STUDS, (SET 3) BIG TWIN 1937-1984
28	A-37583-41	37583-41	set-3 CLUTCH HUB STUDS, LONG, (SET 3) BIG TWIN 1941-1984
29	A-37585-41	37585-41	set-7 CLUTCH HUB STUDS, SHORT, (SET 7) BIG TWIN 1941-1984
30	A-37702-70A	37702-70A	each CLUTCH SHELL, W/ RING GEAR, BIG TWIN 1965-1984
	A-37703-41	37703-41	each CLUTCH SHELL, W/ OUT RING GEAR, BIG TWIN 1937-1964
31	A-37871-41	37871-41	each RELEASING DISC, CLUTCH, BIG TWIN 1941-1984
32	E-422	37930-41	kit-5 CLUTCH DISC KIT, W/ LINING & RIVETS (SET-5) BIG TWIN 1936-1967 <b>KIT INCLUDES: (3) PLATES, (1) HALF PLATE, (1) LINING &amp; RIVETS</b>
	E-417	37930-41	kit-4 CLUTCH DISC KIT, WET OR DRY (SET-4) BIG TWIN 1936-1967
	E-421	37930-68A	kit-7 CLUTCH DISC KIT, W/ LINING & RIVETS (SET-7) BIG TWIN 1968-1984 <b>KIT INCLUDES: (5) PLATES, (1) LINING &amp; RIVETS</b>
33	A-37950-41	37950-41	each CLUTCH OUTER DISC (HALF PLATE), BIG TWIN 1941-1967
34	A-37975-41	37975-41	each CLUTCH DRIVE PLATE (STEEL), W/ BUFFERS, BIG TWIN 1941-1984
	A-37975-81	37975-81	each CLUTCH DRIVE PLATE (STEEL), W/O BUFFERS, BIG TWIN 1941-1984
35	A-38010-41	38010-41	each CLUTCH PRESSURE PLATE (3-STUD) BIG TWIN 1936-1984
	A-38010-41B	38010-41B	each CLUTCH HUB PRESSURE PLATE, (5-STUD) BIG TWIN 1936-1984
36	A-38025-41	38025-41	set-3 CLUTCH DISC BUFFERS (RATTLES), BIG TWIN 1941-E/1981

# **\*\*EASTERN MOTORCYCLE PARTS\*\***

## **\*\*CLUTCH\*\***

**\*\*BIG TWIN 1984-1989\*\***

**\*\*5-SPEED\*\***



**DIAGRAM  
NUMBER**

**EASTERN  
NUMBER**

**REPLACES  
OEM**

**DESCRIPTION**

<b><u>DIAGRAM NUMBER</u></b>	<b><u>EASTERN NUMBER</u></b>	<b><u>REPLACES OEM</u></b>	<b><u>DESCRIPTION</u></b>
1	A-6099	6099	pk-25 WASHER, STEEL, 1/4" X 7/16" X 1/16" THICK, BIG TWIN 1984-1989
2	36-0198	7036	pk-100 LOCK-WASHER, (ZINC PLATED), REGULAR 1/4", BIG TWIN 1984-1989
3	A-7848W	7848W	pk-10 NUT, 7/16-20 THREAD, 11/16" HEX, BIG TWIN 1984-PRESENT
4	A-37357-84	37357-84	pk-5 ADJUSTING SCREW, CLUTCH PUSH ROD, BIG TWIN 1984-1990
5	A-37496-84	37496-84	each NUT, CLUTCH HUB, MAINSHAFT, BIG TWIN 1984-1989
6	A-37523-85	37523-85	pk-10 KEY, CLUTCH HUB, MAINSHAFT, BIG TWIN 1985-1989
7	A-37550-84A	37550-84A	each CLUTCH HUB, **INNER** BIG TWIN L/1984-1989
8	A-37875-86A	37875-86A	each CLUTCH PLATE, SPRING DIAPHRAGM, BIG TWIN L/1984-1989
9	A-37901-84A	37901-84A	each PRESSURE PLATE, OUTER CLUTCH, BIG TWIN L/1984-1990
10	A-37903-84	37903-84	each RELEASING PLATE, BIG TWIN 1984-1990
11	A-37904-84	37904-84	pk-10 RETAINING RING, CLUTCH BEARING, BIG TWIN 1984-1989
12	A-37905-84	37905-84	pk-10 RETAINING RING, CLUTCH BEARING, BIG TWIN 1984-1989
13	A-37906-84	37906-84	each BEARING, CLUTCH HUB ASSEMBLY, BIG TWIN 1984-1989
14	A-37907-84	37907-84	pk-10 RETAINING RING, PRESSURE PLATE, BIG TWIN 1984-1989
15	A-37931-84	37931-84	set-6 CLUTCH FRICTION DISC, (SET-6) BIG TWIN 1984-1989
16	A-37975-84	37975-84	each CLUTCH DRIVE PLATE, (STEEL) BIG TWIN 1984-1989 <b>*MADE IN USA*</b>

**\*\*SEE PAGES 260, 261 FOR PUSHRODS AND PUSH ROD KITS\*\***

**\*5120 HILDA ROAD\* BLACKVILLE, S.C. 29817\* 803-284-3304\***

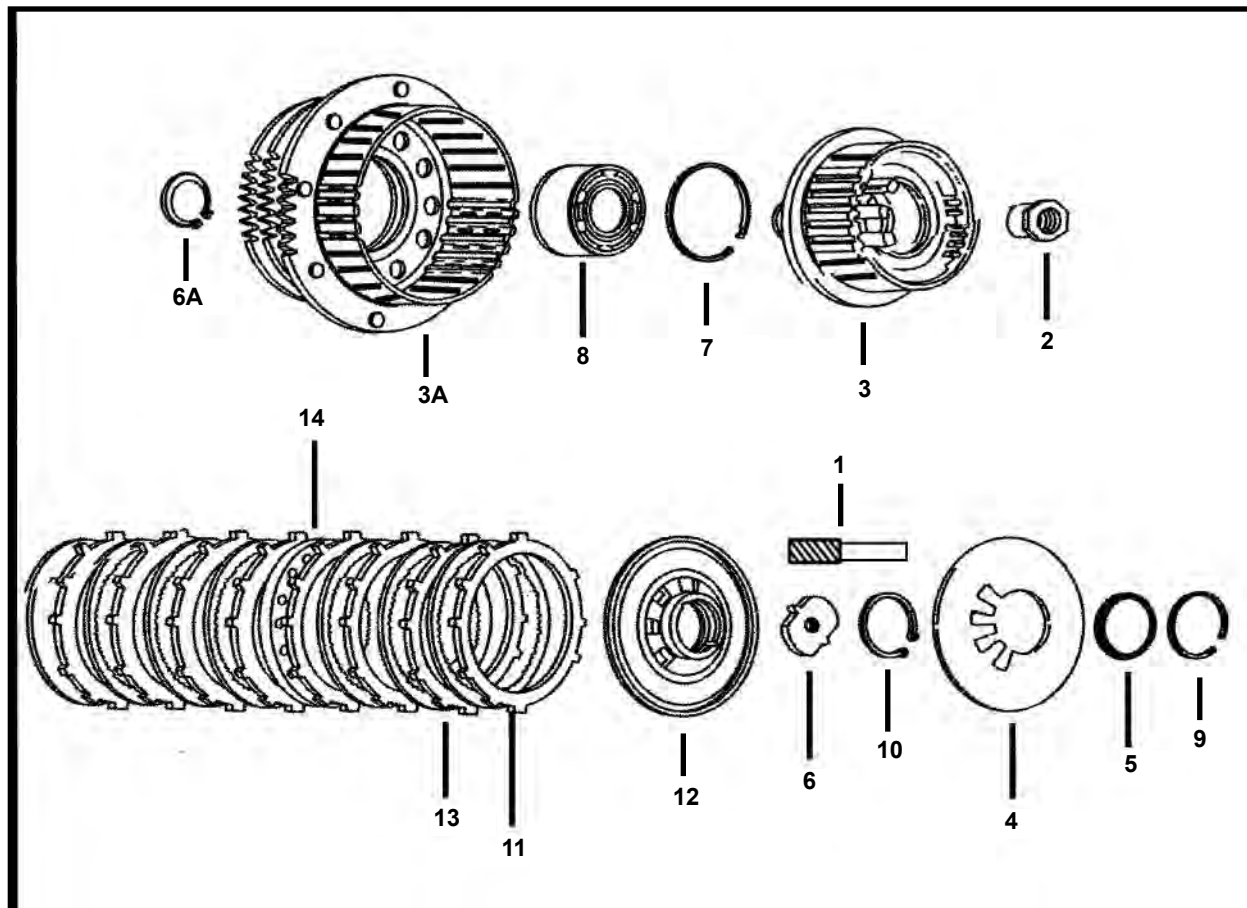
**\*Pg 242\***

# \*\*EASTERN MOTORCYCLE PARTS\*\*

## \*\*CLUTCH\*\*

\*\*BIG TWIN 1990-1997\*\*

\*\*5-SPEED\*\*



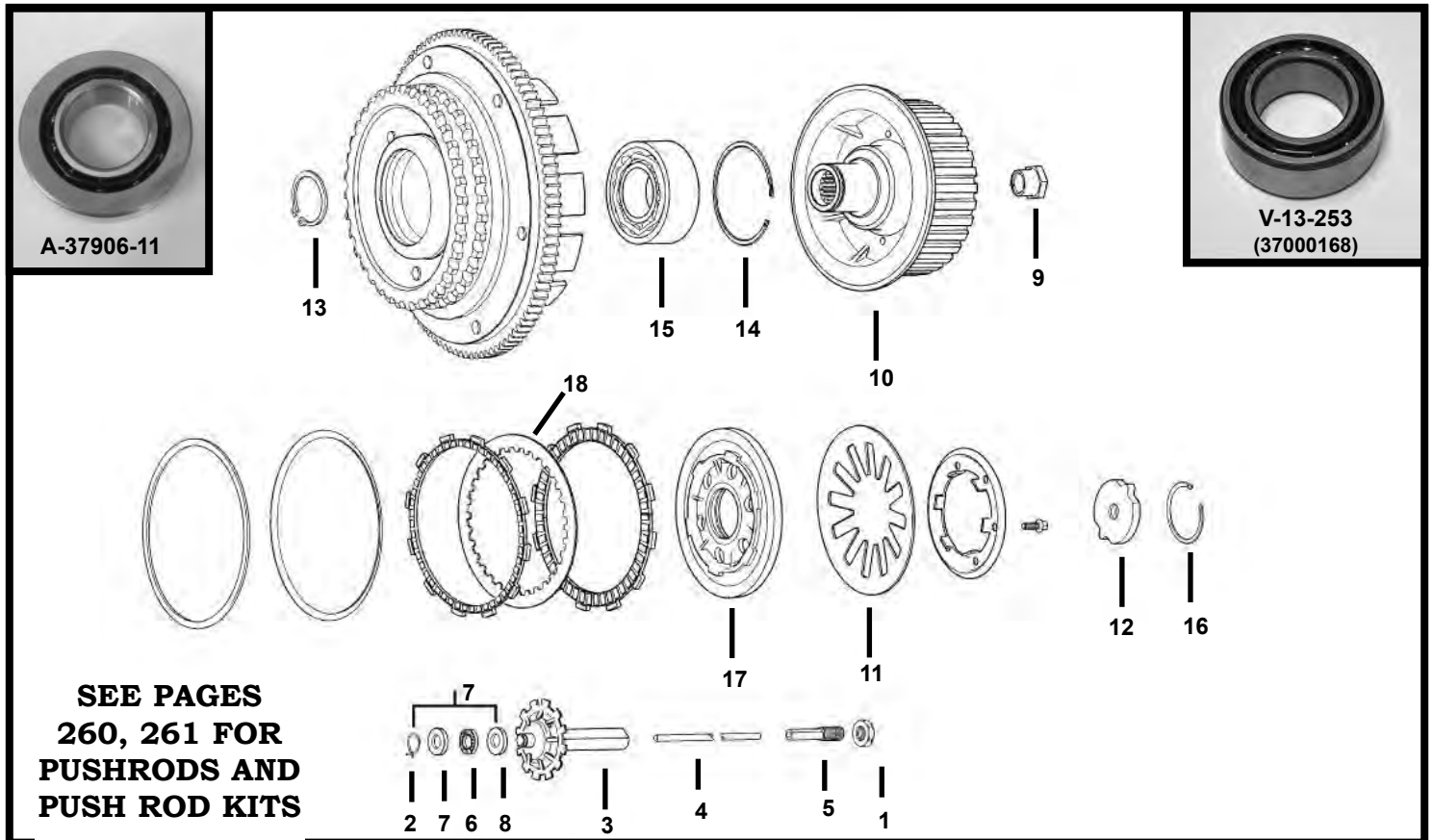
<u>DIAGRAM NUMBER</u>	<u>EASTERN NUMBER</u>	<u>REPLACES OEM</u>	<u>DESCRIPTION</u>
1	A-37090-84A A-37090-98	37090-84A each 37090-98 each	PUSH ROD END, (LEFT SIDE) **5-SPEED** BIG TWIN L/1984-1997 PUSH ROD END, (LEFT SIDE) **5-SPEED** BIG TWIN 1998-PRESENT
2	A-37496-90	37496-90 each	NUT , CLUTCH HUB, BIG TWIN 1990-PRESENT
3	45-0205 A-37550-90A	37550-90A each 37550-90A each	CLUTCH HUB, **INNER** BIG TWIN 1990-1997 CLUTCH HUB, **INNER** BIG TWIN 1990-1997
3A	A-37707-90	37707-90 each	CLUTCH SHELL, WITH RING GEAR, BIG TWIN 1990-1993
4	A-37871-90	37871-90 each	CLUTCH PLATE, SPRING DIAPHRAGM, BIG TWIN 1991-1997
5	A-37872-90	37872-90 each	CLUTCH SPRING SEAT, (INNER) BIG TWIN 1991-1997, SP. 1991-1997
6	A-37903-90	37903-90 each	RELEASE PLATE, BIG TWIN 1990-PRESENT
6A	A-37904-90	37904-90 pk-5	RETAINING RING, CLUTCH BEARING, BIG TWIN 1990-1999
7	A-37905-90	37905-90 pk-5	RETAINING RING, CLUTCH BEARING, BIG TWIN 1990-1999
8	A-37906-90	37906-90 each	BEARING, CLUTCH HUB ASSEMBLY, **5-SPEED** BIG TWIN 1990-2010
9	A-37908-90	37908-90 pk-5	RETAINING RING, CLUTCH PRESSURE PLATE, BIG TWIN 1990-1997
10	A-37909-90	37909-90 pk-5	RETAINING RING, CLUTCH PRESSURE PLATE, BIG TWIN 1990-PRES.
11	A-37911-90	37911-90 set-8	CLUTCH PLATE, (FRICTION ) BIG TWIN 1990-1997
12	A-37912-91	37912-91 each	CLUTCH PRESSURE PLATE (ALUMINUM) BIG TWIN 1991-1997
13	A-37913-90	37913-90 each	CLUTCH PLATE, (STEEL) BIG TWIN 1990-1997
14	A-37977-90	37977-90 each	CLUTCH SPRING SEPARATOR PLATE, BIG TWIN 1990-1997

**\*\*SEE PAGES 260, 261 FOR PUSHRODS AND PUSH ROD KITS\*\***

# \*\*EASTERN MOTORCYCLE PARTS\*\*

## \*\*CLUTCH\*\*

### \*\*BIG TWIN 1998-PRESENT\*\*



**SEE PAGES  
260, 261 FOR  
PUSHRODS AND  
PUSH ROD KITS**

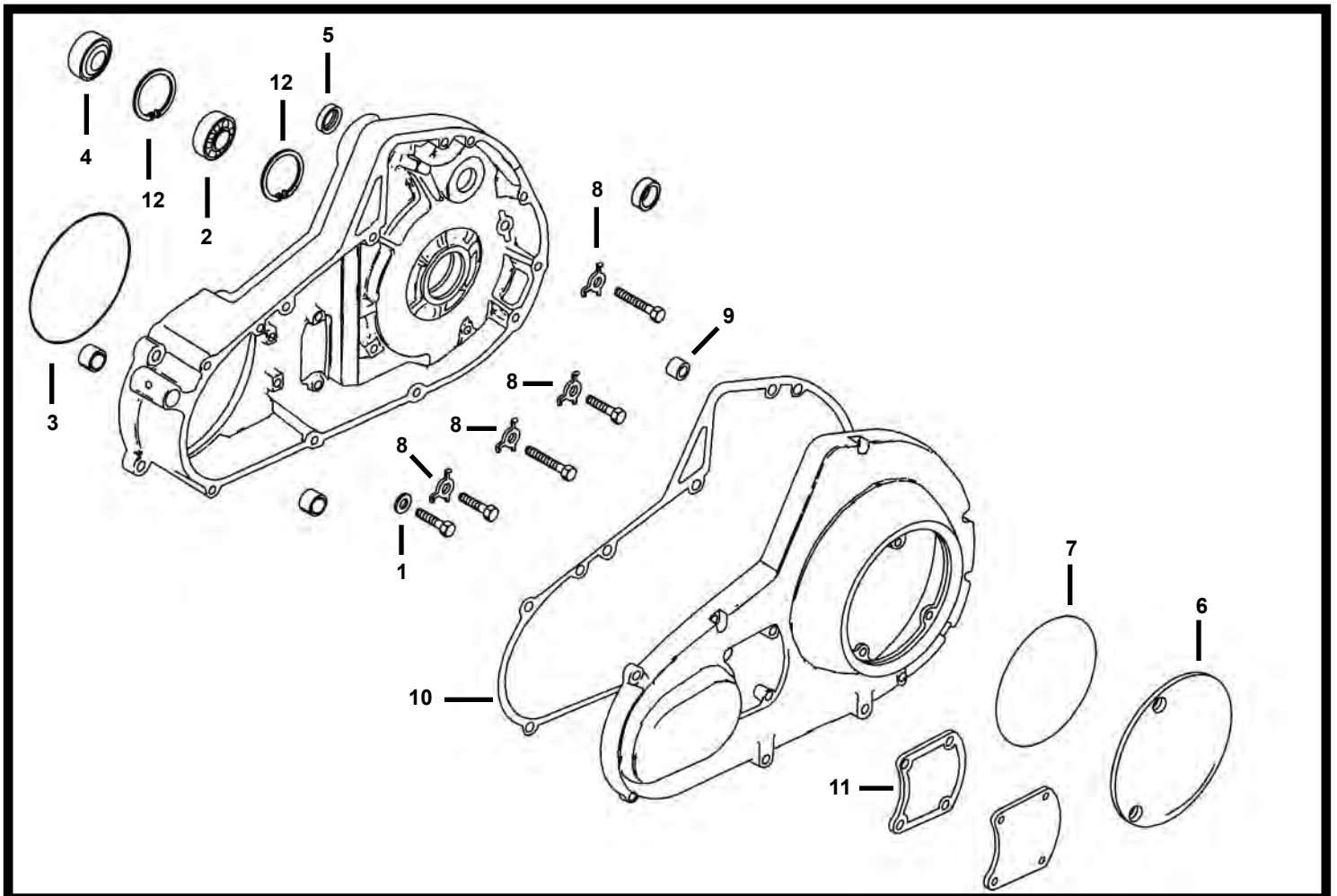
DIAGRAM NUMBER	EASTERN NUMBER	REPLACES OEM	DESCRIPTION
1	A-7848W	7848W	pk-10 LOCK NUT **7/16-20 THREAD** BIG TWIN 1984-PRESENT
2	A-11096	11096	pk-10 RETAINING RING (3/4 RING) BIG TWIN 1975-PRESENT
	A-11096A		pk-10 RETAINING RING (FULL CLIP) BIG TWIN 1975-PRESENT
3	A-37069-90	37069-90	each PUSH ROD END, (RIGHT SIDE) **5-SPEED** BIG TWIN 1991-PRESENT
4	A-37088-90	37088-90	each CLUTCH PUSH ROD, **5-SPEED** BIG TWIN 1990-PRESENT
	A-37092-06	37092-06	each CLUTCH PUSH ROD, **5-SPEED** (DYNA) BIG TWIN 2006-PRESENT
5	A-37090-98	37090-98	each PUSH ROD END, (LEFT SIDE) **5-SPEED** BIG TWIN 1998-PRESENT
6	A-37312-75	37312-75	each BEARING, CLUTCH PUSH ROD END, BIG TWIN 1975-PRESENT
7	A-37312-KIT	kit	BEARING KIT, BIG TWIN 1975-PRESENT KIT INCLUDES: (1) 11096A, (1) 37312-75, (2) 37313-80
8	A-37313-80	37313-80	pk-5 THRUST WASHER, CLUTCH PUSH ROD END, BIG TWIN 1975-PRESENT
9	A-37496-90	37496-90	each NUT, CLUTCH HUB, BIG TWIN 1990-PRESENT
10	A-37550-98	37550-98	each CLUTCH HUB, INNER, BIG TWIN 1998-2006
11	A-37871-98	37871-98	each CLUTCH PLATE, SPRING DIAPHRAGM, BIG TWIN 1998-PRESENT
12	A-37903-90	37903-90	each CLUTCH RELEASING PLATE, BIG TWIN 1991-PRESENT
13	A-37904-90	37904-90	pk-5 RETAINING RING, CLUTCH BEARING, BIG TWIN 1990-1999
14	A-37905-90	37905-90	pk-5 RETAINING RING, CLUTCH BEARING, BIG TWIN 1990-1999
	A-37905-00	37905-00	pk-5 RETAINING RING, CLUTCH BEARING, BIG TWIN 2000-PRESENT
15	A-37906-90	37906-90	each BEARING, CLUTCH HUB ASSEMBLY, **5-SPEED** BIG TWIN 1990-2010
	A-37906-11	37906-11	each BEARING, CLUTCH HUB ASSEMBLY, **5-SPEED** BIG TWIN 2011-2017
	* V-13-253	37000168	each BEARING, CLUTCH HUB ASSEMBLY, **6-SPEED** BIG TWIN 2017-PRESENT
16	A-37909-90	37909-90	pk-5 RETAINING RING, CLUTCH PRESSURE PLATE, BIG TWIN 1990-PRES.
17	A-37912-98	37912-98	each CLUTCH PRESSURE PLATE, (ALUMINUM) BIG TWIN 1998-PRESENT
18	41-0100	37913-98	each CLUTCH PRESSURE PLATE, (STEEL) BIG TWIN 1998-PRESENT

**\*5120 HILDA ROAD\* BLACKVILLE, S.C. 29817\* 803-284-3304\***

# \*\*EASTERN MOTORCYCLE PARTS\*\*

## \*\*PRIMARY HOUSING\*\*

\*\*BIG TWIN 1998-2001\*\*

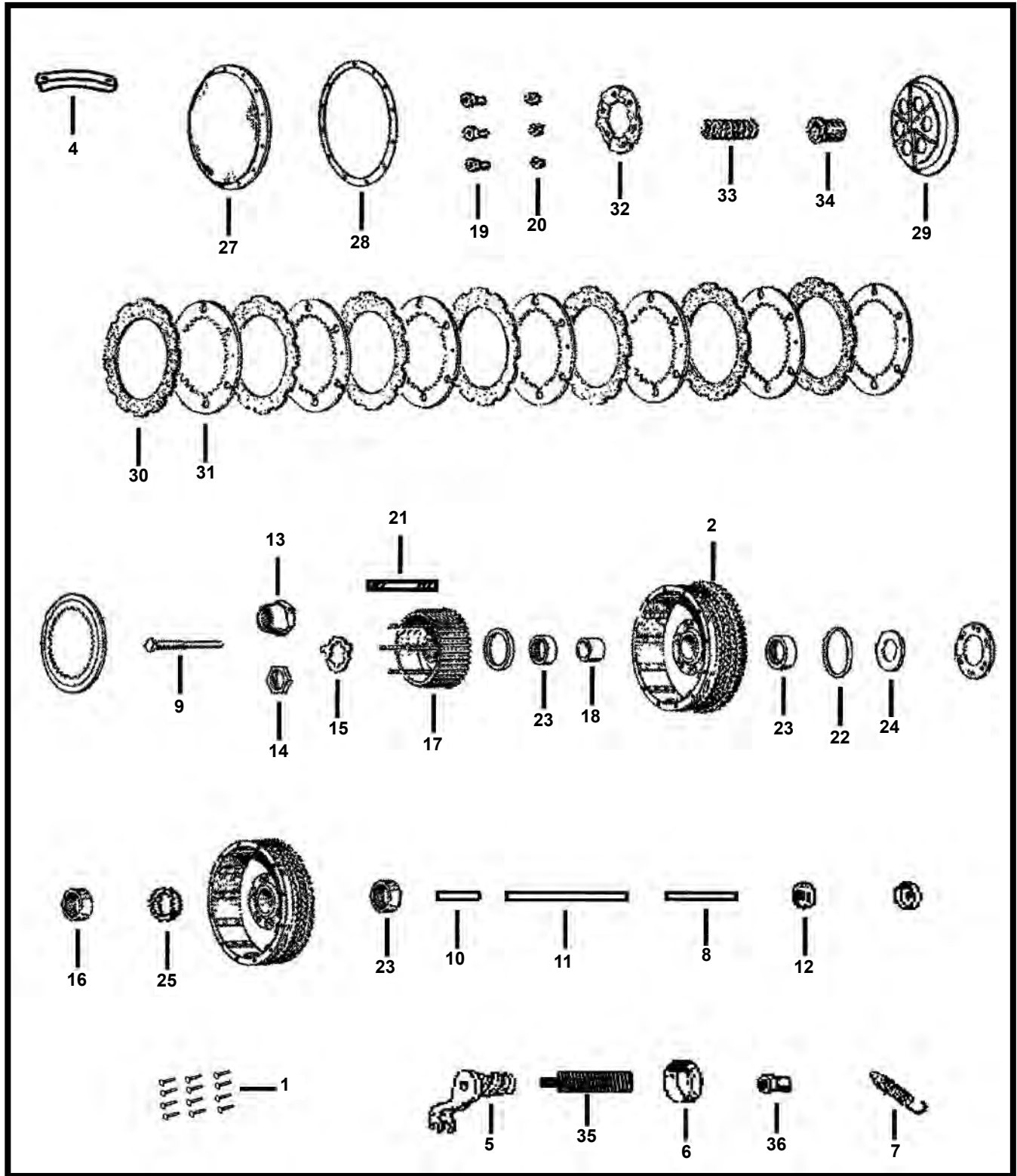


<u>DIAGRAM NUMBER</u>	<u>EASTERN NUMBER</u>	<u>REPLACES OEM</u>	<u>DESCRIPTION</u>
1	A-6016	6016	pk-25 WASHER **11/32 X 11/16 X 1/16" THICK** (ZINC PLATED)
2	A-9135	9135	each BEARING, FRONT CHAIN HOUSING, BIG TWIN L/1984-2005
	43-0207		kit INNER PRIMARY UPGRADE BEARING KIT, BIG TWIN 1990-2006 KIT INCLUDES: DUAL ROW BEARING, 12052 SEAL, 60678-85 RET. RING
3	A-11147	11147	pk-10 O-RING, CHAIN HOUSING COVER, BIG TWIN 1982-2006
4	A-12052	12052	pk-5 OIL SEAL, INNER CHAIN HOUSING, BIG TWIN 1985-PRESENT
5	A-12066	12066	pk-5 OIL SEAL, INNER CHAIN HOUSING, BIG TWIN 1994-PRESENT
6	R-9-1988	25414-70A	each INSPECTION COVER **CHROME** BIG TWIN 1970-2006
7	47-2200	25416-70A	pk-5 GASKETS, DERBY COVER, **FOAMET MATERIAL** BIG TWIN 1970-1998
	A-25416-84	25416-84	pk-10 O-RING, CLUTCH INSPECTION COVER, BIG TWIN 1984-1998
	A-25416-84B	25416-84B	pk-10 O-RING, CLUTCH INSPECTION COVER, **QUAD RING** B/T 1984-1998
	47-2205	25416-99B	pk-5 GASKETS, DERBY COVER, **FOAMET MATERIAL** BIG TWIN 1999-2006
	A-25416-99	25416-99	pk-10 O-RING, CLUTCH INSPECTION COVER, BIG TWIN 1999-2006
8	A-33318-85	33318-85	pk-10 LOCK TAB, INNER PRIMARY COVER, BIG TWIN 1987-2004
9	A-33446-94	33446-94	each BUSHING, INNER PRIMARY COVER, **BRONZE** BIG TWIN 1994-2006
10	L-3-893	34901-94	pk-5 GASKET, PRIMARY COVER **WITH SILICONE BEAD** BIG TWIN 1994-P.
11	L-3-878	34906-85	pk-10 GASKET, INSPECTION COVER, BIG TWIN 1985-PRESENT
12	A-60678-85	60678-85	pk-10 RETAINING RING, INNER PRIMARY COVER, BIG TWIN 1985-PRESENT

# \*\*EASTERN MOTORCYCLE PARTS\*\*

## \*\*CLUTCH\*\*

\*\*SPORTSTER 1954-1970\*\*



\*\*CONTINUED NEXT PAGE\*\*

\*5120 HILDA ROAD\* BLACKVILLE, S.C. 29817\* 803-284-3304\*



# **\*\*EASTERN MOTORCYCLE PARTS\*\***

## **\*\*CLUTCH\*\***

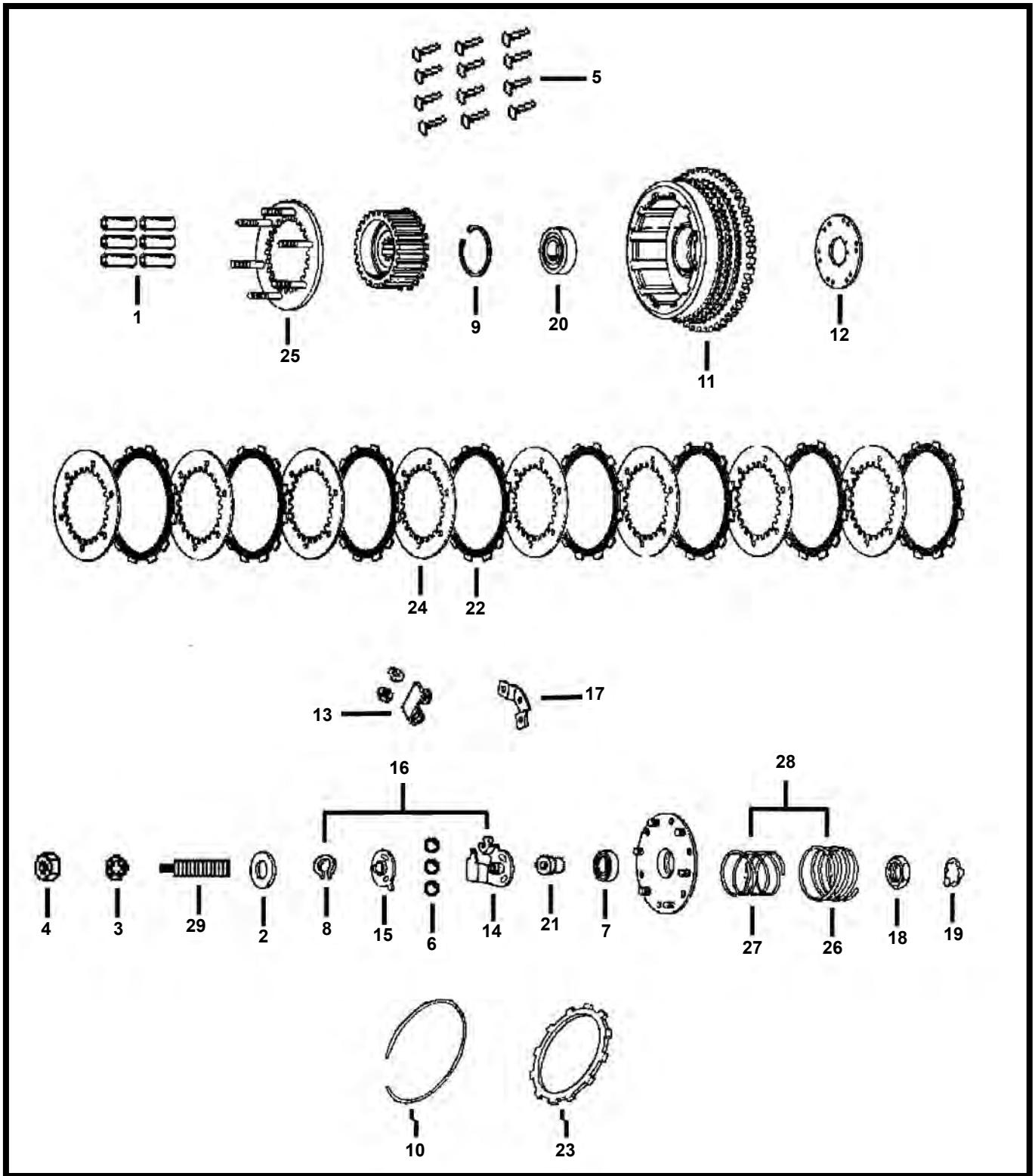
### **\*\*SPORTSTER 1954-1970\*\***

<u>DIAGRAM NUMBER</u>	<u>EASTERN NUMBER</u>	<u>REPLACES OEM</u>		<u>DESCRIPTION</u>
1	A-8215	8215	pk-12	RIVETS, RATCHET PLATE, **13/16 LONG** SPORTSTER 1954-1970
	A-8215-100	8215	pk-100	RIVETS, RATCHET PLATE, **13/16 LONG** SPORTSTER 1954-1970
2	A-33162-67	33162-67	each	STARTER RING GEAR, SPORTSTER 1967-1979
4	A-34897-53	34897-53	each	SCREW RETAINERS, CLUTCH COVER DOME, SPORTSTER 1954-1970
5	A-37201-54	37201-54	each	CLUTCH RELEASE WORM & LEVER, SPORTSTER 1954-1970
6	A-37210-47	37210-47	each	COVER, RELEASING WORM, SPORTSTER 1954-1970
7	A-37222-52	37222-52	each	SPRING, CLUTCH WORM LEVER, SPORTSTER 1954-1990
8	A-37276-53	37276-53	each	CLUTCH RELEASING ROD, **RIGHT/CENTER** SPORTSTER 1954-'70
9	A-37279-56	37279-56	each	CLUTCH RELEASING ROD, **LEFT SIDE** SPORTSTER 1956-1969
	A-37279-67	37280-67	each	CLUTCH RELEASING ROD, **LEFT SIDE** SPORTSTER 1967-1970
	A-37279-80		kit	CLUTCH RELEASING KIT, SPORTSTER 1956-1969
				<b>KIT INCLUDES: (1) 37276-53, (1) 37279-56, (1) 37281-47, (1) 37282-53</b>
	A-37280-80		kit	CLUTCH RELEASING KIT, SPORTSTER 1967-1970
				<b>KIT INCLUDES: (1) 37276-53, (1) 37279-67, (1) 37281-47, (1) 37282-53</b>
10	A-37281-47	37281-47	each	CLUTCH RELEASING ROD, **LEFT/CENTER** SPORTSTER 1954-1970
11	A-37282-53	37282-53	each	CLUTCH RELEASING ROD, **CENTER** SPORTSTER 1954-1970
12	A-37339-53	37339-53	pk-10	OIL SEAL, CLUTCH RELEASING ROD, SPORTSTER 1954-1970
13	A-37526-56A	37526-56A	each	NUT, CLUTCH HUB, SPORTSTER 1956-1969
14	A-37527-67	37527-67	each	NUT, CLUTCH HUB, SPORTSTER 1967-1984
15	A-37533-52A	37533-52A	pk-10	LOCK TAB, CLUTCH HUB NUT, SPORTSTER 1954-1984
16	A-37535-52	37535-52	each	SPACER, CLUTCH HUB BEARING RACE, SPORTSTER 1954-1970
17	A-37556-57B	37556-57B	each	CLUTCH HUB WITH STUDS, SPORTSTER 1957-1969
18	A-37568-67	37568-67	each	SPACER, CLUTCH HUB DRUM, **1.047** SPORTSTER 1967-1970
19	A-37581-52	37581-52	pk-3	NUTS, CLUTCH HUB STUDS, (LARGE) SPORTSTER 1954-1970
20	A-37582-52	37582-52	pk-3	NUTS, CLUTCH HUB STUDS, (SMALL) SPORTSTER 1954-1970
21	A-37584-54	37584-54	set-6	CLUTCH HUB STUDS, **2.835 LONG** SPORTSTER 1954-1963
	A-37584-64	37584-64	set-6	CLUTCH HUB STUDS, **2.700 LONG** SPORTSTER 1964-1966
	A-37584-67	37584-67	set-6	CLUTCH HUB STUDS, **2.500 LONG** SPORTSTER 1967-1970
22	A-37721-54	37721-54	pk-5	WASHER, CLUTCH HUB SPROCKET, SPORTSTER 1954-1970
23	A-37722-52	37722-52	each	BEARING, CLUTCH SPROCKET, SPORTSTER 1954-1970
24	A-37731-52	37731-52	pk-5	WASHER, SPROCKET BEARING, (.095) SPORTSTER 1954-1970
	A-37732-52	37732-52	pk-5	WASHER, SPROCKET BEARING, (.097) SPORTSTER 1954-1970
	A-37733-52	37733-52	pk-5	WASHER, SPROCKET BEARING, (.098) SPORTSTER 1954-1970
	A-37734-52	37734-52	pk-5	WASHER, SPROCKET BEARING, (.101) SPORTSTER 1954-1970
	A-37735-52	37735-52	pk-5	WASHER, SPROCKET BEARING, (.092) SPORTSTER 1954-1970
	A-37735-SET		set-5	WASHER SET, SPROCKET BEARING, (.092-.101) SPORT. 1954-1970
				<b>SET INCL: (1ea) 37731-52, 37732-52, 37733-52, 37734-52, 37735-52</b>
25	A-37740-57	37740-57	pk-5	OIL SEAL, CLUTCH SPROCKET SHELL, SPORTSTER 1967-1969
27	A-37760-52	37760-52	each	CLUTCH COVER DOME, SPORTSTER 1954-1970
28	L-3-866	37762-52	pk-10	GASKET, CLUTCH COVER DOME, SPORTSTER 1954-1970
29	A-37876-52	37876-52	each	CLUTCH RELEASE DISC, SPORTSTER 1952-1970
30	E-423	37985-52A	set-7	CLUTCH DRIVE PLATES, (SET-7) SPORTSTER 1954-1970
31	A-37992-52	37992-52	each	CLUTCH DRIVE PLATES (STEEL) SPORTSTER 1954-1970
32	A-38013-52	38013-52	each	CLUTCH PRESSURE PLATE, (OUTER) SPORTSTER 1954-1970
33	A-38076-52	38076-52	set-6	CLUTCH SPRINGS, FOR SPRING CUPS, SPORTSTER 1954-1970
34	A-38101-52	38101-52	set-6	SPRING CUPS, FOR RELEASE DISC, SPORTSTER 1954-1970
35	A-38130-54	38130-54	pk-5	ADJUSTING SCREW, CLUTCH PUSH ROD, SPORTSTER 1954-1970
36	A-38135-50	38135-50	pk-5	NUT, ADJUSTING SCREW, CLUTCH PUSH ROD, SPORTSTER 1954-'70

# \*\*EASTERN MOTORCYCLE PARTS\*\*

## \*\*CLUTCH\*\*

\*\*SPORTSTER 1971-E/1984\*\*



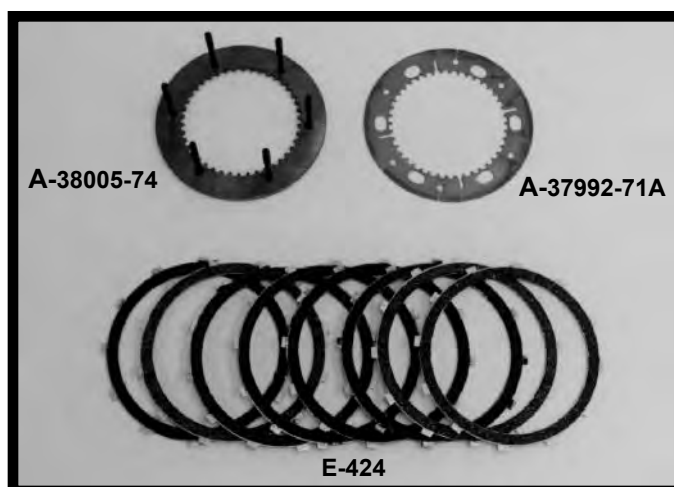
\*\*CONTINUED NEXT PAGE\*\*

# **\*\*EASTERN MOTORCYCLE PARTS\*\***

## **\*\*CLUTCH\*\***

### **\*\*SPORTSTER 1971-E/1984\*\***

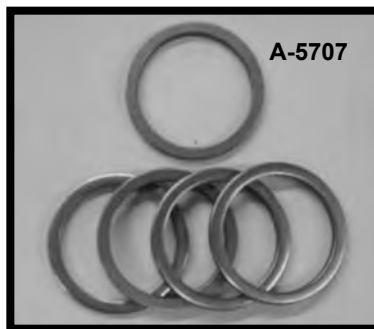
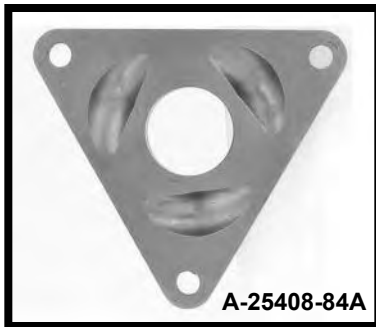
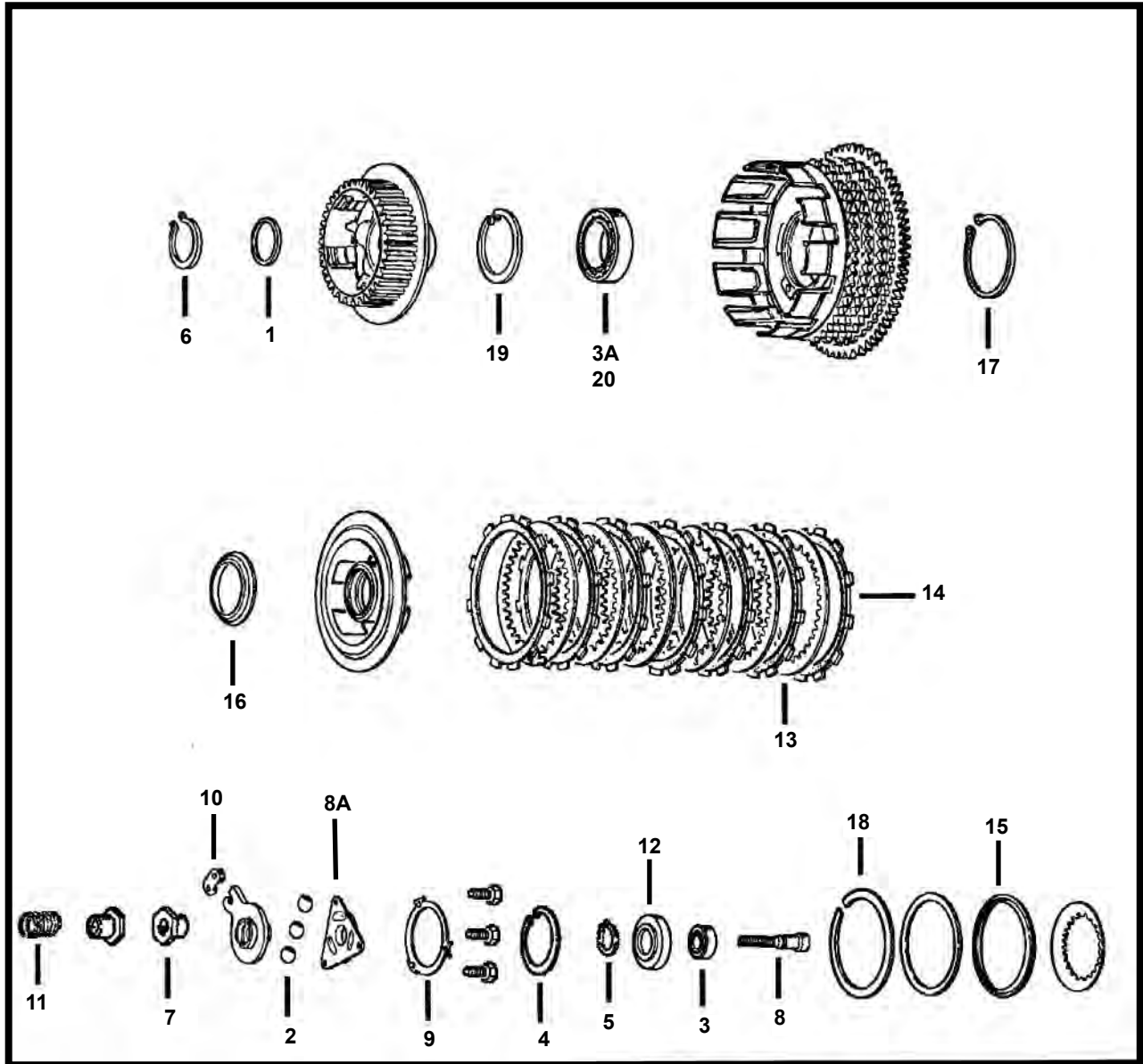
<b>DIAGRAM NUMBER</b>	<b>EASTERN NUMBER</b>	<b>REPLACES OEM</b>	<b>DESCRIPTION</b>
1	A-5995	5995	set-6 SPACER, CLUTCH HUB (1.530 LONG) SPORTSTER 1974-1984
	A-5996	5996	set-6 SPACER, CLUTCH HUB (1.490 LONG) SPORTSTER 1974-1984
	A-5997	5997	set-6 SPACER, CLUTCH HUB (1.450 LONG) SPORTSTER 1974-1984
2	A-6860	6860	pk-10 WASHER, OUTER CLUTCH RAMP, SPORTSTER 1971-1984
3	35-0236	7130W	pk-100 LOCK WASHER, (3/8 INTERNAL) <b>**ZINC PLATED**</b>
4	A-7803	7803	pk-5 NUT, CLUTCH ADJUSTING SCREW, SPORTSTER 1971-E/1984
5	A-8216	8216	pk-12 RIVETS, RATCHET PLATE, (7/16 LONG) SPORTSTER 1971-1975
	A-8216-100	8216	pk-100 RIVETS, RATCHET PLATE, (7/16 LONG) SPORTSTER 1971-1975
6	A-8860	8860	pk-12 BALL BEARING, CLUTCH RAMP (5/16 DIA) SPORTSTER 1952-1981
7	A-9073	9073	each BEARING, CLUTCH RELEASE DISC, SPORTSTER 1971-E/1984
8	A-11005	11005	pk-10 RETAINING RING, CLUTCH ADJUSTING SCREW, SPORT. 1971-1984
9	A-11052	11052	pk-10 RETAINING RING, CLUTCH HUB BEARING, SPORTSTER 1971-1984
10	A-11053	11053	pk-10 RETAINING RING, CLUTCH SHELL, SPORTSTER 1971-1984
11	A-33162-67	33162-67	each STARTER RING GEAR, ( <b>ONLY</b> ) SPORTSTER 1967-1979
12	W-14-189	33379-71A	each RATCHET PLATE, SPORTSTER 1971-1979
13	A-34920-71	34920-71	each COUPLING, CLUTCH CABLE TO RAMP, SPORTSTER 1971-E/1984
14	A-37202-71A	37202-71A	each CLUTCH RAMP, (INNER) SPORTSTER 1971-1985
15	A-37203-71A	37203-71A	each CLUTCH RAMP, (OUTER) SPORTSTER 1971-1985
16	A-37204-KIT		kit CLUTCH RAMP KIT, (INNER & OUTER) SPORTSTER 1971-1985 <b>KIT INCLUDES: (3) 8860, (1) 11005, (1) 37202-71A, (1) 37203-71A</b>
17	A-37499-71	37499-71	set-6 RETAINERS, CLUTCH RELEASE DISC, SPORTSTER 1971-1985
18	A-37527-67	37527-67	each NUT, CLUTCH HUB, SPORTSTER 1967-1984
19	A-37533-52A	37533-52A	pk-10 LOCK TAB, CLUTCH HUB NUT, SPORTSTER 1954-1984
20	A-37722-71	37722-71	each BEARING, CLUTCH SPROCKET SHELL, SPORTSTER 1971-1984
21	A-37879-71	37879-71	each THRUST BEARING COLLAR, SPORTSTER 1971-1984
22	E-424	37985-71	set-8 CLUTCH DRIVE PLATES, SPORTSTER 1971-1984
23	A-37987-71	37987-71	each FRICTION DRIVE PLATE (OUTER) SPORTSTER 1971-E/1984
24	A-37992-71A	37992-71A	each CLUTCH DRIVE PLATE (STEEL) SPORTSTER 1971-E/1984
25	A-38005-74	38005-74	each CLUTCH BACKING PLATE, SPORTSTER 1971-E/1984
26	A-38079-72	38079-72	each SPRING, RELEASING DISC (OUTER) SPORTSTER 1971-1984
	A-38080-90		each SPRING, RELEASING DISC <b>**HEAVY DUTY**</b> SPORTSTER 1971-1984 (THIS 1-PIECE SPRING IS A THICKER GAUGE WIRE)
27	A-38080-71	38080-71	each SPRING, RELEASING DISC (INNER) SPORTSTER 1971-1984
28	A-38080-SET		set SPRING SET, RELEASING DISC, SPORTSTER 1971-1984 <b>SET INCLUDES: (1) 38079-72, (1) 38080-71</b>
29	A-38130-71	38130-71	pk-5 SCREW, CLUTCH PUSH ROD, SPORTSTER 1971-1984



# \*\*EASTERN MOTORCYCLE PARTS\*\*

## \*\*CLUTCH\*\*

\*\*SPORTSTER LATE 1984-1990\*\*



**\*\*CONTINUED NEXT PAGE\*\***

**\*5120 HILDA ROAD\* BLACKVILLE, S.C. 29817\* 803-284-3304\***

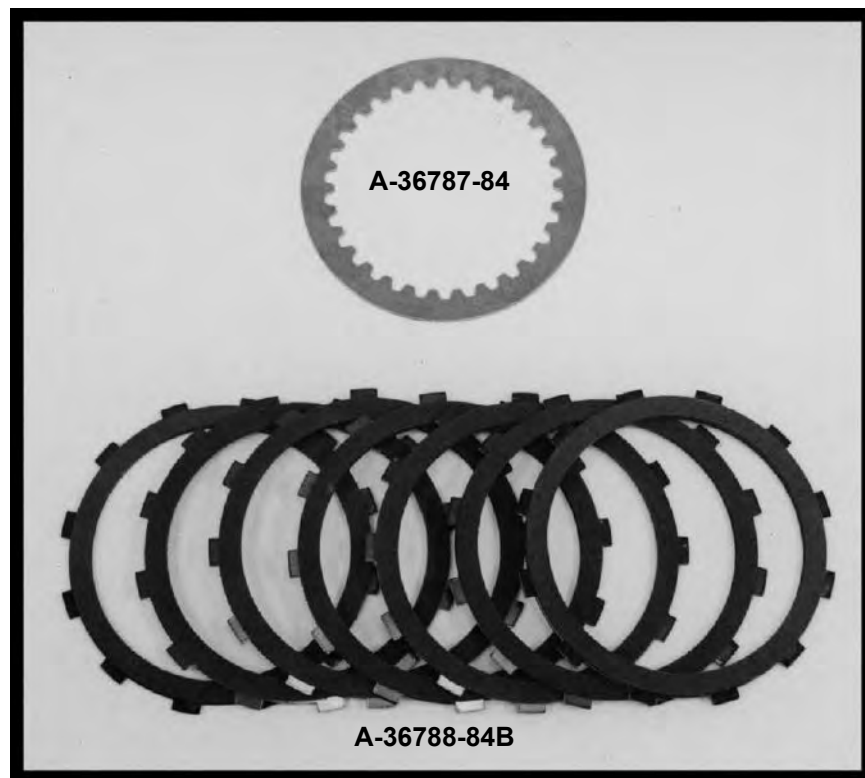
**\*Pg 250\***

# **\*\*EASTERN MOTORCYCLE PARTS\*\***

## **\*\*CLUTCH\*\***

### **\*\*SPORTSTER LATE 1984-1990\*\***

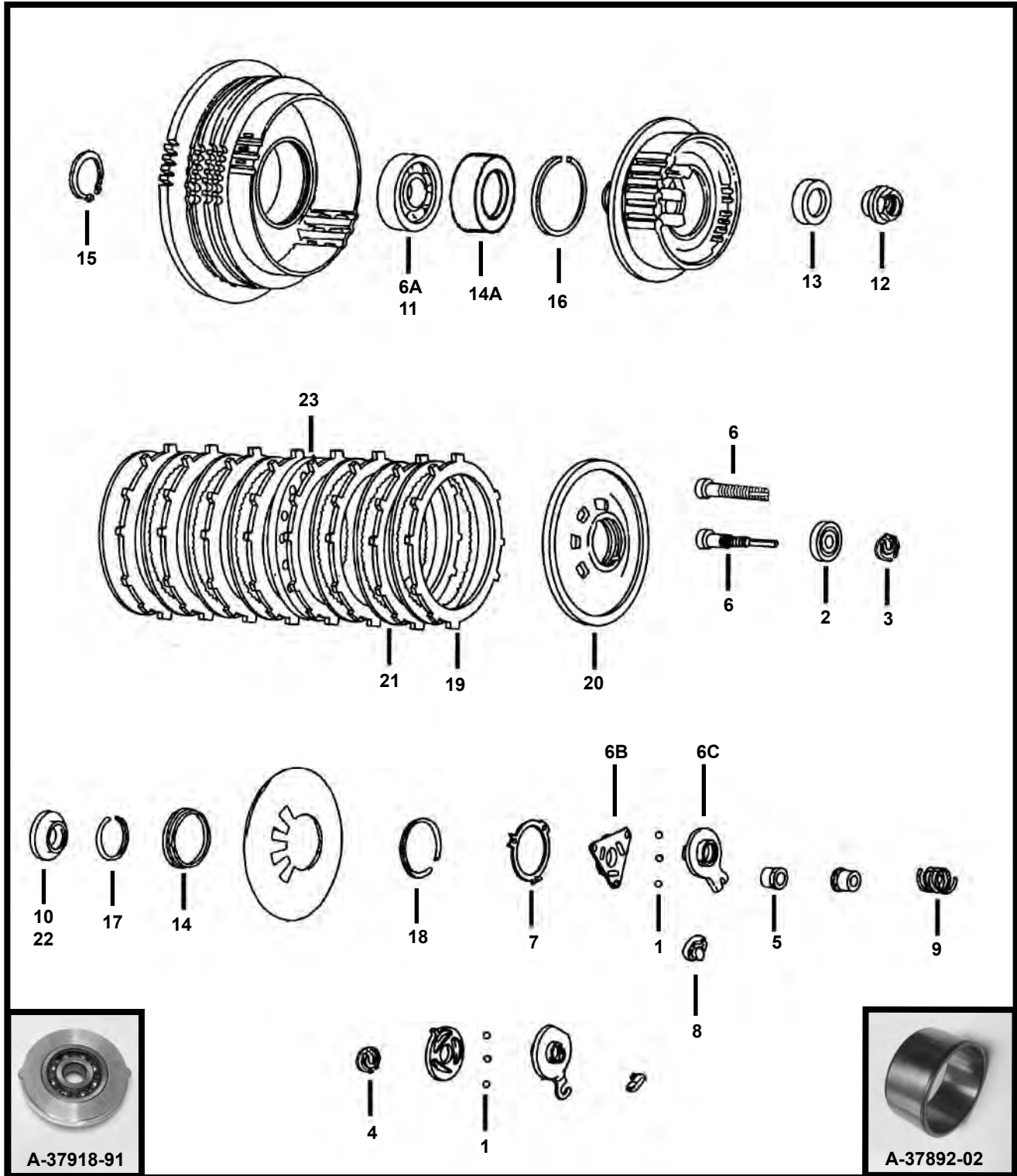
<b>DIAGRAM NUMBER</b>	<b>EASTERN NUMBER</b>	<b>REPLACES OEM</b>	<b>DESCRIPTION</b>
1	A-5707	5707	pk-5 SPACER, CLUTCH HUB, SPORTSTER L/1984-1990
2	A-8873	8873	pk-25 BALL BEARING, **3/8" DIAMETER** SPORTSTER 1937-PRESENT
3	A-8885	8885	each BEARING, ADJUSTMENT SCREW, SPORTSTER L/1984-1990
3A	42-0150	9214	each BEARING, FOR INNER RACE, SPORTSTER 2009-PRESENT
4	A-11045	11045	pk-10 RETAINING RING, CLUTCH BEARING GUIDE, SPORT. L/1984-1990
5	A-11046	11046	pk-10 RETAINING RING, CLUTCH ADJ. SCREW, SPORTSTER L/1984-PRES.
6	A-11164	11164	pk-10 RETAINING RING, CLUTCH HUB BEARING, SPORTSTER L/1984-1990
7	A-11730A	11730A	pk-5 NUT, CLUTCH ADJUSTING SCREW, SPORTSTER L/1984-PRESENT
8	A-11735B	11735B	each SCREW, CLUTCH ADJUSTMENT, SPORTSTER L/1984-1993
8A	A-25408-84A	25408-84A	each CLUTCH RAMP, (INNER) SPORTSTER 1984-1993
9	A-25448-84	25448-84	pk-10 LOCK TAB, CLUTCH RAMP, SPORTSTER L/1984-1993
10	A-34920-86	34920-86	each COUPLING, CLUTCH CABLE, SPORTSTER 1986-PRESENT
11	A-36715-84	36715-84	pk-10 SPRING, CLUTCH ADJUSTMENT, SPORTSTER L/1984-1993
12	A-36730-84	36730-84	each BEARING GUIDE, SPORTSTER L/1984-1990
13	A-36787-84	36787-84	each CLUTCH DRIVE PLATE, **STEEL** (5-USED) SPORT. L/1984-1990
14	A-36788-84	36788-84	set-7 CLUTCH FRICTION DISC, **IMPORTED** SPORTSTER L/1984-1990
	A-36788-84B	36788-84	set-7 CLUTCH FRICTION DISC, **U.S.A.** SPORTSTER L/1984-1990
15	A-36793-84	36793-84	pk-5 CLUTCH SEAT SPRING **CENTER** SPORTSTER L/1984-1990
16	A-36794-84	36794-84	pk-5 CLUTCH SEAT SPRING **INNER** SPORTSTER L/1984-1990
16	A-36795-84	36795-84	pk-10 RETAINING RING, CLUTCH HUB SHELL, SPORTSTER L/1984-1990
18	A-36797-84	36797-84	pk-10 RETAINING RING, CLUTCH PRESSURE PLATE, SPORT. L/1984-1990
19	A-36798-84	36798-84	pk-10 RETAINING RING, CLUTCH HUB, SPORTSTER L/1984-1990
20	A-36799-84	36799-84	each BEARING, CLUTCH SHELL, SPORTSTER L/1984-1990



# \*\*EASTERN MOTORCYCLE PARTS\*\*

## \*\*CLUTCH\*\*

\*\*SPORTSTER 1991-PRESENT\*\*



\*\*CONTINUED NEXT PAGE\*\*

\*5120 HILDA ROAD\* BLACKVILLE, S.C. 29817\* 803-284-3304\*

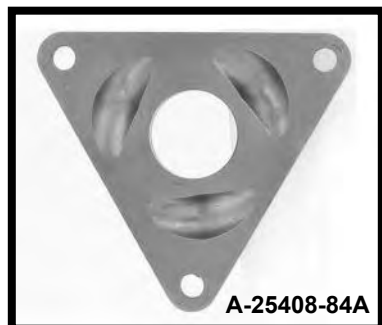
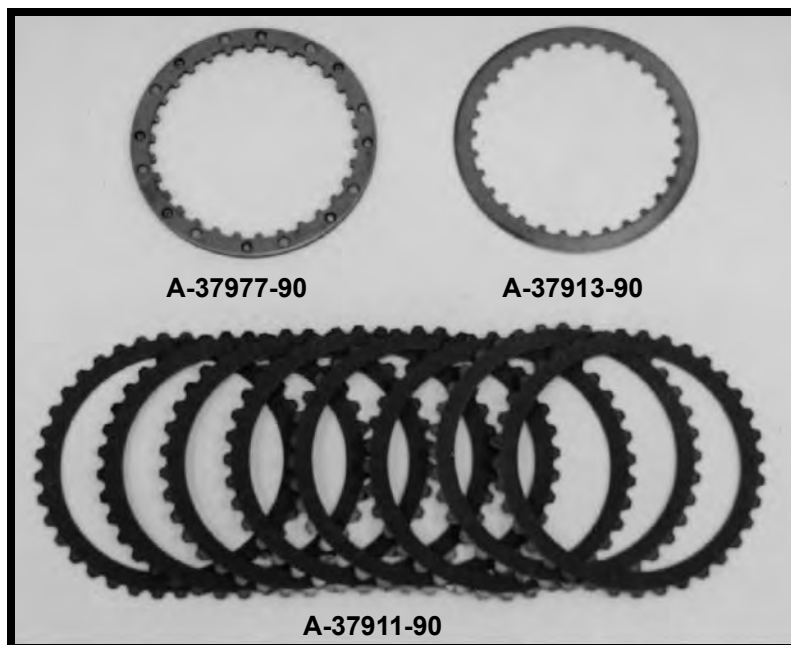
\*Pg 252\*

# **\*\*EASTERN MOTORCYCLE PARTS\*\***

## **\*\*CLUTCH\*\***

### **\*\*SPORTSTER 1991-PRESENT\*\***

<u>DIAGRAM NUMBER</u>	<u>EASTERN NUMBER</u>	<u>REPLACES OEM</u>		<u>DESCRIPTION</u>
1	A-8873	8873	pk-25	BALL BEARING, CLUTCH RAMP, (3/8" DIAMETER) SPORT. 1991-1997
2	A-8885	8885	each	BEARING, CLUTCH ADJUSTMENT SCREW, SPORTSTER 1984-PRES.
3	A-11046	11046	pk-10	RETAINING RING, CLUTCH ADJUSTING SCREW, SPORT. 1984-PRES.
4	A-11250	11250	pk-10	RETAINING RING, CLUTCH RAMP, SPORTSTER 1994-PRESENT
5	A-11730A	11730	pk-5	NUT, CLUTCH ADJUSTING SCREW, SPORTSTER 1984-PRESENT
6	A-11735B	11735B	each	SCREW, CLUTCH ADJUSTMENT, SPORTSTER 1984-1994
	A-11752	11752	each	SCREW, CLUTCH ADJUSTMENT, SPORTSTER 1994-2003
	A-11765Y	11765Y	each	SCREW, CLUTCH ADJUSTMENT, SPORTSTER 2004-PRESENT
6A	42-0150	9214	each	BEARING, FOR INNER RACE, SPORTSTER 2009-PRESENT
6B	A-25408-84A	25408-84A	each	CLUTCH RAMP, (INNER) SPORTSTER 1984-1993
6C	A-25409-94B	25409-94B	each	CLUTCH RAMP, (OUTER) SPORTSTER 1994-PRESENT
7	A-25448-84	25448-84	pk-10	LOCK TAB, CLUTCH RAMP, SPORTSTER 1984-1994
8	A-34920-86	34920-86	each	COUPLING, CLUTCH CABLE, SPORTSTER 1986-PRESENT
9	A-36715-84	36715-84	pk-10	SPRING, CLUTCH ADJUSTMENT, SPORTSTER 1984-1994
	A-36715-94	36715-94	pk-10	SPRING, CLUTCH ADJUSTMENT, SPORTSTER 1994-PRESENT
10	A-36731-91	36731-91	each	BEARING GUIDE, CLUTCH SCREW <b>(WITHOUT BEARING)</b> SP. 1991-P.
11	A-36799-91	36799-91	each	BEARING, CLUTCH SHELL, SPORTSTER 1991-PRESENT
12	A-37495-91	37495-91	each	NUT, MAINSHAFT, SPORTSTER 1991-PRESENT
13	A-37870-91	37870-91	each	SPRING WASHER, CLUTCH HUB AND MAINSHAFT, SPORT. 1991-P.
14	A-37872-90	37872-90	each	SPRING SEAT, INNER CLUTCH, SPORTSTER 1991-PRESENT
14A	A-37892-02	37892-02	each	INNER RACE, CLUTCH HUB, SPORTSTER 2009-P. <b>**MADE IN USA**</b>
15	A-37904-90	37904-90	pk-5	RETAINING RING, CLUTCH BEARING, SPORTSTER 1991-PRESENT
16	A-37905-90	37905-90	pk-5	RETAINING RING, CLUTCH BEARING, SPORTSTER 1991-PRESENT
17	A-37908-90	37908-90	pk-5	RETAINING RING, CLUTCH PRESSURE PLATE, SPORTSTER 1991-P.
18	A-37909-90	37909-90	pk-5	RETAINING RING, CLUTCH PRESSURE PLATE, SPORT. 1991-PRES.
19	A-37911-90	37911-90	set-8	CLUTCH FRICTION PLATES, SPORTSTER 1991-PRESENT
20	A-37912-91	37912-91	each	CLUTCH PRESSURE PLATE (ALUMINUM) SPORTSTER 1991-PRES.
21	A-37913-90	37913-90	each	CLUTCH DRIVE PLATE, (STEEL) SPORTSTER 1991-PRESENT
22	A-37918-91	37918-91	each	RELEASE PLATE <b>(WITH BEARING)</b> SPORTSTER 1991-PRESENT
23	A-37977-90	37977-90	each	CLUTCH SEPARATOR PLATE, SPORTSTER 1991-PRESENT

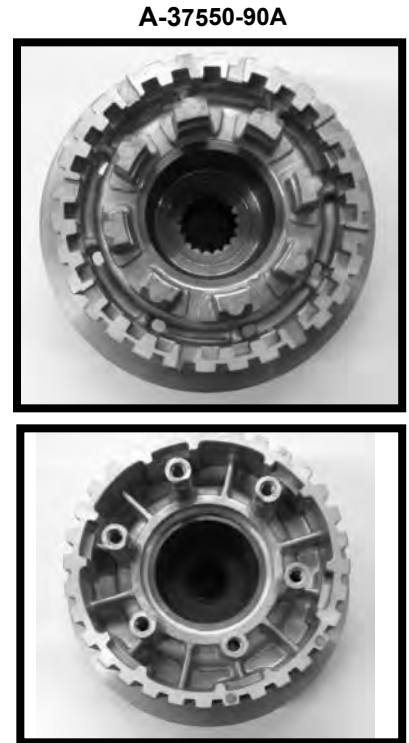
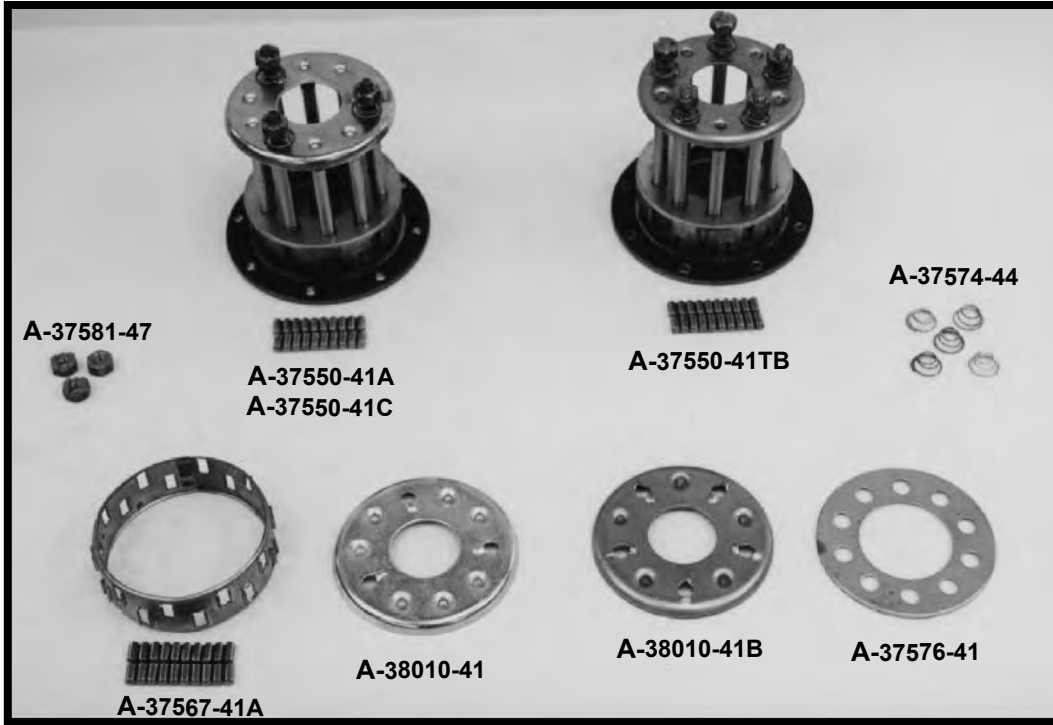


# **\*\*EASTERN MOTORCYCLE PARTS\*\***

## **\*\*CLUTCH HUBS\*\***

### **\*\*AND RELATED PARTS\*\***

#### **\*\*BIG TWIN-SPORTSTER\*\***



<u>EASTERN NUMBER</u>	<u>REPLACES OEM</u>		<u>DESCRIPTION</u>
A-37550-41A	37550-41A	each	CLUTCH HUB, <b>**ONLY**</b> , (3-STUD) BIG TWIN 1936-1984 <b>CLUTCH HUB DOES NOT INCLUDE: RETAINER, BEARINGS, PLATE, NUTS OR SPRINGS</b>
A-37550-41C	37550-41C	each	CLUTCH HUB, <b>**COMPLETE**</b> (3-STUD) BIG TWIN 1936-1984 <b>CLUTCH HUB DOES INCLUDE: RETAINER, BEARINGS, PLATE, NUTS &amp; SPRINGS</b>
A-37550-41TB	37550-41TB	each	CLUTCH HUB, <b>**COMPLETE**</b> (5-STUD) BIG TWIN 1936-1984 <b>CLUTCH HUB DOES INCLUDE: RETAINER, BEARINGS, PLATE, NUTS &amp; SPRINGS</b>
A-37550-84A	37550-84A	each	CLUTCH HUB, <b>**INNER**</b> BIG TWIN L/1984-1989
A-37550-90A	37550-90A	each	CLUTCH HUB, <b>**INNER**</b> BIG TWIN 1990-1997
A-37550-98	37550-98	each	CLUTCH HUB, INNER, BIG TWIN 1998-2006
A-37567-41A	36567-41A	kit	CLUTCH HUB RETAINER WITH BEARINGS, BIG TWIN 1936-1984
A-37574-44	37574-44	pk-10	CLUTCH HUB SPRINGS, BIG TWIN 1936-1984
A-37576-41	37576-41	each	CLUTCH HUB BEARING PLATE PLATE, BIG TWIN 1936-1984
A-37581-47	37581-47	set-3	CLUTCH HUB NUTS, BIG TWIN 1936-1984
A-38010-41	38010-41	each	CLUTCH HUB PRESSURE PLATE, (3-STUD) BIG TWIN 1936-1984
A-38010-41B	38010-41B	each	CLUTCH HUB PRESSURE PLATE, (5-STUD) BIG TWIN 1936-1984

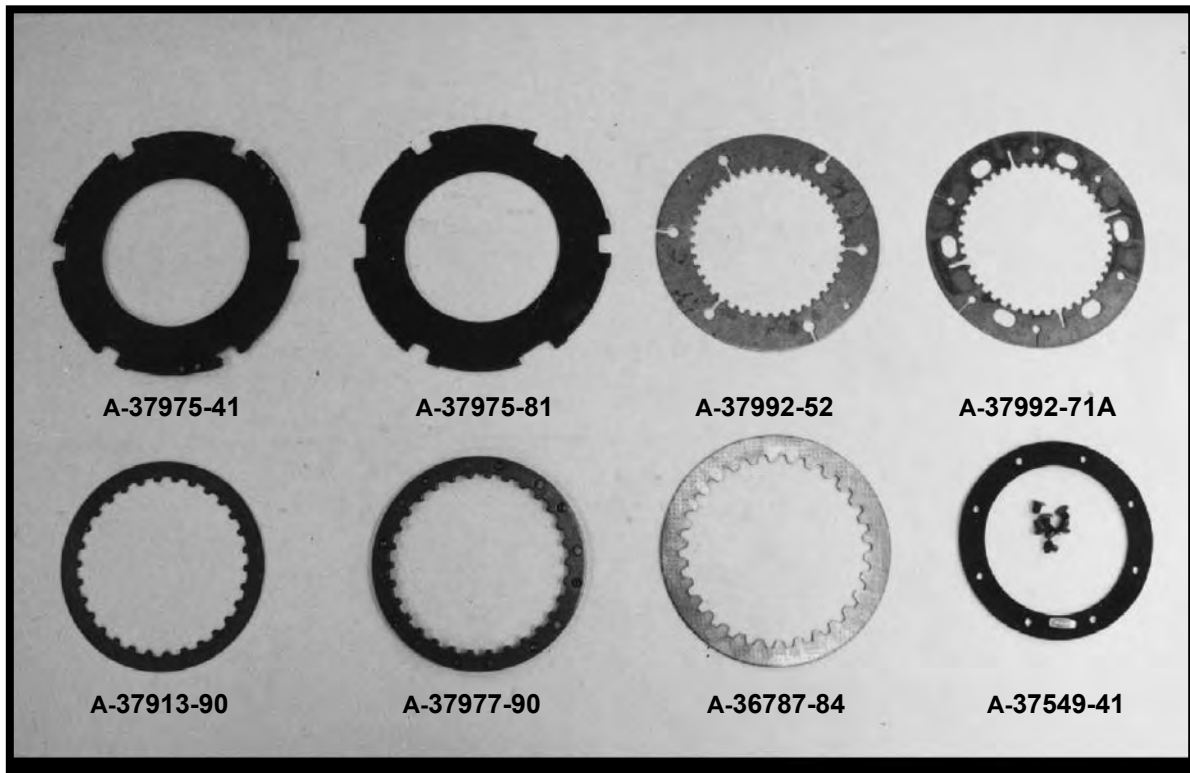
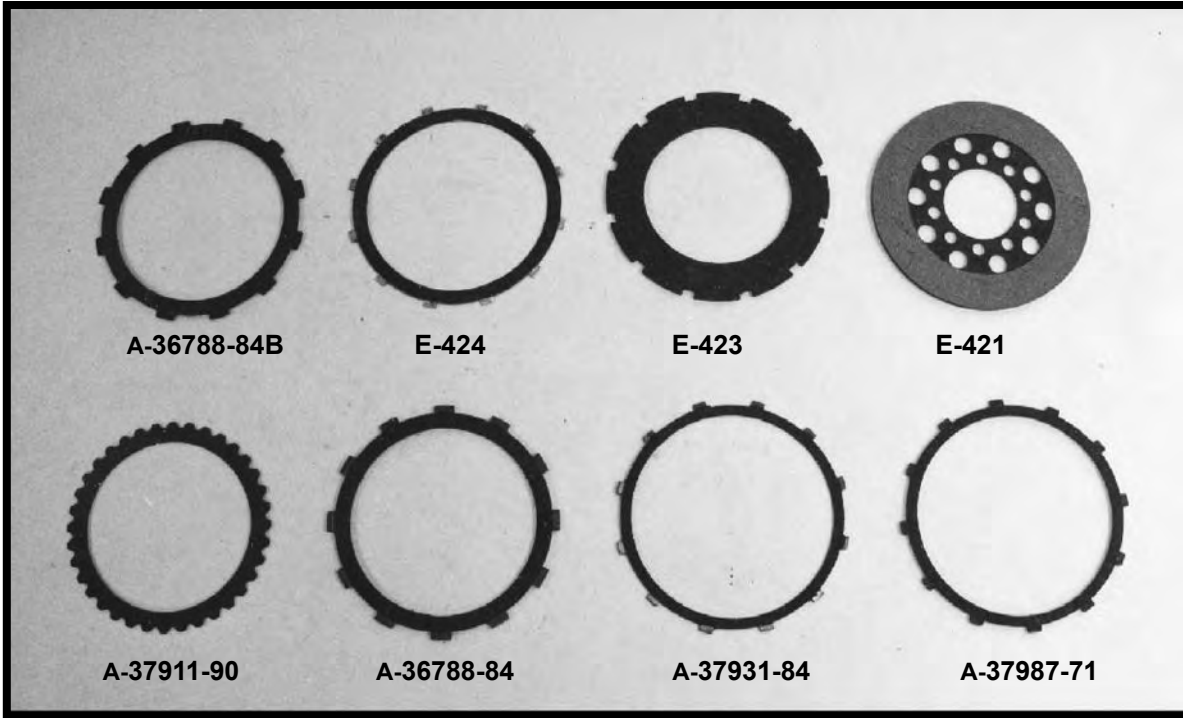


**\*\*EASTERN MOTORCYCLE PARTS\*\***

**\*\*CLUTCH PLATES\*\***

**\*\*FRICTION AND STEEL\*\***

**\*\*BIG TWIN-SPORTSTER\*\***



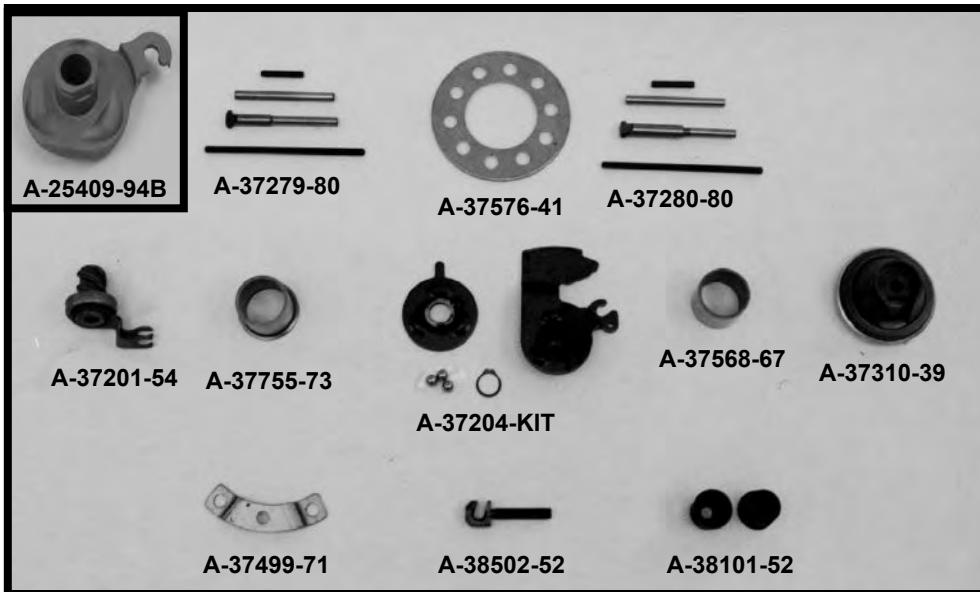
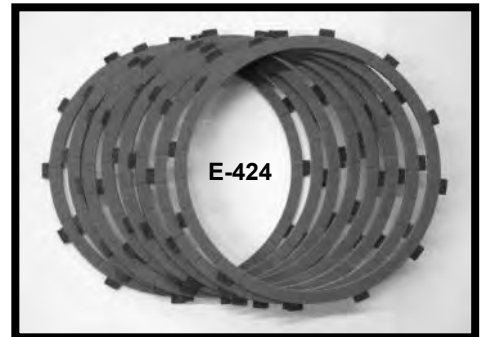
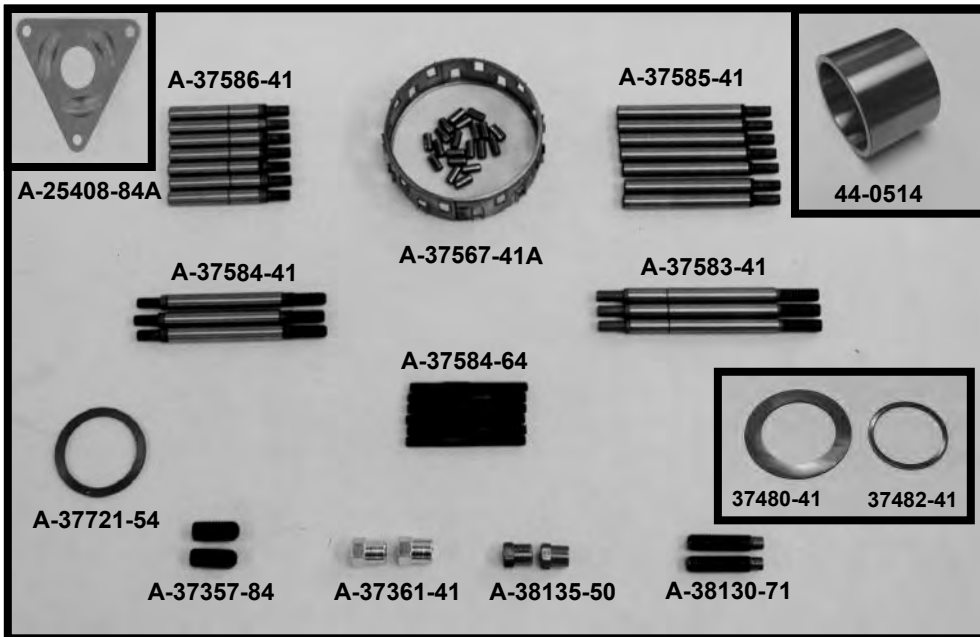
**\*\*CONTINUED ON NEXT PAGE\*\***

**\*5120 HILDA ROAD\* BLACKVILLE, S.C. 29817\* 803-284-3304\***

# \*\*EASTERN MOTORCYCLE PARTS\*\*

## \*\*CLUTCH RELATED PARTS\*\*

### \*\*BIG TWIN-SPORTSTER\*\*



<u>EASTERN NUMBER</u>	<u>REPLACES OEM</u>	<u>DESCRIPTION</u>
A-5995	5995	set-6 SPACER, CLUTCH STUD (1.530 LONG) SPORTSTER 1974-1984
A-5996	5996	set-6 SPACER, CLUTCH STUD (1.490 LONG) SPORTSTER 1974-1984
A-5997	5997	set-6 SPACER, CLUTCH STUD (1.450 LONG) SPORTSTER 1974-1984
A-11730A	11730A	pk-5 NUT, CLUTCH ADJUSTMENT SCREW, SPORTSTER L/1984-PRESENT
A-11735B	11735B	each CLUTCH ADJUSTMENT SCREW, SPORTSTER L/1984-1993
A-11752	11752	each CLUTCH ADJUSTMENT SCREW, SPORTSTER 1994-PRESENT
A-25408-84A	25408-84A	each CLUTCH RAMP (INNER) SPORTSTER 1984-1993
A-25409-94B	25409-94B	each CLUTCH RAMP (OUTER) SPORTSTER 1984-PRESENT
A-36787-84	36787-84	each CLUTCH DRIVE PLATES, **STEEL** (5 USED) SPORTSTER L/1984-1990
A-36788-84	36788-84	set-7 CLUTCH FRICTION PLATES, SPORTSTER L/1984-1990 <b>**IMPORTED**</b>

# **\*\*EASTERN MOTORCYCLE PARTS\*\***

## **\*\*CLUTCH RELATED PARTS\*\***

### **\*\*BIG TWIN-SPORTSTER\*\***

<u>EASTERN NUMBER</u>	<u>REPLACES OEM</u>	<u>DESCRIPTION</u>
A-36788-84B	36788-84B	set-7 CLUTCH FRICTION PLATES, SPORTSTER L/1984-1990 <b>**MADE IN U.S.A.**</b>
A-36906-36	36906-36	pk-5 WASHER, (SPIDER) FOOT CLUTCH, BIG TWIN -1936-1957, FORTY-FIVE 1937-1973
A-37070-39B	37070-39B	each RELEASE FINGER, <b>**4-SPEED**</b> BIG TWIN 1941-1984
V-13-185	37074-38B	each SHAFT, CLUTCH RELEASE LEVER, <b>**4-SPEED**</b> BIG TWIN 1941-1984
A-37201-54	37201-54	each CLUTCH RELEASE WORM AND LEVER, SPORTSTER 1954-1970
A-37202-71A	37202-71A	each CLUTCH RAMP, (INNER) SPORTSTER 1971-1985
A-37203-71A	37203-71A	each CLUTCH RAMP, (OUTER) SPORTSTER 1971-1985
A-37204-KIT		kit CLUTCH RAMP, (INNER, OUTER & BALLS) SPORTSTER 1971-1985
A-37210-47	37210-47	each COVER, RELEASE WORM, SPORTSTER 1954-1970
A-37222-52	37222-52	pk-10 SPRINGS, CLUTCH WORM LEVER, SPORTSTER 1954-1990
A-37276-53	37276-53	each CLUTCH RELEASE ROD, <b>**RIGHT CENTER**</b> SPORTSTER 1954-1970
A-37279-56	37279-56	each CLUTCH RELEASE ROD, <b>**LEFT SIDE**</b> SPORTSTER 1956-1969
A-37279-67	37279-67	each CLUTCH RELEASE ROD, <b>**LEFT SIDE**</b> SPORTSTER 1967-1970
A-37279-80		kit CLUTCH RELEASE ROD KIT (37276-53,37279-56,37281-47,37282-53) SPORT. 1956-1969
A-37280-80		kit CLUTCH RELEASE ROD KIT (37276-53,37280-67,37281-47,37282-53) SPORT. 1967-1970
A-37281-47	37281-47	each CLUTCH RELEASE ROD, <b>**LEFT CENTER**</b> SPORTSTER 1954-1970
A-37282-53	37282-53	each CLUTCH RELEASE ROD, <b>**CENTER**</b> SPORTSTER 1954-1970
A-37310-39	37310-39	each CLUTCH RELEASE BEARING, BIG TWIN 1939-1975
A-37357-41	37357-41	pk-5 ADJUSTING SCREW, CLUTCH PUSH ROD, BIG TWIN 1941-E/1984
A-37357-84	37357-84	pk-5 ADJUSTING SCREW, CLUTCH PUSH ROD, BIG TWIN L/1984-1990
A-37358-41	37358-41	pk-5 ADJUSTING SCREW, CLUTCH PUSH ROD, FORTY-FIVE 1941-1973
A-37361-41	37361-41	pk-5 NUT, CLUTCH ADJUSTING SCREW, BIG TWIN 1941-E/1984, FORTY-FIVE 1941-1973
A-37480-41	37480-41	pk-5 THRUST WASHER, CLUTCH GEAR, FORTY-FIVE 1941-1973
A-37499-71	37499-71	set-6 RETAINER, CLUTCH RELEASE DISC, SPORTSTER 1971-1975
44-0514	37534-89R	each INNER RACE, CLUTCH HUB <b>**XR-750**</b> 1989-PRESENT <b>**MADE IN USA**</b>
A-37535-52	37535-52	each SPACER, CLUTCH HUB BEARING RACE, SPORTSTER 1952-1969
A-37549-41	37549-41	each CLUTCH HUB LINING AND RIVETS, BIG TWIN 1936-1984
A-37550-41C	37550-41C	each CLUTCH HUB, COMPLETE, BIG TWIN 1936-1984 <b>**IMPORTED**</b>
A-37556-57B	37556-57B	each CLUTCH HUB WITH STUDS, SPORTSTER 1957-1969
A-37567-41A	37567-41A	kit CLUTCH HUB ROLLERS AND RETAINER, BIG TWIN 1936-1984
A-37568-67	37568-67	each SPACER, CLUTCH HUB DRUM, <b>**1.047 LONG**</b> SPORTSTER 1967-1970
A-37581-47	37581-47	set-3 NUTS, CLUTCH HUB STUD, BIG TWIN 1937-1984, FORTY-FIVE 1941-1973
A-37581-52	37581-52	set-3 NUTS, CLUTCH HUB STUD, (LARGE) SPORTSTER 1954-1970
A-37582-52	37582-52	set-3 NUTS, CLUTCH HUB STUD, (SMALL) SPORTSTER 1954-1970
A-37576-41	37576-41	each CLUTCH HUB BEARING PLATE, BIG TWIN 1936-1984
A-37583-41	37583-41	set-3 CLUTCH HUB STUDS, (LONG) BIG TWIN 1941-1984
A-37584-41	37584-41	set-3 CLUTCH HUB STUDS, (LONG) FORTY-FIVE 1941-1973
A-37584-54	37584-54	set-6 CLUTCH HUB STUDS, <b>**2.835 LONG**</b> SPORTSTER 1954-1963
A-37584-64	37584-64	set-6 CLUTCH HUB STUDS, <b>**2.700 LONG**</b> SPORTSTER 1964-1966
A-37584-67	37584-67	set-6 CLUTCH HUB STUDS, <b>**2.500 LONG**</b> SPORTSTER 1967-1970
A-37585-41	37585-41	set-7 CLUTCH HUB STUDS, (SHORT) BIG TWIN 1941-1984
A-37586-41	37586-41	set-7 CLUTCH HUB STUDS, (SHORT) FORTY-FIVE 1941-1973
A-37721-54	37721-54	pk-5 WASHERS, CLUTCH HUB SPROCKET BEARING, SPORTSTER 1954-1970
A-37731-52	37731-52	pk-5 WASHERS, CLUTCH HUB SPROCKET BEARING (.095 THICK) SPORTSTER 1952-1970
A-37732-52	37732-52	pk-5 WASHERS, CLUTCH HUB SPROCKET BEARING (.097 THICK) SPORTSTER 1952-1970
A-37733-52	37733-52	pk-5 WASHERS, CLUTCH HUB SPROCKET BEARING (.098 THICK) SPORTSTER 1952-1970
A-37734-52	37734-52	pk-5 WASHERS, CLUTCH HUB SPROCKET BEARING (.101 THICK) SPORTSTER 1952-1970
A-37735-52	37735-52	pk-5 WASHERS, CLUTCH HUB SPROCKET BEARING (.092 THICK) SPORTSTER 1952-1970
A-37735-SET		set-5 WASHERS, CLUTCH HUB SPROCKET BEARING, SPORTSTER 1952-1970 <b>SET INCLUDES: (1ea) 37731-52, 37732-52, 37733-52, 37734-52, 37735-52</b>
A-37753-76	37753-76	each SPACER, CLUTCH SPROCKET, SPORTSTER 1967-1979
A-37754-74	37754-74	each SPACER, CLUTCH HUB DRUM, (1.047 LONG) SPORTSTER 1957-1970
A-37755-73	37755-73	each SPACER, CLUTCH HUB DRUM, (1.153 LONG) SPORTSTER 1971-1979
A-37760-52	37760-52	each CLUTCH COVER, SPORTSTER 1954-1970

**\*\*CONTINUED ON NEXT PAGE\*\***

**\*5120 HILDA ROAD\* BLACKVILLE, S.C. 29817\* 803-284-3304\***

# **\*\*EASTERN MOTORCYCLE PARTS\*\***

## **\*\*CLUTCH PLATES\*\***

### **\*\*FRICTION AND STEEL\*\***

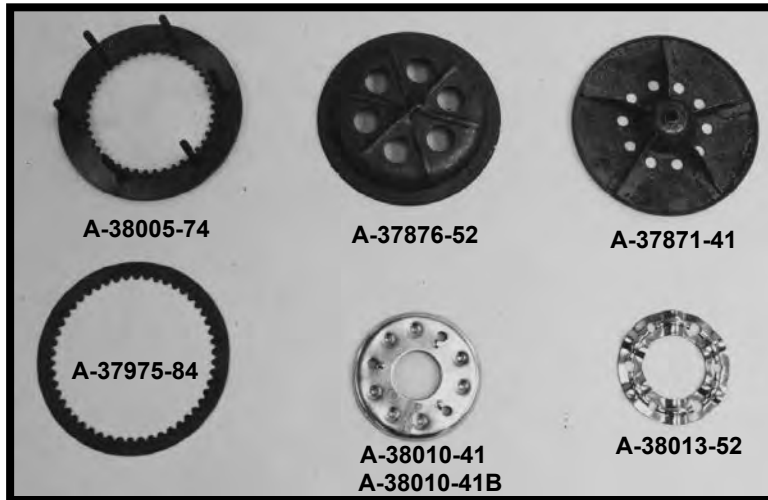
### **\*\*BIG TWIN-SPORTSTER\*\***



A-25408-84A



A-37892-02



A-38005-74

A-37876-52

A-37871-41

A-37975-84

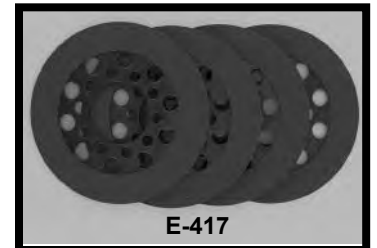
A-38010-41

A-38010-41B

A-38013-52



A-25409-94B



E-417

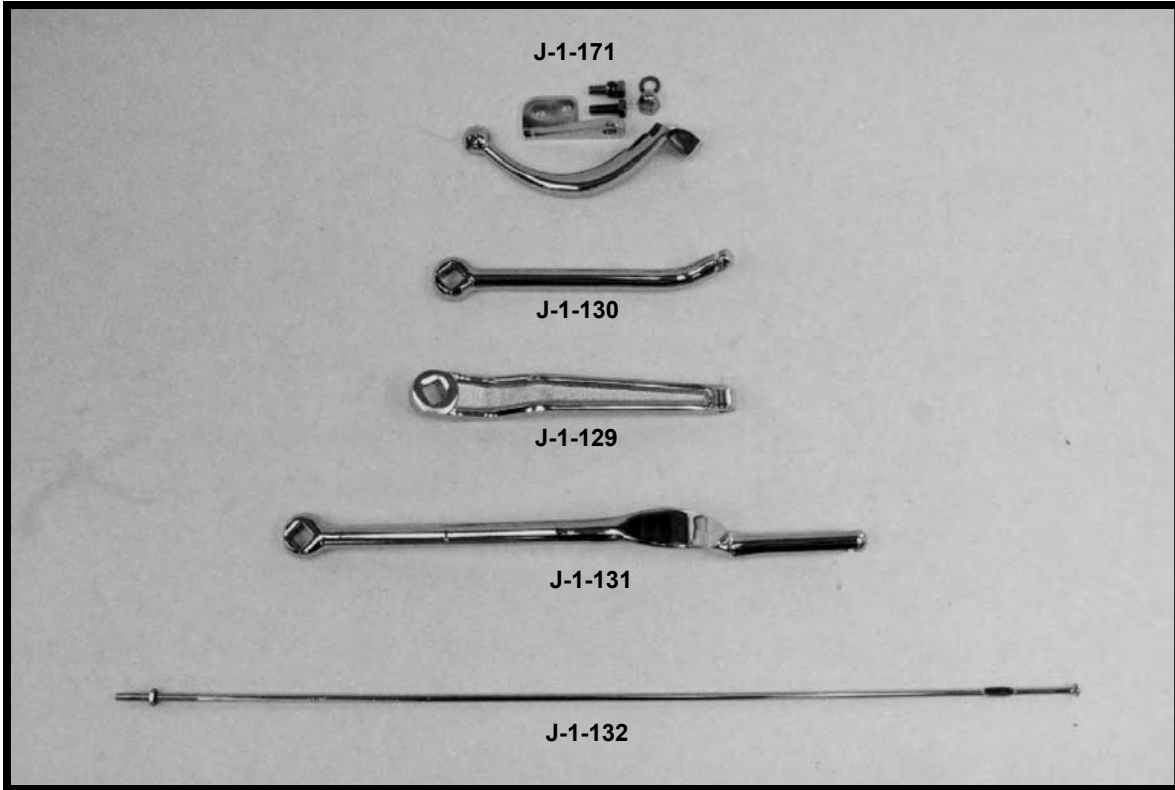
<u>EASTERN NUMBER</u>	<u>REPLACES OEM</u>		<u>DESCRIPTION</u>
A-37870-91	37870-91	each	SPRING WASHER, CLUTCH HUB AND MAINSHAFT, SPORTSTER 1991-PRESENT
A-37876-52	37876-52	each	CLUTCH RELEASING DISC, SPORTSTER 1952-1970
A-37879-71	37879-71	each	COLLAR, THRUST BEARING, SPORTSTER 1971-1984
A-37892-02	37892-02	each	INNER RACE, CLUTCH HUB, SPORTSTER 2009-PRESENT <b>**MADE IN USA**</b>
A-37911-90	37911-90	set-8	CLUTCH FRICTION DISC, BIG TWIN 1990-1997, SPORTSTER 1991-P. <b>**MADE IN USA**</b>
A-37913-90	37913-90	each	CLUTCH DRIVE PLATES, <b>**STEEL**</b> BIG TWIN 1990-1997, SPORT. 1991-P., <b>**U.S.A.**</b>
41-0100	37913-98	each	CLUTCH PRESSURE PLATE, (STEEL) BIG TWIN 1998-PRESENT
E-421	37930-68A	kit-7	KIT, CLUTCH DISC WITH CLUTCH HUB LINING, (SET-7) BIG TWIN 1968-1984
E-422	37930-41	kit-5	KIT, CLUTCH DISC WITH CLUTCH HUB LINING, (SET-5) BIG TWIN 1936-1967 <b>KIT INCLUDES: (5) PLATES, (1) LINING &amp; RIVETS</b>
E-417	37930-41	kit-4	CLUTCH DISC KIT, WET OR DRY (SET-4) BIG TWIN 1936-1967 <b>*USA*</b>
A-37931-41	37931-41	set-2	CLUTCH FRICTION DISC, <b>**STOCK STYLE**</b> FORTY-FIVE 1941-1973 <b>**IMPORTED**</b>
A-37931-84	37931-84	set-6	CLUTCH FRICTION DISC, BIG TWIN L/1984-1990 <b>**IMPORTED**</b>
A-37950-41	37950-41	each	CLUTCH OUTER DISC, (HALF PLATE) BIG TWIN 1941-1967
A-37975-41	37975-41	each	CLUTCH DRIVE PLATES, <b>**STEEL**</b> (WITH BUFFERS) BIG TWIN 1941-1984
A-37975-81	37975-81	each	CLUTCH DRIVE PLATES, <b>**STEEL**</b> (WITHOUT BUFFERS) BIG TWIN 1941-1984
A-37975-84	37975-84	each	CLUTCH DRIVE PLATES, <b>**STEEL**</b> BIG TWIN L/1984-1989 <b>**MADE IN U.S.A.**</b>
41-0105	37977-41	each	CLUTCH DRIVE PLATES, <b>**STEEL**</b> (WITH BUFFERS) FORTY-FIVE 1941-1973
A-37977-90	37977-90	each	CLUTCH SPRING SEPARATOR PLATE, BIG TWIN 1990-1997, SPORTSTER 1991-P.
E-423	37985-52A	set-7	CLUTCH DRIVE PLATES, SPORTSTER 1954-1970
E-424	37985-71	set-8	CLUTCH DRIVE PLATES, SPORTSTER 1971-1984
A-37987-71	37987-71	each	CLUTCH FRICTION DRIVE PLATE, (OUTER) SPORTSTER 1971-E/1984
A-37992-52	37992-52	each	CLUTCH DRIVE PLATES, <b>**STEEL**</b> (7 USED) SPORTSTER 1954-1970
A-37992-71A	37992-71A	each	CLUTCH DRIVE PLATES, <b>**STEEL**</b> (8 USED) SPORTSTER 1971-E/1984
A-38005-74	38005-74	each	CLUTCH BACKING PLATE, (WITH STUDS) SPORTSTER 1971-E/1984
A-38010-41	38010-41	each	CLUTCH PRESSURE PLATE, <b>(3-STUD)</b> BIG TWIN 1936-1984
A-38010-41B	38010-41B	each	CLUTCH PRESSURE PLATE, <b>(5-STUD)</b> BIG TWIN 1936-1984
A-38013-52	38013-52	each	CLUTCH PRESSURE PLATE, (OUTER) SPORTSTER 1954-1970
A-38025-41	38025-41	set-3	BUFFERS, CLUTCH DISC, BIG TWIN 1941-E/1981, FORTY-FIVE 1941-1973
A-38101-52	38101-52	set-6	SPRING CUPS FOR RELEASING DISC, SPORTSTER 1954-1970
A-38130-54	38130-53	pk-5	ADJUSTING SCREW, CLUTCH PUSH ROD, SPORTSTER 1954-1970
A-38130-71	38130-71	pk-5	ADJUSTING SCREW, CLUTCH PUSH ROD, SPORTSTER 1971-1984
A-38135-50	38135-50	pk-5	NUT, CLUTCH ADJUSTING SCREW, SPORTSTER 1954-1970
A-38502-52	38502-52	each	EYE BOLT, CLUTCH BOOSTER SPRING, BIG TWIN 1952-1967

# **\*\*EASTERN MOTORCYCLE PARTS\*\***

## **\*\*CLUTCH LEVERS\*\***

### **\*\*AND RELATED PARTS\*\***

#### **\*\*BIG TWIN-SPORTSTER\*\***



#### **EASTERN NUMBER**

#### **REPLACES OEM**

#### **DESCRIPTION**

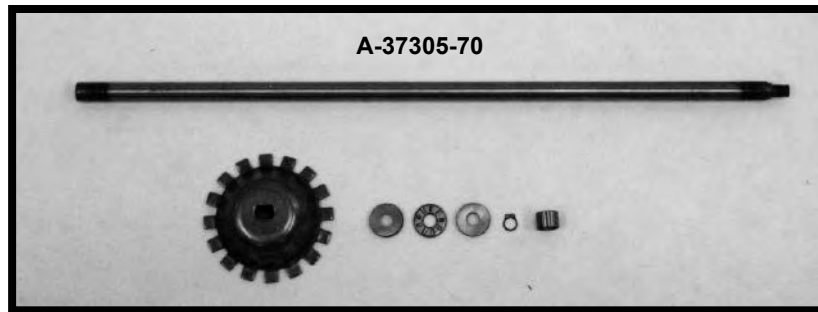
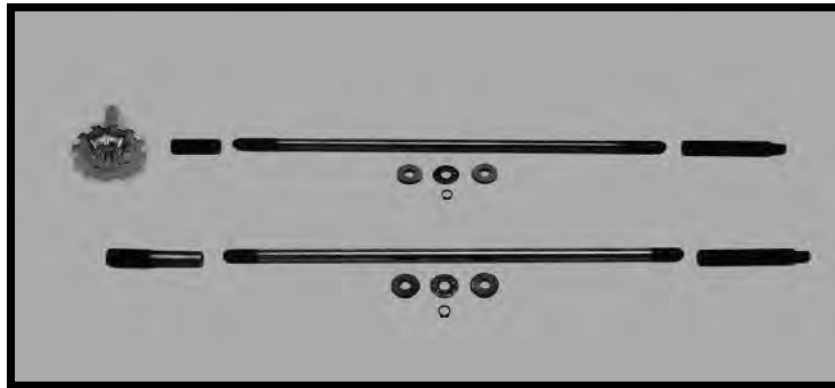
A-36906-36	36906-36	pk-5	WASHER, (SPIDER) FOOT CLUTCH, BIG TWIN -1936-1957, FORTY-FIVE 1937-1973
J-1-133	36917-36	each	ROD, CLUTCH RELEASE LEVER, HAND SHIFT <b>**CHROME**</b> BIG TWIN 1936-1964
J-1-132	36918-52	each	ROD, CLUTCH RELEASE LEVER, FOOT SHIFT <b>**CHROME**</b> BIG TWIN 1952-1967
J-1-131	37051-36	each	CLUTCH RELEASE LEVER, <b>**CHROME**</b> BIG TWIN 1936-1967
	37052-65		
J-1-130	37053-68	each	CLUTCH RELEASE LEVER, <b>**CHROME**</b> BIG TWIN 1968-1978
J-1-129	37054-79	each	CLUTCH RELEASE LEVER, <b>**CHROME**</b> BIG TWIN 1952-1967
J-1-171		kit	KIT, CLUTCH RELEASE LEVER AND BRACKET, <b>**CHROME**</b> BIG TWIN 1980-1986 KIT INCLUDES: 37085-80, 37094-82, 37096-83, 37096-85, 37098-83, 37098-85

# **\*\*EASTERN MOTORCYCLE PARTS\*\***

## **\*\*PUSH ROD KITS\*\***

**\*\*BIG TWIN 1970-PRESENT\*\***

**\*\*4 AND 5 SPEED\*\***



### **EASTERN NUMBER**

### **DESCRIPTION**

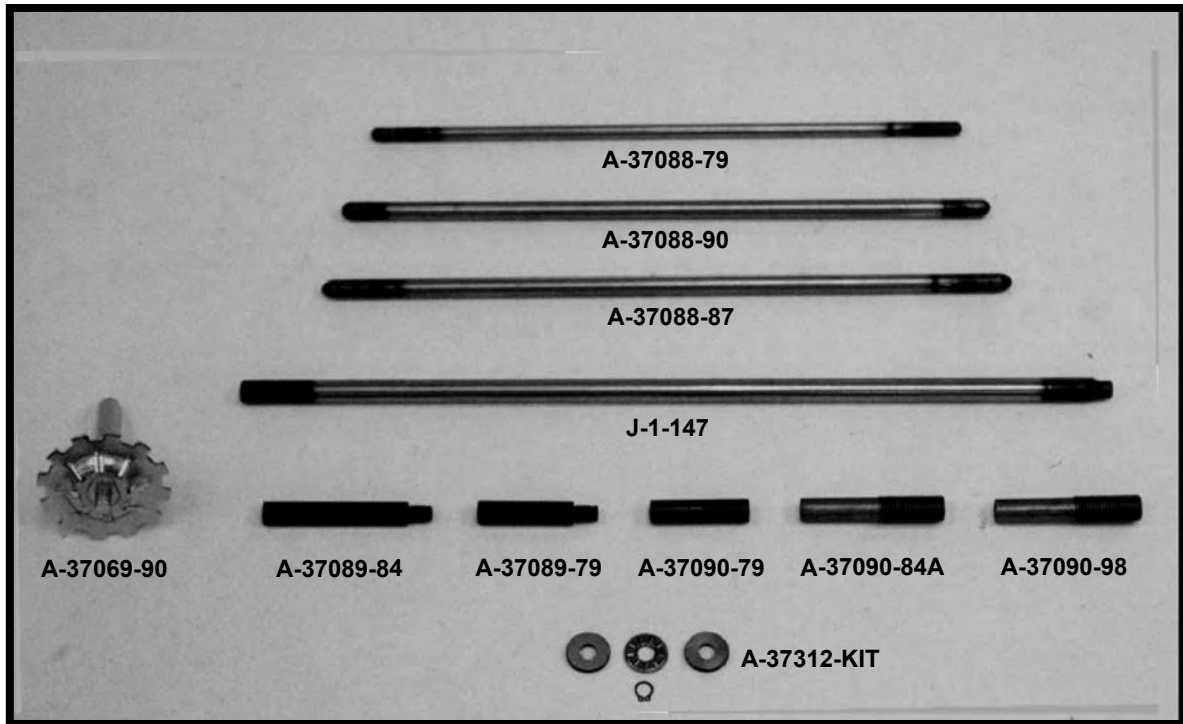
J-1-149	PUSH ROD KIT, BIG TWIN 1980-EARLY 1984, KIT INCLUDES (1) 11096A, (1) 37312-75, (2) 37313-80, (1) 37088-79, (1) 37089-79, (1) 37090-79
J-1-150	PUSH ROD KIT, BIG TWIN LATE 1984-ONLY, KIT INCLUDES (1) 11096A, (1) 37312-75, (2) 37313-80, (1) 37089-84, (1) 37090-84, (1) 37088-84
J-1-151	PUSH ROD KIT, BIG TWIN 1985-1986, KIT INCLUDES (1) 11096A, (1) 37312-75, (2) 37313-80, (1) 37088-85, (1)37089-84, (1) 37090-84
J-1-152	PUSH ROD KIT, BIG TWIN 1987-1989, KIT INCLUDES (1) 11096A, (1) 37312-75, (2) 37313-80, (1) 37088-87, (1) 37089-84, (1) 37090-84
J-1-153	PUSH ROD KIT, BIG TWIN 1984-1986, KIT INCLUDES (1) 11096A, (1) 37312-75, (2) 37313-80, (1) 37285-84, (1) 37089-84, (1) 37090-84
J-1-154	PUSH ROD KIT, BIG TWIN 1990-ONLY, KIT INCLUDES (1) 11096A, (1) 37312-75, (2) 37313-80, (1) 37088-90, (1) 37089-84, (1) 37090-84
J-1-157	PUSH ROD KIT, BIG TWIN 1991-1997, KIT INCLUDES (1) 11096A, (1) 37312-75, (2) 37313-80, (1) 37088-90, (1) 37069-90, (1) 37090-84A
J-1-158	PUSH ROD KIT, BIG TWIN 1998-PRESENT, KIT INCLUDES (1) 11096A, (1) 37312-75, (2) 37313-80, (1) 37088-90, (1) 37069-90, (1) 37090-98
J-1-159	PUSH ROD KIT, (DYNA) BIG TWIN 2006-PRESENT, KIT INCLUDES (1) 11096A, (1) 37312-75, (2) 37313-80, (1) 37092-06, (1) 37069-90, (1) 37090-98
A-37312-KIT	BEARING KIT, BIG TWIN 1975-PRESENT, KIT INCLUDES (1) 11096A, (1) 37312-75, (2) 37313-80

# **\*\*EASTERN MOTORCYCLE PARTS\*\***

## **\*\*CLUTCH PUSH RODS\*\***

### **\*\*AND PUSH ROD ENDS\*\***

### **\*\*BIG TWIN-SPORTSTER\*\***



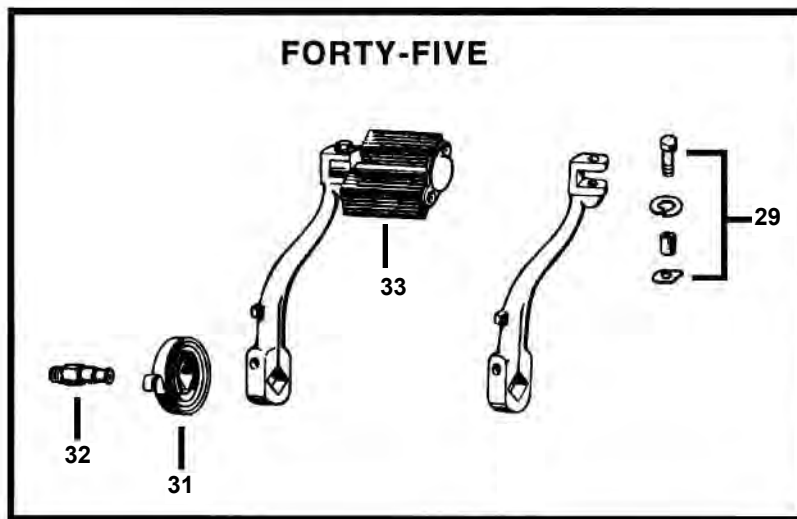
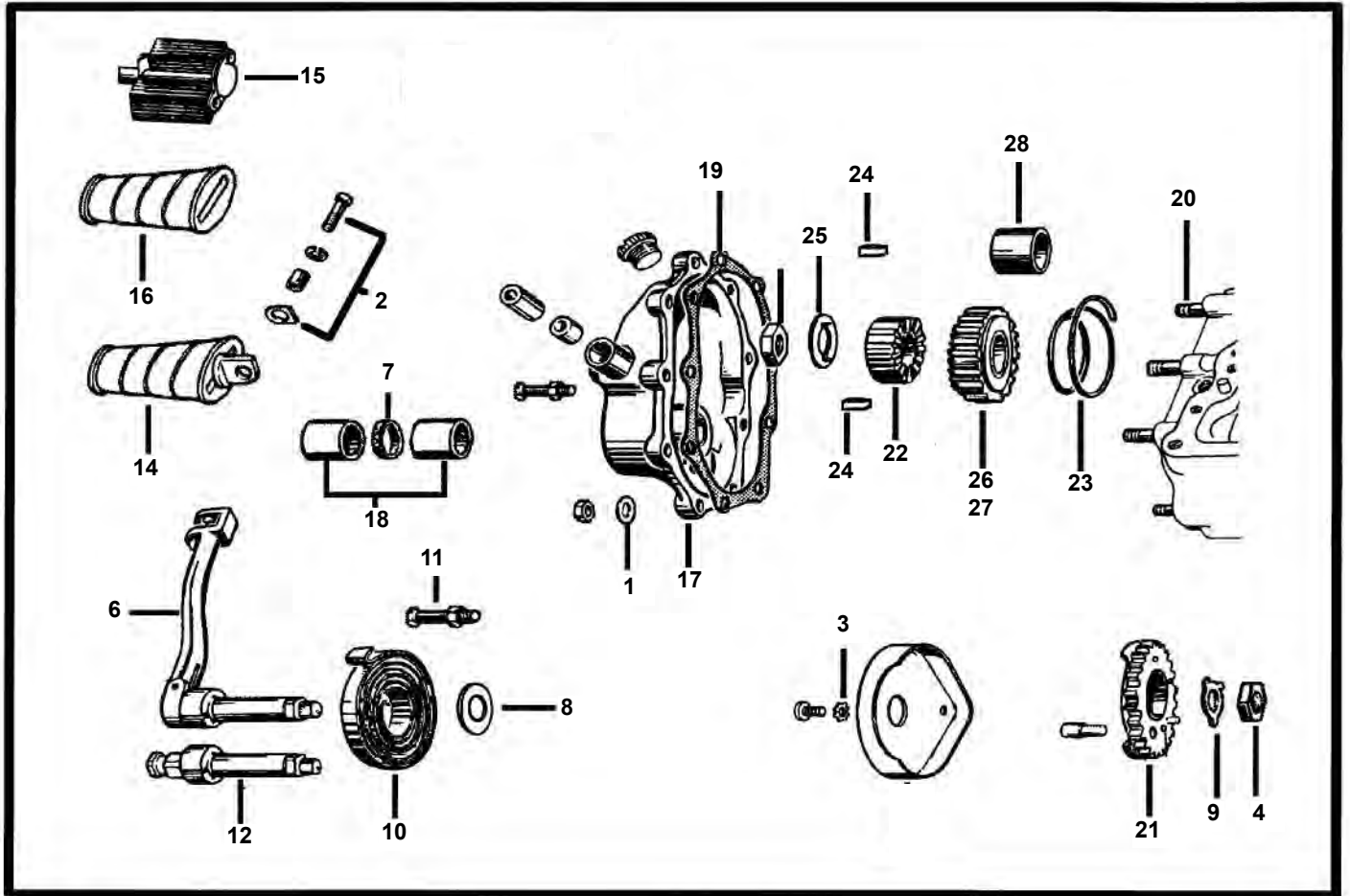
<b>EASTERN NUMBER</b>	<b>REPLACES OEM</b>	<b>DESCRIPTION</b>
A-11096	11096	pk-10 RETAINING RING, CLUTCH PUSH ROD END, **HALF RING** BIG TWIN 1975-PRESENT
A-11096A	11096A	pk-10 RETAINING RING, CLUTCH PUSH ROD END, **FULL RING** BIG TWIN 1975-PRESENT
A-2446-33	2446-33	each CLUTCH PUSH ROD, THRU-MAINSHAFT, FORTY-FIVE 1933-1940 <b>**MADE IN U.S.A.**</b>
A-37088-79	37088-79	each CLUTCH PUSH ROD, **5-SPEED** BIG TWIN 1980-E/1984 <b>**MADE IN U.S.A.**</b>
A-37088-84	37088-84	each CLUTCH PUSH ROD, **5-SPEED** BIG TWIN LATE-1984 <b>**MADE IN U.S.A.**</b>
A-37088-85	37088-85	each CLUTCH PUSH ROD, **5-SPEED** BIG TWIN 1985-1986 <b>**MADE IN U.S.A.**</b>
A-37088-87	37088-87	each CLUTCH PUSH ROD, **5-SPEED** BIG TWIN 1987-1989 <b>**MADE IN U.S.A.**</b>
A-37088-90	37088-90	each CLUTCH PUSH ROD, **5-SPEED** BIG TWIN 1990-PRESENT <b>**MADE IN U.S.A.**</b>
J-1-145	37285-41	each CLUTCH PUSH ROD, **4-SPEED** BIG TWIN 1938-1964 <b>**MADE IN U.S.A.**</b>
J-1-146	37285-65	each CLUTCH PUSH ROD, **4-SPEED** BIG TWIN 1965-1969 <b>**MADE IN U.S.A.**</b>
J-1-147	37285-70	each CLUTCH PUSH ROD, **4-SPEED** BIG TWIN 1970-1974 <b>**MADE IN U.S.A.**</b>
J-1-148	37285-75A	each CLUTCH PUSH ROD, **4-SPEED** BIG TWIN 1975-1984 <b>**MADE IN U.S.A.**</b>
A-37069-90	37069-90	each PUSH ROD END, (RIGHT SIDE) **5-SPEED** BIG TWIN 1991-PRES. <b>**MADE IN U.S.A.**</b>
A-37089-79	37089-79	each PUSH ROD END, (RIGHT SIDE) **5-SPEED** BIG TWIN 1980-E/1984 <b>**MADE IN U.S.A.**</b>
A-37089-84	37089-84	each PUSH ROD END, (RIGHT SIDE) **5-SPEED** BIG TWIN L/1984-1990 <b>**MADE IN U.S.A.**</b>
A-37090-79	37090-79	each PUSH ROD END, (LEFT SIDE) **5-SPEED** BIG TWIN 1980-E/1984 <b>**MADE IN U.S.A.**</b>
A-37090-84A	37090-84A	each PUSH ROD END, (LEFT SIDE) **5-SPEED** BIG TWIN L/1984-1997 <b>**MADE IN U.S.A.**</b>
A-37090-98	37090-98	each PUSH ROD END, (LEFT SIDE) **5-SPEED** BIG TWIN 1998-PRESENT <b>**MADE IN U.S.A.**</b>
A-37092-06	37092-06	each CLUTCH PUSH ROD, **5-SPEED** (DYNA) BIG TWIN 2006-PRESENT
A-37228-75	37228-75	each OIL SLINGER, PUSH ROD END, BIG TWIN 1975-1985
A-37285-84	37285-84	each CLUTCH PUSH ROD, **5-SPEED** BIG TWIN 1984-1986 <b>**MADE IN U.S.A.**</b>
A-37312-75	37312-75	each BEARING, CLUTCH PUSH ROD END, **4 & 5 SPEED** BIG TWIN 1975-PRESENT
A-37313-80	37313-80	pk-5 WASHER, CLUTCH PUSH ROD END, **4 & 5 SPEED** BIG TWIN 1975-PRESENT
A-37312-KIT	kit	kit, BEARING, WASHER & RETAINING RING, **4 & 5 SPEED** BIG TWIN 1975-PRESENT KIT INCLUDES: (1) 11096A (1) 37312-75, (2) 37313-80

# \*\*EASTERN MOTORCYCLE PARTS\*\*

## \*\*KICK STARTER\*\*

\*\*BIG TWIN 1941-1969\*\*

\*\*FORTY-FIVE 1929-1973\*\*



\*\*CONTINUED NEXT PAGE\*\*



# **\*\*EASTERN MOTORCYCLE PARTS\*\***

## **\*\*KICK STARTER\*\***

**\*\*BIG TWIN 1941-1969\*\***

**\*\*FORTY-FIVE 1929-1973\*\***

<u>DIAGRAM NUMBER</u>	<u>EASTERN NUMBER</u>	<u>REPLACES OEM</u>	<u>DESCRIPTION</u>
1	A-6016	6016	pk-25 WASHER, (STEEL) 11/32" X 11/16" X 1/16" THICK
2	K-2-819		kit BOLT KIT, KICK STARTER PEDAL, <b>**CHROME**</b> BIG TWIN 1936-1969
	K-2-819BLK		kit BOLT KIT, KICK STARTER PEDAL, <b>**BLACK**</b> BIG TWIN 1936-1969
3	35-0276	7220	pk-100 LOCK WASHERS, EXTERNAL # 10 <b>**ZINC PLATED**</b>
4	A-7911	7911	pk-5 NUT, KICK STARTER C/SHAFT, 1/2 X 20 THREAD, BIG TWIN 1936-1979
5	A-7977	7977	pk-5 NUT, MAINSHAFT, (RIGHT SIDE) 5/8 X 18 THREAD, BIG TWIN 1937-1985
6	J-1-135	35057-72	each KICK STARTER ARM, <b>**CHROME**</b> BIG TWIN L/1972-1976
		35061-52A	
7	A-33076-37	33076-37	pk-10 OIL SEAL, KICK STARTER SHAFT, BIG TWIN 1937-1969
8	A-33080-36	33080-36	pk-5 WASHER, KICK STARTER SHAFT, BIG TWIN 1937-1969
9	A-33082-16	33082-16	pk-10 LOCK TAB, C/S & STARTER CRANK, BIG TWIN 1936-1979
10	A-33085-36	33085-36	each SPRING, KICK STARTER-RETURN, *CHROME* BIG TWIN 1936-1984
11	A-33090-36	33090-36	each STUD, STARTER CRANK SPRING, BIG TWIN 1936-1969
		33152-59	
12	J-1-136	33096-54B	each SHAFT, KICK STARTER *COVER*(TRANS.), BIG TWIN 1936-1969
14	K-2-811	33175-16A	each KICK STARTER PEDAL, W/ RUBBER, BIG TWIN 1936-1984
15	K-2-816	33175-16A	each KICK STARTER PEDAL (BICYCLE STYLE) B/T 1936-1984, SP. 1952-P.
16	K-2-789	33182-63A	each RUBBER, (BLACK) FOR PEDAL, BIG TWIN 1936-1984
17	E-418	33277-36A	each COVER, KICKER TRANSMISSION (POLISHED), BIG TWIN 1936-1969
	E-418C	33277-36A	each COVER, KICKER TRANSMISSION (CHROME), BIG TWIN 1936-1969
18	A-33288-37	33288-37	kit BUSHING KIT, W/ SEAL *SIDE COVER* (TRANS), BIG TWIN 1937-1984
19	L-3-960	33295-36	pk-10 GASKET, STARTER SIDE COVER (TRANS.), BIG TWIN 1936-1984
20	A-33298-36	33298-36	pk-10 STUDS, SIDE COVER, 1"-3/8 LONG (TRANS), BIG TWIN 1937-1964
	A-33298-65	33298-65	pk-5 STUDS, SIDE COVER, 1"-1/2 LONG (TRANS), BIG TWIN 1965-1984
21	W-14-215	33350-36	each STARTER CRANK GEAR (24 T), BIG TWIN 1937-1969
22	W-14-218	33381-39	each STARTER CLUTCH GEAR, MAINSHAFT, BIG TWIN 1939-1984
23	A-33391-36	33391-36	pk-10 SPRINGS, STARTER CLUTCH GEAR <b>**MADE IN USA**</b> B/T 1937-1969
24	A-33393-50	33393-50	pk-10 KEY, STARTER CLUTCH, (M/S) TRANSMISSION, BIG TWIN 1937-1986
25	A-33396-39	33396-39	pk-10 LOCK TAB, STARTER CLUTCH NUT, BIG TWIN 1941-1979
26	W-14-220	33430-50	each STARTER GEAR, (16 T) MAINSHAFT, BIG TWIN 1937-1984
27	W-14-219	33430-59	each STARTER GEAR, (14 T) MAIN SHAFT, BIG TWIN 1959-1966
28	A-33438-50	33438-50	each BUSHING, STARTER RATCHET GEAR, BIG TWIN 1931-1969
	A-33438-50A	33438-50	each BUSHING, STARTER RATCHET GEAR, <b>**O/S .928**</b> BIG TWIN 1931-1969

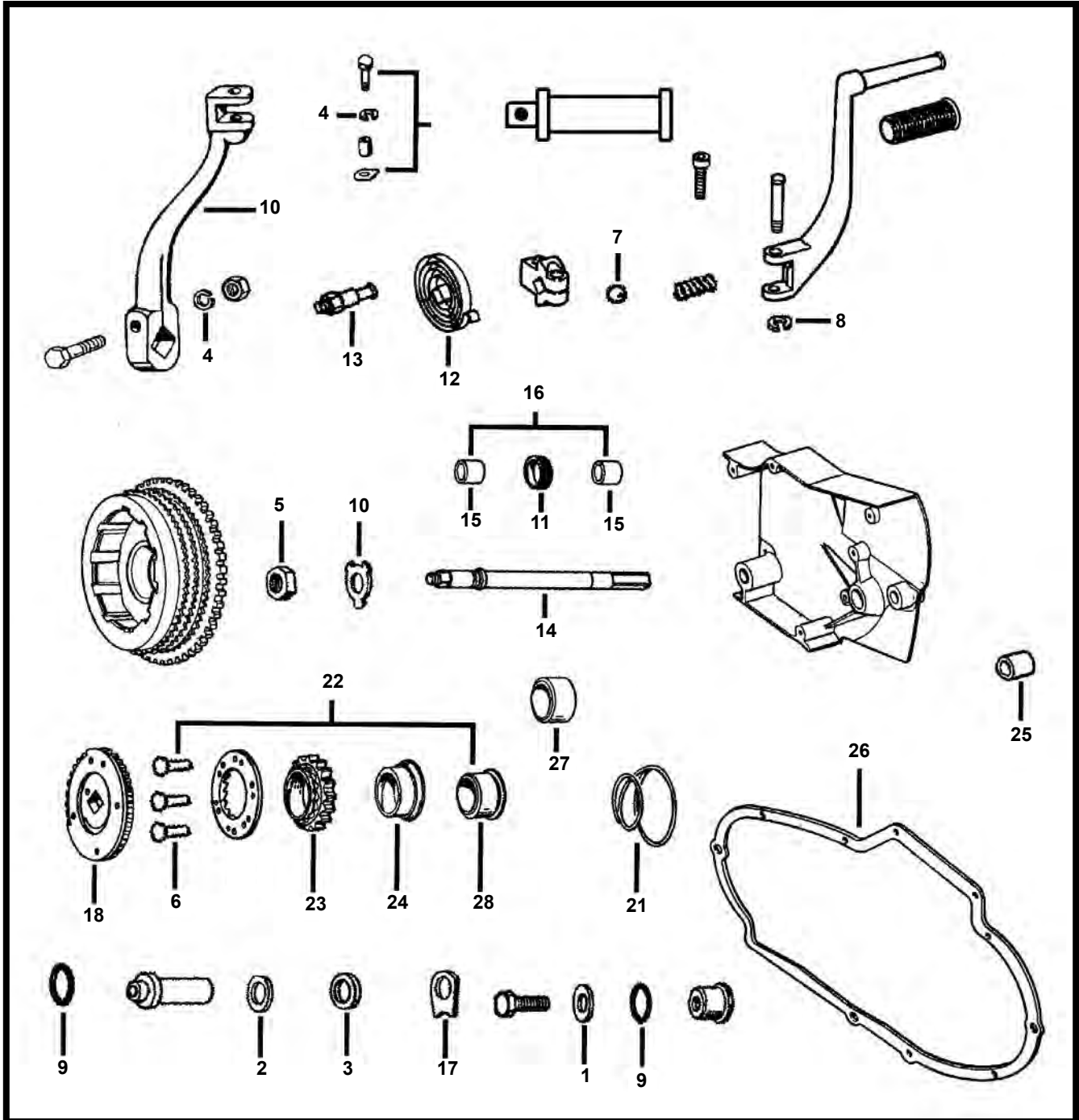
## **\*\*FORTY-FIVE KICKER PARTS\*\***

<u>DIAGRAM NUMBER</u>	<u>EASTERN NUMBER</u>	<u>REPLACES OEM</u>	<u>DESCRIPTION</u>
29	K-2-819	4336	kit BOLT KIT, KICK STARTER PEDAL, FORTY-FIVE 1930-1957
	K-2-819BLK		kit BOLT KIT, KICK STARTER PEDAL, <b>**BLACK**</b> BIG TWIN 1936-1969
			<b>REPLACES: 4336. 7038, 33213-31, 33215-30</b>
31	A-33084-41	33084-41	each KICK STARTER RETURN SPRING, *CHROME* FORTY-FIVE 1929-1973
32	A-33088-41	33088-41	each KICK STARTER STUD, <b>**ZINC PLATED**</b> FORTY-FIVE 1941-1973
33	K-2-816	33175-16A	each KICK STARTER PEDAL (ONLY) <b>**BICYCLE STYLE**</b> FORTY-FIVE

# \*\*EASTERN MOTORCYCLE PARTS\*\*

## \*\*KICK STARTER\*\*

\*\*SPORTSTER 1954-1985\*\*



\*\*CONTINUED NEXT PAGE\*\*

# **\*\*EASTERN MOTORCYCLE PARTS\*\***

## **\*\*KICK STARTER\*\***

### **\*\*SPORTSTER 1954-1985\*\***

<u>DIAGRAM NUMBER</u>	<u>EASTERN NUMBER</u>	<u>REPLACES OEM</u>	<u>DESCRIPTION</u>
1	A-6092	6092	pk-25 WASHER, (STEEL) 1-1/8" X 3/4" X 1/16" THICK
2	A-6469HW	6469HW	pk-25 WASHER, (STEEL) 7/16" X 3/4" X 1/8" THICK
3	A-6802	6802	pk-10 SHIM, (.007) KICK STARTER SHAFT, SPORTSTER 1954-1979
4	36-0284	7038	pk-100 LOCK-WASHERS, REGULAR 3/8" <b>**ZINC PLATED**</b>
5	A-7926	7926	pk-5 NUT, KICK START SHAFT, SPORTSTER 1954-1979
6	A-8215	8215	pk-12 RIVETS, RATCHET PLATE ( <b>SET-12</b> ), SPORTSTER 1954-1970
	A-8215-100	8215	pk-100 RIVETS, RATCHET PLATE ( <b>PK-100</b> ), SPORTSTER 1954-1970
	A-8216	8216	pk-12 RIVETS, RATCHET PLATE ( <b>SET-12</b> ), SPORTSTER 1971-1979
	A-8216-100	8216	pk-100 RIVETS, RATCHET PLATE ( <b>PK-100</b> ), SPORTSTER 1971-1979
7	A-8860	8860	pk-25 BALL BEARING,5/16" DIAMETER(STEEL),SPORTSTER 1952-1981
8	A-11031	11031	pk-10 RETAINING RING,FOOT SHIFT LEVER & PIVOT PIN, SPORT 1977-1979
9	A-11101	11101	pk-10 O-RING, ROCKER ARM SHAFT END, SPORTSTER 1957-1985
	A-11101X	11101	pk-10 O-RING, ROCKER ARM SHAFT (O/S), SPORTSTER 1957-1985
10	J-1-135	33057-72	each KICK STARTER ARM, <b>**CHROME**</b> , SPORTSTER 1952-1976
		33061-52A	each KICK STARTER ARM, <b>**CHROME**</b> , SPORTSTER 1952-1976
11	A-33076-37	33076-37	pk-10 OIL SEAL,KICK STARTER SHAFT,SP 1952-1979, <b>**MADE IN USA**</b>
12	A-33084-41	33084-41	each SPRING,KICK STARTER-RETURN*CHROME*,SPORTSTER 1952-1979
13	A-33088-52	33088-52	each STUD, STARTER CRANK SPRING <b>*ZINC PLATED*</b> SPORT. 1954-1970
	A-33088-71	33088-71	each STUD, STARTER CRANK SPRING <b>*ZINC PLATED*</b> SPORT. 1971-1979
	A-33088-79	33088-79	each STUD, STARTER CRANK SPRING <b>*ZINC PLATED*</b> SPORT 1979-ONLY
14	J-1-139	33094-57A	each KICK STARTER SHAFT. EARLY, SPORTSTER 1957-1976
	J-1-138	33094-77A	each KICK STARTER SHAFT. EARLY, SPORTSTER 1977-1979
15	A-33099-52A	33099-52A	each BUSHINGS,KICK STARTER SHAFT ,SP 1954-1979, <b>**MADE IN USA**</b>
16	A-33099-80		kit BUSHING KIT,KICK STARTER,SPORTSTER 1954-1979, <b>MADE IN USA</b>
17	A-33110-54	33110-54	pk-5 THRUST PLATES, STARTER SHAFT, SPORTSTER 1954-1979
18	W-14-213	33348-57	each GEAR, KICK STARTER SHAFT, SPORTSTER 1954-1976
	W-14-214	33348-78	each GEAR, KICK STARTER SHAFT, SPORTSTER 1977-1979
19	A-33362-52	33362-52	pk-10 LOCK-TAB, STARTER GEAR NUT, SPORTSTER 1954-1979
	W-14-189	33379-71A	each RATCHET PLATE,STAMPED(LATE),SP 1971-1979, <b>**MADE IN USA**</b>
21	A-33391-52	33391-52	pk-10 SPRINGS,STARTER RATCHET GEAR,SP 1952-1979, <b>**MADE IN USA**</b>
22	W-14-302	33400-76	kit STARTER GEAR KIT, SPORTSTER 1971-1979
		33460-74	kit STARTER GEAR KIT, SPORTSTER 1971-1979
23	W-14-217	33432-57A	each GEAR, STARTER RATCHET (16-T), SPORTSTER 1957-1972
	W-14-216	33432-73	each GEAR, STARTER RATCHET (16-T), SPORTSTER 1973-1979
24	A-33442-57A	33442-57A	each BUSHING,STARTER RATCHET GEAR,SP 1957-E/1973, <b>*MADE IN USA*</b>
	A-33442-73	33442-73	each BUSHING,STARTER RATCHET GEAR,SP L/1973-1979, <b>*MADE IN USA*</b>
25	A-34898-79	34898-79	each BUSHING, BRAKE PIVOT SHAFT, SPORTSTER 1978-ONLY
26	L-3-860	34952-52	pk-10 GASKETS, PRIMARY COVER (.030 THICK) <b>*JAMES*</b> SPORT 1952-1969
	L-3-861	34952-52A	pk-10 GASKETS, PRIMARY COVER (.062 THICK) <b>*JAMES*</b> SPORT 1952-1969
	L-3-862	34955-67	pk-10 GASKETS, OUTER PRIMARY COVER, SPORTSTER 1967-1976
	L-3-864	34955-75	pk-10 GASKETS, OUTER PRIMARY COVER, SPORTSTER 1977-1990
27	A-37753-76	37753-76	each SPACER,CLUTCH SPROCKET,SPORTSTER 1967-1979, <b>MADE IN USA</b>
28	A-37754-74	37754-74	each SPACER, CLUTCH HUB DRUM (1.047 LONG), SPORTSTER 1957-1970
	A-37755-73	37755-73	each SPACER, CLUTCH HUB DRUM (1.153 LONG), SPORTSTER 1971-1979
29	K-2-819		kit BOLT KIT, KICK STARTER PEDAL, <b>*CHROME*</b> SPORTSTER 1954-1979
	K-2-819BLK		kit BOLT KIT, KICK STARTER PEDAL, <b>*BLACK*</b> SPORTSTER 1954-1979
			<b>REPLACES: 4336. 7038, 33213-31, 33215-30</b>
			<b>REPLACES: 4336. 7038, 33213-31, 33215-30</b>

# **\*\*EASTERN MOTORCYCLE PARTS\*\***

## **\*\*SHIFTER FORKS\*\***

### **\*\*AND SHAFTS\*\***

### **\*\*BIG TWIN-SPORTSTER\*\***



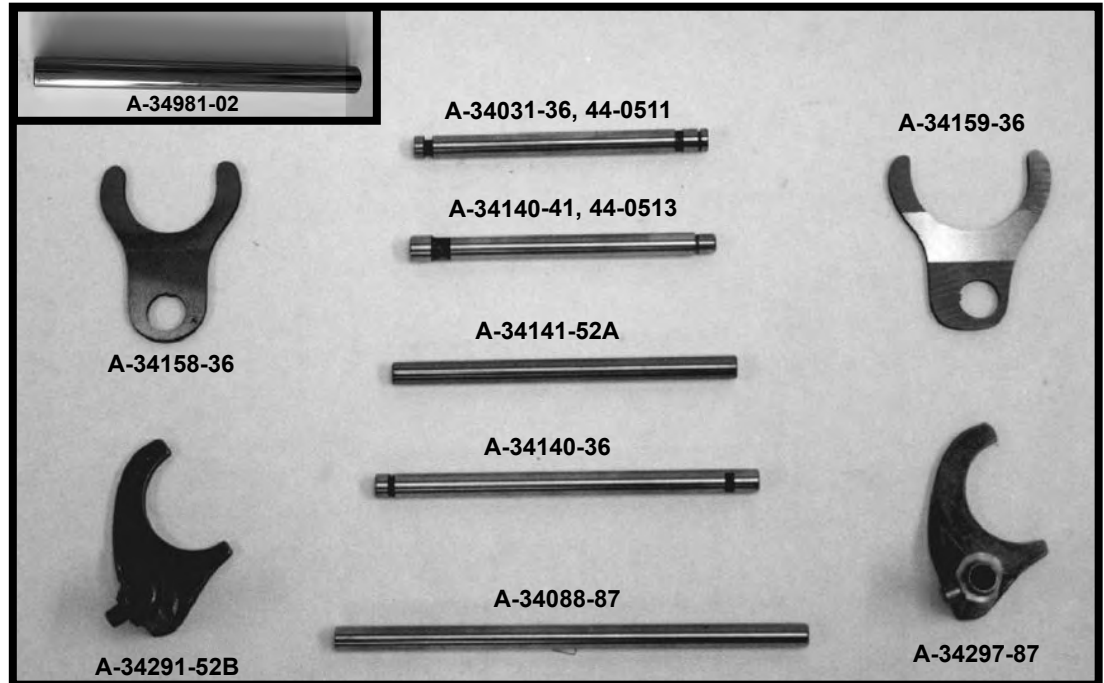
45-0202  
(34191-79D)



45-0203  
(34193-79D)



45-0204  
(34195-79D)



#### **EASTERN NUMBER**

#### **REPLACES OEM**

#### **DESCRIPTION**

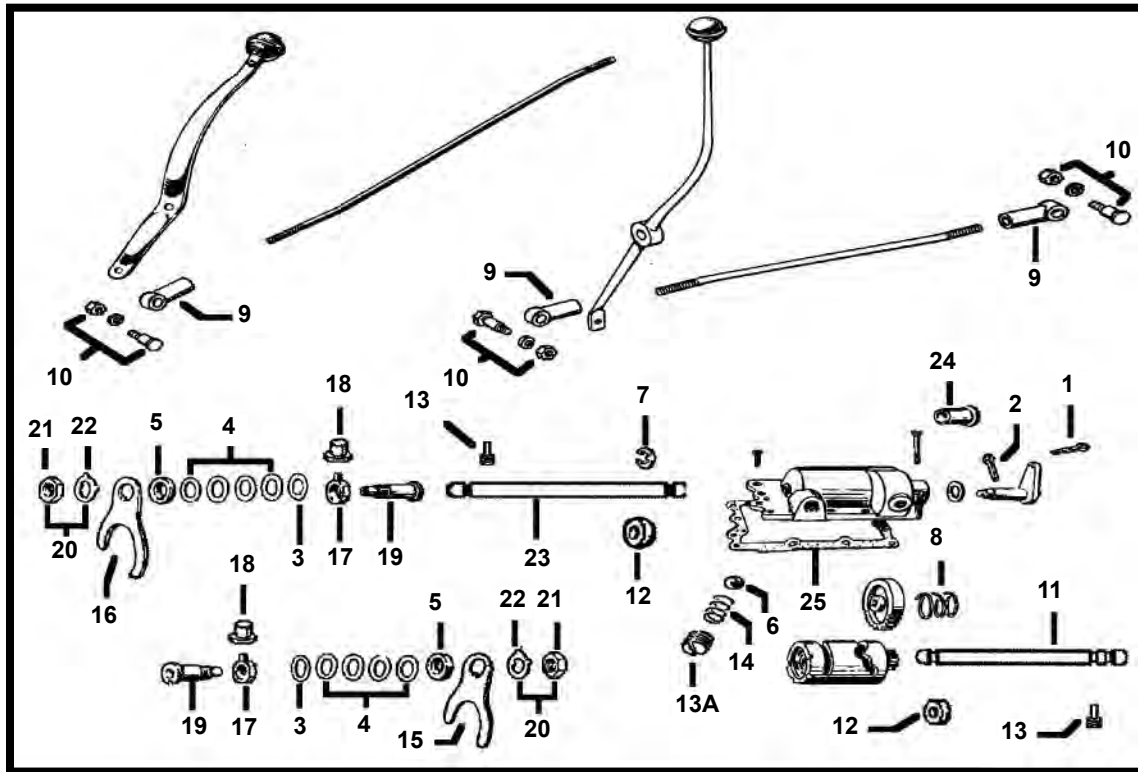
44-0511	2244-38	each	SHAFT, SHIFTER CAM (IN CASE) FORTY-FIVE 1938-1940 **MADE IN U.S.A.**
44-0513	2245-38	each	SHAFT, SHIFTER FORKS (IN CASE) FORTY-FIVE 1938-1940 **MADE IN U.S.A.**
A-34031-36	34031-36	each	SHAFT, SHIFTER CAM (HAND SHIFT) BIG TWIN 1936-1976
A-34031-41	34031-41	each	SHAFT, SHIFTER CAM (FOOT SHIFT) BIG TWIN 1952-1979, FORTY-FIVE 1941-1973
A-34088-79	34088-79	each	SHIFTER FORK SHAFT, **5-SPEED** BIG TWIN 1980-1986
A-34088-87	34088-87	each	SHIFTER FORK SHAFT, **5-SPEED** BIG TWIN 1987-2006
A-34140-36	34140-36	each	SHIFTER FORK SHAFT, **4-SPEED** BIG TWIN 1937-1978
A-34140-41	34140-41	each	SHIFTER FORK SHAFT, FORTY-FIVE 1941-1973
A-34141-52A	34141-52A	each	SHIFTER FORK SHAFT, **4-SPEED** SPORTSTER 1952-E/1984
A-34141-84A	34141-84A	each	SHIFTER FORK SHAFT, **4-SPEED** SPORTSTER L/1984-1990
A-34158-36	34158-36	each	SHIFTER FORKS, MAINSHAFT, (3rd & 4th) **4-SPEED** BIG TWIN 1936-1984
A-34159-36	34159-36	each	SHIFTER FORKS, COUNTERSHAFT, (1st & 2nd) **4-SPEED** BIG TWIN 1936-1984
A-34161-41	34161-41	each	SHIFTER FORKS, MAINSHAFT & COUNTERSHAFT, FORTY-FIVE 1941-1973
A-34176-41	34176-41	each	BUSHING, SHIFTER FINGER **STEEL** FORTY-FIVE 1941-1973
A-34186-76	34186-76	each	SHIFTER FORK SHAFT, **4-SPEED** BIG TWIN 1976-1984
45-0202	34191-79D	each	SHIFTER FORK (1st & 2nd GEAR) **5-SPEED** BIG TWIN 1990-2006
45-0203	34193-79D	each	SHIFTER FORK (3rd & 5th GEAR) **5-SPEED** BIG TWIN 1990-2006
45-0204	34195-79D	each	SHIFTER FORK (4th GEAR) **5-SPEED** BIG TWIN 1990-2006
A-34291-52B	34291-52B	each	SHIFTER FORK, (STD) **4-SPEED** SPORTSTER 1954-1990
A-34292-72A	34292-72A	each	SHIFTER FORK, (+.020) **4-SPEED** SPORTSTER 1954-1990
A-34293-72A	34293-72A	each	SHIFTER FORK, (-.020) **4-SPEED** SPORTSTER 1954-1990
A-34294-84	34294-84	each	SHIFTER FORK, (+.010) **4-SPEED** SPORTSTER 1954-1990
A-34295-84	34295-84	each	SHIFTER FORK, (-.010) **4-SPEED** SPORTSTER 1954-1990
A-34296-84	34296-84	each	SHIFTER FORK, (+.005) **4-SPEED** SPORTSTER 1954-1990
A-34297-84	34297-84	each	SHIFTER FORK, (-.005) **4-SPEED** SPORTSTER 1954-1990
A-34297-86		each	SHIFTER FORK, (+.030) **4-SPEED** SPORTSTER 1954-1990
A-34297-87		each	SHIFTER FORK, (-.030) **4-SPEED** SPORTSTER 1954-1990
A-34981-02	34981-02	each	SHAFT, SHIFTER FORKS, SPORTSTER 2004-PRESENT
A-34982-02	34982-02	pk-5	BUSHING, RIGHT SIDE CRANKCASE, SPORTSTER 2004-PRESENT

**\*5120 HILDA ROAD\* BLACKVILLE, S.C. 29817\* 803-284-3304\***

# \*\*EASTERN MOTORCYCLE PARTS\*\*

## \*\*HAND SHIFT\*\*

### \*\*BIG TWIN 1937-1979\*\*



#### DIAGRAM NUMBER

#### EASTERN NUMBER

#### REPLACES OEM

#### DESCRIPTION

DIAGRAM NUMBER	EASTERN NUMBER	REPLACES OEM	DESCRIPTION
1	35-0113	515	pk-100 COTTER PINS, 1/16" X 3/4" LONG, <b>**ZINC PLATED**</b>
2	35-0135	534	pk-100 COTTER PINS, 3/32" X 1" LONG, <b>**ZINC PLATED**</b>
3	A-6750	6750	pk-10 SHIMS, (+.007) SHIFTER FORKS <b>**4-SPEED**</b> , BIG TWIN 1935-1984
4	A-6752	6752	pk-10 SHIMS, (+.015) SHIFTER FORKS <b>**4-SPEED**</b> , BIG TWIN 1935-1984
5	A-6754	6754	pk-10 THRUST WASHER, (3/32") SHIFTER FORKS <b>**4-SPEED**</b> , B/T 1935-E/79
6	A-8872	8872	pk-25 BALL BEARING, (1/2") HAND SHIFT <b>**TOP**</b> , BIG TWIN 1940-1976
7	A-11036	11036	pk-10 RETAINING RING, SHIFTER FORK SHAFT, BIG TWIN 1976-1986
8	A-33390-26	33390-26	pk-10 SPRINGS, SHIFTER GEAR & CLUTCH (TRANS), BIG TWIN 1941-1979
9	1-126	33870-51	each CLEVIS, SHIFTER ROD <b>**CHROME**</b> , BIG TWIN 1937-1979
10	1-127	33878-51	each CLEVIS, BOLT & NUT <b>**CHROME**</b> , BIG TWIN 1937-1979
11	A-34031-36	34030-36	each SHAFT, SHIFTER CAM (TRANS TOP), BIG TWIN 1936-1976
12	A-34036-36	34036-36	pk-10 SEAL, SHIFTER CAM SHAFT, BIG TWIN 1937-1979
13	A-34050-36	34050-36	pk-10 LOCK-SCREW, SHIFT FORK CAM SHAFT, BIG TWIN 1937-1979
13A	A-34053-36	34053-36	pk-5 CAP SCREW, CAM BALL, BIG TWIN 1936-1976
	A-34053-KIT		kit-3 KIT, CAP SCREW, <b>INCLUDES: 8872, 34053-36, 34057-36</b> , B/T 1936-1976
14	A-34057-36	34057-36	pk-10 SPRING, PLUNGER BALL (HAND SHIFT), BIG TWIN 1936-1976
15	A-34158-36	34158-36	each SHIFTER FORK, <b>**MAINSHAFT**</b> (4-SPEED), BIG TWIN 1936-1984
16	A-34159-36	34159-36	each SHIFTER FORK, <b>**COUNTERSHAFT**</b> (4-SPEED), BIG TWIN 1936-1984
17	A-34165-36	34165-36	each SHIFTER FINGER, FOR BUSHING (4-SPEED), BIG TWIN 1936-1976
18	A-34168-39	34168-39	pk-10 ROLLER, SHIFTER FINGER (HATS) <b>**4-SPEED**</b> , BIG TWIN 1941-1979
19	A-34175-36	34175-36	each BUSHING, <b>**STEEL**</b> SHIFTER FINGER (4-SPEED), BIG TWIN 1937-1976
20	A-34179-KIT		kit NUT & LOCK TAB, SHIFTER FINGER BUSHING, B/T 1935-1984
			<b>KIT INCLUDES: (2ea) 34179-33 &amp; (2ea) 34180-33</b>
21	A-34179-33	34179-33	pk-5 NUT, SHIFTER FINGER BUSHING (4-SPEED), BIG TWIN 1935-1984
22	A-34180-33	34180-33	pk-10 LOCK TAB, SHIFTER FORK NUTS, BIG TWIN 1935-1986
23	A-34186-76	34186-76	each SHAFT, SHIFTER FORKS, BIG TWIN 1976-1984
24	A-34430-36	34430-36	each BUSHING, SHIFTER SHAFT, BIG TWIN 1937-1976
25	L-3-961	34824-36	pk-10 GASKET, SHIFTER COVER (4-SPEED), BIG TWIN 1936-E/1979

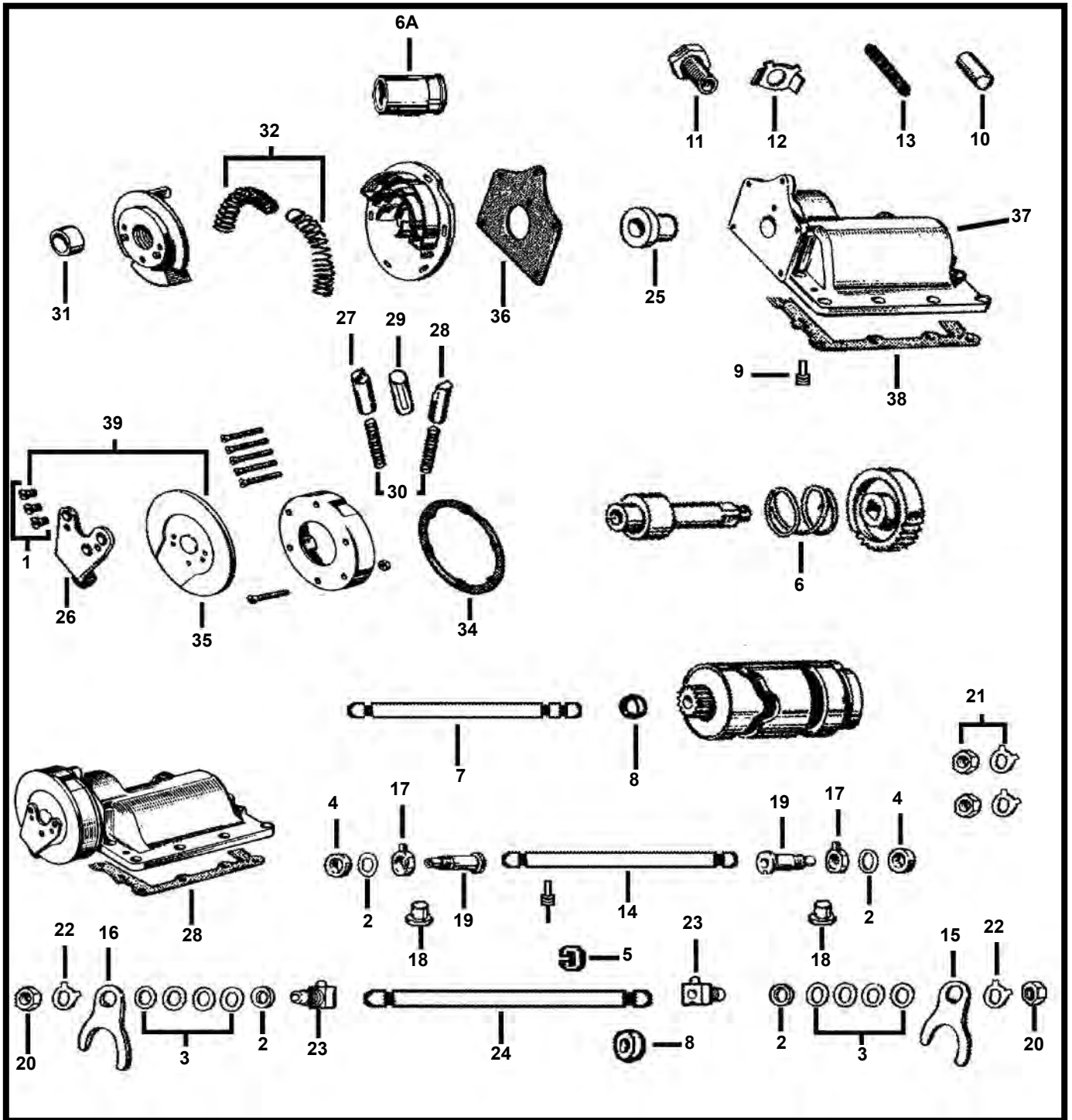
**\*5120 HILDA ROAD\* BLACKVILLE, S.C. 29817\* 803-284-3304\***

# \*\*EASTERN MOTORCYCLE PARTS\*\*

## \*\*RATCHET TOP\*\*

### \*\*FOOT SHIFT\*\*

### \*\*BIG TWIN 1941-1979\*\*



\*\*CONTINUED NEXT PAGE\*\*

\*5120 HILDA ROAD\* BLACKVILLE, S.C. 29817\* 803-284-3304\*

\*Pg 268\*

# **\*\*EASTERN MOTORCYCLE PARTS\*\***

## **\*\*RATCHET TOP\*\***

### **\*\*FOOT SHIFT\*\***

#### **\*\*BIG TWIN 1941-1979\*\***

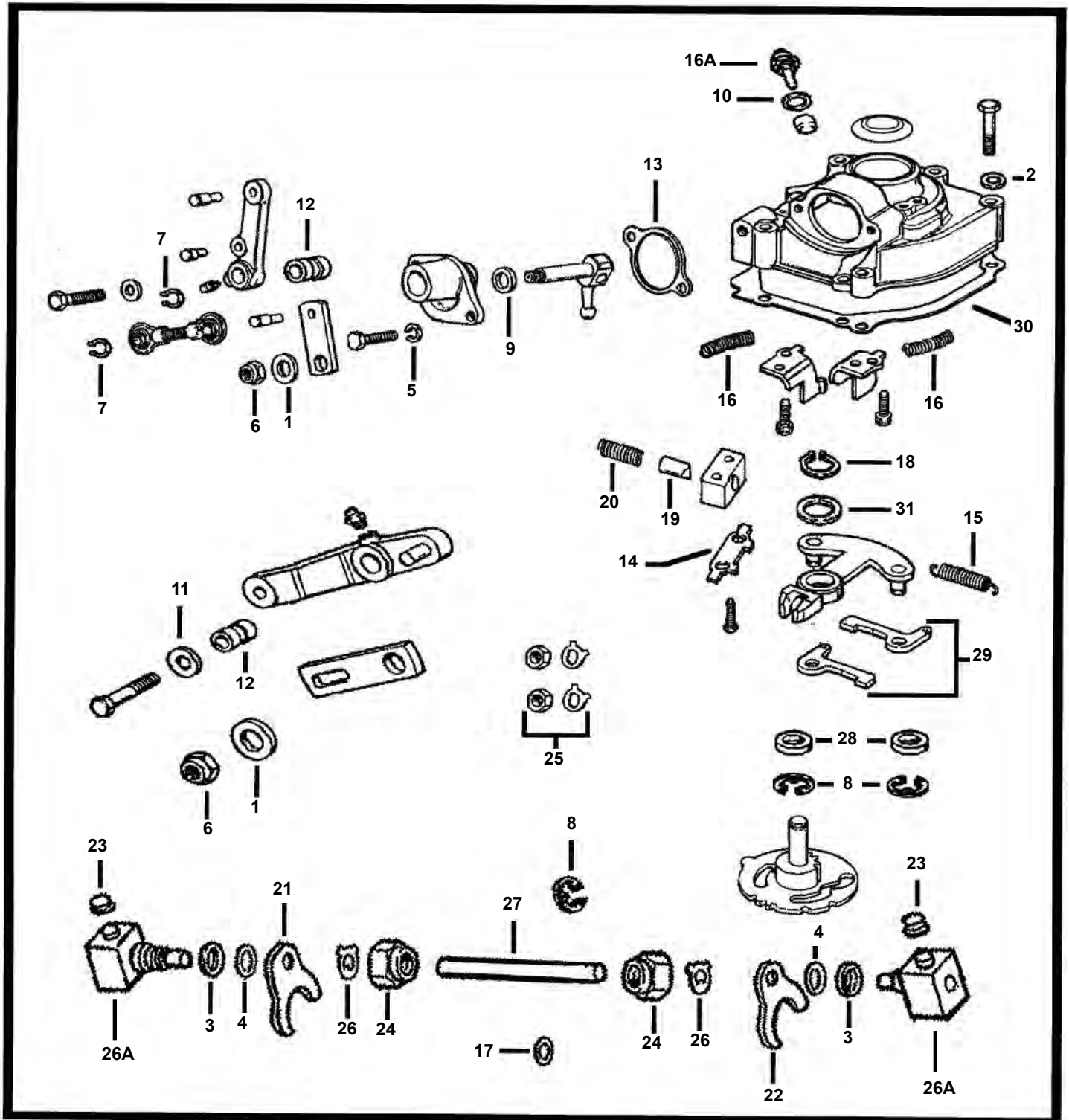
<u>DIAGRAM NUMBER</u>	<u>EASTERN NUMBER</u>	<u>REPLACES OEM</u>	<u>DESCRIPTION</u>
1	A-1767W	1767W	pk-10 SCREWS, SHIFTER LEVER (CAD), BIG TWIN 1965-1979
2	A-6750	6750	pk-10 SHIMS, (+.007) SHIFTER FORKS **4-SPEED**, BIG TWIN 1935-1984
3	A-6752	6752	pk-10 SHIMS, (+.015) SHIFTER FORKS **4-SPEED**, BIG TWIN 1935-1984
4	A-6754	6754	pk-10 THRUST WASHER,(3/32)SHIFTER FORKS*4-SPEED*,B/T 1935-E/1979
5	A-11039	11039	pk-10 RETAINING RING, STARTER COLLAR, BIG TWIN 1965-1988
6	A-33390-26	33390-26	pk-10 SPRING, SHIFTER GEAR & CLUTCH, BIG TWIN 1941-1979
6A	A-33638-52	33638-52	each BUSHING, SHIFTER BRACKET (FOR OEM ONLY) BIG TWIN 1952-1969
	A-33638-70	33638-70	each BUSHING, SHIFTER BRACKET (FOR OEM ONLY) BIG TWIN 1970-1984
7	A-34031-41	34031-41	each SHAFT,SHIFTER CAM (TRAN TOP)*FOOT SHIFT*,BIG TWIN 1952-1979
8	A-34036-36	34036-36	pk-10 SEAL, SHIFTER CAM SHAFT, BIG TWIN 1937-1979
	A-34036-80	34036-80	pk-10 O-RING,SHIFTER CAM SHAFT & STARTER MOTOR,BIG TWIN 1980-84
9	A-34050-36	34050-36	pk-10 LOCK-SCREW,SHIFT FORK CAM SHAFT*4-SPEED*,BIG TWIN 1937-79
10	A-34062-52	34062-52	each CAM FOLLOWER, FOR SPRING RETAINER, BIG TWIN 1952-E/1984
11	A-34064-52	34064-52	each SPRING RETAINER, **CAM FOLLOWER**, BIG TWIN 1952-1979
12	A-34066-52	34066-52	pk-10 LOCK-TAB, **CAM FOLLOWER**, BIG TWIN 1952-1979
13	A-34068-52A	34068-52A	pk-10 SPRING, **CAM FOLLOWER**, BIG TWIN 1952-1982
14	A-34140-36	34140-36	each SHAFT, SHIFTER FORKS (TRANS CASE)**4-SPEED**, B/T 1937-1978
15	A-34158-36	34158-36	each SHIFTER FORK, (MAINSHAFT)**4-SPEED**, BIG TWIN 1936-1984
16	A-34159-36	34159-36	each SHIFTER FORK, (COUNTERSHAFT)**4-SPEED**, BIG TWIN 1936-1984
17	A-34165-36	34165-36	each SHIFTER FINGER, FOR BUSHING **4-SPEED**, BIG TWIN 1936-1976
18	A-34168-39	34168-39	pk-10 ROLLER, SHIFTER FINGER (HATS)**4-SPEED**,BIG TWIN 1941-1979
	A-34168-52	34168-52	pk-10 ROLLER, SHIFTER FINGER (HATS)**4-SPEED**,BIG TWIN 1979-1984
19	A-34175-36	34175-36	each BUSHING,(STEEL)SHIFTER FINGER**4-SPEED**,BIG TWIN 1937-1976
20	A-34179-33	34179-33	pk-5 NUT, SHIFTER FINGER BUSHING **4-SPEED**, BIG TWIN 1935-1984
21	A-34179-KIT		kit NUTS & LOCK KIT, SHIFTER FINGER *BUSHING*,BIG TWIN 1935-1984
			<b>KIT INCLUDES: (2ea) 34179-33 &amp; (2ea) 34180-33</b>
22	A-34180-33	34180-33	pk-10 LOCK TAB, SHIFTER FORK NUTS, BIG TWIN 1935-1986
23	A-34182-76	34182-76	each SHIFTER FINGER, **FOR SHAFT**, BIG TWIN 1976-1979
24	A-34186-76	34186-76	each SHAFT, SHIFTER FORKS, BIG TWIN 1976-1984
25	A-34435-52	34435-52	each BUSHING, SHIFTER SHAFT (FOOT SHIFT), BIG TWIN 1941-1978
26	J-1-32	34447-52	each RATCHET ARM LEVER, **CHROME**, BIG TWIN 1952-E/1979
	J-1-28	34447-74	each RATCHET ARM LEVER, **CHROME**, BIG TWIN 1974-E/1979
27	A-34477-53	34477-53	each SHIFTER PAWL, LEFT SIDE **4-SPEED**, BIG TWIN 1952-1975
28	A-34478-53	34478-53	each SHIFTER PAWL, RIGHT SIDE **4-SPEED**, BIG TWIN 1952-1975
29	A-34478-75	34478-75	each SHIFTER PAWL,CENTER GROOVE **4-SPEED**,BIG TWIN 1952-1975
30	A-34482-53	34482-53	pk-10 SPRING, SHIFTER PAWLS **4-SPEED**, BIG TWIN 1952-1975
31	A-34498-52	34498-52	each BUSHING, PAWL CARRIER **4-SPEED**, BIG TWIN 1952-1978
32	A-34500-52A	34500-52A	pk-10 SPRINGS, PAWL CARRIER **4-SPEED**, BIG TWIN 1952-1979
34	L-3-965	34552-52	pk-10 GASKET, SHIFTER COVER TOP, BIG TWIN 1952-1979
35	J-1-29	34555-52	each COVER, DUST SHIELD **CHROME**, BIG TWIN 1952-E/1979
	J-1-30	34555-74	each COVER, DUST SHIELD **CHROME**, BIG TWIN 1974-E/1979
36	L-3-966	34565-52	pk-10 GASKET, ADAPTER PLATE **4-SPEED**, BIG TWIN 1952-1979
37	A-34803-59	34803-59	each SHIFTER COVER,RATCHET LID(POLISHED ALUMINUM), B/T 1959-'79
38	L-3-961	34824-36	pk-10 GASKET, SHIFTER COVER **4-SPEED**, BIG TWIN 1936-E/1979
39	J-1-26		kit KIT,RATCHET ARM & DUST SHIELD*CHROME*,BIG TWIN 1952-E/1979
	J-1-27		kit KIT,RATCHET ARM & DUST SHIELD*CHROME*,BIG TWIN 1974-E/1979

# \*\*EASTERN MOTORCYCLE PARTS\*\*

## \*\*ROTOR TOP\*\*

### \*\*FOOT SHIFT\*\*

### \*\*BIG TWIN 1979-1984\*\*



**\*\*CONTINUED NEXT PAGE\*\***



# **\*\*EASTERN MOTORCYCLE PARTS\*\***

## **\*\*ROTOR TOP\*\***

### **\*\*FOOT SHIFT\*\***

#### **\*\*BIG TWIN 1979-1984\*\***

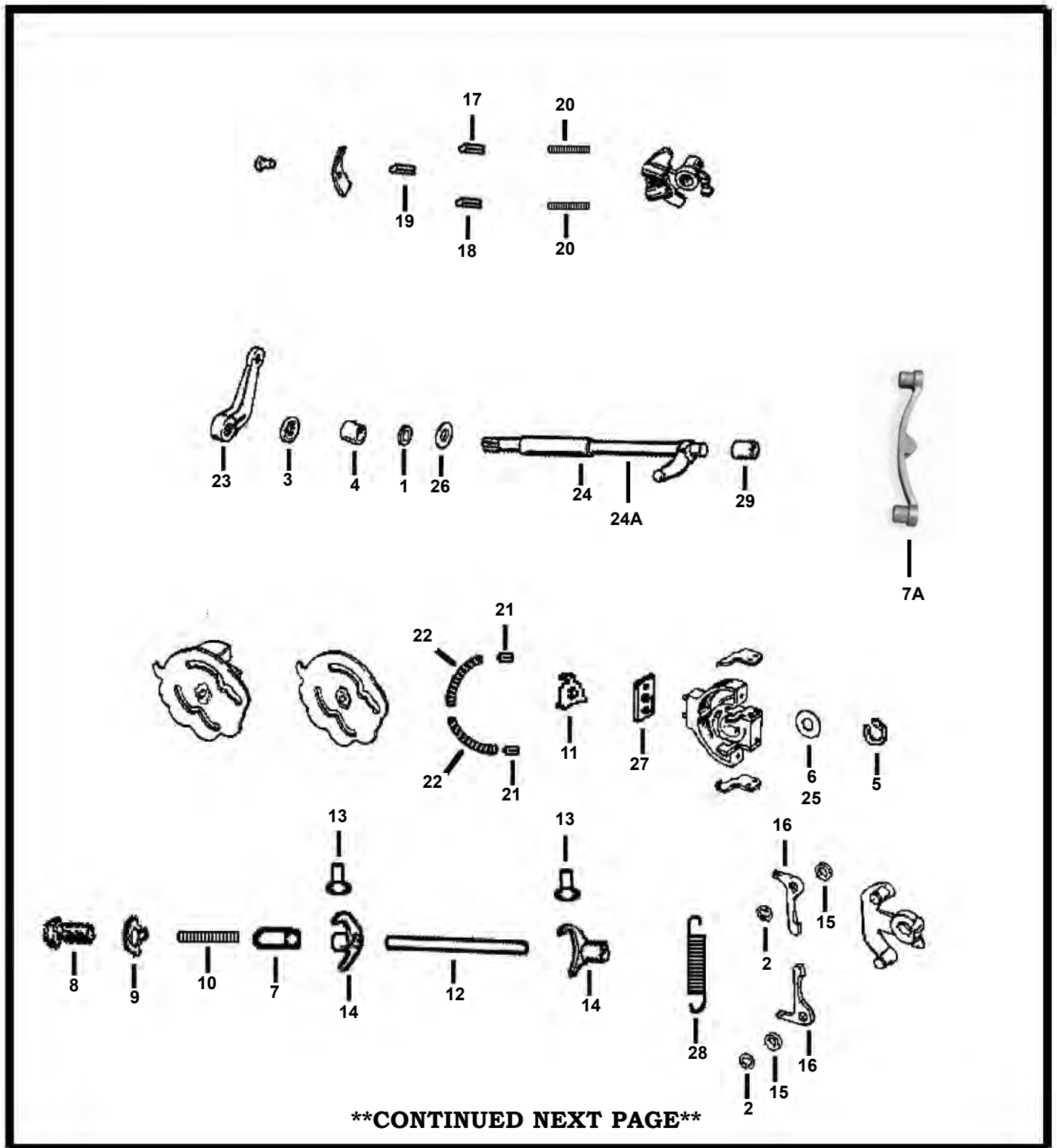
<b>DIAGRAM NUMBER</b>	<b>EASTERN NUMBER</b>	<b>REPLACES OEM</b>	<b>DESCRIPTION</b>
1	A-6701	6701	pk-25 WASHER, **STEEL** 3/8" X 13/16" X 1/16" THICK
2	A-6703	6703	pk-25 WASHER, **STEEL** 1/4" X 5/8" X 1/16" THICK
3	A-6750	6750	pk-10 SHIMS, (+.007) SHIFTER FORKS **4-SPEED**, BIG TWIN 1935-1984
4	A-6752	6752	pk-10 SHIMS, (+.015) SHIFTER FORKS **4-SPEED**, BIG TWIN 1935-1984
5	36-0198	7036	pk-100 LOCK WASHERS, REGULAR #12 **ZINC PLATED**
6	35-0532	7775	pk-10 NYLOCK NUT, (CAD.) 3/8-24 THREAD **9/16 HEX**
7	A-11016	11016	pk-10 RETAINING RING, SHIFTER LEVER PIN(5-SPEED), B/T 1980-2001
8	A-11036	11036	pk-10 RETAINING RING, SHIFTER FORK SHAFT, BIG TWIN 1976-1986
9	A-12010	12010	pk-5 OIL SEAL, FOOT SHIFTER COVER, BIG TWIN 1979-1985
10	A-25811-11	25811-11	pk-10 WASHER, (FIBER) IDLER GEAR STUD*PHENOLIC*, B/T 1965-E/1979
11	A-32535-48	32535-48	pk-5 THRUST WASHER, TIMER SHAFT (.062), BIG TWIN 1937-1969
	A-32536-48	32536-48	pk-5 THRUST WASHER, TIMER SHAFT (.066), BIG TWIN 1937-1969
	A-32537-48	32537-48	pk-5 THRUST WASHER, TIMER SHAFT (.072), BIG TWIN 1937-1969
	A-32538-48	32538-48	pk-5 THRUST WASHER, TIMER SHAFT (.076), BIG TWIN 1937-1969
	A-32538-KIT		set-4 THRUST WASHER, TIMER SHAFT (.062 TO .076), BIG TWIN 1937-1969
12	A-33187-79	33187-79	pk-5 BUSHING, (STD.) SHIFTER LEVER *4-SPEED*, BIG TWIN L/1979-1985
	A-33187-91		pk-5 BUSHING, (+.005) SHIFTER LEVER *4-SPEED*, BIG TWIN L/1979-1985
	A-33187-92		pk-5 BUSHING, (+.010) SHIFTER LEVER *4-SPEED*, BIG TWIN L/1979-1985
	A-33187-93		pk-5 BUSHING, (+.015) SHIFTER LEVER *4-SPEED*, BIG TWIN L/1979-1985
13	L-3-920	33196-79	pk-10 GASKET, SHAFT COVER **4-SPEED**, BIG TWIN 1979-1986
14	A-33197-79	33197-79	pk-10 LOCK TAB, PLUNGER BODY BOLT **TRANS**, BIG TWIN 1979-1984
15	A-33199-79	33199-79	pk-10 SPRING, SHIFTER PAWLS **4-SPEED**, BIG TWIN 1979-1984
16	A-33201-79	33201-79	pk-10 SPRING, SHIFTER PAWL CARRIER **4-SPEED**, BIG TWIN 1979-1984
16A	A-33901-79	33901-79	each SWITCH, NEUTRAL INDICATOR LIGHT, BIG TWIN L/1979-1983
17	A-34036-36	34036-36	pk-10 SEAL, SHIFTER CAM SHAFT, BIG TWIN 1937-1979
	A-34036-80	34036-80	pk-10 O-RING, SHIFTER CAM SHAFT & STARTER MOTOR, B/T 1980-1984
18	A-34040-52	34040-52	pk-10 RETAINING RING, SHIFTER CAM **4-SPEED**, BIG TWIN 1979-1986
19	A-34062-52	34062-52	each CAM FOLLOWER, FOR SPRING RETAINER, BIG TWIN 1952-E/1984
20	A-34068-52A	34068-52A	pk-10 SPRING, CAM FOLLOWER, BIG TWIN 1952-1982
21	A-34158-36	34158-36	each SHIFTER FORK, MAINSHAFT **4-SPEED**, BIG TWIN 1936-1984
22	A-34159-36	34159-36	each SHIFTER FORK, COUNTERSHAFT **4-SPEED**, BIG TWIN 1936-1984
23	A-34168-52	34168-52	pk-10 ROLLER, SHIFTER FINGER (HATS) **4-SPEED**, BIG TWIN 1979-1984
24	A-34179-33	34179-33	pk-5 NUT, SHIFTER FINGER BUSHING **4-SPEED**, BIG TWIN 1935-1984
25	A-34179-KIT		kit NUT & LOCK KIT, SHIFTER FINGER *BUSHING*, BIG TWIN 1935-1984
			<b>KIT INCLUDES: (2ea) 34179-33 &amp; (2ea) 34180-33</b>
26	A-34180-33	34180-33	pk-10 LOCK-TAB. SHIFTER FORK NUTS, BIG TWIN 1935-1986
26A	A-34184-79	34184-79	each SHIFTER FINGER, **FOR SHAFT**, BIG TWIN L/1979-1984
27	A-34186-76	34186-76	each SHAFT, SHIFTER FORKS, BIG TWIN 1976-1984
28	A-34461-72	34461-72	pk-5 SPACER, SHIFTER PAWL **4-SPEED**, BIG TWIN L/1979-1984
29	A-34476-72	34476-72	pair SHIFTER PAWLS, R OR L SIDE **4-SPEED**, BIG TWIN 1979-1986
30	L-3-921	34824-79	pk-10 GASKET, SHIFTER COVER **4-SPEED**, BIG TWIN 1936-E/1979
31	A-35336-74	35336-74	pk-5 THRUST WASHER, SHIFTER CAM, BIG TWIN L/1979-1984

# \*\*EASTERN MOTORCYCLE PARTS\*\*

## \*\*SHIFTER LINKAGE\*\*

\*\*4-SPEED\*\*

\*\*SPORTSTER 1954-1985\*\*



\*\*CONTINUED NEXT PAGE\*\*

# **\*\*EASTERN MOTORCYCLE PARTS\*\***

## **\*\*SHIFTER LINKAGE\*\***

### **\*\*4-SPEED\*\***

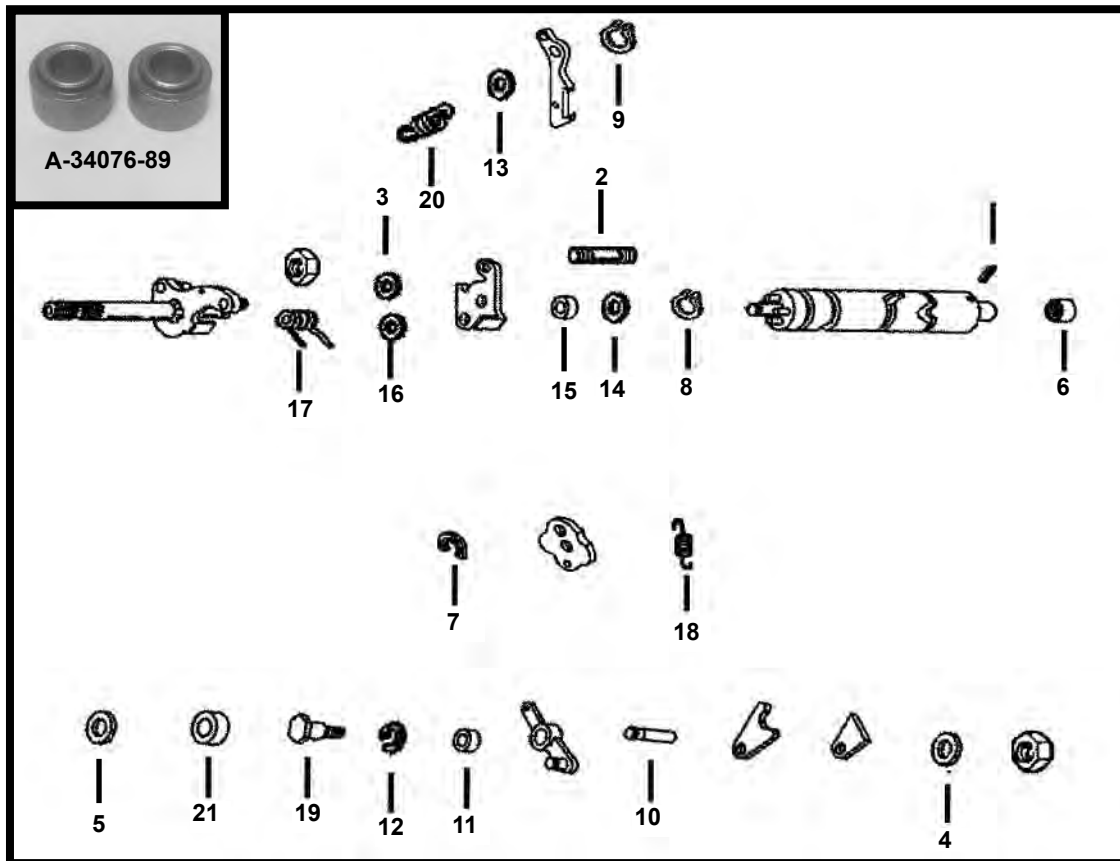
### **\*\*SPORTSTER 1954-1985\*\***

<u>DIAGRAM NUMBER</u>	<u>EASTERN NUMBER</u>	<u>REPLACES OEM</u>	<u>DESCRIPTION</u>
1	A-6807W	6807W	pk-25 WASHER, **1/2 X 3/4 X 1/32 THICK** (ZINC PLATED) SPORT. 1954-'74
2	A-11036	11036	pk-10 RETAINING RING, SHIFTER FORK SHAFT, SPORTSTER 1972-1990
3	A-34035-52	34035-52	pk-5 OIL SEAL, SHIFTER SHAFT LEVER, SPORTSTER 1952-1990
4	A-34037-52	34037-52	pair BUSHING, SHIFTER SHAFT LEVER, SPORTSTER 1954-1974
5	A-34040-52	34040-52	pk-10 RETAINING RING, SHIFTER CAM, SPORTSTER 1952-1990
6	A-34060-52	34060-52	pk-5 THRUST WASHER, SHIFTER CAM, SPORTSTER 1952-1976
7	A-34062-52	34062-52	each CAM FOLLOWER, SPORTSTER 1952-1985
7A	A-34063-84B	34063-84B	each CAM FOLLOWER, SPORTSTER L/1984-1990
8	A-34065-52	34065-52	pk-10 SPRING, CAM FOLLOWER, SPORTSTER 1952-1985
9	A-34067-52	34067-52	pk-10 LOCK TAB, SHIFTER CAM, SPORTSTER 1952-1985
10	A-34068-52A	34068-52A	pk-10 SPRING, CAM FOLLOWER, SPORTSTER 1954-E/1984
11	A-34069-71	34069-71	pk-10 LOCK TAB, SHIFTER CAM BOLT, SPORTSTER 1954-1990
12	A-34141-52A	34141-52A	each SHIFTER SHAFT, SPORTSTER 1952-E/1984
13	A-34168-52	34168-52	pk-10 ROLLER, SHIFTER FINGER, SPORTSTER 1952-1990
14	A-34291-52B	34291-52B	each SHIFTER FORK, (STD) SPORTSTER 1954-1990
	A-34292-72A	34292-72A	each SHIFTER FORK, (+.020) SPORTSTER 1954-1990
	A-34293-72A	34293-72A	each SHIFTER FORK, (-.020) SPORTSTER 1954-1990
	A-34294-84	34294-84	each SHIFTER FORK, (+.010) SPORTSTER 1954-1990
	A-34295-84	34295-84	each SHIFTER FORK, (-.010) SPORTSTER 1954-1990
	A-34296-84	34296-84	each SHIFTER FORK, (+.005) SPORTSTER 1954-1990
	A-34297-84	34297-84	each SHIFTER FORK, (-.005) SPORTSTER 1954-1990
	A-34297-86		each SHIFTER FORK, (+.030) SPORTSTER 1954-1990
	A-34297-87		each SHIFTER FORK, (-.030) SPORTSTER 1954-1990
15	A-34461-72	34461-72	pk-5 SPACER, SHIFTER PAWLS, SPORTSTER 1972-1990
16	A-34476-72	34476-52	pair SHIFTER PAWLS, (RIGHT & LEFT SIDE) SPORTSTER 1972-1990
17	A-34477-53	34477-53	each SHIFTER PAWL, (LEFT SIDE) SPORTSTER 1954-1971
18	A-34478-53	34478-53	each SHIFTER PAWL, (RIGHT SIDE) SPORTSTER 1954-1971
19	A-34478-75	34478-75	each SHIFTER PAWL, (CENTER GROOVE) SPORTSTER 1954-1971
20	A-34482-53	34482-53	pk-10 SPRING, SHIFTER PAWLS, SPORTSTER 1954-1971
21	A-34485-52	34485-52	pk-10 PLUG, SPRING RETAINER, SPORTSTER 1952-1990
22	A-34500-52A	34500-52A	pk-10 SPRING, PAWL CARRIER, SPORTSTER 1954-1990
23	O-6-042	34606-54A	each SHIFTER LEVER (NOT SPLINED) **CHROME** SPORT. 1954-1990
		34606-71	
24	A-34628-54A	34628-54A	each SHIFTER LEVER SHAFT, **WITH BALL** SPORTSTER 1954-1974
	A-34628-75	34628-75	each SHIFTER LEVER SHAFT, **WITH BALL** SPORTSTER 1975-1985
24A	A-34628-86	34628-86	each SHIFTER LEVER SHAFT, **WITH BALL** SPORTSTER 1986-1990
25	A-35336-74	35336-74	pk-5 THRUST WASHER, SHIFTER CAM, SPORTSTER 1977-1990
26	A-35404-74	35404-74	pk-5 SHIMS, SHIFTER LEVER, (.030) SPORTSTER 1977-1982
27	A-35891-66	35891-66	pk-10 SHIMS, PAWL CARRIER SUPPORT, (.010) SPORTSTER 1966-1985
28	A-37222-52	37222-52	pk-10 SPRING, CLUTCH WORM LEVER, SPORTSTER 1954-1990
29	A-40520-63	40520-63	pk-5 BUSHING, SHIFTER SHAFT (OIL-LITE) SPORTSTER 1977-2005

# \*\*EASTERN MOTORCYCLE PARTS\*\*

## \*\*SHIFTER\*\*

### \*\*SPORTSTER 1991-2003\*\*

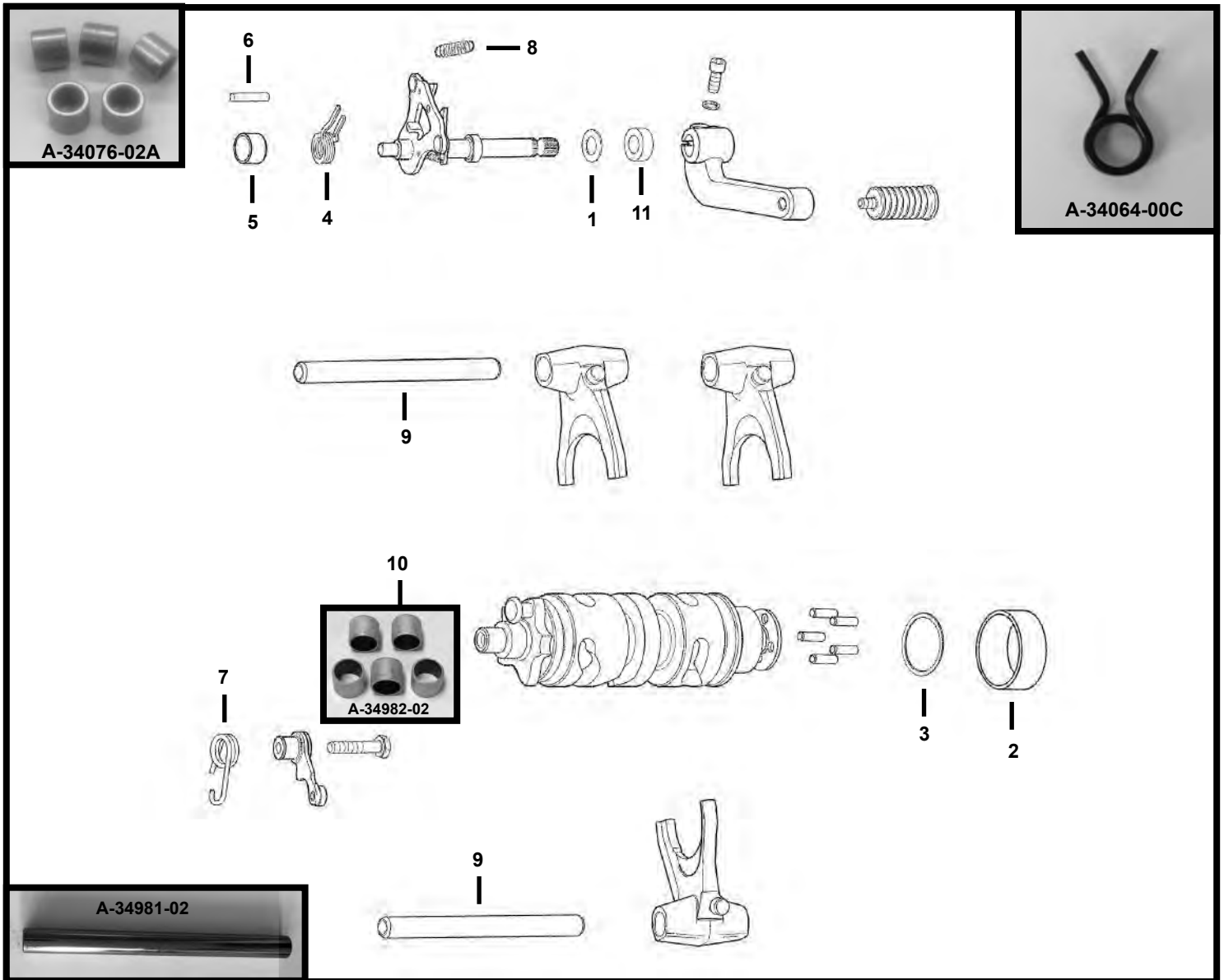


<u>DIAGRAM NUMBER</u>	<u>EASTERN NUMBER</u>	<u>REPLACES OEM</u>	<u>DESCRIPTION</u>
1	A-601	601	pk-25 ROLL PINS, **1/4 X 3/4** ZINC PLATED**
2	A-5226A	5226A	pk-5 STUD, SHIFTER BASE PLATE, SPORTSTER 1991-2003
3	A-6016	6016	pk-25 WASHERS, **11/32 X 11/16 X 1/16** (ZINC PLATED)
4	A-6099	6099	pk-25 WASHERS, **1/4 X 7/16 X 1/16** (ZINC PLATED)
5	A-7019	7019	pk-25 WASHERS, (RUBBER) **1/2 X 3/4 X 1/4' THICK**
6	A-9151	9151	each BEARING, SHIFTER DRUM END, SPORTSTER 1991-2003
7	A-11019	11019	pk-10 RETAINING RING, DETENT PLATE, SPORTSTER 1991-2003
8	A-11031	11031	pk-10 RETAINING RING, SHIFTER DRUM, SPORTSTER 1991-2003
9	A-11185	11185	pk-10 RETAINING RING, SHIFTER PAWL, SPORTSTER 1991-2003
10	A-24530-90	24530-90	pk-5 SPRING PIN, DETENT ARM, SPORTSTER 1991-2003
11	A-33652-90	33652-90	pk-10 ROLLER, DETENT ARM, SPORTSTER 1991-2003
12	A-33653-90	33653-90	pk-10 RETAINING RING, DETENT ARM, SPORTSTER 1991-2003
13	A-34073-91	34073-91	pk-10 SPACER, SHIFTER PAWL, SPORTSTER 1991-2003
14	A-34075-89	34075-89	pk-10 WASHER, BUSHING RETAINER, SPORTSTER 1991-2003
15	A-34076-89	34076-89	pair BUSHING, SHIFTER SHAFT, SPORTSTER 1991-2003
16	A-34077-91	34077-91	pk-10 WASHER, SHIFTER HAT, SPORTSTER 1991-2003
17	A-34481-91	34481-91	pk-10 SPRING SHIFTER ARM SHAFT, SPORTSTER 1991-2003
18	A-34483-90	34483-90	pk-10 SPRING, DETENT ARM, SPORTSTER 1991-2003
19	A-34483-02	34483-02	pk-10 SPRINGS, DETENT ARM, **5-SPEED** SPORTSTER 2004-PRESENT
20	A-34486-90	34486-90	each SCREW, DETENT ARM, SPORTSTER 1991-2003
21	A-34491-91	34491-91	pk-10 SPRING, SHIFTER PAWL ARM, SPORTSTER 1991-2003
21	A-37101-84	37101-84	pk-5 OIL SEAL, SHIFTER SHAFT LEVER, SPORTSTER 1986-PRESENT

# \*\*EASTERN MOTORCYCLE PARTS\*\*

## \*\*SHIFTER\*\*

### \*\*SPORTSTER 2004-PRESENT\*\*



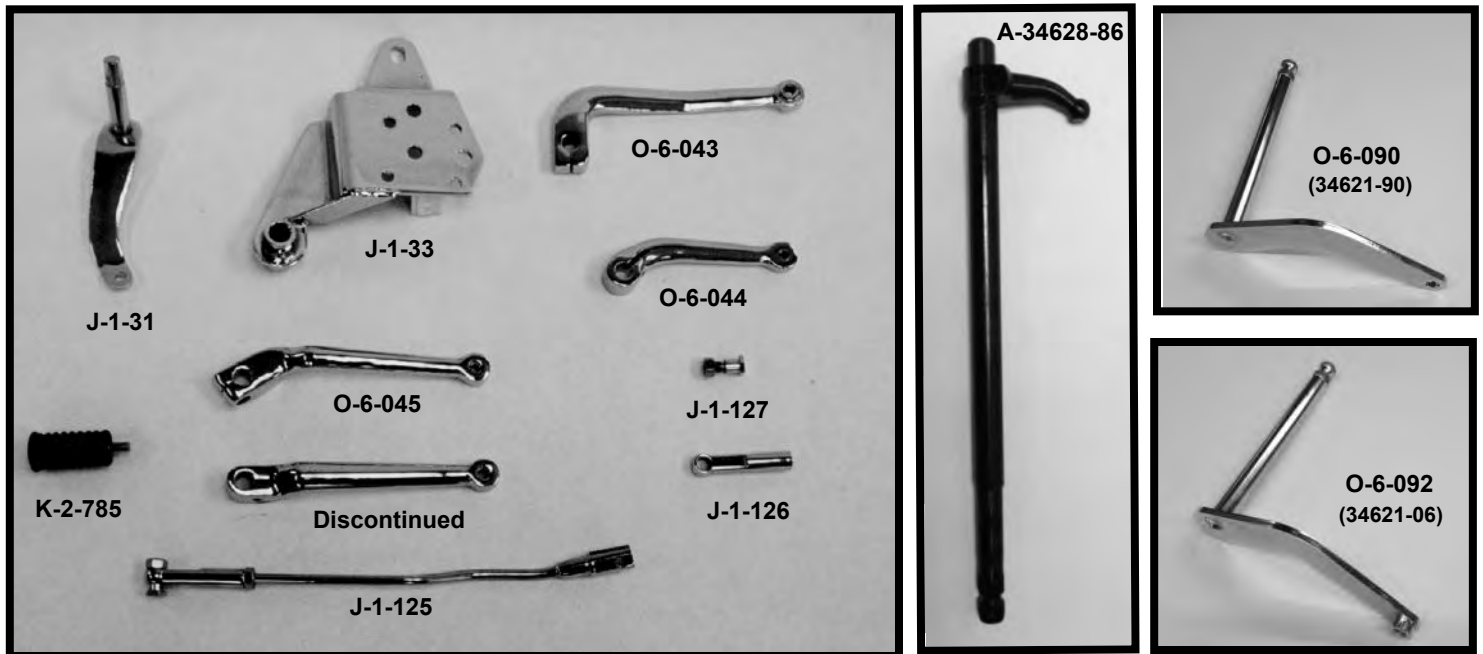
<u>DIAGRAM NUMBER</u>	<u>EASTERN NUMBER</u>	<u>REPLACES OEM</u>	<u>DESCRIPTION</u>
1	A-7019	7019	pk-25 WASHER **RUBBER** 1/2X3/4X1/4' THICK
2	A-9187	9187	each BEARING, SHIFTER CAM ASSEMBLY, SPORTSTER 2004-PRESENT
3	42-0104	11360	pk-10 RETAINING RING, SHIFTER CAM, SPORTSTER 2004-PRESENT
4	A-34064-00C	34064-00C	pk-10 SPRING, SHIFTER LEVER, SPORTSTER 2004-PRESENT
5	A-34076-02A	34076-02A	pk-5 BUSHING, SHIFTER LEVER ASSEMBLY, SPORTSTER 2004-PRESENT
6		34163-02	pk- PIN
7	A-34483-02	34483-02	pk-10 SPRING, DETENT ASSEMBLY, SPORTSTER 2004-2005
	A-34483-06	34483-06	pk-10 SPRINGS, DETENT ARM, **5-SPEED** SPORTSTER 2006-PRESENT
8	* A-34491-02A	34491-02A	pk-5 SPRING, SHIFTER LEVER ASSEMBLY, SPORTSTER 2004-PRESENT
9	A-34981-02	34981-02	each SHAFT, SHIFTER FORKS, SPORTSTER 2004-PRESENT
10	A-34982-02	34982-02	pk-5 BUSHING, RIGHT SIDE CRANKCASE, SPORTSTER 2004-PRESENT
11	A-37101-84	37101-84	pk-5 OIL SEAL, SHIFTER SHAFT LEVER, SPORTSTER 2004-PRESENT

# **\*\*EASTERN MOTORCYCLE PARTS\*\***

## **\*\*SHIFTER LEVERS, RODS\*\***

### **\*\*AND BRACKETS\*\***

### **\*\*BIG TWIN-SPORTSTER\*\***



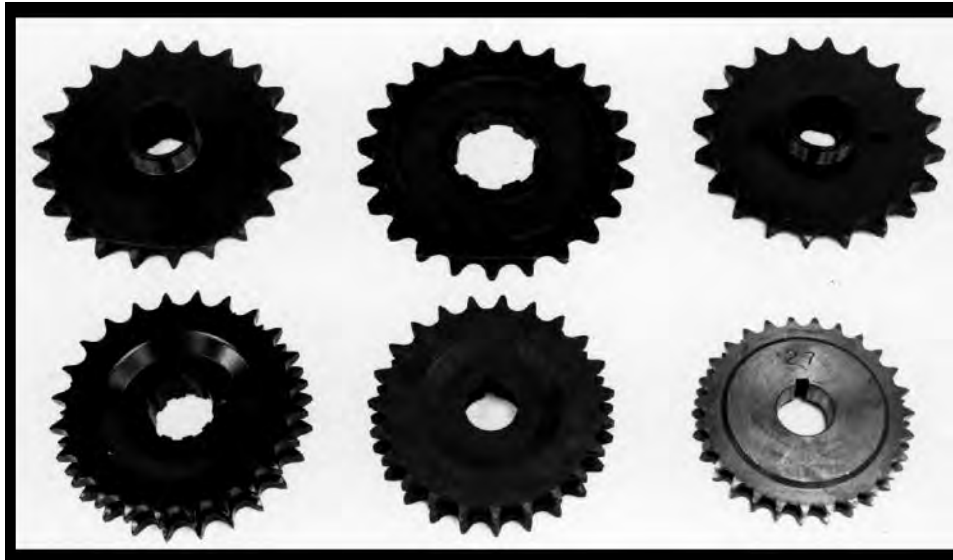
<u>EASTERN NUMBER</u>	<u>REPLACES OEM</u>		<u>DESCRIPTION</u>
J-1-33	33630-52	each	FOOT SHIFTER BRACKET, <b>**CHROME**</b> BIG TWIN 1952-1973
O-6-045	33640-83	each	FOOT SHIFTER LEVER, (HEAL SHIFT) <b>**CHROME**</b> BIG TWIN 1983-1995 & 1986-1995
J-1-31	33660-54	each	FOOT SHIFTER LEVER, <b>**CHROME**</b> BIG TWIN 1952-1964
J-1-125	33851-52	each	FOOT SHIFTER ROD, (COMPLETE) <b>**CHROME**</b> BIG TWIN 1952-1984
	33870-51		
	33878-51		
J-1-126	33870-51	each	SHIFTER ROD CLEVIS, <b>**CHROME**</b> BIG TWIN 1937-1979
	33871-67		
J-1-127	33878-51	each	CLEVIS, NUT AND BOLT, BIG TWIN 1937-1979
J-1-26	34447-52	kit	RATCHET ARM AND DUST SHIELD, <b>**CHROME**</b> BIG TWIN 1952-E/1979
	34455-52		
J-1-32	34447-52	each	RATCHET ARM, <b>**CHROME**</b> BIG TWIN 1952-E/1979
J-1-27	34447-74	kit	RATCHET ARM AND DUST SHIELD, <b>**CHROME**</b> BIG TWIN 1974-E/1979
	34555-74		
J-1-28	34447-74	each	RATCHET ARM, <b>**CHROME**</b> BIG TWIN 1974-E/1979
J-1-29	34555-52	each	COVER, DUST SHIELD, <b>**CHROME**</b> BIG TWIN 1952-E/1979
J-1-30	34555-74	each	COVER, DUST SHIELD, <b>**CHROME**</b> BIG TWIN 1974-E/1979
O-6-043	34564-74A	each	FOOT SHIFTER LEVER, (TOE SHIFT) <b>**CHROME**</b> BIG TWIN 1974-1985
O-6-042	34606-54A	each	FOOT SHIFTER LEVER, <b>*NOT SPLINED*</b> (TOE SHIFT) <b>**CHROME**</b> BIG TWIN 1941-1973, SPORTSTER 1954-1970
	34606-71		
O-6-044	34606-75	each	FOOT SHIFTER LEVER, (TOE SHIFT) <b>**CHROME**</b> SPORTSTER 1977-1985
K-2-785	34609-52	each	FOOT SHIFTER RUBBER, BIG TWIN 1954-1965, SPORTSTER 1952-1965
O-6-090	34621-90	each	SHIFTER LEVER, <b>*SPLINED*</b> <b>**CHROME**</b> BIG TWIN 1991-2005
O-6-092	34621-06	each	SHIFTER LEVER, <b>*SPLINED*</b> <b>**CHROME**</b> BIG TWIN 200-PRESENT
A-34628-86	34628-86	each	SHIFTER LEVER SHAFT, <b>**WITH BALL**</b> SPORTSTER 1986-1990

# **\*\*EASTERN MOTORCYCLE PARTS\*\***

## **\*\*SPROCKETS\*\***

### **\*\*MOTOR AND COUNTERSHAFT\*\***

### **\*\*BIG TWIN/SPORTSTER/FORTY-FIVE\*\***



**COMPENSATING SPROCKETS**

<b><u>EASTERN NUMBER</u></b>	<b><u>REPLACES OEM</u></b>	<b><u>DESCRIPTION</u></b>
A-2035-15	2035-15 each	SPROCKET, COUNTERSHAFT, **3-SPEED** (28-TOOTH) BIG TWIN 1915-1936
W-14-806-24	33333-79B each	SPROCKET, COUNTERSHAFT, **5-SPEED** (24-TOOTH) BIG TWIN 1979-1984
W-14-806-22	33336-83 each	SPROCKET, COUNTERSHAFT, **5-SPEED** (22-TOOTH) BIG TWIN 1979-1984
W-14-803-23	33337-83 each	SPROCKET, COUNTERSHAFT, **4-SPEED** (23-TOOTH) BIG TWIN 1980-1985
W-14-806-23	33337-83 each	SPROCKET, COUNTERSHAFT, **5-SPEED** (23-TOOTH) BIG TWIN 1979-1984
W-14-803-22	33338-83 each	SPROCKET, COUNTERSHAFT, **4-SPEED** (22-TOOTH) BIG TWIN 1980-1985
W-14-802-19	35197-52 each	SPROCKET, COUNTERSHAFT, **4-SPEED** (19-TOOTH) SPORTSTER 1954-E/1979
W-14-802-20	35198-52 each	SPROCKET, COUNTERSHAFT, **4-SPEED** (20-TOOTH) SPORTSTER 1954-E/1979
W-14-801-22	35203-36 each	SPROCKET, COUNTERSHAFT, **4-SPEED** (22-TOOTH) BIG TWIN 1936-1979

**\*\*SEE PAGE 327 FOR REAR WHEEL SPROCKETS\*\***

**\*\*CONTINUED NEXT PAGE\*\***

**\*5120 HILDA ROAD\* BLACKVILLE, S.C. 29817\* 803-284-3304\***

**\*Pg 277\***

# **\*\*EASTERN MOTORCYCLE PARTS\*\***

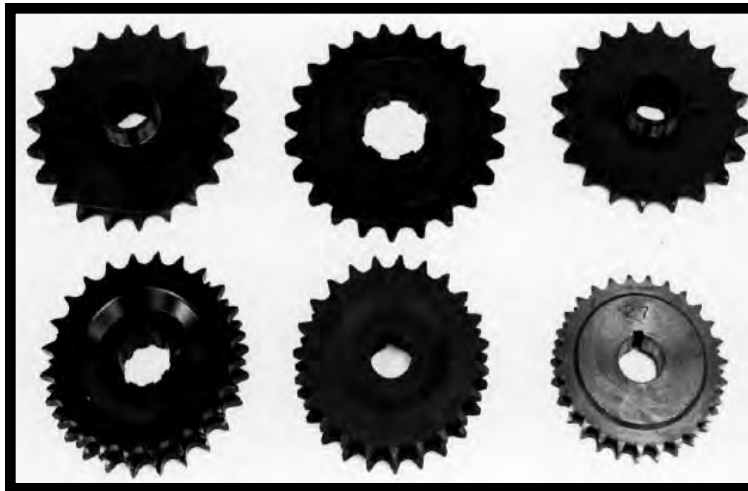
## **\*\*SPROCKETS\*\***

### **\*\*MOTOR AND COUNTERSHAFT\*\***

### **\*\*BIG TWIN/SPORTSTER/FORTY-FIVE\*\***



W-14-426-34



A-40320-06

<b><u>EASTERN NUMBER</u></b>	<b><u>REPLACES OEM</u></b>		<b><u>DESCRIPTION</u></b>
W-14-802-21	35205-52A	each	SPROCKET, COUNTERSHAFT, **4-SPEED** (21-TOOTH) SPORTSTER 1954-E/1979
W-14-802-22		each	SPROCKET, COUNTERSHAFT, **4-SPEED** (22-TOOTH) SPORTSTER 1954-E/1979
W-14-802-23		each	SPROCKET, COUNTERSHAFT, **4-SPEED** (23-TOOTH) SPORTSTER 1954-E/1979
W-14-804-21	35205-79	each	SPROCKET, COUNTERSHAFT, **4-SPEED** (21-TOOTH) SPORTSTER L/1979-1984
W-14-804-22	35206-79	each	SPROCKET, COUNTERSHAFT, **4-SPEED** (22-TOOTH) SPORTSTER L/1979-1984
W-14-804-23		each	SPROCKET, COUNTERSHAFT, **4-SPEED** (23-TOOTH) SPORTSTER L/1979-1984
W-14-805-21	35208-84	each	SPROCKET, COUNTERSHAFT, **4-SPEED** (21-TOOTH) SPORTSTER L/1984-1990
W-14-805-22	35209-85	each	SPROCKET, COUNTERSHAFT, **4-SPEED** (22-TOOTH) SPORTSTER L/1984-1990
W-14-805-23		each	SPROCKET, COUNTERSHAFT, **4-SPEED** (23-TOOTH) SPORTSTER L/1984-1990
W-14-801-23	35212-41	each	SPROCKET, COUNTERSHAFT, **4-SPEED** (23-TOOTH) BIG TWIN 1936-1979
W-14-803-24	35212-80	each	SPROCKET, COUNTERSHAFT, **4-SPEED** (24-TOOTH) BIG TWIN 1980-1985
W-14-801-24	35213-41	each	SPROCKET, COUNTERSHAFT, **4-SPEED** (24-TOOTH) BIG TWIN 1936-1979
W-14-801-25	35214-41	each	SPROCKET, COUNTERSHAFT, **4-SPEED** (25-TOOTH) BIG TWIN 1936-1979
W-14-801-26	35215-41	each	SPROCKET, COUNTERSHAFT, **4-SPEED** (26-TOOTH) BIG TWIN 1936-1979
W-14-428-23	40210-30	each	SPROCKET, MOTOR, **DUAL ROW** (23-TOOTH) BIG TWIN 1936-1954
W-14-428-24	40211-30	each	SPROCKET, MOTOR, **DUAL ROW** (24-TOOTH) BIG TWIN 1936-1954
W-14-428-25	40212-30	each	SPROCKET, MOTOR, **DUAL ROW** (25-TOOTH) BIG TWIN 1936-1954
W-14-429-23	40210-55	each	SPROCKET, MOTOR, **DUAL ROW** (23-TOOTH) BIG TWIN 1955-1984
W-14-429-24	40211-55	each	SPROCKET, MOTOR, **DUAL ROW** (24-TOOTH) BIG TWIN 1955-1984
W-14-429-25	40212-55	each	SPROCKET, MOTOR, **DUAL ROW** (25-TOOTH) BIG TWIN 1955-1984
W-14-426-27	40235-29	each	SPROCKET, MOTOR, **DUAL ROW** (27-TOOTH) FORTY-FIVE 1929-1973
W-14-426-28	40236-29	each	SPROCKET, MOTOR, **DUAL ROW** (28-TOOTH) FORTY-FIVE 1929-1973
W-14-426-29	40237-29	each	SPROCKET, MOTOR, **DUAL ROW** (29-TOOTH) FORTY-FIVE 1929-1973
W-14-426-30	40238-29	each	SPROCKET, MOTOR, **DUAL ROW** (30-TOOTH) FORTY-FIVE 1929-1973
W-14-426-31	40239-29	each	SPROCKET, MOTOR, **DUAL ROW** (31-TOOTH) FORTY-FIVE 1929-1973
W-14-426-32		each	SPROCKET, MOTOR, **DUAL ROW** (32-TOOTH) FORTY-FIVE 1929-1973
W-14-426-33		each	SPROCKET, MOTOR, **DUAL ROW** (33-TOOTH) FORTY-FIVE 1929-1973
W-14-426-34		each	SPROCKET, MOTOR, **DUAL ROW** (34-TOOTH) FORTY-FIVE 1929-1973
W-14-432-22	40280-70	each	COMPENSATING SPROCKET, MOTOR, **DUAL ROW** (22-TOOTH) BIG TWIN 1970-1986
W-14-432-23	40282-70	each	COMPENSATING SPROCKET, MOTOR, **DUAL ROW** (23-TOOTH) BIG TWIN 1970-1986
W-14-432-24	40295-70	each	COMPENSATING SPROCKET, MOTOR, **DUAL ROW** (24-TOOTH) BIG TWIN 1970-1986
A-40320-06	40320-06	each	SPROCKET, MOTOR, **DUAL ROW** (34-TOOTH) BIG TWIN 2007-2010

**\*\*SEE PAGE 327 FOR REAR WHEEL SPROCKETS\*\***

**\*5120 HILDA ROAD\* BLACKVILLE, S.C. 29817\* 803-284-3304\***



**\*\*CARBURETOR\*\***

**\*\*LINE DRAWINGS\*\***

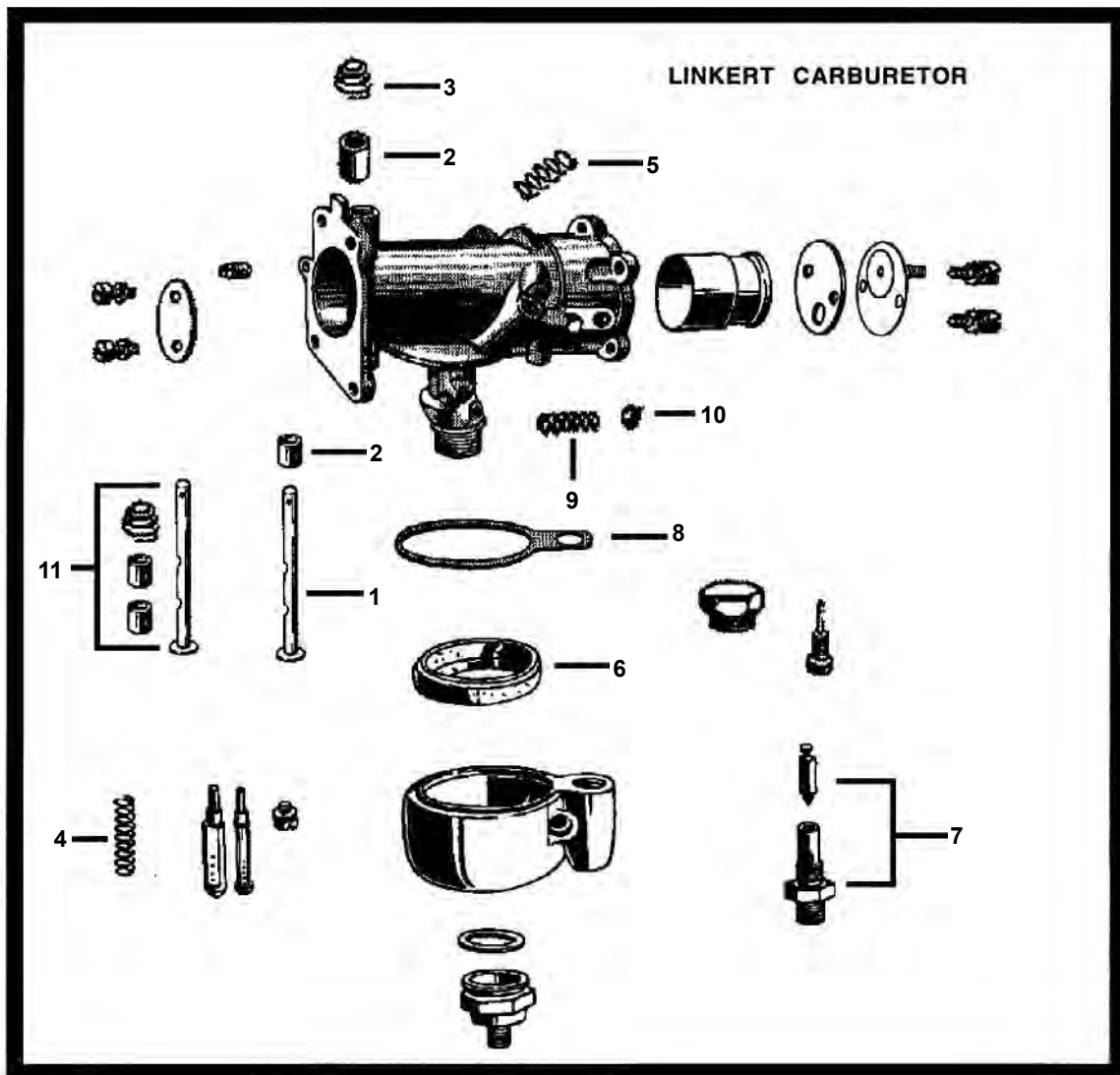
**\*\*BENDIX, KEIHIM, LINKERT\*\***

- 
- \* FLOATS**
  - \* GASKETS**
  - \* MAIN AND LOW JETS**
  - \* MANIFOLD SEALS**
  - \* MANIFOLD ADAPTERS**
  - \* O-RINGS**
  - \* REPAIR KITS**
  - \* SPRINGS**
  - \* THROTTLE SHAFTS & KITS**

# \*\*EASTERN MOTORCYCLE PARTS\*\*

## \*\*CARBURETOR\*\*

### \*\*BIG TWIN/FORTY-FIVE\*\*



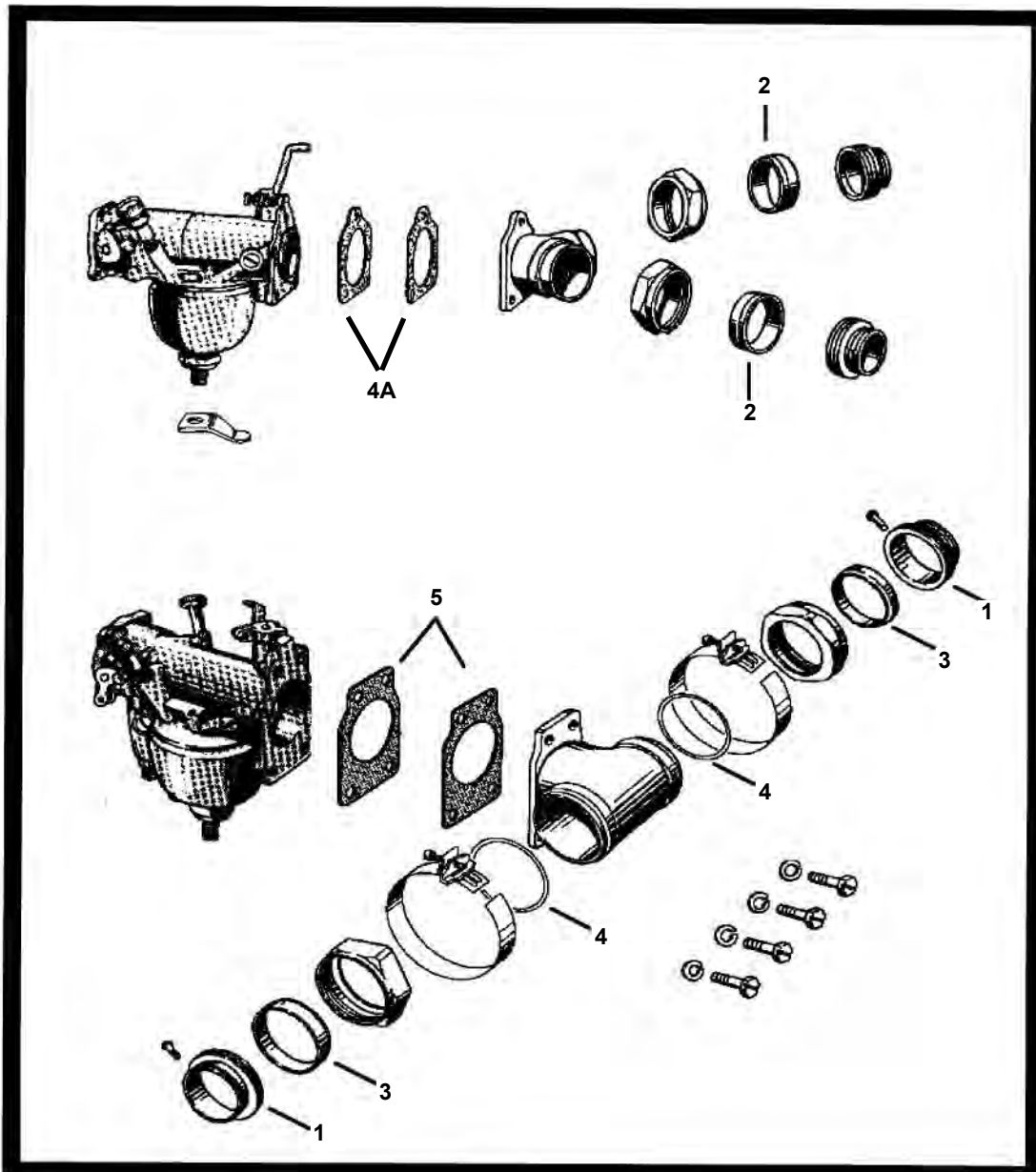
<u>DIAGRAM NUMBER</u>	<u>EASTERN NUMBER</u>	<u>REPLACES OEM</u>	<u>DESCRIPTION</u>
1	A-27275-24	27275-24	each THROTTLE SHAFT, **1-1/4" LONG** B/T 1942-1948, F-F 1930-1952
	A-27275-26	27275-26	each THROTTLE SHAFT, **1" LONG** LINKERT, FORTY-FIVE 1936-1954
	A-27276-40	27276-40	each THROTTLE SHAFT, **1-1/2" LONG** B/T '40-'65, K-MODEL 1952-1956
2	A-27290-24	27290-24	pk-5 THROTTLE SHAFT BUSHING, BIG TWIN 1931-1965, SP. 1952-1965
3	A-27291-32	27291-32	pk-10 THROTTLE SHAFT SPRING, BIG TWIN 1931-1965, SPORT. 1957-1965
4	A-27330-33	27330-33	pk-10 SPRING, MAIN NOZZLE RETAINER, BIG TWIN 1933-1965
5	A-27349-27	27349-27	pk-10 SPRING, LOW SPEED VALVE LEVER, BIG TWIN 1933-1965
6	A-27380-50	27380-33	each FLOAT, **BRASS** BIG TWIN 1933-1965
7	A-27382-33	27382-33	each FLOAT VALVE AND NEEDLE, **RUBBER TIP** BIG TWIN 1933-1965
8	L-3-761	27391-36	pk-10 GASKET, FLOAT BOWL, BIG TWIN 1936-1965
9	A-27405-26	27405-26	pk-10 SPRING, FRICTION BALL, BIG TWIN 1926-1965
10	A-27406-26	27406-26	pk-25 BALL BEARING, **1/8" DIAMETER** BIG TWIN
11	A-27273-KIT		THROTTLE SHAFT KIT INCL: (1) 27275-26, (2) 27290-24, (1) 27291-32
	A-27275-KIT		THROTTLE SHAFT KIT INCL: (1) 27275-24, (2) 27290-24, (1) 27291-32
	A-27276-KIT		THROTTLE SHAFT KIT INCL: (1) 27276-40, (2) 27290-24, (1) 27291-32

# **\*\*EASTERN MOTORCYCLE PARTS\*\***

## **\*\*CARBURETOR\*\***

**\*\*BIG TWIN 1937-1957\*\***

**\*\*FORTY-FIVE 1937-1957\*\***



**DIAGRAM  
NUMBER**

**EASTERN  
NUMBER**

**REPLACES  
OEM**

**DESCRIPTION**

1	E-801	27039-48	set-2	O-RING ADAPTERS, WITH O-RINGS **STEEL** BIG TWIN 1948-1954
		27046-48		
	E-802	27039-48	set-2	O-RING ADAPTERS, WITH O-RINGS **ALUMINUM** BIG TWIN 1948-'54
		27046-48		
2	A-27058-30	27058-30	set-2	INTAKE MANIFOLD SEALS, **BRASS** B/T 1930-1948, F/F 1936-1973
3	A-27059-40	27059-40	set-2	INTAKE MANIFOLD SEALS, **BRASS** BIG TWIN 1940-1954
4	A-27060-55	27060-55	pk-10	O-RINGS, INTAKE MANIFOLD SEALS, BIG TWIN 1955-1978
4A	47-0447	27410-39	pk-10	GASKETS, CARBURETOR INSULATOR, BIG TWIN 1936-'48, F-F 1940-'73
5	L-3-810	27411-40	pk-10	GASKET, MANIFOLD TO CARBURETOR, BIG TWIN 1940-1965

**\*5120 HILDA ROAD\* BLACKVILLE, S.C. 29817\* 803-284-3304\***



# **\*\*EASTERN MOTORCYCLE PARTS\*\***

## **\*\*CARBURETOR\*\***

### **\*\*BENDIX\*\***

#### **\*\*BIG TWIN 1971-1975\*\***

#### **\*\*SPORTSTER 1972-E/1976\*\***

<b>DIAGRAM NUMBER</b>	<b>EASTERN NUMBER</b>	<b>REPLACES OEM</b>	<b>DESCRIPTION</b>
1	A-6016	6016 pk-25	WASHER, **11/32 X 11/16 X 1/16" THICK** (ZINC PLATED)
2	L-3-812	27023-71 pk-10	GASKET, CARBURETOR TO MANIFOLD, BIG TWIN 1971-1976, GASKET, CARBURETOR TO MANIFOLD, SPORTSTER 1972-1985
3	A-27060-55	27060-55 pk-10	O-RINGS, INTAKE MANIFOLD, BIG TWIN 1955-1978, O-RINGS, INTAKE MANIFOLD, SPORTSTER 1957-1978
4	A-27063-57	27063-57 pair	CLAMPS, INTAKE MANIFOLD <b>**WITH O-RINGS**</b> BIG TWIN 1955-1979, SPORTSTER 1957-1979
5	A-27272-71	27272-71 pk-10	SPRINGS, THROTTLE RETURN, BIG TWIN 1971-1975, SPRINGS, THROTTLE RETURN, SPORTSTER 1972-1976
6	A-27326-71	27326-71 pk-10	O-RINGS, BIG TWIN 1971-1975, SPORTSTER 1972-1976
7	A-27389-71	27389-71 each	RUBBER BOOT, ACCELERATOR PUMP, BIG TWIN 1971-1975, RUBBER BOOT, ACCELERATOR PUMP, SPORTSTER 1972-1976
8	A-27613-71	27613-71 pk-10	SPRINGS, THROTTLE STOP SCREW, BIG TWIN 1971-1975, SPRINGS, THROTTLE STOP SCREW, SPORTSTER 1972-1976
9	A-27642-71	27642-71 pk-10	SPRINGS, IDLE ADJUSTING SCREW, BIG TWIN 1971-1975, SPRINGS, IDLE ADJUSTING SCREW, SPORTSTER 1972-1976
10	L-3-771	27646-71 pk-10	GASKET, FLOAT BOWL, BIG TWIN 1971-1975, SPORTSTER 1972-1976
11	A-27659-71	27659-71 pk-10	SPRINGS, FLOAT PIN, BIG TWIN 1971-1975, SPORTSTER 1972-1976
12	A-27666-71	27666-71 pk-10	SPRINGS, FRICTION CHOKE, BIG TWIN 1971-1975, SPRINGS, FRICTION CHOKE, SPORTSTER 1972-1976
13	A-27762-71A	27762-71A each	ACCELERATOR PUMP, BIG TWIN 1971-1975, SPORTSTER 1972-1976
14	A-33298-65	33298-65 pk-10	STUD, **5/16-18 X 5/16-24** BIG TWIN 1971-1978, STUD, **5/16-18 X 5/16-24** SPORTSTER 1976-1978

### **\*\*CARBURETOR REPAIR KITS\*\***

A-27006-76	27006-76	REPAIR KIT, **KEIHIM CARBURETOR** B/T 1976-1978, SP. 1976-1978 <b>KIT INCLUDES:</b> DIAPHRAGM, O-RINGS (LARGE & SMALL) FLOAT VALVE W/CLIP, AND LOWER SPRING
A-27006-79	27006-79	REPAIR KIT, **KEIHIM CARBURETOR** B/T 1979-1983, SP. 1979-1982 <b>KIT INCLUDES:</b> DIAPHRAGM, O-RINGS (LARGE & SMALL) FLOAT VALVE W/CLIP, GASKET, RUBBER BOOT & LOWER SPRING
A-27006-83	27006-83	REPAIR KIT, **KEIHIM CARBURETOR** B/T 1984-1989, SP. 1983-1987 <b>KIT INCLUDES:</b> DIAPHRAGM, O-RINGS (LARGE & SMALL) FLOAT VALVE W/CLIP, GASKET, RUBBER BOOT & LOWER SPRING
A-27006-87	27006-87	REPAIR KIT, **KEIHIM CARBURETOR** (C.V) B/T 1990-1991, SP 1988-'91 <b>KIT INCLUDES:</b> DIAPHRAGM, O-RINGS (LARGE & SMALL) FLOAT VALVE W/CLIP, SEALS, RUBBER BOOT & LOWER SPRING
A-27132-71	27132-71	REPAIR KIT, **BENDIX CARBURETOR** B/T 1971-1975, SP. 1972-1976 <b>KIT INCLUDES:</b> GASKETS, WASHERS, O-RINGS (LARGE & SMALL) FLOAT VALVE W/CLIP, IDLE ADJ. SCREW, & ACCELERATOR PUMP

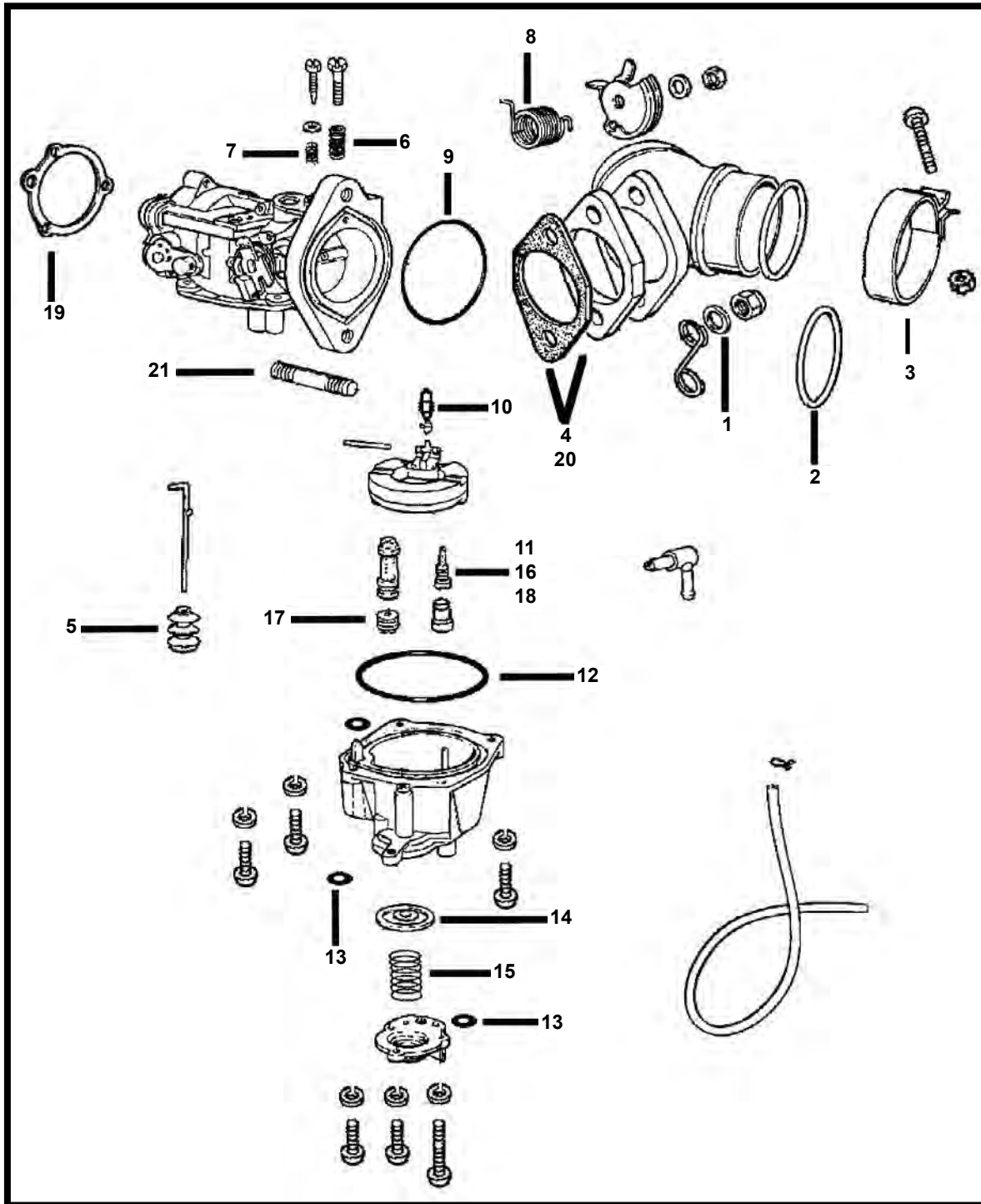
# **\*\*EASTERN MOTORCYCLE PARTS\*\***

## **\*\*CARBURETOR\*\***

### **\*\*KEIHIM\*\***

**\*\*BIG TWIN 1976-E/1978\*\***

**\*\*SPORTSTER 1976-1978\*\***



**\*\*CONTINUED NEXT PAGE\*\***

**\*5120 HILDA ROAD\* BLACKVILLE, S.C. 29817\* 803-284-3304\***

**\*Pg 284\***

# **\*\*EASTERN MOTORCYCLE PARTS\*\***

## **\*\*CARBURETOR\*\***

### **\*\*KEIHIM\*\***

**\*\*BIG TWIN 1976-E/1978\*\***

**\*\*SPORTSTER 1976-1978\*\***

<u>DIAGRAM NUMBER</u>	<u>EASTERN NUMBER</u>	<u>REPLACES OEM</u>	<u>DESCRIPTION</u>
1	A-6702	6702	pk-25 WASHER, **5/16 X 11/16 X 1/16 THICK** (ZINC PLATE)
2	A-27060-55	27060-55	pk-10 O-RINGS, INTAKE MANIFOLD, BIG TWIN 1955-1978, SPORT. 1957-1978
3	A-27063-57	27063-57	pair CLAMPS, INTAKE MANIFOLD <b>**WITH O-RINGS**</b> B/T '55-79, SP '57-79
4	L-3-814	27077-78	pk-10 GASKETS, CARB. TO MANIFOLD, B/T 1976-1987, SPORT. 1976-1989
5	A-27311-76	27311-76	pk-5 RUBBER BOOT, ACCELERATOR PUMP, B/T 1976-PRES., SP. 1976-P.
6	A-27314-76	27314-76	pk-10 SPRING, THROTTLE STOP SCREW, B/T 1976-1980, SP. 1976-1980
7	A-27319-76	27319-76	pk-10 SPRING, LOW SPEED ADJUSTMENT SCREW, B/T 1976-'78, SP. '76-'78
8	A-27322-76	27322-76	pk-10 SPRING, THROTTLE LEVER RETURN, B/T 1976-1980, SP. 1976-1980
9	A-27336-76	27336-76	pk-10 O-RING, CARBURETOR FLANGE, B/T 1976-1978, SPORT. 1976-1978
10	A-27337-76	27337-76	each FLOAT NEEDLE, <b>(WITH CLIP)</b> B/T 1976-1978, SPORTSTER 1976-1978
11	A-27348-76	27348-76	pk-5 LOW JET, <b>**BRASS**</b> (1.00mm) BIG TWIN 1976-1989, SP. 1976-1989
	A-27348-77	27348-77	pk-5 LOW JET, <b>**BRASS**</b> (0.88mm) BIG TWIN 1976-1989, SP. 1976-1989
12	A-27358-76	27358-76	pk-10 O-RING, FLOAT BOWL, BIG TWIN 1976-1978, SPORTSTER 1976-1978
13	A-27360-76	27360-76	pk-10 O-RING, ACCELERATOR PUMP, B/T 1976-PRES, SPORT. 1976-PRES.
14	A-27361-76	27361-76	each DIAPHRAGM, BIG TWIN 1976-PRESENT, SPORTSTER 1976-PRES.
15	A-27362-76	27362-76	pk-10 SPRING, DIAPHRAGM, LOWER HOUSING, B/T 1976-2006, SP. 1976-'06
16	A-27382-77	27382-77	pk-5 LOW JET, <b>**BRASS**</b> (0.75mm) B/T 1976-1989, SPORTSTER 1976-1989
17	A-27416-76	27416-76	pk-5 MAIN JET, <b>**BRASS**</b> (1.80mm) B/T 1976-1989, SPORTSTER 1976-1989
	A-27417-76	27417-76	pk-5 MAIN JET, <b>**BRASS**</b> (1.75mm) B/T 1976-1989, SPORTSTER 1976-1989
	A-27418-76	27418-76	pk-5 MAIN JET, <b>**BRASS**</b> (1.70mm) B/T 1976-1989, SPORT. 1976-1989
	A-27419-76	27419-76	pk-5 MAIN JET, <b>**BRASS**</b> (1.65mm) B/T 1976-1989, SPORTSTER 1976-1989
18	A-27894-78	27894-78	pk-5 LOW JET, <b>**BRASS**</b> (0.68mm) BIG TWIN 1976-1979, SP. 1976-1979
	A-27894-KIT		kit-10 MAIN JETS AND LOW JETS, <b>**BRASS**</b> B/T 1976-1989, SP. 1976-1989 <b>KIT INCLUDES: (1 Pack of 5 each) 27348-76, 37348-77, 27382-77, 27416-76, 27417-76, 27418-76, 27419-76, 27894-78, 27896-79, 27897-78</b>
	A-27896-79	27896-79	pk-5 LOW JET, <b>**BRASS**</b> (0.65mm) BIG TWIN 1976-1979, SP. 1976-1979
	A-27897-78	27897-78	pk-5 LOW JET, <b>**BRASS**</b> (0.72mm) BIG TWIN 1976-1979, SP. 1976-1979
19	L-3-995	29058-77	pk-10 GASKET, CARB. TO AIR CLEANER, BIG TWIN 1977-'86, SP. 1977-1987
20	A-29250-78A	29250-78A	each SPACER, (WITH GASKET) BIG TWIN 1976-1989
21	A-33298-65	33298-65	pk-10 STUD, **5/16-18 X 5/16-24** BIG TWIN 1971-1978, SPORT. 1976-1978

### **\*\*CARBURETOR REPAIR KITS\*\***

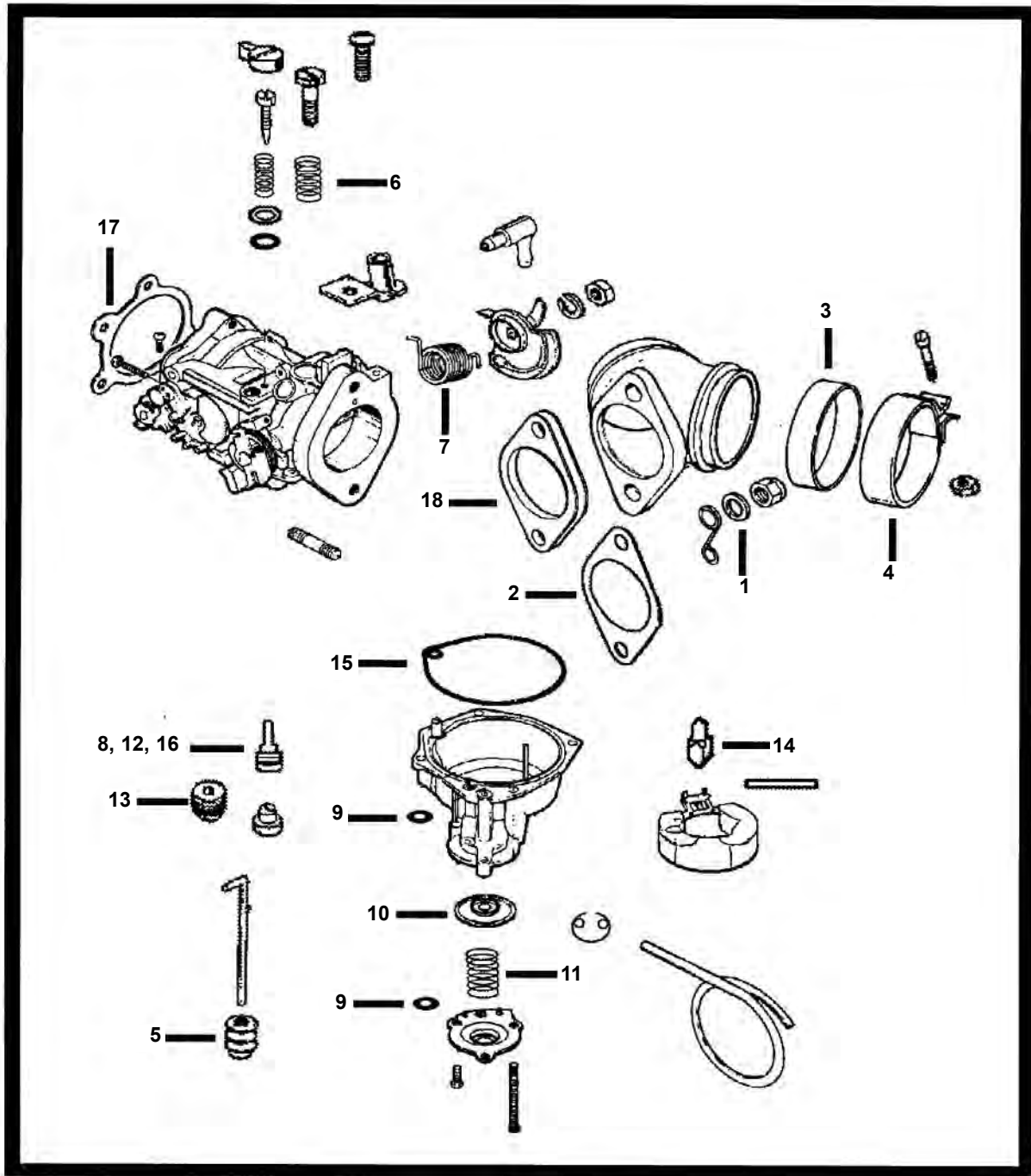
A-27006-76	27006-76	REPAIR KIT, <b>**KEIHIM CARBURETOR**</b> B/T 1976-1978, SP. 1976-1978 <b>KIT INCLUDES:</b> DIAPHRAGM, O-RINGS (LARGE & SMALL) FLOAT VALVE W/CLIP, AND LOWER SPRING
A-27006-79	27006-79	REPAIR KIT, <b>**KEIHIM CARBURETOR**</b> B/T 1979-1983, SP. 1979-1982 <b>KIT INCLUDES:</b> DIAPHRAGM, O-RINGS (LARGE & SMALL) FLOAT VALVE W/CLIP, GASKET, RUBBER BOOT & LOWER SPRING
A-27006-83	27006-83	REPAIR KIT, <b>**KEIHIM CARBURETOR**</b> B/T 1984-1989, SP. 1983-1987 <b>KIT INCLUDES:</b> DIAPHRAGM, O-RINGS (LARGE & SMALL) FLOAT VALVE W/CLIP, GASKET, RUBBER BOOT & LOWER SPRING
A-27006-87	27006-87	REPAIR KIT, <b>**KEIHIM CARBURETOR** (C.V)</b> BIG TWIN 1990-1991, SPORTSTER 1988-1991 <b>KIT INCLUDES:</b> DIAPHRAGM, O-RINGS (LARGE & SMALL) FLOAT VALVE W/CLIP, SEALS, RUBBER BOOT & LOWER SPRING
A-27132-71	27132-71	REPAIR KIT, <b>**BENDIX CARBURETOR**</b> B/T 1971-1975, SP. 1972-1976 <b>KIT INCLUDES:</b> GASKETS, WASHERS, O-RINGS (LARGE & SMALL) FLOAT VALVE W/CLIP, IDLE ADJ. SCREW, & ACCELERATOR PUMP

# **\*\*EASTERN MOTORCYCLE PARTS\*\***

## **\*\*CARBURETOR\*\***

**\*\*BIG TWIN L/1978-1980\*\***

**\*\*SPORTSTER 1979-1980\*\***



**\*\*CONTINUED NEXT PAGE\*\***

**\*5120 HILDA ROAD\* BLACKVILLE, S.C. 29817\* 803-284-3304\***

**\*Pg 286\***



# **\*\*EASTERN MOTORCYCLE PARTS\*\***

## **\*\*CARBURETOR\*\***

### **\*\*KEIHIM\*\***

#### **\*\*BIG TWIN L/1978-1980\*\***

#### **\*\*SPORTSTER 1979-1980\*\***

<b>DIAGRAM NUMBER</b>	<b>EASTERN NUMBER</b>	<b>REPLACES OEM</b>	<b>DESCRIPTION</b>
1	A-6702	6702	pk-25 WASHER, **5/16 Z 11/16 X 1/16" THICK** (ZINC PLATED)
2	L-3-812	27023-71	pk-10 GASKETS, CARB. TO MANIFOLD, SPORTSTER 1972-1985
3	A-27062-78A	27062-78	pk-10 SEALS, INTAKE MANIFOLD, **U.S.A.** B/T 1978-'84, SPORT. 1978-1985
4	A-27063-80	27063-80	pair CLAMPS, INTAKE MANIFOLD, **WITH O-RINGS** BIG TWIN 1980-1984, SPORTSTER 1980-1985
5	A-27311-76	27311-76	pk-5 RUBBER BOOT, ACCELERATOR PUMP, B/T 1976-PRES., SP. 1976-P.
6	A-27314-76	27314-76	pk-10 SPRING, THROTTLE STOP SCREW, B/T 1976-1980, SPORT. 1976-1980
7	A-27322-76	27322-76	pk-10 SPRING, THROTTLE LEVER RETURN, B/T 1976-1980, SP. 1976-1980
8	A-27348-76	27348-76	pk-5 LOW JET, **BRASS** (1.00mm) BIG TWIN 1976-1989, SP. 1976-1989
	A-27348-77	27348-77	pk-5 LOW JET, **BRASS** (0.88mm) BIG TWIN 1976-1989, SP. 1976-1989
9	A-27360-76	27360-76	pk-10 O-RING, PUMP ACCELERATOR, BIG TWIN 1976-P., SPORT. 1976-P.
10	A-27361-76	27361-76	each DIAPHRAGM, BIG TWIN 1976-PRESENT, SPORTSTER 1976-PRES.
11	A-27362-76	27362-76	pk-10 SPRING, DIAPHRAGM, LOWER HOUSING, B/T 1976-2006, SP. 1976-'06
12	A-27382-77	27382-77	pk-5 LOW JET, **BRASS** (0.75mm) B/T 1976-1989, SPORTSTER 1976-1989
13	A-27416-76	27416-76	pk-5 MAIN JET, **BRASS** (1.80mm) B/T 1976-1989, SPORTSTER 1976-1989
	A-27417-76	27417-76	pk-5 MAIN JET, **BRASS** (1.75mm) B/T 1976-1989, SPORTSTER 1976-1989
	A-27418-76	27418-76	pk-5 MAIN JET, **BRASS** (1.70mm) B/T 1976-1989, SPORTSTER 1976-1989
	A-27419-76	27419-76	pk-5 MAIN JET, **BRASS** (1.65mm) B/T 1976-1989, SPORTSTER 1976-1989
14	A-27886-78A	27886-78A	each FLOAT NEEDLE, W/CLIP, BIG TWIN 1978-2006, SPORT. 1979-2006
15	A-27889-78	27889-78	pk-10 O-RING, FLOAT BOWL, BIG TWIN 1978-1983, SPORTSTER 1978-1983
16	A-27894-78	27894-78	pk-5 LOW JET, **BRASS** (0.68mm) BIG TWIN 1976-1979, SP. 1976-1979
	A-27894-KIT		kit-10 MAIN JETS AND LOW JETS, **BRASS** B/T 1976-1989, SP. 1976-1989 <b>KIT INCLUDES: (1 Pack of 5 each) 27348-76, 37348-77, 27382-77, 27416-76, 27417-76, 27418-76, 27419-76, 27894-78, 27896-79, 27897-78</b>
	A-27896-79	27896-79	pk-5 LOW JET, **BRASS** (0.65mm) BIG TWIN 1976-1979, SP. 1976-1979
	A-27897-78	27897-78	pk-5 LOW JET, **BRASS** (0.72mm) BIG TWIN 1976-1979, SP. 1976-1979
17	L-3-995	29058-77	pk-10 GASKETS, CARB. TO AIR CLEANER, B/T 1977-1986, SPORT. 1977-'87
18	A-29250-78A	29250-78A	each SPACER, (WITH GASKET) BIG TWIN 1976-1989

### **\*\*CARBURETOR REPAIR KITS\*\***

A-27006-76	27006-76	REPAIR KIT, **KEIHIM CARBURETOR** B/T 1976-1978, SP. 1976-1978 <b>KIT INCLUDES:</b> DIAPHRAGM, O-RINGS (LARGE & SMALL) FLOAT VALVE W/CLIP, AND LOWER SPRING
A-27006-79	27006-79	REPAIR KIT, **KEIHIM CARBURETOR** B/T 1979-1983, SP. 1979-1982 <b>KIT INCLUDES:</b> DIAPHRAGM, O-RINGS (LARGE & SMALL) FLOAT VALVE W/CLIP, GASKET, RUBBER BOOT & LOWER SPRING
A-27006-83	27006-83	REPAIR KIT, **KEIHIM CARBURETOR** B/T 1984-1989, SP. 1983-1987 <b>KIT INCLUDES:</b> DIAPHRAGM, O-RINGS (LARGE & SMALL) FLOAT VALVE W/CLIP, GASKET, RUBBER BOOT & LOWER SPRING
A-27006-87	27006-87	REPAIR KIT, **KEIHIM CARBURETOR** (C.V) BIG TWIN 1990-1991, SPORTSTER 1988-1991 <b>KIT INCLUDES:</b> DIAPHRAGM, O-RINGS (LARGE & SMALL) FLOAT VALVE W/CLIP, SEALS, RUBBER BOOT & LOWER SPRING
A-27132-71	27132-71	REPAIR KIT, **BENDIX CARBURETOR** B/T 1971-1975, SP. 1972-1976 <b>KIT INCLUDES:</b> GASKETS, WASHERS, O-RINGS, FLOAT VALVE W/CLIP, IDLE ADJ. SCREW, & ACCELERATOR PUMP

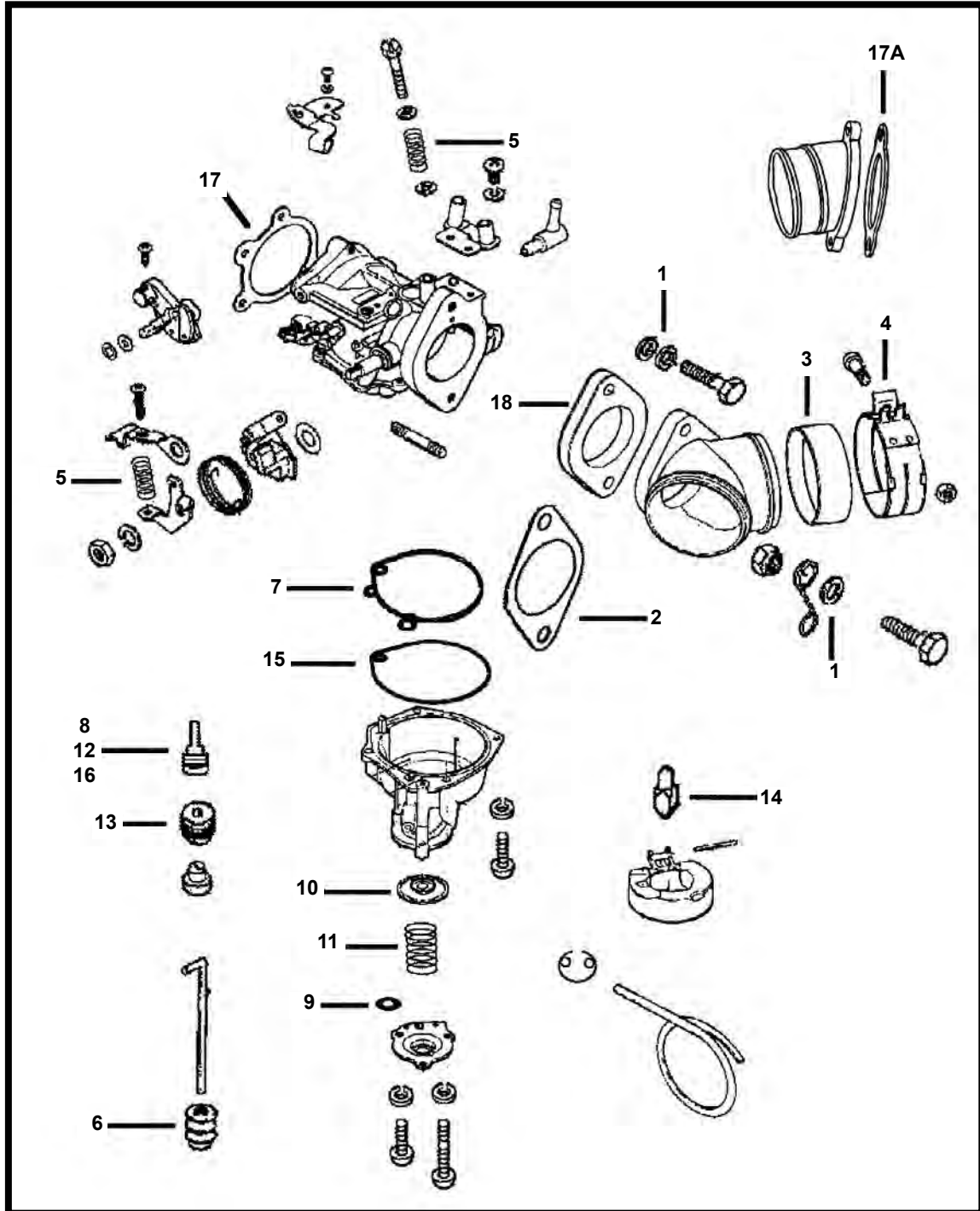
# **\*\*EASTERN MOTORCYCLE PARTS\*\***

## **\*\*CARBURETOR\*\***

### **\*\*KEIHIM\*\***

**\*\*BIG TWIN 1981-1989\*\***

**\*\*SPORTSTER 1981-1987\*\***



**\*\*CONTINUED NEXT PAGE\*\***

**\*5120 HILDA ROAD\* BLACKVILLE, S.C. 29817\* 803-284-3304\***

**\*Pg 288\***

# **\*\*EASTERN MOTORCYCLE PARTS\*\***

## **\*\*CARBURETOR\*\***

### **\*\*KEIHIM\*\***

#### **\*\*BIG TWIN 1981-1989\*\***

#### **\*\*SPORTSTER 1981-1987\*\***

<b>DIAGRAM NUMBER</b>	<b>EASTERN NUMBER</b>	<b>REPLACES OEM</b>	<b>DESCRIPTION</b>
1	A-6702	6702	pk-25 WASHER, **5/16 Z 11/16 X 1/16" THICK** (ZINC PLATED)
2	L-3-812	27023-71	pk-10 GASKETS, CARB. TO MANIFOLD, SPORTSTER 1972-1985
3	A-27062-78A	27062-78	pk-10 SEALS, INTAKE MANIFOLD, **U.S.A.** B/T 1978-'84, SPORT. 1978-1985
4	A-27063-80	27063-80	pair CLAMPS, INTAKE MANIFOLD, **WITH O-RINGS** BIG TWIN 1980-1984, SPORTSTER 1980-1985
5	A-27136-81	27136-81	pk-10 SPRINGS, THROTTLE & IDLE SCREWS, B/T 1981-1990, SP. 1981-1991
6	A-27311-76	27311-76	pk-5 RUBBER BOOT, ACCELERATOR PUMP, B/T 1976-PRES., SP. 1976-P.
7	A-27324-83	27324-83	pk-10 O-RINGS, FLOAT BOWL, BIG TWIN 1984-1990, SPORTSTER 1984-P.
8	A-27348-76	27348-76	pk-5 LOW JET, **BRASS** (1.00mm) BIG TWIN 1976-1989, SP. 1976-1989
	A-27348-77	27348-77	pk-5 LOW JET, **BRASS** (0.88mm) BIG TWIN 1976-1989, SP. 1976-1989
9	A-27360-76	27360-76	pk-10 O-RING, PUMP ACCELERATOR, BIG TWIN 1976-P., SPORT. 1976-P.
10	A-27361-76	27361-76	each DIAPHRAGM, BIG TWIN 1976-PRESENT, SPORTSTER 1976-PRES.
11	A-27362-76	27362-76	pk-10 SPRING, DIAPHRAGM, LOWER HOUSING, B/T 1976-2006, SP. 1976-'06
12	A-27382-77	27382-77	pk-5 LOW JET, **BRASS** (0.75mm) B/T 1976-1989, SPORTSTER 1976-1989
13	A-27416-76	27416-76	pk-5 MAIN JET, **BRASS** (1.80mm) B/T 1976-1989, SPORTSTER 1976-1989
	A-27417-76	27417-76	pk-5 MAIN JET, **BRASS** (1.75mm) B/T 1976-1989, SPORTSTER 1976-1989
	A-27418-76	27418-76	pk-5 MAIN JET, **BRASS** (1.70mm) B/T 1976-1989, SPORTSTER 1976-1989
	A-27419-76	27419-76	pk-5 MAIN JET, **BRASS** (1.65mm) B/T 1976-1989, SPORTSTER 1976-1989
14	A-27886-78A	27886-78A	each FLOAT NEEDLE, W/CLIP, BIG TWIN 1978-2006, SPORT. 1979-2006
15	A-27889-78	27889-78	pk-10 O-RING, FLOAT BOWL, BIG TWIN 1978-1983, SPORTSTER 1978-1983
16	A-27894-78	27894-78	pk-5 LOW JET, **BRASS** (0.68mm) BIG TWIN 1976-1979, SP. 1976-1979
	A-27894-KIT		kit-10 MAIN JETS AND LOW JETS, **BRASS** B/T 1976-1989, SP. 1976-'89 <b>KIT INCLUDES: (1 Pack of 5 each) 27348-76, 37348-77, 27382-77, 27416-76, 27417-76, 27418-76, 27419-76, 27894-78, 27896-79, 27897-78</b>
	A-27896-79	27896-79	pk-5 LOW JET, **BRASS** (0.65mm) BIG TWIN 1976-1979, SP. 1976-1979
	A-27897-78	27897-78	pk-5 LOW JET, **BRASS** (0.72mm) BIG TWIN 1976-1979, SP. 1976-1979
17	L-3-995	29058-77	pk-10 GASKETS, CARB. TO AIR CLEANER, B/T 1977-86, SPORT. 1977-1987
17A	L-3-813	29242-83	pk-10 GASKET, MANIFOLD TO ENGINE, BIG TWIN 1984-'90, SPORT. 1986-P.
18	A-29250-78A	29250-78A	each SPACER, (WITH GASKET) BIG TWIN 1976-1989

### **\*\*CARBURETOR REPAIR KITS\*\***

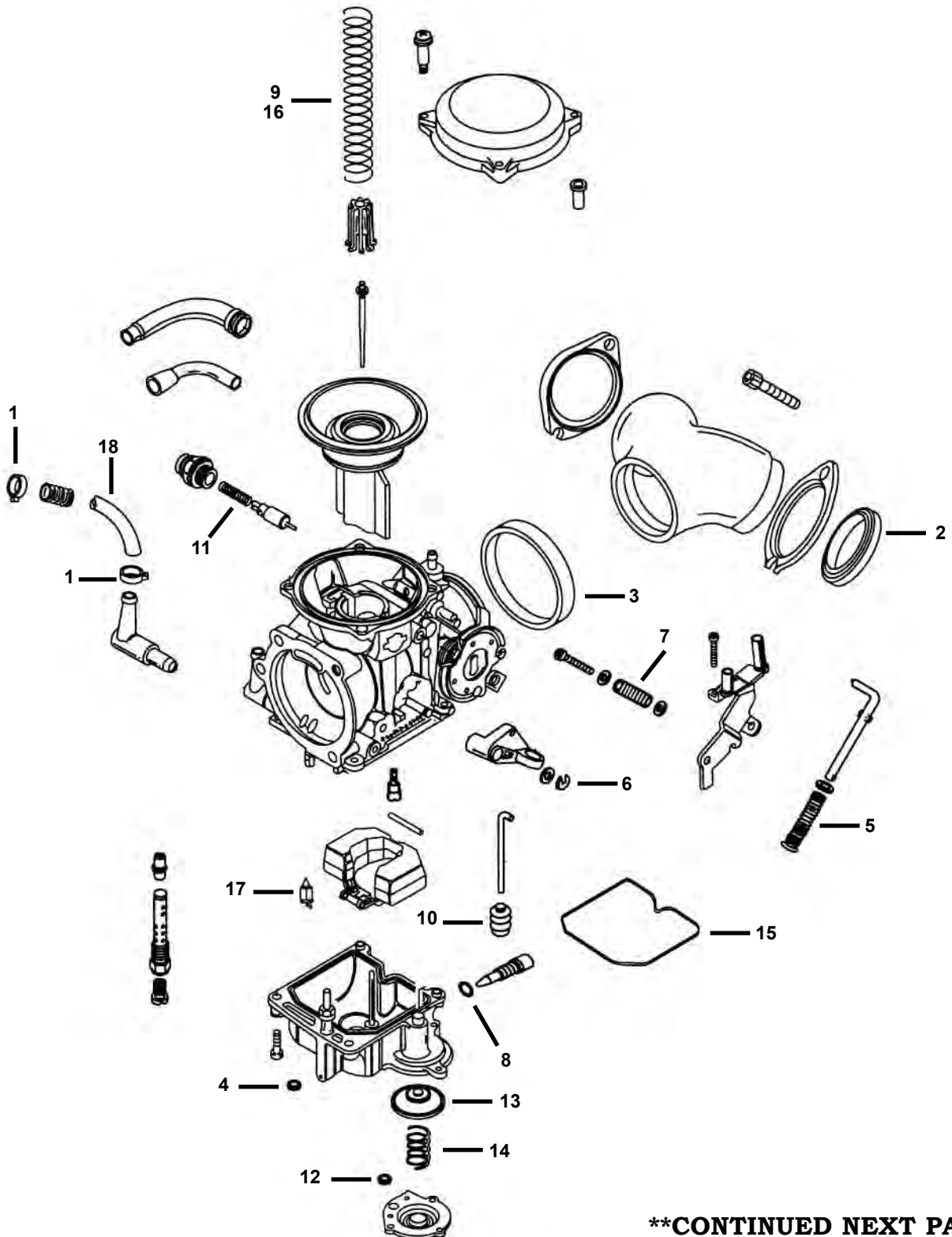
A-27006-76	27006-76	REPAIR KIT, **KEIHIM CARBURETOR** B/T 1976-1978, SP. 1976-1978 <b>KIT INCLUDES:</b> DIAPHRAGM, O-RINGS (LARGE & SMALL) FLOAT VALVE W/CLIP, AND LOWER SPRING
A-27006-79	27006-79	REPAIR KIT, **KEIHIM CARBURETOR** B/T 1979-1983, SP. 1979-1982 <b>KIT INCLUDES:</b> DIAPHRAGM, O-RINGS (LARGE & SMALL) FLOAT VALVE W/CLIP, GASKET, RUBBER BOOT & LOWER SPRING
A-27006-83	27006-83	REPAIR KIT, **KEIHIM CARBURETOR** B/T 1984-1989, SP. 1983-1987 <b>KIT INCLUDES:</b> DIAPHRAGM, O-RINGS (LARGE & SMALL) FLOAT VALVE W/CLIP, GASKET, RUBBER BOOT & LOWER SPRING
A-27006-87	27006-87	REPAIR KIT, **KEIHIM CARBURETOR** (C.V) BIG TWIN 1990-1991, SPORTSTER 1988-1991 <b>KIT INCLUDES:</b> DIAPHRAGM, O-RINGS (LARGE & SMALL) FLOAT VALVE W/CLIP, SEALS, RUBBER BOOT & LOWER SPRING
A-27132-71	27132-71	REPAIR KIT, **BENDIX CARBURETOR** B/T 1971-1975, SP. 1972-1976 <b>KIT INCLUDES:</b> GASKETS, WASHERS, O-RINGS, FLOAT VALVE W/CLIP, IDLE ADJ. SCREW, & ACCELERATOR PUMP

# \*\*EASTERN MOTORCYCLE PARTS\*\*

## \*\*CARBURETOR\*\*

\*\*BIG TWIN 1990-1999

\*\*SPORTSTER 1988-1999\*\*



\*\*CONTINUED NEXT PAGE\*\*

# **\*\*EASTERN MOTORCYCLE PARTS\*\***

## **\*\*CARBURETOR\*\***

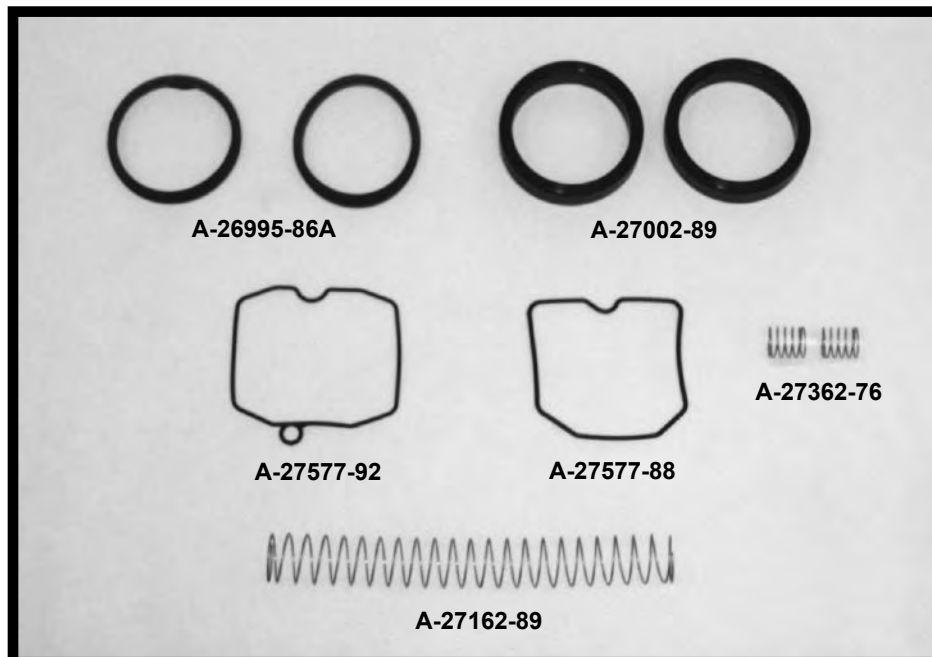
**\*\*BIG TWIN 1990-1999**

**\*\*SPORTSTER 1988-1999\*\***

<u>DIAGRAM NUMBER</u>	<u>EASTERN NUMBER</u>	<u>REPLACES OEM</u>	<u>DESCRIPTION</u>
1	A-10014	10014	pk-25 HOSE CLAMPS (17/32 I.D.) BIG TWIN-SPORTSTER
2	A-26995-86A	26995-86A	pk-10 INTAKE MANIFOLD SEALS (KEIHIM) BIG TWIN 1990-P., SPORT. 1988-P.
3	A-27002-89	27002-89	each SEAL RING, CARBURETOR, BIG TWIN 1990-2006, SPORT. 1988-2006
4	A-27121-89	27121-89	pk-10 O-RINGS, FLOAT BOWL VALVE, BIG TWIN 1990-P., SPORTSTER 1988-P.
5	A-27123-89	27123-89	pk-10 SPRING, ACCELERATOR ROD, BIG TWIN 1990-02, SPORTSTER 1988-02
6	A-27124-89	27124-89	pk-10 RETAINING RING, CARB. LEVER (E-CLIP) BIG TWIN 1990-'06, SP. 1988-06
7	A-27136-81	27136-81	pk-10 SPRING, THROTTLE & IDLE SCREWS, B/T 1981-1990, SP 1981-1991
	A-27136-90	27136-90	pk-10 SPRING, THROTTLE & IDLE SCREWS, BIG TWIN 1991-2006, SP. 1992-06
8	A-27157-89	27157-89	pk-10 O-RINGS, DRAIN SCREW (FLOAT BOWL) BIG TWIN 1990-99, SP. 1988-06
9	A-27162-89	27162-89	pk-10 SPRING, VACUUM PISTON, BIG TWIN 1990-2006, SPORTSTER 1988-2006
10	A-27311-76	27311-76	pk-5 RUBBER BOOT, ACCELERATOR PUMP, BIG TWIN 1976-P., SP. 1976-P.
11	A-27315-88	27315-88	pk-10 SPRING, STARTER VALVE CAP, BIG TWIN 1990-2005, SPORT. 1988-2006
12	A-27360-76	27360-76	pk-10 O-RINGS, PUMP ACCELERATOR, BIG TWIN 1976-P., SPORTSTER 1976-P.
13	A-27361-76	27361-76	each DIAPHRAGM, BIG TWIN 1976-PRESENT, SPORTSTER 1976-PRESENT
14	A-27362-76	27362-76	pk-10 SPRING, DIAPHRAGM, LOWER HOUSING, B/T 1976-2006, SP. 1976-'06
15	A-27577-88	27577-88	pk-5 O-RING, FLOAT CHAMBER, BIG TWIN 1990-1991, SPORTSTER 1988-1991
	A-27577-92	27577-92	pk-5 O-RING, FLOAT CHAMBER, BIG TWIN 1992-2006, SPORTSTER 1992-2006
16	A-27584-88	27584-88	pk-10 SPRING, VACUUM PISTON, <b>(SWISS ONLY)</b> SPORTSTER 1988-1989
17	A-27886-78A	27886-78A	each FLOAT VALVE WITH CLIP, BIG TWIN 1978-2006, SPORTSTER 1979-2006
18	E-407	63501-68	25ft FUEL LINE, BLACK NEOPRENE (1/4") BIG TWIN-SPORTSTER

### **\*\*CARBURETOR REPAIR KIT\*\***

A-27006-87	27006-87	REPAIR KIT, **KEIHIM CARBURETOR** (C.V) BIG TWIN 1990-1991, SPORTSTER 1988-1991 <b>KIT INCLUDES:</b> DIAPHRAGM, O-RINGS (LARGE & SMALL) FLOAT VALVE W/CLIP, SEALS, RUBBER BOOT & LOWER SPRING
40-0147		TUNER REPAIR KIT, **KEIHIM 40mm CARBURETOR** (C.V) BIG TWIN 1989-1999, SPORTSTER 1989-1999



**\*\*ELECTRICAL\*\***

- 
- \* ADVANCE UNIT AND RELATED PARTS
  - \* CONDENSERS
  - \* ELECTRICAL CONNECTORS
  - \* GENERATORS AND RELATED PARTS
  - \* IGNITION COILS
  - \* POINTS
  - \* RECTIFIERS
  - \* REGULATORS
  - \* RELAYS
  - \* SOLENOIDS AND RELATED PARTS
  - \* SPARK PLUGS AND WIRES
  - \* STARTERS AND RELATED PARTS
  - \* STATORS
  - \* SWITCHES: ELECTRICAL & MECHANICAL
  - \* TUNE UP KITS
  - \* WIRE LOOM
  - \* WIRE TERMINALS
  - \* WIRING HARNESES

# **\*\*EASTERN MOTORCYCLE PARTS\*\***

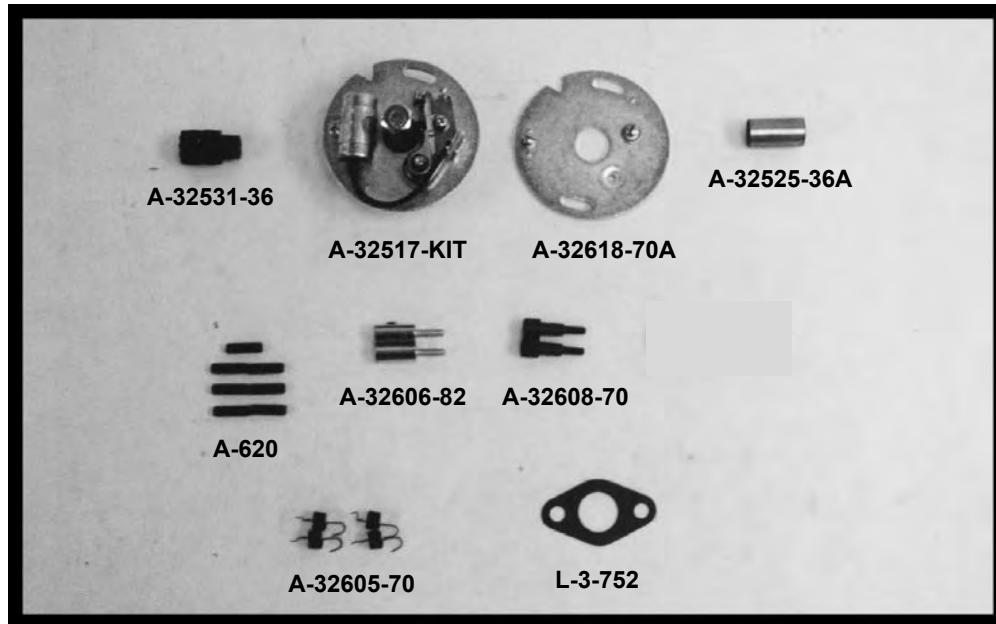
## **\*\*ADVANCE UNIT\*\***

### **\*\*AND RELATED PARTS\*\***

### **\*\*BIG TWIN-SPORTSTER\*\***



Y-21-750



A-32531-36

A-32517-KIT

A-32618-70A

A-32525-36A

A-620

A-32606-82

A-32608-70

A-32605-70

L-3-752



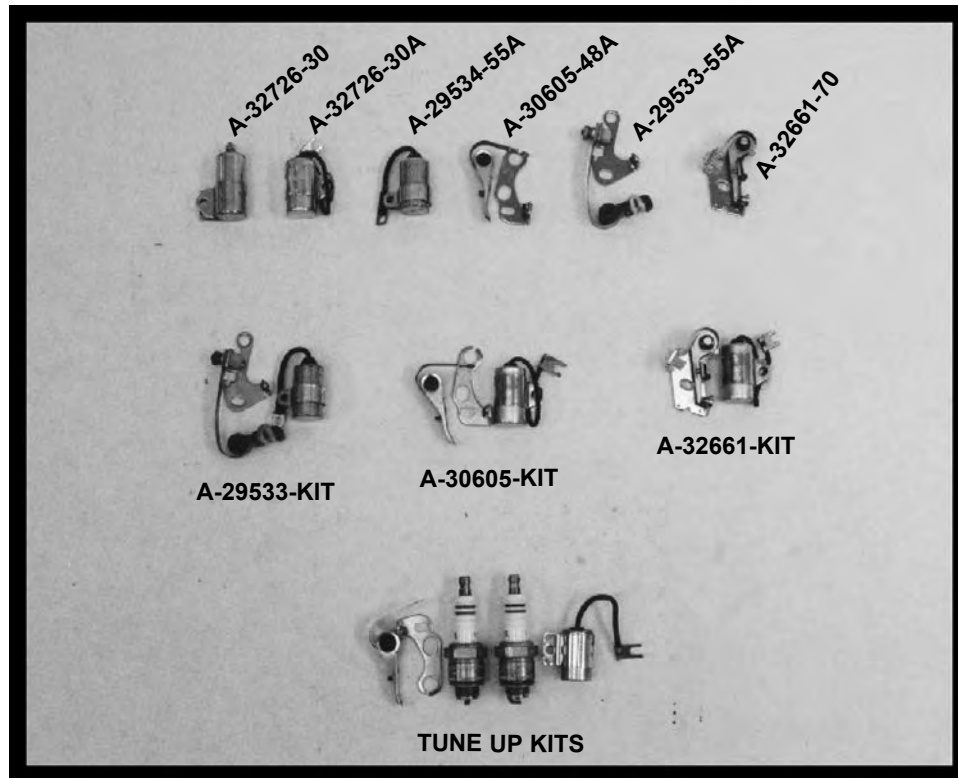
Y-21-752

<u>EASTERN NUMBER</u>	<u>REPLACES OEM</u>	<u>DESCRIPTION</u>
A-615	615	pk-25 ROLL PINS, **3/32 X 7/16*** ZINC PLATED, BIG TWIN-SPORTSTER
A-620	620	pk-25 ROLL PINS FOR BREAKER WEIGHTS, **.197 X .625** ZINC PLATED, BIG TWIN-SPORT.
A-623	623	pk-25 ROLL PINS, **1/16 X 1/4*** ZINC PLATED, BIG TWIN-SPORTSTER
A-1047	1047	pk-25 SCREWS, CIRCUIT BREAKER BASE PLATE, (8-32X1/4") B/T 1970-1978, SP. 1971-1978
A-6189W	6189W	pk-25 WASHERS, CIRCUIT BREAKER PLATE, (.032 THICK) BIG TWIN 1970-1978, SP. 1971-1978
Y-21-752	32502-66A	each DISTRIBUTOR <b>**COMPLETE**</b> (CLAMP STYLE) <b>**CHROME**</b> BIG TWIN 1966-1969
Y-21-750	32505-36A	each DISTRIBUTOR <b>**COMPLETE**</b> (2-HOLE MOUNT) <b>**CHROME**</b> BIG TWIN 1936-1965
A-32517-KIT		kit ADVANCE UNIT ASSEMBLY, <b>**COMPLETE**</b> BIG TWIN 1970-1978, SPORT. 1971-1978
L-3-752	32521-36	pk-10 GASKETS, CIRCUIT BREAKER BASE, BIG TWIN 1936-1964, SPORTSTER 1952-1969
A-32522-70	32522-70	set-2 CIRCUIT BREAKER WEIGHTS AND PINS, BIG TWIN 1970-1978, SPORTSTER 1971-1978
A-32525-36A	32525-36A	each BUSHING, CIRCUIT BREAKER HOUSING, BIG TWIN 1970-1978, SPORTSTER 1971-1978
A-32531-36	32531-36	each CIRCUIT BREAKER DRIVE GEAR, **10 TOOTH** BIG TWIN 1936-1969, SPORT. 1958-1970
R-9-1540	32577-70	each CIRCUIT BREAKER ASSEMBLY, <b>**ACCEL**</b> B/G TWIN 1970-1978, SPORTSTER 1971-1978
A-32577-70	32577-70	each CIRCUIT BREAKER ASSEM., (POINTS, CONDENSER, PLATE) B/T 1970-1978, SP. 1971-'78
A-32601-78	32601-78	pair STUDS, CIRCUIT BREAKER PLATE, BIG TWIN 1970-1982, SPORTSTER 1972-1979
	32608-72	
A-32605-70	32605-70	pk-10 SPRINGS, BREAKER WEIGHTS, BIG TWIN 1970-1978, SPORTSTER 1971-1978
A-32606-82	32606-82	pair STUDS, CIRCUIT BREAKER PLATE, ( <b>STD THREAD</b> ) BIG TWIN 1982-1999, SP. 1980-1985
A-32606-96	32606-96	pair STUDS, CIRCUIT BREAKER PLATE, ( <b>O/S THREAD</b> ) BIG TWIN 1982-1999, SP. 1980-1990
A-32608-70	32608-70	pair STUDS, CIRCUIT BREAKER PLATE, BIG TWIN 1970-1972, SP. 1970-1972
A-32618-70A	32618-70A	each CIRCUIT BREAKER BASE PLATE, BIG TWIN 1970-1978, SPORTSTER 1971-1978

# **\*\*EASTERN MOTORCYCLE PARTS\*\***

## **\*\*POINTS AND CONDENSERS\*\***

### **\*\*BIG TWIN-SPORTSTER\*\***



#### **EASTERN NUMBER**

#### **REPLACES OEM**

#### **DESCRIPTION**

A-29533-55A	29533-55A each	POINTS, MAGNETO, SPORTSTER 1958-1969
A-29534-55A	29534-55A each	CONDENSER, MAGNETO, SPORTSTER 1958-1969
A-30605-48A	30605-48A each	POINTS, CIRCUIT BREAKER, BIG TWIN 1948-1969, SPORTSTER 1954-1970
A-32658-30	32658-30 each	POINTS, CIRCUIT BREAKER, (EARLY STYLE) BIG TWIN 1930-1948, FORTY-FIVE 1930-48
A-32661-70	32661-70 each	POINTS, CIRCUIT BREAKER, (LATE STYLE) BIG TWIN 1970-1978, SPORTSTER 1971-78
A-32726-30	32726-30 each	CONDENSER, CIRCUIT BREAKER, (OLD STYLE) BIG TWIN 1930-1948, F-F 1930-1948
A-32726-30A	32726-30A each	CONDENSER, CIRCUIT BREAKER, BIG TWIN 1948-1978, SPORTSTER 1954-1978

#### **\*\*POINT AND CONDENSER KITS\*\***

A-29533-KIT	POINTS AND CONDENSER, **MAGNETO** SPORTSTER 1958-1969 <b>KIT INCLUDES: (1) 29533-55A, (1) 29534-55A</b>
A-30605-KIT	POINTS AND CONDENSER, **MID STYLE** BIG TWIN 1948-1969, SPORTSTER 1954-1970 <b>KIT INCLUDES: (1) 30605-48A, (1) 32726-30A</b>
A-32658-KIT	POINTS AND CONDENSER, **OLD STYLE** BIG TWIN 1930-1948, FORTY-FIVE 1930-1948 <b>KIT INCLUDES: (1) 32658-30, (1) 32726-30</b>
A-32661-KIT	POINTS AND CONDENSER, **LATE STYLE** BIG TWIN 1970-1978, SPORT. 1971-1978 <b>KIT INCLUDES: (1) 32661-70, (1) 32726-30A</b>

#### **\*\*COMPLETE TUNE UP KITS\*\***

R-9-1506	TUNE UP KIT WITH POINTS, PLUGS AND CONDENSER, BIG TWIN 1970-1974
R-9-1510	TUNE UP KIT WITH POINTS, PLUGS AND CONDENSER, SPORTSTER 1957-1970
R-9-1512	TUNE UP KIT WITH POINTS, PLUGS AND CONDENSER, SPORTSTER 1958-1969
R-9-1544	POINTS AND MICRO-CHIP CONDENSER, BIG TWIN 1970-1978, SPORTSTER 1971-1978

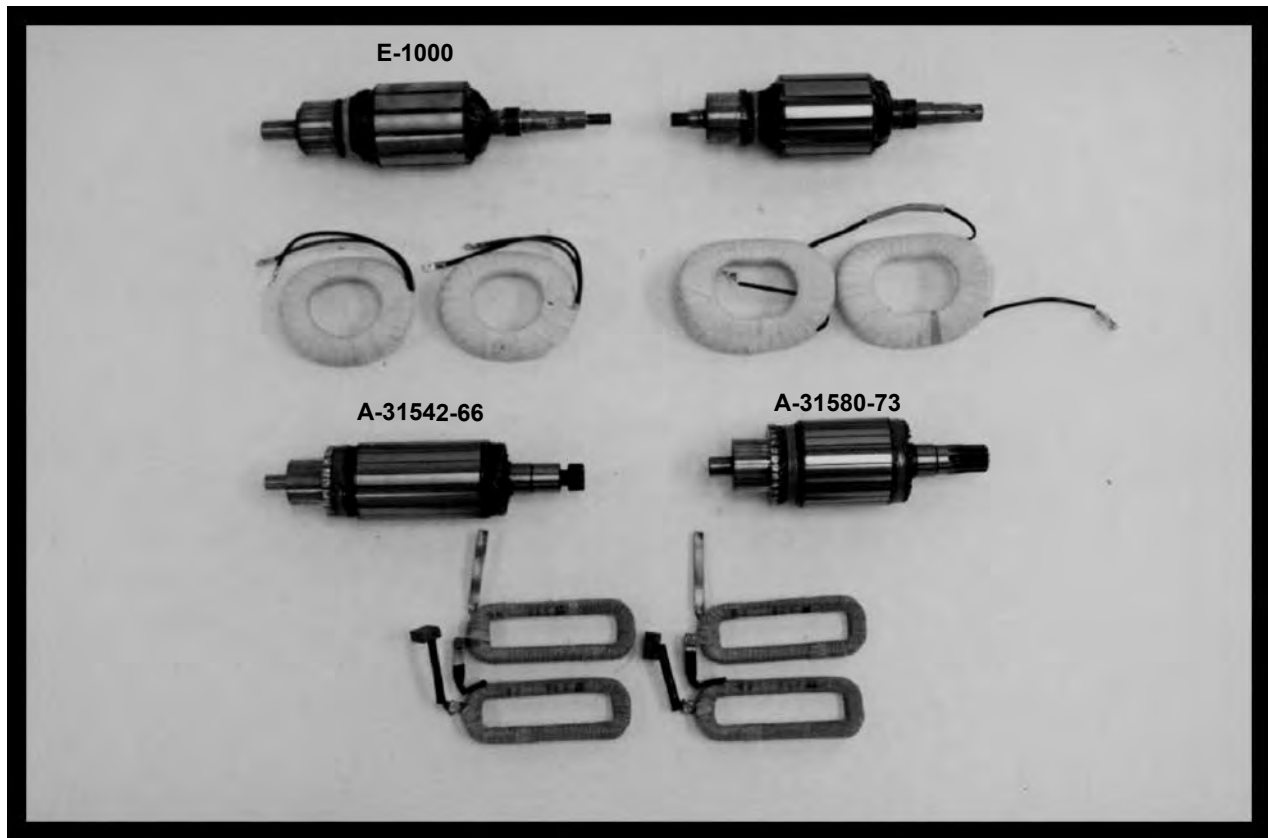


# **\*\*EASTERN MOTORCYCLE PARTS\*\***

## **\*\*ARMATURES\*\***

### **\*\*AND FIELD COILS\*\***

### **\*\*BIG TWIN-SPORTSTER\*\***



#### **EASTERN NUMBER**

#### **REPLACES OEM**

#### **DESCRIPTION**

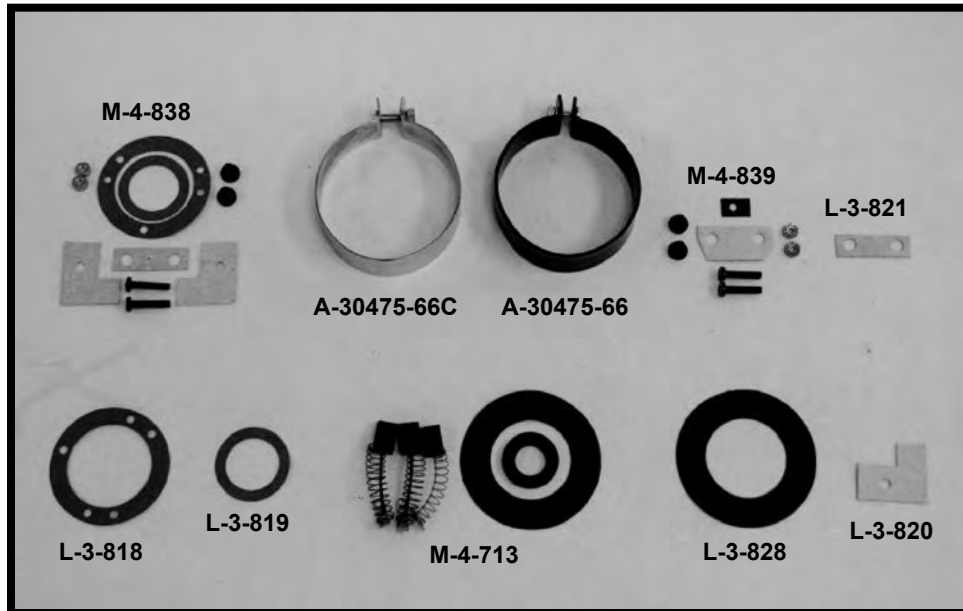
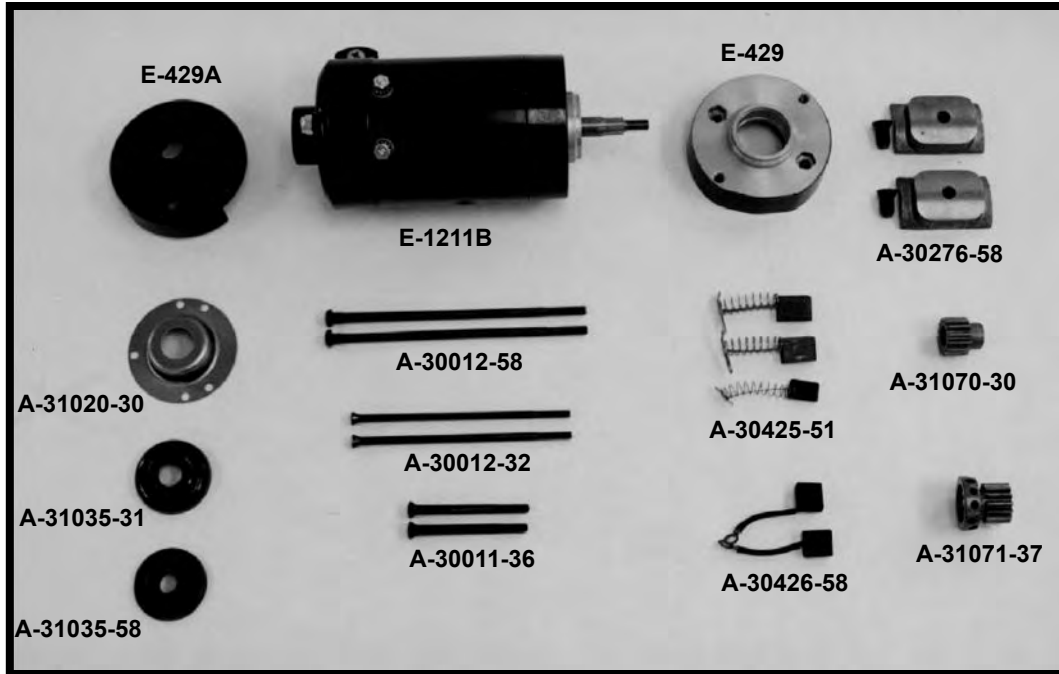
<b>E-1007</b>	<b>30201-58A</b>	<b>set-2</b>	FIELD COILS, <b>**2-BRUSH**</b> (6-VOLT) BIG TWIN 1958-1964, SPORT. 1958-1964 <b>**USA**</b>
<b>E-1001A</b>	<b>30851-58</b>	<b>each</b>	ARMATURE, <b>**MODEL #58**</b> (6-VOLT) BIG TWIN 1958-1961, SPORT. 1958-1961 <b>**USA**</b>
<b>E-1000A</b>	<b>30851-61</b>	<b>each</b>	ARMATURE, <b>**MODEL #61**</b> (6-VOLT) BIG TWIN 1961-1964, SPORT. 1961-1964 <b>**USA**</b>
<b>E-1003A</b>	<b>30851-65A</b>	<b>each</b>	ARMATURE, <b>**MODEL #65,65A**</b> (12-VOLT) BIG TWIN 1965-1969, SP. 1965-1981 <b>**USA**</b>
<b>A-6005</b>	<b>6005</b>	<b>pk-10</b>	WASHERS, ARMATURE END (FELT) <b>**883 ONLY**</b> SPORTSTER 1981-1994
<b>A-6743</b>	<b>6743</b>	<b>pk-10</b>	WASHERS, ARMATURE END (.032 THICK) BIG TWIN 1932-1957, SPORTSTER 1952-1957
<b>A-6743A</b>		<b>pk-10</b>	WASHERS, ARMATURE END (.032 THICK) BIG TWIN 1932-1957, SPORTSTER 1952-1957

### **\*\*STARTER ARMATURES\*\***

<b>A-31542-66</b>	<b>31542-66</b>	<b>each</b>	ARMATURE, <b>**PRESTOLITE STARTER**</b> BIG TWIN 1966-1982, SPORTSTER 1967-1980
<b>A-31580-73</b>	<b>31580-73</b>	<b>each</b>	ARMATURE, <b>**HITACHI STARTER**</b> BIG TWIN 1982-1988, SPORTSTER 1974-E/1976

# \*\*EASTERN MOTORCYCLE PARTS\*\*

## \*\*GENERATOR\*\* **\*\*AND RELATED PARTS\*\*** **\*\*BIG TWIN-SPORTSTER\*\***



<u>EASTERN NUMBER</u>	<u>REPLACES OEM</u>	<u>DESCRIPTION</u>
L-3-815	2690W	pk-10 TERMINAL SCREWS, BIG TWIN 1932-1957, SPORTSTER 1952-1957
L-3-816	6186/ 30463-32	pk-10 INSULATING WASHER AND BUSHING, (2 & 3 BRUSH) BIG TWIN 1937-1969, SP. 1954-'80

# **\*\*EASTERN MOTORCYCLE PARTS\*\***

## **\*\*GENERATOR\*\***

### **\*\*AND RELATED PARTS\*\***

<b>EASTERN NUMBER</b>	<b>REPLACES OEM</b>		<b>DESCRIPTION</b>
L-3-817	7220/7634	pk-10	TERMINAL NUTS WITH WASHER, (2 & 3 BRUSH) BIG TWIN 1932-1969, SPORT 1954-'80
A-9004	9004	each	BEARING, GENERATOR COMMUTATOR END, BIG TWIN 1932-1957, SPORT. 1952-1957
A-9005	9005	each	BEARING, GENERATOR COMMUTATOR END, BIG TWIN 1932-1957, SPORT. 1952-1957
A-9007	9007	each	BEARING, GENERATOR GEAR END, BIG TWIN 1932-1969, SPORTSTER 1952-1981
A-9064	9064	each	BEARING, GENERATOR COMMUTATOR END, BIG TWIN 1961-1969, SPORT. 1961-1981
A-9088	9088	each	BEARING, GENERATOR END COVER, BIG TWIN 1958-1969, SPORTSTER 1958-1981
E-1212-B	29975-58A	each	GENERATOR, **6-VOLT** (BLACK) BIG TWIN 1958-1964, SPORTSTER 1958-1964
E-1211-B	29975-65A	each	GENERATOR, **12-VOLT** (BLACK) BIG TWIN 1965-1969, SPORTSTER 1965-1981
A-30011-36	30011-36	pair	GENERATOR MOUNTING SCREWS, (EARLY) BIG TWIN 1930-1957
A-30012-32	30012-32	pair	GENERATOR FRAME SCREWS, BIG TWIN 1930-1957, SPORTSTER 1952-1957
A-30012-58	30012-58	pair	GENERATOR FRAME SCREWS, BIG TWIN 1958-1969, SPORTSTER 1958-1981
E-429	30095-61	each	GENERATOR END COVER, (DRIVE END) BIG TWIN 1958-1969, SPORTSTER 1958-1981
E-429A	30132-61A	each	GENERATOR END COVER, (COMM. END) BIG TWIN 1958-1969, SPORTSTER 1958-1981
L-3-818	30138-30	pk-10	GASKETS, DRIVE END COVER, **3-BRUSH** BIG TWIN 1932-1957, SPORT. 1954-1957
L-3-828	30143-30	pk-10	GASKETS, GENERATOR TO CASE, BIG TWIN 1932-1957, SPORTSTER 1952-1957
L-3-830	30143-58	pk-10	GASKETS, GENERATOR TO CASE, BIG TWIN 1958-1969, SPORTSTER 1958-1981
A-30148-58	30148-58	pk-5	BUSHING, GENERATOR END COVER, **OIL-LITE** BIG TWIN 1958-1964, SP. 1958-1964
L-3-820	30228-32	pk-5	GASKETS, FIELD COIL TERMINAL, **3-BRUSH** BIG TWIN 1932-1957, SPORT 1952-1957
A-30276-58	30276-58	pair	POLE SHOES WITH SCREWS, BIG TWIN 1958-1969, SPORTSTER 1958-1981
A-30280-18	30280-18	pk-10	SCREWS, POLE SHOES, BIG TWIN 1932-1957, SPORTSTER 1952-1957
A-30280-58	30280-58	pk-10	SCREWS, POLE SHOES, BIG TWIN 1958-1969, SPORTSTER 1958-1981
E-425	30350-58	each	BRUSH HOLDER, **6-VOLT** (2-BRUSH) BIG TWIN 1958-1964, SPORTSTER 1958-1964
E-426	30350-66	each	BRUSH HOLDER, **12-VOLT** (2-BRUSH) BIG TWIN 1965-1969, SPORTSTER 1965-1981
M-4-838	30352-32	kit	GENERATOR GASKET KIT, **3-BRUSH** BIG TWIN 1932-1957, SPORTSTER 1952-1957
M-4-839		kit	GENERATOR GASKET KIT, **2-BRUSH** BIG TWIN 1958-1969, SPORTSTER 1958-1981
L-3-821	30373-51	pk-10	GASKETS, BRUSH HOLDER, **3-BRUSH** BIG TWIN 1932-1957, SPORTSTER 1952-1957
E-427	30385-32	each	BRUSH HOLDER, **6-VOLT** (3-BRUSH GEN.) BIG TWIN 1932-1957, SPORT. 1952-1957
A-30425-32	30425-32	set-3	GENERATOR BRUSHES, **6-VOLT** (32E GENERATOR) BIG TWIN 1932-1952
A-30425-51	30425-51	set-3	GENERATOR BRUSHES, **6-VOLT** (52,52K GEN.) BIG TWIN 1952-1957, SP. 1952-1957
A-30426-58	30426-58	set-2	GENERATOR BRUSHES, **6 & 12-VOLT** ( MODELS 58,61,65) B/T 1958-'69, SP.1958-'81
A-30430-26	30430-26	pk-10	SPRINGS, GENERATOR BRUSH, (SMALL BRUSH) BIG TWIN 1952-1957, SP. 1952-1957
A-30453-32	30453-32	pk-10	SPRINGS, GENERATOR BRUSH, (BIG BRUSH) BIG TWIN 1952-1957, SP. 1952-1957
A-30453-58	30453-58	pk-10	SPRINGS, GENERATOR BRUSH HOLDER, BIG TWIN 1958-1969, SPORTSTER 1958-1981
A-30475-66	30475-66	each	GENERATOR BRUSH STRAP, **BLACK** BIG TWIN 1958-1969, SPORTSTER 1958-1981
A-30475-66C	30475-66	each	GENERATOR BRUSH STRAP, **CHROME** BIG TWIN 1958-1969, SPORTSTER 1958-1981
L-3-819	31015-30	pk-10	GASKETS, GENERATOR COMM. END, BIG TWIN 1932-1957, SPORTSTER 1952-1957
A-31020-30	31020-30	pk-5	RETAINER, BRUSH END, BIG TWIN 1932-1957, SPORTSTER 1952-1957
E-428	31022-33	each	GENERATOR END COVER, **3-BRUSH** BIG TWIN 1932-1957, SPORTSTER 1952-1957
A-31035-31	31035-31	each	OIL DEFLECTOR, GENERATOR GEAR END, BIG TWIN 1932-1957
A-31035-58	31035-58	each	OIL DEFLECTOR, GENERATOR GEAR END, BIG TWIN 1958-1969, SPORT. 1958-1981
A-31040-31	31040-31	pk-10	SPRINGS, GENERATOR DRIVE GEAR, BIG TWIN 1932-1957, SPORTSTER 1952-1957
A-31067-63	31067-63	pk-5	WASHERS, GENERATOR DRIVE GEAR, SPORTSTER 1958-1981
A-31070-30	31070-30	each	GENERATOR DRIVE GEAR, **14-TOOTH** (3-BRUSH) BIG TWIN 1932-1957
A-31070-58	31070-58	each	GENERATOR DRIVE GEAR, **13-TOOTH** (2-BRUSH) BIG TWIN 1958-1969
A-31071-37	31071-37	each	GENERATOR DRIVE GEAR, **W/OIL SLINGER** (3-BRUSH) B/T 1937-1948, F-F 1937-1957
A-31073-63	31073-63	each	GENERATOR DRIVE GEAR, **14-TOOTH** (2-BRUSH) SPORTSTER 1958-1984
L-3-824	31097-58	pk-10	GASKETS, TERMINAL INSULATOR, **2-BRUSH** BIG TWIN 1958-1969, SP. 1958-1980
L-3-825	31098-58	pk-10	GASKETS, TERMINAL INSULATOR, **2-BRUSH** BIG TWIN 1958-1969, SP. 1958-1980
M-4-717		kit	GASKET/SEAL KIT, **6-VOLT** (#61 GEN. /2-BRUSH) BIG TWIN 1958-1964, SP. 1958-1964
M-4-719		kit	GASKET/SEAL KIT, **12-VOLT** (#65 GEN. /2-BRUSH) BIG TWIN 1965-1969, SP. 1965-1981
M-4-713		kit	GASKET/SEAL KIT, **6-VOLT** (#32 GEN. /3-BRUSH) BIG TWIN 1932-1957, SP. 1952-1957
M-4-715		kit	GASKET/SEAL KIT, **6-VOLT** (#52 GEN. /3-BRUSH) BIG TWIN 1952-1957, SP. 1952-1957

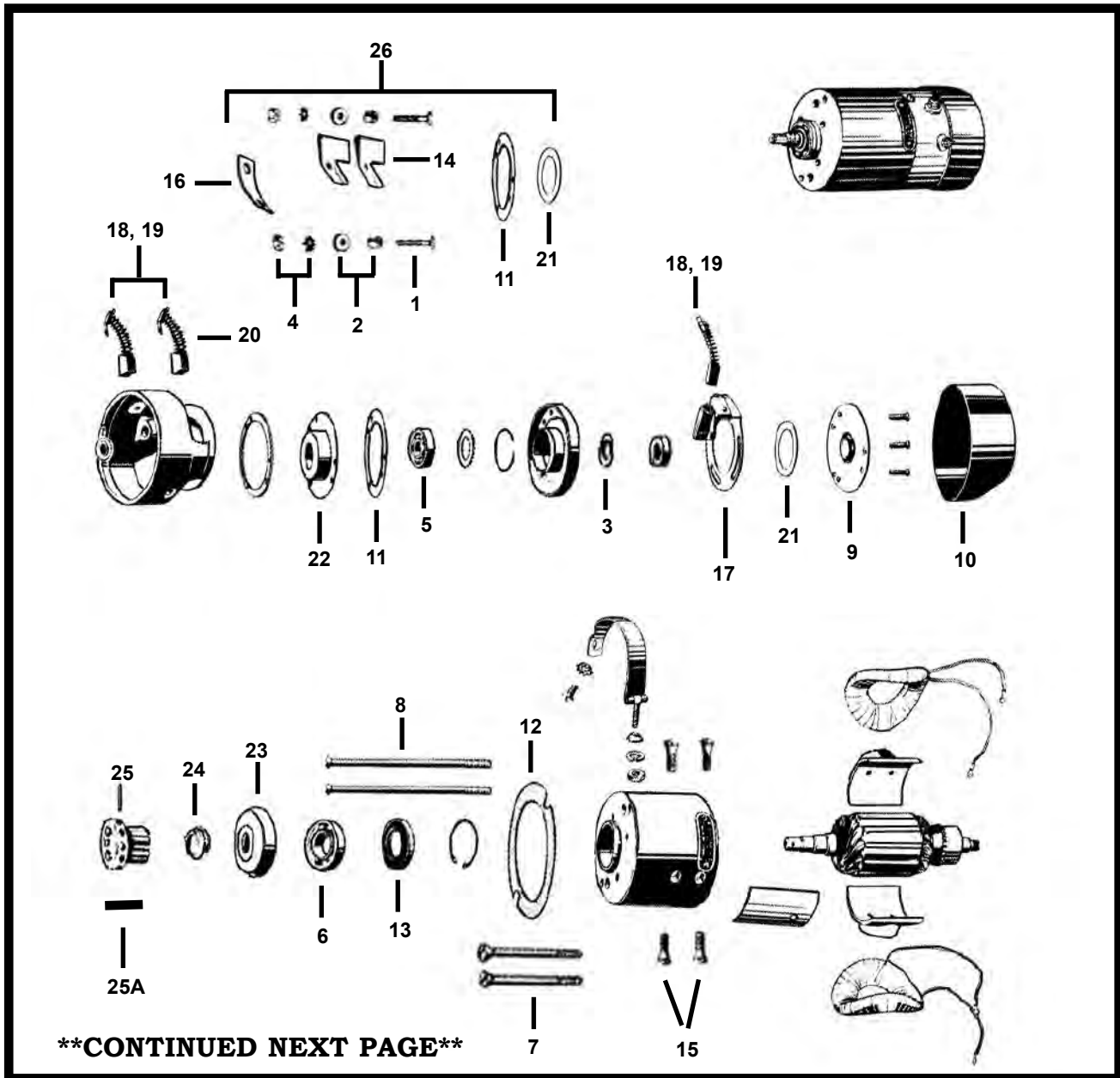
# \*\*EASTERN MOTORCYCLE PARTS\*\*

## \*\*GENERATOR\*\*

\*\*BIG TWIN 1932-1957\*\*

\*\*SPORTSTER 1952-1957\*\*

\*\*6-VOLT/3-BRUSH\*\*



**\*\*CONTINUED NEXT PAGE\*\***

<u>DIAGRAM NUMBER</u>	<u>EASTERN NUMBER</u>	<u>REPLACES OEM</u>	<u>DESCRIPTION</u>
1	L-3-815	2690W	pk-10 TERMINAL SCREWS, GENERATOR, BIG TWIN 1932-1957, SP. 1952-'57
2	L-3-816	6186 30463-32	pk-10 INSULATING WASHER & BUSHING, BIG TWIN 1932-1957. SP. 1954-'80
3	36-0234	7045	pk-100 LOCK WASHER, HI-COLLAR (3/8") **ZINC PLATED**
4	L-3-817	7634 7220	pk-10 TERMINAL NUTS WITH STAR WASHER
5	A-9005	9005	each BEARING, COMMUTATOR END, BIG TWIN 1932-1957, SPORT. 1952-'57
6	A-9007	9007	each BEARING, GEAR END, BIG TWIN 1932-1969, SPORTSTER 1952-1981

**\*5120 HILDA ROAD\* BLACKVILLE, S.C. 29817\* 803-284-3304\***

# \*\*EASTERN MOTORCYCLE PARTS\*\*

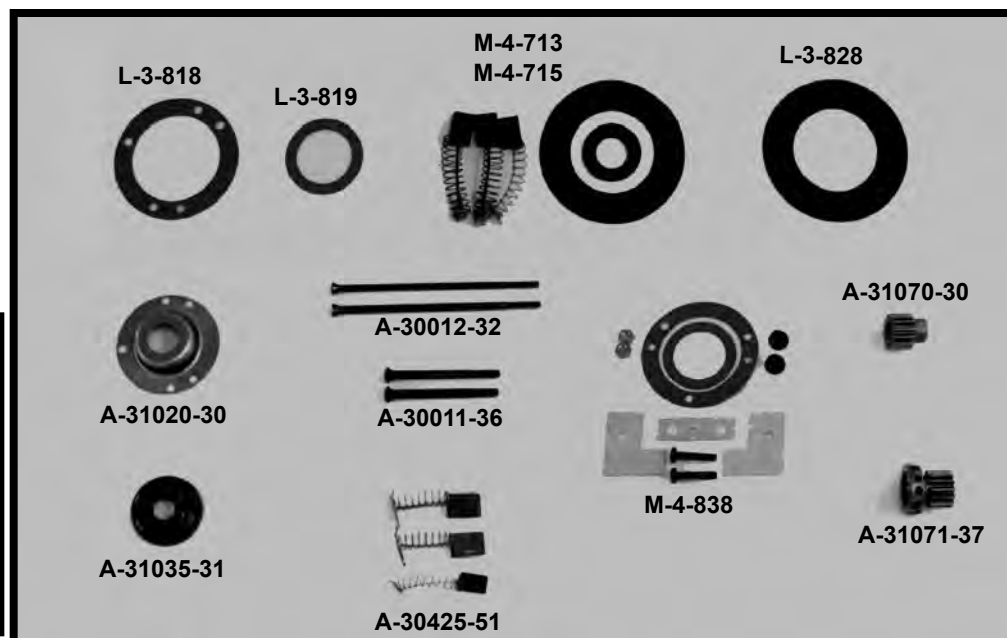
## \*\*GENERATOR\*\*

**\*\*BIG TWIN 1932-1957\*\***

**\*\*SPORTSTER 1952-1957\*\***

**\*\*6-VOLT/3-BRUSH\*\***

<u>DIAGRAM NUMBER</u>	<u>EASTERN NUMBER</u>	<u>REPLACES OEM</u>	<u>DESCRIPTION</u>
7	A-30011-36	30011-36	pair MOUNTING SCREWS, BIG TWIN 1938-1957
8	A-30012-32	30012-32	pair FRAME SCREWS, BIG TWIN 1932-1952, SPORTSTER 1952-1957
9	E-428		each END COVER RETAINER, STEEL, BIG TWIN 1932-1957, SP. 1952-1957
10	K-2-408	30137-32	each END COVER <b>**CHROME**</b> BIG TWIN 1932-1957, SPORT. 1952-1957
11	L-3-818	30138-30	pk-10 GASKET, DRIVE END COVER, BIG TWIN 1932-1957, SPORT. 1954-1957
12	L-3-828	30143-30	pk-10 GASKET, MOUNTING GEN. TO CASE, BIG TWIN 1932-1957, SP. 1952-57
13	A-30145-46A	30145-46A	pk-5 OIL SEAL, END COVER, BIG TWIN 1932-1969, SPORTSTER 1952-1981
14	L-3-820	30228-32	pk-5 GASKET, FIELD COIL TERMINAL, BIG TWIN 1932-1957, SP. 1954-1957
15	A-30280-18	30280-18	pk-10 SCREWS, POLE SHOES, BIG TWIN 1932-1957, SPORTSTER 1952-1957
16	L-3-821	30373-51	pk-10 GASKET, BRUSH HOLDER INSULATOR, B/T 1932-1957, SP. 1954-1957
17	E-427	30385-32	each BRUSH HOLDER, <b>**6-VOLT**</b> (3-BRUSH GEN.) B/T 1932-57, SP. 1952-57
18	A-30425-32	30425-32	set-3 BRUSHES, WITH SPRING, 32E, BIG TWIN 1932-1952
19	A-30425-51	30425-51	set-3 BRUSHES, WITH SPRING, 52 & 52K, BIG TWIN 1952-1957, SP. 1952-'57
20	A-30430-26	30430-26	pk-10 SPRINGS, SMALL BRUSH, BIG TWIN 1932-1957, SPORTSTER 1952-'57
	A-30453-32	30453-32	pk-10 SPRINGS, BIG BRUSH, BIG TWIN 1932-1957, SPORTSTER 1952-1957
21	L-3-819	31015-30	pk-10 GASKET, COMMUTATOR END, BIG TWIN 1932-1957, SPORT. 1954-1957
22	A-31020-30	31020-30	pk-5 RETAINER, INNER, BIG TWIN 1932-1957, SPORTSTER 1952-1957
23	A-31035-31	31035-31	each OIL DEFLECTOR, GENERATOR GEAR, BIG TWIN 1932-1957
24	A-31040-31	31040-31	pk-10 SPRINGS, GENERATOR DRIVE GEAR, BIG TWIN 1932-1957, SP.1952-57
25	A-31070-30	31070-30	each GENERATOR DRIVE GEAR <b>**14-TOOTH**</b> BIG TWIN 1932-1957
	A-31071-37	31071-37	each GENERATOR DRIVE GEAR, <b>W/SLINGER</b> , BIG TWIN 1937-1948
25A	A-327	327	pk-25 DOWEL PINS, GENERATOR GEAR, BIG TWIN 1932-1957
26	M-4-838		kit GASKET KIT, EARLY GENERATOR, BIG TWIN 1932-1957, SP. 1952-1957 KIT INCL: (2) 3-815, (2) 3-816, (2) 3-817, (1) 3-818, (1) 3-819, (2) 3-820. (1) 3-821
	M-4-713		kit GASKET KIT, <b>**6-VOLT**</b> #32 GEN., BIG TWIN 1932-1957, SP. 1952-1957 KIT INCL: (1) 30143-30, (1) 30145-46A, (1) 30425-32
	M-4-715		kit GASKET KIT, <b>**6-VOLT**</b> #52 GEN., BIG TWIN 1952-1957, SP. 1952-1957 KIT INCL: (1) 30143-30, (1) 30145-46A, (1) 30425-51



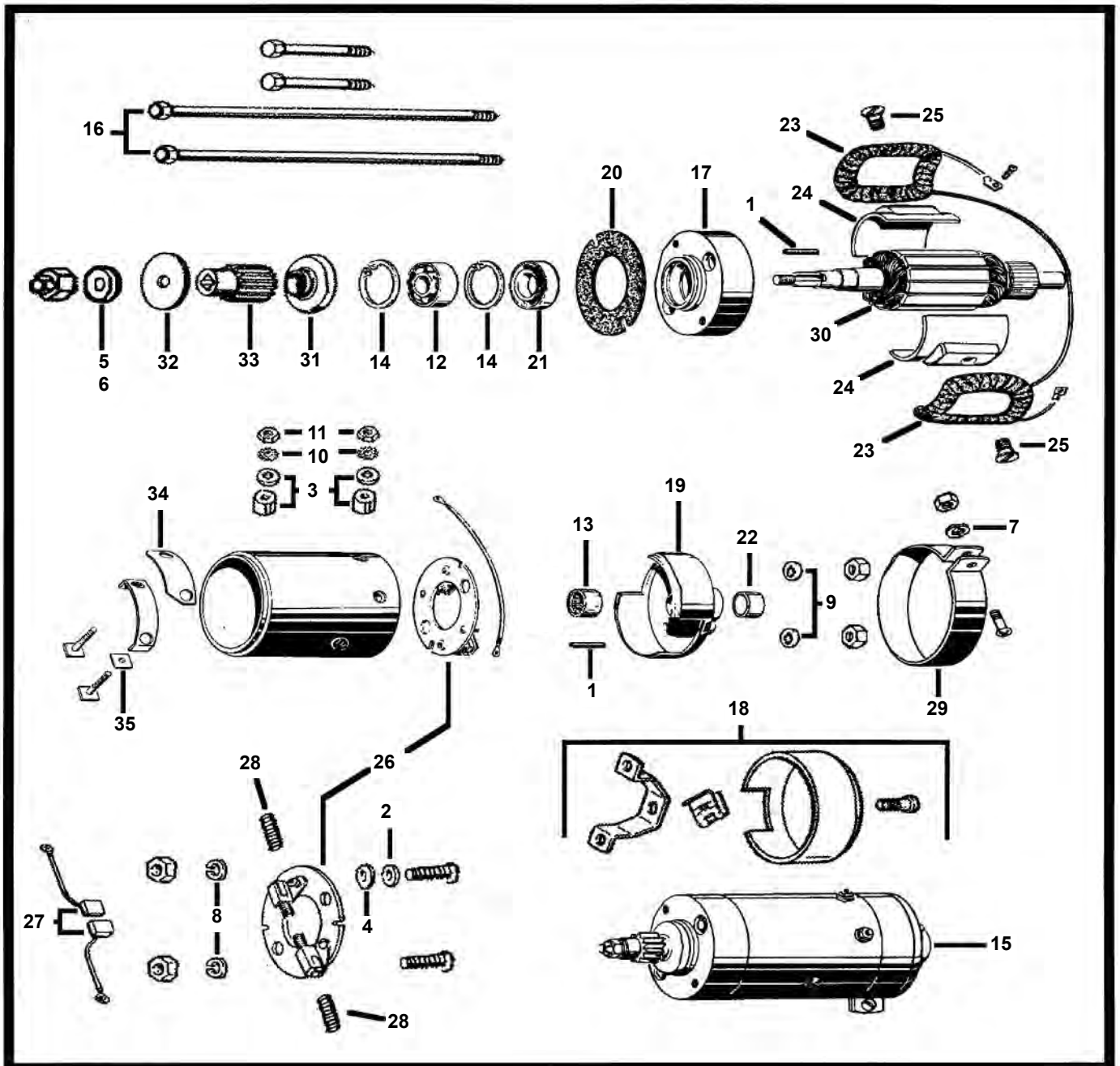
# \*\*EASTERN MOTORCYCLE PARTS\*\*

## \*\*GENERATOR\*\*

\*\*BIG TWIN 1958-1969\*\*

\*\*SPORTSTER 1971-1981\*\*

\*\*6 AND 12 VOLT\*\*



\*\*CONTINUED NEXT PAGE\*\*

\*5120 HILDA ROAD\* BLACKVILLE, S.C. 29817\* 803-234-3304\*

\*Pg 300\*

# **\*\*EASTERN MOTORCYCLE PARTS\*\***

## **\*\*GENERATOR\*\***

**\*\*BIG TWIN 1958-1969\*\***

**\*\*SPORTSTER 1971-1981\*\***

**\*\*6 AND 12 VOLT\*\***

<u>DIAGRAM NUMBER</u>	<u>EASTERN NUMBER</u>	<u>REPLACES OEM</u>	<u>DESCRIPTION</u>
1	A-603	603	pk-25 ROLL PINS, *3/32 X 1/2*, BLACK PHOSPHATE
2	A-6165W	6165W	pk-25 WASHER, (STEEL) <b>**ZINC PLATED**</b> 3/16 X 3/8 X 1/32 THICK
3	L-3-816	5911/6186	pk-10 INSULATING BUSHING & WASHER, BIG TWIN 1932-1969, SP 1952-1957
4	A-6193	6193	pk-25 WASHER, (STEEL) <b>**ZINC PLATED**</b> #10 X 15/32 X 1/32 THICK
5	A-6324W	6324W	pk-25 WASHER, (STEEL) <b>**ZINC PLATED**</b> 5/16 X 11/16 X 3/32 THICK
6	A-6327B	6327B	pk-25 WASHER, (STEEL) <b>**ZINC PLATED**</b> 5/16" X 3/4" X 3/64" THICK
7	36-0198	7036	pk-100 LOCK WASHERS, REGULAR 1/4" <b>**ZINC PLATED**</b>
8	36-0262	7069	pk-100 LOCK WASHERS, REGULAR # 10 <b>**ZINC PLATED**</b>
9	35-0222	7124	pk-100 LOCK WASHERS, INTERNAL 1/4" <b>**ZINC PLATED**</b>
10	35-0276	7220	pk-100 LOCK WASHERS, EXTERNAL # 10 <b>**ZINC PLATED**</b>
11	L-3-817	7634	pk-10 TERMINAL NUTS, W/ STAR WASHER, B/T 1936-1957, SP 1954-1957
12	A-9007	9007	each BEARING, GEN. GEAR END, B/T 1932-1969, SPORTSTER 1952-1981
13	A-9064	9064	each BEARING, GEN. COMMUTATOR END, B/T 1961-1969, SP 1961-1981
	A-9088	9088	each BEARING, GEN. END COVER, B/T 1958-1969, SPORTSTER 1958-1981
14	A-11004	11004	pk-10 RETAINING RING, GEN. END, B/T 1958-1969, SPORTSTER 1958-1980
15	E-1211B	29975-65A	each GENERATOR, BLACK (12-V) <b>**USA**</b> BIG TWIN 1965-1969, GENERATOR, BLACK (12-V) <b>**USA**</b> SPORTSTER 1965-1981
	E-1214B	29975-65A	each GENERATOR, BLACK (12-V) <b>**IMPORTED**</b> BIG TWIN 1965-1969, GENERATOR, BLACK (12-V) <b>**IMPORTED**</b> SPORTSTER 1965-1981
	E-1212B	29975-58A	each GENERATOR, BLACK (6-V) <b>**USA**</b> BIG TWIN 1958-1964, GENERATOR, BLACK (6-V) <b>**USA**</b> SPORTSTER 1958-1964
	E-1216C	29976-83T	each GENERATOR, CHROME (12-V) <b>**IMPORTED**</b> BIG TWIN 1965-1969, GENERATOR, CHROME (12-V) <b>**IMPORTED**</b> SPORTSTER 1965-1981
16	A-30012-58	30012-58	pair FRAME SCREWS, # -58,61,65,65A GEN, B/T 1958-1969, SP. 1958-1981
17	E-429	30095-61	each END COVER, (DRIVE END) ALUMINUM, B/T 1958-1969, SP. 1958-1981
18	K-2-407	30131-59	each END COVER, CHROME GEN.(2-BRUSH), B/T 1958-1969, SP. 1958-1981
19	E-429A	30132-61A	each END COVER, (COMM. END) ALUMINUM, B/T 1958-1969, SP. 1958-1981
20	L-3-830	30143-58	pk-10 GASKETS, MOUNTING GEN (TO CASE), B/T 1958-1969, SP. 1958-1981
21	A-30145-46A	30145-46A	pk-5 OIL SEAL, GEN. GEAR END COVER, B/T 1932-1969, SPORT. 1952-1981
22	A-30148-58	30148-58	pk-5 BUSHING, GEN. REAR END COVER, B/T 1958-1964, SPORT. 1958-1964
23	E-1007	30201-58A	set-2 FIELD COILS, #61 2-BRUSH (6-VOLT), B/T 1958-'64, SP '58-'64 <b>**USA**</b>
24	A-30276-58	30276-58	pair POLE SHOES, W/ SCREWS, B/T 1958-1969, SPORTSTER 1958-1981
25	A-30280-58	30280-58	pk-10 SCREWS,(POLE SHOES)2-BRUSH GEN, B/T 1958-1969,SP 1958-1981
26	E-426	30350-58	each BRUSH HOLDER, (12-V) 2-BRUSH, B/T 1965-1969, SP 1965-1981
	E-425	30350-66	each BRUSH HOLDER, (6-V) 2-BRUSH, B/T 1958-1964, SP 1958-1964
27	A-30426-58	30426-58	set-2 BRUSHES, 6 & 12 V GEN MODELS 58-61-65, B/T 1958-'69, SP 1958-1981
28	A-30453-58	30453-58	pk-10 SPRINGS, BRUSH HOLDER, B/T 1958-1969, SPORTSTER 1958-1981
29	A-30475-66	30475-66	each STRAP, BRUSH COVER END (BLACK), B/T 1958-1969, SP 1958-1981
	A-30475-66C	30475-66	each STRAP, BRUSH COVER END (CHROME), B/T 1958-1969, SP 1958-1981
30	E-1000A	30851-61	each ARMATURE, (6-V) MODEL # 61, (USA) B/T 1961-1964, SPORT 1961-1964
	E-1001A	30851-58	each ARMATURE, (6-V) MODEL # 58, (USA) B/T 1958-1961, SPORT. 1958-1961
	E-1003A	30851-65A	each ARMATURE, (12-V) B/T 1965-1969, SPORTSTER 1965-1981 <b>**USA**</b>
31	A-31035-58	31035-58	each OIL DEFLECTOR, GENERATOR GEAR, B/T 1958-1969, SP. 1958-1981
32	A-31067-63	31067-63	pk-5 WASHER, GENERATOR DRIVE GEAR, SPORTSTER 1958-1981
33	A-31070-58	31070-58	each GEAR, (13T) GEN. DRIVE, (2-BRUSH) BIG TWIN 1958-1969
	A-31073-63	31073-63A	each GEAR, (14T) GEN. DRIVE, (2-BRUSH) SPORTSTER 1958-1984
34	L-3-824	31097-58	pk-10 GASKET, TERMINAL INSULATOR (2-BRUSH), B/T 1958-1969, SP 1958-'80
35	L-3-825	31098-58	pk-10 GASKET, TERMINAL INSULATOR (2-BRUSH), B/T 1958-1969, SP 1958-'80

# \*\*EASTERN MOTORCYCLE PARTS\*\*

## \*\*GENERATOR\*\*

\*\*SPORTSTER 1982-E/1984\*\*

\*\*12 VOLT\*\*

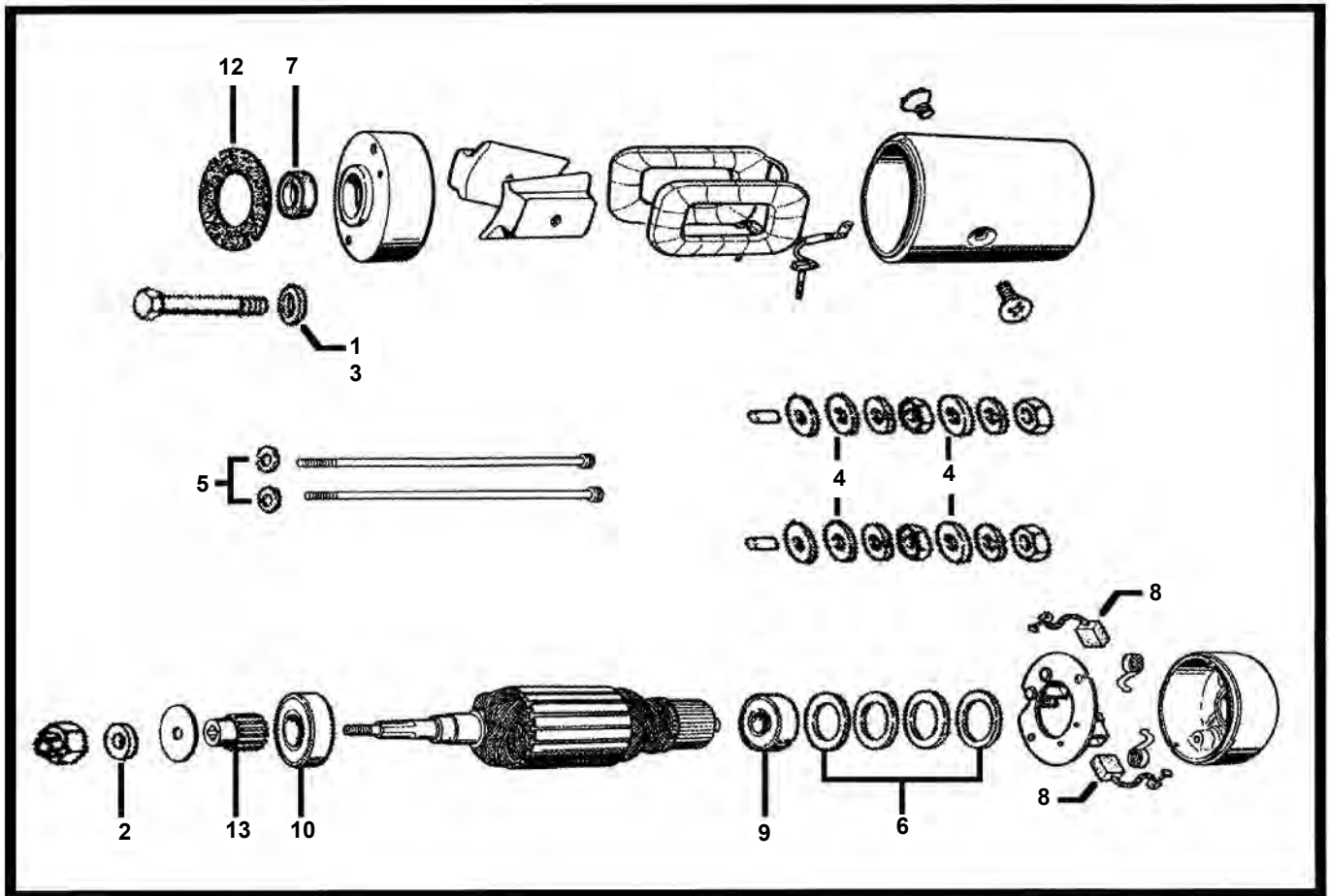


DIAGRAM NUMBER	EASTERN NUMBER	REPLACES OEM	DESCRIPTION
1	A-6016	6016	pk-25 WASHER, (STEEL) 11/32" X 11/16" X 1/16" THICK
2	A-6327B	6327B	pk-25 WASHER, (STEEL) 5/16" X 3/4" X 3/64" THICK
3	A-6702	6702	pk-25 WASHER, (STEEL) 5/16" X 11/16" X 1/16" THICK
4	A-6716	6716	pk-25 WASHER, REGULAR # 10 X 1/2" X 3/64
5	36-0198	7036	pk-100 LOCK-WASHERS, REGULAR 1/4" **ZINC PLATED**
6	A-29907-82	29907-82	pk-10 SHIMS, (.004)COMMUTATOR END, SPORTSTER 1982-1984
	A-29908-82	29908-82	pk-10 SHIMS, (.010)COMMUTATOR END, SPORTSTER 1982-1984
	A-29909-82	29909-82	pk-10 SHIMS, (.020)COMMUTATOR END, SPORTSTER 1982-1984
	A-29910-82	29910-82	pk-10 SHIMS, (.039)COMMUTATOR END, SPORTSTER 1982-1984
	A-29910-SET	set-4	SHIM SET, COMMUTATOR END, (SET-4) SPORTSTER 1982-1984 <b>SET INCLUDES: (1ea) 29907-82, 29908-82, 29909-82, 29910-82</b>
7	A-29911-82	29911-82	pk-5 OIL SEAL, GENERATOR GEAR END, SPORTSTER 1982-E/1984
8	A-29913-82	29913-82	set-2 BRUSHES,(12-V) HITACHI **MADE IN USA**,SPORTSTER 1982-1984
9	A-29916-82	29916-82	each BEARING, HITACHI, ARMATURE COM. END, SPORTSTER 1982-1984
10	A-29917-82	29917-82	each BEARING, HITACHI, GEAR END, SPORTSTER 1981-1984
12	L-3-830	30143-58	pk-10 GASKETS, GENERATOR (TO CASE), SPORTSTER 1958-E/1984
13	A-31073-63	31073-63A	each DRIVE GEAR, 2-BRUSH (14-T), SPORTSTER 1958-1984

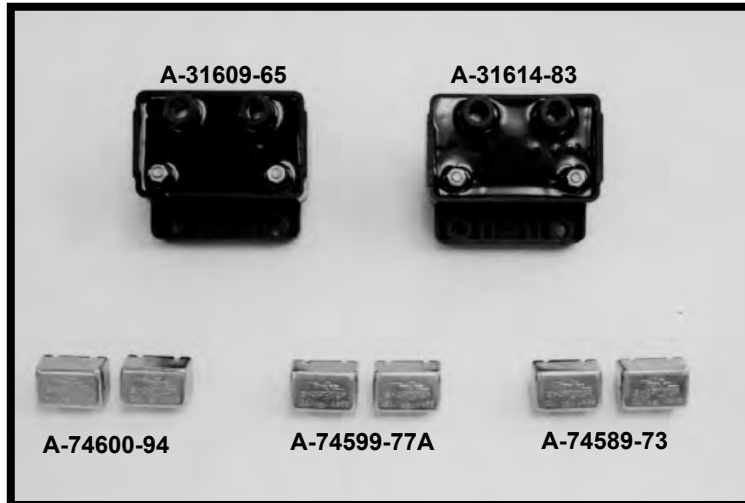


# **\*\*EASTERN MOTORCYCLE PARTS\*\***

## **\*\*IGNITION COILS\*\***

## **\*\*AND CIRCUIT BREAKERS\*\***

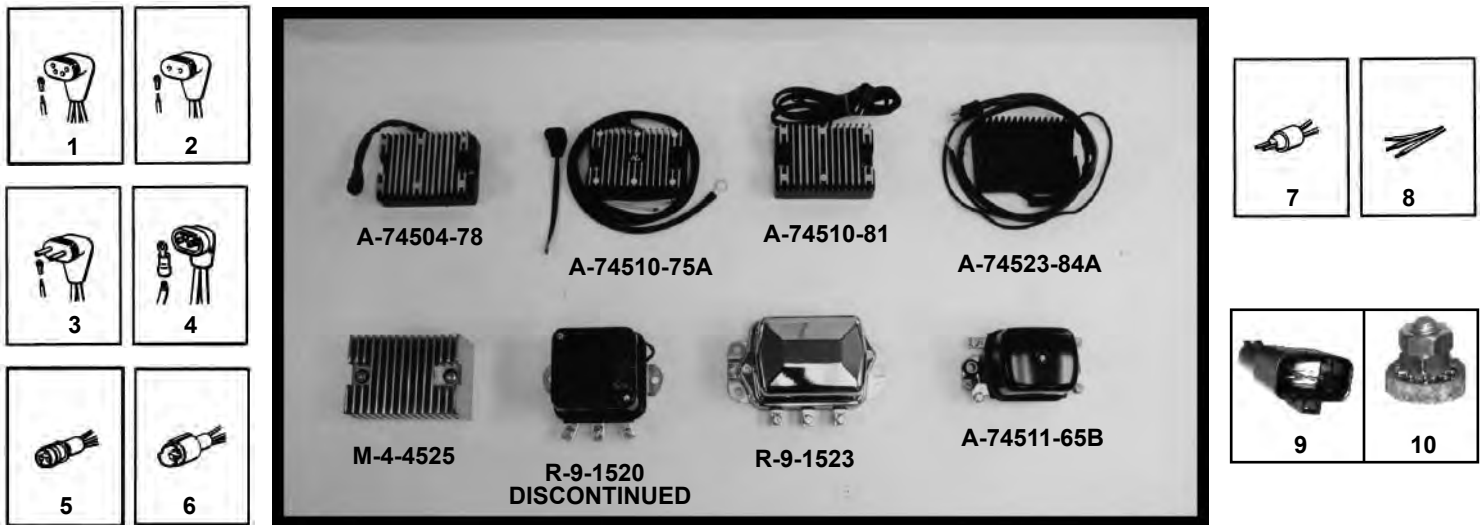
## **\*\*BIG TWIN-SPORTSTER\*\***



<u>EASTERN NUMBER</u>	<u>REPLACES OEM</u>	<u>DESCRIPTION</u>
A-31602-30	31602-30 each	IGNITION COIL, **6-VOLT** (BLACK) BIG TWIN 1930-1947
A-31604-48	31604-48 each	IGNITION COIL, **6-VOLT** (BLACK) BIG TWIN 1948-1960, SPORTSTER 1952-1957
A-31604-61	31604-61 each	IGNITION COIL, **6-VOLT** (BLACK) BIG TWIN 1961-1964
A-31609-65	31609-65 each	IGNITION COIL, **6-VOLT** (BLACK) BIG TWIN 1941-1964, SPORTSTER 1954-1964
A-31609-65A	31609-65A each	IGNITION COIL, **12-VOLT** (BLACK) BIG TWIN 1965-1979, SPORTSTER 1965-1979
A-31609-80	31609-80 each	IGNITION COIL, **12-VOLT** (BLACK) BIG TWIN 1980-1983, SPORTSTER 1984-1983
A-31614-83A	31614-83A each	IGNITION COIL, **12-VOLT** (BLACK) BIG TWIN 1984-1999, SPORTSTER 1984-PRESENT
A-31620-88A	31620-88A each	IGNITION COIL, **12-VOLT** BIG TWIN 1988-1999, SPORTSTER 1988-PRES. (HI-PERF.)
74-1200	31614-83 A each	IGNITION COIL, **12-VOLT** BIG TWIN 1985-1999, SPORTSTER 1985-P. *ANDREWS*
74-1204	each	IGNITION COIL, **12-VOLT** BIG TWIN 1965-1980, SPORTSTER 1965-1980 *ANDREWS*
A-31655-99	31655-99 each	IGNITION COIL, **12-VOLT** (BLACK) BIG TWIN 1999-PRESENT
M-4-142	31606-65 each 31800-78	COIL COVER, PLAIN, **CHROME** BIG TWIN 1965-1984, SPORTSTER 1971-1976
M-4-140	31610-83T each	COIL COVER, LOUVERED, **CHROME** BIG TWIN 1965-1984, SPORTSTER 1971-1976
R-9-1038	31625-82 each	COIL COVER, **CHROME** BIG TWIN 1982-1994
J-1-21	32723-71A each	COIL MOUNTING BRACKET **CHROME** SPORTSTER 1971-1978
R-9-1600	32400-80A each	CAM SENSOR PLATE **OEM STYLE** BIG TWIN 1980-1994, SPORTSTER 1980-1984
R-9-1602	32400-94 each	CAM SENSOR PLATE **OEM STYLE** BIG TWIN 1994-1995, SPORTSTER 1995-2001
R-9-1604	32404-90 each	CAM SENSOR PLATE **OEM STYLE** BIG TWIN 1991-1995
<b>**ALL CIRCUIT BREAKERS BELOW ARE MADE IN U.S.A.**</b>		
A-74586-70	74586-70 each	CIRCUIT BREAKER, **30 AMPS** BIG TWIN 1970-1972
A-74587-94	74587-94 each	CIRCUIT BREAKER, **15 AMPS** BIG TWIN 1994-1996, SPORTSTER 1994-1996
A-74588-94	74588-94 each	CIRCUIT BREAKER, **10 AMPS** SPORTSTER 1994-1997
A-74589-73	74589-73 each	CIRCUIT BREAKER, **15 AMPS** BIG TWIN 1973-1996, SPORTSTER 1973-PRESENT
A-74590-93	74590-93 each	CIRCUIT BREAKER, **10 AMPS** BIG TWIN 1993-1994
A-74594-71	74594-71 each	CIRCUIT BREAKER, **20 AMPS** BIG TWIN 1973-PRESENT, SPORTSTER 1973-PRESENT
A-74599-77A	74599-77A each	CIRCUIT BREAKER, **30 AMPS** BIG TWIN 1978-1996, SPORTSTER 1978-PRESENT
A-74600-94	74600-94 each	CIRCUIT BREAKER, **50 AMPS** BIG TWIN 1994-1996, SPORTSTER 1994-PRESENT
A-74600-97A	74600-97A each	CIRCUIT BREAKER, **40 AMPS** BIG TWIN 1997-PRESENT

# \*\*EASTERN MOTORCYCLE PARTS\*\*

## \*\*RECTIFIERS AND REGULATORS\*\*



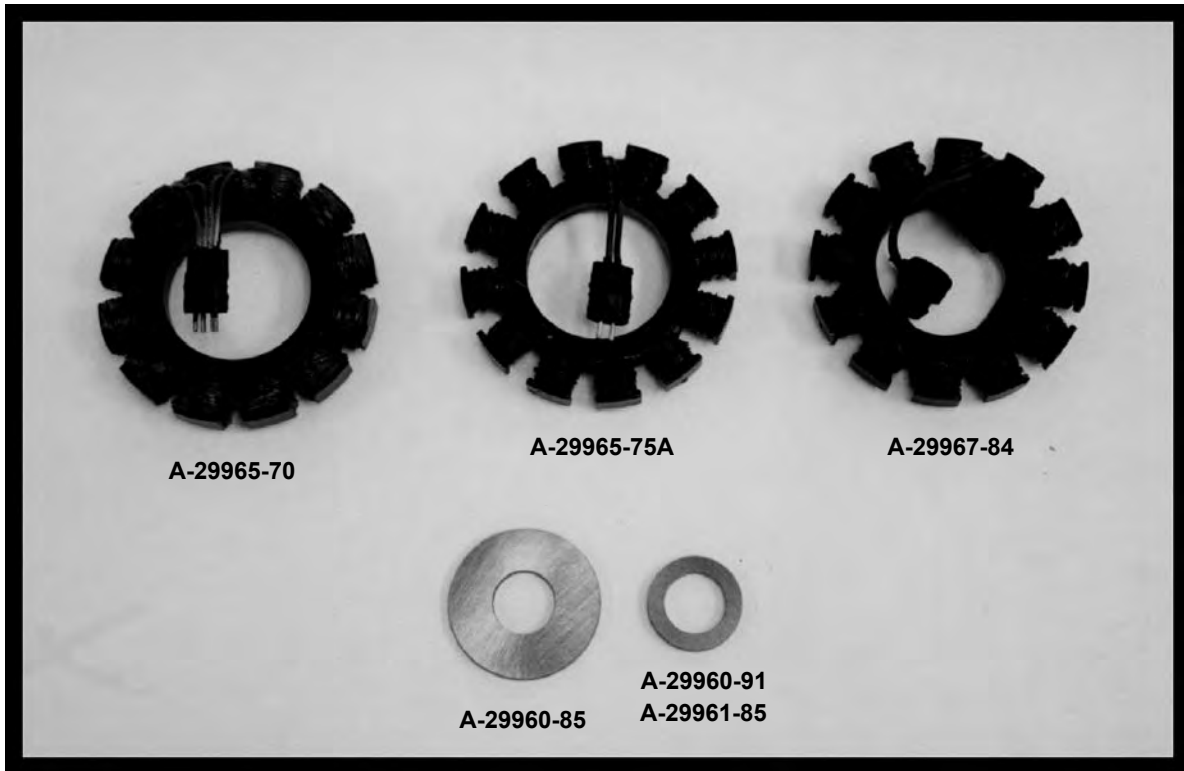
<u>EASTERN NUMBER</u>	<u>REPLACES OEM</u>	<u>PLUG TYPE</u>	<u>DESCRIPTION</u>
<b>**RECTIFIERS** (SOLD EACH)</b>			
A-74504-75A	74504-78	5	RECTIFIER, **12 VOLT** (GENERATOR TYPE) SPORTSTER 1978-1981 <b>**IMPORTED**</b>
A-74504-78	74504-78	5	RECTIFIER, **12 VOLT** (GENERATOR TYPE) SPORTSTER 1978-1981 <b>*MADE IN U.S.A.*</b>
A-74505-95	74505-95	10	RECTIFIER, **12 VOLT** (45 AMPS) BIG TWIN 1995-PRESENT <b>*MADE IN U.S.A.*</b>
A-74510-58	74510-47A	8	RECTIFIER, **6 VOLT** (GENERATOR TYPE) B/T 1958-'64, SP. 1958-'64 <b>**IMPORTED**</b>
A-74510-65	74510-65	8	RECTIFIER, **12 VOLT** (GENERATOR TYPE) B/T 1965-1969, SP. 1965-'81 <b>**U.S.A.**</b>
A-74510-70A	74510-70A	1	RECTIFIER, **12 VOLT** (15 AMP) BIG TWIN 1970-1975 <b>*MADE IN U.S.A.*</b>
A-74510-75	74510-75A	2	RECTIFIER, **12 VOLT** (18 AMP) BIG TWIN 1970-1975 <b>**IMPORTED**</b>
A-74510-81	74510-81	3	RECTIFIER, **12 VOLT** (18 AMPS) BIG TWIN 1981-1985 <b>**IMPORTED**</b>
A-74512-79A	74512-79A	2	RECTIFIER, **12 VOLT** (18 AMPS) BIG TWIN 1981-1985 <b>*MADE IN U.S.A.*</b>
A-74512-00	74512-00	9	RECTIFIER, **12 VOLT** (32 AMPS) BIG TWIN 2000-PRESENT <b>*MADE IN U.S.A.*</b>
A-74516-86	74516-86	3	RECTIFIER, **12 VOLT** (22 AMPS) BIG TWIN 1981-1988 <b>*MADE IN U.S.A.*</b>
A-74518-99A	74518-99A	9	RECTIFIER, **12 VOLT** (32 AMPS) BIG TWIN 1999-PRESENT <b>*MADE IN U.S.A.*</b>
A-74519-88	74519-88	4	RECTIFIER, **12 VOLT** (32 AMPS) BIG TWIN 1989-1996 <b>*MADE IN U.S.A.*</b>
A-74523-84	74523-84	7	RECTIFIER, **12 VOLT** (19 AMPS) SPORTSTER 1985-1986 <b>*MADE IN U.S.A.*</b>
A-74523-84A	74523-84A	7	RECTIFIER, **12 VOLT** (19 AMPS) SPORTSTER L/1984-1990 <b>*MADE IN U.S.A.*</b>
A-74523-91	74523-91	7	RECTIFIER, **12 VOLT** (22 AMPS) SPORTSTER 1991-ONLY <b>*MADE IN U.S.A.*</b>
A-74523-92A	74523-92A	7	RECTIFIER, **12 VOLT** (22 AMPS) SPORTSTER 1992-1994 <b>*MADE IN U.S.A.*</b>
A-74523-94A	74523-94A	7	RECTIFIER, **12 VOLT** (22 AMPS) SPORTSTER 1994-PRESENT <b>*MADE IN U.S.A.*</b>
A-74540-01	74540-01		RECTIFIER, **12 VOLT** (32 AMPS) BIG TWIN 2001-PRESENT <b>*MADE IN U.S.A.*</b>
M-4-4525			RECTIFIER COVER, <b>**CHROME**</b> BIG TWIN 1970-PRESENT, SPORTSTER 1978-PRES.
<b>**REGULATORS** (SOLD EACH)</b>			
R-9-1521	74508-85T		REGULATOR, **6 VOLT** (CHROME COVER) B/T 1958-1964, SPORT. 1958-1964 <b>**U.S.A.**</b>
R-9-1523	74510-64		REGULATOR, **12 VOLT** (CHROME COVER) B/T 1965-1969, SP. 1965-1978 <b>**U.S.A.**</b>
	74507-85		
A-74510-64	74510-64		REGULATOR, **12 VOLT** (MECHANICAL) B/T 1965-1969, SP. 1965-1978 <b>**IMPORTED**</b>
A-74511-65	74511-65		REGULATOR, **12 VOLT** (GENUINE BOSCH) SPORTSTER 1965-1978
A-74511-65C	74511-65		REGULATOR, **12 VOLT** (CHROME COVER) SPORTSTER 1965-1978 <b>**U.S.A.**</b>
A-74511-65T	74511-65		REGULATOR, **12 VOLT** (BOSCH STYLE) SPORTSTER 1965-1978 <b>**IMPORTED**</b>

# **\*\*EASTERN MOTORCYCLE PARTS\*\***

## **\*\*STATORS\*\***

### **\*\*AND RELATED PARTS\*\***

#### **\*\*BIG TWIN-SPORTSTER\*\***



#### **EASTERN NUMBER**

#### **REPLACES OEM**

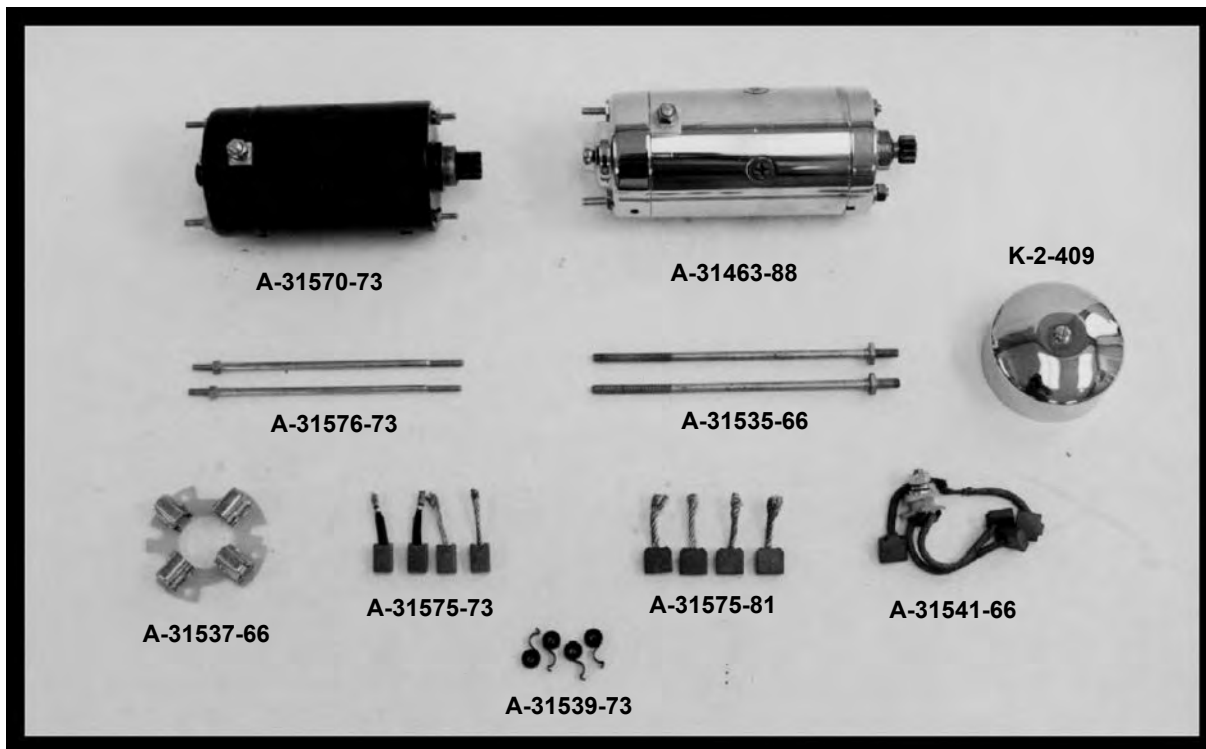
#### **DESCRIPTION**

<b><u>EASTERN NUMBER</u></b>	<b><u>REPLACES OEM</u></b>	<b><u>DESCRIPTION</u></b>
A-29923-01A	29923-01A pk-5	WASHER, STATORS **OUTSIDE ROTOR** BIG TWIN 2001-PRESENT
A-29954-71	29954-71 pk-10	NYLON RETAINER, ALTERNATOR PLUG, BIG TWIN 1971-1999
A-29960-85	29960-85 each	WASHER, STATORS **OUTSIDE ROTOR** BIG TWIN 1985-1990
A-29960-91	29960-91 pk-5	WASHER, STATORS **OUTSIDE ROTOR** BIG TWIN 1991-1999
A-29961-85	29961-85 pk-5	WASHER, STATORS **INSIDE ROTOR** BIG TWIN 1985-1999
A-29965-70	29965-70 each	STATORS, ALTERNATOR, (4-WIRE) **NOT MOLDED** BIG TWIN 1970-1975
A-29965-75	29965-75 each	STATORS, ALTERNATOR, (2-WIRE) **MOLDED** BIG TWIN 1976-1980
A-29965-75A	29965-75 each	STATORS, ALTERNATOR, (2-WIRE) **NOT MOLDED** BIG TWIN 1976-1980
A-29965-81A	29965-81A each	STATORS, ALTERNATOR, (2-WIRE) **MOLDED** BIG TWIN 1981-1988
A-29967-84	29967-84 each	STATORS, ALTERNATOR, (2-WIRE) **NOT MOLDED** SPORTSTER 1984-1990
A-29967-89	29967-89A each	STATORS, ALTERNATOR, (2-WIRE) **NOT MOLDED** SPORTSTER 1991-PRESENT
A-29970-88	29970-88 each	STATORS, ALTERNATOR, (2-WIRE) **NOT MOLDED** BIG TWIN 1989-1996

# **\*\*EASTERN MOTORCYCLE PARTS\*\***

## **\*\*STARTERS\*\***

### **\*\*AND RELATED PARTS\*\***



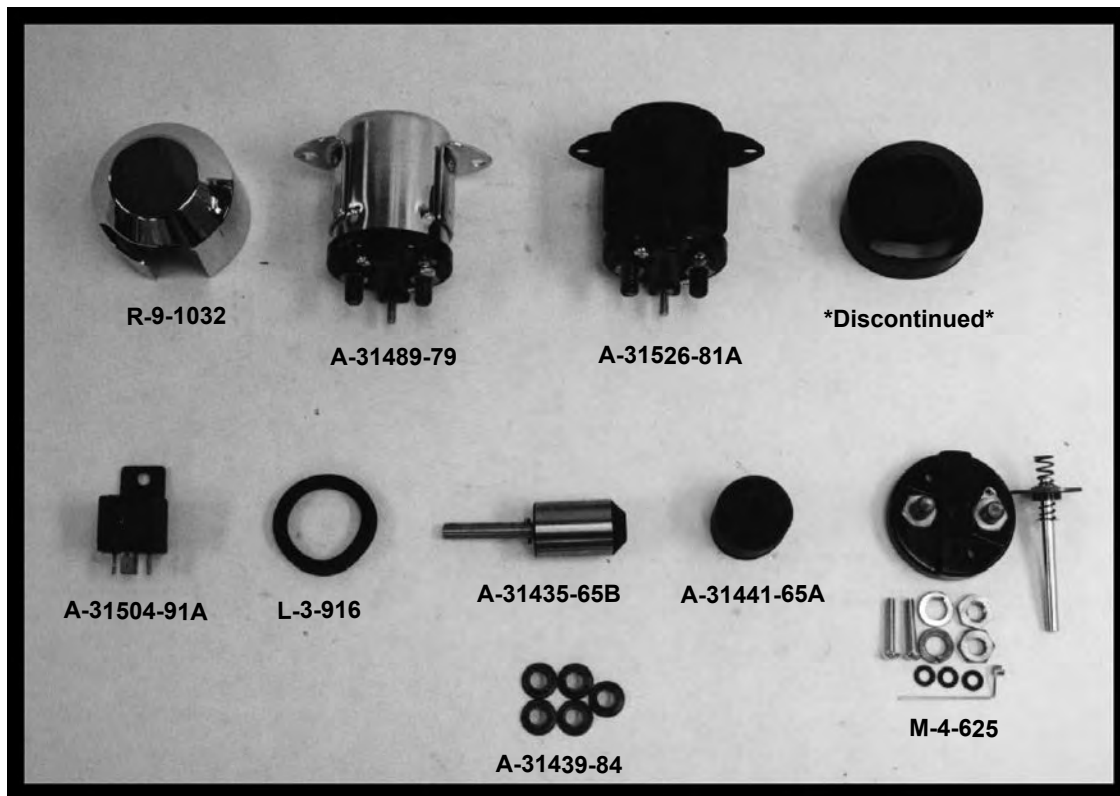
<u>EASTERN NUMBER</u>	<u>REPLACES OEM</u>	<u>DESCRIPTION</u>
A-31430-94	31430-94 pk-5	THRUST WASHER, STARTER SHAFT PINION GEAR, BIG TWIN 1994-2006
A-31458-66A	31458-66A each	STARTER MOTOR, **PRESTOLITE** (BLACK) BIG TWIN 1966-1982, SPORT. 1967-1980
A-31463-88	31463-88 each	STARTER MOTOR, **PRESTOLITE** (CHROME) BIG TWIN 1966-1982, SPORT. 1967-1980
A-31473-86	31473-86 pk-5	PIVOT PIN SHIFT LEVER, BIG TWIN 1986-1988
A-31534-66	31534-66 pk-10	SPRINGS, BRUSH HOLDER **PRESTOLITE** BIG TWIN 1966-1982, SPORT. 1967-1980
A-31535-66	31535-66 pair	THRU-BOLTS, **PRESTOLITE STARTER** BIG TWIN 1966-1982, SPORT. 1967-1980
A-31537-66	31537-66 each	BRUSH HOLDER, **PRESTOLITE STARTER** BIG TWIN 1966-1982, SPORT. 1967-1980
A-31539-66	31539-66 each	BEARING, STARTER MOTOR **PRESTOLITE** BIG TWIN 1966-1982, SPORT. 1967-1980
A-31541-66	31541-66 set-4	BRUSHES **PRESTOLITE STARTER** BIG TWIN 1966-1982, SPORTSTER 1967-1980
A-31542-66	31542-66 each	ARMATURE **PRESTOLITE STARTER** BIG TWIN 1966-1982, SPORTSTER 1967-1980
A-31557-81	31557-81 pk-10	SPRINGS, STARTER MOTOR CLUTCH ASSEMBLY BIG TWIN 1989-1990, SP. 1981-1990
A-31570-73C	31559-89 each	STARTER MOTOR, **HITACHI** (CHROME) BIG TWIN 1982-1988, SPORTSTER 1974-1976
K-2-409	31565-67 each	END COVER, **HITACHI & PRESTOLITE** (CHROME) BIG TWIN 1966-1987, SP. 1967-P.
A-31570-73	31570-73 each	STARTER MOTOR, **HITACHI** (BLACK) BIG TWIN 1982-1988, SPORTSTER 1974-1976
A-31575-73	31575-73 set-4	BRUSHES, **HITACHI STARTER** BIG TWIN 1982-1988, SPORTSTER 1974-1977
	31582-73	
A-31575-81	31575-81 set-4	BRUSHES, **HITACHI STARTER** BIG TWIN 1989-PRESENT, SPORTSTER 1981-PRES.
A-31576-73	31576-73 pair	THRU-BOLTS, **HITACHI STARTER** BIG TWIN 1982-1988, SPORTSTER 1974-1976
A-31580-73	31580-73 each	ARMATURE, **HITACHI STARTER** BIG TWIN 1982-1988, SPORTSTER 1974-1976
A-31583-73	31583-73 each	BEARING, STARTER ARMATURE **HITACHI** BIG TWIN 1982-1988, SPORT. 1974-1976
A-31584-73	31584-73 pk-10	THRUST WASHERS, ARMATURE END, **HITACHI STARTER** B/T 1982-1988, SP.1974-'76
A-31593-73	31593-73 pk-10	SPRINGS, BRUSH HOLDER ASSEMBLY, **HITACHI** BIG TWIN 1982-1988, SP. 1974-1976
A-31600-90	31600-90 pk-10	SPRINGS, STARTER MOTOR CLUTCH ASSEMBLY, B/T 1991-2006, SPORT. 1991-2010

# **\*\*EASTERN MOTORCYCLE PARTS\*\***

## **\*\*STARTER SOLENOIDS & RELAYS\*\***

### **\*\*AND RELATED PARTS\*\***

#### **\*\*BIG TWIN-SPORTSTER\*\***



#### **EASTERN NUMBER**

#### **REPLACES OEM**

#### **DESCRIPTION**

<b><u>EASTERN NUMBER</u></b>	<b><u>REPLACES OEM</u></b>	<b><u>DESCRIPTION</u></b>
R-9-1032	31352-85T	each SOLENOID END COVER, DIE CAST ALUMINUM, <b>**CHROME**</b> BIG TWIN 1965-1986
A-31435-65B	31435-65B	each SOLENOID PLUNGER ASSEMBLY, BIG TWIN 1965-1988, SPORTSTER 1967-1980
A-31438-65A	31438-65A	pk-10 SPRINGS, SOLENOID OVER-RUN, BIG TWIN 1965-1988, SPORTSTER 1967-1980
A-31439-84	31439-65A	pk-5 RETAINER, OVER-RUN SPRING, BIG TWIN 1965-1988, SPORTSTER 1967-1980
A-31440-65	31440-65	pk-10 SPRINGS, RETURN PLUNGER, BIG TWIN 1965-1988, SPORTSTER 1967-1980
A-31441-65A	31441-65A	pk-5 RUBBER BOOT, SOLENOID PLUNGER, <b>**BLACK**</b> BIG TWIN 1965-1988, SP. 1967-1980
A-31489-79B	31489-79CB	each STARTER SOLENOID, <b>**ZINC PLATED**</b> BIG TWIN 1980-1988 <b>**MADE IN U.S.A.**</b>
A-31489-79C	31489-79C	each STARTER SOLENOID, <b>**CHROME**</b> BIG TWIN 1980-1988 <b>**IMPORTED**</b>
A-31504-91A	31504-91A	each STARTER RELAY, <b>**OEM STYLE**</b> BIG TWIN L/1993-PRES., SPORTSTER 1993-PRES.
A-31506-79B	31506-79B	each STARTER RELAY, <b>**OEM STYLE**</b> BIG TWIN 1988-E/1993, SPORTSTER 1980-1992
A-31511-01B	31511-01B	each STARTER RELAY, <b>**OEM STYLE**</b> (FLT) BIG TWIN 2001-2007
A-31522-00C	31522-00C	each STARTER RELAY, <b>**OEM STYLE**</b> (FLT, DYNA, SOFTAIL) BIG TWIN 2000-2003
A-31526-81A	31526-81A	each STARTER SOLENOID, <b>**BLACK**</b> BIG TWIN 1980-1988 <b>**IMPORTED**</b>
A-31601-04	31601-04	each STARTER RELAY, <b>**OEM STYLE**</b> SPORTSTER 2006-PRESENT
L-3-916	60645-54	pk-10 GASKETS, SOLENOID MOUNT, BIG TWIN L/1965-1982, SPORTSTER 1967-1980
A-71455-67B	71455-67	each STARTER RELAY, <b>**BLACK COVER**</b> BIG TWIN 1967-1973, SPORTSTER 1967-1974
A-71455-67C	71455-67	each STARTER RELAY, <b>**CHROME COVER**</b> BIG TWIN 1967-1973, SPORTSTER 1967-1974
A-71463-73	71463-73	each STARTER RELAY, BIG TWIN 1973-1985, SPORTSTER 1974-1979
M-4-625	71465-85T	kit SOLENOID REPAIR KIT, <b>**PRESTOLITE STARTER**</b> BIG TWIN 1965-1988, SP. 1967-1980
	71466-65	
A-71469-65C	71470-86T	each STARTER SOLENOID, <b>**CHROME**</b> BIG TWIN 1965-1988, SPORT. 1967-1980 <b>**IMPORT**</b>
A-74750-38C	74750-38	each RELAY (6-VOLT) <b>**CHROME COVER**</b> BIG TWIN 1938-1957, SPORT. 1954-1957 <b>**IMPORT**</b>

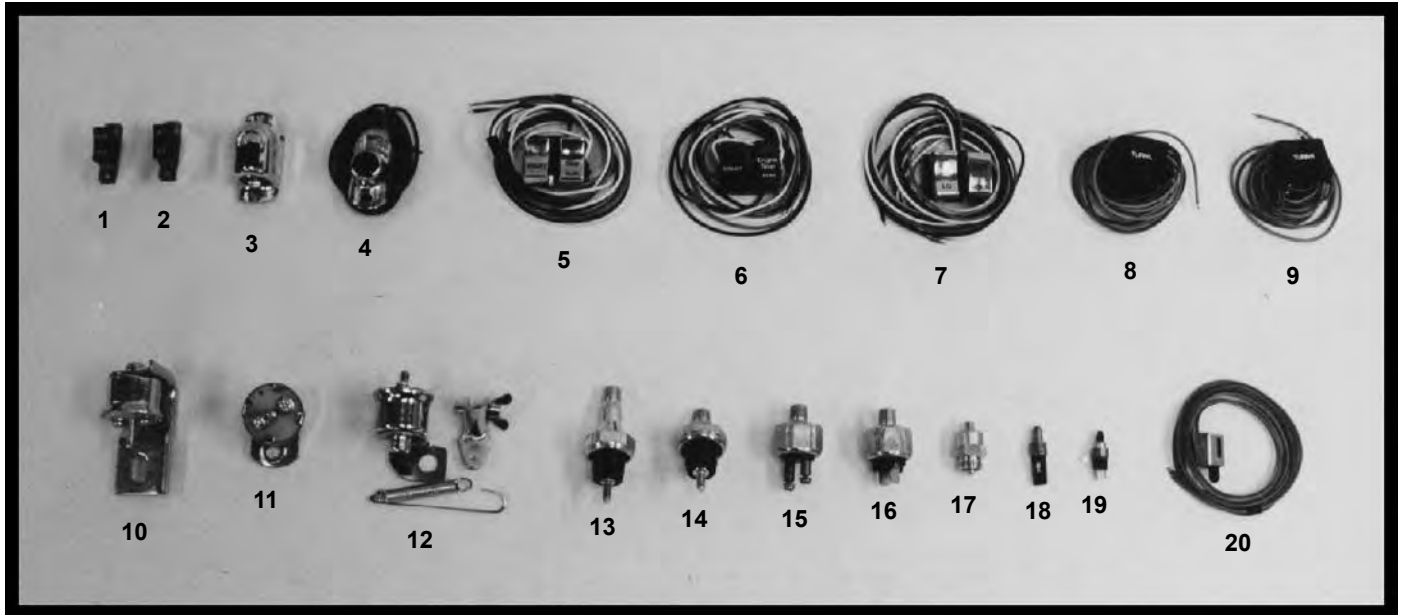
# **\*\*EASTERN MOTORCYCLE PARTS\*\***

**\*\*SWITCHES\*\***

**\*\*ELECTRICAL\*\***

**\*\*AND\*\***

**\*\*MECHANICAL\*\***



<u>EASTERN NUMBER</u>	<u>REPLACES OEM</u>	<u>PICTURE #</u>	<u>DESCRIPTION</u>
A-10001	10001	pk-10	CLAMP, HANDLE BAR SWITCHES, BIG TWIN 1949-1984, SPORTSTER 1954-1973
A-26550-38A	26550-38A	each	OIL PRESSURE SWITCH, FORTY-FIVE 1938-1973, SIDE VALVE 1938-1948
A-26551-39A	26551-39A	each	OIL PRESSURE SWITCH, BIG TWIN 1939-1984
A-26552-72	26552-72	each	OIL PRESSURE SWITCH, BIG TWIN 1939-1984, SPORTSTER 1954-1976
A-26554-77	26554-77	14	OIL PRESSURE SWITCH, SPORTSTER 1977-1990
A-26561-84	26561-84	13	OIL PRESSURE SWITCH, BIG TWIN 1984-1998
A-26561-99	26561-99	each	OIL PRESSURE SWITCH, **2-CAM** BIG TWIN 1999-PRESENT
V-13-225	27709-06A	each	FUEL INJECTOR, BIG TWIN 2006-PRESENT <b>**EASTERN**</b>
A-33900-59	33900-59	17	SWITCH, NEUTRAL INDICATOR LIGHT, BIG TWIN 1959-1964 & L/1973-E/1979
A-33901-79	33901-79	each	SWITCH, NEUTRAL INDICATOR LIGHT, BIG TWIN L/1979-1983
A-33902-98	33902-98	each	SWITCH, NEUTRAL INDICATOR LIGHT, BIG TWIN 1998-2000
A-33904-00	33904-00	each	SWITCH, NEUTRAL INDICATOR LIGHT, BIG TWIN 2000-2008
A-68543-64A	68543-64A	each	FLASHER, (12-V) TURN SIGNALS <b>**SQUARE STYLE**</b> BIG TWIN 1965-1991, SP.-1965-'91
A-68543-64B	68543-64B	each	FLASHER, (12-V) TURN SIGNALS <b>**ROUND STYLE**</b> BIG TWIN 1965-1991, SP.-1965-'91
A-70124-75	70124-75	each	IGNITION SWITCH <b>**OEM STYLE**</b> BIG TWIN 1973-1977, SPORTSTER 1975-1977
A-71313-96	71501-93	each	IGNITION SWITCH, DIE CAST COVER <b>**CHROME**</b> BIG TWIN 1993-PRESENT
A-71425-77	71425-77	each	IGNITION SWITCH <b>**OEM STYLE**</b> BIG TWIN 1978-1985, SPORTSTER 1978-1995
A-71484-72A	71484-72A	19	TURN SIGNAL LIGHT SWITCH, <b>**MECHANICAL**</b> BIG TWIN 1972-1981, SPORT. 1973-'81
A-71500-36A	71500-36A	each	IGNITION SWITCH, <b>**CHROME**</b> BIG TWIN 1936-1972
A-71501-73	71501-73	each	IGNITION SWITCH, <b>**CHROME**</b> BIG TWIN 1973-1994
A-71507-65	71507-65	each	NEUTRAL INDICATOR LIGHT SWITCH, BIG TWIN 1965-1970
A-71507-71	71507-71	each	NEUTRAL INDICATOR LIGHT SWITCH, BIG TWIN 1971-E/1973
A-71534-72	71534-72	pk-10	BUTTON CAP, STARTER OR HORN (SHORT) BIG TWIN 1972-1981, SPORT. 1972-1981
A-71535-72	71535-72	pk-10	BUTTON CAP, TURN SIGNALS (LONG) BIG TWIN 1972-1981, SPORT. 1972-1981
A-71546-75B	71546-752	2	HEAD LIGHT HI-LOW SWITCH, <b>**ROCKER STYLE**</b> BIG TWIN 1972-1981, SP. 1972-1981
A-71547-75A	71547-75A	1	RUN-OFF SWITCH, <b>**ROCKER STYLE**</b> BIG TWIN 1972-1981, SPORTSTER 1972-1981

**\*\*CONTINUED NEXT PAGE\*\***

**\*5120 HILDA ROAD\* BLACKVILLE, S.C. 29817\* 803-284-3304\***

**\*Pg 303\***

# **\*\*EASTERN MOTORCYCLE PARTS\*\***

## **\*\*SWITCHES\*\***

### **\*\*ELECTRICAL\*\***

#### **\*\*AND\*\***

### **\*\*MECHANICAL\*\***

<u>EASTERN NUMBER</u>	<u>REPLACES OEM</u>	<u>PICTURE #</u>	<u>DESCRIPTION</u>
30-0256	71570-82 71598-92	8	LEFT TURN SIGNAL SWITCH, <b>**BLACK**</b> BIG TWIN 1982-1995, SPORTSTER 1982-1995
30-0258	71570-82 71598-92		LEFT TURN SIGNAL SWITCH, <b>**CHROME**</b> BIG TWIN 1982-1995, SPORTSTER 1982-1995
30-0292	71598-96		LEFT TURN SIGNAL SWITCH, <b>**BLACK**</b> BIG TWIN 1996-2008, SPORTSTER 1996-2008
30-0296	71598-96C		LEFT TURN SIGNAL SWITCH, <b>**CHROME**</b> BIG TWIN 1996-2008, SPORTSTER 1996-2008
30-0230	71571-82 71589-92	6	START & RUN-OFF SWITCH, <b>**BLACK**</b> BIG TWIN 1982-1995, SPORTSTER 1982-1995
30-0232	71571-82 71589-92	5	START & RUN-OFF SWITCH, <b>**CHROME**</b> BIG TWIN 1982-1995, SPORTSTER 1982-1995
30-0264	71589-96		START & RUN-OFF SWITCH, <b>**BLACK**</b> BIG TWIN 1996-2008., SPORTSTER 1996-2008.
30-0266	71589-96C		START & RUN-OFF SWITCH, <b>**CHROME**</b> BIG TWIN 1996-2008., SPORTSTER 1996-2008
30-0250	71573-82 71597-92		HORN & HI-LOW DIMMER SWITCH, <b>**BLACK**</b> BIG TWIN 1982-1995, SPORT. 1982-1995
30-0252	71573-82 71597-92	7	HORN & HI-LOW DIMMER SWITCH, <b>**CHROME**</b> BIG TWIN 1982-1995, SP. 1982-1995
30-0282	71597-96		HORN & HI-LOW DIMMER SWITCH, <b>**BLACK**</b> BIG TWIN 1996-2008, SPORT. 1996-2008
30-0286	71597-96C		HORN & HI-LOW DIMMER SWITCH, <b>**CHROME**</b> BIG TWIN 1996-PRES., SPORT. 1996-P.
30-0238	71574-82 71590-92	20	STOP LIGHT SWITCH, <b>**BLACK**</b> BIG TWIN 1982-1995, SPORTSTER 1982-1995
30-0270	71590-96		STOP LIGHT SWITCH, <b>**BLACK**</b> BIG TWIN 1996-2008, SPORTSTER 1996-2009
30-0242	71591-82 71591-92	9	RIGHT TURN SIGNAL SWITCH, <b>**BLACK**</b> BIG TWIN 1982-1995, SPORTSTER 1982-1995
30-0244	71591-82 71591-92		RIGHT TURN SIGNAL SWITCH, <b>**CHROME**</b> BIG TWIN 1982-1995, SPORT. 1982-1995
30-0274	71591-96		RIGHT TURN SIGNAL SWITCH, <b>**BLACK**</b> BIG TWIN 1996-2008, SPORTSTER 1996-2008
30-0278	71591-96C		RIGHT TURN SIGNAL SWITCH, <b>**CHROME**</b> BIG TWIN 1996-2008, SPORTSTER 1996-08
A-71800-26A	71800-26A	4	HORN OR STARTER, <b>**CHROME**</b> BIG TWIN 1936-1981, SPORTSTER 1954-1981
A-71840-29	71840-29	3	HEAD LIGHT HI-LOW DIMMER SWITCH, BIG TWIN 1936-1981, SPORTSTER 1954-1981
A-72001-69B	72001-69B	18	FRONT BRAKE MASTER CYLINDER SWITCH, *MECHANICAL* B/T 1972-'81, SP. 1973-'81
A-72002-51A	72002-51A	15	REAR BRAKE LIGHT SWITCH, <b>**HYDRAULIC**</b> BIG TWIN 1958-1978, F-F 1951-1973
A-72004-70	72004-70	11	BRAKE LIGHT SWITCH, <b>**MECHANICAL**</b> (CHROME) SPORTSTER 1967-1974
A-72004-75	72004-75	each	BRAKE LIGHT SWITCH, <b>**MECHANICAL**</b> (CHROME) SPORTSTER 1975-1976
A-72004-80	72004-80	12	BRAKE LIGHT SWITCH, <b>**MECHANICAL**</b> (CHROME) BIG TWIN 1939-1957
A-72005-73A	72005-73A	10	BRAKE LIGHT SWITCH, <b>**MECHANICAL**</b> (CHROME) BIG TWIN 1973-1977
A-72023-51	72023-51A	16	REAR STOP LIGHT SWITCH, BIG TWIN 1971-PRESENT, SPORTSTER 1979-PRESENT

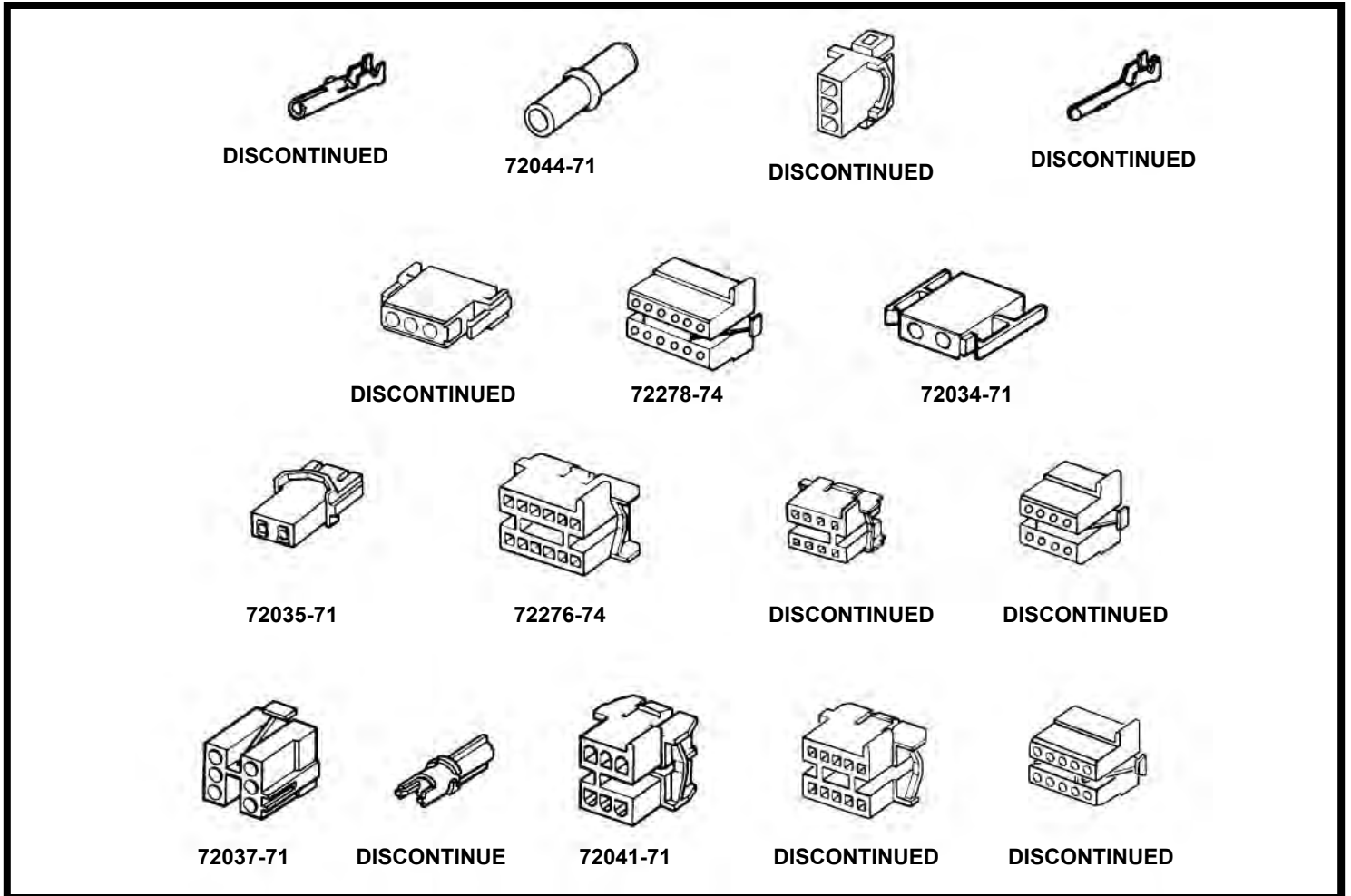
## **\*\*OXYGEN SENSORS\*\***

V-13-187	27683-07	each	OXYGEN SENSOR, EXHAUST (FRONT or REAR) BIG TWIN 2007-PRES., SPORT 2007-P.
V-13-188	27703-08	each	OXYGEN SENSOR, EXHAUST (FRONT or REAR) BIG TWIN 2007-PRES., SPORT 2007-P.
V-13-189	27719-07	each	OXYGEN SENSOR, EXHAUST (FRONT or REAR) BIG TWIN 2007-2009, SPORT 2007-P.



# **\*\*EASTERN MOTORCYCLE PARTS\*\***

## **\*\*ELECTRICAL\*\*** **\*\*CONNECTORS\*\***



<u>EASTERN NUMBER</u>	<u>REPLACES OEM</u>		<u>DESCRIPTION</u>
37-0600	70287-81	each	ELECTRICAL CONNECTOR <b>**DISCONTINUED**</b>
37-0605	70288-81	each	ELECTRICAL CONNECTOR <b>**DISCONTINUED**</b>
37-0610	70293-87	each	ELECTRICAL CONNECTOR <b>**DISCONTINUED**</b>
37-0615	70294-87	each	ELECTRICAL CONNECTOR <b>**DISCONTINUED**</b>
37-0620	72034-71	each	ELECTRICAL CONNECTOR <b>**2-PIN SOCKET INSULATOR**</b>
37-0625	72035-71	each	ELECTRICAL CONNECTOR <b>**2-PIN INSULATOR**</b>
37-0635	72037-71	each	ELECTRICAL CONNECTOR <b>**6-PIN SOCKET INSULATOR**</b>
37-0636	72038-71	pk-5	SOCKETS, WIRING HARNESS <b>**DISCONTINUED**</b>
37-0638	72039-71	pk-5	PINS, WIRING HARNESS <b>**DISCONTINUED**</b>
37-0645	72041-71	each	ELECTRICAL CONNECTOR <b>**6-PIN INSULATOR**</b>
37-0650	72043-71	each	ELECTRICAL CONNECTOR <b>**DISCONTINUED**</b>
37-0655	72044-71	each	ELECTRICAL CONNECTOR <b>**DISCONTINUED**</b>
37-0660	72276-74	each	ELECTRICAL CONNECTOR <b>**12-PIN INSULATOR**</b>
37-0665	72278-74	each	ELECTRICAL CONNECTOR <b>**12-PIN SOCKET INSULATOR**</b>

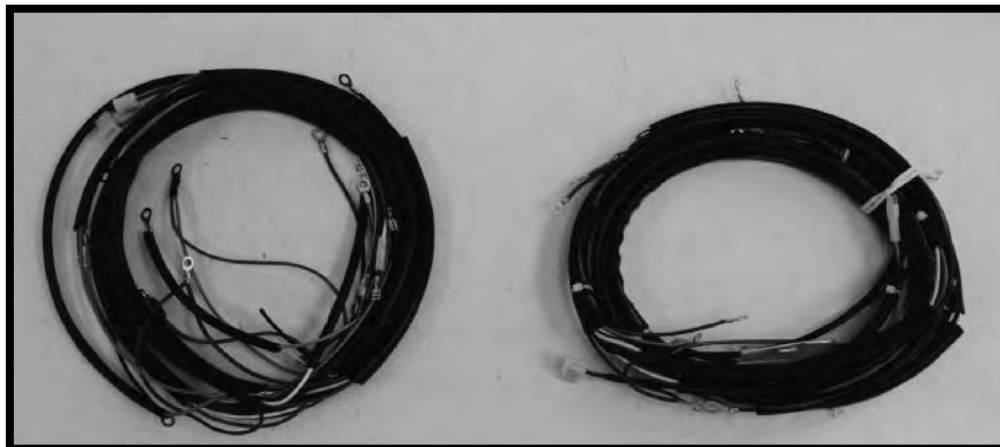




# **\*\*EASTERN MOTORCYCLE PARTS\*\***

## **\*\*WIRING HARNESSES\*\***

### **\*\*BIG TWIN/SPORTSTER/FORTY-FIVE\*\***



<b>EASTERN NUMBER</b>	<b>REPLACES OEM</b>	<b>DESCRIPTION</b>
Y-21-102	4735-16	WIRING HARNESS, **COMPLETE SET** (JD ELEC.) TWIN 1916-1928 <b>**MADE IN USA**</b>
Y-21-104	4735-29	WIRING HARNESS, **COMPLETE SET** (JD,DL.) TWIN 1929-ONLY <b>**MADE IN USA**</b>
Y-21-110	4735-30	WIRING HARNESS, **COMPLETE SET** (UL, VL) BIG TWIN 1930-1936 <b>**MADE IN USA**</b>
Y-21-112	4735-36	WIRING HARNESS, **COMPLETE SET** (WL, UL, EL) BIG TWIN 1936-1937 <b>MADE IN USA</b>
Y-21-115	4735-38A	WIRING HARNESS, **COMPLETE SET** (UL, EL, FL) BIG TWIN 1938-1946 <b>MADE IN USA</b>
Y-21-117	4735-47	WIRING HARNESS, **COMPLETE SET** (UL, EL, FL) BIG TWIN 1947-ONLY <b>MADE IN USA</b>
Y-21-118	4735-48	WIRING HARNESS, **COMPLETE SET** (UL, EL, FL) BIG TWIN 1948-ONLY <b>MADE IN USA</b>
Y-21-106	4736-42M	WIRING HARNESS, **COMPLETE SET** (WLA ONLY) FORTY-FIVE 1942-1945 <b>*USA*</b>
Y-21-140	69543-80	WIRING HARNESS, **MAIN SET** (FXS & FXB) BIG TWIN 1980-1984 <b>**MADE IN USA**</b>
Y-21-230	69545-82A	WIRING HARNESS, **MAIN SET** (FXR & FXRS) BIG TWIN 1982-E/1984 <b>**MADE IN USA**</b>
Y-21-232	69545-84	WIRING HARNESS, **MAIN SET** (FXR & FXRS) BIG TWIN L/1984-1985 <b>**MADE IN USA**</b>
Y-21-234	69551-85	WIRING HARNESS, **MAIN SET** (FXR & FXRS) BIG TWIN 1986-1988 <b>**MADE IN USA**</b>
Y-21-236	69551-89	WIRING HARNESS, **MAIN SET** (FXR & FXRS) BIG TWIN 1989-1990 <b>**MADE IN USA**</b>
Y-21-240	69551-91	WIRING HARNESS, **MAIN SET** (FXR & FXRS) BIG TWIN 1991-1994 <b>**MADE IN USA**</b>
Y-21-238	69555-89	WIRING HARNESS, **MAIN SET** (FXR) BIG TWIN 1989-1990 <b>**MADE IN USA**</b>
Y-21-242	69555-94	WIRING HARNESS, **MAIN SET** (FXR) BIG TWIN 1994-ONLY <b>**MADE IN USA**</b>
Y-21-196	70001-75	WIRING HARNESS, **COMPLETE SET** (XLCH) SPORTSTER 1975-1976 <b>*MADE IN USA*</b>
Y-21-198	70001-76	WIRING HARNESS, **COMPLETE SET** (XLCH) SPORTSTER 1977-ONLY <b>MADE IN USA</b>
Y-21-202	70001-78	WIRING HARNESS, **COMPLETE SET** (XLCH) SPORTSTER 1978-ONLY <b>MADE IN USA</b>
Y-21-204	70001-79	WIRING HARNESS, **COMPLETE SET** (XLCH) SPORTSTER 1979-ONLY <b>MADE IN USA</b>
Y-21-172	70006-75	WIRING HARNESS, **MAIN SET** (XLH) SPORTSTER 1975-1976 <b>**MADE IN USA**</b>
Y-21-174	70006-76	WIRING HARNESS, **MAIN SET** (XLH) SPORTSTER 1977-ONLY <b>**MADE IN USA**</b>
Y-21-176	70006-79	WIRING HARNESS, **MAIN SET** (XL & XLS) SPORTSTER 1978-1979 <b>**MADE IN USA**</b>
Y-21-178	70006-80	WIRING HARNESS, **MAIN SET** (XL & XLS) SPORTSTER 1980-ONLY <b>**MADE IN USA**</b>
Y-21-182	70006-81	WIRING HARNESS, **MAIN SET** (XL & XLS) SPORTSTER 1981-ONLY <b>**MADE IN USA**</b>
Y-21-184	70006-82	WIRING HARNESS, **MAIN SET** (XL & XLS) SPORTSTER 1982-E/1984 <b>**MADE IN USA**</b>
Y-21-186	70135-84	WIRING HARNESS, **MAIN SET** (XL & XLS) SPORTSTER 1984-1985 <b>**MADE IN USA**</b>
Y-21-187	70135-84	WIRING HARNESS, **COMPLETE SET** (XL & XLS) SPORTSTER 1984-1985 <b>**USA**</b>
Y-21-188	70135-86	WIRING HARNESS, **MAIN SET** (XL & XLS) SPORTSTER 1986-1990 <b>**MADE IN USA**</b>
Y-21-189	70135-86	WIRING HARNESS, **COMPLETE SET** (XL & XLS) SPORTSTER 1986-1990 <b>**USA**</b>
Y-21-205	70135-91	WIRING HARNESS, **MAIN SET** (XLH) SPORTSTER 1991-ONLY <b>**MADE IN USA**</b>
Y-21-206	70135-91	WIRING HARNESS, **COMPLETE SET** (XLH) SPORTSTER 1991-ONLY <b>**USA**</b>
Y-21-207	70135-92	WIRING HARNESS, **MAIN SET** (XLH) SPORTSTER 1992-1993 <b>**MADE IN USA**</b>
Y-21-208	70135-92	WIRING HARNESS, **COMPLETE SET** (XLH) SPORTSTER 1992-1993 <b>**USA**</b>
Y-21-166	70151-70	WIRING HARNESS, **MAIN SET** (XLH) SPORTSTER 1970-1972 <b>**MADE IN USA**</b>
Y-21-168	70151-73	WIRING HARNESS, **MAIN SET** (XLH) SPORTSTER 1973-1974 <b>**MADE IN USA**</b>

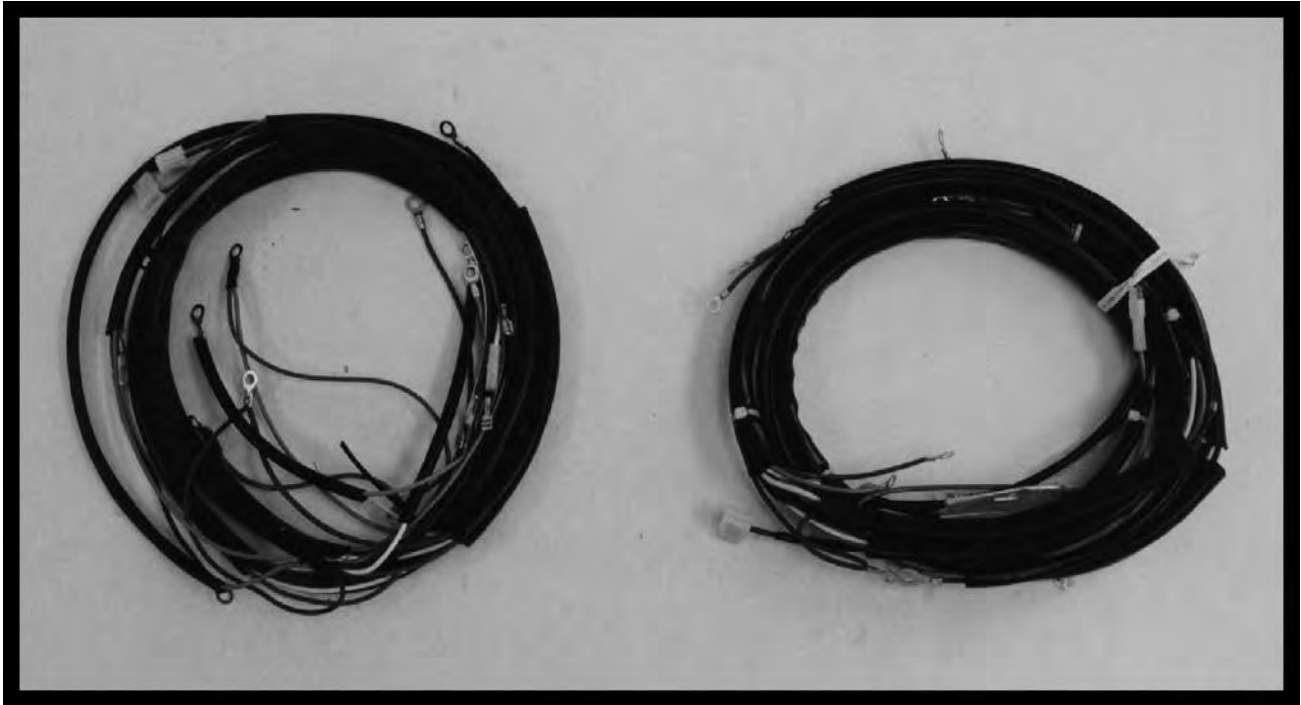
**\*\*CONTINUED NEXT PAGE\*\***

**\*5120 HILDA ROAD\* BLACKVILLE, S.C. 29817\* 803-284-3304\***

# **\*\*EASTERN MOTORCYCLE PARTS\*\***

## **\*\*WIRING HARNESSES\*\***

### **\*\*BIG TWIN/SPORTSTER/FORTY-FIVE\*\***



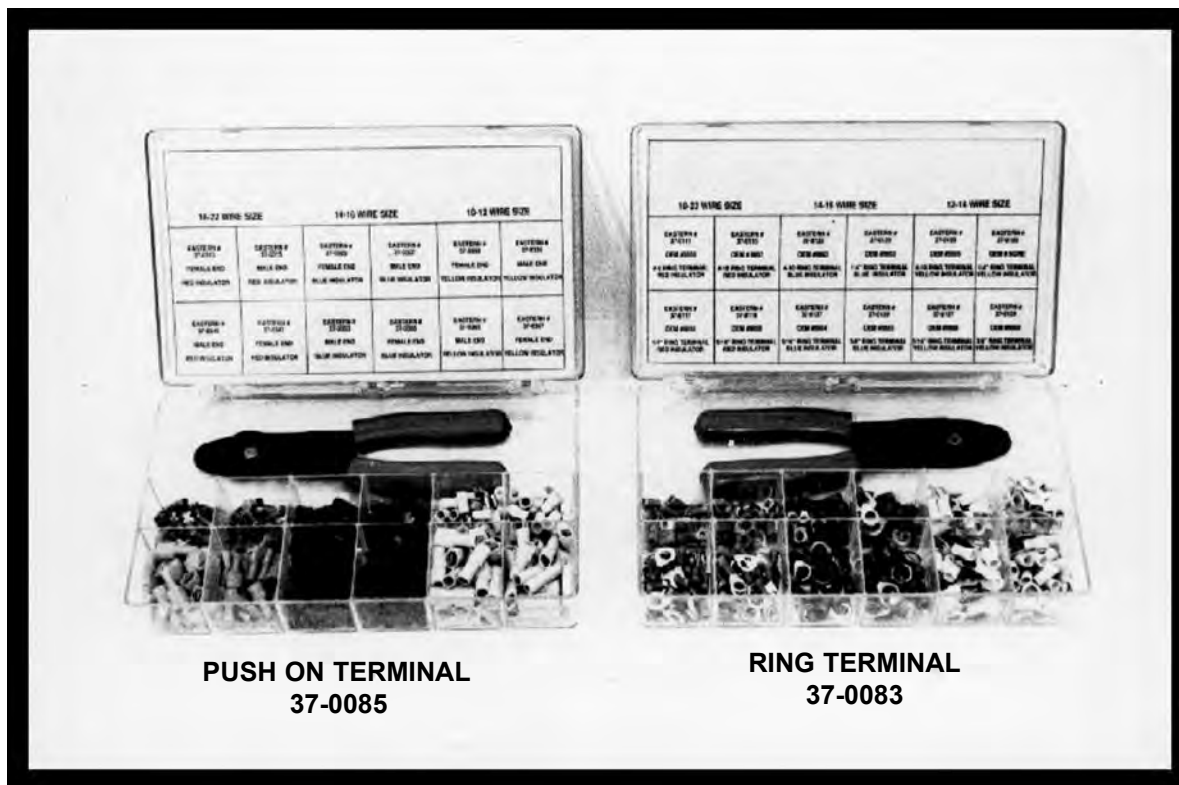
<b><u>EASTERN NUMBER</u></b>	<b><u>REPLACES OEM</u></b>	<b><u>DESCRIPTION</u></b>
Y-21-190	70153-70	WIRING HARNESS, **COMPLETE SET** (XLCH) SPORTSTER 1970-E/1971 *USA*
Y-21-192	70153-71	WIRING HARNESS, **COMPLETE SET** (XLCH) SPORTSTER L/1971-1972 *USA*
Y-21-194	70153-73	WIRING HARNESS, **COMPLETE SET** (XLCH) SPORTSTER 1973-1974 *MADE IN USA*
Y-21-141	70214-80A	WIRING HARNESS, **MAIN SET** (FXWG) BIG TWIN 1980-1985 **MADE IN USA**
Y-21-142	70216-87A	WIRING HARNESS, **MAIN SET** (FXST & FLST) BIG TWIN 1987-1988 **MADE IN USA**
Y-21-143	70216-89	WIRING HARNESS, **MAIN SET** (FXST) BIG TWIN 1989-1990 **MADE IN USA**
Y-21-144	70216-91A	WIRING HARNESS, **MAIN SET** (FXST) BIG TWIN 1991-1992 **MADE IN USA**
Y-21-145	70216-93	WIRING HARNESS, **MAIN SET** (FXST) BIG TWIN 1993-1996 **MADE IN USA**
Y-21-147	70216-96	WIRING HARNESS, **MAIN SET** (FXST/FLST) BIG TWIN 1996-1997 **MADE IN USA**
Y-21-148	70216-98	WIRING HARNESS, **MAIN SET** (FXST/FLST) BIG TWIN 1998-1999 **MADE IN USA**
Y-21-150	70320-56	WIRING HARNESS, **COMPLETE SET** (K & XL) SPORTSTER 1952-1958 MADE IN USA
Y-21-225	70320-58	WIRING HARNESS, **COMPLETE SET** (XLCH) SPORTSTER 1958-1964 MADE IN USA
Y-21-152	70320-59	WIRING HARNESS, **COMPLETE SET** (XLH & XLCH) SPORTSTER 1959-1964 *USA*
Y-21-227	70320-64	WIRING HARNESS, **COMPLETE SET** (XLCH) MAGNETO, SPORTSTER 1965-1969
Y-21-154	70320-65	WIRING HARNESS, **COMPLETE SET** (XLH & XLCH) SPORTSTER 1965-1966 USA
Y-21-158	70320-67	WIRING HARNESS, **COMPLETE SET** (XLH) SPORTSTER 1967-ONLY **MADE IN USA**
Y-21-164	70320-68	WIRING HARNESS, **COMPLETE SET** (XLH) SPORTSTER 1968-1969 **MADE IN USA**
Y-21-130	70320-70	WIRING HARNESS, **MAIN SET** (FL, FLH) BIG TWIN 1970-1972 **MADE IN USA**
Y-21-132	70320-73A	WIRING HARNESS, **MAIN SET** (FL, FLH) BIG TWIN 1973-1977 **MADE IN USA**
Y-21-133	70320-78	WIRING HARNESS, **MAIN SET** (FLH) BIG TWIN 1978-1979 **MADE IN USA**
Y-21-134	70320-80	WIRING HARNESS, **MAIN SET** (FLH) BIG TWIN 1980-1984 **MADE IN USA**
Y-21-120	70321-48	WIRING HARNESS, **COMPLETE SET** (WL, UL, FL, FLH) BIG TWIN 1948-1957 *USA*
Y-21-125	70321-58	WIRING HARNESS, **COMPLETE SET** (FL, FLH) BIG TWIN 1958-1964 **MADE IN USA**
Y-21-127	70321-65	WIRING HARNESS, **COMPLETE SET** (FLH) BIG TWIN 1965-1969 **MADE IN USA**
Y-21-135	70326-71	WIRING HARNESS, **MAIN SET** (F.X.) BIG TWIN 1970-1972 **MADE IN USA**
Y-21-137	70326-73A	WIRING HARNESS, **MAIN SET** (F.X.) BIG TWIN 1973-1974 **MADE IN USA**
Y-21-146	70326-75	WIRING HARNESS, **MAIN SET** (F.X.) BIG TWIN 1975-1977 **MADE IN USA**
Y-21-138	70343-78	WIRING HARNESS, **MAIN SET** (FXE) BIG TWIN 1978-1979 **MADE IN USA**
Y-21-139	70353-78	WIRING HARNESS, **MAIN SET** (FXS) BIG TWIN 1978-1979 **MADE IN USA**

# **\*\*EASTERN MOTORCYCLE PARTS\*\***

## **\*\*WIRE TERMINALS\*\***

### **\*\*RING/PUSH-ON/SPADE & HOOK\*\***

#### **\*\*MASTER LISTING\*\***



**\*\*ALL WIRE TERMINAL KITS INCLUDE 25 OF EACH SIZE\*\***

**\*\*ALL INDIVIDUAL WIRE TERMINALS ARE SOLD IN PACKS OF 50\*\***

<b>EASTERN NUMBER</b>	<b>REPLACES OEM</b>	<b>DESCRIPTION</b>
37-0083		RING TERMINAL KIT, <b>**WITH CRIMPING TOOL**</b> (12-SIZES, 25 OF EACH SIZE) <b>(KIT INCLUDES:)</b> # 37-0111, 37-0115, 37-0117, 37-0119, 37-0133, 37-0135, 37-0137, 37-0139, 37-0153, 37-0155, 37-0157, 37-0159
37-0085		PUSH-ON TERMINAL KIT, <b>**WITH CRIMPING TOOL**</b> (12-SIZES) <b>(25) OF EACH SIZE # 37-0313, 37-0315, 37-0325, 37-0327, 37-0333, 37-0335,</b> <b>(10) OF EACH SIZE # 37-0345, 37-0347, 37-0353, 37-0355, 37-0365, 37-0367</b>
37-0087		SPADE TERMINAL KIT, <b>**WITH CRIMPING TOOL**</b> (9-SIZES, 25 OF EACH SIZE) <b>(KIT INCLUDES:)</b> # 37-0410, 37-0412, 37-0414, 37-0422, 37-0424 37-0426, 37-0434, 37-0436, 37-0438
37-0089		HOOK TERMINAL KIT, <b>**WITH CRIMPING TOOL**</b> (9-SIZES, 25 OF EACH SIZE) <b>(KIT INCLUDES:)</b> # 37-0452, 37-0454, 37-0456, 37-0464, 37-0466 37-0468, 37-0472, 37-0474, 37-0476
37-0111	9856	pk-50 RING TERMINAL, (#-6 STUD), <b>**18 TO 22 WIRE**</b> (VINYL INSULATED, RED)
37-0113		pk-50 RING TERMINAL, (#-8 STUD), <b>**18 TO 22 WIRE**</b> (VINYL INSULATED, RED)
37-0115	9857	pk-50 RING TERMINAL, (#-10 STUD) <b>**18 TO 22 WIRE**</b> (VINYL INSULATED, RED)
37-0117	9858	pk-50 RING TERMINAL, (1/4" STUD) <b>**18 TO 22 WIRE**</b> (VINYL INSULATED, RED)
37-0119	9859	pk-50 RING TERMINAL, (5/16" STUD), <b>**18 TO 22 WIRE**</b> (VINYL INSULATED, RED)
37-0133	9862	pk-50 RING TERMINAL, (#-10 STUD), <b>**14 TO 16 WIRE**</b> (VINYL INSULATED, BLUE)

**\*\*CONTINUED NEXT PAGE\*\***

# **\*\*EASTERN MOTORCYCLE PARTS\*\***

## **\*\*WIRE TERMINALS\*\***

### **\*\*RING/PUSH-ON/SPADE & HOOK\*\***

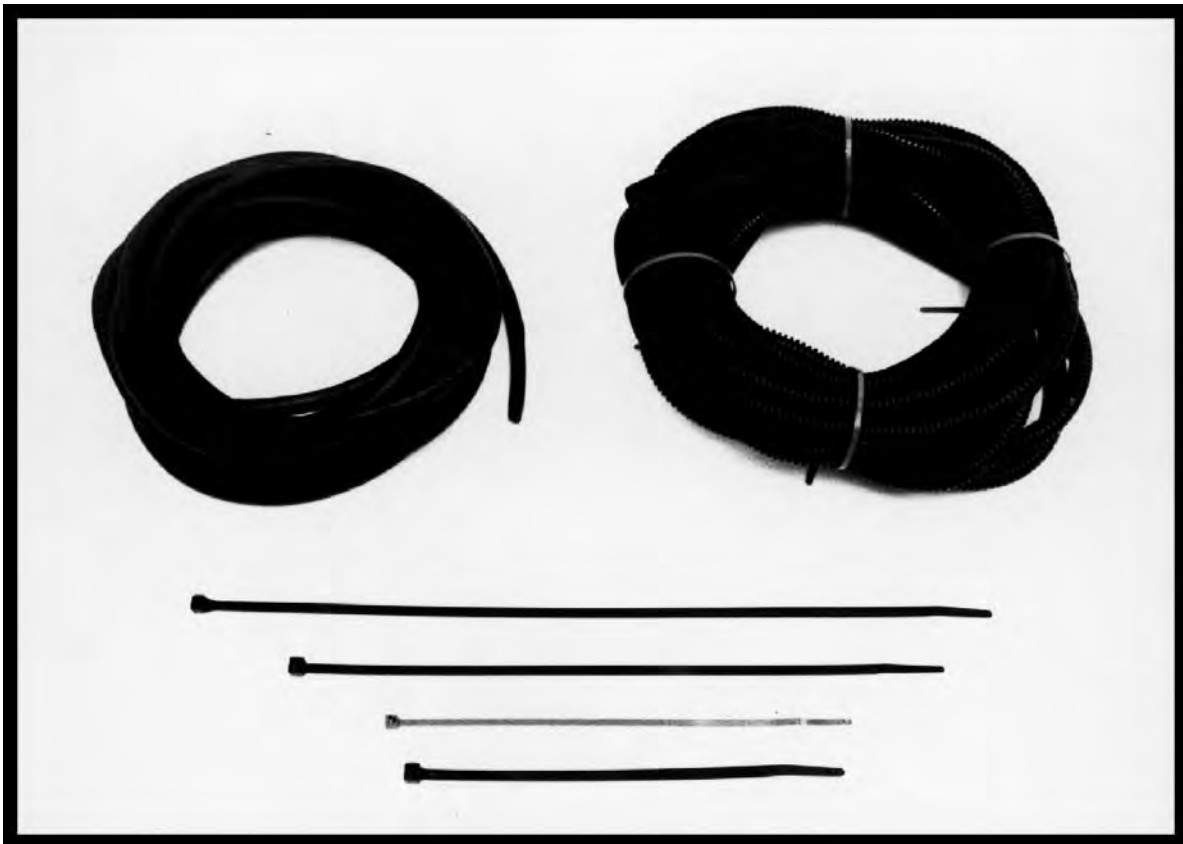
#### **\*\*MASTER LISTING\*\***

<b><u>EASTERN NUMBER</u></b>	<b><u>REPLACES OEM</u></b>	<b><u>DESCRIPTION</u></b>
37-0135	9863	pk-50 RING TERMINAL, (1/4" STUD), **14 TO 16 WIRE** (VINYL INSULATED, BLUE)
37-0137	9864	pk-50 RING TERMINAL, (5/16" STUD),**14 TO 16 WIRE** (VINYL INSULATED, BLUE)
37-0139	9865	pk-50 RING TERMINAL, (3/8" STUD), **14 TO 16 WIRE** (VINYL INSULATED, BLUE)
37-0153	9866	pk-50 RING TERMINAL, (#-10 STUD),**10 TO 12 WIRE** (VINYL INSULATED,YELLOW)
37-0155		pk-50 RING TERMINAL, (1/4" STUD), **10 TO 12 WIRE** (VINYL INSULATED,YELLOW)
37-0157	9868	pk-50 RING TERMINAL, (5/16" STUD)**10 TO 12 WIRE** (VINYL INSULATED,YELLOW)
37-0159	9869	pk-50 RING TERMINAL, (1/8" STUD), **10 TO 12 WIRE** (VINYL INSULATED,YELLOW)
37-0313		pk-50 PUSH-ON TERMINAL, (.250 WIDE, FEMALE), **18 TO 22 WIRE** (VINYL , RED)
37-0315		pk-50 PUSH-ON TERMINAL, (.250 WIDE, MALE), **18 TO 22 WIRE** (VINYL , RED)
37-0325		pk-50 PUSH-ON TERMINAL, (.250 WIDE, FEMALE), **14 TO 16 WIRE** (VINYL , BLUE)
37-0327		pk-50 PUSH-ON TERMINAL, (.250 WIDE, MALE), **14 TO 16 WIRE** (VINYL , BLUE)
37-0333		pk-50 PUSH-ON TERMINAL, (.250 WIDE, FEMALE), **10 TO 12 WIRE** (VINYL ,YELLOW)
37-0335		pk-50 PUSH-ON TERMINAL, (.250 WIDE, MALE), **10 TO 12 WIRE** (VINYL , YELLOW)
37-0345		*pk-10* PUSH-ON TERMINAL, (.250 WIDE, MALE), **18 TO 22 WIRE** (FULLY INSULATED)
37-0347		*pk-10* PUSH-ON TERMINAL, (.250 WIDE, FEMALE), **18 TO 22 WIRE** (FULLY INSULATED)
37-0353	9897	*pk-10* PUSH-ON TERMINAL, (.250 WIDE, MALE), **14 TO 16 WIRE** (FULLY INSULATED)
37-0355	9907	*pk-10* PUSH-ON TERMINAL, (.250 WIDE, FEMALE), **14 TO 16 WIRE** (FULLY INSULATED)
37-0365		*pk-10* PUSH-ON TERMINAL, (.250 WIDE, MALE), **10 TO 12 WIRE** (FULLY INSULATED)
37-0367		*pk-10* PUSH-ON TERMINAL, (.250 WIDE, FEMALE), **10 TO 12 WIRE** (FULLY INSULATED)
37-0410		pk-50 SPADE TERMINAL, (#-6 STUD), **18 TO 22 WIRE** (VINYL INSULATED, RED)
37-0412		pk-50 SPADE TERMINAL, (#-8 STUD), **18 TO 22 WIRE** (VINYL INSULATED, RED)
37-0414		pk-50 SPADE TERMINAL, (#-10 STUD)**18 TO 22 WIRE** (VINYL INSULATED, RED)
37-0422		pk-50 SPADE TERMINAL, (#-6 STUD), **14 TO 16 WIRE** (VINYL INSULATED, BLUE)
37-0424		pk-50 SPADE TERMINAL, (#-8 STUD), **14 TO 16 WIRE** (VINYL INSULATED, BLUE)
37-0426		pk-50 SPADE TERMINAL, (#-10 STUD)**14 TO 16 WIRE** (VINYL INSULATED, BLUE)
37-0434		pk-50 SPADE TERMINAL, (#-6 STUD), **10 TO 12 WIRE** (VINYL INSULATED, YELLOW)
37-0436		pk-50 SPADE TERMINAL, (#-8 STUD), **10 TO 12 WIRE** (VINYL INSULATED, YELLOW)
37-0438		pk-50 SPADE TERMINAL, (#-10 STUD)**10 TO 12 WIRE** (VINYL INSULATED, YELLOW)
37-0452		pk-50 HOOK TERMINAL, (#-6 STUD) **18 TO 22 WIRE** (VINYL INSULATED, RED)
37-0454		pk-50 HOOK TERMINAL, (#-8 STUD), **18 TO 22 WIRE** (VINYL INSULATED, RED)
37-0456		pk-50 HOOK TERMINAL, (#-10 STUD), **18 TO 22 WIRE** (VINYL INSULATED, RED)
37-0464		pk-50 HOOK TERMINAL, (#-6 STUD), **14 TO 16 WIRE** (VINYL INSULATED, BLUE)
37-0466		pk-50 HOOK TERMINAL, (#-8 STUD), **14 TO 16 WIRE** (VINYL INSULATED, BLUE)
37-0468		pk-50 HOOK TERMINAL, (#-10 STUD), **14 TO 16 WIRE** (VINYL INSULATED, BLUE)
37-0472		pk-50 HOOK TERMINAL, (#-6 STUD), **10 TO 12 WIRE** (VINYL INSULATED, YELLOW)
37-0474		pk-50 HOOK TERMINAL, (#-8 STUD), **10 TO 12 WIRE** (VINYL INSULATED, YELLOW)
37-0476		pk-50 HOOK TERMINAL, (#-10 STUD), **10 TO 12 WIRE** (VINYL INSULATED, YELLOW)

# **\*\*EASTERN MOTORCYCLE PARTS\*\***

## **\*\*WIRE LOOM\*\***

## **\*\*AND WIRE TIES\*\***



**\*\*ALL WIRE LOOM IS SOLD IN 25 FOOT LENGTHS\*\***

**\*\*ALL WIRE TIES ARE SOLD IN PACKS OF 25\*\***

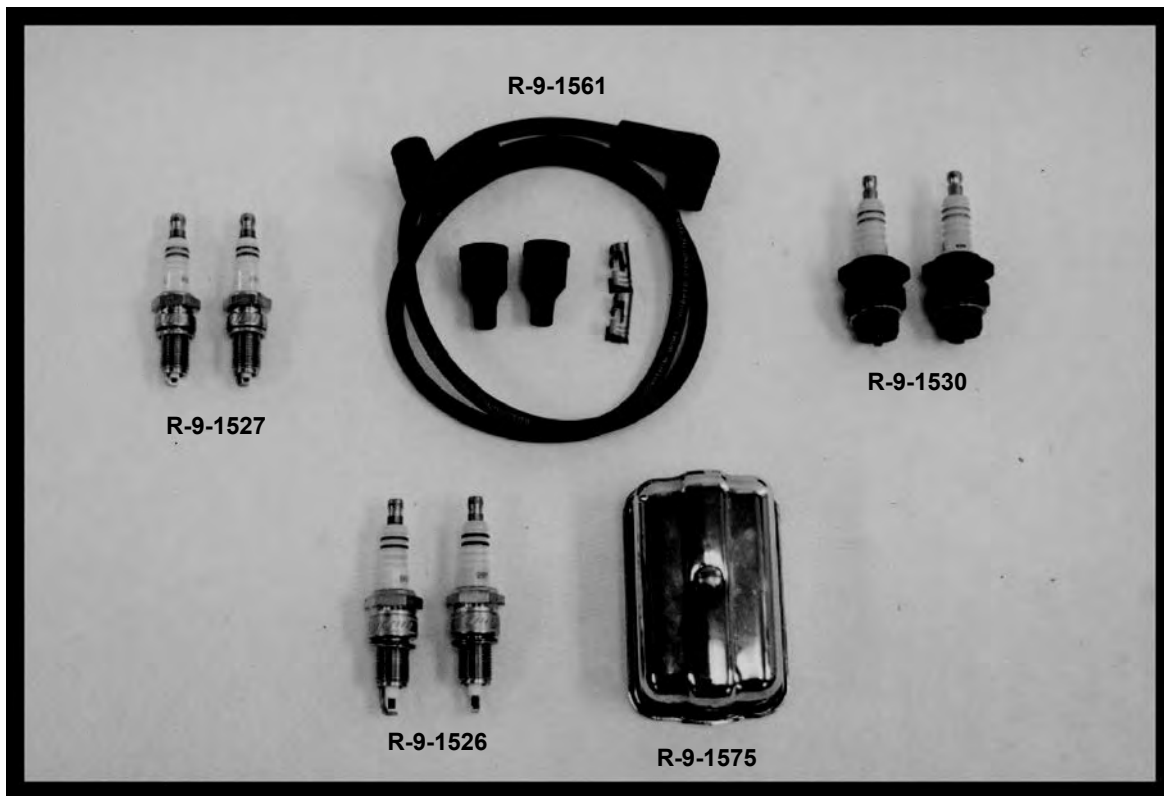
<u>EASTERN NUMBER</u>	<u>REPLACES OEM</u>	<u>DESCRIPTION</u>
37-0805		WIRE TIES, **BLACK** NYLON 7-1/4" LONG X .190 WIDE
37-0807		WIRE TIES, **BLACK** NYLON 11-1/4" LONG X .190 WIDE
37-0809		WIRE TIES, **BLACK** NYLON 14-1/4" LONG X .190 WIDE
37-0813		WIRE TIES, **RED** NYLON 7-3/4" LONG X .135 WIDE
37-0815		WIRE TIES, **BLUE** NYLON 7-3/4" LONG X .135 WIDE
37-0817		WIRE TIES, **YELLOW** NYLON 7-3/4" LONG X .135 WIDE
37-0819		WIRE TIES, **ORANGE** NYLON 7-3/4" LONG X .135 WIDE
37-0821		WIRE TIES, **GREEN** NYLON 7-3/4" LONG X .135 WIDE
37-0823		WIRE TIES, **PURPLE** NYLON 7-3/4" LONG X .135 WIDE
37-0825		WIRE TIES, **BROWN** NYLON 7-3/4" LONG X .135 WIDE
37-0827		WIRE TIES, **GRAY** NYLON 7-3/4" LONG X .135 WIDE
37-0905	70527-45	FABRIC LOOM, 3/16" I.D.(BLACK)**WOVEN COTTON**
37-0907	70528-45	FABRIC LOOM, 1/4" I.D.(BLACK)**WOVEN COTTON**
37-0909	70529-45	FABRIC LOOM, 5/16" I.D.(BLACK)**WOVEN COTTON**
37-0911	70530-45	FABRIC LOOM, 3/8" I.D.(BLACK)**WOVEN COTTON**
37-0915	70532-45	FABRIC LOOM, 1/2" I.D.(BLACK)**WOVEN COTTON**
37-0917		FABRIC LOOM, 5/8" I.D.(BLACK)**WOVEN COTTON**
37-0931		POLYETHYLENE LOOM, 1/4" I.D. (BLACK) **FLEX GUARD**
37-0935		POLYETHYLENE LOOM, 3/8" I.D. (BLACK) **FLEX GUARD**

# **\*\*EASTERN MOTORCYCLE PARTS\*\***

## **\*\*SPARK PLUGS\*\***

### **\*\*AND WIRES\*\***

### **\*\*BIG TWIN-SPORTSTER\*\***



#### **EASTERN NUMBER**

#### **REPLACES OEM**


#### **DESCRIPTION**

R-9-1560	31981-65B pair	PLUG WIRE SET, (YELLOW) **STD IGNITION** BIG TWIN 1941-1978, SPORT. 1954-1978
R-9-1561	31981-65B pair	PLUG WIRE SET, (BLACK) **STD IGNITION** BIG TWIN 1941-1978, SPORT. 1954-1978
R-9-1564	31986-65C pair	PLUG WIRE SET, (YELLOW) **ELEC. IGNITION** BIG TWIN 1978-1996, SPORT. 1978-2003
R-9-1565	31986-65C pair	PLUG WIRE SET, (BLACK) **ELEC. IGNITION** BIG TWIN 1978-1996, SPORT. 1978-2003
R-9-1568	31986-65C pair	PLUG WIRE SET, (BLUE) **ELEC. IGNITION** BIG TWIN 1978-PRES., SPORT. 1978-P.
R-9-1532	32301-60 pair	SPARK PLUGS, **ACCEL U-GROOVE** (1200 C/C) B/T 1948-1974, FORTY-FIVE 1953-1973
R-9-1536	32309-69 pair	SPARK PLUGS, **ACCEL U-GROOVE** (1200 & 1340 C/C) BIG TWIN 1975-1981
R-9-1525	32311-83 pair	SPARK PLUGS, **ACCEL U-GROOVE** (1200 & 1340 C/C) BIG TWIN 1975-1990
R-9-1535	32311-83 pair	SPARK PLUGS, **ACCEL U-GROOVE** (XR 1000 C/C) SPORTSTER 1983-1985
R-9-1526	32312-78A pair	SPARK PLUGS, **ACCEL U-GROOVE** (1340 C/C) BIG TWIN 1982-1984
R-9-1527	32317-86 pair	SPARK PLUGS, **ACCEL U-GROOVE** (883, 1100, & 1200 C/C) SPORTSTER 1986-2005
R-9-1530	32370-26 pair	SPARK PLUGS, **ACCEL U-GROOVE** (18MM) BIG TWIN 1940-'47, FORTY-FIVE 1930-'52
R-9-1575	91775-51 each	SPARK PLUG HOLDER, BIG TWIN 1936-PRESENT, SPORTSTER 1952-PRESENT

### **\*\*OXYGEN SENSORS\*\***

V-13-187	27683-07 each	OXYGEN SENSOR, EXHAUST (FRONT or REAR) BIG TWIN 2007-PRES., SPORT 2007-P.
V-13-188	27703-08 each	OXYGEN SENSOR, EXHAUST (FRONT or REAR) BIG TWIN 2007-PRES., SPORT 2007-P.
V-13-189	27719-07 each	OXYGEN SENSOR, EXHAUST (FRONT or REAR) BIG TWIN 2007-2009, SPORT 2007-P.

**\*\*LIGHTING\*\***

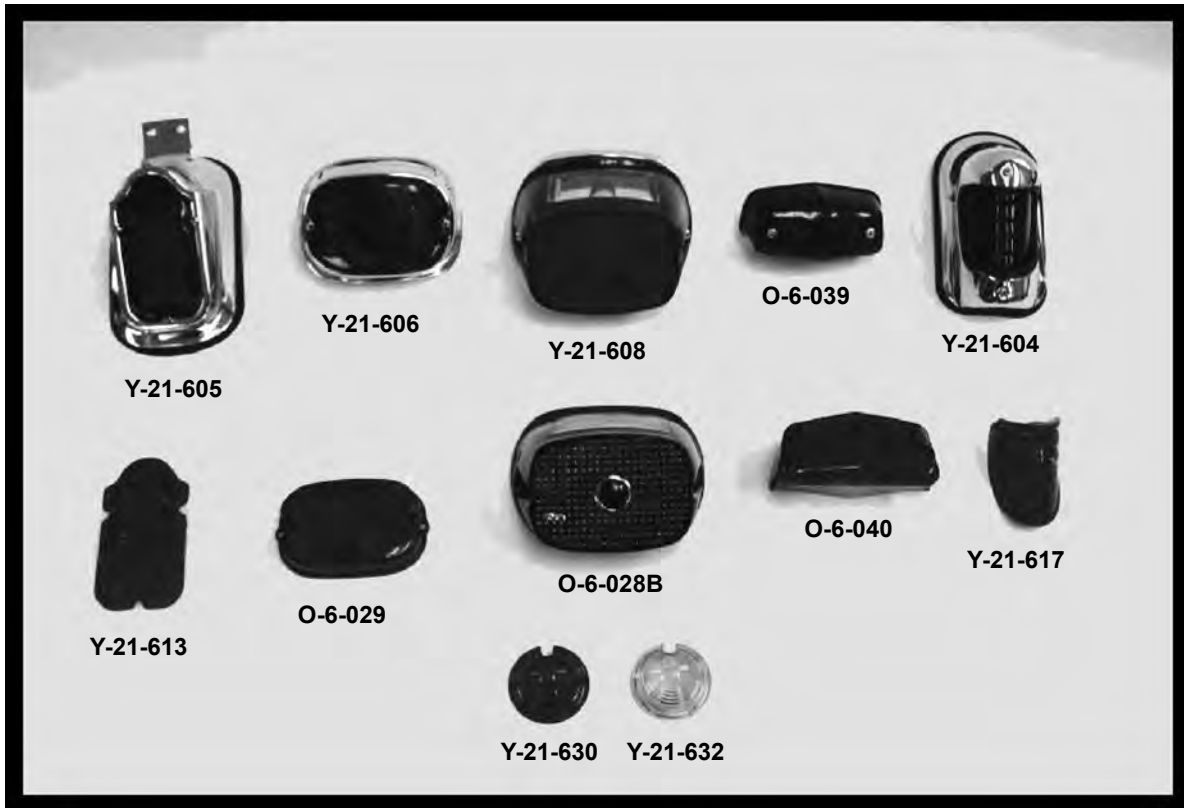
- 
- \* HEADLIGHTS**
  - \* HEADLIGHT VISORS**
  - \* SEAL BEAMS (6 & 12 VOLT)**
  - \* SWITCHES: HEADLIGHT, HORN, TURN, SIGNALS, ON-OFF**
  - \* TAIL LIGHTS**
  - \* TAIL LIGHT LENSES**
  - \* TAIL LIGHT VISORS**



# **\*\*EASTERN MOTORCYCLE PARTS\*\***

## **\*\*TAIL LIGHTS\*\***

### **\*\*LENSES, VISORS AND GASKETS\*\***



#### **EASTERN NUMBER**

#### **REPLACES OEM**

#### **DESCRIPTION**

<b><u>EASTERN NUMBER</u></b>	<b><u>REPLACES OEM</u></b>		<b><u>DESCRIPTION</u></b>
Y-21-617	5059-39	each	LENS, <b>**RED**</b> FRONT BEEHIVE LIGHT, BIG TWIN 1939-1946
Y-21-618	5063-39	each	LENS, <b>**CLEAR**</b> TOP BEEHIVE LIGHT, BIG TWIN 1939-1946
Y-21-834	67785-78T	pair	VISORS, (1-3/4" ) BULLET LIGHTS, <b>**CHROME**</b> BIG TWIN-SPORTSTER
Y-21-602	59140-85T	each	FENDER LIGHT, WITH WHITE LENS <b>**INDIAN HEAD**</b> BIG TWIN 1939-1957
	68450-34		
Y-21-604	68002-39		COMPLETE TAIL LIGHT, <b>**BEEHIVE**</b> BIG TWIN 1939-1946
Y-21-605	68003-47		COMPLETE TAIL LIGHT, <b>**TOMBSTONE**</b> BIG TWIN 1948-1954
Y-21-837	68006-83T	each	VISOR, TAIL LIGHT, <b>**CHROME**</b> BIG TWIN 1973-PRESENT, SPORTSTER 1973-PRESENT
Y-21-608	68008-73A		COMPLETE TAIL LIGHT, <b>**CHROME**</b> BIG TWIN 1973-1999, SPORTSTER 1973-1994
Y-21-606	68010-64B		COMPLETE TAIL LIGHT, <b>**CHROME**</b> BIG TWIN 1955-1972, SPORTSTER 1958-1972
Y-21-838	68012-88T	each	VISOR, TAIL LIGHT, <b>**CHROME**</b> BIG TWIN 1980-PRESENT
O-6-028	68034-77	each	TAIL LIGHT LENS, <b>**RED**</b> BIG TWIN 1973-1986, SPORTSTER 1973-1990
O-6-028B		each	TAIL LIGHT LENS, <b>**RED WITH BLUE DOT**</b> BIG TWIN 1973-1986, SPORT 1973-1990
Y-21-613	68090-47	each	LENS, <b>**RED**</b> FRONT TOMBSTONE LIGHT, BIG TWIN 1940-1954
O-6-029	68090-69	each	TAIL LIGHT LENS, <b>**RED**</b> BIG TWIN 1955-1972, SPORTSTER 1956-1972
Y-21-614	68093-47	each	LENS, <b>**CLEAR**</b> TOP TOMBSTONE LIGHT, BIG TWIN 1940-1954
O-6-029A	68122-55	pk-10	GASKETS, TAIL LIGHT LENS, BIG TWIN 1955-1972, SPORTSTER 1956-1972
48-0199	68123-73	pk-10	GASKETS, TAIL LIGHT HOUSING <b>**JAMES**</b> , BIG TWIN 1973-1999, SPORT. 1973-1998
L-3-1027	68123-73	pk-10	GASKETS, TAIL LIGHT HOUSING TO FENDER, BIG TWIN 1973-1999, SPORT. 1973-1994
Y-21-620	68515-78	each	MARKER LIGHTS WITH RED LENS, <b>**PLAIN STYLE**</b> BIG TWIN 1936-1996, SP. 1952-2001
	68566-50		
Y-21-632	68571-50	each	LENS, <b>**AMBER**</b> MARKER LIGHTS, BIG TWIN-SPORTSTER
Y-21-630	68572-50	each	LENS, <b>**RED**</b> MARKER LIGHTS, BIG TWIN-SPORTSTER
O-6-039			TAIL LIGHT, (12 VOLT) <b>**UNIVERSAL**</b> BIG TWIN-SPORTSTER
Y-21-622	68566-50B	each	MARKER LIGHTS WITH RED LENS, <b>**WING STYLE**</b> BIG TWIN 1936-PRES., SP. 1952-P.
O-6-040		each	TAIL LIGHT LENS, <b>**RED**</b> UNIVERSAL, BIG TWIN-SPORTSTER

**\*5120 HILDA ROAD\* BLACKVILLE, S.C. 29817\* 803-284-3304\***

**\*\*EASTERN MOTORCYCLE PARTS\*\***

**\*\*HEADLIGHTS\*\***

**\*\*VISORS AND MOUNTING BRACKETS\*\***

**\*\*BIG TWIN-SPORTSTER\*\***



**\*\*CONTINUED NEXT PAGE\*\***

**\*5120 HILDA ROAD\* BLACKVILLE, S.C. 29817\* 803-284-3304\***

**\*Pg 319\***

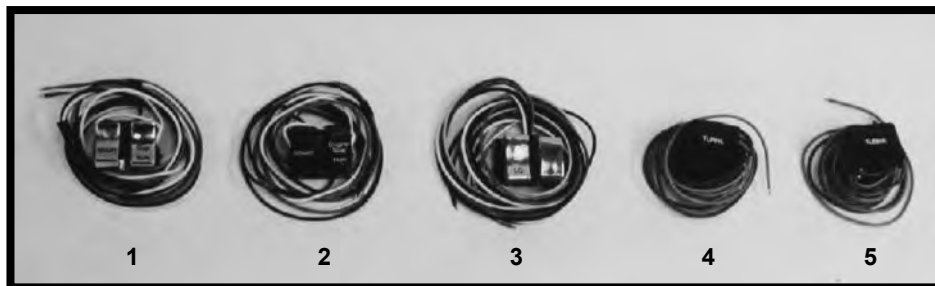
# **\*\*EASTERN MOTORCYCLE PARTS\*\***

## **\*\*HEADLIGHTS\*\***

### **\*\*VISORS AND MOUNTING BRACKETS\*\***

### **\*\*BIG TWIN-SPORTSTER\*\***

<u>EASTERN NUMBER</u>	<u>REPLACES OEM</u>		<u>DESCRIPTION</u>
Y-21-601	59140-85T 68450-34	each	FRONT FENDER LIGHT <b>**AMBER LENS**</b> BIG TWIN 1939-1957
Y-21-602		each	FRONT FENDER LIGHT <b>**INDIAN HEAD**</b> (WHITE LENS) BIG TWIN 1939-1957
O-6-030		each	HEADLIGHT, (5-3/4" INCH) <b>**6 VOLT BOTTOM MOUNT**</b> BIG TWIN-SPORTSTER
O-6-032	67698-81A	each	HALOGEN SEAL BEAM, (5-3/4" INCH) <b>**12 VOLT**</b> BIG TWIN-SPORTSTER
O-6-034	67717-59	each	SEAL BEAM, (5-3/4" INCH) <b>**6 VOLT**</b> BIG TWIN-SPORTSTER
O-6-036	67717-64	each	SEAL BEAM, (7" INCH) <b>**12 VOLT**</b> BIG TWIN-SPORTSTER
O-6-035	67717-65A	each	SEAL BEAM, (5-3/4" INCH) <b>**12 VOLT**</b> BIG TWIN-SPORTSTER
Y-21-830	67752-77T	each	VISOR, (7" HEADLIGHT) <b>**CHROME**</b> BIG TWIN 1949-1959
K-2-871	67773-80A	each	HEADLIGHT BRACKET, <b>**CHROME**</b> BIG TWIN 1980-1986
Y-21-831	67783-78T	pair	VISORS, (5" SPOTLIGHT) <b>**CHROME**</b> BIG TWIN-SPORTSTER
Y-21-833	67784-78	pair	VISORS, TURN SIGNALS, (EARLY) <b>**CHROME**</b> BIG TWIN-SPORTSTER
Y-21-834	67785-78T	pair	VISORS, (1-3/4") <b>**BULLET LIGHTS**</b> BIG TWIN-SPORTSTER
Y-21-832	67786-86T	pair	VISORS, TURN SIGNALS, (LATE) <b>**CHROME**</b> BIG TWIN-SPORTSTER
K-2-877	67809-75	each	HEADLIGHT COVER AND MOUNTING BRACKET, <b>**CHROME**</b> B/T 1975-'86, SP. 1975-'86
K-2-878	67810-48A	each	HEADLIGHT MOUNTING BRACKET, <b>**CHROME**</b> BIG TWIN 1949-1959
K-2-412	67871-85T	each	HEADLIGHT VISOR, (WITHOUT HOLE) <b>**CHROME**</b> BIG TWIN 1971-PRES., SP. 1960-P.
K-2-413	67884-90T	each	HEADLIGHT VISOR, (WITH HOLE) <b>**CHROME**</b> BIG TWIN 1971-PRES., SP. 1960-P.
Y-21-475	67891-68	each	HI-BEAM LIGHT INDICATOR, BIG TWIN 1973-1985, SPORTSTER 1968-1973
A-71546-75B	71546-75B	each	HEADLIGHT SWITCH, <b>**HI-LOW**</b> (ROCKER STYLE) BIG TWIN 1972-1981, SP. 1972-1981
30-0250	71573-82 71597-92	each	HEADLIGHT SWITCH, <b>**HI-LOW DIMMER &amp; HORN**</b> (BLACK) B/T 1982-1995, SP. 1982-'95
30-0252	71573-82 71597-92	each	HEADLIGHT SWITCH, <b>**HI-LOW DIMMER &amp; HORN**</b> (CHROME) B/T 1982-'95, SP. 1982-'95
A-71840-29	71840-29	each	HEADLIGHT SWITCH, <b>**HI-LOW DIMMER**</b> BIG TWIN 1936-1981, SPORTSTER 1954-1981
K-2-876			HEADLIGHT BRACKET ADJUSTMENT, SPORTSTER 1954-PRESENT



<u>EASTERN NUMBER</u>	<u>REPLACES OEM</u>	<u>PICTURE #</u>	<u>DESCRIPTION</u>
30-0230	71571-82 71589-92	2	START & RUN-OFF SWITCH, <b>**BLACK**</b> BIG TWIN 1982-1995, SPORTSTER 1982-1995
30-0232	71571-82 71589-92	1	START & RUN-OFF SWITCH, <b>**CHROME**</b> BIG TWIN 1982-1995, SPORTSTER 1982-1995
30-0252	71573-82 71597-92	3	HORN & HI-LOW DIMMER SWITCH, <b>**CHROME**</b> BIG TWIN 1982-1995, SP. 1982-1995
30-0242	71591-82 71591-92	5	RIGHT TURN SIGNAL SWITCH, <b>**BLACK**</b> BIG TWIN 1982-1995, SPORTSTER 1982-1995
30-0256	71570-82 71598-92	4	LEFT TURN SIGNAL SWITCH, <b>**BLACK**</b> BIG TWIN 1982-1995, SPORTSTER 1982-1995
30-0250	71573-82		HORN & HI-LOW DIMMER SWITCH, <b>**BLACK**</b> BIG TWIN 1982-1995, SPORT. 1982-1995
30-0252	71573-82		HORN & HI-LOW DIMMER SWITCH, <b>**CHROME**</b> BIG TWIN 1982-1995, SP. 1982-1995

**\*5120 HILDA ROAD\* BLACKVILLE, S.C. 29817\* 803-284-3304\***

**\*\*F & R WHEELS\*\***

**\*\*WHEEL SPROCKETS\*\***

**\*\*SWING ARM PARTS\*\***

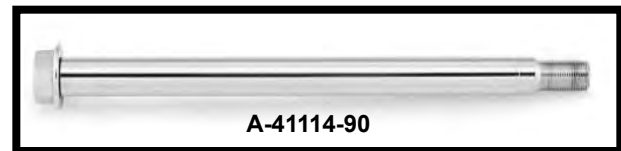
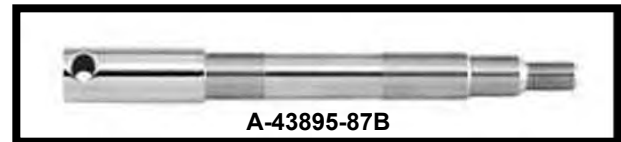
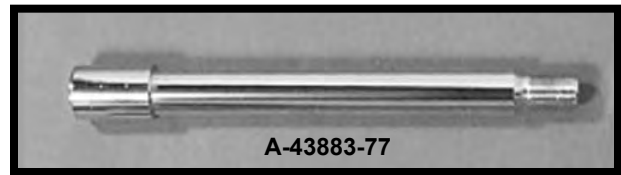
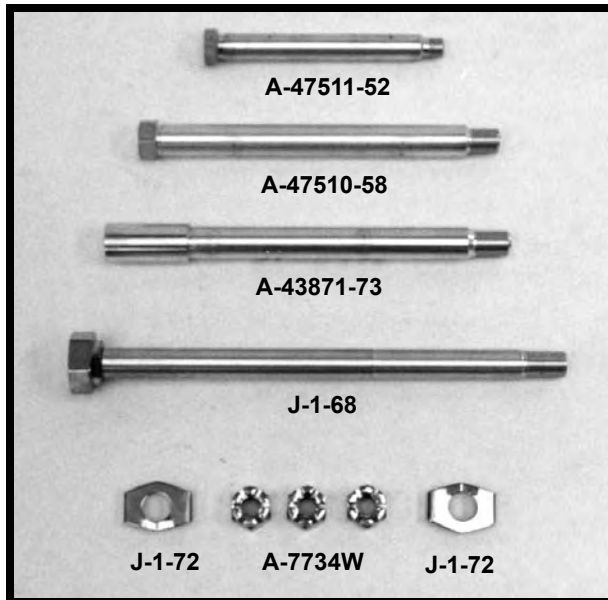
- 
- \* **AXLES**
  - \* **AXLE SLEEVES**
  - \* **AXLE SPACERS**
  - \* **INNER HUB SPACERS**
  - \* **REAR WHEEL SPROCKETS**
  - \* **RIVETS**
  - \* **SWING ARM RELATED PARTS**
  - \* **WHEEL CYLINDER AND RELATED PARTS**
  - \* **WHEEL HUB PARTS**

# **\*\*EASTERN MOTORCYCLE PARTS\*\***

## **\*\*AXLES\*\***

### **\*\*AND RELATED PARTS\*\***

### **\*\*FRONT & REAR WHEELS\*\***



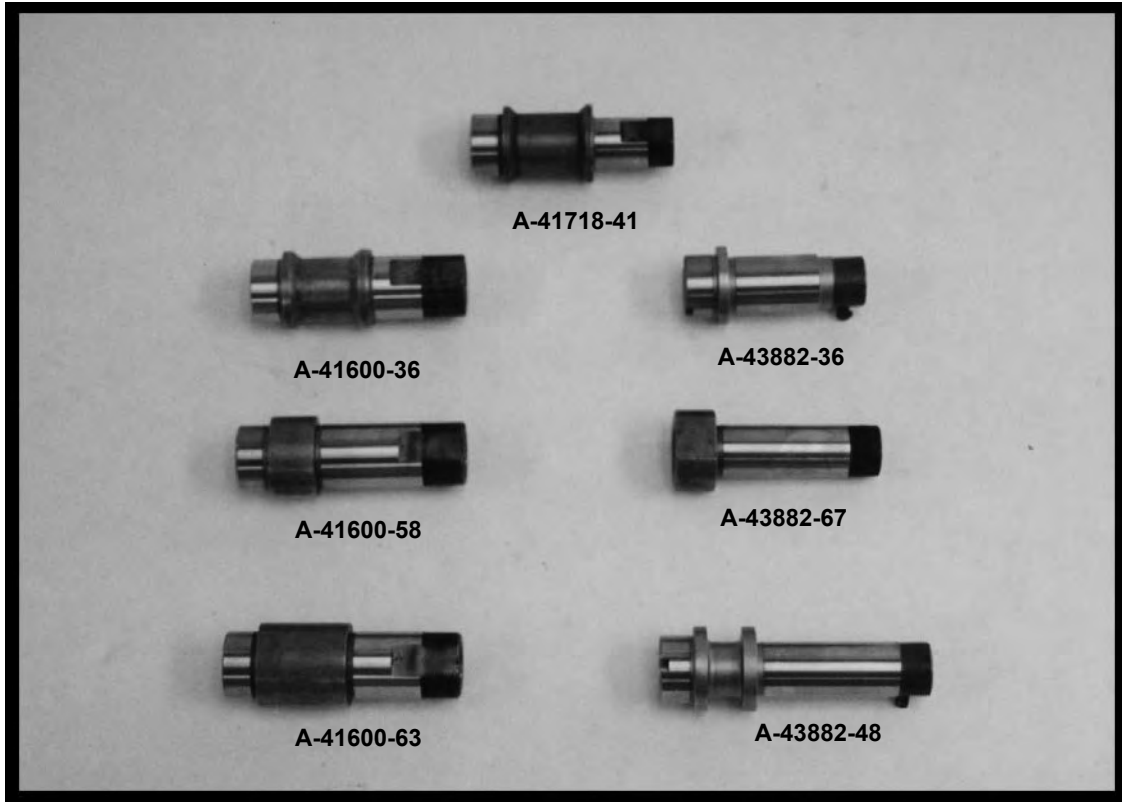
<b>EASTERN NUMBER</b>	<b>REPLACES OEM</b>	<b>DESCRIPTION</b>
A-5756	5756	pk-25 WASHER, REAR AXLE SPACER, <b>**ZINC PLATED**</b> BIG TWIN-SPORTSTER
A-7734W	7734W	pk-5 NUT, REAR AXLE, BIG TWIN 1941-1972
A-8095	8095	each NUT, REAR AXLE SLEEVE, <b>**ZINC PLATED**</b> BIG TWIN 1937-1957
A-41084-02A	41084-02A	each AXLE, REAR WHEEL, <b>**ZINC PLATED**</b> SPORTSTER 2002-2007
45-0190	41109-88	each AXLE, FRONT WHEEL, <b>**ZINC PLATED**</b> BIG TWIN (SPRINGER) L/1988-PRESENT
A-41110-79A	41110-79A	each AXLE, FRONT WHEEL, <b>**ZINC PLATED**</b> B/T (FXR) 1982-1994, (FLT) 1980-1999
A-41114-90	41114-90	each AXLE, FRONT WHEEL, <b>**CHROME PLATED HEAD**</b> BIG TWIN (FXD DYNA) 1991-1996
A-41116-97	41116-97	each AXLE, FRONT WHEEL, <b>**ZINC PLATED**</b> BIG TWIN 1998-PRESENT
A-41551-41	41551-41	each AXLE, REAR WHEEL, <b>**BLACK**</b> FORTY-FIVE 1941-1952
J-1-68E	41551-52	each AXLE, REAR WHEEL, <b>**CHROME HEAD**</b> SPORTSTER 1952-1978
J-1-68	41552-36	each AXLE, REAR WHEEL, <b>**CHROME HEAD**</b> BIG TWIN 1937-1957
J-1-68B	41552-58A	each AXLE, REAR WHEEL, <b>**CHROME HEAD**</b> BIG TWIN 1958-1966
J-1-68D	41552-67	each AXLE, REAR WHEEL, <b>**CHROME HEAD**</b> BIG TWIN 1967-1972
J-1-68A	41552-73	each AXLE, REAR WHEEL, <b>**CHROME HEAD**</b> BIG TWIN 1973-1983
J-1-68J	41563-77A	each AXLE, REAR WHEEL, <b>**CHROME HEAD**</b> SPORTSTER 1979-2003
45-0194	41584-86A	each AXLE, FRONT WHEEL, <b>**ZINC PLATED**</b> BIG TWIN (SOFTAIL,FATBOY) 1986-1996
J-1-72	41603-32	each AXLE LOCK, <b>**CHROME**</b> BIG TWIN 1936-1972
45-0195	43346-83A	each AXLE, FRONT WHEEL, <b>**ZINC PLATED**</b> BIG TWIN (FLH) 1981-1984, (FLT) 19841-999
45-0193	43871-30	each AXLE, FRONT WHEEL, <b>**BLACK**</b> FORTY-FIVE 1930-1952
A-43871-73	43871-73	each AXLE, FRONT WHEEL, <b>**ZINC PLATED**</b> BIG TWIN (FX) 1973-1977, SPORT. 1973-1977
45-0196	43875-73	each AXLE, FRONT WHEEL, <b>**ZINC PLATED**</b> BIG TWIN (FL) 1973-1980, (FXWG) 1980-1983
A-43883-77	43883-77	each AXLE, FRONT WHEEL, <b>**CHROME PLATED**</b> BIG TWIN (FX) 1977-83, SPORT. 1978-1983
45-0197	43883-77	each AXLE, FRONT WHEEL, <b>**ZINC PLATED**</b> BIG TWIN (FX) 1977-83, SPORT. 1978-1983
A-43883-84	43883-84	each AXLE, FRONT WHEEL, <b>**ZINC PLATED**</b> BIG TWIN 1984-1987, <b>(35MM FORKS)</b>
A-43895-87B	43895-87B	each AXLE, FRONT WHEEL, <b>**CHROME PLATED**</b> BIG TWIN (DYNA)1987-1996, SP. 1987-P.
45-0199	43937-79	each AXLE, FRONT WHEEL, <b>**ZINC PLATED**</b> BIG TWIN (FLT) 1979-1981
A-43937-82	43937-82	each AXLE, FRONT WHEEL, <b>**ZINC PLATED**</b> BIG TWIN (FLT) 1983-1983
A-47510-58	47510-58	each PIVOT BOLT, REAR FORK SWING ARM, <b>**CHROME HEAD**</b> BIG TWIN 1958-1984
A-47511-52	47511-52	each PIVOT BOLT, REAR FORK SWING ARM, <b>**ZINC PLATED**</b> SPORTSTER 1954-1981

# **\*\*EASTERN MOTORCYCLE PARTS\*\***

## **\*\*AXLE SLEEVES\*\***

### **\*\*BIG TWIN-SPORTSTER\*\***

### **\*\*FORTY-FIVE\*\***



#### **EASTERN NUMBER**

#### **REPLACES OEM**

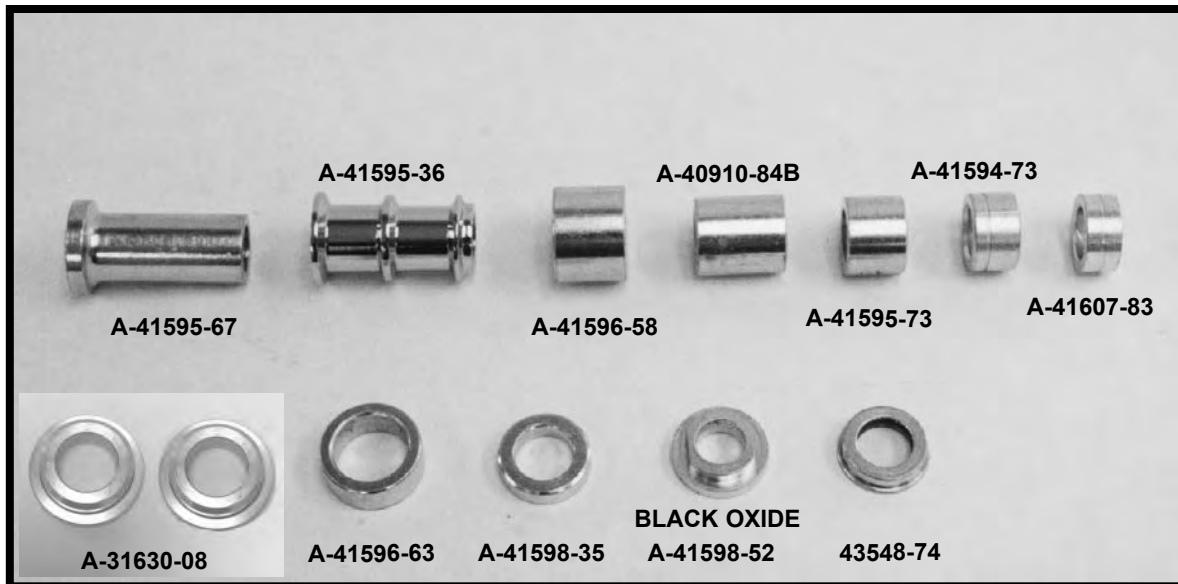
#### **DESCRIPTION**

A-41600-36	41600-36	each	AXLE SLEEVE, (REAR) **MECHANICAL DRUM** BIG TWIN 1937-1957 <b>**MADE IN U.S.A.**</b>
A-41600-58	41600-58	each	AXLE SLEEVE, (REAR) **HYDRAULIC DRUM** BIG TWIN 1958-1962 <b>**MADE IN U.S.A.**</b>
A-41600-63	41600-63	each	AXLE SLEEVE, (REAR) **HYDRAULIC DRUM** BIG TWIN 1963-1966 <b>**MADE IN U.S.A.**</b>
A-41600-67	41600-67	each	AXLE SLEEVE, (REAR) **HYDRAULIC DRUM** BIG TWIN 1967-1972 <b>**MADE IN U.S.A.**</b>
A-41718-41	41718-41	each	AXLE SLEEVE, (REAR) **MECHANICAL DRUM** FORTY-FIVE 1941-1973 <b>**MADE IN USA*</b>
A-43882-36	43882-36	each	AXLE SLEEVE, (FRONT) **BRAKE SIDE** BIG TWIN 1936-1948 <b>**MADE IN U.S.A.**</b>
A-43882-48	43882-48	each	AXLE SLEEVE, (FRONT) **BRAKE SIDE** BIG TWIN 1949-1966 <b>**MADE IN U.S.A.**</b>
A-43882-67	43882-67	each	AXLE SLEEVE, (FRONT) **BRAKE SIDE** BIG TWIN 1967-1972 <b>**MADE IN U.S.A.**</b>
40-0155	43886-30	each	NUT, FRONT AXLE SLEEVE **BLACK OXIDE** BIG TWIN 1936-1945, V.L. 1930-1936 <b>**MADE IN U.S.A.**</b>

# **\*\*EASTERN MOTORCYCLE PARTS\*\***

## **\*\*AXLE SPACERS\*\***

### **\*\*BIG TWIN/SPORTSTER/FORTY-FIVE\*\***

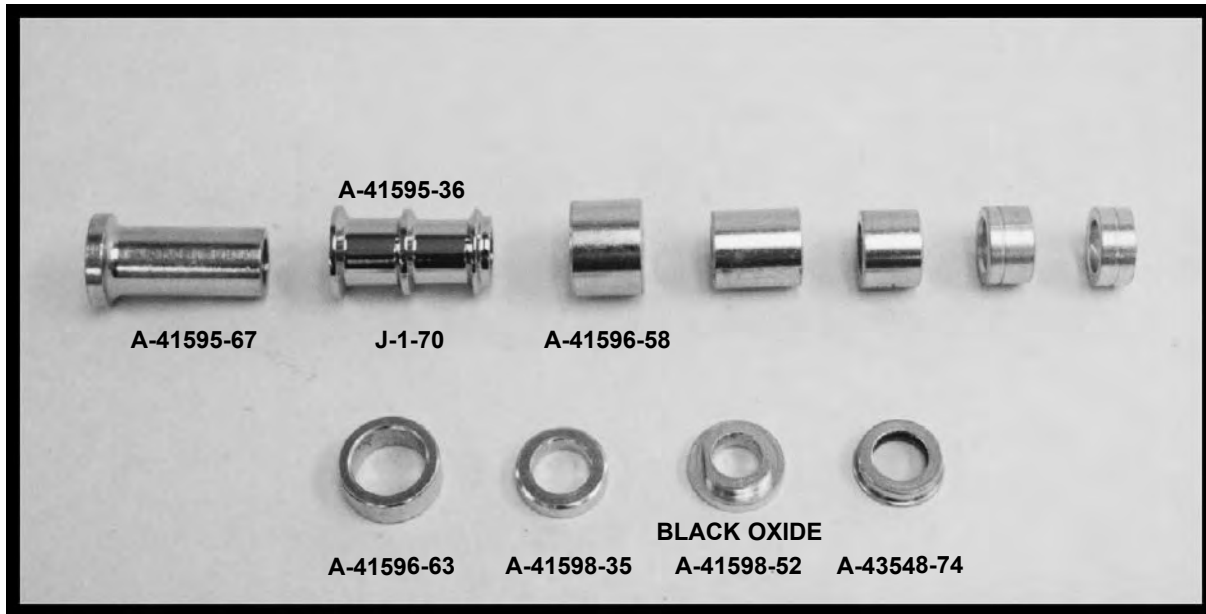


<u>EASTERN NUMBER</u>	<u>REPLACES OEM</u>	<u>DESCRIPTION</u>
A-31630-08	31630-08	pair BUSHING, IDLER WHEEL, (REAR) **ZINC PLATED** XR-1200 2008-2012
A-40906-82A	40906-82A	each SPACER, REAR WHEEL SEAL, BIG TWIN 1982-1983
A-40910-84B	40910-84B	each AXLE SPACER, REAR, **RIGHT SIDE** (1.270 LONG) **ZINC PLATED** BIG TWIN 1984-'99
A-40930-04	40930-04	each AXLE SPACER, REAR, **RIGHT SIDE** (1.475 LONG) **ZINC PLATED** SPORT. 2004-2005
A-40930-05	40930-05	each AXLE SPACER, REAR, **RIGHT SIDE** (1.475 LONG) **ZINC PLATED** SPORT. 2006-P.
A-41591-81	41591-81	each AXLE SPACER, REAR, **LEFT SIDE** (1.165 LONG) **ZINC PLATED** BIG TWIN 1981-'91
A-41591-90	41591-90	each AXLE SPACER, REAR, **LEFT SIDE** (1.430 LONG) **ZINC PLATED** BIG TWIN 1991-'96
A-41592-79	41592-79	each AXLE SPACER, REAR, **LEFT SIDE** (1.200 LONG) **ZINC PLATED** BIG TWIN 1981-'86
A-41593-38	41593-38	each AXLE SPACER, REAR, **RIGHT OR LEFT SIDE** FORTY-FIVE 1938-1952
A-41594-73	41594-73	each AXLE SPACER, FRONT**LEFT SIDE** (.645 LONG) **ZINC PLATED** BIG TWIN 1973-'83
A-41595-00A	41595-00A	each AXLE SPACER, FRONT, **LEFT SIDE** (1.880) **ZINC PLATED** BIG TWIN 2001-PRES.
A-41595-36	41595-36	each AXLE SPACER, REAR, **LEFT SIDE** (ZINC PLATED) BIG TWIN 1937-1957
A-41595-58	41595-58	each AXLE SPACER, REAR, **LEFT SIDE** **ZINC PLATED** BIG TWIN 1958-1966
A-41595-67	41595-67	each AXLE SPACER, REAR, **LEFT SIDE** **ZINC PLATED** BIG TWIN 1967-1972
A-41595-73	41595-73	each AXLE SPACER, REAR, **LEFT SIDE** (.812 LONG) **ZINC PLATED** BIG TWIN 1973-1986
A-41595-86	41595-86	each AXLE SPACER, REAR, **LEFT SIDE** (1.225 LONG) **ZINC PLATED** BIG TWIN 1986-'86
J-1-60	41596-30	each AXLE SPACER, REAR, (AXLE SLEEVE) **ZINC** (MECH. BRAKE) BIG TWIN 1937-1957
J-1-67	41596-30	each AXLE SPACER, REAR, (AXLE SLEEVE) **CHROME** (MECH. BRAKE) BIG TWIN 1937-1957
A-41596-58	41596-58	each AXLE SPACER, REAR, **LEFT SIDE** (BACKING PLATE) **ZINC** BIG TWIN 1958-1962
A-41596-63	41596-63	each AXLE SPACER, REAR, **LEFT SIDE** (BACKING PLATE) **ZINC** BIG TWIN 1963-1972
A-41598-35	41598-35	each AXLE SPACER, REAR, (AXLE SLEEVE) **ZINC PLATED** FORTY-FIVE 1937-1973
A-41598-52	41598-52	each AXLE SPACER, (COLLAR) REAR, **BLACK OXIDE** SPORTSTER 1952-1973

# **\*\*EASTERN MOTORCYCLE PARTS\*\***

## **\*\*AXLE SPACERS\*\***

### **\*\*BIG TWIN/SPORTSTER/FORTY-FIVE\*\***



<u>EASTERN NUMBER</u>	<u>REPLACES OEM</u>	<u>DESCRIPTION</u>
A-41600-55	41600-55 each	AXLE SPACER, REAR **LEFT SIDE** <b>**ZINC PLATED**</b> SPORTSTER 1952-1978
A-41606-77	41606-77 each	AXLE SPACER, REAR, **LEFT SIDE** (.705 LONG) <b>**ZINC PLATED**</b> SPORT. 1979-1985
A-41606-80	41606-80 each	AXLE SPACER, REAR, **LEFT SIDE** (.800 LONG) <b>**ZINC PLATED**</b> SPORT. 1980-1981
A-41607-83	41607-83 each	AXLE SPACER, FRONT **RIGHT SIDE** (.500 LONG) <b>**ZINC PLATED**</b> BIG TWIN 1980-'83
40-0235	43360-97 each	AXLE SPACER, FRONT **LEFT SIDE** (WITH BRONZE WASHER) BIG TWIN 1997-1999
A-43488-77	43488-77 each	AXLE SPACER, FRONT **LEFT SIDE** (.469 LONG) <b>**ZINC PLATED**</b> SPORT. 1974-1985
A-43548-74	43548-74 each	AXLE SPACER, FRONT **LEFT SIDE** (.300 LONG) BIG TWIN 1974-1977, SP. 1974-1977
A-43617-95	43617-95 each	AXLE SPACER, FRONT **LEFT SIDE** (.925 LONG) BIG TWIN 1995-1996, SP. 1995-P.
A-43624-97	43624-97 each	AXLE SPACER, FRONT **RIGHT SIDE** (.925 LONG) <b>**ZINC PLATED**</b> BIG TWIN 1997-P.
A-43654-86A	43654-86A each	AXLE SPACER, REAR, **LEFT SIDE** (.730 LONG) BIG TWIN 1986-1999, SP. 1986-P.
A-43657-89	43657-89 each	AXLE SPACER, FRONT, **RIGHT SIDE** (1.000 LONG) *ZINC PLATED* BIG TWIN 1993-'98
A-43674-95	43674-95 each	AXLE SPACER, FRONT, **LEFT SIDE** (1.430 LONG) <b>**ZINC PLATED**</b> BIG TWIN 1995-96
A-43683-97	43683-97 each	AXLE SPACER, FRONT, **LEFT SIDE** (1.346 LONG) <b>**ZINC PLATED**</b> BIG TWIN 1998-'99
A-44029-88	44029-88 each	AXLE SPACER, FRONT, **RIGHT SIDE** (1.268) <b>**ZINC PLATED**</b> BIG TWIN 1998-1996
A-44029-97	44029-97 each	AXLE SPACER, FRONT, **RIGHT SIDE** (1.196) <b>**ZINC PLATED**</b> BIG TWIN 1998-1996



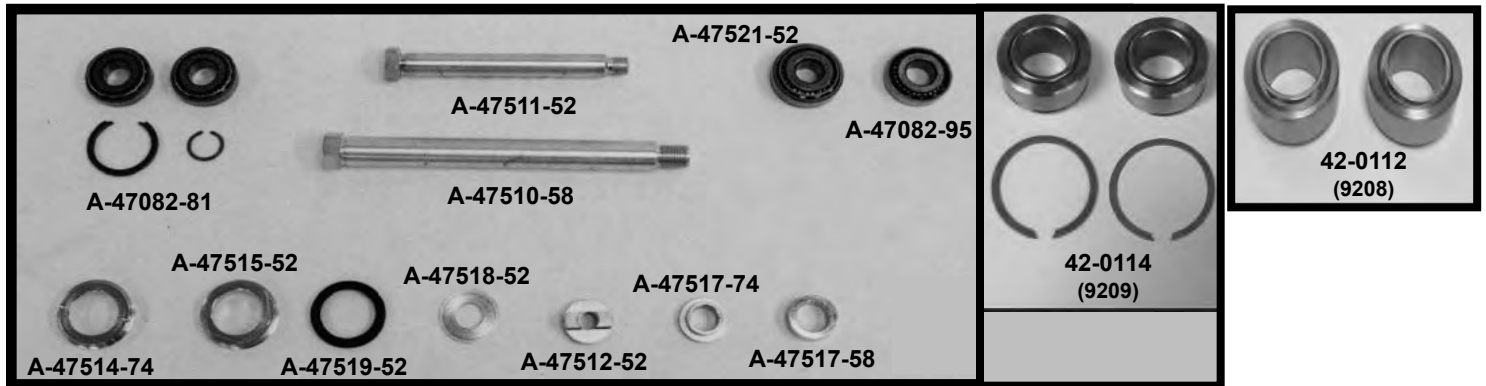


# \*\*EASTERN MOTORCYCLE PARTS\*\*

## \*\*REAR FORK SWING ARM\*\*

### \*\*RELATED PARTS\*\*

### \*\*BIG TWIN-SPORTSTER\*\*

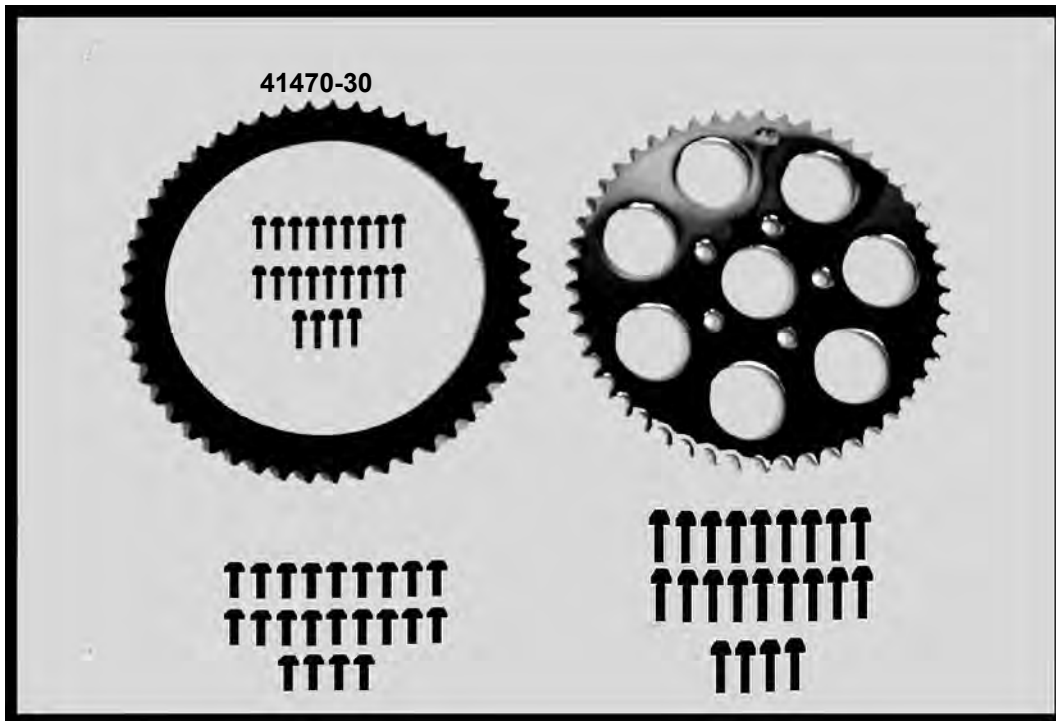


<u>EASTERN NUMBER</u>	<u>REPLACES OEM</u>		<u>DESCRIPTION</u>
A-9033	9033	each	BEARING, REAR SWING ARM, BIG TWIN 1958-1986
A-9052	9052	each	BEARING, FRONT & REAR WHEELS, **TIMKEN** BIG TWIN 1973-1999, SPORT. 1973-P.
42-0112	9208	pair	BEARING, REAR FORK SWING ARM **2-CAM** BIG TWIN 2009-PRESENT
42-0114	9209	kit	BEARING KIT, REAR FORK SWING ARM, SPORTSTER 2004-PRESENT
	11282		<b>KIT INCLUDES: (2) 9209 BEARINGS AND (2) 11282 RETAINING RINGS</b>
A-9247	9247	each	BEARING, FRONT & REAR WHEELS, **FLT-ONLY** BIG TWIN 2000-2007
A-9267A	9267A	each	BEARING, FRONT & REAR WHEELS, BIG TWIN 2000-2008, SPORTSTER 2000-2007
A-9270	9270	each	BEARING ONLY, REAR FORK PIVOT **SWING ARM** BIG TWIN 2000-PRESENT
A-9270-KIT	9270/11282	kit	BEARING KIT, REAR FORK PIVOT **SWING ARM** BIG TWIN 2000-PRESENT
			<b>KIT INCLUDES: (2) BEARINGS AND (2) RETAINING RINGS</b>
A-9276	9276	each	BEARING, FRONT & REAR WHEELS, BIG TWIN 2007-PRESENT, SPORTSTER 2007-PRES
A-43283-86	43283-86	pk-10	SPACER, REAR FORK SWING ARM, BIG TWIN 1986-1996
A-47082-81	47082-81	each	BEARING ASSEMBLY, REAR FORK SWING ARM, BIG TWIN 1991-1996, SPORT 1981-1999
A-47082-95	47082-81	each	BEARING **CUP & CONE ONLY** REAR FORK SWING ARM, B/T 1991-1996, SP. 1981-P.
A-47083-81A	47083-81A	each	BUSHING, REAR FORK SWING ARM PIVOT BOLT, SPORTSTER 1982-2003
A-47510-58	47510-58	each	PIVOT BOLT, REAR FORK SWING ARM **CHROME HEAD** BIG TWIN 1958-1984
A-47511-52	47511-52	each	PIVOT BOLT, REAR FORK SWING ARM **ZINC PLATED** SPORTSTER 1954-1981
A-47512-52	47512-52	each	NUT, PIVOT BOLT **LEFT SIDE** SPORTSTER 1952-E/1974
A-47512-74	47512-74	each	NUT, PIVOT BOLT **LEFT SIDE** SPORTSTER L/1974-1981
A-47513-58	47513-58	pk-10	LOCK TAB, REAR FORK PIVOT BOLT, BIG TWIN 1958-1984
A-47514-52	47514-52	each	LOCKNUT, REAR FORK SWING ARM **LEFT BEARING** SPORTSTER 1952-E/1974
A-47514-74	47514-74	each	LOCKNUT, REAR FORK SWING ARM **LEFT BEARING** SPORTSTER L/1974-1981
A-47515-52	47515-52	each	LOCKNUT, REAR FORK SWING ARM **RIGHT BEARING** SPORTSTER 1952-E/1974
A-47515-74	47515-74	each	LOCKNUT, REAR FORK SWING ARM **RIGHT BEARING** SPORTSTER L/1974-1981
A-47517-52	47517-52	each	SPACER, PIVOT BOLT **RIGHT SIDE** SPORTSTER 1952-E/1974
A-47517-58	47517-58	pair	SPACER, PIVOT BOLT BEARING, BIG TWIN 1958-1984
A-47517-74	47517-74	each	SPACER, PIVOT BOLT **RIGHT SIDE** SPORTSTER L/1974-1981
A-47518-52	47518-52	pair	SPACER, INNER BEARING, REAR FORK SWING ARM, SPORTSTER 1952-1981
A-47519-52	47519-52	pair	DUST SHIELD, REAR FORK BEARING, SPORTSTER 1952-1981
A-47519-58	47519-58	pk-5	OIL SEAL, REAR FORK SWING ARM, BIG TWIN 1958-1972
A-47519-72	47519-72	pk-5	OIL SEAL, REAR FORK SWING ARM, BIG TWIN 1973-1983, SPORTSTER 1973-1983
A-47519-83A	47519-83A	pk-5	OIL SEAL, REAR FORK SWING ARM, BIG TWIN 1984-1999, SPORTSTER 1984-1999
A-47521-52	47521-52	each	BEARING, **CUP & CONE** REAR FORK SWING ARM, SPORTSTER 1952-E/1974
A-47521-74	47521-74	each	BEARING, **CUP & CONE** REAR FORK SWING ARM, SPORTSTER L/1974-1981
A-47525-52	47525-52	pk-10	LOCK PLATE, BEARING NUT, REAR FORK SWING ARM, SPORTSTER 1952-1981
A-47550-74	47550-74	kit-11	BEARING KIT, REAR FORK, SPORT. 1952-E/1974 <b>KIT INCL: (1) 47512-52, (1) 47514-52, (1) 47515-52, (1) 47517-52, (2) 47518-52, (2) 47519-52, (2) 47521-52, (1) 47525-52</b>
A-47550-97		kit-11	BEARING KIT, REAR FORK, SPORT. L/1974-1981 <b>KIT INCL: (1) 47512-74, (1) 47514-74, (1) 47515-74, (1) 47517-74, (2) 47518-52, (2) 47519-52, (2) 47521-74, (1) 47525-52</b>

# **\*\*EASTERN MOTORCYCLE PARTS\*\***

## **\*\*SPROCKETS\*\***

### **\*\*REAR WHEEL AND RIVETS\*\***



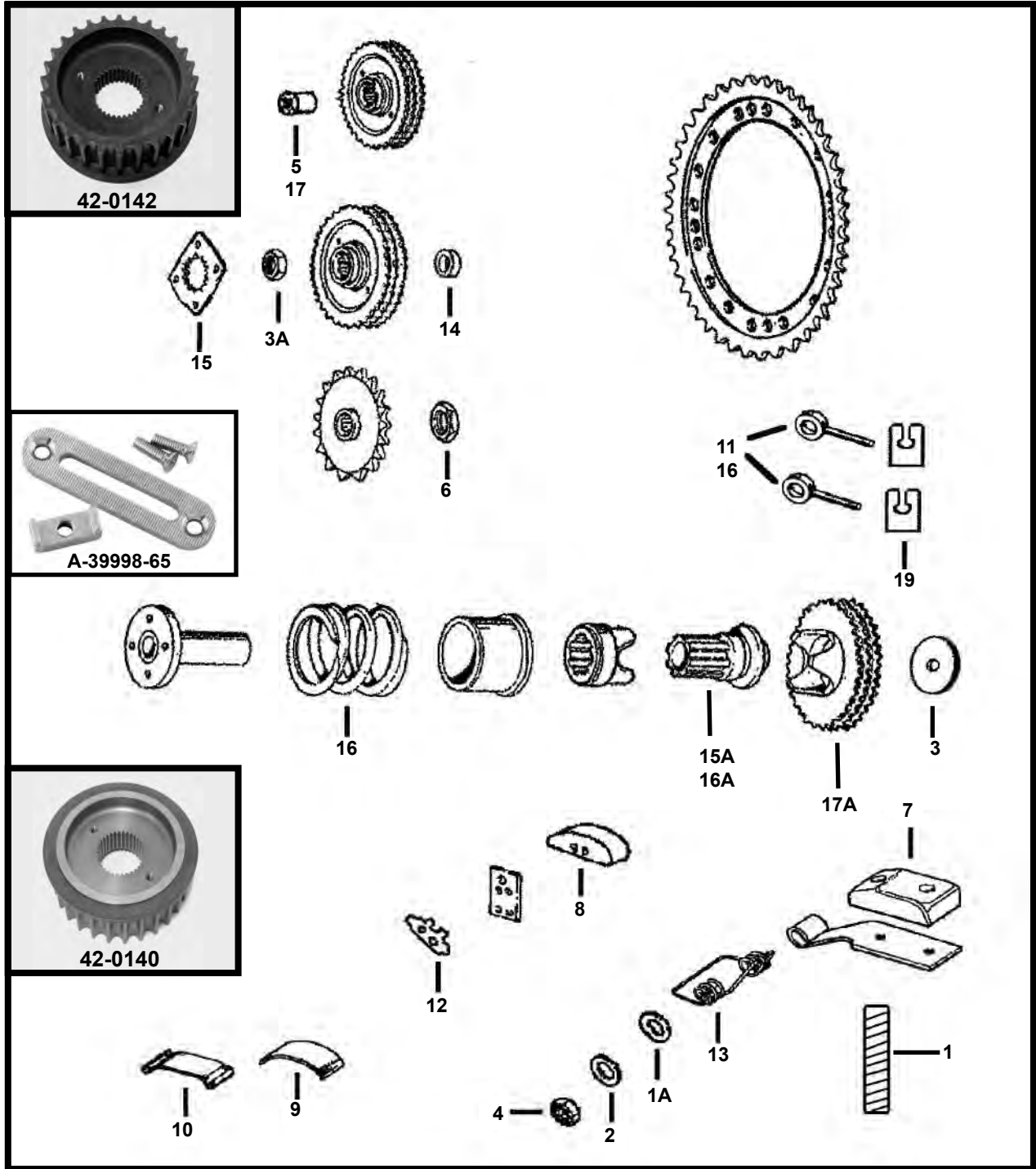
<u>EASTERN NUMBER</u>	<u>REPLACES OEM</u>	<u>DESCRIPTION</u>
A-8485	8485	pk-100 RIVETS, REAR WHEEL SPROCKET, **9/64 X 9/16" LONG** BIG TWIN 1930-1957
J-1-120	8485	set-20 RIVET SET & DOWEL PINS, REAR DRUM, BIG TWIN 1930-1957, SP. 1954-1978
A-8486	8486	pk-100 RIVETS, REAR WHEEL SPROCKET, **1/8 X 19/32" LONG** SPORTSTER 1952-1978
J-1-121	8486	set-20 RIVET SET, REAR WHEEL SPROCKET, **1/8 X 19/32" LONG** SPORTSTER 1952-1978
A-8496	8496	pk-100 RIVETS, REAR WHEEL SPROCKET, **5/32 X 1/2" LONG** FORTY-FIVE 1935-1973
J-1-119	8496	set-20 RIVET SET, REAR WHEEL SPROCKET, **5/32 X 1/2" LONG** FORTY-FIVE 1935-1973
A-8524	8524	pk-100 RIVETS, REAR WHEEL SPROCKET, **3/16 X 5/8" LONG** BIG TWIN 1958-1966
A-8532	8532	pk-100 RIVETS, REAR WHEEL SPROCKET, **3/16 X 1" LONG** BIG TWIN 1967-1972
J-1-122		set-20 RIVET SET, REAR WHEEL SPROCKET, BIG TWIN 1960-1966
J-1-124		set-20 RIVET SET, REAR WHEEL SPROCKET, BIG TWIN 1967-1972
A-40954-81	40954-81	each SPROCKET, REAR WHEEL, **CHROME** (48 TOOTH), BIG TWIN 1982-1985
A-40954-83	40954-83	each SPROCKET, REAR WHEEL, **CHROME** (51 TOOTH), BIG TWIN 1982-1985
J-1-91	41420-30	each DUST SHIELD, REAR WHEEL SPROCKET, BIG TWIN 1937-1957
A-41421-35	41421-35	each DUST SHIELD, REAR WHEEL SPROCKET, FORTY-FIVE 1932-1973
A-41470-30	41470-30	each SPROCKET, REAR BRAKE DRUM, **W/DUST RING/RIVETS** (51 TOOTH), B/T 1930-1957
A-41470-58	41470-58	each SPROCKET, REAR BRAKE DRUM, **WITH RIVETS** (51 TOOTH), BIG TWIN 1958-1961
A-41470-62	41470-62	each SPROCKET, REAR BRAKE DRUM, **WITH RIVETS** (51 TOOTH), BIG TWIN 1962-1966
A-41470-67	41470-67	each SPROCKET, REAR BRAKE DRUM, **WITH RIVETS** (51 TOOTH), BIG TWIN 1967-1972
A-41470-70	41470-70	each SPROCKET, REAR BRAKE DRUM, **WITH RIVETS** (51 TOOTH), SPORTSTER 1957-1977
A-41470-73	41470-73A	each SPROCKET, REAR WHEEL, **CADMIUM** (51 TOOTH), BIG TWIN 1973-1985, SP. 1979-'81
A-41470-73C	41470-78	each SPROCKET, REAR WHEEL, **CHROME** (51 TOOTH), BIG TWIN 1973-1985, SP. 1979-'81
A-41470-78C		each SPROCKET, MAG REAR WHEEL, **CHROME**
A-41470-82	41470-82	each SPROCKET, REAR WHEEL, **CHROME** (48 TOOTH), SPORTSTER 1982-1985
A-41474-35	41474-35	each SPROCKET, REAR WHEEL, **W/DUST RING/RIVETS** (41 TOOTH) FORTY-FIVE 1935-'73
A-41492-90	41492-90	each SPROCKET, REAR WHEEL, **CHROME** (49 TOOTH), SPORTSTER 1986-1992
A-41493-90	41493-90	each SPROCKET, REAR WHEEL, **CHROME** (47 TOOTH), SPORTSTER 1986-1992

# \*\*EASTERN MOTORCYCLE PARTS\*\*

## \*\*SPROCKET & CHAIN\*\*

### \*\*RELATED PARTS\*\*

### \*\*BIG TWIN-SPORTSTER\*\*



\*\*CONTINUED NEXT PAGE\*\*

# \*\*EASTERN MOTORCYCLE PARTS\*\*

## \*\*SPROCKET & CHAIN\*\*

### \*\*RELATED PARTS\*\*

### \*\*BIG TWIN-SPORTSTER\*\*

<u>DIAGRAM NUMBER</u>	<u>EASTERN NUMBER</u>	<u>REPLACES OEM</u>	<u>DESCRIPTION</u>
1	A-3250	3250	pk-5 ADJUSTING SCREW, PRIMARY CHAIN, SPORTSTER 1971-1990
1A	A-6379W	6379W	pk-25 WASHER **3/8 X 5/8 X 3/64 THICK** (ZINC PLATED)
2	A-6033	6033	pk-25 WASHER **3/8 X 9/16 X 1/16 THICK** (ZINC PLATED)
3	A-6445	6445	each WASHER, COMPENSATING SPROCKET, BIG TWIN 2006-2010
3A	A-7652	7652	pk-10 NUT, **3/4-16 THREAD** SPORTSTER 1991-PRESENT
4	35-0532	7775	pk-10 NYLOCK NUT, **3/8-24 THREAD** BIG TWIN-SPORTSTER
5	A-24003-30	24003-30	each NUT, SPROCKET SHAFT, BIG TWIN 1930-1954
	A-24003-55	24003-55	each NUT, SPROCKET SHAFT, BIG TWIN 1955-1971
6	A-35211-36	35211-36	each NUT, SPROCKET SHAFT, BIG TWIN 1936-1984, SPORT. 1990-ONLY
	A-35211-91	35211-91	each NUT, SPROCKET SHAFT, SPORTSTER 1991-PRESENT
7	A-39966-80	39966-80	each PAD, FRONT CHAIN ADJUSTER, SPORTSTER 1977-1990
8	O-6-019	39976-65B	each CHAIN TENSIONER PAD (NYLON) BIG TWIN 1965-2006
9	O-6-021	39978-58	pk-5 NYLON LINING, CHAIN ADJUSTER, SPORTSTER 1958-1978
10	O-6-021A	39979-58A	pk-5 RETAINER, FRONT CHAIN ADJUSTMENT, SPORTSTER 1958-1978
11	M-4-644	39985-52	pair CHAIN ADJUSTERS (REAR FORK) <b>**CHROME**</b> SPORTSTER 1954-'78
12	A-39996-65	39996-65	pk-10 LOCK TAB, CHAIN TENSIONER PLATE, BIG TWIN 1965-2000
13	A-40019-80A	40019-80A	pk-5 SPRING, FRONT CHAIN TENSIONER, SPORTSTER 1977-1985
	A-40019-86A	40019-86A	pk-5 SPRING, FRONT CHAIN TENSIONER, SPORTSTER 1986-1990
14	A-40240-89	40240-89	each SPACER, ENGINE SPROCKET, SPORTSTER 1991-2004
15	A-40251-92	40251-92	each LOCK PLATE, BIG TWIN 1992-2006, SPORTSTER 1992-PRESENT
15A	A-40297-06	40297-06	each EXTENSION, SPROCKET SHAFT, BIG TWIN 2006-2010
16	A-40302-55A	40302-55A	each SPRING, COMPENSATING SPROCKET, B/T 1955-1970, SP. 1957-1976
16A	A-40375-70	40375-70	each EXTENSION, SPROCKET SHAFT, BIG TWIN 1970-1990
17	A-40387-70	40387-70	each ENGINE NUT, SPROCKET SHAFT, SPORTSTER 1970-1990
	A-40392-70	40392-70	each ENGINE NUT, SPROCKET SHAFT, BIG TWIN 1970-1990
17A	A-40333-06	40333-06	each COMPENSATOR SPROCKET SLID & CAM, BIG TWIN 2006-PRESENT
18	M-4-646	41570-77	pair CHAIN ADJUSTERS (REAR FORK) <b>**CHROME**</b> BIG TWIN 1973-1984,
	M-4-655	41573-84	pair CHAIN ADJUSTERS (REAR FORK) <b>**CHROME**</b> SPORTSTER 1979-P.
	M-4-645	41576-36	pair CHAIN ADJUSTERS W/ END COVER <b>**CADMIUM**</b> BIG TWIN 1984-'96
	M-4-658	41583-84	pair CHAIN ADJUSTERS (REAR FORK) <b>**CHROME**</b> BIG TWIN 1936-1972
	M-4-648	41583-84	pair CHAIN ADJUSTERS W/ END COVER <b>**CAD**</b> BIG TWIN 1986-ONLY
19	M-4-648	47554-73	pair END COVERS, CHAIN ADJUSTERS <b>**CHROME**</b> BIG TWIN 1973-1984
	M-4-648	47554-73	pair END COVERS, CHAIN ADJUSTERS <b>**CHROME**</b> SPORTSTER 1979-04
*	A-39998-65	39998-65	kit KIT, PRIMARY CHAIN TENSIONER PLATE, BIG TWIN 1965-2000
	42-0140	40205-95	each SPROCKET, BELT DRIVE <b>**29-TOOTH**</b> SPORTSTER 1991-2003
	42-0142	40379-04	each SPROCKET, BELT DRIVE <b>**28-TOOTH**</b> SPORTSTER 2004-2013



\*\*SEE PAGE 275, 276 FOR COMPLETE LIST OF MOTOR\*\*

\*\*& COUNTERSHAFT SPROCKETS\*\*

\*\*SEE PAGE 325 FOR COMPLETE LIST OF\*\*

\*\*REAR WHEEL SPROCKETS\*\*

\*5120 HILDA ROAD\* BLACKVILLE, S.C. 29817\* 803-284-3304\*

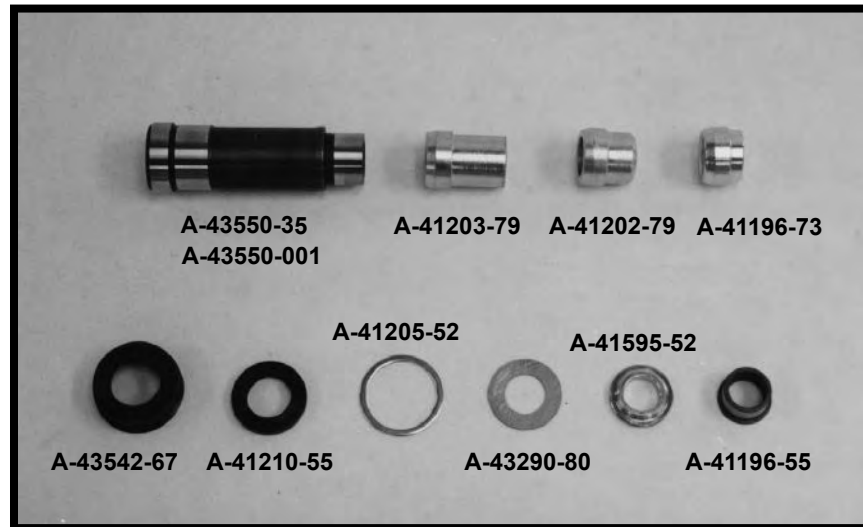
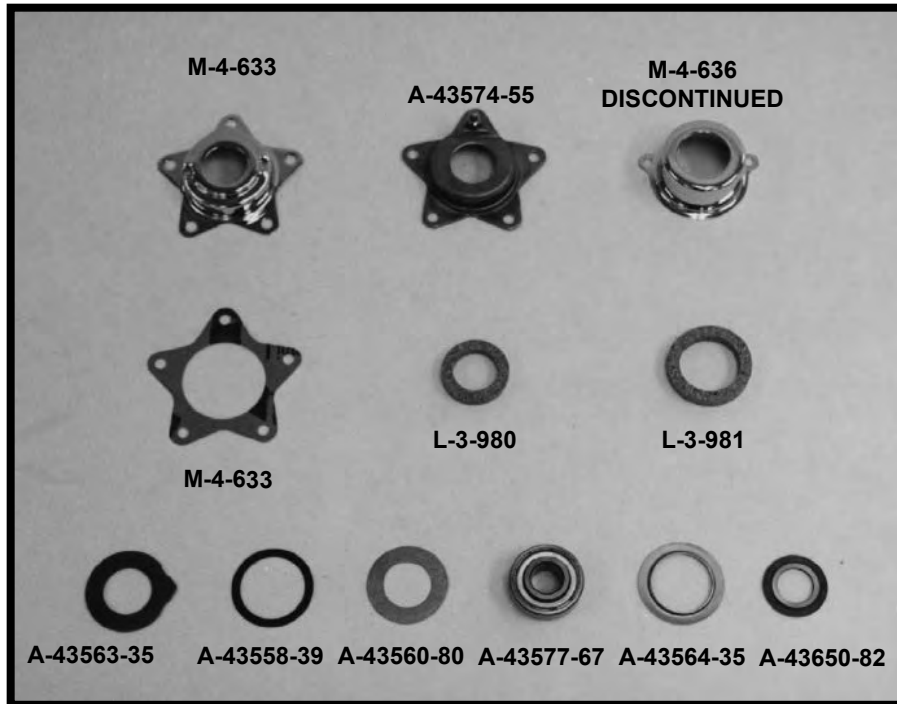
\*Pg 329\*

# **\*\*EASTERN MOTORCYCLE PARTS\*\***

## **\*\*WHEEL HUB PARTS\*\***

### **\*\*FRONT AND REAR WHEEL\*\***

#### **\*\*BIG TWIN-SPORTSTER\*\***



<b>EASTERN NUMBER</b>	<b>REPLACES OEM</b>		<b>DESCRIPTION</b>
A-9247	9247	each	BEARING, FRONT & REAR WHEELS, **FLT-ONLY** BIG TWIN 2000-2007
42-0138	9252	each	BEARING, FRONT & REAR WHEELS, BIG TWIN 2007-PRESENT
A-9267A	9267A	each	BEARING, FRONT & REAR WHEELS, BIG TWIN 2000-2008, SPORTSTER 2000-2007
A-9270	9270	each	BEARING ONLY, REAR FORK PIVOT **SWING ARM** BIG TWIN 2000-PRESENT
A-9270-KIT	9270/11282	kit	BEARING KIT, REAR FORK PIVOT **SWING ARM** BIG TWIN 2000-PRESENT KIT INCLUDES: (2) BEARINGS AND (2) RETAINING RINGS

**\*\*CONTINUED NEXT PAGE\*\***

**\*5120 HILDA ROAD\* BLACKVILLE, S.C. 29817\* 803-284-3304\***

# **\*\*EASTERN MOTORCYCLE PARTS\*\***

## **\*\*WHEEL HUB PARTS\*\***

### **\*\*FRONT AND REAR WHEEL\*\***

#### **\*\*BIG TWIN-SPORTSTER\*\***

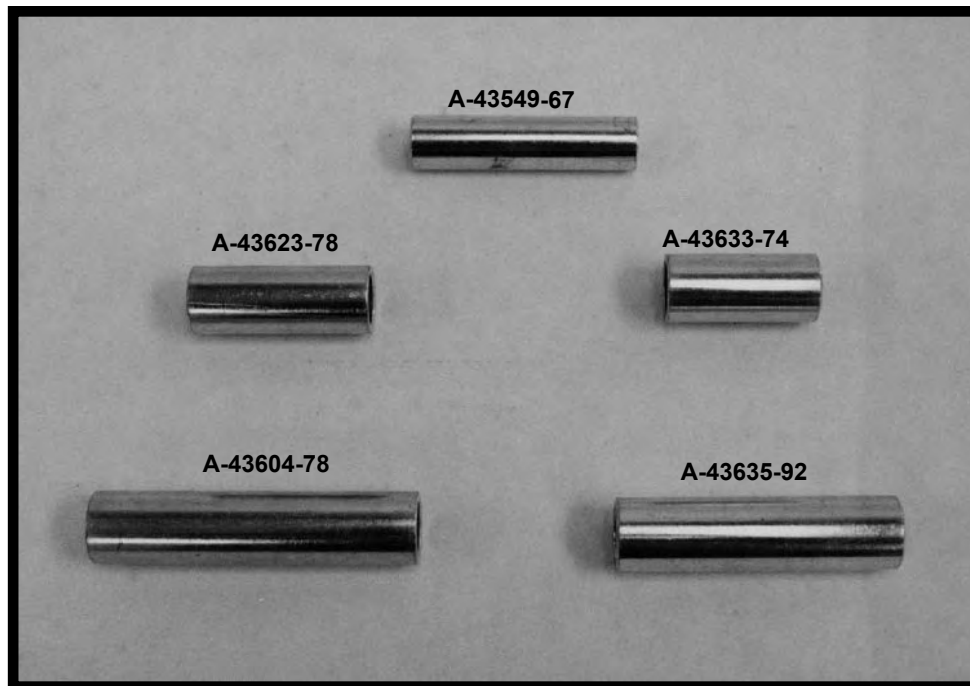
<u>EASTERN NUMBER</u>	<u>REPLACES OEM</u>		<u>DESCRIPTION</u>
A-9276	9276	each	BEARING, FRONT & REAR WHEELS, BIG TWIN 2007-PRESENT, SPORTSTER 2007-PRES
A-41195-52	41195-52	pk-5	SPACER, WHEEL HUB BEARING, **RIGHT SIDE** SPORTSTER 1952-1962
A-41195-63	41195-63	pk-10	SPACER/WASHER, REAR WHEEL HUB BEARING, SPORTSTER 1963-1978
A-41196-55	41196-55	each	SPACER, WHEEL HUB BEARING, BIG TWIN 1967-1972, SPORTSTER 1955-1977
A-41196-73	41196-73	each	SPACER, OUTER BEARING, RIGHT SIDE, (REAR) BIG TWIN 1973-E/1983, SP. 1979-1987
A-41196-83	41196-83	each	SPACER, OUTER WHEEL BEARING, RIGHT SIDE, (REAR) BIG TWIN L/1983-1986
A-41201-55	41201-55	each	LOCKNUT, WHEEL HUB BEARING, **RIGHT HAND THREAD** SPORTSTER 1955-1978
A-41202-79	41202-79	each	SPACER, OUTER WHEEL BEARING, LEFT SIDE, SPORTSTER 1979-1981
A-41203-79	41203-79	each	SPACER, OUTER WHEEL BEARING, RIGHT SIDE, SPORTSTER 1979-ONLY
A-41205-52	41205-52	pk-10	WASHER, WHEEL BEARING, LEFT SIDE, SPORTSTER 1952-1978
42-0103	41207-79	each	SPACER, OUTER BEARING, RIGHT SIDE, (REAR) BIG TWIN 1973-E/1983, SP. 1979-1987
A-41210-55	41210-55	pk-5	OIL SEAL, REAR WHEEL BEARING, BIG TWIN 1967-1972, SPORTSTER 1955-1978
A-41814-76	41814-76	each	SPACER, FRONT BRAKE ROTOR **PLAIN STEEL** BIG TWIN 1972-1978
A-43290-82	43290-82	pk-10	SPACER/WHEEL SHIM, FRONT & REAR WHEELS (.032) BIG TWIN 1983-1999
A-43290-91		pk-10	SPACER/WHEEL SHIM, FRONT & REAR WHEELS (.028) BIG TWIN 1983-1999
A-43291-82	43291-82	pk-10	SPACER/WHEEL SHIM, FRONT & REAR WHEELS (.016) BIG TWIN 1983-1999
A-43292-82	43292-82	pk-10	SPACER/WHEEL SHIM, FRONT & REAR WHEELS (.008) BIG TWIN 1983-1999
A-43293-82	43293-82	pk-10	SPACER/WHEEL SHIM, FRONT & REAR WHEELS (.004) BIG TWIN 1983-1999
A-43294-82	43294-82	pk-10	SPACER/WHEEL SHIM, FRONT & REAR WHEELS (.002) BIG TWIN 1983-1999
A-43295-SET		set-6	SPACER/WHEEL SHIMS, FRONT & REAR WHEELS (.002-.032) BIG TWIN 1983-1999 <b>SET INCLUDES: (1ea) 43290-82, 43290-91, 43291-82, 43292-82, 43293-82, 43294-82</b>
42-0107	43359-84	each	PLATE, FRONT WHEEL HUB **SILVER** BIG TWIN 1984-1995
A-43542-67	43542-67	each	LOCKNUT, WHEEL HUB BEARING, **LEFT HAND THREAD** BIG TWIN 1967-1972
A-43550-001	43550-35	each	BEARING RACE, INNER WHEEL HUBS (.001 <b>OVERSIZE ON SMALL END</b> ) BIG TWIN 1936-1966
A-43550-35	43550-35	each	BEARING RACE, INNER WHEEL HUBS (FRONT & REAR) BIG TWIN 1936-1966
A-43552-39	43552-39	pk-5	THRUST WASHERS, SMALL RETAINER, **STAR HUB** BIG TWIN 1939-1966
42-0108	43554-35	pk-10	RETAINING RING, STEEL RETAINER **STAR HUB** BIG TWIN 1937-1966
A-43556-35	43556-35	each	BEARING SLEEVE, INNER WHEEL HUBS (FRONT & REAR) BIG TWIN 1936-1972
A-43558-39	43558-39	pk-5	THRUST WASHER, LARGE RETAINER, **STAR HUB** BIG TWIN 1939-1966
A-43559-73	43559-73	pk-10	WASHER, WHEEL HUB BEARING SPACER (.047 THICK) B/T 1973-1984, SP. 1979-1981
A-43560-35	43560-35	pk-10	SHIMS, STAR HUB (.007 <b>THICK</b> ) BIG TWIN 1936-1966
A-43560-35A	43560-35	pk-10	SHIMS, STAR HUB (.002 <b>THICK</b> ) BIG TWIN 1936-1966
A-43560-80	43560-80	pk-10	SHIMS, STAR HUB (.015 <b>THICK</b> ) BIG TWIN 1936-1966
A-43563-35	43563-35	pk-5	THRUST WASHERS, OUTER WHEEL HUB, BIG TWIN 1937-1966
A-43564-35	43564-35	pk-10	RETAINER, WHEEL HUB, **STAR HUB** BIG TWIN 1937-1966
M-4-633	43566-35	each	STAR COVER, WHEEL HUB **CHROME** BIG TWIN 1936-1966
L-3-980	43570-35	pk-10	CORK WASHER, STAR HUB (SMALL) BIG TWIN 1935-1966
L-3-981	43571-35	pk-10	CORK WASHER, STAR HUB (LARGE) BIG TWIN 1935-1966
M-4-848	43570-35	kit	GASKET AND CORK KIT, **FRONT & REAR WHEELS** BIG TWIN 1936-1966 <b>KIT INCLUDES: (1) 43570-35, (1) 43571-35, (1) 43576-36</b>
A-43574-55	43574-55	each	THRUST WASHERS, INNER WHEEL HUB, (W/GREASE FITTING) BIG TWIN 1937-1966
L-3-982	43576-35	pk-10	GASKETS, STAR HUB WHEEL COVER, BIG TWIN 1935-1966
A-43577-67	43577-67	each	BEARING, WHEEL HUB, BIG TWIN 1967-1972
A-43578-35	43578-35	each	ROLLER RETAINER, FRONT & REAR WHEELS, BIG TWIN 1936-1966
A-43650-82	43650-82	pk-5	SPACER, WHEEL HUB, RIGHT SIDE, BIG TWIN 1982-1999
A-43556-35	43556-35	each	BEARING SLEEVE, WHEEL HUB, FRONT & REAR, BIG TWIN 1936-1972
<b>**WHEEL HUB BEARINGS FOR PART NUMBER 43550-35**</b>			
A-9220-26	9220	pk-26	BEARINGS, WHEEL HUBS (STD) BIG TWIN 1936-1966
A-9221-26	9221	pk-26	BEARINGS, WHEEL HUBS (.0002) BIG TWIN 1936-1966
A-9222-26	9222	pk-26	BEARINGS, WHEEL HUBS (.0004) BIG TWIN 1936-1966
A-9223-26	9223	pk-26	BEARINGS, WHEEL HUBS (.0006) BIG TWIN 1936-1966
A-9224-26	9224	pk-26	BEARINGS, WHEEL HUBS (.0008) BIG TWIN 1936-1966
A-9225-26	9225	pk-26	BEARINGS, WHEEL HUBS (.001) BIG TWIN 1936-1966
A-9226-26	9226	pk-26	BEARINGS, WHEEL HUBS (.002) BIG TWIN 1936-1966

# **\*\*EASTERN MOTORCYCLE PARTS\*\***

## **\*\*SPACERS\*\***

### **\*\*INNER WHEEL HUB\*\***

#### **\*\*WITH & WITHOUT FLANGES\*\***



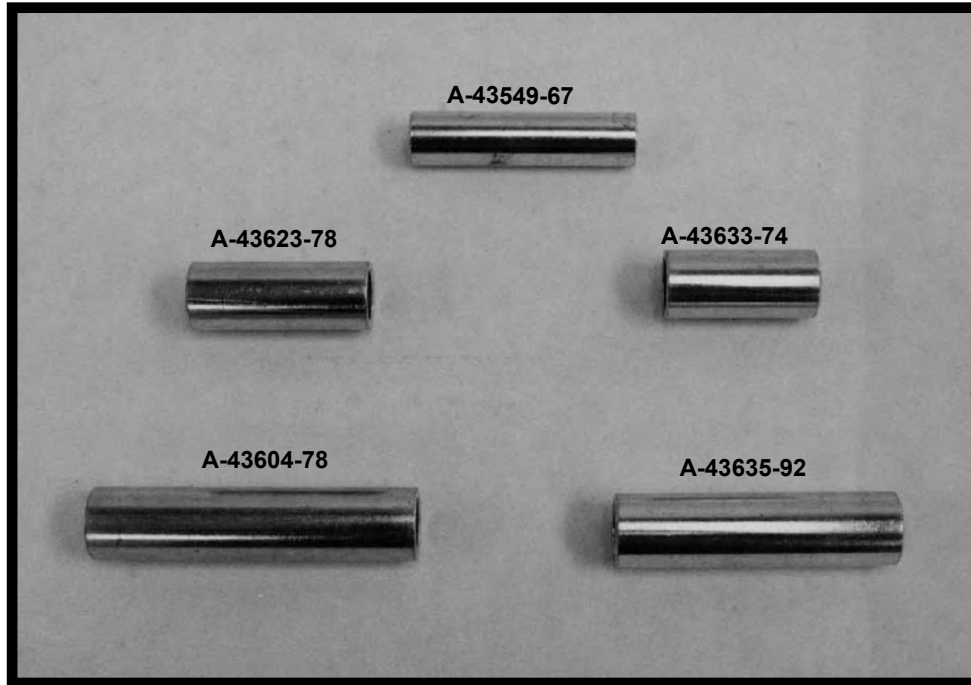
<b>EASTERN NUMBER</b>	<b>REPLACES OEM</b>	<b>DESCRIPTION</b>
A-41349-07	41349-07 each	SPACER, INNER WHEEL HUB, (5.150) <b>**WITHOUT FLANGE**</b> BIG TWIN 2007-PRESENT
A-41748-08	41748-08 each	SPACER, INNER WHEEL HUB, (3.858) <b>**WITHOUT FLANGE**</b> BIG TWIN 2007-PRES. SPORTSTER 2008-PRES.
A-41858-08	41858-08 each	SPACER, INNER WHEEL HUB, (5.870) <b>**WITHOUT FLANGE**</b> SPORTSTER 2008-PRES.
A-41900-08	41900-08 each	SPACER, INNER WHEEL HUB, (5.235) <b>**WITHOUT FLANGE**</b> BIG TWIN 2008-PRESENT
A-43469-77	43469-77 each	SPACER, INNER WHEEL HUB, (FRONT) <b>**WITHOUT FLANGE**</b> SPORTSTER 1978-ONLY
A-43517-00	43517-00 each	SPACER, INNER WHEEL HUB, (4.810) <b>**WITHOUT FLANGE**</b> B/T 2000-P., SP. 2005-P.
A-43549-67	43549-67 each	SPACER, WHEEL HUB, (F&R WHEEL, 3.360) <b>WITHOUT FLANGE**</b> BIG TWIN 1967-1972
A-43601-78A	43601-78A each	SPACER, WHEEL HUB, (ORANGE, 4.420) <b>**WITH FLANGE**</b> B/T 1973-1993, SP. 1982-'93
A-43602-78A	43602-78A each	SPACER, WHEEL HUB, (YELLOW, 4.434) <b>**WITH FLANGE**</b> B/T 1973-1993, SP. 1982-'93
A-43603-78A	43603-78A each	SPACER, WHEEL HUB, (WHITE, 4.448) <b>**WITH FLANGE**</b> B/T 1973-1993, SP. 1992-1993
A-43604-78	43604-78 each	SPACER, WHEEL HUB, (ORANGE, 4.420) <b>*WITHOUT FLANGE*</b> B/T 1973-91, SP. 1982-91
A-43605-78	43605-78 each	SPACER, WHEEL HUB, (YELLOW, 4.434) <b>*WITHOUT FLANGE*</b> B/T 1973-91, SP. 1982-91
A-43606-78	43606-78 each	SPACER, WHEEL HUB, (WHITE, 4.448) <b>*WITHOUT FLANGE*</b> B/T 1973-91, SP. 1982-91
A-43608-00	43608-00 each	SPACER, WHEEL HUB, (ORANGE, 4.810) <b>*WITHOUT FLANGE*</b> B/T 2000-08, SP 2000-04
A-43608-82	43608-82 each	SPACER, WHEEL HUB, (GR-YELLOW, 4.306) <b>**WITHOUT FLANGE**</b> BIG TWIN 1982-P.
A-43612-92	43612-92 each	SPACER, WHEEL HUB, (FRONT, 4.122) <b>**WITHOUT FLANGE**</b> BIG TWIN 1992-1996
40-0210	43613-00 each	SPACER, WHEEL HUB, (3.040) <b>**WITHOUT FLANGE**</b> SPORTSTER 2001-2007
A-43613-92	43613-92 each	SPACER, WHEEL HUB, (FRONT, 2.424) <b>**WITHOUT FLANGE**</b> B/T 1991-96, SP. 1992-07
40-0215	43620-78 each	SPACER, WHEEL HUB, (RED, 3.937) <b>**WITHOUT FLANGE**</b> SPORTSTER 1979-1981
40-0225	43621-78 each	SPACER, WHEEL HUB, (GREEN, 3.951) <b>**WITHOUT FLANGE**</b> SPORTSTER 1979-1981
40-0200	43622-78 each	SPACER, WHEEL HUB, (BLUE, 3.923) <b>**WITHOUT FLANGE**</b> SPORTSTER 1979-1981
A-43623-78	43623-78 each	SPACER, WHEEL HUB, (VIOLET, 2.564) <b>**WITHOUT FLANGE**</b> B/T 1978-'85, SP. 1979-'92
A-43624-78	43624-78 each	SPACER, WHEEL HUB, (PINK, 2.550) <b>**WITHOUT FLANGE**</b> B/T 1978-1985, SP.1979-'92
A-43625-78	43625-78 each	SPACER, WHEEL HUB, (GOLD, 2.536) <b>**WITHOUT FLANGE**</b> B/T 1978-'85, SP. 1979-'92

# **\*\*EASTERN MOTORCYCLE PARTS\*\***

## **\*\*SPACERS\*\***

### **\*\*INNER WHEEL HUB\*\***

### **\*\*WITH & WITHOUT FLANGES\*\***

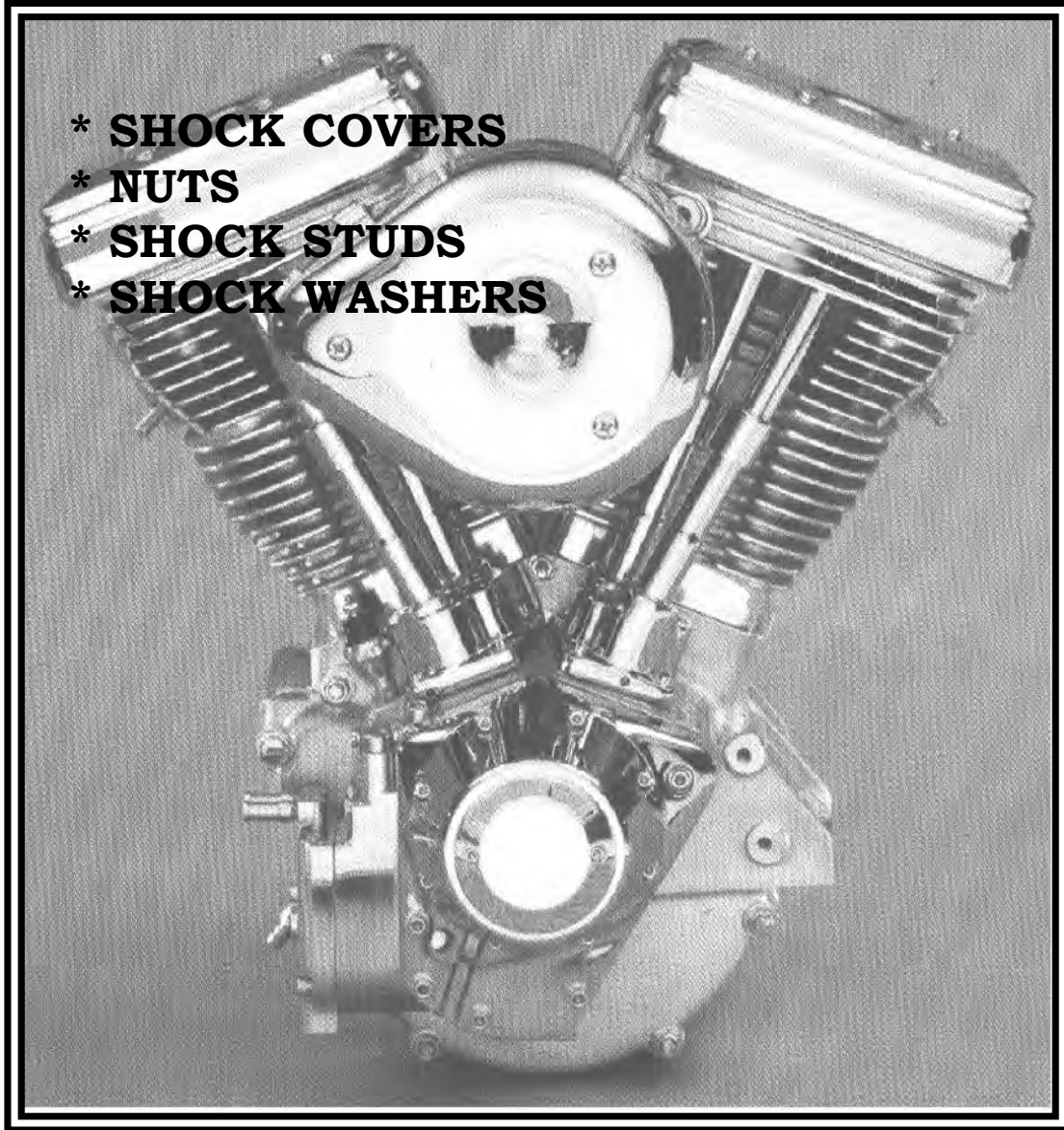


<u>EASTERN NUMBER</u>	<u>REPLACES OEM</u>	<u>DESCRIPTION</u>
A-43630-79	43630-79 each	SPACER, WHEEL HUB, (RED, 3.937) <b>**WITH FLANGE**</b> SPORTSTER 1979-1981
A-43631-79	43631-79 each	SPACER, WHEEL HUB, (GREEN, 3.950) <b>**WITH FLANGE**</b> SPORTSTER 1979-1981
A-43632-79	43632-79 each	SPACER, WHEEL HUB, (BLUE, 3.923) <b>**WITH FLANGE**</b> SPORTSTER 1979-1981
A-43633-74	43633-74 each	SPACER, WHEEL HUB, (RED-WHITE, 2.162) <b>**WITHOUT FLANGE**</b> B/T '73-'84, SP.'73-'78
A-43634-74	43634-74 each	SPACER, WHEEL HUB, (GRE-ORAN, 2.177) <b>**WITHOUT FLANGE**</b> B/T '73-'84, SP.'73-'78
40-0220	43634-92 each	SPACER, WHEEL HUB, (INNER 3.810) <b>**WITH FLANGE**</b>
A-43635-74	43635-74 each	SPACER, WHEEL HUB, (GOLD-VIOL, 2.148) <b>**WITHOUT FLANGE**</b> B/T '73-'84, SP.'73-'78
A-43635-92	43635-92 each	SPACER, WHEEL HUB, (INNER 3.810) <b>**WITHOUT FLANGE**</b>
A-43637-89	43637-89 each	SPACER, WHEEL HUB, (YELL-BLUE, 4.248) <b>**WITHOUT FLANGE**</b> BIG TWIN 1989-1992
A-43638-89	43638-89 each	SPACER, WHEEL HUB, (RED-BLUE, 4.234) <b>**WITHOUT FLANGE**</b> BIG TWIN 1989-1992
A-43658-89	43658-89 each	SPACER, WHEEL HUB, (WHITE-BLUE, 4.262) <b>**WITHOUT FLANGE**</b> BIG TWIN 1989-1992
40-0230	43668-82 each	SPACER, WHEEL HUB, (INNER 4.306) <b>**WITH FLANGE**</b> B/T 1987-1997, SP. 1992-1999
A-43740-64	43740-64 each	SPACER, WHEEL HUB, <b>**WITH FLANGE**</b> SPORTSTER 1952-1972
A-43745-73	43745-73 each	SPACER, WHEEL HUB, (2.166) <b>**WITHOUT FLANGE**</b> SPORTSTER 1973-1978
A-43905-08	43905-08 each	SPACER, INNER WHEEL HUB, (5.250) <b>**WITHOUT FLANGE**</b> B/T 2008-P., SP.2008-PRES.
A-43906-08	43906-08 each	SPACER, INNER WHEEL HUB, (3.280) <b>**WITHOUT FLANGE**</b> B/T 2008-P., SP.2008-PRES.



**\*\*REAR SHOCKS\*\***

- \* **SHOCK COVERS**
- \* **NUTS**
- \* **SHOCK STUDS**
- \* **SHOCK WASHERS**

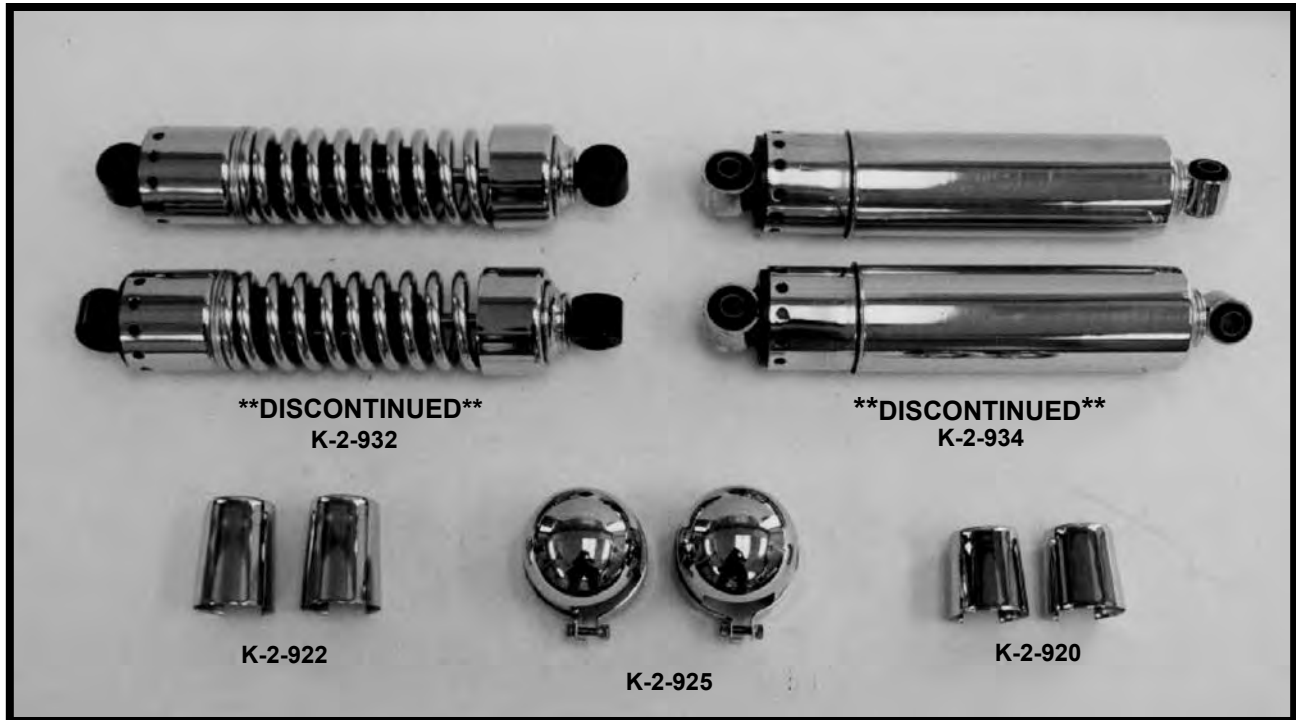


# **\*\*EASTERN MOTORCYCLE PARTS\*\***

## **\*\*REAR SHOCKS\*\***

### **\*\*AND COVERS\*\***

### **\*\*BIG TWIN-SPORTSTER\*\***



#### **EASTERN NUMBER**

#### **REPLACES OEM**

#### **DESCRIPTION**

K-2-928	54500-58 pair	REAR SHOCKS, **13-1/2" LONG**(WITHOUT COVERS) <b>**CHROME**</b> BIG TWIN 1958-1972
K-2-937	54543-65 pk-10	WASHER CUPS, SHOCK ABSORBER **3/8 ID, CHROME** B/T 1965-1972, SP. 1965-1974
K-2-938	54545-65 pk-10	WASHER CUPS, SHOCK ABSORBER **1/2 ID, CHROME** B/T 1965-1972, SP. 1965-1974
K-2-940	54544-65 pk-10	WASHER CUPS, SHOCK ABSORBER **5/8 ID, CHROME** B/T 1965-1972, SP. 1965-1974
K-2-925	54704-52 pair	SHOCK ABSORBER TOP COVERS, <b>**CHROME**</b> BIG TWIN 1958-1964, SP. 1952-1964
	54705-52	
K-2-920	54704-65T pair	SHOCK STUD COVERS, (SHORT) <b>**CHROME**</b> BIG TWIN 1970-1984, SPORT. 1965-1974
K-2-922	54704-75 pair	SHOCK STUD COVERS, (LONG) <b>**CHROME**</b> BIG TWIN 1965-1970, SPORT. 1975-1978
44-0510	85210-42A pk-4	RUBBER BUSHINGS, REAR SHOCKS, <b>**SPLIT/HALFS**</b> B/T 1958-1972, SP. 1954-1974
A-85210-42A	85210-42A pk-10	RUBBER BUSHINGS, REAR SHOCKS, <b>**1-PIECE**</b> BIG TWIN 1958-1972, SP. 1954-1974

# **\*\*EASTERN MOTORCYCLE PARTS\*\***

## **\*\*SHOCK STUDS\*\***

### **\*\*WASHERS AND NUTS\*\***

#### **\*\*BIG TWIN-SPORTSTER\*\***

#### **\*\*MASTER LISTING\*\***



V-13-218



#### **EASTERN NUMBER**

#### **REPLACES OEM**

#### **DESCRIPTION**

V-13-218	5960W	pair	SPACERS, SHOCK STUDS <b>**ZINC PLATED**</b> BIG TWIN 1965-1985	
35-0532	7775	pk-10	NYLOCK NUT, <b>**CADMIUM PLATED**</b> (3/8 X24 THREAD) BIG TWIN-SPORTSTER	
35-0558	7993	pk-10	NYLOCK NUT, <b>**CADMIUM PLATED**</b> (5/8 X18 THREAD) BIG TWIN-SPORTSTER	
32-0333	54515-56B	each	SHOCK STUD, (UPPER) <b>**ZINC PLATED**</b> SPORTSTER 1956-1974	<b>**MADE IN U.S.A.**</b>
32-0336	54515-58A	each	SHOCK STUD, (UPPER) <b>**ZINC PLATED**</b> BIG TWIN 1958-1966	<b>**MADE IN U.S.A.**</b>
32-0344	54515-67	each	SHOCK STUD, (UPPER) <b>**ZINC PLATED**</b> BIG TWIN 1967-1972	<b>**MADE IN U.S.A.**</b>
32-0348	54515-73	each	SHOCK STUD, (UPPER) <b>**ZINC PLATED**</b> BIG TWIN 1973-1986	<b>**MADE IN U.S.A.**</b>
32-0352	54515-75	each	SHOCK STUD, (UPPER) <b>**ZINC PLATED**</b> SPORTSTER 1975-1978	<b>**MADE IN U.S.A.**</b>
32-0358	54516-72	each	SHOCK STUD, (LOWER) <b>**ZINC PLATED**</b> SPORTSTER 1956-1974	<b>**MADE IN U.S.A.**</b>
32-0364	54516-75	each	SHOCK STUD, (LOWER) <b>**ZINC PLATED**</b> SPORTSTER 1975-1978	<b>**MADE IN U.S.A.**</b>
32-0368	54517-58	each	SHOCK STUD, (LOWER) <b>**ZINC PLATED**</b> BIG TWIN 1958-1965	<b>**MADE IN U.S.A.**</b>
32-0339	54517-65	each	SHOCK STUD, (LOWER) <b>**ZINC PLATED**</b> BIG TWIN 1965-1967	<b>**MADE IN U.S.A.**</b>
32-0372	54517-67	each	SHOCK STUD, (LOWER) <b>**ZINC PLATED**</b> BIG TWIN 1967-1972	<b>**MADE IN U.S.A.**</b>
K-2-937	54543-65	pk-10	WASHER, <b>**CUP STYLE**</b> (3/8 I.D.) <b>**CHROME**</b> BIG TWIN 1965-1972, SPORT 1965-1974	
K-2-940	54544-65	pk-10	WASHER, <b>**CUP STYLE**</b> (5/8 I.D.) <b>**CHROME**</b> BIG TWIN 1965-1972, SPORT 1965-1974	
K-2-938	54545-65	pk-10	WASHER, <b>**CUP STYLE**</b> (1/2 I.D.) <b>**CHROME**</b> BIG TWIN 1965-1972, SPORT 1965-1974	

**\*\*BRAKES\*\***

**\*\*CABLES\*\***

**\*\*BRAKE HOSES\*\***

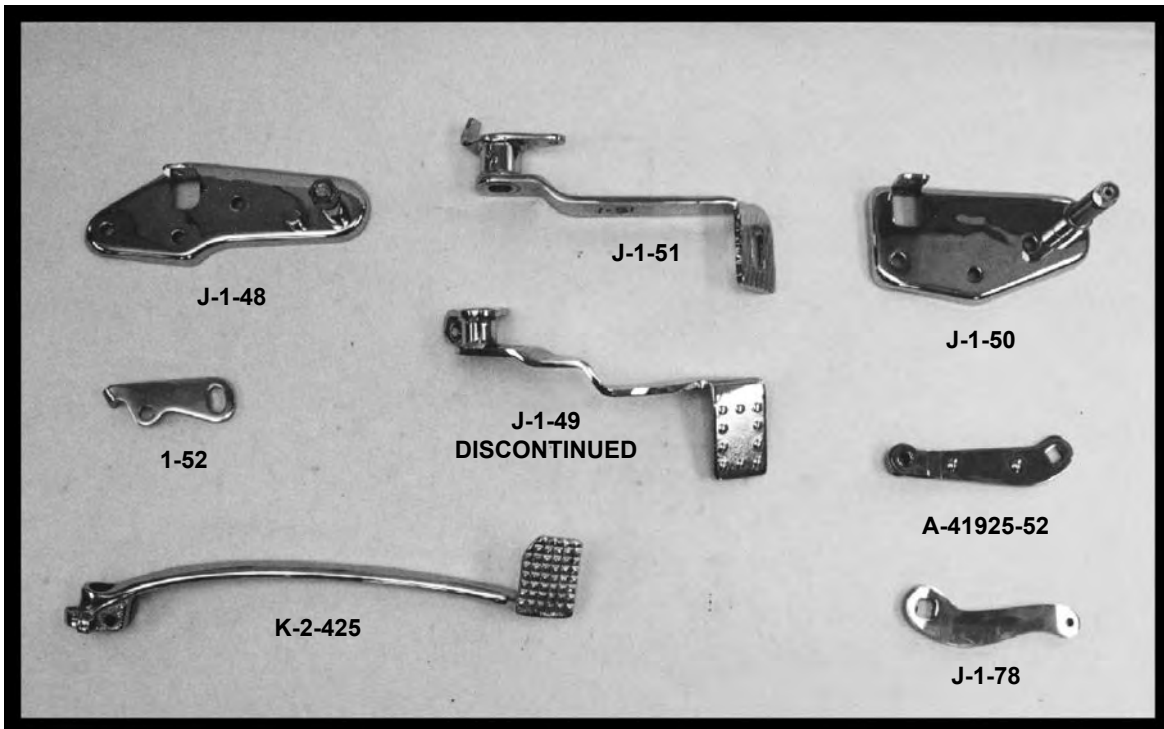
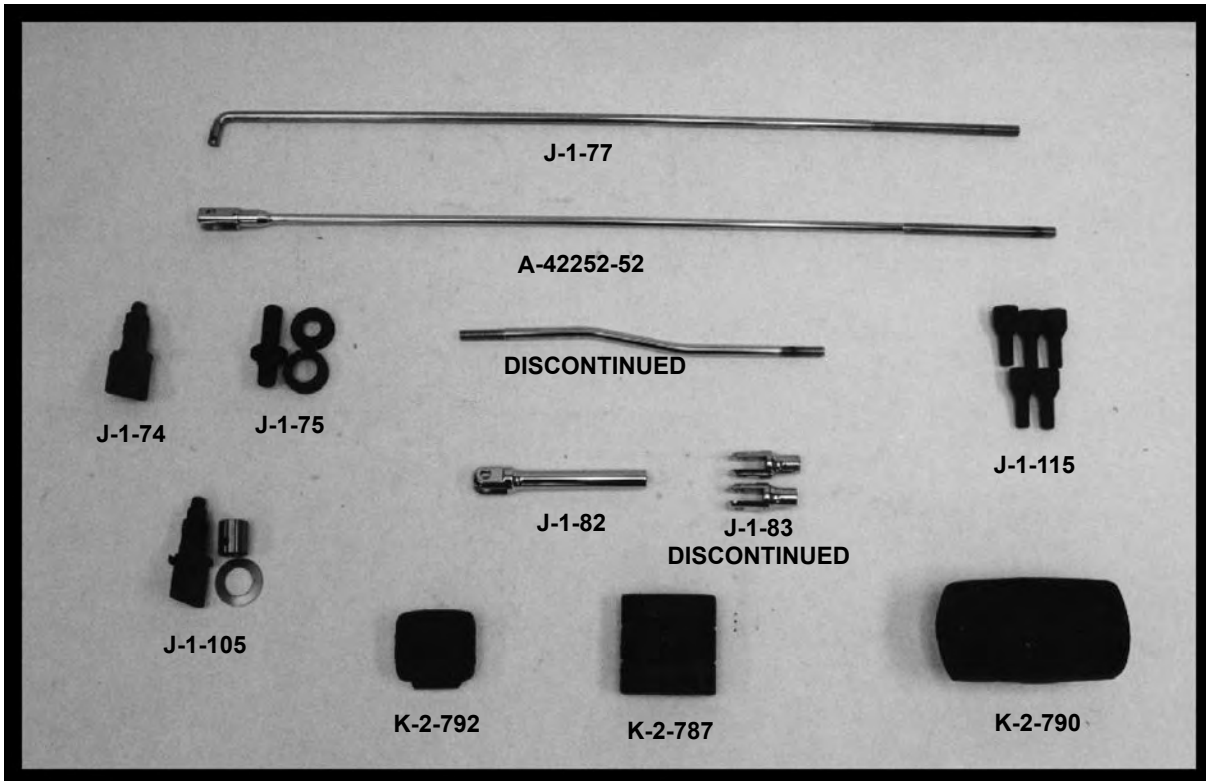
- 
- \* BACKING PLATES
  - \* BOLTS
  - \* BRAKE CALIPER RELATED PARTS
  - \* BRAKE DRUMS
  - \* BRAKE HOSES
  - \* BRAKE LINES (STEEL)
  - \* BRAKE PEDALS
  - \* BRAKE PEDAL KITS
  - \* BRAKE SHOES AND PADS
  - \* CABLES: BRAKE, CLUTCH, SPEEDOMETER, TACHOMETER, THROTTLE, IDLER
  - \* CLEVIS PINS
  - \* BRAKE RODS
  - \* BRAKE LEVERS
  - \* LUG BOLTS
  - \* MASTER CYLINDERS AND RELATED PARTS
  - \* MASTER CYLINDER REPAIR PARTS
  - \* RUBBERS
  - \* WHEEL CYLINDERS

**\*\*EASTERN MOTORCYCLE PARTS\*\***

**\*\*FRONT AND REAR BRAKE\*\***

**\*\*RELATED PARTS\*\***

**\*\*BIG TWIN-SPORTSTER\*\***



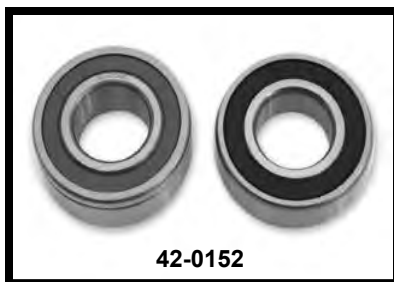
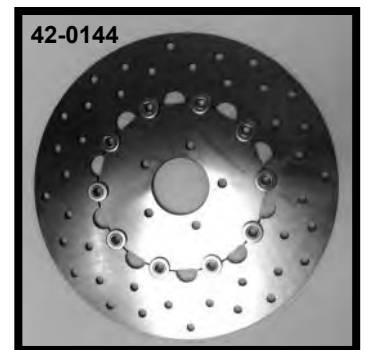
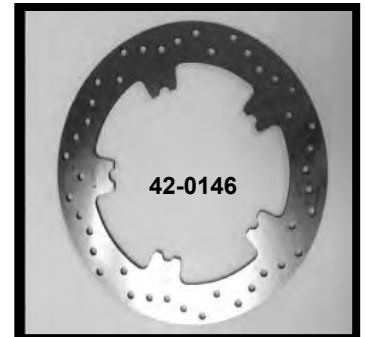
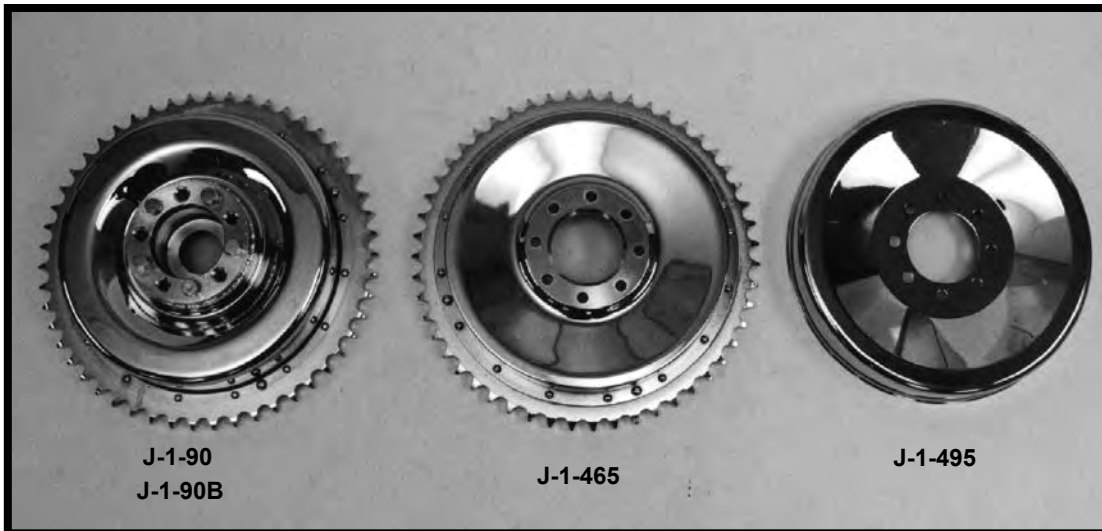
**\*\*CONTINUED NEXT PAGE\*\***

# **\*\*EASTERN MOTORCYCLE PARTS\*\***

## **\*\*FRONT AND REAR BRAKE\*\***

### **\*\*RELATED PARTS\*\***

### **\*\*BIG TWIN-SPORTSTER\*\***



#### **EASTERN NUMBER**

#### **REPLACES OEM**

#### **DESCRIPTION**

A-3680	3680	pk-5	BOLTS ONLY, DISC BRAKE ROTOR <b>**CADMIUM**</b> SPORTSTER 1978-1981
42-0138	9252	each	ABS BEARING, FRONT & REAR WHEELS, <b>**W/SENSOR**</b> BIG TWIN 2008-P, SPORT 2007-P.
42-0152	9252/9276	set-2	BEARING SET, F&R WHEELS, ( <b>INCL: 1-STD and 1-ABS BEARING</b> ) B/T 2008-P., SP 2007-P.
K-2-787	36954-62	each	RUBBER, BRAKE PEDAL, BIG TWIN 1936/LATER
K-2-790	36956-65A	each	BRAKE PEDAL AND RUBBER PAD, BIG TWIN 1965-1979
A-41191-74	41191-74	pk-5	BOLTS ONLY, FRONT SINGLE DISC ROTOR, <b>**CADMIUM**</b> B/T 1974-1977, SP. 1974-1977
A-41198-73	41198-73	pk-5	BOLTS ONLY, DISC BRAKE ROTOR <b>**CADMIUM**</b> BIG TWIN 1973-1991
A-41198-73C	41198-73	pk-5	BOLT AND NUT KIT, DISC BRAKE ROTOR <b>**CHROME**</b> BIG TWIN 1973-1991
J-1-90	41401-37	each	BRAKE DRUM, (MECHANICAL) <b>**CHROME**</b> BIG TWIN 1936-1957
J-1-465	41401-52	each	BRAKE DRUM, (MECHANICAL) <b>**CHROME**</b> SPORTSTER 1952-1978
J-1-90B	41401-58	each	BRAKE DRUM, (HYDRAULIC) <b>**CHROME**</b> BIG TWIN 1958-1962
J-1-91	41420-30	each	DUST SHIELD, REAR BRAKE DRUM, <b>**MECHANICAL**</b> BIG TWIN 1936-1957
A-41421-35	41421-35	each	DUST SHIELD, REAR BRAKE DRUM, FORTY-FIVE 1932-1973
J-1-118	41425-37	pk-5	DOWEL PINS, REAR BRAKE DRUM, BIG TWIN 1936-1972
J-1-74	41671-37	each	BRAKE CAM, BACKING PLATE/BRAKE SHOES, <b>**MECHANICAL**</b> BIG TWIN 1936-1957
A-41685-37	41685-37	each	BUSHING, BACKING PLATE (STEEL) BIG TWIN 1937-1957
A-41685-88	41685-37	each	BUSHING, BACKING PLATE (STEEL) <b>**0.015 O/S**</b> BIG TWIN 1937-1957
A-41691-31	41691-31	pk-5	WASHER, BACKING PLATE CAM <b>**BRONZE**</b> BIG TWIN 1937-1957

**\*\*CONTINUED NEXT PAGE\*\***

**\*5120 HILDA ROAD\* BLACKVILLE, S.C. 29817\* 803-284-3304\***

**\*Pg 339\***

# **\*\*EASTERN MOTORCYCLE PARTS\*\***

## **\*\*FRONT AND REAR BRAKE\*\***

### **\*\*RELATED PARTS\*\***

### **\*\*BIG TWIN-SPORTSTER\*\***

<b><u>EASTERN NUMBER</u></b>	<b><u>REPLACES OEM</u></b>		<b><u>DESCRIPTION</u></b>
A-41814-76	41814-76	each	SPACER, FRONT BRAKE ROTOR **PLAIN STEEL** BIG TWIN 1972-1978
J-1-75	41870-38	each	PIVOT STUD & CUPS, BACKING PLATE, (MECHANICAL) BIG TWIN 1936-1957
	41872-38		
	41875-38		
A-41925-52	41925-52A	each	LEVER, BRAKE CAM, (MECHANICAL) SPORTSTER 1954-1978
J-1-78	41929-36	each	REAR BRAKE LEVER, (MECHANICAL) **CHROME** BIG TWIN 1936-1957
42-0144	42040-06	each	ROTOR, FRONT DISC BRAKE ( <b>SPOKED WHEEL</b> ) **STAINLESS** BIG TWIN 2006-2015
A-42252-52	42252-52	each	BRAKE ROD, REAR 22-5/16" LONG, (MECHANICAL) SPORTSTER 1952-1966
A-42253-67	42253-67	each	BRAKE ROD, REAR 23-7/8" LONG, (MECHANICAL) SPORTSTER 1967-1974
J-1-77	42257-36	each	BRAKE ROD, REAR 23" LONG, (MECHANICAL) (CHROME) BIG TWIN 1936-1957
A-42264-52	42264-52	each	NUT, REAR BRAKE ROD, **CHROME** SPORTSTER 1954-1978
J-1-84	42269-30	pk-10	CLEVIS PINS, WITH WASHERS & COTTER PINS, BIG TWIN 1935-1957, SP. 1954-1974
J-1-84A	42269-70	pk-10	CLEVIS PINS, WITH WASHERS & COTTER PINS, BIG TWIN 1970-1996, SP. 1975-1978
J-1-82	42273-30	each	CLEVIS, REAR BRAKE ROD, (LONG) **CHROME** BIG TWIN 1936-1957
A-42308-78	42308-78	each	BRAKE LINE TEE, (FRONT) **CHROME** BIG TWIN E/1978-1979. SPORTSTER E/1978-'79
A-42309-70	42309-70	each	BRAKE LINE TEE, (REAR) **CHROME** BIG TWIN 1970-1984
J-1-83	42333-30	pair	CLEVIS, FRONT BRAKE ROD **CHROME** (SHORT) BIG TWIN 1936-1957
J-1-51	42402-73A	each	BRAKE PEDAL, **CHROME** BIG TWIN 1970-1984
K-2-425	42410-52	each	BRAKE LEVER PEDAL, **CHROME** SPORTSTER 1954-1974
J-1-52	42411-70	each	BRAKE PEDAL STOP PLATE, **CHROME** BIG TWIN 1970-1984
A-42426-58	42426-58	each	SPRINGS, BRAKE PEDAL RETURN, **ZINC PLATED** SPORTSTER 1958-1969
J-1-88	42480-36	each	BACKING PLATE, **CHROME** BIG TWIN 1937-1957
J-1-48	42480-59	each	BACKING PLATE, BRAKE PEDAL, (HYDRAULIC) **CHROME** BIG TWIN 1958-1969
J-1-50	42480-73	each	BACKING PLATE, BRAKE PEDAL, **CHROME** BIG TWIN 1970-1984
K-2-792	42532-82	each	RUBBER PAD WITH STUD, **FOR BRAKE PEDAL** BIG TWIN 1983-1999
J-1-73	42550-31	each	CROSS OVER SHAFT, MECHANICAL BRAKE, BIG TWIN 1936-1957
J-1-115	43530-35A	pk-5	LUG BOLT SET, REAR BRAKE DRUMS, **BLACK OXIDE** BIG TWIN 1936-1972
J-1-115C	43530-35D	pk-5	LUG BOLT SET, REAR BRAKE DRUMS, **CHROME** BIG TWIN 1936-1972
A-43567-79	43567-79	pk-5	BOLTS ONLY, DISC BRAKE ROTOR **CADMIUM** BIG TWIN 1981-PRES., SPORT. 1979-P.
A-44310-77	44310-77	each	BRAKE LINE TEE, (FRONT) **CHROME** BIG TWIN 1977-1982, SPORTSTER 1977-1981
A-44311-80	44311-80	each	BRAKE LINE TEE, (FRONT) **CHROME** BIG TWIN 1980-1982, SPORTSTER 1980-1982
A-44448-48	44448-48	each	PIVOT STUD, FRONT BRAKE DRUM, BIG TWIN 1949-1971
J-1-75A	44475-35	each	LOCK PLATE FOR PIVOT STUD, **CHROME** BIG TWIN 1936-1957
42-0146	44553-06A	each	ROTOR, FRONT DISC BRAKE ( <b>CAST WHEEL</b> ) **STAINLESS** BIG TWIN 2006-2015
Y-21-425	45159-50	each	ADJUSTING SCREW, FRONT BRAKE CABLE **CHROME** B/T 1949-1972, SP. 1952-1972
A-45162-41	45162-41	each	ADJUSTMENT SCREW, FRONT BRAKE, **BLACK** BIG TWIN 1941-1948, F/F 1949-1952
A-45172-28	45172-28	each	CLEVIS, FRONT BRAKE, **BLACK** BIG TWIN 1928-1948, FORTY-FIVE 1949-1952
Y-21-428	45200-60	each	BRAKE TUBE, FRONT BRAKE CABLE, **CHROME** BIG TWIN 1960-1972
Y-21-431	45203-52	each	BRAKE TUBE, FRONT BRAKE CABLE, **CHROME** SPORTSTER 1952-1972
A-83566-51	83566-51	each	BRAKE LINE TEE, (REAR) **CHROME** BIG TWIN 1958-1969, SERVI-CAR 1951-1954
J-1-495		each	COVER, BRAKE DRUM **FIT ON BRAKE DRUM 1-465** (CHROME) SPORTSTER 1954-'78
J-1-15		each	BRAKE PEDAL KIT, (CHROME) BIG TWIN 1958-1969
J-1-16		each	BRAKE PEDAL KIT, (CHROME) BIG TWIN 1970-1978
J-1-17		each	BRAKE PEDAL KIT, (CHROME) BIG TWIN 1979-1984
K-2-411		each	COVER, FRONT DISC ROTOR, **CHROME** BIG TWIN 1972-PRESENT
J-1-105		kit	BACKING PLATE KIT, CAM, BUSHING AND WASHER, BIG TWIN 1937-1957 KIT INCLUDES: (1ea) 1-74, 41685-37, 41691-31

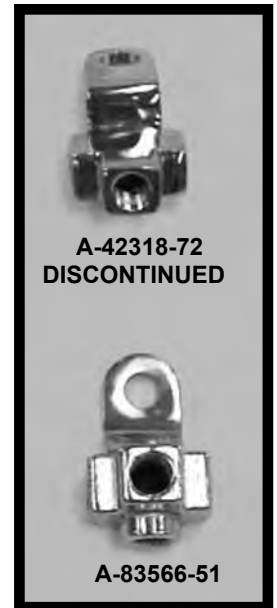
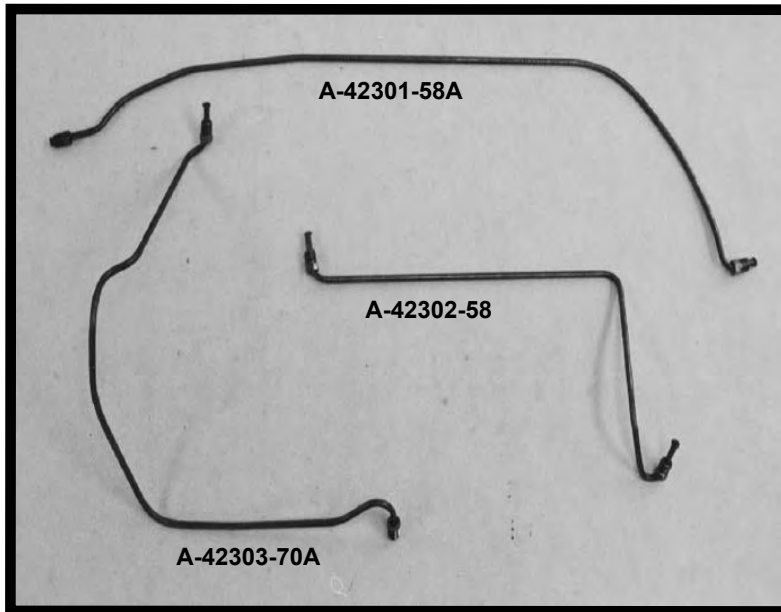


# **\*\*EASTERN MOTORCYCLE PARTS\*\***

## **\*\*BRAKE HOSES\*\***

### **\*\*STEEL BRAKE LINES\*\***

#### **\*\*BIG TWIN-SPORTSTER\*\***



**\*\*ALL BRAKE HOSES ARE SOLD EACH\*\***

<u>EASTERN NUMBER</u>	<u>REPLACES OEM</u>		<u>DESCRIPTION</u>
A-40956-82	40956-82		BRAKE HOSE, <b>**REAR**</b> BIG TWIN 1982-1987
A-41004-82	41004-82		BRAKE TUBE, <b>**REAR**</b> BIG TWIN 1983-1984
A-41033-82	41033-82		BRAKE HOSE, <b>**REAR**</b> BIG TWIN 1983-1986
A-42301-58A	42301-58A		REAR BRAKE LINE, <b>**STEEL** (CAD)</b> BIG TWIN 1958-1969
A-42302-58	42302-58		FRONT BRAKE LINE, <b>**STEEL** (CAD)</b> BIG TWIN 1958-1969
A-42303-70A	42303-70A		REAR BRAKE LINE, <b>**STEEL** (CAD)</b> BIG TWIN 1970-1972
A-42304-70A	42304-70A		FRONT BRAKE LINE, <b>**STEEL** (CAD)</b> BIG TWIN 1970-E/1979
A-42304-79	42304-79		FRONT BRAKE LINE, <b>**STEEL** (CAD)</b> BIG TWIN L/1979-E/1984
A-42308-78	42308-78	each	BRAKE LINE TEE, <b>(FRONT) **CHROME**</b> BIG TWIN E/1978-1979. SPORTSTER E/1978-'79
A-42309-70	42309-70	each	BRAKE LINE TEE, <b>(REAR) **CHROME**</b> BIG TWIN 1970-1984
A-42320-82	42320-82		BRAKE TUBE, <b>**REAR** (STEEL LINE)</b> BIG TWIN 1983-1985
A-42484-81	42484-81		BRAKE LINE, FRONT MASTER CYLINDER <b>**STEEL** (CHROME)</b> SPORTSTER 1981-1986
A-44310-77	44310-77	each	BRAKE LINE TEE, <b>(FRONT) **CHROME**</b> BIG TWIN 1977-1982, SPORTSTER 1977-1981
A-44311-80	44311-80	each	BRAKE LINE TEE, <b>(FRONT) **CHROME**</b> BIG TWIN 1980-1982, SPORTSTER 1980-1982
A-44437-77	44437-77		BRAKE LINE, FRONT MASTER CYLINDER <b>**STEEL** (CHROME)</b> SPORTSTER 1979-ONLY
A-44438-86	44438-86A		BRAKE HOSE, <b>**REAR**</b> SPORTSTER 1986-1987

**\*\*CONTINUED ON NEXT PAGE\*\***

**\*5120 HILDA ROAD\* BLACKVILLE, S.C. 29817\* 803-284-3304\***

**\*Pg 341\***

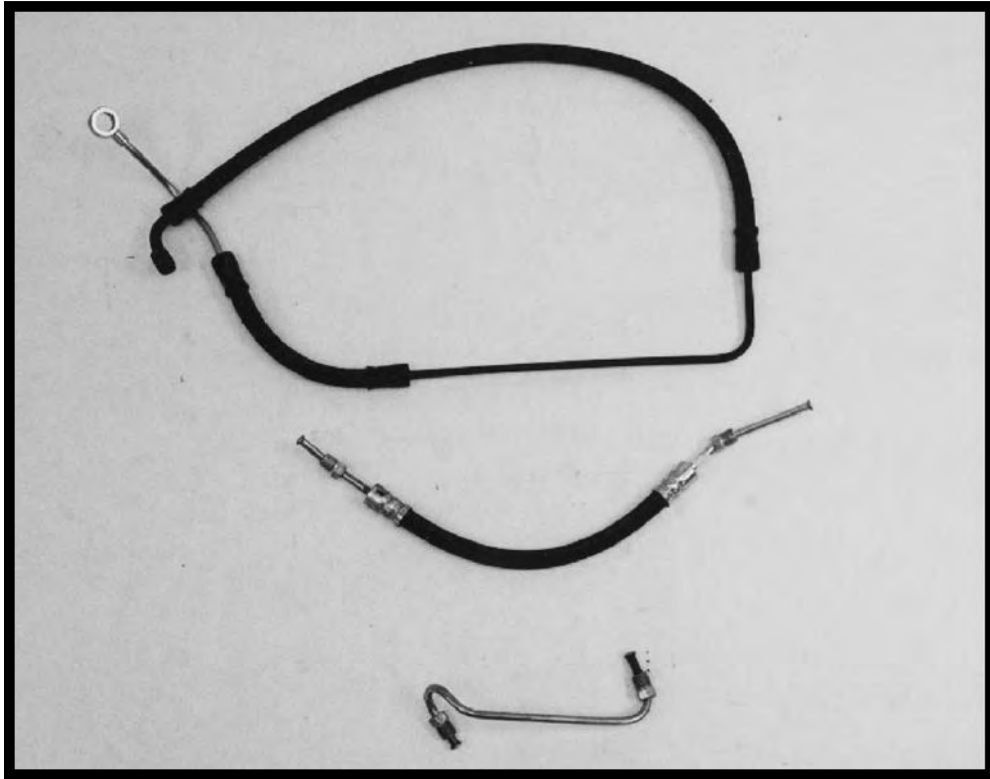


# **\*\*EASTERN MOTORCYCLE PARTS\*\***

## **\*\*BRAKE HOSES\*\***

### **\*\*STEEL BRAKE LINES\*\***

### **\*\*BIG TWIN-SPORTSTER\*\***



**\*\*ALL BRAKE LINES ARE SOLD EACH\*\***

<u>EASTERN NUMBER</u>	<u>REPLACES OEM</u>	<u>DESCRIPTION</u>
A-45112-84B	45112-84B	BRAKE HOSE, SINGLE DISC, **FRONT** BIG TWIN 1984-1996
A-45112-84+2"		BRAKE HOSE, SINGLE DISC, **FRONT** (2" OVERSIZE) BIG TWIN 1984-1996
A-45112-84+4"		BRAKE HOSE, SINGLE DISC, **FRONT** (4" OVERSIZE) BIG TWIN 1984-1996
A-45113-84A	45113-84A	BRAKE HOSE, SINGLE DISC, **FRONT** BIG TWIN 1984-1986
A-45113-84+2"		BRAKE HOSE, SINGLE DISC, **FRONT** (2" OVERSIZE) BIG TWIN 1984-1986
A-45113-84+4"		BRAKE HOSE, SINGLE DISC, **FRONT** (4" OVERSIZE) BIG TWIN 1984-1986
A-45121-77+6"		BRAKE HOSE, DUAL DISC, **FRONT** (6" OVERSIZE) B/T 1978-1982, SP. 1978-1982
A-45122-84A	45122-84A	BRAKE HOSE, SINGLE DISC, **FRONT** SPORTSTER 1984-1985
A-45124-84A	45124-84A	BRAKE HOSE, SINGLE DISC, **FRONT** BIG TWIN 1984-1985
A-45130-83	45130-83	BRAKE HOSE, DUAL DISC, **FRONT** SPORTSTER 1983-ONLY
A-45150-79	45150-79	BRAKE TUBE, (REAR)**STEEL LINE** BIG TWIN 1979-1983
A-45154-84	45154-84	REAR BRAKE LINE, **STEEL** (CAD) BIG TWIN 1984-E/1987
A-45154-CHR	45154-84	REAR BRAKE LINE, **STEEL** (CHROME) BIG TWIN 1984-E/1987
A-83566-51	83566-51	each BRAKE LINE TEE, (REAR) **CHROME** BIG TWIN 1958-1969, SERVI-CAR 1951-1954

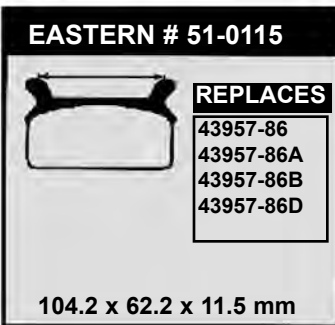
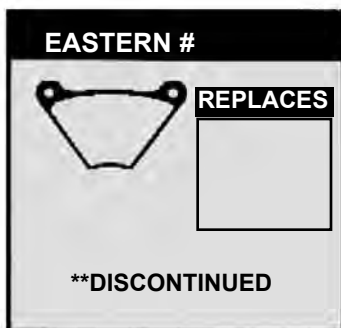
# \*\*EASTERN MOTORCYCLE PARTS\*\*

## \*\*BRAKE PADS\*\*

\*\*BY EMGO\*\*

\*\*BIG TWIN-SPORTSTER\*\*

\*\*SINTERED MATERIAL\*\*

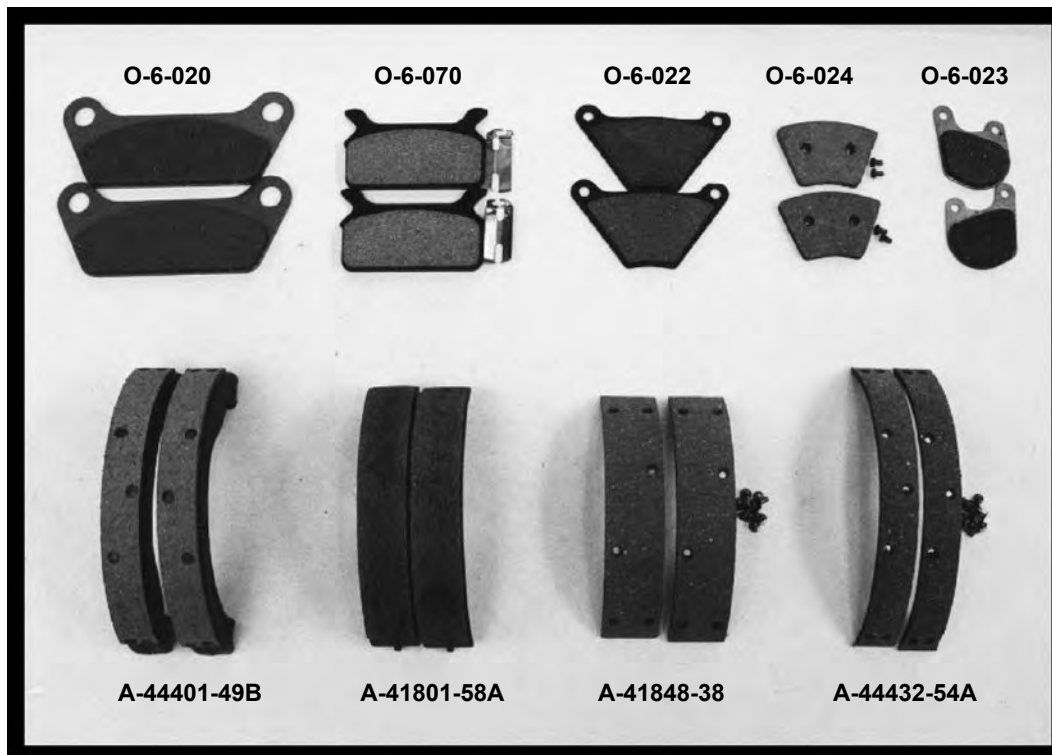


<u>EASTERN NUMBER</u>	<u>REPLACES OEM</u>	<u>DESCRIPTION</u>
51-0135	42298-08 pair	DISC BRAKE PADS, **REAR CALIPER** BIG TWIN 2008-PRESENT
51-0111	43395-80 pair	DISC BRAKE PADS, **FRONT & REAR** BIG TWIN 1980-1983, SPORTSTER 1978-1981
	44031-79	
51-0113	43957-80 pair	DISC BRAKE PADS, **REAR CALIPER** BIG TWIN 1980-1985
51-0115	43957-86E pair	DISC BRAKE PADS, **REAR CALIPER** (HAYES CALIPER) BIG TWIN 1986-1999
51-0119	44032-77 pair	DISC BRAKE PADS, **FRONT CALIPER** (DUAL) BIG TWIN 1977-1983, SPORT. 1978-1983
	44032-79	
51-0117	44063-83 pair	DISC BRAKE PADS, **FRONT DISC** (SINGLE/DUAL) BIG TWIN 1984-'99, SPORT. 1984-99
51-0123	44209-82 pair	DISC BRAKE PADS, **REAR CALIPER** (GIRLING) BIG TWIN 1982-E/1987
51-0125	44209-87C pair	DISC BRAKE PADS, **REAR CALIPER** (HAYES CALIPER) B/T L/1987-'96, SP. L/1987-'98
51-0127	44281-74 pair	DISC BRAKE PADS, **FRONT CALIPER** (SINGLE) BIG TWIN 1974-1977, SP. 1974-1977
44337-08	44337-08 kit-4	KIT, ANTI-RATTLE SPRINGS/CLIPS (BRAKE PADS) SPORTSTER 2008-2016

# **\*\*EASTERN MOTORCYCLE PARTS\*\***

## **\*\*BRAKE SHOES\*\***

### **\*\*LININGS AND PADS\*\***



#### **EASTERN NUMBER**

#### **REPLACES OEM**

#### **DESCRIPTION**

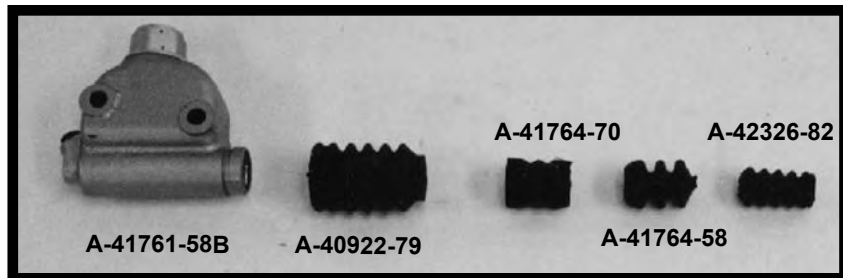
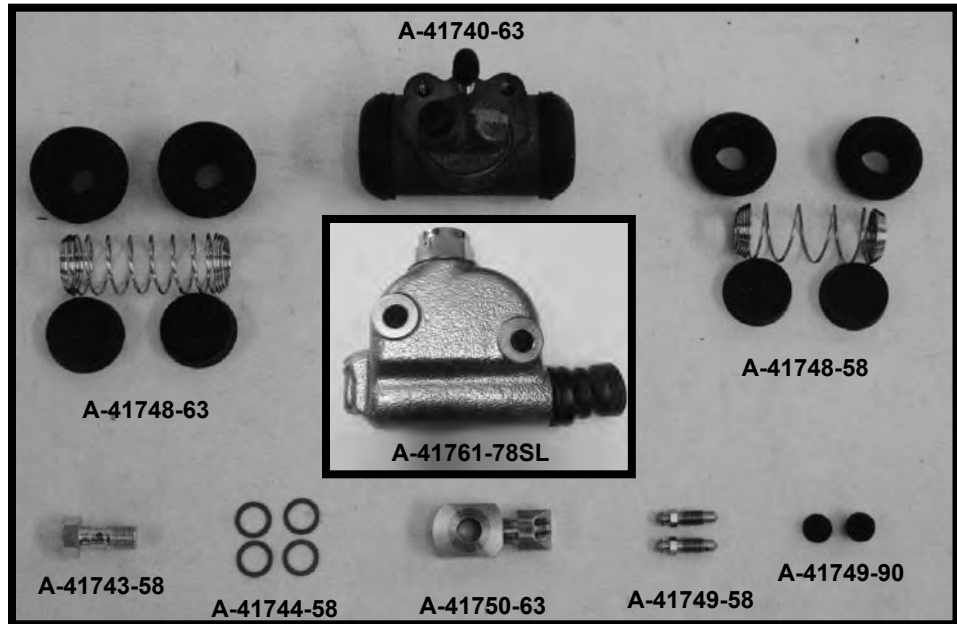
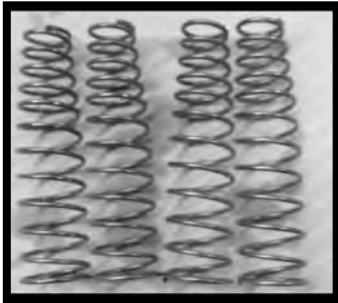
J-1-74	41671-37	each	CAM, BRAKE SHOES, **MECHANICAL DRUM** BIG TWIN 1937-1957
A-41801-58A	41801-58A	pair	BRAKE SHOES, REAR BRAKE DRUM, **HYDRAULIC** BIG TWIN 1958-1962
A-41801-63	41801-63	pair	BRAKE SHOES, REAR BRAKE DRUM, **HYDRAULIC** BIG TWIN 1963-1972
A-41805-38	41805-38	pair	BRAKE SHOES, REAR BRAKE DRUM, **MECHANICAL** BIG TWIN 1938-1957
A-41808-58	41808-58	pair	BRAKE LININGS W/RIVETS, REAR BRAKE DRUM, **HYDRAULIC** BIG TWIN 1958-1962
A-41808-63	41808-63	pair	BRAKE LININGS W/RIVETS, REAR BRAKE DRUM, **HYDRAULIC** BIG TWIN 1963-1972
A-41835-58	41835-58	pair	RETAINER, REAR BRAKE SHOES, BIG TWIN 1958-1972
A-41841-31	41841-31	pk-25	RIVETS, FOR ALL BRAKE SHOES, **5/16 LONG** (F&R) B/T 1938-1972, SP. 1954-1978
A-41848-38	41848-38	pair	BRAKE LININGS W/RIVETS, REAR BRAKE DRUM, **MECHANICAL** BIG TWIN 1938-1957
A-41848-64	41848-64	pair	BRAKE LININGS W/RIVETS, FRONT BRAKE DRUM, **MECHANICAL** SPORT. 1964-1972
A-41849-41	41849-41	pair	BRAKE LININGS W/RIVETS, REAR BRAKE DRUM, **MECHANICAL** FORTY-FIVE '41-'52
O-6-063	43395-80	pair	DISC BRAKE PADS, **FRONT & REAR** BIG TWIN 1980-1983, SPORTSTER 1978-1981
	44031-79		
O-6-020	43957-80	pair	DISC BRAKE PADS, **REAR CALIPER** BIG TWIN 1980-1985
O-6-070	43957-86E	pair	DISC BRAKE PADS, **REAR CALIPER** (HAYES CALIPER) BIG TWIN 1986-1998
A-44124-72	44124-72	pk-10	PINS, BRAKE PADS, **FRONT & REAR CALIPER** BIG TWIN 1972-1980
O-6-022	44135-74	pair	DISC BRAKE PADS, **FRONT & REAR** BIG TWIN 1972-1980, SPORTSTER 1973-1974
	44005-78		
O-6-023	44032-77	pair	DISC BRAKE PADS, **FRONT CALIPER** (DUAL) BIG TWIN 1977-1983, SP. 1978-1983
	44032-79		
O-6-068	44063-83	pair	DISC BRAKE PADS, **FRONT DISC** (SINGLE/DUAL) BIG TWIN 1984-'99, SP. 1984-1999
O-6-065	44209-82	pair	DISC BRAKE PADS, **REAR CALIPER** (GIRLING) BIG TWIN 1982-E/1987
O-6-072	44209-87C	pair	DISC BRAKE PADS, **REAR CALIPER** (HAYES CALIPER) BIG TWIN L/1987-1996
O-6-024	44281-74	pair	DISC BRAKE PADS, **FRONT CALIPER** (SINGLE) BIG TWIN 1974-1977, SP. 1974-1977
44337-08	44337-08	kit-4	KIT, ANTI-RATTLE SPRINGS/CLIPS (BRAKE PADS) SPORTSTER 2008-2016
A-44401-49B	44401-49B	pair	BRAKE SHOES, REAR BRAKE DRUM, **MECHANICAL** B/T 1949-1971, SP. 1954-1978
A-44427-35	44427-35	pair	BRAKE LININGS W/RIVETS, FRONT BRAKE DRUM, **MECHANICAL** FORTY-FIVE '35-'52
A-44432-54A	44432-54A	pair	BRAKE LININGS W/RIVETS, F&R BRAKE DRUM, **MECHANICAL** B/T '49-'71, SP. '54-'78

**\*5120 HILDA ROAD\* BLACKVILLE, S.C. 29817\* 803-284-3304\***

# **\*\*EASTERN MOTORCYCLE PARTS\*\***

## **\*\*WHEEL CYLINDER\*\* \*\*AND RELATED PARTS\*\***

A-41769-58

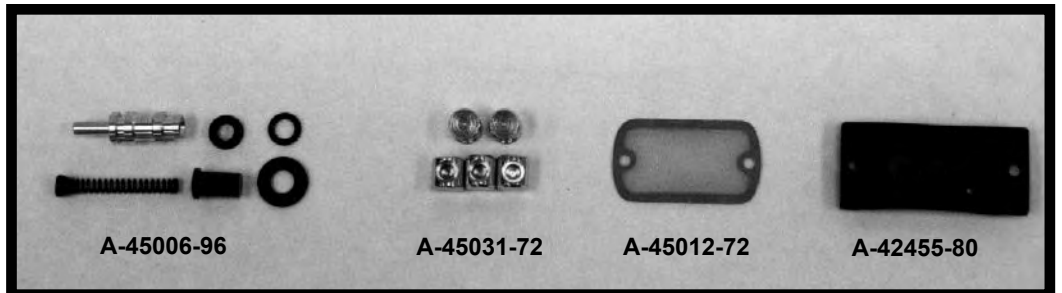
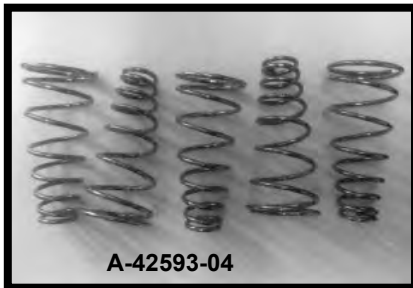
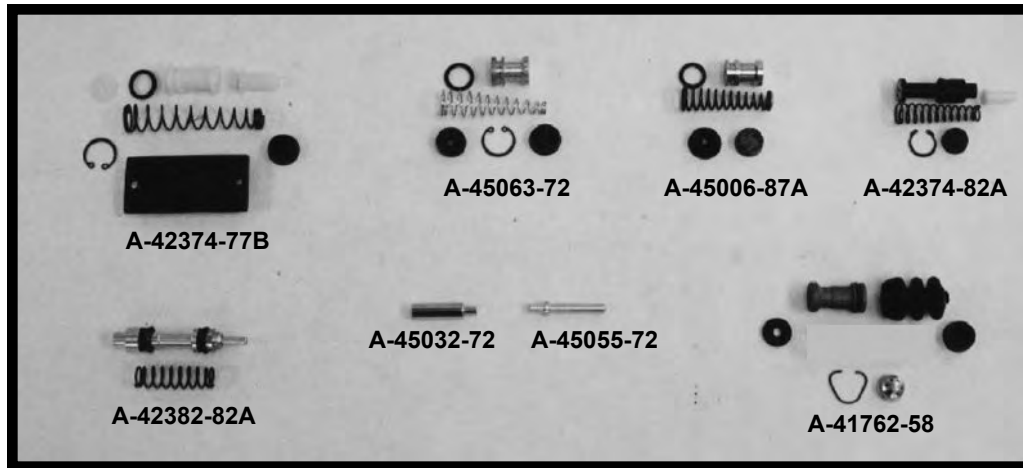


<u>EASTERN NUMBER</u>	<u>REPLACES OEM</u>	<u>DESCRIPTION</u>
A-40922-79	40922-79	pk-5 RUBBER BOOT, REAR BRAKE PLUNGER, BIG TWIN 1980-L/1987, SPORT. 1980-E/1987
M-4-642	40923-79	each BRAKE PLUNGER, MASTER CYLINDER, <b>**CHROME**</b> BIG TWIN 1980-1983
A-41740-58	41740-58	each WHEEL CYLINDER, COMPLETE, <b>**REAR WHEEL**</b> BIG TWIN 1958-1962
A-41740-63	41740-63	each WHEEL CYLINDER, COMPLETE, <b>**REAR WHEEL**</b> BIG TWIN 1963-1972
A-41743-58	41743-58	each BOLT, WHEEL CYLINDER BRAKE HOSE, <b>**ZINC PLATED**</b> BIG TWIN 1958-1972
A-41744-58	41744-58	pk-10 WASHER, FOR WHEEL CYLINDER BOLT, <b>**COPPER**</b> BIG TWIN 1958-1972
A-41745-58	41745-58	each SWIVEL FITTING, WHEEL CYLINDER, <b>**SOLID BRASS**</b> BIG TWIN 1958-1962
A-41748-58	41748-58	each REPAIR KIT, WHEEL CYLINDER, BIG TWIN 1958-1962
A-41748-63	41748-63	each REPAIR KIT, WHEEL CYLINDER, BIG TWIN 1963-1972
A-41749-58	41749-58	pk-10 BLEEDER SCREWS, WHEEL CYL. & DISC CALIPER, BIG TWIN 1958-1979
A-41749-90	41749-90	pk-10 CAP, FOR BLEEDER SCREWS, <b>**RUBBER**</b> BIG TWIN 1958-PRES. SPORT 1973-PRES.
A-41750-63	41750-63	each SWIVEL FITTING, WHEEL CYLINDER, <b>**SOLID BRASS**</b> BIG TWIN 1963-1972
A-41761-58B	41761-58B	each MASTER CYLINDER, COMPLETE, <b>**BLACK**</b> BIG TWIN 1958-1972 <b>**IMPORTED**</b>
A-41761-78B	41761-78	each MASTER CYLINDER, COMPLETE, <b>**BLACK**</b> BIG TWIN 1973-1979 <b>**IMPORTED**</b>
A-41761-78SL	41761-78	each MASTER CYLINDER, COMPLETE, <b>**SILVER**</b> BIG TWIN 1973-1979 <b>**IMPORTED**</b>

# **\*\*EASTERN MOTORCYCLE PARTS\*\***

## **\*\*MASTER CYLINDER\*\***

### **\*\*FRONT HANDLEBAR\*\***



#### **EASTERN NUMBER**

#### **REPLACES OEM**

#### **DESCRIPTION**

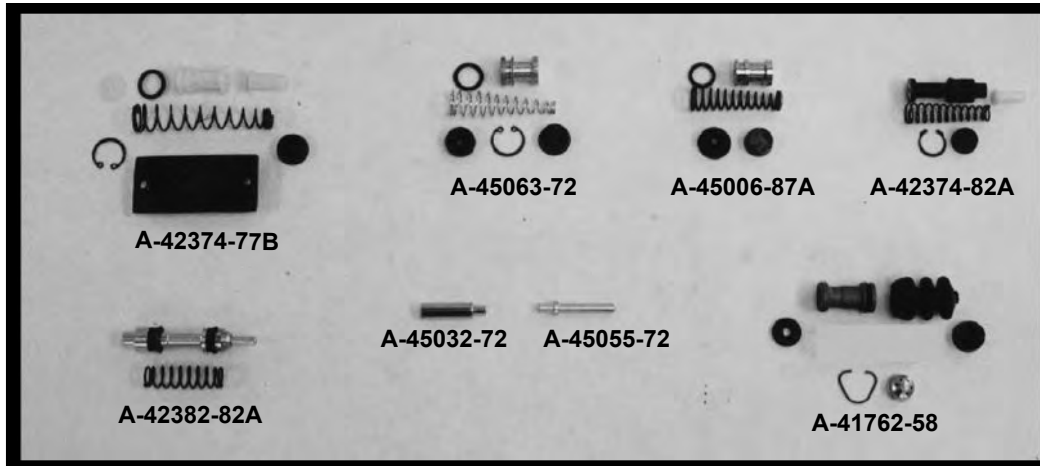
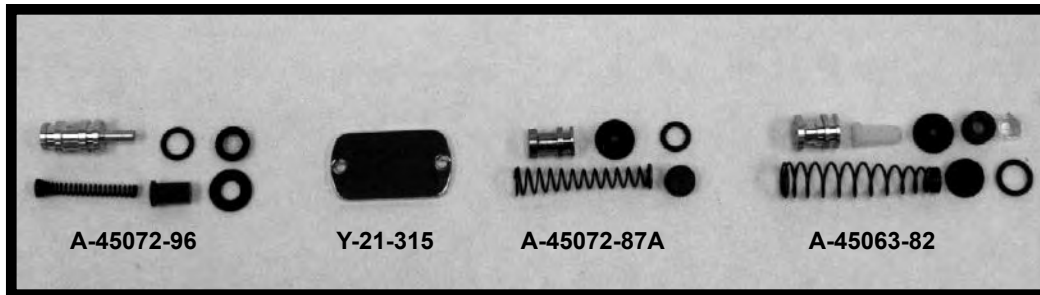
<b><u>EASTERN NUMBER</u></b>	<b><u>REPLACES OEM</u></b>		<b><u>DESCRIPTION</u></b>
A-41764-58	41764-58	each	RUBBER BOOT, MASTER CYLINDER, **REAR** BIG TWIN 1958-1970
A-41764-70	41764-70	each	RUBBER BOOT, MASTER CYLINDER, **REAR** BIG TWIN 1971-1979
A-42326-82	42326-82	each	RUBBER BOOT, MASTER CYLINDER, **REAR** BIG TWIN 1982-1986
17-0837	42810-04B	each	REPAIR KIT, WHEEL CYLINDER, SPORTSTER 2004-2006
A-11063	11063	pk-10	RETAINING RING, MASTER CYLINDER **FRONT** BIG TWIN 1972-1981, SPORT. 1973-'81
A-41762-58	41762-58	each	REPAIR KIT, MASTER CYLINDER, **REAR** (WITH SPRING) BIG TWIN 1958-E/1979
A-41769-58	41769-58	pk-10	SPRING, **ONLY** MASTER CYLINDER, BIG TWIN 1958-E/1979
A-42374-77B	42374-77B	each	REPAIR KIT, MASTER CYLINDER, **REAR** BIG TWIN 1979-1985, SPORTSTER 1979-1981
A-42374-82A	42374-82A	each	REPAIR KIT, MASTER CYLINDER, **REAR** BIG TWIN 1983-1987, SPORT. 1982-E/1987
A-42374-86	42374-86	each	REPAIR KIT, MASTER CYLINDER, **REAR** BIG TWIN 1986-1992
A-42382-82A	42382-82A	each	REPAIR KIT, MASTER CYLINDER, **REAR** BIG TWIN 1982-E/1987
A-42382-87A	42382-87A	each	REPAIR KIT, MASTER CYLINDER, **REAR** BIG TWIN L/1987-2007, SPORT. L/1987-2003
A-42455-80	42455-80	each	RUBBER GASKET, MASTER CYLINDER, **FRONT** BIG TWIN 1979-98, SP. 1979-1981
A-42593-04	43593-04	pk-5	SPRING, MASTER CYLINDER, EXTERNAL RETURN, SPORTSTER 2004-PRESENT
A-45006-87A	45006-87A	each	REPAIR KIT, MASTER CYLINDER, **FRONT** (11/16" BORE) BIG TWIN 1987-1995
A-45006-96	45006-96	each	REPAIR KIT, MASTER CYLINDER, **FRONT** (9/16" BORE) BIG TWIN 1996-99 SP. 1996-03
A-45012-72	45012-72	pk-10	GASKET, MASTER CYLINDER COVER, BIG TWIN 1972-1981, SPORTSTER 1973-1981
A-45031-72	45031-72	pk-5	PINS, MASTER CYLINDER PLUNGER, BIG TWIN 1972-1981, SPORTSTER 1973-1981

**\*\*CONTINUED NEXT PAGE\*\***

# **\*\*EASTERN MOTORCYCLE PARTS\*\***

## **\*\*MASTER CYLINDER\*\***

### **\*\*FRONT HANDLEBAR\*\***

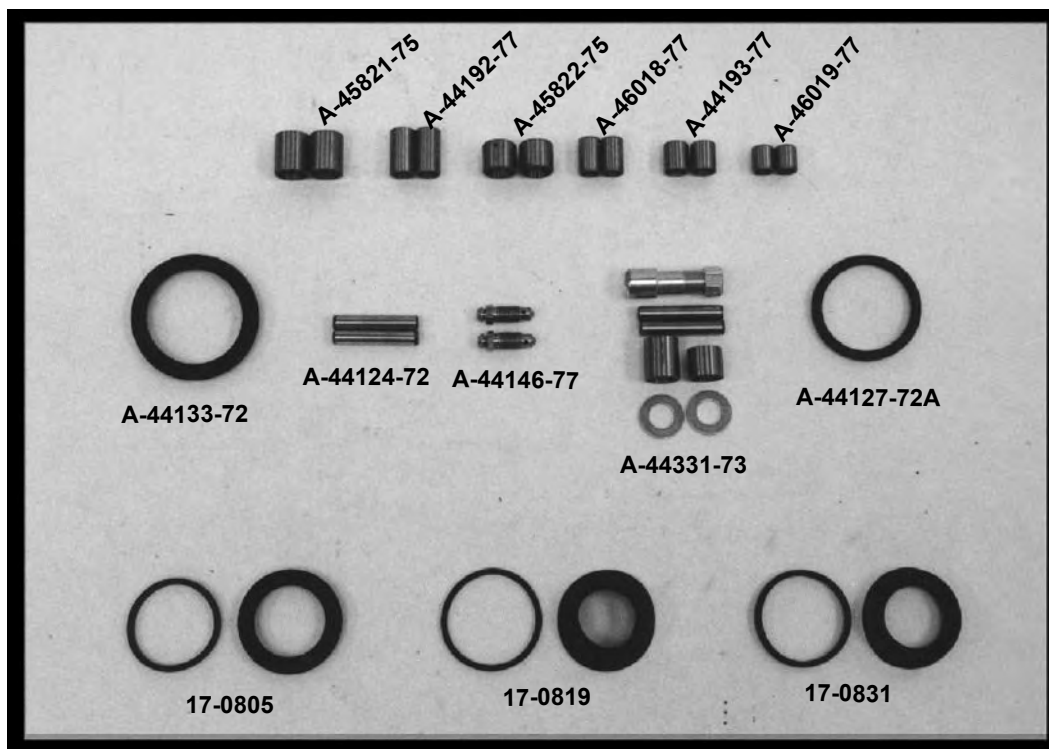


<u>EASTERN NUMBER</u>	<u>REPLACES OEM</u>	<u>DESCRIPTION</u>
A-45032-72	45032-72 pk-5	PINS, MASTER CYLINDER HAND LEVER PIVOT, BIG TWIN 1972-1981, PINS, MASTER CYLINDER HAND LEVER PIVOT, SPORTSTER 1973-1981
A-45055-72	45055-72 pk-5	PLUNGER, MASTER CYLINDER, **FRONT** BIG TWIN 1972-1981, PLUNGER, MASTER CYLINDER, **FRONT** SPORTSTER 1973-1981
Y-21-315	45057-72 each	MASTER CYLINDER TOP COVER, **CHROME** BIG TWIN 1972-1981, MASTER CYLINDER TOP COVER, **CHROME** SPORTSTER 1973-1981
Y-21-317	45057-82 each	MASTER CYLINDER TOP COVER, **CHROME** BIG TWIN 1982-1985, MASTER CYLINDER TOP COVER, **CHROME** SPORTSTER 1982-1985
A-45059-72	45059-72 pk-10	SPRING CUP, MASTER CYLINDER, BIG TWIN 1972-1981, SPORTSTER 1973-1981
A-45061-72A	45061-72A pk-10	SPRINGS, FRONT MASTER CYLINDER RETURN, BIG TWIN 1972-1981, SPRINGS, FRONT MASTER CYLINDER RETURN, SPORTSTER 1973-1981
A-45063-72	45063-72 each	REPAIR KIT, MASTER CYLINDER, BIG TWIN 1972-1981, SPORTSTER 1973-1981
A-45063-82	45063-82 each	REPAIR KIT, MASTER CYLINDER, BIG TWIN 1982-1995, SPORTSTER 1982-1995
A-45071-72	45071-72 pk-10	SPRINGS, FRONT MASTER CYLINDER PLUNGER, BIG TWIN 1972-1981, SPORT. 1973-'81
A-45072-87A	45072-87A each	REPAIR KIT, MASTER CYLINDER, **FRONT** (5/8" BORE) B/T 1987-1995, SP. 1986-1995
A-45072-96	45072-96 each	REPAIR KIT, MASTER CYLINDER, **FRONT** (11/16" BORE) B/T 1996-2007, SP. 1996-'03

# **\*\*EASTERN MOTORCYCLE PARTS\*\***

## **\*\*BRAKE CALIPER\*\***

### **\*\*AND RELATED PARTS\*\***



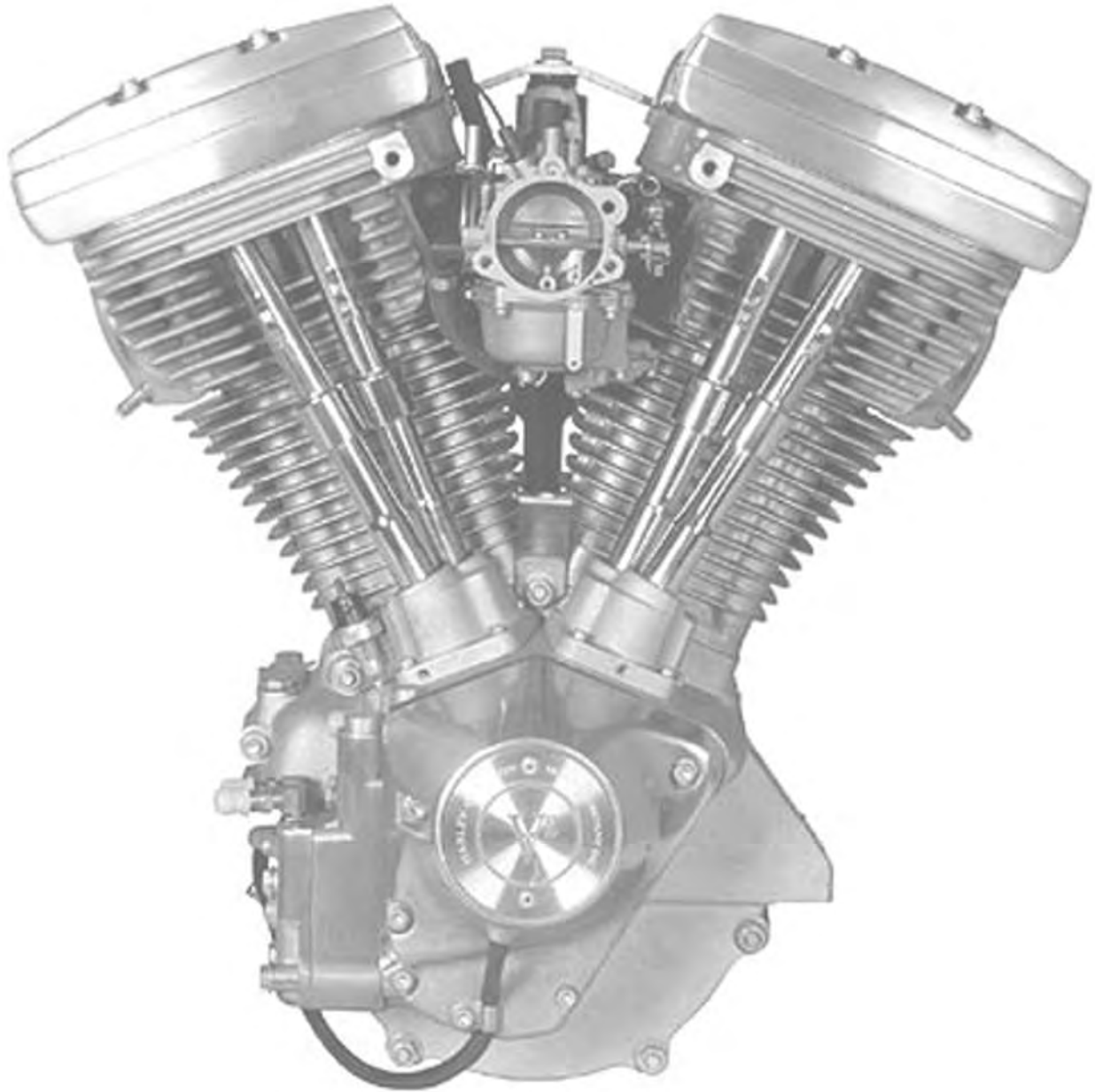
<u>EASTERN NUMBER</u>	<u>REPLACES OEM</u>	<u>DESCRIPTION</u>
A-44054-83	44054-83 each	RUBBER BOOT, FRONT BRAKE CALIPER, BIG TWIN 1983-1998, SPORTSTER 1979-1998
A-44124-72	44124-72 pk-10	PINS, BRAKE CALIPER, (FRONT & REAR) BIG TWIN 1972-1980
A-44127-72A	44127-72A pk-10	O-RINGS, BRAKE CALIPER, (FRONT & REAR) BIG TWIN 1972-1978, SPORT. 1973-1974
A-44133-72	44133-72 pk-5	DUST BOOT, FRONT BRAKE CALIPER, BIG TWIN 1972-1978, SPORTSTER 1973-1974
A-44146-77	44146-77 pk-10	BLEEDER SCREWS, BRAKE CALIPER, BIG TWIN 1980-1984, SPORTSTER 1978-1983
A-44162-77	44162-77 pair	PINS, FRONT BRAKE CALIPER, (DUAL) BIG TWIN 1977-1979, SPORTSTER 1979-1983
A-44192-77	44192-77 pk-5	BUSHING, REAR BRAKE CALIPER, (LONG) SPORTSTER 1979-1981
A-44193-77	44193-77 pk-5	BUSHINGS, REAR BRAKE CALIPER, (SHORT) SPORTSTER 1979-1981
A-44194-SET	set	BUSHINGS, REAR BRAKE CALIPER, (LONG & SHORT) SPORTSTER 1979-1981 <b>SET INCLUDES: (1ea) 44192-77, (1ea) 44193-77</b>
A-44331-73	44331-73	BRAKE CALIPER MOUNTING KIT, BIG TWIN 1973-1986
A-44337-08	44337-08 kit-4	KIT, ANTI-RATTLE SPRINGS/CLIPS (BRAKE PADS) SPORTSTER 2008-2016
A-45821-75	45821-75 pk-5	BUSHINGS, REAR BRAKE CALIPER, (LONG) BIG TWIN 1972-1980
A-45822-75	45822-75 pk-5	BUSHINGS, REAR BRAKE CALIPER, (SHORT) BIG TWIN 1972-1980
A-46018-77	46018-77 pk-5	BUSHINGS, BRAKE CALIPER BRACKET, (LONG) <b>**DUAL DISC**</b> BIG TWIN 1977-1983
A-46019-77	46019-77 pk-5	BUSHINGS, BRAKE CALIPER BRACKET, (SHORT) <b>**DUAL DISC**</b> BIG TWIN 1977-1983
A-46020-SET		BUSHINGS, BRAKE CALIPER BRACKET, (LONG & SHORT) <b>**DUAL DISC**</b> B/T 1977-'83 <b>SET INCLUDES: (1ea) 46018-77, (1ea) 46019-77</b>

### **\*\*BOOT AND SEAL KITS\*\***

17-0809	40007-80/ 44133-72	BOOT & SEAL KIT, (FRONT CALIPERS) <b>**SINGLE DISC**</b> BIG TWIN 1980-1984
17-0805	43945-79/ 43947-79	BOOT & SEAL KIT, (FRONT & REAR CALIPERS) <b>**SINGLE/DUAL DISC**</b> B/T 1980-1986
17-0807	44022-83/ 44047-83	BOOT & SEAL KIT, (FRONT CALIPERS) <b>**SINGLE DISC**</b> B/T 1984-P, SPORT.1984-PRES.
17-0814	44151-77/ 44153-77	BOOT & SEAL KIT, (FRONT CALIPERS) <b>**DUAL DISC**</b> B/T 1977-1983, SPORT.1978-1983
17-0823	44152-77/ 44180-77	BOOT & SEAL KIT, (REAR CALIPERS) <b>**SINGLE DISC**</b> SPORTSTER 1979-1981
17-0819	44277-74/ 44278-74	BOOT & SEAL KIT, (FRONT CALIPERS) <b>**SINGLE DISC**</b> B/T 1974-1977, SP.1974-1977
17-0831	44208-82	BOOT & SEAL KIT, (REAR CALIPERS) <b>**SINGLE DISC**</b> B/T 1985-E/1987, SP.1982-E/1987
17-0835	44045-87	BOOT & SEAL KIT, (REAR CALIPERS) <b>**SINGLE DISC**</b> B/T 1987-1999, SP.1986-1999

**\*5120 HILDA ROAD\* BLACKVILLE, S.C. 29817\* 803-284-3304\***

**\*\*EASTERN MOTORCYCLE PARTS\*\***



**\*5120 HILDA ROAD\* BLACKVILLE, S.C. 29817\* 803-284-3304\***

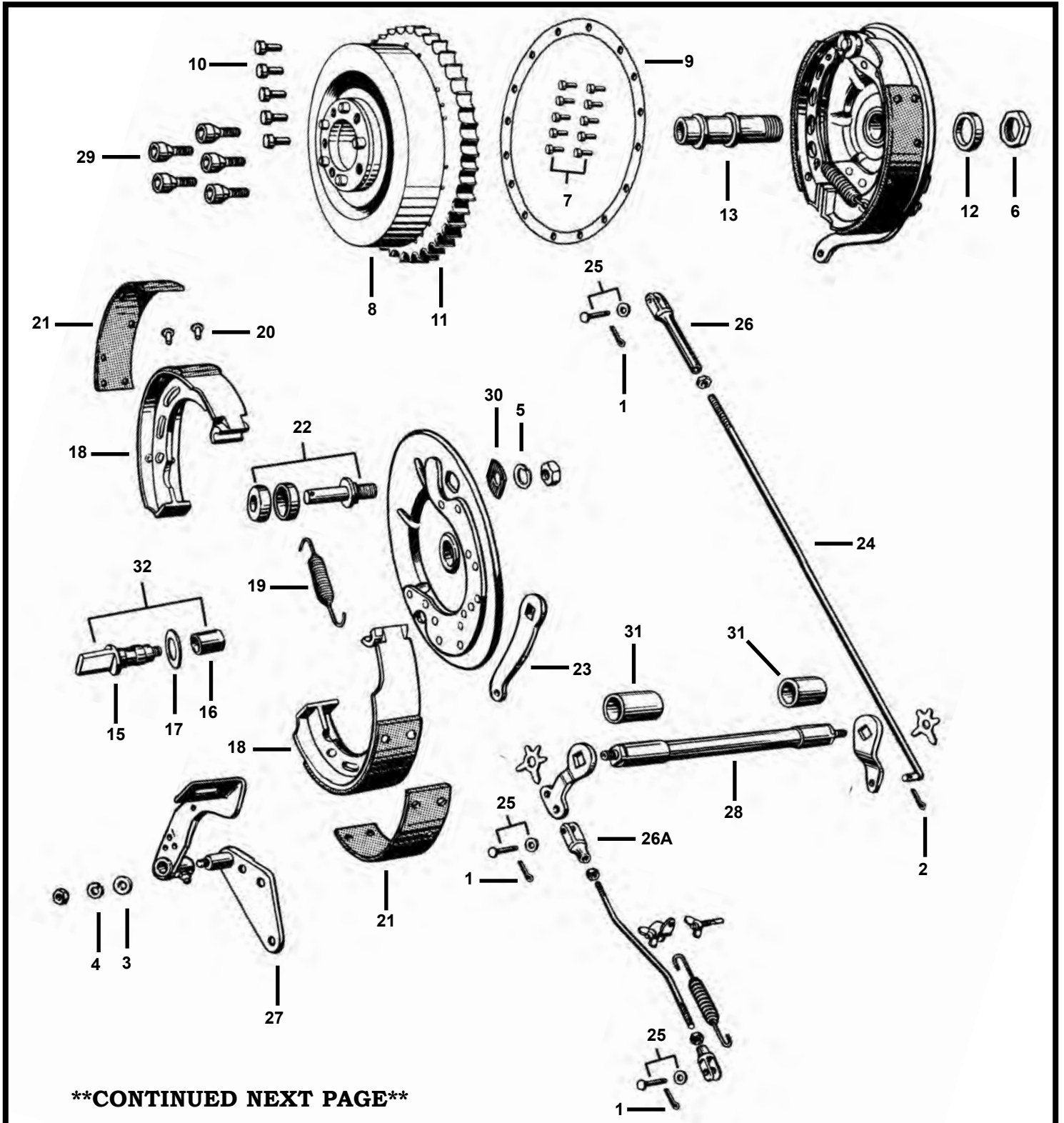


# \*\*EASTERN MOTORCYCLE PARTS\*\*

## \*\*REAR BRAKE DRUM\*\*

\*\*MECHANICAL\*\*

\*\*BIG TWIN 1937-1957\*\*



\*\*CONTINUED NEXT PAGE\*\*

# **\*\*EASTERN MOTORCYCLE PARTS\*\***

## **\*\*REAR BRAKE DRUM\*\***

### **\*\*MECHANICAL\*\***

### **\*\*BIG TWIN 1937-1957\*\***

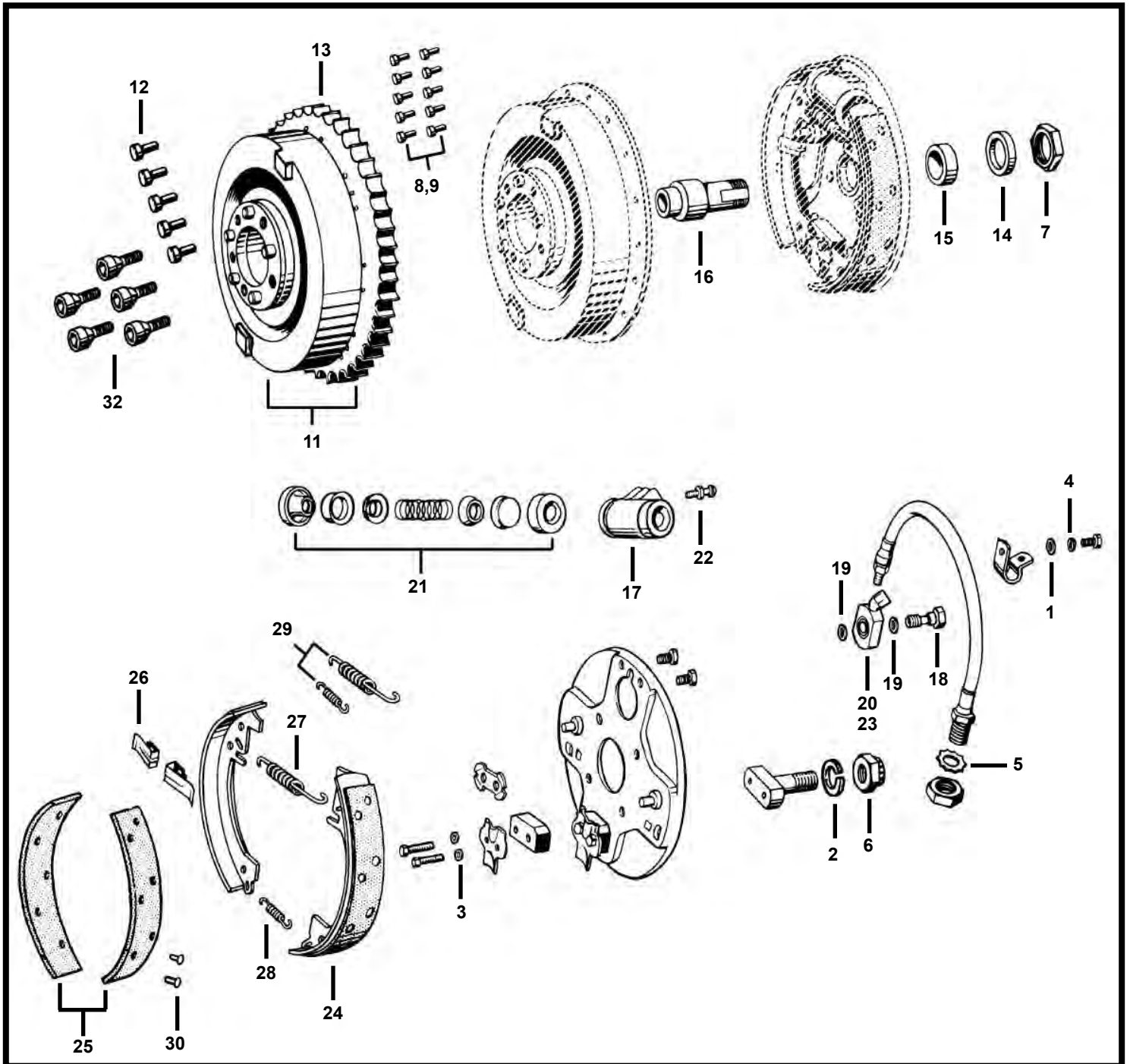
<b>DIAGRAM NUMBER</b>	<b>EASTERN NUMBER</b>	<b>REPLACES OEM</b>	<b>DESCRIPTION</b>
1	35-0103	510	pk-100 COTTER PINS **1/16 X 1/2" LONG** (ZINC PLATED)
2	35-0127	528	pk-100 COTTER PINS **3/32 X 5/8" LONG** (ZINC PLATED)
3	A-6520	6520	pk25 WASHER **29/64 X 1-1/8 X 3/32 THICK** (ZINC PLATED)
4	36-0210	7055	pk-100 LOCK WASHERS **REGULAR 7/16** (ZINC PLATED)
5	36-0258	7060	pk-100 LOCK WASHERS **REGULAR 1/2** (ZINC PLATED)
6	A-8095	8095	each NUT, REAR AXLE SLEEVE, **ZINC PLATED** BIG TWIN 1937-1957
7	J-1-120	8495	set-20 RIVETS AND DOWELS, REAR SPROCKET, BIG TWIN 1930-1957
		41485-30	
8	J-1-90	41401-37	each BRAKE DRUM (WITH SPROCKET) **CHROME** BIG TWIN 1937-1957
9	J-1-91	41420-30	each DUST SHIELD, REAR SPROCKET, BIG TWIN 1937-1957
10	J-1-118	41425-37	set-5 DOWEL PINS, BRAKE DRUM, BIG TWIN 1937-1972
11	A-41470-30	41470-30	each SPROCKET, (51T) **WITH DUST SHIELD & RIVETS** BIG TWIN 1937-1957
12	J-1-60	41596-30	each SPACER, REAR AXLE SLEEVE **ZINC PLATED** BIG TWIN 1937-1957
	J-1-67	41596-30	each SPACER, REAR AXLE SLEEVE **CHROME** BIG TWIN 1937-1957
13	A-41600-36	41600-36	each AXLE SLEEVE, MECHANICAL DRUM, BIG TWIN 1937-1957
15	J-1-74	41671-37	each CAM, BRAKE SHOES, MECHANICAL, BIG TWIN 1937-1957
16	A-41685-37	41685-37	each BUSHING **STEEL** BACKING PLATE, BIG TWIN 1937-1957
	A-41685-88		each BUSHING **STEEL** BACKING PLATE, **.015 O/S** BIG TWIN 1937-1957
17	A-41691-31	41691-31	pk-5 WASHER **BRONZE** BACKING PLATE, BIG TWIN 1937-1957
18	A-41805-38	41805-38	pair BRAKE SHOES, REAR BRAKE DRUM, BIG TWIN 1937-1957
19	A-41835-30	41835-30	pair SPRINGS, BRAKE SHOE RETURN, BIG TWIN 1937-1957
20	A-41841-31	41831-41	pk-25 RIVETS, BRAKE SHOES **5/16" LONG** BIG TWIN 1937-1972
21	A-41848-38	41848-38	pair BRAKE LININGS, WITH RIVETS, BIG TWIN 1937-1957
22	J-1-75	41870-38	kit-3 PIVOT STUD AND CUPS, MECHANICAL, BIG TWIN 1937-1957
		41872-38	
		41875-38	
23	J-1-78	41929-36	each BRAKE LEVER, MECHANICAL **CHROME** BIG TWIN 1937-1957
24	J-1-77	42257-36	each BRAKE ROD, MECHANICAL 23" LONG, **CHROME** BIG TWIN 1937-1957
25	J-1-84	42269-30	set-10 CLEVIS PINS, WITH WASHERS & COTTER PINS, BIG TWIN 1937-1957
26	J-1-82	42273-30	each CLEVIS, REAR BRAKE ROD (LONG) **CHROME** BIG TWIN 1937-1957
26A	J-1-83	42333-30	pair CLEVIS, FRONT BRAKE ROD (SHORT) **CHROME** BIG TWIN 1936-1957
27	J-1-88	42480-36	each BACKING PLATE **CHROME** BIG TWIN 1937-1957
28	J-1-73	42550-31	each SHAFT, CROSS OVER, MECHANICAL, BIG TWIN 1937-1957
29	J-1-115	43530-35A	set-5 LUG BOLT SET, BRAKE DRUM **BLACK OX** BIG TWIN 1937-1957
	J-1-115C		set-5 LUG BOLT SET, BRAKE DRUM **CHROME** BIG TWIN 1937-1957
30	J-1-75A	44475-35	each LOCK PLATE, PIVOT STUD **CHROME** BIG TWIN 1937-1957
31	A-47755-31	47755-31	pair BUSHINGS, BRAKE CROSS SHAFT **660 BRONZE** BIG TWIN 1937-1957
32	J-1-105		kit CAM, BUSHING & WASHER, BIG TWIN 1937-1957

# \*\*EASTERN MOTORCYCLE PARTS\*\*

## \*\*REAR BRAKE DRUM\*\*

\*\*HYDRAULIC\*\*

\*\*BIG TWIN 1958-1972\*\*



\*\*CONTINUED NEXT PAGE\*\*

# **\*\*EASTERN MOTORCYCLE PARTS\*\***

## **\*\*REAR BRAKE DRUM\*\***

### **\*\*HYDRAULIC\*\***

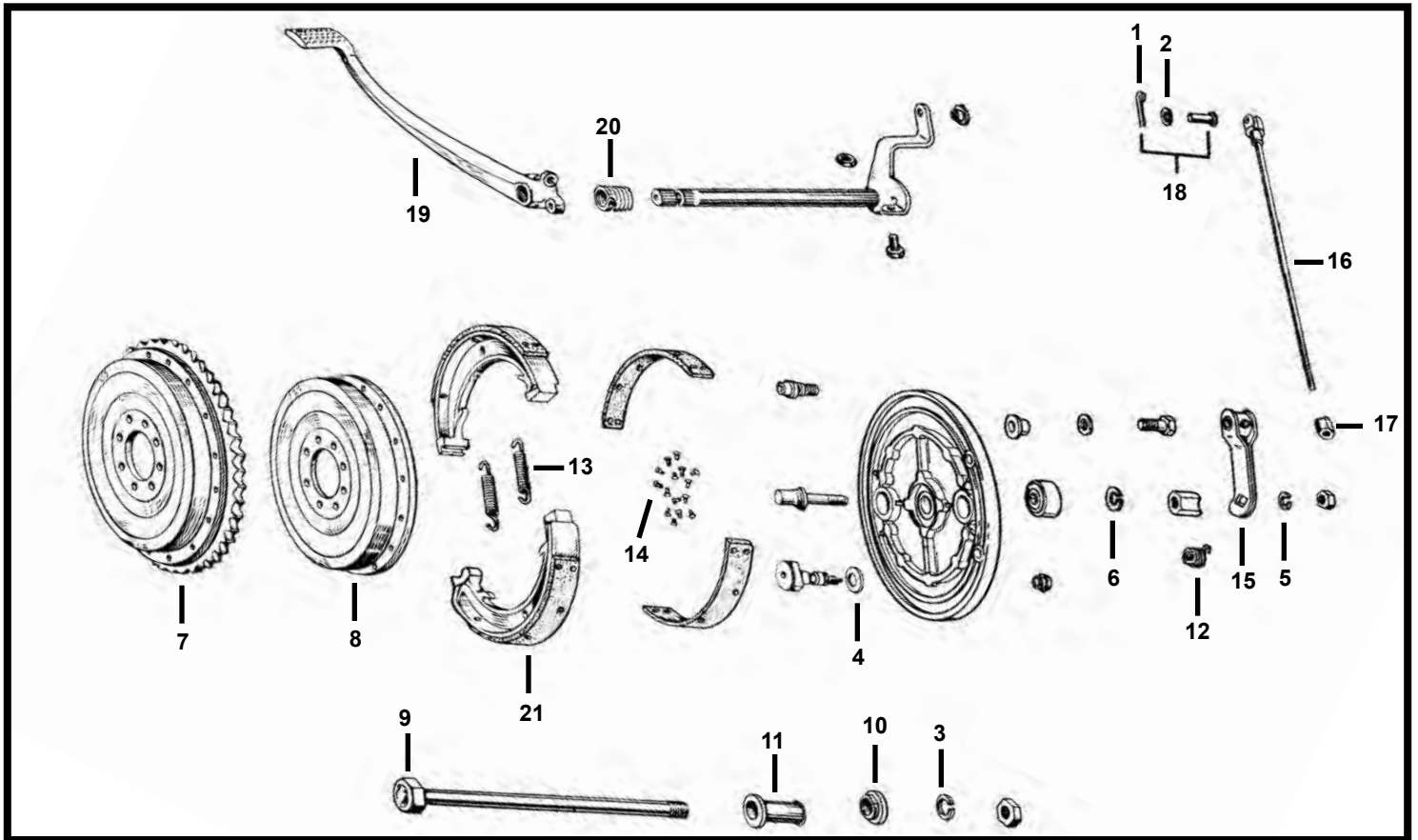
### **\*\*BIG TWIN 1958-1972\*\***

<u>DIAGRAM NUMBER</u>	<u>EASTERN NUMBER</u>	<u>REPLACES OEM</u>	<u>DESCRIPTION</u>
1	A-6716	6716	pk25 WASHER **#-10 X 1/2" X 3/32 THICK** (ZINC PLATED)
2	36-0186	7022	pk-100 LOCK WASHERS **REGULAR 5/8*** (ZINC PLATED)
3	36-0284	7038	pk-100 LOCK WASHERS **REGULAR 3/8*** (ZINC PLATED)
4	36-0262	7069	pk-100 LOCK WASHERS **REGULAR #-10** (ZINC PLATED)
5	35-0298	7242	pk-100 LOCK WASHERS **EXTERNAL 5/8*** (ZINC PLATED)
6	35-0558	7993	pk-10 NYLOCK NUT, CADMIUM, **5/8-18 THREAD**
7	A-8095	8095	each NUT, REAR AXLE SLEEVE, **ZINC PLATED** BIG TWIN 1937-1957
8	A-8524	8524	pk-100 RIVETS ONLY, REAR SPROCKET **3/16 X 5/8*** BIG TWIN 1958-1966
9	J-1-122	8524	set-20 RIVETS & DOWEL PINS, REAR SPROCKET, BIG TWIN 1958-1966
	A-8532	8532	pk-100 RIVETS ONLY, REAR SPROCKET **3/16 X 1*** BIG TWIN 1967-1972
	J-1-124	8532	set-20 RIVETS & DOWEL PINS, REAR SPROCKET, BIG TWIN 1967-1972
11	J-1-90B	41401-58	each BRAKE DRUM (WITH SPROCKET) **CHROME** BIG TWIN 1958-1962
12	J-1-118	41425-37	set-5 DOWEL PINS, BRAKE DRUM, BIG TWIN 1937-1972
13	A-41470-58	41470-58	each SPROCKET (51T) **WITH RIVETS** BIG TWIN 1958-1961
	A-41470-62	41470-62	each SPROCKET (51T) **WITH RIVETS** BIG TWIN 1962-1966
	A-41470-67	41470-67	each SPROCKET (51T) **WITH RIVETS** BIG TWIN 1967-1972
14	J-1-60	41596-30	each SPACER, REAR AXLE SLEEVE **ZINC PLATED** BIG TWIN 1937-1957
	J-1-67	41596-30	each SPACER, REAR AXLE SLEEVE **CHROME** BIG TWIN 1937-1957
15	A-41596-58	41596-58	each AXLE SPACER, LEFT SIDE REAR**ZINC PLATED** BIG TWIN 1958-1962
	A-41596-63	41596-63	each AXLE SPACER, LEFT SIDE REAR**ZINC PLATED** BIG TWIN 1963-1972
16	A-41600-58	41600-58	each AXLE SLEEVE, REAR **HYDRAULIC DRUM** BIG TWIN 1958-1962
	A-41600-63	41600-63	each AXLE SLEEVE, REAR **HYDRAULIC DRUM** BIG TWIN 1963-1966
	A-41600-67	41600-67	each AXLE SLEEVE, REAR **HYDRAULIC DRUM** BIG TWIN 1967-1972
17	A-41740-58	41740-58	each WHEEL CYLINDER, REAR WHEEL, COMPLETE, BIG TWIN 1958-1962
	A-41740-63	41740-63	each WHEEL CYLINDER, REAR WHEEL, COMPLETE, BIG TWIN 1963-1972
18	A-41743-58	41743-58	each BOLT, BRAKE HOSE SWIVEL FITTING, BIG TWIN 1958-1972
19	A-41744-58	41744-58	pk-10 WASHER **COPPER** WHEEL CYLINDER, BIG TWIN 1958-1972
20	A-41745-58	41745-58	each SWIVEL FITTING, WHEEL CYLINDER, BIG TWIN 1958-1962
21	A-41748-58	41748-58	kit REPAIR KIT, WHEEL CYLINDER, BIG TWIN 1958-1962
	A-41748-63	41748-63	kit REPAIR KIT, WHEEL CYLINDER, BIG TWIN 1963-1972
22	A-41749-58	41749-58	pk-10 BLEEDER SCREWS, WHEEL CYLINDER, BIG TWIN 1958-1979
23	A-41750-63	41750-63	each SWIVEL FITTING, WHEEL CYLINDER, BIG TWIN 1962-1972
24	A-41801-58A	41801-58A	pair BRAKE SHOES, REAR BRAKE DRUM **HYDRAULIC** BIG TWIN 1958-'62
	A-41801-63	41801-63	pair BRAKE SHOES, REAR BRAKE DRUM **HYDRAULIC** BIG TWIN 1963-'72
25	A-41808-58	41808-58	pair BRAKE LININGS WITH RIVETS **HYDRAULIC** BIG TWIN 1958-1962
	A-41808-63	41808-58	pair BRAKE LININGS WITH RIVETS **HYDRAULIC** BIG TWIN 1963-1972
26	A-41835-58	41835-58	pair RETAINERS, REAR BRAKE SHOES, BIG TWIN 1958-1972
27	A-41836-58	41836-58	pk-5 SPRINGS, BRAKE SHOE RETURN **UPPER** BIG TWIN 1958-1962
	A-41836-63	41836-63	pk-5 SPRINGS, BRAKE SHOE RETURN **UPPER** BIG TWIN 1963-1972
28	A-41837-58	41837-58	pk-5 SPRINGS, BRAKE SHOE RETURN **LOWER** BIG TWIN 1958-1962
	A-41837-63	41837-63	pk-5 SPRINGS, BRAKE SHOE RETURN **LOWER** BIG TWIN 1963-1972
29	A-41840-SET		pair SPRINGS, BRAKE SHOES **UPPER & LOWER** BIG TWIN 1963-1972
30	A-41841-31	41831-41	pk-25 RIVETS, BRAKE SHOES **5/16" LONG** BIG TWIN 1937-1972
32	J-1-115	43530-35A	set-5 LUG BOLT SET, BRAKE DRUM **BLACK OX** BIG TWIN 1937-1957
	J-1-115C		set-5 LUG BOLT SET, BRAKE DRUM **CHROME** BIG TWIN 1937-1957

# \*\*EASTERN MOTORCYCLE PARTS\*\*

## \*\*REAR BRAKE DRUM\*\*

\*\*SPORTSTER 1954-1978\*\*



<u>DIAGRAM NUMBER</u>	<u>EASTERN NUMBER</u>	<u>REPLACES OEM</u>	<u>DESCRIPTION</u>
1	35-0113	515	pk-100 COTTER PINS **1/16 X 3/4" LONG** (ZINC PLATED)
2	A-6220W	6220W	pk-25 WASHER **1/4 X 7/16 1/32" THICK** (ZINC PLATED)
3	36-0186	6653A	pk-25 WASHER **REGULAR 5/8"*** (ZINC PLATED)
4	A-6663HB	6663HB	pk-25 WASHER **9/16 X 1-1/8 X 1/16" THICK** (ZINC PLATED)
5	36-0284	7038	pk-100 LOCK WASHER **REGULAR 3/8"*** (ZINC PLATED)
6	36-0210	7039	pk-100 LOCK WASHER **REGULAR 7/16"*** (ZINC PLATED)
7	J-1-465	41401-52	each BRAKE DRUM WITH SPROCKET **CHROME** SPORTSTER 1954-1978
8	J-1-495	41408-52	each BRAKE COVER ONLY **FITS 1-465** SPORTSTER 1954-1978
9	J-1-68E	41551-52	each AXLE, REAR WHEEL **CHROME HEAD** SPORTSTER 1952-1978
10	A-41598-52	41598-52	each COLLAR, REAR AXLE **ZINC PLATED** SPORTSTER 1952-1973
11	A-41600-55	41600-55	each AXLE SPACER **ZINC PLATED** SPORTSTER 1952-1978
12	A-41667-75	41667-75	pk-10 SPRING, OPERATING LEVER **ZINC PLATED** SPORTSTER 1954-1978
13	J-1-93	41835-69B	pair SPRING, BRAKE SHOES, SPORTSTER 1954-1978
14	A-41841-31	41841-41	pk-25 RIVETS **5/16' LONG** SPORTSTER 1954-1978
15	A-41925-52	41925-52A	each BRAKE CAM LEVER **CHROME** SPORTSTER 1954-1978
16	A-42252-52	42252-52	each BRAKE ROD (22-5/16" LONG) **CHROME** SPORTSTER 1952-1966
	A-42253-67	42253-67	each BRAKE ROD (23-7/8" LONG) **CHROME** SPORTSTER 1967-1974
17	A-42264-52	42264-52	each NUT, REAR BRAKE ROD, SPORTSTER 1954-1978
18	J-1-84	42269-30	pk-10 CLEVIS PINS, WITH WASHERS & COTTER PINS, SPORTSTER 1954-1974
19	K-2-425	42410-52	each BRAKE PEDAL LEVER **CHROME** SPORTSTER 1954-1974
20	A-42426-58	42426-58	each SPRING, BRAKE PEDAL RETURN, **ZINC** SPORTSTER 1958-1969
	A-42427-52	42427-52	each SPRING, BRAKE PEDAL RETURN, **ZINC** SPORTSTER 1952-1974
21	A-44401-49B	44401-49B	pair BRAKE SHOES, REAR BRAKE DRUM, **MECHANICAL** B/T 1949-1971, SPORTSTER 1954-1978

# \*\*EASTERN MOTORCYCLE PARTS\*\*

## \*\*FRONT BRAKE DRUM\*\*

### \*\*MECHANICAL\*\*

### \*\*FORTY-FIVE 1935-1952\*\*

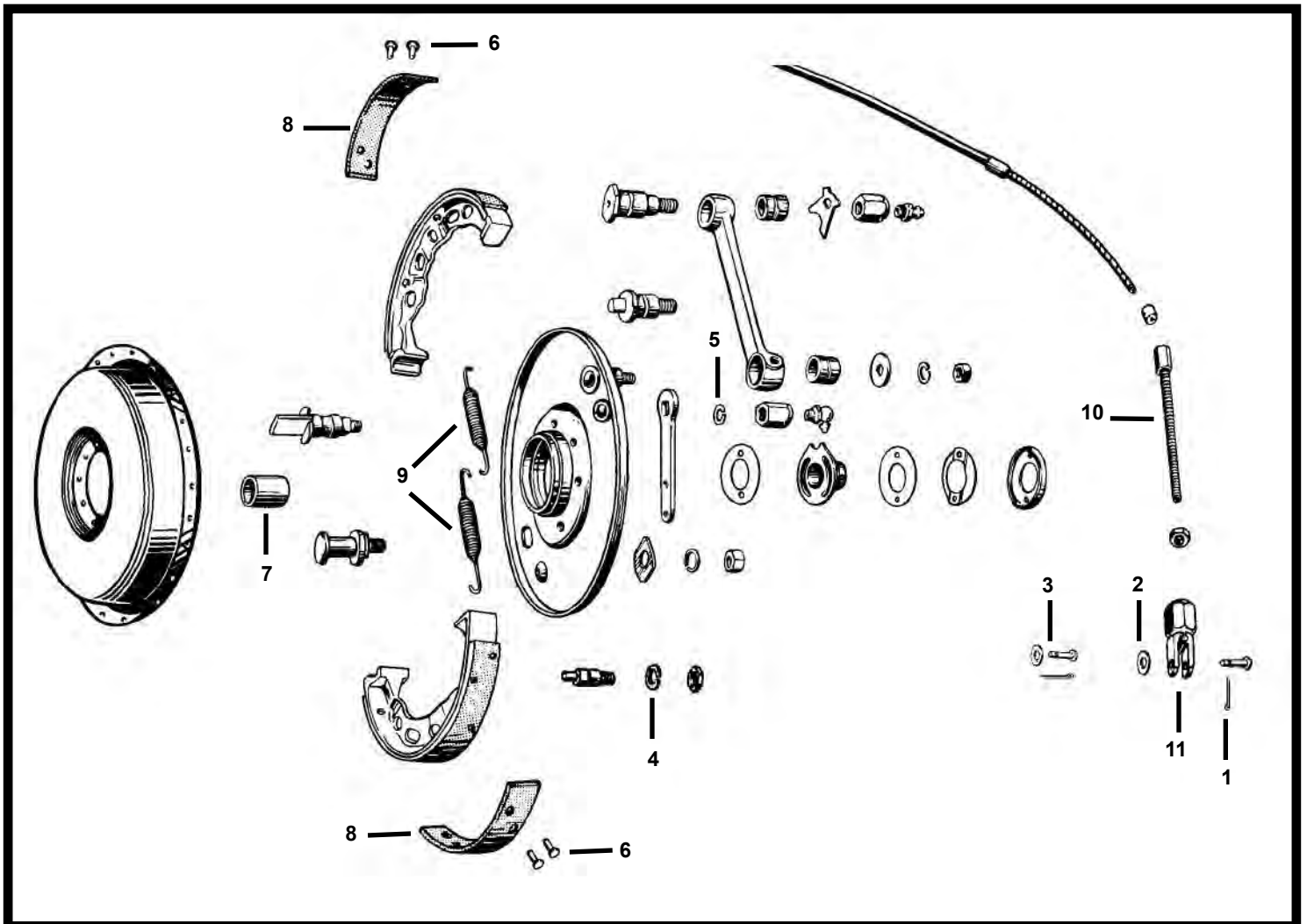


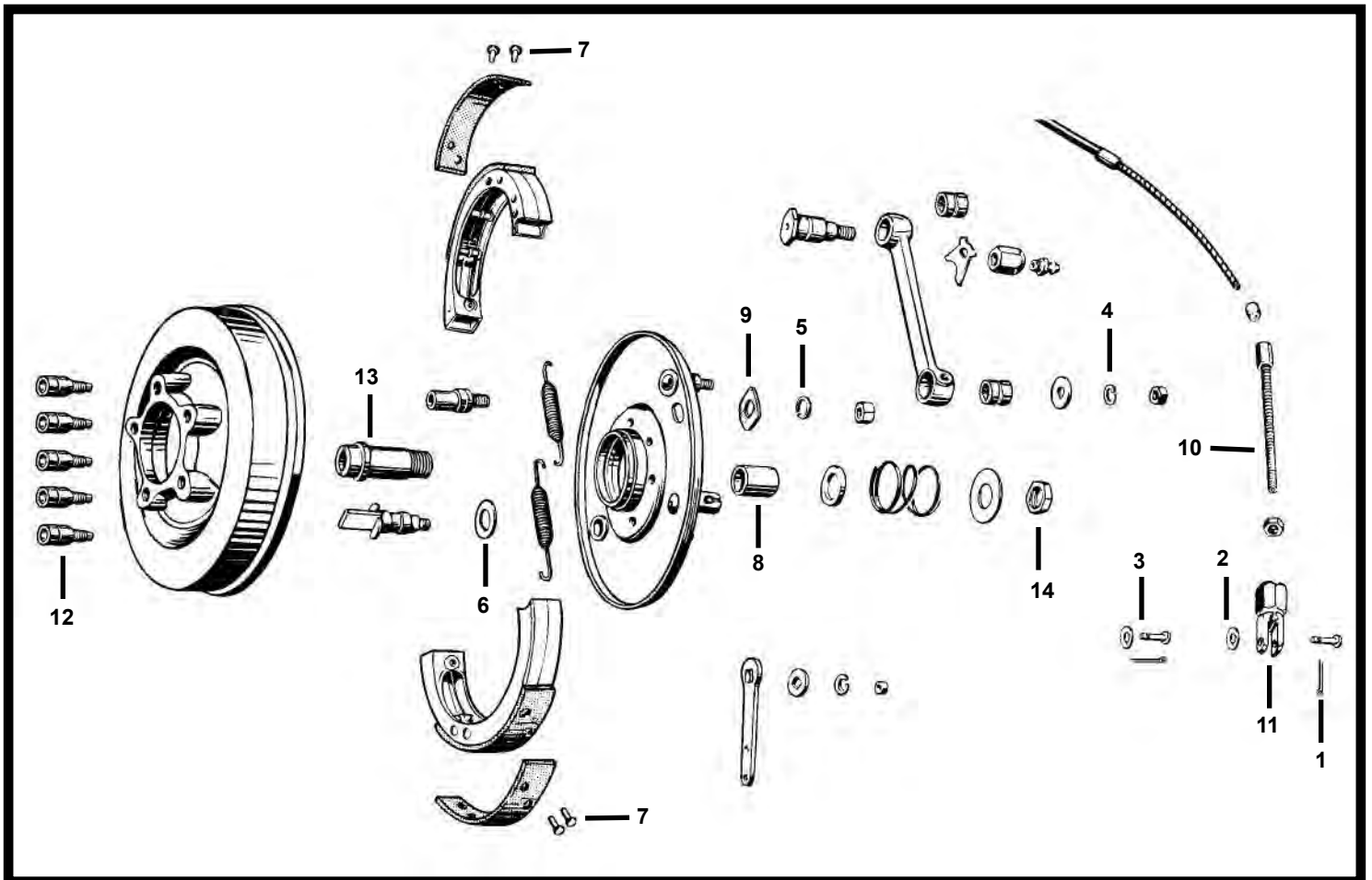
DIAGRAM NUMBER	EASTERN NUMBER	REPLACES OEM	DESCRIPTION
1	35-0113	515	pk-100 COTTER PINS **1/16 X 3/4" LONG** (ZINC PLATED)
2	A-6220W	6220W	pk-25 WASHER **1/4 X 7/16 X 1/32 THICK** (ZINC PLATED)
3	J-1-84		pk-10 KIT, CLEVIS PINS WASHERS & COTTER PINS, FORTY-FIVE 1935-1952
4	36-0234	7045	pk-100 LOCK WASHER **HI-COLLAR 3/8** (ZINC PLATED)
5	36-0210	7055	pk-100 LOCK WASHER **REGULAR 7/16** (ZINC PLATED)
6	A-41841-31	41841-31	pk-25 RIVETS, BRAKE SHOES, **5/16" LONG** FORTY-FIVE 1931-1952
7	A-44180-30	44180-30	each BUSHING, BRAKE BACKING PLATE, FORTY-FIVE 1935-1952
8	A-44427-35	44427-35	pair BRAKE LININGS, WITH RIVETS, FORTY-FIVE 1935-1952
9	A-44486-28	44486-28	pk-5 SPRINGS, BRAKE SHOE RETURN, FORTY-FIVE 1935-1952
10	A-45162-41	45162-41	each ADJUSTING SCREW, **BLACK** FORTY-FIVE 1949-1952
11	A-45172-28	45172-28	each CLEVIS, WITH NUT, **BLACK** FORTY-FIVE 1949-1952

# \*\*EASTERN MOTORCYCLE PARTS\*\*

## \*\*FRONT BRAKE DRUM\*\*

### \*\*MECHANICAL\*\*

### \*\*BIG TWIN 1937-1948\*\*



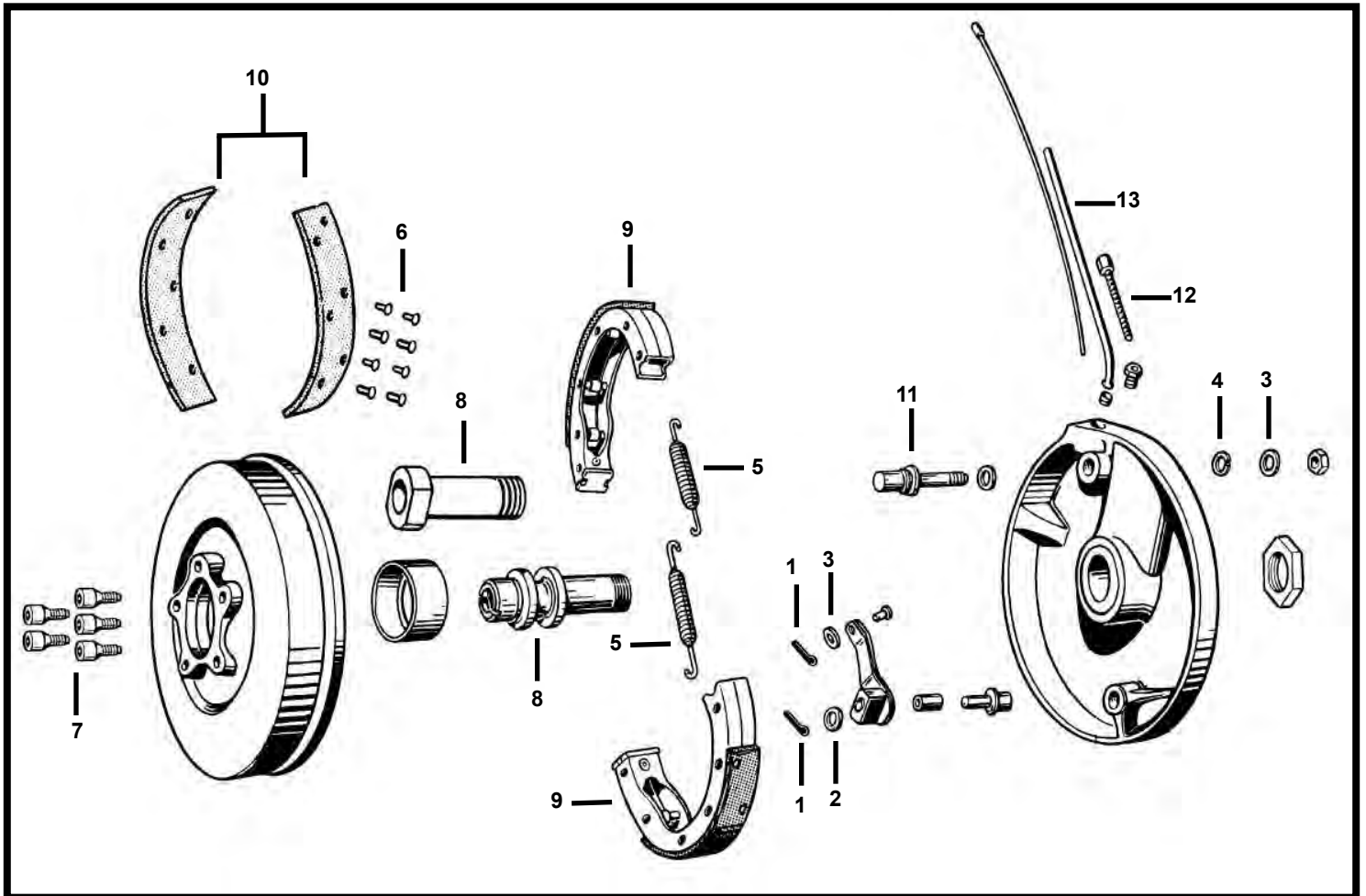
<u>DIAGRAM NUMBER</u>	<u>EASTERN NUMBER</u>	<u>REPLACES OEM</u>	<u>DESCRIPTION</u>
1	35-0113	515	pk-100 COTTER PINS **1/16 X 3/4" LONG** (ZINC PLATED)
2	A-6220W	6220W	pk-25 WASHER **1/4 X 7/16 X 1/32 THICK** (ZINC PLATED)
3	J-1-84		pk-10 KIT, CLEVIS PINS WASHERS & COTTER PINS, BIG TWIN 1937-1957
4	36-0234	7045	pk-100 LOCK WASHER **HI-COLLAR 3/8** (ZINC PLATED)
5	36-0210	7055	pk-100 LOCK WASHER **REGULAR 7/16** (ZINC PLATED)
6	A-41691-31	41691-31	pk-5 WASHER, BACKING PLATE, **BRONZE** BIG TWIN 1937-1957
7	A-41841-31	41841-31	pk-25 RIVETS, BRAKE SHOES, **5/16" LONG** BIG TWIN 1937-1972
8	A-44180-36	44180-36	each BUSHING, BRAKE BACKING PLATE, BIG TWIN 1937-1948
9	J-1-75A	44475-35	each LOCK PLATE, PIVOT STUD, **CHROME** BIG TWIN 1937-1957
10	A-45162-41	45162-41	each ADJUSTING SCREW, **BLACK** BIG TWIN 1941-1948
11	A-45172-28	45172-28	each CLEVIS, WITH NUT, **BLACK** BIG TWIN 1928-1948
12	J-1-115	43530-35A	set-5 LUG BOLT SET, BRAKE DRUM **BLACK** BIG TWIN 1937-1957
	J-1-115C		set-5 LUG BOLT SET, BRAKE DRUM **CHROME** BIG TWIN 1937-1957
13	A-43882-36	43882-36	each FRONT AXLE SLEEVE, BIG TWIN 1949-1966
14	40-0155	43886-30	each NUT, FRONT AXLE SLEEVE **BLACK OXIDE** BIG TWIN 1936-1945, V.L. 1930-1936 **MADE IN U.S.A.**

# \*\*EASTERN MOTORCYCLE PARTS\*\*

## \*\*FRONT BRAKE DRUM\*\*

\*\*MECHANICAL\*\*

\*\*BIG TWIN 1949-1971\*\*



<u>DIAGRAM NUMBER</u>	<u>EASTERN NUMBER</u>	<u>REPLACES OEM</u>	<u>DESCRIPTION</u>
1	35-0113	515	pk-100 COTTER PINS **1/16 X 3/4" LONG** (ZINC PLATED)
2	A-6375B	6375B	pk-25 WASHER **3/8 X 9/16 X 1/32 THICK** (ZINC PLATED)
3	A-6702	6702	pk-25 WASHER **5/16 X 11/16 X 1/16 THICK** (ZINC PLATED)
4	36-0210	7039	pk-100 LOCK WASHER **REGULAR 7/16** (ZINC PLATED)
5	J-1-93	41835-69B	pair SPRING, BRAKE SHOES, BIG TWIN 1949-1979
6	A-41841-31	41841-31	pk-25 RIVETS, BRAKE SHOES, **5/16" LONG** BIG TWIN 1937-1972
7	J-1-115	43530-35A	set-5 LUG BOLT SET, BRAKE DRUM <b>**BLACK OX**</b> BIG TWIN 1937-1957
	J-1-115C		set-5 LUG BOLT SET, BRAKE DRUM <b>**CHROME**</b> BIG TWIN 1937-1957
8	A-43882-48	43882-48	each FRONT AXLE SLEEVE, BIG TWIN 1949-1966
	A-43882-67	43882-67	each FRONT AXLE SLEEVE, BIG TWIN 1967-1971
8A	40-0155	43886-30	each NUT, FRONT AXLE SLEEVE <b>**BLACK OXIDE**</b> BIG TWIN 1936-1945, V.L. 1930-1936 <b>**MADE IN U.S.A.**</b>
9	A-44401-49B	44401-49B	pair BRAKE SHOES, FRONT BRAKE DRUM, <b>**MECHANICAL**</b> B/T 1949-1971
10	A-44432-54A	44432-54A	pair BRAKE LININGS (WITH RIVETS) **15/16 width** BIG TWIN 1949-1971
11	A-44448-48	44448-48	each PIVOT STUD, FRONT BRAKE DRUM, BIG TWIN 1949-1971
12	Y-21-425	45159-50	each ADJUSTING SCREW, FRONT BRAKE CABLE, BIG TWIN 1949-1972
13	Y-21-428	45200-60	each BRAKE TUBE, FRONT BRAKE CABLE <b>**CHROME**</b> BIG TWIN 1960-1971

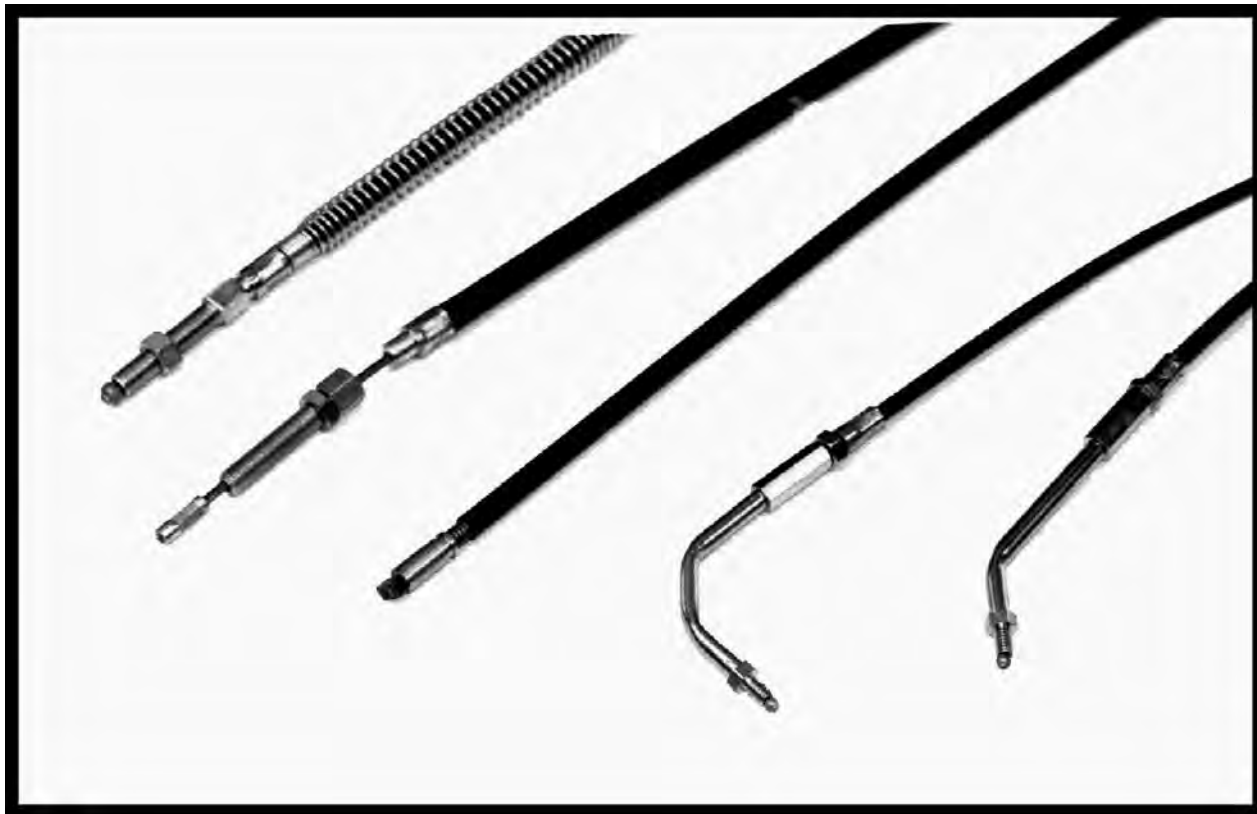


# **\*\*EASTERN MOTORCYCLE PARTS\*\***

## **\*\*CABLES\*\***

### **\*\*BIG TWIN-SPORTSTER\*\***

#### **\*\*MASTER LISTING\*\***



<b><u>EASTERN NUMBER</u></b>	<b><u>REPLACES OEM</u></b>	<b><u>DESCRIPTION</u></b>
E-1020	38599-83 each	CLUTCH CABLE, **STOCK LENGTH** BIG TWIN 1983-1986
E-1023	each	CLUTCH CABLE, **4" OVER STOCK** (THICK HOUSING), BIG TWIN 1968-1984
E-1010	38618-52 each	CLUTCH CABLE, **STOCK LENGTH** BIG TWIN 1952-1967
E-1011	each	CLUTCH CABLE, **8" OVER STOCK** BIG TWIN 1952-1967
E-1012	38618-68 each	CLUTCH CABLE, **STOCK LENGTH** (THICK HOUSING), BIG TWIN 1968-1984
E-1013	each	CLUTCH CABLE, **8" OVER STOCK** (THICK HOUSING), BIG TWIN 1968-1984
E-1025	38618-68A each	CLUTCH CABLE, **STOCK LENGTH** (THIN HOUSING), BIG TWIN 1968-1984
E-1014	38619-57 each	CLUTCH CABLE, **STOCK LENGTH** SPORTSTER 1952-1970
E-1015	each	CLUTCH CABLE, **6" OVER STOCK** SPORTSTER 1952-1970
E-1016	each	CLUTCH CABLE, **12" OVER STOCK** SPORTSTER 1952-1970
E-1017	38619-71 each	CLUTCH CABLE, **STOCK LENGTH** SPORTSTER 1971-1985
E-1018	each	CLUTCH CABLE, **6" OVER STOCK LENGTH** SPORTSTER 1971-1985
E-1019	each	CLUTCH CABLE, **12" OVER STOCK LENGTH** SPORTSTER 1971-1985
E-1028	38619-86 each	CLUTCH CABLE, **STOCK LENGTH** (883 C/C), SPORTSTER 1986-PRESENT
E-1030	38621-86 each	CLUTCH CABLE, **STOCK LENGTH** (1100 & 1200 C/C), SPORTSTER 1986-PRESENT
E-1070	38634-75A each	BRAKE CABLE, **COMPLETE** (REAR), SPORTSTER 1975-1976
E-1072	38634-76 each	BRAKE CABLE, **COMPLETE** (REAR), SPORTSTER 1977-1978

**\*\*CONTINUED NEXT PAGE\*\***

**\*5120 HILDA ROAD\* BLACKVILLE, S.C. 29817\* 803-284-3304\***

**\*Pg 357\***

# **\*\*EASTERN MOTORCYCLE PARTS\*\***

## **\*\*CABLES\*\***

### **\*\*BIG TWIN-SPORTSTER\*\***

#### **\*\*MASTER LISTING\*\***

<u>EASTERN NUMBER</u>	<u>REPLACES OEM</u>		<u>DESCRIPTION</u>
A-29211-86	29211-86	each	CHOKE CABLE, (INNER & OUTER) <b>**WITH CHROME KNOB**</b> BIG TWIN 1986-1989
A-29212-71	29212-71	each	CHOKE CABLE, (INNER & OUTER) <b>**WITHOUT KNOB**</b> BIG TWIN 1971-E/1978
A-29213-79	29213-79	each	CHOKE CABLE, (INNER & OUTER) <b>**WITHOUT KNOB**</b> BIG TWIN L/1978-1984
A-29214-71	29214-71	each	<b>KNOB ONLY</b> , CHOKE CABLE, <b>**CHROME**</b> (FITS THE ABOVE CABLES) BIG TWIN '71-'84
A-29215-78	29215-78	each	CHOKE TUBE ONLY, <b>**CADMIUM PLATED**</b> BIG TWIN 1978-1984
A-29221-73	29221-73	each	CHOKE TUBE ONLY, <b>**CADMIUM PLATED**</b> BIG TWIN 1973-1978
Y-21-433	45036-68	pk-5	PIN & BUSHING KIT, CLUTCH & BRAKE LEVERS, BIG TWIN 1968-1982, SPORT 1965-1982
A-45036-82	45036-82	each	PIN & BUSHING KIT, CLUTCH LEVERS, BIG TWIN 1982-1988, SPORTSTER 1982-1988
A-45036-88	45036-88	pk-10	PIVOT PINS, FOR CLUTCH CABLE, BIG TWIN 1988-2007, SPORTSTER 1988-2003
E-1062	56308-86	each	THROTTLE CONTROL CABLE, <b>**NYLON LINED**</b> (883 & 1100 C/C), SPORTSTER 1986-'87
E-1064	56309-86	each	IDLER CONTROL CABLE, <b>**NYLON LINED**</b> (883 & 1100 C/C), SPORTSTER 1986-1987
E-1054	56313-76	each	THROTTLE CABLE, <b>**KIEHIM CARBURETOR**</b> BIG TWIN 191976-1980
E-1060	56323-81A	each	IDLER CONTROL CABLE, <b>**NYLON LINED**</b> , BIG TWIN 1981-1984, SPORTSTER 1981-1985
E-1058	56324-81A	each	THROTTLE CONTROL CABLE, BIG TWIN 1981-1984, SPORTSTER 1981-1985
E-1056	56327-81B	each	THROTTLE CONTROL CABLE, <b>**NYLON LINED**</b> BIG TWIN 1984-1996
E-1057	56328-81B	each	IDLER CONTROL CABLE, <b>**NYLON LINED**</b> BIG TWIN 1984-1996
E-1066	56336-83	each	THROTTLE CONTROL CABLE, <b>**NYLON LINED**</b> BIG TWIN 1984-1999
E-1068	56337-83	each	IDLER CONTROL CABLE, <b>**NYLON LINED**</b> BIG TWIN 1984-1999
E-1055	56389-74	each	THROTTLE CABLE, <b>**BENDIX CARBURETOR**</b> BIG TWIN 1974-1975, SPORT. 1974-1976
E-1050		each	THROTTLE KIT AND 53" CABLE, BIG TWIN 1976-PRESENT, SPORTSTER 1976-PRESENT
E-1052		each	THROTTLE CABLE, <b>**UNIVERSAL**</b> (53" LONG)
Y-21-509	67024-84A	each	SPEEDOMETER CABLE, (COMPLETE) <b>**INNER &amp; OUTER**</b> BIG TWIN 1985-1996
Y-21-508	67026-36A	each	SPEEDOMETER CABLE, (COMPLETE) <b>**INNER &amp; OUTER**</b> BIG TWIN 1937-1961
Y-21-510	67026-62	each	SPEEDOMETER CABLE, (COMPLETE) <b>**INNER &amp; OUTER**</b> BIG TWIN 1962-1980 & 80-'83
A-67026-81	67026-81	each	SPEEDOMETER CABLE, <b>**FRONT WHEEL**</b> (33-1/2" LONG), BIG TWIN 1981-1984
A-67038-84	67038-84	each	SPEEDOMETER CABLE, <b>**INNER &amp; OUTER**</b> (37-1/2" LONG), BIG TWIN 1984-1985
A-67048-83A	67048-83A	each	SPEEDOMETER CABLE, <b>**INNER &amp; OUTER**</b> (42-1/4" LONG), B/T 1980-1985, SP. '84-'86
Y-21-517	67051-70	each	SPEEDOMETER CABLE, (COMPLETE) <b>**INNER &amp; OUTER**</b> SPORTSTER 1970-1972
A-67051-73	67051-73	each	SPEEDOMETER CABLE, <b>**INNER &amp; OUTER**</b> (38-1/2" LONG), B/T 1973-1978, SP. "1973"
A-67051-74	67051-74	each	SPEEDOMETER CABLE, <b>**INNER &amp; OUTER**</b> (38-1/2" LONG), SP. 1974-1983, SP. 1979-'83
A-67052-78A	67052-78A	each	SPEEDOMETER CABLE, <b>**INNER &amp; OUTER**</b> (38-1/2" LONG), B/T 1973-1987, SP. 1983-'86
A-67054-83A	67054-83A	each	SPEEDOMETER CABLE, <b>**INNER &amp; OUTER**</b> (44-1/2" LONG), B/T 1984-1987, SP. "1983"
A-67057-41	67057-41	each	SPEEDOMETER CABLE, <b>**INNER ONLY**</b> (45" SOLO) FORTY-FIVE 194101973
A-67060-79A	67060-79A	each	SPEEDOMETER CABLE, <b>**INNER &amp; OUTER**</b> (41-1/2" LONG), B/T 1982-1983, SP. 1979-'82
A-67072-79	67072-79A	each	SPEEDOMETER CABLE, <b>**INNER &amp; OUTER**</b> (38-1/2" LONG), BIG TWIN 1980-1985
A-67078-85A	67078-85A	each	SPEEDOMETER CABLE, <b>**INNER &amp; OUTER**</b> (38" LONG), BIG TWIN 1986-PRESENT
A-92065-70	92065-70	each	TACHOMETER CABLE, <b>**INNER &amp; OUTER**</b> (29" LONG), SPORTSTER 1970-1973
A-92065-74	92062-65A	each	TACHOMETER CABLE, <b>**INNER &amp; OUTER**</b> (33-1/2" LONG), SPORTSTER 1974-1980
J-1-110		each	ROUTER RING ADAPTER, <b>**THROTTLE CABLE**</b> (3-BOLT HOLES)

**\*\*HANDLEBAR CONTROLS\*\***

**\*\*FLOORBOARDS\*\***

**\*\*KICKSTAND PARTS\*\***

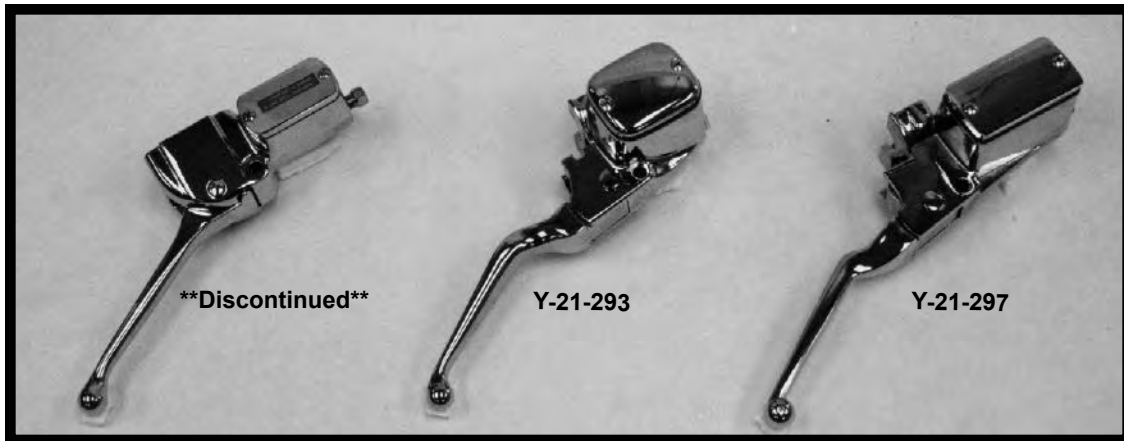
- 
- \* BRAKE LEVERS
  - \* CHAIN GUARDS
  - \* CLUTCH LEVERS
  - \* FENDERS
  - \* FLOORBOARDS, PADS & MOUNTING KITS
  - \* FOOT RESTS & PADS
  - \* HANDLEBAR GRIPS & PLUGS
  - \* KICKSTAND RELATED PARTS
  - \* MASTER CYLINDER ASSEMBLIES
  - \* MASTER CYLINDER COVERS
  - \* MASTER CYLINDER ADJUSTING SCREWS
  - \* SWITCH HOUSINGS
  - \* SWITCHES: ON-OFF, HEADLIGHT, HORN,
  - \* TURN SIGNAL SWITCHES

# **\*\*EASTERN MOTORCYCLE PARTS\*\***

## **\*\*HANDLE BAR CONTROLS\*\***

### **\*\*AND RELATED PARTS\*\***

#### **\*\*BIG TWIN-SPORTSTER\*\***



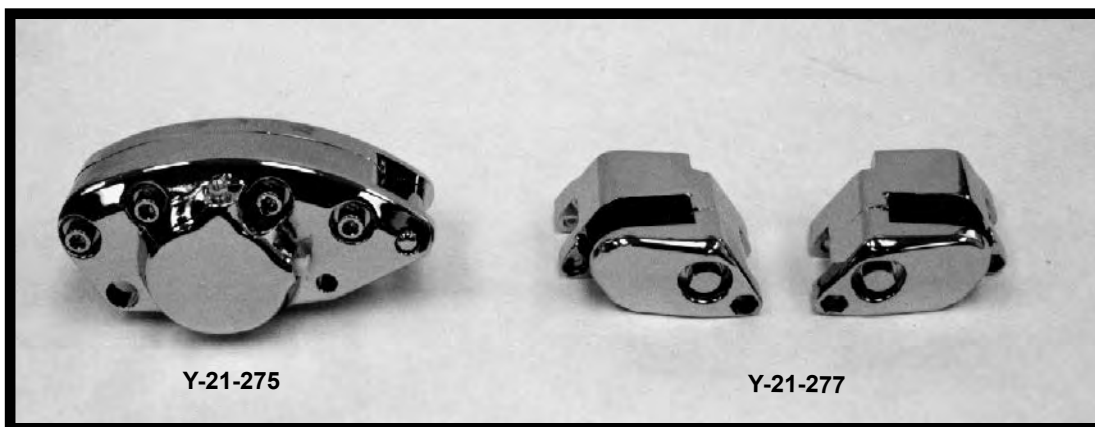
#### **EASTERN NUMBER**

#### **REPLACES OEM**

#### **DESCRIPTION**

Y-21-299	45013-82A each	MASTER CYLINDER ASSEMBLY, <b>**CHROME**</b> BIG TWIN 1982-1985, SPORT. 1982-1985 <b>**MASTER CYLINDER HAS A 3/4" PISTON**</b>
Y-21-298	45013-85B each	MASTER CYLINDER ASSEMBLY, <b>**CHROME**</b> BIG TWIN 1985-1992, SPORT. 1985-1995 <b>**MASTER CYLINDER IS FOR DUAL DISC AND HAS A 11/16" PISTON**</b>
Y-21-295	45013-96 each	MASTER CYLINDER ASSEMBLY, <b>**CHROME**</b> BIG TWIN 1996-2004, SPORT. 1996-2003 <b>**MASTER CYLINDER HAS A 11/16" PISTON**</b>
Y-21-297	45019-85A each	MASTER CYLINDER ASSEMBLY, <b>**CHROME**</b> BIG TWIN 1985-1992, SPORT. 1985-1995 <b>**MASTER CYLINDER IS FOR SINGLE DISC AND HAS A 5/8" PISTON**</b>
Y-21-293	45019-96 each	MASTER CYLINDER ASSEMBLY, <b>**CHROME**</b> BIG TWIN 1996-1999, SPORT. 1996-2003 <b>**MASTER CYLINDER HAS A 9/16" PISTON**</b>

**\*\*SEE PAGE 342, 343, 344 FOR MASTER CYLINDER REPAIR KITS\*\***



#### **EASTERN NUMBER**

#### **REPLACES OEM**

#### **DESCRIPTION**

Y-21-275	44000-78D each	BRAKE CALIPER, REAR DISC. <b>**CHROME**</b> BIG TWIN 1977-1982
Y-21-277	44025-79 pair	BRAKE CALIPERS, DUAL DISC. <b>**CHROME**</b> BIG TWIN 1977-1983, SPORTSTER 1977-'83
	44026-79	

**\*\*CONTINUED NEXT PAGE\*\***

**\*5120 HILDA ROAD\* BLACKVILLE, S.C. 29817\* 803-284-3304\***

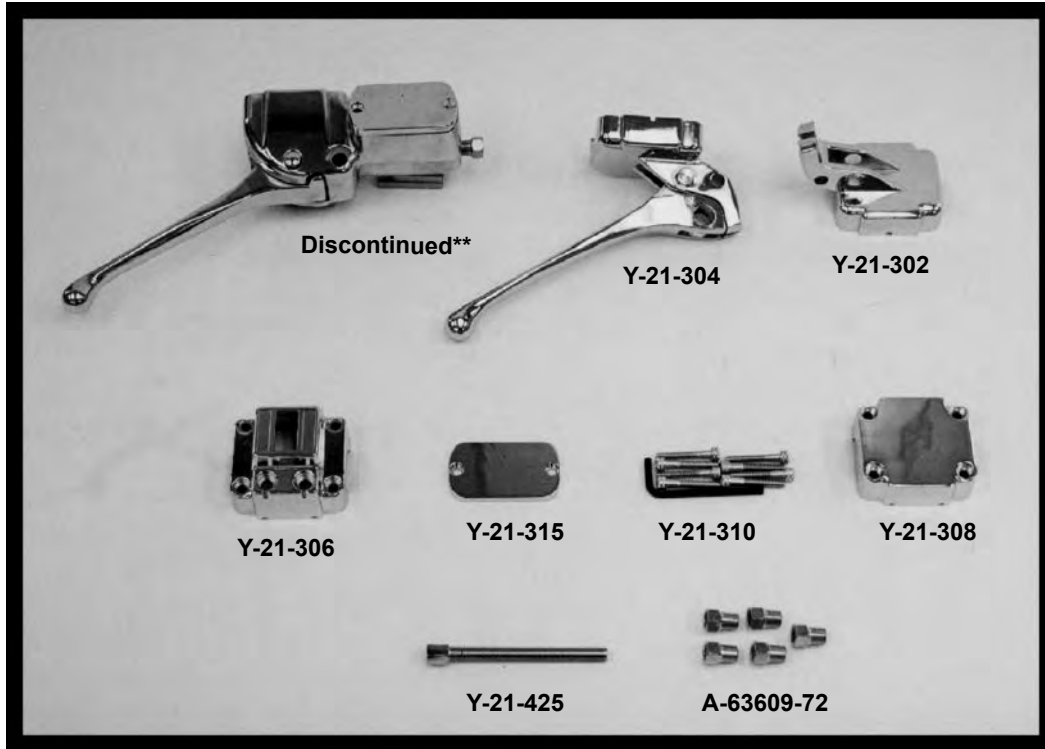
**\*Pg 360\***

**\*\*EASTERN MOTORCYCLE PARTS\*\***

**\*\*HANDLE BAR CONTROLS\*\***

**\*\*AND RELATED PARTS\*\***

**\*\*BIG TWIN-SPORTSTER\*\***



**\*\*CONTINUED ON NEXT PAGE\*\***

# **\*\*EASTERN MOTORCYCLE PARTS\*\***

## **\*\*HANDLE BAR CONTROLS\*\***

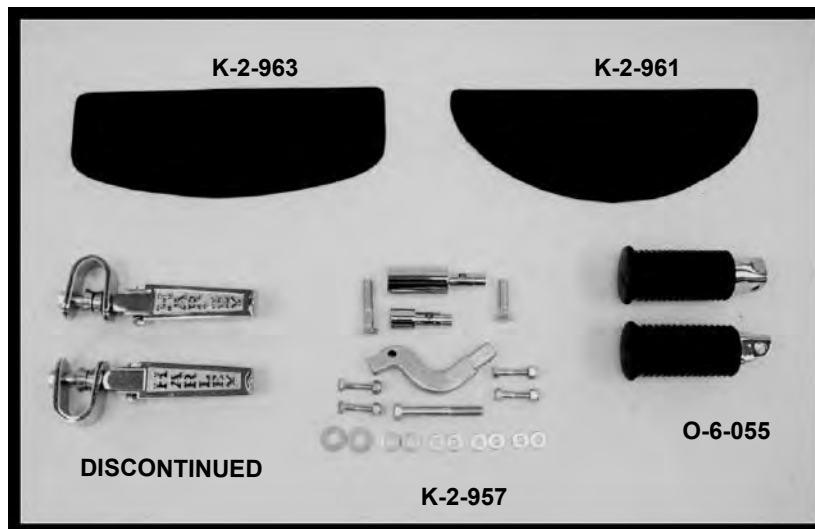
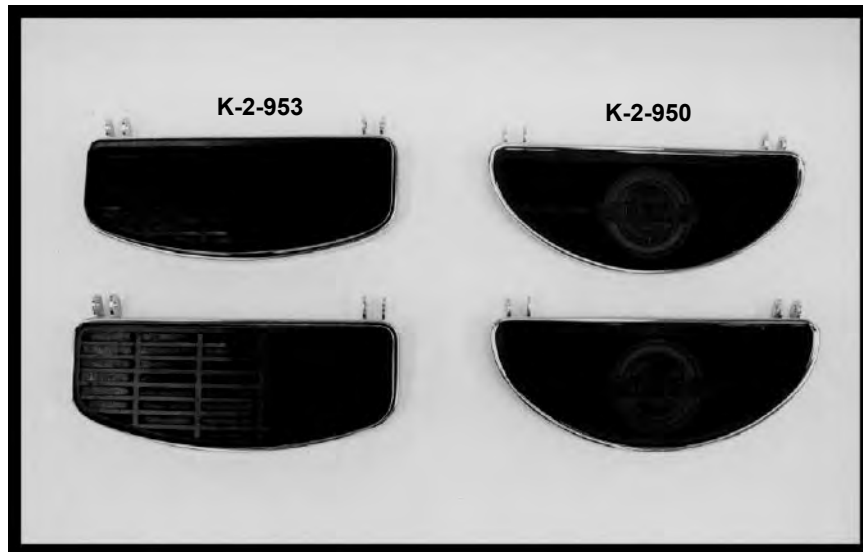
### **\*\*AND RELATED PARTS\*\***

#### **\*\*BIG TWIN-SPORTSTER\*\***

<b><u>EASTERN NUMBER</u></b>	<b><u>REPLACES OEM</u></b>		<b><u>DESCRIPTION</u></b>
Y-21-310	2695W	set-8	SCREW KIT, MASTER CYLINDER & CLUTCH BRACKET, BIG TWIN 1972-1981 SCREW KIT, MASTER CYLINDER & CLUTCH BRACKET, SPORTSTER 1973-1981
A-6811W	6811W	pk-10	WASHER, FRONT HAND BRAKE, BIG TWIN 1977-1981, SPORTSTER 1973-1981
A-10001	10001	pk-10	CLAMP, HANDLE BAR SWITCHES, BIG TWIN 1949-1984, SPORTSTER 1954-1973
Y-21-302	38608-73	each	CLUTCH LEVER BRACKET, <b>**CHROME**</b> BIG TWIN 1972-1981, SPORTSTER 1973-1981
Y-21-304	38609-72	each	HAND LEVER AND BRACKET, <b>**CHROME**</b> BIG TWIN 1972-1981, SPORTSTER 1973-1981
A-41731-82	41731-82	pk-25	WASHERS, HANDLEBAR MASTER CYLINDER, BIG TWIN 1983-1989, SPORT. 1982-1989
J-1-92	41836-84	each	SPRING, KICKSTAND RETURN, SPORTSTER 1985-1988
A-45012-72	45012-72	pk-10	GASKET, MASTER CYLINDER COVER, BIG TWIN 1972-1981, SPORTSTER 1973-1981
Y-21-440	45016-72	each	BRAKE LEVER, (POWER GRIP) <b>**CHROME**</b> BIG TWIN 1972-1981, SPORT. 1973-1981
Y-21-436	45016-72	each	DISC BRAKE LEVER, STD TYPE, <b>**CHROME**</b> BIG TWIN 1972-1981, DISC BRAKE LEVER, STD TYPE, <b>**CHROME**</b> SPORTSTER 1973-1981
Y-21-445	45016-82	each	BRAKE LEVER, <b>**CHROME**</b> BIG TWIN 1982-2007, SPORTSTER 1982-2003
Y-21-447	45017-82A	each	CLUTCH LEVER, <b>**CHROME**</b> BIG TWIN 1982-1987, SPORTSTER 1982-1987
Y-21-439	45024-65A	each	CLUTCH LEVER, (POWER GRIP) <b>**CHROME**</b> BIG TWIN 1972-1981, SPORT. 1973-1981
Y-21-435	45024-65A	each	CLUTCH LEVER, STD TYPE, <b>**CHROME**</b> BIG TWIN 1965-1981, SPORTSTER 1965-1981
A-45031-72	45031-72	pk-5	PINS, MASTER CYLINDER PLUNGER, BIG TWIN 1972-1981, SPORTSTER 1973-1981
A-45032-72	45032-72	pk-5	PINS, MASTER CYLINDER HAND LEVER PIVOT, BIG TWIN 1972-1981, SPORT 1973-1981
Y-21-433	45036-68	pk-5	PIN & BUSHING KIT, CLUTCH AND BRAKE LEVERS, BIG TWIN 1968-1952, SP. 1965-1982
A-45036-82	45036-82	each	PIN & BUSHINGS, CLUTCH LEVER, BIG TWIN 1982-1988, SPORTSTER 1982-1988
A-45036-88	45036-88	pk-10	PIVOT PIN, FOR CLUTCH LEVER, BIG TWIN 1988-2007, SPORTSTER 1988-2003
A-45055-72	45055-72	pk-5	PLUNGER, MASTER CYLINDER, <b>**FRONT**</b> BIG TWIN 1972-1981, SPORT. 1973-1981
Y-21-315	45057-72	each	MASTER CYLINDER COVER, <b>**CHROME**</b> BIG TWIN 1972-1981, SPORTSTER 1973-1981
Y-21-317	45057-82	each	MASTER CYLINDER COVER, <b>**CHROME**</b> BIG TWIN 1982-1985, SPORTSTER 1982-1985
A-45059-72	45059-72	pk-10	SPRING CUP, MASTER CYLINDER, BIG TWIN 1972-1981, SPORTSTER 1973-1981
A-45061-72A	45061-72A	pk-10	SPRINGS, FRONT MASTER CYLINDER RETURN, BIG TWIN 1972-1981, SP. 1973-1981
A-45071-72	45071-72	pk-10	SPRINGS, FRONT MASTER CYLINDER PLUNGER, BIG TWIN 1972-1981, SP. 1973-1981
Y-21-425	45159-50	each	ADJUSTING SCREW, FRONT BRAKE CABLE, BIG TWIN 1949-1972, SPORT. 1952-1972
A-45583-83	45583-83	pk-25	WASHERS, HANDLEBAR MASTER CYLINDER, BIG TWIN 1984-1991, SPORT. 1984-1991
A-56158-73	56158-73	pk-4	RUBBER BUSHINGS, HANDLE BAR MOUNT, BIG TWIN 1973-1991, SPORT. 1973-PRES
K-2-780	56205-62A	pair	HANDLE BAR GRIPS
A-56216-53	56216-53	pk-10	SPRINGS, HANDLE BAR END GRIP, BIG TWIN 1953-1974, SPORTSTER 1953-1974
A-63609-72	63609-72	pk-5	FITTING, MASTER CYLINDER, FRONT BRAKE LINE, BIG TWIN 1973-1981, SP. 1973-1977
Y-21-306	71539-73B	each	SWITCH HOUSING, <b>**CHROME**</b> BIG TWIN 1972-1981, SPORTSTER 1973-1981
Y-21-308		each	SWITCH HOUSING, (PLAIN) <b>**CHROME**</b> BIG TWIN 1972-1981, SPORTSTER 1973-1981

# **\*\*EASTERN MOTORCYCLE PARTS\*\***

## **\*\*FLOOR BOARDS\*\* \*\*AND RELATED PARTS\*\***



<u>EASTERN NUMBER</u>	<u>REPLACES OEM</u>	<u>DESCRIPTION</u>
K-2-950	50603-40 pair	FLOOR BOARDS WITH PADS, BIG TWIN 1941-1965
K-2-952	50603-66 pair	FLOOR BOARDS WITH PADS, BIG TWIN 1965-1974
K-2-953	50603-74A pair	FLOOR BOARDS WITH PADS AND BUMPERS, BIG TWIN 1966-1984
K-2-961	50614-40 pair	RUBBER PADS, FOR FLOOR BOARDS, BIG TWIN 1980-PRESENT
K-2-963	50614-66 pair	RUBBER PADS, FOR FLOOR BOARDS, BIG TWIN 1966-PRESENT
K-2-954	50621-79 pair	FLOOR BOARDS WITH PADS AND BUMPERS, BIG TWIN 1980-PRESENT
O-6-055	50939-52 pair	FOOT RESTS WITH BLACK COVERS, BIG TWIN 1948-1985, SPORTSTER 1952-1990
K-2-783	50940-52 pair	FOOT REST RUBBER <b>**BLACK**</b> BIG TWIN 1954-1991, SPORTSTER 1952-1991
K-2-957	kit	FLOOR BOARD MOUNTING KIT, BIG TWIN 1966-1984
C-8773-12		FOOTBOARD HINGE BOLT KIT, <b>**CADMIUM**</b> BIG TWIN 1929-PRESENT
C-9685-12		FOOTBOARD HINGE BOLT KIT, <b>**PARKERIZED**</b> BIG TWIN 1929-PRESENT
C-8774-18		FOOT BOARD HINGE BOLT KIT, (BUDDY FOOTREST) <b>**CADMIUM**</b> BIG TWIN 1929-P.
C-9722-18		FOOT BOARD HINGE BOLT KIT, (BUDDY FOOTREST) <b>**PARKERIZED**</b> BIG TWIN 1929-P

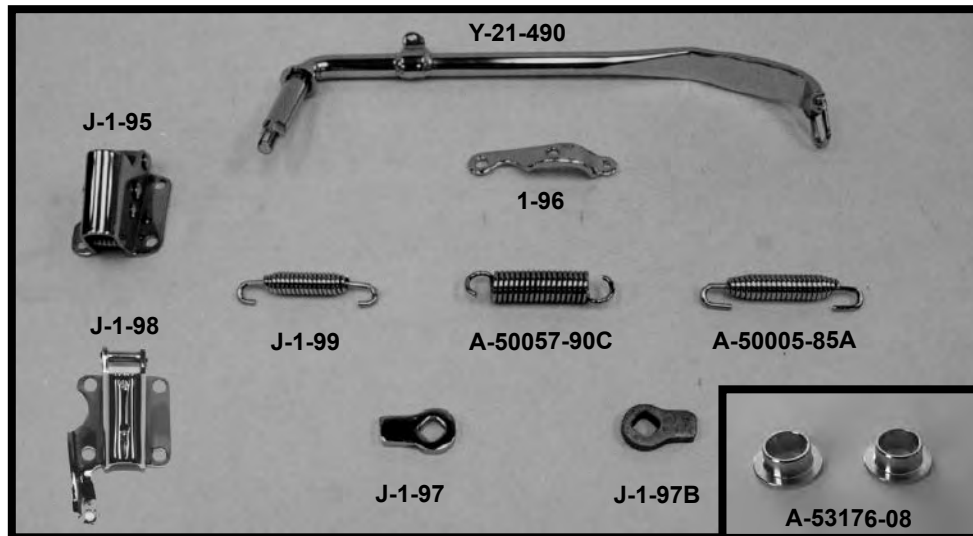
**\*5120 HILDA ROAD\* BLACKVILLE, S.C. 29817\* 803-284-3304\***

# **\*\*EASTERN MOTORCYCLE PARTS\*\***

## **\*\*KICK STAND\*\***

### **\*\*AND RELATED PARTS\*\***

#### **\*\*BIG TWIN-SPORTSTER\*\***



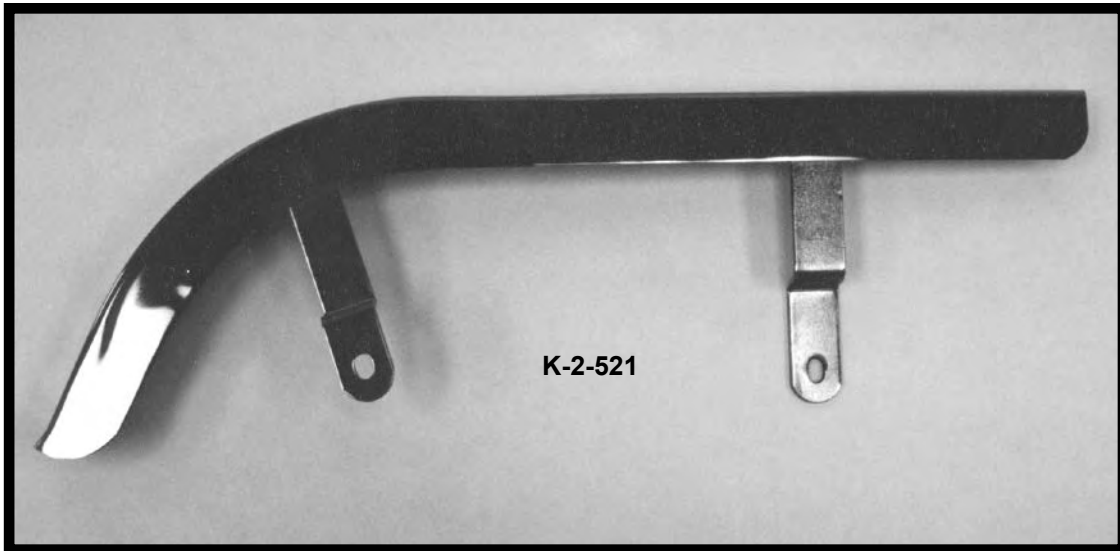
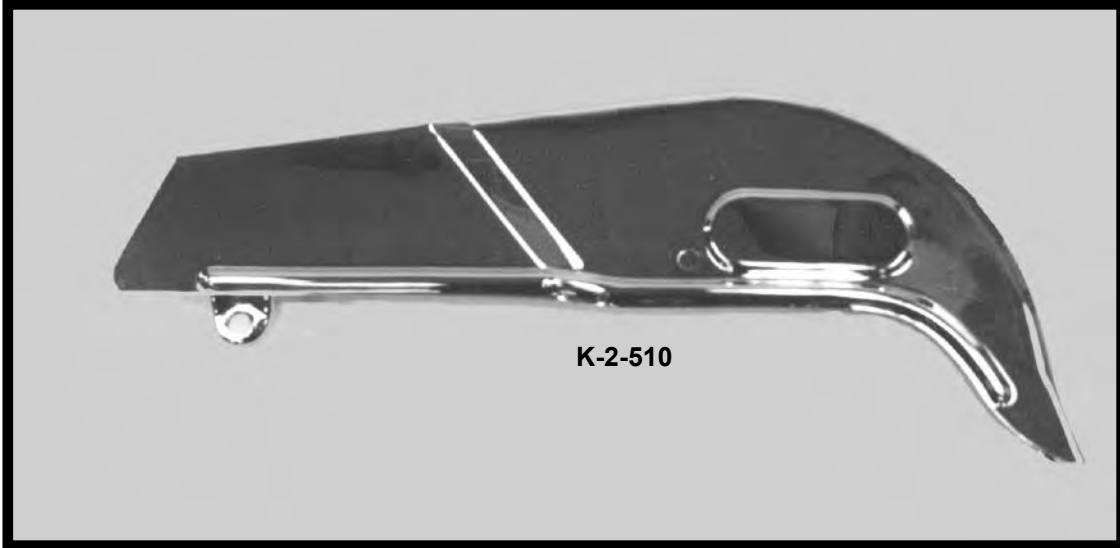
<u>EASTERN NUMBER</u>	<u>REPLACES OEM</u>	<u>DESCRIPTION</u>
A-49570-38	49570-38 pk-10	BOLTS, REAR STAND MOUNT, BIG TWIN 1938-1957, FORTY-FIVE 1939-1973
A-50005-85A	50005-85A each	KICK STAND SPRING, <b>**CHROME**</b> BIG TWIN 1985-1998, SPORTSTER 1991-PRES.
J-1-99	50011-30A each	KICK STAND SPRING, <b>**CHROME**</b> BIG TWIN 1936-1984, SPORTSTER 1954-1984
J-1-79	50012-30 each	KICK STAND SPRING, <b>**PARKERIZED**</b> FORTY-FIVE 1930-1952 <b>**MADE IN U.S.A.**</b>
Y-21-497	50013-74A each	KICK STAND ASSEMBLY ( <b>COMPLETE</b> ) <b>**CHROME**</b> BIG TWIN 1958-1974
J-1-95	50014-36 each	KICK STAND MOUNTING BRACKET, <b>**CHROME**</b> BIG TWIN 1936-1980
J-1-98	50041-80 each	KICK STAND MOUNTING BRACKET, <b>**CHROME**</b> BIG TWIN 1980-1984
J-1-97	50015-74 each	KICK STAND LEG STOP, <b>**CHROME**</b> BIG TWIN 1936-1986
J-1-97B	50094-36 each	KICK STAND LEG STOP, <b>**PLAIN**</b> BIG TWIN 1936-1986
J-1-96	50028-74A each	KICK STAND SPRING PLATE, <b>**CHROME**</b> BIG TWIN 1936-1986
Y-21-495	50040-80 each	KICK STAND ASSEMBLY ( <b>COMPLETE</b> ) <b>**CHROME**</b> BIG TWIN 1980-1984
A-50057-90	50057-90 each	RETURN SPRING, <b>**ZINC**</b> BIG TWIN 1991-1994
A-50057-90C	50057-90C each	RETURN SPRING, <b>**CHROME**</b> BIG TWIN 1991-1994
Y-21-490	50061-36E each	KICK STAND, (OEM STYLE) <b>**CHROME**</b> BIG TWIN 1937-1996
Y-21-492	50069-82A each	KICK STAND, <b>**CHROME**</b> BIG TWIN 1982-1990
A-53158-98	53158-98 pair	BUSHINGS, KICKSTAND ( <b>BRONZE</b> ) SPORTSTER 1989-2003
A-53176-08	53176-08 pair	BUSHINGS, KICKSTAND ( <b>BRONZE</b> ) SPORTSTER 2007-PRESENT
C-7803-11		KICKSTAND MOUNTING KIT, <b>**ACORN CHROME**</b> BIG TWIN 1936-1985
C-9617-18		JIFFY STAND MOUNTING KIT, <b>**CHROME PLATED**</b> BIG TWIN 1936-1978
C-9618-18		JIFFY STAND MOUNTING KIT, <b>**CADMIUM PLATED**</b> BIG TWIN 1936-1978
C-9619-18		JIFFY STAND MOUNTING KIT, <b>**PARKERIZED**</b> BIG TWIN 1936-1978



**\*\*EASTERN MOTORCYCLE PARTS\*\***

**\*\*CHAIN GUARDS\*\***

**\*\*BIG TWIN-SPORTSTER\*\***



**EASTERN  
NUMBER**  
K-2-510  
K-2-521

**REPLACES  
OEM**  
60302-63  
60375-79

**DESCRIPTION**  
CHAIN GUARD, **\*\*OEM STYLE\*\*** CHROME, BIG TWIN 1963-1984  
CHAIN GUARD, CHROME, SPORTSTER 1979-1981

# **\*\*EASTERN MOTORCYCLE PARTS\*\***

## **\*\*FENDERS\*\***

### **\*\*FRONT AND REAR\*\***

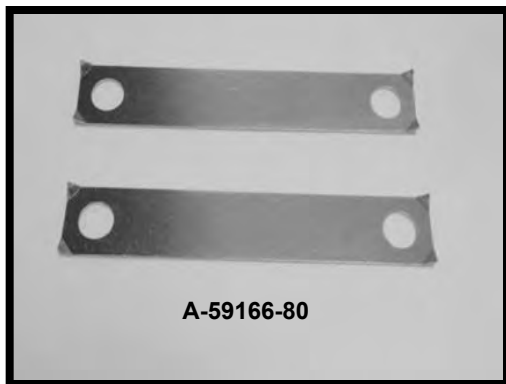
### **\*\*BIG TWIN-SPORTSTER\*\***



5-164  
DISCONTINUED



5-168  
DISCONTINUED



A-59166-80



V-13-214



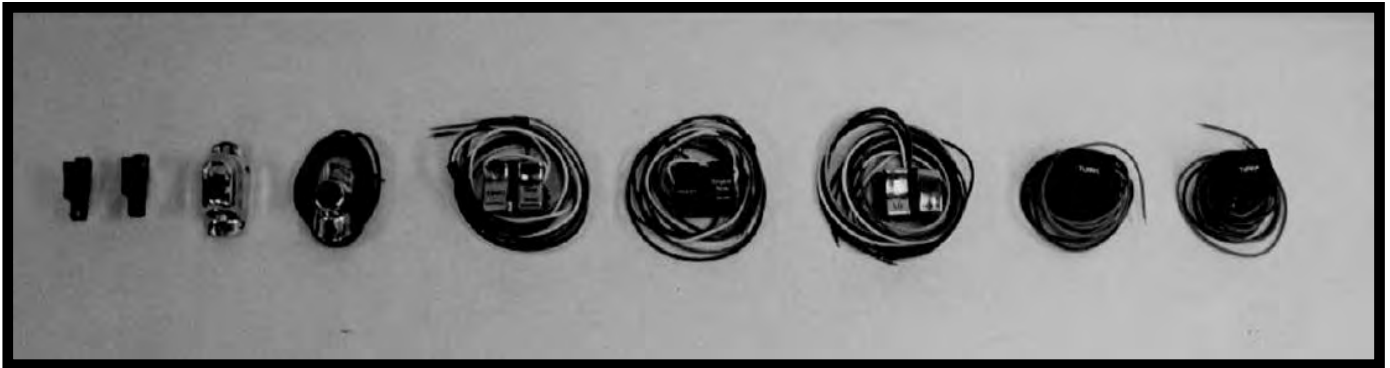
V-13-216

<u>EASTERN NUMBER</u>	<u>REPLACES OEM</u>		<u>DESCRIPTION</u>
K-2-523	59800-36	pair	FENDER CLAMPS ONLY, REAR, BIG TWIN 1936-1957
A-59140-34	59140-34	pk-5	FRONT FENDER BRACE CLIP LOCKS <b>**LEFT SIDE**</b> BIG TWIN 1934-1948, FORTY-FIVE 1940-1954
A-59142-34	59142-34	pk-5	FRONT FENDER BRACE CLIP LOCKS <b>**RIGHT SIDE**</b> BIG TWIN 1934-1948, FORTY-FIVE 1940-1954
A-59166-80	59166-80	pk-10	LOCK PLATE, FRONT FENDER MOUNT, <b>**ZINC PLATED**</b> BIG TWIN 1980-2013
V-13-214		kit	LICENSE PLATE LAYDOWN MOUNT, <b>**CHROME**</b> BIG TWIN 1973-UP, SPORT 1973-UP
V-13-216		kit	LICENSE PLATE LAYDOWN MOUNT, <b>**BLACK**</b> BIG TWIN 1973-UP, SPORT 1973-UP

# **\*\*EASTERN MOTORCYCLE PARTS\*\***

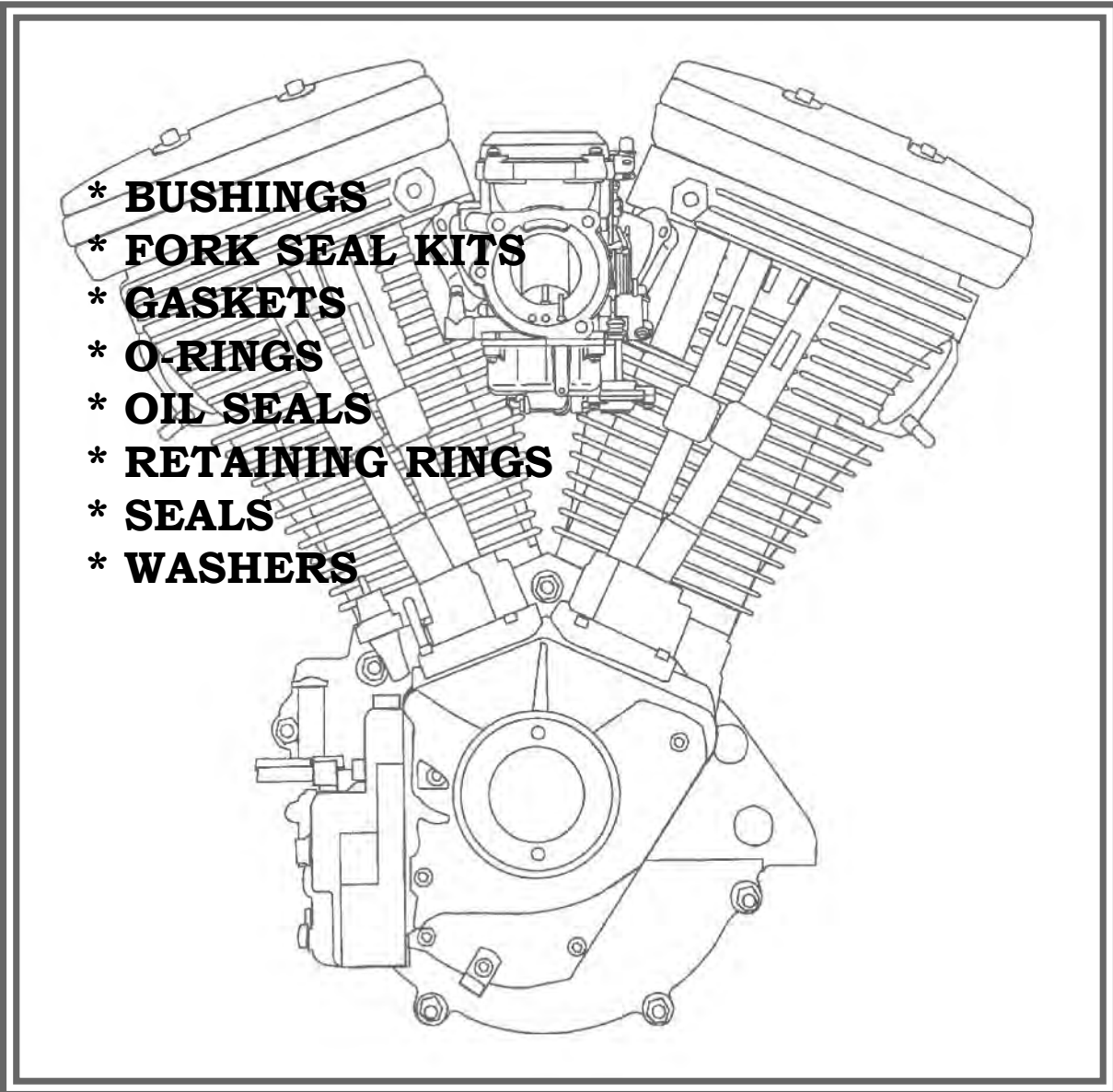
## **\*\*HANDLE BAR SWITCHES\*\***

### **\*\*BIG TWIN-SPORTSTER\*\***



<u>EASTERN NUMBER</u>	<u>REPLACES OEM</u>	<u>DESCRIPTION</u>
A-71546-75B	71546-75B each	HEAD LIGHT HI-LOW SWITCH, <b>**ROCKER STYLE**</b> BIG TWIN 1972-1981, HEAD LIGHT HI-LOW SWITCH, <b>**ROCKER STYLE**</b> SPORTSTER 1972-1981
A-71547-75A	71547-75A each	RUN-OFF SWITCH, <b>**ROCKER STYLE**</b> BIG TWIN 1972-1981, SPORTSTER 1972-1981
30-0230	71571-82 each	START & RUN-OFF SWITCH, <b>**BLACK**</b> BIG TWIN 1982-1995, SPORTSTER 1982-1995
	71589-92	
30-0232	71571-82 each	START & RUN-OFF SWITCH, <b>**CHROME**</b> BIG TWIN 1982-1995, SPORTSTER 1982-1995
	71589-92	
30-0264	71589-96 each	START & RUN-OFF SWITCH, <b>**BLACK**</b> BIG TWIN 1996-2008., SPORTSTER 1996-2008
30-0266	71589-96C each	START & RUN-OFF SWITCH, <b>**CHROME**</b> BIG TWIN 1996-2008, SPORTSTER 1996-2008
30-0250	71573-82 each	HORN & HI-LOW DIMMER SWITCH, <b>**BLACK**</b> BIG TWIN 1982-1995, SPORT. 1982-1995
	71597-92	
30-0252	71573-82 each	HORN & HI-LOW DIMMER SWITCH, <b>**CHROME**</b> BIG TWIN 1982-1995, SP. 1982-1995
	71597-92	
30-0282	71597-96 each	HORN & HI-LOW DIMMER SWITCH, <b>**BLACK**</b> BIG TWIN 1996-2008, SPORT. 1996-2008
30-0286	71597-96C each	HORN & HI-LOW DIMMER SWITCH, <b>**CHROME**</b> BIG TWIN 1996-2008., SPORT. 1996-08
30-0238	71574-82 each	STOP LIGHT SWITCH, <b>**BLACK**</b> BIG TWIN 1982-1995, SPORTSTER 1982-1995
	71590-92	
30-0270	71590-96 each	STOP LIGHT SWITCH, <b>**BLACK**</b> BIG TWIN 1996-2008, SPORTSTER 1996-2009
30-0242	71591-82 each	RIGHT TURN SIGNAL SWITCH, <b>**BLACK**</b> BIG TWIN 1982-1995, SPORTSTER 1982-1995
	71591-92	
30-0244	71591-82 each	RIGHT TURN SIGNAL SWITCH, <b>**CHROME**</b> BIG TWIN 1982-1995, SPORT. 1982-1995
	71591-92	
30-0274	71591-96 each	RIGHT TURN SIGNAL SWITCH, <b>**BLACK**</b> BIG TWIN 1996-2008, SPORTSTER 1996-2008
30-0278	71591-96C each	RIGHT TURN SIGNAL SWITCH, <b>**CHROME**</b> BIG TWIN 1996-2008, SPORTSTER 1996-'08
30-0256	71570-82 each	LEFT TURN SIGNAL SWITCH, <b>**BLACK**</b> BIG TWIN 1982-1995, SPORTSTER 1982-1995
	71598-92	
30-0258	71570-82 each	LEFT TURN SIGNAL SWITCH, <b>**CHROME**</b> BIG TWIN 1982-1995, SPORTSTER 1982-1995
	71598-92	
30-0292	71598-96 each	LEFT TURN SIGNAL SWITCH, <b>**BLACK**</b> BIG TWIN 1996-2008, SPORTSTER 1996-2008
30-0296	71598-96C each	LEFT TURN SIGNAL SWITCH, <b>**CHROME**</b> BIG TWIN 1996-2008, SPORTSTER 1996-2008
A-71800-26A	71800-26A each	HORN OR STARTER, <b>**CHROME**</b> BIG TWIN 1936-1981, SPORTSTER 1954-1981
A-71840-29	71840-29 each	HEAD LIGHT HI-LOW DIMMER SWITCH, BIG TWIN 1936-1981, SPORTSTER 1954-1981

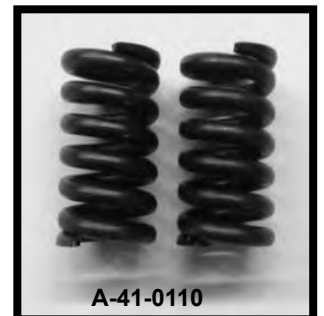
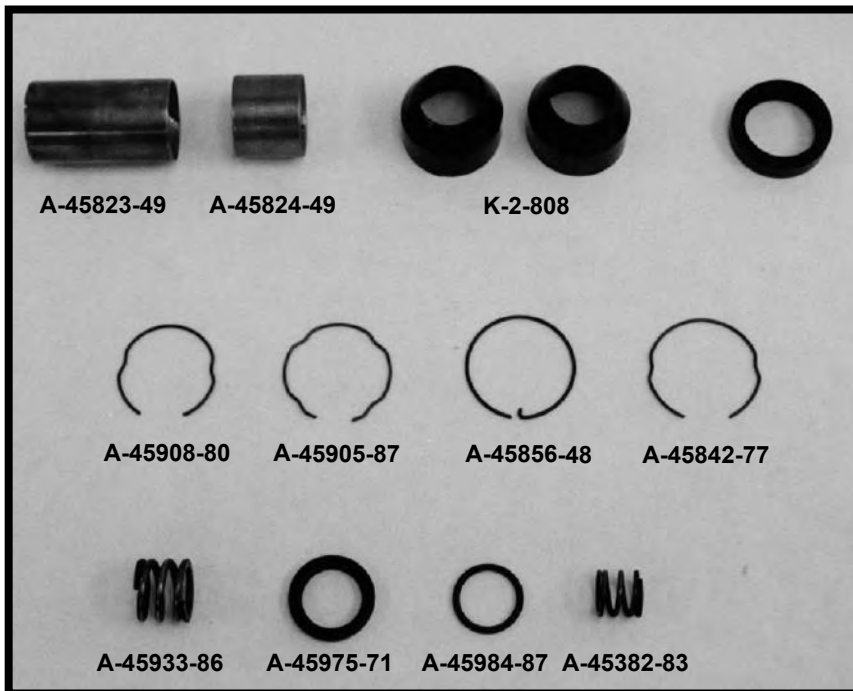
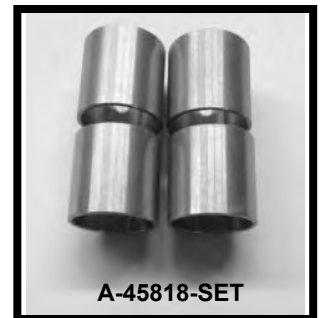
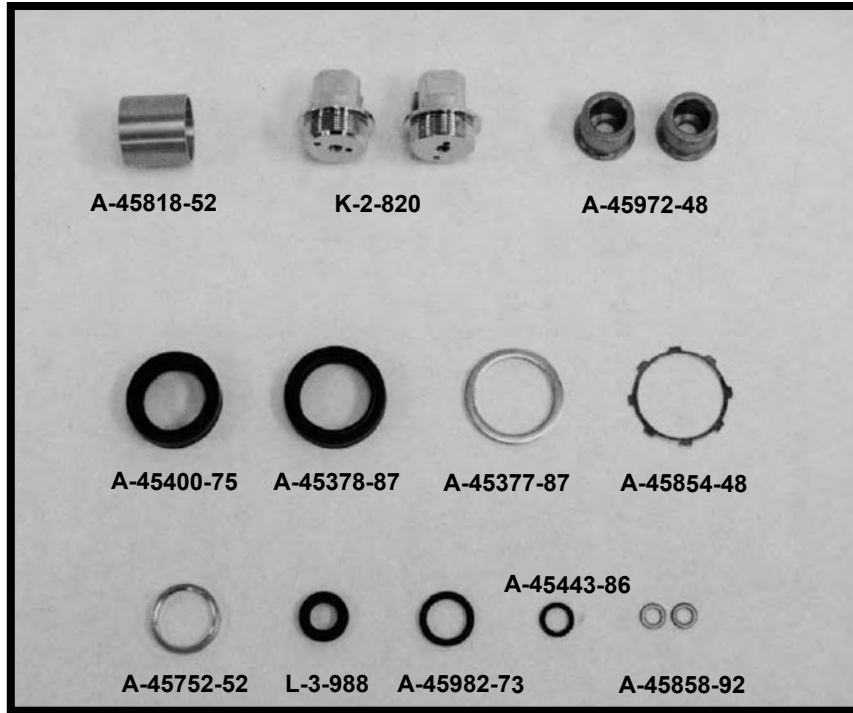
**\*\*FRONT FORKS\*\***



# **\*\*EASTERN MOTORCYCLE PARTS\*\***

## **\*\*FRONT FORK RELATED PARTS\*\***

### **\*\*BIG TWIN-SPORTSTER\*\***



**\*\*CONTINUED NEXT PAGE\*\***

# **\*\*EASTERN MOTORCYCLE PARTS\*\***

## **\*\*FRONT FORK RELATED PARTS\*\***

### **\*\*BIG TWIN-SPORTSTER\*\***

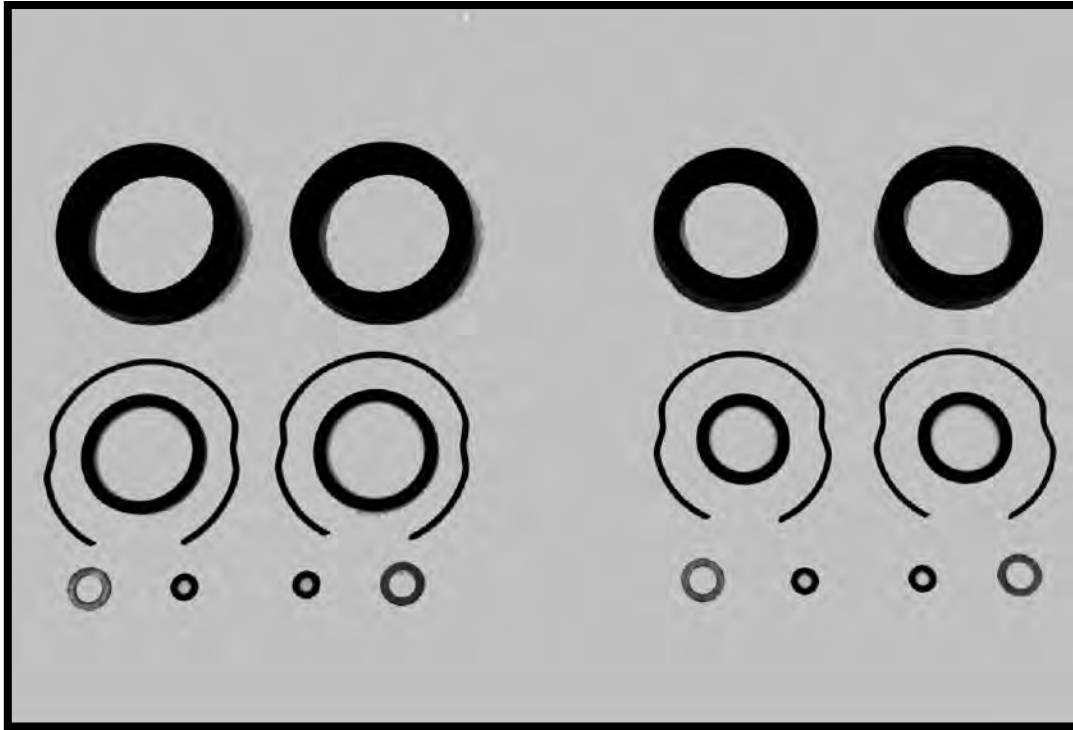
<b>EASTERN NUMBER</b>	<b>REPLACES OEM</b>	<b>DESCRIPTION</b>
41-0110	45374-87	pk-10 SPRING, SLIDER DAMPER TUBES, (FRONT END) BIG TWIN 1987-PRES., SPORT. 1987-P.
A-45377-87	45377-87	pk-10 SPACER, FRONT FORK OIL SEAL, BIG TWIN 1987-1999, SPORTSTER 1988-2009
A-45378-87	45378-87	pk-5 OIL SEALS, FRONT FORK SLIDER TUBE, BIG TWIN 1987-1996, SPORTSTER 1988-2009
A-45382-83	45382-83	pk-10 SPRINGS, SLIDER DAMPER TUBES, BIG TWIN 1984-1987, SPORTSTER 1984-1987
A-45387-83	45387-83	pk-5 OIL SEALS, FRONT FORK, BIG TWIN 1985-1990, SPORTSTER 1984-1987
A-45400-75	45400-75	pk-5 OIL SEALS, FRONT FORK. BIG TWIN 1976-1983, SPORTSTER 1975-1983
A-45403-75	45403-75	pk-10 WASHER (FIBER) LOWER LEG DRAIN SCREW, BIG TWIN 1976-1979, SPORT. 1975-1979
A-45406-75	45406-75	pk-10 WASHER (COPPER) DAMPER TUBE SCREWS, BIG TWIN 1976-1990, SPORT. 1975-1990
A-45443-86	45443-86	pk-10 O-RINGS, FRONT FORK UPPER TUBE, BIG TWIN 1986-1998
L-3-988	45733-48	pk-10 RUBBER WASHER, FORK TUBE CAP, BIG TWIN 1949-1977
A-45752-52	45752-52	pk-5 SPACER, UPPER FORK BRACKET, SPORTSTER 1952-1978
K-2-820	45776-49	pair FORK TUBE PLUGS, **FRONT FORKS** BIG TWIN 1949-1977
A-45780-52	45780-52	pk-10 O-RINGS, FRONT FORK TUBE CAP, SPORTSTER 1954-1970
A-45790-80	45790-80	pk-10 DRAIN SCREWS AND COPPER WASHERS, BIG TWIN 1976-1999, SPORT. 1979-PRES.
A-45803-97	45803-97	pair FORK LEGS LOWER STOP <b>**ALUMINUM**</b> BIG TWIN 1997-PRESENT
A-45818-52	45818-52	each BUSHING, FRONT FORK TUBE LEG, SPORTSTER 1954-1972
A-45818-SET		set-4 BUSHINGS, FRONT FORK TUBE LEG, SPORTSTER 1954-1972
A-45823-49	45823-49	each BUSHING, LOWER FORK TUBE (LONG) BIG TWIN 1949-1977
A-45824-49	45824-49	each BUSHING, UPPER FORK TUBE (SHORT) BIG TWIN 1949-1977
A-45824-SET		set-4 BUSHINGS, UPPER & LOWER FORK TUBE (LONG & SHORT) BIG TWIN 1949-1977 <b>SET INCLUDES: (2) 45823-49 (2) 45824-49</b>
A-45842-77	45842-77	pk-10 RETAINING RING, TOP SLIDER TUBE, BIG TWIN 1977-1984
A-45845-77	45845-77	pk-10 O-RINGS, SLIDER TUBE PLUG, BIG TWIN 1977-PRESENT
A-45847-84	45847-84	pk-10 RETAINING RING, FRONT FORK, <b>**OIL SEAL**</b> BIG TWIN 1984-1996
L-3-985	45850-48	pk-10 FELT WASHER, UPPER FORK LEG, BIG TWIN 1949-1977
A-45852-48	45852-48	pk-5 OIL SEALS, UPPER FORK LEG, BIG TWIN 1949-1977
A-45854-48	45854-48	pk-10 RETAINER WASHER, FRONT FORKS, BIG TWIN 1949-1977
A-45855-77	45855-77	pk-10 SPRINGS, DAMPER TUBES <b>**SHOWA**</b> BIG TWIN 1977-1984, SPORTSTER 1980-PRES.
A-45856-48	45856-48	pk-10 RETAINING RING, TOP SLIDER TUBE, BIG TWIN 1949-1977
A-45858-92	45858-92	pk-10 WASHERS, DRAIN SCREW DAMPER TUBES, BIG TWIN L/1977-PRESENT
A-45865-84	45865-84	pk-10 WASHER, SEAL SPACER <b>**FRONT FORKS**</b> BIG TWIN 1984-PRESENT
A-45875-84	45875-84	pk-5 OIL SEALS, FRONT FORK TUBE, BIG TWIN 1984-PRESENT
A-45905-87	45905-87	pk-10 RETAINING RING, TOP SLIDER TUBE, BIG TWIN 1987-1999, SPORTSTER 1980-2009
A-45908-80	45908-80	pk-10 RETAINING RING, TOP SLIDER TUBE, BIG TWIN 1980-1987, SPORTSTER 1979-1985
A-45927-73	45927-73	pk-5 OIL SEALS, FRONT FORKS <b>**KAYABA**</b> BIG TWIN 1973-1976, SPORTSTER 1973-1974
A-45933-86	45933-86	pk-10 SPRINGS, DAMPER TUBES <b>**SHOWA**</b> BIG TWIN 1987-PRESENT
A-45972-48	45972-48	pair BUSHINGS, FRONT FORK TUBE, BIG TWIN 1949-1977
A-45975-71	45975-71	pk-5 OIL SEALS, FRONT FORK TUBE, BIG TWIN 1971-1972, SPORTSTER 1971-1972
A-45982-73	45982-73	pk-10 O-RINGS, SLIDER TUBE CAP, BIG TWIN 1973-PRESENT, SPORTSTER 1973-PRESENT
K-2-808	45983-73	pair FORK BOOT RUBBER <b>**KAYABA FORKS**</b> BIG TWIN 1973-1974, SPORT, 1973-1974
A-45984-87	45984-87	pk-10 O-RINGS, SLIDER TUBE PLUG, BIG TWIN 1987-PRESENT
A-45986-73	45986-73	pk-10 WASHERS, DRAIN SCREW (FIBER) BIG TWIN 1973-1977, SPORTSTER 1973-1974
A-45992-73	45992-73	pk-10 WASHERS, DAMPER TUBE SCREWS (FIBER) BIG TWIN 1973-1977, SPORT. 1973-1974
A-45997-73	45997-73	pk-10 WASHERS, SLIDER TUBE CAP <b>**FRONT FORKS**</b> BIG TWIN 1973-1987, SPORT. 1973-'87
L-3-986	46111-48	pk-10 GASKETS, DAMPER TUBES, BIG TWIN 1949-1977
L-3-987	46125-48	pk-10 GASKETS, DAMPER BUSHING TUBE, BIG TWIN 1949-1977
A-46514-01	46514-01	pk-5 OIL SEALS, FRONT FORK LEG, BIG TWIN 2001-PRESENT
A-46515-01	46515-01	set-4 SPACERS, FRONT FORKS BIG TWIN 2007-2014, V-ROD 2002-2006
A-46615-06	46615-06	pk-10 WASHERS, FRONT FORK LEGS <b>(COPPER)</b> BIG TWIN 2006-2013
E-201	48311-60	pair BEARING CUPS, WITHOUT INNER RACE, <b>**CHROME PLATED**</b> BIG TWIN 1948-1984
A-48365-48A	48365-48A	pk-5 DUST SHIELD, LOWER HEAD BEARING, <b>**ZINC PLATED**</b> BIG TWIN 1948-PRESENT
A-63609-72	63609-72	pk-5 TUBE FITTING, FRONT FORK HOSE, BIG TWIN 1973-1981, SPORTSTER 1973-1977

# **\*\*EASTERN MOTORCYCLE PARTS\*\***

## **\*\*FORK SEAL KITS\*\***

### **\*\*BIG TWIN-SPORTSTER\*\***

#### **\*\*MASTER LISTING\*\***



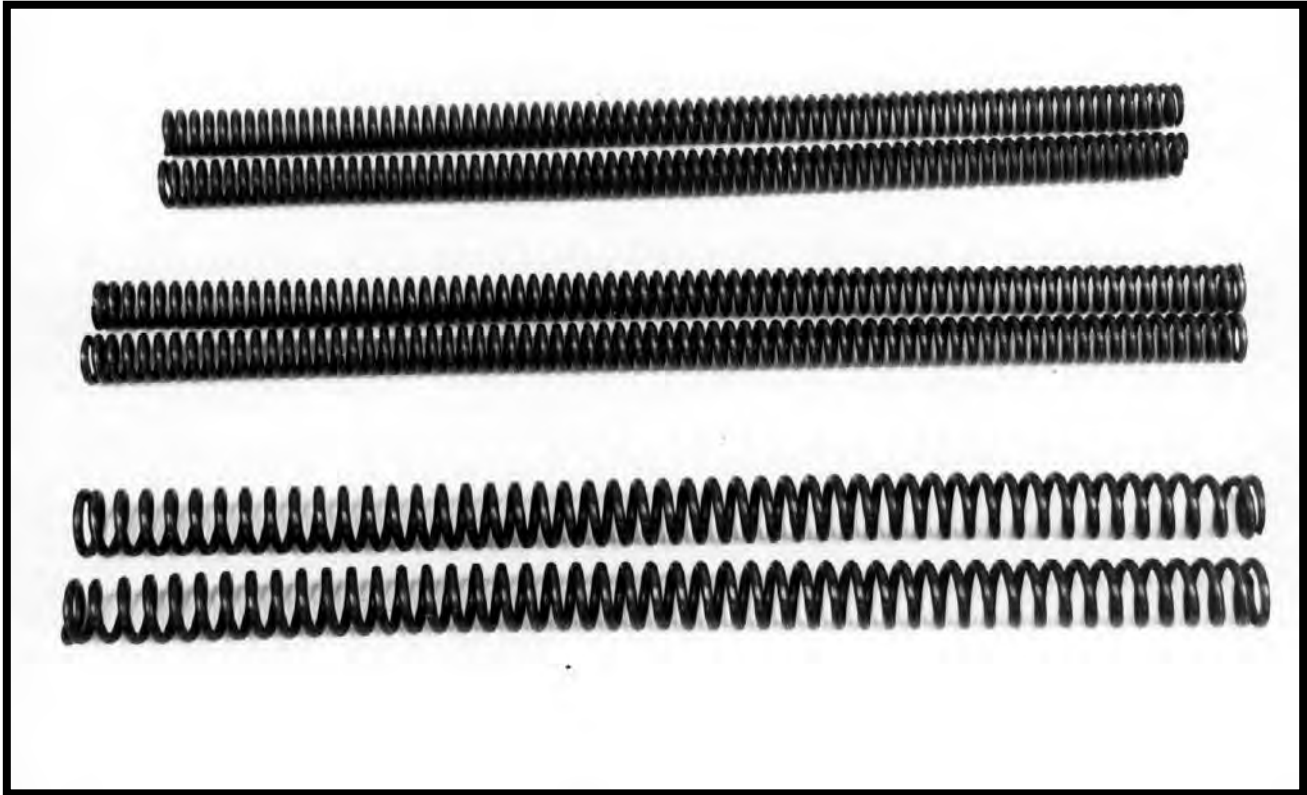
<u>EASTERN NUMBER</u>	<u>REPLACES OEM</u>	<u>DESCRIPTION</u>
17-0220		FORK SEAL KIT, BIG TWIN 1971-1972, SPORTSTER 1971-1972 <b>KIT INCLUDES: (2) 6218W, (2) 11105, (2) 45780-52, (2) 45975-71</b>
17-0226		FORK SEAL KIT, **KAYABA** BIG TWIN 1973-1977, SPORTSTER 1973-1974 <b>KIT INCLUDES: (2) 45927-73, (2) 45931-73, (2) 45982-73, (2) 45986-73, (2) 45992-73</b>
17-0232		FORK SEAL KIT, **SHOWA** BIG TWIN 1976-1984, SPORTSTER 1975-1983 <b>KIT INCLUDES: (2) 45400-75, (2) 45403-75, (2) 45406-75, (2) 45908-80, (2) 45982-73</b>
17-0235		FORK SEAL KIT, **SHOWA** BIG TWIN 1984-1987, SPORTSTER 1984-1987 <b>KIT INCLUDES: (2) 45387-83, (2) 45403-75, (2) 45406-75, (2) 45908-80, (2) 45982-73</b>
17-0239		FORK SEAL KIT, **SHOWA** SPORTSTER 1988-PRESENT <b>KIT INCLUDES: (2) 45378-87, (2) 45403-75, (2) 45406-75, (2) 45908-87, (2) 45984-87</b>
17-0260	45849-49	FORK SEAL KIT, **H-D FORK** BIG TWIN 1949-1977, <b>KIT INCL: (2) 45733-48, (2) 45850-48, (2) 45852-48, (2) 45856-48, (2) 46111-48, (2) 46125-48</b>
M-4-836	45849-49	FORK SEAL KIT, **H-D FORK** BIG TWIN 1949-1977, <b>KIT INCLUDES: (2) 45733-48, (2) 45850-48, (2) 45852-48, (2) 46111-48, (2) 46125-48</b>
17-0268		FORK SEAL KIT, **SHOWA** BIG TWIN 1984-1999 <b>KIT INCLUDES: (2) 45403-75, (2) 45406-75, (2) 45845-77, (2) 45847-84, (2) 45875-84</b>

# **\*\*EASTERN MOTORCYCLE PARTS\*\***

## **\*\*FORK SPRINGS\*\***

### **\*\*BIG TWIN-SPORTSTER\*\***

#### **\*\*MASTER LISTING\*\***



#### **\*\*ALL FORK SPRINGS ARE SOLD IN PAIRS\*\***

<b><u>EASTERN NUMBER</u></b>	<b><u>REPLACES OEM</u></b>	<b><u>DESCRIPTION</u></b>
K-2-844	45362-90	FORK SPRINGS, **SHOWA** BIG TWIN 1990-1996
41-0110	45374-87	SPRINGS, DAMPER TUBES, BG TWIN 1987-1999, SPORTSTER 1987-PRESENT
K-2-842	45375-87	FORK SPRINGS, **SHOWA** BIG TWIN 1987-1990
K-2-843	45385-83	FORK SPRINGS, **SHOWA** BIG TWIN 1984-1987
K-2-834	45408-75	FORK SPRINGS, **SHOWA** BIG TWIN 1976-1982, SPORTSTER 1975-1979
K-2-840	45408-84	FORK SPRINGS, **SHOWA** BIG TWIN 1984-1987
K-2-836	45837-77	FORK SPRINGS, **SHOWA** BIG TWIN 1977-1984
K-2-838	45853-83	FORK SPRINGS, **SHOWA** BIG TWIN 1984-1996
K-2-832	45907-80	FORK SPRINGS, **SHOWA** SPORTSTER 1980-1983
K-2-833	45907-83	FORK SPRINGS, **SHOWA** SPORTSTER 1984-1987
K-2-847	45931-86	FORK SPRINGS, **SHOWA** BIG TWIN 1987-1996
K-2-826	45984-73	FORK SPRINGS, **KAYABA** BIG TWIN 1973-1977, SPORTSTER 1973-1984
K-2-830	45987-77	FORK SPRINGS, **SHOWA** BIG TWIN 1977-1982
K-2-845	46048-80	FORK SPRINGS, **SHOWA** BIG TWIN 1980-1984
K-2-846	46048-84	FORK SPRINGS, **SHOWA** BIG TWIN 1985-1999
K-2-822	46051-49A	FORK SPRINGS, **H-D FORK** BIG TWIN 1949-1977
K-2-831	46052-80	FORK SPRINGS, **SHOWA** BIG TWIN 1982-1983, SPORTSTER 1980-1982
K-2-823	46057-68	FORK SPRINGS, **H-D FORK** SPORTSTER 1968-1970
	46058-68	
K-2-824	46057-71	FORK SPRINGS, **H-D FORK** BIG TWIN 1971-1972, SPORTSTER 1971-1972



**\*\*CHROME COVERS\*\***

**\*\*BATTERY PARTS\*\***

**\*\*SPEEDOMETERS\*\***

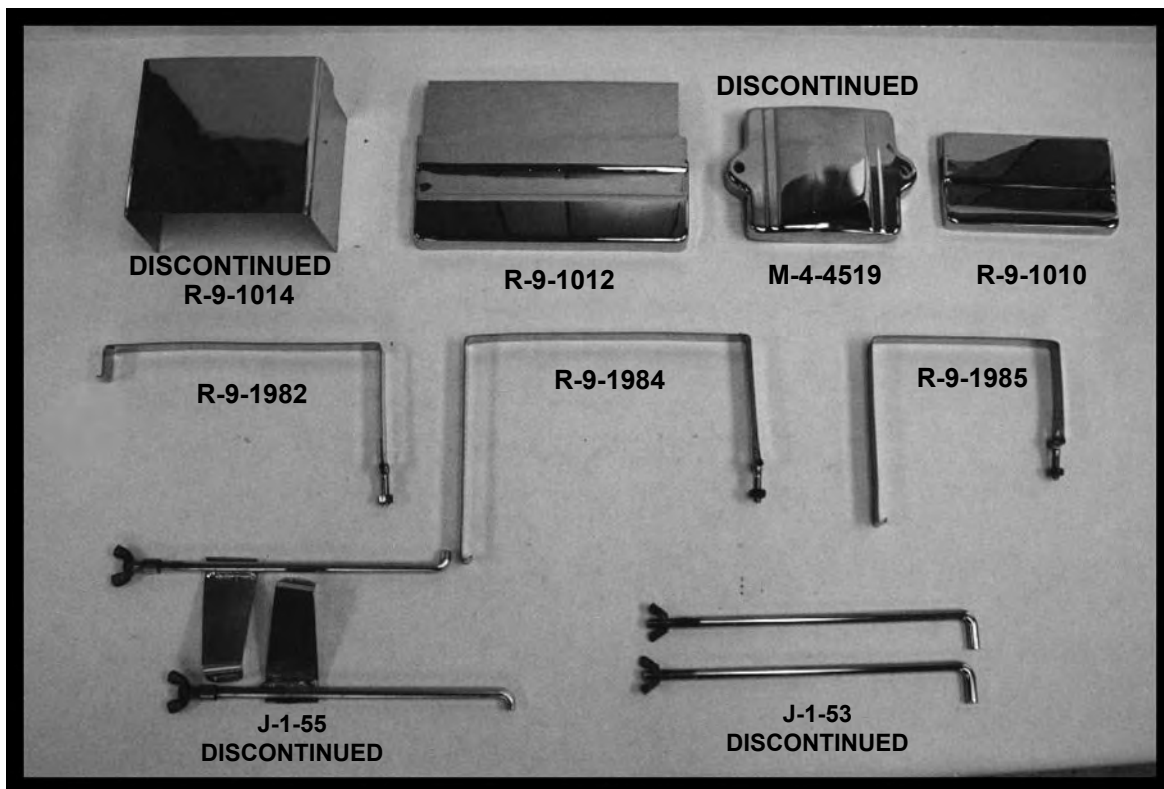
- 
- \* BATTERY COVERS, STRAPS & CABLES
  - \* COIL COVERS
  - \* DERBY COVERS
  - \* DISTRIBUTOR COVERS
  - \* GENERATOR COVERS
  - \* HORN COVERS
  - \* INSPECTION COVERS
  - \* KICK STARTER COVERS
  - \* MASTER CYLINDER COVERS
  - \* POINT COVERS
  - \* PRIMARY COVERS
  - \* REGULATOR COVERS
  - \* ROCKER COVERS (PANHEAD, SHOVELHEAD & KNUCKLEHEAD
  - \* SOLENOID COVERS
  - \* SPEEDOMETERS, BRACKETS, DRIVE UNITS
  - \* STARTER COVERS

# **\*\*EASTERN MOTORCYCLE PARTS\*\***

## **\*\*BATTERY COVERS\*\***

### **\*\*AND RELATED PARTS\*\***

#### **\*\*BIG TWIN-SPORTSTER\*\***

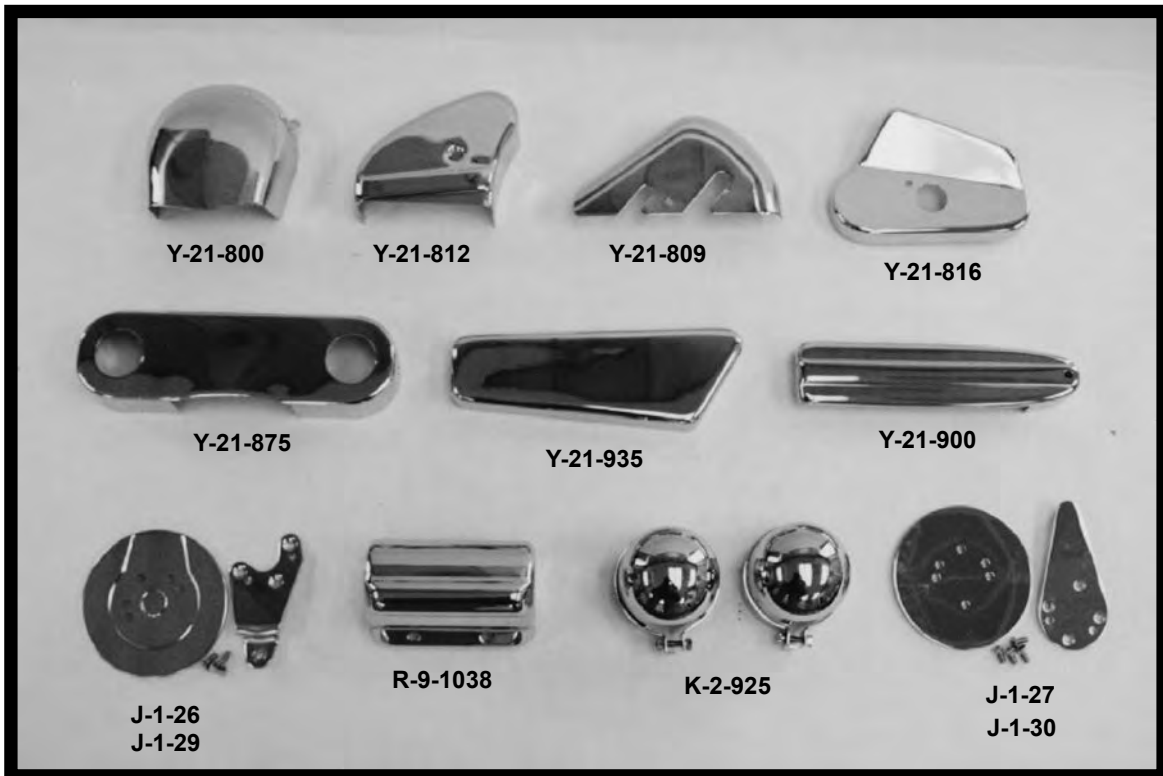
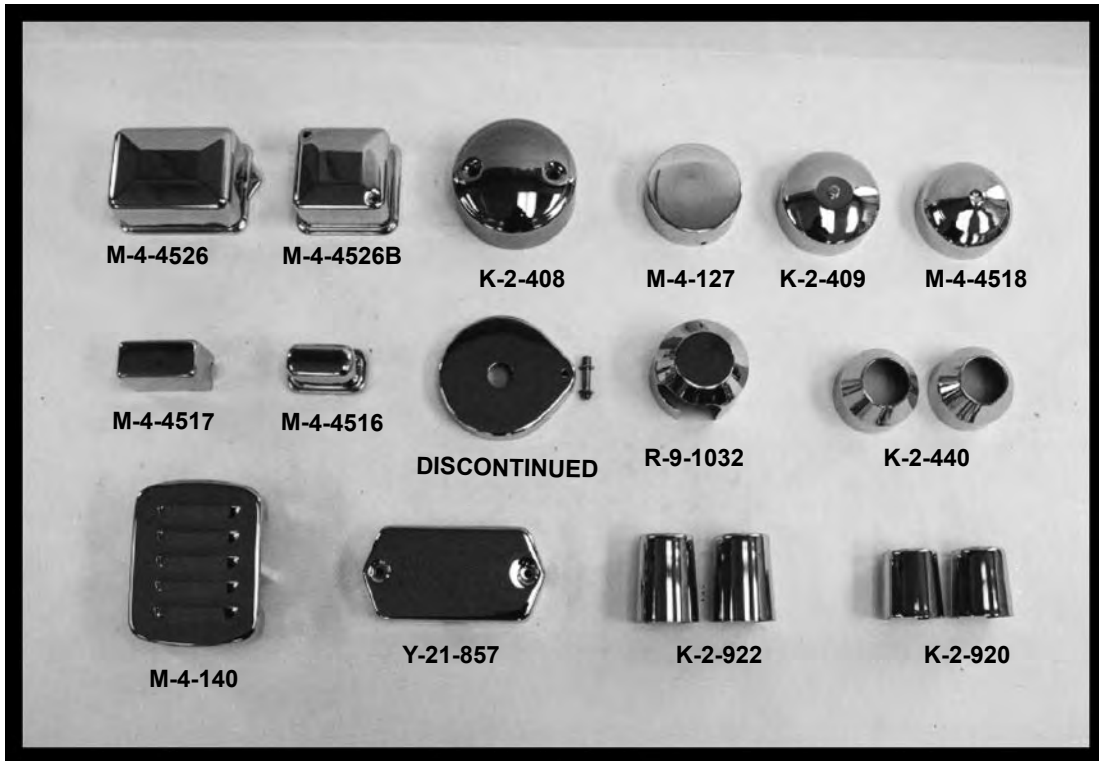


<u>EASTERN NUMBER</u>	<u>REPLACES OEM</u>	<u>DESCRIPTION</u>
K-2-524	62585-36 each	BATTERY PLATE MOUNTING BRACKET, <b>**CHROME**</b> BIG TWIN 1936-1957
A-66112-23	66112-83 pk-10	SCREW AND NUT KIT, BATTERY TERMINALS. BIG TWIN 1923-1964, SPORTSTER & 45'
R-9-1052	66191-73T each	BATTERY CARRIER TRAY, <b>**CHROME**</b> BIG TWIN 1973-1979
R-9-1054	66191-80T each	BATTERY CARRIER TRAY, <b>**CHROME**</b> BIG TWIN 1980-1986
R-9-1020	66340-78 each	BATTERY COVER WITH SQUARE WINDOW, <b>**CHROME**</b> B/T 1971-1982, SP. 1982-PRES
R-9-1010	66369-70 each	BATTERY TOP, KICK START MODELS, <b>**CHROME**</b> BIG TWIN 1971-1978, SP. 1970-1978
R-9-1012	66370-65 each	BATTERY TOP, ELECTRIC START <b>**CHROME**</b> BIG TWIN 1965-1984
R-9-1982	66383-65 each	BATTERY STRAP, <b>**STAINLESS**</b> BIG TWIN 1965-1969
R-9-1984	66383-70 each	BATTERY STRAP, <b>**STAINLESS**</b> BIG TWIN 1970-1984
R-9-1983	66470-67 each	BATTERY STRAP, <b>**STAINLESS**</b> SPORTSTER 1967-1978
R-9-1985	66470-70 each	BATTERY STRAP, <b>**STAINLESS**</b> BIG TWIN 1971-1978, SPORTSTER 1970-1978
R-9-1986	66476-73 each	BATTERY STRAP, <b>**STAINLESS**</b> BIG TWIN 1973-1985, SPORTSTER 1982-PRESENT
Y-21-915	66480-67 each	BATTERY SUPPORT BRACKET, <b>**CHROME**</b> SPORTSTER 1967-1978
A-70069-65B	70069-65B each	BATTERY GROUND & POSITIVE CABLE, 15" LONG, BIG TWIN 1965-1984, SP. 1967-1975
A-70100-79A	70100-79A each	BATTERY CABLE, SOLENOID TO STARTER 9" LONG, BIG TWIN 1980-1988
A-70235-67A	70235-67A each	BATTERY GROUND STRAP, <b>**BRAIDED**</b> 9" LONG, BIG TWIN 1965-1984

# **\*\*EASTERN MOTORCYCLE PARTS\*\***

## **\*\*COVERS\*\***

### **\*\*BIG TWIN-SPORTSTER\*\***



**\*\*CONTINUED NEXT PAGE\*\***

**\*5120 HILDA ROAD\* BLACKVILLE, S.C. 29817\* 803-284-3304\***

**\*Pg 375\***

# **\*\*EASTERN MOTORCYCLE PARTS\*\***

## **\*\*COVERS\*\***

### **\*\*CHROME\*\***

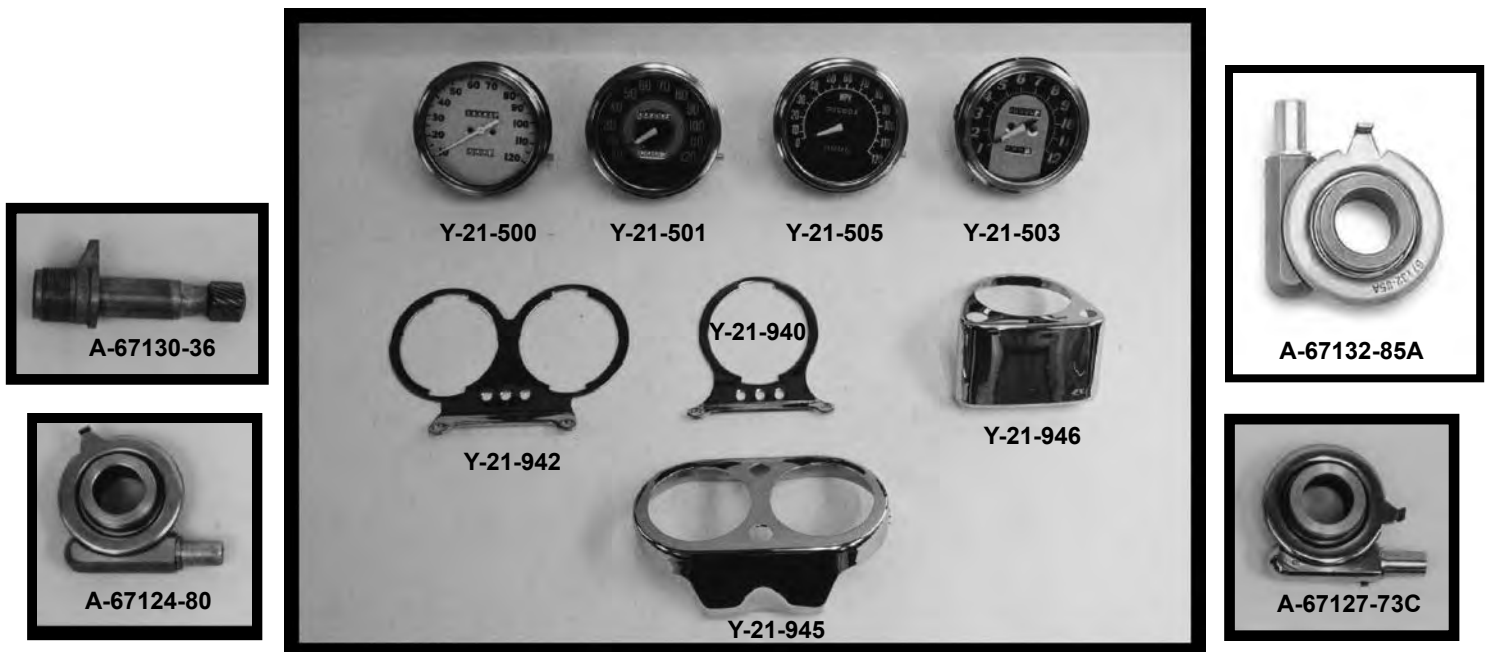
#### **\*\*BIG TWIN-SPORTSTER\*\***

<b><u>EASTERN NUMBER</u></b>	<b><u>REPLACES OEM</u></b>		<b><u>DESCRIPTION</u></b>
K-2-408	30137-32	each	GENERATOR END COVER, <b>**CHROME**</b> BIG TWIN 1932-1957, SPORTSTER 1952-1957
K-2-736	31080-83T	each	GENERATOR COVER, (2-BRUSH) <b>**CHROME**</b> BIG TWIN 1958-1969, SP. 1957-1980
K-2-736A		each	GENERATOR COVER, (3-BRUSH) <b>**CHROME**</b> BIG TWIN 1949-1957, SP. 1952-1957
K-2-736B		each	GENERATOR COVER, (POLICE SPECIAL) <b>**CHROME**</b> B/T 1949-1957, SP. 1952-1957
K-2-766	31350-83T	each	STARTER MOTOR COVER, PRESTOLITE, <b>**CHROME**</b> BIG TWIN 1966-'82, SP. 1967-1980
K-2-768	31351-83T	each	STARTER MOTOR COVER, HITACHI, <b>**CHROME**</b> SPORTSTER 1974-1976
R-9-1032	31352-85T	each	SOLENOID END COVER, DIE CAST ALUMINUM, <b>**CHROME**</b> BIG TWIN 1965-1986
K-2-409	31565-67	each	STARTER MOTOR END COVER, (HIT. & PREST.) <b>**CHROME**</b> B/T 1965-1987, SP. '67-'80
M-4-142	31606-65 31800-78	each	COIL COVER, PLAIN, <b>**CHROME**</b> BIG TWIN 1965-1984, SPORTSTER 1971-1976
M-4-140	31610-83T	each	COIL COVER, LOUVERED, <b>**CHROME**</b> BIG TWIN 1965-1984, SPORTSTER 1971-1976
R-9-1038	31625-82	each	COIL COVER, <b>**CHROME**</b> BIG TWIN 1982-1994
Y-21-857	32407-88T	each	IGNITION MODULE COVER, <b>**CHROME**</b> BIG TWIN 1980-PRESENT, SPORT. 1986-PRES
M-4-4518	32589-36	each	DISTRIBUTOR COVER, EARLY <b>**CHROME**</b> BIG TWIN 1936-1964, SPORT. 1954-1964
M-4-127	32589-65	each	DISTRIBUTOR COVER, LATE <b>**CHROME**</b> BIG TWIN 1965-1970, SPORT. 1965-1970
A-32592-36	32592-36	pk-5	RETAINING CLIP, DISTRIBUTOR COVER <b>**CHROME**</b> B/T 1936-1964, SPORT. 1954-1964
Y-21-812	33644-52	each	COVER, FOOT SHIFTER BRACKET, <b>**CHROME**</b> BIG TWIN 1952-1964
Y-21-814	33644-65	each	COVER, FOOT SHIFTER BRACKET, <b>**CHROME**</b> BIG TWIN 1965-1984
Y-21-816	33644-71	each	COVER, FOOT SHIFTER BRACKET, <b>**CHROME**</b> BIG TWIN 1971-1973
J-1-29	34555-52	each	DUST SHIELD COVER, <b>**CHROME**</b> BIG TWIN 1952-E/1979
J-1-26		kit	DUST SHIELD COVER AND RATCHET ARM, <b>**CHROME**</b> BIG TWIN 1952-E/1979
J-1-30	34555-74	each	DUST SHIELD COVER, <b>**CHROME**</b> BIG TWIN 1974-E/1979
J-1-27		kit	DUST SHIELD COVER AND RATCHET ARM, <b>**CHROME**</b> BIG TWIN 1974-E/1979
Y-21-900	38495-52	each	BOOSTER SPRING COVER, <b>**CHROME**</b> BIG TWIN 1952-1967
Y-21-809	41737-63	each	MASTER CYLINDER COVER, <b>**CHROME**</b> BIG TWIN 1958-1978
Y-21-315	45057-72	each	MASTER CYLINDER COVER, PLAIN, <b>**CHROME**</b> BIG TWIN 1972-1981, SP. 1973-1981
Y-21-317	45057-82	each	MASTER CYLINDER COVER, PLAIN, <b>**CHROME**</b> BIG TWIN 1982-1985, SP. 1982-1985
Y-21-875	45751-71A	each	COVER, LOWER FORK BRACKET, <b>**CHROME**</b> BIG TWIN 1971-1987, SPORT. 1971-1985
K-2-440	45983-73	pair	FORK BOOT COVERS, KAYABA FORKS, <b>**RUBBER**</b> BIG TWIN 1973-1977, SP. 1973-1974
K-2-925	54704-52	pair	SHOCK ABSORBER TOP COVERS, <b>**CHROME**</b> BIG TWIN 1958-1964, SP. 1952-1964
K-2-920	54704-65T	pair	SHOCK STUD COVERS, (SHORT) <b>**CHROME**</b> BIG TWIN 1970-1984, SPORT. 1965-1974
K-2-922	54704-75	pair	SHOCK STUD COVERS, (LONG) <b>**CHROME**</b> BIG TWIN 1965-1970, SPORT. 1975-1978
K-2-758	60572-36 60573-36T	each	CLUTCH INSPECTION COVER, <b>**CHROME**</b> BIG TWIN 1936-1964
Y-21-925	66351-82	pair	SIDE COVERS, LEFT AND RIGHT, <b>**CHROME**</b> BIG TWIN 1982-1983
Y-21-935	66425-68	each	STARTER RELAY COVER, <b>**CHROME**</b> BIG TWIN 1965-1984
Y-21-805	69138-65	each	HORN COVER, <b>**CHROME**</b> BIG TWIN 1971-1976, SPORTSTER 1965-1976
Y-21-803	69140-76	each	HORN COVER, <b>**CHROME**</b> BIG TWIN 1976-1980, SPORTSTER 1976-1985
Y-21-800	69141-70	each	HORN COVER, <b>**CHROME**</b> BIG TWIN 1970-1976, SPORTSTER 1970-1976
K-2-404	71510-72A	each	IGNITION SWITCH COVER, <b>**CHROME**</b> SPORTSTER 1972-PRESENT
M-4-4526	74540-87	each	REGULATOR COVER, FITS 74510-64 <b>**CHROME**</b> BIG TWIN 1965-1969, SP. 1967-1977
M-4-4526B	74540-87	each	REGULATOR COVER, FITS 74510-47A <b>**CHROME**</b> BIG TWIN 1958-1964, SP. 1958-1964
R-9-1308	75060-84T	each	SPEEDOMETER GAUGE COVER, <b>**CHROME**</b> BIG TWIN 1982-1983, SPORT. 1973-1983
R-9-1309	75061-84T	each	TACHOMETER GAUGE COVER, <b>**CHROME**</b> BIG TWIN 1982-1983, SPORT. 1973-1983
K-2-411		each	FRONT DISC ROTOR COVER, <b>**CHROME**</b> BIG TWIN 1972-PRESENT
M-4-4517		each	RELAY COVER, (FITS 74750-38B) <b>**CHROME**</b> BIG TWIN 1936-1957
M-4-4516		each	RELAY COVER, (FITS 71455-67) <b>**CHROME**</b> BIG TWIN 1967-1973, SPORT. 1967-1974
J-1-495		each	BRAKE DRUM REAR COVER, (FITS 41401-52) <b>**CHROME**</b> SPORTSTER 1954-1978
R-9-1212		each	POINT COVER, PLAIN, <b>**CHROME**</b> BIG TWIN 1970-PRES., SPORTSTER 1971-PRES.
K-2-402		each	POINT COVER, VERTICAL RIBS, <b>**CHROME**</b> BIG TWIN 1970-P., SPORT. 1971-P.

# **\*\*EASTERN MOTORCYCLE PARTS\*\***

## **\*\*SPEEDOMETER\*\***

### **\*\*BIG TWIN-SPORTSTER\*\***



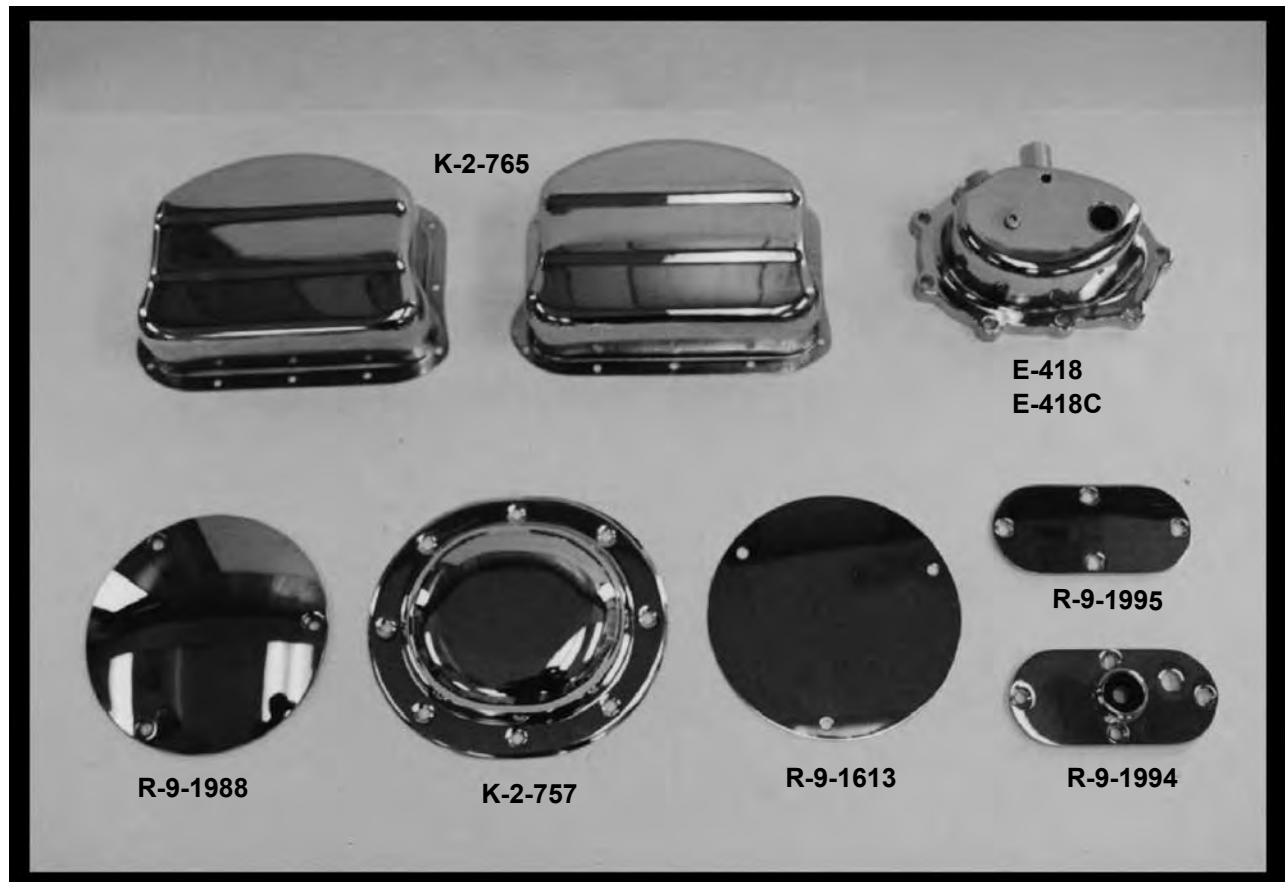
<u>EASTERN NUMBER</u>	<u>REPLACES OEM</u>	<u>DESCRIPTION</u>
Y-21-500	67004-38 each	SPEEDOMETER, **2 TO 1 RATIO** BIG TWIN 1938-1946
Y-21-501	67004-47 each	SPEEDOMETER, **2 TO 1 RATIO** BIG TWIN 1947-1952
Y-21-502	67004-53 each	SPEEDOMETER, **2 TO 1 RATIO** BIG TWIN 1953-1961
Y-21-503	67004-62 each	SPEEDOMETER, **2 TO 1 RATIO** BIG TWIN 1962-1967
Y-21-505	67004-68A each	SPEEDOMETER, **1 TO 1 RATIO** BIG TWIN 1968-1979
Y-21-940	67053-83T each	SPEEDOMETER SUPPORT BRACKET, <b>**CHROME**</b> BIG TWIN 1983-1991, SP. 1983-1985
A-67073-81	67073-81 each	SPEEDOMETER DRIVE UNIT, <b>**FRONT WHEEL**</b> BIG TWIN 1981-1986
Y-21-942	67110-83T each	SPEEDOMETER AND TACHOMETER BRACKET, <b>**CHROME**</b> B/T 1984-'85, SP. 1984-'85
A-67120-84B	67120-84B each	SPEEDOMETER DRIVE UNIT, <b>**FRONT WHEEL**</b> BIG TWIN 1984-1987
A-67124-80	67124-80 each	SPEEDOMETER DRIVE UNIT, <b>**FRONT WHEEL**</b> BIG TWIN 1980-1985
A-67125-86A	67125-86A each	SPEEDOMETER DRIVE UNIT, <b>**FRONT WHEEL**</b> BIG TWIN 1986-1995
A-67127-73	67127-73 each	SPEEDOMETER DRIVE UNIT, <b>**FRONT WHEEL**</b> BIG TWIN 1973-1983, SP. 1973-1983
A-67127-73C	67127-73 each	SPEEDOMETER DRIVE UNIT, <b>**FRONT WHEEL**</b> (CHROME) B/T 1973-1983, SP. 1973-'83
A-67127-84A	67127-84A each	SPEEDOMETER DRIVE UNIT, <b>**FRONT WHEEL**</b> BIG TWIN 1980-1994, SP. 1984-1994
A-67129-37	67129-37 each	SPEEDOMETER DRIVE UNIT, <b>**IN TRANSMISSION**</b> (8-TOOTH) FORTY-FIVE 1937-1952
A-67130-36	67130-36 each	SPEEDOMETER DRIVE UNIT, <b>**IN TRANSMISSION**</b> (11-TOOTH) BIG TWIN 1936-1961
A-67130-62	67130-62 each	SPEEDOMETER DRIVE UNIT, <b>**IN TRANSMISSION**</b> (13-TOOTH) BIG TWIN 1969-1967
A-67130-69	67130-69 each	SPEEDOMETER DRIVE UNIT, <b>**IN TRANSMISSION**</b> (23-TOOTH) BIG TWIN 1969-1980
A-67132-85A	67132-85A each	SPEEDOMETER DRIVE UNIT, <b>**IN TRANSMISSION**</b> BIG TWIN 1984-1994
A-67135-36	67135-36 each	SPEEDOMETER DRIVE SHAFT WITH GEAR <b>**11-TOOTH**</b> BIG TWIN 1936-1961
Y-21-955	67180-73T each	SPEEDOMETER AND TACHOMETER CUP, <b>**CHROME**</b> B/T 1974-1982, SPORT. 1973-'78
Y-21-946	67181-73T each	HOUSING, SPEEDOMETER SUPPORT, <b>**CHROME**</b> BIG TWIN 1973-1984, SP. 1973-1984
Y-21-469	67210-73 each	SPEEDOMETER RESET AND KNOB ASSEMBLY, BIG TWIN 1973-1984
A-67215-68	67215-68 pk-5	KNOB AND SCREW KIT, <b>**SPEEDOMETER RESET**</b> BIG TWIN 1968-1996
Y-21-945	92074-73T each	HOUSING, BRACKET, SPEEDOMETER & TACH., <b>**CHROME**</b> B/T 1974-'82, SP. 1973-1978

# **\*\*EASTERN MOTORCYCLE PARTS\*\***

## **\*\*COVERS\*\***

### **\*\*CHROME\*\***

#### **\*\*BIG TWIN-SPORTSTER\*\***

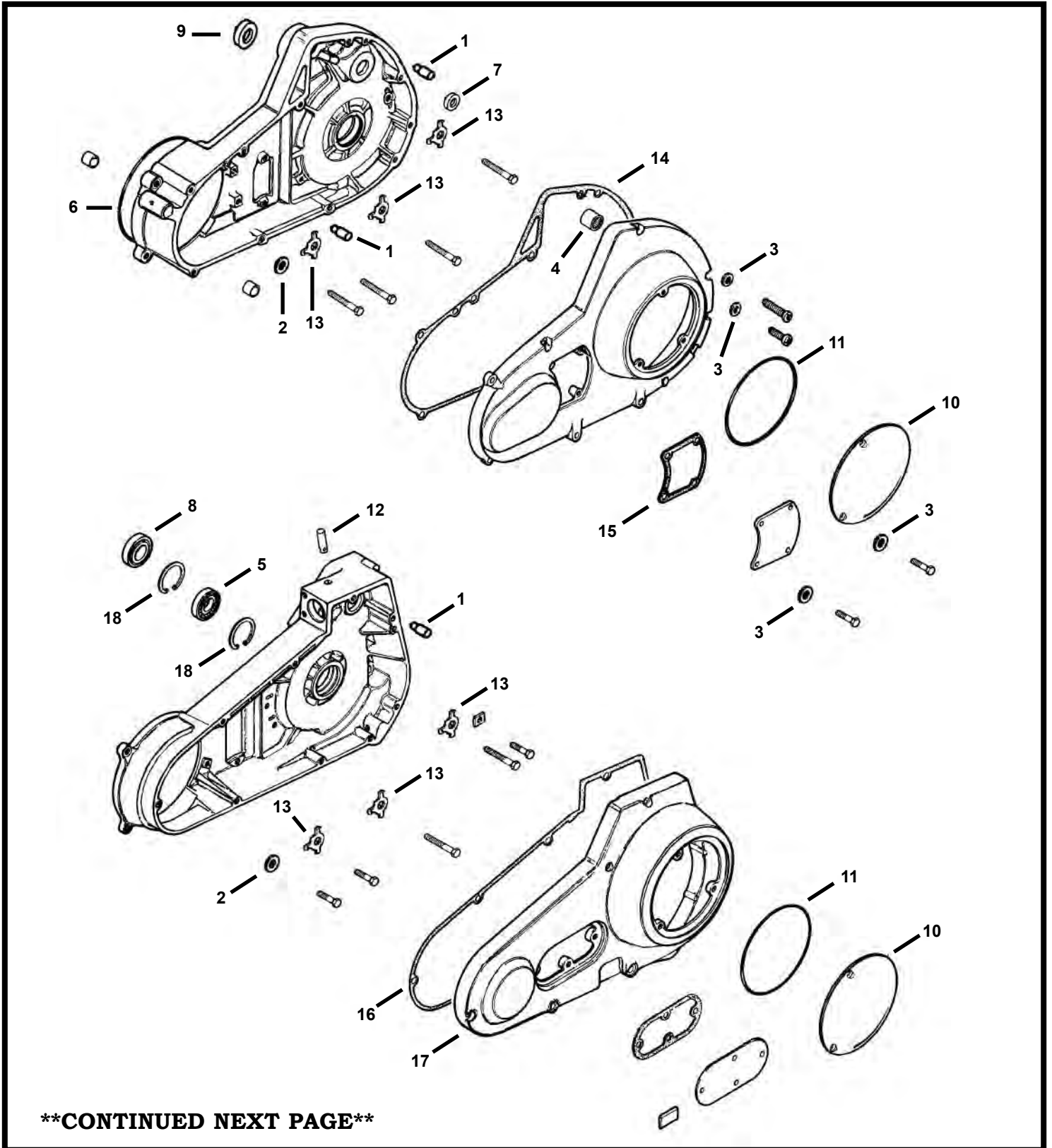


<b><u>EASTERN NUMBER</u></b>	<b><u>REPLACES OEM</u></b>	<b><u>DESCRIPTION</u></b>
K-2-759A	1210 pk-10	SCREWS, OUTER TO INNER PRIMARY <b>**CHROME**</b> BIG TWIN 1936-1964
K-2-759	2265 pk-10	SCREWS, DERBY AND INSPECTION COVERS, BIG TWIN 1936-1964
K-2-765	17500-48 pair 17500-54	ROCKER COVERS, PANHEAD, <b>**CHROME**</b> BIG TWIN 1948-1965
R-9-1988	25414-70A each	INSPECTION COVER, (PLAIN) <b>**CHROME**</b> BIG TWIN 1970-2006
R-9-1990	25426-80 each	INSPECTION COVER, <b>**80**</b> BIG TWIN 1970-1984
E-418	33277-36A each	KICK STARTER COVER, 4-SPEED TRANSMISSION, <b>**POLISHED**</b> BIG TWIN 1936-1969
E-418C	33277-36A each	KICK STARTER COVER, 4-SPEED TRANSMISSION, <b>**CHROME**</b> BIG TWIN 1936-1969
R-9-1613	52573-77 each	DERBY COVER, PLAIN, <b>**CHROME**</b> BIG TWIN 1970-1984
K-2-757	60555-36 each 60557-36T	DERBY COVER, <b>**CHROME**</b> BIG TWIN 1936-1964
K-2-758	60572-36 each 60573-36T	CLUTCH INSPECTION COVER, <b>**CHROME**</b> BIG TWIN 1936-1964
R-9-1995	60572-78 each	PRIMARY INSPECTION COVER, <b>**CHROME**</b> BIG TWIN 1965-1984
R-9-1994	60579-74T each	PRIMARY INSPECTION COVER, W/ SEAL & BUSHING <b>**CHROME**</b> BIG TWIN 1973-1985

# \*\*EASTERN MOTORCYCLE PARTS\*\*

## \*\*PRIMARY COVER\*\*

\*\*BIG TWIN 1987-PRESENT\*\*



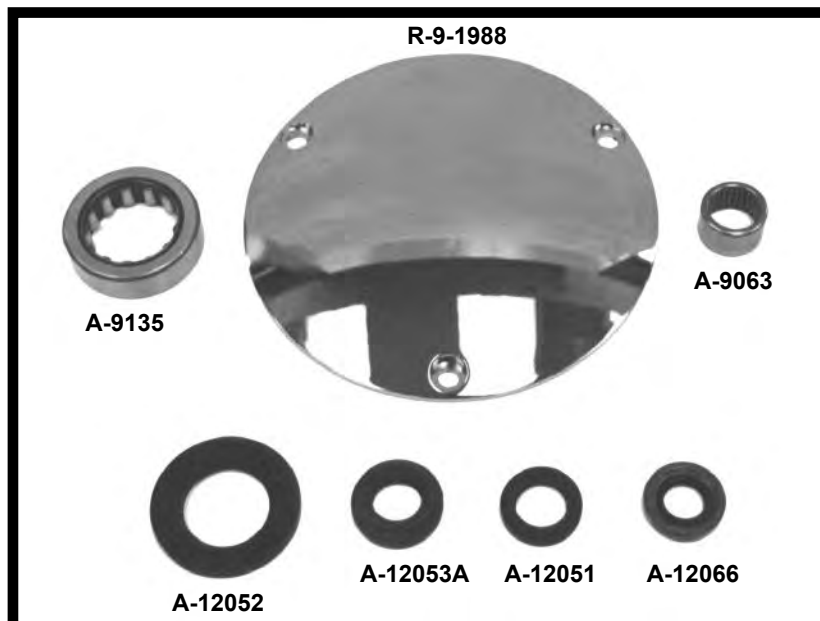
\*\*CONTINUED NEXT PAGE\*\*

# **\*\*EASTERN MOTORCYCLE PARTS\*\***

## **\*\*PRIMARY COVER\*\***

### **\*\*BIG TWIN 1987-PRESENT\*\***

<b>DIAGRAM NUMBER</b>	<b>EASTERN NUMBER</b>	<b>REPLACES OEM</b>	<b>DESCRIPTION</b>
1	A-375	375	pk-25 DOWEL PINS, .308 X .690 LONG
2	A-6016	6016	pk-25 WASHER, 11/32 X 11/16 X 1/16" THICK <b>**ZINC PLATED**</b>
3	A-6099	6099	pk-25 WASHER, 1/4 X 7/16 X 1/16" THICK <b>**ZINC PLATED**</b>
4	A-9063	9063	each BEARING, OUTER CHAIN HOUSING, BIG TWIN 1965-1988
5	A-9135	9135	each BEARING, FRONT CHAIN HOUSING, BIG TWIN L/1984-2005
	43-0207		kit INNER PRIMARY UPGRADE BEARING KIT, BIG TWIN 1990-2006 <b>KIT INCLUDES:</b> DUAL ROW BEARING, 12052 SEAL, 60678-85 RET. RING
6	A-11147	11147	pk-10 O-RING, CHAIN HOUSING COVER, BIG TWIN 1982-2006
7	A-12051	12051	pk-5 OIL SEAL, STARTER SHAFT, BIG TWIN 1984-1990
8	A-12052	12052	pk-5 OIL SEAL, INNER CHAIN HOUSING, BIG TWIN 1985-PRESENT
9	A-12053A	12053A	pk-5 OIL SEAL, INNER CHAIN HOUSING, BIG TWIN 1989-1993
	A-12066	12066	pk-5 OIL SEAL, INNER CHAIN HOUSING, BIG TWIN 1994-PRESENT
10	R-9-1988	25414-70A	each INSPECTION COVER, PLAIN <b>**CHROME**</b> BIG TWIN 1970-2006
11	47-2200	25416-70A	pk-5 GASKETS, DERBY COVER, <b>**FOAMET MATERIAL**</b> BIG TWIN 1970-1998
	A-25416-84	25416-84	pk-10 O-RING, CLUTCH INSPECTION COVER, BIG TWIN 1984-1998
	A-25416-84B	25416-84B	pk-10 QUAD RING, CLUTCH INSPECTION COVER, BIG TWIN 1984-1998
	47-2205	25416-99B	pk-5 GASKETS, DERBY COVER, <b>**FOAMET MATERIAL**</b> BIG TWIN 1999-2006
	A-25416-99	25416-99	pk-10 O-RING, CLUTCH INSPECTION COVER, BIG TWIN 1999-2006
12	A-31473-86	31473-86	pk-5 PIVOT PIN, SHIFT LEVER, BIG TWIN 1986-1988
13	A-33318-85	33318-85	pk-10 LOCK TAB, INNER PRIMARY COVER, BIG TWIN 1987-2004
14	L-3-892	34901-85	pk-5 GASKET, PRIMARY COVER <b>**W/SILICONE BEAD**</b> B/T 1985-'93 <b>*JAMES*</b>
	L-3-893	34901-94	pk-5 GASKET, PRIMARY COVER <b>**WITH SILICONE BEAD**</b> BIG TWIN 1994-'06
	54-3483	34901-94A	pk-5 GASKET, PRIMARY COVER <b>(COMETIC) **WITH SILICONE**</b> B/T 1994-'06
	L-3-894	34901-07A	pk-5 GASKET, PRIMARY COVER <b>**FOAMET MATERIAL**</b> BIG TWIN 2007-P.
15	L-3-878	34906-85	pk-10 GASKET, INSPECTION COVER <b>**WITHOUT SILICONE**</b> BIG TWIN 1985-P.
16	L-3-873	60539-86	pk-10 GASKET, PRIMARY COVER <b>**WITHOUT SILICONE**</b> BIG TWIN 1987-1988
	L-3-876	60539-89	pk-5 GASKET, PRIMARY COVER, (1/16 THICK) <b>**WITH SILICONE**</b> B/T '89-'94
	L-3-889	60539-94	pk-5 GASKET, PRIMARY COVER, (1/16 THICK) <b>**WITH SILICONE**</b> B/T '94-'06
17	K-2-990	60543-89	each PRIMARY COVER <b>**CHROME** (DIE CAST ALUMINUM)</b> BIG TWIN 1989-1993
	K-2-994	60543-95	each PRIMARY COVER <b>**CHROME** (DIE CAST ALUMINUM)</b> BIG TWIN 1994-PRESENT
18	A-60678-85	60678-85	pk-10 RETAINING RING, INNER PRIMARY COVER, BIG TWIN 1985-PRESENT





**\*\*EASTERN MOTORCYCLE PARTS\*\***

**\*\*PRIMARY COVERS\*\***

**\*\*INNER AND OUTER\*\***

**\*\*BIG TWIN-SPORTSTER\*\***



**K-2-990**



**K-2-992**



**K-2-994**



**K-2-996**

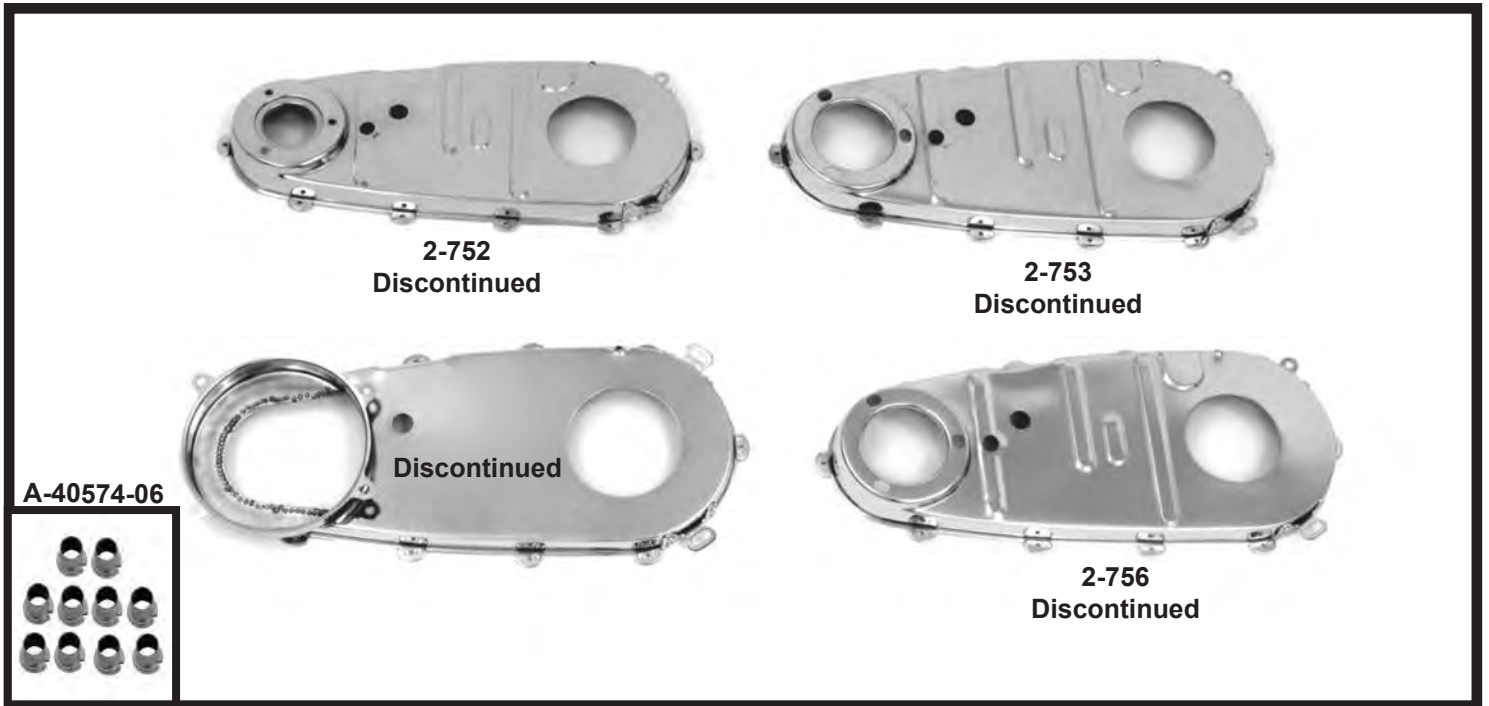


# **\*\*EASTERN MOTORCYCLE PARTS\*\***

## **\*\*PRIMARY COVERS\*\***

**\*\*INNER AND OUTER\*\***

**\*\*BIG TWIN-SPORTSTER\*\***



<u>EASTERN NUMBER</u>	<u>REPLACES OEM</u>	<u>DESCRIPTION</u>
K-2-759A	1210	pk-10 SCREWS, OUTER TO INNER PRIMARY COVER, BIG TWIN 1936-1964
K-2-759	2265	pk-10 SCREWS, DERBY AND INSPECTION COVERS, BIG TWIN 1936-1964
R-9-1988	25414-70A	INSPECTION COVER, <b>**PLAIN**</b> (CHROME) BIG TWIN 1970-2006
R-9-1990	25426-80	INSPECTION COVER, <b>**80**</b> BIG TWIN 1970-1984
A-40574-06	40574-06	pk-10 BUSHINGS, SHIFTER SHAFT, SPORTSTER 2006-PRESENT
R-9-1613	52573-77T	DERBY COVER, <b>**PLAIN**</b> (CHROME) BIG TWIN 1970-1984
K-2-996	60508-70	PRIMARY COVER, <b>DIE CAST ALUMINUM</b> <b>**FLH**</b> (CHROME) BIG TWIN 1970-1984
K-2-990	60543-89	PRIMARY COVER, <b>DIE CAST ALUMINUM</b> <b>**DYNA**</b> (CHROME) BIG TWIN 1989-1993
K-2-994	60543-85	PRIMARY COVER, <b>DIE CAST ALUMINUM</b> <b>**DYNA**</b> (CHROME) BIG TWIN 1994-1999
K-2-992	60547-77	PRIMARY COVER, <b>DIE CAST ALUMINUM</b> <b>**F.X.**</b> (CHROME) BIG TWIN 1970-1984
K-2-757	60555-36	DERBY COVER, (CHROME) BIG TWIN 1936-1964
A-60348-65B	60348-65B	kit-3 DRAIN PLUG <b>**MAGNETIC**</b> BIG TWIN 1965-1999, SPORTSTER 1997-2003

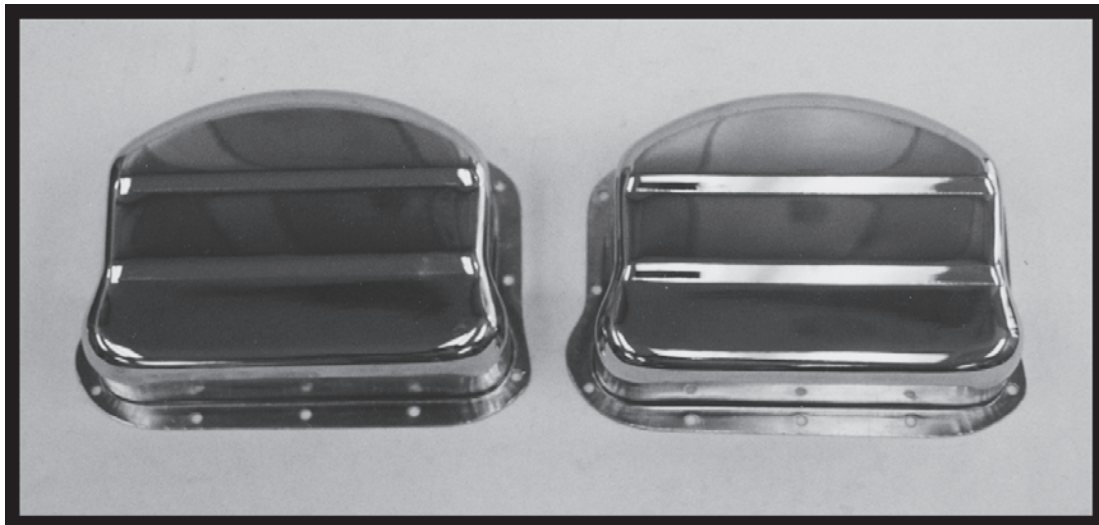
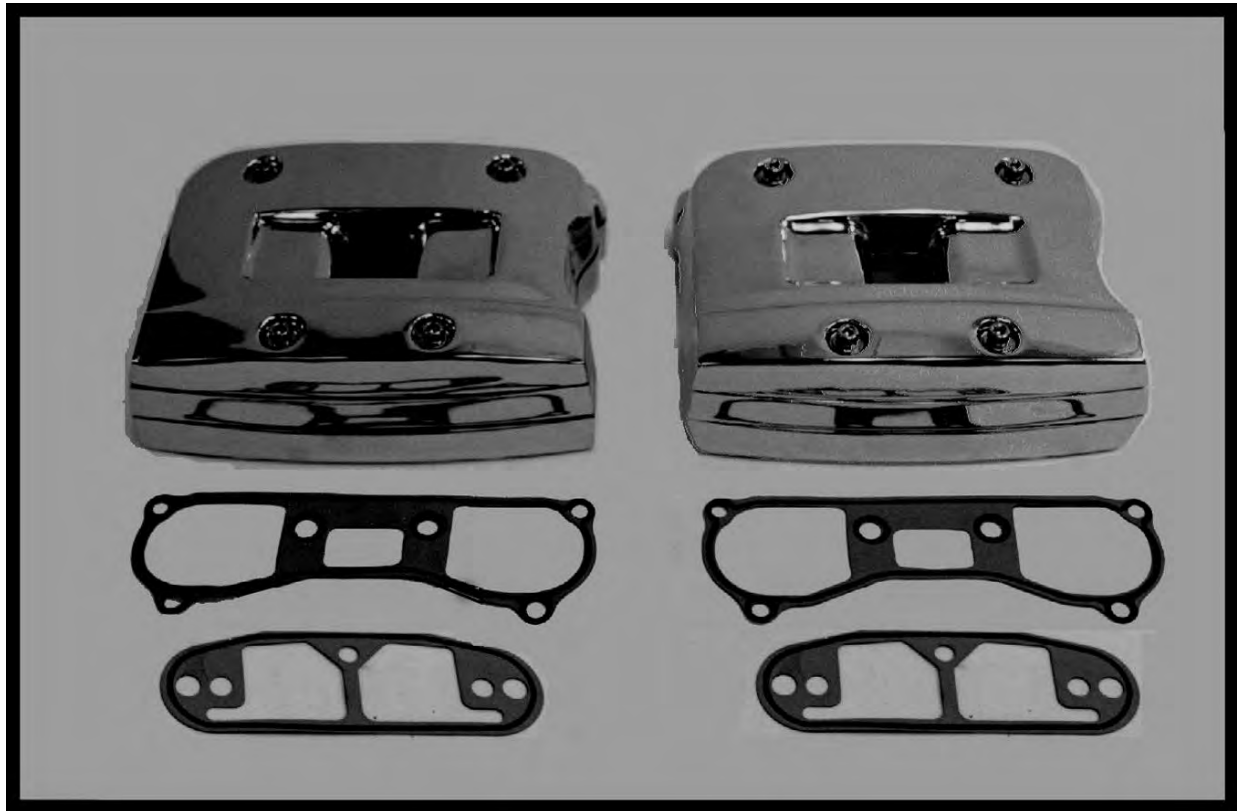


**\*\*EASTERN MOTORCYCLE PARTS\*\***

**\*\*ROCKER COVERS\*\***

**\*\*BIG TWIN\*\***

**\*\*PAN, SHOVEL AND EVOLUTION\*\***



**\*\*ALL ROCKER COVERS ARE SOLD IN PAIRS\*\***

**\*\*UMBRELLA VALVES\*\***

A-26856-89      26856-89      pk-10      UMBRELLA VALVE, ROCKER COVER, BIG TWIN 1993-1999, SPORTSTER 1991-P.  
A-26858-99      26858-99      pk-10      UMBRELLA VALVE, ROCKER COVER, BAFFLE BREATHER, BIG TWIN 1999-2010

**\*\*CONTINUED ON NEXT PAGE\*\***

**\*5120 HILDA ROAD\* BLACKVILLE, S.C. 29817\* 803-284-3304\***

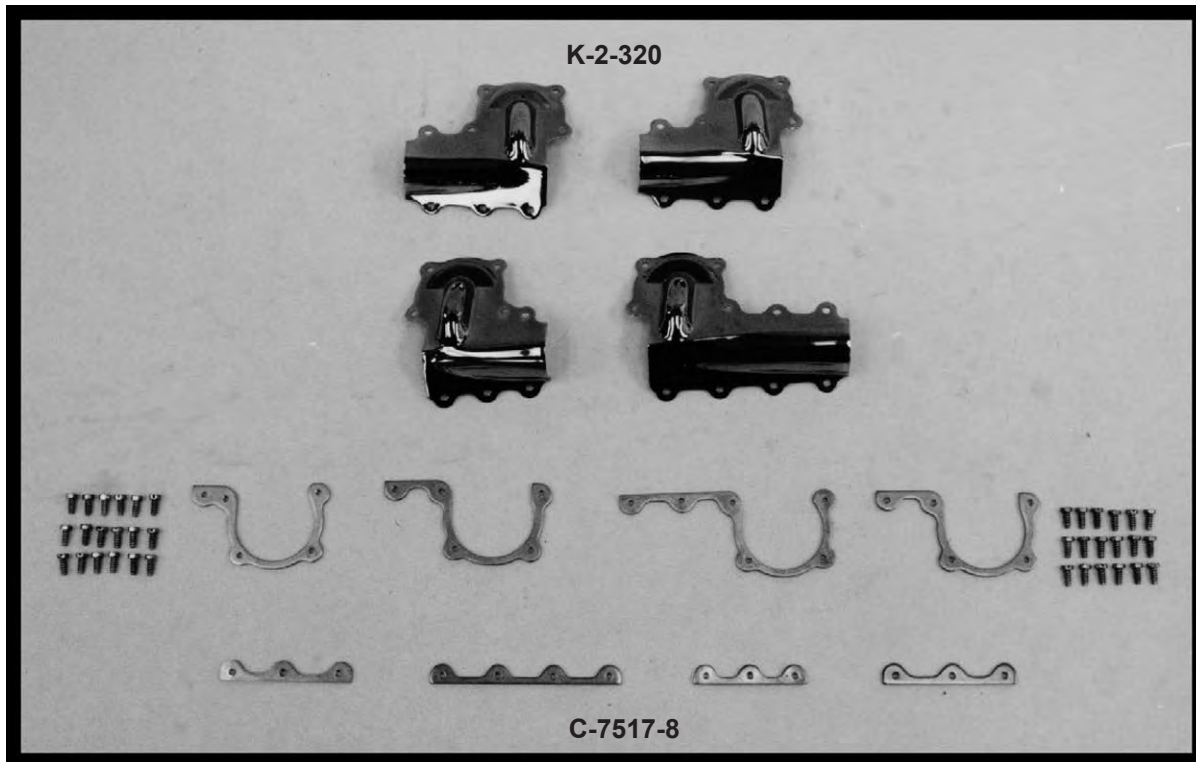
**\*Pg 383\***

# **\*\*EASTERN MOTORCYCLE PARTS\*\***

## **\*\*ROCKER COVERS\*\***

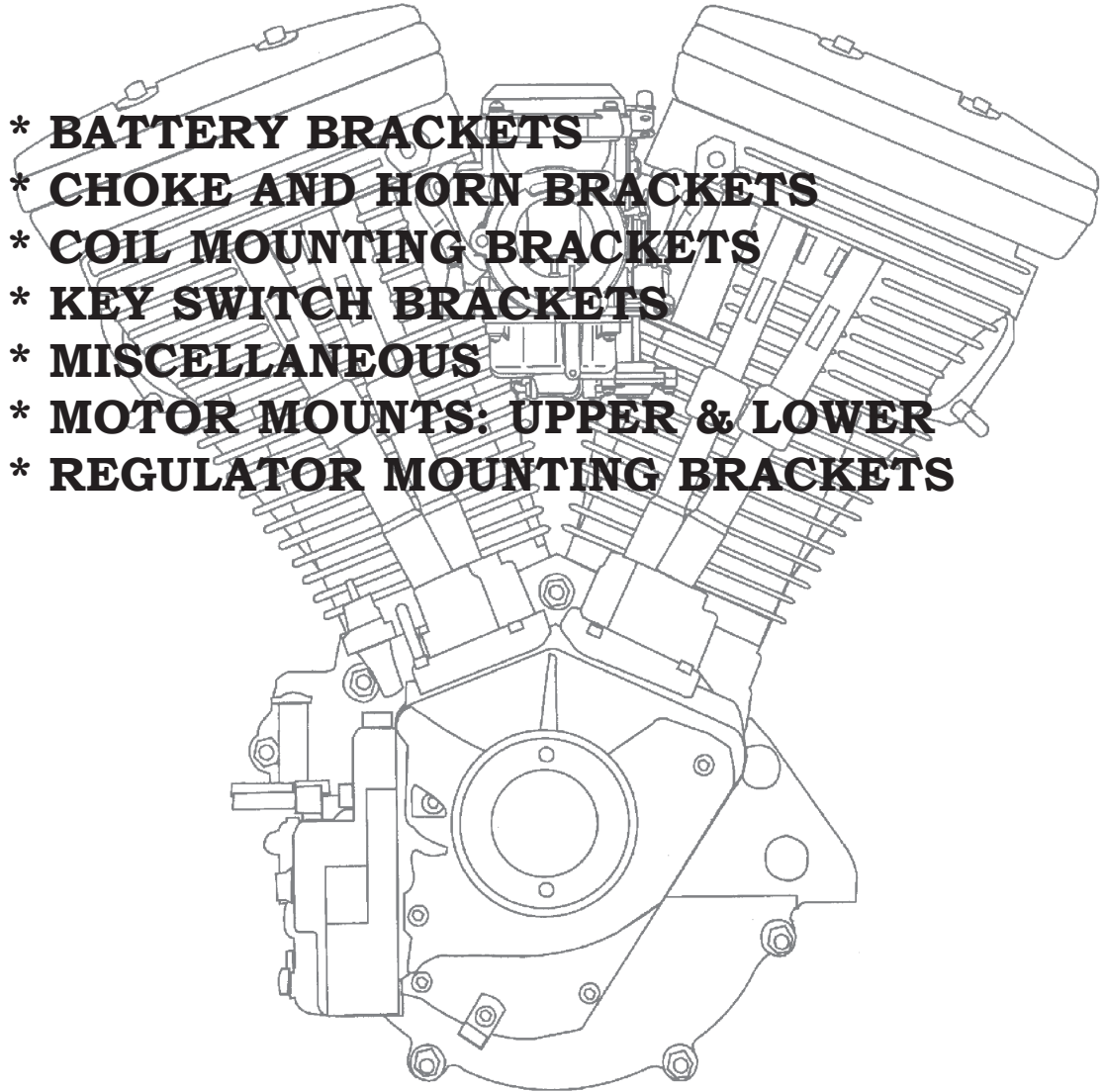
**\*\*BIG TWIN-SPORTSTER\*\***

**\*\*PAN, SHOVEL AND EVOLUTION\*\***



<u>EASTERN NUMBER</u>	<u>REPLACES OEM</u>	<u>DESCRIPTION</u>
K-2-765	17500-48A pair	ROCKER COVERS, (PANHEAD) <b>**CHROME**</b> BIG TWIN 1948-1965
	17500-54	
M-4-4535	17516-77B pair	ROCKER COVERS, (FRONT & REAR) <b>**BLACK**</b> BIG TWIN 1966-1984
	17517-77B	
M-4-4536	17518-80 pair	ROCKER COVERS, (FRONT & REAR) <b>**CHROME**</b> BIG TWIN 1966-1984
	17519-80	
M-4-4528	17510-84 pair	ROCKER COVERS, WITH GASKETS, <b>**CHROME**</b> BIG TWIN 1984-1991
	17528-84A	
	17530-84B	
M-4-4530	17501-86B pair	ROCKER COVERS, WITH GASKETS, <b>**CHROME**</b> SPORTSTER 1986-PRESENT
	17532-86B	
	17533-90A	
K-2-320	17525-38 kit-4	ROCKER COVER SET, (TINS ONLY) <b>**CHROME**</b> BIG TWIN 1936-1947
	17527-38	
	17529-38	
K-2-324	17525-38 kit-4	ROCKER COVER SET, (TINS ONLY) <b>**BLACK**</b> BIG TWIN 1936-1947
	17527-38	
	17529-38	
C-7517-8	17550-38	ROCKER COVER STRIPS AND GASKETS, <b>**ZINC PLATED**</b> BIG TWIN 1936-1947
	17554-38	
	17556-38	

**\*\*MOTOR MOUNTS\*\***  
**\*\*MOUNTING BRACKETS\*\***

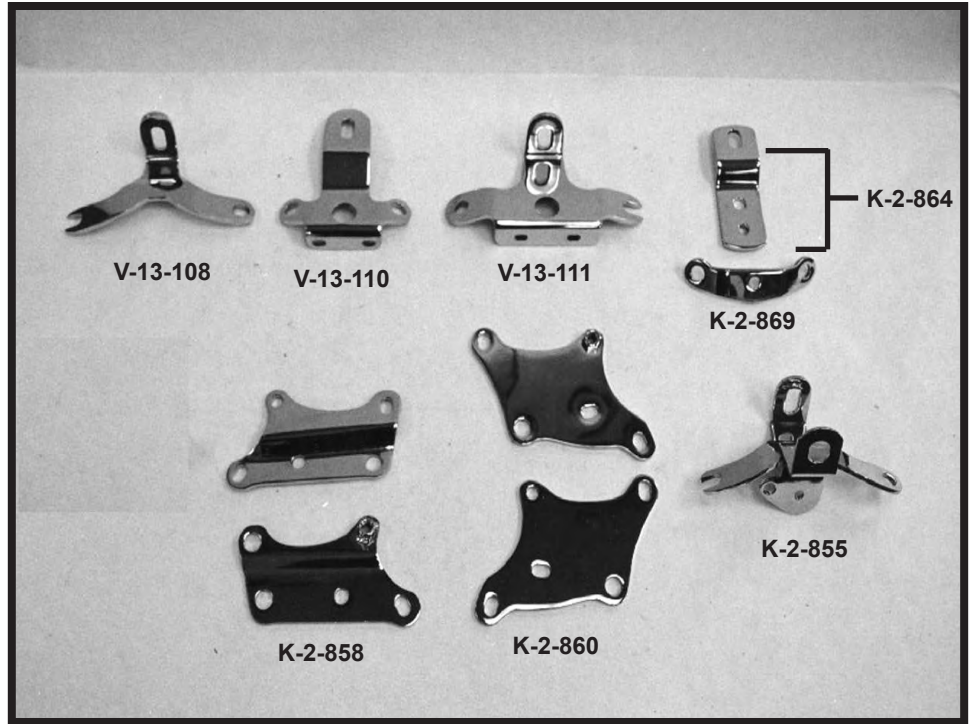
- 
- \* BATTERY BRACKETS**
  - \* CHOKE AND HORN BRACKETS**
  - \* COIL MOUNTING BRACKETS**
  - \* KEY SWITCH BRACKETS**
  - \* MISCELLANEOUS**
  - \* MOTOR MOUNTS: UPPER & LOWER**
  - \* REGULATOR MOUNTING BRACKETS**



# **\*\*EASTERN MOTORCYCLE PARTS\*\***

## **\*\*MOTOR MOUNTS\*\***

### **\*\*BIG TWIN-SPORTSTER\*\***

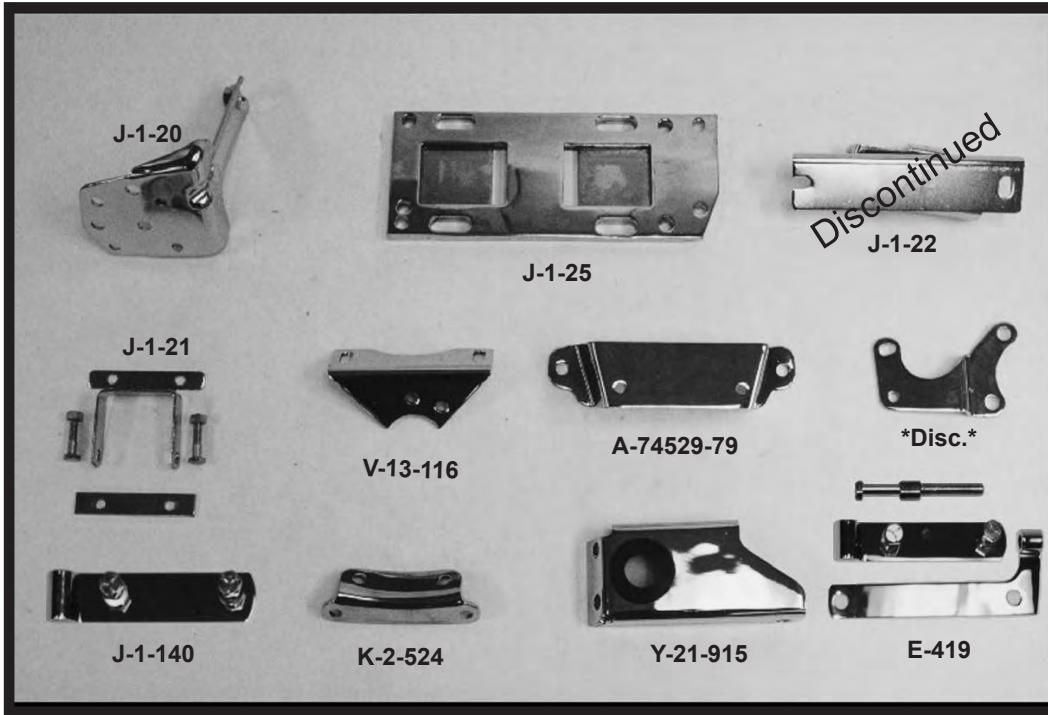


<u>EASTERN NUMBER</u>	<u>REPLACES OEM</u>		<u>DESCRIPTION</u>
K-2-860	16210-77 16213-77	set-2	LOWER MOTOR MOUNTS, <b>**CHROME**</b> SPORTSTER 1954-1981
K-2-858	16236-79T	set-2	LOWER MOTOR MOUNTS, <b>**CHROME**</b> SPORTSTER 1984-1991
K-2-864	16250-57 16251-58	set-2	LOWER MOTOR MOUNTS, <b>**CHROME**</b> SPORTSTER 1957-1976
V-13-110	16250-57 16251-58	set-2	TOP MOTOR MOUNT, (WITH KEY SWITCH HOLE) <b>**CHROME**</b> SPORTSTER 1957-1976
V-13-115	16250-57 16251-58	each	TOP MOTOR MOUNT, (WITH COIL MOUNT) <b>**CHROME**</b> SPORTSTER 1957-1977
V-13-108	16852-67A	each	TOP MOTOR MOUNT, (STOCK REPLACEMENT) <b>**CHROME**</b> BIG TWIN 1948-1984
K-2-880	16853-38	each	TOP MOTOR MOUNT, <b>**CHROME**</b> BIG TWIN 1936-1947
V-13-109	16853-48	each	TOP MOTOR MOUNT, (WITH CHOKE MOUNT) <b>**CHROME**</b> BIG TWIN 1948-1965
V-13-111	16853-48	each	TOP MOTOR MOUNT, (WITH KEY SWITCH HOLE) <b>**CHROME**</b> BIG TWIN 1948-1984
V-13-114	16853-48	each	TOP MOTOR MOUNT, (WITH COIL MOUNT) <b>**CHROME**</b> BIG TWIN 1948-1984
K-2-890	47159-79A	each	FRONT MOTOR MOUNT, <b>**CHROME**</b> BIG TWIN 1980-PRESENT
K-2-850	69013-77A	each	TOP MOTOR MOUNT, (WITH CHOKE MOUNT) <b>**CHROME**</b> BIG TWIN 1977-1984
K-2-855	69018-73A	each	TOP MOTOR MOUNT, (WITH CHOKE & KEY SWITCH) <b>**CHROME**</b> BIG TWIN 1973-1980
K-2-869	16250-57	each	TOP MOTOR MOUNT/CROSS BRACKET FOR XL CYLINDERS, SPORTSTER 1957-1985
V-13-214		kit	LICENSE PLATE LAYDOWN MOUNT, <b>**CHROME**</b> BIG TWIN 1973-UP, SPORT 1973-UP
V-13-216		kit	LICENSE PLATE LAYDOWN MOUNT, <b>**BLACK**</b> BIG TWIN 1973-UP, SPORT 1973-UP

# **\*\*EASTERN MOTORCYCLE PARTS\*\***

## **\*\*MOUNTING BRACKETS\*\***

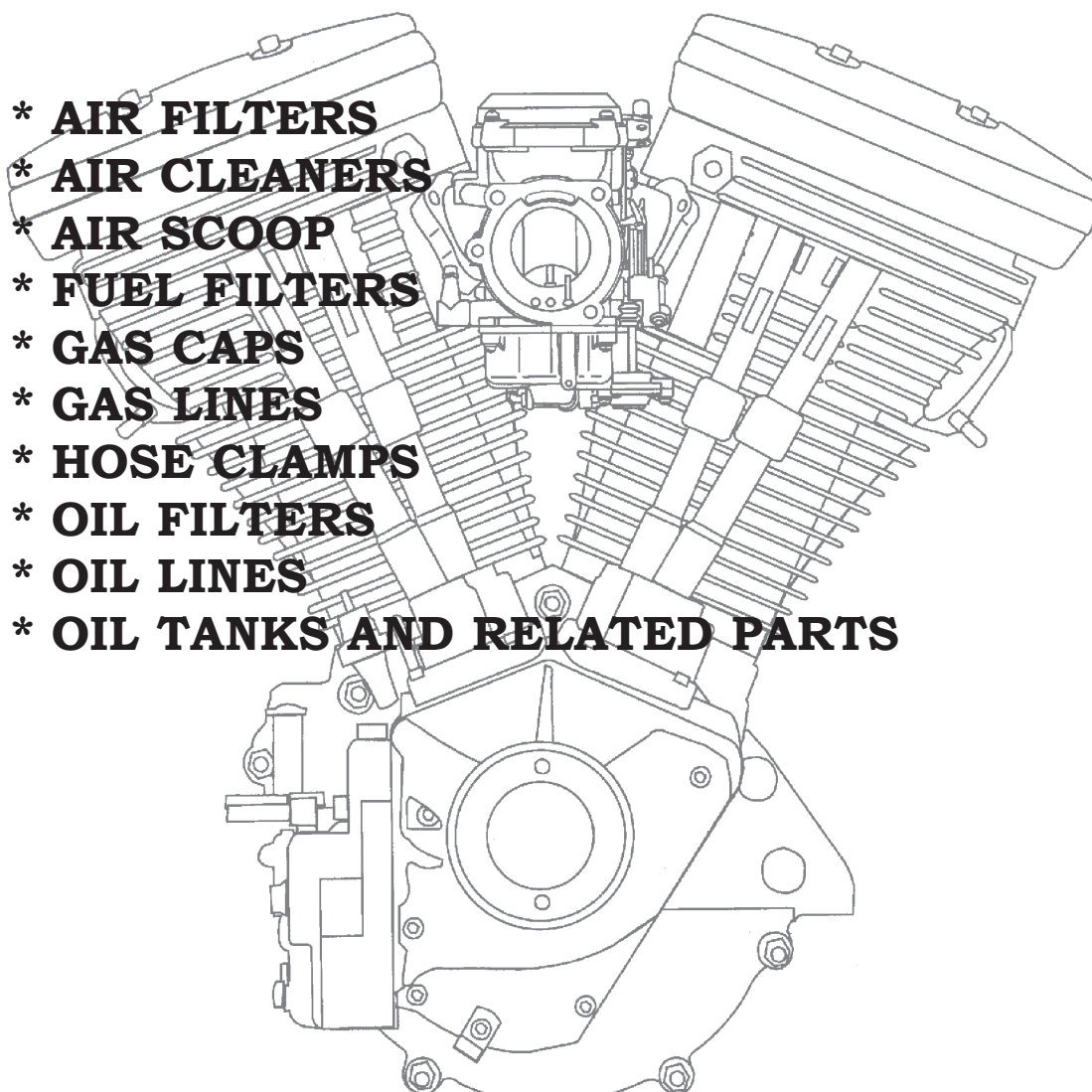
### **\*\*BIG TWIN-SPORTSTER\*\***



<u>EASTERN NUMBER</u>	<u>REPLACES OEM</u>		<u>DESCRIPTION</u>
<b>**COIL MOUNTING BRACKETS**</b>			
J-1-21	31723-71A	each	COIL MOUNTING BRACKET, <b>**CHROME**</b> SPORTSTER 1971-1978
<b>**REGULATOR MOUNTING BRACKETS**</b>			
A-74529-79	74529-79	each	REGULATOR MOUNTING BRACKET, <b>**CHROME**</b> BIG TWIN 1980-1996
J-1-20	74533-75B	each	REGULATOR MOUNTING BRACKET, <b>**CHROME**</b> BIG TWIN 1976-1986
V-13-116		each	MOUNTING BRACKET, BOSCH REGULATOR, <b>**CHROME**</b> B/T 1958-1969, SP. 1958-1981
<b>**MISCELLANEOUS BRACKETS**</b>			
K-2-869	16250-57	each	TOP MOTOR MOUNT, SPORTSTER 1957-1985
J-1-179	37098-83	each	CLUTCH CABLE BRACKET, <b>**CHROME**</b> BIG TWIN 1980-1986
Y-21-302	38608-73	each	CLUTCH LEVER BRACKET, <b>**CHROME**</b> BIG TWIN 1972-1981, SPORTSTER 1973-1981
J-1-25	47698-36	each	CASE TO FRAME MOUNTING PLATE, BIG TWIN 1937-1984
J-1-140	47720-36	each	ADJUSTING BRACKET, TRANSMISSION, BIG TWIN 1937-1964
E-419		kit	ADJUSTING BRACKET KIT, TRANSMISSION, BIG TWIN 1937-PRESENT
K-2-523	59800-36	pair	REAR FENDER CLAMP, (RIDGED FRAME) <b>**CHROME**</b> BIG TWIN 1936-1957
K-2-749	62575-36	each	OIL TANK MOUNTING PLATE, BIG TWIN 1936-1964
K-2-524	62585-36	each	BATTERY PLATE MOUNTING BRACKET, <b>**CHROME**</b> BIG TWIN 1936-1957
Y-21-915	66480-67	each	BATTERY SUPPORT BRACKET, <b>**CHROME**</b> SPORTSTER 1967-1978
K-2-868	69129-72B	each	CHOKE AND HORN BRACKET, <b>**CHROME**</b> SPORTSTER 1954-1985
J-1-23		each	SUPPORT BRACKET, TRANSMISSION MAINSHAFT <b>**WITH BEARING**</b> BIG TWIN 1970-P
K-2-405		each	KEY SWITCH BRACKET, <b>**CHROME**</b> BIG TWIN 1936-PRESENT
E-811		pair	EXHAUST PORT CLAMPS, (THIN WALL) <b>**CHROME**</b> BIG TWIN 1948-1965
E-813		pair	EXHAUST PORT CLAMPS, (THICK WALL) <b>**CHROME**</b> BIG TWIN 1948-1965

**\*\*FUEL RELATED\*\***

**\*\*OIL-GAS-AIR\*\***

- 
- \* AIR FILTERS**
  - \* AIR CLEANERS**
  - \* AIR SCOOP**
  - \* FUEL FILTERS**
  - \* GAS CAPS**
  - \* GAS LINES**
  - \* HOSE CLAMPS**
  - \* OIL FILTERS**
  - \* OIL LINES**
  - \* OIL TANKS AND RELATED PARTS**

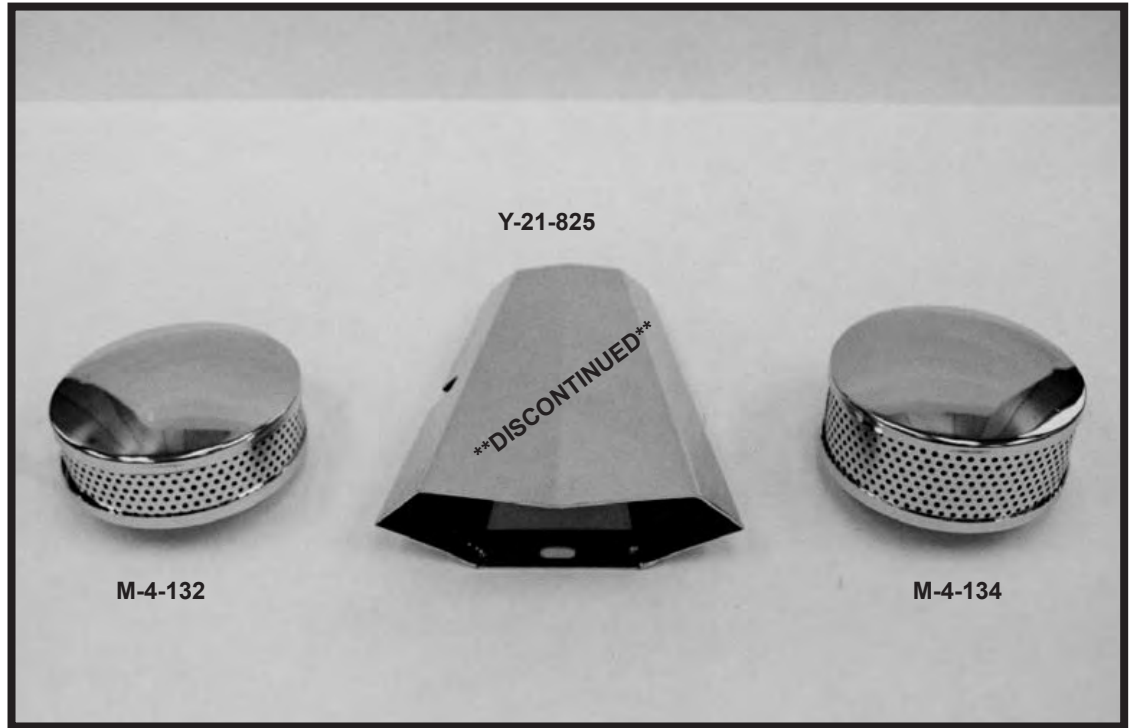


# **\*\*EASTERN MOTORCYCLE PARTS\*\***

## **\*\*AIR FILTERS\*\***

### **\*\*AND RELATED PARTS\*\***

### **\*\*BIG TWIN-SPORTSTER\*\***



<u>EASTERN NUMBER</u>	<u>REPLACES OEM</u>		<u>DESCRIPTION</u>
A-29168-83A	29168-83A	each	LOCK TAB, AIR CLEANER, SPORTSTER 1979-1986
A-24922-93	24922-93	pair	BREATHER CONNECTOR (AIR CLEANER) BIG TWIN 1993-PRESENT
A-29476-99	24476-99	pair	BREATHER TUBE SET (AIR CLEANER) BIG TWIN 1999-2012
A-29502-08A	29502-08A	pair	BREATHER TUBE SET (AIR CLEANER) BIG TWIN 2008-2013
M-4-132	29002-85T	each	AIR CLEANER **WITH VENT** (CHROME) **1-3/4" TALL**
M-4-134		each	AIR CLEANER **WITH VENT** (CHROME) **2-1/2" TALL**

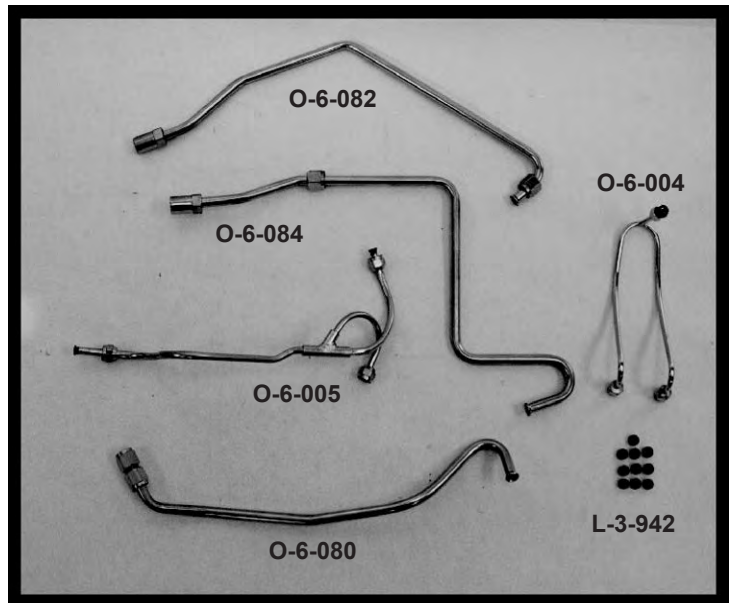
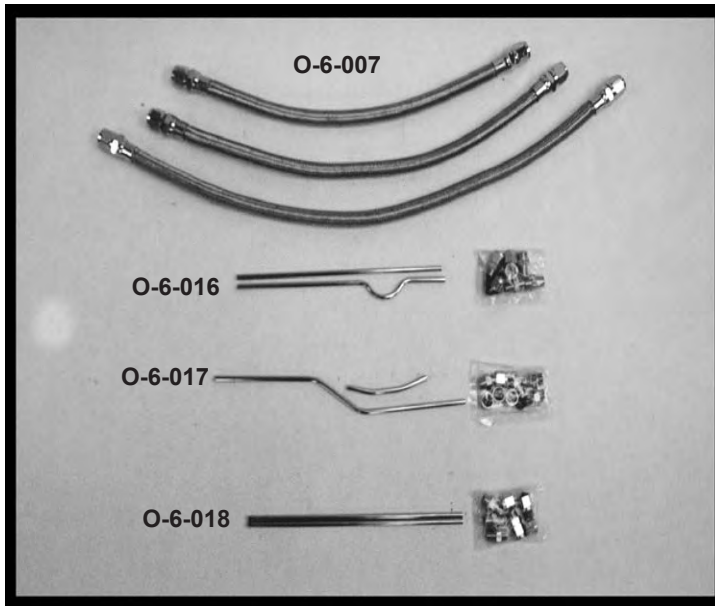


# \*\*EASTERN MOTORCYCLE PARTS\*\*

## \*\*OIL LINES\*\*

### \*\*STEEL\*\*

### \*\*BIG TWIN-SPORTSTER\*\*



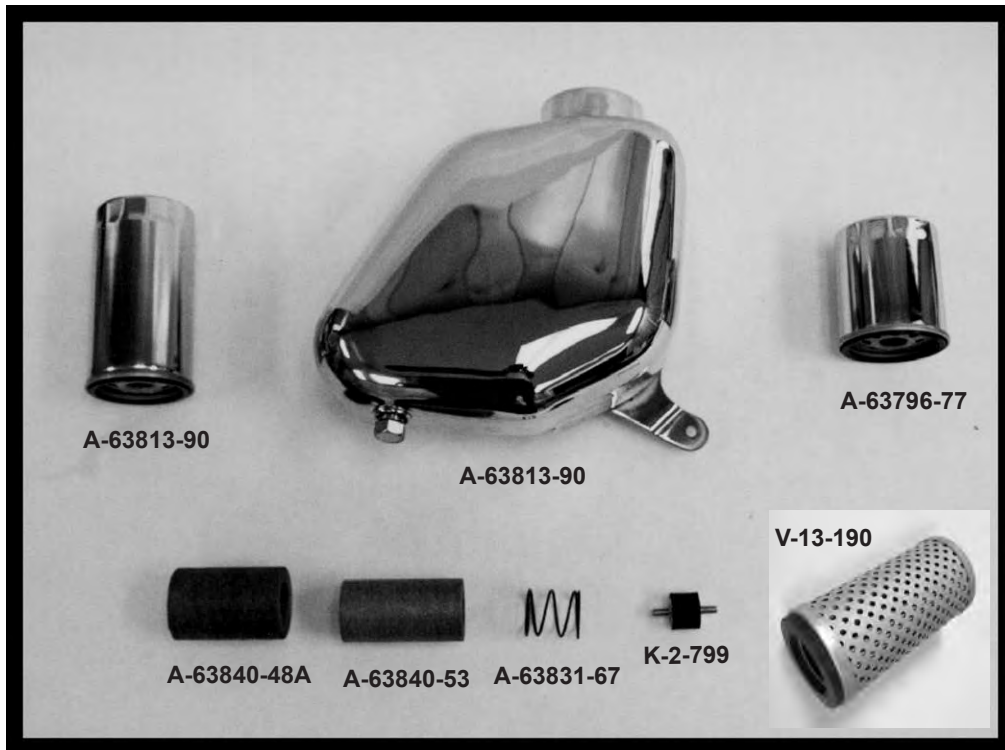
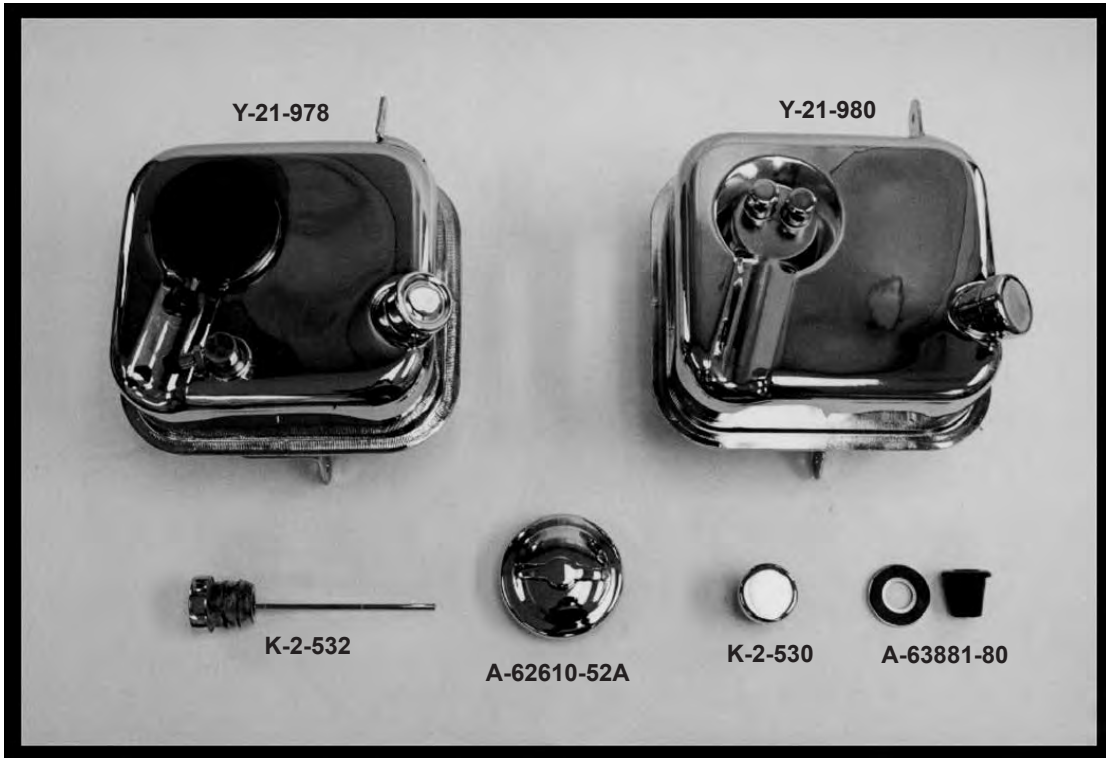
<u>EASTERN NUMBER</u>	<u>REPLACES OEM</u>	<u>DESCRIPTION</u>
O-6-016	17324-57A kit 17324-58	OIL LINES, ROCKER BOX TO CASE, (STEEL) <b>**CHROME**</b> SPORTSTER 1957-1969
O-6-009	17324-57B set-2	OIL LINES TO ROCKER COVERS, <b>**BRAIDED**</b> SPORTSTER 1957-1985
O-6-018	17324-57B kit	OIL LINES, ROCKER BOX TO CASE, (STEEL) <b>**CHROME**</b> SPORTSTER 1957-1985
A-26550-38A	26550-38A each	OIL PRESSURE SWITCH, FORTY-FIVE 1938-1973, SIDE VALVE 1938-1948
A-26551-39A	26551-39A each	OIL PRESSURE SWITCH, BIG TWIN 1939-1984
A-26552-72	26552-72 each	OIL PRESSURE SWITCH, BIG TWIN 1939-1984, SPORTSTER 1954-1976
A-26554-77	26554-77 each	OIL PRESSURE SWITCH, SPORTSTER 1977-1990
A-26561-84	26561-84 each	OIL PRESSURE SWITCH, BIG TWIN 1984-1999
A-26561-99	26561-99 each	OIL PRESSURE SWITCH, <b>**2-CAM**</b> BIG TWIN 1999-PRESENT
O-6-004	62780-63 each	OIL LINES, CASE TO HEADS, <b>**WISHBONE**</b> BIG TWIN 1963-1965
O-6-010	62783-66A set-2 62785-66A	OIL LINES TO ROCKER COVERS, <b>**BRAIDED**</b> BIG TWIN 1966-1984
O-6-017	62783-66A kit 62785-66A	OIL LINES, ROCKER BOX TO CASE, (STEEL) <b>**CHROME**</b> BIG TWIN 1966-1984
O-6-002	63480-42 each	OIL LINES, FEED CASE TO ROCKERS, (CAD) <b>**KNUCKLEHEAD**</b> BIG TWIN 1942-'47
O-6-005	63480-42 each	OIL LINES, FEED CASE TO ROCKERS, (CHROME) <b>**KNUCKLEHEAD**</b> BIG TWIN 1942-'47
O-6-080	63506-41 each	OIL LINE, (RETURN) <b>**CHROME**</b> BIG TWIN 1941-1964
O-6-082	63511-38 each	OIL LINE, (FEED) <b>**CHROME**</b> BIG TWIN 1938-1957
O-6-084	63511-58 each	OIL LINE, (FEED) <b>**CHROME**</b> BIG TWIN 1958-1964
A-63529-50	63529-50 pk-10	OIL LINE RUBBER SLEEVES, BIG TWIN 1949-1964, SPORTSTER 1954-1966
L-3-942	63529-57 pk-10	OIL LINE RUBBER SLEEVES, BIG TWIN 1966-1984, SPORTSTER 1957-1985
O-6-086	63572-38 each	OIL LINE, (VENT) <b>**CHROME**</b> BIG TWIN 1938-1964
O-6-007	set-3	OIL LINES, OIL TANK TO OIL PUMP, BIG TWIN 1936-1964

**\*\*EASTERN MOTORCYCLE PARTS\*\***

**\*\*OIL TANKS\*\***

**\*\*AND RELATED PARTS\*\***

**\*\*BIG TWIN-SPORTSTER\*\***



**\*\*CONTINUED NEXT PAGE\*\***

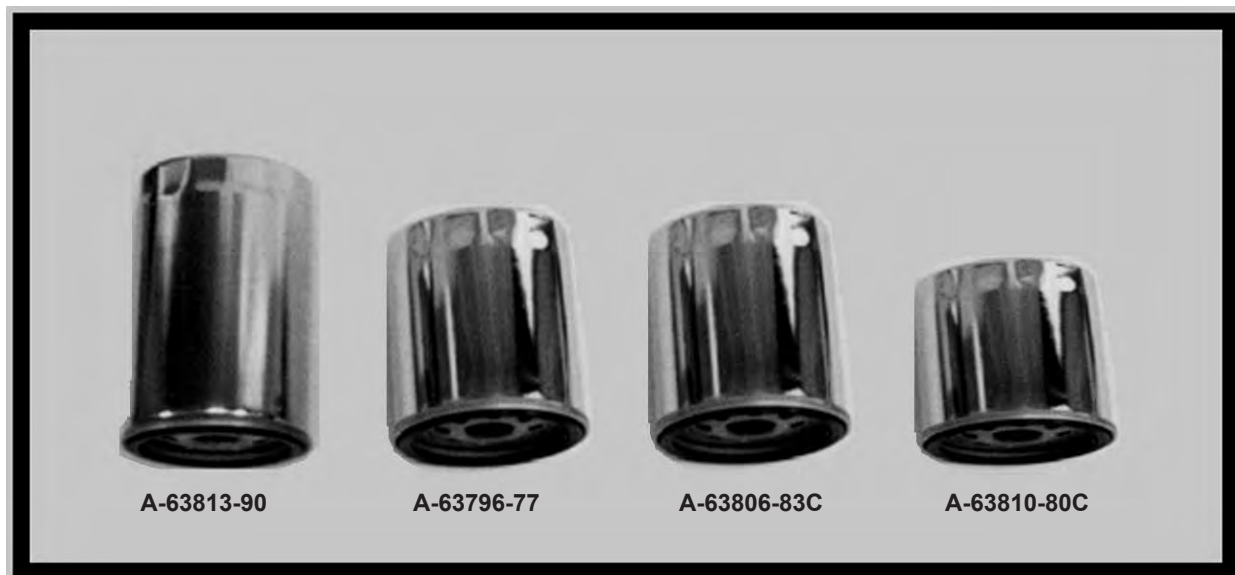
# **\*\*EASTERN MOTORCYCLE PARTS\*\***

## **\*\*OIL TANKS\*\***

### **\*\*AND RELATED PARTS\*\***

#### **\*\*BIG TWIN-SPORTSTER\*\***

<b><u>EASTERN NUMBER</u></b>	<b><u>REPLACES OEM</u></b>	<b><u>DESCRIPTION</u></b>
44-0110	11345 pk-10	O-RINGS, OIL TANK DIPSTICK, BIG TWIN 2000-PRESENT
Y-21-978	62504-65B each	OIL TANK, <b>**CHROME**</b> BIG TWIN 1965-1982
Y-21-980	62504-82A each	OIL TANK, <b>**CHROME**</b> BIG TWIN 1982-1986
Y-21-975	62507-67A each	OIL TANK, <b>**CHROME**</b> SPORTSTER 1954-1978
Y-21-920	62534-65 each	OIL TANK TRIM, <b>**CHROME**</b> BIG TWIN 1965-1984
K-2-799	62563-65A each	RUBBER MOUNTING STUDS, BIG TWIN 1965-1996, SPORTSTER 1967-2003
A-62610-52A	62610-52A each	OIL TANK CAP ASSEMBLY, BIG TWIN 1965-1986, SPORTSTER 1954-1978
K-2-530	62625-65 each	OIL TANK FILLER PLUG, <b>**CHROME**</b> BIG TWIN 1965-1986, SPORTSTER 1970-1986
K-2-532	62625-70 each	OIL TANK FILLER PLUG, (W/DIP STICK) <b>**CHROME**</b> BIG TWIN 1970-1986, SP. 1970-1978
K-2-534	62625-70A each	OIL TANK FILLER PLUG, (W/GAUGE) <b>**CHROME**</b> BIG TWIN 1970-1986, SP. 1970-1978
A-63810-80C	63782-80 each	OIL FILTER, SHORT, <b>**CHROME**</b> BIG TWIN 1982-1986, SPORTSTER 1980-E/1984
A-63796-77	63796-77 each	OIL FILTER, MEDIUM, <b>**CHROME**</b> BIG TWIN 1980-1999, SPORTSTER L/1984-2010
A-63798-99	63798-99 each	OIL FILTER, 2-CAM, <b>**CHROME**</b> BIG TWIN 2000-PRESENT
A-63805-80	63805-80 each	OIL FILTER, MEDIUM, <b>**BLACK**</b> BIG TWIN 1980-1992, SPORTSTER L/1984-PRESENT
A-63806-83B	63806-83B each	OIL FILTER, LOW RESTRICTION, <b>**BLACK**</b> BIG TWIN 1980-1986, SPORTSTER L/1984-P.
A-63806-83C	63806-83C each	OIL FILTER, LOW RESTRICTION, <b>**CHROME**</b> BIG TWIN 1980-1986, SPORT. L/1984-P.
A-63810-80B	63810-80A each	OIL FILTER, SHORT, <b>**BLACK**</b> BIG TWIN 1982-1986, SPORTSTER 1980-E/1984
A-63812-90	63812-90 each	OIL FILTER, LONG, <b>**BLACK**</b> BIG TWIN 1991-1992, SPORTSTER L/1984-PRESENT
A-63813-90	63813-90 each	OIL FILTER, LONG, <b>**CHROME**</b> BIG TWIN 1991-1996, SPORTSTER L/1984-PRESENT
A-63815-99	63815-99 pk-10	OIL FILTER ELEMENT ONLY, BREATHER BAFFEL, <b>**2-CAM**</b> BIG TWIN 1999-PRES.
A-63831-67	63831-67 pk-10	SPRING, OIL FILLER CAP, BIG TWIN 1967-1982, SPORTSTER 1967-1978
A-63840-48A	63840-48A each	OIL FILTER ELEMENT ONLY, (EXTERNAL FILTERS) BIG TWIN 1940-1964
A-63840-53	63840-53 each	OIL FILTER ELEMENT ONLY, (IN OIL TANK) BIG TWIN 1953-1982, SPORTSTER 1954-1978
V-13-190	63840-53 each	OIL FILTER ELEMENT, (IN OIL TANK) BIG TWIN 1953-1982, SPORTSTER 1954-1978
A-63879-53	63879-53 pk-10	O-RINGS, OIL FILTER CUP, BIG TWIN 1958-1982, SPORTSTER 1954-1978
A-63881-80	63881-67 each	OIL FILTER SEAL AND RUBBER KIT, BIG TWIN 1967-1982, SPORTSTER 1967-1978



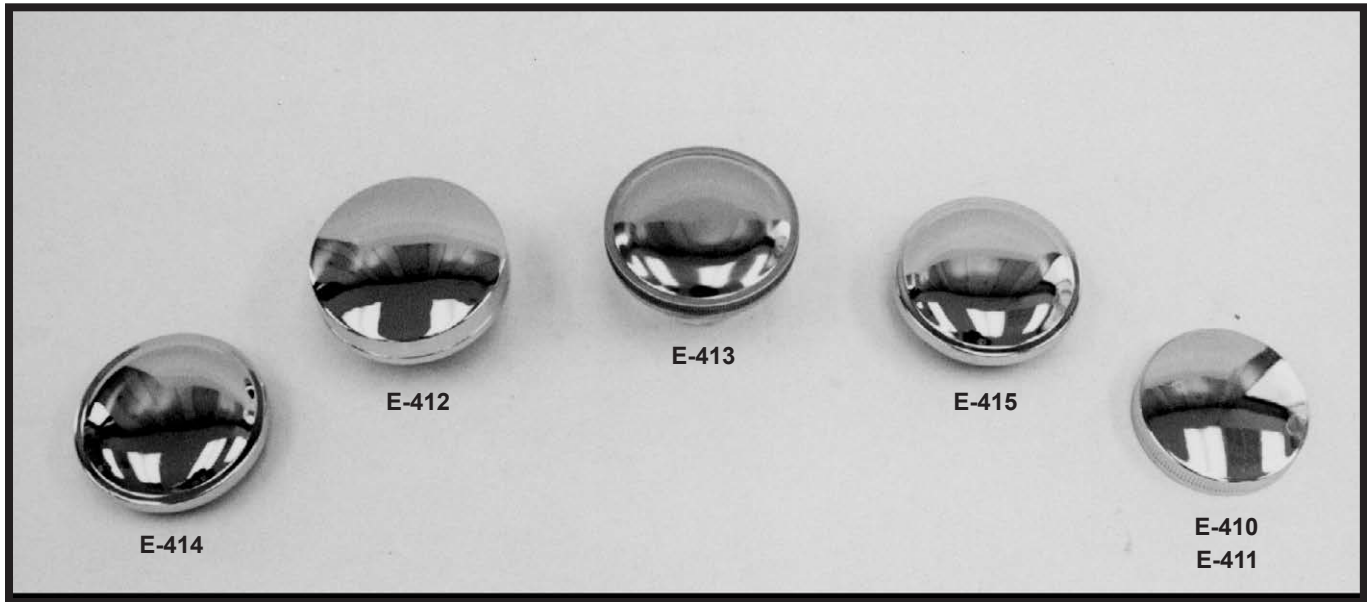


# **\*\*EASTERN MOTORCYCLE PARTS\*\***

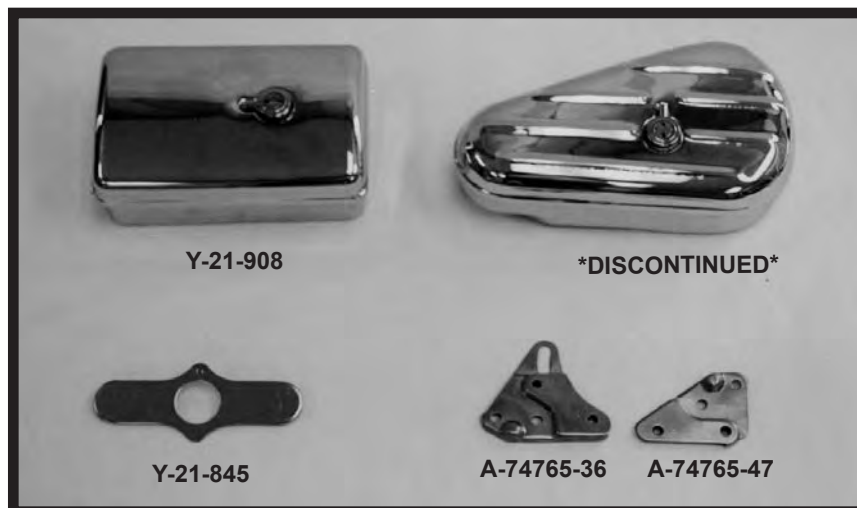
## **\*\*GAS CAPS\*\***

**\*\*WITH AND WITHOUT VENT\*\***

**\*\*BIG TWIN-SPORTSTER\*\***



<u>EASTERN NUMBER</u>	<u>REPLACES OEM</u>	<u>DESCRIPTION</u>
E-414	61102-73 each	GAS CAP, RIGHT SIDE (WITH VENT) <b>**CHROME**</b> BIG TWIN 1973-1982, SP. 1973-1982
E-412	61102-83A each	GAS CAP, RIGHT SIDE (WITH VENT) <b>**THREADED**</b> BIG TWIN 1983-1991, SP. 1983-1991
E-410	61103-36 each	GAS CAP, (WITH VENT) <b>**CHROME**</b> BIG TWIN 1936-1973, SPORTSTER 1958-1973
E-411	61103-65 each	GAS CAP, (WITHOUT VENT) <b>**CHROME**</b> BIG TWIN 1965-1973
E-415	61103-73 each	GAS CAP, LEFT SIDE (WITHOUT VENT) <b>**CHROME**</b> BIG TWIN 1973-1982
E-413	61103-83 each	GAS CAP, LEFT SIDE (WITHOUT VENT) <b>**THREADED**</b> BIG TWIN 1983-1996



Y-21-908	3452-35 each	TOOL BOX, (SQUARE) <b>**CHROME**</b> BIG TWIN 1936-1939
Y-21-845	46550-36 each	COVER, UPPER TRIPLE TREE, <b>**STAINLESS STEEL**</b> FORTY-FIVE 1940-1973
A-74765-36	74765-36 each	RELAY MOUNTING BRACKET, <b>**CHROME**</b> BIG TWIN 1936-1946
A-74765-47	74765-47 each	RELAY MOUNTING BRACKET, <b>**CHROME**</b> BIG TWIN 1947-1964

# **\*\*EASTERN MOTORCYCLE PARTS\*\***

## **\*\*OIL AND GAS LINES\*\***

### **\*\*AND RELATED PARTS\*\***

#### **\*\*BIG TWIN-SPORTSTER\*\***



A-29502-08A



A-29476-99



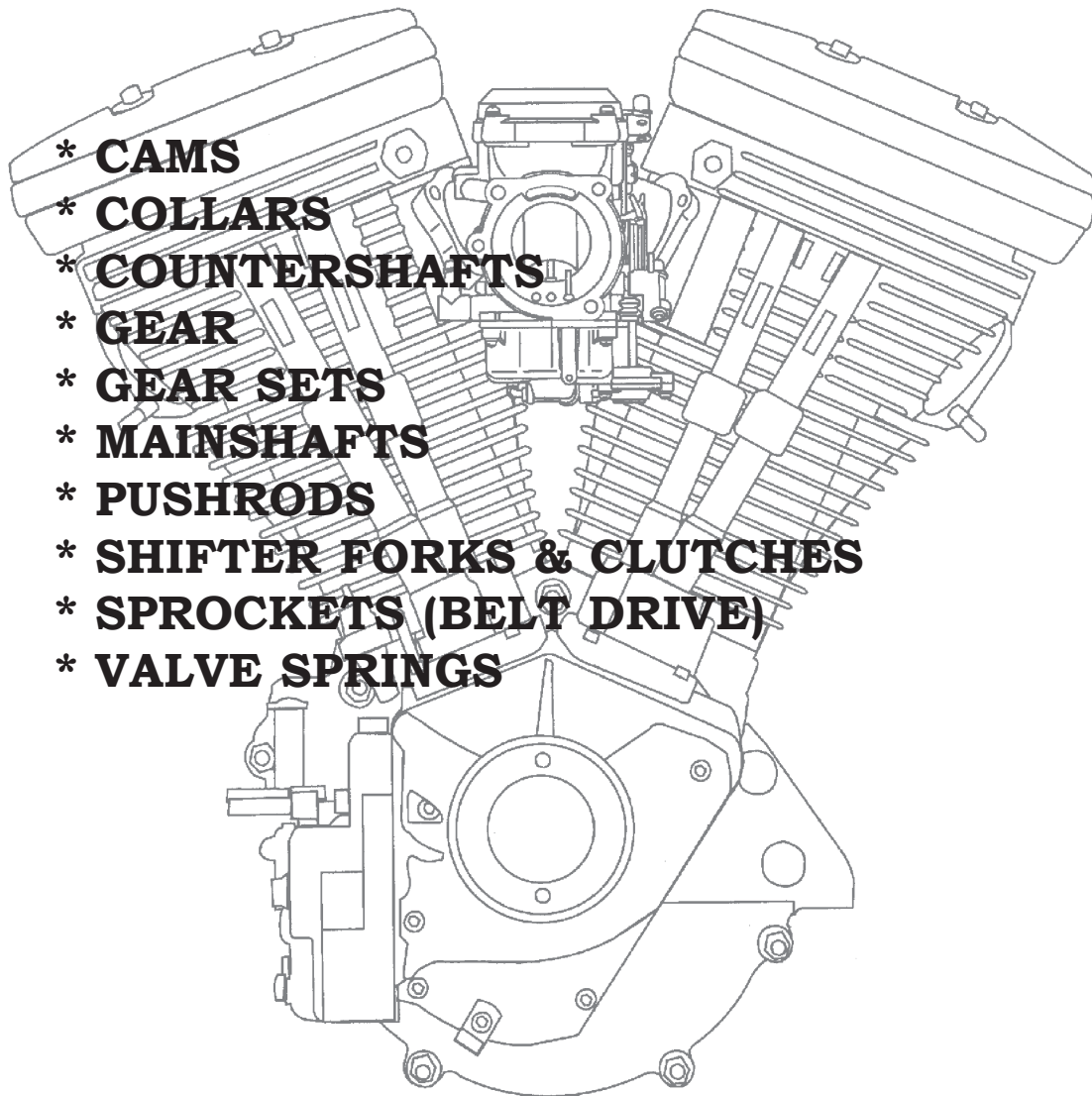
V-13-225



A-24922-93

<u>EASTERN NUMBER</u>	<u>REPLACES OEM</u>	<u>DESCRIPTION</u>
A-9992	9992	pk-25 HOSE CLAMPS, **11/32" I.D.** BIG TWIN-SPORTSTER
A-9996	9996	pk-25 HOSE CLAMPS, **7/16" I.D.** BIG TWIN-SPORTSTER
A-10014	10014	pk-25 HOSE CLAMPS, **17/32" I.D.** BIG TWIN-SPORTSTER
A-10020A	10020A	pk-25 HOSE CLAMPS, **11/16" I.D.** BIG TWIN-SPORTSTER
A-10049	10049	pk-25 HOSE CLAMPS, **19/32" I.D.** BIG TWIN-SPORTSTER
A-10067	10067	pk-10 HOSE CLAMPS, **1/4" I.D.** BIG TWIN-SPORTSTER <b>**STAINLESS**</b>
A-10080	10080	pk-10 HOSE CLAMPS, **11/16" I.D.** BIG TWIN-SPORTSTER
A-10086	10086	pk-25 HOSE CLAMPS, **13/16" I.D.** BIG TWIN-SPORTSTER
A-10117	10117	pk-25 HOSE CLAMPS, **1/2" I.D.** BIG TWIN-SPORTSTER
A-10157	10157	pk-10 HOSE CLAMPS, **3/4" I.D.** BIG TWIN-SPORTSTER <b>**STAINLESS**</b>
A-10198	10198	pk-10 HOSE CLAMPS, **5/8" I.D.** BIG TWIN-SPORTSTER <b>**STAINLESS**</b>
A-10198A	10198	pk-25 HOSE CLAMPS, **5/8" I.D.** BIG TWIN-SPORTSTER
E-405		pk-10 MINI CLAMPS (OIL & GAS LINES) **3/16 TO 5/8" ** BIG TWIN-SPORTSTER
V-13-225	27709-06A	each FUEL INJECTOR, BIG TWIN 2006-PRESENT <b>**EASTERN**</b>
A-97087-65A	97087-65A	each HOSE CLAMP CRIMPING PLIERS, <b>**OIL &amp; GAS LINES**</b>
A-97087-KIT	97087-KIT	KIT, HOSE CLAMPS AND PLIERS, <b>**OIL &amp; GAS LINES**</b>
<b>KIT INCLUDES: (10) 9992, (10) 9996, (10) 10014, (10) 10020, (10) 10049, (10) 10080, (10) 10086</b>		
E-390		kit PETCOCK KIT, <b>**FATBOB GAS TANKS**</b> BIG TWIN 1936-1965
E-395		each PETCOCK, (90 DEGREE OUTLET) <b>**CHROME**</b> BIG TWIN 1966-1974, SPORT. 1957-1974
E-402		25ft FUEL LINE (NYLON BRAIDED) **1/4" ** BIG TWIN-SPORTSTER
E-404		25ft FUEL LINE (NYLON BRAIDED) **3/8" ** BIG TWIN-SPORTSTER
E-406		25ft FUEL LINE (BLACK NEOPRENE) **3/16" ** BIG TWIN-SPORTSTER
E-407		25ft FUEL LINE (BLACK NEOPRENE) **1/4" ** BIG TWIN-SPORTSTER
E-408		25ft FUEL LINE (BLACK NEOPRENE) **5/16" ** BIG TWIN-SPORTSTER
E-409		25ft FUEL LINE (BLACK NEOPRENE) **3/8" ** BIG TWIN-SPORTSTER
V-13-180		each FUEL FILTER, **1/4 X 2" INCH LONG** BIG TWIN, SPORTSTER, FORTY-FIVE
V-13-181		each FUEL FILTER, **5/16 X 2" INCH LONG** BIG TWIN, SPORTSTER, FORTY-FIVE
V-13-182		pk-5 FUEL FILTER SCREENS, <b>**FOR #13-180 &amp; 13-181**</b> BIG TWIN, SPORTSTER, FORTY-FIVE
A-24922-93	24922-93	pair BREATHER CONNECTOR (AIR CLEANER) BIG TWIN 1993-PRESENT
A-29476-99	24476-99	pair BREATHER TUBE SET (AIR CLEANER) BIG TWIN 1999-2012
A-29502-08A	29502-08A	pair BREATHER TUBE SET (AIR CLEANER) BIG TWIN 2008-2013

**\*\*ANDREWS\*\***  
**\*\*PRODUCTS\*\***

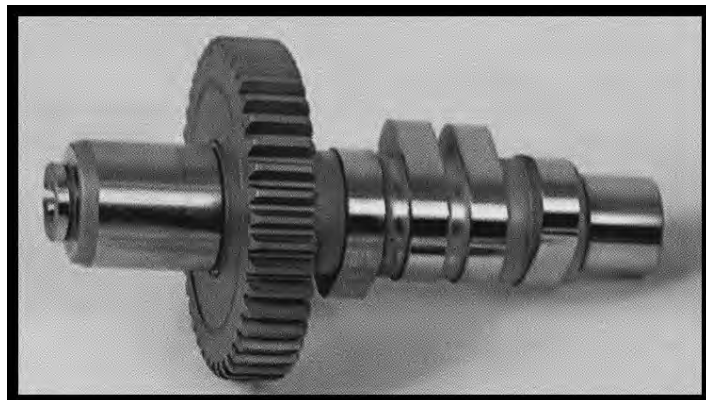
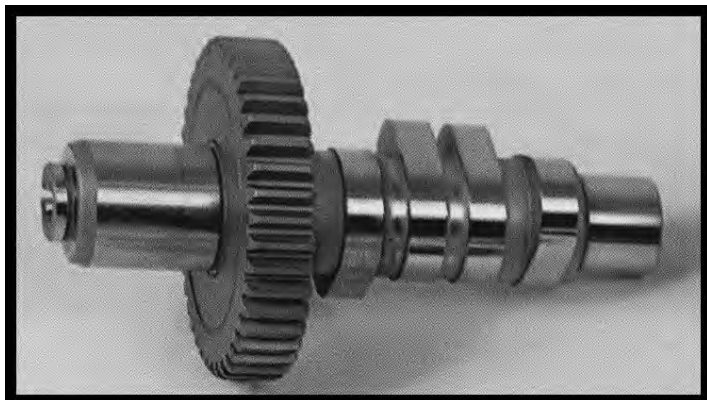


- \* CAMS
- \* COLLARS
- \* COUNTERSHAFTS
- \* GEAR
- \* GEAR SETS
- \* MAINSHAFTS
- \* PUSHRODS
- \* SHIFTER FORKS & CLUTCHES
- \* SPROCKETS (BELT DRIVE)
- \* VALVE SPRINGS

# **\*\*EASTERN MOTORCYCLE PARTS\*\***

## **\*\*ANDREWS CAMS\*\***

### **\*\*BIG TWIN 1948-1984\*\***



#### **EASTERN**

<b><u>NUMBER</u></b>	<b><u>YEAR</u></b>	<b><u>GRIND</u></b>	<b><u>TIMING</u></b>	<b><u>DURATION</u></b> @.053	<b><u>VALVE LIFT</u></b> SHOVEL PAN	<b><u>DESCRIPTION</u></b>
----------------------	--------------------	---------------------	----------------------	---------------------------------	--	---------------------------

#### **CAMS FOR LOW COMPRESSION ENGINES**

74-0272	1948-1969		16/36	232	.427	.450	This is the low compression piston version of the "A" grind cam for 74 and 80 engines with 7.5 compression ratio pistons.
74-0274	1970-1977	<b>1</b>	36/16	232	.427		
74-0276	1978-1984				.427		
74-0278	1948-1969		15/35	230	.490	.512	Low compression piston version of a "B" grind cam. More power through RPM range for engines with 7.5 compression pistons.
74-0280	1970-1977	<b>2</b>	35/15	230	.490		
74-0282	1978-1984				.490		
74-0284	1948-1969		23/43	246	.514	.540	High lift short duration for motors 84 inches or larger. More power for small strokers with 7.5 compression pistons.
74-0286	1970-1977	<b>3</b>	43/23	246	.514		
74-0288	1978-1984				.514		

#### **HIGH PERFORMANCE & DRAGSTER CAMS**

74-0208	1948-1969		28/56	264	.590	.210	Street Drags: 88+ in. motors maximum mid range torque cam 3000/6500 RPM. O.K. for low compression on street.
74-0210	1970-1977	<b>M</b>	56/28	264	.590		
74-0212	1978-1984						

74-0398	1937-1948	UL80		Andrews# 214380		
---------	-----------	------	--	-----------------	--	--

**\*\*SEE PAGE 475,476 FOR CROSS REFERENCE NUMBERS\*\***  
**\*\*FROM ANDREWS TO EASTERN\*\***

**\*5120 HILDA ROAD\* BLACKVILLE, S.C. 29817\* 803-284-3304\***

**\*Pg 396\***



# \*\*EASTERN MOTORCYCLE PARTS\*\*

## \*\*ANDREWS CAMS\*\*

### \*\*BIG TWIN 1948-1984\*\*

#### EASTERN

<u>NUMBER</u>	<u>YEAR</u>	<u>GRIND</u>	<u>TIMING</u>	<u>DURATION</u> @.053	<u>VALVE LIFT</u>	<u>DESCRIPTION</u> CAMS FOR STREET AND DRAG APPLICATIONS
STOCK H/D CAMS (FRONT CYL)						
			-6/46	220	.390 .412	Stock H/D front cylinder timing
			44/20	244	.390 .412	Listed for comparison
STOCK H/D CAMS (REAR CYL)						
			14/38	232	.390 .412	Stock H/D rear cylinder timing
			44/20	244	.390 .412	Listed for comparison
74-0216	1948-1969	AB	21/43	244	.450 .470	"A" Intake and long duration exhaust for cooler running and more high end power. Both in street cam (except 80-81) O.K. for Hyd. Lifters
74-0218	1970-1977		50/26	256	.450	
74-0220	1978-1984					
74-0224	1948-1969	J	21/41	242	.405 .425	Mild street: Pans and Shovels, smooth idle, more power through RPM range. Bolts in with no head work.
74-0226	1970-1977		41/21	242	.405	
74-0228	1978-1984				.405	
74-0236	1948-1969	F	16/48	244	.450 .470	Back by popular demand. Basically an "A" grind cam with delayed timing for NO PING! Lots more power than the stock cam. Bolts on to Shovels, except 1980-81
74-0238	1970-1977		48/16	244	.450	
74-0240	1978-1984					
	1948-1969	A	*use 74-0243 A2 grind*		.450 .470	Street/Drags: Bolts into Shovels (except 1980-81) with no head work. More mid range and high end power.
	1970-1977		*use 74-0245 A2 grind*			
	1978-1984		*use 74-0247 A2 grind*		.450	
74-0243	1948-1969	A2	19/43	242	.450 .470	<b>REPLACES "A-GRIND CAMS" New improved for 2008!</b> Bolts into Shovels (except 1980-81) with no head work. More mid range and high end power. Idle unaffected
74-0245	1970-1977		50/18	248	.450 .470	
74-0247	1978-1984					
74-0248	1948-1969	B	26/50	256	.485 .507	Street/Drags: Much more mid range & high end power. Idle smoothness unaffected. "THE" cam for modified 74 & 80 inches and small stokers.
	1970-1977		*use 74-0251 B2 grind*			
	1978-1984		*use 74-0253 B2 grind*		.485	
74-0249	1948-1969	B2	26/50	256	.485 .507	<b>New improved for 2008!</b> Street/Drags: More mid range & high end power, smooth idle. Best cam for modified 74/80 inches and small stokers. Sprin spacing required
74-0251	1970-1977		53/25	258	.485 .507	
74-0253	1978-1984					
74-0254	1948-1969	BH	24/52	256	.450 .470	Hydraulic version of a "B" cam. Usually a bolt in spring spacing may be required on 1980-81 Shovels.
74-0256	1970-1977		52/24	256	.450	
74-0258	1978-1984				.450	
	1948-1969	6	*use 74-0261 7 grind*			Hotter version of a "B" grind. Great street cam especially for 84/88 inch stokers: maximum torque available from 2500 to 6500 RPM
	1970-1977		*use 74-0263 7 grind*			
	1978-1984		*use 74-0265 7 grind*			
74-0261	1948-1969	7	29/53	262	.510 .535	<b>New improved for 2008!</b> Upgraded version of original #6 grind. Great street cam for 84/88 inch stokers: max torque available from 2200 to 6500 RPM
74-0263	1970-1977		59/27	266	.510 .535	
74-0265	1978-1984					
74-0266	1948-1969	C	37/61	278	.525 .550	Best production cam made for big street engines. Stokers from 84" to 96" will really turn on with this cam. Broad torque range pulls from 2000-7000+ RPM
74-0268	1970-1977		61/37	278	.525	
74-0270	1978-1984				.525	

# **\*\*EASTERN MOTORCYCLE PARTS\*\***

## **\*\*ANDREWS CAMS\*\***

### **\*\*BIG TWIN 1985-PRESENT\*\***

#### **\*\*EVOLUTION\*\***

#### **EASTERN**

#### **NUMBER**

#### **GRIND TIMING**

#### **DURATION**

#### **VALVE LIFT**

#### **SPRINGS**

#### **DESCRIPTION**

@.053

#### **CAMS FOR EVOLUTION ENGINES**

#### **BIG TWIN 1985-PRESENT**

	<b>STOCK</b>	<b>01/37</b>	<b>218</b>	<b>.495</b>	<b>STOCK</b>	Listed for comparison. 1984-87 is 212 degree intake, 202 degree exhaust, .472 lift on both.
	<b>88-91</b>	<b>53/01</b>	<b>232</b>	<b>.495</b>		
	<b>STOCK</b>	<b>-02/30</b>	<b>208</b>	<b>.472</b>	<b>STOCK</b>	Listed for comparison. 92 cam very close to 84-87 specs. California cams are approximately 178 degree duration.
	<b>92-95</b>	<b>31/-09</b>	<b>202</b>	<b>.472</b>		
<b>74-0354</b>	<b>EV-3</b>	<b>21/37</b>	<b>238</b>	<b>.495</b>	<b>STOCK</b>	Bolt in cam for light bikes (FXRS, etc.). More mid range power. Idle smoothness unaffected. This is a 6000RPM cam for stock heads and springs with hydraulic lifters.
		<b>43/15</b>	<b>238</b>	<b>.495</b>		
<b>74-0372</b>	<b>EV-13</b>	<b>15/31</b>	<b>226</b>	<b>.485</b>	<b>STOCK</b>	Bolt in cam for street or touring with more mid range and upper end power, more power than stock EV cam.
		<b>45/13</b>	<b>238</b>	<b>.495</b>		
<b>74-0350</b>	<b>EV-1</b>	<b>12/34</b>	<b>226</b>	<b>.485</b>	<b>AP Springs</b>	
		<b>34/12</b>	<b>226</b>	<b>.485</b>		
<b>74-0368</b>	<b>EV-9</b>	<b>36/60</b>	<b>276</b>	<b>.550</b>	<b>AP Springs</b>	
		<b>64/32</b>	<b>276</b>	<b>.550</b>		
<b>74-0358</b>	<b>EV-5</b>	<b>28/44</b>	<b>252</b>	<b>.530</b>	<b>AP Springs</b>	For modified engines with strokers and head work. Andrews springs and titanium collars recommended with hydraulic lifters. 2500-6500 RPM power range.
		<b>52/20</b>	<b>252</b>	<b>.530</b>	<b>Travel set to .560 min</b>	
<b>74-0364</b>	<b>EV-7</b>	<b>31/55</b>	<b>266</b>	<b>.560</b>	<b>AP Springs</b>	For lighter bikes with bigger strokers. 92+ inch and head work. Andrews springs, titanium collars and hydraulic lifters recommended. 2800-6500 RPM power range.
		<b>59/27</b>	<b>266</b>	<b>.560</b>	<b>Travel set to .590 min</b>	
<b>74-0373</b>	<b>EV-23</b>	<b>10/30</b>	<b>220</b>	<b>.498</b>	<b>STOCK</b>	Mild bolt-in street cam with more torque and HP for all around riding with stock comp. ratio. Similar to stock L cam but more output. Pulls from 1800-5200 RPM
		<b>40/08</b>	<b>228</b>	<b>.498</b>		
<b>74-0374</b>	<b>EV-27</b>	<b>20/36</b>	<b>236</b>	<b>.495</b>	<b>STOCK</b>	A great bolt-in cam for stock EV80 engines using state of the art design. Very strong, broad torque band which will pull hard from 2000-5500RPM
		<b>46/14</b>	<b>240</b>	<b>.495</b>		

# **\*\*EASTERN MOTORCYCLE PARTS\*\***

## **\*\*ANDREWS CAMS\*\***

### **\*\*BIG TWIN 1985-PRESENT\*\***

#### **\*\*EVOLUTION\*\***

**EASTERN  
NUMBER**

**GRIND TIMING**

**DURATION**

**VALVE LIFT**

**SPRINGS**

**DESCRIPTION**

@.053

**CAMS FOR EVOLUTION ENGINES**

**BIG TWIN 1985-PRESENT**

74-0375	EV-31	10/46	236	.495	STOCK	Super power for supercharged engines; Basically an EV-27 cam with timing set for superchargers or big inch motors with 10.5+ compression ratio.
		52/08	240			
74-0376	EV-35	21/37	238	.495 .530	AP Springs Travel set to .560 min	Combination grind for lighter bikes with great mid range and high end power. The timing of this cam will reduce oil temperatures during hot weather operation. To 6500 RPM.
		52/20	252			
74-0377	EV-46	25/41	246	.495	STOCK	Bolt in performance cam, state of the art ramp design. Longer duration than EV-3 but higher static compression, pressure, wide torque band; 2600 to 6000+ RPM
		49/17	246			
74-0382	EV-57	26/46	252	.530 .560	AP Springs Travel set to .590 min	Combination grind for street strokers, 88+ cu in. Andrews springs, and titanium collars recommended with hydraulic lifters. Great mid range power. 2500-6000RPM power range.
		59/27	266			
74-0388	EV-79	31/55	266	.560 .550	AP Springs Travel set to .590 min	Engines with 92+ inches and higher compression (9.0+) will run cooler at sustained high RPM with this cam using Andrews springs, collars and stock hydraulic lifters to 6500 RPM.
		64/32	276			

# **\*\*EASTERN MOTORCYCLE PARTS\*\***

## **\*\*ANDREWS CAMS\*\***

**\*\*BIG TWIN 1948-1951\*\***

**\*\*KNUCKLE HEAD/61" OHV\*\***

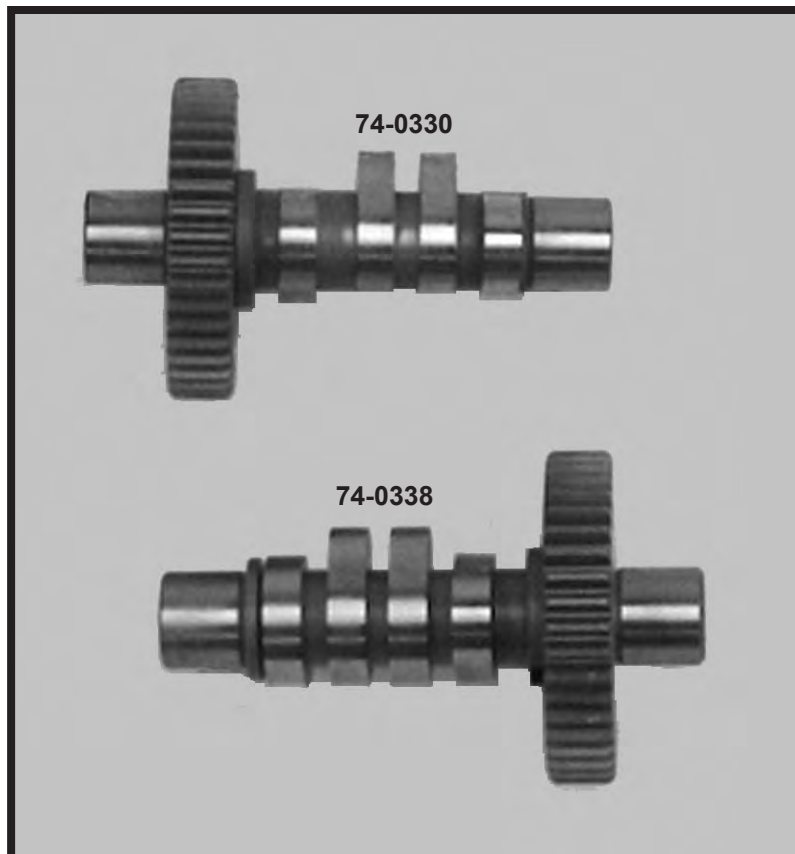
### **EASTERN**

<b><u>NUMBER</u></b>	<b><u>YEAR</u></b>	<b><u>GRIND</u></b>	<b><u>TIMING</u></b>	<b><u>DURATION</u></b>	<b><u>VALVE LIFT</u></b>	<b><u>DESCRIPTION</u></b>
----------------------	--------------------	---------------------	----------------------	------------------------	--------------------------	---------------------------

**@.053**

### **CAMS FOR KNUCKLE HEAD AND 61" PANS**

<b>74-0330</b>	1936-1947	<b>S</b>	<b>27/55</b>	<b>262</b>	<b>.370</b>	Bolt in Knuckle replacement for stock motors, smooth idle, strong pull to 6000 RPM. Knuckle equivalent of a "B" cam.
			<b>55/27</b>	<b>262</b>	<b>.370</b>	
<b>74-0332</b>	1936-1947	<b>K</b>	<b>35/63</b>	<b>278</b>	<b>.367</b>	Bolt in performance Knuckle cam. Best with 9.5 or higher compression & or stroker flywheels 3000-7000 RPM power range.
			<b>63/36</b>	<b>278</b>	<b>.367</b>	
<b>74-0334</b>	1936-1947	<b>N</b>	<b>14/42</b>	<b>236</b>	<b>.355</b>	Stock replacement Knuckle cam. For stock motors or restorations, this is the cam.
			<b>42/14</b>	<b>236</b>	<b>.355</b>	
<b>74-0338</b>	1948-1951	<b>61</b>	<b>-02/26</b>	<b>204</b>	<b>.345</b>	Replacement cam for stock 61 cu inch Panhead engine. Due to very short duration, "61" engines need this special cam to run properly.
			<b>26/-02</b>	<b>204</b>	<b>.345</b>	



**\*5120 HILDA ROAD\* BLACKVILLE, S.C. 29817\* 803-284-3304\***

**\*Pg 400\***

# **\*\*EASTERN MOTORCYCLE PARTS\*\***

## **\*\*ANDREWS\*\***

### **\*\*2-CAM PRODUCTS\*\***

### **\*\*BIG TWIN 1999-PRESENT\*\***



#### **EASTERN**

<b><u>NUMBER</u></b>	<b><u>YEAR</u></b>	<b><u>GRIND</u></b>	<b><u>TIMING</u></b>	<b><u>DURATION</u></b>	<b><u>VALVE</u></b>	<b><u>TDC</u></b>	<b><u>DESCRIPTION</u></b>
				<b>@.053 @.020</b>	<b>LIFT</b>	<b>LIFT</b>	
<b>74-1301</b>	1999-2006	<b>TW-21</b>	<b>10/30</b> <b>40/08</b>	<b>220 255</b> <b>228 264</b>	<b>.498</b> <b>.498</b>	<b>.134</b> <b>.121</b>	Bolt in cams first introduced in 2000, more torque for all around riding with stock compression ratio and heavy bikes. Similar to #23 cams foe EV-80 (1700 to 5200RPM)
							<b>**Runs great with fuel injectors or carburetors**</b>
<b>74-1302</b>	1999-2006	<b>TW-26</b>	<b>09/37</b> <b>43/07</b>	<b>226 262</b> <b>230 266</b>	<b>.490</b> <b>.490</b>	<b>.129</b> <b>.112</b>	Bolt in cams for low RPM torque. For two up touring this cam will add more torque and HP at lower and middle RPM range. (1800-5500)
							<b>**Runs great with fuel injectors or carburetors**</b>
<b>74-1303</b>	1999-2006	<b>TW-31s</b>	<b>10/46</b> <b>52/08</b>	<b>236 272</b> <b>240 276</b>	<b>.510</b> <b>.510</b>	<b>.131</b> <b>.120</b>	Great street cam for large motors and/or superchargers. Same lobes as 37G with different timing. (1800-5600RPM) with 95+ inches.
<b>74-1304</b>	1999-2006	<b>TW-37</b>	<b>14/42</b> <b>48/12</b>	<b>236 272</b> <b>240 276</b>	<b>.510</b> <b>.510</b>	<b>.151</b> <b>.140</b>	Twin 88's with this bolt-in cam grind have shown 80+ rear wheel horse power. Smooth idle broad torque band. Runs best with low restriction exhausts. (2200-5800 RPM)
							<b>**Runs great with fuel injectors or carburetors**</b>
<b>74-1305</b>	1999-2006	<b>TW-44</b>	<b>21/44</b> <b>49/17</b>	<b>242 279</b> <b>246 283</b>	<b>.495</b> <b>.495</b>	<b>.182</b> <b>.158</b>	First available in 2000 for 88 and 95 inches and 9.25 CR or higher. Maximum torque and HP at middle and upper RPM ranges. (2400-6000+ RPM)
<b>74-1306</b>	1999-2006	<b>TW-50</b>	<b>20/48</b> <b>54/18</b>	<b>248 283</b> <b>252 287</b>	<b>.510</b> <b>.510</b>	<b>.184</b> <b>.168</b>	Cams for maximum torque. For lighter bikes & engines with 9.5 CR (or higher) & 88-95 inches. (2600-6000 RPM)
<b>74-1307</b>	1999-2006	<b>TW-55</b>	<b>22/46</b> <b>52/20</b>	<b>248 283</b> <b>252 292</b>	<b>.550</b> <b>.550</b>	<b>.197</b> <b>.181</b>	High lift variation of the TW-50, this cam is best for 95+ inche engines with 9.5+ C.R. Max torque and HP at middle and higher RPM. (2600-6300RPM)
<b>74-1308</b>	1999-2006	<b>TW-60</b>	<b>24/56</b> <b>58/22</b>	<b>260 296</b> <b>260 296</b>	<b>.560</b> <b>.560</b>	<b>.205</b> <b>.192</b>	For a well prepped engine with 95 inch cylinders and head work, 100+ HP is within reach. Tuning also includes exhaust changes. (2400-6000RPM)
<b>74-1351</b>	1999-2006	<b>21G</b>	<b>10/30</b> <b>40/08</b>	<b>220 255</b> <b>228 264</b>	<b>.498</b> <b>.498</b>	<b>.134</b> <b>.121</b>	Bolt in cam first introduced in 2000, more torque for all around riding with stock compression ratio and heavy bikes. Similar to #23 cam for evo 80. (1700-5000RPM)

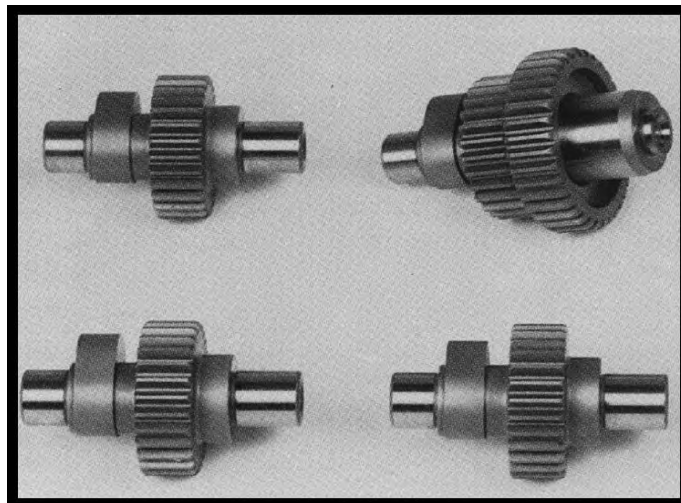
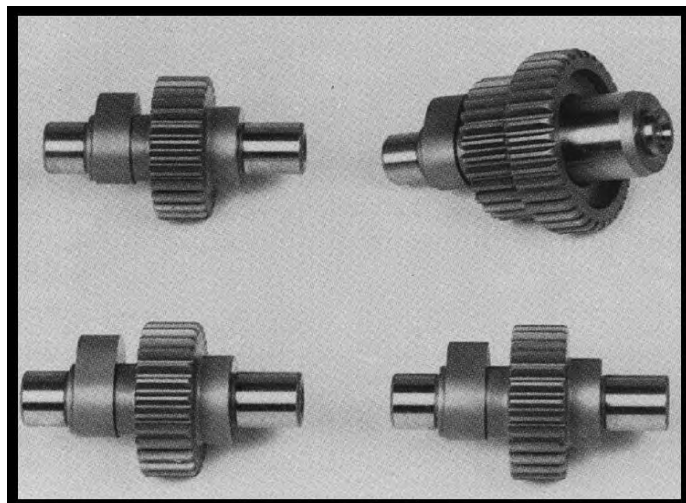
<b>74-1399</b>	<b>25716-99</b>	<b>each</b>	CAM DRIVE SPROCKET, <b>**34-TOOTH**</b> (SPLINED REAR) BIG TWIN 1999-2006 (ANDREWS #288015)				
<b>74-1401</b>	<b>25563-99</b>	<b>each</b>	CAM DRIVE SPROCKET, <b>**34-TOOTH**</b> (TAPERED REAR) BIG TWIN 1999-2006 (ANDREWS #288010)				
<b>74-1403</b>		<b>each</b>	CRANK DRIVE SPROCKET, <b>**17-TOOTH**</b> BIG TWIN 1999-2006 (ANDREWS #288020)				



# **\*\*EASTERN MOTORCYCLE PARTS\*\***

## **\*\*ANDREWS CAMS\*\***

### **\*\*SPORTSTER 1986-PRESENT\*\***



#### **EASTERN**

<b><u>NUMBER</u></b>	<b><u>YEAR</u></b>	<b><u>GRIND</u></b>	<b><u>TIMING</u></b>	<b><u>DURATION</u></b> @.053/@.020	<b><u>MAX</u></b> <b><u>LIFT</u></b>	<b><u>TDC</u></b> <b><u>LIFT</u></b>	<b><u>DESCRIPTION</u></b>
----------------------	--------------------	---------------------	----------------------	---------------------------------------	---	---	---------------------------

#### **1986 & UP 883, 1100, 1200 XL ENGINE CAM KITS**

	<b>STOCK</b>		<b>02/41</b> <b>41/02</b>	<b>223 270</b> <b>223 270</b>	<b>.458</b> <b>.458</b>	<b>.094</b> <b>.094</b>	Specifications are listed for reference and comparison. Note: 1985-87 exhaust cam lift is .414
<b>74-0482</b>	1986-1990	<b>V2</b>	<b>16/44</b>	<b>240 290</b>	<b>.465</b>	<b>.180</b>	Bolt in cams for stock 883, 1100 or 1200. More duration and lift means extra power thru RPM range. Stock springs & hydraulic lifters recommended. RPM range 2000-6000 <b>(SET-4)</b>
<b>74-0483</b>	1991-PRES	<b>N2</b>	<b>46/18</b>	<b>244 290</b>	<b>.440</b>	<b>.155</b>	
<b>74-0486</b>	1986-1990	<b>V4</b>	<b>30/46</b>	<b>256 296</b>	<b>.490</b>	<b>.216</b>	Street/Drags: Stock or modified 883/1100 or 1200. Slightly higher Idle speed but stock springs & hydraulic lifters are recommended. RPM range 2500-6500 <b>(SET-4)</b>
<b>74-0487</b>	1991-PRES	<b>N4</b>	<b>52/24</b>	<b>256 296</b>	<b>.490</b>	<b>.189</b>	
<b>74-0490</b>	1986-1990	<b>V6</b>	<b>34/50</b>	<b>264 302</b>	<b>.500</b>	<b>.241</b>	Modified 1200s to 80" and/or high compression pistons. Same intake as N8 but more exhaust duration. Stock springs and hydraulic lifters recommended. RPM range 2500-6500. <b>(SET-4)</b>
<b>74-0491</b>	1991-PRES	<b>N6</b>	<b>56/28</b>	<b>264 302</b>	<b>.500</b>	<b>.212</b>	
<b>74-0494</b>	1986-1990	<b>V8</b>	<b>32/44</b>	<b>256 298</b>	<b>.490</b>	<b>.226</b>	Modified 1100-1200 stroked 883's with stock springs and hydraulic lifters. Great mid-range power, 2000-6000 RPM. <b>(SET-4)</b>
<b>74-0495</b>	1991-PRES	<b>N8</b>	<b>56/28</b>	<b>264 302</b>	<b>.500</b>	<b>.212</b>	

# \*\*EASTERN MOTORCYCLE PARTS\*\*

## \*\*ANDREWS CAMS\*\*

### \*\*SPORTSTER 1957-1985\*\*

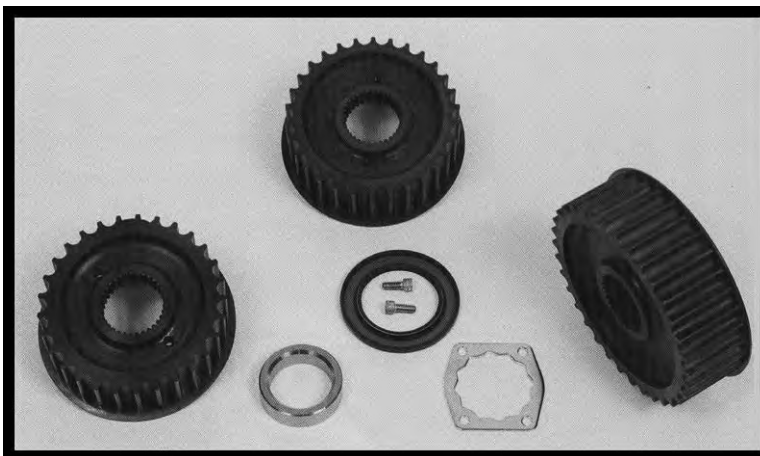
#### EASTERN

<u>NUMBER</u>	<u>YEAR</u>	<u>GRIND</u>	<u>TIMING</u>	<u>DURATION</u> @.053/@.020	<u>MAX</u> <u>LIFT</u>	<u>TDC</u> <u>LIFT</u>	<u>DESCRIPTION</u>
<b>TOURING AND HIGH PERFORMANCE CAMS</b>							
	<b>STOCK</b>	<b>Q</b>	<b>10/32</b> <b>35/07</b>	<b>222 262</b> <b>222 262</b>	<b>.400</b> <b>.380</b>	<b>.114</b> <b>.114</b>	Specifications for Q cams are listed for reference and comparison.
<b>74-0402</b>	1957-1970	<b>P</b>	<b>34/40</b>	<b>254 294</b>	<b>.400</b>	<b>.200</b>	<b>(Exhaust Only)</b> 4/1 Kit consists of exhaust cams only for use with Stock P intakes. Bolt in power for sportsters with no head work. <b>(SET-2)</b>
<b>74-0404</b>	1971-1980	<b>PB+4</b>	<b>43/31</b>	<b>254 298</b>	<b>.410</b>	<b>.192</b>	
<b>74-0406</b>	1981-1984						
<b>74-0408</b>	1984-1985	w/alt.					
<b>74-0412</b>	1957-1970	<b>PB+</b>	<b>34/40</b>	<b>254 298</b>	<b>.410</b>	<b>.208</b>	Fits Sportster with P or Q cams, bolt-in more power with great street grind. No head work needed, more power through RPM range with stock springs. To 7000 RPM. <b>(SET-4)</b>
<b>74-0414</b>	1971-1980		<b>43/31</b>	<b>254 298</b>	<b>.410</b>	<b>.208</b>	
<b>74-0416</b>	1981-1984						
<b>74-0418</b>	1984-1985	w/alt.					
<b>74-0422</b>	1957-1970	<b>Y</b>	<b>35/47</b>	<b>262 310</b>	<b>.425</b>	<b>.206</b>	Street 900/1000 Biggest cam available for no head work installation. Some 1982 engines may require spring spacing. Stock springs are OK. Great mid and upper end power. <b>(SET-4)</b>
<b>74-0424</b>	1971-1980		<b>53/29</b>	<b>262 310</b>	<b>.425</b>	<b>.182</b>	
<b>74-0426</b>	1981-1984						
<b>74-0428</b>	1984-1985	w/alt.					
<b>74-0432</b>	1957-1970	<b>R5</b>	<b>33/41</b>	<b>254 306</b>	<b>.445</b>	<b>.209</b>	Street/Drags, modified 900/1000 motors and small stokers. Big boost in torque over stock cams (2000/7500 RPM). Stock springs are OK, but head set up required. <b>(SET-4)</b>
<b>74-0434</b>	1971-1980		<b>43/31</b>	<b>254 308</b>	<b>.445</b>	<b>.200</b>	
<b>74-0436</b>	1981-1984						
<b>74-0438</b>	1984-1985	w/alt.					
<b>74-0442</b>	1957-1970	<b>X</b>	<b>35/55</b>	<b>270 314</b>	<b>.450</b>	<b>.210</b>	Street/Drags for stroker motors to 76". More mid range and upper power. Lower lift results easier installation in 1977 and later engines with extended pinion bearing housing. Stock springs recommended. <b>(SET-4)</b>
<b>74-0444</b>	1971-1980		<b>57/33</b>	<b>270 314</b>	<b>.450</b>	<b>.208</b>	
<b>74-0446</b>	1981-1984						
<b>74-0448</b>	1984-1985	w/alt.					
<b>74-0452</b>	1957-1970	<b>AX</b>	<b>29/57</b>	<b>266 310</b>	<b>.550</b>	<b>.197</b>	Street stroker cams for 72-90 inch motors with 8.5 compression or less. Broad torque range. Head setup and high lift valve springs needed. <b>(SET-4)</b>
<b>74-0454</b>	1971-1980		<b>57/29</b>	<b>266 310</b>	<b>.550</b>	<b>.197</b>	
<b>74-0456</b>	1981-1984						
<b>74-0458</b>	1984-1985	w/alt.					
<b>XR 1000 CAMS FOR STREET AND COMPETITION</b>							
<b>74-0472</b>	1983-1984	<b>XR1</b>	<b>46/58</b> <b>66/38</b>	<b>284 368</b> <b>284 368</b>	<b>.560</b> <b>.560</b>	<b>.280</b> <b>.240</b>	Competition or modified street for XR 1000 engines. For maximum high rpm power (8000+ RPM), these are the most proven cams available for the XR engine. Great stuff for the XR 1000 & 750. Stock springs recommended.
<b>74-0474</b>	1983-1984	<b>XR2</b>	<b>32/44</b> <b>52/24</b>	<b>256 298</b> <b>256 298</b>	<b>.486</b> <b>.486</b>	<b>.227</b> <b>.189</b>	Street grind for mild XR 1000 motors. More power through RPM range. Stock springs are recommended. <b>(SET-4)</b>

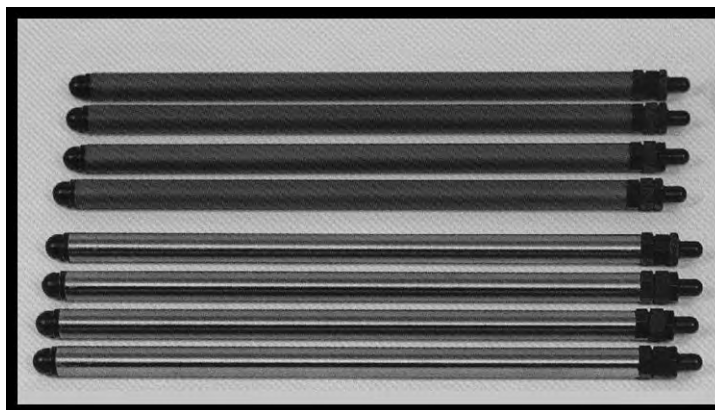
# **\*\*EASTERN MOTORCYCLE PARTS\*\***

## **\*\*ANDREWS PRODUCTS\*\***

### **\*\*BIG TWIN-SPORTSTER\*\***



<u>EASTERN NUMBER</u>	<u>REPLACES OEM</u>	<u>ANDREWS NUMBER</u>	<u>DESCRIPTION</u>
74-0150		290290 each	SPROCKET, BELT DRIVE, (29-TOOTH) BIG TWIN 1985-1993
74-0152		290294 each	SPROCKET, BELT DRIVE, (29-TOOTH) BIG TWIN 1994-PRESENT
74-0154		290340 each	SPROCKET, BELT DRIVE, (34-TOOTH) BIG TWIN 1985-1993
74-0156		290344 each	SPROCKET, BELT DRIVE, (34-TOOTH) BIG TWIN 1994-PRESENT
74-0160		290304 each	SPROCKET, BELT DRIVE, (30-TOOTH) BIG TWIN 1994-PRESENT
74-0162		290300 each	SPROCKET, BELT DRIVE, (30-TOOTH) BIG TWIN 1985-1993
40251-92	40251-92		LOCK PLATE, BIG TWIN 1992-2006, SPORTSTER 1992-PRESENT



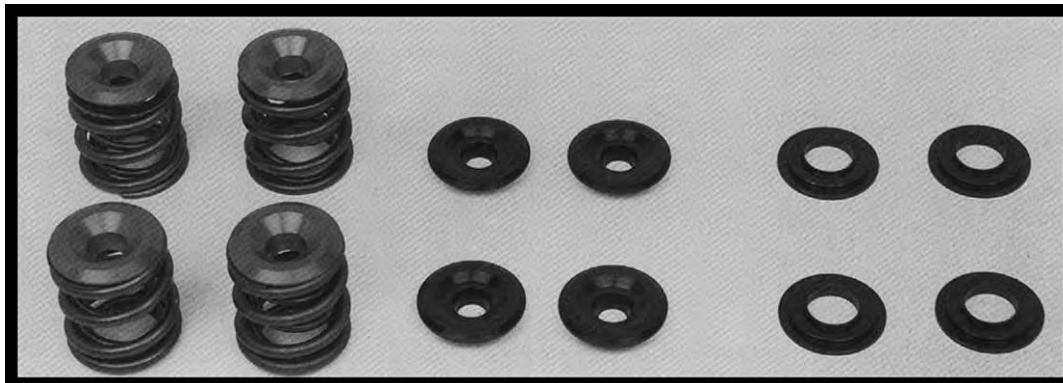
<u>EASTERN NUMBER</u>	<u>REPLACES OEM</u>	<u>ANDREWS NUMBER</u>	<u>DESCRIPTION</u>
74-0624		240055 set-4	PUSH RODS WITH ADJUSTERS, **ALUMINUM** BIG TWIN 1966-1984
74-0626		240030 set-4	PUSH RODS WITH ADJUSTERS, **MOLY** BIG TWIN 1966-1984
74-0630		292110 set-4	PUSH RODS WITH ADJUSTERS, **ALUMINUM** BIG TWIN 1984-1999
74-0632		292140 set-4	PUSH RODS WITH ADJUSTERS, **MOLY** BIG TWIN 1984-1999
74-0635		292020 set-4	PUSH RODS WITH ADJUSTERS, **ALUMINUM** SPORTSTER 1986-1990
74-0637		292090 set-4	PUSH RODS WITH ADJUSTERS, **MOLY** SPORTSTER 1986-1990
74-0639		292025 set-4	PUSH RODS, SOLID STYLE, **ALUMINUM** SPORTSTER 1991-PRES.
74-0641		292095 set-4	PUSH RODS, SOLID STYLE, **MOLY** SPORTSTER 1991-PRESENT
74-0645		240040 set-4	PUSH RODS, SOLID STYLE, **MOLY** SPORTSTER 1958-1985
74-0647		240060 set-4	PUSH RODS, SOLID STYLE, **ALUMINUM** SPORTSTER 1958-1985
74-0650		292188 set-4	PUSH RODS, SOLID STYLE, **ALUMINUM** (2-CAM) BIG TWIN 1999-PRESENT
74-0652		292088 set-4	PUSH RODS, SOLID STYLE, **MOLY** (2-CAM) BIG TWIN 1999-PRESENT



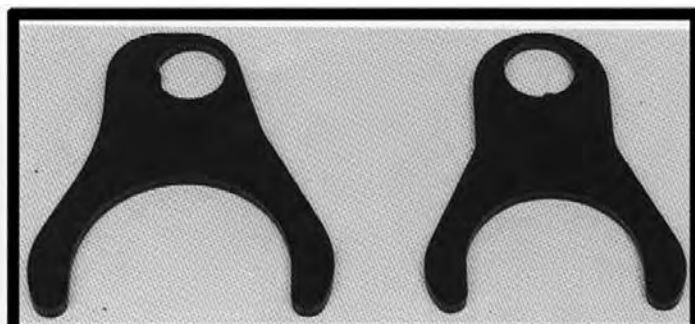
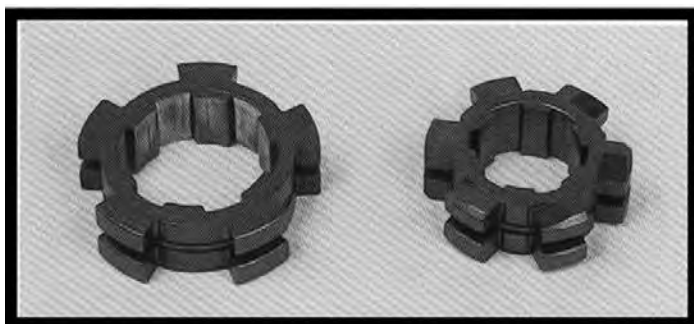
# **\*\*EASTERN MOTORCYCLE PARTS\*\***

## **\*\*ANDREWS PRODUCTS\*\***

### **\*\*BIG TWIN-SPORTSTER\*\***



<u>EASTERN NUMBER</u>	<u>REPLACES OEM</u>	<u>ANDREWS NUMBER</u>	<u>DESCRIPTION</u>
74-0664		293115 set-4	COLLARS, UPPER <b>**STEEL**</b> BIG TWIN 1984-PRESENT
74-0666		271100 set-4	COLLARS, TOP, <b>**HI LIFT**</b> BIG TWIN 1948-1984
74-0668		276150 set-4	COLLARS, TOP, <b>**MID LIFT**</b> BIG TWIN 1948-1984
74-0670		273120 set-4	COLLARS, LOWER, <b>**LOW PROFILE**</b> BIG TWIN 1980-1984
74-0674		277160 set-4	COLLARS, LOWER, <b>**LOW PROFILE**</b> SPORTSTER 1958-1985
74-0680		294150 set-8	SPRINGS, <b>**HIGH LIFT CAMS .550+**</b> BIG TWIN 1984-PRESENT
74-0684		272110 set-8	SPRINGS, <b>**HIGH LIFT CAMS**</b> BIG TWIN 1948-1984



<u>EASTERN NUMBER</u>	<u>REPLACES OEM</u>	<u>ANDREWS NUMBER</u>	<u>DESCRIPTION</u>
74-0735	34159-36	209750 each	SHIFTER FORK, 1ST & 2ND, COUNTERSHAFT, BIG TWIN 1936-1984
74-0737	34158-36	209760 each	SHIFTER FORK, 3RD & 4TH, MAINSHAFT, BIG TWIN 1936-1984
74-0768	35440-38	205340 each	SHIFTER CLUTCH, 3RD & 4TH GEAR, BIG TWIN 1937-1985
74-0775	35665-36	205120 each	SHIFTER CLUTCH, 1ST & 2ND GEAR, BIG TWIN 1937-1985

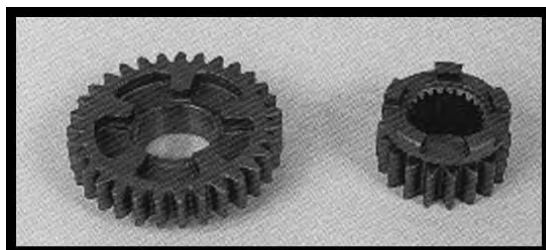
# **\*\*EASTERN MOTORCYCLE PARTS\*\***

## **\*\*ANDREWS PRODUCTS\*\***

### **\*\*TRANSMISSION GEARS\*\***

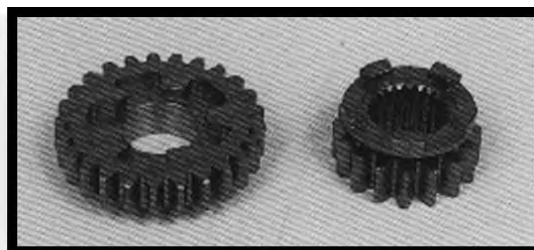
#### **\*\*5-SPEED\*\***

#### **\*\*BIG TWIN 1980-PRESENT\*\***

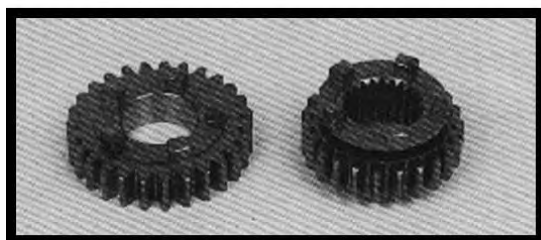


74-0932

74-0934

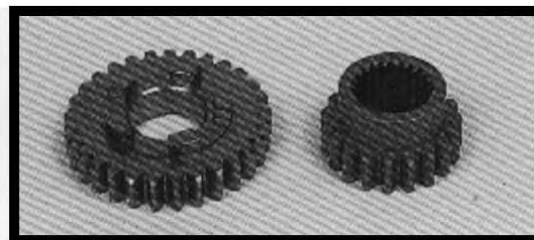


74-0930



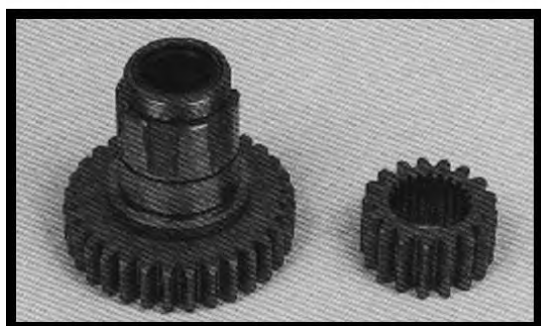
74-0940

74-0936



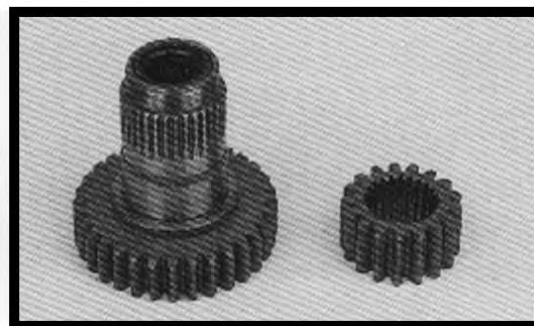
74-0950

74-0945



74-0954

74-0947



74-0957  
74-0959

74-0947

<u>EASTERN NUMBER</u>	<u>REPLACES OEM</u>	<u>ANDREWS NUMBER</u>	<u>DESCRIPTION</u>
74-0934	35025-79B	296125 each	GEAR, 1ST, MAINSHAFT, **18-TOOTH** BIG TWIN 1980-2006
74-0936	35026-79C	296220 each	GEAR, 2ND, M/SHAFT OR 3RD COUNTERSHAFT, BIG TWIN 1980-PRES.
74-0940	35027-79B	296330 each	GEAR, 3RD, M/SHAFT OR 2ND COUNTERSHAFT, BIG TWIN 1980-PRES.
74-0950	35028-79B	296445 each	GEAR, 4TH, MAINSHAFT, BIG TWIN 1980-1995
74-0954	35029-79A	296550 each	GEAR, 5TH, MAIN DRIVE, **CHAIN DRIVE** BIG TWIN 1980-1984
74-0957	35029-85A	296585 each	GEAR, 5TH, MAIN DRIVE, **BELT DRIVE** BIG TWIN 1985-1990
74-0959	35029-91A	296591 each	GEAR, 5TH, MAIN DRIVE, **BELT DRIVE** BIG TWIN 1991-2006
74-0945	35625-79B	296440 each	GEAR, 4TH, COUNTERSHAFT, BIG TWIN 1980-1995
74-0947	35626-79B	296555 each	GEAR, 5TH, COUNTERSHAFT DRIVE, BIG TWIN 1980-1995
74-0932	36622-79A	296120 each	GEAR, 1ST, COUNTERSHAFT, **31-TOOTH** BIG TWIN 1980-2006
74-0930		296110 set-2	GEAR SET, 1ST GEAR, CLOSE RATIO 2.94, BIG TWIN 1980-PRESENT

# **\*\*EASTERN MOTORCYCLE PARTS\*\***

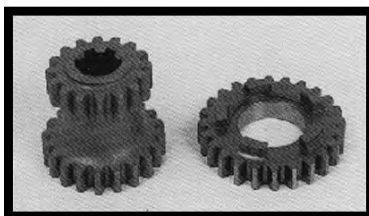
## **\*\*ANDREWS PRODUCTS\*\***

### **\*\*TRANSMISSION GEARS\*\***

#### **\*\*BIG TWIN 1937-1985\*\***



74-0705



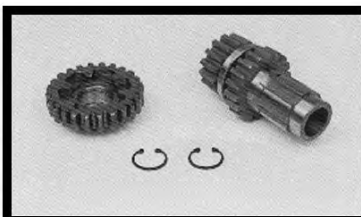
74-0709



74-0716



74-0765

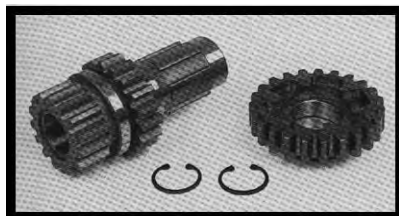


74-0762

74-0760

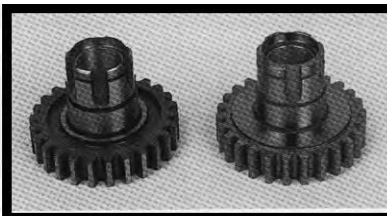
74-0728

74-0730



74-0720

74-0722



74-0755

74-0758

<u>EASTERN NUMBER</u>	<u>REPLACES OEM</u>	<u>ANDREWS NUMBER</u>	<u>DESCRIPTION</u>
74-0755	35065-65	204260 each	MAIN DRIVE GEAR, **4-SPEED** BIG TWIN 1937-1976
74-0758	35067-77	204280 each	MAIN DRIVE GEAR, **4-SPEED** BIG TWIN 1977-1985
74-0760	35306-36	206215 each	3RD GEAR, STOCK RATIO 1.23, **4-SPEED** BIG TWIN 1936-1958
74-0762	35306-59	206220 each	3RD GEAR, STOCK RATIO 1.23, **4-SPEED** BIG TWIN 1959-1985
74-0728	35700-36	206330 each	GEAR, COUNTERSHAFT CLUSTER, (15X17T) BIG TWIN 1936-E/1976
74-0730	35700-76	206335 each	GEAR, COUNTERSHAFT CLUSTER, (15X17T) BIG TWIN L/1976-1985
74-0765	35751-36	202160 each	2ND GEAR, STOCK RATIO 1.82, **21-TOOTH** BIG TWIN 1937-1985
74-0705		201105 set-2	GEAR SET, 1ST GEAR, CLOSE RATIO 2.44, BIG TWIN 1937-1985
74-0709		201145 set-2	GEAR SET, 1ST GEAR, CLOSE RATIO 2.60, BIG TWIN 1937-1985
74-0711		201090 set-2	GEAR SET, 1ST GEAR, STOCK RATIO 3.00, BIG TWIN 1959-1984
74-0713		201094 set-2	GEAR SET, 1ST GEAR, STOCK RATIO 3.00, BIG TWIN 1936-1958
74-0716		201020 set-3	GEAR SET, 1ST & 2ND GEAR, CLOSE RATIO, BIG TWIN 1937-1985
74-0720		203365 set-2	GEAR SET, 3RD GEAR, CLOSE RATIO 1.35, BIG TWIN 1937-1976
74-0722		203375 set-2	GEAR SET, 3RD GEAR, CLOSE RATIO 1.35, BIG TWIN 1977-1985

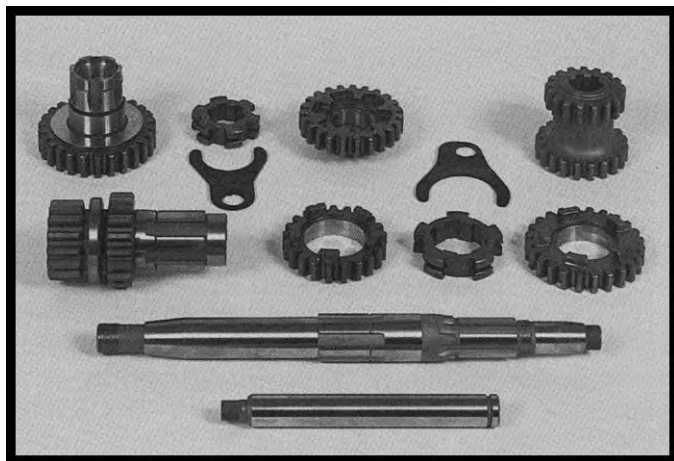


# **\*\*EASTERN MOTORCYCLE PARTS\*\***

## **\*\*ANDREWS PRODUCTS\*\***

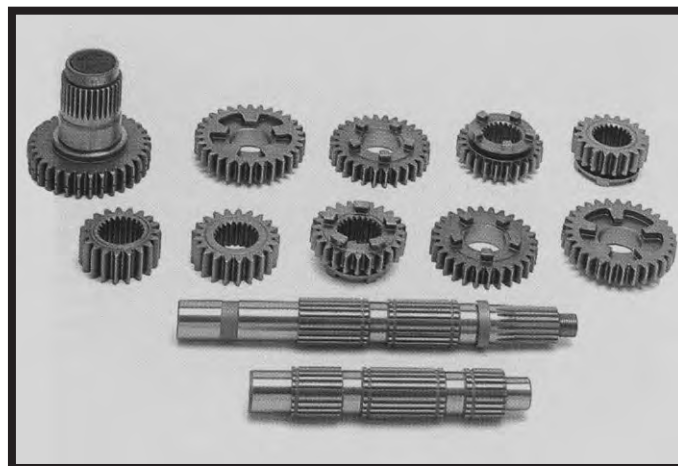
### **\*\*TRANSMISSION GEAR SETS\*\***

#### **\*\*BIG TWIN-SPORTSTER\*\***



**\*\*BIG TWIN 4 & 5-SPEED\*\***

**\*\*NOTE: THESE SETS DO NOT INCLUDE\*\*  
\*\*MAINSHAFT OR COUNTERSHAFT\*\***



**\*\*SPORTSTER 5-SPEED\*\***

**\*\*SET INCLUDES EVERYTHING PICTURED\*\***

<u>EASTERN NUMBER</u>	<u>REPLACES OEM</u>	<u>ANDREWS NUMBER</u>	<u>DESCRIPTION</u>
<b>**TRANSMISSION GEAR SETS**</b>			
74-0782		210150 set-10	GEAR SET, (COMPLETE) <b>**WITHOUT SHAFTS**</b> (2.44 1ST-1.35 3RD) BIG TWIN 1936-1976
74-0784		210250 set-10	GEAR SET, (COMPLETE) <b>**WITHOUT SHAFTS**</b> (2.44 1ST-1.23 3RD) BIG TWIN 1936-1976
74-0786		210350 set-10	GEAR SET, (COMPLETE) <b>**WITHOUT SHAFTS**</b> (2.60 1ST-1.35 3RD) BIG TWIN 1936-1976
74-0788		210450 set-10	GEAR SET, (COMPLETE) <b>**WITHOUT SHAFTS**</b> (2.60 1ST-1.23 3RD) BIG TWIN 1936-1976
74-0792		210550 set-10	GEAR SET, (COMPLETE) <b>**WITHOUT SHAFTS**</b> (2.44 1ST-1.35 3RD) BIG TWIN 1977-1985
74-0794		210650 set-10	GEAR SET, (COMPLETE) <b>**WITHOUT SHAFTS**</b> (2.44 1ST-1.23 3RD) BIG TWIN 1977-1985
74-0796		210750 set-10	GEAR SET, (COMPLETE) <b>**WITHOUT SHAFTS**</b> (2.60 1ST-1.35 3RD) BIG TWIN 1977-1985
74-0798		210850 set-10	GEAR SET, (COMPLETE) <b>**WITHOUT SHAFTS**</b> (2.60 1ST-1.23 3RD) BIG TWIN 1977-1985
74-1110		296081 set-10	GEAR SET, (COMPLETE) <b>**WITHOUT SHAFTS**</b> (2.94) <b>**CHAIN DRIVE**</b> BIG TWIN 1981-1984
74-1112		296082 set-10	GEAR SET, (COMPLETE) <b>**WITHOUT SHAFTS**</b> (3.24) <b>**CHAIN DRIVE**</b> BIG TWIN 1981-1984
74-1116		296085 set-10	GEAR SET, (COMPLETE) <b>**WITHOUT SHAFTS**</b> (2.94) <b>**BELT DRIVE**</b> BIG TWIN 1985-1989
74-1118		296086 set-10	GEAR SET, (COMPLETE) <b>**WITHOUT SHAFTS**</b> (3.24) <b>**BELT DRIVE**</b> BIG TWIN 1984-1989
74-1122		296090 set-10	GEAR SET, (COMPLETE) <b>**WITHOUT SHAFTS**</b> (2.94) <b>**BELT DRIVE**</b> BIG TWIN 1990-ONLY

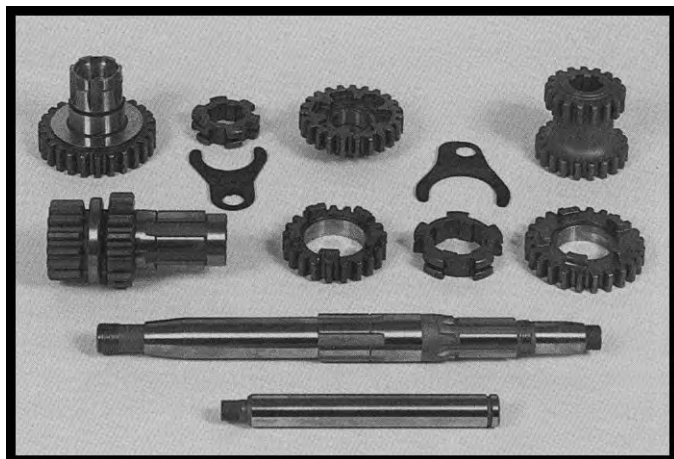
# **\*\*EASTERN MOTORCYCLE PARTS\*\***

## **\*\*ANDREWS PRODUCTS\*\***

### **\*\*TRANSMISSION GEAR SETS\*\***

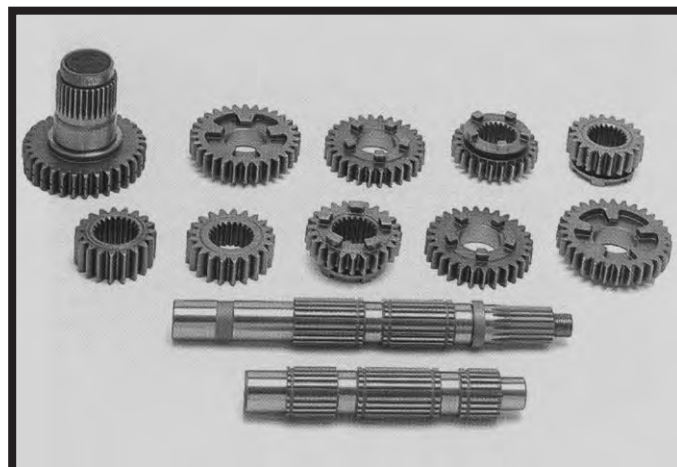
#### **\*\*BIG TWIN-SPORTSTER\*\***

#### **\*\*5-SPEED\*\***



**\*\*BIG TWIN 5-SPEED\*\***

**\*\*NOTE: THESE SETS DO NOT INCLUDE\*\***  
**\*\*MAINSHAFT OR COUNTERSHAFT\*\***



**\*\*SPORTSTER 5-SPEED\*\***

**\*\*SET INCLUDES EVERYTHING PICTURED\*\***

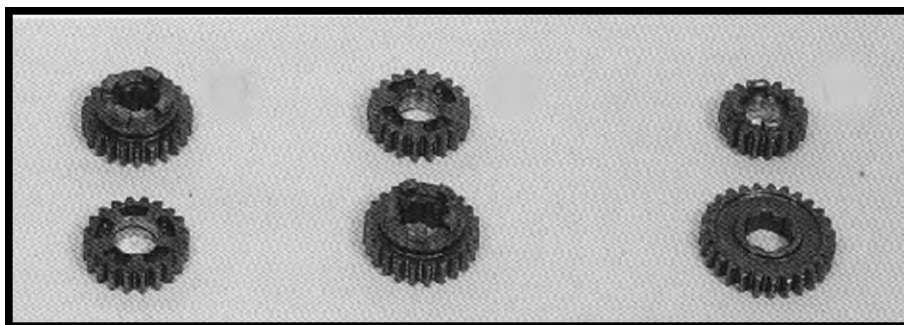
<u>EASTERN NUMBER</u>	<u>REPLACES OEM</u>	<u>ANDREWS NUMBER</u>	<u>DESCRIPTION</u>
<b>**TRANSMISSION GEAR SETS**</b>			
74-1124		296092 set-10	GEAR SET, (COMPLETE) <b>**WITHOUT SHAFTS**</b> (3.24) <b>**BELT DRIVE**</b> BIG TWIN 1990-ONLY
74-1128		296091 set-10	GEAR SET, (COMPLETE) <b>**WITHOUT SHAFTS**</b> (2.94) <b>**BELT DRIVE**</b> BIG TWIN 1991-PRESENT
74-1130		296093 set-10	GEAR SET, (COMPLETE) <b>**WITHOUT SHAFTS**</b> (3.24) <b>**BELT DRIVE**</b> BIG TWIN 1991-PRESENT
74-0580		250100 set-8	GEAR SET, (COMPLETE) <b>**WITHOUT SHAFTS**</b> (W- 1ST, STOCK 4TH) SPORTSTER 1973-1978
74-0582		250101 set-8	GEAR SET, (COMPLETE) <b>**WITHOUT SHAFTS**</b> (W- 1ST, STOCK 4TH) SPORTSTER 1979-1984
74-0584		250200 set-8	GEAR SET, (COMPLETE) <b>**WITHOUT SHAFTS**</b> (W- 1ST, C- 4TH) SPORTSTER 1973-1978
74-0586		250201 set-8	GEAR SET, (COMPLETE) <b>**WITHOUT SHAFTS**</b> (W- 1ST, C- 4TH) SPORTSTER 1979-1984
74-0588		250202 set-8	GEAR SET, (COMPLETE) <b>**WITHOUT SHAFTS**</b> (W- 1ST, C- 4TH) SPORTSTER 1984-1990
74-0590		250300 set-8	GEAR SET, (COMPLETE) <b>**WITHOUT SHAFTS**</b> (STOCK- 1ST, STK 4TH) SPORTSTER 1973-1978
74-0592		250301 set-8	GEAR SET, (COMPLETE) <b>**WITHOUT SHAFTS**</b> (STOCK- 1ST, STK 4TH) SPORTSTER 1979-1984
74-0594		250400 set-8	GEAR SET, (COMPLETE) <b>**WITHOUT SHAFTS**</b> (STOCK- 1ST, C- 4TH) SPORTSTER 1973-1978
74-0596		250401 set-8	GEAR SET, (COMPLETE) <b>**WITHOUT SHAFTS**</b> (STOCK- 1ST, C- 4TH) SPORTSTER 1979-1984
74-0570		299900 set-12	GEAR SET, (COMPLETE) <b>**5-SPEED**</b> SPORTSTER 1991-PRESENT SET INCLUDES: 1ST, 2ND, 3RD, 4TH, 5TH GEARS, MAINSHAFT & COUNTERSHAFT

# **\*\*EASTERN MOTORCYCLE PARTS\*\***

## **\*\*ANDREWS PRODUCTS\*\***

### **\*\*TRANSMISSION GEARS\*\***

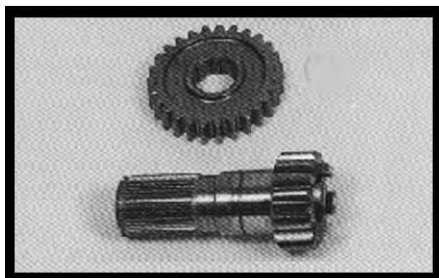
#### **\*\*SPORTSTER 1956-PRESENT\*\***



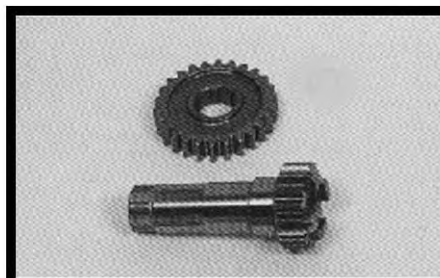
74-0870  
74-0880

74-0865  
74-0885

74-0860  
74-0856



74-0812



74-0808  
74-0810

<u>EASTERN NUMBER</u>	<u>REPLACES OEM</u>	<u>ANDREWS NUMBER</u>	<u>DESCRIPTION</u>
74-0860	35277-52A	251050 each	GEAR, 1ST, MAINSHAFT, **27-TOOTH** SPORTSTER 1956-1985
74-0865	35296-56	252020 each	GEAR, 2ND, MAINSHAFT, **23-TOOTH** SPORTSTER 1956-1985
74-0870	35305-56A	253050 each	GEAR, 3RD, MAINSHAFT, **20-TOOTH** SPORTSTER 1956-1985
74-0890	35695-58	255580 each	GEAR, COUNTERSHAFT, **27-TOOTH** SPORTSTER 1956-1985
74-0880	35709-54B	253030 each	GEAR, 3RD, COUNTERSHAFT, **23-TOOTH** SPORTSTER 1956-1990
74-0885	35750-58	252040 each	GEAR, 2ND, COUNTERSHAFT, **20-TOOTH** SPORTSTER 1956-1990
74-0856	35760-73	259010 each	GEAR, 1ST, COUNTERSHAFT, **17-TOOTH** SPORTSTER 1973-1985
74-0910	37448-71	254710 each	CLUTCH GEAR, **17-TOOTH** SPORTSTER 1971-1978
74-0912	37448-79	254730 each	CLUTCH GEAR, **17-TOOTH** SPORTSTER 1979-MID/1984
74-0802		251010 set-2	GEAR SET, 1ST GEAR, 2.68 TO 1 RATIO, SPORTSTER 1973-1985
74-0808		254720 set-2	GEAR SET, MAIN DRIVE, C-RATIO, 18 & 26 TOOTH, SPORT. 1971-1978
74-0810		254740 set-2	GEAR SET, MAIN DRIVE, C-RATIO, 18 & 26 TOOTH, SPORT. 1979-MID/1984
74-0812		254850 set-2	GEAR SET, MAIN DRIVE, C-RATIO, 18 & 26 TOOTH, SPORT. MID/1984-PRES
74-0820		255620 each	GEAR, COUNTERSHAFT, C-RATIO, 26 TOOTH, SPORTSTER 1957-1984
74-0832		251010 set-2	GEAR SET, 1ST GEAR, WIDE RATIO, SPORTSTER 1973-PRESENT



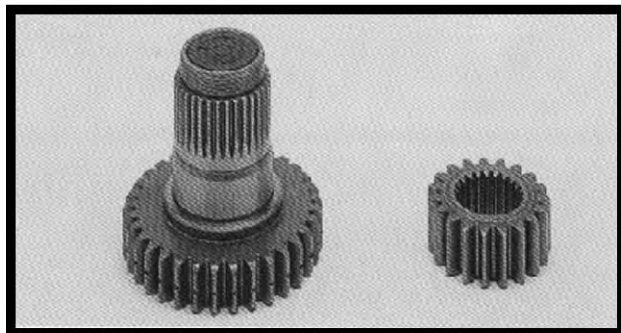
# **\*\*EASTERN MOTORCYCLE PARTS\*\***

## **\*\*ANDREWS PRODUCTS\*\***

### **\*\*TRANSMISSION GEARS\*\***

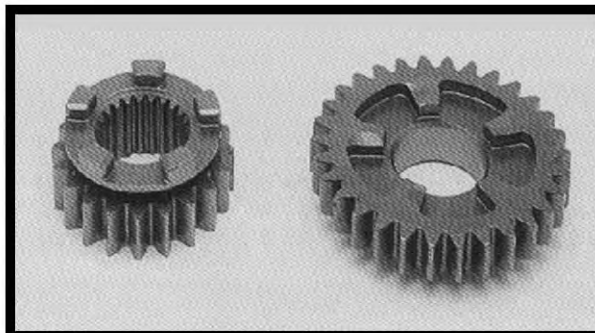
#### **\*\*5-SPEED\*\***

#### **\*\*SPORTSTER 1991-1995\*\***

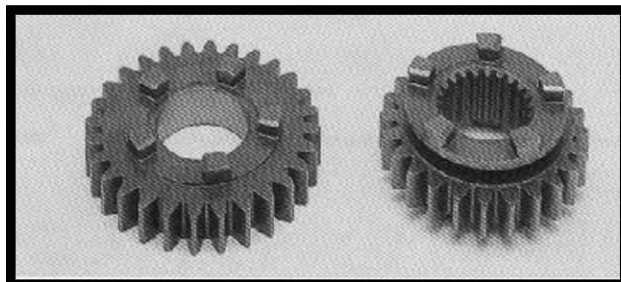


74-0550

74-0555

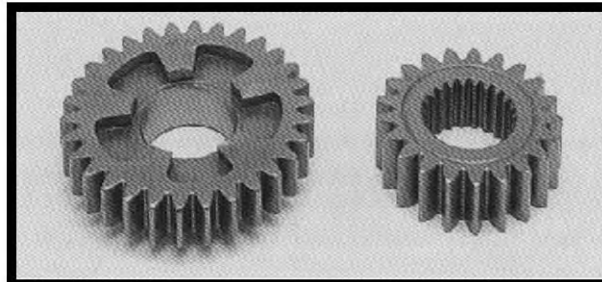


74-0515



74-0520

74-0525



74-0535

74-0540

<u>EASTERN NUMBER</u>	<u>REPLACES OEM</u>	<u>ANDREWS NUMBER</u>	<u>DESCRIPTION</u>
74-0550	35043-89A	299105 each	GEAR, 5TH, MAINSHAFT BELT DRIVE, SPORTSTER 1991-1995
74-0555	35633-89A	299155 each	GEAR, 5TH, COUNTERSHAFT, SPORTSTER 1991-1995
74-0515		299110 set-2	GEAR SET, 1ST GEAR, CLOSE RATIO 2.61, SPORTSTER 1991-1995
74-0520	35771-89A	299102 each	GEAR, 2ND, MAINSHAFT OR 3RD C/SHAFT, SPORTSTER 1991-1995
74-0525	35772-89A	299103 each	GEAR, 3RD, MAINSHAFT OR 2ND C/SHAFT, SPORTSTER 1991-1995
74-0535	35773-89A	299104 each	GEAR, 4TH, MAINSHAFT, SPORTSTER 1991-1995
74-0540	35775-89A	299144 each	GEAR, 4TH, COUNTERSHAFT, SPORTSTER 1991-1995

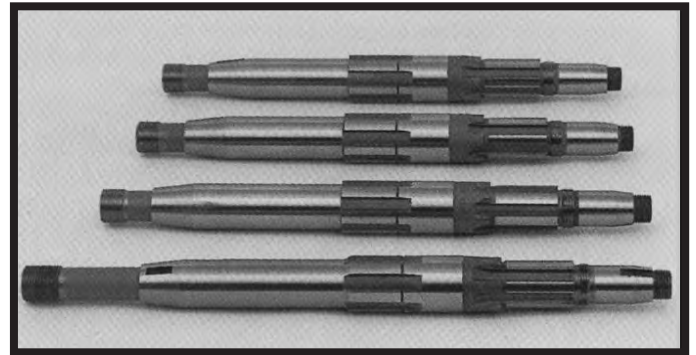
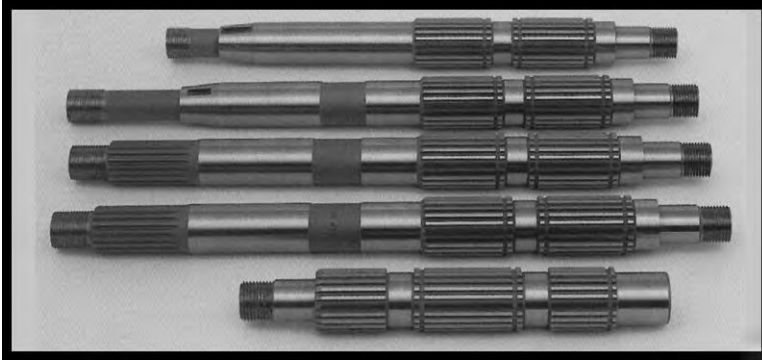
# **\*\*EASTERN MOTORCYCLE PARTS\*\***

## **\*\*ANDREWS PRODUCTS\*\***

### **\*\*MAINSHAFTS AND COUNTERSHAFTS\*\***

#### **\*\*4 AND 5 SPEED\*\***

#### **\*\*BIG TWIN-SPORTSTER\*\***



<u>EASTERN NUMBER</u>	<u>REPLACES OEM</u>	<u>ANDREWS NUMBER</u>	<u>DESCRIPTION</u>
74-0852	35036-84A	258190	each MAINSHAFT, **TRANSMISSION** SPORTSTER L/1984-1990
74-0748	35039-65	208650	each MAINSHAFT, **4-SPEED** BIG TWIN 1965-1969
74-0750	35039-70	208700	each MAINSHAFT, **4-SPEED** BIG TWIN 1970-1984
74-0752	35039-85	208800	each MAINSHAFT, **4-SPEED** BIG TWIN 1985-1986
74-0745	35040-50	208500	each MAINSHAFT, **4-SPEED** BIG TWIN 1937-1964
74-0990	35042-79	296800	each MAINSHAFT, **CHAIN DRIVE** BIG TWIN 1980-1984
74-0992	35042-85	296850	each MAINSHAFT, **BELT DRIVE** BIG TWIN 1985-1989
74-0994	35042-90	296900	each MAINSHAFT, **BELT DRIVE** BIG TWIN 1990-ONLY
74-0996	35042-91	296910	each MAINSHAFT, **BELT DRIVE** BIG TWIN 1991-2006
74-0845	35044-56	258080	each MAINSHAFT, **KICK START** SPORTSTER 1956-1967
74-0850	35046-71	258120	each MAINSHAFT, **TRANSMISSION** SPORTSTER 1971-MID/1984
74-0875	35613-58	259010	each COUNTERSHAFT, **TRANSMISSION** SPORTSTER 1958-E/1984
74-0975	35632-79	296700	each COUNTERSHAFT, **5-SPEED** BIG TWIN 1980-2006
74-0565	35640-89	299180	each MAINSHAFT, **5-SPEED** SPORTSTER 1991-PRESENT
74-0560	35641-89	299170	each COUNTERSHAFT, **5-SPEED** SPORTSTER 1991-PRESENT

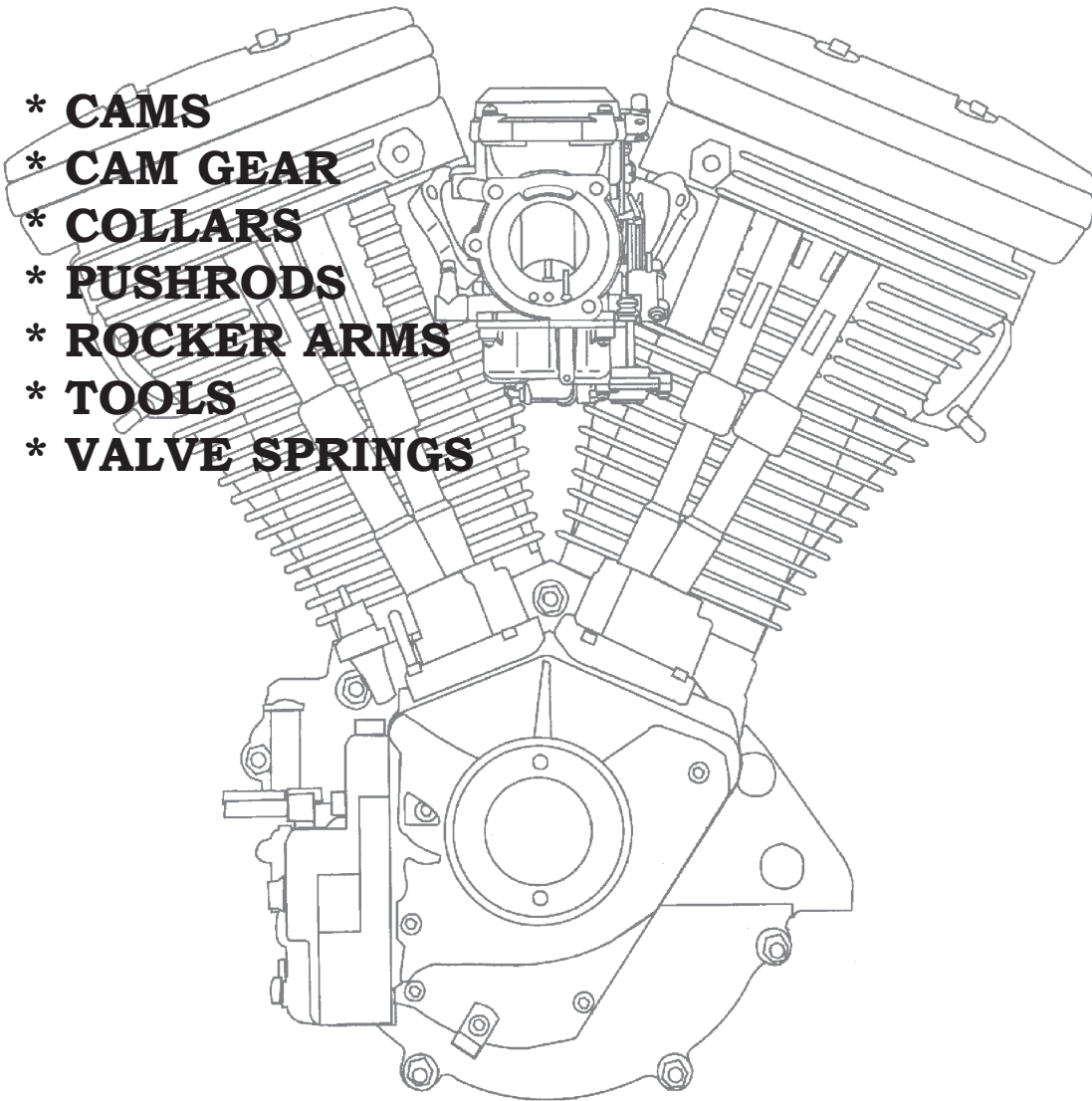
### **\*\*MAINSHAFTS & COUNTERSHAFTS MANUFACTURED BY EASTERN\*\***

<u>EASTERN NUMBER</u>	<u>REPLACES OEM</u>	<u>DESCRIPTION</u>
A-35039-65	35039-65	MAINSHAFT, CHAIN DRIVE **4-SPEED** BIG TWIN 1965-1969
A-35039-70B	35039-70B	MAINSHAFT, CHAIN DRIVE **4-SPEED** BIG TWIN 1970-1984
A-35039-85	35039-85	MAINSHAFT, BELT DRIVE **4-SPEED** BIG TWIN L/1984-1986
A-35040-50	35040-50	MAINSHAFT, **4-SPEED** BIG TWIN 1937-1964
A-35042-79	35042-79	MAINSHAFT, CHAIN DRIVE **5-SPEED** BIG TWIN 1980-1984
A-35042-85	35042-85	MAINSHAFT, BELT DRIVE **5-SPEED** BIG TWIN 1985-1989
A-35042-90	35042-90	MAINSHAFT, BELT DRIVE **5-SPEED** BIG TWIN 1990-ONLY
A-35042-91	35042-91	MAINSHAFT, **5-SPEED** BIG TWIN 1991-PRESENT
A-35043-41	35043-41	MAINSHAFT, **45" TRANSMISSION** FORTY-FIVE 1941-1973
A-35044-56	* 35044-56	MAINSHAFT, **4-SPEED** SPORTSTER 1956-1969 <b>**EASTERNS**</b>
A-35046-67	* 35046-67	MAINSHAFT, **4-SPEED** SPORTSTER 1967-1970 <b>**EASTERNS**</b>
A-35613-58	35613-58	COUNTERSHAFT, **4-SPEED** SPORTSTER 1958-E/1984
A-35613-84	35613-84	COUNTERSHAFT, (OLD STYLE) **4-SPEED** SPORTSTER L/1984-1990
A-35613-91	35613-91	COUNTERSHAFT, (NEW STYLE) **4-SPEED** SPORTSTER L/1984-1990
A-35613-KIT	35613-91	COUNTERSHAFT, WITH SPACERS (NEW STYLE) **4-SPEED** SPORTSTER L/1984-1990
A-35632-79	35632-79	COUNTERSHAFT, **5-SPEED** BIG TWIN 1980-PRESENT
A-35640-89	35640-89	MAINSHAFT, **5-SPEED** BIG TWIN 1991-PRESENT
A-35641-89	35641-89	COUNTERSHAFT, **5-SPEED** BIG TWIN 1991-PRESENT



**\*\*CRANE\*\***  
**\*\*PRODUCTS\*\***

- \* CAMS
- \* CAM GEAR
- \* COLLARS
- \* PUSHRODS
- \* ROCKER ARMS
- \* TOOLS
- \* VALVE SPRINGS



# **\*\*EASTERN MOTORCYCLE PARTS\*\***

## **\*\*CRANE CAMS\*\***

### **\*\*BIG TWIN 1948-1984\*\***

#### **\*\*PANHEAD & SHOVELHEAD\*\***

<b>EASTERN NUMBER</b>	<b>YEAR</b>	<b>GRIND</b>	<b>VALVE LIFT</b>		<b>DURATION @.053</b>		<b>DESCRIPTION</b>
			<b>INT.</b>	<b>EXH.</b>	<b>INT.</b>	<b>EXH.</b>	
75-0124	1970-1977	H288	.440	.440	22/42	42/22	<b>Hydraulic/Hi Roller:</b> Bolt in performance throughout the power range. Also recommended for increased torque in heavy bikes with heavy loads. No spring change, works well with stock carburetor and exhaust.
75-0126	1970-1977	288B	.450	.450	24/48	48/24	<b>Mechanical/Hi Roller:</b> Bolt in mild performance. Use stock springs, carburetor and exhaust. Increased mid range and top end horsepower. No increase in compression ratio required.
75-0128	1970-1977	298B	.450	.450	29/53	53/29	<b>Mechanical/Hi Roller:</b> Mild performance. Works well with high performance carb. and exhaust system. Can use stock springs, but check valve-to-valve clearance. Additional increase in mid range and top horsepower.
75-0113	1948-1969	320B	.550	.550	276	276	<b>Mechanical/Hi Roller:</b> Street and drag cam for high performance engines. Increased cubic inches required for best results. Head work required for valve clearance.
75-0129	1970-1977				36/60	64/32	
75-0145	1978-1984						
75-0114	1948-1969	310B	.525	.525	31/55	55/31	<b>Mechanical/Hi Roller:</b> High performance street and drags. Increased compression ratio and/or cubic inches required. Must change valve springs and check spring travel, piston-to-valve, and valve-to-valve clearances.
75-0115	1948-1969	330B	.575	.575	286	286	<b>Mechanical/Hi Roller:</b> Drag cam for large cubic engines. Head work required for proper spring travel, piston-to-valve, and valve-to-valve clearances, also to insure maximum performance.
75-0131	1970-1977				41/65	73/33	
75-0147	1978-1984						

**\*\*SEE PAGE 476 FOR CROSS REFERENCE NUMBERS\*\***  
**\*\*FROM CRANE TO EASTERN\*\***

# **\*\*EASTERN MOTORCYCLE PARTS\*\***

## **\*\*CRANE CAMS\*\***

### **\*\*BIG TWIN 1948-1984\*\***

### **\*\*PANHEAD & SHOVELHEAD\*\***

<u>EASTERN NUMBER</u>	<u>YEAR</u>	<u>GRIND</u>	<u>VALVE LIFT</u>		<u>DURATION</u>		<u>DESCRIPTION</u>
			INT.	EXH.	@.053		
			INT.	EXH.	INT.	EXH.	
75-0116	1948-1969				268	268	<b>Mechanical/Hi Roller:</b> Streetable high performance. Increased compression ratio and / or cubic inches required. Must change valve springs and check spring travel, piston-to-valve, and valve-to-valve clearances
75-0132	1970-1977	304B	.485	.485	32/56	56/32	
75-0148	1978-1984						
75-0133	1970-1977	296A	.479	.479	20/44	44/20	<b>Mechanical/Fireball:</b> Bolt in performance throughout the power range. Also recommended for increased torque in heavy bikes with heavy loads. No spring change required. Works well with stock carb. and exhaust. Does not have Cranes multi index gear.
75-0149	1978-1984		.455	.455			
75-0118	1948-1969				256	256	<b>Mechanical/Fireball:</b> Mild performance. Works well with high performance carb. and exhaust system. Can use stock springs with no head work necessary. Additional increase in mid range and top end horsepower. Does not have Cranes multi index gear.
75-0134	1970-1977	308B	.490	.490	26/50	50/26	
75-0150	1978-1984		.516	.516			
75-0183	1978-1984	300H	.455	.455	26/42	46/22	<b>Hydraulic/Fireball:</b> A unique composite design to allow both hydraulic and mechanical applications. Broad power range for streetable performance. Does not have Cranes multi-index gear.

# **\*\*EASTERN MOTORCYCLE PARTS\*\***

## **\*\*CRANE CAMS\*\***

### **\*\*BIG TWIN 1984-1999\*\***

#### **\*\*EVOLUTION\*\***

<u>EASTERN NUMBER</u>	<u>YEAR</u>	<u>GRIND</u>	<u>VALVE LIFT</u>		<u>DURATION</u> @.053		<u>DESCRIPTION</u>
			INT.	EXH.	INT.	EXH.	
75-0160	1984-1991	H286-2	.490	.490	242 19/43	252 48/24	<b>Hydraulic/Hi Roller:</b> Bolt in performance for your V-2 engine. Works better with high performance carb. and exhaust. Noticeable difference throughout RPM range. Excellent for speed or touring. Valve to piston clearances must be checked in some early Evolution engines without notched pistons.
75-0163	1984-1991	H296-2	.490	.500	252 24/48	262 57/25	<b>Hydraulic/Hi Roller:</b> Performance cam works well to increase performance in mid and upper RPM range. Valve to piston clearances must be checked in some early Evolution engines without notched pistons.
75-0185	1984-1999	300-2	.490	.490	226 12/34	236 41/15	<b>Hydraulic/Fireball:</b> Bolt in cam design for broad power range, starting from low rpm. The power range is where you need it for street type performance. Equivalent to EV13. Does not have Cranes multi index gear. Valve to piston must be checked in some early Evolution engines.

# **\*\*EASTERN MOTORCYCLE PARTS\*\***

## **\*\*CRANE CAMS\*\***

### **\*\*BIG TWIN 1984-1999\*\***

#### **\*\*EVOLUTION\*\***

<u>EASTERN NUMBER</u>	<u>YEAR</u>	<u>GRIND</u>	<u>VALVE LIFT</u>		<u>DURATION</u> @.053		<u>DESCRIPTION</u>
			INT.	EXH.	INT.	EXH.	
75-0187	1984-1999	316-2	.490	.490	242 19/43	252 48/24	<b>Hydraulic/Fireball:</b> Bolt in performance, works better with high performance carb. and exhaust. Noticeable difference throughout rpm range. Excellent for speed or touring. Equivalent to EV35. Valve to piston clearance must be checked in some early Evolution engines without notched pistons. Does not have Cranes multi index gear.
75-0189	1984-1999	326-2	.490	.500	252 24/48	262 57/25	<b>Hydraulic/Fireball:</b> Performance cam works well to increase performance in mid and upper rpm range. Equivalent to EV5. Valve to piston clearance must be checked in some early Evolution engines without notched pistons. Does not have Cranes multi index gear.
75-0191	1984-1999	310-2	.490	.490	236 16/40	242 43/19	<b>Hydraulic/Fireball:</b> Bolt in cam for street performance with stock carburetor. Also works well with performance carb and exhaust systems. Equivalent to EV3. Cam lift at TDC: INT: .100 EXH: .106. Valve to piston must be checked in some early Evolution engines.

## **\*\*2-CAM\*\***

### **\*\*BIG TWIN 2000-PRESENT\*\***



<u>EASTERN NUMBER</u>	<u>REPLACES OEM</u>	<u>CRANE NUMBER</u>	<u>DESCRIPTION</u>
75-0193		1-3000 set-2	CAMSHAFT, **HTC-300-2 GRIND** (.505 LIFT) BIG TWIN 2000-PRESENT

# **\*\*EASTERN MOTORCYCLE PARTS\*\***

## **\*\*CRANE PRODUCTS\*\***

### **\*\*BIG TWIN-SPORTSTER\*\***

<u>EASTERN NUMBER</u>	<u>REPLACES OEM</u>	<u>CRANE NUMBER</u>	<u>DESCRIPTION</u>
<b>**CAM GEARS**</b>			
75-0225		7-0000-GREEN	GEAR, CAM, ADVANCE OR RETARD, (GREEN) BIG TWIN 1948-1977
75-0227		7-0001-YELLOW	GEAR, CAM, ADVANCE OR RETARD, (YELLOW) BIG TWIN 1978-1984
75-0228		7-0000-RED	GEAR, CAM, ADVANCE OR RETARD, (RED) BIG TWIN 1978-1984
<b>**PUSH RODS**</b>			
75-0313		4-0030	set-4 PUSH RODS, ADJUSTABLE, **4130 MOLY** BIG TWIN 1966-PRESENT
75-0315		4-0010	set-4 PUSH RODS, ADJUSTABLE, **4130 MOLY** BIG TWIN 1966-1984
75-0317		4-0019	set-4 PUSH RODS, ADJUSTABLE, **4130 MOLY** BIG TWIN 1984-1999, **EXTRA LONG**
75-0320		4-0020	set-4 PUSH RODS, ADJUSTABLE, **4130 MOLY** SPORTSTER 1986-1990
75-0323		4-0022	set-4 PUSH RODS, CUSTOM LENGTH, (11" TO 11-3/4" LONG) **4130 MOLY** BIG TWIN 1984-1999, SPORTSTER 1986-PRESENT
<b>**TAPPETS**</b>			
75-0340		3-1100	set-4 TAPPET CONVERSION KIT (MECH. PUSHRODS) BIG TWIN 1966-1984
<b>**VALVE SPRINGS AND RETAINERS**</b>			
75-0302		6-0100	set-4 RETAINERS, (UPPER) **STEEL** BIG TWIN 1936-1984
75-0360		5-0000	set-8 VALVE SPRINGS, BIG TWIN 1948-1984
75-0370		5-1100	kit VALVE SPRINGS, W/UPPER RETAINERS (STEEL) BIG TWIN 1948-1984
75-0396		5-1200	set-12 SHIMS, VALVE SPRINGS, BIG TWIN 1985-PRESENT, SPORTSTER 1986-PRES.

# **\*\*EASTERN MOTORCYCLE PARTS\*\***

## **\*\*CRANE PRODUCTS\*\***

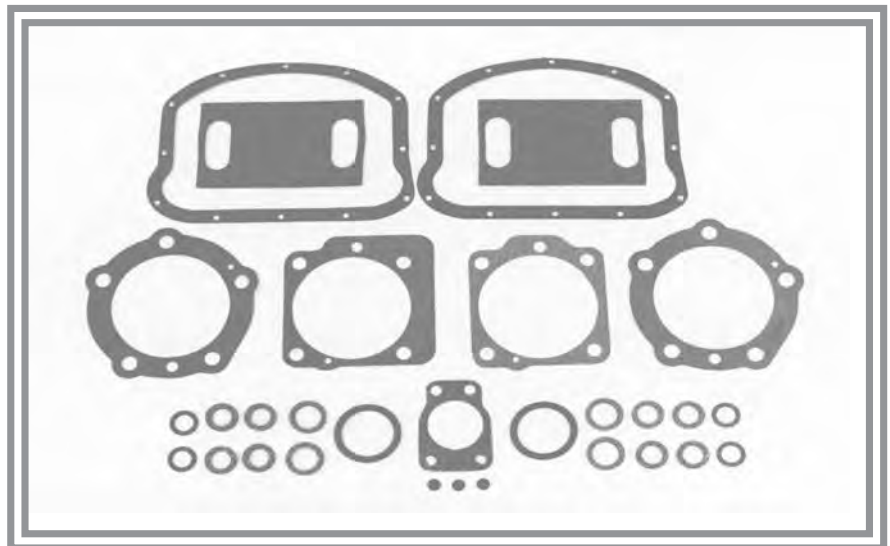
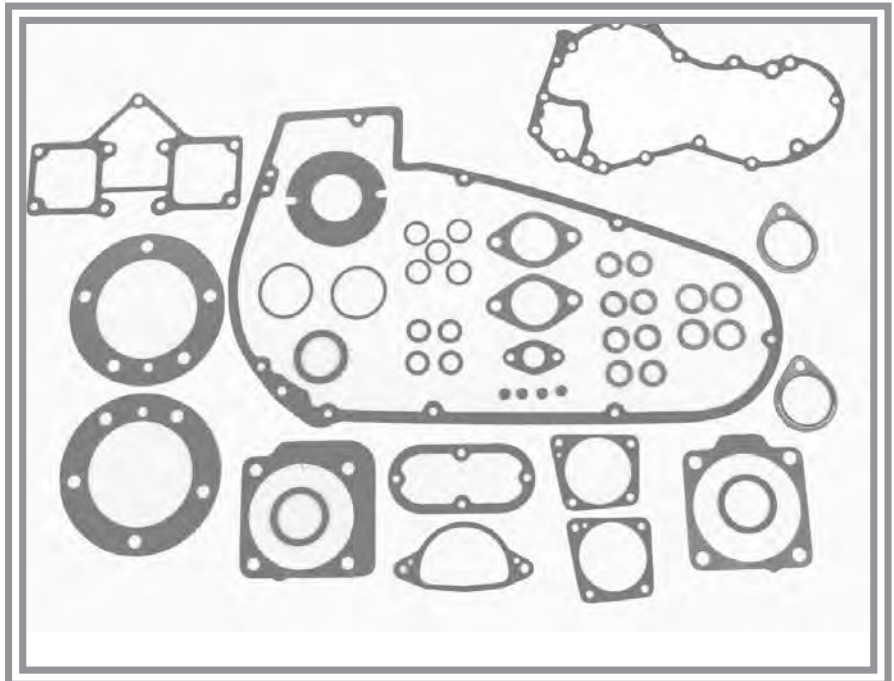
### **\*\*BIG TWIN\*\***

<u>EASTERN NUMBER</u>	<u>REPLACES OEM</u>	<u>CRANE NUMBER</u>	<u>DESCRIPTION</u>
<b>**VALVE SPRING KITS**</b>			
75-0378		5-1001	kit VALVE SPRING KIT (STEEL & TITANIUM RETAINERS) BIG TWIN 1984-PRES. <b>KIT INCLUDES:</b> SPRINGS, UPPER & LOWER RETAINERS & KEEPERS
75-0379		5-1002	kit VALVE SPRING KIT (STEEL & TITANIUM RETAINERS) BIG TWIN 1984-P. <b>KIT INCLUDES:</b> SPRINGS, UPPER & LOWER RETAINERS & KEEPERS
75-0383		5-1004	kit VALVE SPRING KIT (STEEL & TITANIUM RETAINERS) *THERMO COOL* BIG TWIN 1985-PRESENT, SPORTSTER 1986-PRESENT <b>KIT INCLUDES:</b> SPRINGS, UPPER & LOWER RETAINERS & KEEPERS
<b>**CRANE TOOLS AND LUBRICANT**</b>			
75-0237		99405-1	each TOOL, MACHINING SPRING SEATS TO 1.630", BIG TWIN 1948-1984
75-0248		99028-1	each ARBOR FOR 3/8" VALVE GUIDES, BIG TWIN 1948-1984
75-0252		99026-1	each ARBOR FOR 5/16" VALVE GUIDES, SPORTSTER 1957-1985
75-0260		99018-1	each TOOL, MACHINING VALVE GUIDES TO **.531 O.D.** BIG TWIN 1948-1984
75-0264		99016-1	each TOOL, MACHINING VALVE GUIDES TO **.531 O.D.** BIG TWIN 1984-PRESENT
75-0267		9-0011	each TOOL, DEGREE WHEEL
75-0271		9-0021	each TOOL, TAPPET BLOCK ALIGNMENT, BIG TWIN L/1977-1984
75-0275		9-0010	kit TOOL, TUNE A CAM KIT, BIG TWIN 1936-PRES., SPORTSTER 1952-PRESENT
75-0278	25700-88	25700-88	each TOOL, INSTALLATION & REMOVING, BIG TWIN 1984-PRESENT



**\*\*GASKETS\*\***

- \* CAM GEAR
- \* CARBURETOR
- \* CYLINDER BASE
- \* CYLINDER HEAD
- \* GENERATOR
- \* MISCELLANEOUS
- \* MOTOR
- \* OIL PUMP
- \* PRIMARY COVER
- \* ROCKER COVER
- \* STARTER
- \* TAPPET GUIDES
- \* TOP END
- \* TRANSMISSION
- \* VALVE GUIDES





# **\*\*EASTERN MOTORCYCLE PARTS\*\***

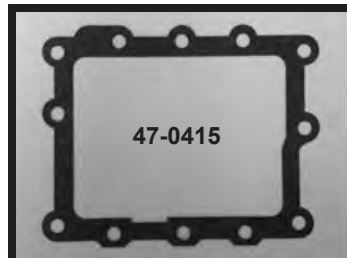
## **\*\*GASKETS\*\***

**\*\*BIG TWIN/SPORTSTER/FORTY-FIVE\*\***

**\*\*MASTER LIST\*\***

<b><u>EASTERN NUMBER</u></b>	<b><u>REPLACES OEM</u></b>		<b><u>DESCRIPTION</u></b>
47-0104	11-30	pair	HEAD GASKETS, <b>**BLUE TEFLON** (.062 THICK)</b> BIG TWIN 1930-1935
A-11125-90	11125	pk-10	GASKETS, INNER CHAIN HOUSING, BIG TWIN 1970-PRESENT
47-0400	2132-16	pk-5	GASKETS, STARTER COVER, <b>**VL MODELS**</b> BIG TWIN 1916-1925 <b>**MADE IN U.S.A.**</b>
47-0410	2132-26	pk-5	GASKETS, STARTER COVER, <b>**VL MODELS**</b> BIG TWIN 1926-1936 <b>**MADE IN U.S.A.**</b>
47-0415	2261-15	pk-5	GASKETS, TRANS TOP COVER, <b>**VL MODELS**</b> BIG TWIN 1915-1936 <b>**MADE IN U.S.A.**</b>
L-3-651	16664-86	pair	HEAD GASKETS, <b>**W/COPPER FIRE RING** 1/16 THICK</b> (883 C/C) SPORTSTER 1986-P.
L-3-649	16664-86T	pair	HEAD GASKETS, <b>**BLUE TEFLON** .043 THICK</b> , (883 C/C) SPORTSTER 1986-PRESENT
L-3-653	16665-86	pair	HEAD GASKETS, <b>**W/COPPER FIRE RING** .043 THICK</b> , (1100 C/C) SPORT. 1986-1987
L-3-654	16665-86	pair	HEAD GASKETS, <b>**BLUE TEFLON** .043 THICK</b> , SPORTSTER 1986-1987
L-3-848	16768-39	pair	HEAD GASKETS, <b>**SOLID COPPER**</b> FLATHEAD, FORTY-FIVE 1939-1973
L-3-849	16769-36	pair	HEAD GASKETS, <b>**BLUE TEFLON** 74 &amp; 80"</b> FLATHEAD, BIG TWIN 1936-1948
L-3-850	16769-36	pair	HEAD GASKETS, <b>**SOLID COPPER** 74 &amp; 80"</b> FLATHEAD, BIG TWIN 1936-1948
L-3-842	16769-57	pair	HEAD GASKETS, <b>**BLUE TEFLON**</b> SPORTSTER 1957-E/1970
L-3-843	16769-57	pk-10	HEAD GASKETS, <b>**ASBESTOS**</b> SPORTSTER 1957-E/1970
L-3-843C	16769-57	pair	HEAD GASKETS, <b>**SOLID COPPER** .020 THICK</b> , SPORTSTER 1957-E/1971
L-3-844	16769-72A	pair	HEAD GASKETS, <b>**SOLID COPPER**</b> SPORTSTER L/1971-E/1973
L-3-844A	16769-72A	pair	HEAD GASKETS, <b>**BLUE TEFLON**</b> SPORTSTER L/1971-E/1973
L-3-673	16769-72A	pair	HEAD GASKETS, <b>** FIRE RING** 1/16" THICK</b> , SPORTSTER 1973-1985
L-3-845	16769-73	pair	HEAD GASKETS, <b>**SOLID COPPER**</b> SPORTSTER L/1973-1985
L-3-846	16769-73	pair	HEAD GASKETS, <b>**BLUE TEFLON**</b> SPORTSTER L/1973-1985
L-3-845A	16769-82	pair	HEAD GASKETS, <b>**SOLID COPPER** .045 THICK</b> , SPORTSTER L/1973-1985
L-3-851	16770-36	pair	HEAD GASKETS, <b>**FIRE RING** 1/16" THICK</b> , KNUCKLEHEAD, BIG TWIN 1936-1947
L-3-852	16770-36	pair	HEAD GASKETS, <b>**BLUE TEFLON**</b> KNUCKLEHEAD, BIG TWIN 1936-1947
L-3-852	16770-36	pair	HEAD GASKETS, <b>**SOLID COPPER**</b> KNUCKLEHEAD, BIG TWIN 1936-1947
L-3-677	16770-48	pair	HEAD GASKETS, <b>**FIRE RING** 1/16" THICK</b> , BIG TWIN 1948-1965
L-3-840	16770-48	pair	HEAD GASKETS, <b>**BLUE TEFLON**</b> BIG TWIN 1948-1965
L-3-840A	16770-48C	pair	HEAD GASKETS, <b>**SOLID COPPER** .040 THICK</b> , BIG TWIN 1948-1965
L-3-840B	16770-48C	pair	HEAD GASKETS, <b>**SOLID COPPER** .021 THICK</b> , BIG TWIN 1948-1965
L-3-679	16770-66B	pair	HEAD GASKETS, <b>**FIRE RING** 1/16" THICK</b> , (1200 & 1340 C/C) BIG TWIN 1966-1984
L-3-841	16770-66B	pair	HEAD GASKETS, <b>**BLUE TEFLON**</b> (1200 & 1340 C/C) BIG TWIN 1966-1984
L-3-841A	16770-66B	pair	HEAD GASKETS, <b>**GRAPHITE**</b> (1200 & 1340 C/C) BIG TWIN 1966-1984
L-3-841C	16770-66B	pair	HEAD GASKETS, <b>**SOLID COPPER** .031 THICK</b> , (1200 & 1340 C/C) BIG TWIN 1966-1984
L-3-854	16770-84	pair	HEAD GASKETS, <b>**BLUE TEFLON** .050 THICK</b> (1200&1340) BIG TWIN 1984-1999, SPORTSTER 1988-PRESENT
L-3-657	16770-84D	pair	HEAD GASKETS, <b>**FIRE RING** .062 THICK</b> (1200&1340) BIG TWIN 1984-1999, SPORTSTER 1988-PRESENT
L-3-659	16773-85	pair	HEAD GASKETS, <b>**FIRE RING** .045 THICK</b> (1200&1340) BIG TWIN 1984-1999, SPORTSTER 1988-1990

**\*\*CONTINUED NEXT PAGE\*\***



# **\*\*EASTERN MOTORCYCLE PARTS\*\***

## **\*\*GASKETS\*\***

### **\*\*BIG TWIN/SPORTSTER/FORTY-FIVE\*\***

#### **\*\*MASTER LIST\*\***

<b><u>EASTERN NUMBER</u></b>	<b><u>REPLACES OEM</u></b>	<b><u>DESCRIPTION</u></b>
L-3-963	16774-21 pk-10	GASKETS, CYLINDER BASE, **FRONT & REAR** (KNUCKLEHEAD) BIG TWIN 1936-1947
L-3-956	16774-57 pk-10	GASKETS, CYLINDER BASE, **FRONT & REAR** (900C/C) SPORTSTER 1957-1972
L-3-957	16774-72 pk-10	GASKETS, CYLINDER BASE, **FRONT & REAR** (1000C/C) SPORTSTER 1972-1985
L-3-964	16774-72R pk-10	GASKETS, CYLINDER BASE, **FRONT & REAR** **XR-750** SPORTSTER 1972-1995
L-3-958	16774-86A pk-10	GASKETS, CYLINDER BASE, **FRONT & REAR** BIG TWIN 1984-1999, SP. 1986-2008
L-3-962	16775-29 pk-10	GASKETS, CYLINDER BASE, **FRONT & REAR** FORTY-FIVE 1929-1973
L-3-962B	16775-52 pk-10	GASKETS, CYLINDER BASE, **FRONT & REAR** SPORTSTER 1952-1956
47-0135	16775-99 pair	HEAD GASKETS, **FIRE RING** 1/16" THICK (1450 C/C) BIG TWIN 1999-PRESENT
47-0137	16775-99 pair	HEAD GASKETS, **BLUE TEFLON** .043 THICK (1450 C/C) BIG TWIN 1999-PRESENT
L-3-952	16776-48 pk-10	GASKETS, CYLINDER BASE, **FRONT** (PANHEAD) BIG TWIN 1948-1962
L-3-954	16776-63 pk-10	GASKETS, CYLINDER BASE, **FRONT** (SHOVELHEAD) BIG TWIN 1963-1984
L-3-953	16777-48 pk-10	GASKETS, CYLINDER BASE, **REAR** (PANHEAD) BIG TWIN 1948-1962
L-3-955	16777-63 pk-10	GASKETS, CYLINDER BASE, **REAR** (SHOVELHEAD) BIG TWIN 1963-1984
L-3-959	16777-83A pk-10	GASKETS, CYLINDER BASE, **FRONT & REAR** (EVO) BIG TWIN 1984-1988
L-3-509	pk-10	GASKETS, CYLINDER BASE, **BIG BORE 3-5/8** BIG TWIN 1966-1984
L-3-515	16778-84 pk-10	GASKETS, CYLINDER HEAD, **RIGHT** BIG TWIN 1984-1999, SPORTSTER 1986-2002
L-3-517	16779-84A pk-10	GASKETS, CYLINDER HEAD, **LEFT** BIG TWIN 1984-1999, SPORTSTER 1986-2002
47-0145	16787-99 pair	HEAD GASKETS, **FIRE RING** (1/16" THICK) **1550 C/C** BIG TWIN 1999-PRESENT
47-0147	16787-99 pair	HEAD GASKETS, **BLUE TEFLON** (.043 THICK) **1550 C/C** BIG TWIN 1999-PRES.
48-0300	17026-40 set	GASKET SET, MOTOR (COMPLETE) 45", **W/TEFLON HEAD GASKET** FORTY-FIVE 1940-1973 **JAMES GASKETS**
48-0305	17026-40 set	GASKET SET, MOTOR (COMPLETE) 45", **W/COPPER HEAD GASKET** FORTY-FIVE 1940-1973 **JAMES GASKETS**
L-3-207	17027-36 set	GASKET SET, MOTOR (COMPLETE) 74 & 80", **W/TEFLON HEAD GASKET** BIG TWIN 1936-1948 **ATHENA GASKETS**
L-3-208	17027-36 set	GASKET SET, MOTOR (COMPLETE) 74 & 80", **W/COPPER HEAD GASKET** BIG TWIN 1936-1948 **ATHENA GASKETS**
L-3-210	17026-52 set	GASKET SET, MOTOR (COMPLETE) 45" K-MODEL, **WITHOUT HEAD GASKET** SPORTSTER 1952-1956 **ATHENA GASKETS**
48-0310	17026-71A set	GASKET SET, MOTOR (COMPLETE) 900 C/C, **W/TEFLON HEAD GASKET** SPORTSTER 1957-1971 **JAMES GASKETS**
48-0312	17026-71A set	GASKET SET, MOTOR (COMPLETE) 900 C/C, **W/COPPER HEAD GASKET** SPORTSTER 1957-1971 **JAMES GASKETS**

**\*\*CONTINUED NEXT PAGE\*\***

# **\*\*EASTERN MOTORCYCLE PARTS\*\***

## **\*\*GASKETS\*\***

### **\*\*BIG TWIN/SPORTSTER/FORTY-FIVE\*\***

#### **\*\*MASTER LIST\*\***

<u>EASTERN NUMBER</u>	<u>REPLACES OEM</u>		<u>DESCRIPTION</u>
48-0328	17026-83	set	GASKET SET, MOTOR (COMPLETE) XR-1000 C/C, <b>**WITHOUT HEAD GASKET**</b> SPORTSTER 1983-1984 <b>**JAMES GASKETS**</b>
48-0316	17026-72	set	GASKET SET, MOTOR (COMPLETE) 1000 C/C, <b>**W/COPPER HEAD GASKET**</b> SPORTSTER 1972-E/1973 <b>**JAMES GASKETS**</b>
48-0318	17026-72	set	GASKET SET, MOTOR (COMPLETE) 1000 C/C, <b>**W/TEFLON HEAD GASKET**</b> SPORTSTER 1972-E/1973 <b>**JAMES GASKETS**</b>
48-0320	17026-73	set	GASKET SET, MOTOR (COMPLETE) 1000 C/C, <b>**W/TEFLON HEAD GASKET**</b> SPORTSTER L/1973-1985 <b>**JAMES GASKETS**</b>
48-0322	17026-73	set	GASKET SET, MOTOR (COMPLETE) 1000 C/C, <b>**W/COPPER HEAD GASKET**</b> SPORTSTER 1973-1985 <b>**JAMES GASKETS**</b>
L-3-285	17026-75R	set	GASKET SET, MOTOR (COMPLETE) XR-750, <b>**WITHOUT HEAD GASKET**</b> SPORTSTER 1972-1978 <b>**EASTERNS**</b>
L-3-225	17026-79	set	GASKET SET, MOTOR (COMPLETE) 1000 C/C, <b>**W/TEFLON HEAD GASKET**</b> SPORTSTER 1977-1981
L-3-226	17026-79	set	GASKET SET, MOTOR (COMPLETE) 1000 C/C, <b>**W/COPPER HEAD GASKET**</b> SPORTSTER 1977-1981
L-3-230	17026-82	set	GASKET SET, MOTOR (COMPLETE) 1000C/C, <b>**W/TEFLON HEAD GASKET**</b> SPORTSTER 1982-1985
L-3-228	17026-86	set	GASKET SET, MOTOR (COMPLETE) 883 C/C, <b>**W/FIRE RING HEAD GASKET**</b> SPORTSTER 1986-1990
L-3-232	17026-86A	set	GASKET SET, MOTOR (COMPLETE) 1100 C/C, <b>**W/FIRE RING HEAD GASKET**</b> SPORTSTER 1986-1987
54-8010	17026-88	set	GASKET SET, MOTOR (COMPLETE) 1200 C/C EVO, <b>**W/TEFLON HEAD GASKET**</b> SPORTSTER 1988-1990 <b>**ATHENA**</b>
54-8000	17026-91	set	GASKET SET, MOTOR (COMPLETE) 883 C/C EVO, <b>**W/TEFLON HEAD GASKET**</b> SPORTSTER 1991-2003 <b>**ATHENA**</b>
L-3-379	17027-04	set	GASKET SET, (TOP END) 883 C/C <b>**W/FIRE RING HEAD GASKET**</b> SPORTSTER 2004-PRESENT
L-3-234	17028-36	set	GASKET SET, MOTOR (COMPLETE) 61&74" KNUCKLE <b>**W/FIRE RING HEAD GASKET**</b> BIG TWIN 1936-1947 <b>**ATHENA GASKETS**</b>
L-3-235	17028-36	set	GASKET SET, MOTOR (COMPLETE) 61&74" KNUCKLE <b>**W/TEFLON HEAD GASKET**</b> BIG TWIN 1936-1947 <b>**ATHENA GASKETS**</b>
L-3-236	17028-36	set	GASKET SET, MOTOR (COMPLETE) 61&74" KNUCKLE <b>**W/COPPER HEAD GASKET**</b> BIG TWIN 1936-1947 <b>**ATHENA GASKETS**</b>

**\*\*CONTINUED NEXT PAGE\*\***

# **\*\*EASTERN MOTORCYCLE PARTS\*\***

## **\*\*GASKETS\*\***

### **\*\*BIG TWIN/SPORTSTER/FORTY-FIVE\*\***

#### **\*\*MASTER LIST\*\***

<u>EASTERN NUMBER</u>	<u>REPLACES OEM</u>	<u>DESCRIPTION</u>
48-0350	17028-48 set	GASKET SET, MOTOR (COMPLETE) 1200 C/C, <b>**W/TEFLON HEAD GASKET**</b> BIG TWIN 1948-1965 <b>**JAMES GASKETS**</b>
48-0352	17028-48 set	GASKET SET, MOTOR (COMPLETE) 1200 C/C, <b>**W/COPPER HEAD GASKET**</b> BIG TWIN 1948-1965 <b>**JAMES GASKETS**</b>
48-0354	17028-48 set	GASKET SET, MOTOR (COMPLETE) 1200 C/C, <b>**W/FIRE RING HEAD GASKET**</b> BIG TWIN 1948-1965 <b>**JAMES GASKETS**</b>
L-3-243	17029-66A set	GASKET SET, MOTOR (COMPLETE) 1200 C/C, <b>**W/TEFLON HEAD GASKET**</b> BIG TWIN 1966-1969
L-3-245	17029-66A set	GASKET SET, MOTOR (COMPLETE) 1200 C/C, <b>**W/GRAPHITE HEAD GASKET**</b> BIG TWIN 1966-1969
L-3-246	17029-66A set	GASKET SET, MOTOR (COMPLETE) 1200 C/C, <b>**W/COPPER HEAD GASKET**</b> BIG TWIN 1966-1969
48-0370	17029-70F set	GASKET SET, MOTOR (COMPLETE) W/4-SPEED <b>**W/FIRE RING HEAD GASKET**</b> BIG TWIN 1966-1984 <b>**JAMES GASKETS**</b>
48-0372	17029-70T set	GASKET SET, MOTOR (COMPLETE) W/4-SPEED <b>**W/TEFLON HEAD GASKET**</b> BIG TWIN 1966-1984 <b>**JAMES GASKETS**</b>
48-0374	17029-70C set	GASKET SET, MOTOR (COMPLETE) W/4-SPEED <b>**W/COPPER HEAD GASKET**</b> BIG TWIN 1966-1984 <b>**JAMES GASKETS**</b>
L-3-250	17029-80 set	GASKET SET, MOTOR (COMPLETE) W/5-SPEED <b>**W/FIRE RING HEAD GASKET**</b> BIG TWIN 1980-1984
L-3-252	17029-80 set	GASKET SET, MOTOR (COMPLETE) W/5-SPEED <b>**W/TEFLON HEAD GASKET**</b> BIG TWIN 1980-1984 <b>**EASTERNS**</b>
L-3-254	17029-80 set	GASKET SET, MOTOR (COMPLETE) W/5-SPEED <b>**W/COPPER HEAD GASKET**</b> BIG TWIN 1980-1984 <b>**EASTERNS**</b>
L-3-340	17030-57 set	GASKET SET, (TOP END) <b>**W/GRAPHITE HEAD GASKET**</b> SPORTSTER 1957-1971
L-3-341	17030-57 set	GASKET SET, (TOP END) <b>**W/TEFLON HEAD GASKET**</b> SPORTSTER 1957-1971
L-3-342	17030-57 set	GASKET SET, (TOP END) <b>**W/COPPER HEAD GASKET**</b> SPORT. 1957-1971 <b>*ATHENA*</b>
L-3-345	17030-72 set	GASKET SET, (TOP END) <b>**W/GRAPHITE HEAD GASKET**</b> SP. 1972-1973 <b>*EASTERNS*</b>
L-3-346	17030-72 set	GASKET SET, (TOP END) <b>**W/TEFLON HEAD GASKET**</b> SP. 1972-1973 <b>*EASTERNS*</b>
L-3-347	17030-72 set	GASKET SET, (TOP END) <b>**W/COPPER HEAD GASKET**</b> SP. 1972-1973 <b>*EASTERNS*</b>
L-3-350	17030-73 set	GASKET SET, (TOP END) <b>**W/GRAPHITE HEAD GASKET**</b> SPORT. 1973-1978 <b>*JAMES*</b>
L-3-351	17030-73 set	GASKET SET, (TOP END) <b>**W/TEFLON HEAD GASKET**</b> SPORT 1973-1978 <b>*EASTERNS*</b>
L-3-352	17030-73 set	GASKET SET, (TOP END) <b>**W/COPPER HEAD GASKET** (.021 THICK)</b> SPORT. 1973-1978
L-3-353	17030-73 set	GASKET SET, (TOP END) <b>**W/COPPER HEAD GASKET** (.045 THICK)</b> SPORT. 1973-1978
L-3-365	17030-86 set	GASKET SET, (TOP END) <b>**W/FIRE RING HEAD GASKET**</b> SPORTSTER 1986-1990
L-3-372	17030-88 set	GASKET SET, (TOP END) <b>**W/FIRE RING HEAD**</b> SPORTSTER 1988-1990
L-3-378	17030-88 set	GASKET SET, (TOP END) <b>**W/FIRE RING HEAD**</b> SPORTSTER 1988-1990 <b>*ATHENA*</b>
L-3-302	17031-40 set	GASKET SET, (TOP END) <b>**W/TEFLON HEAD GASKET**</b> FORTY-FIVE 1940-1973
L-3-304	17031-40 set	GASKET SET, (TOP END) <b>**W/COPPER HEAD GASKET**</b> FORTY-FIVE 1940-1973
L-3-355	17032-79 set	GASKET SET, (TOP END) <b>**W/GRAPHITE HEAD GASKET**</b> SP. 1979-1981 <b>*EASTERN*</b>
L-3-356	17032-79 set	GASKET SET, (TOP END) <b>**W/TEFLON HEAD GASKET**</b> SP. 1979-1981 <b>*EASTERN*</b>
L-3-357	17032-79 set	GASKET SET, (TOP END) <b>**W/COPPER HEAD GASKET**</b> SP. 1979-1981 <b>*EASTERN*</b>
L-3-360	17032-82 set	GASKET SET, (TOP END) <b>**W/GRAPHITE HEAD GASKET**</b> SPORT 1982-1985 <b>*EASTERN*</b>
L-3-361	17032-82 set	GASKET SET, (TOP END) <b>**W/TEFLON HEAD GASKET**</b> SPORT 1982-1985 <b>*EASTERNS*</b>
L-3-362	17032-82 set	GASKET SET, (TOP END) <b>**W/COPPER HEAD GASKET**</b> SPORT 1982-1985 <b>*EASTERNS*</b>
L-3-365	17030-86 set	GASKET SET, (TOP END) <b>**W/FIRE RING HEAD GASKET**</b> SPORTSTER 1986-1990
54-8200	17030-86 set	GASKET SET, (TOP END) <b>**W/TEFLON HEAD GASKET**</b> SPORT. 1986-1990 <b>*ATHENA*</b>
L-3-370	17032-86 set	GASKET SET, (TOP END) <b>**W/FIRE RING HEAD GASKET**</b> SPORT. 1986-1988
L-3-371	17032-86A set	GASKET SET, (TOP END) <b>**W/TEFLON HEAD GASKET**</b> SPORTSTER 1986-1988
54-8220	17032-86B set	GASKET SET, (TOP END) <b>**W/TEFLON HEAD GASKET**</b> SPORT. 1991-2003 <b>*ATHENA*</b>

**\*\*CONTINUED NEXT PAGE\*\***

**\*5120 HILDA ROAD\* BLACKVILLE, S.C. 29817\* 803-284-3304\***

**\*Pg 424\***



# **\*\*EASTERN MOTORCYCLE PARTS\*\***

## **\*\*GASKETS\*\***

### **\*\*BIG TWIN/SPORTSTER/FORTY-FIVE\*\***

#### **\*\*MASTER LIST\*\***

<u>EASTERN NUMBER</u>	<u>REPLACES OEM</u>	<u>DESCRIPTION</u>
L-3-380	17032-91 set	GASKET SET, (TOP END) <b>**W/FIRE RING HEAD GASKET**</b> SPORT. 1991-2003 *ATHENA*
L-3-308	17033-36 set	GASKET SET, (TOP END) <b>**W/TEFLON HEAD GASKET**</b> BIG TWIN 1936-1948 *ATHENA*
L-3-309	17033-36 set	GASKET SET, (TOP END) <b>**W/COPPER HEAD GASKET**</b> BIG TWIN 1936-1948 *EASTERN*
48-0436	17033-83A set	GASKET SET, (TOP END) <b>**W/TEFLON HEAD GASKET**</b> BIG TWIN 1984-1991 <b>**JAMES**</b>
48-0438	17033-83A set	GASKET SET, (TOP END) <b>**W/FIRE RING HEAD GASKET**</b> BIG TWIN 1984-1991 <b>**JAMES**</b>
L-3-325	17033-83A set	GASKET SET, (TOP END) <b>**W/GRAPHITE HEAD GASKET**</b> BIG TWIN 1984-1991 EASTERN
L-3-326	17033-83A set	GASKET SET, (TOP END) <b>**W/TEFLON HEAD GASKET**</b> BIG TWIN 1984-1991 *EASTERN*
L-3-327	17033-83A set	GASKET SET, (TOP END) <b>**W/FIRE RING HEAD GASKET**</b> BIG TWIN 1984-1991 EASTERN
L-3-310	17034-38 set	GASKET SET, (TOP END) <b>**W/TEFLON HEAD GASKET**</b> BIG TWIN 1936-1947 *ATHENA*
L-3-311	17034-38 set	GASKET SET, (TOP END) <b>**W/COPPER HEAD GASKET**</b> BIG TWIN 1936-1947 *EASTERN*
L-3-312	17034-38 set	GASKET SET, (TOP END) <b>**W/FIRE-RING HEAD GASKET**</b> BIG TWIN 1936-1947 EASTERN
L-3-313	17034-48A set	GASKET SET, (TOP END) <b>**W/COPPER HEAD GASKET**</b> BIG TWIN 1948-1965 *EASTERN*
L-3-314	17034-48A set	GASKET SET, (TOP END) <b>**W/FIRE RING HEAD GASKET**</b> BIG TWIN 1948-1965 EASTERN
L-3-315	17034-48A set	GASKET SET, (TOP END) <b>**W/TEFLON HEAD GASKET**</b> BIG TWIN 1948-1965 *EASTERN*
48-0428	17034-66 set	GASKET SET, (TOP END) <b>**W/TEFLON HEAD GASKET**</b> BIG TWIN 1966-1978 *JAMES*
48-0430	17034-66 set	GASKET SET, (TOP END) <b>**W/FIRE RING HEAD GASKET**</b> BIG TWIN 1966-1978 *JAMES*
48-0432	17034-66 set	GASKET SET, (TOP END) <b>**W/COPPER HEAD GASKET**</b> BIG TWIN 1966-1978 *JAMES*
L-3-318	17034-66 set	GASKET SET, (TOP END) <b>**W/FIRE RING HEAD GASKET**</b> BIG TWIN 1966-1978 EASTERN
L-3-319	17034-66 set	GASKET SET, (TOP END) <b>**W/TEFLON HEAD GASKET**</b> BIG TWIN 1966-1978 *EASTERN*
L-3-320	17034-66 set	GASKET SET, (TOP END) <b>**W/COPPER HEAD GASKET**</b> BIG TWIN 1966-1978 *EASTERN*
L-3-316	17034-78 set	GASKET SET, (TOP END) <b>**W/TEFLON HEAD GASKET**</b> BIG TWIN 1978-1984 *EASTERN*
L-3-317	17034-78 set	GASKET SET, (TOP END) <b>**W/FIRE RING HEAD GASKET**</b> BIG TWIN 1978-1984 EASTERN
L-3-322	17034-78 set	GASKET SET, (TOP END) <b>**W/COPPER HEAD GASKET**</b> BIG TWIN 1978-1984 *EASTERN*
L-3-260	17035-83A set	GASKET SET, MOTOR, <b>**W/FIRE RING HEAD GASKET**</b> BIG TWIN 1984-1986
L-3-267	17035-84 set	GASKET SET, MOTOR, <b>**W/FIRE RING HEAD GASKET**</b> BIG TWIN 1984-1991 *ATHENA*
L-3-339	17036-91 kit-6	GASKET SET, TOP ROCKER COVERS, <b>**RUBBER**</b> SPORTSTER 1991-PRESENT
L-3-336	17038-90 kit-6	GASKET SET, TOP ROCKER COVERS, <b>**RUBBER**</b> BIG TWIN 1984-1991
L-3-338	17039-90 kit-6	GASKET SET, TOP ROCKER COVERS, <b>**CORK**</b> SPORTSTER 1986-1990
48-0440	17040-92 set	GASKET SET, (TOP END) <b>**W/TEFLON HEAD GASKET**</b> BIG TWIN 1992-1999 *JAMES*
48-0442	17040-92 set	GASKET SET, (TOP END) <b>**W/FIRE-RING HEAD GASKET**</b> BIG TWIN 1992-1999 *JAMES*
48-0390	17041-92A set	GASKET SET, MOTOR (COMP.) <b>**W/TEFLON HEAD GASKET**</b> BIG TWIN 1992-99 *JAMES*
48-0392	17041-92A set	GASKET SET, MOTOR (COMP.) <b>**W/FIRE-RING HEAD GASKET**</b> BIG TWIN 1992-99 *JAMES*
L-3-337	17042-92 kit-6	GASKET SET, TOP ROCKER COVERS, <b>**RUBBER**</b> BIG TWIN 1992-1999
L-3-525	17353-86 pk-5	GASKETS, LOWER ROCKER COVERS, <b>**CORK**</b> SPORTSTER 1986-1990
47-1015	17353-89 pk-5	GASKETS, LOWER ROCKER COVERS, <b>**RUBBER**</b> SPORTSTER 1991-PRESENT
L-3-527	17354-86 pk-5	GASKETS, UPPER ROCKER COVERS, <b>**CORK**</b> SPORTSTER 1986-1990
47-1020	17354-89 pk-5	GASKETS, UPPER ROCKER COVERS, <b>**RUBBER**</b> SPORTSTER 1991-PRESENT
L-3-530	17355-84 pk-5	GASKETS, LOWER ROCKER COVERS, <b>**CORK**</b> BIG TWIN 1984-1991
47-1025	17355-84 pk-5	GASKETS, LOWER ROCKER COVERS, <b>**RUBBER**</b> BIG TWIN 1984-1991
47-1040	17355-92 pk-5	GASKETS, LOWER ROCKER COVERS <b>**RUBBER**</b> BIG TWIN 1992-1999
L-3-532	17356-84 pk-5	GASKETS, UPPER ROCKER COVERS, <b>**CORK**</b> BIG TWIN 1984-1991
47-1030	17356-84 pk-5	GASKETS, UPPER ROCKER COVERS, <b>**RUBBER**</b> BIG TWIN 1984-1991
L-3-535	17358-84 pk-10	GASKETS, INNER ROCKER COVERS, <b>**CORK**</b> BIG TWIN 1984-1991, SPORT. 1986-2006
47-1035	17358-84 pk-10	GASKETS, INNER ROCKER COVERS, <b>**RUBBER**</b> BIG TWIN 1984-1991, SPORT. 1986-P.
L-3-947	17507-48 pk-10	FELT PAD, ROCKER ARM COVER, BIG TWIN 1948-1965
L-3-711	17535-38 pk-10	GASKETS, ROCKER COVER (FRONT INTAKE & REAR EXHAUST) BIG TWIN 1938-1947
L-3-941	17536-70 pk-10	GASKETS, ROCKER COVERS, <b>**1/32 THICK**</b> SPORTSTER 1957-1985
L-3-713	17537-38 pk-10	GASKETS, ROCKER COVERS (REAR INTAKE) BIG TWIN 1938-1947
L-3-715	17539-38 pk-10	GASKETS, ROCKER COVERS (FRONT EXHAUST) BIG TWIN 1938-1947
L-3-940	17540-69A pk-10	GASKETS, ROCKER COVERS, <b>**0.015 THICK**</b> BIG TWIN 1966-1984

# **\*\*EASTERN MOTORCYCLE PARTS\*\***

## **\*\*GASKETS\*\***

### **\*\*BIG TWIN/SPORTSTER/FORTY-FIVE\*\***

#### **\*\*MASTER LIST\*\***

<u>EASTERN NUMBER</u>	<u>REPLACES OEM</u>	<u>DESCRIPTION</u>
L-3-944	17541-48	pk-10 GASKETS, ROCKER COVERS, <b>**THICK**</b> BIG TWIN 1948-1965
L-3-945	17541-48B	pk-10 GASKETS, ROCKER COVERS, <b>**THIN**</b> BIG TWIN 1948-1965
L-3-717		set-4 GASKETS, ROCKER COVERS, BIG TWIN 1938-1947, INCL: 17535-38, 17537-38, 17539-38
47-0239	17591-99	pk-10 GASKETS, BREATHER COVER, <b>**2-CAM**</b> BIG TWIN 1999-PRESENT
47-0243	17591-99	pk-10 GASKETS, BREATHER BAFFLE, <b>**2-CAM**</b> BIG TWIN 1999-2006
L-3-805	17955-36	pk-25 PUSH ROD CORKS, <b>**UPPER**</b> BIG TWIN 1936-1979, SPORTSTER 1957-1979
L-3-806	17955-48	pk-25 PUSH ROD CORKS, <b>**LOWER**</b> BIG TWIN 1948-1979
L-3-560	18196-51	pk-20 GASKETS, VALVE GUIDE, <b>**BOTTOM**</b> BIG TWIN 1948-1978, SPORTSTER 1952-1956
L-3-562	18198-38	pk-20 GASKETS, VALVE GUIDE, <b>**BOTTOM**</b> FORTY-FIVE 1938-1973, SIDE VALVE 1936-1948
L-3-569	18245-39	pk-10 GASKETS, UPPER CORK SEAL, BIG TWIN 1937-1948
L-3-573	18257-39	pk-10 GASKETS, MIDDLE CORK SEAL, BIG TWIN 1937-1948
L-3-577	18259-39	pk-10 GASKETS, LOWER CORK SEAL, BIG TWIN 1937-1948
L-3-1103	18259-52	pk-10 GASKETS, VALVE SPRING COVER <b>**LOWER**</b> SPORTSTER 1952-1956
L-3-1106	18260-29	pk-10 GASKETS, VALVE COVER (RUBBER) FORTY-FIVE 1936-1973
L-3-1110	18261-30	pk-10 GASKETS, VALVE COVER <b>**RUBBER**</b> BIG TWIN 1937-1948
L-3-565	18265-37	pk-10 GASKETS, VALVE GUIDE, <b>**BOTTOM**</b> BIG TWIN 1937-1947
L-3-1006	18630-26	pk-10 GASKETS, VALVE SPRING COVER, FORTY-FIVE 1929-1973, SIDE VALVE 1936-1948
L-3-948	18631-30	pk-10 GASKETS, TAPPET GUIDES, (FRONT & REAR) FORTY-FIVE 1937-1973, SIDE-VALVE '36-'48
L-3-948B	18631-52	pk-10 GASKETS, TAPPET GUIDES, (FRONT & REAR) SPORTSTER 1952-1956
L-3-949	18632-36	pk-10 GASKETS, TAPPET GUIDES, (FRONT & REAR) BIG TWIN 1936-1947
L-3-951	18633-48A	pk-10 GASKETS, TAPPET GUIDES, (REAR) BIG TWIN 1948-1999
L-3-950	18634-48B	pk-10 GASKETS, TAPPET GUIDES, (FRONT) BIG TWIN 1948-1999
47-0281	18635-99	pk-10 GASKETS, LIFTER COVER (TAPPETS) <b>**2-CAM**</b> BIG TWIN 1999-PRESENT
47-0571	24821-74R	pk-10 GASKETS, OIL SUMP PLATE <b>**XR-750**</b> SPORTSTER 1972-1995
L-3-723	24921-37	pk-10 GASKETS, CRANKCASE RELIEF PIPE, FORTY-FIVE 1937-1973, SIDE VALVE 1937-1948
L-3-827	24978-57	pk-10 GASKETS, OIL STRAINER TO CRANKCASE, SPORTSTER 1952-1976
L-3-835	25224-52A	pk-10 GASKETS, CAM GEAR COVER, SPORTSTER 1952-1981
L-3-837	25225-36C	pk-10 GASKETS, CAM GEAR COVER, BIG TWIN 1936-1969
L-3-839	25225-70B	pk-10 GASKETS, CAM GEAR COVER, BIG TWIN 1970-1992
54-7005	25225-70B	pk-5 GASKETS, CAM GEAR COVER, <b>**COMETIC**</b> BIG TWIN 1970-1992
L-3-839B	25225-93	pk-10 GASKETS, CAM GEAR COVER, BIG TWIN 1993-1998
L-3-703	25226-37	pk-10 GASKETS, CAM GEAR COVER, FORTY-FIVE 1937-1973
48-0201	25227-37	pk-10 GASKETS, CAM GEAR COVER, <b>**JAMES**</b> BIG TWIN 1937-1948
L-3-705	25227-37	pk-10 GASKETS, CAM GEAR COVER, BIG TWIN 1937-1948
47-0383	25244-99	pk-10 GASKETS, CAM GEAR COVER, <b>**2-CAM**</b> BIG TWIN 1999-PRESENT
L-3-836	25263-81	pk-10 GASKETS, CAM GEAR COVER, SPORTSTER 1982-1985
L-3-836A	25263-86	pk-10 GASKETS, CAM GEAR COVER, SPORTSTER 1986-1990
L-3-836B	25263-90	pk-10 GASKETS, CAM GEAR COVER, SPORTSTER 1991-PRESENT
47-2200	25416-70A	pk-5 GASKETS, DERBY COVER, <b>**FOAMET MATERIAL**</b> BIG TWIN 1970-1984
47-2205	25416-99B	pk-5 GASKETS, DERBY COVER, <b>**FOAMET MATERIAL**</b> BIG TWIN 1999-2006
L-3-1035	26072-90	pk-10 GASKETS, OIL PAN, <b>**5-SPEED DYNA**</b> BIG TWIN 1991-1998
47-0665	26072-99	pk-5 GASKETS, OIL PAN, <b>**5-SPEED DYNA** (WITHOUT SILICONE)</b> BIG TWIN 1991-PRESENT
L-3-1039	26077-93	pk-10 GASKETS, OIL PAN, <b>**5-SPEED FLT** (WITH SILICONE BEAD)</b> BIG TWIN 1993-1998
47-0677	26077-99	pk-5 GASKETS, OIL PAN, <b>**5-SPEED FLT** (WITH SILICONE BEAD)</b> BIG TWIN 1999-2005
L-3-926	26244-37	pk-10 GASKETS, OIL PUMP FEED SIDE, FORTY-FIVE 1937-1973, SIDE VALVE 1937-1948
L-3-929	26245-41	pk-10 GASKETS, OIL PUMP TO CRANKCASE, <b>**PAPER**</b> BIG TWIN 1941-1967
L-3-927	26246-37	pk-10 GASKETS, OIL PUMP SCAVENGER SIDE, FORTY-FIVE 1937-1973, SIDE VALVE 1937-1948
L-3-931	26246-68A	pk-10 GASKETS, OIL PUMP BODY TO CRANKCASE, <b>**MYLAR**</b> BIG TWIN 1968-1980

# **\*\*EASTERN MOTORCYCLE PARTS\*\***

## **\*\*GASKETS\*\***

### **\*\*BIG TWIN/SPORTSTER/FORTY-FIVE\*\***

#### **\*\*MASTER LIST\*\***

<u>EASTERN NUMBER</u>	<u>REPLACES OEM</u>	<u>DESCRIPTION</u>
L-3-922	25255-41	pk-10 GASKETS, OIL PUMP, OUTER COVER, **PAPER** BIG TWIN 1941-E/1950
L-3-935	26256-52	pk-10 GASKETS, OIL PUMP TO CRANKCASE, **PAPER** SPORTSTER 1952-1976
L-3-930	26257-41	pk-10 GASKETS, OIL PUMP, OUTER COVER, **PAPER** BIG TWIN 1936-E/1950
L-3-928	26257-50A	pk-10 GASKETS, OIL PUMP OUTER COVER, **PAPER** BIG TWIN 1950-1967
L-3-936	26258-52	pk-10 GASKETS, OIL PUMP OUTER COVER, **PAPER** SPORT. 1952-E/1962 & 1972-1976
L-3-936A	26258-62	pk-10 GASKETS, OIL PUMP OUTER COVER, **PAPER** SPORTSTER L/1962-1971
L-3-932	26258-66B	pk-10 GASKETS, OIL PUMP OUTER COVER, **MYLAR** BIG TWIN 1968-1980
L-3-937	26259-52	pk-10 GASKETS, OIL PUMP INNER COVER, **PAPER** SPORTSTER 1952-E/1962
L-3-937A	26259-62	pk-10 GASKETS, OIL PUMP INNER COVER, **PAPER** SPORTSTER L/1962-1971
L-3-923	26273-80B	pk-10 GASKETS, OIL PUMP BODY TO CRANKCASE, **PAPER** BIG TWIN 1980-1991
L-3-923B	26273-92	pk-10 GASKETS, OIL PUMP BODY TO CRANKCASE, **PAPER** BIG TWIN 1992-PRESENT
L-3-924	26276-80A	pk-10 GASKETS, OIL PUMP OUTER COVER, **PAPER** BIG TWIN 1980-1991
L-3-924B	26276-92	pk-10 GASKETS, OIL PUMP OUTER COVER, **PAPER** BIG TWIN 1992-PRESENT
L-3-925	26495-75	pk-10 GASKETS, OIL PUMP TO CRANKCASE, SPORTSTER 1977-1990
L-3-918	26495-89	pk-10 GASKETS, OIL PUMP TO CRANKCASE, SPORTSTER 1991-PRESENT
L-3-811	27015-72R	pk-10 GASKETS, MANIFOLD **XR-750** SPORTSTER 1972-1988
L-3-812	27023-71	pk-10 GASKETS, CARBURETOR TO MANIFOLD **BENDIX** BIG TWIN 1971-1976, SP. 1972-'85
L-3-814	27077-78	pk-10 GASKETS, CARBURETOR TO MANIFOLD, BIG TWIN 1976-1987, SPORT. 1976-1989
L-3-761	27391-36	pk-10 GASKETS, FLOAT BOWL, **LINKERT** BIG TWIN 1936-1965
47-0447	27410-39	pk-10 GASKETS, CARBURETOR INSULATOR, BIG TWIN 1936-1948, FORTY-FIVE 1940-1973
47-0457	27410-57	pk-10 GASKETS, CARBURETOR TO MANIFOLD, BIG TWIN 1957-1965, SPORT.1957-1965
L-3-810	27411-40	pk-10 GASKETS, CARBURETOR TO MANIFOLD, BIG TWIN 1940-1965
47-0477	27414-61	pk-10 GASKETS, CARBURETOR TO MANIFOLD, FORTY-FIVE 1961-1973
L-3-771	27646-71	pk-10 GASKETS, FLOAT BOWL, **BENDIX** BIG TWIN 1971-1975, SPORTSTER 1972-1976
L-3-955	29058-77	pk-10 GASKETS, CARBURETOR TO AIR CLEANER, BIG TWIN 1977-PRES., SPORT. 1977-1987
L-3-813	29242-83	pk-10 GASKETS, MANIFOLD TO ENGINE, BIG TWIN 1984-1990, SPORTSTER 1986-PRESENT
47-0581	29550-55	pk-10 GASKETS, MAGNETO CAP, SPORTSTER 1958-1969
47-0550	29600-56R	pk-10 GASKETS, MAGNETO To ADAPTER **XR-750** SPORTSTER 1956-1978
47-0563	29602-56R	pk-10 GASKETS, MAGNETO ADAPTER **XR-750** SPORTSTER 1956-1978
L-3-818	30138-30	pk-10 GASKETS, DRIVE END COVER, **3-BRUSH** BIG TWIN 1932-1957, SPORT. 1954-1957
L-3-828	30143-30	pk-10 GASKETS, GENERATOR TO CASE, BIG TWIN 1932-1957, SPORTSTER 1954-1957
L-3-830	30143-58	pk-10 GASKETS, GENERATOR TO CASE, BIG TWIN 1958-1969, SPORTSTER 1958-1981
L-3-820	30228-32	pk-5 FIELD COIL TERMINAL INSULATOR, **3-BRUSH** BIG TWIN 1932-1957, SPORT 1954-'57
L-3-821	30373-51	pk-10 GASKETS, BRUSH HOLDER, **3-BRUSH** BIG TWIN 1932-1957, SPORT. 1954-1957
L-3-819	31015-30	pk-10 GASKETS, COMMUTATOR END, **3-BRUSH** BIG TWIN 1932-1957, SPORT 1954-1957
L-3-824	31097-58	pk-10 GASKETS, TERMINAL INSULATOR, **2-BRUSH** BIG TWIN 1958-1969, SPORT 1958-'80
L-3-825	31098-58	pk-10 GASKETS, TERMINAL INSULATOR, **2-BRUSH** BIG TWIN 1958-1969, SPORT 1958-'80
L-3-911	31320-80	pk-10 GASKETS, STARTER SHAFT HOUSING, BIG TWIN 1982-1984
L-3-912	31321-80	pk-10 GASKETS, STARTER MOTOR HOUSING, BIG TWIN 1982-1984
L-3-903	31461-70	pk-10 GASKETS, STARTER BLOCK OFF PLATE, **CORK** SPORTSTER 1970-E/1979
L-3-905	31471-67A	pk-10 GASKETS, STARTER MOTOR HOUSING, **CORK** SPORTSTER 1967-1980
L-3-906	31488-77	pk-10 GASKETS, STARTER MOTOR HOUSING, SPORTSTER 1977-1980
L-3-907	31488-81	pk-10 GASKETS, STARTER MOTOR HOUSING, SPORTSTER 1981-PRESENT
L-3-752	32521-36	pk-10 GASKETS, CIRCUIT BREAKER BASE, BIG TWIN 1936-1964, SPORTSTER 1952-1969
L-3-753	32522-37	pk-10 GASKETS, TACHOMETER DRIVE, SPORTSTER 1972-1995
L-3-832	32591-70	pk-10 GASKETS, IGNITION TIMER COVER, BIG TWIN 1970-1979, SPORTSTER 1971-1979
L-3-834	32591-80	pk-10 GASKETS, IGNITION TIMER COVER, BIG TWIN 1980-1996, SPORTSTER 1980-1996
L-3-430	33030-41	set GASKET SET, (COMPLETE) TRANS. FORTY-FIVE 1941-1973 <b>**MADE IN U.S.A.**</b>
L-3-431	33030-41	set GASKET SET, (COMPLETE) TRANS. FORTY-FIVE 1941-1973 <b>**IMPORTED**</b>
M-4-847A	33031-36	set GASKET SET, (COMPLETE) TRANS. <b>**4-SPEED**</b> , BIG TWIN 1936-1964
L-3-435	33031-65A	set GASKET SET, (COMPLETE) TRANS. <b>**4-SPEED**</b> , BIG TWIN 1965-1969



# **\*\*EASTERN MOTORCYCLE PARTS\*\***

## **\*\*GASKETS\*\***

### **\*\*BIG TWIN/SPORTSTER/FORTY-FIVE\*\***

#### **\*\*MASTER LIST\*\***

<b><u>EASTERN NUMBER</u></b>	<b><u>REPLACES OEM</u></b>	<b><u>DESCRIPTION</u></b>
L-3-437	33031-70 set	GASKET SET, (COMPLETE) TRANSMISSION **4-SPEED**, BIG TWIN 1970-1979
L-3-440	33031-80 set	GASKET SET, (COMPLETE) TRANSMISSION **4-SPEED** BIG TWIN L/1979-1986
L-3-445	33031-82 set	GASKET SET, (COMPLETE) TRANSMISSION **5-SPEED**, BIG TWIN 1980-1984
L-3-450	33031-85 set	GASKET SET, (COMPLETE) TRANS. **4-5-SPEED**, BIG TWIN 1985-P. <b>**ATHENA**</b>
L-3-451	33031-85 set	GASKET SET, (COMPLETE) TRANSMISSION **5-SPEED**, BIG TWIN 1985-PRESENT
L-3-453	33031-91 set	GASKET SET, (COMPLETE) TRANSMISSION **5-SPEED**, BIG TWIN 1991-PRESENT
L-3-461	33031-99 set	GASKET SET, (COMPLETE) TRANSMISSION **5-SPEED** BIG TWIN 1999-P. <b>**ATHENA**</b>
L-3-466	33032-99 set	GASKET SET, (COMPLETE) TRANSMISSION **5-SPEED** BIG TWIN 1999-P. <b>**ATHENA**</b>
15-0220	set	GASKET KIT, <b>(WITH BUSHINGS)</b> TRANSMISSION **4-SPEED** BIG TWIN 1952-1976 <b>KIT INCLUDES:</b> 9084, 33031-36, 33288-37, 33438-50, 34435-52, 34498-52, 35094-65, 35322-38, 35789-36, 35791-36
L-3-920	33196-79 pk-10	GASKETS, SHAFT COVER, BIG TWIN 1976-1986
L-3-960	33295-36 pk-10	GASKETS, STARTER SIDE COVER, BIG TWIN 1936-1984
L-3-965	34552-52 pk-10	GASKETS, SHIFTER COVER TOP, BIG TWIN 1952-1979
L-3-966	34565-52 pk-10	GASKETS, ADAPTER PLATE, BIG TWIN 1952-1979
L-3-961	34824-36 pk-10	GASKETS, SHIFTER COVER, BIG TWIN 1936-E/1979
L-3-921	34824-79 pk-10	GASKETS, SHIFTER COVER, BIG TWIN L/1979-1985
L-3-973	34825-41 pk-10	GASKETS, GEAR BOX TOP COVER, FORTY-FIVE 1941-1973
L-3-975	34826-41 pk-10	GASKETS, SIDE COVER, FORTY-FIVE 1941-1973
L-3-890	34901-79 pk-5	GASKETS, OUTER PRIMARY COVER, <b>(W/SILICONE BEAD)</b> BIG TWIN 1980-'84 <b>*JAMES*</b>
L-3-891	34901-79B pk-5	GASKETS, OUTER PRIMARY COVER, <b>(WITH SILICONE BEAD)</b> BIG TWIN 1980-1984
L-3-892	34901-85 pk-5	GASKETS, OUTER PRIMARY COVER, <b>(W/SILICONE BEAD)</b> BIG TWIN 1985-'93 <b>*JAMES*</b>
L-3-893	34901-94 pk-5	GASKETS, OUTER PRIMARY COVER, <b>(WITH SILICONE BEAD)</b> BIG TWIN 1994-2006
L-3-894	34901-07A pk-5	GASKETS, OUTER PRIMARY COVER, <b>**FOAMET MATERIAL**</b> BIG TWIN 2007-PRES.
L-3-895	34902-79 pk-10	GASKETS, INNER CHAIN HOUSING, BIG TWIN 1984-1980
L-3-896	34903-79 pk-10	GASKETS, CHAIN HOUSING TO TRANSMISSION, BIG TWIN 1980-1984
L-3-885	34906-79 pk-10	GASKETS, INSPECTION COVER, BIG TWIN 1980-1984
L-3-877	34906-79A pk-5	GASKETS, INSPECTION COVER, <b>(WITH SILICONE BEAD)</b> BIG TWIN 1980-1984
L-3-878	34906-85 pk-10	GASKETS, INSPECTION COVER, BIG TWIN 1985-PRESENT
L-3-1023	34917-90 pk-10	GASKETS, TOP COVER, **5-SPEED DYNA** BIG TWIN 1991-PRESENT
L-3-860	34952-52 pk-10	GASKETS, PRIMARY COVER, (.030 THICK) <b>**JAMES**</b> SPORTSTER 1952-1969
L-3-861	34952-52A pk-10	GASKETS, PRIMARY COVER, (.030 THICK) <b>**JAMES**</b> SPORTSTER 1952-1969
L-3-862	34955-67 pk-10	GASKETS, PRIMARY COVER, SPORTSTER 1967-1976
L-3-864	34955-75 pk-10	GASKETS, PRIMARY COVER, SPORTSTER 1977-1990
L-3-865	34955-89 pk-10	GASKETS, PRIMARY COVER, SPORTSTER 1991-PRESENT
54-7100	34955-04 pk-5	GASKETS, PRIMARY COVER, <b>(WITH SILICONE BEAD)</b> SPORTSTER 2004-PRES.
L-3-868	35169-52 pk-10	GASKETS, MAINSHAFT OIL SEAL RETAINER, SPORTSTER 1952-1985
L-3-967	35231-36 pk-10	GASKETS, MAINSHAFT OIL SEAL, <b>**CORK**</b> BIG TWIN 1936-1977
L-3-742	35607-73 pk-10	GASKETS, SPEEDOMETER DRIVE PLATE HOLE, BIG TWIN 1973-1977
L-3-899	35652-79A pk-10	GASKETS, BEARING HOUSING, **5-SPEED** BIG TWIN 1980-1998
47-0654	35653-98 pk-10	GASKETS, BEARING HOUSING, <b>(WITHOUT SILICONE BEAD)</b> BIG TWIN 1999-2006
L-3-968	36025-36 pk-10	GASKETS, COUNTERSHAFT END COVER, BIG TWIN 1936-1964
L-3-897	36801-79 pk-10	GASKETS, RIGHT SIDE COVER, **5-SPEED** BIG TWIN 1980-1986
L-3-900	36801-87A pk-10	GASKETS, RIGHT SIDE COVER, **5-SPEED** BIG TWIN 1987-PRESENT
47-0707	36821-68 pk-10	GASKETS, KICK STARTER PLUG HOLE, BIG TWIN 1968-1980
L-3-866	37762-52 pk-10	GASKETS, CLUTCH COVER, SPORTSTER 1954-1970
L-3-980	43570-35 pk-10	CORK WASHER, (SMALL) FRONT & REAR WHEELS, <b>**STAR HUB**</b> BIG TWIN 1935-1966
L-3-981	43571-35 pk-10	CORK WASHER, (LARGE) FRONT & REAR WHEELS, <b>**STAR HUB**</b> BIG TWIN 1935-1966
L-3-982	43576-35 pk-10	GASKETS, STAR HUB WHEEL COVER, BIG TWIN 1935-1966
L-3-985	45850-48 pk-10	FELT WASHER, UPPER FORK LEG, BIG TWIN 1949-1977

**\*\*CONTINUED NEXT PAGE\*\***



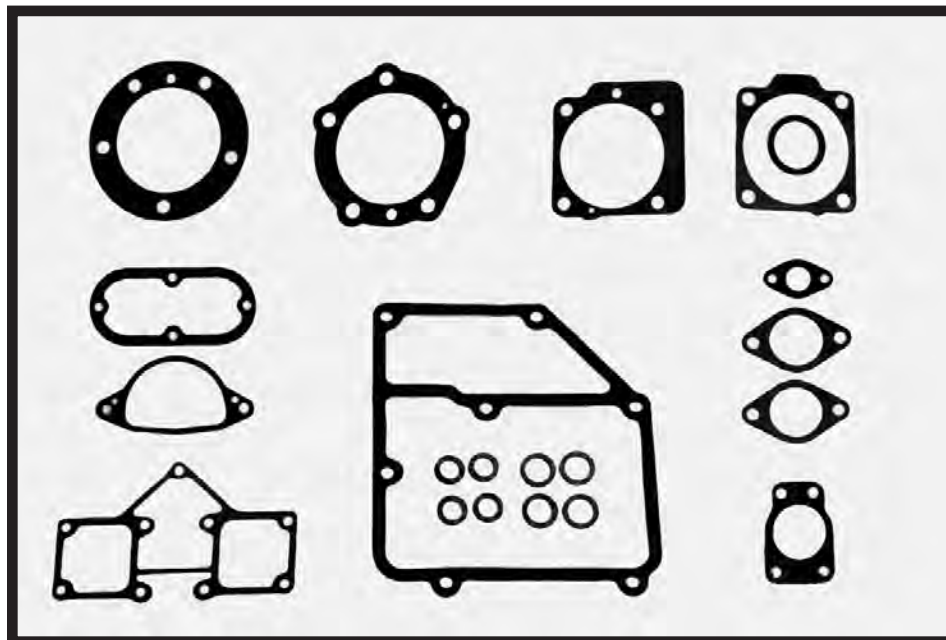
# **\*\*EASTERN MOTORCYCLE PARTS\*\***

## **\*\*GASKETS\*\***

### **\*\*BIG TWIN/SPORTSTER/FORTY-FIVE\*\***

#### **\*\*MASTER LIST\*\***

<u>EASTERN NUMBER</u>	<u>REPLACES OEM</u>	<u>DESCRIPTION</u>
L-3-986	46111-48 pk-10	GASKETS, DAMPER TUBES, BIG TWIN 1949-1977
L-3-987	46125-48 pk-10	GASKETS, DAMPER BUSHING TUBE, BIG TWIN 1949-1977
L-3-875	60518-65 pk-10	GASKETS, STARTER HOLE COVER, BIG TWIN 1965-1969
L-3-869	60538-81 pk-10	GASKETS, OUTER PRIMARY COVER, <b>**9-HOLE**</b> BIG TWIN 1965-1984
L-3-873	60539-86 pk-5	GASKETS, OUTER PRIMARY COVER, (1/16 THICK) <b>**W/OUT SILCON BEAD**</b> B/T '87-'88
L-3-876	60539-89 pk-5	GASKETS, OUTER PRIMARY COVER, (1/16 THICK) <b>**WITH SILCON BEAD**</b> B/T 1989-'94
L-3-889	60539-94 pk-5	GASKETS, OUTER PRIMARY COVER, (1/16 THICK) <b>**WITH SILCON BEAD**</b> B/T 1994-'06
L-3-856	60540-36 pk-10	GASKETS, OUTER PRIMARY COVER, <b>**CORK**</b> BIG TWIN 1936-1964
L-3-872	60540-65A pk-10	GASKETS, OUTER PRIMARY COVER, (1/32 THICK) <b>**8-HOLE**</b> BIG TWIN 1965-1981
L-3-914	60559-80 pk-10	GASKETS, OIL DEFLECTOR PLATE, BIG TWIN 1980-1982
L-3-857	60565-36 pk-10	GASKETS, CLUTCH COVER, <b>**CORK**</b> BIG TWIN 1936-1964
L-3-858	60567-36 pk-10	GASKETS, INSPECTION COVER, <b>**CORK**</b> BIG TWIN 1936-1964, SPORTSTER 1958-'68
L-3-874	60567-65A pk-10	GASKETS, INSPECTION COVER, OUTER PRIMARY, BIG TWIN 1965-1984
54-7180	60567-65B pk-5	GASKETS, INSPECTION COVER, OUTER PRIMARY, <b>**COMETIC**</b> BIG TWIN 1965-1984
L-3-735	60629-55 pk-10	GASKETS, INNER PRIMARY COVER, BIG TWIN 1955-1964
L-3-916	60645-65 pk-10	GASKETS, SOLENOID MOUNTING, BIG TWIN L/1965-1982, SPORTSTER 1967-1980
L-3-1029	62423-90 pk-10	GASKETS, OIL SPOUT, <b>**5-SPEED DYNA**</b> BIG TWIN 1991-PRESENT
L-3-1031	62432-93 pk-10	GASKETS, OIL SPOUT, <b>**5-SPEED FLT**</b> BIG TWIN 1991-2006
M-4-843	65324-83A pk-10	GASKETS, EXHAUST PORT, BIG TWIN 1984-PRESENT, SPORTSTER 1985-PRESENT
M-4-841	65781-82 each	GASKETS, EXHAUST CROSS OVER PIPE, BIG TWIN 1982-PRES., SPORT 1982-PRES.
M-4-846	65834-68 pk-10	GASKETS, EXHAUST PORT, BIG TWIN 1966-1984
M-4-845	65835-86T pk-10	GASKETS, EXHAUST PORT, <b>**WITH COPPER FIRE RING**</b> BIG TWIN 1966-1984
L-3-969	67141-36 pk-10	GASKETS, SPEEDOMETER DRIVE UNIT, BIG TWIN 1936-1964
L-3-970	67142-52 pk-10	GASKETS, VALVE ADJUSTING PLUG, SPORTSTER 1972-1995
L-6-029A	68122-55 pk-10	GASKETS, TAIL LIGHT LENS, BIG TWIN 1955-1972, SPORTSTER 1956-1972
48-0199	68123-73 pk-10	GASKETS, TAIL LIGHT LENS, <b>**JAMES**</b> BIG TWIN 1973-1999, SPORTSTER 1973-1998
L-3-1027	68123-73 pk-10	GASKETS, TAIL LIGHT LENS, BIG TWIN 1973-1999, SPORTSTER 1973-1994



# **\*\*EASTERN MOTORCYCLE PARTS\*\***

## **\*\*GASKETS\*\***

### **\*\*BIG TWIN/SPORTSTER/FORTY-FIVE\*\***

#### **\*\*MASTER LIST\*\***

<b><u>EASTERN NUMBER</u></b>	<b><u>REPLACES OEM</u></b>	<b><u>DESCRIPTION</u></b>
<b>**TRANSMISSION GASKET KITS**</b>		
M-4-847A	kit	GASKET KIT <b>**WITH SEALS**</b> (4-SPEED) BIG TWIN 1936-1964 <b>KIT INCLUDES: (1ea) 33295-36, 34552-52, 34565-52, 34824-36, 35230-39, 35231-36, 36025-36, 67141-36</b>
M-4-849	kit	SEAL KIT, (SEAL, CORK & KEY) BIG TWIN 1936-1979 <b>KIT INCLUDES: (1ea) 35175-38, 35230-39, 35231-36</b>
M-4-850	kit	GASKET KIT <b>**GASKETS ONLY**</b> (5-SPEED) BIG TWIN 1980-1999 <b>KIT INCLUDES: (10ea)</b>
M-4-851	kit	GASKET KIT <b>**WITH SEALS**</b> (5-SPEED) BIG TWIN 1980-1984 <b>KIT INCLUDES: (1ea) 11165, 12043, 12044, 34904-79, 35652-79, 36801-79</b>
M-4-852	kit	GASKET KIT <b>**WITH SEALS**</b> (5-SPEED) BIG TWIN 1984-1999 <b>KIT INCLUDES: (1ea) 12050, 12051, 34904-79, 35652-79, 36801-79</b>
M-4-855	kit	GASKET KIT <b>**WITH SEALS &amp; O-RING**</b> (4-SPEED) BIG TWIN 1980-1981 <b>KIT INCLUDES: (1ea) 11115, 12022, 33196-79, 33295-36, 34824-79, 37741-67</b>
M-4-857	kit	GASKET KIT <b>**WITH SEALS &amp; O-RING**</b> (4-SPEED) BIG TWIN 1982-1984 <b>KIT INCLUDES: (1ea) 11115, 12013A, 33196-79, 33295-36, 34824-79, 37741-82</b>
M-4-862	kit	GASKET KIT <b>**WITH SEALS &amp; O-RING**</b> (4-SPEED) BIG TWIN 1991-1999 <b>KIT INCLUDES: (2) 11105, (1ea) 11131, 12050, 26072-90, 34917-90, 62423-90, 62672-90, 62673-90</b>
15-0220	set	GASKET KIT, <b>(WITH BUSHINGS)</b> TRANSMISSION <b>**4-SPEED**</b> BIG TWIN 1952-1976 <b>KIT INCLUDES: 9084, 33031-36, 33288-37, 33438-50, 34435-52, 34498-52, 35094-65, 35322-38, 35789-36, 35791-36</b>
<b>**OIL PUMP GASKET KITS**</b>		
17-0126		REPAIR KIT, OIL PUMP W/BUSHINGS, SPORTSTER 1977-1982 <b>KIT INCLUDES: (1ea) 12036, 26431-76, 26434-76A, 26489-75, 26495-75, 26497-75</b>
17-0129		REPAIR KIT, OIL PUMP W/BUSHINGS, SPORTSTER 1983-PRESENT <b>KIT INCLUDES: (1ea) 12036A, 26431-76, 26434-76A, 26489-75, 26495-75, 26497-75</b>
17-0151		OIL PUMP KIT, WITH SHAFT / BUSHING / KEYS / RETAINING RINGS, BIG TWIN 1936-1967 <b>KIT INCLUDES: (1) 26346-36, (1) 26340-36, (2) 26348-15, (2) 26348-36, (1) 24641-36</b>
17-0153		OIL PUMP KIT, WITH SHAFT / BUSHING / KEYS / RETAINING RINGS, BIG TWIN 1968-1969 <b>KIT INCLUDES: (1) 26346-68, (1) 26340-36, (2) 26348-15, (2) 26348-36, (1) 24641-36</b>
17-0157		OIL PUMP KIT, WITH SHAFT / BUSHING / KEYS / RETAINING RING, BIG TWIN 1970-PRES <b>KIT INCL: (1) 26346-70, (3) 26348-15, (1) 26348-36, (1) 11002, (1) 24641-36, (1) 26227-58</b>
L-3-933	kit	GASKET & SEAL KIT, OIL PUMP, <b>**MYLAR**</b> BIG TWIN 1968-1980 <b>KIT INCLUDES: 26227-58, 26246-68A, 26258-68B</b>
L-3-934	kit	GASKET & SEAL KIT, OIL PUMP, <b>**PAPER**</b> BIG TWIN 1980-1991 <b>KIT INCLUDES: 26227-58, 26273-80B, 26276-80A</b>
L-3-938	kit	GASKET & SEAL KIT, OIL PUMP, SPORTSTER 1954-1976 <b>KIT INCLUDES: 26227-58, 26256-52, 26258-52, 26259-52</b>
L-3-939	kit	GASKET & SEAL KIT, OIL PUMP, SPORTSTER 1977-1982 <b>KIT INCLUDES: 12036, 26495-75</b>
L-3-939A	kit	GASKET & SEAL KIT, OIL PUMP, SPORTSTER 1983-PRESENT <b>KIT INCLUDES: 12036A, 26495-75</b>
<b>**UMBRELLA VALVES**</b>		
A-26856-89	26856-89	pk-10 UMBRELLA VALVE, ROCKER COVER, BIG TWIN 1993-1999, SPORTSTER 1991-P.
A-26858-99	26858-99	pk-10 UMBRELLA VALVE, ROCKER COVER, BAFFLE BREATHER, BIG TWIN 1999-2010

**\*\*CONTINUED NEXT PAGE\*\***

# **\*\*EASTERN MOTORCYCLE PARTS\*\***

## **\*\*GASKETS\*\***

### **\*\*BIG TWIN/SPORTSTER/FORTY-FIVE\*\***

#### **\*\*MASTER LIST\*\***

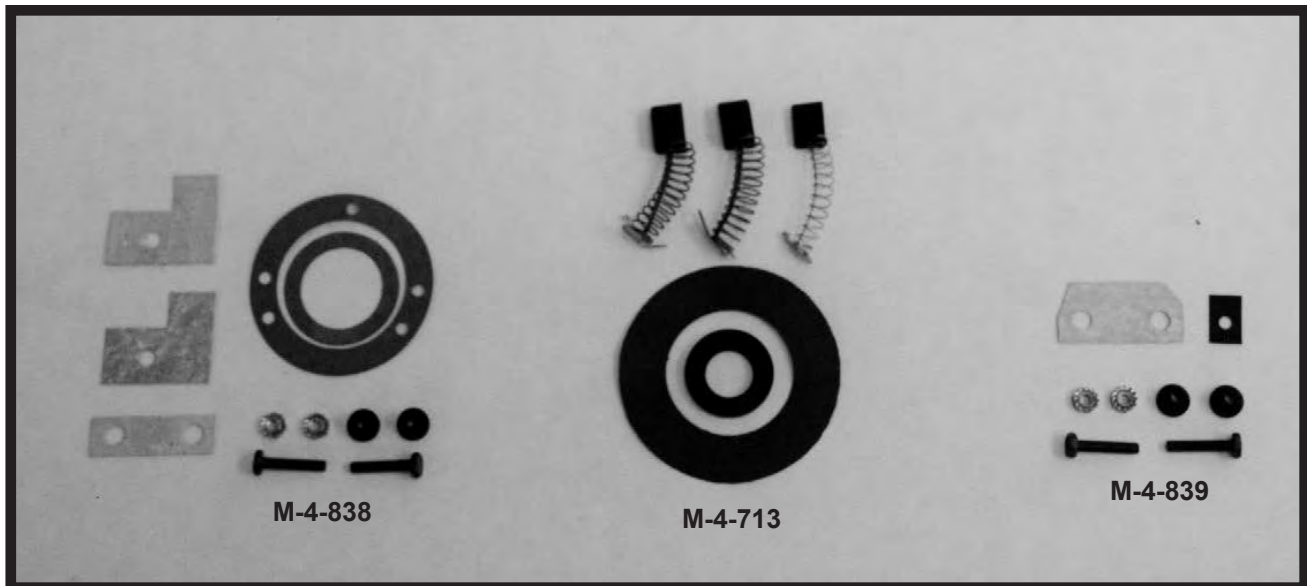
##### **\*\*GENERATOR GASKET KITS\*\***

M-4-713	kit	GASKET & SEAL KIT, (6 VOLT, 32E) <b>**3-BRUSH**</b> BIG TWIN 1932-1957, SPORT. 1952-1957 <b>KIT INCLUDES: (1ea) 30143-30, 30145-46A, 30425-32</b>
M-4-715	kit	GASKET & SEAL KIT, (6 VOLT, 52E) <b>**3-BRUSH**</b> BIG TWIN 1952-1957, SPORT. 1952-1957 <b>KIT INCLUDES: (1ea) 30143-30, 30145-46A, 30425-51</b>
M-4-717	kit	GASKET & SEAL KIT, (6 VOLT, #61) <b>**2-BRUSH**</b> BIG TWIN 1958-1964, SPORT. 1958-1964 <b>KIT INCLUDES: (1ea) 12002, 30143-58, 30145-46A, 30426-58</b>
M-4-719	kit	GASKET & SEAL KIT, (12 VOLT, #65) <b>**2-BRUSH**</b> BIG TWIN 1965-1969, SP. 1965-1981 <b>KIT INCLUDES: (1ea) 30143-58, 30145-46A, 30426-58</b>
M-4-838	kit	GASKET KIT, GENERATOR (32,32E,52,52K) <b>**3-BRUSH**</b> B/T 1932-1957, SP. 1952-1957 <b>KIT INCLUDES: (2) 2690W, (2) 6186,30463-32, (2) 7220, (1) 30138-30, (1) 31015-30, (2) 30228-32, (1) 30373-51</b>
M-4-839	kit	GASKET KIT, GENERATOR (58,61,65,65A) <b>**2-BRUSH**</b> B/T 1958-1969, SP. 1958-1981 <b>KIT INCLUDES: (2) 2690W, (2) 6186,30463-32, (2) 7220, (1) 31097-58, (1) 31098-58</b>

##### **\*\*PRIMARY COVER GASKET KITS\*\***

L-3-855	kit	PRIMARY COVER, <b>**CORK**</b> BIG TWIN 1936-1964 (1ea) 60540-36, 60565-36, 60567-36
L-3-870	kit	PRIMARY COVER, BIG TWIN 1965-1981 (10ea) 25416-65,60518-65,60540-65,60567-65
L-3-880	kit	PRIMARY COVER, BIG TWIN 1981-1984 (10ea) 25416-70, 34901-79, 34906-79

L-3-910	kit	GASKET KIT, STARTER SHAFT HOUSING, BIG TWIN 1982-PRESENT <b>KIT INCLUDES: (10ea) 31320-80, 31321-80</b>
M-4-848	kit	GASKETS AND CORKS, FRONT & REAR WHEELS, BIG TWIN 1936-1966 <b>KIT INCLUDES: (1ea) 43570-35, 43571-35, 43576-35</b>

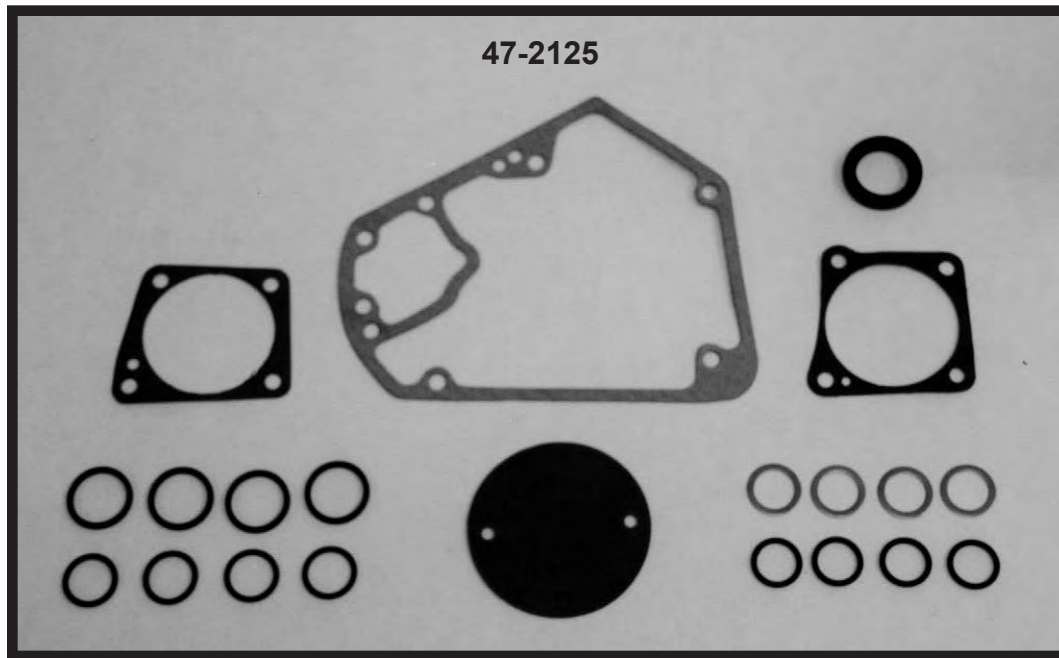


# **\*\*EASTERN MOTORCYCLE PARTS\*\***

## **\*\*GASKET KITS\*\***

### **\*\*CAM REPLACEMENT\*\***

#### **\*\*BIG TWIN 1936-PRESENT\*\***



<u>EASTERN NUMBER</u>	<u>REPLACES OEM</u>	<u>DESCRIPTION</u>
47-2111	kit-20	GASKET KIT, CAM REPLACEMENT, **KNUCKLEHEAD** BIG TWIN 1936-1947 KIT INCLUDES: (4) 6762B, (12) 17955-36, (2) 18632-36, (1) 25225-36, (1) 32521-36
47-2113	kit-21	GASKET KIT, CAM REPLACEMENT, **PANHEAD** BIG TWIN 1948-1965 KIT INCLUDES: (4) 6762B, (1) 11101, (8) 17955-36, (4) 17955-48, (1) 18633-48, (1) 18634-48, (1) 25225-36, (1) 32521-36
47-2117	kit-20	GASKET KIT, CAM REPLACEMENT, **SHOVELHEAD** BIG TWIN 1966-1969 KIT INCLUDES: (4) 6762B, (1) 11101, (8) 17955-36, (4) 17955-48, (1) 18633-48, (1) 18634-48, (1) 25225-36
47-2121	kit-21	GASKET KIT, CAM REPLACEMENT, **SHOVELHEAD** BIG TWIN 1970-E/1979 KIT INCLUDES: (4) 6762B, (8) 17955-36, (4) 17955-48, (1) 18633-48, (1) 18634-48, (1) 25225-70, (1) 32591-70A, (1) 83162-51
47-2125	kit-21	GASKET KIT, CAM REPLACEMENT, **SHOVELHEAD** BIG TWIN L/1979-E/1981 KIT INCLUDES: (4) 6762B, (4) 11101, (4) 11132, (4) 11133A, (1) 18633-48, (1) 18634-48, (1) 25225-70A, (1) 32591-70, (1) 83162-51
47-2127	kit-25	GASKET KIT, CAM REPLACEMENT, **SHOVELHEAD** BIG TWIN L/1981-1984 KIT INCLUDES: (4) 6736, (4) 6762B, (4) 11118, (4) 11132, (4) 11133A, (1) 18633-48, (1) 18634-48, (1) 25225-70A, (1) 32591-70, (1) 83162-51
47-2131	kit-25	GASKET KIT, CAM REPLACEMENT, **EVOLUTION** BIG TWIN 1984-1992 KIT INCLUDES: (4) 6737, (4) 6762B, (4) 11132, (4) 11145, (4) 11157, (1) 18633-48, (1) 18634-48, (1) 25225-70A, (1) 32591-80, (1) 83162-51
47-2135	kit-25	GASKET KIT, CAM REPLACEMENT, **EVOLUTION** BIG TWIN 1993-1998 KIT INCLUDES: (4) 6737, (4) 6762B, (4) 11132, (4) 11145, (4) 11157, (1) 18633-48, (1) 18634-48, (1) 25225-93B, (1) 32591-80, (1) 83162-51
47-2144	17045-99 kit-23	GASKET KIT, CAM REPLACEMENT, **2-CAM** BIG TWIN 1999-PRESENT KIT INCLUDES: (1) 601, (2) 11031, (4) 11132, (4) 11145, (1) 11286, (5) 11293, (1) 11298, (1) 11301, (1) 11494, (2) 18635-99, (1) 25244-99

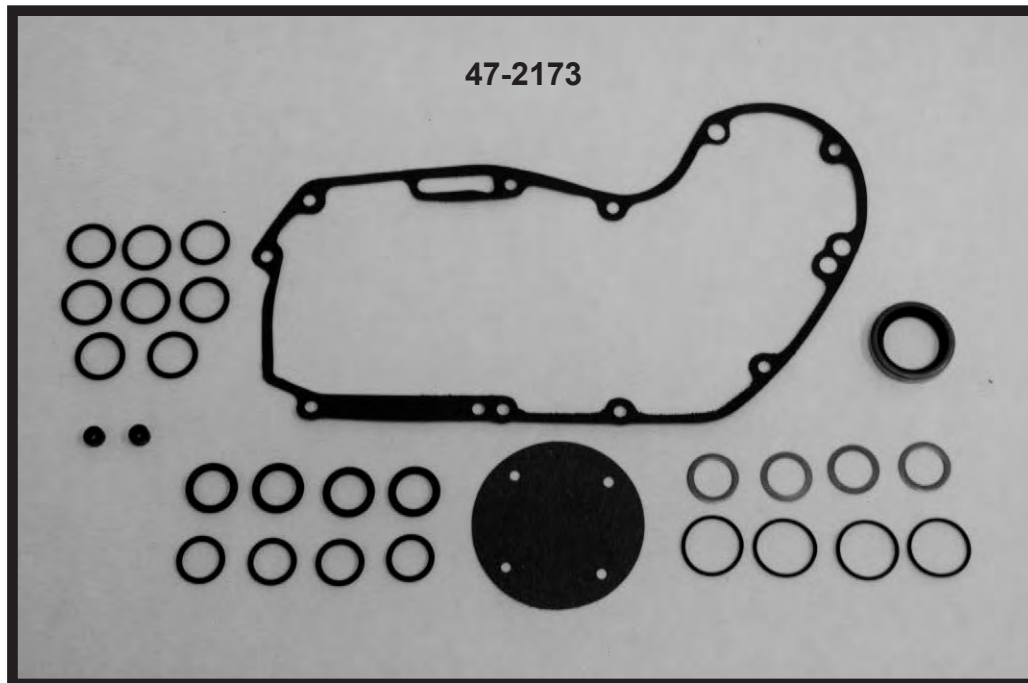


# **\*\*EASTERN MOTORCYCLE PARTS\*\***

## **\*\*GASKET KITS\*\***

### **\*\*CAM REPLACEMENT\*\***

#### **\*\*SPORTSTER 1952-PRESENT\*\***



#### **EASTERN NUMBER**

#### **REPLACES OEM**

#### **DESCRIPTION**

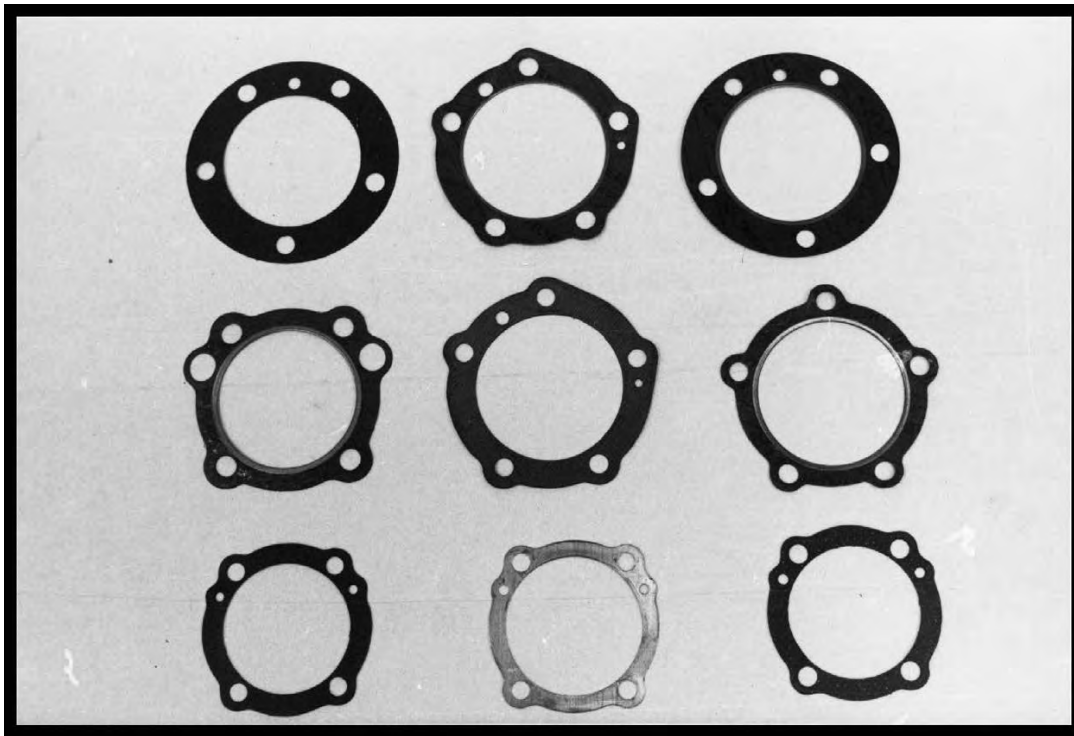
47-2161	kit-15	GASKET KIT, CAM REPLACEMENT, **K & KH** SPORTSTER 1952-1956 KIT INCLUDES: (4) 18259-52, (4) 18266-52, (4) 18631-52, (1) 25224-52, (1) 25811-11, (1) 32522-37
47-2163	kit-27	GASKET KIT, CAM REPLACEMENT, **XL, XLH, XLCH** SPORTSTER 1957-1970 KIT INCLUDES: (4) 6762B, (4) 11100, (1) 11102, (1) 12023, (12) 17955-36, (1) 25224-52, (1) 32522-37, (1) 25811-11, (2) 63529-57
47-2167	kit-25	GASKET KIT, CAM REPLACEMENT, **XL, XLH, XLS** SPORTSTER 1971-E/1979 KIT INCLUDES: (4) 6762B, (4) 11100, (1) 11124, (12) 17955-36, (1) 25224-52, (1) 25811-11, (2) 63529-57
47-2171	kit-25	GASKET KIT, CAM REPLACEMENT, **XL, XLH, XLS** SPORTSTER L/1979-1981 KIT INCLUDES: (4) 6762B, (4) 11100, (4) 11101, (1) 11124, (8) 11132, (1) 25224-52, (1) 32591-80, (2) 63529-57
47-2173	kit-29	GASKET KIT, CAM REPLACEMENT, **XL, XLH, XLS, XLX** SPORTSTER 1982-1985 KIT INCLUDES: (4) 6762B, (4) 11100, (8) 11101, (1) 11124, (4) 11132, (4) 11157, (1) 25263-81, (1) 32591-80, (2) 63529-57
47-2175	kit-31	GASKET KIT, CAM REPLACEMENT, **883, 1100, 1200 C/C** SPORTSTER 1986-1990 KIT INCLUDES: (4) 6762B, (4) 11110, (1) 11124, (4) 11132, (4) 11145, (4) 11157, (4) 11167A, (4) 11168A, (1) 25263-86, (1) 32591-80
47-2179	kit-23	GASKET KIT, CAM REPLACEMENT, **883, 1100, 1200 C/C** SPORTSTER 1991-PRESENT KIT INCLUDES: (4) 6099, (4) 6771A, (1) 11124, (4) 11176, (4) 11190, (4) 17944-89, (1) 25263-90, (1) 32591-80

# **\*\*EASTERN MOTORCYCLE PARTS\*\***

## **\*\*HEAD GASKETS\*\***

### **\*\*BIG TWIN-SPORTSTER\*\***

### **\*\*FORTY-FIVE\*\***



#### **EASTERN NUMBER**

#### **REPLACES OEM**

#### **DESCRIPTION**

<b><u>EASTERN NUMBER</u></b>	<b><u>REPLACES OEM</u></b>	<b><u>DESCRIPTION</u></b>
47-0104	11-30 pair	HEAD GASKETS, <b>**BLUE TEFLON** .062 THICK</b> , BIG TWIN 1930-1935
L-3-651	16664-86 pair	HEAD GASKETS, <b>**W/COPPER FIRE RING** 1/16 THICK</b> , SPORTSTER 1986-P.
L-3-649	16664-86T pair	HEAD GASKETS, <b>**BLUE TEFLON** .043 THICK</b> , SPORTSTER 1986-PRESENT
L-3-653	16665-86 pair	HEAD GASKETS, <b>**W/COPPER FIRE RING** .043 THICK</b> , SPORTSTER 1986-1987
L-3-654	16665-86 pair	HEAD GASKETS, <b>**BLUE TEFLON** .043 THICK</b> , SPORTSTER 1986-1987
L-3-848	16768-39 pair	HEAD GASKETS, <b>**SOLID COPPER** FLATHEAD</b> , FORTY-FIVE 1939-1973
L-3-849	16769-36 pair	HEAD GASKETS, <b>**BLUE TEFLON** 74 &amp; 80" FLATHEAD</b> , BIG TWIN 1936-1948
L-3-850	16769-36 pair	HEAD GASKETS, <b>**SOLID COPPER**74 &amp; 80" FLATHEAD</b> , BIG TWIN 1936-1948
L-3-842	16769-57 pair	HEAD GASKETS, <b>**BLUE TEFLON** SPORTSTER 1957-E/1971</b>
L-3-843C	16769-57 pair	HEAD GASKETS, <b>**SOLID COPPER** .020 THICK</b> , SPORTSTER 1957-E/1971
L-3-843	16769-57 pk-10	HEAD GASKETS, <b>**GRAPHITE** SPORTSTER 1957-E/1971</b>
L-3-844	16769-72A pair	HEAD GASKETS, <b>**SOLID COPPER** SPORTSTER L/1971-E/1973</b>
L-3-844A	16769-72A pair	HEAD GASKETS, <b>**BLUE TEFLON** SPORTSTER L/1971-E/1973</b>
L-3-673	16769-72A pair	HEAD GASKETS, <b>**FIRE RING** 1/16" THICK</b> , SPORTSTER 1973-1985
L-3-845	16769-73 pair	HEAD GASKETS, <b>**SOLID COPPER** SPORTSTER L/1973-1985</b>
L-3-846	16769-73 pair	HEAD GASKETS, <b>**BLUE TEFLON** SPORTSTER L/1973-1985</b>
L-3-845A	16769-82 pair	HEAD GASKETS, <b>**SOLID COPPER** .045 THICK</b> , SPORTSTER 1973-1985
L-3-675	16770-36 pair	HEAD GASKETS, <b>**FIRE RING** 1/16" THICK</b> , KNUCKLEHEAD, BIG TWIN 1936-1947
L-3-851	16770-36 pair	HEAD GASKETS, <b>**BLUE TEFLON** KNUCKLEHEAD</b> , BIG TWIN 1936-1947
L-3-852	16770-36 pair	HEAD GASKETS, <b>**SOLID COPPER** KNUCKLEHEAD</b> , BIG TWIN 1936-1947

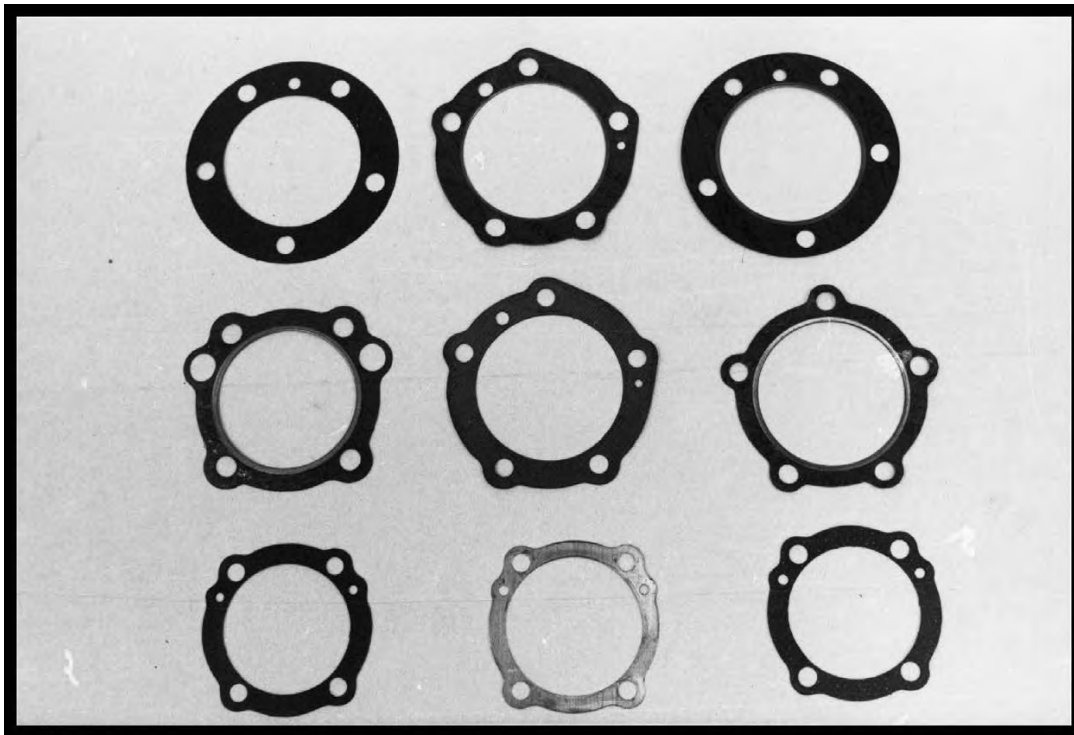
**\*\*CONTINUED NEXT PAGE\*\***

# **\*\*EASTERN MOTORCYCLE PARTS\*\***

## **\*\*HEAD GASKETS\*\***

### **\*\*BIG TWIN-SPORTSTER\*\***

### **\*\*FORTY-FIVE\*\***



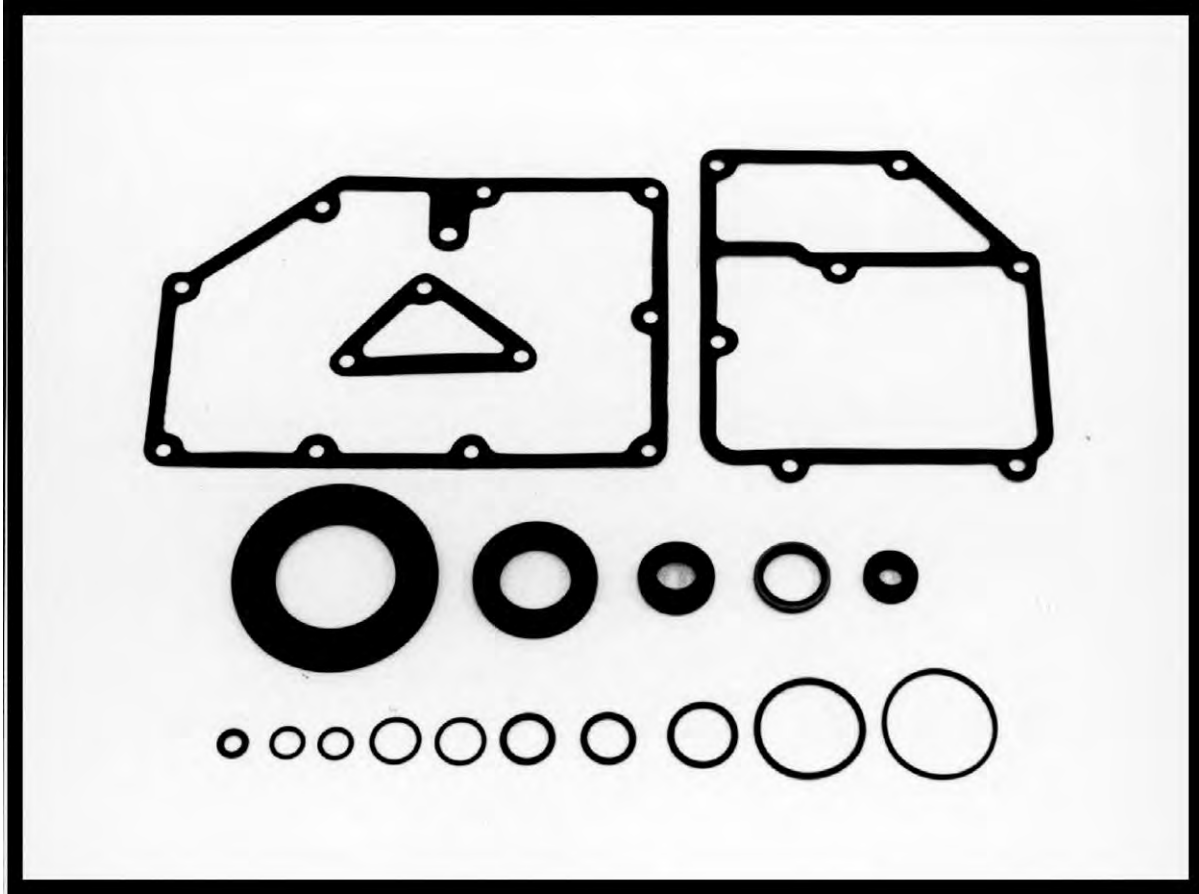
<u>EASTERN NUMBER</u>	<u>REPLACES OEM</u>	<u>DESCRIPTION</u>
L-3-677	16770-48	pair HEAD GASKETS, <b>**FIRE RING** 1/16" THICK</b> , BIG TWIN 1948-1965
L-3-840	16770-48	pair HEAD GASKETS, <b>**BLUE TEFLON**</b> BIG TWIN 1948-1965
L-3-840A	16770-48C	pair HEAD GASKETS, <b>**SOLID COPPER** .040 THICK</b> , BIG TWIN 1948-1965
L-3-840B	16770-48C	pair HEAD GASKETS, <b>**SOLID COPPER** .021 THICK</b> , BIG TWIN 1948-1965
L-3-679	16770-66B	pair HEAD GASKETS, <b>**FIRE RING** 1/16" THICK</b> (1200 & 1340 C/C) BIG TWIN 1966-1984
L-3-841	16770-66B	pair HEAD GASKETS, <b>**BLUE TEFLON**</b> (1200 & 1340 C/C) BIG TWIN 1966-1984
L-3-841A	16770-66B	pair HEAD GASKETS, <b>**GRAPHITE**</b> (1200 & 1340 C/C) BIG TWIN 1966-1984
L-3-841C	16770-66B	pair HEAD GASKETS, <b>**SOLID COPPER** .031 THICK</b> (1200 & 1340 C/C) BIG TWIN 1966-1984
L-3-854	16770-84	pair HEAD GASKETS, <b>**BLUE TEFLON** .062 THICK</b> (1200 & 1340) BIG TWIN 1984-1999 HEAD GASKETS, <b>**BLUE TEFLON** .062 THICK</b> SPORTSTER 1988-PRES.
L-3-657	16770-84D	pair HEAD GASKETS, <b>**FIRE RING** .062 THICK</b> (1200 & 1340) BIG TWIN 1984-1999, SPORTSTER 1988-PRESENT
L-3-659	16773-85	pair HEAD GASKETS, <b>**FIRE RING** .045 THICK</b> (1200 & 1340) BIG TWIN 1984-1999, SPORTSTER 1988-1990
47-0135	16775-99	pair HEAD GASKETS, <b>**FIRE RING** 1/16" THICK</b> (1450 C/C) BIG TWIN 1999-PRESENT
47-0137	16775-99	pair HEAD GASKETS, <b>**BLUE TEFLON** .043 THICK</b> (1450 C/C) BIG TWIN 1999-PRESENT
47-0145	16787-99	pair HEAD GASKETS, <b>**FIRE RING** 1/16" THICK</b> (1550 C/C) BIG TWIN 1999-PRESENT
47-0147	16787-99	pair HEAD GASKETS, <b>**BLUE TEFLON** .043 THICK</b> (1550 C/C) BIG TWIN 1999-PRESENT
L-3-509	pk-10	GASKETS, CYLINDER BASE, <b>**FRONT &amp; REAR**</b> (BIG BORE 3-5/8") BIG TWIN 1966-1984
L-3-510		GASKETS, <b>**SPECIAL** CYLINDER BASE WITH GRAPHITE HEAD GASKET</b> (BIG BORE 3-5/8") BIG TWIN 1966-1984
L-3-511		GASKETS, <b>**SPECIAL** CYLINDER BASE WITH BLUE TEFLON HEAD GASKET</b> (BIG BORE 3-5/8") BIG TWIN 1966-1984
L-3-512		GASKETS, <b>**SPECIAL** CYLINDER BASE W/TEFLON &amp; FIRE RING HEAD GASKET</b> (BIG BORE 3-5/8") BIG TWIN 1966-1984

# **\*\*EASTERN MOTORCYCLE PARTS\*\***

## **\*\*TRANSMISSION GASKET SETS\*\***

**\*\*COMPLETE\*\***

**\*\*BIG TWIN-SPORTSTER\*\***



### **EASTERN'S GASKET KITS INCLUDE ALL GASKETS, SEALS AND O-RINGS FOR THE MODELS LISTED BELOW**

<b><u>EASTERN NUMBER</u></b>	<b><u>REPLACES OEM</u></b>	<b><u>DESCRIPTION</u></b>
L-3-430	33030-41	GASKET SET, (COMPLETE) **G, W, WL** FORTY-FIVE 1941-1973 <b>**MADE IN U.S.A.**</b>
L-3-431	33030-41	GASKET SET, (COMPLETE) **G, W, WL** FORTY-FIVE 1941-1973 <b>**IMPORTED**</b>
M-4-847A	33031-36	GASKET SET, (COMPLETE) **4-SPEED** (FL, FLH) BIG TWIN 1936-1964
L-3-435	33031-65A	GASKET SET, (COMPLETE) **4-SPEED** (FL, FX, FLH) BIG TWIN 1965-1969
L-3-437	33031-70	GASKET SET, (COMPLETE) **4-SPEED** (FL, FLH, FX) BIG TWIN 1970-1979
L-3-440	33031-80	GASKET SET, (COMPLETE) **4-SPEED** (FLH-80, FX) BIG TWIN L/1979-1986
L-3-445	33031-82	GASKET SET, (COMPLETE) **5-SPEED** (FLT, FLHT) BIG TWIN 1980-1984
L-3-450	33031-85	GASKET SET, (COMPLETE) **5-SPEED** (ALL MODELS) BIG TWIN 1985-1992
L-3-451	33031-85	GASKET SET, (COMPLETE) **5-SPEED** (ALL MODELS EXCEPT DYNA)BIG TWIN 1985-P.
L-3-453	33031-91	GASKET SET, (COMPLETE) **5-SPEED** (FXDB-S) BIG TWIN 1991-PRESENT
L-3-461	33031-99	GASKET SET, (COMPLETE) **5-SPEED** (DYNA) BIG TWIN 1999-PRESENT <b>**ATHENA**</b>
L-3-466	33032-99	GASKET SET, (COMPLETE) **5-SPEED** (FLT) BIG TWIN 1999-PRESENT <b>**ATHENA**</b>
47-1810		GASKET SET, (COMPLETE) **5-SPEED** (SOFTAIL) BIG TWIN 1999-PRESENT
15-0220	set	GASKET KIT, (WITH BUSHINGS) TRANSMISSION **4-SPEED** BIG TWIN 1952-1976 <b>KIT INCLUDES:</b> 9084, 33031-36, 33288-37, 33438-50, 34435-52, 34498-52, 35094-65, 35322-38, 35789-36, 35791-36

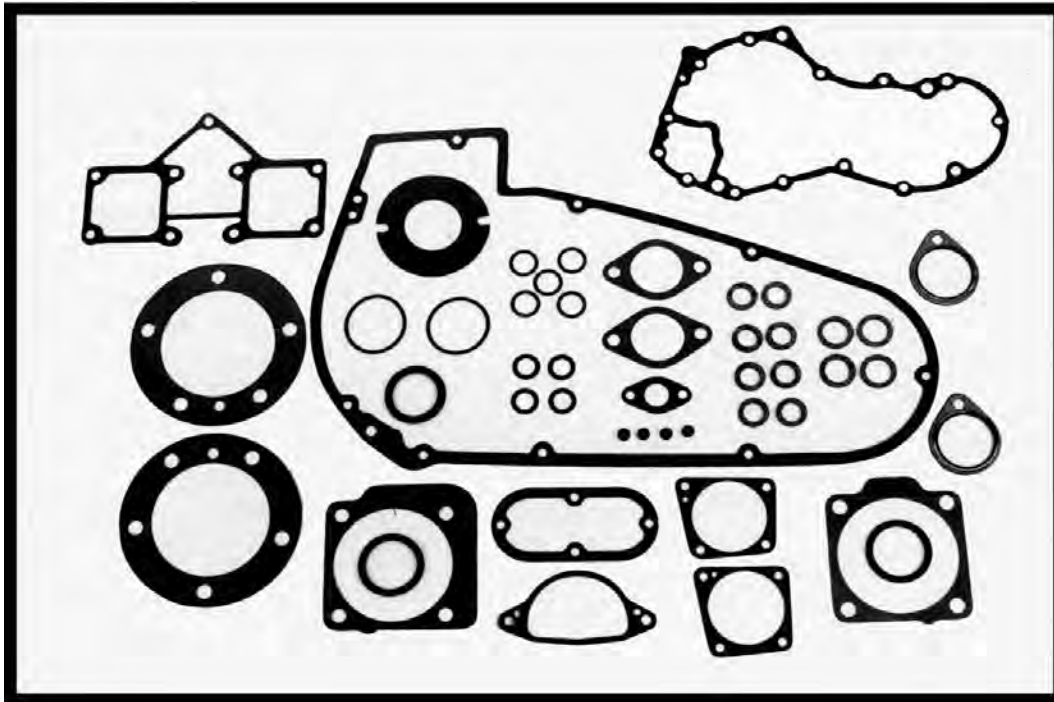


# **\*\*EASTERN MOTORCYCLE PARTS\*\***

## **\*\*MOTOR GASKET SETS\*\***

**\*\*COMPLETE\*\***

**\*\*BIG TWIN-SPORTSTER\*\***



**OIL PUMP GASKETS, SEALS & O-RINGS ARE NOT SHOWN  
BUT ARE INCLUDED IN GASKET SETS**

<b><u>EASTERN NUMBER</u></b>	<b><u>REPLACES OEM</u></b>	<b><u>DESCRIPTION</u></b>
48-0300	17026-40	GASKET SET, MOTOR <b>**W/TEFLON HEAD GASKET**</b> FORTY-FIVE 1940-73 <b>*JAMES*</b>
48-0305	17026-40	GASKET SET, MOTOR <b>**W/COPPER HEAD GASKET**</b> FORTY-FIVE 1940-73 <b>*JAMES*</b>
L-3-207	17027-36	GASKET SET, MOTOR <b>**W/TEFLON HEAD GASKET**</b> BIG TWIN 1936-1948 <b>*ATHENA*</b>
L-3-208	17027-36	GASKET SET, MOTOR <b>**W/COPPER HEAD GASKET**</b> BIG TWIN 1936-1948 <b>*ATHENA*</b>
L-3-210	17026-52	GASKET SET, MOTOR <b>**W/OUT HEAD GASKET**</b> 45" K-MODEL, SP. 1952-1956 <b>*ATHENA*</b>
48-0310	17026-71A	GASKET SET, MOTOR <b>**W/TEFLON HEAD GASKET**</b> SPORTSTER 1957-1971 <b>*JAMES*</b>
48-0312	17026-71A	GASKET SET, MOTOR <b>**W/COPPER HEAD GASKET**</b> SPORTSTER 1957-1981 <b>*JAMES*</b>
48-0316	17026-72	GASKET SET, MOTOR <b>**W/COPPER HEAD GASKET**</b> SPORTSTER 1972-1973 <b>*JAMES*</b>
48-0318	17026-72	GASKET SET, MOTOR <b>**W/COPPER HEAD GASKET**</b> SPORTSTER 1972-1973 <b>*JAMES*</b>
48-0320	17026-73	GASKET SET, MOTOR <b>**W/TEFLON HEAD GASKET**</b> SPORTSTER 1973-1985 <b>*JAMES*</b>
48-0322	17026-73	GASKET SET, MOTOR <b>**W/COPPER HEAD GASKET**</b> SPORTSTER 1973-1985 <b>*JAMES*</b>
L-3-285	17026-75R	GASKET SET, MOTOR <b>**WITHOUT HEAD GASKET**</b> SPORTSTER 1972-1978 <b>*EASTERNS*</b>
L-3-225	17026-79	GASKET SET, MOTOR <b>**W/TEFLON HEAD GASKET**</b> SPORTSTER 1977-1981
L-3-226	17026-79	GASKET SET, MOTOR <b>**W/COPPER HEAD GASKET**</b> SPORTSTER 1977-1981
L-3-230	17026-82	GASKET SET, MOTOR <b>**W/TEFLON HEAD GASKET**</b> SPORTSTER 1982-1985
48-0328	17026-83	GASKET SET, MOTOR <b>**WITHOUT HEAD GASKET**</b> SPORTSTER 1983-1984 <b>*JAMES*</b>
L-3-228	17026-86	GASKET SET, MOTOR <b>**W/FIRE RING HEAD GASKET**</b> 883 C/C, SPORTSTER 1986-1990
L-3-232	17026-86A	GASKET SET, MOTOR <b>**W/FIRE RING HEAD GASKET**</b> 1100 C/C, SPORTSTER 1986-1987

**\*\*CONTINUED NEXT PAGE\*\***

**\*5120 HILDA ROAD\* BLACKVILLE, S.C. 29817\* 803-284-3304\***

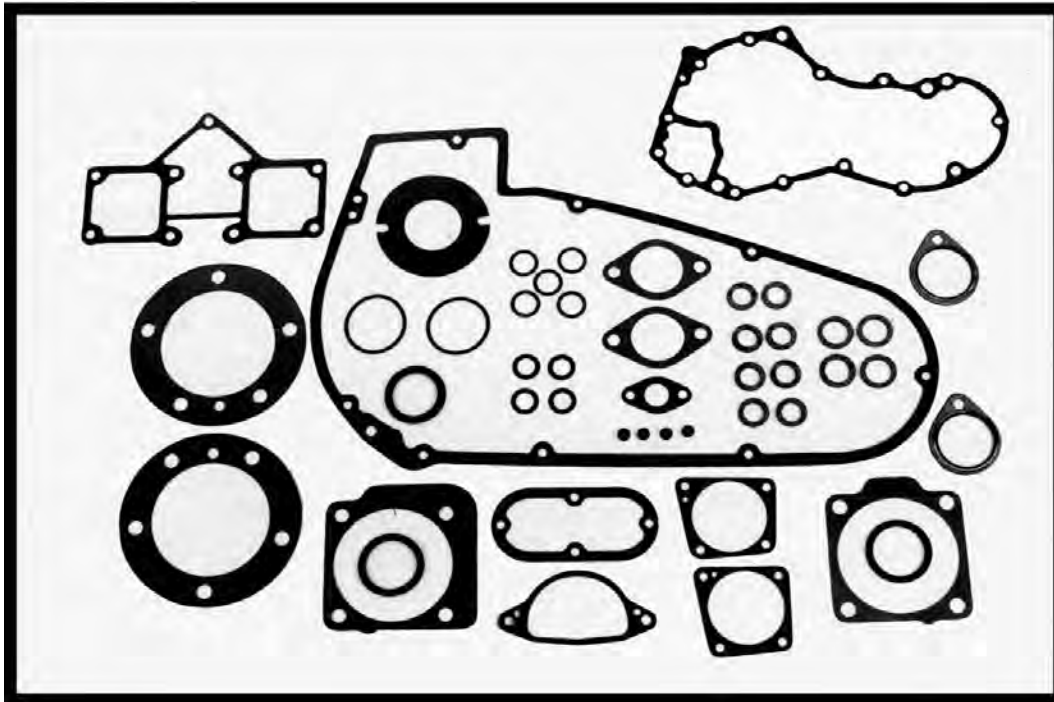
**\*Pg 437\***

# **\*\*EASTERN MOTORCYCLE PARTS\*\***

## **\*\*MOTOR GASKET SETS\*\***

**\*\*COMPLETE\*\***

**\*\*BIG TWIN-SPORTSTER\*\***



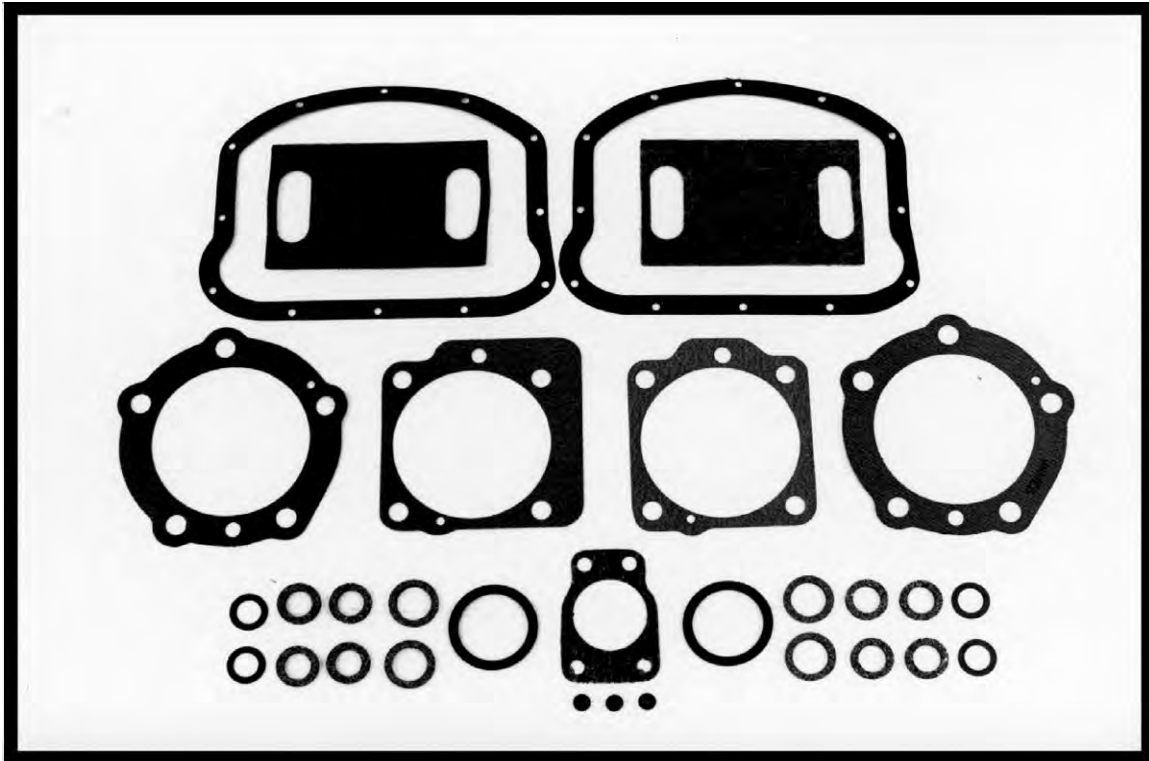
**OIL PUMP GASKETS, SEALS & O-RINGS ARE NOT SHOWN  
BUT ARE INCLUDED IN GASKET SETS**

<u>EASTERN NUMBER</u>	<u>REPLACES OEM</u>	<u>DESCRIPTION</u>
54-8010	17026-88	GASKET SET, MOTOR <b>**W/TEFLON HEAD GASKET**</b> 1200 C/C, SP. 1988-1990 <b>*ATHENA*</b>
54-8000	17026-91	GASKET SET, MOTOR <b>**W/TEFLON HEAD GASKET**</b> 883 C/C, SP. 1991-2003 <b>*ATHENA*</b>
L-3-234	17028-36	GASKET SET, MOTOR <b>**W/FIRE RING HEAD GASKET**</b> BIG TWIN 1936-1947 <b>*ATHENA*</b>
L-3-235	17028-36	GASKET SET, MOTOR <b>**W/TEFLON HEAD GASKET**</b> BIG TWIN 1936-1947 <b>*ATHENA*</b>
L-3-236	17028-36	GASKET SET, MOTOR <b>**W/COPPER HEAD GASKET**</b> BIG TWIN 1936-1947 <b>*ATHENA*</b>
48-0350	17028-48	GASKET SET, MOTOR <b>**W/TEFLON HEAD GASKET**</b> BIG TWIN 1948-1965 <b>*JAMES*</b>
48-0352	17028-48	GASKET SET, MOTOR <b>**W/COPPER HEAD GASKET**</b> BIG TWIN 1948-1965 <b>*JAMES*</b>
48-0354	17028-48	GASKET SET, MOTOR <b>**W/FIRE RING HEAD GASKET**</b> BIG TWIN 1948-1965 <b>*JAMES*</b>
L-3-243	17029-66A	GASKET SET, MOTOR <b>**W/TEFLON HEAD GASKET**</b> BIG TWIN 1966-1969
L-3-244	17029-66A	GASKET SET, MOTOR <b>**W/FIRE RING HEAD GASKET**</b> BIG TWIN 1966-1969
L-3-245	17029-66A	GASKET SET, MOTOR <b>**W/GRAPHITE HEAD GASKET**</b> BIG TWIN 1966-1969
L-3-246	17029-66A	GASKET SET, MOTOR <b>**W/COPPER HEAD GASKET**</b> BIG TWIN 1966-1969 <b>*EASTERNS*</b>
48-0370	17029-70F	GASKET SET, MOTOR <b>**W/FIRE RING HEAD GASKET**</b> BIG TWIN 1966-1984 <b>JAMES</b>
48-0372	17029-70T	GASKET SET, MOTOR <b>**W/TEFLON HEAD GASKET**</b> BIG TWIN 1966-1984 <b>*JAMES*</b>
48-0374	17029-70C	GASKET SET, MOTOR <b>**W/COPPER HEAD GASKET**</b> BIG TWIN 1966-1984 <b>*JAMES*</b>
L-3-250	17029-80	GASKET SET, MOTOR <b>**W/FIRE RING HEAD GASKET**</b> BIG TWIN 1980-1984
L-3-252	17029-80	GASKET SET, MOTOR <b>**W/TEFLON HEAD GASKET**</b> BIG TWIN 1980-1984 <b>*EASTERNS*</b>
L-3-254	17029-80	GASKET SET, MOTOR <b>**W/COPPER HEAD GASKET**</b> BIG TWIN 1980-1984 <b>*EASTERNS*</b>
L-3-260	17035-83A	GASKET SET, MOTOR <b>**W/FIRE RING HEAD GASKET**</b> BIG TWIN 1984-1986
L-3-267	17035-84	GASKET SET, MOTOR <b>**W/FIRE RING HEAD GASKET**</b> BIG TWIN 1984-1999 <b>*ATHENA*</b>
48-0390	17041-92A	GASKET SET, MOTOR <b>**W/TEFLON HEAD GASKET**</b> BIG TWIN 1992-99 <b>*JAMES*</b>
48-0392	17041-92A	GASKET SET, MOTOR <b>**W/FIRE RING HEAD GASKET**</b> BIG TWIN 1992-99 <b>*JAMES*</b>

# **\*\*EASTERN MOTORCYCLE PARTS\*\***

## **\*\*TOP END GASKET SETS\*\***

### **\*\*BIG TWIN-SPORTSTER\*\***



<b>EASTERN NUMBER</b>	<b>REPLACES OEM</b>	<b>DESCRIPTION</b>
L-3-379	17027-04	GASKET SET, <b>**W/FIRE RING HEAD GASKET**</b> (1200 C/C) SPORT. 2004-PRES. *ATHENA*
L-3-340	17030-57	GASKET SET, <b>**W/GRAPHITE HEAD GASKET**</b> SPORTSTER 1957-1971
L-3-341	17030-57	GASKET SET, <b>**W/BLUE TEFLON HEAD GASKET**</b> SPORTSTER 1957-1971 *ATHENA*
L-3-342	17030-57	GASKET SET, <b>**W/COPPER HEAD GASKET**</b> SPORTSTER 1957-1971 *ATHENA*
L-3-345	17030-72	GASKET SET, <b>**W/GRAPHITE HEAD GASKET**</b> SPORTSTER 1972-E/1973 *EASTERNS*
L-3-346	17030-72	GASKET SET, <b>**W/BLUE TEFLON HEAD GASKET**</b> SPORTSTER 1972-E/1973 *EASTERNS*
L-3-347	17030-72	GASKET SET, <b>**W/COPPER HEAD GASKET**</b> SPORTSTER 1972-E/1973 *EASTERNS*
L-3-350	17030-73	GASKET SET, <b>**W/GRAPHITE HEAD GASKET**</b> SPORTSTER L/1973-1978 *JAMES*
L-3-351	17030-73	GASKET SET, <b>**W/BLUE TEFLON HEAD GASKET**</b> SPORTSTER L/1973-1978 *EASTERNS*
L-3-352	17030-73	GASKET SET, <b>**W/COPPER HEAD GASKET**</b> (.021 THICK) SPORT. L/1973-1978 EASTERNS
L-3-353	17030-73	GASKET SET, <b>**W/COPPER HEAD GASKET**</b> (.045 THICK) SPORT. L/1973-1978 EASTERNS
L-3-365	17030-86	GASKET SET, <b>**W/FIRE RING HEAD GASKET**</b> (883 C/C) SPORTSTER 1986-1990
L-3-372	17030-88	GASKET SET, <b>**W/FIRE RING HEAD**</b> (1200 C/C) SPORTSTER 1988-1990
L-3-378	17030-88	GASKET SET, <b>**W/FIRE RING HEAD**</b> (1200 C/C) SPORTSTER 1988-1990 *ATHENA*
L-3-302	17031-40	GASKET SET, <b>**W/BLUE TEFLON HEAD GASKET**</b> FORTY-FIVE 1940-1973 *EASTERNS*
L-3-304	17031-40	GASKET SET, <b>**W/COPPER HEAD GASKET**</b> FORTY-FIVE 1940-1973 *EASTERNS
L-3-355	17032-79	GASKET SET, <b>**W/GRAPHITE HEAD GASKET**</b> SPORTSTER 1979-1981 *EASTERNS
L-3-356	17032-79	GASKET SET, <b>**W/BLUE TEFLON HEAD GASKET**</b> SPORTSTER 1979-1981 *EASTERNS
L-3-357	17032-79	GASKET SET, <b>**W/COPPER HEAD GASKET**</b> SPORTSTER 1979-1981 *EASTERNS
L-3-360	17032-82	GASKET SET, <b>**W/GRAPHITE HEAD GASKET**</b> SPORTSTER 1982-1985 *EASTERNS*
L-3-361	17032-82	GASKET SET, <b>**W/BLUE TEFLON HEAD GASKET**</b> SPORTSTER 1982-1985 *EASTERNS*
L-3-362	17032-82	GASKET SET, <b>**W/COPPER HEAD GASKET**</b> SPORTSTER 1982-1985 *EASTERNS*

**\*\*CONTINUED NEXT PAGE\*\***

**\*5120 HILDA ROAD\* BLACKVILLE, S.C. 29817\* 803-284-3304\***

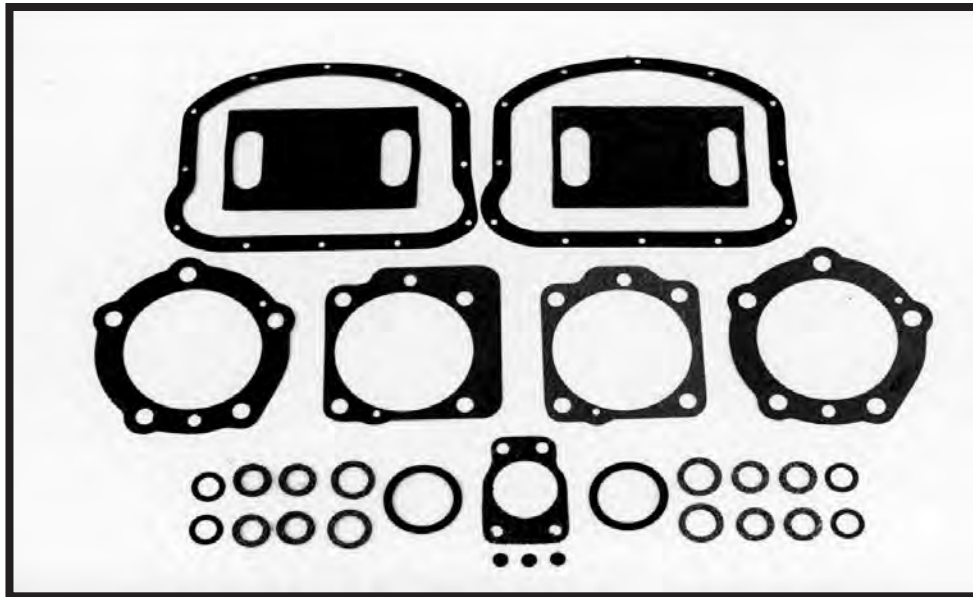
**\*Pg 439\***



# **\*\*EASTERN MOTORCYCLE PARTS\*\***

## **\*\*TOP END GASKET SETS\*\***

### **\*\*BIG TWIN-SPORTSTER\*\***



<u>EASTERN NUMBER</u>	<u>REPLACES OEM</u>	<u>DESCRIPTION</u>
L-3-365	17030-86	GASKET SET, **W/FIRE RING HEAD GASKET** (883 C/C) SPORTSTER 1986-1990
54-8200	17030-86	GASKET SET, **W/TEFLON HEAD GASKET** (883 C/C) SPORTSTER 1986-1990 *ATHENA*
L-3-370	17030-86	GASKET SET, **W/FIRE RING HEAD GASKET** (1100 C/C) SPORTSTER 1986-1988
L-3-371	17032-86A	GASKET SET, **W/TEFLON HEAD GASKET** (1100 C/C) SPORTSTER 1986-1990
54-8220	17032-86B	GASKET SET, **W/TEFLON HEAD GASKET** (883 C/C) SPORTSTER 1991-2003 *ATHENA*
L-3-380	17032-91	GASKET SET, **W/FIRE RING HEAD GASKET** (1200 C/C) SPORT. 1991-2003 *ATHENA*
L-3-308	17033-36	GASKET SET, **W/TEFLON HEAD GASKET** "74 & 80" BIG TWIN 1936-1948 *ATHENA*
L-3-309	17033-36	GASKET SET, **W/COPPER HEAD GASKET** "74 & 80" BIG TWIN 1936-1948 *ATHENA*
48-0436	17033-83A	GASKET SET, **W/TEFLON HEAD GASKET** BIG TWIN 1984-1991 **JAMES**
48-0438	17033-83A	GASKET SET, **W/FIRE RING HEAD GASKET** BIG TWIN 1984-1991 **JAMES**
L-3-325	17033-83A	GASKET SET, **W/GRAPHITE HEAD GASKET** BIG TWIN 1984-1991 EASTERN
L-3-326	17033-83A	GASKET SET, **W/TEFLON HEAD GASKET** BIG TWIN 1984-1991 *EASTERN*
L-3-327	17033-83A	GASKET SET, **W/FIRE RING HEAD GASKET** BIG TWIN 1984-1991 *EASTERN*
L-3-310	17034-38	GASKET SET, **W/TEFLON HEAD GASKET** BIG TWIN 1936-1947 *ATHENA*
L-3-311	17034-38	GASKET SET, **W/COPPER HEAD GASKET** BIG TWIN 1936-1947 *ATHENA*
L-3-312	17034-38	GASKET SET, **W/FIRE-RING HEAD GASKET** BIG TWIN 1936-1947 *EASTERNS*
L-3-313	17034-48A	GASKET SET, **W/COPPER HEAD GASKET** BIG TWIN 1948-1965 *EASTERNS*
L-3-314	17034-48A	GASKET SET, **W/FIRE RING HEAD GASKET** BIG TWIN 1948-1965 *EASTERNS*
L-3-315	17034-48A	GASKET SET, **W/TEFLON HEAD GASKET** BIG TWIN 1948-1965 *EASTERNS*
48-0428	17034-66	GASKET SET, **W/TEFLON HEAD GASKET** BIG TWIN 1966-1978 *JAMES*
48-0430	17034-66	GASKET SET, **W/FIRE RING HEAD GASKET** BIG TWIN 1966-1978 *JAMES*
48-0432	17034-66	GASKET SET, **W/COPPER HEAD GASKET** BIG TWIN 1966-1978 *JAMES*
L-3-318	17034-66	GASKET SET, **W/FIRE RING HEAD GASKET** BIG TWIN 1966-1978 *EASTERNS*
L-3-319	17034-66	GASKET SET, **W/TEFLON HEAD GASKET** BIG TWIN 1966-1978 *EASTERNS*
L-3-320	17034-66	GASKET SET, **W/COPPER HEAD GASKET** BIG TWIN 1966-1978 *EASTERNS*
L-3-316	17034-78	GASKET SET, **W/TEFLON HEAD GASKET** BIG TWIN 1978-1984 *EASTERNS*
L-3-317	17034-78	GASKET SET, **W/FIRE RING HEAD GASKET** BIG TWIN 1978-1984 *EASTERNS*
L-3-322	17034-78	GASKET SET, **W/COPPER HEAD GASKET** BIG TWIN 1978-1984 *EASTERNS*
48-0440	17040-92	GASKET SET, **W/TEFLON HEAD GASKET** BIG TWIN 1992-1999 **JAMES**
48-0442	17040-92	GASKET SET, **W/FIRE-RING HEAD GASKET** BIG TWIN 1992-1999 **JAMES**

**\*\*\*COMETIC\*\*\***

**\*\*GASKETS\*\***

- \* COMPLETE MOTOR
- \* COMPLETE TRANSMISSION
- \* COMPLETE TOP END
- \* ROCKER COVER

**\*\*SILICONE BEADED GASKETS\*\***  
**FOR:**

- \* CAM COVER
- \* PRIMARY COVER
- \* INSPECTION COVER

**\*\*SEE PAGE 477 FOR CROSS REFERENCE NUMBERS\*\***

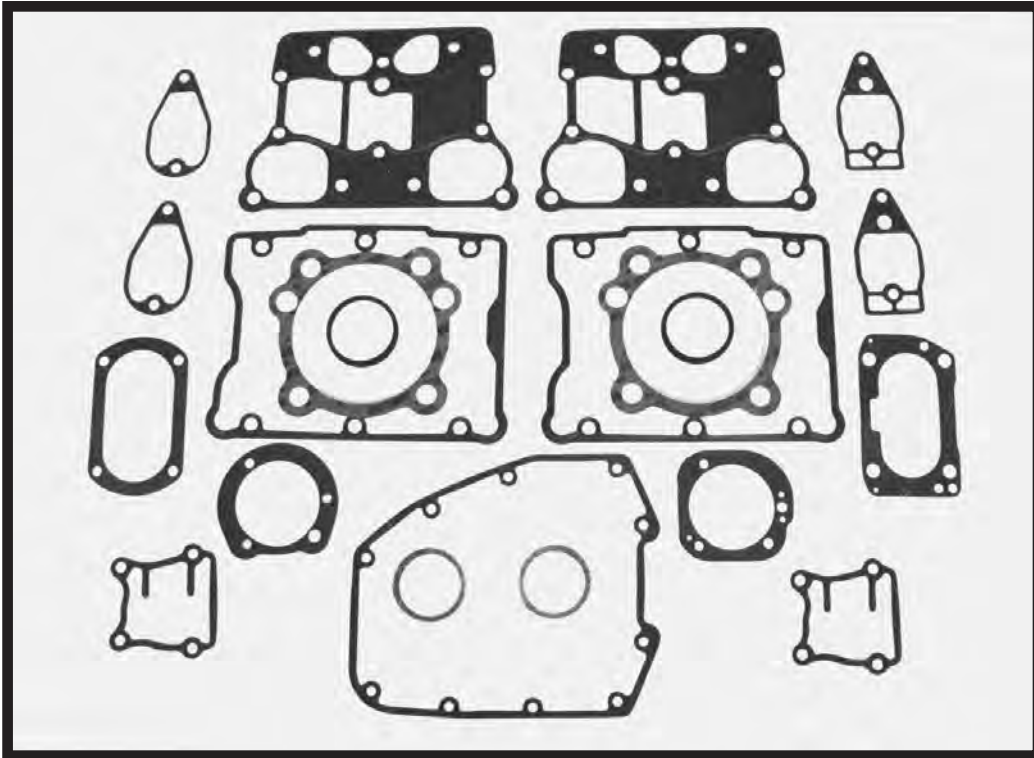
**\*\*FROM COMETIC TO EASTERN\*\***

# **\*\*EASTERN MOTORCYCLE PARTS\*\***

## **\*\*COMETIC GASKET\*\***

### **\*\*TOP END SETS\*\***

### **\*\*BIG TWIN 1966-PRESENT\*\***



**\*\*O-RINGS, SEALS, WASHERS ARE NOT PICTURED BUT ARE INCLUDED IN SETS\*\***

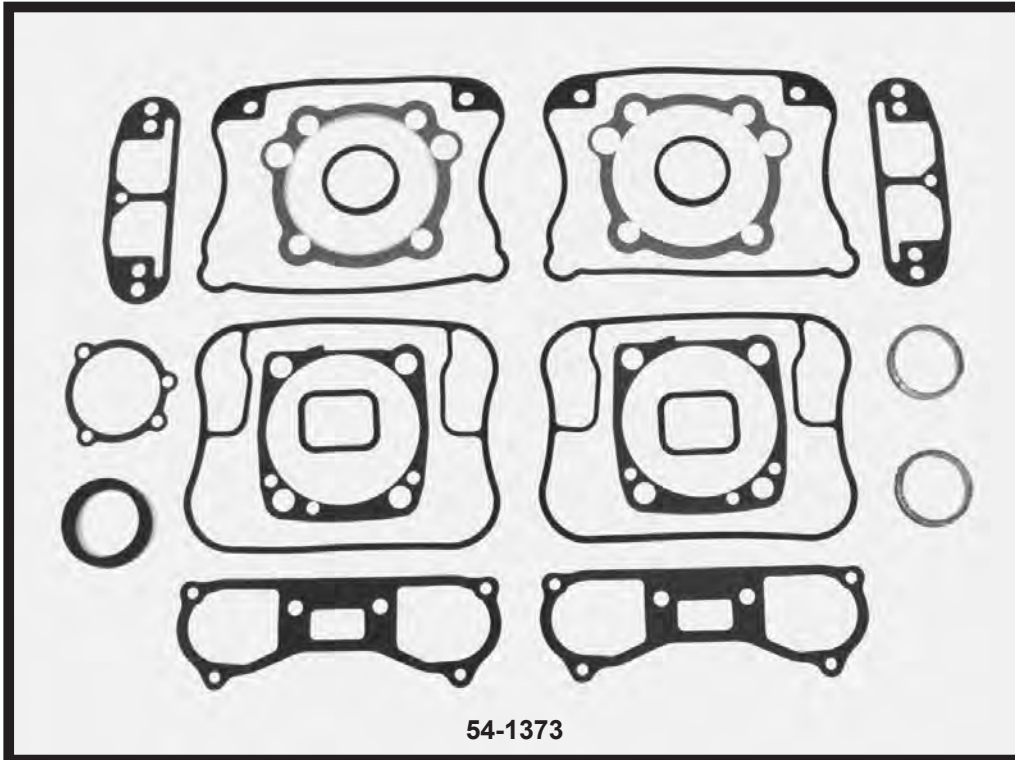
<u>EASTERN NUMBER</u>	<u>REPLACES OEM</u>	<u>DESCRIPTION</u>
54-1056	17040-92A	<b>**BIG TWIN 1340 C/C EVOLUTION**</b> GASKET SET **1340 C/C** BIG TWIN 1992-1999
54-1311		<b>**BIG TWIN 1340 C/C BIG BORE EVOLUTION**</b> GASKET SET **1340 C/C** BIG BORE 3-5/8", BIG TWIN 1992-1999
54-1323		GASKET SET **1340 C/C** BIG BORE 3-13/16", BIG TWIN 1992-1999
54-1321		GASKET SET **1340 C/C** BIG BORE 3-13/16", BIG TWIN 1984-1991
54-1315		GASKET SET **1340 C/C** BIG BORE 3-3/4", BIG TWIN 1984-1991
54-1317		GASKET SET **1340 C/C** BIG BORE 3-3/4", BIG TWIN 1992-1999

# **\*\*EASTERN MOTORCYCLE PARTS\*\***

## **\*\*COMETIC GASKET\*\***

### **\*\*TOP END SETS\*\***

#### **\*\*SPORTSTER 1986-PRESENT\*\***



**\*\*O-RINGS, SEALS, WASHERS ARE NOT PICTURED BUT ARE INCLUDED IN SETS\*\***

<u>EASTERN NUMBER</u>	<u>REPLACES OEM</u>	<u>DESCRIPTION</u>
54-1163	17030-88A	<b>**SPORTSTER 883/1100/1200 C/C EVOLUTION**</b> GASKET SET **1200 C/C** SPORTSTER 1988-1990
54-1361		<b>**SPORTSTER 883/1100/1200 C/C BIG BORE EVOLUTION**</b> GASKET SET **883 C/C** BIG BORE 3-3/4", SPORTSTER 1986-1990
54-1367		GASKET SET **1100 C/C** BIG BORE 3-3/4", SPORTSTER 1986-1987
54-1371		GASKET SET **1200 C/C** BIG BORE 3-3/4", SPORTSTER 1988-1990

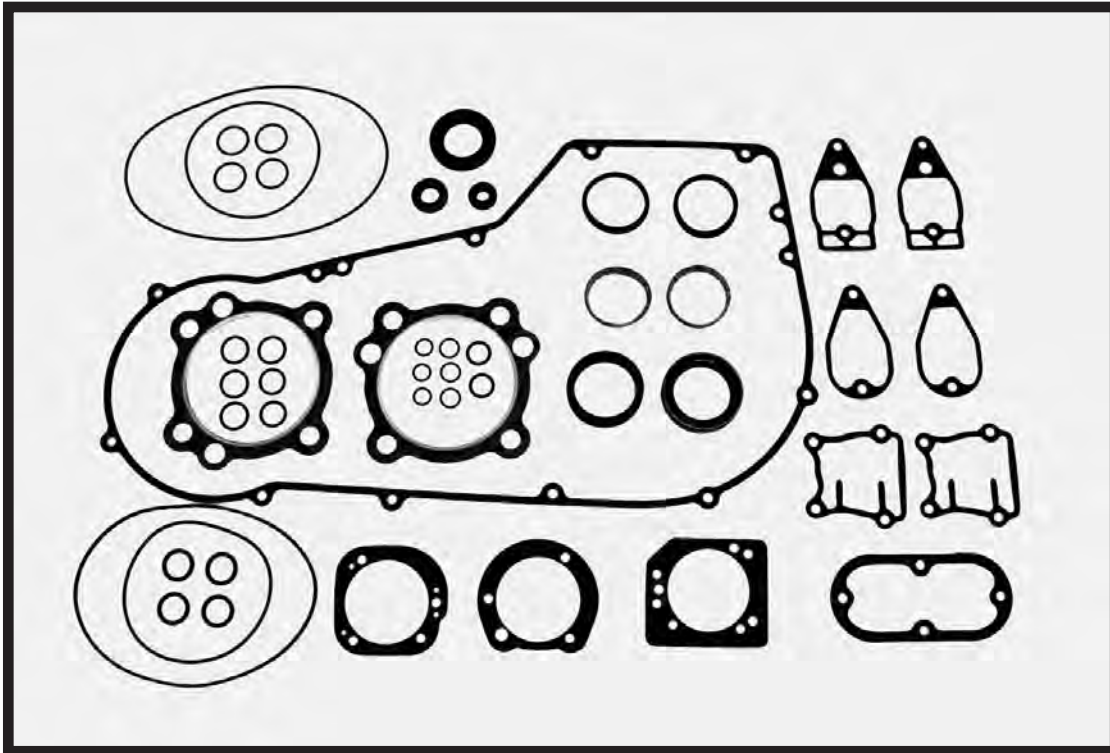


# **\*\*EASTERN MOTORCYCLE PARTS\*\***

## **\*\*COMETIC GASKETS\*\***

### **\*\*MOTOR GASKET SETS\*\***

#### **\*\*BIG TWIN-SPORTSTER\*\***



**\*\*ALL PARTS MAY NOT BE PICTURED BUT ARE INCLUDED IN SETS\*\***

<u>EASTERN NUMBER</u>	<u>REPLACES OEM</u>	<u>DESCRIPTION</u>
		<b>**BIG TWIN 1340 C/C EVOLUTION**</b>
54-1006	17035-83A	GASKET SET (COMPLETE) (4 & 5 SPEED) FXST, FXWG, FXSB, FXEF, BIG TWIN 1984-1988
54-1010	17035-84	GASKET SET (COMPLETE) (5-SPEED) FLT, FXR, BIG TWIN 1984-1991
54-1014	17035-89	GASKET SET (COMPLETE) ALL SOFTAILS, DYNA GLIDE, BIG TWIN 1989-1991
		<b>**SPORTSTER 883/1100/1200 C/C EVOLUTION**</b>
54-1109	17026-91	GASKET SET (COMPLETE) **883 C/C** SPORTSTER 1991-1999
54-1121	17026-88	GASKET SET (COMPLETE) **1200 C/C** SPORTSTER 1988-1990
		<b>**TWIN CAM 88**</b>
54-1028	17053-99	GASKET SET (COMPLETE) **FLT** BIG TWIN 1999-PRESENT

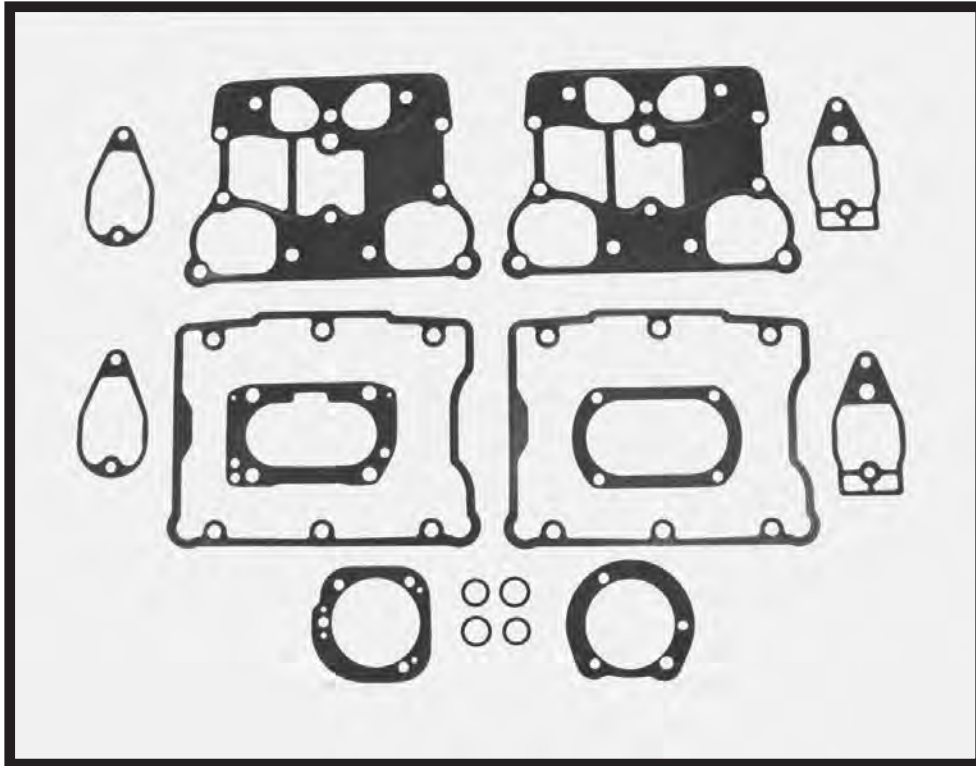


# **\*\*EASTERN MOTORCYCLE PARTS\*\***

## **\*\*COMETIC GASKETS\*\***

### **\*\*ROCKER BOX\*\***

### **\*\*BIG TWIN-SPORTSTER\*\***



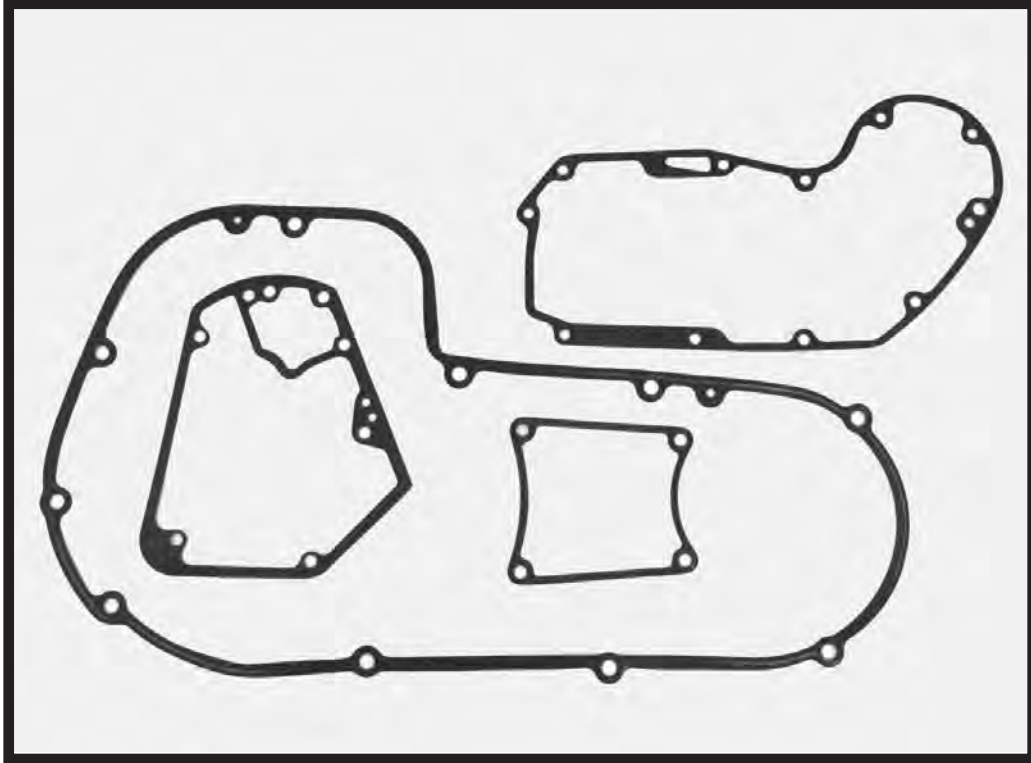
<u>EASTERN NUMBER</u>	<u>REPLACES OEM</u>	<u>DESCRIPTION</u>
		<b>**BIG TWIN 1340 C/C EVOLUTION**</b>
54-1206	17042-92	GASKET SET **1340 C/C** BIG TWIN 1992-1999
	17042-92	GASKET SET **1340 C/C** 3-5/8" BIG BORE, BIG TWIN 1992-1999
54-1202	17038-90	GASKET SET **1340 C/C** (4 & 5 SPEED) FXST, FXWG, FXSB, FXEF, BIG TWIN 1984-1986
	17038-90	GASKET SET **1340 C/C** (5-SPEED) FLT, FXR, BIG TWIN 1984-1991
	17038-90	GASKET SET **1340 C/C** BIG TWIN 1989-1991
	17038-90	GASKET SET **1340 C/C** 3-5/8" BIG BORE, SOFTAILS, DYNA GLIDE, BIG TWIN 1984-1991
		<b>**SPORTSTER 883/1100/1200 C/C EVOLUTION**</b>
54-1224	17030-89	GASKET SET **883 C/C** SPORTSTER 1986-1990
	17030-89	GASKET SET **1100 C/C** SPORTSTER 1986-1987
	17030-89	GASKET SET **1200 C/C** SPORTSTER 1988-1990
54-1228	17030-91	GASKET SET **883 C/C** SPORTSTER 1991-1999
	17030-91	GASKET SET **1200 C/C** SPORTSTER 1991-1999

# **\*\*EASTERN MOTORCYCLE PARTS\*\***

## **\*\*COMETIC GASKETS\*\***

**\*\*WITH SILICONE BEAD\*\***

**\*\*BIG TWIN-SPORTSTER\*\***



**\*\*ALL GASKETS BELOW ARE SILICONE BEADED\*\***

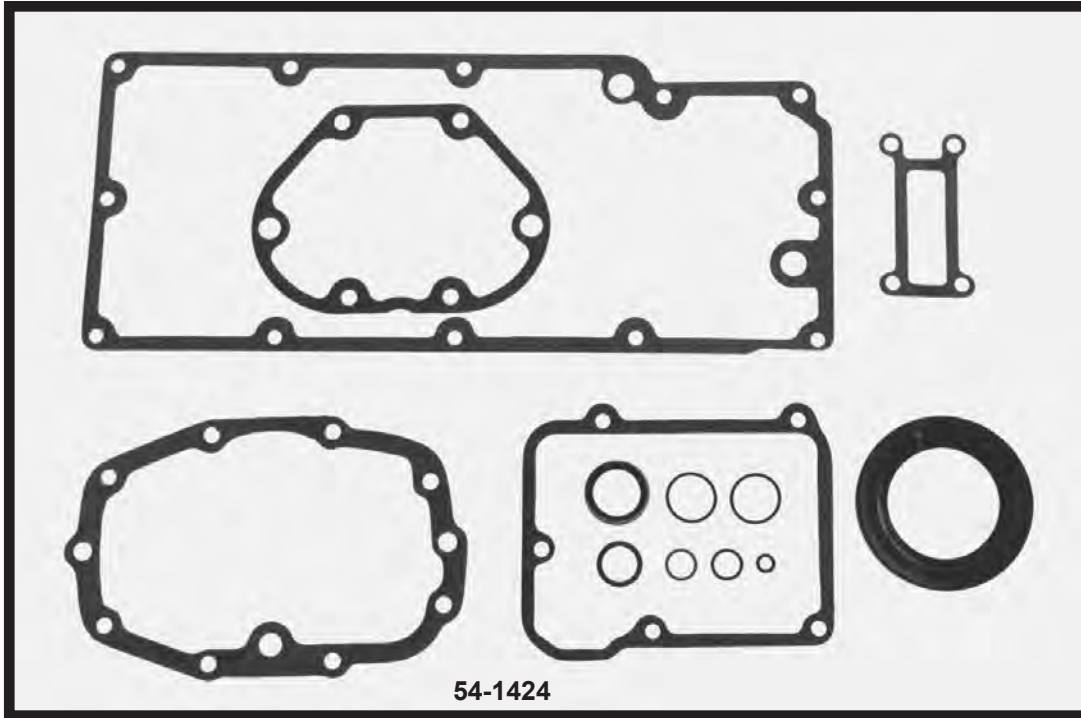
<u>EASTERN NUMBER</u>	<u>REPLACES OEM</u>	<u>DESCRIPTION</u>
54-3480	34901-79A	pk-5 GASKETS, PRIMARY COVER <b>**SILICONE BEADED**</b> BIG TWIN 1980-1984
54-3490	34906-79A	pk-5 GASKETS, INSPECTION COVER <b>**SILICONE BEADED**</b> BIG TWIN 1980-1984
54-3495	34955-75X	pk-5 GASKETS, PRIMARY COVER <b>**SILICONE BEADED**</b> SPORTSTER 1977-1990
54-3497	34955-89A	pk-5 GASKETS, PRIMARY COVER <b>**SILICONE BEADED**</b> SPORTSTER 1991-PRESENT

# **\*\*EASTERN MOTORCYCLE PARTS\*\***

## **\*\*COMETIC GASKETS\*\***

### **\*\*TRANSMISSION\*\***

### **\*\*BIG TWIN-SPORTSTER\*\***



#### **EASTERN NUMBER**

54-1412  
54-1414  
54-1418  
54-1420  
54-1424  
54-1426

#### **REPLACES OEM**

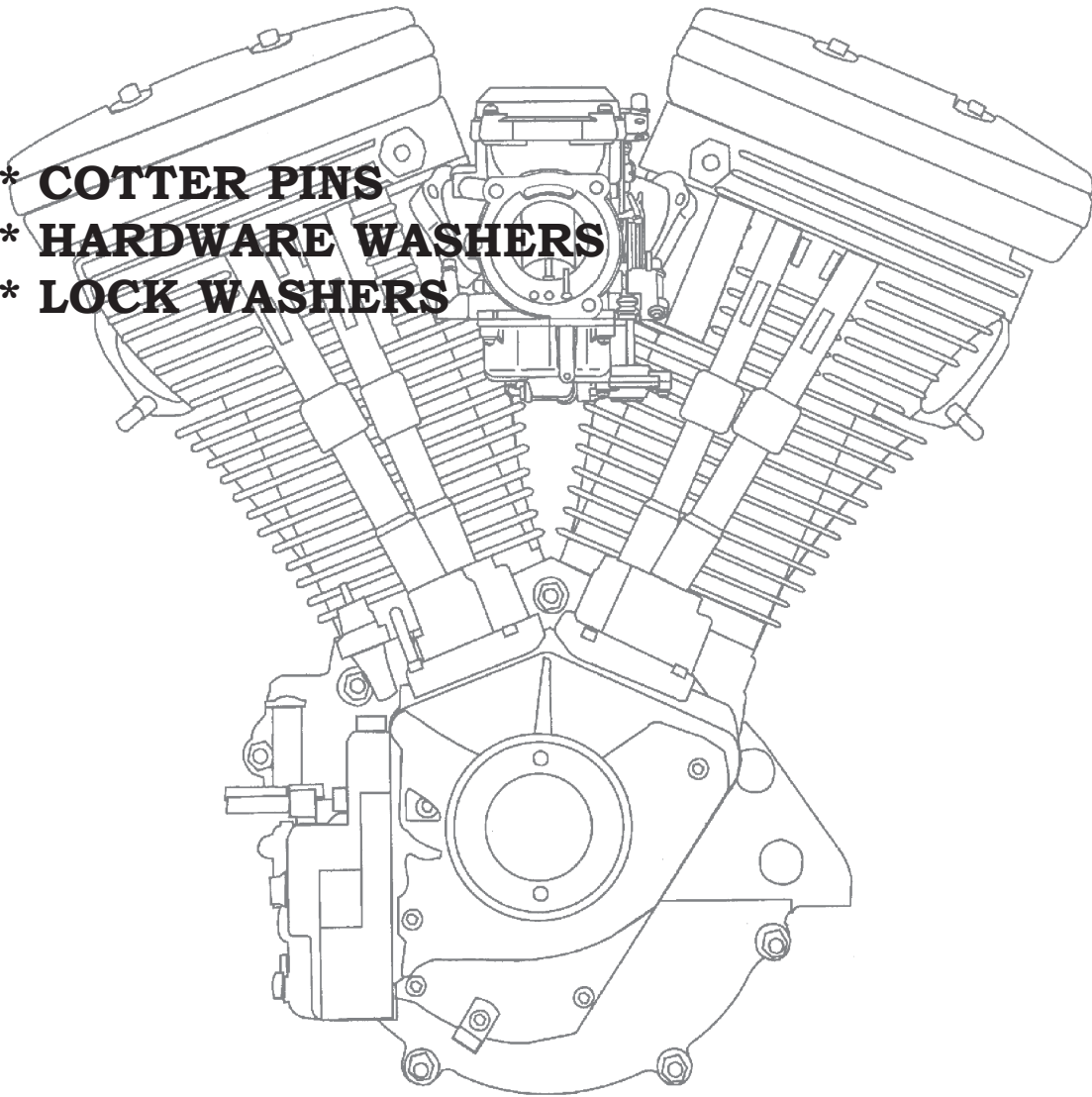
33031-80  
33031-82  
33031-91  
33031-93  
33031-98  
33031-99

#### **DESCRIPTION**

GASKET SET (COMPLETE) **\*\*4-SPEED\*\*** BIG TWIN L/1979-1982  
GASKET SET (COMPLETE) **\*\*5-SPEED\*\*** BIG TWIN 1980-E/1984  
GASKET SET (COMPLETE) (DYNA & FXDB-S) BIG TWIN 1991-1999  
GASKET SET (COMPLETE) (FLT, FXR, DYNA, & SOFTAILS) BIG TWIN 1993-1999  
GASKET SET (COMPLETE) (FLT) BIG TWIN 2000-PRESENT  
GASKET SET (COMPLETE) (DYNA) BIG TWIN 1999-PRESENT

**\*\*HARDWARE\*\***

- \* **COTTER PINS**
- \* **HARDWARE WASHERS**
- \* **LOCK WASHERS**

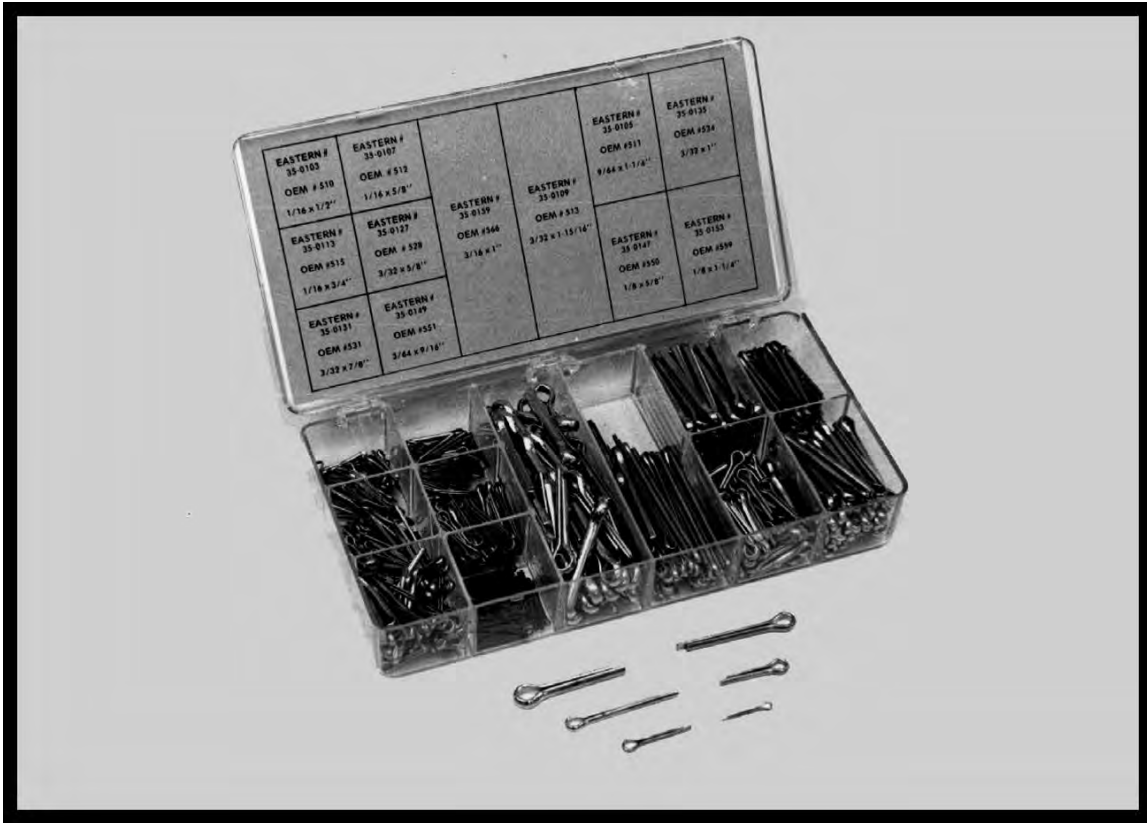


# \*\*EASTERN MOTORCYCLE PARTS\*\*

## \*\*COTTER PINS\*\*

### \*\*BIG TWIN-SPORTSTER\*\*

### \*\*MASTER LISTING\*\*



#### EASTERN NUMBER

#### REPLACES OEM

#### DESCRIPTION

35-0091

COTTER PIN KIT, \*\*CONSISTS OF 12 SIZES\*\* (ZINC PLATED) \*\*50 OF EACH SIZE\*\* (1/16 X 1/2"), (9/64 X 1-1/4"), (1/16 X 5/8"), (3/32 X 1-15/16"), (1/16 X 3/4"), (3/32 X 5/8"), (3/32 X 7/8"), (3/32 X 1"), (1/8 X 5/8"), (3/64 X 5/8"), (1/8 X 1-1/4"), (3/16 X 1")

35-0103

510

pk-100

COTTER PINS, \*\*1/16" X 1/2" LONG\*\*

\*\*ZINC PLATED\*\*

35-0105

511

pk-100

COTTER PINS, \*\*9/64" X 1-1/4" LONG\*\*

\*\*ZINC PLATED\*\*

35-0107

512

pk-100

COTTER PINS, \*\*1/16" X 5/8" LONG\*\*

\*\*ZINC PLATED\*\*

35-0109

513

pk-100

COTTER PINS, \*\*3/32" X 1-15/16" LONG\*\*

\*\*ZINC PLATED\*\*

35-0113

515

pk-100

COTTER PINS, \*\*1/16" X 3/4" LONG\*\*

\*\*ZINC PLATED\*\*

35-0127

528

pk-100

COTTER PINS, \*\*3/32" X 5/8" LONG\*\*

\*\*ZINC PLATED\*\*

35-0131

531

pk-100

COTTER PINS, \*\*3/32" X 7/8" LONG\*\*

\*\*ZINC PLATED\*\*

35-0135

534

pk-100

COTTER PINS, \*\*3/32" X 1" LONG\*\*

\*\*ZINC PLATED\*\*

35-0147

550

pk-100

COTTER PINS, \*\*1/8" X 5/8" LONG\*\*

\*\*ZINC PLATED\*\*

35-0149

551

pk-100

COTTER PINS, \*\*3/64" X 5/8" LONG\*\*

\*\*ZINC PLATED\*\*

35-0153

559

pk-100

COTTER PINS, \*\*1/8" X 1-1/4" LONG\*\*

\*\*ZINC PLATED\*\*

35-0159

566

pk-100

COTTER PINS, \*\*3/16" X 1" LONG\*\*

\*\*ZINC PLATED\*\*

35-0163

pk-100

COTTER PINS, \*\*1/8" X 3/4" LONG\*\*

\*\*ZINC PLATED\*\*

35-0167

pk-100

COTTER PINS, \*\*1/8" X 1" LONG\*\*

\*\*ZINC PLATED\*\*

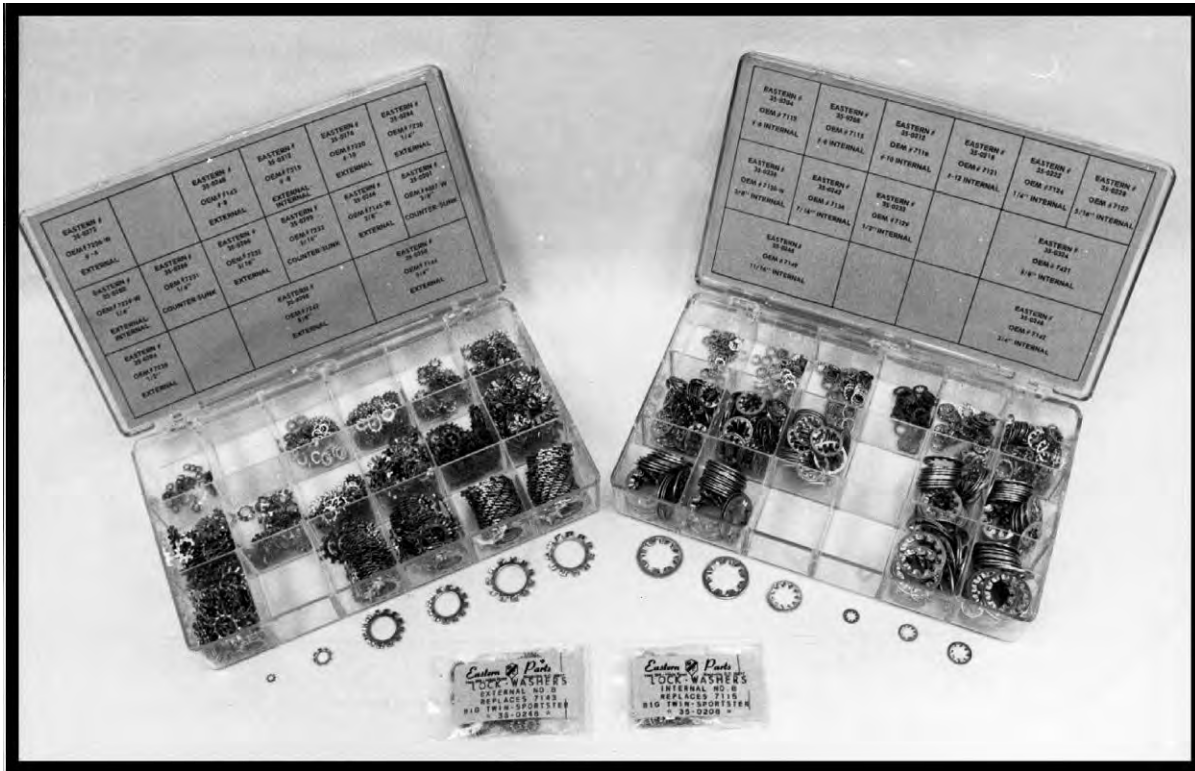


# **\*\*EASTERN MOTORCYCLE PARTS\*\***

## **\*\*LOCK WASHERS\*\***

### **\*\*REGULAR AND STAR\*\***

### **\*\*INTERNAL, EXTERNAL, COUNTERSUNK\*\***



**\*\*ALL WASHERS ARE SOLD IN PACKS OF 100\*\***

**\*\*EXCEPT FOR KITS\*\***

<u>EASTERN NUMBER</u>	<u>REPLACES OEM</u>	<u>DESCRIPTION</u>
35-0190		LOCK WASHER KIT, <b>**INTERNAL ONLY**</b> (CONSISTS OF 12-SIZES) *50 OF EACH SIZE* (#-6), (#-8), (#-10), (#-12), (1/4"), (5/16"), (1/2"), (3/8"), (7/16"), (3/4"), (11/16"), (5/8")
35-0193		LOCK WASHER KIT, <b>**EXTERNAL, I-E, &amp; C/S**</b> (CONSISTS OF 14-SIZES) <b>**50 OF EACH**</b> (#-4 EX), (#-8 EX), (#-8 I-E), (#-10 EX), (1/4" EX), (1/4" I-E), (1/4" C/S), (5/16" EX), (5/16" C/S), (1/2" EX), (3/8" EX), (3/8" C/S), (3/4" EX), (5/8" EX)
35-0201	6027W	pk-100 LOCK WASHER, (3/8" COUNTERSUNK), <b>**ZINC PLATED**</b>
35-0316	7100	pk-100 LOCK WASHER, (5/16" INTERNAL-EXTERNAL), <b>**ZINC PLATED**</b>
35-0318	7101	pk-100 LOCK WASHER, (3/8" INTERNAL-EXTERNAL), <b>**ZINC PLATED**</b>
35-0314	7102	pk-100 LOCK WASHER, (#-10 INTERNAL-EXTERNAL), <b>**ZINC PLATED**</b>
35-0204	7112	pk-100 LOCK WASHER, (#-6 INTERNAL) <b>**ZINC PLATED**</b>
35-0208	7115	pk-100 LOCK WASHER, (#-8 INTERNAL) <b>**ZINC PLATED**</b>
35-0212	7118	pk-100 LOCK WASHER, (#-10 INTERNAL) <b>**ZINC PLATED**</b>
35-0218	7121	pk-100 LOCK WASHER, (#-12 INTERNAL) <b>**ZINC PLATED**</b>
35-0222	7124	pk-100 LOCK WASHER, (1/4" INTERNAL) <b>**ZINC PLATED**</b>
35-0228	7127	pk-100 LOCK WASHER, (5/16" INTERNAL) <b>**ZINC PLATED**</b>
35-0230	7128	pk-100 LOCK WASHER, (9/32" INTERNAL) <b>**ZINC PLATED**</b>
35-0232	7129	pk-100 LOCK WASHER, (1/2" INTERNAL) <b>**ZINC PLATED**</b>
35-0236	7130W	pk-100 LOCK WASHER, (3/8" INTERNAL) <b>**ZINC PLATED**</b>

**\*\*CONTINUED NEXT PAGE\*\***

# **\*\*EASTERN MOTORCYCLE PARTS\*\***

## **\*\*LOCK WASHERS\*\***

### **\*\*REGULAR AND STAR\*\***

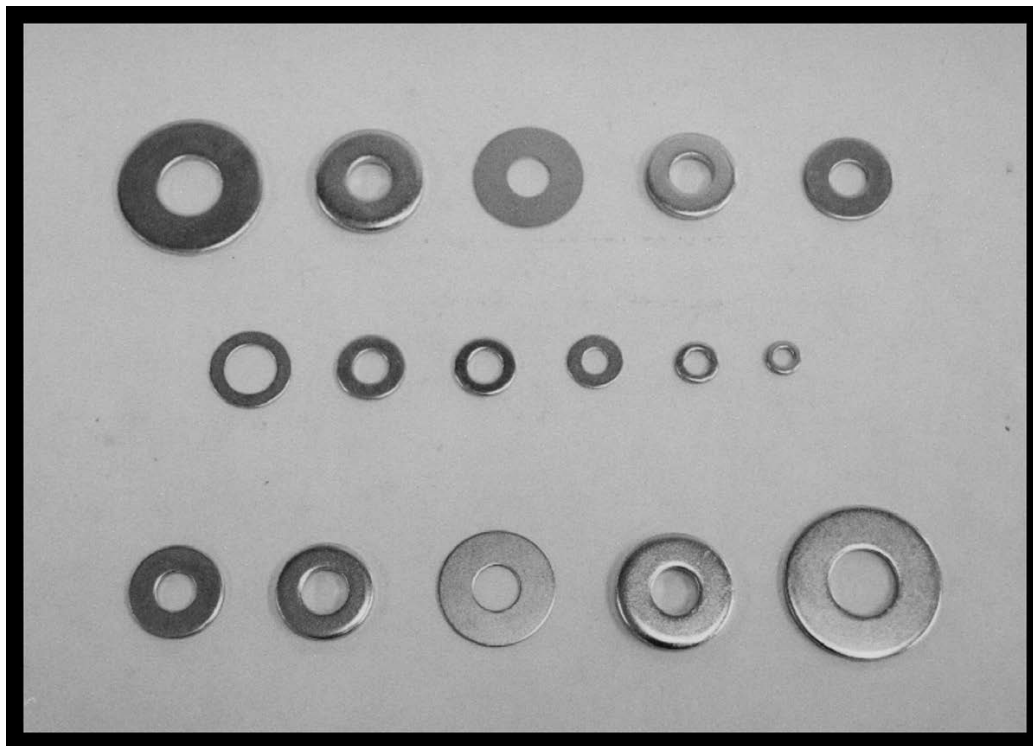
#### **\*\*INTERNAL, EXTERNAL, COUNTERSUNK\*\***

<b><u>EASTERN NUMBER</u></b>	<b><u>REPLACES OEM</u></b>	<b><u>DESCRIPTION</u></b>
35-0242	7136 pk-100	LOCK WASHER, (7/16" INTERNAL), <b>**ZINC PLATED**</b>
35-0246	7142 pk-100	LOCK WASHER, (3/4" INTERNAL), <b>**ZINC PLATED**</b>
35-0248	7143 pk-100	LOCK WASHER, (#-8 EXTERNAL), <b>**ZINC PLATED**</b>
35-0250	7144 pk-100	LOCK WASHER, (3/4" EXTERNAL), <b>**ZINC PLATED**</b>
35-0266	7145W pk-100	LOCK WASHER, (3/8" EXTERNAL), <b>**ZINC PLATED**</b>
35-0268	7149 pk-100	LOCK WASHER, (11/16" INTERNAL), <b>**ZINC PLATED**</b>
35-0272	7206W pk-100	LOCK WASHER, (#-4 EXTERNAL), <b>**ZINC PLATED**</b>
35-0276	7220 pk-100	LOCK WASHER, (#-10 EXTERNAL), <b>**ZINC PLATED**</b>
35-0280	7229W pk-100	LOCK WASHER, (1/4" INTERNAL- EXTERNAL), <b>**ZINC PLATED**</b>
35-0284	7230 pk-100	LOCK WASHER, (1/4" EXTERNAL), <b>**ZINC PLATED**</b>
35-0286	7231 pk-100	LOCK WASHER, (1/4" COUNTERSUNK), <b>**ZINC PLATED**</b>
35-0288	7232 pk-100	LOCK WASHER, (5/16" EXTERNAL), <b>**ZINC PLATED**</b>
35-0290	7233 pk-100	LOCK WASHER, (5/16" COUNTERSUNK), <b>**ZINC PLATED**</b>
35-0294	7238 pk-100	LOCK WASHER, (1/2" EXTERNAL), <b>**ZINC PLATED**</b>
35-0298	7242 pk-100	LOCK WASHER, (5/8" EXTERNAL), <b>**ZINC PLATED**</b>
35-0312	7315 pk-100	LOCK WASHER, (#-8 INTERNAL-EXTERNAL), <b>**ZINC PLATED**</b>
35-0324	7421 pk-100	LOCK WASHER, (5/8" EXTERNAL), <b>**ZINC PLATED**</b>
<b>**REGULAR**</b>		
36-0114	6560 pk-100	LOCK WASHERS, (3/16" ALUMINUM), <b>**ZINC PLATED**</b>
36-0118	6969 pk-100	LOCK WASHERS, (#-4 REGULAR), <b>**ZINC PLATED**</b>
	7005	
36-0136	6994 pk-100	LOCK WASHERS, (1/2" REGULAR), <b>**CHROME PLATED**</b>
36-0142	6995 pk-100	LOCK WASHERS, (7/16" REGULAR), <b>**CHROME PLATED**</b>
36-0146	6996 pk-100	LOCK WASHERS, (3/8" REGULAR), <b>**CHROME PLATED**</b>
36-0148	6997 pk-100	LOCK WASHERS, (5/16" REGULAR), <b>**CHROME PLATED**</b>
36-0152	6998 pk-100	LOCK WASHERS, (1/4" REGULAR), <b>**CHROME PLATED**</b>
36-0156	6999 pk-100	LOCK WASHERS, (#-10" REGULAR), <b>**CHROME PLATED**</b>
36-0164	7004 pk-100	LOCK WASHERS, (5/16" REGULAR), <b>**BLACK OX**</b>
36-0174	7010 pk-100	LOCK WASHERS, (#-6 REGULAR), <b>**ZINC PLATED**</b>
36-0178	7015 pk-100	LOCK WASHERS, (#-8 REGULAR), <b>**ZINC PLATED**</b>
36-0186	7022 pk-100	LOCK WASHERS, (5/8" REGULAR), <b>**ZINC PLATED**</b>
	7070	
36-0194	7030W pk-100	LOCK WASHERS, (#-12" REGULAR), <b>**ZINC PLATED**</b>
36-0198	7036 pk-100	LOCK WASHERS, (1/4" REGULAR), <b>**ZINC PLATED**</b>
36-0210	7039 pk-100	LOCK WASHERS, (7/16" REGULAR), <b>**ZINC PLATED**</b>
	7055	
36-0214	7041 pk-100	LOCK WASHERS, (5/16" REGULAR), <b>**ZINC PLATED**</b>
36-0218	7042 pk-100	LOCK WASHERS, (5/16" HI-COLLAR), <b>**ZINC PLATED**</b>
36-0226	7043 pk-100	LOCK WASHERS, (3/4" REGULAR), <b>**ZINC PLATED**</b>
	7075	
36-0234	7045 pk-100	LOCK WASHERS, (3/8" HI-COLLAR), <b>**ZINC PLATED**</b>
36-0252	7065 pk-100	LOCK WASHERS, (9/16" REGULAR), <b>**ZINC PLATED**</b>
36-0258	7068 pk-100	LOCK WASHERS, (1/2" REGULAR), <b>**ZINC PLATED**</b>
	7060	
36-0262	7069 pk-100	LOCK WASHERS, (#-10 REGULAR), <b>**ZINC PLATED**</b>
	7021	
36-0284	7130W pk-100	LOCK WASHERS, (3/8" REGULAR), <b>**ZINC PLATED**</b>

# **\*\*EASTERN MOTORCYCLE PARTS\*\***

## **\*\*HARDWARE WASHERS\*\***

### **\*\*BIG TWIN-SPORTSTER\*\***



<u>EASTERN NUMBER</u>	<u>REPLACES OEM</u>	<u>DESCRIPTION</u>
A-5710	5710 pk-25	WASHER (STEEL) **63/64 X 1-1/2 X 5/64 THICK** (ZINC PLATED)
A-6001	6001 pk-25	WASHER (STEEL) **7/16 X 3/4 X 1/32 THICK** (BLACK PHOSPHATE)
A-6002	6002 pk-25	WASHER (STEEL) **5/16 X 5/8 X 1/16 THICK** (BLACK PHOSPHATE)
A-6006	6006 pk-25	WASHER (STEEL) **#4 X 1/4 X 1/32 THICK** (ZINC PLATED)
A-6007	6007 pk-25	WASHER (STEEL) **5/8 X 15/16 X 3/32 THICK** (ZINC PLATED)
A-6010	6010 pk-25	WASHER (STEEL) **3/32 X 15/64 X 1/32 THICK** (ZINC PLATED)
A-6011	6011 pk-25	WASHER (BRASS) **3/32 X 5/16 X 1/32 THICK**
A-6012	6012 pk-25	WASHER (STEEL) **1/2 X 1-3/16 X 1/16 THICK** (ZINC PLATED)
A-6016	6016 pk-25	WASHER (STEEL) **11/32 X 11/16 X 1/16 THICK** (ZINC PLATED)
A-6019	6019 pk-25	WASHER (STEEL) **3/8 X 29/32 X 1/16 THICK** (ZINC PLATED)
A-6026	6026 pk-25	WASHER (STEEL) **3/8 X 7/8 X 1/8 THICK** (ZINC PLATED)
A-6029	6029 pk-25	WASHER (STEEL) **5/32 X 3/8 X 1/32 THICK** (ZINC PLATED)
A-6030	6030 pk-25	WASHER (STEEL) **7/64 X 3/8 X 23/64 THICK** (ZINC PLATED)
A-6033	6033 pk-25	WASHER (STEEL) **3/8 X 9/16 X 1/16 THICK** (ZINC PLATED)
A-6036	6036 pk-25	WASHER (STEEL) **17/64 X 1" X 1/16 THICK** (ZINC PLATED)
A-6042	6042 pk-25	WASHER (STEEL) **3/4 X 1-1/2 X 1/16** (ZINC PLATED)
A-6047	6047 pk-25	WASHER (STEEL) **13/64 X 5/8 X 3/64 THICK** (ZINC PLATED)
A-6048W	6048W pk-25	WASHER (STEEL) **1/8 X 1/4 X 1/32 THICK** (ZINC PLATED)
A-6052	6052 pk-25	WASHER (STEEL) **5/16 X 9/16 X 1/16 THICK** (ZINC PLATED)
A-6053	6053 pk-25	WASHER (NYLON) **3/16 X 7/16 X 1/16 THICK**

**\*\*CONTINUED NEXT PAGE\*\***



# **\*\*EASTERN MOTORCYCLE PARTS\*\***

## **\*\*HARDWARE WASHERS\*\***

### **\*\*BIG TWIN-SPORTSTER\*\***

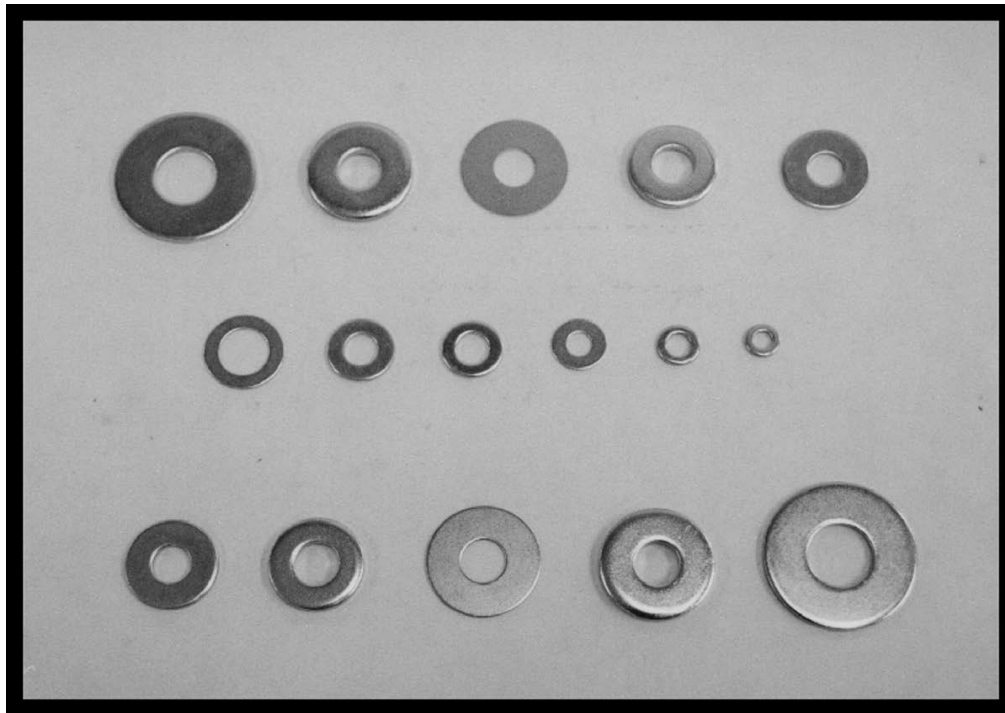
<b>EASTERN NUMBER</b>	<b>REPLACES OEM</b>	<b>DESCRIPTION</b>
A-6054	6054 pk-25	WASHER (NYLON) **3/16 X 9/16 X 1/16 THICK**
A-6055	6055 pk-25	WASHER (STEEL) **47/64 X 25/64 X 1/8 THICK** (ZINC PLATED)
A-6057	6057 pk-25	WASHER (NYLON) **1/2 X 7/8 X 3/16 THICK**
A-6072	6072 pk-25	WASHER (STEEL) **3/8 X 1-1/4 X 5/64 THICK** (ZINC PLATED)
A-6075	6075 pk-25	WASHER (STEEL) **9/64 X 5/16 X 1/32 THICK** (ZINC PLATED)
A-6083	6083 pk-25	WASHER (STEEL) **.505 X 2.005 X .062 THICK** (ZINC PLATED)
A-6092	6092 pk-25	WASHER (STEEL) **3/4 X 1-1/8 X 1/16 THICK** (ZINC PLATED)
A-6099	6099 pk-25	WASHER (STEEL) **1/4 X 7/16 X 1/16 THICK** (ZINC PLATED)
A-6101	6101 pk-25	WASHER (STEEL) **17/64 X 27/64 X 1/16 THICK** (ZINC PLATED)
A-6106	6106 pk-25	WASHER (BAKERLITE) **3/32 X 1/2 X 1/8 THICK**
A-6109	6109 pk-25	WASHER (STEEL) **5/16 X 11/16 X 1/8 THICK** (ZINC PLATED)
A-6113	6113 pk-25	WASHER (STEEL) **1/2 X 13/16 X 1/32 THICK** (ZINC PLATED)
A-6115	6115 pk-25	WASHER (STEEL) **13/32 X 23/32 X 1/16 THICK** (ZINC PLATED)
A-6116	6116 pk-25	WASHER (STEEL) **5/16 X 13/16 X 1/8 THICK** (ZINC PLATED)
A-6119	6119 pk-25	WASHER (STEEL) **1/4 X 9/16 X 1/16 THICK** (ZINC PLATED)
A-6127	6127 pk-25	WASHER (STEEL) **13/32 X 13/16 X 5/64 THICK** (ZINC PLATED)
A-6139	6139 pk-25	WASHER (STEEL) **3/8 X 7/8 X 1/16 THICK** (ZINC PLATED)
A-6147	6147 pk-25	WASHER (STEEL) **3/16 X 21/64 X 1/64 THICK** (ZINC PLATED)
A-6150W	6150W pk-25	WASHER (STEEL) **#10 X 3/8 X 1/64 THICK** (ZINC PLATED)
A-6161	6161 pk-25	WASHER (STEEL) **7/32 X 3/8 X 1/64 THICK** (ZINC PLATED)
A-6165W	6165W pk-25	WASHER (STEEL) **3/16 X 3/8 X 1/32 THICK** (ZINC PLATED)
A-6179	6179 pk-25	WASHER (FIBER) **3/16 X 13/32 X 1/32 THICK**
A-6182W	6182W pk-25	WASHER (STEEL) **3/16 X 7/16 X 1/32 THICK** (ZINC PLATED)
41-0112	* 6186 pk-25	WASHER (BAKERLITE) **3/16 X 1/2 X 1/8 THICK**
A-6187	6187 pk-25	WASHER (STEEL) **#10 X 9/16 X 1/32 THICK** (ZINC PLATED)
A-6192	6192 pk-25	WASHER (STEEL) **#8 X 7/16 X 3/64 THICK** (ZINC PLATED)
A-6193	6193 pk-25	WASHER (STEEL) **#10 X 15/32 X 1/32 THICK** (ZINC PLATED)
A-6194	6194 pk-25	WASHER (STEEL) **13/64 X 7/16 X 1/64 THICK** (ZINC PLATED)
A-6196	6196 pk-25	WASHER (STEEL) **#8 X 1/4 X .050 THICK** (ZINC PLATED)
A-6197	6197 pk-25	WASHER (STEEL) **#8 X 1/4 X .050 THICK** (ZINC PLATED)
A-6218W	6218W pk-25	WASHER (COPPER) **1/4 X 7/16 X 1/32 THICK**
A-6220W	6220W pk-25	WASHER (STEEL) **1/4 X 7/16 X 1/32 THICK** (ZINC PLATED)
C-3005-100	6227 pk-100	FLAT WASHERS **1/4** (CHROME)
A-6228W	6228W pk-25	WASHER (STEEL) **1/4 X 1/2 X 1/16 THICK** (ZINC PLATED)
A-6229W	6229W pk-25	WASHER (STEEL) **5/16 X 1-1/6 X 3/64 THICK** (ZINC PLATED)
A-6230	6230 pk-25	WASHER (STEEL) **11/32 X 13/32 X 1/32 THICK** (ZINC PLATED)
A-6235	6235 pk-25	WASHER (STEEL) **1/4 X 23/32 X 1/16 THICK** (ZINC PLATED)
A-6237	6237 pk-25	WASHER (STEEL) **5/16 X 1-1/8 X 5/64 THICK** (ZINC PLATED)
A-6238	6238 pk-25	WASHER (STEEL) **11/32 X 1-1/8 X 5/64 THICK** (ZINC PLATED)
A-6239	6239 pk-25	WASHER (STEEL) **1/4 X 1/2 X 3/32 THICK** (ZINC PLATED)
A-6240	6240 pk-25	WASHER (STEEL) **1/4 X 9/16 X 1/16 THICK** (ZINC PLATED)
A-6242W	6242W pk-25	WASHER (STEEL) **1/4 X 9/16 X 1/32 THICK** (ZINC PLATED)
A-6248	6248 pk-25	WASHER (STEEL) **1/4 X 3/8 X 1/64 THICK** (ZINC PLATED)
A-6253W	6253W pk-25	WASHER (STEEL) **1/4 X 3/4 X 3/64 THICK** (ZINC PLATED)
A-6257W	6257W pk-25	WASHER (STEEL) **1/4 X 1-3/8 X 1/16 THICK** (ZINC PLATED)
A-6261	6261 pk-25	WASHER (RUBBER) **1/4 X 3/4 X 3/32 THICK**
A-6278	6278 pk-25	WASHER (STEEL) **5/16 X 1-7/32 X .125 THICK** (ZINC PLATED)
A-6280	6280 pk-25	WASHER (STEEL) **9/32 X 15/32 X 1/32 THICK** (ZINC PLATED)
A-6288	6288 pk-25	WASHER (STEEL) **17/32 X 25/32 X 1/32 THICK** (ZINC PLATED)
C-3009-100	6299 pk-100	FLAT WASHERS **5/16** (CHROME)
A-6302	6302 pk-25	WASHER (STEEL) **5/16 X 11/16 X 19/32 THICK** (ZINC PLATED)

**\*\*CONTINUED ON NEXT PAGE\*\***

# **\*\*EASTERN MOTORCYCLE PARTS\*\***

## **\*\*HARDWARE WASHERS\*\***

### **\*\*BIG TWIN-SPORTSTER\*\***



<u>EASTERN NUMBER</u>	<u>REPLACES OEM</u>	<u>DESCRIPTION</u>
A-6314W	6314W pk-25	WASHER (STEEL) **21/64 X 9/16 X 1/8 THICK** (ZINC PLATED)
A-6316HW	6316HW pk-25	WASHER (STEEL) **5/16 X 5/8 X 1/16 THICK** (ZINC PLATED)
A-6317	6317 pk-25	WASHER (NYLON) **3/4 X 1-1/2 X 1/32 THICK**
A-6320	6320 pk-25	WASHER (STEEL) **5/16 X 11/16 X 1/16 THICK** (ZINC PLATED)
A-6324W	6324W pk-25	WASHER (STEEL) **5/16 X 11/16 X 3/32 THICK** (ZINC PLATED)
A-6327	6327 pk-25	WASHER (STEEL) **5/16 X 15/16 X 1/16 THICK** (ZINC PLATED)
A-6327B	6327B pk-25	WASHER (STEEL) **5/16 X 3/4 X 3/64 THICK** (ZINC PLATED)
A-6329	6329 pk-25	WASHER (STEEL) **5/16 X 7/8 X 5/64 THICK** (ZINC PLATED)
A-6330	6330 pk-25	WASHER (STEEL) **5/16 X 11/16 X 3/32 THICK** (ZINC PLATED)
A-6332B	6332B pk-25	WASHER (STEEL) **5/16 X 15/16 X 3/64 THICK** (ZINC PLATED)
A-6333	6333 pk-25	WASHER (STEEL) **5/16 X 7/8 X 5/64 THICK** (ZINC PLATED)
A-6334	6334 pk-25	WASHER (STEEL) **7/16 X 15/16 X 1/8 THICK** (ZINC PLATED)
A-6334A	6334A pk-25	WASHER (STEEL) **7/16 X 29/32 X 1/16 THICK** (ZINC PLATED)
A-6335	6335 pk-25	WASHER (STEEL) **#4 X 5/16 X 1/32 THICK** (ZINC PLATED)
A-6336B	6336B pk-25	WASHER (STEEL) **5/16 X 15/16 X 3/16 THICK** (ZINC PLATED)
A-6338	6338 pk-25	WASHER (STEEL) **5/16 X 15/16 X 1/64 THICK** (ZINC PLATED)
A-6340	6340 pk-25	WASHER (STEEL) **13/16 X 1-15/32 X 1/8 THICK** (ZINC PLATED)
A-6341B	6341B pk-25	WASHER (STEEL) **5/16 X 1-1/8 X 3/64 THICK** (ZINC PLATED)
A-6343	6343 pk-25	WASHER (STEEL) **15/32 X 59/64 X 5/64 THICK** (ZINC PLATED)
A-6365	6365 pk-25	WASHER (STEEL) **17/32 X 1-1/8 X 5/64 THICK** (ZINC PLATED)
A-6366	6366 pk-25	WASHER (STEEL) **1/2 X 1-1/4 X 3/32 THICK** (ZINC PLATED)
A-6370	6370 pk-25	WASHER (NYLON) **1/2 X 3/4 X 1/16 THICK**

**\*\*CONTINUED NEXT PAGE\*\***

# **\*\*EASTERN MOTORCYCLE PARTS\*\***

## **\*\*HARDWARE WASHERS\*\***

### **\*\*BIG TWIN-SPORTSTER\*\***

<b><u>EASTERN NUMBER</u></b>	<b><u>REPLACES OEM</u></b>	<b><u>DESCRIPTION</u></b>
A-6371	6371	pk-25 WASHER (STEEL) **25/64 X 1" X 3/32 THICK** (ZINC PLATED)
A-6375B	6375B	pk-25 WASHER (STEEL) **3/8 X 9/16 X 1/32 THICK** (ZINC PLATED)
C-3013-100	6377	pk-100 FLAT WASHERS **3/8** (CHROME)
A-6379W	6379W	pk-25 WASHER (STEEL) **3/8 X 5/8 X 3/64 THICK** (ZINC PLATED)
A-6388HB	6388HB	pk-25 WASHER (STEEL) **3/8 X 23/32 X 1/16 THICK** (ZINC PLATED)
A-6395	6395	pk-25 WASHER (STEEL) **3/8 X 13/16 X 1/16 THICK** (ZINC PLATED)
A-6397B	6397B	pk-25 WASHER (STEEL) **13/32 X 13/16 X 1/8 THICK** (ZINC PLATED)
A-6398	6398	pk-25 WASHER (STEEL) **3/8 X 13/16 X 3/32 THICK** (ZINC PLATED)
A-6400HB	6400HB	pk-25 WASHER (STEEL) **3/8 X 13/16 X 7/64 THICK** (ZINC PLATED)
A-6405W	6405W	pk-25 WASHER (STEEL) **7/16 X 1" X 1/8 THICK** (ZINC PLATED)
A-6408HB	6408HB	pk-25 WASHER (STEEL) **25/64 X 1" X 1/8 THICK** (ZINC PLATED)
A-6409	6409	pk-25 WASHER (PLASTIC) **1/2 X 3/4 X 1/32 THICK**
A-6410	6410	pk-25 WASHER (NYLON) **1/4 X 9/16 X 1/16 THICK**
A-6411	6411	pk-25 WASHER (STEEL) **1/4 X 17/32 X 1/16 THICK** (ZINC PLATED)
A-6415B	6415B	pk-25 WASHER (STEEL) **3/8 X 1-1/8 X 3/32 THICK** (ZINC PLATED)
A-6416	6416	pk-25 WASHER (STEEL) **3/8 X 1" X 5/64 THICK** (ZINC PLATED)
A-6417W	6417W	pk-25 WASHER (STEEL) **3/8 X 1-1/8 X 1/8 THICK** (ZINC PLATED)
A-6418B	6418B	pk-25 WASHER (STEEL) **3/8 X 1-1/8 X 11/64 THICK** (ZINC PLATED)
A-6440	6440	pk-25 WASHER (STEEL) **13/32 X 5/8 X 1/32 THICK** (ZINC PLATED)
A-6440B	6440B	pk-25 WASHER (BRASS) **13/32 X 5/8 X 1/32 THICK**
A-6443HW	6443HW	pk-25 WASHER (STEEL) **1/4 X 5/8 X 1/16 THICK** (ZINC PLATED)
A-6448HB	6448HB	pk-25 WASHER (STEEL) **3/8 X 13/16 X 3/32 THICK** (ZINC PLATED)
A-6460	6460	pk-25 WASHER (STEEL) **7/16 X 21/32 X 1/16 THICK** (ZINC PLATED)
C-3017-100	6466	pk-100 FLAT WASHERS **7/16** (CHROME)
A-6466W	6466W	pk-25 WASHER (STEEL) **7/16 X 3/4 X 1/64 THICK** (ZINC PLATED)
A-6469HW	6469W	pk-25 WASHER (STEEL) **7/16 X 3/4 X 1/8 THICK** (ZINC PLATED)
A-6473	6473	pk-25 WASHER (STEEL) **29/64 X 51/64 X 1/16 THICK** (ZINC PLATED)
A-6473HB	6473HB	pk-25 WASHER (STEEL) **7/16 X 13/16 X 1/16 THICK** (ZINC PLATED)
A-6474	6474	pk-25 WASHER (STEEL) **3/8 X 13/16 X 5/32 THICK** (ZINC PLATED)
A-6475	6475	pk-25 WASHER (BRASS) **7/16 X 13/16 X 1/16 THICK**
A-6481	6481	pk-25 WASHER (STEEL) **15/32 X 13/16 X 9/64 THICK** (ZINC PLATED)
A-6486	6486	pk-25 WASHER (STEEL) **29/64 X 13/16 X 3/32 THICK** (ZINC PLATED)
A-6486HW	6486HW	pk-25 WASHER (STEEL) **7/16 X 13/16 X 3/32 THICK** (ZINC PLATED)
A-6490	6490	pk-25 WASHER (STEEL) **7/16 X 15/16 X 1/8 THICK** (ZINC PLATED)
A-6495HW	6495HW	pk-25 WASHER (STEEL) **7/16 X 15/16 X 1/8 THICK** (ZINC PLATED)
A-6497HW	6497HW	pk-25 WASHER (STEEL) **7/16 X 1-1/8 X 3/64 THICK** (ZINC PLATED)
A-6498	6498	pk-25 WASHER (NYLON) **9/16 X 13/16 X 1/32 THICK**
A-6503	6503	pk-25 WASHER (STEEL) **7/16 X 1" X 1/16 THICK** (ZINC PLATED)
A-6516HW	6516HW	pk-25 WASHER (STEEL) **7/16 X 1-1/8 X 1/8 THICK** (ZINC PLATED)
A-6519	6519	pk-25 WASHER (STEEL) **13/32 X 1-1/32 X 1/8 THICK** (ZINC PLATED)
A-6520	6520	pk-25 WASHER (STEEL) **29/64 X 1-1/8 X 3/32 THICK** (ZINC PLATED)
A-6521W	6521W	pk-25 WASHER (STEEL) **7/16 X 1-1/8 X 3/32 THICK** (ZINC PLATED)
A-6522HB	6522HB	pk-25 WASHER (STEEL) **7/16 X 1-1/8 X 5/32 THICK** (ZINC PLATED)
A-6524	6524	pk-25 WASHER (STEEL) **29/64 X 1-1/8 X 1/64 THICK** (ZINC PLATED)
A-6524W	6524W	pk-25 WASHER (STEEL) **7/16 X 1-1/8 X 1/32 THICK** (ZINC PLATED)
A-6527	6527	pk-25 WASHER (STEEL) **3/64 X 1-7/32 X 29/64 THICK** (ZINC PLATED)
A-6530	6530	pk-25 WASHER (STEEL) **1/2 X 1" X 3/16 THICK** (ZINC PLATED)
A-6543	6543	pk-25 WASHER (STEEL) **31/64 X 3/4 X 1/64 THICK** (ZINC PLATED)
A-6565W	6565W	pk-25 WASHER (STEEL) **1/2 X 3/4 X 3/32 THICK** (ZINC PLATED)

**\*\*CONTINUED NEXT PAGE\*\***



# **\*\*EASTERN MOTORCYCLE PARTS\*\***

## **\*\*HARDWARE WASHERS\*\***

### **\*\*BIG TWIN-SPORTSTER\*\***

<b>EASTERN NUMBER</b>	<b>REPLACES OEM</b>	<b>DESCRIPTION</b>
A-6579B	6579B pk-10	WASHER (STEEL) **35/64 X 7/8 X 1/2 THICK** (ZINC PLATED)
A-6590HW	6590HW pk-25	WASHER (STEEL) **1/2 1-1/8 X 3/32 THICK** (ZINC PLATED)
A-6645	6645 pk-25	WASHER (STEEL) **11/32 X 1-1/32 X 1/8 THICK** (ZINC PLATED)
A-6649	6649 pk-25	WASHER (STEEL) **9/16 X 3/4 X 1/2 THICK** (ZINC PLATED)
A-6653A	6653A pk-25	WASHER (STEEL) **5/8 X 1-5/16 X 3/32 THICK** (ZINC PLATED)
A-6655	6655 pk-25	WASHER (STEEL) **5/8 X 1-1/2 X 3/32 THICK** (ZINC PLATED)
A-6662	6662 pk-25	WASHER (STEEL) **9/16 X 1-1/8 X 3/32 THICK** (ZINC PLATED)
A-6663B	6663B pk-25	WASHER (STEEL) **9/16 X 1-1/8 X 3/64 THICK** (ZINC PLATED)
A-6663HB	6663HB pk-25	WASHER (STEEL) **9/16 X 1-1/8 X 1/16 THICK** (ZINC PLATED)
A-6677HB	6677HB pk-25	WASHER (STEEL) **9/16 X 1-1/8 X 3/32 THICK** (ZINC PLATED)
A-6700B	6700B pk-25	WASHER (COPPER) **5/8 X 13/16 X 1/32 THICK**
A-6701	6701 pk-25	WASHER (STEEL) **3/8 X 13/16 X 1/16 THICK** (ZINC PLATED)
A-6702	6702 pk-25	WASHER (STEEL) **5/16 X 11/16 X 1/16 THICK** (ZINC PLATED)
A-6703	6703 pk-25	WASHER (STEEL) **1/4 X 5/8 X 1/16 THICK** (ZINC PLATED)
A-6712B	6712B pk-25	WASHER (STEEL) **5/8 X 15/16 X 3/32 THICK** (ZINC PLATED)
A-6716	6716 pk-25	WASHER (STEEL) **#10 X 1/2 X 3/64 THICK** (ZINC PLATED)
A-6717	6717 pk-25	WASHER (STEEL) **#6 X 3/8 X 3/64 THICK** (ZINC PLATED)
A-6718	6718 pk-25	WASHER (STEEL) **1/2 X 1-1/16 X 3/32 THICK** (ZINC PLATED)
A-6722B	6722B pk-25	WASHER (STEEL) **5/8 X 1-1/8 X 3/32 THICK** (ZINC PLATED)
A-6723	6723 pk-25	WASHER (STEEL) **17/32 X 1-1/2 X 9/64 THICK** (ZINC PLATED)
A-6724	6724 pk-25	WASHER (STEEL) **21/32 X 1-1/6 X 1/16 THICK** (ZINC PLATED)
A-6734	6734 pk-25	WASHER (STEEL) **19/64 X 41/64 X 5/64 THICK** (BLACK PHOSPHATE)
A-6736	6736 pk-25	WASHER (STEEL) **9/32 X 5/8 X 1/16 THICK** (ZINC PLATED)
A-6737	6737 pk-25	WASHER (STEEL) **57/64 X 1-3/64 X 1/32 THICK** (ZINC PLATED)
A-6738	6738 pk-25	WASHER (STEEL) **17/32 X 7/8 X 7/64 THICK** (ZINC PLATED)
A-6758	6758 pk-25	WASHER (STEEL) **3/8 X 37/64 X 7/64 THICK** (ZINC PLATED)
A-6759	6759 pk-25	WASHER (STEEL) **3/16 X 3/8 X 1/32 THICK** (ZINC PLATED)
A-6768	6768 pk-25	WASHER (FIBER) **11/16 X 15/16 X 1/16 THICK** (ZINC PLATED)
A-6771A	6771A pk-25	WASHER (STEEL) **21/64 X 33/64 X 1/16 THICK** (ZINC PLATED)
A-6774	6774 pk-25	WASHER (STEEL) **3/8 X 5/8 X 1/16 THICK** (ZINC PLATED)
A-6780	6780 pk-25	WASHER (STEEL) **11/16 X 29/32 X 1/16 THICK** (ZINC PLATED)
A-6781	6781 pk-25	WASHER (STEEL) **5/16 X 37/64 X 5/64 THICK** (ZINC PLATED)
A-6787	6787 pk-25	WASHER (STEEL) **7/16 X 27/32 X 5/64 THICK** (ZINC PLATED)
A-6788	6788 pk-25	WASHER (STEEL) **5/16 X 1" 1/16 THICK** (ZINC PLATED)
A-6798	6798 pk-25	WASHER (STEEL) **5/16 X 1/2 X 1/32 THICK** (ZINC PLATED)
A-6804	6804 pk-25	WASHER (STEEL) **1/2 X 1-1/16 X 1/16 THICK** (ZINC PLATED)
A-6807W	6807W pk-25	WASHER (STEEL) **1/2 X 3/4 X 1/32 THICK** (ZINC PLATED)
A-6812	6812 pk-25	WASHER (STEEL) **13/32 X 11/16 X 1/16 THICK** (ZINC PLATED)
A-6816	6816 pk-25	WASHER (STEEL) **17/32 X 9/16 X 3/64 THICK** (ZINC PLATED)
A-6817	6817 pk-10	WASHER (STEEL) **23/64 X 1-1/16 X 3/4 THICK** (ZINC PLATED)
A-6846	6846 pk-25	WASHER (STEEL) **29/64 X .335 X 1/32 THICK** (ZINC PLATED)
A-6852	6852 pk-10	WASHER, ENGINE BALANCER **1.120 X .640 X .087** (SOFTAIL) BIG TWIN 2000-PRES.
A-6921B	6921B pk-25	WASHER (STEEL) **1-41/64 X 2-15/32 X 3/32 THICK** (ZINC PLATED)
A-6970	6970 pk-25	WASHER (STEEL) **1/4 X 1/2 X 1/16 THICK** (SPRING)
A-7017	7017 pk-25	WASHER (NYLON) **17/64 X 33/64 X 5/64 THICK**
A-7018	7018 pk-25	WASHER (STEEL) **17/64 X 37/64 X 5/64 THICK** (BLACK PHOSPHATE)
A-7019	7019 pk-25	WASHER (RUBBER) **1/2 X 3/4 X 1/4 THICK**
A-7400HB	7400HB pk-25	WASHER (STEEL) **3/8 X 13/16 X 7/64 THICK** (ZINC PLATED)
40-0250	16822-39 pk-10	WASHER (STEEL) **29/64 X 1-3/32 X 13/64 THICK** (ZINC PLATED)

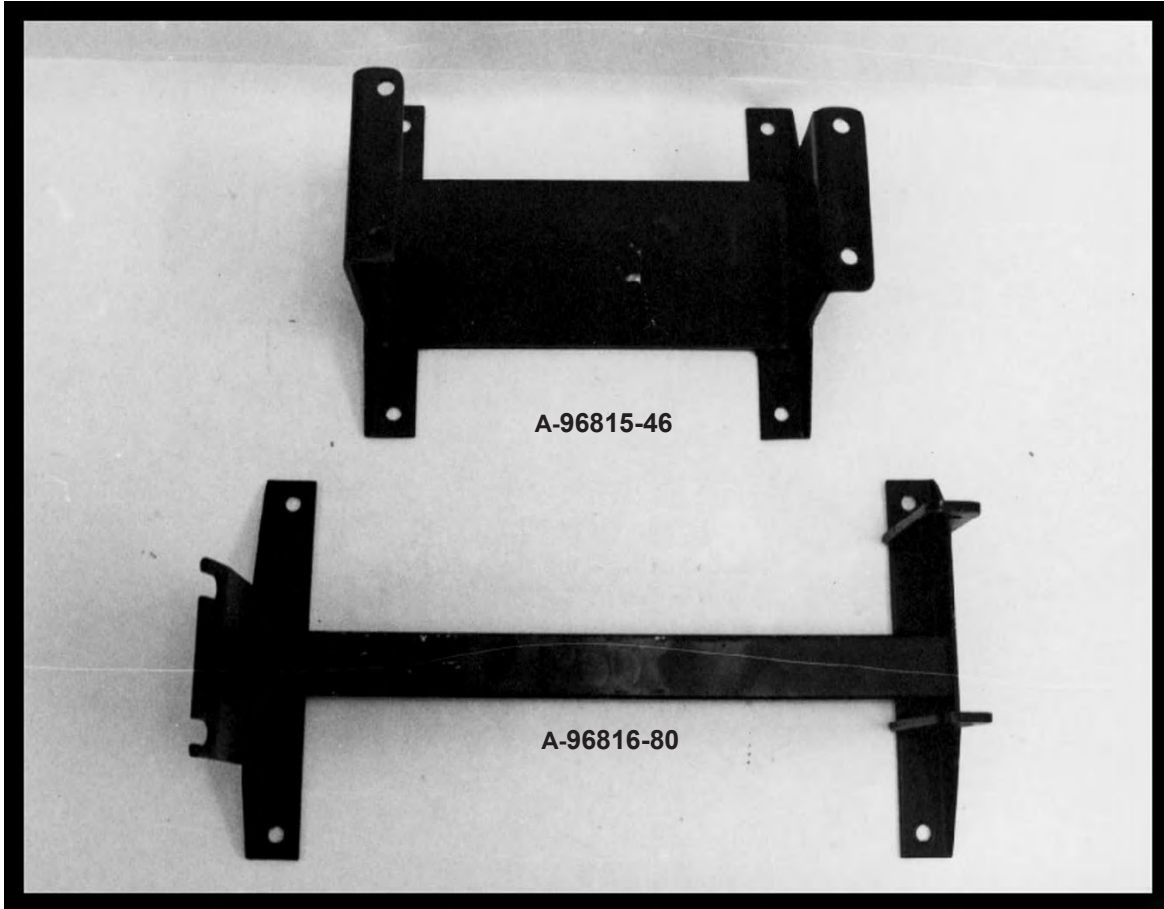
**\*\*TOOLS\*\***

- 
- \* CAM BUSHING REAMERS
  - \* CLUTCH HUB INSTALLER
  - \* END PLAY TOOL (TIMKEN BEARINGS)
  - \* ENGINE LAPPING TOOLS & REPLACEMENT PARTS
  - \* HASTINGS TOOLS
  - \* HELI-COIL
  - \* MISCELLANEOUS
  - \* OUTER RACE PRES PLUGS
  - \* PINION BUSHING REAMERS
  - \* PISTON PIN LOCK RING INSTALLERS
  - \* SPROCKET SHAFT BEARING PULLERS
  - \* TRANSMISSION LAP TOOLS AND REPLACEMENT PARTS
  - \* VALVE GUIDE INSTALLERS
  - \* VALVE GUIDE REAMERS

**\*\*EASTERN MOTORCYCLE PARTS\*\***

**\*\*MOTOR STANDS\*\***

**\*\*BIG TWIN-SPORTSTER\*\***



**EASTERN  
NUMBER**  
A-96815-46  
A-96816-80

**REPLACES  
OEM**  
96815-46  
96816-80

**DESCRIPTION**  
MOTOR STAND, BIG TWIN 1936-1998 **\*\*MADE IN U.S.A.\*\***  
MOTOR STAND, SPORTSTER 1954-2003



# **\*\*EASTERN MOTORCYCLE PARTS\*\***

## **\*\*HELI-COIL KITS\*\***

### **\*\*BIG TWIN-SPORTSTER\*\***

#### **\*\*MASTER LISTING\*\***



<b><u>EASTERN NUMBER</u></b>	<b><u>REPLACES HELI-COIL#</u></b>	<b><u>DESCRIPTION</u></b>
70-0114	R-482-1	HELI-COIL INSERTS, SPARK PLUGS, (12MM) **1/2" REACH** (PK-6)
70-0116	R-482-2	HELI-COIL INSERTS, SPARK PLUGS, (12MM) **3/4" REACH** (PK-6)
70-0120	5334-14	HELI-COIL KIT, SAVE-A-PLUG, (14MM) **WITH 3 INSERTS**
70-0122	R-5326-14S	HELI-COIL INSERTS, SAVE-A-PLUG, (14MM) **.307 REACH** (PK-5)
70-0124	R-5326-14N	HELI-COIL INSERTS, SAVE-A-PLUG, (14MM) **.422 REACH** (PK-5)
70-0126	R-5326-14L	HELI-COIL INSERTS, SAVE-A-PLUG, (14MM) **.669 REACH** (PK-5)
70-0134	R-512	HELI-COIL INSERTS, SPARK PLUGS, (14MM) **3/8" REACH** (PK-6)
70-0136	R-513	HELI-COIL INSERTS, SPARK PLUGS, (14MM) **7/16" REACH** (PK-6)
70-0138	R-513-20	HELI-COIL INSERTS, SPARK PLUGS, (14MM) **.472 REACH** (PK-6)
70-0142	R-513-13	HELI-COIL INSERTS, SPARK PLUGS, (14MM) **1/2" REACH** (PK-6)
70-0146	R-513-10	HELI-COIL INSERTS, SPARK PLUGS, (14MM) **3/4" REACH** (PK-6)
70-0164	R-514-6	HELI-COIL INSERTS, SPARK PLUGS, (18MM) **1/2" REACH** (PK-6)
70-0220	5521-2	HELI-COIL KIT, (8-32X.246 LONG), **WITH 12 INSERTS**
70-0225	R-1185-2	HELI-COIL INSERTS, **8-32X.246 LONG** (PK-12)
70-0230	5521-3	HELI-COIL KIT, (10-24X.285 LONG), **WITH 12 INSERTS**
70-0235	R-1185-3	HELI-COIL INSERTS, **10-24X.285 LONG** (PK-12)
70-0240	5528-3	HELI-COIL KIT, (10-32X.285 LONG), **WITH 12 INSERTS**
70-0245	R-1191-3	HELI-COIL INSERTS, **10-32X.285 LONG** (PK-12)

**\*\*CONTINUED NEXT PAGE\*\***

# **\*\*EASTERN MOTORCYCLE PARTS\*\***

## **\*\*HELI-COIL KITS\*\***

### **\*\*BIG TWIN-SPORTSTER\*\***

#### **\*\*MASTER LISTING\*\***

<b><u>EASTERN NUMBER</u></b>	<b><u>REPLACES HELI-COIL#</u></b>	<b><u>DESCRIPTION</u></b>
70-0250	5521-1	HELI-COIL KIT, (12-24X.324 LONG), **WITH 12 INSERTS**
70-0255	R-1185-1	HELI-COIL INSERTS, **12-24X.324 LONG** (PK-12)
70-0260	5521-4	HELI-COIL KIT, (1/4-20X.375 LONG), **WITH 12 INSERTS**
70-0265	R-1185-4	HELI-COIL INSERTS, **1/4-20X.375 LONG** (PK-12)
70-0275	R-389-4	HELI-COIL INSERTS, **1/4-24X.500 LONG** (PK-12)
70-0280	5528-4	HELI-COIL KIT, (1/4-28X.375 LONG) **WITH 12 INSERTS**
70-0285	R-1191-4	HELI-COIL INSERTS, **1/4-28X.375 LONG** (PK-12)
70-0310	5521-5	HELI-COIL KIT, (5/16-18X.469 LONG) **WITH 12 INSERTS**
70-0315	R-1185-5	HELI-COIL INSERTS, **5/16-18X.469 LONG** (PK-12)
70-0320	5528-5	HELI-COIL KIT, (5/16-24X.469 LONG) **WITH 12 INSERTS**
70-0325	R-1191-5	HELI-COIL INSERTS, **5/16-24X.469 LONG** (PK-12)
70-0330	5521-6	HELI-COIL KIT, (3/8-16X.562 LONG) **WITH 12 INSERTS**
70-0335	R-1185-6	HELI-COIL INSERTS, **3/8-16X.562 LONG** (PK-12)
70-0345	R-389-6	HELI-COIL INSERTS, **3/8-20X.375 LONG** (PK-6)
70-0350	5528-6	HELI-COIL KIT, (3/8-24X.562 LONG) **WITH 12 INSERTS**
70-0355	R-1191-6	HELI-COIL INSERTS, **3/8-24X.562 LONG** (PK-12)
70-0360	5521-7	HELI-COIL KIT, (7/16-14X.656 LONG) **WITH 6 INSERTS**
70-0365	R-1185-7	HELI-COIL INSERTS, **7/16-14X.656 LONG** (PK-6)
70-0375	R-389-7-2	HELI-COIL INSERTS, **7/16-16X.656 LONG** (PK-6)
70-0380	5528-7	HELI-COIL KIT, (7/16-20X.656 LONG) **WITH 6 INSERTS**
70-0385	R-1191-7	HELI-COIL INSERTS, **7/16-20X.656 LONG** (PK-6)
70-0430	5521-8-2	HELI-COIL KIT, (1/2-13X.375 LONG) **WITH 6 INSERTS**
70-0435	R-1185-8-2	HELI-COIL INSERTS, **1/2-13X.375 LONG** (PK-6)
70-0440	5528-8-2	HELI-COIL KIT, (1/2-20X.375 LONG) **WITH 6 INSERTS**
70-0445	R-1191-8-2	HELI-COIL INSERTS, **1/2-20X.375 LONG** (PK-6)
70-0475	R-1191-10-2	HELI-COIL INSERTS, **5/8-18X.325 LONG** (PK-6)
70-0515	R-327-2	HELI-COIL INSERTS, **1/8-27, PIPE THREAD** (PK-12)
70-0605	80-125	MICRO DRILL OUT, BOLT & STUD EXTRACTOR, **FOR # 5 & 6** (SOLD EACH)
70-0607	80-164	MICRO DRILL OUT, BOLT & STUD EXTRACTOR, **FOR # 8** (SOLD EACH)
70-0610	80-190	MICRO DRILL OUT, BOLT & STUD EXTRACTOR, **FOR # 10 & 12** (SOLD EACH)
70-0612	80-250	DRILL OUT, BOLT & STUD EXTRACTOR, **FOR 1/4*** (SOLD EACH)
70-0615	80-312	DRILL OUT, BOLT & STUD EXTRACTOR, **FOR 5/16*** (SOLD EACH)
70-0617	80-375	DRILL OUT, BOLT & STUD EXTRACTOR, **FOR 3/8*** (SOLD EACH)
70-0625	80-500	DRILL OUT, BOLT & STUD EXTRACTOR, **FOR 1/2*** (SOLD EACH)
70-0650	80-450	MICRO DRILL OUT KIT, BOLT & STUD EXTRACTOR, **KIT INCLUDES # 5&6,8,10,& 1/4***
70-0660	80-401	DRILL OUT KIT, BOLT & STUD EXTRACTOR, **KIT INCLUDES 1/4", 5/16", 3/8", & 1/2***



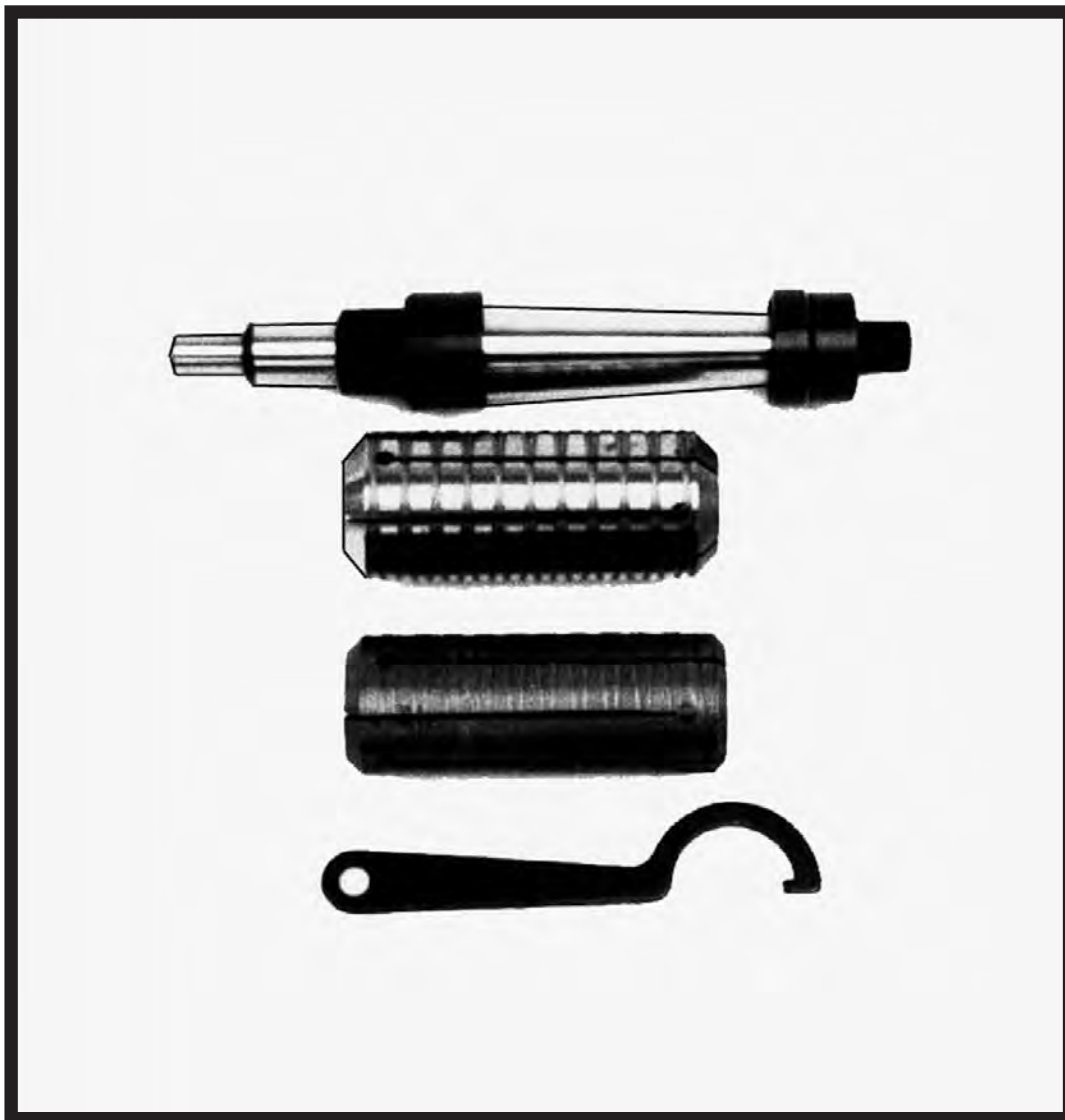
**\*\*EASTERN MOTORCYCLE PARTS\*\***

**\*\*CONNECTING ROD LAPPING TOOL\*\***

**\*\*AND\*\***

**\*\*REPLACEMENT PARTS\*\***

**\*\*BIG TWIN/SPORTSTER/FORTY-FIVE\*\***



**\*\*ALL EASTERNS ROD LAPS AND REPLACEMENT PARTS\*\***

**\*\*ARE MADE IN THE U.S.A.\*\***

**EASTERN  
NUMBER**

**A-96740-80  
A-96741-17  
A-96742-17  
A-96746-36  
A-96711-81**

**REPLACES  
OEM**

**96740-36  
96741-17  
96742-17  
96746-36**

**DESCRIPTION**

ROD LAP TOOL, \*\*WITH 2 LAPS\*\* BIG TWIN 1929-PRESENT, SPORTSTER 1952-PRES.  
ROD LAP SHAFT ONLY, BIG TWIN 1929-PRESENT, SPORTSTER 1952-PRESENT  
LAP HEAD, ROD LAP, \*\*1-1/2" CAST IRON\*\* FORTY-FIVE 1929-1973  
LAP HEAD, ROD LAP, \*\*1-5/8" CAST IRON\*\* BIG TWIN 1936-PRES., SPORT. 1952-PRES.  
SPANNER WRENCH, \*\*FOR LAPPING TOOLS\*\* BIG TWIN 1930-PRES., SPORT. 1952-1977

**\*5120 HILDA ROAD\* BLACKVILLE, S.C. 29817\* 803-284-3304\***

**\*Pg 461\***

# **\*\*EASTERN MOTORCYCLE PARTS\*\***

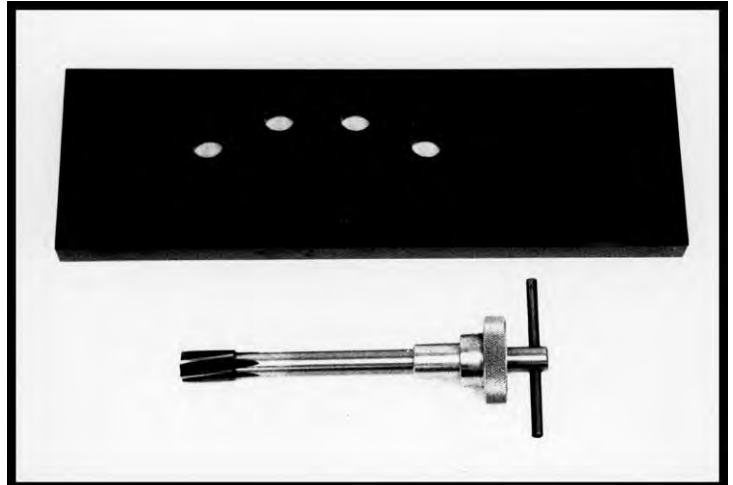
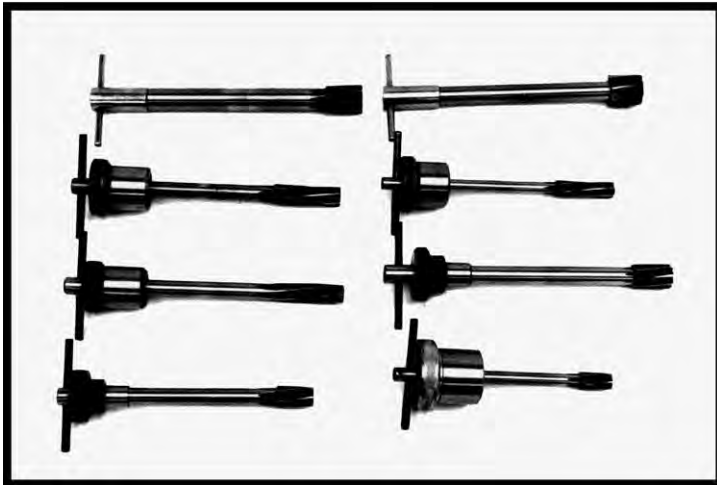
## **\*\*REAMING TOOLS\*\***

**\*\*CAM BUSHING, PINION BUSHING\*\***

**\*\*AND ROCKER ARM BUSHING\*\***

**\*\*BIG TWIN-SPORTSTER\*\***

**\*\*FORTY-FIVE\*\***



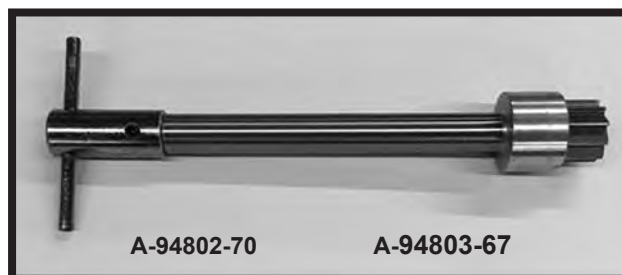
### REAMERS

### 94800-94

**\*\*ALL EASTERNS REAMING TOOLS\*\***

**\*\*ARE MADE IN THE U.S.A.\*\***

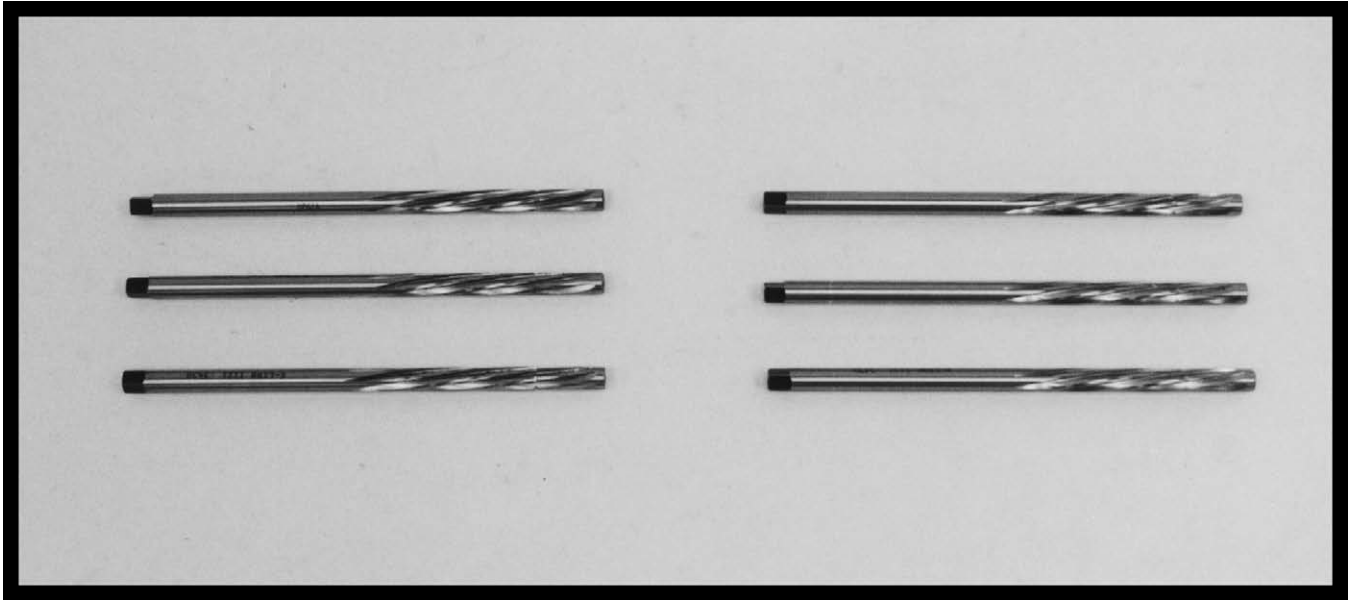
<u>EASTERN NUMBER</u>	<u>REPLACES OEM</u>	<u>DESCRIPTION</u>
A-94800-94		CAM BUSHING REAMER <b>**WITH PLATE**</b> SPORTSTER 1991-PRESENT (KENT MOORE# 38871-4) <b>**11/16" REAMER &amp; .748 PILOT**</b>
A-94802-36	94802-36	CAM BUSHING REAMER, <b>**812 REAMER**</b> (IN COVER) BIG TWIN 1936-1969
A-94802-70	*	CAM BUSHING REAMER, <b>**1.001 REAMER**</b> (IN COVER) BIG TWIN 1970-PRESENT
A-94803-52		CAM BUSHING REAMER, <b>**11/16 REAMER**</b> (1-3-4 CAMS) SPORTSTER 1952-PRESENT
A-94803-67	94803-67	CAM BUSHING REAMER, <b>**1.125 REAMER**</b> (#-2 CAM) SPORTSTER 1952-PRESENT
A-94805-80A		PINION BUSHING REAMER, <b>**9/16 REAMER, 1-3/4" PILOT**</b> BIG TWIN 1958-PRESENT
A-94812-37A	94812-37A	PINION BUSHING REAMER, <b>**5/8 REAMER**</b> SPORT. 1957-1976, FORTY-FIVE 1937-1973
A-94812-80A	94812-77	PINION BUSHING REAMER, <b>**9/16 REAMER**</b> SPORTSTER 1977-1986
A-94812-89		PINION BUSHING REAMER, <b>**9/16 REAMER**</b> SPORTSTER 1986-PRESENT
A-94813-80A		PINION BUSHING REAMER, <b>**11/16 REAMER, 1-1/2" PILOT**</b> BIG TWIN 1941-1954
A-94814-80A		PINION BUSHING REAMER, <b>**9/16 REAMER, 1-3/8" PILOT**</b> BIG TWIN 1955-1957



# **\*\*EASTERN MOTORCYCLE PARTS\*\***

## **\*\*VALVE GUIDE REAMERS\*\***

### **\*\*BIG TWIN-SPORTSTER\*\***



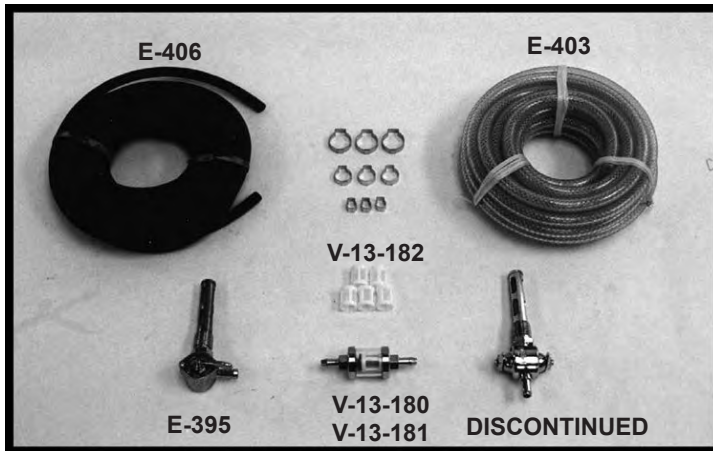
<u>EASTERN NUMBER</u>	<u>REPLACES K-LINE#</u>	<u>DESCRIPTION</u>
H-3830	1116 each	VALVE GUIDE REAMER (.310) SPORTSTER 1957-1985
H-3831	1117 each	VALVE GUIDE REAMER (.311) SPORTSTER 1957-1985
H-3832	1118 each	VALVE GUIDE REAMER (.312) SPORTSTER 1957-1985
H-3833	1176 each	VALVE GUIDE REAMER (.313) SPORTSTER 1957-1985
H-3834	1177 each	VALVE GUIDE REAMER (.314) SPORTSTER 1957-1985
H-3838	1210 each	VALVE GUIDE REAMER (.340) SPORTSTER 1957-1985
H-3839	1119 each	VALVE GUIDE REAMER (.341) SPORTSTER 1957-1985
H-3840	1120 each	VALVE GUIDE REAMER (.342) SPORTSTER 1957-1985
H-3841	1121 each	VALVE GUIDE REAMER (.343) SPORTSTER 1957-1985
H-3842	1122 each	VALVE GUIDE REAMER (.344) SPORTSTER 1957-1985
H-3843	1123 each	VALVE GUIDE REAMER (.345) SPORTSTER 1957-1985
H-3846	1139 each	VALVE GUIDE REAMER (.376) BIG TWIN 1936-1984
H-3847	1193 each	VALVE GUIDE REAMER (.377) BIG TWIN 1936-1984
H-3848	1182 each	VALVE GUIDE REAMER (.378) BIG TWIN 1936-1984
H-3849	1209 each	VALVE GUIDE REAMER (.379) BIG TWIN 1936-1984
H-3850	1194 each	VALVE GUIDE REAMER (.380) BIG TWIN 1936-1984

# \*\*EASTERN MOTORCYCLE PARTS\*\*

## \*\*OIL AND GAS LINES\*\*

### \*\*AND RELATED PARTS\*\*

#### \*\*BIG TWIN-SPORTSTER\*\*

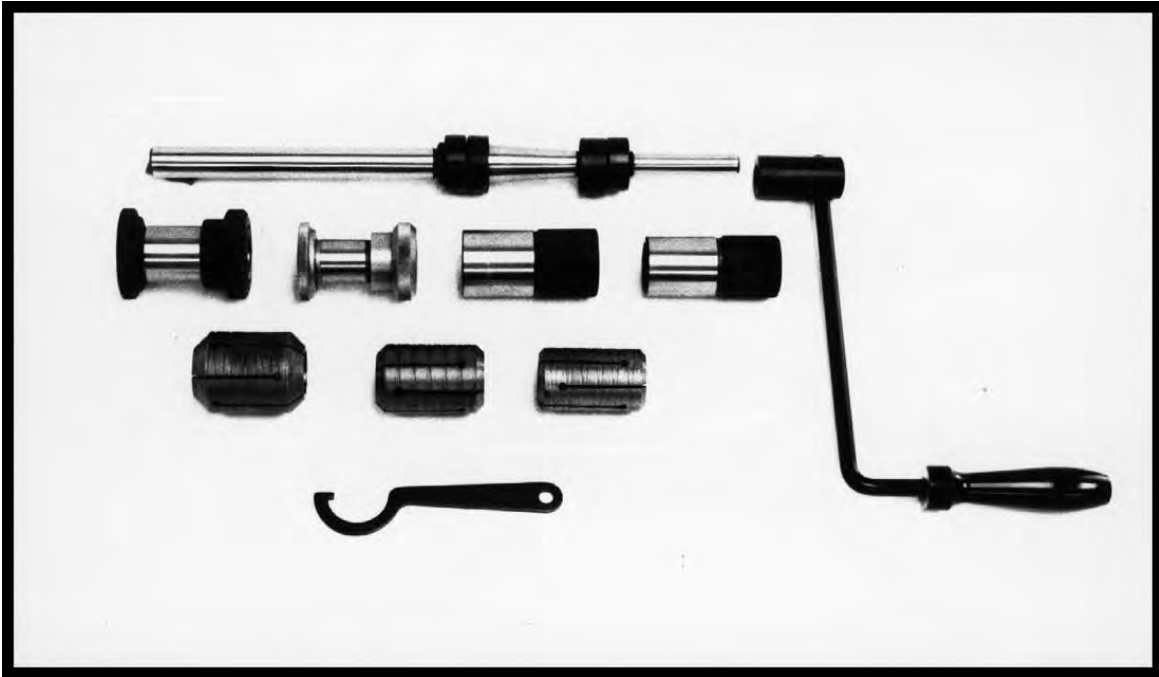


<u>EASTERN NUMBER</u>	<u>REPLACES OEM</u>	<u>DESCRIPTION</u>
A-9992	9992	pk-25 HOSE CLAMPS, **11/32" I.D.** BIG TWIN-SPORTSTER
A-9996	9996	pk-25 HOSE CLAMPS, **7/16" I.D.** BIG TWIN-SPORTSTER
A-10014	10014	pk-25 HOSE CLAMPS, **17/32" I.D.** BIG TWIN-SPORTSTER
A-10020A	10020A	pk-25 HOSE CLAMPS, **11/16" I.D.** BIG TWIN-SPORTSTER
A-10049	10049	pk-25 HOSE CLAMPS, **19/32" I.D.** BIG TWIN-SPORTSTER
A-10067	10067	pk-10 HOSE CLAMPS, **1/4" I.D.** BIG TWIN-SPORTSTER **STAINLESS**
A-10080	10080	pk-10 HOSE CLAMPS, **11/16" I.D.** BIG TWIN-SPORTSTER
A-10086	10086	pk-25 HOSE CLAMPS, **13/16" I.D.** BIG TWIN-SPORTSTER
A-10117	10117	pk-25 HOSE CLAMPS, **1/2" I.D.** BIG TWIN-SPORTSTER
A-10157	10157	pk-10 HOSE CLAMPS, **3/4" I.D.** BIG TWIN-SPORTSTER **STAINLESS**
A-10198	10198	pk-10 HOSE CLAMPS, **5/8" I.D.** BIG TWIN-SPORTSTER**STAINLESS**
A-10198A	10198	pk-25 HOSE CLAMPS, **5/8" I.D.** BIG TWIN-SPORTSTER
E-405		pk-10 MINI CLAMPS (OIL & GAS LINES) **3/16 TO 5/8" ** BIG TWIN-SPORTSTER
A-97087-65A	97087-65A	each HOSE CLAMP CRIMPING PLIERS, **OIL & GAS LINES**
A-97087-KIT	97087-KIT	KIT, HOSE CLAMPS AND PLIERS, **OIL & GAS LINES** KIT INCLUDES: (10) 9992, (10) 9996, (10) 10014, (10) 10020, (10) 10049, (10) 10080, (10) 10086
E-390		kit PETCOCK KIT, **FATBOB GAS TANKS** BIG TWIN 1936-1965
E-395	each	PETCOCK, (90 DEGREE OUTLET) **CHROME** BIG TWIN 1966-1974, SPORT. 1957-1974
E-402	25ft	FUEL LINE (NYLON BRAIDED) **1/4" ** BIG TWIN-SPORTSTER
E-404	25ft	FUEL LINE (NYLON BRAIDED) **3/8" ** BIG TWIN-SPORTSTER
E-405	pk-10	MINI CLAMPS (OIL & GAS LINES) **3/16 TO 5/8" ** BIG TWIN-SPORTSTER
E-406	25ft	FUEL LINE (BLACK NEOPRENE) **3/16" ** BIG TWIN-SPORTSTER
E-407	25ft	FUEL LINE (BLACK NEOPRENE) **1/4" ** BIG TWIN-SPORTSTER
E-408	25ft	FUEL LINE (BLACK NEOPRENE) **5/16" ** BIG TWIN-SPORTSTER
E-409	25ft	FUEL LINE (BLACK NEOPRENE) **3/8" ** BIG TWIN-SPORTSTER
V-13-180	each	FUEL FILTER, **1/4 X 2" INCH LONG** BIG TWIN, SPORTSTER, FORTY-FIVE
V-13-181	each	FUEL FILTER, **5/16 X 2" INCH LONG** BIG TWIN, SPORTSTER, FORTY-FIVE
V-13-182	pk-5	FUEL FILTER SCREENS, **FOR #13-180 & 13-181** BIG TWIN, SPORTSTER, FORTY-FIVE

**\*\*EASTERN MOTORCYCLE PARTS\*\***

**\*\*LAPPING TOOLS\*\***

**\*\*ENGINE\*\***



**ENGINE  
A-96710-40**



**ENGINE  
A-96710-40B**

**\*\*CONTINUED NEXT PAGE\*\***

**\*5120 HILDA ROAD\* BLACKVILLE, S.C. 29817\* 803-284-3304\***

**\*Pg 465\***

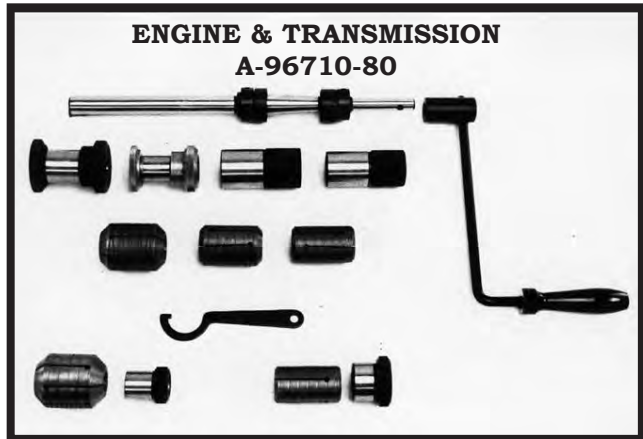
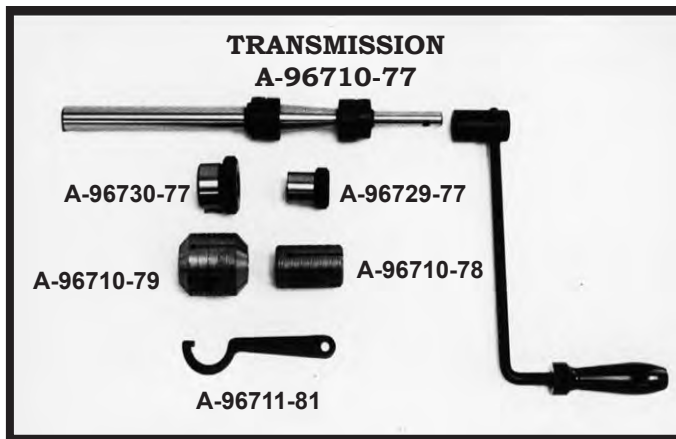


# **\*\*EASTERN MOTORCYCLE PARTS\*\***

## **\*\*LAPPING TOOLS\*\***

### **\*\*ENGINE, TRANSMISSION\*\***

### **\*\*COMBINATION\*\***



**\*\*ALL EASTERNS LAPPING TOOLS AND INDIVIDUAL PARTS\*\*  
\*\*ARE MADE IN THE U.S.A.\*\***

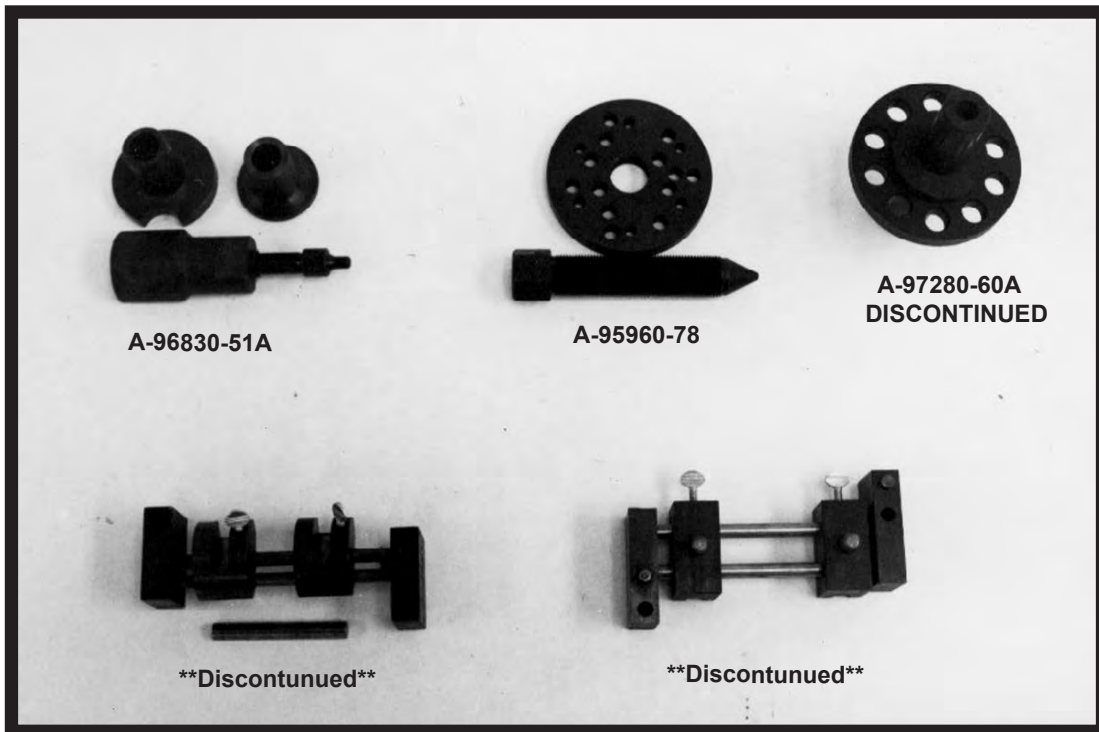
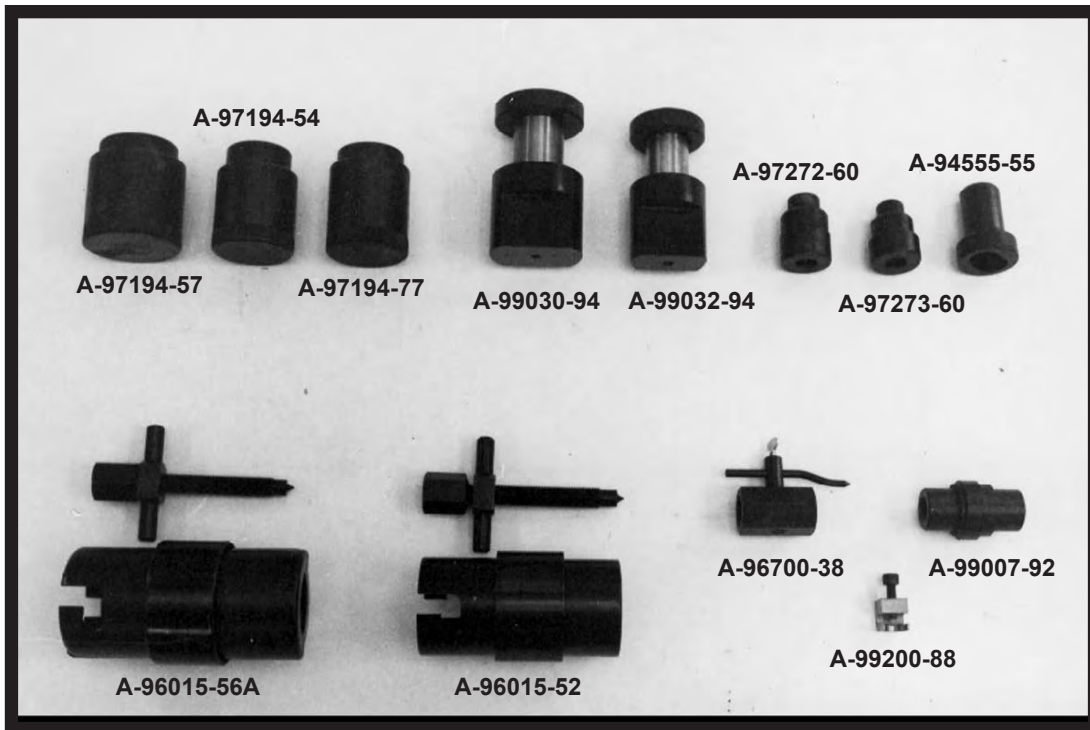
<u>EASTERN NUMBER</u>	<u>REPLACES OEM</u>	<u>DESCRIPTION</u>
A-96710-40	96710-40	CRANK CASE LAPPING TOOL, **ENGINE** BIG TWIN 1929-PRES., SPORTSTER 1952-1976 <b>INCL: 96711-81, 96715-40, 96716-40, 96717-40, 96718-40, 96718-58, 96727-56, 96728-56</b>
A-96710-40B		CRANK CASE LAPPING TOOL, **ENGINE** BIG TWIN 1929-PRES., SPORTSTER 1952-PRES. <b>INCLUDES EXTRA LAP HEAD AND PILOT: 96718-88 (1.562) FOR SPORTSTER 1987-PRES</b>
A-96710-77		TRANSMISSION LAPPING TOOL, BIG TWIN 1936-1977, SPORTSTER 1952-1983 <b>INCLUDES: A-96710-78, A-96710-79, A-96711-81, A-96729-77, A-96730-77</b>
A-96710-78		LAP HEAD, TRANSMISSION, **1.300 CAST IRON** SPORTSTER 1952-1984
A-96710-79		LAP HEAD, TRANSMISSION, **1.870 CAST IRON** BIG TWIN 1936-1977
A-96710-80		<b>ENGINE AND TRANSMISSION **LAPPING TOOL**</b> BIG TWIN 1930-PRES. SPORT. 1954-1977
A-96710-85		LAP HEAD AND PILOT, TRANSMISSION, **1.870 CAST IRON** BIG TWIN 1937-1977
A-96710-87		LAP HEAD AND PILOT, TRANSMISSION, **1.300 CAST IRON** SPORTSTER 1952-1984
A-96710-89		LAP HEAD AND PILOT, ENGINE, **1.562 CAST IRON** SPORTSTER 1987-PRESENT
A-96711-81		SPANNER WRENCH, **FOR LAPPING TOOLS** BIG TWIN 1930-PRES., SPORT. 1952-1977
A-96712-40	96712-40	LAPPING SHAFT ONLY, **ENGINE** (WITH NUTS AND SPACERS) B/T 1930-P., SP. 1952-1977
A-96712-40A		LAPPING SHAFT ONLY, **TRANS.** (WITH NUTS AND SPACERS) B/T 1930-P., SP. 1952-1977
A-96714-40	96713-40 96714-40	DRIVE HANDLE AND ARBOR, **ENGINE & TRANS.** BIG TWIN 1930-PRES., SP. 1952-1976
A-96715-40	96715-40	GUIDE SLEEVE, ENGINE LAPPING TOOL **1-1/2** BIG TWIN 1930-1954
A-96716-40	96716-40	GUIDE SLEEVE, ENGINE LAPPING TOOL **1-3/8** B/T 1955-1957, FORTY-FIVE 1929-1973
A-96717-40	96717-40	LAP HEAD, ENGINE, **1.500 CAST IRON** BIG TWIN 1930-1954
A-96718-40	96718-40	LAP HEAD, ENGINE, **1.375 CAST IRON** BIG TWIN 1955-1957, SPORTSTER 1954-1976
A-96718-58	96718-58	LAP HEAD, ENGINE, **1.750 CAST IRON** BIG TWIN 1958-PRESENT
A-96718-88		LAP HEAD, PINION SHAFT, **1.562 CAST IRON** SPORTSTER 1987-PRESENT
A-96727-56	96727-56A	GUIDE SLEEVE, ENGINE LAPPING TOOLS, **TIMKEN BEARINGS** BIG TWIN 1955-PRES.
A-96728-56	96728-56A	GUIDE SLEEVE, ENGINE LAPPING TOOLS, **TIMKEN BEARINGS** SPORT. 1954-1976
A-96728-77	96728-77	GUIDE SLEEVE, ENGINE LAPPING TOOLS, **TIMKEN BEARINGS** SPORTSTER 1977-PRES
A-96729-77	96729-77	PILOT ONLY, SMALL ** <b>.983 OD</b> ** TRANSMISSION LAPPING TOOL, BIG TWIN 1936-1977
A-96730-77	96729-77	PILOT ONLY, LARGE ** <b>1.377 OD</b> ** TRANSMISSION LAPPING TOOL, SPORTSTER 1952-1983

**\*5120 HILDA ROAD\* BLACKVILLE, S.C. 29817\* 803-284-3304\***

**\*\*EASTERN MOTORCYCLE PARTS\*\***

**\*\*TOOLS\*\***

**\*\*BIG TWIN-SPORTSTER\*\***



**\*\*CONTINUED NEXT PAGE\*\***

**\*5120 HILDA ROAD\* BLACKVILLE, S.C. 29817\* 803-284-3304\***

**\*Pg 467\***



# **\*\*EASTERN MOTORCYCLE PARTS\*\***

## **\*\*TOOLS\*\***

### **\*\*BIG TWIN-SPORTSTER\*\***



<b><u>EASTERN NUMBER</u></b>	<b><u>REPLACES OEM</u></b>	<b><u>DESCRIPTION</u></b>
A-94455-89	94455-89	SHOCK ABSORBER ADJUSTMENT WRENCH, BIG TWIN 1989-PRESENT
A-94555-55	94555-55A	PINION SHAFT NUT REMOVER, BIG TWIN 1955-1989
A-94630-67	94630-67	WHEEL HUB BEARING LOCK NUT WRENCH, BIG TWIN 1967-1972, SPORT. 1955-1967
A-94635-41A	94635-41A	MAINSHAFT BALL BEARING LOCKNUT WRENCH, <b>**4-SPEED**</b> BIG TWIN 1936-1984
A-94700-52B	94700-52B	SHOCK ABSORBER ADJUSTMENT WRENCH, BIG TWIN-SPORTSTER
A-95960-78	95960-78	CLUTCH HUB PULLER, BIG TWIN-SPORTSTER
A-96015-52	96015-52	SPROCKET SHAFT BEARING PULLER, <b>**TIMKEN BEARINGS**</b> SPORTSTER 1952-1976
A-96015-56A	96015-56A	SPROCKET SHAFT BEARING PULLER, <b>**TIMKEN BEARINGS**</b> BIG TWIN 1955-1969
A-96295-65	96295-65	TIMING HOLE PLUG, CLEAR PLASTIC, BIG TWIN-SPORTSTER
A-96630-19	96630-19	TRUING STAND INDICATORS, BIG TWIN-SPORTSTER
A-96700-38	96700-38	END PLAY GAUGE, <b>**ENGINE &amp; TRANSMISSION**</b> BIG TWIN 1938-1954
A-96780-32A	96780-32A	PISTON PIN LOCK RING INSTALLER, <b>**SPLIT LOCKS**</b> B/T 1936-1948, FORTY-FIVE 32-72
A-96785-93		PISTON PIN LOCK RING INSTALLER, BIG TWIN 1984-1999, SPORTSTER 1985-PRES
A-96830-51A	96830-51A	PINION GEAR PULLER, BIG TWIN-SPORTSTER
A-97087-65A	97087-65A	HOSE CLAMP CRIMPING PLIERS, <b>**OIL &amp; GAS LINES**</b> BIG TWIN-SPORTSTER
A-97087-KIT		HOSE CLAMP PLIERS AND CLAMPS <b>**OIL &amp; GAS LINES**</b> BIG TWIN-SPORTSTER KIT INCLUDES: (10) 11/32, (10) 7/16, (10) 17/32, (10) 11/16, (10) 19/32, (10) 13/16

**\*\*CONTINUED NEXT PAGE\*\***

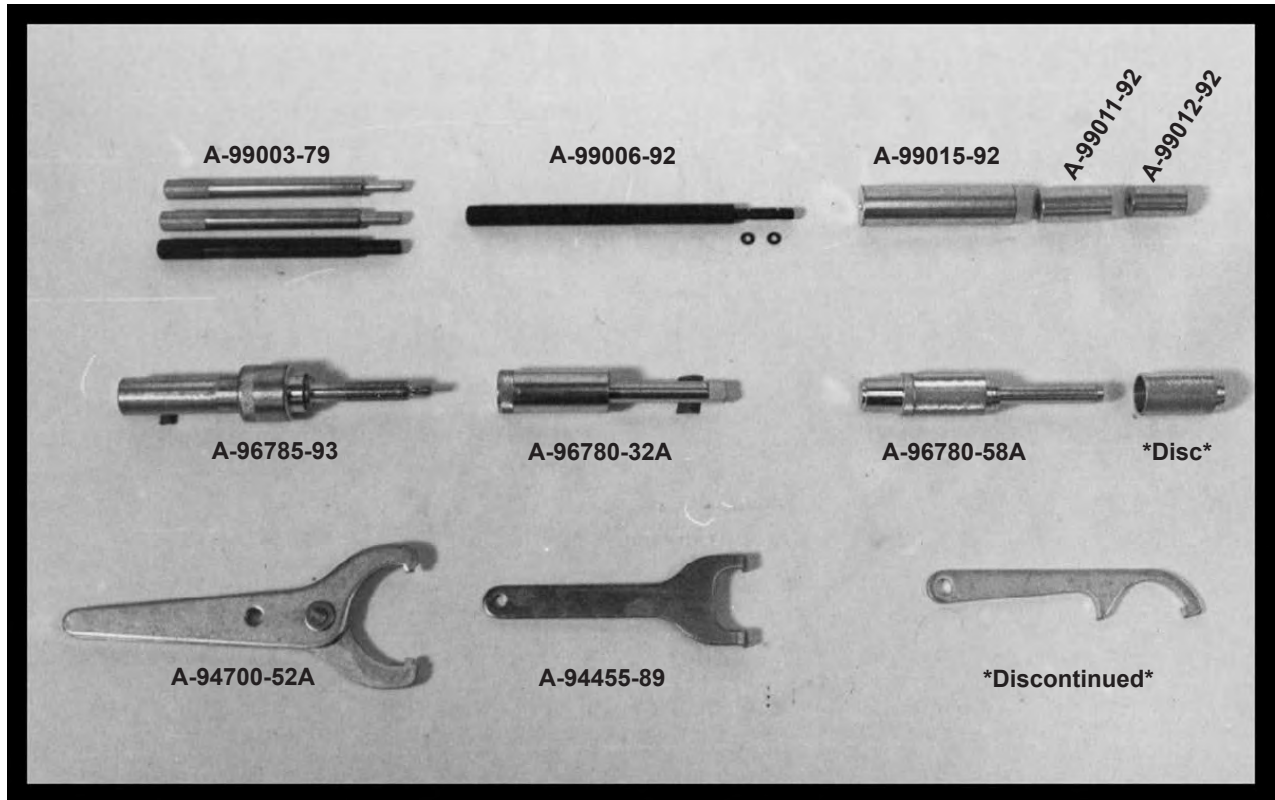
**\*5120 HILDA ROAD\* BLACKVILLE, S.C. 29817\* 803-284-3304\***

**\*Pg 468\***

# **\*\*EASTERN MOTORCYCLE PARTS\*\***

## **\*\*TOOLS\*\***

### **\*\*BIG TWIN-SPORTSTER\*\***



<u>EASTERN NUMBER</u>	<u>REPLACES OEM</u>	<u>DESCRIPTION</u>
A-97194-54	97194-54	OUTER RACE PRESS PLUG, **TO INSTALL & REMOVE BEARING RACE** SP. 1954-1976
A-97194-57	97194-57	OUTER RACE PRESS PLUG, **TO INSTALL & REMOVE BEARING RACE** B/T 1955-PRES
A-97194-77	97194-77	OUTER RACE PRESS PLUG, **TO INSTALL & REMOVE BEARING RACE** SP. 1977-PRES
A-97225-55	97225-55	SPROCKET SHAFT INSTALLING TOOL, BIG TWIN 1955-PRESENT
A-97272-60	97272-60	CAM BEARING INSTALLER, BIG TWIN 1958-PRESENT
A-97273-60	97273-60	CAM BEARING INSTALLER, SPORTSTER 1958-1991
A-99003-79	set-3	VALVE GUIDE INSTALLING TOOL, **5/16, 11/32, 3/8** BIG TWIN 1936-1984, SP. 1952-1985
A-99004-79		MAIN DRIVE GEAR INSTALLING TOOL, **4-SPEED** BIG TWIN 1936-1984
A-99005-92		DRIVER HANDLE, **USED ON KENT-MOORE TOOLS 33071, 34734, 39301**
A-99006-92		DRIVER HANDLE, (VALVE GUIDES) USED ON KENT-MOORE TOOLS 33871, 34643, 34731
A-99007-92		MAIN DRIVE GEAR BEARING & SEAL INSTALLER, **5-SPEED**
A-99011-92		VALVE GUIDE INSTALLER, **USE DRIVER # 99006-92** SPORTSTER 1957-1985

**\*\*CONTINUED NEXT PAGE\*\***

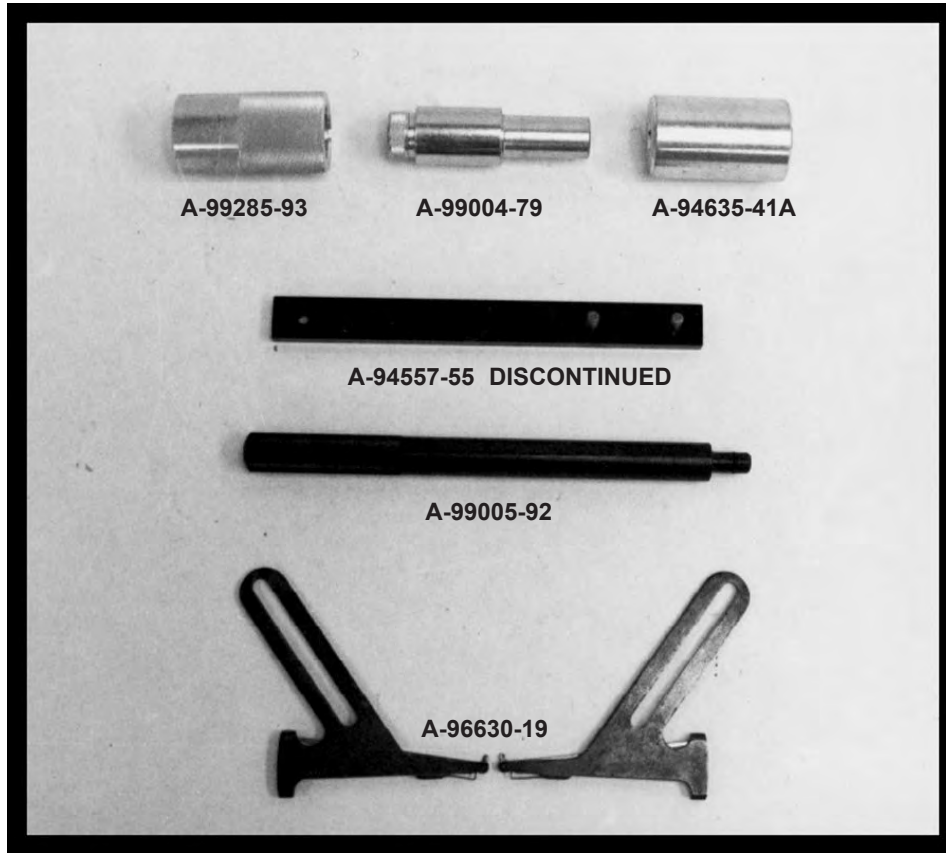
**\*5120 HILDA ROAD\* BLACKVILLE, S.C. 29817\* 803-284-3304\***

**\*Pg 469\***

# **\*\*EASTERN MOTORCYCLE PARTS\*\***

## **\*\*TOOLS\*\***

### **\*\*BIG TWIN-SPORTSTER\*\***



#### **EASTERN NUMBER**

A-99012-92  
A-99015-92  
A-99020-92  
A-99030-94  
A-99032-94  
A-99200-88  
A-99285-93  
A-99501-96

#### **REPLACES OEM**

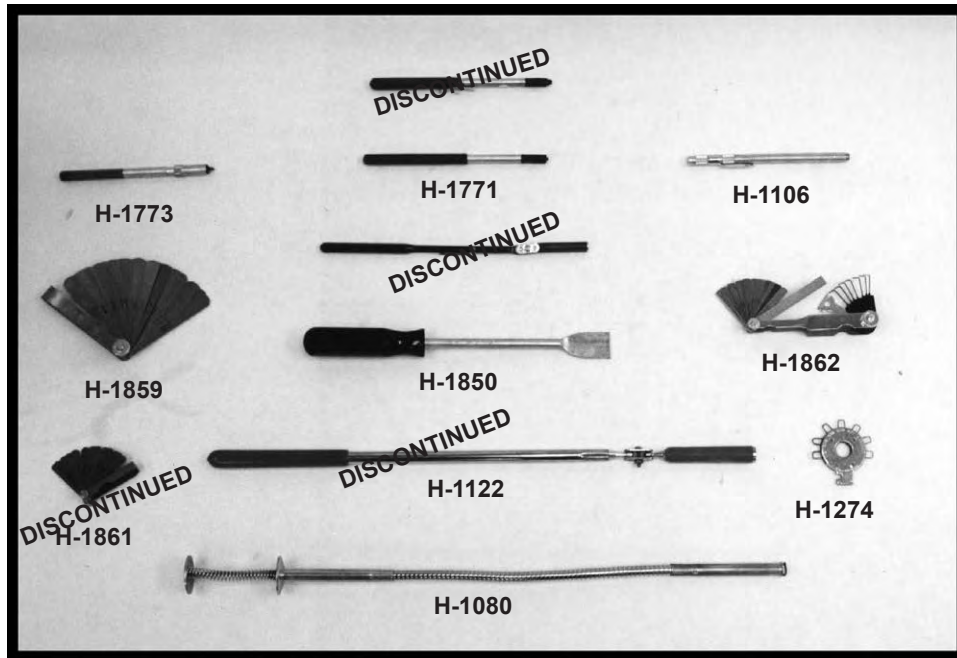
kit-3

#### **DESCRIPTION**

VALVE GUIDE INSTALLER, \*\*USED FOR SHOULDER LESS GUIDES\*\* BIG TWIN 1985-P.  
VALVE GUIDE SEAL INSTALLER, FOR SHOULDER LESS GUIDES B/T 1985-P., SP. 1986-P.  
CLUTCH SPRING COMPRESSOR, \*\*DIAPHRAGM CLUTCH\*\* SPORTSTER L/1984-1990  
END PLAY TOOL, \*\*TIMKEN BEARINGS\*\* BIG TWIN 1955-PRESENT  
END PLAY TOOL, \*\*TIMKEN BEARINGS\*\* SPORTSTER 1977-PRESENT  
IGNITION TIMER TOOL, \*\*POINT TYPE\*\* BIG TWIN 1970-1978, SPORTSTER 1971-1978  
FRONT FORK BUSHING & SEAL INSTALLER, (F.X.) BIG TWIN 1984-PRES., SP. 1984-P.  
SPROCKET SHAFT OUTER RACE BEARING INSTALLER, BIG TWIN-SPORTSTER

# **\*\*EASTERN MOTORCYCLE PARTS\*\***

## **\*\*HASTINGS TOOLS\*\***



**EASTERN  
NUMBER**

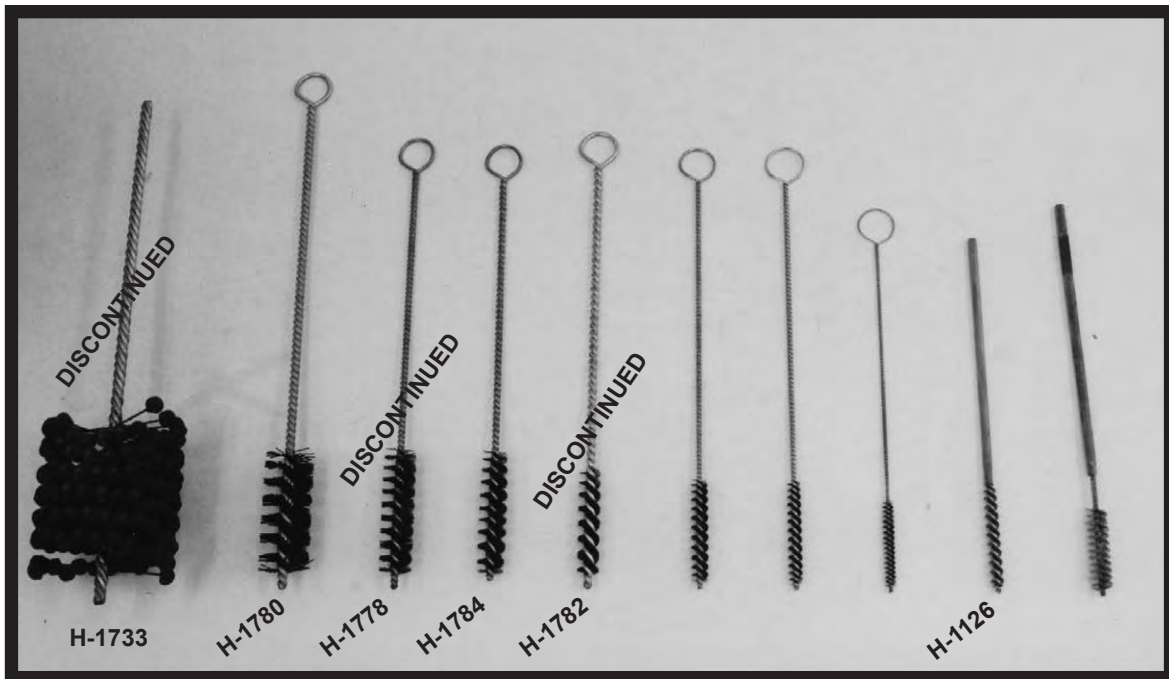
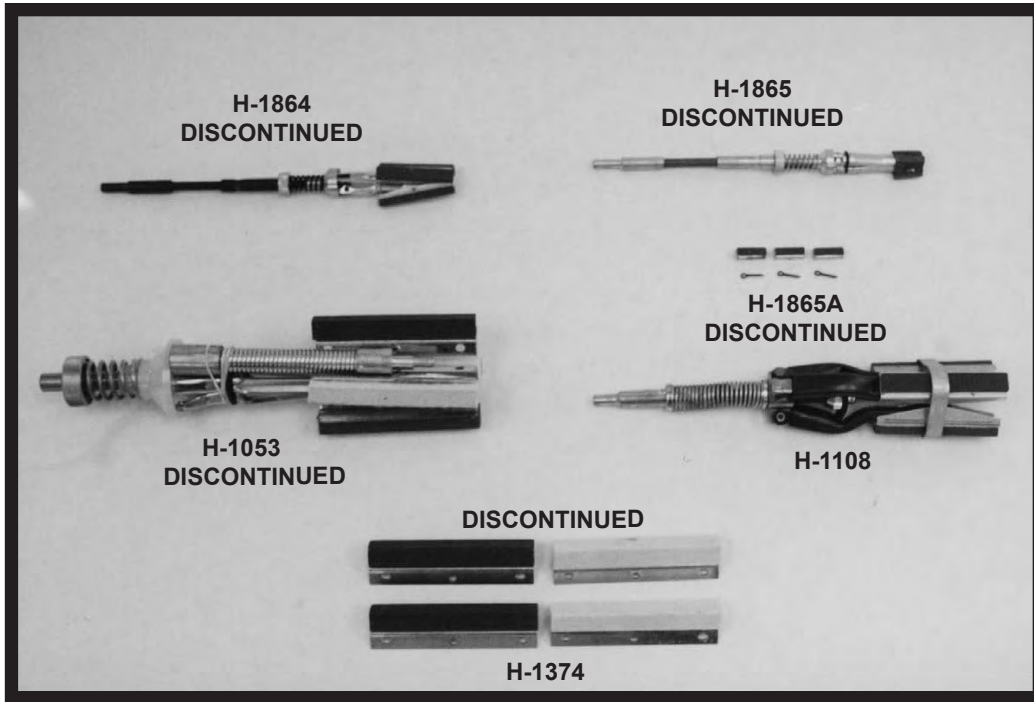
**REPLACES  
OEM**

**DESCRIPTION**

H-1080		FLEXIBLE PICK UP TOOL, (TO PICK UP SMALL PARTS)
H-1106		POCKET MAGNET, **6" LENGTH**
H-1274		SPARK PLUG WIRE GAUGE, (ROUND) **.020 TO .040**
H-1771		SCREW STARTER **STRAIGHT SLOTTED SCREWS**
H-1773		SCREW STARTER **TROX HEAD**
H-1850		GASKET SCRAPER **1" WIDE, 9" LONG**
H-1859		FELLER GAUGE **25 BLADES, .0015 TO .035**
H-1862		FEELER GAUGE, PLUGS & IGNITION

**\*\*EASTERN MOTORCYCLE PARTS\*\***

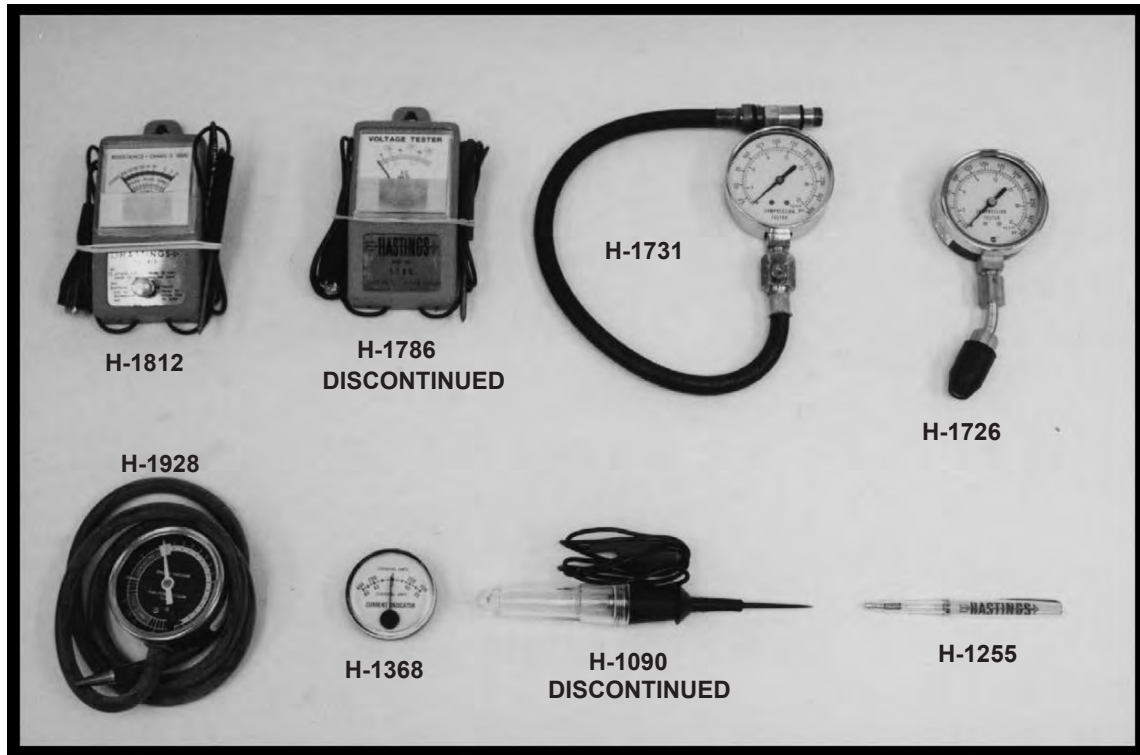
**\*\*HASTINGS TOOLS\*\***





# **\*\*EASTERN MOTORCYCLE PARTS\*\***

## **\*\*HASTINGS TOOLS\*\***



**EASTERN  
NUMBER**

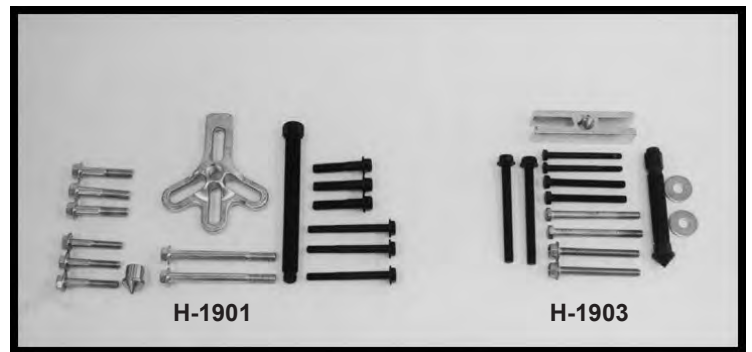
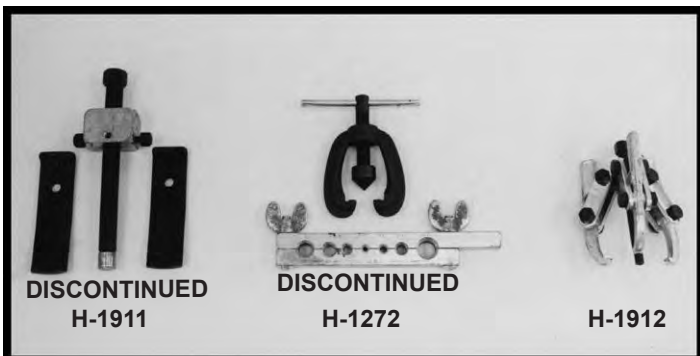
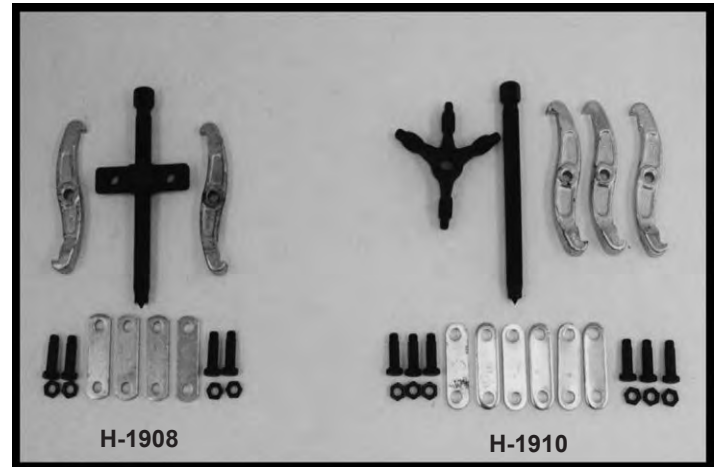
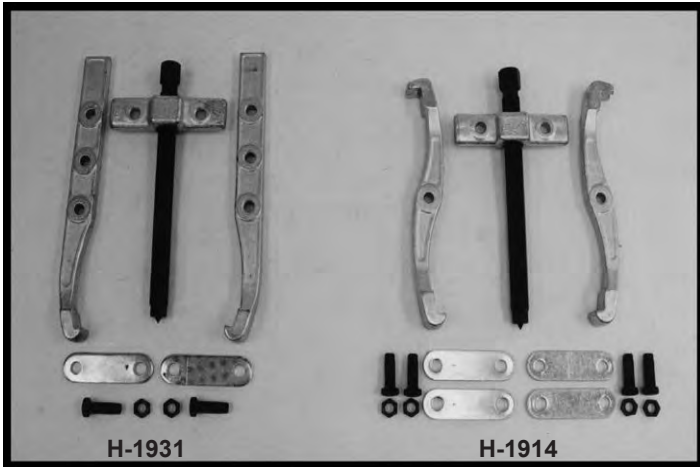
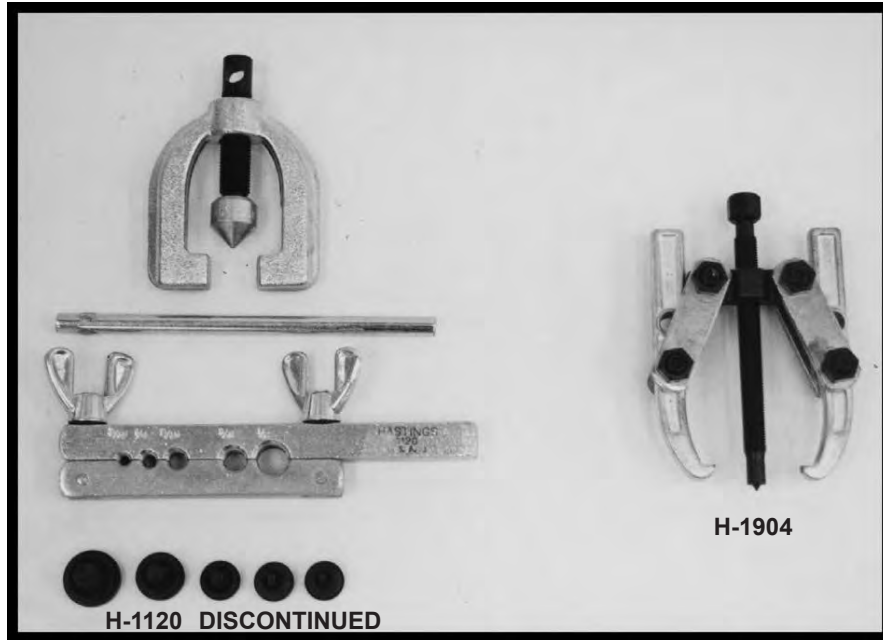
**REPLACES  
OEM**

**DESCRIPTION**

H-1108		CYLINDER WALL DEGLAZER, **2" TO 5" (USES 4" LONG STONES)
H-1126		VALVE GUIDE BRUSH, **5/16**
H-1127		VALVE GUIDE BRUSH, **3/8**
H-1255		SPARK PLUG FIRING TESTER
H-1368		CURRENT INDICATOR, **STARTER 80-0-80**
H-1726		COMPRESSOR TEST **POCKET SIZE**
H-1780		CLEANING BRUSH **1-1/8 X 12" LONG**
H-1784		CLEANING BRUSH **5/8 X 12" LONG**
H-1812		SPARK PLUG WIRE AND OHM METER
H-1927		COMPRESSION TESTER **14 & 18MM**
H-1928		VACUUM AND PRESSURE TESTER
H-3183		BAKE CYLINDER HONE, **3/4 TO 3**

**\*\*EASTERN MOTORCYCLE PARTS\*\***

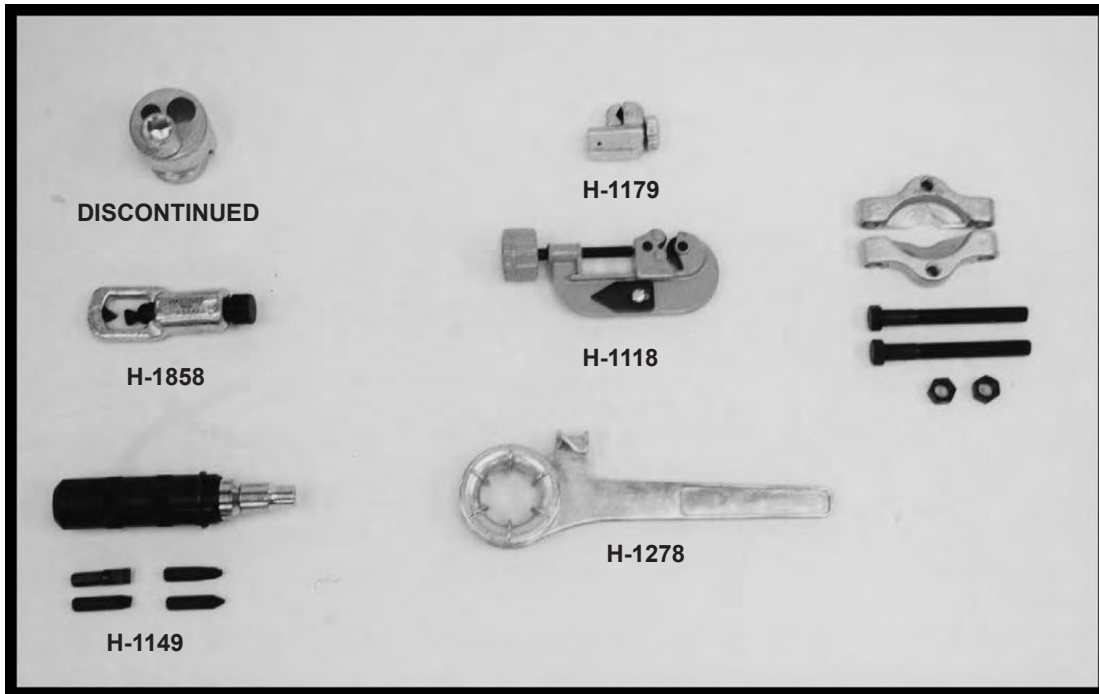
**\*\*HASTINGS TOOLS\*\***





# **\*\*EASTERN MOTORCYCLE PARTS\*\***

## **\*\*HASTINGS TOOLS\*\***



**EASTERN  
NUMBER**

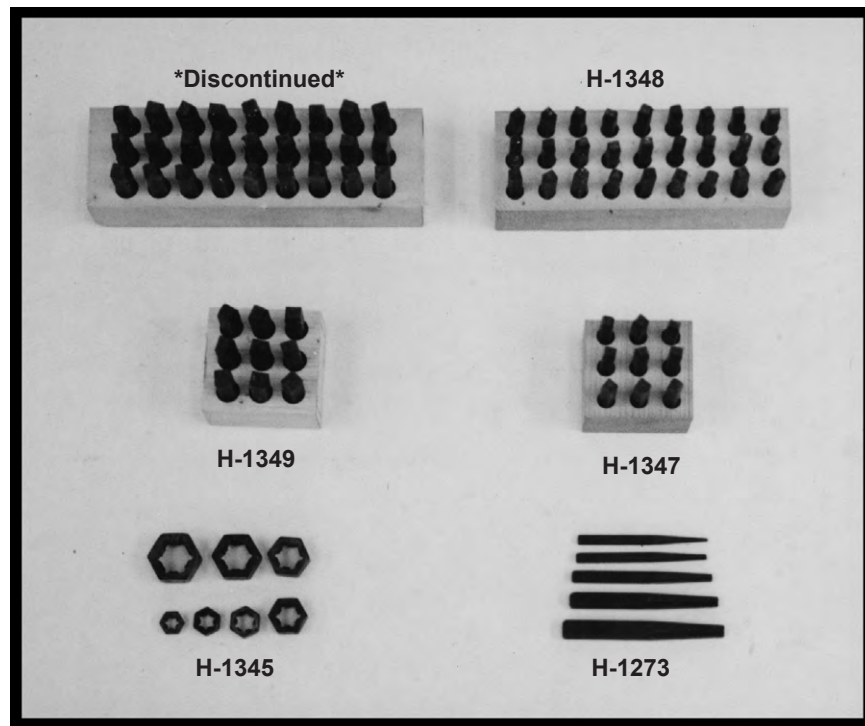
**REPLACES  
OEM**

**DESCRIPTION**

H-1118		TUBE CUTTER(COPPER OR STEEL)
H-1149		IMPACT DRIVER, **WITH ASSORTED PHILLIPS & STRAIGHT BITS**
H-1149D		IMPACT DRIVER BIT, **#2 PHILLIPS**
H-1149E		IMPACT DRIVER BIT, **#3 PHILLIPS**
H-1149F		IMPACT DRIVER BIT, **#4 PHILLIPS**
H-1179		MIDGET TUBING CUTTER
H-1278		TUBING BENDER, **1/8 X 1/2**
H-1858		NUT SPLITTER **UP TO 3/4 INCH**
H-1901		PULLER **BOLT STYLE**
H-1903		STEERING WHEELER PULLER **BOLT STYLE**
H-1904		TWO JAW PULLER **1/2" TO 4" 3-1/2" REACH
H-1908		TWO JAW PULLER **6" INCH REVERSIBLE** 3-1/2" REACH
H-1910		TWO OR THREE JAW PULLER **7" INCH REVERSIBLE** 3-1/2" REACH
H-1912		THREE JAW PULLER, **4" INCH ADJUSTABLE**
H-1914		TWO JAW PULLER **9" INCH REVERSIBLE** 0 TO 8" INCH REACH

# **\*\*EASTERN MOTORCYCLE PARTS\*\***

## **\*\*HASTINGS TOOLS\*\***

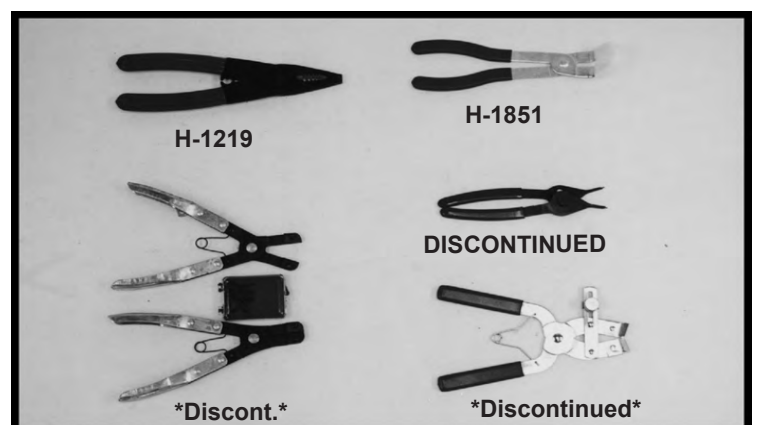
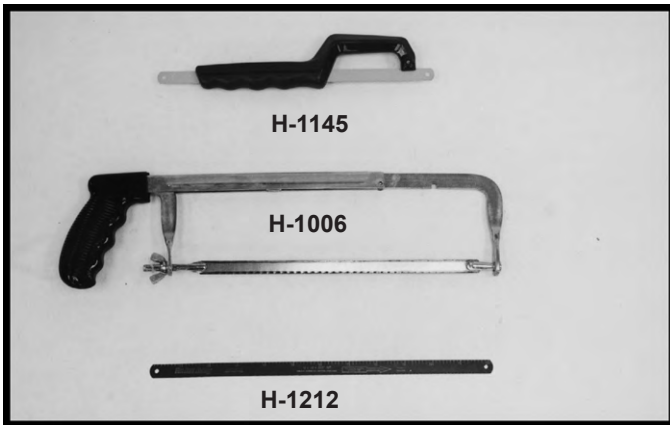
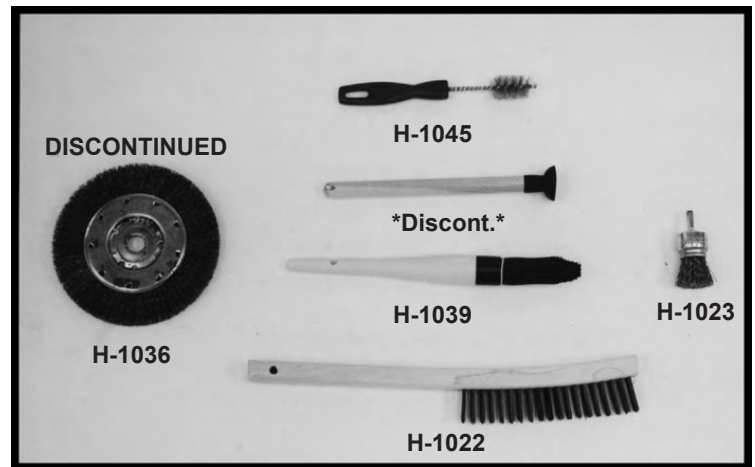
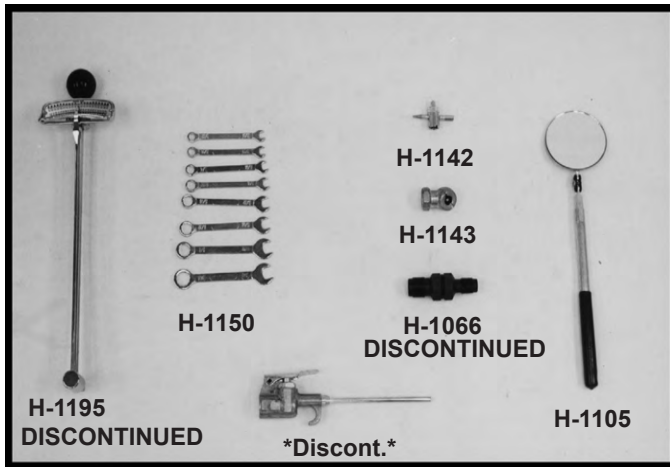


**\*\*SOME PARTS LISTED MAY NOT BE SHOWN\*\***

<u>EASTERN NUMBER</u>	<u>REPLACES OEM</u>	<u>DESCRIPTION</u>
H-1013		ALLEN WRENCH SET, **5/64 TO 1/4**
H-1141		TIRE GAUGE, **10 TO 50 LBS**
H-1151		WRENCH SET, (5 SIZES) **1/4 TO 7/8** RATCHETING BOX STYLE
H-1270		ALLEN WRENCH SET, **.050 TO 3/16**
H-1273		SCREW EXTRACTORS, TAPERED FLUTE
H-1344		RE-TREADING DIE SET, COARSE, **1/4 TO 5/8**
H-1345		RE-TREADING DIE SET, FINE, **1/4 TO 5/8**
H-1347		METAL STAMPS, **1/8" NUMBERS**
H-1348		METAL STAMPS, **1/8" LETTERS**
H-1349		METAL STAMPS, **3/16" NUMBERS**
H-1670B		RING BAND ONLY, **2-7/8 TO 3-1/8**
H-1670C		RING BAND ONLY, **3-1/8 TO 3-3/8**
H-1670D		RING BAND ONLY, **3-3/8 TO 3-5/8**
H-1671		HOSE CLAMP PLIERS, SPRING LOCKS
H-1725		BATTERY CELL TESTER
H-1866		FILES, IGNITION POINTS

# **\*\*EASTERN MOTORCYCLE PARTS\*\***

## **\*\*HASTINGS TOOLS\*\***



<u>EASTERN NUMBER</u>	<u>REPLACES OEM</u>	<u>DESCRIPTION</u>
H-1006		HACKSAW WITH 10" BLADE
H-1022		WIRE HAND BRUSH, **6" BRUSH**
H-1023		WIRE BRUSH, **1" DIAMETER**
H-1038		WIRE BRUSH, **1" DIAMETER** (KNOTTED END)
H-1039		PARTS CLEANING BRUSH
H-1045		UTILITY & SOCKET CLEANING BRUSH
H-1105		TELESCOPING MIRROR, **2 INCH**
H-1142		VALVE CORE TOOL, **3 IN 1**
H-1143		AIR CHUCK HEAD, **SINGLE FACE**
H-1145		MIDGET HACKSAW, FOR USE OF BROKEN BLADES
H-1150		WRENCH SET, (8 SIZES) **1/4 TO 7/8**
H-1212		HACKSAW BLADE, **12" LONG, 32 TOOTH** (PREMIUM GRADE)
H-1219		WIRE STRIPPER & CRIMPING PLIERS
H-1851		SPARK PLUG PLIERS **SHOCK PROOF**

# **\*\*EASTERN MOTORCYCLE PARTS\*\***

## **\*\*CROSS REFERENCE\*\***

### **\*\*ANDREWS\*\***

<u>ANDREWS NUMBER</u>	<u>EASTERN NUMBER</u>	<u>PAGE NUMBER</u>
201020	74-0716	407
201090	74-0711	407
201094	74-0713	407
201105	74-0705	407
201145	74-0709	407
202160	74-0765	203, 407
203365	74-0720	407
203375	74-0722	407
204260	74-0755	206, 407
204280	74-0758	206, 407
205120	74-0775	203, 405
205340	74-0768	209, 405
206215	74-0760	407
206220	74-0762	207, 208, 407
206330	74-0728	203, 407
206335	74-0730	203, 407
208500	74-0745	206, 208, 412
208650	74-0748	206, 208, 412
208700	74-0750	206, 208, 412
208800	74-0752	206, 412
209750	74-0735	405
209760	74-0737	405
210150	74-0782	408
210250	74-0784	408
210350	74-0786	408
210450	74-0788	408
210550	74-0792	408
210650	74-0794	408
210750	74-0796	408
210850	74-0798	408
212011	74-0224	397
212020	74-0226	397
212030	74-0228	397
212130	74-0272	396
212140	74-0274	396
212150	74-0276	396
212220	74-0236	397
212230	74-0238	397
212240	74-0240	397
212260	74-0243	397
212263	74-0245	397
212267	74-0247	397
212310	74-0216	397
212320	74-0218	397
212330	74-0278	396
212335	74-0220	397
212340	74-0280	396
212350	74-0282	396
212351	74-0249	397
212353	74-0251	397
212358	74-0253	397
212420	74-0254	397
212430	74-0256	397
212440	74-0258	397
212510	74-0260	397
212533	74-0261	397

### **\*\*ANDREWS\*\***

<u>ANDREWS NUMBER</u>	<u>EASTERN NUMBER</u>	<u>PAGE NUMBER</u>
212536	74-0263	397
212539	74-0265	397
212600	74-0266	397
212610	74-0268	397
212620	74-0270	397
212630	74-0284	396
212640	74-0286	396
212650	74-0288	396
212740	74-0208	396
212750	74-0210	396
212760	74-0212	396
212960	74-0338	400
212965	74-0334	400
212970	74-0330	400
212980	74-0332	400
214010	74-0402	403
214014	74-0404	403
214020	74-0406	403
214025	74-0408	403
214040	74-0412	403
214045	74-0414	403
214050	74-0416	403
214055	74-0418	403
214075	74-0422	403
214080	74-0424	403
214085	74-0426	403
214090	74-0428	403
214105	74-0432	403
214110	74-0434	403
214115	74-0436	403
214120	74-0438	403
214135	74-0442	403
214140	74-0444	403
214145	74-0446	403
214150	74-0448	403
214220	74-0452	403
214225	74-0454	403
214230	74-0456	403
214235	74-0458	403
214330	74-0472	403
214335	74-0474	403
214380	74-0398	396
237230	74-1204	303
237240	74-1200	303
240030	74-0626	404
240040	74-0645	404
240055	74-0624	404
240060	74-0647	404
250100	74-0580	409
250101	74-0582	409
250200	74-0584	409
250201	74-0586	409
250202	74-0588	409
250300	74-0590	409
250301	74-0592	409
250400	74-0594	409
250401	74-0596	409
251010	74-0832	410

### **\*\*ANDREWS\*\***

<u>ANDREWS NUMBER</u>	<u>EASTERN NUMBER</u>	<u>PAGE NUMBER</u>
251020	74-0802	410
251050	74-0860	215, 410
251060	74-0856	219, 410
252020	74-0865	215, 410
252040	74-0885	218, 410
253030	74-0880	218, 410
253050	74-0870	216, 410
254710	74-0910	216, 410
254720	74-0808	410
254730	74-0912	216, 410
254740	74-0810	410
254850	74-0812	410
255580	74-0890	218, 410
255620	74-0820	410
258080	74-0845	215, 412
258120	74-0850	215, 412
258190	74-0852	215, 412
259010	74-0875	218, 412
271100	74-0666	405
272110	74-0684	405
273120	74-0670	405
276150	74-0668	405
277160	74-0674	405
288010	74-1401	401
288015	74-1399	50, 401
288020	74-1403	401
288121	74-1301	51, 401
288126	74-1302	51, 401
288131	74-1303	51, 401
288137	74-1304	51, 401
288144	74-1305	51, 401
288150	74-1306	51, 401
288155	74-1307	51, 401
288160	74-1308	51, 401
288167	74-1312	51
290290	74-0150	404
290294	74-0152	404
290300	74-0162	404
290304	74-0160	404
290340	74-0154	404
290344	74-0156	404
291110	74-0350	398
291113	74-0372	398
291117	74-0375	399
291123	74-0373	398
291127	74-0374	398
291130	74-0354	398
291135	74-0376	399
291146	74-0377	399
291150	74-0358	398
291157	74-0382	399
291170	74-0364	398
291179	74-0388	399
291190	74-0368	398
292020	74-0635	404
292025	74-0639	404
292088	74-0652	404
292090	74-0637	404

# **\*\*EASTERN MOTORCYCLE PARTS\*\***

## **\*\*CROSS REFERENCE\*\***

### **\*\*ANDREWS\*\***

### **\*\*CRANE\*\***

### **\*\*CRANE\*\***

<u>ANDREWS NUMBER</u>	<u>EASTER NUMBER</u>	<u>PAGE NUMBER</u>	<u>CRANE NUMBER</u>	<u>CRANE NUMBER</u>	<u>PAGE NUMBER</u>	<u>CRANE NUMBER</u>	<u>CRANE NUMBER</u>	<u>PAGE NUMBER</u>
292095	74-0641	404	1-0021	75-0124	414	4-0022	75-0323	418
292110	74-0630	404	1-0054	75-0126	414	4-0030	75-0313	418
292140	74-0632	404	1-0057	75-0128	414	5-0000	75-0360	418
292188	74-0650	404	1-0059	75-0114	414	5-1001	75-0378	419
293115	74-0664	405	1-0062	75-0116	415	5-1002	75-0379	419
294150	74-0680	405	1-0063	75-0132	415	5-1004	75-0383	419
296081	74-1110	408	1-0064	75-0148	415	5-1100	75-0370	418
296082	74-1112	408	1-0065	75-0113	414	5-1200	75-0396	418
296085	74-1116	408	1-0066	75-0129	414	6-0100	75-0302	418
296086	74-1118	408	1-0067	75-0145	414	7-0000-	75-0225	418
296090	74-1122	408	1-0068	75-0115	414	7-0001-	75-0228	418
296091	74-1128	409	1-0069	75-0131	414	7-0001-	75-0227	418
296092	74-1124	409	1-0070	75-0147	414	9-0010	75-0275	419
296093	74-1130	409	1-0102	75-0183	415	9-0011	75-0267	419
296110	74-0930	406	1-0104	75-0133	415	9-0020	75-0278	419
296120	74-0932	211, 213, 406	1-0105	75-0149	415	9-0021	75-0271	419
296125	74-0934	211, 213, 406	1-0106	75-0118	415	99016-1	75-0264	419
296220	74-0936	211, 406	1-0107	75-0134	415	99018-1	75-0260	419
296330	74-0940	211, 460	1-0108	75-0150	415	99026-1	75-0252	419
296440	74-0945	211, 406	1-1000	75-0160	416	99028-1	75-0248	419
296445	74-0950	211, 406	1-1001	75-0163	416	99405-1	75-0237	419
296550	74-0954	211, 406	1-1100	75-0185	416			
296555	74-0947	211, 406	1-1101	75-0187	417			
296585	74-0957	211, 406	1-1102	75-0189	417			
296591	74-0959	211, 406	1-1103	75-0191	417			
296700	74-0975	211, 213, 412	1-3000	75-0193	51, 417			
296800	74-0990	211, 412	3-1100	75-0340	418			
296850	74-0992	211, 412	4-0010	75-0315	418			
296900	74-0994	211, 412	4-0019	75-0317	418			
296910	74-0996	211, 213, 412	4-0020	75-0320	92, 418			
298120	74-0482	402						
298125	74-0483	402						
298140	74-0486	402						
298145	74-0487	402						
298160	74-0490	402						
298165	74-0491	402						
298180	74-0494	402						
298185	74-0495	402						
299102	74-0520	411						
299103	74-0525	411						
299104	74-0535	411						
299105	74-0550	411						
299110	74-0515	411						
299144	74-0540	411						
299155	74-0555	411						
299170	74-0560	221, 412						
299180	74-0565	221, 412						
299900	74-0570	409						
288121G	74-1351	51, 401						

**CONTINUED NEXT PAGE**

**\*5120 HILDA ROAD\* BLACKVILLE, S.C. 29817\* 803-284-3304\***

**\*Pg 479\***

# **\*\*EASTERN MOTORCYCLE PARTS\*\***

## **\*\*CROSS REFERENCE\*\***

### **\*\*HELI-COIL\*\***

### **\*\*COMETIC\*\***

### **\*\*COMETIC\*\***

<u>HELI-COIL NUMBER</u>	<u>HELI-COIL NUMBER</u>	<u>PAGE NUMBER</u>	<u>COMETIC NUMBER</u>	<u>EASTERN NUMBER</u>	<u>PAGR NUMBER</u>	<u>COMETIC NUMBER</u>	<u>EASTERN NUMBER</u>	<u>PAGE NUMBER</u>
5334-14	70-0120	459	C9063	54-1224	445	C9465	54-1412	447
5521-1	70-0250	460	C9064	54-1109	444	C9466	54-1414	447
5521-2	70-0220	459	C9066	54-1128	445	C9468	54-1418	447
5521-3	70-0230	460	C9067	54-1121	445	C9469	54-1420	447
5521-4	70-0260	460	C9068	54-1163	443	C9470	54-1361	443
5521-5	70-0310	460	C9073	54-1010	444	C9472	54-1323	442
5521-6	70-0330	460	C9075	54-1202	445	C9473	54-1321	442
5521-7	70-0360	460	C9078	54-1206	445	C9476	54-1315	442
5528-3	70-0240	460	C9111	54-1014	444	C9477	54-1317	442
5528-4	70-0280	460	C9112	54-1311	442	C9478	54-1367	443
5528-5	70-0320	460	C9302-F5	54-7005	47, 426	C9479	54-1371	443
5528-6	70-0350	460	C9303-S5	54-3490	446	C9638	54-1028	444
5528-7	70-0380	460	C9308-S5	54-3480	446	C9639	54-1424	447
80-125	70-0605	460	C9310-S5	54-3495	446	C9640	54-1426	447
80-164	70-0607	460	C9311-S5	54-3562	77, 446			
80-190	70-0610	460	C9314-S5	54-3497	442			
80-250	70-0612	460	C9331-F5	54-7180	429			
80-312	70-0615	460						
80-375	70-0617	460						
80-401	70-0660	460						
80-450	70-0650	460						
80-500	70-0625	460						
R-327-2	70-0515	460						
R-512	70-0134	459						
R-513	70-0136	459						
R-513-10	70-0146	459						
R-513-13	70-0142	459						
R-513-20	70-0138	459						
R-514-6	70-0164	459						
R1185-1	70-0255	460						
R1185-2	70-0225	459						
R1185-3	70-0235	460						
R1185-4	70-0265	460						
R1185-5	70-0315	460						
R1185-6	70-0335	460						
R1185-7	70-0365	460						
R1185-8-2	70-0435	460						
R1191-10-2	70-0475	460						
R1191-3	70-0245	460						
R1191-4	70-0285	460						
R1191-5	70-0325	460						
R1191-6	70-0355	460						
R1191-7	70-0385	460						
R1191-8-2	70-0445	460						
R389-4	70-0275	460						
R389-6	70-0345	460						
R389-7-2	70-0375	460						
R482-1	70-0114	459						
R482-2	70-0116	459						
R5326-14L	70-0126	459						
R5326-14N	70-0124	459						
R5326-14S	70-0122	459						



# \*\*EASTERN MOTORCYCLE PARTS\*\*

## \*\*CROSS REFERENCE\*\*

11/5/20

OEM NUMBER	EASTERN NUMBER	PAGE NUMBER	OEM NUMBER	EASTERN NUMBER	PAGE NUMBER	OEM NUMBER	EASTERN NUMBER	PAGE NUMBER
11-30	47-0104	6, 421, 434	352-17	A-352-17	6, 123	604	A-604	74, 137
46-WRTT	A-46-WRTT	6, 126	352-15	A-352-15	6, 123	609	A-609	137, 223,225 229
AA-19	A-AA-19	6, 126	352-13	A-352-13	6, 123	612	A-612	137
116-17	E-658-N	6, 143	355-10	A-355-10	6, 121	613	A-613	137
117-23	E-659-N	6, 143	355-13	A-355-13	6, 121	614	A-614	137
119-23	A-119-23	6, 152, 154	355-15	A-355-15	6, 121	615	A-615	137, 293
119-13	A-119-13	6, 152, 154	355-28	A-355-28	7, 121	620	A-620	137, 293
119-15	A-119-15	6, 152, 154	355-29	A-355-29	7, 121	623	A-623	137, 293
119-17	A-119-17	6, 152, 154	355-30	A-355-30	7, 121	631	A-631	137
122-11	A-122-11	6, 152, <b>NEW</b>	358	A-358	72, 74, 75, 137,	634	A-634	115, 137, 229,231
123-23	A-123-23	6, 152, <b>NEW</b>	364-30	A-364-30	7, 130, 121, 123,	660-37E	A-25593-37	62, 109
125-12	A-125-12	6	365-15	A-365-15	7, 126, 130	660-37A	A-25590-37	59, 62, 109
140-17	A-140-17	6	366-36	A-366-36	7, 126, 130	660-37C	A-25586-37	59, 62, 64, 77, 78
163-30N	E-639-N	6, 143, 145	375	A-375	77, 137, 223, 225	660-37D	A-25591-37	59, 109
163-29	A-163-29	6, 17, 146	377	V-13-200	137	660-37	A-25595-37	62, 65, 109
165-30N	E-649-N	6, 143, 145	413-30	A-413-30	7, 108	660-37B	A-25588-37	59, 62, 65, 109,
165-29	A-165-29	6, 17, 146	413-36	A-413-36	7, 112	660-30	A-660-30	8, 108
166-26	A-166-26	6, 150, <b>NEW</b>	413-36B	A-413-36B	7, 112	660-29	A-660-29	8, 108
166-29A	A-166-29A	6, 150, <b>NEW</b>	413-36C	A-413-36C	7, 112	661-37A	A-25601-37A	62, 65, 109
166-32	A-166-32	6, 150, <b>NEW</b>	413-15	A-413-15	7, 108, 112	661-37	A-25599-37	59, 109
168-30B	A-18200-30	15, 152, 154	413-37A	A-413-37A	7, 112	662-34	A-662-34	8, 108
180-11	V-13-232	6, 143, <b>NEW</b>	413-37B	A-413-37B	7, 112	662-30	A-662-30	8, 108
180-15	E-655-N	6, 143	413-37C	A-413-37C	7, 112	662-29	A-662-29	8, 108
181-21	E-656-N	6, 143	413-29	A-413-29	7, 112	662-26	A-662-26	8, 108
184-25	V-13-120	6, 147	413-29B	A-413-29B	7, 112	663-26	A-663-26	8
186-10	A-186-10	6, 152, 154	416-36	A-416-36	7, 112	664-26	A-664-26	8
188-08	A-188-08	6, 152	416-36C	A-416-36C	7, 112	0135_	A-7925	8, 130
190-11	A-190-11	6	416-36B	A-416-36B	7, 112	1025-15	E-1995	115
223	A-223	137, 168	416-30D	A-416-30D	7, 112	1047	A-1047	293
238	A-238	137	416-30	A-416-30	7, 112	1210	K-2-759A	378, 382
239	A-239	137, 171	416-30B	A-416-30B	7, 112	1397	A-1397	167
240	A-240	137, 175	416-30C	A-416-30C	7, 112	1430	A-1430	44
256	V-13-212	137	416-36D	A-416-36D	7, 112	1767-W	A-1767W	269
271	A-271	55, 62, 64, 137,	416-37	A-416-37	7, 112	1864-B	A-1864B	208
275	A-275	44, 46, 77, 137,	416-37B	A-416-37B	7, 112	1115-29	A-1115-29	8, <b>NEW</b>
293-13	A-293-13	6, 108	416-37C	A-416-37C	7, 112	1118-29	A-1118-29	8, <b>NEW</b>
293-13B	A-293-13B	6, 108	416-37D	A-416-37D	7, 112	2035-15	A-2035-15	8, 277
293-13C	A-293-13C	6, 108	416-25	A-416-25	7, 112	2132-16	47-0400	8, 421
293-24	A-293-24	6, 108	416-25B	A-416-25B	7, 112	2132-26	47-0410	8, 421
293-24B	A-293-24B	6, 108	416-25C	A-416-25C	7, 112	2163-15	A-2163-15	8
293-24C	A-293-24C	6, 108	416-17	A-416-17	7, 112	2166-26	A-33390-26	156, 237,267,269
293-31	A-293-31	6, 108	416-17B	A-416-17B	7, 112	2168-26	A-33455-26	156, 237
293-31B	A-293-31B	6, 108	416-17C	A-416-17C	7, 112	2242-38C	A-34432-38	110, 237
293-31C	A-293-31C	6, 108	416-29	A-416-29	7, 112	2242-38B	A-34427-38	110, 237
294-36C	A-294-36C	6, 108	416-29	A-416-29B	7, 112	2244-38	44-0511	237, 266, <b>NEW</b>
294-36B	A-294-36B	6, 108	416-29	A-416-29A	7, 112	2245-38	44-0513	237, 266, <b>NEW</b>
294-36A	A-294-36A	6, 108	510	35-0103	350, 449	2261-15	47-0415	8, 421
327-A	A-327A	62, 137, 299	511	35-0105	449	2265	K-2-759	378, 382
327	A-327	62, 137, 299	512	35-0107	449	2272-19	A-2272-19	8, 201
333	A-333	58, 62, 64, 67, 137	513	35-0109	449	2272-25	A-2272-25	8, 201
334-A	A-334A	96, 98, 137	515	35-0113	267, 353, 354 355	2272-31	A-2272-31	8, 201
335	A-335	225	528	35-0127	350, 449	2272-15	A-2272-15	8, 201
336	A-336	225	531	35-0131	449	2272-33	A-2272-33	8, 201
337	A-337	137, 229	534	35-0135	21, 24, 240, 267	2274-15	A-2274-15	8, 131
348-36	A-348-36C	6, 126	550	35-0147	449	2275-19	A-2275-19	8, 131
348-36	A-348-36B	6, 126	551	35-0149	449	2275-30	A-2275-30	8, 131
348-36	A-348-36	6, 126	559	35-0153	449	2275-15	A-2275-15	8, 131
348-30	A-348-30C	6, 126	566	35-0159	449	2284-25	A-2284-25	8
348-30	A-348-30B	6, 126	600	A-600	74, 137	2284-17	A-2284-17	8, <b>NEW</b>
348-30	A-348-30	6, 126	601	A-601	50, 137, 227, 233,	2285-25	A-2285-25	8
348-13	A-348-13	6, 126	274			2285-17	A-2285-17	8, <b>NEW</b>
348-13T	A-348-13T	6, 126				2287-17	A-2287-17	8
348-13T	A-348-00T	6, 126						
348-15	A-348-15	6, 126						
352-25	A-352-25	6, 123						



# \*\*EASTERN MOTORCYCLE PARTS\*\*

## \*\*CROSS REFERENCE\*\*

OEM NUMBER	EASTERN NUMBER	PAGE NUMBER	OEM NUMBER	EASTERN NUMBER	PAGE NUMBER	OEM NUMBER	EASTERN NUMBER	PAGE NUMBER
2288-17	A-2288-17	8	3680	A-3680	339	6127	A-6127	453
2291-33	A-35110-33	237	4114-41	A-41849-41	344	6139	A-6139	453
2292-33	A-35340-33	238	4114-35	A-44427-35	344, 354	6147	A-6147	453
2294-41A	A-35344-SET	238	4116-36	A-44180-36	110, 355	6150-W	A-6150W	21, 62, 82, 453
2294-41B	A-35341-41	238	4116-30	A-44180-30	110, 354	6156	A-6156	167, 168
2294-15	A-2294-15	9	4735-30	Y-21-110	9, 311	6157	A-6157	177
2296-33A	A-35332-33	238	4735-36	Y-21-112	311	6161	A-6161	453
2298-15	A-2298-15	9	4735-38A	Y-21-115	311	6165-W	A-6165W	301, 453
2300-16	A-2300-16	9, 201	4735-47	Y-21-117	311	6179	A-6179	453
2300-32	A-2300-32	9, 201	4735-16	Y-21-102	311	6182	A-6182W	62, 453
2300-41	A-35613-41C	201, 238	4735-29	Y-21-104	311	6186	L-3-816	296, 298, 301
2300-33	A-35613-33	9, 201, 238, <b>NEW</b>	4735-48	Y-21-118	311	6186	41-0112	453
2303-32	A-2303-32	9	4736-42M	Y-21-106	311	6187	A-6187	453
2305-33	A-35911-33	238	5051-39	Y-21-604	318	6189-W	A-6189W	293
2305-39	A-35913-39	238	5059-39	Y-21-617	318	6192	A-6192	46, 453
2308-33	A-35910-33	238	5063-39	Y-21-618	318	6193	A-6193	301, 453
2308-32	A-2308-32	9	5707	A-5707	251	6194	A-6194	46, 453
2308-16	A-2308-16	9	5710	A-5710	452	6196	A-6196	453
2308-16A	A-2308-16A	9	5756	A-5756	322	6197	A-6197	453
2308-16B	A-2308-16B	9	5960-W	V-13-218	336, <b>NEW</b>	6218-W	A-6218W	67, 453
2308-16C	A-2308-16C	9	5995	A-5995	249, 256	6220-W	A-6220W	67, 353, 354, 355
2308-16D	A-2308-16D	9	5996	A-5996	249, 256	6228-W	A-6228W	453
2308-16E	A-2308-16E	9	5997	A-5997	249, 256	6229	A-6229W	453
2308-16F	A-2308-16F	9	5837	44-0505	213, <b>NEW</b>	6230	A-6230	453
2309-32	A-2309-32	9	6001	A-6001	83, 452	6235	A-6235	435
2309-16	A-2309-16	9	6002	A-6002	84, 89, 452	6237	A-6237	453
2312-16	A-2312-16	9	6003	A-6003	211, 213, 221	6238	A-6238	453
2312-16B	A-2312-16B	9	6005	A-6005	102, 103, 295	6239	A-6239	103, 171, 453
2312-16C	A-2312-16C	9	6006	A-6006	452	6240	A-6240	453
2314-41	A-36042-41	110, 238	6007	A-6007	223, 225, 452	6242-W	A-6242W	176, 177, 453
2314-16	A-2314-16	9	6010	A-6010	452	6248	A-6248	453
2314-16B	A-2314-16B	9	6011	A-6011	452	6253-W	A-6253W	453
2314-16C	A-2314-16C	9	6012	A-6012	452	6257-W	A-6257W	453
2339-17	A-2339-17	9, 114, <b>NEW</b>	6016	A-6016	70, 72, 84, 85, 88	6261	A-6261	453
2339-25	A-2339-25	9, 114, <b>NEW</b>	6019	A-6019	72, 74, 452	6278	A-6278	453
2410-36A	A-36857-36	110	6026	A-6026	70, 74, 452	6280	A-6280	453
2446-33	A-2446-33	9	6027-W	35-0201	450	6288	A-6288	453
2459-42	A-37347-42	157	6029	A-6029	452	6302	A-6302	453
2500-19	A-2500-19	9	6030	A-6030	452	6314-W	A-6314W	74, 454
2500-19A	A-2500-19A	9	6033	A-6033	72, 329, 452	6316-HW	A-6316HW	67, 84, 89, 98, 454
2500-19B	A-2500-19B	9	6036	A-6036	452	6317	A-6317	454
2500-19C	A-2500-19C	9	6042	A-6042	452	6320	A-6320	454
2500-19D	A-2500-19D	9	6047	A-6047	452	6324-W	A-6324W	89, 301, 454
2500-19E	A-2500-19E	9	6048-W	A-6048W	452	6327-B	A-6327B	301, 302, 454
2500-19F	A-2500-19F	9	6052	A-6052	452	6327	A-6327	454
2511-12	A-2511-12	9, 154	6053	A-6053	452	6329	A-6333	89, 454
2511-15	A-2511-15	9, 154	6054	A-6054	453	6329	A-6329	454
2514-41	A-37458-41	110, 238, 239	6055	A-6055	453	6330	A-6330	454
2516-41A	A-35380-SET	238	6057	A-6057	453	6332-B	A-6332B	454
2520-41	A-37480-41	238, 239, 257	6072	A-6072	453	6334	A-6334	454
2531-33	A-37647-33	9, 237, <b>NEW</b>	6075	A-6075	453	6334-A	A-6334A	454
2569-15	A-2569-15	9	6083	A-6083	453	6335	A-6335	454
2660	A-2660	121, 123, 126	6092	A-6092	265, 453	6336-B	A-6336B	454
2690-W	L-3-815	296, 298	6099	A-6099	41, 46, 70, 72, 74	6338	A-6338	454
2695-W	Y-21-310	362	6101	A-6101	453	6340	A-6340	454
2765	K-2-761	<b>NEW</b>	6106	A-6106	453	6341-B	A-6341B	454
2964-23	A-2964-23	9, 154	6109	A-6109	74, 453	6343	A-6343	454, <b>NEW</b>
3113-29	A-3113-29	9, 108, 110	6113	A-6113	453	6365	A-6365	454
3250	A-3250	329	6114	A-63858-49	68, 70, 72, 86, 92	6366	A-6366	454
3452-35	Y-21-908	393	6115	A-6115	453	6370	A-6370	454
			6116	A-6116	453			
			6119	A-6119	453			

# \*\*EASTERN MOTORCYCLE PARTS\*\*

## \*\*CROSS REFERENCE\*\*

OEM NUMBER	EASTERN NUMBER	PAGE NUMBER	OEM NUMBER	EASTERN NUMBER	PAGE NUMBER	OEM NUMBER	EASTERN NUMBER	PAGE NUMBER
6371	A-6371	455	6663-HB	A-6663HB	353, 456	7019	A-7019	274, 275, 456
6375-B	A-6375B	356, 455	6663-B	A-6663B	456	7021	36-0262	46, 67, 167, 168
6377	A-6377	167, 168, 171	6677-HB	A-6677HB	456	7022	36-0186	352, 353, 451
6379-W	A-6379W	329, 455	6700-B	A-6700B	456	7030-W	36-0194	451
6388	A-6388HB	67, 70, 455	6701	A-6701	70, 74, 271, 456,	7036	36-0198	67, 70, 96, 99, 100
6395	A-6395	455	6702	A-6702	70, 84, 90, 240,285	7039	36-0210	14, 19, 22, 24, 240
6397-B	A-6397B	70, 455	6703	A-6703	46, 70, 96, 99, 100	7041	36-0214	70, 72, 90, 98, 102
6398	A-6398	455	6712	A-6712B	456	7042	36-0218	451
6400-HB	A-6400HB	206, 455	6716	A-6716	100, 302,352, 456	7043	36-0226	451
6405-W	A-6405	455	6717	A-6717	456	7044-A	A-7044	77, 160
6408-HB	A-6408HB	455	6718	A-6718	456	7045	36-0234	19, 102, 206, 298
6409	A-6409	455	6722-B	A-6722B	456	7060	36-0258	70, 350, 451
6410	A-6410	455	6723	A-6723	456	7065	36-0252	451
6411	A-6411	455	6724	A-6724	456	7100	35-0316	450
6415-B	A-6415B	455	6734	A-6734	456	7101	35-0318	450
6416	A-6416	24, 455	6736	A-6736	70, 85, 92, 94, 168	7102	35-0314	450
6417-W	A-6417W	89, 455	6737	A-6737	85, 92, 456	7112	35-0204	450
6418-B	A-6418B	455	6738	A-6738	171, 456	7115	35-0208	450
6440	A-6440	455	6743	A-6743	295	7118	35-0212	450
6440-B	A-6440B	455	6743-A	A-6743A	295	7121	35-0218	450
6443-HW	A-6443HW	70, 103, 104, 240	6750	A-6750	267, 269, 271	7124	35-0222	301, 450
6445	A-6445	329	6752	A-6752	267, 269, 271	7127	35-0228	98, 99, 450
6448-HW	A-6448HB	455	6754	A-6754	267, 269	7128	35-0230	450
6460	A-6460	455	6758	A-6758	456	7129	35-0232	450
6466-W	A-6466W	83, 89, 455	6759	A-6759	456	7130-W	35-0236	249, 450
6469-HW	A-6469HW	21, 24, 89, 265,455	6762-B	A-6762B	19, 22, 32, 82, 84	7130-W	36-0284	67, 70, 74,265, 352
6473	A-6473	19, 455	6768	A-6768	456	7136	35-0242	451
6473-HB	A-6473HB	455	6769	A-6769	58, 62, 64, 77	7142	35-0246	451
6474	A-6474	455	6770	A-6770	58, 62, 64, 77	7143	35-0248	451
6475	A-6475	19, 455	6771-A	A-6771A	456	7144	35-0250	451
6481	A-6481	455	6774	A-6774	456	7145-W	35-0266	451
6486	A-6486	14, 455	6780	A-6780	456	7149	35-0268	451
6486-HW	A-6486HW	455	6781	A-6781	456	7206-W	35-0272	451
6490	A-6490	455	6787	A-6787	456	7220	35-0276	99, 100, 263, 301,
6495-HW	A-6495HW	21, 24, 89, 455,	6788	A-6788	456	7229-W	35-0280	451
6497-HW	A-6497HW	24, 227, 233, 235	6798	A-6798	456	7230	35-0284	99, 451
6498	A-6498	455	6802	A-6802	265	7231	35-0286	451
6503	A-6503	455	6804	A-6804	456	7232	35-0288	451
6506	A-6506	127	6807-W	A-6807W	273, 456	7233	35-0290	451
6508	A-6508	127	6811-W	A-6811W	362	7238	35-0294	451
6516-HW	A-6516HW	22, 24, 455	6812	A-6812	72, 456	7242	35-0298	352, 451
6519	A-6519	455	6816	A-6816	456	7315	35-0312	451
6520	A-6520	19, 350, 455	6817	A-6817	456	7400-HB	A-7400HB	456
6521-W	A-6521W	22, 24, 89, 455	6846	A-6846	235, 456	7402	A-7402	160
6522-HB	A-6522HB	22, 24, 89, 455	6852	A-6852	43, 456	7421	35-0324	451
6524	A-6524	455	6860	A-6860	249	7515	35-0580	130
6524-W	A-6524W	22, 24, 90, 455	6921-B	A-6921B	456	7634	L-3-817	47, 175, 297, 298
6527	A-6527	455	6969	36-0118	451	7652	A-7652	329
6530	A-6530	455	6970	A-6970	456	7680-W	35-0432	130
6543	A-6543	455	6994	36-0136	451	7727	A-7727	22, 82
6560	36-0114	451	6995	36-0142	451	7734-W	A-7734W	130, 322
6565-W	A-6565W	455	6996	36-0146	451	7775	35-0532	67, 70, 74, 77, 130
6579-B	A-6579B	456	6997	36-0148	451	7803	A-7803	130, 249
6581	A-6581	167, 168	6998	36-0152	451	7825	35-0546	19, 22, 130
6590-HW	A-6590HW	456	6999	36-0156	451	7848-W	A-7848W	130, 242, 244
6645	A-6645	456	7004	36-0164	451	7855-W	A-7855W	130, 214
6649	A-6649	456	7010	36-0174	451	7872	44-0312	84, 130
6653-A	A-6653A	456	7015	36-0178	451	7872-B	44-0315	84, 130
6655	A-6655	456	7017	A-7017	456	7911	A-7911	130, 203, 263
6662	A-6662	456	7018	A-7018	456	7913	A-7913	77, 121, 130

# \*\*EASTERN MOTORCYCLE PARTS\*\*

## \*\*CROSS REFERENCE\*\*

OEM NUMBER	EASTERN NUMBER	PAGE NUMBER	OEM NUMBER	EASTERN NUMBER	PAGE NUMBER	OEM NUMBER	EASTERN NUMBER	PAGE NUMBER
7916-A	A-7916A	47, 78, 130, 121	8980	A-8980	105	9105-A	B-EV-15	117
7926	A-7926	130, 265	8983	A-8983	50, 106	9106-A	B-74-6-RS	116
7974	A-7974	43, 121, 123, 130	8989	A-8989	43, 106	9106-A	B-EV-6	117
7977	A-7977	130, 263	8990	A-8990	50, 106	9106-A	B-EV-16	117
7991	A-7991	130, 123	8991	A-8991	43, 106	9110	A-9110	37, 41, 128
7993	35-0558	130, 336, 352	8992-A	A-8992A	106, 231	9114	A-9114	106, 227, 233
8010	A-8010	126, 131	8996	A-8996	74, 106, 221, 225	9115	A-9115	106, 227, 233
8011	A-8011	121, 131	8998	A-8998	74, 106, 223, 225	9118	A-9118	106, 214
8025	A-8025	131, 123	9004	A-9004	106, 297	9119-A	A-9119A	72, 74, 129, 162
8026-K	40-0315	105	9005	A-9005	106, 297, 298	9120	A-9120	37, 41, 128
8042	40-0310	105	9007	A-9007	106, 297, 98, 301	9121	A-9121	37, 41, 128
8056	A-8056	131	9008	A-9008	106	9122	A-9122	37, 41, 128
8095	A-8095	131, 322, 350,352	9009	A-9009	106	9123	A-9123	37, 41, 128
8215	A-8215	247, 265	9010	A-9010	106	9124	A-9124	37, 41, 128
8215	A-8215-100	247, 265	9020	A-9020	106, 208	9125	A-9125	37, 41, 128
8216	A-8216	249, 265	9025-A	A-9025	106, 214	9126	A-9126	37, 41, 128
8216	A-8216-100	249, 265	9028	A-9028	37, 41, 106	9127	A-9127	37, 41, 128
8226	A-8226	241	9029	A-9029	37, 53, 106	9128	A-9128	37, 41, 128
8424	J-1-122	327, 352	9033	A-9033	106, 326	9129	A-9129	37, 41, 128
8485	J-1-120	327, 350	9037	A-9037	106	9130	A-9130	37, 41, 128
8485	A-8485	327	9040	A-9040	106	9131	A-9131	37, 41, 128
8486	A-8486	327	9045	A-9045	37, 41, 53, 106	9132	A-9132	37, 41, 128
8486	J-1-121	327	9052	A-9052	106, 326	9133	A-9133	37, 41, 128
8496	A-8496	327	9057	A-9057	77, 106	9134	A-9134	37, 41, 128
8496	J-1-119	327	9057	40-0300	77	9135	A-9135	106, 245, 380
8524	A-8524	327, 352	9058	A-9058	44, 47, 106	9142	A-9142	72, 74, 129
8532	J-1-124	327, 352	9058	40-0305	44, 77, 106	9143	A-9143	72, 74, 129
8532	A-8532	327, 352	9061	A-9061	106	9144	A-9144	72, 74, 129
8852	A-8852	165	9062	A-9062	96, 98, 106	9145	A-9145	72, 74, 129
8854	A-8854	165	9063	A-9063	67, 70, 96, 98,106	9146	A-9146	72, 74, 129
8856-A	A-8856A	55, 165, 238	9064	A-9064	106, 297, 301	9147	A-9147	72, 74, 129
8858	A-8858	165	9073	A-9073	99, 106, 249	9148	A-9148	72, 74, 129
8860	A-8860	165, 249, 265	9075	A-9075-24	118, 237	9149	A-9149	72, 74, 129
8866	A-8866	165, 167, 168,172	9076	A-9076-24	118, 237	9151	A-9151	74, 106, 174
8871	A-8871	102, 104, 105	9076	A-9076	106	9155	A-9155	72, 74, 129
8872	A-8872	165, 237, 267	9077	A-9077-24	102, 103,104, 118	9198	A-9198	41, 42, 106
8873	A-8873	165, 171, 175,225,	9084	A-9084-88	118, 203, 206	9208	42-0112	106, 326
8876-A	A-8876A	105, 211, 213,221,	9085	A-9085-88	118, 203, 206	9209	42-0114	106, 326
8877	A-8877	102, 103, 105	9086	A-9086-88	118, 203, 206	9214	42-0150	106, 251, 253
8878	A-8878	103, 105	9088	A-9088	106, 297, 301	9215	40-0350	106
8879	A-8879	102, 103, 104,165	9090	A-9090-40	118, 237	9215	42-0109	106
8880	A-8880	103, 105	9091	A-9091-40	118, 237	9220	A-9220-28	118
8881	A-8881	70, 72, 74, 75	9092	A-9092-40	118, 237	9221	A-9221-28	119
8882	A-8882	105	9095	A-9095-23	118, 214	9222	A-9222-28	119
8883	A-8883	102, 104, 105	9096	A-9096-23	118, 214	9223	A-9223-28	119
8884	40-0345	105	9097	A-9097-23	118, 214	9224	A-9224-28	119
8885	A-8885	105, 251, 253	9101-A	B-74-1-RS	116	9225	A-9225-28	119
8888	A-8888	105, 218	9101-A	B-EV-1	117	9226	A-9226-28	119
8904	A-8904	105, 211	9101-A	B-EV-11	117	9231	41-0111	106
8905	A-8905	105, 206	9102-A	B-74-2-RS	116	9241	A-9241-12	60, 119
8906	A-8906	105, 206	9102-A	B-EV-2	117	9242	A-9242-12	60, 119
8956	44-0516	105, <b>NEW</b>	9102-A	B-EV-12	117	9243	A-9243-12	60, 119
8959	40-0320	105	9103-A	B-74-3-RS	116	9244	A-9244-12	60, 119
8963	40-0325	105, 231	9103-A	B-EV-3	117	9245	A-9245-12	60, 119
8965	40-0330	105, 106	9103-A	B-EV-13	117	9246	A-9246-12	60, 119
8967	44-0520	105, 231, <b>NEW</b>	9104-A	B-74-4-RS	116	9247	A-9247	107, 326, 330
8968	40-0340	105	9104-A	B-EV-4	117	9252	42-0152	107, 339, <b>NEW</b>
8970	A-8970	105, 231	9104-A	B-EV-14	117	9252	42-0138	107, 339, <b>NEW</b>
8972	A-8972	41, 42	9105-A	B-74-5-RS	116	9261	A-9261-12	53, 58, 119
8975	A-8975	105	9105-A	B-EV-5	117	9262	A-9262-12	53, 58, 119
8977	A-8977	74, 105, 221, 223,						
8978	A-8978	105, 223						

# \*\*EASTERN MOTORCYCLE PARTS\*\*

## \*\*CROSS REFERENCE\*\*

OEM NUMBER	EASTERN NUMBER	PAGE NUMBER	OEM NUMBER	EASTERN NUMBER	PAGE NUMBER	OEM NUMBER	EASTERN NUMBER	PAGE NUMBER
9263	A-9263-12	53, 58, 119	9907	37-0355	314	11107	A-11107	10, 134
9264	A-9264-12	53, 58, 119	9992	A-9992	394, 464	11110	A-11110	10, 92, 134
9265	A-9265-12	53, 58, 119	9996	A-9996	394, 464	11113	A-11113	134
9266	A-9266-12	53, 58, 119	10001	A-10001	308, 362	11115	A-11115	10, 134, 203
9267-A	A-9267A	106, 326, 330	10014	A-10014	24, 77, 78, 84, 291	11116	A-11116	102, 103, 104, 134
9270	A-9270	107, 326, 330	10020-A	A-10020A	394, 464	11117	A-11117	134
9276	A-9276	107, 326, 330	10038	A-10049	394, 464	11118	A-11118	84, 132
9281	A-9281-12	119	10067	A-10067	394, 464	11119	A-11119	134, 214
9284	A-9284-12	119	10080	A-10080	70, 74, 75, 77, 394	11120	A-11120	134
9286	A-9286-12	119	10086	A-10086	394, 464	11121	A-11121	163
9287	A-9287-12	119	10117	A-10117	78, 394, 464	11123	A-11123	134
9301	B-45-1-RS	117	10157	A-10157	394, 464	11124	A-11124	77, 78, 132
9302	B-45-2-RS	117	10198	A-10198A	394, 464	11125	A-11125	134
9303	B-45-3-RS	117	10198	A-10198	394, 464	11132	A-11132	32, 84, 85, 88, 134
9304	B-45-4-RS	117	10957	44-0305	102, 134	11133-A	A-11133A	84, 132
9305	B-45-5-RS	117	10969	44-0135	134	11133	A-11133	134
9306	B-45-6-RS	117	10984	42-0102	162	11139	A-11139	70, 72, 135
9321	A-9321-24	60, 119	10991	A-10991	162, 213	11140	A-11140	41, 42, 135, 229
9322	A-9322-24	60, 119	10996	44-0140	134	11143	A-11143	163
9323	A-9323-24	60, 119	10998	A-10998	162, 225, 229, 231,	11145	A-11145	85, 88, 92, 135
9324	A-9324-24	60, 119	11000	A-11000	162, 241	11147	A-11147	135, 245, 380
9325	A-9325-24	60, 119	11002	A-11002	47, 162, 168, 171	11148	A-11148	132
9326	A-9326-24	60, 119	11004	A-11004	162, 301	11150	A-11150	163, 227, 233, 235
9415	B-SP-9-RS	117	11005	A-11005	162, 249	11155	A-11155	163
9417	B-SP-7-RS	117	11006	A-11006	162, 214	11156	A-11156	135
9421	A-9421-13	53, 67, 119	11007	A-11007	37, 162	11157	A-11157	32, 50, 85, 92, 135
9422	A-9422-13	53, 67, 119	11012	A-11012	162	11158	A-11158	163
9423	A-9423-13	53, 67, 119	11013	A-11013	162	11159	A-11159	10, 135
9424	A-9424-13	53, 67, 119	11015	A-11015	162	11160-A	A-11160A	37, 41, 128, 163,
9425	A-9425-13	53, 67, 119	11016	A-11016	162, 227, 233, 235	11161	A-11161	74, 163, 221, 225
9426	A-9426-13	53, 67, 119	11019	A-11019	162, 223, 225, 274	11162	A-11162	135
9441-A	B-LATE-1-RS	116	11020	A-11020	162, 223, 225, 229	11164	A-11164	163, 251
9441-A	B-SP-1-RS	117	11027	A-11027	162	11165	A-11165	132, 211, 221, 225
9442-A	B-LATE-2-RS	116	11031	A-11031	50, 162, 265, 274	11166	A-11166	135
9442-A	B-SP-2-RS	117	11035	A-11035	162	11167	A-11167	92, 135
9443-A	B-LATE-3-RS	116	11036	A-11036	162, 267, 271, 273	11168	A-11168	92, 135
9443-A	B-SP-3-RS	117	11037	A-11037	162	11170	A-11170	135
9444-A	B-LATE-4-RS	116	11039	A-11039	96, 98, 162, 269	11171	A-11171	74, 102, 103, 135
9444-A	B-SP-4-RS	117	11041	A-11041	96, 98	11172	A-11172	77, 135
9445-A	B-SP-5-RS	117	11045	A-11045	162, 251	11173	A-11173	135
9445-A	B-LATE-5-RS	116	11046	A-11046	162, 251, 253	11174	A-11174	135
9446-A	B-LATE-6-RS	116	11048	A-11048	162	11175	A-11175	163
9446-A	B-SP-6-RS	117	11052	A-11052	162, 249	11176	A-11176	94, 135
9450-A	B-LATE-7-RS	116	11053	A-11053	162, 249	11177	A-11177	74, 163
9540-A	A-9540A	119, 241	11057	A-11057	163, 223	11177-A	A-11177A	74, 75, 163
9541-A	A-9541A	119, 241	11061-A	42-0100	163	11178	A-11178	135, 223, 225, 228
9542-A	A-9542A	111, 241	11063	A-11063	163, 346	11179	A-11179	135, 225, 229, 231
9701	V-13-244	231, <b>NEW</b>	11067	A-11067	163, 211, 213, 221	11180	A-11180	163, 214
9837	A-9837	235	11081	V-13-222	213, <b>NEW</b>	11182	A-11182	102, 163
9856	37-0111	313	11082	A-11082	212, <b>NEW</b>	11183	A-11183	102, 163
9857	37-0115	313	11083	A-11083	163, 227, 233	11185	A-11185	163, 274
9858	37-0117	313	11085	A-11085	163	11187	A-11187	74, 135
9859	37-0119	313	11093	A-11093	163	11188	A-11188	74, 135
9862	37-0133	313	11096	A-11096	163, 211, 213, 241	11190	A-11190	94, 135
9863	37-0135	314	11096	A-11096A	163, 211, 213, 241	11191	A-11191	135
9864	37-0137	314	11100	A-11100	10, 32, 134	11201	A-11201	135
9865	37-0139	314	11101	A-11101	24, 32, 84, 90, 134	11204	A-11204	159
9866	37-0153	314	11101	A-11101-X	24, 32, 84, 90, 134	11207	V-13-224	213, <b>NEW</b>
9868	37-0157	314	11102	A-11102	134	11218	A-11218	159
9869	37-0159	314	11103	A-11103	134, 214	11219	A-11219	47, 77, 78, 159
9897	37-0353	314	11105	A-11105	10, 47, 70, 72, 134	11220	A-11220	102, 159
			11106	A-11106	67, 70, 134			

# \*\*EASTERN MOTORCYCLE PARTS\*\*

## \*\*CROSS REFERENCE\*\*

OEM NUMBER	EASTERN NUMBER	PAGE NUMBER	OEM NUMBER	EASTERN NUMBER	PAGE NUMBER	OEM NUMBER	EASTERN NUMBER	PAGE NUMBER
11241	A-11241	135, 171	12026	A-12026	37, 132	16573-83	A-16573-83	27, 35, 74, 185
11248	A-11248	102, 163	12026-B	A-12026B	37, 132	16574-99	A-16574-99	41, 42
11250	A-11250	163, 253	12030	A-12030	132, 219	16583-00A	V-13-205	43, 137
11256	A-11256	29, 135	12035	A-12035	132, 211, 213	16589-99A	V-13-210	41, 42, 137
11270	A-11270	88, 135	12036	A-12036	132, 176	16595-99A	A-16595-99A	29, 41, 42
11271	A-11271	163	12036-A	A-12036A	132, 176	16664-86	L-3-651	35, 421, 434
11272	A-11272	163	12043	A-12043	10, 132, 223	16664-86T	L-3-649	35, 421, 434
11273	A-11273	29, 41, 42, 135	12044	A-12044	132, 223	16665-86	L-3-653	35, 421, 434
11282	A-11282	163	12045	A-12045	132, 227, 233, 235	16665-86T	L-3-654	35, 421, 434
11286	A-11286	50, 135	12047	A-12047	132	16681-39	M-4-4700	184
11288	A-11288	135	12049	A-12049	132, 215	16699-06	42-0300	29, 35, 163
11289-A	A-11289	75, 135	12050	A-12050	132, 221, 225, 229	16768-39C	L-3-848	16, 421, 434
11290	A-11290	135, 229, 231	12051	A-12051	132, 225, 380	16769-57T	L-3-842	32, 421, 434
11291	A-11291	132, 135	12052-A	A-12052	132, 245, 380	16769-57A	L-3-843	32, 421, 434
11292	A-11292	135	12053-A	A-12053A	133, 380	16769-72A	L-3-844	32, 421, 434
11293	A-11293	41, 42, 50, 88, 135	12066	A-12066	133, 245, 380	16769-73C	L-3-845	32, 421, 434
11298	A-11298	50, 135	12067-A	A-12067A	133, 229, 231	16769-36T	L-3-849	14, 421, 434
11301	A-11301	50, 135	12068	A-12068	41, 42, 75, 133	16769-73T	L-3-846	32, 421, 434
11302	A-11302	163	12071-K	A-12071K	133	16769-82C	L-3-845A	32, 421, 434
11304	A-11304	163	12072-01K	A-12072K	133	16769-72A	L-3-673	32, 421, 434
11312-K	A-11312K	135	12074	43-0200	132	16769-36C	L-3-850	14, 421, 434
11314-K	A-11314K	135	12077	43-0205	133	16769-72T	L-3-844A	32, 421, 434
11317	41-0147	78, 159	14780-00	40-0100	43	16769-57C	L-3-843C	32, 421, 434
11319-A	A-11319A	163, 235	14781-00	40-0105	43	16770-48T	L-3-840	22, 421, 435
11324	44-0130	135	14782-00	40-0110	43	16770-66T	L-3-841	24, 421, 435
11326	A-11326	135	14783-00	40-0115	43	16770-36T	L-3-851	19, 421, 434
11331-K	A-11331K	135	14784-00	40-0120	43	16770-84T	L-3-854	27, 35, 421, 435,
11335-K	A-11335K	163	14785-00	40-0125	43	16770-48C	L-3-840A	22, 421, 435
11342	A-11342	163, 235	14786-00	40-0130	43	16770-84D	L-3-657	27, 35, 421, 435
11345	44-0110	135, 392	14787-00	40-0135	43	16770-48	L-3-677	22, 421, 435
11355-K	A-11355K	163	14788-00	40-0140	43	16770-66B	L-3-679	24, 421, 435
11360	42-0104	163, 275	16140-87	M-4-4601	182	16770-36	L-3-675	19, 421, 434
11361	A-11361	135	16203-67	A-16203-67	67, 70	16770-36C	L-3-852	19, 421, 434
11363-K	A-11363K	163	16207-79B	A-16207-79B	37	16770-66B	L-3-841A	24, 421, 435
11377	A-11377	135	16210-77	K-2-860	67, 70, 386, 428	16770-66C	L-3-841C	24, 421, 435
11379	A-11379	163	16236-89T	K-2-858	70, 386	16770-48C	L-3-840B	22, 421, 435
11389	42-0105	163	16248-89R	42-0120	10, 127	16773-85	L-3-659	27, 35, 421, 435
11390	A-11390	163	16250-57	V-13-115	386	16774-72	L-3-957	32, 422
11461	A-11461	163	16250-57	V-13-110	386	16774-86A	L-3-958	27, 35, 422
11494	A-11494	50, 163	16250-57	K-2-869	90, 386, 387	16774-57	L-3-956	32, 422
11573	A-11573	135	16250-57	K-2-864	90, 386	16774-21	L-3-963	14, 19, 422
11575	42-0115	163	16446-86A	M-4-4630	35, 185	16774-72R	L-3-964	10, 422
11599	40-0160	213	16447-88	M-4-4640	35, 185	16775-99T	47-0137	30, 422, 435
11621	44-0100	135	16464-73B	M-4-4553	32, 184	16775-29	L-3-962	16, 422
11625	44-0120	135	16464-57	M-4-4558	32, 184	16775-52	L-3-962B	12, 422
11631	44-0125	135	16465-73B	M-4-4554	32, 184	16775-99	47-0135	30, 422, 435
11730-A	A-11730A	131, 251, 253, 256	16465-57	M-4-4559	32, 184	16776-48	L-3-952	22, 422
11735-B	A-11735B	251, 253, 256	16482-85	A-16482-85	27, 35	16776-63	L-3-954	22, 24, 422
11752	A-11752	253, 256	16482-83	A-16482-83	27	16777-48	L-3-953	22, 422
11765-Y	A-11765Y	253	16483-48	M-4-4540	183	16777-63	L-3-955	22, 24, 422, 427
11887	40-0149	123	16483-41	M-4-4567	19, 184	16777-83A	L-3-959	422
12002	A-12002	132	16483-36	M-4-4596	19, 184	16778-84	L-3-515	86, 92, 94, 422
12010	A-12010	132, 271	16485-66B	M-4-4547	24, 183	16779-84A	L-3-517	86, 92, 94, 422
12013-A	A-12013A	132, 206, 211	16490-36	M-4-4597	19, 184	16787-99	47-0145	30, 422, 435
12013	A-12013	132, 206, 211	16492-48	M-4-4541	183	16787-99T	47-0147	30, 422, 435
12014	A-12014	132, 241	16492-66B	M-4-4548	24, 183	16822-39	40-0250	456
12018	A-12018	132	16492-41	M-4-4568	19, 184	16830-72	A-16830-72	70
12021	A-12021	132, 215	16494-78	M-4-4550	24, 183	16830-54	A-16830-54	67
12022	A-12022	132, 206	16495-78	M-4-4551	24, 183			
12023	A-12023	10, 132	16510-83A	M-4-4650	27, 185			



# \*\*EASTERN MOTORCYCLE PARTS\*\*

## \*\*CROSS REFERENCE\*\*

OEM NUMBER	EASTERN NUMBER	PAGE NUMBER	OEM NUMBER	EASTERN NUMBER	PAGE NUMBER	OEM NUMBER	EASTERN NUMBER	PAGE NUMBER
16830-29A	A-16830-29A	16, 206	17030-88F	L-3-378	424, 439	17353-86	L-3-525	92, 425
16831-30	40-0150	19, 22, 24	17030-57C	L-3-342	424, 439	17353-89	47-1015	94, 425
16836-78	A-16836-78	24	17030-73C	L-3-353	424, 439	17354-86	L-3-527	92, 425
16836-78C	A-16836-78C	24	17030-88A	54-1163	443	17354-89	47-1020	94, 425
16837-78	40-0152	24	17030-89	54-1224	445	17355-84	L-3-530	86, 425
16852-67A	V-13-108	24, 386	17030-91	54-1228	445	17355-84A	47-1025	86, 425
16853-48	V-13-111	22, 24, 386	17030-86T	54-8200	424, 440	17355-92	47-1040	86, 425
16853-38	K-2-880	19, 386	17031-40C	L-3-304	424, 439	17356-84	L-3-532	86, 425
16853-48	V-13-109	24, 386	17031-40T	L-3-302	424, 439	17356-84A	47-1030	86, 425
16864-48	A-16864-48	24	17032-79	L-3-355	424, 439	17358-84	L-3-535	86, 92, 94, 425
17026-52	L-3-210	422, 437	17032-82	L-3-360	424, 439	17358-84A	47-1035	86, 92, 94, 425
17026-79T	L-3-225	423, 437	17032-91F	L-3-380	425, 440	17360-66A	M-4-4570	84, 138
17026-73T	L-3-230	423, 437	17032-79T	L-3-356	424, 439	17360-48	M-4-4580	22, 82, 138
17026-75R	L-3-285	10, 423, 437	17032-79C	L-3-357	424, 439	17360-48	M-4-4585	22, 82, 138
17026-86A	L-3-232	423, 437	17032-82T	L-3-361	424, 439	17360-83	M-4-4574	86, 88, 92, 94, 138
17026-86	L-3-228	423, 437	17032-82C	L-3-362	424, 439	17375-66A	M-4-4572	84, 138
17026-79C	L-3-226	423, 437	17032-86B	54-8220	424, 440	17375-48	M-4-4582	22, 82, 138
17026-91	54-8000	423, 438	17033-36T	L-3-308	14, 425, 440	17375-48	M-4-4587	22, 82, 138
17026-91	54-1109	444	17033-83A	L-3-325	425, 440	17375-83	M-4-4576	86, 88, 92, 94, 138
17026-88	54-1121	444	17033-36C	L-3-309	14, 425, 440	17393-07	44-0500	94, 133, 139
17026-40	48-0300	422, 437	17033-83A	L-3-326	425, 440	17394-57A	M-4-4590	90, 138
17026-88	54-8010	423, 438	17033-83A	L-3-327	425, 440	17395-57A	M-4-4591	90, 138
17026-71A	48-0312	422, 437	17033-83A	48-0436	425, 440	17396-57A	M-4-4592	90, 138
17026-71A	48-0310	422, 437	17033-83A	48-0438	425, 440	17397-57A	M-4-4593	90, 138
17026-40	48-0305	422, 437	17034-78T	L-3-316	425, 440	17428-57	A-17428-57	84, 86, 88, 90, 139
17026-83	48-0328	423, 437	17034-38T	L-3-310	425, 440	17428-72R	A-17428-72R	10, 107, 139
17026-72C	48-0316	423, 437	17034-48T	L-3-315	425, 440	17428-57	A-17428-57A	84, 86, 88, 90, 139
17026-72T	48-0318	423, 437	17034-66F	L-3-318	425, 440	17429-91	V-13-247	86, 88, 139
17026-73T	48-0320	423, 437	17034-78F	L-3-317	425, 440	17435-57B	M-4-4534	90, 139
17026-73	48-0322	423, 437	17034-66T	L-3-319	425, 440	17435-39	A-17435-39	19, 139
17027-36T	L-3-207	422, 437	17034-38C	L-3-311	425, 440	17435-39	40-0180	19, 139
17027-36C	L-3-208	422, 437	17034-38F	L-3-312	425, 440	17435-39	40-0170	19, 139
17027-04	L-3-379	423, 439	17034-48F	L-3-314	425, 440	17438-39	A-17438-39	19, 139
17028-36T	L-3-235	423, 438	17034-48C	L-3-313	425, 440	17441-39	A-17441-39	19, 139
17028-36C	L-3-236	423, 438	17034-66C	L-3-320	425, 440	17444-39	A-17444-39	19, 139
17028-36F	L-3-234	423, 438	17034-78C	L-3-322	425, 440	17450-73	A-17450-73	84, 90, 139
17028-48T	48-0350	424, 438	17034-66	48-0428	425, 440	17451-57	A-17451-57	90, 139
17028-48C	48-0352	424, 438	17034-66	48-0430	425, 440	17452-66	A-17452-66	84, 139
17028-48F	48-0354	424, 438	17034-66	48-0432	425, 440	17475-38	A-17475-38	19, 133
17029-66A	L-3-245	424, 438	17035-83A	L-3-260	425, 438	17475-38	A-17475-38B	19, 133
17029-80F	L-3-250	424, 438	17035-83A	L-3-267	425, 438	17483-57	A-17483-57	90, 154
17029-66T	L-3-243	424, 438	17035-84	54-1010	444	17500-48A	K-2-765	22, 82, 378, 384
17029-66F	L-3-244	438	17035-83A	54-1006	444	17501-86B	M-4-4530	94, 384
17029-80T	L-3-252	424, 438	17035-89	54-1014	444	17506-66A	M-4-4538	24
17029-66C	L-3-246	424, 438	17036-91	L-3-339	94, 425	17507-48	L-3-947	22, 82, 425
17029-80C	L-3-254	424, 438	17038-90	L-3-336	86, 425	17509-54A	V-13-103	22
17029-70F	48-0370	424, 438	17038-90	54-1202	445	17510-84	M-4-4528	384
17029-70T	48-0372	424, 438	17039-90	L-3-338	92, 425	17516-77B	M-4-4535	84, 384
17029-70A	48-0374	424, 438	17040-92	48-0440	425, 440	17518-80	M-4-4536	84, 384
17030-57	L-3-340	424, 439	17040-92	48-0442	425, 440	17525-38	K-2-320	80, 384
17030-72	L-3-345	424, 439	17041-92A	48-0390	425, 438	17535-38	L-3-711	80, 425
17030-73	L-3-350	424, 439	17041-92A	48-0392	425, 438	17536-70	L-3-941	32, 90, 425
17030-86	L-3-365	424, 439, 440	17042-92	L-3-337	86, 425	17537-38	L-3-713	425
17030-86	L-3-370	424, 440	17045-99	47-2144	432	17539-38	L-3-715	80, 425
17030-88F	L-3-372	424, 439	17053-99	54-1028	444	17540-69A	L-3-940	84, 425
17030-57T	L-3-341	424, 439	17324-57B	O-6-009	90, 390	17541-48	L-3-944	22, 82, 426
17030-72T	L-3-346	424, 439	17324-58	O-6-016	90, 390	17541-48B	L-3-945	426
17030-72C	L-3-347	424, 439	17324-57B	O-6-018	90, 390	17591-99	47-0239	88, 426
17030-73T	L-3-351	424, 439				17592-99	47-0243	88, 426
17030-73C	L-3-352	424, 439				17611-66B	M-4-4533	84, 139

# \*\*EASTERN MOTORCYCLE PARTS\*\*

## \*\*CROSS REFERENCE\*\*

OEM NUMBER	EASTERN NUMBER	PAGE NUMBER	OEM NUMBER	EASTERN NUMBER	PAGE NUMBER	OEM NUMBER	EASTERN NUMBER	PAGE NUMBER
17611-83	M-4-4531	86, 88, 92, 94, 139	18104-81A	E-376	25, 148	18193-51	E-443	25, 82, 147
17647-48	A-17647-48	22, 82	18104-81A	29-0606	148	18194-51	E-444	25, 82, 147
17896-86	75-0320	92, 418	18105-79	A-18105-79	25, 163	18196-51	L-3-560	12, 25, 426
17904-66	A-17904-66	84	18106-81A	E-374	25, 148	18198-38	L-3-562	15, 17, 426
17920-53A	A-17920-53A	84, 140	18106-81A	29-0604	148	18200-32	A-18200-32	12, 152, 154
17944-89	A-17944-89	94, 136	18107-81A	E-373	25, 148	18200-79R	A-18200-79R	152, 154
17947-36	A-17947-36	19, 22, 32, 82, 84	18108-81A	E-372	25, 148	18201-57B	A-18201-57B	22, 82, 152, 154
17955-36	L-3-805	19, 22, 32, 82, 84	18108-81A	29-0602	148	18201-82	A-18205-82	25, 153, 154
17955-48	L-3-806	22, 82, 84, 426,	18109-81A	E-371	25, 148	18201-41	A-18201-41	17, 152, 154
18000-81	H-3880	24, 150	18109-81A	29-0601	148	18201-52	A-18201-52	12, 152, 154
18001-83A	H-3882	27, 30, 33, 35, 150	18110-79	E-350	148	18201-32	A-18201-32	152, 154
18023-87	E-506-N	35, 146	18112-79	E-351	148	18201-83	A-18206-83	28, 30, 35, 153, 154
18024-87	E-516-N	35, 146	18112-92	E-360	27, 30, 35, 148	18203-57A	A-18203-57A	32, 151, 155
18027-80	E-605-N	32, 146	18112-92	29-0620	27, 30, 35, 148	18203-83	A-18203-83	32, 153, 155
18028-80	E-605-C	32, 146	18114-79	E-352	148	18203-36	A-18201-36	80, 152, 155
18030-86	E-512-N	35, 146	18115-79	E-353	148	18213-86	A-18213-86	153
18031-86	E-502-N	35, 146	18116-79	E-354	148	18219-81	A-18219-81	25, 153
18033-80	E-613-N	146	18130-83C	E-361	27, 30, 35, 148	18219-83A	A-18219-83A	28, 30, 35, 153
18036-80	E-613-C	146	18131-83C	E-363	27, 30, 35, 148	18220-57	A-18220-57	33, 153
18039-93	V-13-125	35, 146, <b>NEW</b>	18132-83B	E-365	27, 30, 35, 148	18220-81	A-18220-81	33, 153
18069-65R	E-607-SS	146	18133-83A	E-362	27, 30, 35, 148	18220-83	A-18220-83	33, 153
18070-58	E-604	32, 146	18133-83A	29-0622	27, 30, 35, 148	18220-30	A-18220-30	12, 17, 153
18070-70	E-605	32, 146	18138-79C	E-320	25, 82, 147	18221-36	A-18221-36	22, 25, 80, 82, 153
18070-32	E-606	16, 146	18138-79A	E-321	25, 82, 147	18221-57B	A-18221-57B	33, 153
18070-54	E-608	12, 146	18139-79A	E-328	25, 82, 147	18221-30	A-18221-30	15, 153
18070-54	E-608-N	12, 146	18140-79A	E-326	25, 82, 147	18221-79R	V-13-127	10, 153, <b>NEW</b>
18070-59R	E-662-N	10, 146	18141-79A	E-324	25, 82, 147	18222-48	A-18222-48	22, 25, 82, 153,
18071-36	E-600	19, 144	18143-79A	E-322	25, 82, 147	18222-36	A-18222-36	80, 153
18071-48	E-602	22, 144	18165-49	E-431	25, 82, 147	18222-79	A-18222-79	25, 153
18071-36N	E-600-N	19, 145	18165-41	A-18165-41	12, 152	18222-81	A-18222-81	25, 153
18072-37	E-609-1	14, 144	18167-49	E-432	25, 82, 147	18222-83	A-18222-83	28, 30, 35, 153
18072-37	E-609-N	14, 145	18168-49	E-433	25, 82, 147	18222-30	A-18222-30	15, 153
18074-83A	E-500-N	27, 30, 145	18168-79	E-468	32, 149	18223-37	A-18223-37	15, 153
18074-83A	V-13-230	27, 30, 145, <b>NEW</b>	18170-49	E-434	25, 82, 147	18223-53	A-18223-53	12, 153
18075-80	E-603-N	24, 145	18170-57A	E-465	32, 149	18228-36	A-18228-36	22, 25, 80, 82, 153
18076-83	E-503-N	27, 145	18170-30	E-570	15, 150	18228-30	A-18228-30	12, 15, 17, 33, 153
18078-80	E-603-C	24, 145	18171-57A	E-467	32, 149	18229-83A	A-18229-83	28, 30, 35, 153,
18080-58A	E-613	146	18171-30	E-571	15, 150	18230-93R	V-13-129	10, 153, <b>NEW</b>
18080-32	E-614	17, 146	18172-57A	E-466	32, 149	18245-67R	A-18245-67R	153
18080-52	E-618	12, 146	18172-30	E-572	15, 150	18245-39	L-3-569	15, 426
18080-52	E-618-N	12, 146	18173-30	E-574	15, 150	18246-67R	A-18246-67R	153
18080-70R	E-617-SS	146	18175-30	E-576	15, 150	18247-39	A-18247-39	15, 155
18080-60R	E-616-SS	146	18176-57B	E-460	32, 149	18247-67R	A-18247-67R	153
18080-59R	E-664-N	10, 146	18176-41	E-560	12, 17, 150	18257-39	L-3-573	15, 426
18081-36	E-610	19, 144	18178-41	E-564	12, 17, 150	18258-02	A-18258-02	30, 35, 153
18081-36N	E-610-N	19, 145	18179-57B	E-461	32, 149	18258-39	41-0149	56, 62
18082-57A	E-612	22, 24, 144	18179-41	E-561	12, 17, 150	18259-52	L-3-1103	426
18082-37	E-619	15, 144	18180-57B	E-462	32, 149	18259-39	L-3-577	15, 426
18082-83	E-510-N	27, 145	18180-41	E-562	12, 17, 150	18260-29	L-3-1106	17, 426
18082-37	E-619-N	15, 145	18181-36	E-550	80, 149	18260-02	A-18260-02	30, 153
18085-99	E-524-N	30, 145	18181-48	E-440	25, 82, 147	18261-30	L-3-1110	15, 426
18086-80	E-612-N	22, 24, 145	18182-36	E-551	80, 149	18265-37	L-3-565	19, 426
18087-83	E-511-N	27, 145	18183-48	E-441	25, 82, 147	18490-29	A-18490-29	12, 15, 17, 140
18089-80	E-612-C	22, 24, 145	18184-36	E-552	80, 149	18491-36	A-18491-36	19, 140
18094-02	A-18094-02	30, 35, 152	18185-40	E-540	80, 149	18492-48	A-18492-48	140
18102-81A	E-379	25, 148	18185-48	E-430	25, 82, 147	18493-36	A-18493-36	19, 141
18102-81A	29-0610	148	18186-40	E-541	80, 149	18500-84	A-18500-84	141
18103-81A	E-378	25, 148	18187-51	E-442	25, 82, 147			
18103-81A	29-0608	148	18187-40	E-542	80, 149			
			18191-79	E-463	32, 149			



# \*\*EASTERN MOTORCYCLE PARTS\*\*

## \*\*CROSS REFERENCE\*\*

OEM NUMBER	EASTERN NUMBER	PAGE NUMBER	OEM NUMBER	EASTERN NUMBER	PAGE NUMBER	OEM NUMBER	EASTERN NUMBER	PAGE NUMBER
18507-85	A-18507-85	141	22144-74A	E-822-020	187	22251-29A	E-825-STD	17, 191
18508-52B	A-18508-52B	33, 141	22145-55C	E-817-030	187	22251-83A	E-831-STD	190
18522-53A	A-18522-53A	84, 141	22145-48	E-826-030	20, 188	22253-57A	E-815-010	33, 190
18523-86B	19-0230	86, 92, 141	22145-74A	E-822-030	187	22253-72A	E-816-010	33, 190
18526-89A	19-0240	94, 141	22146-55C	E-817-040	187	22253-52	E-827-010	12, 190
18534-29A	A-18534-29B	12, 15, 17, 19, 33	22146-48	E-826-040	20, 188	22253-29A	E-825-010	17, 191
18538-99C	19-0250	88, 94, 141	22146-74A	E-822-040	187	22253-83A	E-831-010	190
18540-83	A-18609-CHR	86	22147-55C	E-817-050	187	22253-86	E-838-010	36, 191
18545-29	A-18534-87	12, 15, 19, 33, 84	22147-48	E-826-050	20, 188	22254-57A	E-815-020	33, 190
18554-57	A-18554-57	33, 141	22147-74A	E-822-050	187	22254-72A	E-816-020	33, 190
18555-36	A-18555-36	20, 82, 141	22147-99A	E-857-020	189	22254-52	E-827-020	190
18556-40	A-18556-40	12, 15, 17, 141	22148-55C	E-817-060	187	22254-29A	E-825-020	17, 191
18556-57	A-18556-57	22, 82, 84, 141,	22148-48	E-826-060	20, 188	22254-83A	E-831-020	190
18570-38	A-18570-38	12, 20, 22, 33, 82	22148-74A	E-822-060	187	22254-86	E-838-020	36, 191
18607-57B	A-18607-57B	33, 142	22149-55C	E-817-070	187	22255-57A	E-815-030	33, 190
18607-57B	A-18607-SET	33, 142	22149-48	E-826-070	20, 188	22255-72A	E-816-030	33, 190
18630-26	L-3-1006	17, 426	22149-74A	E-822-070	187	22255-52	E-827-030	12, 190
18631-30	L-3-948	15, 17, 426	22174-99A	E-857-005	189	22255-29A	E-825-030	17, 191
18631-52	L-3-948B	12, 426	22179-99A	E-857-010	189	22255-83A	E-831-030	190
18632-36	L-3-949	20, 426	22190-81A	E-821-STD	188	22255-86	E-838-030	36, 191
18633-48B	L-3-951	22, 82, 84, 86, 426	22191-81A	E-821-010	188	22256-57A	E-815-040	33, 190
18634-48B	L-3-950	22, 82, 84, 86, 426	22191-78	E-824-STD	188	22256-73A	E-816-040	33, 190
18635-99	47-0281	88, 426	22192-78	E-824-010	188	22256-52	E-827-040	12, 190
18660-53	A-18660-53	22, 82, 84	22192-81A	E-821-020	188	22256-29A	E-825-040	17, 191
21916-99	10-0363	30, 197	22193-81A	E-821-030	188	22256-83A	E-831-040	190
21918-99	10-0400	30, 197	22194-81A	E-821-040	188	22256-86	E-838-040	36, 191
21919-99	10-0401	30, 197	22194-78	E-824-020	188	22257-57A	E-815-050	33, 190
21920-83	H-6164-STD	28, 35, 196	22196-78	E-824-030	188	22257-73A	E-816-050	33, 190
21920-83	H-6195-STD	28, 36, 196	22201-86	E-838-005	36, 191	22257-52	E-827-050	12, 190
21921-83	H-6164-005	28, 35, 196	22205-86	E-839-005	36, 191	22257-29A	E-825-050	17, 191
21921-83	H-6195-005	28, 36, 196	22205-88	E-844-005	36, 191	22257-83A	E-831-050	190
21922-83	H-6164-010	28, 35, 196	22216-37	E-834-STD	15, 189	22258-57A	E-815-060	33, 190
21922-83	H-6195-010	28, 36, 196	22216-30	E-836-STD	15, 189	22258-73A	E-816-060	33, 190
21923-83	H-6164-020	28, 35, 196	22216-86	E-839-010	36, 191	22258-52	E-827-060	12, 190
21923-83	H-6195-020	28, 36, 196	22216-88	E-844-010	36, 191	22258-29A	E-825-060	17, 191
21924-83	H-6164-030	28, 35, 196	22218-37	E-834-010	15, 189	22258-83A	E-831-060	190
21924-83	H-6195-030	28, 36, 196	22218-30	E-836-010	15, 189	22259-57A	E-815-070	33, 190
21925-83	H-6164-040	28, 35, 196	22219-37	E-834-020	15, 189	22259-73A	E-816-070	33, 190
21925-83	H-6195-040	28, 36, 196	22219-30	E-836-020	15, 189	22259-52	E-827-070	12, 190
21936-99	10-0360	30, 197	22220-37	E-834-030	15, 189	22259-29A	E-825-070	17, 191
21937-99	10-0361	30, 197	22220-30	E-836-030	15, 189	22259-83A	E-831-070	190
21938-99	10-0362	30, 197	22220-86	E-839-020	36, 191	22267-86	H-6199-STD	36, 196
21940-83	E-837-STD	28, 188	22220-88	E-844-020	36, 191	22272-86	H-6199-005	36, 196
21941-83	E-837-005	28, 188	22221-37	E-834-040	15, 189	22273-86	H-6199-010	36, 196
21942-83	E-837-010	28, 188	22221-30	E-836-040	15, 189	22275-86	H-6199-020	36, 196
21943-83	E-837-020	28, 188	22222-37	E-834-050	15, 189	22276-86	H-6199-030	36, 196
21944-83	E-837-030	28, 188	22222-30	E-836-050	15, 189	22279-86	H-6199-040	36, 196
21945-83	E-837-040	28, 188	22223-37	E-834-060	15, 189	22325-36	H-7024-STD	20, 194
21945-99	10-0402	30, 197	22223-30	E-836-060	15, 189	22325-55B	10-0300	193
21946-99	10-0403	30, 197	22224-37	E-834-070	15, 189	22325-48	H-4250-STD	194
21947-99	10-0404	30, 197	22224-30	E-836-070	15, 189	22327-55B	10-0301	193
22097-99	A-22097-99	30, 163	22225-86	E-839-030	36, 191	22327-36	H-7024-010	20, 194
22121-01K	A-22121-01K	163, <b>NEW</b>	22225-88	E-844-030	36, 191	22327-48	H-4250-010	194
22141-74A	E-822-STD	187	22229-86	E-839-040	36, 191	22328-36	H-7024-020	20, 194
22141-55C	E-817-STD	187	22242-86	E-838-STD	36, 191			
22141-48	E-826-STD	20, 188	22243-86	E-839-STD	36, 191			
22143-55C	E-817-010	187	22243-88	E-844-STD	36, 191			
22143-48	E-826-010	20, 188	22251-57A	E-815-STD	33, 190			
22143-74A	E-822-010	187	22251-72A	E-816-STD	33, 190			
22144-55C	E-817-020	187	22251-52	E-827-STD	12, 190			
22144-48	E-826-020	20, 188						

# \*\*EASTERN MOTORCYCLE PARTS\*\*

## \*\*CROSS REFERENCE\*\*

OEM NUMBER	EASTERN NUMBER	PAGE NUMBER	OEM NUMBER	EASTERN NUMBER	PAGE NUMBER	OEM NUMBER	EASTERN NUMBER	PAGE NUMBER
22328-55B	10-0302	193	22363-72A	H-7003-070	195	23971-54	A-23971-78	126
22328-48	H-4250-020	194	22363-41	H-4275-070	194	23971-54A	A-23971-78A	126
22329-36	H-7024-030	20, 194	22363-57A	10-0607	195	23971-54	A-23966-78	126
22329-55B	10-0303	193	22364-41	H-4275-080	194	23972-57	A-23972-57	127
22329-48	H-4250-030	194	22365-41	H-4275-090	194	23972-21	A-23972-21	127
22330-36	H-7024-040	20, 194	22581-32	A-22581-32	15, 17, 163	23972-72	A-23972-72	127
22330-55B	10-0304	193	22582-52	A-22582-52	12, 163	23972-72A	A-23972-72	127
22330-48	H-4250-040	194	22588-78	A-22588-78	163	23972-36	A-23972-36	127
22331-36	H-7024-050	20, 194	22589-83A	A-22589-83A	28, 36, 163	23972-57A	A-23972-57A	127
22331-55B	10-0305	193	22661-99A	E-857-STD	189	23973-41	A-23973-41	127
22331-48	H-4250-050	194	23736-69R	A-23736-69R	10, 123	23973-87R	A-23973-87R	126
22332-36	H-7024-060	20, 194	23741-55	A-23741-55	38, 123	23974-87	A-23974-87	126
22332-48	H-4250-060	194	23901-81	A-23901-81	121, 126, 131	23975-87	A-23975-87	126
22333-36	H-7024-070	20, 194	23902-81	A-23902-81	123, 131	23977-88R	A-23977-88R	10, 126
22333-48	H-4250-070	194	23909-80	A-23909-80	123	23978-88R	A-23978-88R	10, 126
22334-78B	10-0306	193	23915-52	50-4763	180	23981-98	A-23981-98	126, 131
22334-78A	10-0330	193	23916-32	50-4703	179	23982-12	A-23982-12	126, 160
22335-78B	10-0307	193	23916-54A	50-4767	180	23985-18	A-23985-18	64, 159
22335-78A	10-0331	193	23916-57A	50-4771	180	23985-54	A-23985-54	44, 47, 159
22336-78A	10-0332	193	23916-81A	50-4777	180	23985-56	A-23985-56	159
22337-78A	H-6127-030	194	23919-37	50-4707	179	23985-12	A-23985-12	159
22337-78A	10-0333	193	23919-41	50-4711	179	24000-75	A-24000-75	123
22338-78A	10-0334	193	23919-56	50-4721	179	24000-29	A-24000-29	123
22339-78A	H-6127-050	194	23919-70A	50-4731	179	24000-57	A-24000-57	123
22355-57A	10-0600	195	23919-72	50-4741	179	24000-80	A-24000-80	123
22355-38	H-4244-STD	12, 17, 198	23922-80	50-4751	180	24000-52	A-24000-52	64, 123
22355-57A	H-6457-STD	195	23928-87	A-23928-87	121	24000-54	A-24000-54	64, 123
22355-72A	H-7003-STD	195	23947-88R	A-23947-88R	10, 126	24000-41R	A-24000-41R	123
22355-41	H-4275-STD	194	23947-87R	A-23947-87R	126	24001-55	A-24001-55	123
22355-72A	10-0630	195	23960-54	A-23960-79	126	24001-56	A-24001-56	123
22357-38	H-4244-010	12, 17, 198	23960-54	A-23960-54	126	24001-65	A-24001-65	123
22357-57A	H-6457-010	195	23960-29	A-23960-29	126	24001-70	A-24001-70	123
22357-41	H-4275-010	194	23960-80	A-23960-80	126	24001-72	A-24001-72	123
22357-57A	10-0601	195	23960-29	A-23960-39	126	24001-30	A-24001-30	123
22357-72A	10-0631	195	23960-29	A-23960-29A	126	24002-70	A-24002-70	38, 123
22358-38	H-4244-020	12, 17, 198	23960-80	A-23960-89	126	24003-30	A-24003-30	121, 131, 329
22358-57A	H-6457-020	195	23960-80	A-23960-80A	126	24003-55	A-24003-55	123, 131, 329
22358-41	H-4275-020	194	23960-52	A-23960-52	64, 126	24004-03	A-24004-03	42, 107
22358-57A	10-0602	195	23960-54A	A-23960-54A	126	24004-03	A-24004-RACE	42, 123
22358-72A	10-0632	195	23960-55R	A-23960-55R	10, 126	24005-67R	A-24005-67R	121
22359-38	H-4244-030	12, 17, 198	23961-41	A-23961-41	126	24005-37	A-24005-37	121
22359-72A	H-7003-030	195	23961-41	A-23961-79	126	24005-57	A-24005-57	121
22359-41	H-4275-030	194	23961-80A	A-23961-80	126	24005-52R	A-24005-52R	121
22359-57A	10-0603	195	23961-80A	A-23961-89	126	24005-80	A-24005-80	121
22359-72A	10-0633	195	23961-41	A-23961-41A	126	24005-52	A-24005-52	64, 121
22360-38	H-4244-040	12, 17, 198	23961-80A	A-23961-80A	126	24005-54	A-24005-54	64, 121
22360-72A	H-7003-040	195	23961-41	A-23961-025	126	24006-37	A-24006-37	121
22360-41	H-4275-040	194	23962-88R	A-23962-88R	10, 126	24006-54A	A-24006-54A	121
22360-57A	10-0604	195	23962-40	A-23962-40	126	24006-39	A-24006-39	121
22360-72A	10-0634	195	23962-87R	A-23962-87R	126	24006-58	A-24006-58	121
22361-38	H-4244-050	12, 17, 198	23962-40	A-23962-79	126	24006-73	A-24006-73	121
22361-41	H-4275-050	194	23962-40	A-23962-40A	126	24006-80	A-24006-80	121
22361-57A	10-0605	195	23966-54A	A-23966-54A	126, 131	24006-83	A-24006-83	121
22362-38	H-4244-060	12, 17, 198	23966-36	A-23966-36	126, 131	24006-87	A-24006-87	121
22362-57A	H-6457-060	195	23967-54A	A-23967-54A	126, 131	24007-69R	A-24007-69R	10, 121
22362-72A	H-7003-060	195	23967-56R	A-23967-56R	126, 131	24008-97	A-24008-97	123
22362-41	H-4275-060	194	23967-48	A-23967-48	64, 126, 131	24008-75	A-24008-75	121
22362-57A	10-0606	195	23967-41	A-23967-41	126, 131	24008-99	A-24008-99	41, 123
22363-38	H-4244-070	12, 17, 198	23969-83	A-23969-83	126, 131	24008-03	A-24008-03	42, 123
22363-57A	H-6457-070	195	23969-80	A-23969-80	126, 131	24009-06	A-24009-06	42, 123
						24011-37	A-24011-37	62, 64, 77

# \*\*EASTERN MOTORCYCLE PARTS\*\*

## \*\*CROSS REFERENCE\*\*

OEM NUMBER	EASTERN NUMBER	PAGE NUMBER	OEM NUMBER	EASTERN NUMBER	PAGE NUMBER	OEM NUMBER	EASTERN NUMBER	PAGE NUMBER
24015-36	A-24015-36	64, 121, 123, 160	24277-36	E-2006	115	24628-87A	A-24628-87A	107
24016-80	A-24016-80	131, 121	24281-41A	E-2005	115	24641-36	A-24641-36	44, 47, 55, 109
24016-29	A-24016-29	121, 123, 160	24281-74A	E-2012	115	24641-87A	A-24641-87A	107
24017-72	A-24017-80	131, 123	24281-80	E-2013	115	24643-87A	A-24643-87A	107
24018-72	A-24018-72	123, 160	24281-83	E-2014	115	24645-37	A-24645-37	60, <b>NEW</b>
24020-51	A-24020-51	121	24316-99	A-24316-99	30, 108	24646-36	A-24646-36	54, 58, 60
24022-90	A-24022-90	47, 131, 121	24331-36	A-24331-36	108	24647-87	A-24647-87	72, 74, 75, 107
24023-36	A-24023-36	121, 123, 131	24332-36	A-24332-36	108	24648-77	A-24648-77	70, 72, 107
24023-54	A-24023-54	44, 47, 121, 131	24334-36	A-24334-36	108	24648-77	A-24648-77A	70, 72, 107
24029-55	A-24029-55	38, 53, 124	24335-36	A-24335-36	108	24650-87	A-24650-87	72, 74, 75, 107
24029-65	A-24029-65	38, 124	24340-29	E-2003	115	24650-55	A-24650-55	54, 67
24031-55	A-24031-55	53, 54, 124	24341-52A	E-2000	115	24650-58	A-24650-58	38
24032-70	A-24032-70	38, 124	24345-36A	E-2001	115	24651-55	A-24651-55	54, 67
24032-66	A-24032-66	38, 124	24345-36A	E-2001-005	115	24651-58	A-24651-58	38
24033-70	A-24033-70	38, 124	24345-36A	E-2001-010	115	24652-55	A-24652-55	54, 67
24033-66	A-24033-66	38, 124	24346-87A	A-24346-87A	116	24652-58	A-24652-58	38
24034-70	A-24034-70	38, 124	24354-87A	A-24354-87A	116	24653-55	A-24653-55	54, 67
24034-66	A-24034-66	38, 124	24362-54A	A-24370-95	116	24653-58	A-24653-58	38
24035-70	A-24035-70	38, 124	24362-54A	A-24370-94	116	24654-55	A-24654-55	54, 67
24035-66	A-24035-66	38, 124	24366-71	A-24385-80A	116	24654-58	A-24654-58	38
24036-70	A-24036-70	38, 124	24366-51	A-24366-51	<b>NEW</b>	24655-55	A-24655-55	54, 67
24036-66	A-24036-66	38, 124	24370-52A	A-24370-52A	116	24655-58	A-24655-58	38
24037-70	A-24037-70	38, 124	24385-40B	A-24385-40B	116	24658-86	A-24658-86	121
24037-66	A-24037-66	38, 124	24386-94R	A-24386-94R	10, 107, <b>NEW</b>	24658-87	A-24658-87	121
24038-99	A-24038-99	41, 124	24490-36	Y-21-960	38, 53, 58	24659-87	A-24659-87	72, 74, 75, 107
24038-03	A-24038-03	42, 124	24530-90	A-24530-90	274	24660-87	A-24660-87	72, 74, 75, 107
24039-01A	A-24039-01A	41, 124	24578-57	A-24578-57	67, 70, 72	24690-40	A-24690-40	54, 58
24039-03	A-24039-03	42, 124	24585-57	A-24585-57	67, 113	24691-39	A-24691-39	60
24051-80	A-24051-80	124	24585-39	A-24585-39	60, 113	24692-54	A-24692-54	54, 64, 67
24052-80	A-24052-80	124	24585-52	A-24585-52	64, 113	24692-58	A-24692-58	38
24053-80	A-24053-80	124	24586-39	A-24586-39	60, 113	24692-39	A-24692-39	60
24054-80	A-24054-80	124	24587-39	A-24587-39	60, 113	24695-40	A-24695-40	54
24060-26	A-24060-SET	127	24595-40	A-24595-40	58, 113	24696-40	A-24696-40	58
24061-74	A-24061-74	77, <b>NEW</b>	24596-40	A-24596-40	58, 113	24696-39	A-24696-39	62, 64
24063-26	A-24063-26	127	24597-40	A-24597-40	58, 113	24697-40	A-24697-40	54, 55
24066-26	A-24066-26	127	24599-40	A-24599-40	53, 113	24699-37	A-24699-37	55, 62, 64, 155
24068-26	A-24068-26	127	24599-55	A-24599-55	53, 113	24700-37	A-24700-37	58, 155
24070-26	A-24070-26	127	24599-58	A-24599-58	38, 113	24701-54	A-24701-54	54, 64, 67, 164
24073-26	A-24073-26	127	24599-58B	A-24599-58B	38, 113	24701-52	A-24701-52	64, 67, 164
24075-26	A-24075-26	127	24600-58	A-24600-58	38, 113	24701-39	A-24701-39	60, 163
24077-26	A-24077-26	127	24600-55	A-24600-55	53, 113	24702-40	A-24702-40	54, 58, 164
24079-26	A-24079-26	127	24600-40	A-24600-40	53, 113	24703-40	A-24703-40	44, 47, 55
24082-26	A-24082-26	127	24600-58B	A-24600-58B	38, 113	24703-54A	A-24703-54	44, 47
24084-26	A-24084-26	127	24601-40	A-24601-40	53, 113	24704-90	A-24704-90	47
24100-17	A-24100-SET	127	24601-55	A-24601-55	53, 113	24718-54	A-24718-54	54, 67
24101-17	A-24101-17	127	24601-58	A-24601-58	38, 113	24720-29	A-24720-29	<b>NEW</b> , 60
24102-17	A-24102-17	127	24601-58B	A-24601-58B	38, 113	24720-29	V-13-219	<b>NEW</b> , 9, 116
24104-17	A-24104-17	127	24602-58	A-24602-91	38, 91	24721-30	A-24721-30	54, 58
24106-17	A-24106-17	127	24603-00	A-24603-00	<b>NEW</b> , 42	24729-74	A-24729-74	70, 72, 74, 107
24108-17	A-24108-17	127	24604-00C	A-24604-00C	42, 75, 107	24729-52	45-0215	64, 68, 107
24111-17	A-24111-17	127	24605-07	A-24605-07	42, 75, 107	24729-74	A-24729-74A	70, 72, 74, 107
24113-17	A-24113-17	127	24608-54	A-24608-54	38, 53, 67	24754-75A	A-24754-75A	68, 70, 137
24115-17	A-24115-17	127	24610-39	A-24610-39	60, 114	24775-39	A-24775-39	60
24117-17	A-24117-17	127	24610-39	A-24613-39	60, 114	24776-40	A-24776-40	54, 58
24120-17	A-24120-17	127	24611-39	A-24611-39	60, 114	24779-40	A-24779-40	54, 58
24122-17	A-24122-17	127	24612-39	A-24612-39	60, 114	24779-55	A-24779-55	58, 164
24275-57	E-2004	115	24621-40	A-24621-40	53, 58, 114	24781-36	A-24781-36	54, 58
24275-32	E-2030	115	24622-40	A-24622-40	53, 58, 114	24781-54	A-24781-54	64, 68
24275-80A	E-2019	115	24623-40	A-24623-40	53, 58, 114	24819-36	A-24819-36	167, 172
24275-86A	E-2020	115	24623-99	A-24623-99B	41	24820-36	A-24820-36	167
			24626-87A	A-24626-87A	107	24821-74R	47-0571	10, 426
						24830-41	A-24830-41	172

# \*\*EASTERN MOTORCYCLE PARTS\*\*

## \*\*CROSS REFERENCE\*\*

OEM NUMBER	EASTERN NUMBER	PAGE NUMBER	OEM NUMBER	EASTERN NUMBER	PAGE NUMBER	OEM NUMBER	EASTERN NUMBER	PAGE NUMBER
24831-41	A-24831-41	172	25416-99B	47-2205	136, 245, 280, 426	25794-30	A-25794-30	59, 62, 64
24912-48A	A-24912-48A	39, 54	25426-80	R-9-1990	378, 382	25794-36	A-25794-36	45, 56
24912-52B	O-6-001	64, 77	25448-84	A-25448-84	160, 251, 253	25800-36	A-25800-36	45, 56
24914-58	A-24913-58	39, 54	25452-87A	A-25452-87A	229, 231	25800-36B	A-25800-36B	45, 56
24918-58	A-24918-58	39, 54	25453-87A	A-25453-87A	229, 231	25810-15	A-25810-15	56, 62, 65, 164
24921-37	L-3-723	58, 62, 426	25550-57	A-25550-57	45, 48	25811-11	A-25811-11	62, 65, 77, 271
24922-93	A-24922-93	389, 394, <b>NEW</b>	25550-36	A-25550-36	45, 48, 56	25856-36	A-25856-36	45, 56
24975-52	A-24975-52	44	25550-57A	A-25550-57A	45, 48	25859-36	A-25859-36	45, 56
24975-63	A-24975-63	44	25551-58	A-25551-58	77	25938-00	A-25723-SET	51
24978-57	L-3-827	62, 68, 426	25551-36	A-25551-36	45, 48, 56	26002-86	A-26002-86	155
24979-63	A-24979-63	155	25552-36	A-25552-36	45, 48, 56	26072-90	L-3-1035	426
24981-70	A-24981-70	47	25553-36	A-25553-36	45, 48, 56	26072-99	47-0665	426
24981-66	A-24981-66	44	25554-36	A-25554-36	45, 48, 56	26077-93	L-3-1039	426
24982-70	A-24982-70	47, 155	25555-36	A-25555-36	45, 48, 56	26077-99	47-0677	426
24982-66	A-24982-66	45, 155	25555-84	A-25555-84	45, 48, 56	26207-83	A-26207-83	155, 168, 171
24983-00	A-24983-00	50	25556-79	A-25556-79	45, 48, 56	26210-99	A-26210-99	51, 155
24985-52	A-24985-52	45, 55, <b>NEW</b>	25557-79	A-25557-79	45, 48, 56	26227-58	A-26227-58	133, 168, 171, 175
25224-52A	L-3-835	10, 12, 64, 77, 426	25558-79	A-25558-79	45, 48, 56	26244-37	L-3-926	172, 426
25225-36C	L-3-837	45, 55, 426	25559-79	A-25559-79	45, 48, 56	26245-41	L-3-929	167, 426
25225-70B	L-3-839	47, 426	25562-99	A-25562-99	50, 129	26246-68A	L-3-931	168, 426
25225-93B	L-3-839B	47, 426	25563-99	74-1401	401	26246-37	L-3-927	172, 426
25225-70X	54-7005	47, 426	25575-37	15-0111	111	26250-56	A-26250-56	175
25226-37	L-3-703	62, 426	25576-37	15-0113	111	26255-41	L-3-922	167, 427
25227-37	48-0201	58, 426	25577-36	15-0117	111	26256-52	L-3-935	12, 175, 427
25244-99	47-0383	50, 426	25577-54	15-0123	111	26257-50A	L-3-928	427
25263-81	L-3-836	77, 426	25581-36	A-25581-36	45, 56, 109	26257-41	L-3-930	167, 427
25263-86	L-3-836A	77, 426	25581-70	A-25581-70	48, 109	26258-68B	L-3-932	168, 427
25263-90	L-3-836B	78, 426	25582-36	A-25582-36	56, 109	26258-52	L-3-936	10, 12, 175, 427
25275-36	A-25275-36	45, 55	25582-54A	A-25582-54A	45, 48, 109	26258-62	L-3-936A	175, 427
25276-52	A-25276-52	173	25582-73	A-25582-73	48, 109	26259-52	L-3-937	12, 175, 427
25279-36	A-25279-36	45, 55	25582-93	A-25582-93	48, 109	26259-62	L-3-937A	175, 427
25287-37	A-25287-37	58, 62, 64, 77, 155	25588-57	A-25588-57	77, 109	26262-80	A-26262-80	155, 168, 171
25313-50	A-25313-50	45, 47, 56	25588-91	A-25588-91	78, 109	26273-80B	L-3-923	168, 171, 427
25313-73	A-25313-73	45	25593-74	A-25593-74	77, 78, 109	26273-92	L-3-923B	171, 427
25314-50	A-25314-50	45, 47, 56	25593-57	A-25593-57	77, 109	26276-80A	L-3-924	168, 171, 427
25315-50	A-25315-50	45, 47, 56	25593-52	A-25593-52	65, 109	26276-92	L-3-924B	171, 427
25316-52	A-25316-52	45, 47, 56	25594-75	A-25594-75A	77, 109	26286-37	A-26286-37	155, 172
25320-82	A-25320-82	47	25595-52	A-25595-52	65, 109	26315-68A	A-26315-68A	168, 171
25320-79	A-25320-79	47	25595-99	A-25595-99	50, 129	26315-72A	A-26315-72A	175
25321-82	A-25321-82	47	25597-36	A-25597-36	56, 109	26315-48	V-13-166	167
25321-79	A-25321-79	47	25597-57	A-25597-57	77, 109	26317-68A	A-26317-68A	168, 171
25322-82	A-25322-82	47	25598-91	A-25598-91	78, 109	26317-62	V-13-170	167
25322-79	A-25322-79	47	25674-99	A-25674-99	50, 129	26317-72A	A-26317-72A	175
25323-82	A-25323-82	47	25675-99	A-25675-99	50, 129	26318-37	V-13-171	65
25323-79	A-25323-79	47	25676-99	A-25676-99	50, 129	26320-37	A-26320-37	172
25325-79	A-25325-79	47	25716-99	74-1399	50, 401	26322-52A	A-26322-52A	175
25325-82	A-25325-82	47	25717-00	A-25717-00	51	26323-52A	A-26323-52A	175
25326-79	A-25326-79	47	25719-00	A-25719-00	51	26326-62A	V-13-176	167, 168, 171
25326-82	A-25326-82	47	25721-00	A-25721-00	51	26326-37	A-26326-37	172
25327-79	A-25327-79	47	25722-00	A-25722-00	51	26327-52	A-26327-52	167, 175
25327-82	A-25327-82	47	25723-00	A-25723-00	51	26327-68	A-26327-68	169, 171
25328-79	A-25328-79	47	25729-06	41-0130	51	26328-41	A-26328-41	167
25328-82	A-25328-82	47	25731-06	41-0132	51	26328-74	V-13-177	169, 171
25344-99	A-25344-99	50, 109	25734-06	41-0134	51	26331-60	A-26331-60	175
25408-84A	A-25408-84A	251, 253, 256, <b>NEW</b>	25736-06	41-0136	51	26331-56	A-26331-56	175
25409-94B	A-25409-94B	253, 256, <b>NEW</b>	25737-06	41-0138	51	26331-37	A-26331-37	172
25414-70A	R-9-1988	245, 378, 380, 382	25738-06	41-0140	51	26331-72	A-26331-72	175
25416-70	L-3-886	135, 245, 380, 426	25785-30A	A-25785-30A	45, 56, 59, 62, 65	26331-52	A-26331-52	175
25416-84	A-25416-84	136, 245, 380	25788-30	A-25788-30	59, 62, 64	26340-36	A-26340-36	56, 159, 167, 172
25416-84B	A-25416-84B	136, 245	25791-36	A-25791-36	45, 56	26341-37	A-26341-37	172, 175
25416-99	A-25416-99	136, 245, 380						
25416-70A	47-2200	245, 380, 426, 136						



# \*\*EASTERN MOTORCYCLE PARTS\*\*

## \*\*CROSS REFERENCE\*\*

OEM NUMBER	EASTERN NUMBER	PAGE NUMBER	OEM NUMBER	EASTERN NUMBER	PAGE NUMBER	OEM NUMBER	EASTERN NUMBER	PAGE NUMBER
26343-39	A-26343-39	172	27062-78	A-27062-78A	133, 287, 289	27646-71	L-3-771	283, 427
26345-39	A-26345-39	45, 48, 56	27063-80	A-27063-80	287, 289	27659-71	A-27659-71	155, 283
26345-73	A-26345-73	48	27063-57	A-27063-57	283, 285	27666-71	A-27666-71	155, 283
26346-36	A-26346-36	45, 56, 167	27077-78	L-3-814	285, 427	27669-66	A-27669-66	155
26346-68	A-26346-68	45, 169	27077-78	A-29250-78A	280, 287, 289	27683-07	V-13-187	309, 316
26346-70	A-26346-70	48, 169, 171	27121-89	A-27121-89	136, 291	27689-61	A-27689-61	155
26347-15	A-26348-15	45, 48, 56, 158, 167	27123-89	A-27123-89	155, 291	27691-59	A-27691-59	155
26348-36	A-26348-36	45, 56, 164, 167, 169	27124-89	A-27124-89	164, 291	27703-08	V-13-188	309, 316
26349-54	A-26349-54	45, 48	27132-71	A-27132-71	283, 285, 287, 289	27706-66	A-27706-66	156
26349-73A	A-26349-73A	48	27136-81	A-27136-81	155, 289, 291	27709-06A	V-13-225	309, 394, <b>NEW</b>
26349-84	A-26349-84	48	27136-90	A-27136-90	155, 291	27719-07	V-13-189	309, 316
26363-56	A-26363-56	155, 167, 172	27157-89	A-27157-89	136, 291	27762-71A	A-27762-71A	283
26363-36	A-26363-36	155, 167, 169, 172	27162-89	A-27162-89	155, 291	27886-78	A-27886-78A	287, 289, 291
26364-72	A-26364-72	155, 175	27237-95	A-27237-95	136	27889-78	A-27889-78	136, 287, 289
26364-57	A-26364-57	155, 175	27244-95	A-27244-95	136	27894-78	A-27894-78	285, 287, 289
26369-41	A-26369-41	121, 172, <b>NEW</b>	27272-71	A-27272-71	155, 283	27896-79	A-27896-79	285, 287, 289
26373-41	A-26373-41	155, 172	27275-24	A-27275-24	280	27897-78	A-27897-78	285, 287, 289
26374-54	A-26374-54	155, 167, 169	27275-26	A-27275-26	280	29002-85T	M-4-132	389
26374-42	A-26374-42	155	27276-40	A-27276-40	280	29058-77	L-3-995	285, 287, 289
26383-32	A-26383-32	59, 62, 167, 169	27290-24	A-27290-24	280	29168-83A	A-29168-83A	160, 389, <b>NEW</b>
26400-54	A-26400-54	167, 169	27291-32	A-27291-32	155, 280	29211-86	A-29211-86	358
26400-82	A-26400-82	51, 169, 171	27311-76	A-27311-76	285, 287, 289, 291	29212-71	A-29212-71	358
26420-57	A-26420-57	175	27314-76	A-27314-76	155, 285, 287	29213-79	A-29213-79	358
26430-76	A-26430-76	137, 176	27315-88	A-27315-88	155, 291	29214-71	A-29214-71	358, <b>NEW</b>
26431-76	A-26431-76	109, 176	27319-76	A-27319-76	155, 285	29215-78	A-29215-78	358
26432-76A	A-26432-76A	28, 36, 41, 42, 136	27322-76	A-27322-76	155, 285, 287	29221-73	A-29221-73	358
26433-77	A-26433-77	136, 176	27324-83	A-27324-83	136, 289	29242-83	L-3-813	289, 427
26434-76A	A-26434-76A	136, 176	27326-71	A-27326-71	136, 283	29476-99	A-29476-99	389, 394, <b>NEW</b>
26434-91	A-26434-91	136, 177	27330-33	A-27330-33	155, 280	29502-08A	A-29502-08A	389, 394, <b>NEW</b>
26436-86	A-26436-86	155	27336-76	A-27336-76	136, 285	29533-55A	A-29533-55A	294
26488-91	A-26488-91	177	27337-76	A-27337-76	285	29534-55A	A-29534-55A	294
26488-75	A-26488-75	176	27347-69	A-27347-69	155	29550-55	47-0581	427
26488-98	A-26488-98	177	27348-77	A-27348-77	285, 287, 289	29600-56R	47-0550	10, 427
26489-75	A-26489-75	110, 176	27348-76	A-27348-76	285, 287, 289	29602-56R	47-0563	10, 427
26495-75	L-3-925	176, 427	27349-27	A-27349-27	155, 280	29907-82	A-29907-82	302
26495-89	L-3-918	177, 427	27358-76	A-27358-76	136, 285	29908-82	A-29908-82	302
26497-75	A-26497-75	164, 176	27360-76	A-27360-76	136, 285, 287, 289	29909-82	A-29909-82	302
26550-38A	A-26550-38A	59, 172, 308, 390	27361-76	A-27361-76	285, 287, 289, 291	29910-82	A-29910-82	302
26551-39A	A-26551-39A	167, 308, 390	27362-76	A-27362-76	155, 285, 287, 289	29911-82	A-29911-82	133, 302
26552-72	A-26552-72	167, 169, 175, 308	27376-52	L-3-763	13	29913-82	A-29913-82	302
26554-77	A-26554-77	176, 308, 390	27380-33A	A-27380-50	280	29916-82	A-29916-82	107, 302
26561-84	A-26561-84	48, 171, 308, 390	27382-33	A-27382-33	280	29917-82	A-29917-82	107, 302
26561-99	A-26561-99	308, 390	27382-77	A-27382-77	285, 287, 289	29923-01A	A-29923-01A	305
26856-89	A-26856-89	86, 94, 383, 430	27389-71	A-27389-71	283	29954-71	A-29954-71	305
26858-99	A-26858-99	88, 383, 430	27391-36	L-3-761	280, 427	29960-85	A-29960-85	305
26992-99	A-26992-99	133	27405-26	A-27405-26	155, 280	29960-91	A-29960-91	305
26995-86A	A-26995-86A	133, 291	27406-26	A-27406-26	165, 280	29961-85	A-29961-85	305
27002-89	A-27002-89	133, 291	27410-57	47-0457	427	29965-70	A-29965-70	305
27006-76	A-27006-76	283, 285, 287, 289	27410-39	47-0447	281, 427	29965-75	A-29965-75	305
27006-92T	A-27006-79	283, 285, 287, 289	27411-40	L-3-810	281, 427	29965-81A	A-29965-81A	305
27006-83	A-27006-83	283, 285, 287, 289	27414-61	47-0477	427	29965-75A	A-29965-75A	305
27006-87	A-27006-87	283, 285, 287, 289	27416-76	A-27416-76	285, 287, 289	29967-89A	A-29967-89	305
27015-72R	L-3-811	10, 427	27417-76	A-27417-76	285, 287, 289	29967-84	A-29967-84	305
27023-71	L-3-812	283, 287, 289, 427	27418-76	A-27418-76	285, 287, 289	29970-88	A-29970-88	305
27039-48	E-801	281	27419-76	A-27419-76	285, 287, 289	29975-58A	E-1212B	297, 301
27039-48	E-802	281	27444-00Y	44-0300	102, 136	29975-65A	E-1211B	297, 301
27058-30	A-27058-30	281	27577-88	A-27577-88	136, 291	29975-65A	E-1214B	301
27059-40	A-27059-40	281	27577-92	A-27577-92	136, 291	29976-83T	E-1216C	301
27060-55	A-27060-55	136, 281, 283, 285	27584-88	A-27584-88	155, 291	30011-36	A-30011-36	297, 299
			27599-66	A-27599-66	155	30012-32	A-30012-32	297, 299
			27613-71	A-27613-71	155, 283	30012-58	A-30012-58	297, 301
			27642-71	A-27642-71	155, 283	30095-61	E-429	297, 301

# \*\*EASTERN MOTORCYCLE PARTS\*\*

## \*\*CROSS REFERENCE\*\*

OEM NUMBER	EASTERN NUMBER	PAGE NUMBER	OEM NUMBER	EASTERN NUMBER	PAGE NUMBER	OEM NUMBER	EASTERN NUMBER	PAGE NUMBER
30131-59	K-2-407	301	31441-65A	A-31441-65A	307	31609-65A	A-31609-65A	303
30132-61A	E-429A	297, 301	31443-65A	A-31443-65A	96, 98	31609-65	A-31609-65	303
30137-32	E-428	297, 299	31443-65TA	A-31443-65T	96, 98	31614-83A	A-31614-83A	303
30137-32	K-2-408	299, 376	31445-65A	A-31445-65	96	31614-83A	74-1200	303
30138-30	L-3-818	297, 299, 427	31458-66A	A-31458-66A	99, 306	31620-88A	A-31620-88A	303
30143-58	L-3-830	297, 301, 302, 427	31461-70	L-3-903	98, 427	31625-82	R-9-1038	303, 376
30143-30	L-3-828	297, 299, 427	31463-88T	A-31463-88	99, 306	31630-08	A-31630-08	324, <b>NEW</b>
30145-46A	A-30145-46A	133, 299, 301	31471-67A	L-3-905	98, 427	31641-06	A-31641-06	102, 156
30148-58	A-30148-58	110, 297, 301	31473-86	A-31473-86	306, 380	31655-99	A-31655-99	303
30201-58A	E-1007	295, 301	31478-67	A-31478-67	98	31663-90	A-31663-90	102, 104
30228-32	L-3-820	297, 299, 427	31478-65A	A-31478-65A	96	31692-90	A-31692-90	102, 156
30276-58	A-30276-58	297, 301	31482-65	A-31482-65	96	31695-90	A-31695-90	102, 104, 136
30280-18	A-30280-18	297, 299	31482-70	A-31482-70	96	31723-71A	J-1-21	303, 387
30280-58	A-30280-58	297, 301	31483-67	A-31483-67	98	31800-78	M-4-142	303, 376
30350-58	E-425	297, 301	31485-65	A-31485-65	96, 98	31981-65B	R-9-1560	316
30350-66	E-426	297, 301	31488-77	L-3-906	99, 427	31981-65B	R-9-1561	316
30352-32	M-4-838	297, 299, 431	31488-81	L-3-907	103, 104, 427	31986-65C	R-9-1564	316
30373-51	L-3-821	297, 299, 427	31489-79C	A-31489-79C	307	31986-65C	R-9-1565	316
30385-32	E-427	297, 299, <b>NEW</b>	31489-79B	A-31489-79B	307	32301-60	R-9-1532	316
30425-32	A-30425-32	297, 299	31489-79C	R-9-1519	307	32309-69	R-9-1536	316
30425-51	A-30425-51	297, 299	31490-67	A-31490-67	98	32311-83	R-9-1525	316
30426-58	A-30426-58	297, 301	31493-67	A-31493-67	96, 98, 131	32311-83	R-9-1535	316
30430-26	A-30430-26	156, 297, 299	31495-79	A-31495-79	98	32312-78A	R-9-1526	316
30453-58	A-30453-58	156, 297, 301	31501-65	A-31501-65	96, 98	32317-86	R-9-1527	316
30453-32	A-30453-32	156, 297, 299	31502-65	A-31502-65	96, 98	32370-26	R-9-1530	316
30475-66	A-30475-66	297, 301	31503-70	A-31503-70	96	32400-80A	R-9-1600	303
30605-48A	A-30605-48A	294	31503-65	A-31503-65	96, 98	32404-90	R-9-1604	303
30851-61	E-1000A	295, 301	31504-91A	A-31504-91A	307	32404-94	R-9-1602	303
30851-65A	E-1003A	295, 301	31506-79B	A-31506-79B	307	32407-88 T	Y-21-857	376
30851-58	E-1001A	295, 301	31511-01A	A-31511-01B	307	32502-66A	Y-21-752	293
31015-30	L-3-819	297, 299, 427	31522-00C	A-31522-00C	307	32505-36A	Y-21-750	293
31020-30	A-31020-30	297, 299	31526-81A	A-31526-81A	307	32515-85T	A-32517-KIT	293
31035-31	A-31035-31	297, 299	31530-65	A-31530-65	96	32521-36	L-3-752	293, 427
31035-58	A-31035-58	297, 301	31531-69	A-31531-69	96	32522-70	A-32522-70	293
31040-31	A-31040-31	156, 297, 299	31534-66	A-31534-66	99, 156, 306	32522-37	L-3-753	10, 13, 427
31067-63	A-31067-63	297, 301	31535-66	A-31535-66	99, 306	32525-36A	A-32525-36A	110, 293
31070-30	A-31070-30	56, 297, 299	31537-66	A-31537-66	99, 306	32531-36	A-32531-36	293
31070-58	A-31070-58	297, 301	31539-66	A-31539-66	107, 306	32535-48	A-32535-48	271
31071-37	A-31071-37	59, 62, 65, 297, 299	31541-66	A-31541-66	99, 306	32536-48	A-32536-48	271
31073-63A	A-31073-63	297, 301, 302	31542-66	A-31542-66	99, 295, 306	32537-48	A-32537-48	271
31080-83T	K-2-736	376	31557-81	A-31557-81	102, 103, 156, 306	32538-48	A-32538-48	271
31097-58	L-3-824	297, 301, 427	31565-67	K-2-409	99, 100, 306, 376	32577-70	R-9-1540	293
31098-58	L-3-825	297, 301, 427	31567-81	A-31567-81	103	32577-70	A-32577-70	293
31311-80	A-31311-80	96	31570-73	A-31570-73	99, 100, 306	32589-65	M-4-127	376
31312-80	A-31312-80	96, 131	31570-73C	A-31570-73C	99, 100, 306	32589-36	M-4-4518	376
31320-80	L-3-911	96, 427	31575-73	A-31575-73	100, 306	32591-80	L-3-834	48, 427
31321-80	L-3-912	96, 427	31576-73	A-31576-73	100, 306	32591-70	L-3-832	48, 77, 427
31326-91	A-31326-91	104, 156	31580-73	A-31580-73	100, 295, 306	32592-36	A-32592-36	164, 376
31330-91	A-31330-91	104, 156	31583-73	A-31583-73	100, 107, 306	32601-78	A-32601-78	48, 77, 293
31341-80	A-31341-80	96, 133	31584-73	A-31584-73	100, 306	32601-80	A-32606-82	48, 293
31342-94	A-31342-94	102	31593-73	A-31593-73	156, 306	32605-70	A-32605-70	156, 293
31350-83T	K-2-766	99, 376	31596-85	A-31575-81	103, 306	32606-82	A-32606-96	48, 293
31351-83T	K-2-768	99, 376	31600-90	A-31600-90	102, 104, 156, 306	32608-70	A-32608-70	48, 77, 293
31352-85T	R-9-1032	307, 376	31601-04	A-31601-04	307	32618-70A	A-32618-70A	293
31424-67	A-31424-67	98	31602-30	A-31602-30	303	32629-30	A-32629-30	156
31429-67	A-31429-67	98	31604-61	A-31604-61	303	32658-30	A-32658-30	294
31430-94	A-31430-94	102, 306	31604-48	A-31604-48	303	32661-70	A-32661-70	294
31435-65B	A-31435-65B	307	31609-80	A-31609-80	303	32726-30A	A-32726-30A	294
31438-65A	A-31438-65A	156, 307				32726-30	A-32726-30	294
31439-65A	A-31439-84	307						
31440-65	A-31440-65	156, 307						

# \*\*EASTERN MOTORCYCLE PARTS\*\*

## \*\*CROSS REFERENCE\*\*

OEM NUMBER	EASTERN NUMBER	PAGE NUMBER	OEM NUMBER	EASTERN NUMBER	PAGE NUMBER	OEM NUMBER	EASTERN NUMBER	PAGE NUMBER
33030-41	L-3-430	238, 427, 436	33209-80	A-33209-80	227, 233	33449-94	A-33449-94	102, 156
33030-41	L-3-431	238, 427, 436	33210-80	A-33210-80	227, 233	33630-52	J-1-33	276
33031-36	M-4-847A	427, 430, 436	33211-80	A-33211-80	227, 233	33638-52	A-33638-52	269
33031-65A	L-3-435	427, 436	33212-80	A-33212-80	227, 233	33638-70	A-33638-70	269
33031-70	L-3-437	428, 436	33213-31	K-2-819	263, 265	33640-83	O-6-045	233, 275
33031-80	L-3-440	428, 436	33213-31	K-2-819BLK	263, 265	33644-52	Y-21-812	376
33031-82	L-3-445	428, 436	33277-36A	E-418	263, 378	33644-65	Y-21-814	376
33031-85	L-3-450	428, 436	33277-36A	E-418C	263, 378	33644-71	Y-21-816	376
33031-85	L-3-451	428, 436	33288-37	A-33288-37	110, 263	33652-90	A-33652-90	274
33031-91	L-3-453	428, 436	33295-36	L-3-960	207, 263, 428	33653-90	A-33653-90	164, 274
33031-99	L-3-461	428, 436	33298-36	A-33298-36	206, 263	33660-54	J-1-31	276
33031-80	54-1412	447	33298-65	A-33298-65	206, 208, 263, 283	33712-79	A-33712-79	227, 233, <b>NEW</b>
33031-82	54-1414	447	33318-85	A-33318-85	160, 245, 380	33851-52	J-1-125	276
33031-91	54-1418	447	33333-79B	W-14-806-24	277	33870-51	J-1-126	267, 276
33031-93	54-1420	447	33334-79	A-33334-79	223	33871-K/M	A-99011-92	469
33031-99	54-1424	447	33334-85	A-33334-85	219, 225, 229	33878-51	J-1-127	267, 276
33031-99	54-1426	447	33335-79	A-33335-79	160, 223	33900-59	A-33900-59	223, 225, 229, 308
33032-99	L-3-466	428, 436	33336-83	W-14-806-22	277	33901-79	A-33901-79	271, 308
33043-80	A-33043-80	223, 225, 229	33337-83	W-14-803-23	277	33902-98	A-33902-98	229, 231, 308
33057-72	J-1-135	263, 265	33337-83	W-14-806-23	277	33904-00	A-33904-00	231, 308
33076-37	A-33076-37	133, 263, 265	33338-83	W-14-803-22	277	34031-36	A-34031-36	266, 267
33080-36	A-33080-36	263	33340-90	A-33340-90	102, 136	34031-41	A-34031-41	266, 269
33082-16	A-33082-16	160, 203, 263	33344-94	A-33344-94	219, 229, 231	34035-52	A-34035-52	10, 70, 133, 273,
33084-41	A-33084-41	156, 263, 265	33348-57	W-14-213	265	34036-36	A-34036-36	133, 237, 267, 269
33085-36	A-33085-36	156, 263	33348-78	W-14-214	265	34036-80	A-34036-80	136, 269, 271
33088-52	A-33088-52	265	33350-36	W-14-215	263	34037-52	A-34037-52	110, 273
33088-71	A-33088-71	265	33353-36	A-33353-36	208	34037-75	A-34037-75	110
33088-79	A-33088-79	265	33353-78	V-13-249	208	34040-52	A-34040-52	164, 271, 273
33088-41	A-33088-41	263	33354-08	A-33354-08	124	34050-36	A-34050-36	267, 269
33090-36	A-33090-36	263	33362-52	A-33362-52	160, 265	34051-38	A-34051-38	237
33094-77A	J-1-138	265	33374-00	A-33374-00	156, 235	34053-36	A-34053-36	267
33094-57A	J-1-139	265	33375-00	A-33375-00	235	34053-36	A-34053-KIT	267
33096-54B	J-1-136	263	33379-71A	W-14-189	249, 265	34057-36	A-34057-36	156, 237, 267
33099-52A	A-33099-52A	110, 265	33380-32	W-14-221	237	34060-52	A-34060-52	273
33101-32	A-33101-32	110, 237	33381-39	W-14-218	263	34062-52	A-34062-52	269, 271, 273
33110-54	A-33110-54	265	33389-06	A-33389-06	156, 235	34063-84B	A-34063-84B	273
33114-79	A-33114-79	223, 229, 231	33389-07	A-33389-07	156, 235	34064-52	A-34064-52	269
33119-79A	A-33119-79B	227, 233	33391-36	A-33391-36	156, 263	34064-00C	A-34064-00C	156, 235, 275
33120-85	A-33120-85	96	33391-52	A-33391-52	156, 265	34065-52	A-34065-52	273
33121-79	A-33121-79	98	33393-50	A-33393-50	159, 263	34066-52	A-34066-52	160, 269
33125-89	A-33125-89	102, 160	33396-39	A-33396-39	160, 263	34067-52	A-34067-52	160, 273
33126-90	A-33126-90	102, 160	33400-76	W-14-302	265	34068-52A	A-34068-52A	156, 269, 271, 273
33126-93	A-33126-93	102, 160	33416-K/M	A-99005-92	469	34069-71	A-34069-71	160, 273
33126-94	A-33126-94	102, 160	33429-39	A-33429-39	208	34073-91	A-34073-91	274
33162-67	A-33162-67	247, 249	33429-80	A-33429-80	208	34075-89	A-34075-89	274
33163-65B	A-33163-65B	241	33430-50	W-14-220	263	34076-02A	A-34076-02A	110, 274
33175-16B	K-2-811	263	33430-59	W-14-219	263	34076-89	A-34076-89	110, 274
33175-16	K-2-816	263	33432-73	W-14-216	265	34077-91	A-34077-91	274
33182-63A	K-2-789	263	33432-57A	W-14-217	265	34082-79	A-34082-79	227, 233
33187-79	A-33187-79	271	33438-50	A-33438-50	110, 263	34083-79	A-34083-79	156, 227, 233
33196-79	L-3-920	271, 428	33438-50	42-0154	110, 263, <b>NEW</b>	34085-79A	A-34085-79A	227, 233
33197-79	A-33197-79	160, 271	33442-73	A-33442-73	110, 265	34087-79A	A-34087-79A	156, 227, 233
33199-79	A-33199-79	156, 271	33442-57A	A-33442-57A	110, 265	34088-79	A-34088-79	227, 266
33201-79	A-33201-79	156, 271	33443-84	75-0271	419	34088-87	A-34088-87	227, 233, 235, 266
33205-80	A-33205-80	227, 233	33445-89	A-33445-89	110	34089-79	A-34089-79	156, 227, 233
33206-80	A-33206-80	227, 233	33446-94	A-33446-94	110, 245	34090-84	A-34090-84	206, 208
33207-80	A-33207-80	227, 233	33447-89	A-33447-89	102, 156	34091-85	A-34091-85	211, 213
33208-80	A-33208-80	227, 233	33449-90	A-33449-90	102, 156	34091-06	40-0146	213
						34091-08	40-0148	213
						34140-36	A-34140-36	266, 269
						34140-41	A-34140-41	266



# \*\*EASTERN MOTORCYCLE PARTS\*\*

## \*\*CROSS REFERENCE\*\*

OEM NUMBER	EASTERN NUMBER	PAGE NUMBER	OEM NUMBER	EASTERN NUMBER	PAGE NUMBER	OEM NUMBER	EASTERN NUMBER	PAGE NUMBER
34141-52A	A-34141-52A	266, 273	34621-06	O-6-092	276	35029-91A	74-0959	211, 406
34141-84A	A-34141-84A	266	34623-A	A-96785-93	468	35030-89	A-35030-89	74, 107
34158-36	A-34158-36	266, 267, 269, 271	34628-54A	A-34628-54A	273	35034-89A	74-0550	411
34158-36	74-0737	405	34628-75	A-34628-75	273	35036-84A	74-0852	215, 412
34159-36	A-34159-36	266, 267, 269, 271	34628-86	A-34628-86	273, 276	35036-84A	A-35036-84A	201, 215
34159-36	74-0735	405	34643-K/M	A-99015-92	470	35038-89	A-35038-89	74, 164
34161-41	A-34161-41	266	34723-47	A-34723-47	206	35039-70B	A-35039-70B	201, 206, 208, 412
34165-36	A-34165-36	267, 269	34724-36	A-34724-36	206	35039-65	74-0748	206, 208, 412
34168-39	A-34168-39	267, 269	34731-K/M	A-99012-92	470	35039-70A	74-0750	206, 208, 412
34168-52	A-34168-52	269, 271, 273	34734-K/M	A-99007-92	469	35039-85	74-0752	206, 412
34175-36	A-34175-36	267, 269	34735-K/M	A-99004-79	469	35039-65	A-35039-65	201, 206, 208, 412
34176-41	A-34176-41	266	34735-36	J-1-141	206	35039-85	A-35039-85	201, 206, 412
34179-33T	A-34179-33	131, 267, 269, 271	34740-K/M	A-99006-92	469	35040-50	74-0745	206, 208, 412
34180-33	A-34180-33	161, 267, 269, 271	34761-K/M	A-99020-92	470	35040-50	A-35040-50	201, 206, 208, 412
34182-76	A-34182-76	269	34803-59	A-34803-59	269	35041-84	A-35041-84	215
34184-79	A-34184-79	271	34824-79	L-3-921	428	35042-79	74-0990	211, 412
34186-76	A-34186-76	266, 267, 269, 271	34824-36	L-3-961	207, 267, 269, 271	35042-85	74-0992	211, 412
34190	A-99285-93	470	34825-41	L-3-973	237, 428	35042-90	74-0994	211, 412
34191-79D	45-0202	233, 135, 266	34826-41	L-3-975	237, 428	35042-91	74-0996	211, 213, 412
34193-79D	45-0203	233, 235, 266	34831-39	A-34831-39	133, 237	35042-91	A-35042-91	201, 211, 213, 412
34195-79D	45-0204	233, 235, 266	34844-57B	A-34844-57B	68	35042-79	A-35042-79	201, 211, 412
34291-52C	A-34291-52B	266, 273	34897-53	A-34897-53	247	35042-85	A-35042-85	201, 211, 412
34292-72A	A-34292-72A	266, 273	34898-79	A-34898-79	110, 265	35042-90	A-35042-90	201, 211, 412
34293-72A	A-34293-72A	266, 273	34901-79B	L-3-890	428	35043-41	W-14-176	237
34294-84	A-34294-84	266, 273	34901-85	L-3-892	380, 428	35043-41	A-35043-41	201, 237, 412
34295-84	A-34295-84	266, 273	34901-07A	L-3-894	380, 428	35044-56	A-35044-56	215, 412
34296-84	A-34296-84	266, 273	34901-94	L-3-893	245, 380, 428	35044-56	W-14-180	215
34297-84	A-34297-84	266, 273	34901-79A	54-3480	446	35044-56	74-0845	215, 412
34430-36	A-34430-36	110, 267	34901-94A	54-3483	245, 380, 446	35046-67	A-35046-67	201, 215
34435-52	A-34435-52	110, 269	34902-79	L-3-895	428	35046-36	A-35046-36	131, 208
34447-52	J-1-32	269, 276	34903-79	L-3-896	428	35046-71	74-0850	215, 412
34447-74	J-1-28	269, 276	34904-79	L-3-898	223	35046-71A	W-14-182A	215
34459-26	A-34459-26	237	34904-86	L-3-901	225, 229, 231	35046-71A	A-35046-71A	201, 215
34461-72	A-34461-72	271, 273	34906-79A	L-3-885	428	35047-53	A-35047-53	131, 215
34462-79A	A-34466-82	223, 225	34906-79A	L-3-877	428	35047-71A	A-35047-71A	131, 215
34476-72	A-34476-72	271, 273	34906-85	L-3-878	245, 380, 428	35050-40	A-35050-40	161, 208
34477-53	A-34477-53	269, 273	34906-79A	54-3490	446	35050-52	A-35050-52	161, 215
34478-53	A-34478-53	269, 273	34917-90	L-3-1023	428	35051-89	A-35051-89	107, 211, 213, 221
34478-75	A-34478-75	269, 273	34920-86	A-34920-86	229, 231, 251, 253	35060-00	A-35060-00	51
34481-91	A-34481-91	156, 274	34920-71	A-34920-71	249	35063-89	A-35063-89	221
34482-53	A-34482-53	156, 269, 273	34949-64	K-2-762	68	35064-79	A-35064-79	211, 213
34483-90	A-34483-90	156, 274	34952-52	L-3-860	10, 13, 68, 265,	35065-65B	W-14-440	206
34483-02	A-34483-02	156, 274, 275	34952-52A	L-3-861	10, 13, 68, 265, 428	35065-65	74-0755	206, 407
34483-06	A-34483-06	156, 275	34955-67	L-3-862	68, 265, 428	35067-77A	W-14-442	206
34485-52	A-34485-52	273	34955-75	L-3-864	70, 72, 265, 428	35067-77	74-0758	206, 407
34486-90	A-34486-90	274	34955-89	L-3-865	74, 428	35070-82A	A-35070-82A	206
34491-02A	A-34491-02A	156, 274, <b>NEW</b>	34955-04	54-7100	428	35070-77	A-35070-77	206
34491-91	A-34491-91	156, 274	34955-75X	54-3495	446	35070-80	A-35070-80	206
34498-52	A-34498-52	110, 269	34955-89A	54-3497	446	35070-84	A-35070-84	206
34500-52A	A-34500-52A	156, 269, 273	34977-00A	A-34977-00A	159, 235	35076-79	A-35076-79	223, 225, 229, 231
34552-52	L-3-965	269, 428	34979-00	A-34979-00	232, 234, <b>NEW</b>	35078-79	A-35078-79	131, 223, 225, 229
34555-74	J-1-30	269, 276, 376	34981-02	A-34981-02	266, 275, <b>NEW</b>	35079-82A	A-35079-82A	206
34555-52	J-1-29	269, 276, 376	34982-02	A-34982-02	266, 275, <b>NEW</b>	35079-80	A-35079-80	206
34564-74A	O-6-043	276	34987-06	A-34987-06	156	35087-99A	A-35087-99A	164, 231
34565-52	L-3-966	269, 428	35020-89	A-35020-89	219	35094-31	A-35094-65	110, 206
34606-54A	O-6-042	273, 276	35021-89	A-35021-89	74, 164, 229	35100-36	A-35100-36	208
34606-75	O-6-044	276	35022-89A	A-35022-89A	219	35100-79	A-35100-79	208
34609-52	K-2-785	276	35025-79B	74-0934	211, 213, 406	35102-33	A-35102-33	237
34611-65	K-2-786	233, 235	35026-79C	74-0936	211, 406	35105-52	A-35105-52	215
34621-90	O-6-090	276	35027-79B	74-0940	211, 460	35105-83	A-35105-83	215
			35028-79B	74-0950	211, 406			
			35029-79	74-0954	211, 406			
			35029-85A	74-0957	211, 406			

# \*\*EASTERN MOTORCYCLE PARTS\*\*

## \*\*CROSS REFERENCE\*\*

OEM NUMBER	EASTERN NUMBER	PAGE NUMBER	OEM NUMBER	EASTERN NUMBER	PAGE NUMBER	OEM NUMBER	EASTERN NUMBER	PAGE NUMBER
35107-06	44-0512	107, 221, <b>NEW</b>	35329-73	A-35329-73	218	35613-58	74-0875	218, 412
35111-36	A-35111-36	208	35336-74	A-35336-74	271, 273	35613-84	A-35613-84	201, 218, 412
35111-80	A-35111-80	208	35337-36	A-35337-36	164, 208, 216	35613-58	A-35613-58	201, 218, 412
35112-52	A-35112-52	164, 215	35337-56	A-35337-56	164	35613-91	A-35613-91	201, 218, 412
35112-84	A-35112-84	163, 215	35343-73	A-35343-73	216	35613-52	A-35613-52	65, 201
35113-52	A-35113-52	164, 215	35344-73	A-35344-73	216	35614-76	A-35614-76	201, 203
35114-02	A-35114-02	41, 42, 75, 164	35347-41	A-35347-41	238	35614-80	A-35614-80	201, 203
35115-99	A-35115-99	41, 164	35347-41	A-35348-41	238	35622-79A	74-0932	211, 213, 406
35118-03	A-35118-03	75, 164	35349-52	A-35349-52	216	35625-79B	74-0945	211, 406
35125-37	A-35125-37	206	35349-41	A-35349-41	238	35626-79B	74-0947	211, 406
35129-36	A-35129-36	163, 206	35350-52	A-35350-52	216	35628-79	A-35628-79	211
35131-36	A-35131-36	206	35350-41	A-35350-41	238	35629-79	A-35629-79	211, 213
35133-04	A-35133-04	221	35351-52	A-35351-52	216	35630-36	A-35630-36	203
35150-52	A-35150-52	10, 13, 215	35351-41	A-35351-41	238	35631-73	A-35631-73	218
35151-74	A-35151-74	70, 72, 74, 133,	35352-52	A-35352-52	216	35631-54	A-35631-54	218
35151-52A	A-35151-52A	10, 65, 68, 133,215	35352-41	A-35352-41	238	35632-79	74-0975	211, 213, 412
35159-39	A-35159-39	207	35353-52	A-35353-52	216	35632-79	A-35632-79	201, 211, 213, 412
35169-52	L-3-868	10, 13, 215, 428	35353-41	A-35353-41	238	35633-89A	74-0555	411
35171-37	A-35171-37	207	35354-52	A-35354-52	216	35640-89	A-35640-89	201, 221, 412
35175-38	A-35175-38	207	35354-41	A-35354-41	238	35640-89	74-0565	221, 412
35195-26	A-35195-26	159	35355-72	A-35355-72	216	35641-89	74-0560	221, 412
35197-52	W-14-802-19	277	35356-72	A-35356-72	216	35641-89	A-35641-89	201, 221, 412
35198-52	W-14-802-20	277	35356-86	A-35356-86	216	35652-79A	L-3-899	223, 225, 229, 428
35203-36	W-14-801-22	207, 277	35357-82	A-35357-82	216	35653-98	47-0654	231, 428
35205-52A	W-14-802-21	278	35358-82	A-35358-82	216	35665-36A	W-14-226	203
35205-79	W-14-804-21	278	35359-82	A-35359-82	216	35665-36	74-0775	203, 405
35206-79	W-14-804-22	278	35360-82	A-35360-82	216	35695-58	W-14-202	218
35208-84	W-14-805-21	278	35361-56	A-35361-56	216	35695-58	74-0890	218, 410
35209-85	W-14-805-22	278	35363-52	A-35363-52	216	35699-76	74-0730	203, 407
35211-36	A-35211-36	131, 207, 223, 225	35364-56	A-35364-56	216	35699-76	W-14-236	203
35211-91A	A-35211-91	131, 221, 329	35365-36	A-35365-36	209	35700-69	W-14-235	203
35212-41	W-14-801-23	278	35380-84	A-35380-84	216	35700-36	74-0728	203, 407
35212-80	W-14-803-24	278	35381-84	A-35381-84	216	35709-54B	W-14-204	218
35213-41	W-14-801-24	278	35382-84	A-35382-84	216	35709-54B	74-0880	218, 410
35214-41	W-14-801-25	278	35383-84	A-35383-84	216	35709-41	W-14-172	238
35215-41	W-14-801-26	278	35384-84	A-35384-84	216	35717-74	W-14-174	203, <b>NEW</b>
35216-36	A-35216-36	207	35384-41	A-35384-41	238	35750-58A	W-14-197	218
35216-79	A-35216-79	215	35385-84	A-35385-84	216	35750-58	74-0885	218, 410
35216-26	A-35216-26	161	35385-41	A-35385-41	238	35751-36	W-14-229	203
35230-36	A-35230-36	133, 207	35386-41	A-35386-41	238	35751-36	74-0765	203, 407
35231-36	L-3-967	207, 428	35387-41	A-35387-41	238	35751-79	W-14-239	203
35240-07	42-0500	164	35388-41	A-35388-41	238	35760-73	W-14-211	219
35249-06	A-35249-06	234, <b>NEW</b>	35389-41	A-35389-41	238	35760-73	74-0856	219, 410
35277-52A	W-14-201	215	35390-41	A-35390-41	238	35760-84A	W-14-212	219
35277-52A	74-0860	215, 410	35391-41	A-35391-41	238	35765-36	W-14-230	203
35282-59	W-14-232	207, 208	35404-74	A-35404-74	273	35771-89A	74-0520	411
35294-41	W-14-247	237	35412-74R	42-0125	10	35772-89A	74-0525	411
35296-56	W-14-205	215	35413-74R	42-0126	10	35773-89A	74-0535	411
35296-56	74-0865	215, 410	35414-74R	42-0127	10	35775-89A	74-0540	411
35305-56A	W-14-198	216	35415-74R	42-0128	10	35787-52	A-35787-52	110, 219
35305-56A	74-0870	216, 410	35416-74R	42-0129	10	35787-72	A-35787-72	110, 219
35306-59	W-14-228	207, 208	35417-74R	42-0130	10	35789-36	A-35789-36	110, 203
35306-59	74-0762	207, 208, 407	35418-74R	42-0131	10	35791-36	A-35791-36	110, 203
35306-36	74-0760	407	35440-38	W-14-225	209	35809-58	A-35809-58	219
35316-41	A-35316-41	110, 237	35440-38	74-0768	209, 405	35810-36	A-35810-36	164, 203
35320-41	A-35320-41	110, 238	35441-41	A-35441-41	238	35811-36	A-35811-36	203
35322-38	A-35322-38	110, 208	35445-41	A-35445-41	238	35812-36	A-35812-36	203
35326-73	A-35326-73	216	35607-73	L-3-742	428	35813-84B	A-35613-KIT	201, 218, 412
35326-33	A-35326-33	110, 238	35612-37	A-35614-65	201, 203	35818-72	A-35818-72	219
35327-73	A-35327-73	218	35612-37	74-0970	201, 203, 412			
35328-73	A-35328-73	218						

# \*\*EASTERN MOTORCYCLE PARTS\*\*

## \*\*CROSS REFERENCE\*\*

OEM NUMBER	EASTERN NUMBER	PAGE NUMBER	OEM NUMBER	EASTERN NUMBER	PAGE NUMBER	OEM NUMBER	EASTERN NUMBER	PAGE NUMBER
35819-72	A-35819-72	219	36048-76A	A-36048-76A	204	37285-65	J-1-146	241, 261
35820-52	A-35820-52	219	36715-84	A-36715-84	156, 251, 253	37285-70	J-1-147	241, 261
35821-72	A-35821-72	218	36715-94	A-36715-94	159, 253	37285-75A	J-1-148	241, 261
35821-52	A-35821-52	219	36730-84	A-36730-84	251	37285-84	A-37285-84	261
35824-52	A-35824-52	219	36731-91	A-36731-91	253	37287-41	A-37287-41	238, 239
35825-52	A-35825-52	219	36787-84	A-36787-84	251, 256	37310-39	A-37310-39	107, 257
35828-52	A-35828-52	219	36788-84	A-36788-84	251, 256	37312-75	A-37312-75	107, 211, 213, 241
35829-52	A-35829-52	219	36788-84	A-36788-84B	251, 256	37313-80	A-37313-80	211, 213, 241, 244
35830-72	A-35830-72	219	36793-84	A-36793-84	251	37339-53	A-37339-53	133, 247
35836-55	A-35836-55	219	36794-84	A-36794-84	251	37354-41	A-37354-41	162, 239, <b>NEW</b>
35838-55	A-35838-55	219	36795-84	A-36795-84	164, 251	37357-41	A-37357-41	241, 257
35839-55	A-35839-55	219	36797-84	A-36797-84	164, 251	37357-84	A-37357-84	242, 257
35840-52	A-35840-52	219	36798-84	A-36798-84	164, 251	37358-41	A-37358-41	239, 257
35845-84	A-35845-84	219	36799-84	A-36799-84	107, 251	37361-41	A-37361-41	131, 239, 241, 257
35846-84	A-35846-84	219	36799-91	A-36799-91	107, 253	37436-36	A-37436-36	207, 209
35847-84	A-35847-84	219	36801-79	L-3-897	223, 225, 428	37448-71	74-0910	216, 410
35848-84	A-35848-84	219	36801-87A	L-3-900	225, 229, 231, 428	37448-67	W-14-452	216
35850-84	A-35850-84	124	36821-68	47-0707	428	37448-71	W-14-454	216
35851-84	A-35851-84	124	36880-36	J-1-80	156	37448-79	W-14-456	216
35852-84	A-35852-84	124	36906-36	A-36906-36	256, 259	37448-84A	W-14-458	216
35853-96	A-35853-96	124	36917-36	J-1-133	259	37448-79	74-0912	216, 410
35860-86	A-35860-86	219	36918-52	J-1-132	259	37449-56	W-14-450	216
35860-92	A-35860-92	219	36954-62	K-2-787	339	37450-41	W-14-464	238, 239
35861-86	A-35861-86	219	36956-65A	K-2-790	339	37458-52	A-37458-52	110, 216
35861-92	A-35861-92	219	37000168	V-13-253	107, 244 <b>NEW</b>	37460-41	A-37460-41	131, 239
35862-86	A-35862-86	219	37051-36	J-1-131	259	37462-41	A-37462-41	161, 239
35862-92	A-35862-92	219	37053-68	J-1-130	259	37465-41	A-37465-41	133, 238
35863-86	A-35863-86	219	37054-79	J-1-129	259	37467-41	A-37467-41	107, 238, 239
35863-92	A-35863-92	219	37069-90	A-37069-90	211, 213, 244, 261	37474-41	A-37474-41	238, 239, <b>NEW</b>
35864-86	A-35864-86	219	37070-39B	A-37070-39B	241, 256	37474-41	A-37474-41B	238, 239, <b>NEW</b>
35864-92	A-35864-92	219	37074-38A	V-13-185	241, 257	37477-41	A-37477-41	238, 239, <b>NEW</b>
35865-86	A-35865-86	219	37081-44	A-37081-44	239	37482-41	A-37482-41	238, 239
35865-92	A-35865-92	219	37083-80A	A-37083-80A	223 225, <b>NEW</b>	37495-91	A-37495-91	131, 221, 253
35866-92	A-35866-92	219	37084-79	A-37084-79	223, 225	37496-41	A-37496-41	131, 241
35867-92	A-35867-92	219	37088-79	A-37088-79	211, 261	37496-84	A-37496-84	131, 242
35868-92	A-35868-92	219	37088-84	A-37088-84	211, 261	37496-90	A-37496-90	131, 243, 244
35869-92	A-35869-92	219	37088-85	A-37088-85	211, 261	37499-71	A-37499-71	249, 257
35870-92	A-35870-92	219	37088-87	A-37088-87	211, 261	37503-41	A-37503-41	161, 241
35871-92	A-35871-92	219	37088-90	A-37088-90	211, 213, 244, 261	37523-15A	A-37523-15	159, 241
35875-36	A-35875-SET	203	37089-79	A-37089-79	211, 261	37523-85	A-37523-85	159, 211, 242
35876-36	A-35876-36	203	37089-84	A-37089-84	211, 261	37526-56A	A-37526-56A	131, 247
35877-36	A-35877-36	203	37090-98	A-37090-98	243, 244, 261	37527-67	A-37527-67	131, 247, 249
35878-36	A-35878-36	203	37090-79	A-37090-79	211	37531-56B	A-37531-56B	133, 216
35879-36	A-35879-36	203	37090-84	A-37090-84A	190, 213, 243, 261	37533-52A	A-37533-52A	161, 247, 249
35882-36	A-35882-36	203	37092-06	A-37092-06	244, 261	37534-89R	A-37534-89R	10, 257
35883-36	A-35883-36	203	37094-82	J-1-175	223, 225	37534-89R	44-0514	10, 257
35884-36	A-35884-36	203	37101-84	A-37101-84	72, 74, 133, 225	37535-52	A-37535-52	247, 257
35891-66	A-35891-66	273	37107-06	A-37107-06	133	37549-41	A-37549-41	241, 257
35915-36	A-35915-36	204	37201-54	A-37201-54	247, 257	37550-41C	A-37550-41C	241, 254
35917-36	A-35917-36	204	37202-71A	A-37202-71A	249, 257	37550-41A	A-37550-41A	241, 254, 257
35920-36	A-35920-36	204	37203-71A	A-37203-71A	249, 257	37550-41TB	A-37550-41TB	241, 254
35960-54	A-35960-54	107, 219	37210-47	A-37210-47	247, 257	37550-84A	A-37550-84A	242, 254
35960-52	A-35960-52	64, 107	37222-52	A-37222-52	157, 247, 257, 273	37550-90A	A-37550-90A	243, 254
35961-52	A-35961-52	107, 204, 216, 219	37228-75	A-37228-75	241, 261	37550-98	A-37550-98	244, 254
36025-36	L-3-968	207, 428	37276-53	A-37276-53	247, 257	37550-90A	45-0205	243
36027-36	A-36027-36	207	37279-56	A-37279-80	247, 257	37556-57B	A-37556-57B	247, 257
36035-26	A-36035-26	110	37279-56	A-37279-56	247, 257	37567-41A	A-37567-41A	241, 254, 257
36045-76	A-36045-76	204	37279-67	A-37279-67	247, 257	37568-67	A-37568-67	247, 257
36046-36	A-36046-36	204	37280-67	A-37280-80	247, 257	37574-44	A-37574-44	241, 254
36048-36	A-36048-36	204	37281-47	A-37281-47	247, 257	37576-41	A-37576-41	241, 254, 257
			37282-53	A-37282-53	247, 257	37577-41	A-37577-41	239
			37285-38	J-1-145	241, 261	37581-52	A-37581-52	131, 247, 257
						37581-47	A-37581-47	131, 239, 241, 254

# \*\*EASTERN MOTORCYCLE PARTS\*\*

## \*\*CROSS REFERENCE\*\*

OEM NUMBER	EASTERN NUMBER	PAGE NUMBER	OEM NUMBER	EASTERN NUMBER	PAGE NUMBER	OEM NUMBER	EASTERN NUMBER	PAGE NUMBER
37582-52	A-37582-52	131, 247, 257	37975-81	A-37975-81	241, 258	40240-89	A-40240-89	329
37583-41	A-37583-41	241, 257	37975-84	A-37975-84	242, 258	40251-92	A-40251-92	221, 329, 404
37584-67	A-37584-67	247, 257	37975-90	A-37977-90	243, 253, 258	40254-02	A-40254-02	75
37584-41	A-37584-41	239, 257	37977-40	41-0105	239, 258	40280-70	W-14-432-22	278
37584-64	A-37584-64	247, 257	37985-71	E-424	249, 258	40282-70	W-14-432-23	278
37584-54	A-37584-54	247, 257	37985-52A	E-423	247, 258	40295-70	W-14-432-24	278
37585-41	A-37585-41	241, 257	37987-71	A-37987-71	249, 258	40297-06	A-40297-06	124, 329
37586-41	A-37586-41	257	37992-71A	A-37992-71A	249, 258	40302-55A	A-40302-55A	157, 329
37647-33	A-37647-33	9, 237, <b>NEW</b>	37992-52	A-37992-52	247, 258	40320-06	A-40320-06	278
37702-70A	A-37702-70A	241	38005-74	A-38005-74	249, 258	40333-06	A-40333-06	124
37703-41	A-37703-41	241	38010-41	A-38010-41	241, 254, 258	40375-70	A-40375-70	124, 329, <b>NEW</b>
37721-54	A-37721-54	247, 257	38013-52	A-38013-52	247, 258	40379-04	42-0142	220, 329
37722-71	A-37722-71	107, 249	38025-41	A-38025-41	239, 241, 258	40387-70	A-40387-70	124, 329
37722-52	A-37722-52	107, 247	38076-52	A-38076-52	157, 247	40392-70	A-40392-70	124, 329
37731-52	A-37731-52	247, 257	38077-41	A-38075-41	157, 241	40392-91	A-40392-91	124
37732-52	A-37732-52	247, 257	38077-68	A-38077-68	157, 241	40503-63	A-40503-63	157
37733-52	A-37733-52	247, 257	38079-72	A-38079-72	157, 249	40520-63	A-40520-63	70, 72, 74, 110,273
37734-52	A-37734-52	247, 257	38080-71	A-38080-71	157, 249	40521-75	A-40521-75	157
37735-52	A-37735-52	247, 257	38101-52	A-38101-52	247, 258	40574-06	A-40574-06	382, <b>NEW</b>
37740-57	A-37740-57	133, 247	38130-54	A-38130-54	247, 258	40903-87	A-40903-87	164
37741-82	A-37741-82	133, 207	38130-71	A-38130-71	249, 258	40906-82A	A-40906-82A	324
37753-76	A-37753-76	257, 265	38135-50	A-38135-50	247, 258	40910-84B	A-40910-84B	324
37754-74	A-37754-74	257, 265	38495-52	Y-21-900	376	40918-82	A-40918-82	164
37755-73	A-37755-73	257, 265	38498-52	A-38498-52	157	40918-87	A-40918-87	164
37760-52	A-37760-52	247, 257	38502-52	A-38502-52	258	40920-79	A-40920-79	157
37762-52	L-3-866	10, 247, 428	38505-52	A-38505-52	107	40920-82	A-40920-82	157
37870-91	A-37870-91	221, 253, 257	38599-83	E-1020	357	40920-87	A-40920-87	157
37871-84	A-37875-86A	242	38608-73	Y-21-302	362, 387	40922-79	A-40922-79	345
37871-98	A-37871-98	244	38609-72	Y-21-304	362	40923-79	M-4-642	345
37871-90	A-37871-90	243	38618-68A	E-1025	357	40930-04	A-40930-04	324
37871-41	A-37871-41	241	38618-52	E-1010	357	40930-05	A-40930-05	324
37872-90	A-37872-90	243, 253	38618-68	E-1012	357	40936-06	A-40936-06	324
37876-52	A-37876-52	247, 257	38619-57	E-1014	357	40940-06	A-40940-06	324
37879-71	A-37879-71	249, 257	38619-71	E-1017	357	40954-81	A-40954-81	327
37892-02	A-37892-02	253, 258	38621-86	E-1030	357	40954-83	A-40954-83	327
37901-84A	A-37901-84A	242	38634-76	E-1072	357	40956-82	A-40956-82	341
37903-90	A-37903-90	243, 244	38634-75A	E-1070	357	41004-82	A-41004-82	341
37903-84	A-37903-84	242	38871-K/M	A-94800-94	462	41033-82	A-41033-82	341
37904-84	A-37904-84	164, 242	39458-K/M	A-99501-96	470	41084-02A	A-41084-02A	322
37904-90	A-37904-90	164, 243, 244, 253	39954-99A	A-39954-99A	50, <b>NEW</b>	41109-88	45-0190	322
37905-84	A-37905-84	164, 242	39964-99A	A-39964-99A	50, <b>NEW</b>	41110-79A	A-41110-79A	322
37905-90	A-37905-90	164, 243, 244, 253	39965-99	A-39965-99	50, <b>NEW</b>	41112-79	M-4-655	329
37905-00	A-37905-00	164, 244	39966-80	A-39966-80	329	41114-90	A-41114-90	322, <b>NEW</b>
37906-84	A-37906-84	107, 242	39976-65B	O-6-019	329	41116-97	A-41116-97	322
37906-90	A-37906-90	107, 243, 244	39978-58	O-6-021	329	41191-74	A-41191-74	339
37906-11	A-37906-11	107, 244	39979-58A	O-6-021A	329	41195-52	A-41195-52	331
37907-84	A-37907-84	164, 242	39985-52	M-4-644	329	41195-63	A-41195-63	331
37908-90	A-37908-90	164, 243, 253	39996-65	A-39996-65	161, 329	41196-55	A-41196-55	331
37909-90	A-37909-90	164, 243, 244, 253	40007-80	17-0809	348	41196-83	A-41196-83	331
37910-90	A-37911-90	243, 253, 258	40019-77	A-40019-80A	157, 329	41196-73	A-41196-73	331
37912-91	A-37912-91	243, 253	40019-86A	A-40019-86A	157, 329	41198-73	A-41198-73C	339
37912-98	A-37912-98	244	40205-95	42-0140	220, 329	41201-55	A-41201-55	331
37913-90	A-37913-90	243, 253, 258	40210-30	W-14-428-23	278	41202-79	A-41202-79	331
37913-98	41-0100	244, 258	40210-55	W-14-429-23	278	41203-79	A-41203-79	331
37918-91	A-37918-91	253, <b>NEW</b>	40211-30	W-14-428-24	278	41205-52	A-41205-52	331
37930-68A	E-421	241, 258	40211-55	W-14-429-24	278	41207-79	42-0103	331
37930-41	E-422	241, 258	40212-30	W-14-428-25	278	41210-55	A-41210-55	133, 331
37930-84	A-37931-84	242, 258	40212-55	W-14-429-25	278	41349-07	A-41349-07	332
37931-41	A-37931-41	239, 258	40235-29	W-14-426-27	278	41401-58	J-1-90B	339, 352
37950-41	A-37950-41	241, 258	40236-29	W-14-426-28	278	41401-37	J-1-90	339, 350
37975-41	A-37975-41	241, 258	40237-29	W-14-426-29	278	41401-52	J-1-465	339, 353
			40238-29	W-14-426-30	278			
			40239-29	W-14-426-31	278			



# \*\*EASTERN MOTORCYCLE PARTS\*\*

## \*\*CROSS REFERENCE\*\*

OEM NUMBER	EASTERN NUMBER	PAGE NUMBER	OEM NUMBER	EASTERN NUMBER	PAGE NUMBER	OEM NUMBER	EASTERN NUMBER	PAGE NUMBER
41420-30	J-1-91	327, 339, 350	41740-63	A-41740-63	345, 352	42382-82A	A-42382-82A	346
41421-35	A-41421-35	327, 339	41743-58	A-41743-58	345, 352	42382-87A	A-42382-87A	346
41425-37	J-1-118	339, 350, 352	41744-58	A-41744-58	345, 352	42402-73A	J-1-51	340
41470-82	A-41470-82	327	41745-58	A-41745-58	345, 352	42410-52	K-2-425	340, 353
41470-58	A-41470-58	327, 352	41748-58	A-41748-58	345, 352	42411-70	J-1-52	340
41470-30	A-41470-30	327, 350	41748-63	A-41748-63	345, 352	42425-71	A-42425-79	157
41470-62	A-41470-62	327, 352	41748-08	A-41748-08	332, <b>NEW</b>	42426-58	A-42426-58	157, 340, 353
41470-67	A-41470-67	327, 352	41749-58	A-41749-58	345, 352	42427-58	J-1-94	157
41470-70	A-41470-70	327	41750-63	A-41750-63	345, 350	42427-52	A-42427-52	157, 353
41470-73A	A-41470-73	327	41761-78	A-41761-78B	345	42455-80	A-42455-80	346
41470-78	A-41470-73C	327	41761-78	A-41761-78SL	345, <b>NEW</b>	42479-90	A-42479-90	157
41474-35	A-41474-35	327	41762-58A	A-41762-58	346	42480-59	J-1-48	340
41492-90T	A-41492-90	327	41764-70	A-41764-70	346	42480-73	J-1-50	340
41493-90T	A-41493-90	327	41764-58	A-41764-58	346	42480-36	J-1-88	340, 350
41548-84	M-4-658	329	41769-58	A-41769-58	157, 346	42484-81	A-42484-81	341
41551-52	J-1-68E	322, 353	41801-58A	A-41801-58A	344, 352	42521-80	A-42521-80	157
41551-41	A-41551-41	322	41801-63	A-41801-63	344, 352	42532-82	K-2-792	340
41552-36	J-1-68	322	41805-38	A-41805-38	344, 350	42550-31	J-1-73	340, 350
41552-67	J-1-68D	322	41808-58	A-41808-58	344, 352	42593-04	A-42593-04	345, <b>NEW</b>
41552-58A	J-1-68B	322	41808-63	A-41808-63	344, 352	42810-04B	17-0837	346
41552-73	J-1-68A	322	41814-76	A-41814-76	331, 339	42934-08	42-0110	154
41563-77	J-1-68J	322	41835-69B	J-1-93	157, 353, 356	43283-86	A-43283-86	326
41570-77	M-4-646	329	41835-30	A-41835-30	157, 350	43290-82	A-43290-82	331
41576-36	M-4-645	329	41835-58	A-41835-58	344, 352	43291-82	A-43291-82	331
41584-86A	45-0194	322	41835-57R	A-41835-57R	10, 157	43292-82	A-43292-82	331
41591-90	A-41591-90	324	41836-63	A-41836-63	157, 352	43293-82	A-43293-82	331
41591-81	A-41591-81	324	41836-58	A-41836-58	157, 352	43294-82	A-43294-82	331
41592-79	A-41592-79	324	41836-84	J-1-92	157, 362	43302-77	A-43302-77	157
41593-38	A-41593-38	324	41837-58	A-41837-58	157, 352	43346-83A	45-0195	322
41594-73	A-41594-73	324	41837-63	A-41837-63	157, 352	43359-84	42-0107	331
41595-67	A-41595-67	324	41841-31	A-41841-31	344, 350, 352, 353	43360-97	40-0235	325
41595-58	A-41595-58	324	41848-38	A-41848-38	344, 350	43395-80	O-0-663	344
41595-36	A-41595-36	324	41848-64	A-41848-64	344	43395-80	51-0111	343
41595-86	A-41595-86	324	41858-08	A-41858-08	332	43469-77	A-43469-77	332
41595-73	A-41595-73	324	41870-38	J-1-75	339, 350	43488-77	A-43488-77	325
41595-00A	A-41595-00A	324	41900-08	A-41900-08	332	43517-00	A-43517-00	332
41596-30	J-1-67	324, 350, 352	41925-52A	A-41925-52	339, 353	43530-35A	J-1-115	340, 350, 352, 355
41596-63	A-41596-63	324, 352	41929-36	J-1-78	339, 350	43530-35D	J-1-115C	340, 350, 352, 355
41596-58	A-41596-58	324, 352	42040-06	42-0144	339, 340, <b>NEW</b>	43542-67	A-43542-67	331
41596-30	J-1-60	324, 350, 352	42252-52	A-42252-52	340, 353	43548-77	A-43548-74	325
41598-35	A-41598-35	324	42253-67	A-42253-67	340, 353	43549-67	A-43549-67	332
41598-52	A-41598-52	324, 353	42257-36	J-1-77	340, 350	43550-35	A-43550-001	331, <b>NEW</b>
41600-67	A-41600-67	323, 352	42264-52	A-42264-52	340, 353	43550-35	A-43550-35	331
41600-63	A-41600-63	323, 352	42269-70	J-1-84A	340	43552-39	A-43552-39	331
41600-58	A-41600-58	323, 352	42273-30	J-1-82	340, 350	43554-35	42-0108	164, 331
41600-36	A-41600-36	323, 350	42298-08	51-0135	343	43556-35	A-43556-35	331
41600-55	A-41600-55	325, 353	42301-58A	A-42301-58A	341	43558-39	A-43558-39	331
41603-32	J-1-72	322	42302-58	A-42302-58	341	43559-73	A-43559-73	331
41606-77	A-41606-77	325	42303-70A	A-42303-70A	341	43560-35	A-43560-35	331
41606-80	A-41606-80	325	42304-70A	A-42304-70A	341	43560-35A	A-43560-35A	331
41607-83	A-41607-83	325	42304-79	A-42304-79	341	43563-35	A-43563-35	331
41667-75	A-41667-75	157, 353	42308-78	A-42308-78	340, 341	43564-35	A-43564-35	331
41671-37	J-1-74	339, 344, 350	42309-70	A-42309-70	340, 341	43566-35	M-4-633	331
41685-37	A-41685-37	339, 350	42320-82	A-42320-82	341	43567-79	A-43567-79	340
41691-31	A-41691-31	339, 350, 355	42326-82	A-42326-82	346	43570-35	L-3-980	331, 428
41718-41	A-41718-41	323	42333-30	J-1-83	340, 350	43571-35	L-3-981	331, 428
41731-82	A-41731-82	362	42374-77B	A-42374-77B	346	43574-55	A-43574-55	331, <b>NEW</b>
41737-63T	Y-21-809	376	42374-82B	A-42374-82A	346	43576-35	L-3-982	331, 428
41740-58	A-41740-58	345, 352	42374-86	A-42374-86	346	43577-67	A-43577-67	107, 331
						43578-35	A-43578-35	39, 331
						43601-78A	A-43601-78A	332
						43602-78A	A-43602-78A	332

# \*\*EASTERN MOTORCYCLE PARTS\*\*

## \*\*CROSS REFERENCE\*\*

OEM NUMBER	EASTERN NUMBER	PAGE NUMBER	OEM NUMBER	EASTERN NUMBER	PAGE NUMBER	OEM NUMBER	EASTERN NUMBER	PAGE NUMBER
43603-78A	A-43603-78A	332	44029-97	A-44029-97	325	45057-72	Y-21-315	347, 362, 376
43604-78	A-43604-78	332	44029-88	A-44029-88	325	45057-82	Y-21-317	347, 362, 376
43605-78	A-43605-78	332	44032-77	O-6-023	344	45059-72	A-45059-72	347, 362
43606-78	A-43606-78	332	44032-77	51-0119	343	45061-72A	A-45061-72A	158, 347, 362
43608-82	A-43608-82	332	44043-80	A-44043-80	157	45063-72	A-45063-72	347
43608-00	A-43608-00	332	44045-87	17-0835	348	45063-82A	A-45063-82	347
43612-92	A-43612-92	332	44054-83	A-44054-83	348	45071-72	A-45071-72	158, 347, 362
43613-92	A-43613-92	332	44059-83	A-44059-83	136	45072-96	A-45072-96	347
43613-00	40-0210	332	44063-83	O-6-068	344	45072-87A	A-45072-87A	347
43617-95	A-43617-95	325	44063-83	51-0117	343	45112-84B	A-45112-84	342
43620-78	40-0215	332	44124-72A	A-44124-72	348	45113-84A	A-45113-84	342
43621-78	40-0225	332	44127-72A	A-44127-72A	348	45121-77	A-45121-77+6	342
43622-78	40-0200	332	44133-72	A-44133-72	348	45122-84A	A-45122-84	342
43623-78	A-43623-78	332	44146-77	A-44146-77	348	45124-84A	A-45124-84A	342
43624-78	A-43624-78	332	44151-77	17-0814	348	45130-83	A-45130-83	342
43624-97	A-43624-97	325	44152-77	17-0823	348	45150-79	A-45150-79	342
43625-78	A-43625-78	332	44162-77	A-44162-77	348	45154-84	A-45154-84	342
43630-79	A-43630-79	333	44192-77	A-44192-77	348	45154-84	A-45154-CHR	342
43631-79	A-43631-79	333	44193-77	A-44193-77	348	45159-50	Y-21-425	340, 356, 362
43632-79	A-43632-79	333	44208-82	17-0831	348	45162-41	A-45162-41	340, 354, 355
43633-74	A-43633-74	333	44209-87C	O-6-072	344	45172-28	A-45172-28	340, 354, 355
43634-74	A-43634-74	333	44209-82A	O-6-065	344	45200-60	Y-21-428	340, 356
43634-92	40-0220	332, 333	44209-82A	51-0123	343	45203-52	Y-21-431	340
43635-74	A-43635-74	333	44209-87C	51-0125	343	45362-90	K-2-844	158, 372
43635-92	A-43635-92	333	44277-74	17-0819	348	45374-87	41-0110	158, 370, 372
43637-89	A-43637-89	333	44281-74	O-6-024	344	45375-87	K-2-842	158, 372
43638-89	A-43638-89	333	44281-74	51-0127	343	45377-87	A-45377-87	370
43650-82	A-43650-82	331	44310-77	A-44310-77	340, 341	45378-87	A-45378-87	133, 370
43654-86A	A-43654-86A	325	44311-80	A-44311-80	340, 341	45382-83	A-45382-83	158, 370
43657-89	A-43657-89	325	44331-73	A-44331-73	348	45385-83	K-2-843	158, 372
43658-89	A-43658-89	333	44337-08	a-44337-08	343, 344, 348 <b>NEW</b>	45387-83	A-45387-83	133, 370
43668-82	40-0230	333	44401-49B	A-44401-49B	344, 353, 356	45400-75	A-45400-75	133, 370
43674-95	A-43674-95	325	44432-54A	A-44432-54A	344, 356	45403-75	A-45403-75	370
43683-97	A-43683-97	325	44437-77	A-44437-77	341	45406-75	A-45406-75	370
43740-64	A-43740-64	333	44438-86A	A-44438-86	341	45408-84	K-2-840	158, 372
43745-73	A-43745-73	333	44448-48	A-44448-48	340, 356	45408-75	K-2-834	158, 372
43871-73	A-43871-73	322	44475-35	J-1-75A	340, 350, 355	45443-86	A-45443-86	136, 370
43871-30	45-0193	322	44486-28	A-44486-28	157, 354	45583-83	A-45583-83	362
43875-73	45-0196	322	44553-06A	42-0146	339, 340, <b>NEW</b>	45611-86	A-45611-86	164
43882-36	A-43882-36	323, 355	45006-96	A-45006-96	346	45733-48	L-3-988	370
43882-67	A-43882-67	323, 356	45006-87A	A-45006-87A	346	45751-71A	Y-21-875	376
43882-48	A-43882-48	323, 356	45012-72	A-45012-72	346, 362	45752-52	A-45752-52	370
43883-77	A-43883-77	322	45013-82A	Y-21-299	360	45776-49	K-2-820	370
43883-77	45-0197	322	45013-85B	Y-21-298	360	45780-52	A-45780-52	136, 370
43883-84	A-43883-84	322	45013-96	Y-21-295	360	45790-80	A-45790-80	370
43886-30	40-0155	131, 323, 355, 356	45016-72	Y-21-436	362	45803-97	A-45803-97	369, <b>NEW</b>
43895-87B	43895-87B	322, <b>NEW</b>	45016-82	Y-21-445	362	45818-52	A-45818-52	110, 370
43905-08	A-43905-08	333	45017-82A	Y-21-447	362	45821-75	A-45821-75	348
43937-82	A-43937-82	322	45019-85A	Y-21-297	360	45822-75	A-45822-75	348
43937-79	45-0199	322	45019-96	Y-21-293	360	45823-49	A-45823-49	110, 370
43945-79	17-0805	348	45024-65A	Y-21-435	362	45824-49	A-45824-49	110, 370
43957-86E	O-6-070	344	45031-72	A-45031-72	346, 362	45837-77	K-2-836	158, 372
43957-80	O-6-020	344	45032-72	A-45032-72	347, 362	45842-77	A-45842-77	164, 370
43957-80	51-0113	343	45036-68	Y-21-433	362	45845-77	A-45845-77	136, 370
43957-86E	51-0115	343	45036-82	A-45036-82	358, 362	45847-84	A-45847-84	164, 370
44000-78D	Y-21-275	360	45036-88	A-45036-88	358, 362	45849-49	M-4-836	371
44005-78	O-6-022	344	45055-72	A-45055-72	347, 362	45849-49	17-0260	371
44021-83	A-44021-83	164						
44022-83	17-0807	348						
44025-79	Y-21-277	360						

# \*\*EASTERN MOTORCYCLE PARTS\*\*

## \*\*CROSS REFERENCE\*\*

OEM NUMBER	EASTERN NUMBER	PAGE NUMBER	OEM NUMBER	EASTERN NUMBER	PAGE NUMBER	OEM NUMBER	EASTERN NUMBER	PAGE NUMBER
45850-48	L-3-985	370, 428	47519-58	A-47519-58	133, 326	54704-52	K-2-925	335, 376
45852-48A	A-45852-48	133, 370	47519-72	A-47519-72	133, 326	56158-73	A-56158-73	362
45853-83	K-2-838	158, 372	47519-83A	A-47519-83A	133, 326	56205-62A	K-2-780	362
45854-48	A-45854-48	370	47519-52	A-47519-52	326	56216-53	A-56216-53	158, 356
45855-77	A-45855-77	158, 370	47521-52	A-47521-52	107, 326	56308-86	E-1062	358
45856-48	A-45856-48	164, 370	47521-74	A-47521-74	107, 326	56309-86	E-1064	358
45865-84	A-45865-84	370	47525-52	A-47525-52	161, 326	56313-76	E-1054	358
45875-84	A-45875-84	133, 370	47550-74	A-47550-74	326	56323-81A	E-1060	358
45905-87	A-45905-87	164, 370	47554-73	M-4-648	329	56324-81A	E-1058	358
45906-08	A-43906-08	333	47583-36	A-47583-36	110	56327-81B	E-1056	358
45907-80	K-2-832	158, 372	47698-36	J-1-25	387	56328-81B	E-1057	358
45907-83	K-2-833	158, 372	47720-36	J-1-140	387	56336-83	E-1066	358
45908-80	A-45908-80	164, 370	47755-31	A-47755-31	110, 350	56337-83	E-1068	358
45927-73	A-45927-73	133, 370	47757-52	A-47757-52	110	56389-74	E-1055	358
45931-86	K-2-847	158, 372	48300-49	A-48300-49	107	56394-74	A-56394-74	158
45933-86	A-45933-86	158, 370	48300-60	A-48300-60	107	59140-34	A-59140-34	366
45972-48	A-45972-48	110, 370	48302-85	A-48302-85	74, 107	59142-34	A-59142-34	366
45975-71	A-45975-71	133, 370	48311-60	E-201	370	59166-80	A-59166-80	366
45982-73	A-45982-73	136, 370	48365-48A	A-48365-48A	370	59800-36	K-2-523	366, 387
45983-73	K-2-808	370	49570-38	A-49570-38	364	60302-63T	K-2-510	365
45983-73	K-2-440	376	50005-85A	A-50005-85A	158, 364	60348-65B	A-60348-65B	39, 48, 74, 382
45984-73	K-2-826	158, 372	50011-30A	J-1-99	158, 364	60375-79	K-2-521	365
45984-87	A-45984-87	136, 370	50012-30	J-1-79	158	60508-70	K-2-996	382
45986-73	A-45986-73	370, <b>NEW</b>	50013-74A	Y-21-497	364	60516-65A	A-60516-65A	96
45987-77	K-2-830	158, 372	50014-74	J-1-95	364	60518-65	L-3-875	429
45992-73	A-45992-73	370	50036-36	J-1-96	364	60538-81A	L-3-869	429
45997-73	A-45997-73	370	50040-80	Y-21-495	364	60539-86	L-3-873	380, 429
46018-77	A-46018-77	348	50041-80	J-1-98	364	60539-89	L-3-876	380, 429
46019-77	A-46019-77	348	50057-90	A-50057-90	158, 364	60539-94	L-3-889	380, 429
46048-84	K-2-846	158, 372	50057-90	A-50057-90C	158, 364	60540-65A	L-3-872	429
46048-80	K-2-845	158, 372	50061-36E	Y-21-490	364	60540-36	L-3-856	429
46051-49A	K-2-822	158, 372	50069-82A	Y-21-492	364	60543-89	K-2-990	382
46052-80	K-2-831	158, 372	50094-36	J-1-97B	364	60543-94	K-2-994	382
46057-68	K-2-823	158, 372	50094-36	J-1-97	364	60547-77	K-2-992	382
46057-71	K-2-824	158, 372	50603-40	K-2-950	363	60555-36	K-2-757	378, 382
46111-48	L-3-986	370, 429	50603-66	K-2-952	363	60559-80	L-3-914	96, 429
46125-48	L-3-987	370, 429	50603-74A	K-2-953	363	60565-36	L-3-857	429
46172-48	A-46172-48	164	50614-40	K-2-961	363	60567-65	L-3-874	429
46514-01	A-46514-01	133, 370	50614-66	K-2-963	363	60567-36	L-3-858	68, 429
46515-01	A-46515-01	370, <b>NEW</b>	50621-79	K-2-954	363	60567-65B	54-7180	429
46550-36	Y-21-845	393	50939-52	O-6-055	363	60572-78	R-9-1995	378
46615-06	A-46615-06	370, <b>NEW</b>	50940-52	K-2-783	363	60572-36	K-2-758	376, 378
46751-48	A-46751-48	158	52573-77T	R-9-1613	378, 382	60579-74T	R-9-1994	378
47082-81	A-47082-81	107, 326	53158-98	A-53158-98	110, 364, <b>NEW</b>	60593-74	A-60593-74	110
47083-81A	A-47083-81A	110, 326	53176-08	A-53176-08	110, 364, <b>NEW</b>	60629-55	L-3-735	429
47094-58	A-47094-58	110	54500-58	K-2-928	335	60640-29	A-60640-29	9, 158
47159-79A	K-2-890	386	54515-56B	32-0333	336	60641-74	A-60641-74	133
47510-58	A-47510-58	322, 326	54515-58A	32-0336	336	60645-65	L-3-916	307, 429
47511-52	A-47511-52	322, 326	54515-67	32-0344	336	60654-55	A-60654-55	161
47512-52	A-47512-52	326	54515-73	32-0348	336	60678-85	A-60678-85	164, 245, 380
47512-74	A-47512-74	131, 326	54515-75	32-0352	336	61102-73	E-414	393
47513-58	A-47513-58	161, 326	54516-72	32-0358	336	61102-83A	E-412	393
47514-74	A-47514-74	326	54516-75	32-0364	336	61103-36	E-410	393
47514-52	A-47514-52	326	54517-65	32-0339	336	61103-73	E-415	393
47515-52	A-47515-52	326	54517-58	32-0368	336	61103-83	E-413	393
47515-74	A-47515-74	326	54517-67	32-0372	336			
47517-58	A-47517-58	326	54543-65	K-2-937	335, 336			
47517-52	A-47517-52	326	54544-65	K-2-940	335, 336			
47517-52	A-47517-74	326	54545-65	K-2-938	335, 336			
47518-52	A-47518-52	326	54704-65T	K-2-920	335, 376			
			54704-75T	K-2-922	335, 376			



# \*\*EASTERN MOTORCYCLE PARTS\*\*

## \*\*CROSS REFERENCE\*\*

OEM NUMBER	EASTERN NUMBER	PAGE NUMBER	OEM NUMBER	EASTERN NUMBER	PAGE NUMBER	OEM NUMBER	EASTERN NUMBER	PAGE NUMBER
61103-65	E-411	393	66351-82	Y-21-925	376	67871-85T	K-2-412	320
61104-37	E-417	241, 258	66369-70	R-9-1010	374	67884-90T	K-2-413	320
62125-55B	E-395	394, 464	66370-65	R-9-1012	374	67891-68	Y-21-475	320
62360-50	A-62360-50	133	66383-65	R-9-1982	374	68003-47	Y-21-605	318
62423-90	L-3-1029	429	66383-70	R-9-1984	374	68006-83T	Y-21-837	318
62432-93	L-3-1031	429	66425-68	Y-21-935	376	68008-73A	Y-21-608	318
62504-82A	Y-21-980	392	66470-70	R-9-1985	374	68010-64B	Y-21-606	318
62504-65B	Y-21-978	392	66470-67	R-9-1983	374	68012-88T	Y-21-838	318
62507-67A	Y-21-975	392	66476-73	R-9-1986	374	68034-77	O-6-028	318
62534-65	Y-21-920	392	66480-67	Y-21-915	374, 387	68090-69	O-6-029	318
62563-65A	K-2-799	392	67004-68A	Y-21-505	377	68090-47	Y-21-613	318
62575-36	K-2-749	387	67004-47	Y-21-501	377	68093-47	Y-21-614	318
62585-36	K-2-524	374, 387	67004-53	Y-21-502	377	68122-55	O-6-029A	318
62610-52A	A-62610-52A	392	67004-62	Y-21-503	377	68123-73	L-3-1027	318, 429
62625-65	K-2-530	392	67004-38	Y-21-500	377	68123-73	48-0199	318, 429
62625-70	K-2-532	392	67024-84A	Y-21-509	358	68450-34	Y-21-601	320
62635-79T	K-2-534	392	67026-62	Y-21-510	358	68450-34	Y-21-602	318, 320
62672-90	A-62672-90	136	67026-81	A-67026-81	358	68543-64B	A-68543-64B	308
62673-90	A-62673-90	136	67026-36A	Y-21-508	358	68543-64A	A-68543-64A	308
62780-63	O-6-004	390	67038-84	A-67038-84	358	68566-50	Y-21-620	318
62785-66A	O-6-017	84, 390	67048-83A	A-67048-83	358	68571-50	Y-21-632	318
62828-99	A-62828-99	158	67051-74	A-67051-74	358	68572-50	Y-21-630	318
63480-42	O-6-005	390	67051-73	A-67051-73	358	69013-77A	K-2-850	386
63480-42	O-6-002	390, <b>NEW</b>	67051-70	Y-21-517	358	69018-73A	K-2-855	386
63500-68	E-409	74, 394, 464	67052-78B	A-67052-78A	358	69129-72B	K-2-868	387
63501-68	E-407	25, 291, 394, 464	67053-83T	Y-21-940	377	69138-65	Y-21-805	376
63506-41	O-6-080	390	67054-83B	A-67054-83A	358	69140-76	Y-21-803	376
63511-58	O-6-084	390	67057-41	A-67057-41	358	69141-70	Y-21-800	376
63511-38	O-6-082	390	67060-79B	A-67060-79A	358	69543-80	Y-21-140	311
63529-57	L-3-942	133, 390	67072-79A	A-67072-79	358	69545-82A	Y-21-230	311
63529-50	A-63529-50	133, 390	67073-81	A-67073-81	377	69545-84	Y-21-232	311
63572-38	O-6-086	390	67078-85A	A-67078-85A	358	69551-85	Y-21-234	311
63609-72	A-63609-72	362, 370	67110-83T	Y-21-942	377	69551-89	Y-21-236	311
63610-70	A-63610-70	167, 169	67120-84B	A-67120-84B	377	69551-91	Y-21-240	311
63782-80	A-63810-80C	223, 225, 392	67124-80	A-67124-80	377	69555-89	Y-21-238	311
63796-77	A-63796-77	225, 392	67125-86A	A-67125-86A	377	69555-94	Y-21-242	311
63798-99	A-63798-99	41, 42, 392	67127-73	A-67127-73	377	70001-75	Y-21-196	311
63805-80	A-63805-80	223, 225, 392	67127-84A	A-67127-84A	377	70001-76	Y-21-198	311
63806-83B	A-63806-83B	223, 225, 392	67129-37	A-67129-37	377	70001-78	Y-21-202	311
63810-80A	A-63810-80B	223, 225, 392	67130-36	A-67130-36	377	70001-79	Y-21-204	311
63812-90	A-63812-90	392	67130-69	A-67130-69	377	70006-75	Y-21-172	311
63813-90	A-63813-90	392	67130-62	A-67130-62	377	70006-76	Y-21-174	311
63815-99	A-63815-99	88, 392	67132-85A	A-67132-85A	377	70006-79	Y-21-176	311
63831-67	A-63831-67	158, 392	67135-36	A-67135-36	377	70006-80	Y-21-178	311
63839-59	V-13-190	392	67141-36	L-3-969	207, 429	70006-81	Y-21-182	311
63840-48A	A-63840-48A	392	67142-52	L-3-970	10, 429	70006-82	Y-21-184	311
63840-53	A-63840-53	392	67180-73T	Y-21-955	377	70069-65B	A-70069-65B	374
63879-53	A-63879-53	136, 392	67181-73T	Y-21-946	377	70100-79A	A-70100-79A	374
63881-67	A-63881-80	392	67210-73	Y-21-469	377	70124-75	A-70124-75	308
65045-01	A-65045-01	164	67215-68	A-67215-68	377	70135-84	Y-21-186	311
65324-83A	M-4-843	429	67698-81A	O-6-032	320, <b>NEW</b>	70135-84	Y-21-187	311, <b>NEW</b>
65325-83A	A-65325-83A	164	67717-64	O-6-036	320	70135-86	Y-21-188	311, <b>NEW</b>
65781-82	M-4-841	429	67717-59	O-6-034	320	70135-86	Y-21-189	311, <b>NEW</b>
65834-68	M-4-846	429	67717-65A	O-6-035	320	70135-91	Y-21-205	311, <b>NEW</b>
65835-86	M-4-845	429	67752-77T	Y-21-830	320	70135-91	Y-21-206	311, <b>NEW</b>
66112-23	A-66112-23	374	67773-80A	K-2-871	320	70135-92	Y-21-207	311, <b>NEW</b>
66191-73T	R-9-1052	374	67783-78T	Y-21-831	320	70135-92	Y-21-208	311, <b>NEW</b>
66191-80T	R-9-1054	374	67784-78	Y-21-833	320	70151-70	Y-21-166	311
66340-78	R-9-1020	374	67785-78T	Y-21-834	318, 320	70151-73	Y-21-168	311
			67786-86T	Y-21-832	320	70153-70	Y-21-190	312
			67809-75	K-2-877	320	70153-71	Y-21-192	312
			67810-48A	K-2-878	320	70153-73	Y-21-194	312
						70214-80A	Y-21-141	312
						70216-87A	Y-21-142	312

# \*\*EASTERN MOTORCYCLE PARTS\*\*

## \*\*CROSS REFERENCE\*\*

OEM NUMBER	EASTERN NUMBER	PAGE NUMBER	OEM NUMBER	EASTERN NUMBER	PAGE NUMBER	OEM NUMBER	EASTERN NUMBER	PAGE NUMBER
70216-89	Y-21-143	312	71589-96C	30-0266	309, 367	74587-94	A-74587-94	303
70216-91A	Y-21-144	312	71590-92	30-0238	309, 367	74588-94	A-74588-94	303
70216-93A	Y-21-145	312	71590-96	30-0270	309, 367	74589-73	A-74589-73	303
70216-96	Y-21-147	312	71591-82A	30-0242	309, 320, 367	74590-93	A-74590-93	303
70216-98	Y-21-148	312	71591-82C	30-0244	309, 367	74594-71	A-74594-71	303
70235-67A	A-70235-67A	374	71591-96	30-0274	309, 367	74599-77A	A-74599-77A	303
70287-81	37-0600	310	71591-96C	30-0278	309, 367	74600-94	A-74600-94	303
70288-81	37-0605	310	71597-96	30-0282	309, 367	74600-97A	A-74600-97A	303
70293-87	37-0610	310	71597-96C	30-0286	309, 367	74765-36	A-74765-36	393
70294-87	37-0615	310	71598-96	30-0292	309, 367	74765-47	A-74765-47	393
70320-73A	Y-21-132	312	71598-96C	30-0296	309, 367	75060-84T	R-9-1308	376
70320-56	Y-21-150	312	71800-26A	A-71800-26A	309, 367	75061-84T	R-9-1309	376
70320-70	Y-21-130	312	71840-29	A-71840-29	309, 320, 367	83162-51	A-83162-51	48, 133
70320-59	Y-21-152	312	72001-69B	A-72001-69B	309	83566-51	A-83566-51	340, 342
70320-65	Y-21-154	312	72002-51A	A-72002-51A	309	85210-42A	A-85210-42A	335
70320-67	Y-21-158	312	72003-34T	A-72003-34T	309	85210-42A	44-0510	335
70320-68	Y-21-164	312	72004-70	A-72004-70	309	91775-51	R-9-1575	316
70320-78	Y-21-133	312	72004-75	A-72004-75	309	92065-74	A-92065-74	358
70320-80	Y-21-134	312	72005-73A	A-72005-73A	309	92065-70	A-92065-70	358
70320-58	Y-21-225	312	72017-39	A-72017-39	158	92074-73T	Y-21-945	377
70320-64	Y-21-227	312	72023-51	A-72023-51	309	94455-89	A-94455-89	468
70321-65	Y-21-127	312	72034-71	37-0620	310	94555-55A	A-94555-55	468
70321-48	Y-21-120	312	72035-71	37-0625	310	94630-67	A-94630-67	468
70321-58	Y-21-125	312	72037-71	37-0635	310	94635-41A	A-94635-41A	468
70326-71	Y-21-135	312	72038-71	37-0636	310	94700-52B	A-94700-52B	468
70326-73A	Y-21-137	321	72039-71	37-0638	310	94812-37A	A-94812-37A	462
70326-75	Y-21-146	312	72041-71	37-0645	310	94812-77	A-94812-80A	462
70343-78	Y-21-138	312	72043-71	37-0650	310	94884-83T	M-4-140	303, 376
70353-78	Y-21-139	312	72044-71	37-0655	310	95960-78	A-95960-78	468
70527-45	37-0905	315	72276-74	37-0660	310	96015-52	A-96015-52	468
70528-45	37-0907	315	72278-74	37-0665	310	96015-56A	A-96015-56A	468
70529-45	37-0909	315	74504-78	A-74504-75A	304	96295-65	A-96295-65	468
70530-45	37-0911	315	74504-78	A-74504-78	304	96630-19	A-96630-19	468
70532-45	37-0915	315	74505-95	A-74505-95	304	96700-38	A-96700-38	468
71313-96	A-71313-96	308	74507-85T	R-9-1523	304	96710-40	A-96710-40	466
71425-77	A-71425-77	308	74508-85T	R-9-1521	304	96712-40	A-96712-40	466
71455-67	A-71455-67B	307	74510-70A	A-74510-70A	304	96713-40	A-96714-40	466
71455-67	A-71455-67C	307	74510-75A	A-74510-75	304	96715-40	A-96715-40	466
71463-73A	A-71463-73	307	74510-81	A-74510-81	304	96716-40	A-96716-40	466
71466-65	M-4-625	307	74510-64T	A-74510-64	304	96717-40	A-96717-40	466
71470-86T	A-71469-65C	307	74511-65	A-74511-65C	304	96718-40	A-96718-40	466
71484-72A	A-71484-72A	308	74511-65	A-74511-65	304	96718-58	A-96718-58	466
71500-36A	A-71500-36A	308	74511-65 T	A-74511-65T	304	96721-87A	A-96718-88	466
71501-73A	A-71501-73	308	74512-79A	A-74512-79A	304	96727-56A	A-96727-56	466
71507-71	A-71507-71	308	74512-00	A-74512-00	304	96728-56A	A-96728-56	466
71507-65	A-71507-65	308	74513-82	A-74516-86	304	96728-77	A-96728-77	466
71510-72A	K-2-404	376	74515-47	M-4-4526B	376	96740-36	A-96740-80	461
71534-72	A-71534-72	308	74518-99A	A-74518-99A	304	96741-17	A-96741-17	461
71535-72	A-71535-72	308	74519-88A	A-74519-88	304	96742-17	A-96742-17	461
71539-73B	Y-21-306	362	74523-92A	A-74523-92A	304	96746-36	A-96746-36	461
71546-75B	A-71546-75B	308, 320, 367	74523-91	A-74523-91	304	96780-32A	A-96780-32A	468
71547-75B	A-71547-75A	308, 367	74523-84	A-74523-84	304	96815-46	A-96815-46	458
71570-82C	30-0258	309, 367	74523-84A	A-74523-84A	304	96830-51A	A-96830-51A	468
71570-82A	30-0256	309, 320, 367	74523-94A	A-74523-94A	304	97087-65A	A-97087-65A	394, 464, 468
71571-82	30-0230	309, 320, 367	74529-79T	A-74529-79T	387	97194-57	A-97194-57	469
71571-82C	30-0232	309, 320, 367	74533-75B	J-1-20	387	97225-55	A-97225-55	469
71573-82C	30-0252	309, 320, 367	74540-87T	M-4-4526	376	97272-60	A-97272-60	469
71573-82A	30-0250	309, 320, 367	74540-01	A-74540-01	304	97273-60	A-97273-60	469
71589-96	30-0264	309, 367	74586-70	A-74586-70	303			

# **\*\*EASTERN MOTORCYCLE PARTS\*\***

## **\*\*DISCLAIMER\*\***

The following words and designations are registered trademarks of Harley Davidson®, Milwaukee Wisconsin and are for Reference Only; Big Twin, Sportster, Dyna, Eagle Iron, Evolution, Heritage, Softail, Screamin' Eagle, Wide Glide, Fat Boy, Duo Glide, Twin Cam.

The following designations are for Reference Only:  
FL, FLH, FLT, FLST, FLHT, FLTC, FX, FXB, FXE, FXS, FXSB, FXWG  
XL, XLH, XLCH, XLG, XLR, XLT, XR-1000, XLD-883, XLH-1000, XLH-1200

Eastern Motorcycle Parts is not a representative of any motorcycle manufacturer and the parts we sell or manufacture are not recommended by any motorcycle manufacturer. All replacement part numbers are for reference only and do not imply the part to be a genuine Harley Davidson® replacement

When Buying Engine and Transmission  
Replacement Parts, insist on the product that has been  
proven #1 in the after market.

### **EASTERN MOTORCYCLE PARTS**

We've spent years improving our product line, with high  
quality steel and new ideas. So you the dealer can sell  
your customer with confidence.

Remember you're not just selling replacement parts to  
you're customers, you're putting your reputation on the line  
with every sale you make.

That's why it pays to sell "Genuine"  
"Eastern Motorcycle Replacement Parts"  
to your customers.

**"Quality Pays it doesn't Cost"**



**1928-1953**

**Vintage Indian Chief, Sport Scout,  
101 Scout & Four Cylinder**

**803-284-3304**

**803-284-3305      Fax 803-284-3274**

**5120 Hilda Road    Blackville, SC 29817**

[www.easternmotorcycleparts.com](http://www.easternmotorcycleparts.com)