



# 2019 • APRIL UPDATE

S&S Cycle, Inc.

Dealer Catalog #61 • \$29.99

# LOOKING FOR REPLACEMENT PARTS?

## 2017–2018 M8 Engines

Air Cleaner Kit, Stealth .....	32
Cam Kit —Chain .....	46
Cam Kit —Gear .....	46
Cam Support Plate .....	45
Exhaust, Grand National® 2:2 Exhaust System ..	40
Exhaust, Grand National® 4" Mufflers .....	37
Exhaust, Grand National® EC Slip-On Muffler....	43
Exhaust, SuperStreet 2:1 Exhaust System.....	33
Exhaust, Mk45 4.5" Muffler.....	34
Exhaust, Grand National® Muffler for 2018–'19 Fat Bob® Models.....	35
Exhaust, Grand National® Muffler for 2018–'19 Softail® Models (Except Fat Bob® Models) ...	36
Exhaust, Shadow Pipe.....	39
Exhaust, Sidewinder 2:1 Exhaust System.....	38
Exhaust, Slash Cut 4" Mufflers.....	37
Exhaust, Slash Cut Muffler for 2018–'19 Softail® Models (Except Fat Bob® Models) ..	36
Exhaust, Power Tune® Dual Replacement Header System for El Dorado 50-State Exhaust System.....	41
Exhaust, Mk45 Replacement Muffler System for El Dorado 50-State Exhaust System.....	42
Exhaust, Slash-Cut EC Slip-On Muffler.....	43
Oil Pump.....	44

## 2007–2016 big twins

Air Cleaner Kits, Stealth .....	129
Air Cleaner, Teardrop for S&S® Single Bore EFI ..	132
Air Cleaner, Teardrop Air Cleaner for Stock Fuel Systems.....	134
Cam Plate, TC3 .....	119
Crankcase, Super Stock T2.....	114
Cylinder Heads, B2 .....	122
Cylinder Heads, B3 .....	121
Cylinder Heads, Super Stock® .....	124
Exhaust, Grand National® 2:2 Exhaust .....	141
Exhaust, Grand National® 4" .....	139
Exhaust, Grand National® Slip-Ons for Dyna® Models .....	137
Exhaust, Mk45 4.5" Muffler.....	138
Exhaust, Power Tune® Dual Header Replacements .....	142
Exhaust, Sidewinder® 2:1 Exhaust .....	140
Exhaust, Slash Cut 4" .....	139
Exhaust, Slash Cut Slip-Ons for Dyna® Models .....	136
Flywheel, 3-Piece .....	117
Flywheel, 5-Piece .....	116
Oil Pump .....	120
Oil Pump, TC3.....	118
Rocker Cover, Billet .....	128
Rocker Cover, Die-Cast .....	127
Single Bore Tuned Induction System .....	130
Throttle Body, Single Bore EFI.....	113
Throttle Body, Throttle Hog Cable-Operated....	112
Tuned Induction, Single Bore for Throttle by Wire.....	131
Valve Springs.....	126

## 1999–2006 big twins

Air Cleaner, Stealth .....	223
Air Cleaner for Stock Fuel Systems .....	226
Air Cleaner, Super E & G .....	228
Air Cleaner, Teardrop for S&S® Single Bore EFI.....	230
Cam Plate, TC3 .....	212
Carburetor, Super E & G .....	234
Clutch .....	237
Crankcase.....	208
Crankcase Breather Reed Valve .....	236
Cylinder Heads, B2 .....	216
Cylinder Heads, B3 .....	217
Cylinder Heads, Super Stock® .....	218

Flywheel, 3-Piece .....	210
Flywheel, 5 Piece .....	211
Exhaust, Grand National® 4" .....	239
Exhaust, Grand National® Slip-On Mufflers for Dyna® Models .....	241
Exhaust, Mk45 4.5" Muffler.....	238
Exhaust, Power Tune® Dual Header Replacements .....	244
Exhaust, Sidewinder® 2:1 Exhaust .....	242
Exhaust, Slash Cut 4" .....	239
Exhaust, Slash Cut Slip-On Mufflers for Dyna® Models .....	240
Oil Pump.....	214
Oil Pump, TC3 .....	213
Rocker Cover, Billet.....	222
Rocker Cover, Die-Cast.....	221
Throttle Body, Single Bore EFI.....	232
Transmission Side Cover .....	237
Tuned Induction System, Single Bore .....	224
Valve Springs .....	220

## HD® Sportster® Models

Air Cleaner, Stealth.....	295
Air Cleaners, Super E & G .....	302
Air Cleaner, Teardrop .....	296
Air Cleaner, Teardrop for Stock Fuel Systems.....	300
Carburetor, Super E & G.....	304
Crankcase.....	290
Cylinder Head, Super Stock® .....	292
Flywheel.....	289
Rocker Cover, Billet .....	294
Single Bore Tuned Induction System .....	298
Valve Springs.....	306

## HD® Street® & Street Rod™ Models

Air Cleaner Kit, Stealth for Street® Models.....	312
Air Cleaner Kit, Stealth for Street Rod™ Models.....	313
Grand National 4" Muffler.....	314

## 1984–1999 big twins

Air Cleaner , Carb Exempt for S&S Super E or G Carbs .....	402
Air Cleaner for Stock Fuel Systems .....	394
Air Cleaner Kit, Stealth .....	392
Air Cleaners, Super E & G.....	400
Air Cleaner, Teardrop for S&S® Single Bore EFI.....	398
Carburetor, Super E & G.....	404
Clutch .....	412
Crankcase, 2 Cam V-Series .....	374
Crankcase, Special Application .....	378
Crankcase, Super Stock® .....	376
Cylinder Heads, Performance.....	386
Cylinder Head, Super Stock® for 3½" To 4" Bore .....	388
Cylinder Heads, Super Stock® for S&S 4½" V-Series .....	387
Exhaust, Grand National 4" .....	408
Exhaust, Mk45 4½" Muffler.....	407
Exhaust, Power Tune® Dual Header .....	410
Exhaust, Slash Cut 4" .....	409
Flywheels .....	382
Gearcover Kit .....	372
Oil Pump, HVHP .....	385
Oil Pump, Standard .....	384
Rocker Cover, Billet .....	391
Rocker Cover, Die-Cast.....	390
Throttle Body, Single Bore EFI.....	406
Transmission Cases.....	411
Transmission Side Cover.....	412
Tuned Induction System, Single Bore .....	393
Valve Springs .....	373

## Vintage Models

Air Cleaner, Stealth .....	504
Air Cleaner, Super B.....	503
Air Cleaners, Super E & G.....	502
Air Cleaner, TÜV Approved.....	505
Carburetor, Early Style Gas & Fuel .....	501
Carburetor, L-Series GAL & GBL Gas.....	500
Carburetor L-Series MGL & MGAL Gas.....	498
Carburetor, Super B.....	495
Carburetor, Super E & G.....	496
Crankcase, Super Stock for Alternator Style.....	478
Crankcase Super Stock for Alternator/Generator Style .....	480
Cylinder Head for 1936–'47 Knuckleheads & KN-Series Engines.....	492
Cylinder Head for P-Series Engines, Panhead Cylinder Head & Valve Train Update Kit & Shovelhead Retro Conversion Kit.....	490
Cylinder Heads, Super Stock® .....	488
Flywheels .....	482
Gearcover Kit .....	487
Generator Style Gearcover.....	486
Oil Pump Kit .....	484
Rocker Cover .....	494
Transmission Case, 5-Speed.....	506

## Indian® & Victory® Models

Air Cleaner Kit for 2003–2007 Victory® Models.....	514
Air Cleaner Kit for 2008–Up Victory® Models.....	512
Air Cleaner Kit for Indian® Models .....	511

**MILWAUKEE-EIGHT® ENGINES**

Exciting new performance products for motorcycles with the new HD® Milwaukee Eight® engine.

**2007–2016 BIG TWIN**

Performance upgrades for 2007-'17 HD® big twins with Twin Cam 96™, 103™, 110™ engines. From the basics like slip-on mufflers and air cleaners to camshafts, fuel systems, and big bore kits, to complete big inch engines. Replacement parts and service items too!

**1999–2006 BIG TWIN**

Everything you need to upgrade and maintain 1999-'06 HD® big twins with Twin Cam 88® and Twin Cam 88B™ engines. Exhaust, intake, fuel systems, cams, big bore kits, and complete engines. Also many service and replacement components.

**SPORTSTER® & BUELL®**

HD® Sportster® motorcycles are becoming increasingly popular. S&S offers a lot of options for increasing displacement and performance. Carburetors, air cleaners, big bore kits, cam shafts, cylinder heads, and much more.

**STREET®**

Performance products for Harley-Davidson® Street® & Street Rod™ engines.

**1984–1999 BIG TWIN**

Performance products and service replacement parts for HD® Evolution® engines. The newest of these engines is 20 years old, and many are in need of an engine overhaul. Why not upgrade to a stroker or big bore kit while you have it apart? Why not replace it with a new engine? Just turn the page.

**1926-1984 VINTAGE**

Building an old school chopper, a retro vehicle or restoration? We have the engine components you need. Keep that old iron on the road!

**VICTORY®/INDIAN®**

Performance parts for Victory® and Indian® motorcycles.

**TOOLS & SHOP SUPPLIES**

Every job is easier with the right tools. Keep your bike running in top condition! You'll find special tools, shop supplies and fluids you need, whether you are a "do-it-yourselfer" or a professional servicing technician.

**APPAREL**

S&S apparel and other promotional items.

**COMPANY POLICY & WARRANTY**

Information on sales, ordering, shipments, S&S internet policy, and special orders. Warranty policies on all S&S parts and S&S assembled engines.

**APPENDIX & INDEX**

Useful information for our customers: identify S&S components, measuring manifolds, calculating cylinder head bolt lengths, and an easy to use index to find products in this catalog.



60 124" engines were produced for our 60<sup>th</sup> year

# A WORD ABOUT DYNO NUMBERS

With a motto like "Proven Performance®", which is a registered trademark of S&S® Cycle Inc., it is very important that we be able to back up our claims regarding performance. It is also vitally important to be able to evaluate new designs in our development process. One of the tools we depend on for both of these functions is the chassis dynamometer.

Something that needs to be understood about dynamometers is that the results from one dyno will not necessarily be identical to those from another dyno. So comparing results from different dynos is bound to create a certain amount of confusion. This is especially true with dynos from different manufacturers. However, results of tests run on the same machine can be compared with a high degree of confidence. We can determine, for example if a performance modification increased power or torque, but there is a problem if you expect absolute values.

There are several brands of dynamometers which are in common use in the performance industry. These dynos will yield very reliable values for comparison, especially when tests are performed on the same machine. However values obtained from these dynos may not always agree. Which value is correct? It depends on who you ask.

## NO ABSOLUTES

In our literature and catalogs, we publish dyno results so our customers easily can see how our products improve performance over stock. However, it must be remembered that these are comparative values, and should not be taken as absolutes. If a similar or even identical engine or motorcycle is tested on another dynamometer, the results will more than likely differ.



# SYMBOL KEY



**CONFIGURE TO ORDER:** CTO allows you to choose available options for a specific part or kit, and covers both "special order" parts and "made to order" kits. Some CTO kits have a base price with additional upcharges for the optional selections. In some cases, the entire price of a kit is determined by upcharges for the options selected. It is best to call an S&S customer service representative and configure the kit with exactly the options you want.



**VIDEO** If you see this icon, there is a video available.



These are our latest innovations to the market.

## EMISSIONS SYMBOLS



Part numbers marked with this logo are replacement parts for specific S&S certified emission engines and are legal for sale and use on these engines. The number(s) listed by each logo in the catalog indicates the model(s) of S&S certified engines that use the part. Use the table below to reference your engine model to its number in the logo.

Engine Model Number	
V96E	1
V100C, V113E, V113C	2
V124E, V124C	3
X117E, X117C	4



Example: This part is legal for use on V96E, V124C, and V124E engine models.



Part numbers marked with this logo are legal to be sold for and used as replacement parts on Harley-Davidson® motorcycles in all 50 states. These parts may only be installed on a motorcycle model listed in the part's description. Selling or installing these parts on a pollution controlled motorcycle not listed is in violation of California and/or Federal emissions laws and could result in fines and penalties.



S&S Cycle's products designed to meet California's emissions standards.



S&S Cycle products that are EC-approved have an e mark from the European Commission in accordance with the mandatory members of the EU Directive and are legal for sale and use in Europe.

**Note:** Vehicles 1977 model year and earlier are exempt from emissions regulations. Owners of such vehicles may install any parts desired without concern about violating exhaust emissions regulations. However, local noise ordinances still apply to these vehicles, so the owner of a 1977 or earlier vehicle can still receive a noise citation if the vehicle is too loud.

# MILWAUKEE-EIGHT®

## **Performance Kits**

124" Big Bore Kit.....	23
128" Big Bore Kit.....	23
Power Packs.....	25

## **Performance Parts**

Air Cleaners.....	20
Camshafts.....	27
Cylinders.....	23
Exhaust.....	9
Gaskets.....	31
Oil.....	31
Oil Filters.....	31
Oil Pump.....	26
Pushrods.....	30
Tappets.....	29
Valve Springs.....	31

## **Replacement Parts..... 32**





# SUPERSTREET 2:1 EXHAUST SYSTEM

## FITMENT

- 2018–19 HD® Street Bob®, Low Rider®, Softail Slim®, Fat Bob®, Deluxe, Sport Glide® & Heritage® models®

## FEATURES AND BENEFITS

- Classic 2:1 styling with world famous S&S performance!
- Fits floorboard and forward controls and fits mid mounts with S&S brake pedal kit (560-0259)
- Saddlebag support compatible! Works with OEM and similar size saddlebags (like Heritage® or Sport Glide® models)
- Full heat shields on both front and rear headers
- Stainless steel stepped header construction
- S&S engineered High Performance catalyst brings legal performance to the street! (50 state version)
- 50 State legal for 2018–2019 Softail models! CARB EO# K-010-5
- Computer aided design and precision bending for class-leading ground clearance
- New multi-faceted machined endcap design
- Available in Chrome or Ceramic Black Finish
- Oxygen sensor ports allow use of wide band or stock O2 sensors.
- SAE J2825 sound level compliant
- Removable dB reducer included (Race only version)
- Made in the USA!

## NOTE:

Mid mounts require brake pedal kit (part # 560-0259 / msrp \$119.95)



### SUPERSTREET 2 INTO 1 EXHAUST SYSTEM — 50-STATE\*

Black with Black Endcap	<b>550-0789A</b>	\$929.95
Chrome with Black Endcap	<b>550-0791A</b>	\$929.95

### SUPERSTREET 2 INTO 1 EXHAUST SYSTEM — RACE ONLY†

Black with Black Endcap	<b>550-0788</b>	\$849.95
Chrome with Black Endcap	<b>550-0790</b>	\$849.95

\*Exempt from emissions tampering regulations under CARB EO# K-010-5 for all 2018-2019 Softail Models

†DISCLAIMER: FOR CLOSED COURSE COMPETITION USE ONLY. NOT INTENDED FOR STREET USE.

LEGAL IN CALIFORNIA ONLY FOR RACING VEHICLES WHICH MAY NEVER BE USED, OR REGISTERED OR LICENSED FOR USE, UPON A HIGHWAY.

⚠️ WARNING: Cancer and Reproductive Harm – www.P65Warnings.ca.gov



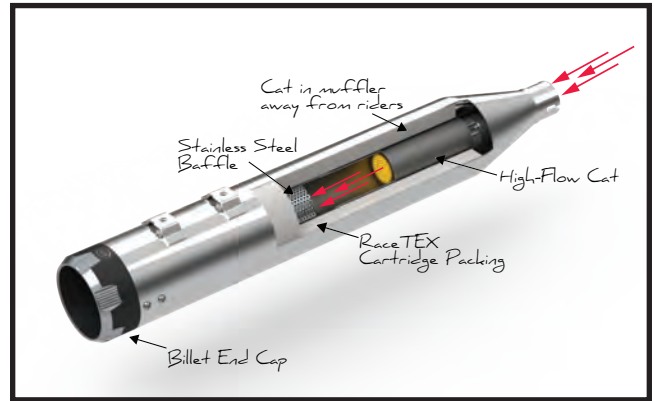
REPLACEMENT PARTS: SEE PAGE 33



# EL DORADO 50-STATE M8 HIGH PERFORMANCE EXHAUST SYSTEM

## FEATURES AND BENEFITS

- Improved power and torque
- Deep bass rumble throughout the RPM range
- Stainless steel header construction
- Includes adapters for wide band or wide band O2 sensors
- 50-state legal for 2017–2018 touring models CARB EO# K-010-1
- SAE J2825 Sound Level Compliant
- High Flow Cats to increase exhaust flow for optimum torque
- Catalysts located in mufflers moves heat away from rider
- Available in Show Chrome or Ceramic black Finish
- Highlight Machined Thruster or Tracer endcap
- Bold Styling of Mk45 Mufflers



## EL DORADO 50-STATE EXHAUST SYSTEM FOR 2017-'18 TOURING MODELS

Finish	Endcap	Part #	MSRP
Chrome	Highlight Machined Thruster	<b>550-0699A</b>	\$1,249.95
Black	Highlight Machined Thruster	<b>550-0700A</b>	\$1,374.95
Chrome	Highlight Machined Tracer	<b>550-0701A</b>	\$1,249.95
Black	Highlight Machined Tracer	<b>550-0702A</b>	\$1,374.95

Exempt from emissions tampering regulations under CARB EO# K-010-1 for all 2017-2018 FL Touring Models

**WARNING:** Cancer and Reproductive Harm – [www.P65Warnings.ca.gov](http://www.P65Warnings.ca.gov)



**Black w/Tracer**



**Black w/Thruster**



**Chrome w/Thruster**



**Chrome w/Tracer**

REPLACEMENT PARTS: SEE PAGE 41

# SIDEWINDER 2:1 EXHAUST SYSTEM

## FITMENT

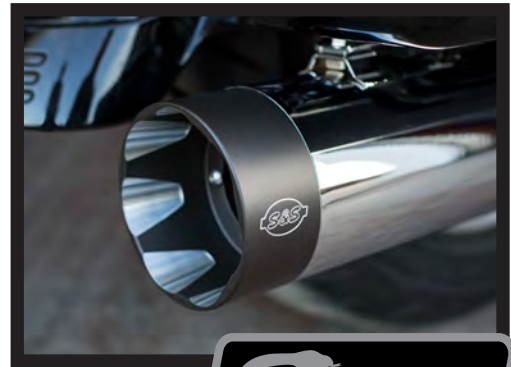
- 2017–'19 M8 FL Models

## FEATURES AND BENEFITS

- 2:1 styling for high-performance baggers
- High-flow cat
- Increased power and torque
- Available in show chrome or ceramic black finish
- Machined aluminum endcap
- Includes adapters that allow use of wide band or stock O2 sensors
- Stainless steel stepped header construction
- 50 State legal for 2017–2018 touring models! CARB EO# K-010-2
- Deep 2:1 performance exhaust note
- SAE J2825 Sound Level Compliant
- Removable dB reducer included (*Race only version*)
- All hardware included
- Made in USA!



Removable dB reducer



See next page for Left Side Shadow Pipe

### SIDEWINDER 2:1 EXHAUST SYSTEM FOR 2017–'18 M8 TOURING MODELS — 50-STATE\*\*

Finish	Part #	MSRP
Chrome	<b>550-0758A</b>	\$899.95
Black	<b>550-0759A</b>	\$929.95

### SIDEWINDER 2:1 EXHAUST SYSTEM FOR 2017–'19 M8 TOURING MODELS — RACE ONLY\*

Chrome	<b>550-0728</b>	\$849.95
Black	<b>550-0729</b>	\$879.95

\*DISCLAIMER: NOT LEGAL FOR SALE OR USE IN CALIFORNIA ON ANY POLLUTION CONTROLLED MOTOR VEHICLE. Not legal for sale or use on any EPA pollution controlled motor vehicle.

\*\*Exempt from emissions tampering regulations under CARB EO# K-010-2 for all 2017-2018 FL Touring Models

⚠️ WARNING: Cancer and Reproductive Harm – [www.P65Warnings.ca.gov](http://www.P65Warnings.ca.gov)



REPLACEMENT PARTS: SEE PAGE 38



# SHADOW PIPE

## FOR 1995-'19 TOURING MODELS WITH S&S SIDEWINDER® 2:1 EXHAUST

### FEATURES AND BENEFITS

- Available in show chrome and ceramic black finish
- Shadow muffler fills left side cutout in extended bags when running Sidewinder 2:1
- Matching endcap for left side is a mirror image of right side Sidewinder 2:1 Cap
- 4.5" design
- All hardware included



2009-'19 TOURING MODELS EQUIPPED WITH S&S® SIDEWINDER® 2:1 EXHAUST		MSRP
Chrome	<b>550-0829</b>	\$399.95
Black	<b>550-0831</b>	\$399.95

If you have...			...you'll need
BIKE	FINISH	SIDEWINDER PART #	SHADOW PIPE PART #
2017-2019 touring model	Chrome	<b>550-0728</b>	<b>550-0829</b>
		<b>550-0758A</b>	
	Black	<b>550-0729</b>	<b>550-0831</b>
		<b>550-0759A</b>	



REPLACEMENT PARTS: SEE PAGE 39

# GRAND NATIONAL® 2:2 EXHAUST SYSTEM FOR 2018-'19 FAT BOB® MODELS

### FITMENT

- 2018-'19 Harley-Davidson® Fat Bob® Models

### FEATURES AND BENEFITS

- 2:2 Free-flow design equals solid HP gains
- Fits floorboard and forward controls and fits mid mounts with S&S brake pedal kit (*part #560-0259 for \$119.95*)
- Hidden crossover provides performance benefits of 2:1
- Full heat shields on both front and rear headers
- Stainless steel header construction
- High Flow catalytic converter maintains the performance of a straight through system
- 50 State legal for 2018–2019 Fat Bob models! CARB EO# K-010-4
- Race inspired Grand National® endcap
- Available in chrome or ceramic black finish
- Oxygen sensor ports allow use of wide band or stock O2 sensors.
- SAE J2825 sound level compliant
- Removable dB reducer included (*Race only version*)
- Right side passenger peg relocation bracket (*part #550-0801 for \$69.95*)
- Made in USA!



Removable dB reducer



### GRAND NATIONAL® 2:2 EXHAUST SYSTEM FOR 2018-'19 M8 TOURING MODELS — 50-STATE COMPLIANT\*

Finish	Part #	MSRP
Chrome	<b>550-0781A</b>	\$999.95
Black	<b>550-0780A</b>	\$999.95

### GRAND NATIONAL 2:2 EXHAUST SYSTEM — RACE ONLY\*\*

Chrome	<b>550-0761</b>	\$969.95
Black	<b>550-0760</b>	\$969.95

Exempt from emissions tampering regulations under CARB EO# K-010-4 for 2018 to 2019 Fat Bob models

\*\*DISCLAIMER: NOT LEGAL FOR SALE OR USE IN CALIFORNIA ON ANY POLLUTION CONTROLLED MOTOR VEHICLE. Not legal for sale or use on any EPA pollution controlled motor vehicle.

⚠️ WARNING: Cancer and Reproductive Harm — [www.P65Warnings.ca.gov](http://www.P65Warnings.ca.gov)

# Grand National



REPLACEMENT PARTS: SEE PAGE 40

# GRAND NATIONAL® SLIP-ON MUFFLERS FOR 2018-'19 HD® FAT BOB® MODELS

## FITMENT

- 2018-'19 Harley-Davidson® Fat Bob® Models

## FEATURES AND BENEFITS

- Up to 12% more horsepower and 6% more torque (*when used with Stealth Air Cleaner Kit*)
- Race inspired design
- Ceramic black finish
- Deep performance rumble replaces stock whisper tone
- No mapping required
- SAE J2825 Sound Level Compliant
- 50-state legal
- Removable dB reducer
- Made in USA!



Removable dB reducer



## GRAND NATIONAL® SLIP-ON MUFFLERS FOR 2018-'19 HD® FAT BOB® MODELS

Description	Part #	MSRP
Grand National Slip-On Mufflers for 2018-'19 HD® Fat Bob®	<b>550-0734</b>	\$449.95

\*Qualified manufacturer declared U.S. 50-State legal emissions replacement part on all MY 2018 Fat Bob models.

⚠ WARNING: Cancer and Reproductive Harm – [www.P65Warnings.ca.gov](http://www.P65Warnings.ca.gov)

# Grand National



REPLACEMENT PARTS: SEE PAGE 35

# GRAND NATIONAL® SLIP-ON MUFFLERS

FOR 2018-'19 HD® SOFTAIL® MODELS (EXCEPT FAT BOB®, SPORT GLIDE®, & FXDR MODELS)

### FITMENT

- Fits 2018-'19 HD® Softail® Street Bob®, Low Rider®, Slim®, Fat Boy®, Breakout®, Heritage® & Classic® models

### FEATURES AND BENEFITS

- Race inspired Grand National endcap design
- California legal! CARB EO# K-010-6
- Show chrome or ceramic black finish
- All hardware and gaskets included
- Deep performance rumble replaces stock whisper tone
- SAE J2825 sound level compliant
- Removable dB reducer included (*Race only version*)
- Made in USA!



Removable dB reducer

### GRAND NATIONAL® MUFFLERS FOR 2018-'19 M8 HD® SOFTAIL® MODELS — 50-STATE COMPLIANT\*\*

Fitment	Muffler Body Finish	Part #	MSRP
M8 HD Softail models: Street Bob®, Low Rider®, Slim®, Fat Boy® & Breakout® models	Black	<b>550-0754A</b>	\$549.95
M8 HD Softail models: Street Bob®, Low Rider®, Slim®, Fat Boy® & Breakout® models	Chrome	<b>550-0755A</b>	\$549.95
M8 HD Heritage Softail Classic & Softail Deluxe models	Chrome	<b>550-0757A</b>	\$549.95

### GRAND NATIONAL MUFFLERS FOR 2018-'19 M8 HD® SOFTAIL® MODELS — RACE ONLY†

M8 HD Softail models: Street Bob®, Low Rider®, Slim®, Fat Boy® & Breakout® models	Black	<b>550-0737</b>	\$424.95
M8 HD Softail models: Street Bob®, Low Rider®, Slim®, Fat Boy® & Breakout® models	Chrome	<b>550-0738</b>	\$424.95
M8 HD Heritage Softail Classic & Softail Deluxe models	Chrome	<b>550-0740</b>	\$424.95

\*DISCLAIMER: NOT LEGAL FOR SALE OR USE IN CALIFORNIA ON ANY POLLUTION CONTROLLED MOTOR VEHICLE. Not legal for sale or use on any EPA pollution controlled motor vehicle.

\*\*Exempt from emissions tampering regulations under CARB EO# K-010-6 for all 2018-2019 Breakout, Fat Boy, Low Rider, Slim, Street Bob, Deluxe, and Heritage Classic Softail Models

⚠️ WARNING: Cancer and Reproductive Harm — [www.P65Warnings.ca.gov](http://www.P65Warnings.ca.gov)



REPLACEMENT PARTS: SEE PAGE 36

# SLASH CUT SLIP-ON MUFFLERS

## FOR 2018-'19 HD® SOFTAIL® MODELS (EXCEPT FAT BOB®, SPORT GLIDE®, & FXDR MODELS)

### FITMENT

- Fits 2018-'19 HD® Softail® Street Bob®, Low Rider®, Slim®, Fat Boy®, Breakout®, Heritage® & Classic® models

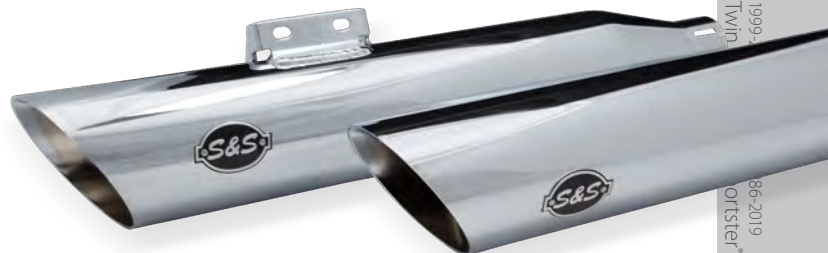
### FEATURES AND BENEFITS

- Classic Slash Cut styling
- California legal! CARB EO# K-010-6
- Show chrome or ceramic black finish
- All hardware and gaskets included
- Deep performance rumble replaces stock whisper tone
- SAE J2825 sound level compliant
- Removable dB reducer included (*Race only version*)
- Made in USA!



Removable dB reducer

**CARB**  
compliant  
CARB EO K-010-6



### SLASH CUT MUFFLERS FOR 2018-'19 HD® SOFTAIL® MODELS — 50-STATE COMPLIANT†

Fitment	Muffler Body Finish	Part #	MSRP
M8 HD Softail models, <i>except Heritage Softail® Classic &amp; Softail® Deluxe</i>	Black	<b>550-0752A</b>	\$499.95
M8 HD Softail models, <i>except Heritage Softail Classic &amp; Softail Deluxe</i>	Chrome	<b>550-0753A</b>	\$499.95
M8 HD Heritage Softail Classic & Softail Deluxe models	Chrome	<b>550-0756A</b>	\$499.95

### SLASH CUT MUFFLERS FOR 2018-'19 M8 SOFTAIL® MODELS — RACE ONLY†

M8 HD Softail models, <i>except Heritage Softail® Classic &amp; Softail® Deluxe</i>	Black	<b>550-0735</b>	\$349.95
M8 HD Softail models, <i>except Heritage Softail Classic &amp; Softail Deluxe</i>	Chrome	<b>550-0736</b>	\$349.95
M8 HD Heritage Softail Classic & Softail Deluxe models	Chrome	<b>550-0739</b>	\$349.95

†DISCLAIMER: NOT LEGAL FOR SALE OR USE IN CALIFORNIA ON ANY POLLUTION CONTROLLED MOTOR VEHICLE. Not legal for sale or use on any EPA pollution controlled motor vehicle.

††Exempt from emissions tampering regulations under CARB EO# K-010-6 for all 2018-2019 Breakout, Fat Boy, Low Rider, Slim, Street Bob, Deluxe, and Heritage Classic Softail Models

⚠WARNING: Cancer and Reproductive Harm — [www.P65Warnings.ca.gov](http://www.P65Warnings.ca.gov)



REPLACEMENT PARTS: SEE PAGE 36

Milwaukee-Eight®  
2007-2017  
Twin Cam  
96"/103"/110"  
1999-  
Twin  
1986-2019  
Forster® & Buell®  
2014-2019  
Street® &  
Street Rod®  
1984-1999  
Evolution®  
1926-1984  
Vintage Engines  
Indian® &  
Victory® Models  
Tools  
& Shop Supplies  
Apparel  
Warranty &  
Company Policy  
Appendix

# Mk45 TOURING MUFFLERS

## FITMENT

- 2017–'19 Harley-Davidson® touring models with Milwaukee-Eight® engine  
Does not fit Trike or Freewheeler models

## FEATURES AND BENEFITS

- Bold 4.5" design — with stainless steel baffle and RaceTEX cartridge packing
- Available in show quality or ceramic black finish
- Choose from S&S Thruster or Tracer end-cap designs in chrome or black
- SAE J2825 Sound Level Compliant
- 50-state legal
- Removable dB reducer
- Made in USA!



### MK45 4.5" SLIP-ON MUFFLERS

Muffler Body Finish	Endcap Finish & Style	Part #	MSRP
Chrome	Chrome Thruster	<b>550-0665</b>	\$699.95
	Highlight Machined Thruster	<b>550-0664</b>	\$699.95
	Chrome Tracer	<b>550-0669</b>	\$699.95
	Highlight Machined Tracer	<b>550-0668</b>	\$699.95
Black	Chrome Thruster	<b>550-0667</b>	\$739.95
	Highlight Machined Thruster	<b>550-0666</b>	\$739.95
	Chrome Tracer	<b>550-0671</b>	\$739.95
	Highlight Machined Tracer	<b>550-0670</b>	\$739.95

\*Qualified manufacturer declared U.S. 50-State legal emissions replacement part on all MY 2017-2019 FL Touring models

**WARNING:** Cancer and Reproductive Harm — [www.P65Warnings.ca.gov](http://www.P65Warnings.ca.gov)



**Removable dB reducer**



**550-0665**



**550-0664**



**550-0669**



**550-0668**



**550-0667**



**550-0666**



**550-0671**



**550-0670**

**REPLACEMENT PARTS: SEE PAGE 34**



# GRAND NATIONAL® 4" SLIP-ON MUFFLERS FOR 2017-'19 FLH TOURING MODELS

## FITMENT

- 2017-'19 FLH touring models

## FEATURES AND BENEFITS

- Show quality chrome or ceramic black finish
- Race inspired Grand National endcap
- High flowing baffle design
- Aggressive sound and excellent horsepower
- SAE J2825 Sound Level Compliant
- 50-state legal
- Removable dB reducer
- Made in USA!



# Grand National

## GRAND NATIONAL® 4" MUFFLERS FOR 2017-'19 TOURING M8 ENGINES EXCEPT FREEWHEELER® OR TRIKE MODELS

Finish	Part #	MSRP
Chrome	<b>550-0693</b>	\$499.95
Black	<b>550-0694</b>	\$539.95

\*Qualified manufacturer declared U.S. 50-State legal emissions replacement part on all MY 2017-2019 FL Touring models

 WARNING: Cancer and Reproductive Harm – [www.P65Warnings.ca.gov](http://www.P65Warnings.ca.gov)

REPLACEMENT PARTS: SEE PAGE 37

# SLASH CUT 4" SLIP-ON MUFFLERS

## FITMENT

- 2017–'19 touring models

## FEATURES AND BENEFITS

- Classic slash cut styling
- Available in show chrome or ceramic black finish
- Stripped down styling
- Aggressive sound
- Economical price
- SAE J2825 sound level compliant
- Removable dB reducer included (*Race only version*)
- Excellent choice for Trike models (*See chart*)
- Made in USA!



### SLASH CUT 4" TOURING MUFFLERS FOR 2017–2019 TOURING M8 ENGINES\*

Finish	Part #	MSRP
Chrome	<b>550-0695</b>	\$459.95
Black	<b>550-0696</b>	\$499.95

### SLASH CUT 4" TOURING MUFFLERS FOR 2017–2019 TRIKE MODELS (SEE PAGE 54 FOR MORE DETAILS)\*\*

Chrome	<b>550-0691</b>	\$459.95
Black	<b>550-0692</b>	\$499.95

\*Qualified manufacturer declared U.S. 50-State legal emissions replacement part on all MY 2017-2019 FL Touring models

\*\*DISCLAIMER: NOT LEGAL FOR SALE OR USE IN CALIFORNIA ON ANY POLLUTION CONTROLLED MOTOR VEHICLES. Not legal for sale or use on EPA pollution controlled motorcycles originally equipped with mufflers containing catalyst.

Qualified Manufacturer Declared Emissions Replacement Part on the FL Touring Models Listed Below.

California FL Touring Models:

Fuel Injected MY 1995-2003, 2007, and 2009-2016;


CVO MY 2000-2003, and 2009-2016

49 State FL touring Models:

Carbureted MY 1995-2005;

Fuel Injected MY 1995-2005, and 2007-2016;

CVO MY 2000-2005, and 2009-2016

 **WARNING:** Cancer and Reproductive Harm – [www.P65Warnings.ca.gov](http://www.P65Warnings.ca.gov)

**REPLACEMENT PARTS: SEE PAGE 37**



# EC SLIP-ON MUFFLERS



## FEATURES & BENEFITS

- EC approved with S&S performance and style
- Race-inspired Grand National® endcap design or the classic slash cut design complements any bike style
- Show chrome or ceramic black finish
- 82mm can with perforated stainless steel baffle and racetex cartridge packing
- Equipped with S&S engineered high-flow catalytic converter
- All hardware and gaskets included
- Made in USA



### GRAND NATIONAL® EC SLIP-ON MUFFLERS FOR 2018 M8 HD® SOFTAIL® MODELS

M8 Softail® Street Bob®, Low Rider®, Slim®, Fat Boy® & Breakout® models	Black	<b>550-0824</b>	\$899.95
M8 Softail® Street Bob, Low Rider, Slim®, Fat Boy & Breakout models	Chrome	<b>550-0825</b>	\$899.95
M8 Softail® Heritage Classic & Deluxe® models	Chrome	<b>550-0826</b>	\$899.95

EU Type-Approval: e9\*134/2014\*2018/295H\*11028\*00

### SLASH CUT EC SLIP-ON MUFFLERS FOR 2018 M8 HD® SOFTAIL® MODELS

M8 Softail® Street Bob®, Low Rider®, Slim®, Fat Boy® & Breakout® models	Black	<b>550-0821</b>	\$849.95
M8 Softail® Street Bob, Low Rider, Slim, Fat Boy & Breakout models	Chrome	<b>550-0822</b>	\$849.95
M8 Softail® Heritage®/Deluxe® models	Chrome	<b>550-0823</b>	\$849.95

EU Type-Approval: e9\*134/2014\*2018/295H\*11027\*00

REPLACEMENT PARTS: SEE PAGE 43



# STEALTH TEARDROP AIR CLEANER KITS

## FEATURES AND BENEFITS

- Classic Teardrop Styling
- Contemporary Stealth backing plate and high flow air filter
- S&S stinger creates smooth path for air into intake
- Easy to install
- Gloss black or chrome
- Slasher style sold as cover only
- Now available for M8 applications!



STEALTH TEARDROP AIR CLEANER KITS		
Description	Part #	MSRP
Chrome Stealth Teardrop plus Stealth Kit (170-0354A)	<b>170-0524</b>	\$314.95
Gloss Black Stealth Teardrop plus Stealth Kit (170-0354A)	<b>170-0525</b>	\$314.95

Exempt from emissions tampering regulations under CARB EO# D-355-24  
 † ⚠️ WARNING: Cancer and Reproductive Harm – www.P65Warnings.ca.gov

## STEALTH TEARDROP COVER ONLY

Chrome	<b>170-0530</b>	\$167.95
Gloss Black	<b>170-0531</b>	\$167.95
Slasher – Chrome	<b>170-0532</b>	\$177.95
Slasher – Gloss Black	<b>170-0533</b>	\$177.95



REPLACEMENT PARTS: SEE PAGE 32

# CARBON FIBER STEALTH AIR CLEANER KITS

## FEATURES & BENEFITS

- Strong and lightweight
- Corrosion resistance
- Simple installation
- Also available as cover only



CARBON FIBER TEARDROP KIT		
Fitment	Part #	MSRP
2017-'19 M8 models	<b>170-0498</b>	\$469.95

Kit includes Stealth Air Cleaner 170-0354A which is exempt from emissions tampering regulations under CARB EO# D-355-24.

CARBON FIBER TEARDROP  
COVER ONLY

**170-0501**

\$299.95



REPLACEMENT PARTS: SEE PAGE 32

# STEALTH AIR CLEANER KITS

NEW STEALTH TEARDROP KITS SEE PAGE 20

## FITMENT

- 2017–'19 Harley-Davidson® models with the Milwaukee-Eight® engine
- Works with Screamin' Eagle® 64mm

## FEATURES AND BENEFITS

- Use with any S&S Stealth cover (see page 21)
- Use with your stock Harley-Davidson® Milwaukee-Eight® engine air cleaner cover (Adapter required — see below)
- High flow (1" taller) filter kit available (P/N 170-0127\*)
- Backplate made from high-strength advanced synthetic polymer —reduces heat transfer to intake air
- Cooler, denser air allows for more efficient cylinder fill and better performance
- Included actuator cover, hides TBW servo motor for a clean, attractive installation
- Exempt from emissions tampering regulations under CARB EO# D-355-24



## STEALTH AIR CLEANER KITS

Description	Part #	MSRP
Chrome Mini Cover plus Stealth Kit (170-0354A)	<b>170-0435A</b> ±	\$314.95
Gloss Black Mini Cover plus Stealth Kit (170-0354A)	<b>170-0436A</b>	\$314.95
Chrome Airstream cover plus Stealth Kit (170-0354A)	<b>170-0390A</b>	\$314.95
Gloss Black Airstream cover plus Stealth Kit (170-0354A)	<b>170-0397A</b>	\$314.95
Tri-Spoke cover plus Stealth Kit (170-0354A)	<b>170-0392A</b>	\$314.95
Torker cover plus Stealth Kit (170-0354A)	<b>170-0393A</b>	\$314.95
Air 1 cover plus Stealth Kit (170-0354A)	<b>170-0394A</b>	\$314.95
Stealth Air Cleaner Kit for Stock M8 and 64mm Throttle Body	<b>170-0354A</b>	\$167.95
Adapter for Stock M8 Air Cleaner Cover	<b>170-0352</b>	\$52.95

Exempt from emissions tampering regulations under CARB EO# D-355-24

± WARNING: Cancer and Reproductive Harm — www.P65Warnings.ca.gov

**CARB**  
compliant  
EO #D-355-24



The S&S Stealth air cleaner backplate in this kit is made from the same high-strength, advanced, synthetic polymers used in high performance automotive intake manifolds and high-end handgun bodies! This material offers superior mechanical properties, thermal stability, and chemical resistance. Designed to reduce heat transfer to the intake air for more efficient induction.



REPLACEMENT PARTS: SEE PAGE 32

# EC STEALTH AIR CLEANER KITS

- 2018–'19 M8 Softail® models (e9 11026G)
- 2017–'19 M8 touring models

## EC STEALTH AC KITS

2018–2019 M8 Softail models cover sold separately	<b>170-0521</b>	\$205.95
2017–'19 M8 touring models cover sold separately	<b>170-0521</b>	\$205.95

EU Type-Approval: e9\*134/2014\*2018/295G\*11026\*00



# STEALTH AIR CLEANER KIT COVERS

NEW STEALTH TEARDROP COVERS SEE PAGE 20



Carbon Fiber



Mini in Chrome



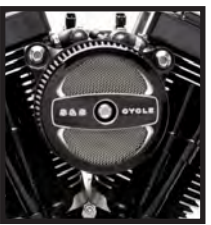
Mini in Gloss Black



Tri-Spoke



Torker



Air 1



Airstream in Chrome



Airstream in Gloss Black



Muscle in Chrome



Muscle in Gloss Black



Bobber-dished

## STEALTH COVERS

Carbon Fiber	Mini		Tri-Spoke	Torker	Air 1	Bobber-Dished	
Black	Chrome	Gloss Black	Gloss Black w/Highlights	Gloss Black w/Highlights	Gloss Black w/Highlights	Chrome	Wrinkle Black
<b>170-0501</b>	<b>170-0367<sup>±</sup></b>	<b>170-0366</b>	<b>170-0210</b>	<b>170-0206</b>	<b>170-0214</b>	<b>170-0119<sup>±</sup></b>	<b>170-0123</b>
\$299.95	\$167.95	\$167.95	\$157.95	\$157.95	\$157.95	\$125.95	\$125.95

Airstream		Muscle		Displacement			Bobber-Domed	
Chrome	Gloss Black	Chrome	Gloss Black with Highlighted Logo	111	124	143	Chrome	Wrinkle Black
<b>170-0118<sup>±</sup></b>	<b>170-0396</b>	<b>170-0121<sup>±</sup></b>	<b>170-0463</b>	<b>170-0319</b>	<b>170-0321</b>	<b>170-0323</b>	<b>170-0120<sup>±</sup></b>	<b>170-0124</b>
\$157.95	\$157.95	\$178.95	\$178.95	\$171.95	\$171.95	\$171.95	\$125.95	\$125.95

<sup>±</sup> WARNING: Cancer and Reproductive Harm – www.P65Warnings.ca.gov

# 124" & 128" BIG BORE KITS

## FITMENT:

- 2017–up touring models
- 2018–up Softail® models

## FEATURES AND BENEFITS:

- 107" to 124" Big Bore Kit
- 114" to 128" Big Bore Kit
- 114" & 117" CVO™ to 128" Big Bore Kit
- 4.250" Bore
- Forged Pistons
- 11.1 Compression Ratio
- Wrinkle Black or Black Granite Finish
- Available with or without Highlighted Fins
- Bolt-on Kit — No Machining Required
- Includes Gaskets & Hardware



SPECS FOR 124" & 128" BIG BORE KITS				
Displacement	Bore	Stroke	Piston Type	Compression Ratio
124" 4 3/8" Stroke	4.250	4.375	Forged	11.1
128" 4 1/2" Stroke	4.250	4.5	Forged	11.1

## 124" & 128" BIG BORE KITS FOR 2017–UP TOURING MODELS & 2018 SOFTAIL® MODELS

Displacement	Finish	Part #	MSRP
124"	WBlack with Non-Highlighted Fins	<b>910-0681</b>	\$1,099.95
	WBlack with Highlighted Fins	<b>910-0625</b>	\$1,099.95
128"	WBlack with Non-Highlighted Fins	<b>910-0685</b>	\$1,099.95
	WBlack with Highlighted Fins	<b>910-0684</b>	\$1,099.95
	Black Granite with Highlighted Fins	<b>910-0733</b>	\$1,099.95

DISCLAIMER: FOR CLOSED COURSE COMPETITION USE ONLY. NOT INTENDED FOR STREET USE.  
LEGAL IN CALIFORNIA ONLY FOR RACING VEHICLES WHICH MAY NEVER BE USED, OR REGISTERED OR LICENSED FOR USE, UPON A HIGHWAY.

# CYLINDERS

## FITMENT:

- 2017–up touring models
- 2018–up Softail® models

## FEATURES AND BENEFITS:

- 4.250" Bore
- Wrinkle Black or Black Granite Finish
- Available with or without Highlighted Fins

## CYLINDER SETS

Finish	Part #	MSRP
WBlack with Non-Highlighted Fins	<b>910-0683</b>	\$799.95
WBlack with Highlighted Fins	<b>910-0682</b>	\$799.95
Black Granite with Highlighted Fins	<b>910-0739</b>	\$799.95

DISCLAIMER: FOR CLOSED COURSE COMPETITION USE ONLY. NOT INTENDED FOR STREET USE.  
LEGAL IN CALIFORNIA ONLY FOR RACING VEHICLES WHICH MAY NEVER BE USED, OR REGISTERED OR LICENSED FOR USE, UPON A HIGHWAY.



# PISTON KITS

- Piston kits include set of pistons, rings, wristpins, and clips



## 4.250" BORE PISTON KIT FOR M8 MODELS

Displacement	Deck Height	Stroke	Standard	MSRP	+.010	MSRP
124"	1.143"	4.375"	<b>920-0135</b>	\$499.95	<b>920-0141</b>	\$499.95
128"	1.0805"	4.500"	<b>920-0140</b>	\$499.95	<b>920-0142</b>	\$499.95

DISCLAIMER: FOR CLOSED COURSE COMPETITION USE ONLY. NOT INTENDED FOR STREET USE.  
 LEGAL IN CALIFORNIA ONLY FOR RACING VEHICLES WHICH MAY NEVER BE USED, OR REGISTERED OR LICENSED FOR USE, UPON A HIGHWAY.

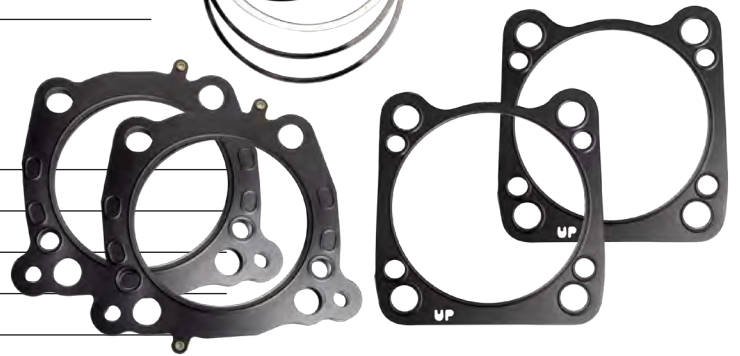
# REPLACEMENT PARTS FOR PISTONS

Piston Ring Set	2 Pack	<b>940-0060</b>	\$129.95
Piston +.010" Ring Set	2 Pack	<b>940-0062</b>	\$129.95
Plug		<b>500-0835</b>	\$9.95
Cylinder Dowel Pin	4 Pack	<b>500-0849</b>	\$9.95
Wristpin Keeper		<b>94-9278-S</b>	\$3.95
Wristpin, .927" x 2.500"		<b>940-0037</b>	\$20.95



## GASKET KIT

Description	Part #	MSRP
Head gasket, 4.25" Bore, Stock bolt pattern	<b>930-0140</b>	\$79.95
Base gasket, Stoczko to 4.250" Bore, Stock bolt pattern	<b>930-0139</b>	\$49.95
Gasket Kit, includes Head, Base, & Exhaust, 4.25" Bore	<b>900-0955</b>	\$119.95
<b>HARDWARE KIT</b>	<b>910-0677</b>	\$29.95





# POWER PACKS



## 107" TO 124" BIG BORE KIT:

- Wrinkle black finish
- Available with or without fin highlighting
- Bolt-on kit — No case machining required
- 4.250" bore
- Forged pistons
- 11.1 Compression ratio

## OIL PUMP/CAM PLATE:

- Precision machined from billet aluminum
- Passage plugs removable for servicing
- Independent scavenge sections for flywheel cavity and cam chest
- Debris screens in both scavenge pickups
- Magnet in cam chest to help to stop debris from entering oil pump
- Increased flow capacity on both feed & scavenge side
- Pressure relief valve is adjustable with unit installed in engine

## PUSHRODS:

- Quickee pushrods
- Chrome or gloss black pushrod tubes available

## TAPPETS:

- S&S Premium Tappets

## TAPPET CUFFS:

- Hard anodized black coating
- Billet aluminum construction
- Stronger than stock material eliminates distortion
- Improve tappet stability in high lift & high RPM situations

## CAM:

- S&S 550 cam—Designed for big bore applications
- Available in both gear drive & chain drive variations
- Gear drive kits provide improved cam timing accuracy & eliminate stock chain tensioner
- Gear drive kits include outer drive gears

## VALVE SPRINGS:

- Works well with cams up to .605 lift
- High performance conical single wire spring
- Includes top collars, keepers, & valve seals/bottom collars

### M8 POWER PACKAGE KIT FOR 2017 TOURING MODELS & ALL 2018–19 HD® MODELS WITH 107" ENGINE

Cooling System	Finish	Drive	Pushrod Tubes	Part #	MSRP
Oil	Highlighted Fins	Chain	Chrome	<b>310-1052</b>	\$2,699.95
Oil	Highlighted Fins	Gear	Chrome	<b>310-1053</b>	\$2,895.95
Oil	Highlighted Fins	Chain	Black	<b>310-1056</b>	\$2,699.95
Oil	Highlighted Fins	Gear	Black	<b>310-1058</b>	\$2,895.95
Oil	Non-Highlighted Fins	Chain	Black	<b>310-1057</b>	\$2,699.95
Oil	Non-Highlighted Fins	Gear	Black	<b>310-1059</b>	\$2,895.95
Water	Highlighted Fins	Chain	Chrome	<b>310-1050</b>	\$2,699.95
Water	Highlighted Fins	Gear	Chrome	<b>310-1051</b>	\$2,895.95
Water	Highlighted Fins	Chain	Black	<b>310-1054</b>	\$2,699.95
Water	Highlighted Fins	Gear	Black	<b>310-1055</b>	\$2,895.95

DISCLAIMER: NOT LEGAL FOR SALE OR USE IN CALIFORNIA ON ANY POLLUTION CONTROLLED MOTOR VEHICLE. Not legal for sale or use on any EPA pollution controlled motor vehicle.

Order 608-627-1497

# CAM PLATE & OIL PUMP KITS

## FITMENT

- 2017 touring and 2018–'19 touring M8 models

## CAM PLATE

- Precision machined from billet aluminum
- Passage plugs removable for servicing
- Bronze bushings for better lubrication & improved wear characteristics
- Made in USA

## OIL PUMPS

- Precision machined from billet aluminum
- Independent scavenge sections for flywheel cavity and cam chest
- Debris screens in both scavenge pickups
- Magnet in cam chest to help prevent debris from entering pump
- Increased flow capacity on both feed and scavenge side
- Pressure relief valve can be adjusted with unit in engine
- Made in USA

## KITS

- Buy together and save \$\$

**REPLACEMENT PARTS:  
SEE PAGE 44 & PAGE 45**



### CAM PLATE & OIL PUMP KITS FOR M8 MODELS

Description	Part #	MSRP
Cam Plate & Oil Pump/Water-Cooled	<b>310-0997A</b>	\$727.95
Cam Plate & Oil Pump/Oil-Cooled	<b>310-0998A</b>	\$727.95
<b>CAM PLATE ONLY</b>	<b>310-0939A</b>	\$311.95
<b>OIL PUMP ONLY</b>		
Description	Part #	MSRP
Water-Cooled	<b>310-0947</b>	\$467.95
Oil-Cooled	<b>310-0959</b>	\$467.95

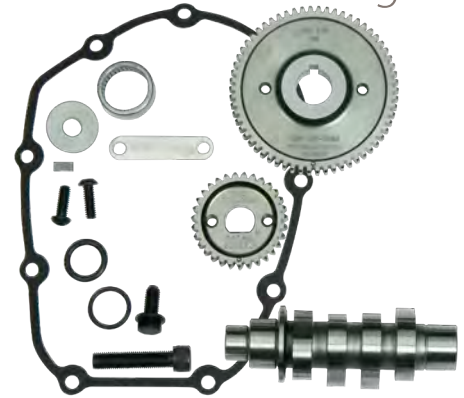
# CAM KITS

## FITMENT

- 2017 touring and 2018–'19 touring M8 models

## FEATURES AND BENEFITS

- 465C chain drive and 465G gear drive cams both provide increased torque and horsepower
- 350G gear drive cam has stock specs, but eliminates cam drive chain and tensioner
- Kits include all required bearings, o-rings and hardware
- Gear drive cams provide improved valve timing accuracy
- Made in the USA



### S&S® CAMSHAFT SPECIFICATIONS

Cam Name	Cylinder	Valve Timing		Valve Duration		Valve Lift		Lobe Center Line		Valve Lift @ TDC	
		Intake	Exhaust	Intake	Exhaust	Intake	Exhaust	Intake	Exhaust	Intake	Exhaust
		Open BTDC/ Close ABDC	Open BBDC/ Close ATDC								
350G Stock Grind Gear Drive	Both	-7.0/1.0	33.0/-14.0	174.0	199.0	.350	.374	94.0	113.5	.057	.048
465 Performance	Front	2.6/14.6	30.1/8.8	197.2	218.9	.462	.462	96.0	100.6	.087	.109
	Rear	2.8/14.4	33.1/5.8	197.2	218.9	.462	.462	95.8	103.6	.088	.098
475 HP	Front	6.2/27.2	55.5/28.5	213.5	263.9	.475	.475	100.5	103.5	.107	.208
	Rear	2.2/31.2	52.5/20.2	213.5	252.5	.475	.475	104.5	106.0	.093	.170
550 Big Bore	Front	9.4/29.4	62.5/30.5	218.9	273.1	.550	.550	100.0	106.0	.127	.232
	Rear	3.1/31.1	59.4/38.4	214.2	277.8	.550	.550	104.0	100.5	.099	.264

### CHAIN DRIVE CAMSHAFTS FOR 2017–'19 HD® MODELS WITH M8 ENGINE

Description	Part #	MSRP
465C	<b>330-0620</b>	\$189.95
475C	<b>330-0641</b>	\$189.95
550C	<b>330-0643</b>	\$189.95

DISCLAIMER: NOT LEGAL FOR SALE OR USE IN CALIFORNIA ON ANY POLLUTION CONTROLLED MOTOR VEHICLE. Not legal for sale or use on any EPA pollution controlled motor vehicle.

### REPLACEMENT PARTS

Description	Part #	MSRP
Cam Cover Gasket	<b>310-0911</b>	\$15.95
Pinion Gear	<b>330-0622</b>	\$98.95
Undersized Pinion Gear	<b>330-0626</b>	\$108.95
Oversized Pinion Gear	<b>330-0627</b>	\$108.95
Cam Gear Drive	<b>330-0621</b>	\$188.95

### GEAR DRIVE CAMSHAFTS FOR 2017–'19 HD® MODELS WITH M8 ENGINE

Description	Part #	MSRP
350G - Stock	<b>330-0625</b>	\$379.95
465G	<b>330-0624</b>	\$379.95
475G	<b>330-0645</b>	\$379.95
550G	<b>330-0647</b>	\$379.95

DISCLAIMER: NOT LEGAL FOR SALE OR USE IN CALIFORNIA ON ANY POLLUTION CONTROLLED MOTOR VEHICLE. Not legal for sale or use on any EPA pollution controlled motor vehicle.

### CAMSHAFT INSTALLATION KITS FOR M8 2017–'19 TOURING

Description	Part #	MSRP
Chain Drive Installation Kit	<b>330-0619</b>	\$36.95
Gear Drive Installation Kit	<b>330-0623</b>	\$41.95



**REPLACEMENT PARTS: SEE PAGE 46**

All reference to H-D® part numbers is for identification purposes only. We in no way are implying that any of S&S Cycle's products are original equipment parts or that they are equivalent to the corresponding H-D® part number shown.



# CAM CHEST KITS

### FITMENT

- 2017–'19 touring models
- 2018–2019 Harley-Davidson® Softail® models

### OIL PUMP/CAM PLATE:

- Precision machined from billet aluminum
- Passage plugs removable for servicing
- Independent scavenge sections for flywheel cavity and cam chest
- Debris screens in both scavenge pickups
- Magnet in cam chest to help to stop debris from entering oil pump
- 44% flow increase on supply side and 58% flow increase on scavenge
- Pressure relief valve is adjustable with unit installed in engine

### PUSHRODS:

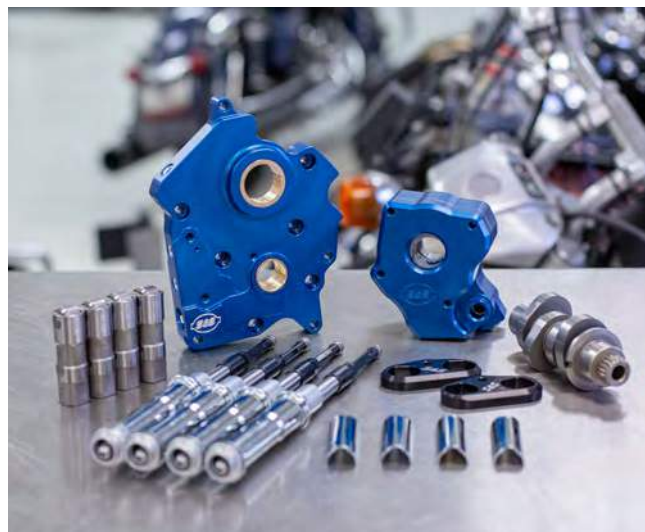
- Quickee Pushrods
- Chrome or Gloss Black pushrod tubes available

### TAPPETS:

- S&S Premium Tappets

### TAPPET CUFFS:

- Hard anodized black coating
- Billet aluminum construction
- Improve tappet stability in high lift and high rpm situations



### CAM:

- S&S 465 or 475 cam
- 465 is a torque cam—perfect for touring applications
- 475 is a bolt-in 100hp cam!
- Available in both gear drive and chain drive variations
- Gear drive kits provide improved cam timing accuracy and eliminate the stock cam chain tensioner

**INCLUDES ALL GASKETS, BEARINGS, AND HARDWARE REQUIRED FOR INSTALLATION • MADE IN USA**

### CAM CHEST KITS FOR 2017–'19 TOURING MODELS & 2018–'19 SOFTAIL® MODELS

Cooling system	Cam	Pushrods	Part #	MSRP
Oil Cooled	Chain Drive 465C	Chrome	<b>310-1003</b>	\$1,299.95
	Chain Drive 475C	Chrome	<b>310-1004</b>	\$1,299.95
	Gear Drive 465G	Chrome	<b>310-1005</b>	\$1,499.95
	Gear Drive 475G	Chrome	<b>310-1006</b>	\$1,499.95
	Chain Drive 465C	Black	<b>310-1011</b>	\$1,329.95
	Chain Drive 475C	Black	<b>310-1012</b>	\$1,329.95
	Gear Drive 465G	Black	<b>310-1013</b>	\$1,529.95
	Gear Drive 475G	Black	<b>310-1014</b>	\$1,529.95
Water Cooled	Chain Drive 465C	Chrome	<b>310-0999</b>	\$1,299.95
	Chain Drive 475C	Chrome	<b>310-1000</b>	\$1,299.95
	Gear Drive 465G	Chrome	<b>310-1001</b>	\$1,499.95
	Gear Drive 475G	Chrome	<b>310-1002</b>	\$1,499.95
	Chain Drive 465C	Black	<b>310-1007</b>	\$1,329.95
	Chain Drive 475C	Black	<b>310-1008</b>	\$1,329.95
	Gear Drive 465G	Black	<b>310-1009</b>	\$1,529.95
	Gear Drive 475G	Black	<b>310-1010</b>	\$1,529.95

DISCLAIMER: NOT LEGAL FOR SALE OR USE IN CALIFORNIA ON ANY POLLUTION CONTROLLED MOTOR VEHICLE. Not legal for sale or use on any EPA pollution controlled motor vehicle.

# TAPPET CUFFS

## FITMENT

- 2017–'19 touring models
- 2018–'19 HD Softail® models

## FEATURES AND BENEFITS

- Hard anodized black coating
- Billet aluminum construction
- Stronger material eliminates distortion
- Improve tappet stability in high lift and high rpm situations
- An easy upgrade when changing tappets or doing a cam change



## TAPPET CUFFS

Fitment	Part #	MSRP
2017–'19 HD® touring models 2018–'19 HD Softail® models	<b>330-0655</b>	\$47.95



# PREMIUM HIGH PERFORMANCE TAPPETS

## FITMENT

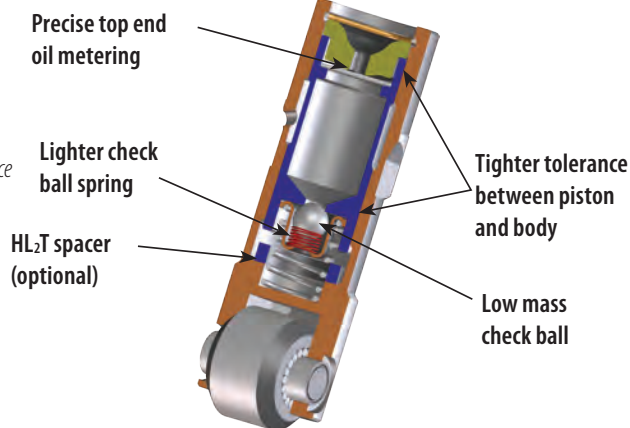
- 2017–'19 big twins with the Milwaukee-Eight® engine

## FEATURES

- Reduced valve train noise from start up to shut down
- Close tolerances for low leak down rates—*fast pump up and superior high rpm performance*
- Low mass, bearing grade, silicon nitride check ball and lighter check ball spring—*enhances fast pump up and quiet operation*
- 100% tested to ensure that leak down and top end oil flow are within specification

## PREMIUM HIGH PERFORMANCE TAPPETS

Tappet Sets	Part #	MSRP
Set of 4 tappets with HL <sub>2</sub> T kit	<b>330-0174</b>	\$314.95
Set of 4 tappets without HL <sub>2</sub> T kit	<b>330-0175</b>	\$293.95



# HIGH PERFORMANCE HYDRAULIC TAPPETS

## FITMENT

- 1999–'19 big twins
- S&S T-Series engines

## HIGH PERFORMANCE HYDRAULIC TAPPET SETS

Description		Part #	MSRP
Standard Tappet Set (4)	Without HL <sub>2</sub> T Kit	<b>33-5350</b> 18538-99A, 18538-99B, 18538-99C	\$141.95

\*S&S tappets with HL<sub>2</sub>T Kit require the use of adjustable pushrods.



# QUICKEE ADJUSTABLE PUSHRODS

GLOSS BLACK ALSO AVAILABLE

## FITMENT

- 2017–2019 big twins with the Milwaukee-Eight® engine

## FEATURES AND BENEFITS


- Adjustable to accommodate all tappets and cam base circle diameters and engine heights
- Easy to install — removal of rocker box not needed
- Perfect for S&S HL<sub>2</sub>T
- No threads on wrench flats
- Also available in gloss black

## KIT CONTENTS


- Pushrods, gloss black or chrome pushrod covers, o-rings, and cover keepers



### QUICKEE ADJUSTABLE PUSHRODS

Description	Part #	MSRP
Gloss Black Pushrod Kit <i>(includes black pushrod covers, o-rings &amp; cover keepers)</i>	<b>930-0137</b>	\$259.95
Chrome Pushrod Kit <i>(includes chrome pushrod covers, o-rings, &amp; cover keepers)</i>	<b>930-0123<sup>±</sup></b>	\$236.95
Pushrods Only	<b>93-5122</b> 	\$167.95

### PUSHROD COVER / KEEPER SET FOR 2017–'19 BIG TWINS WITH THE M8 ENGINE

Description		Part #	MSRP
Pushrod Cover Kit <i>(includes top &amp; bottom covers, cover cap, cover spring, spring washer, &amp; o-rings for four pushrods)</i> 	Gloss Black	<b>930-0124</b>	\$167.95
	Chrome	<b>106-1340<sup>±</sup></b>	\$154.95
Pushrod Cover Keeper Kit (2.200")	Gloss Black	<b>930-0138</b>	\$59.95
	Chrome	<b>930-0129</b>	\$29.95

<sup>±</sup>  WARNING: Cancer and Reproductive Harm – [www.P65Warnings.ca.gov](http://www.P65Warnings.ca.gov)



## NOTE

S&S quickee pushrods require aftermarket tubes.

# VALVE SPRINGS

## FEATURES AND BENEFITS

- Works well with cams up to .605" lift
- High Performance conical single wire spring
- Kit includes: Springs, Top Collars, Keepers, Valve seal/bottom collar

### VALVE SPRING KIT

Description	Part #	MSRP
Valve Spring Kit for M8 2017-'19 Models	<b>900-0958</b>	\$299.95

Milwaukee-Eight®



### REPLACEMENT PARTS FOR VALVE SPRING KITS

Description	Part #	MSRP
Valve Keeper	<b>900-0956</b>	\$2.95
Top Collar	<b>900-0952</b>	\$12.95

# S&S® OIL

## FEATURES AND BENEFITS

- Ultimate protection
- Superior lubrication for reduced engine wear and lower oil temperatures
- Provides consistent viscosity, and resists thermal breakdown and oxidation at elevated temperatures
- Includes a oil drain plug o-ring for convenience

### S&S® OIL CHANGE KIT

Description	Part #	MSRP
2017-'19 Harley-Davidson® Models with Milwaukee-Eight® engine	<b>3601-0492</b>	\$87.95



### S&S® OIL

Description	Part #	MSRP
20W50 Synthetic, 1 quart	<b>3601-0407</b>	\$14.95
20W50 Synthetic, 2.5 Gallon	<b>3601-0408</b>	\$139.95
Primary, Synthetic, 1 quart	<b>3603-0044</b>	\$14.95
80W140 Gear, Synthetic, 1 quart	<b>3604-0007</b>	\$14.95

# OIL FILTERS

## FEATURES AND BENEFITS

- Captures smaller particles than stock filters
- Low restriction to oil flow
- Direct bypass — bypass oil does not pass over dirty filter media
- Smaller diameter for easier installation
- Black or chrome finish



### S&S® OIL FILTERS

Year Application	Micron Rating	QTY	Chrome	MSRP	Black	MSRP
1999-'17* Twin Cam 88®/96™/103™ and Milwaukee-Eight® engines	10µ	each	<b>31-4104A</b>	\$17.95	<b>31-4103A</b>	\$14.95
		12 pack	<b>310-0242</b> 63798-99A	\$198.95	<b>310-0241</b> 63731-99A	\$149.95

\*Contains an anti-drain back valve

# GASKETS

### GASKETS

Cam Cover		<b>310-0911</b>	\$15.95
Exhaust Gaskets	each	<b>106-5029</b>	\$4.95
	10 pack	<b>93-1072</b>	\$47.95
Valve Stem Oil Seal, Hat Style, 6mm, M8 2017 touring models	8 pack	<b>900-0959</b>	\$31.95

Head gasket, 4.25" Bore, Stock bolt pattern	<b>930-0140</b>	\$79.95
Base gasket, Stock to 4.250" Bore, Stock bolt pattern	<b>930-0139</b>	\$49.95
Gasket Kit, includes Head, Base, & Exhaust, 4.25" Bore	<b>900-0955</b>	\$119.95
O-ring kit, Oil Pump	<b>500-0850</b>	\$4.95

Order 608-627-1497

Milwaukee-Eight®

2007-2017  
Twin Cam  
96"/103"/110"

1999-2006  
Twin Cam 88"

1986-2019  
Sportster® & Buell®

2014-2019  
Street® &  
Street Rod™

1984-1999  
Evolution®

1926-1984  
Vintage Engines

Indian® &  
Victory® Models

Tools  
& Shop Supplies

Apparel

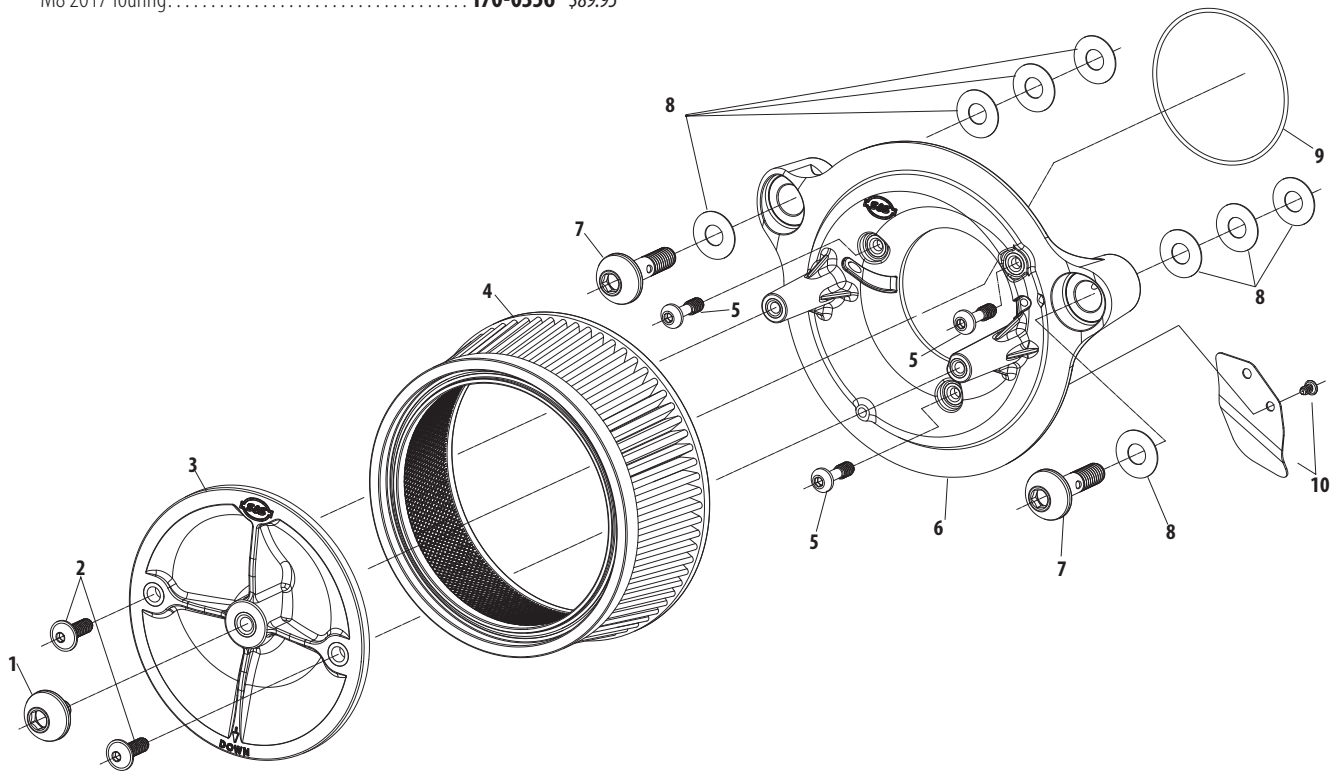
Warranty &  
Company Policy

Appendix  
& Index

# STEALTH AIR CLEANER KIT REPLACEMENT PARTS

## INCLUDING EC VERSIONS

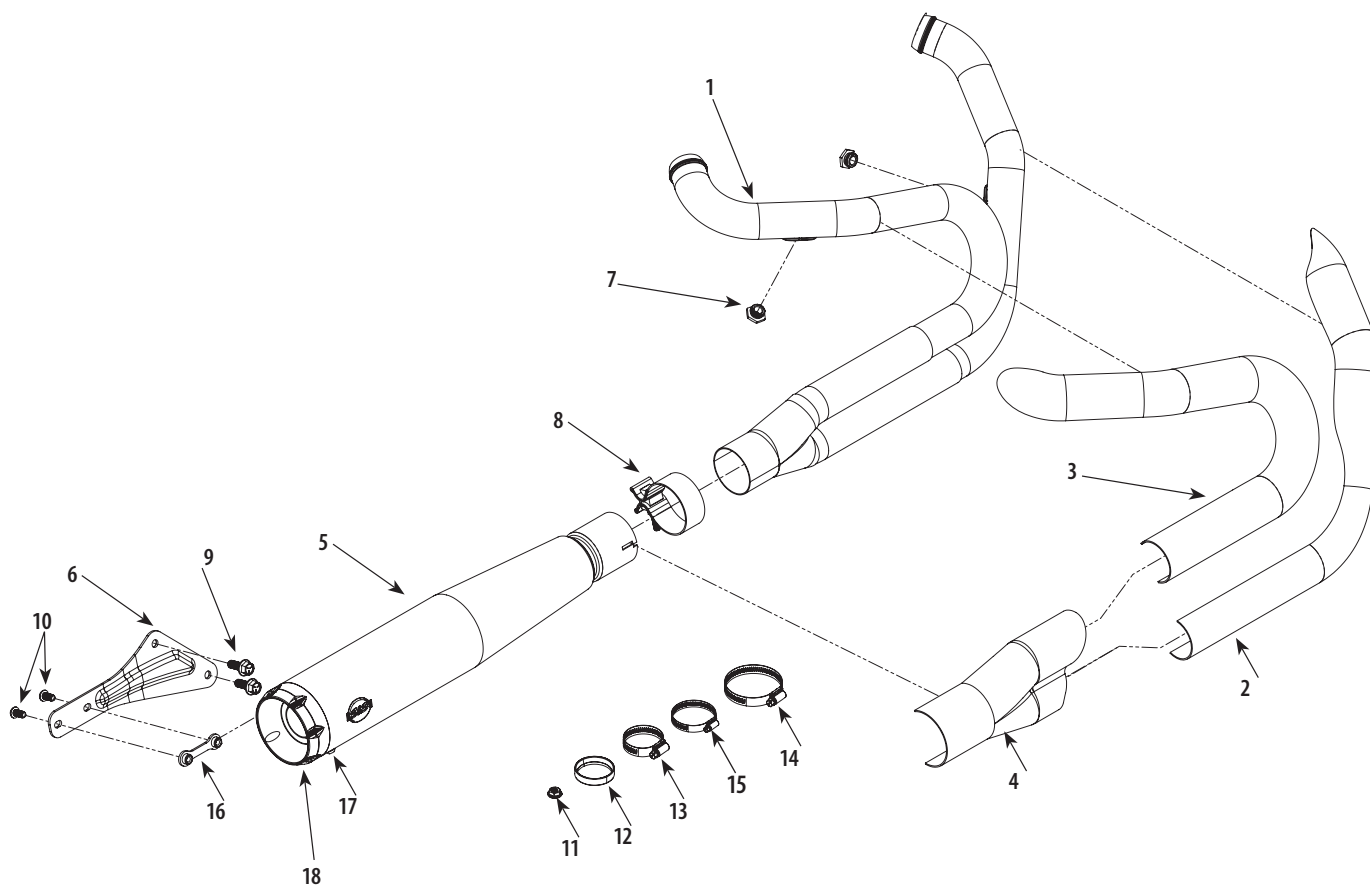
1. Screw, SHCB, 5/16-18 x .500", Polished, Stainless Steel . . . **170-0508** \$17.95
2. Screw, SHC, Flanged Button, 1/4-20 UNC x .750" (Each) . . . **500-0060** \$2.95
3. Plate, Top, Air Filter, Molded, Plastic . . . . . **170-0026** \$13.95
4. Filter, Air, Tapered, Standard Pleated,  
5.500" x 6.000" x 2.375", Cotton . . . . . **170-0126** \$42.95
5. Screw, SHCB, 1/4-20 UNC X .825" (Each) 3 required . . . . . **500-0059** \$2.95
6. Backplate, Air Cleaner, Throttle by Wire, Stock Bore, Injection Molded . .  
Polymer, M8 2017 Touring . . . . . **170-0353** \$73.95  
EC Backplate . . . . . **N/A** -
7. Screw, Backplate Vent, SHCB, 3/8-16 x 1-1/2",  
Polished, Stainless Steel (Each) 2 required . . . . . **170-0045** \$24.95
8. Washer, Flat, 7/8" x .380" x .021", Rubber Coated, Cold  
Rolled Steel (Each) 8 required . . . . . **50-7054** \$2.95
9. O-ring, 2.75" ID x 2.875 OD, X 1/16" Buna, (-039) . . . . . **50-8207-S** \$6.95
10. Cover, Electrical Plug, Throttle by Wire, Aluminum  
M8 2017 Touring . . . . . **170-0356** \$89.95





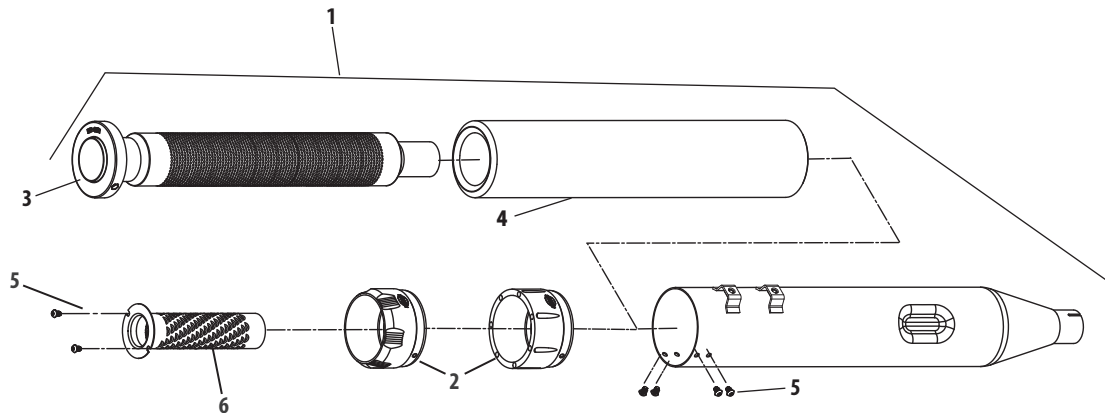
# SUPERSTREET 2:1 EXHAUST SYSTEM REPLACEMENT PARTS

- |   |       |                   |          |   |       |                  |                  |
|---|-------|-------------------|----------|---|-------|------------------|------------------|
| 1. Pipe, Header, Super Street, 2 into 1, Weldment, M8 SOFTAIL™ EXCEPT Fat Boy™, and Breakout™     | ..... | <b>551-0761</b> ± | \$279.95 | Hardware kit (includes #7-15 below)                                     | ..... | <b>551-0735</b>  | \$74.95          |
| 2. Front Shield,<br>Black   | ..... | <b>551-0764</b>   | \$209.95 | 7. Adapter, Oxygen Sensor, 12mm to 18mm,<br>Stainless Steel             | ..... | <b>550-0375</b>  | \$10.95          |
| Chrome  | ..... | <b>551-0766</b> ± | \$174.95 | 8. Muffler clamp, band style  | ..... | <b>551-0135</b>  | \$11.95          |
| 3. Rear Shield<br>Black   | ..... | <b>551-0769</b>   | \$189.95 | 9. Screw  | ..... | <b>500-0877</b>  | \$0.95           |
| Chrome  | ..... | <b>551-0771</b> ± | \$159.95 | 10. Screw   | ..... | <b>500-0763</b>  | Call for Pricing |
| 4. Collector Shield<br>Black  | ..... | <b>551-0774</b>   | \$99.95  | 11. Nut, HSFH, 5/16-24 UNF-2B x .283", Zinc, Steel 7593                 | ..... | <b>50-5025-S</b> | \$0.95           |
| Chrome  | ..... | <b>551-0776</b> ± | \$94.95  | 12. Gasket, Exh, Tapered, Stainless Steel 65324-83B, 65324-83A          | ..... | <b>106-5029</b>  | \$4.95           |
| 5. Muffler—Race<br>Black  | ..... | <b>551-0750</b>   | \$574.95 | 13. Clamp, Hose, Worm Drive, SAE #20                                    | ..... | <b>551-0527</b>  | \$1.95           |
| Chrome  | ..... | <b>551-0754</b> ± | \$549.95 | 14. Clamp, Hose, Worm Drive, SAE #40                                    | ..... | <b>551-0402</b>  | \$2.95           |
| Muffler—49-State<br>Black   | ..... | <b>551-0751</b>   | \$869.95 | 15. Clamp, Hose, Worm Drive, SAE #24                                    | ..... | <b>500-0791</b>  | \$1.95           |
| Chrome  | ..... | <b>551-0755</b> ± | \$839.95 | 16. Plate, Nut, 5/16-18 x 2", Clear, Zinc                               | ..... | <b>551-0469</b>  | \$2.95           |
| 6. Bracket, Muffler, 2 into 1, Powdercoated, Black,<br>M8 SOFTAIL™ EXCEPT Fat Boy™, and Breakout™ | ..... | <b>551-0734</b>   | \$19.95  | 17. Screw, BHC, High Temp Lock Patch,<br>1/4-20 x 3/8", Stainless Steel | ..... | <b>500-0441</b>  | \$0.95           |
|   |       |                   |          | 18. Endcap, SuperStreet, Black  | ..... | <b>551-0929</b>  | \$174.95         |
|   |       |                   |          | <b>Not Shown:</b>   |       |                  |                  |
|   |       |                   |          | dB Reducer  | ..... | <b>551-0063</b>  | \$24.95          |
|   |       |                   |          | Screw, SHC 10-32 x 3/4  | ..... | <b>500-0569</b>  | \$1.95           |



# Mk45 4.5" MUFFLER REPLACEMENT PARTS INCLUDING EC VERSION

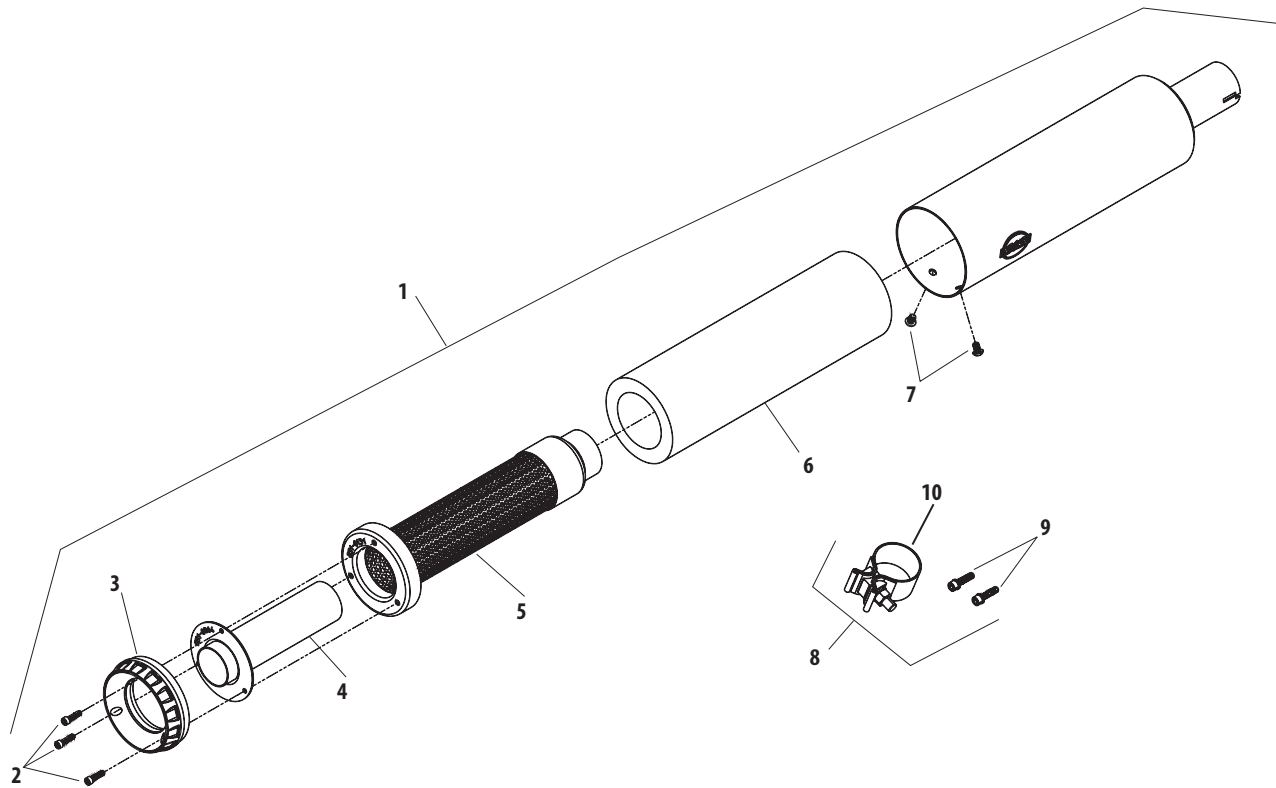
1. 4.5" Muffler assembly for 2017-'18 Models		
Left, chrome .....	<b>551-0149</b> ±	\$289.95
Right chrome .....	<b>551-0150</b> ±	\$289.95
Left black .....	<b>551-0151</b>	\$329.37
Right black .....	<b>551-0152</b>	\$324.95
2. Endcap		
Thruster chrome .....	<b>550-0634A</b> ±	\$174.95
Thruster Highlight Machined .....	<b>550-0629A</b>	\$159.95
Tracer chrome .....	<b>550-0636A</b> ±	\$174.95
Tracer Highlight Machined .....	<b>550-0632A</b>	\$159.95
3. Main baffle assembly, 4.5" muffler for 2017-'18 Models		
Left .....	<b>551-0007</b>	\$71.95
Right .....	<b>551-0138</b>	\$48.95
4. Insulation, 4.5" muffler .....		
	<b>551-0003</b>	\$25.95
5. Button head cap screw, Stainless, 1/4"-20 x 3/8" .....		
	<b>500-0441</b>	\$0.95
6. Baffle, Assembly, Muffler, SAE J2825 .....		
	<b>551-0026</b>	\$23.95
7. Hardware kit, muffler clamps and screws (N/S) 2017 Models		
Left .....	<b>551-0027</b>	\$27.95
Right .....	<b>551-0148</b>	\$14.95



±  WARNING: Cancer and Reproductive Harm — [www.P65Warnings.ca.gov](http://www.P65Warnings.ca.gov)

# GRAND NATIONAL® MUFFLER REPLACEMENT PARTS FOR 2018-'19 FAT BOB® MODELS

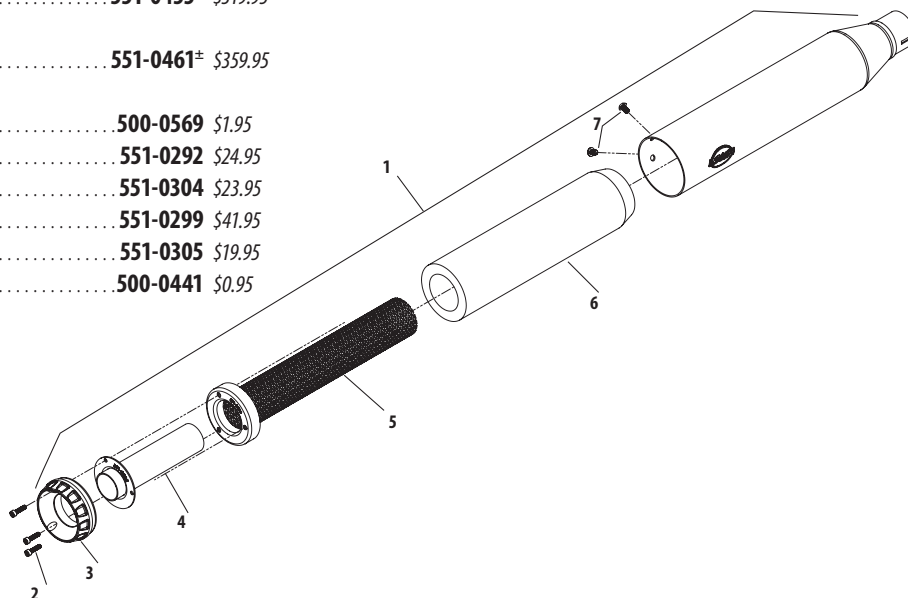
1. Muffler, Grand National, Black, 2018 M8 Fat Bob®  
Front/Rear ..... **551-0431** \$549.95
2. Screw, Shc, High Temp Lock Patch, 10-32 X ¾",  
Stainless Steel ..... **500-0569** \$1.95
3. 4" Endcap, Grand National, Black ..... **551-0291** \$34.95
4. dB Reducer Baffle Assembly ..... **551-0063** \$24.95
5. Baffle, Assembly ..... **551-0422** \$52.95
6. Fiberglass Wrap, Pillow, 12" X 13" ..... **551-0276** \$19.95
7. Screw, BHC, High Temp Lock Patch, ¼-20 ..... **500-0441** \$0.95
8. Hardware Kit, Muffler, 2018 M8 Fat Bob® ..... **551-0425** \$34.95  
Screw, Shcs, W/ Flat Washer, ¼-20 X 1"
9. Zinc, Astm A574-92A 4741A ..... **50-0092-S** \$2.95
10. Clamp, Muffler, Band Style, 1.75" ..... **551-0569** \$12.95



# GRAND NATIONAL® MUFFLER REPLACEMENT PARTS FOR 2018-'19 SOFTAIL® MODELS (EXCEPT FAT BOB®, SPORT GLIDE®, & FXDR MODELS)

1. Muffler Assembly  
M8 HD® Softail® Street Bob®, Low Rider®, Slim®, Fat Boy® & Breakout® models  
Top  
Black, ..... **551-0440** \$319.95  
Chrome..... **551-0443**‡ \$319.95  
Bottom  
Black..... **551-0452** \$319.95  
Chrome..... **551-0455**‡ \$319.95  
M8 Softail® Heritage® Classic and Deluxe  
Chrome Front or Rear ..... **551-0461**‡ \$359.95
2. Screw, SHC, High Temp Lock Patch, 10-32x3/4", Stainless Steel ..... **500-0569** \$1.95
3. 3.25" Endcap, Grand National, Black ..... **551-0292** \$24.95
4. dB Reducer Baffle Assembly ..... **551-0304** \$23.95
5. Baffle Assembly ..... **551-0299** \$41.95
6. Fiberglass Wrap ..... **551-0305** \$19.95
7. Screw, BHC, High Temp Lock Patch, 1/4-20 ..... **500-0441** \$0.95

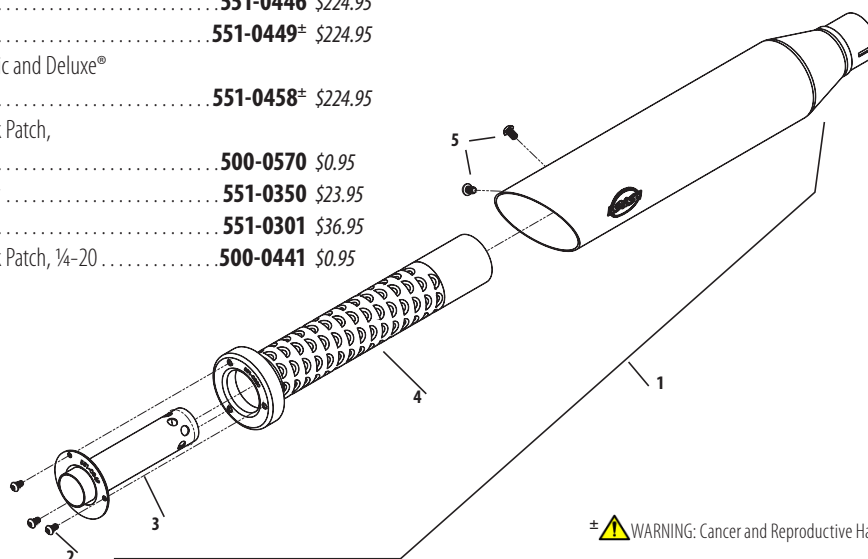
- Parts Not Shown**
8. Hardware Kit, Muffler, 2018 M8 Fat Bob® ..... **551-0425** \$34.95
  9. Screw, SHCS, w/Flat Washer, 1/4-20x1" 4741A ..... **50-0092-S** \$2.95
  10. Clamp, Muffler, Band Style, 1.75" ..... **551-0028** \$10.95
  11. Muffler Gasket ..... **551-0360** \$5.95
  12. Bracket Cover (Exc. Heritage® Classic and Deluxe) ..... **551-0538** \$3.95



# SLASH CUT MUFFLER REPLACEMENT PARTS FOR 2018-'19 SOFTAIL® MODELS (EXCEPT FAT BOB®, SPORT GLIDE®, & FXDR MODELS)

1. Muffler Assembly  
M8 HD® Softail® Street Bob®, Low Rider®, Slim®, Fat Boy® & Breakout® models  
Top  
Black..... **551-0434** \$224.95  
Chrome..... **551-0437**‡ \$224.95  
Bottom  
Black..... **551-0446** \$224.95  
Chrome..... **551-0449**‡ \$224.95  
M8 Softail® Heritage® Classic and Deluxe®  
Chrome, Front, or Rear ..... **551-0458**‡ \$224.95
2. Screw, BHC, High Temp Lock Patch, 10-32x3/8", Stainless Steel ..... **500-0570** \$0.95
3. dB Reducer Baffle Assembly ..... **551-0350** \$23.95
4. Baffle Assembly ..... **551-0301** \$36.95
5. Screw, BHC, High Temp Lock Patch, 1/4-20 ..... **500-0441** \$0.95

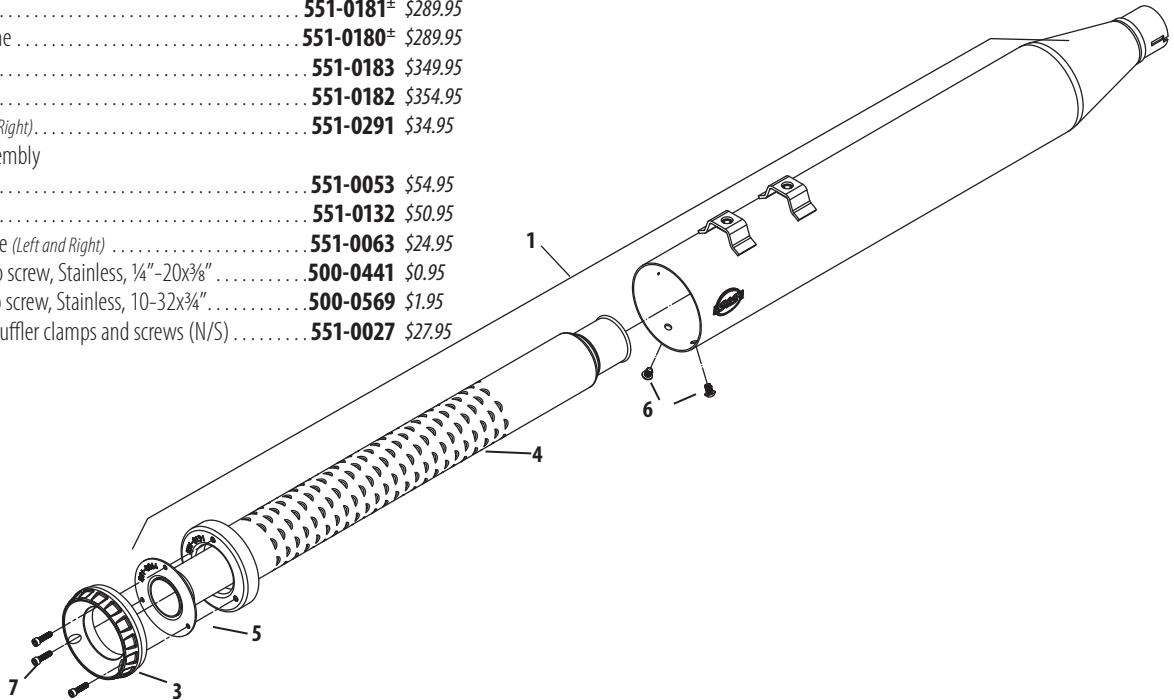
- Parts Not Shown**
6. Hardware Kit, Muffler ..... **551-0425** \$34.95
  7. Screw, SHCS, w/Flat Washer, 1/4-20x1" 4741A ..... **50-0092-S** \$2.95
  8. Clamp, Muffler, Band Style, 1.75" ..... **551-0028** \$10.95
  9. Muffler Gasket ..... **551-0360** \$5.95
  10. Bracket Cover (Exc. Heritage® Classic and Deluxe) ..... **551-0538** \$3.95



‡ **WARNING:** Cancer and Reproductive Harm — [www.P65Warnings.ca.gov](http://www.P65Warnings.ca.gov)

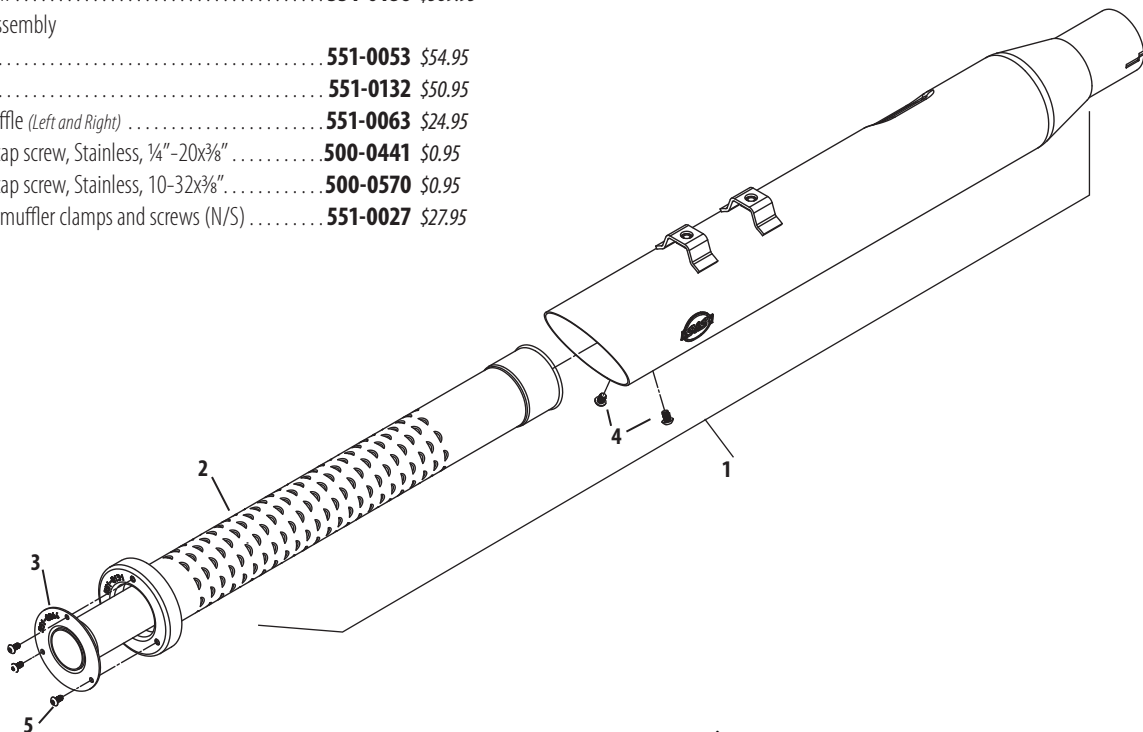
# GRAND NATIONAL® 4" MUFFLERS REPLACEMENT PARTS

- |   |                   |          |
|---|-------------------|----------|
| 1. 4" Muffler assembly with Grand National Endcap       |                   |          |
| Left, Chrome .....                                      | <b>551-0181</b> ± | \$289.95 |
| Right, Chrome .....                                     | <b>551-0180</b> ± | \$289.95 |
| Left, Black .....                                       | <b>551-0183</b>   | \$349.95 |
| Right, Black .....                                      | <b>551-0182</b>   | \$354.95 |
| 3. Endcap (Left and Right) .....                        | <b>551-0291</b>   | \$34.95  |
| 4. Main baffle assembly                                 |                   |          |
| Left .....  | <b>551-0053</b>   | \$54.95  |
| Right .....   | <b>551-0132</b>   | \$50.95  |
| 5. dB reducer baffle (Left and Right) .....             | <b>551-0063</b>   | \$24.95  |
| 6. Button head cap screw, Stainless, 1/4"-20x3/8" ..... | <b>500-0441</b>   | \$0.95   |
| 7. Socket head cap screw, Stainless, 10-32x3/4" .....   | <b>500-0569</b>   | \$1.95   |
| 9. Hardware kit, muffler clamps and screws (N/S) .....  | <b>551-0027</b>   | \$27.95  |



# SLASH CUT 4" MUFFLERS REPLACEMENT PARTS

- |   |                   |          |
|---|-------------------|----------|
| 1. 4" Muffler assembly Slash Down                       |                   |          |
| Left, Chrome .....                                      | <b>551-0185</b> ± | \$319.95 |
| Right, Chrome .....                                     | <b>551-0184</b> ± | \$319.95 |
| Left, Black .....                                       | <b>551-0187</b>   | \$389.95 |
| Right, Black .....                                      | <b>551-0186</b>   | \$389.95 |
| 2. Main baffle assembly                                 |                   |          |
| Left .....  | <b>551-0053</b>   | \$54.95  |
| Right .....   | <b>551-0132</b>   | \$50.95  |
| 3. dB reducer baffle (Left and Right) .....             | <b>551-0063</b>   | \$24.95  |
| 4. Button head cap screw, Stainless, 1/4"-20x3/8" ..... | <b>500-0441</b>   | \$0.95   |
| 5. Button head cap screw, Stainless, 10-32x3/8" .....   | <b>500-0570</b>   | \$0.95   |
| 6. Hardware kit, muffler clamps and screws (N/S) .....  | <b>551-0027</b>   | \$27.95  |

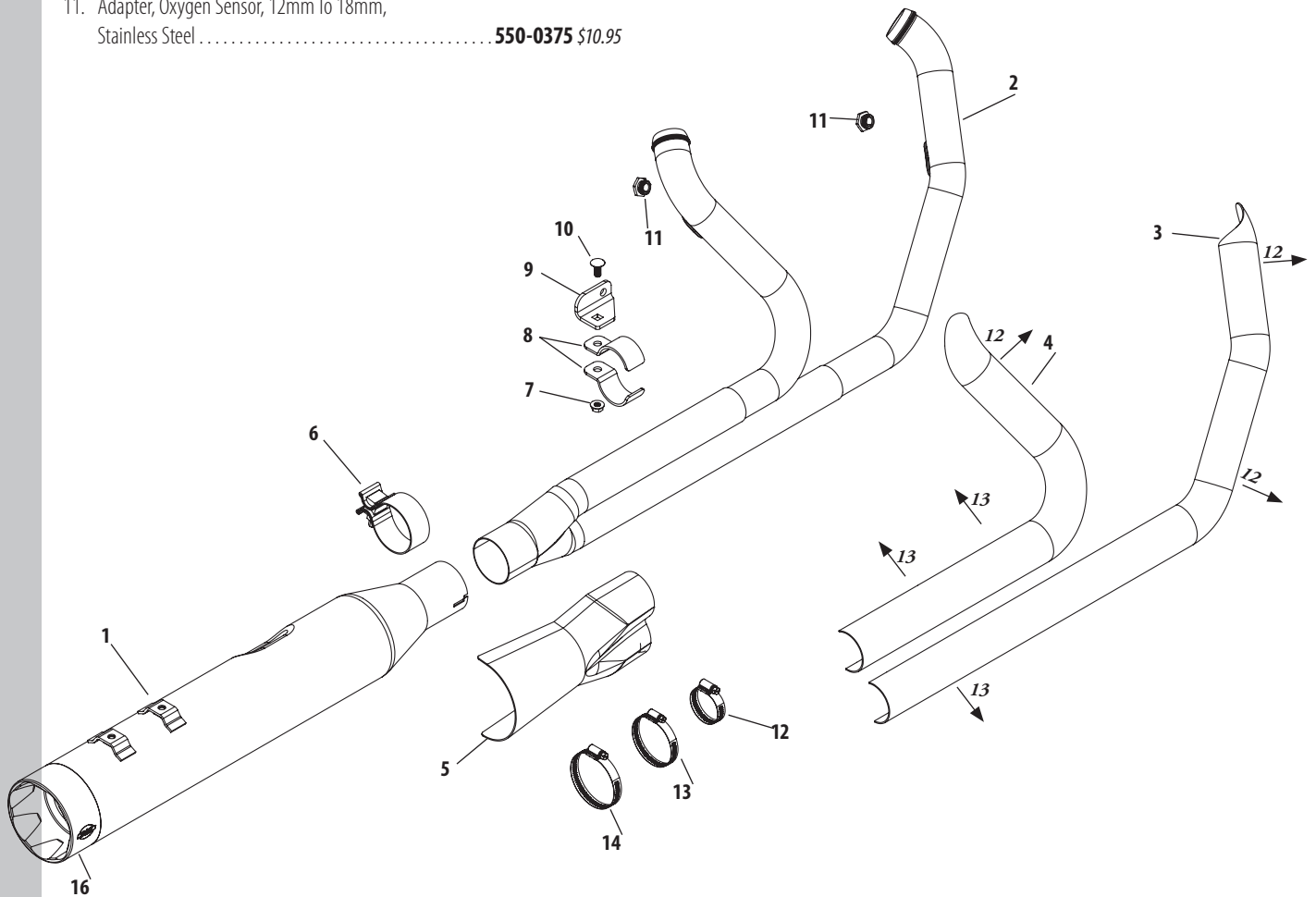


± WARNING: Cancer and Reproductive Harm – www.P65Warnings.ca.gov

Milwaukee Eight®  
2007-2017  
Twin Cam 96"/103"/110"  
1999-2006  
Twin Cam 88"  
1986-2019  
Sportster® & Buell®  
2014-2019  
Street & Street Rod®  
1984-1999  
Evolution®  
1926-1984  
Vintage Engines  
Indian® & Victory® Models  
Tools & Shop Supplies  
Apparel  
Warranty & Company Policy  
& Index

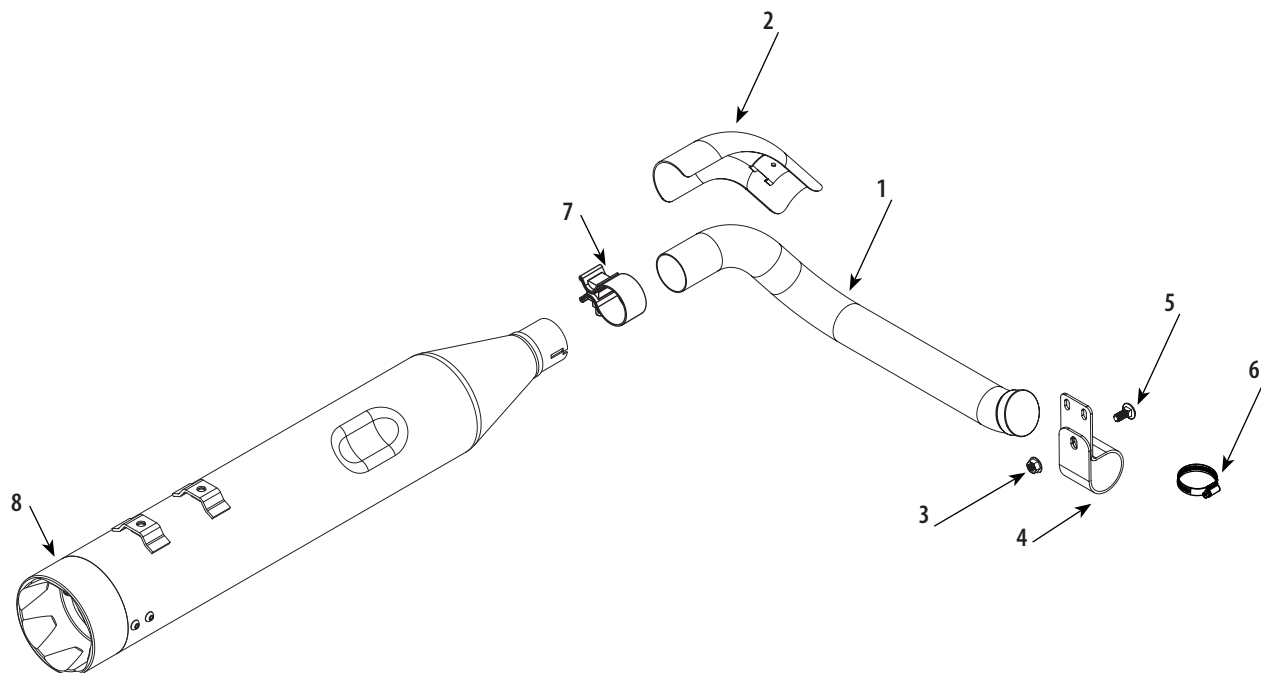
# SIDEWINDER 2:1 EXHAUST SYSTEM REPLACEMENT PARTS

- |  |                             |  |                          |
|--|-----------------------------|--|--------------------------|
| 1. Muffler, Assembly, 2 Into 1, 2017-'18 M8 Touring<br>Race, Chrome .....                          | <b>551-0403</b> ± \$474.95  | 12. Clamp, Hose, Worm Drive, SAE #20 ..... | <b>551-0527</b> \$1.95   |
| Race, Black .....  | <b>551-0394</b> \$509.95    | 13. Clamp, Hose, Worm Drive, SAE #24 ..... | <b>500-0791</b> \$1.95   |
| 50-State, Chrome .....   | <b>551-0529A</b> ± \$849.95 | 14. Clamp, Hose, Worm Drive, SAE #40 ..... | <b>551-0402</b> \$2.95   |
| 50-State, Black .....  | <b>551-0530A</b> \$849.95   | 15. dB reducer (N/S) .....                 | <b>551-0026</b> \$23.95  |
| 2. Header, Assembly, Weldment, 2017-'18 M8 Touring .....   | <b>551-0367</b> \$289.95    | 16. Endcap, Sidewinder 2:1 .....           | <b>551-0395</b> \$139.95 |
| 3. Shield, Front, Heat, 2017-'18 M8 Touring<br>Chrome .....  | <b>551-0385</b> ± \$194.95  |  |                          |
| Black .....  | <b>551-0387</b> \$179.99    |  |                          |
| 4. Shield, Rear, Heat, 2017-'18 M8 Touring<br>Chrome .....   | <b>551-0391</b> ± \$159.95  |  |                          |
| Black .....  | <b>551-0393</b> \$179.99    |  |                          |
| 5. Collector, Heat Shield, 2017-'18 M8 Touring<br>Chrome .....                                     | <b>551-0379</b> ± \$110.95  |  |                          |
| Black .....  | <b>551-0381</b> \$109.95    |  |                          |
| 6. Clamp, Muffler, Band Style, 2.5" .....  | <b>551-0135</b> \$11.95     |  |                          |
| 7. Nut, Flanged, Serrated, 3/8-18 .....  | <b>500-0554</b> \$0.95      |  |                          |
| 8. Bracket, Header Mount, 2 Into 1, Powdercoated,<br>2017-'18 M8 Touring .....                     | <b>551-0397</b> \$14.95     |  |                          |
| 9. Clamp, Header Mount, 2 Into 1, Chrome Plate,<br>Mild Steel, 11 Gauge, 2017-'18 M8 Touring ..... | <b>551-0361</b> ± \$6.95    |  |                          |
| 10. Bolt, Carriage, 3/8-16 x 1-1/4" .....  | <b>500-0553</b> \$0.95      |  |                          |
| 11. Adapter, Oxygen Sensor, 12mm To 18mm,<br>Stainless Steel .....                                 | <b>550-0375</b> \$10.95     |  |                          |



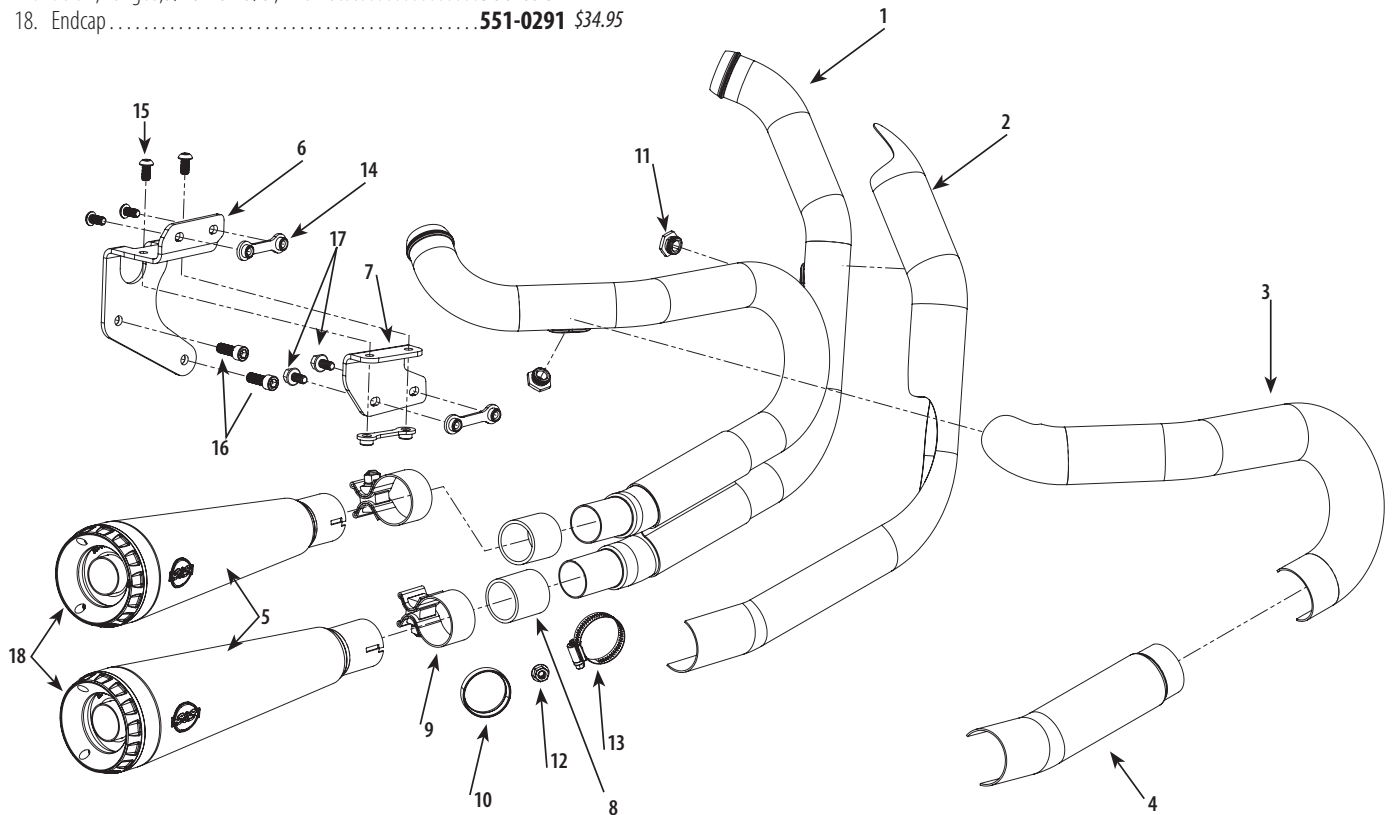
# SHADOW PIPE REPLACEMENT PARTS

- |   |                  |                  |
|---|------------------|------------------|
| 1. Tube, crossover, power tune dual, formed .....           | <b>551-0080</b>  | \$54.95          |
| 2. Shield, left, power tune dual,<br>Chrome .....           | <b>551-0115±</b> | \$49.95          |
| Black .....   | <b>551-0116</b>  | \$58.95          |
| 3. Nut, HSFH, 5/16-18 UNC-2b x .283", Zinc, steel .....     | <b>50-5053-S</b> | \$0.95           |
| 4. Clamp, p-style, crossover, power tune dual header, ..... | <b>551-0121</b>  | \$13.95          |
| 5. Bolt, carriage, 5/16"-18 x 3/4" .....                    | <b>500-0555</b>  | \$0.95           |
| 6. Hose Clamp #20 (2 req.) .....                            | <b>551-0527</b>  | \$1.95           |
| 7. Band style clamp .....                                   | <b>551-0028</b>  | \$10.95          |
| 8. Endcap .....   | <b>551-0994</b>  | Call For Pricing |



# GRAND NATIONAL® 2:2 EXHAUST SYSTEM REPLACEMENT PARTS

1. Pipe, Header, 2 Into 2, Weldment, M8 SOFTAIL ..... **551-0547** \$249.95
2. Front Shield,
  - Black ..... **551-0551** \$189.95
  - Chrome ..... **551-0553±** \$164.95
3. Rear Shield,
  - Black ..... **551-0557** \$179.95
  - Chrome ..... **551-0559±** \$154.95
4. Lower Rear Shield,
  - Black ..... **551-0661** \$94.95
  - Chrome ..... **551-0663±** \$89.95
5. Muffler Body,
  - Race
    - Black ..... **551-0474** \$319.95
    - Chrome ..... **551-0477±** \$319.95
  - 50-state compliant
    - Black ..... **551-0726** \$349.95
    - Chrome ..... **551-0727±** \$349.95
6. Bracket, Mounting, 2 Into 2, Black, M8 Softail® ..... **551-0562** \$19.95
7. Bracket, Bottom, Mounting, 2 Into 2, Black ..... **551-0563** \$14.95
8. Gasket, Muffler, 3.25", 2018 M8 Softail® ..... **551-0360** \$5.95
9. Clamp, Muffler, Band Style, 1.75" ..... **551-0028** \$10.95
10. Gasket, Exhaust, Tapered, Stainless Steel,
  - 1984-up bt, 1986-up xl ..... **106-5029** \$4.95
11. Adapter, Oxygen Sensor, 12mm to 18mm, Stainless Steel **550-0375** \$10.95
12. Nut, HSFH, 5/16-18 UNC-2B x .283", Zinc, Steel ..... **50-5053-S** \$0.95
13. Clamp, Hose, Worm Drive, SAE #20 ..... **551-0527** \$1.95
14. Plate, Nut, 5/16-18 x 2", Clear, Zinc ..... **551-0469** \$2.95
15. Screw, bhc, 5/16-18 x 5/8", Zinc Plated ..... **551-0763** *Call For Pricing*
16. Screw, SHCS, 3/8-16 x 1" ..... **50-0161** \$0.95
17. Screw, Flanged, 5/16-18 x 5/8", Zinc Plated ..... **500-0984** \$0.95
18. Endcap ..... **551-0291** \$34.95



± WARNING: Cancer and Reproductive Harm – www.P65Warnings.ca.gov



# POWER TUNE® DUAL REPLACEMENT HEADER SYSTEM FOR EL DORADO 50-STATE M8 HIGH PERFORMANCE EXHAUST SYSTEM

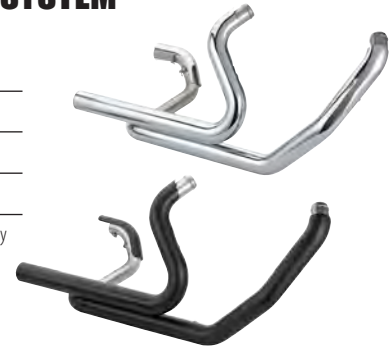
## REPLACEMENT HEADER FOR EL DORADO 50-STATE M8 HIGH PERFORMANCE EXHAUST SYSTEM

Finish	Part #	MSRP
Chrome	<b>550-0704</b>	\$549.95
Black	<b>550-0705</b>	\$649.95

DISCLAIMER: NOT LEGAL FOR SALE OR USE IN CALIFORNIA ON ANY POLLUTION CONTROLLED MOTOR VEHICLE. Not legal for sale or use on any EPA pollution controlled motor vehicle.

This part is emissions compliant only when used as part of a complete El Dorado exhaust package.

**⚠️ WARNING:** Cancer and Reproductive Harm — [www.P65Warnings.ca.gov](http://www.P65Warnings.ca.gov)



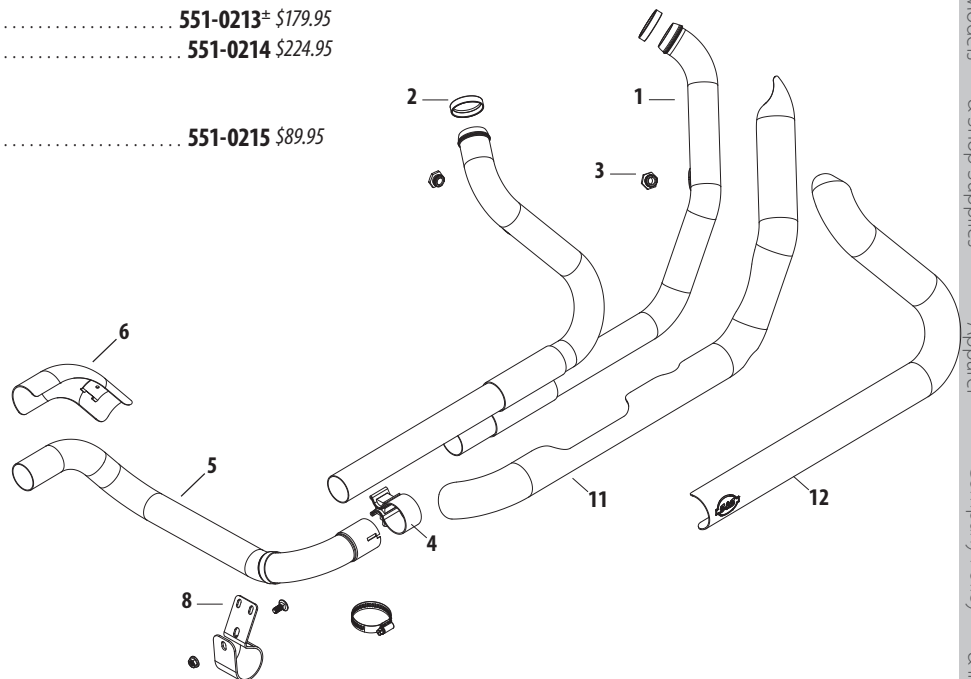
# POWER TUNE® DUAL HEADER REPLACEMENT PARTS FOR EL DORADO 50-STATE M8 HIGH PERFORMANCE EXHAUST SYSTEM

- Pipe, header, power tune dual, header pipe weldment ..... **551-0198** \$224.95
- Gasket, exhaust, tapered, stainless steel, (2 Req) ..... **106-5029** \$4.95
- Adapter, oxygen sensor, 12mm to 18mm, stainless steel (2 Req) ..... **550-0375** \$10.95
- Clamp, muffler, band style ..... **551-0028** \$10.95
- Tube, crossover, power tune dual, formed, ..... **551-0229** \$74.95
- Shield, left, power tune dual,  
Chrome ..... **551-0115** \$49.95  
Black ..... **551-0116** \$58.95
- Nut, HSFH, 5/16-18 UNC-2b x .283", Zinc, steel ..... **50-5053-S** \$0.95
- Clamp, p-style, crossover, power tune dual header ..... **551-0121** \$13.95
- Bolt, carriage, 5/16"-18 x 3/4" ..... **500-0555** \$0.95
- Clamp, hose (8 Req) ..... **551-0124** \$1.95
- Shield, front, power tune dual,  
Chrome ..... **551-0206** \$219.95  
Black ..... **551-0207** \$259.95
- Shield, rear, power tune dual,  
Chrome ..... **551-0213** \$179.95  
Black ..... **551-0214** \$224.95

### Not Shown

Hardware kit, power tune dual, header

Includes items 2, 3, 4, 7, 8, and 9 ..... **551-0215** \$89.95

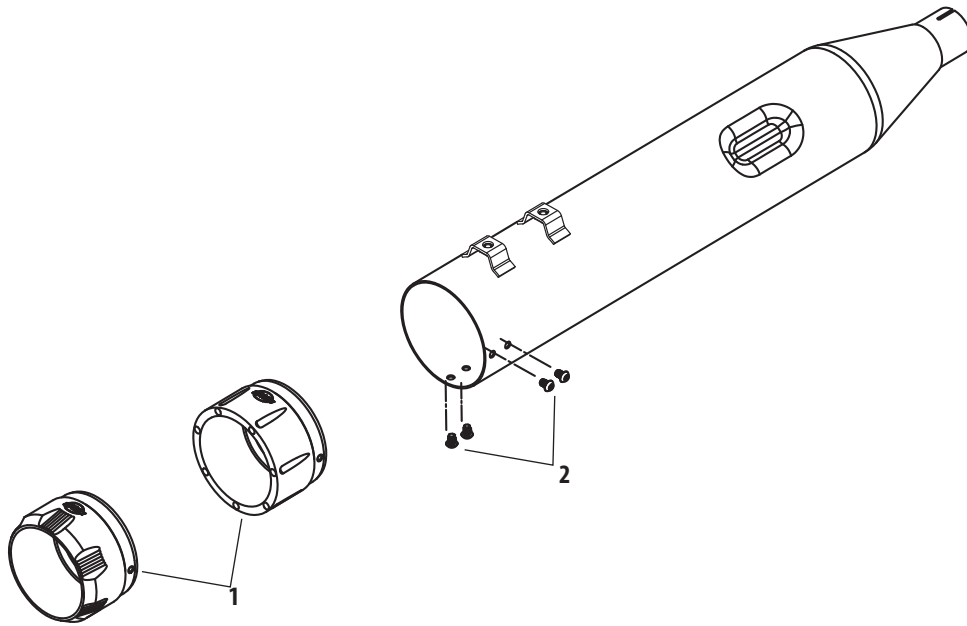


**⚠️ WARNING:** Cancer and Reproductive Harm — [www.P65Warnings.ca.gov](http://www.P65Warnings.ca.gov)

# Mk45 REPLACEMENT MUFFLER SYSTEM

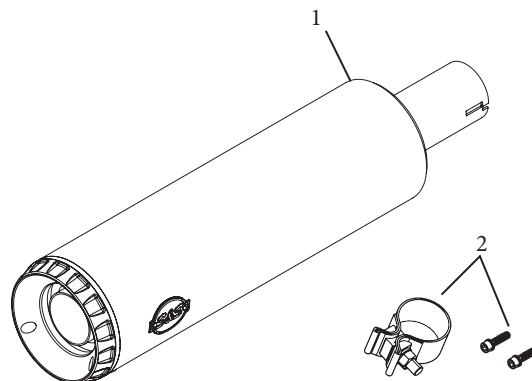
## FOR EL DORADO 50-STATE M8 HIGH PERFORMANCE EXHAUST SYSTEM

1. Endcap  
Thruster Highlight Machined..... **550-0629A** \$159.95  
Tracer Highlight Machined..... **550-0632A** \$159.95
2. Button head cap screw, Stainless, 1/4"-20 x 3/8" ..... **500-0441** \$0.95
3. Hardware kit, muffler clamps and screws (N/S) ..... **551-0027** \$27.95



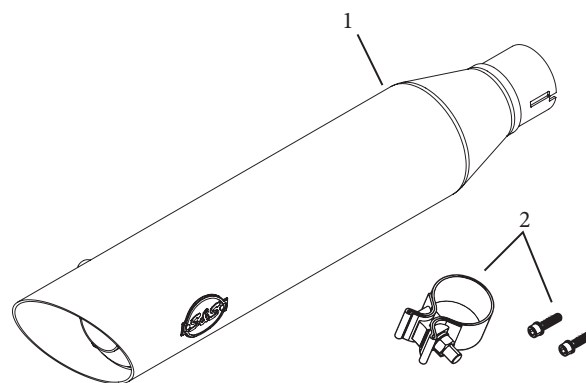
# GRAND NATIONAL® EC SLIP-ON MUFFLER REPLACEMENT PARTS

1. Muffler
  - Upper, Black,  
Street Bob®, Low Rider®, Slim®, Fat Boy® & Breakout® . . . **551-0946** \$549.95
  - Lower, Black,  
Street Bob, Low Rider, Slim, Fat Boy & Breakout . . . . . **551-0948** \$549.95
  - Upper, Chrome,  
Street Bob, Low Rider, Slim, Fat Boy & Breakout . . . . . **551-0947** \$549.95
  - Lower, Chrome,  
Street Bob, Low Rider, Slim, Fat Boy & Breakout . . . . . **551-0949** \$549.95
  - Chrome, Heritage® and Deluxe . . . . . **551-0950** \$549.95
2. Hardware Kit . . . . . **551-0425** \$34.95
3. Gasket (N/S) . . . . . **551-0360** \$5.95



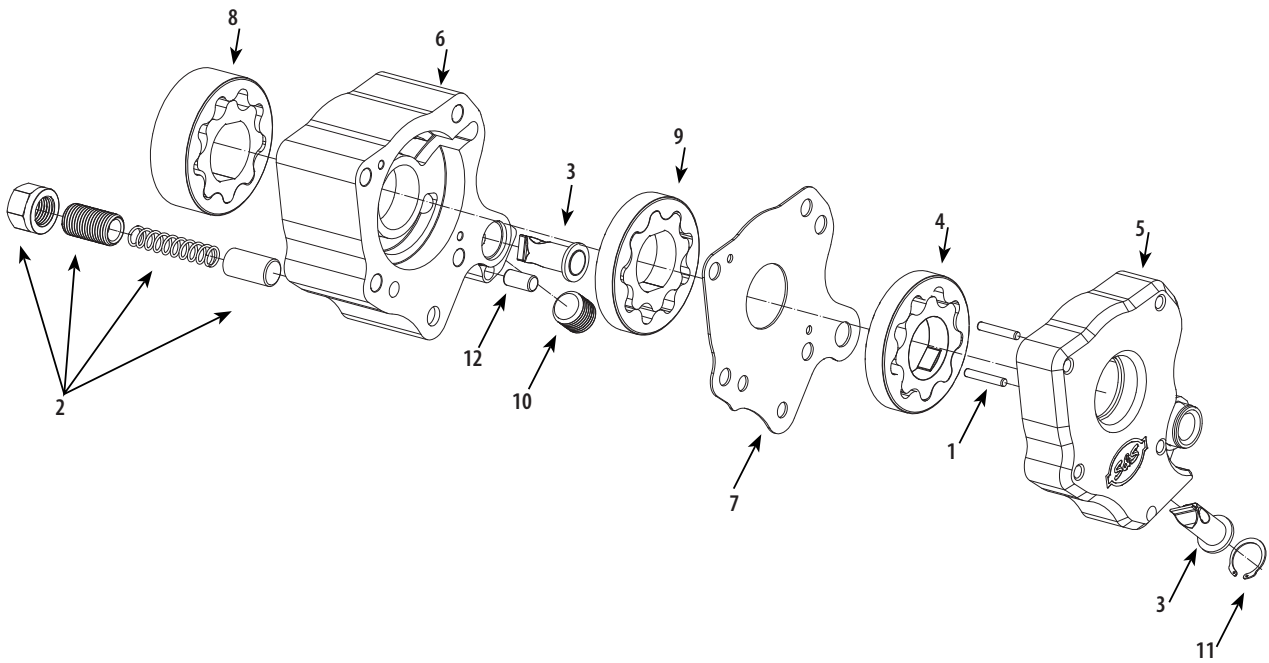
# SLASH-CUT EC SLIP-ON MUFFLER REPLACEMENT PARTS

1. Muffler
  - Upper, Black,  
Street Bob®, Low Rider®, Slim®, Fat Boy® & Breakout® . . . **551-0941** \$519.95
  - Lower, Black,  
Street Bob, Low Rider, Slim, Fat Boy & Breakout . . . . . **551-0943** \$519.95
  - Upper, Chrome,  
Street Bob, Low Rider, Slim, Fat Boy & Breakout . . . . . **551-0942** \$519.95
  - Lower, Chrome,  
Street Bob, Low Rider, Slim, Fat Boy & Breakout . . . . . **551-0944** \$519.95
  - Chrome, Heritage and Deluxe . . . . . **551-0945** \$519.95
2. Hardware Kit . . . . . **551-0425** \$34.95
3. Gasket (N/S) . . . . . **551-0360** \$5.95



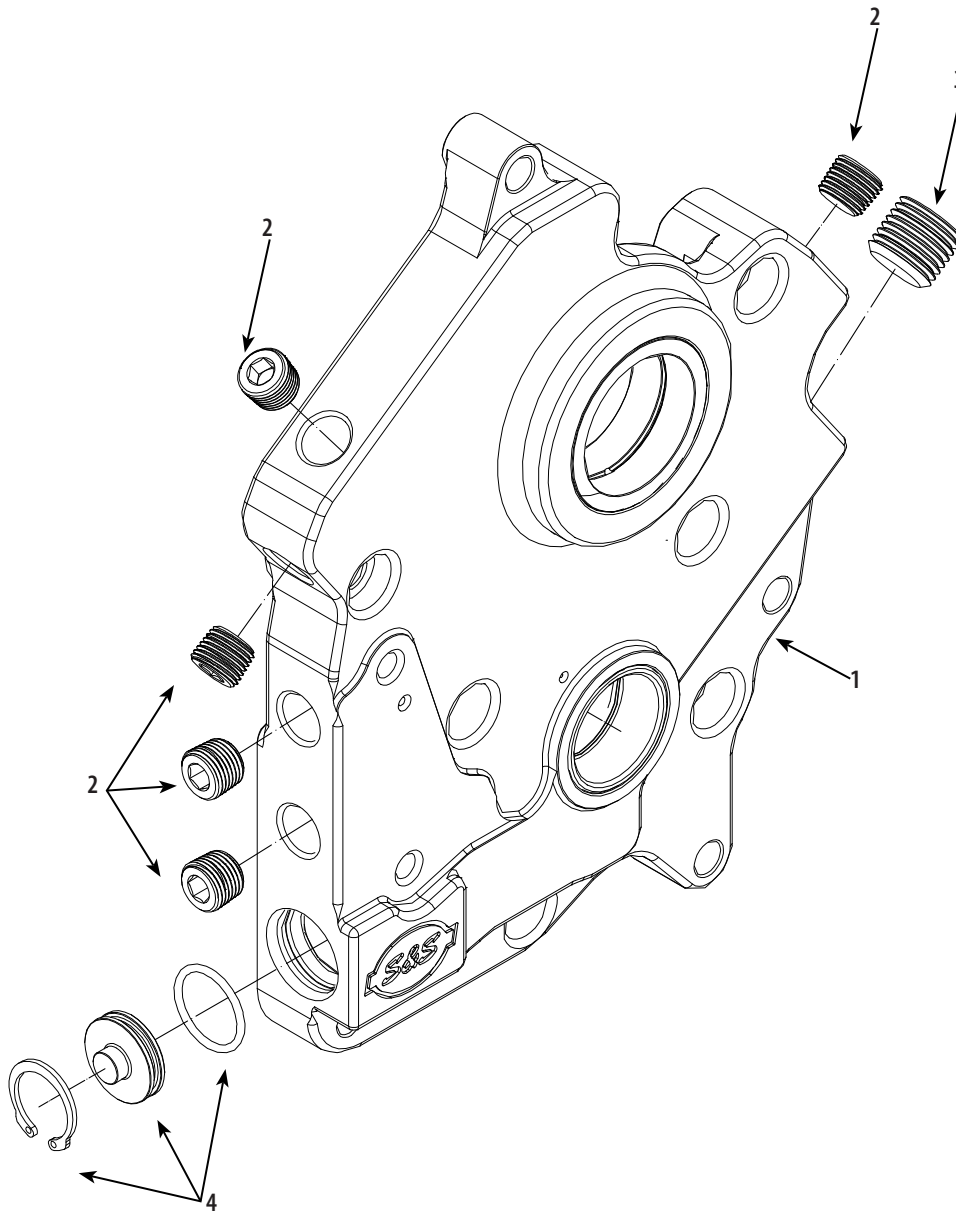
# OIL PUMP REPLACEMENT PARTS

- 1. Dowel pin, 0.125" x 0.750", 2 Pack ..... **500-0967** \$4.95
- 2. Pressure Relief Valve Assembly ..... **500-0949** \$47.95
- 3. Stainless Steel Mesh Screen (2) ..... **310-0546** \$10.95
- 4. Rotor Set, Oil Pump, Flywheel Scavenge ..... **310-0644** \$60.95
- 5. Oil Pump Housing, Return Side ..... **N/A** -
- 6. Oil Pump Housing, Supply Side,  
Oil Cooled ..... **N/A** -
- Oil Pump Housing, Supply Side  
Water Cooled ..... **N/A** -
- 7. Divider Plate ..... **310-0948** \$9.95
- 8. Rotor Set, Oil Pump Oil Cooled Feed Gear ..... **310-0955** \$89.95
- Rotor Set, Oil Pump, Water Cooled Feed Gear ..... **36-7021-S** \$38.95
- 9. Rotor Set, Oil Pump, Cam Chest Scavenge ..... **36-7021-S** \$38.95
- 10. 1/4" Pipe Plug 5 Pack ..... **500-0969** \$7.95
- 11. Retaining Ring 5 Pack ..... **500-0968** \$4.95
- 12. Magnet, .250" x .500" ..... **500-0350** \$7.95



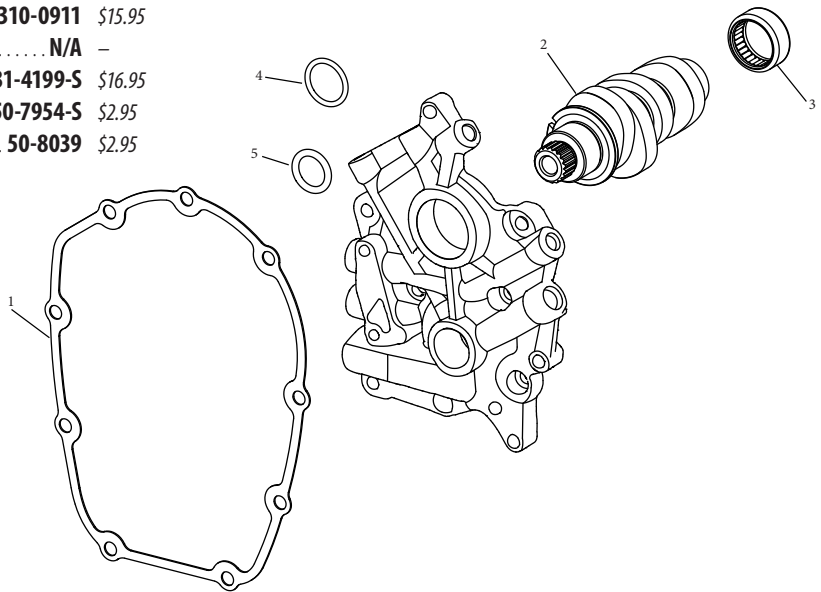
# CAM SUPPORT PLATE REPLACEMENT PARTS

- |  |          |         |
|--|----------|---------|
| 1. Cam support plate .....                           | N/A      | —       |
| 2. 1/8" pipe plug, 45830-48 10 pack .....            | 50-1015  | \$10.95 |
| 3. 1/4" pipe plug, 5 pack .....                      | 500-0969 | \$7.95  |
| 4. M8 cam support plate oil supply plug kit .....    | 500-0966 | \$11.95 |
| 5. Hydraulic tensioner block off plate kit N/S ..... | 310-0962 | \$9.95  |
| 6. O-ring kit N/S .....                              | 500-0850 | \$4.95  |



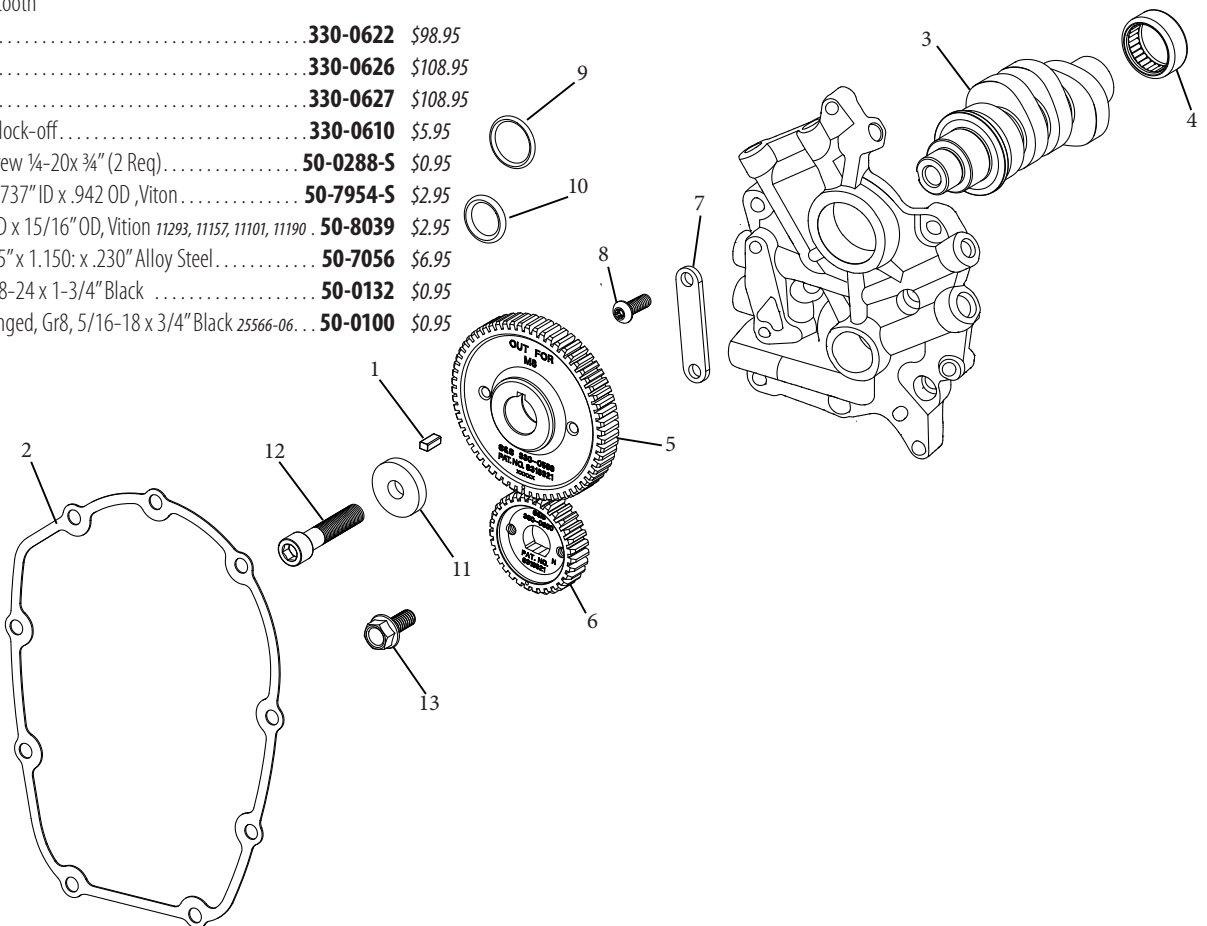
# CAM KIT REPLACEMENT PARTS—CHAIN

- 1. Gasket Cam Cover M8..... **310-0911** \$15.95
- 2. Cam Shaft ..... **N/A** —
- 3. Inner Cam Bearing<sup>9215</sup> ..... **31-4199-S** \$16.95
- 4. O-Ring, (-116) .737" ID x .942 OD, Viton ..... **50-7954-S** \$2.95
- 5. O-Ring, 11/16 ID x 15/16" OD, Viton 11293, 11157, 11101, 11190 . **50-8039** \$2.95



# CAM KIT REPLACEMENT PARTS—GEAR

- 1. Parallel Key ..... **106-1348** \$4.95
- 2. Gasket Cam Cover M8..... **310-0911** \$15.95
- 3. Cam Shaft ..... **N/A** —
- 4. Inner Cam Bearing <sup>9215</sup> ..... **31-4199-S** \$16.95
- 5. Gear, Cam Drive..... **330-0621** \$188.95
- 6. Gear, Pinion 31 tooth  
Standard Size..... **330-0622** \$98.95  
Undersized..... **330-0626** \$108.95  
Oversized..... **330-0627** \$108.95
- 7. Plate, Oil Hole Block-off..... **330-0610** \$5.95
- 8. Button Head Screw ¼-20x ¾" (2 Req.) ..... **50-0288-S** \$0.95
- 9. O-Ring, (-116) .737" ID x .942 OD, Viton ..... **50-7954-S** \$2.95
- 10. O-Ring, 11/16 ID x 15/16" OD, Viton 11293, 11157, 11101, 11190 . **50-8039** \$2.95
- 11. Flat Washer, .405" x 1.150: x .230" Alloy Steel ..... **50-7056** \$6.95
- 12. Screw, SHCS, 3/8-24 x 1-3/4" Black ..... **50-0132** \$0.95
- 13. Screw, HHC, Flanged, Gr8, 5/16-18 x 3/4" Black 25566-06... **50-0100** \$0.95



# 2007–2017 BIG TWINS

## **Performance Kits**

4" Bore Sidewinder Big Bore Kit.....	66
106" Hot Set Up & Big Bore Kit .....	71
107" Big Bore Kit.....	70
110" Pistons and Cams .....	69
117" Big Bore Kit .....	68
124" Hot Set Up Kit.....	67
Performance Kit Overview .....	65
Power Pack.....	83

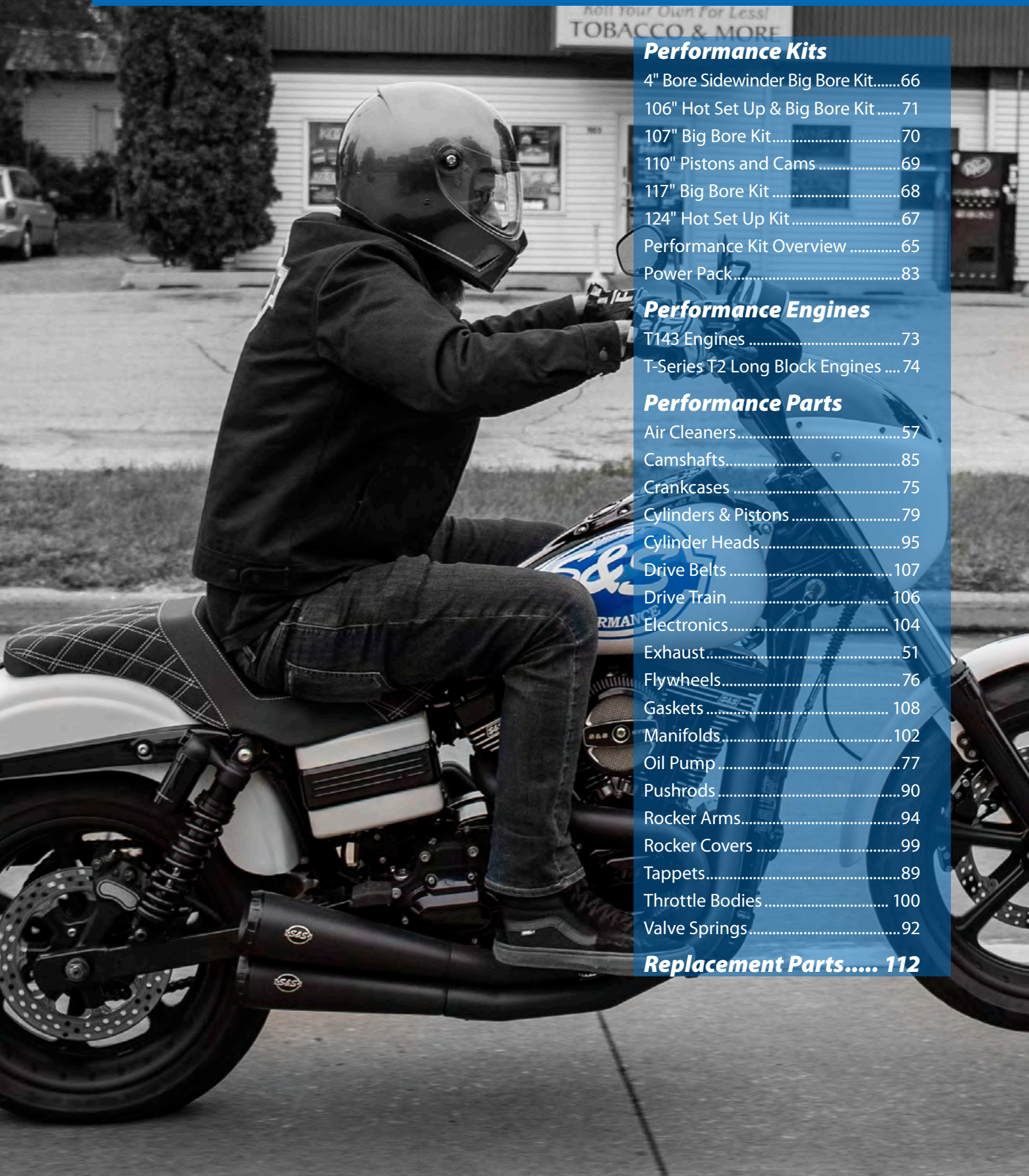
## **Performance Engines**

T143 Engines .....	73
T-Series T2 Long Block Engines ...	74

## **Performance Parts**

Air Cleaners.....	57
Camshafts.....	85
Crankcases .....	75
Cylinders & Pistons .....	79
Cylinder Heads.....	95
Drive Belts .....	107
Drive Train .....	106
Electronics.....	104
Exhaust.....	51
Flywheels.....	76
Gaskets .....	108
Manifolds.....	102
Oil Pump .....	77
Pushrods .....	90
Rocker Arms.....	94
Rocker Covers .....	99
Tappets.....	89
Throttle Bodies .....	100
Valve Springs.....	92

## **Replacement Parts..... 112**





# SIDEWINDER® 2:1 EXHAUST FOR 1995–'16 TOURING MODELS



- 2:1 styling for high-performance baggers
- High-flow cat (550-0771A & 550-0772A)
- Increased power and torque
- Available in show chrome or ceramic black finish
- Machined aluminum endcap
- Includes adapters that allow use of wide band or stock O2 sensors
- Stainless steel stepped header construction
- Some fitments 50-State Legal: CARB EO# K-010-3
- Removable dB reducer included
- Made in the USA!



### SIDEWINDER® 2:1 EXHAUST SYSTEM FOR 2007–2016 FL MODELS — 50-STATE COMPLIANT†

Finish	Part #	MSRP
Chrome with Black Highlighted Machined Endcap	<b>550-0771A</b>	\$899.95
Black with Black Highlighted Machined Endcap	<b>550-0772A</b>	\$929.95

### SIDEWINDER® 2:1 EXHAUST SYSTEM FOR 1995–'09 FL MODELS — 1995–'03, 2007 FL MODELS — CA EMISSIONS LEGAL††

Chrome with Black Highlighted Machined Endcap	<b>550-0776</b>	\$849.95
Black with Black Highlighted Machined Endcap	<b>550-0777</b>	\$879.95

†Exempt from emissions tampering regulations under CARB EO# K-010-3 for all 2007-2016 FL touring models

††DISCLAIMER: NOT LEGAL FOR SALE OR USE IN CALIFORNIA ON ANY POLLUTION CONTROLLED MOTOR VEHICLE. Not legal for sale or use on EPA pollution controlled vehicles originally equipped with catalyst. Qualified manufacturer declared emissions replacement part on FL touring models listed below.

California Models:

Fuel Injected Non-CVO FL Touring Model Years: 1995-2003 and 2007

CVO FL Touring Model Years: 2000-2003

49 State Models:

Fuel Injected Non-CVO FL Touring Model Years: 1995-2005 and 2007-2009

CVO FL Touring Model Years: 2000-2005

⚠️WARNING: Cancer and Reproductive Harm – [www.P65Warnings.ca.gov](http://www.P65Warnings.ca.gov)



REPLACEMENT PARTS: SEE PAGE 140



# GRAND NATIONAL® 2 INTO 2 EXHAUST SYSTEM FOR DYNA® MODELS

## FITMENT

- 2006–2017 Dyna® models

## FEATURES AND BENEFITS

- 2:2 Free-flow design equals solid HP gains
- Hidden crossover provides performance benefits of 2:1
- Full heat shields on both front and rear headers
- Stainless steel stepped header construction
- Race inspired Grand National endcap
- Available in chrome or ceramic black finish
- Oxygen sensor ports allow use of wide band or stock O2 sensors.
- Right side passenger peg relocation bracket available (*part #550-0801 for \$69.95*)
- SAE J2825 Sound Level Compliant
- Removable dB reducers
- Made in USA!



Removable dB reducer

### GRAND NATIONAL® 2:2 EXHAUST SYSTEM FOR 2006–2007 DYNA® MODELS

Finish	Part #	MSRP
Chrome	<b>550-0743</b>	\$969.95
Black	<b>550-0742</b>	\$969.95

### GRAND NATIONAL® 2:2 EXHAUST SYSTEM FOR 2008–2017 DYNA® MODELS — RACE ONLY

Chrome	<b>550-0743</b>	\$969.95
Black	<b>550-0742</b>	\$969.95

DISCLAIMER: NOT LEGAL FOR SALE OR USE IN CALIFORNIA ON ANY POLLUTION CONTROLLED MOTOR VEHICLES. NOT LEGAL FOR SALE OR USE ON EPA POLLUTION CONTROLLED MOTORCYCLES ORIGINALLY EQUIPPED WITH CATALYST.

\*QUALIFIED MANUFACTURER DECLARED EMISSIONS REPLACEMENT PART ON THE DYNA MODELS LISTED BELOW.

CALIFORNIA MODELS: MY 2006-2007, EXCEPT CVO MODELS

49 STATE MODELS: MY 2006-2009, EXCEPT CVO MODELS

⚠ WARNING: Cancer and Reproductive Harm – [www.P65Warnings.ca.gov](http://www.P65Warnings.ca.gov)



REPLACEMENT PARTS: SEE PAGE 141

# EL DORADO TOURING EXHAUST SYSTEM MK45 MUFFLER/HEADER PACKAGE

## FITMENT

- 2009–'16 touring models

## FEATURES AND BENEFITS

- Improved power and torque
- Deep bass rumble throughout the RPM range
- Stainless steel header construction
- Includes adapters for OE or wide band O2 sensors
- O2 sensor location same as stock
- 50-state legal CARB EO# K-010
- SAE J2825 Sound Level Compliant
- High Flow Cats increase exhaust flow for optimum torque
- Catalysts located in mufflers moves heat away from rider
- Show chrome or ceramic black finish
- Highlight Machined Thruster or Tracer endcaps
- Made in USA!



Black w/Thruster



Chrome w/Thruster



Black w/Tracer



Chrome w/Machined Tracer

## EL DORADO 50-STATE COMPLIANT EXHAUST SYSTEM FOR 2009–2016 TOURING MODELS

Description/Finish	Endcap	Part #	MSRP
Chrome	Highlight Machined Thruster	<b>550-0677A</b>	\$1,249.95
Chrome	Highlight Machined Tracer	<b>550-0678A</b>	\$1,249.95
Black	Highlight Machined Thruster	<b>550-0679A</b>	\$1,374.95
Black	Highlight Machined Tracer	<b>550-0680A</b>	\$1,374.95

EXEMPT FROM EMISSIONS TAMPERING REGULATIONS UNDER CARB EO# K-010 FOR ALL 2007-2016 FL TOURING MODELS

**WARNING:** Cancer and Reproductive Harm – [www.P65Warnings.ca.gov](http://www.P65Warnings.ca.gov)

# SLASH CUT SLIP-ON MUFFLERS FOR DYNA® MODELS

## FITMENT

- 1995–2009 Dyna® models with staggered exhaust
- 2008–17 Dyna® models with 2-1-2 exhaust

## FEATURES AND BENEFITS

- Up to 16% more horsepower and 10% more torque (when used with Stealth Air Cleaner Kit)
- Wake up your bike without breaking your budget
- Classic slash cut styling
- Show chrome or ceramic black finish
- SAE J2825 Sound Level Compliant
- 50-state legal
- Removable dB reducer
- Made in USA!



Removable dB reducer



### SLASH CUT MUFFLERS FOR 1995–2009 DYNA® MODELS WITH STAGGERED EXHAUST\*

Finish	Part #	MSRP
Chrome	550-0718	\$299.95
Black	550-0720	\$324.95

### SLASH CUT MUFFLERS FOR 2008–2017 DYNA® MODELS WITH 2-1-2 EXHAUST\*\*

Chrome	550-0722	\$299.95
Black	550-0724	\$324.95

\*DISCLAIMER: NOT LEGAL FOR SALE OR USE IN CALIFORNIA ON ANY POLLUTION CONTROLLED MOTOR VEHICLES. Not legal for sale or use on EPA pollution controlled motorcycles originally equipped with mufflers containing catalyst. \*Qualified Manufacturer Declared Emissions Replacement Part on the Dyna Models Listed Below. California Models: MY 2006–2007, Except CVO models. 49 State Models: MY 1995–2009, Except CVO models

\*\*DISCLAIMER: NOT LEGAL FOR SALE OR USE IN CALIFORNIA ON ANY POLLUTION CONTROLLED MOTOR VEHICLES. Not legal for sale or use on EPA pollution controlled motorcycles originally equipped with mufflers containing catalyst. \*Qualified Manufacturer Declared Emissions Replacement Part on the Dyna Models Listed Below. California Models: Fat Bob MY 2008, 2010–2017; Wide Glide MY 2010–2017; Low Rider S MY 2017. 49 State Models: Fat Bob MY 2008–2017; Wide Glide MY 2010–2017; Low Rider S MY 2017

⚠️ WARNING: Cancer and Reproductive Harm – www.P65Warnings.ca.gov

REPLACEMENT PARTS: SEE PAGE 136

# GRAND NATIONAL® SLIP-ON MUFFLERS FOR DYNA® MODELS

## FITMENT

- 1995–2009 Dyna® models with staggered exhaust

## FEATURES AND BENEFITS

- Up to 17% more horsepower and 9% more torque (when used with Stealth Air Cleaner Kit)
- Race inspired Grand National endcaps
- Show chrome or ceramic black finish
- Deep performance rumble
- SAE J2825 Sound Level Compliant
- 50-state legal
- Removable dB reducer
- Made in USA!



Removable dB reducer



### GRAND NATIONAL® MUFFLERS FOR 1995–2009 DYNA® MODELS WITH STAGGERED EXHAUST†

Finish	Part #	MSRP
Chrome	550-0719	\$399.95
Black	550-0721	\$439.95

### GRAND NATIONAL MUFFLERS FOR 2008–2017 DYNA® MODELS WITH 2-1-2 EXHAUST\*\*

Chrome	550-0723	\$399.95
Black	550-0725	\$439.95

†DISCLAIMER: NOT LEGAL FOR SALE OR USE IN CALIFORNIA ON ANY POLLUTION CONTROLLED MOTOR VEHICLES. Not legal for sale or use on EPA pollution controlled motorcycles originally equipped with mufflers containing catalyst. \*Qualified Manufacturer Declared Emissions Replacement Part on the Dyna Models Listed Below. California Models: MY 2006-2007, Except CVO models. 49 State Models: MY 1995-2009, Except CVO models

\*\*DISCLAIMER: NOT LEGAL FOR SALE OR USE IN CALIFORNIA ON ANY POLLUTION CONTROLLED MOTOR VEHICLES. Not legal for sale or use on EPA pollution controlled motorcycles originally equipped with mufflers containing catalyst. \*Qualified Manufacturer Declared Emissions Replacement Part on the Dyna Models Listed Below. California Models: Fat Bob MY 2008, 2010-2017;

Wide Glide MY 2010-2017; Low Rider S MY 2017. 49 State Models: Fat Bob MY 2008-2017; Wide Glide MY 2010-2017; Low Rider S MY 2017

⚠WARNING: Cancer and Reproductive Harm — www.P65Warnings.ca.gov

REPLACEMENT PARTS: SEE PAGE 137

# Mk45 TOURING MUFFLERS

Mk45 4.5" Touring Mufflers are the result of decades of riding, racing and tuning. Combining both a stainless steel baffle and fiberglass packing, they create a deep rumble and improved horsepower and torque, all while adding a unique look with styled aluminum endcaps.

## FITMENT

- 1995–2016 touring models

## FEATURES AND BENEFITS

- 7 horsepower gain\*
- Bold 4.5" design — with stainless steel baffle and RaceTEX cartridge packing
- Available in show quality chrome or ceramic black finish
- Choose from S&S® Thruster or Tracer end-cap designs in chrome or black
- SAE J2825 Sound Level Compliant
- 50-state legal
- Removable dB reducer
- Made in USA!

\*Tested with S&S Power Tune® Dual Header and Stealth Air Cleaner Kit



### Mk45 4.5" TOURING MUFFLERS W/ENDCAPS

Muffler Body Finish	Endcap Finish & Style	Part #	MSRP
Chrome	Chrome Thruster	<b>550-0620</b>	\$699.95
	Black Highlight Machined Thruster	<b>550-0619</b>	\$699.95
	Chrome Tracer	<b>550-0624</b>	\$699.95
	Black Highlight Machined Tracer	<b>550-0623</b>	\$699.95
Ceramic black	Chrome Thruster	<b>550-0622</b>	\$769.95
	Black Highlight Machined Thruster	<b>550-0621</b>	\$739.95
	Chrome Tracer	<b>550-0626</b>	\$769.95
	Black Highlight Machined Tracer	<b>550-0625</b>	\$739.95

DISCLAIMER: NOT LEGAL FOR SALE OR USE IN CALIFORNIA ON ANY POLLUTION CONTROLLED MOTOR VEHICLES. NOT LEGAL FOR SALE OR USE ON EPA POLLUTION CONTROLLED MOTORCYCLES ORIGINALLY EQUIPPED WITH MUFFLERS CONTAINING CATALYST.

\*QUALIFIED MANUFACTURER DECLARED EMISSIONS REPLACEMENT PART ON THE FL TOURING MODELS LISTED BELOW.

CALIFORNIA FL TOURING MODELS: FUEL INJECTED MY 1995-2003, 2007, AND 2009-2016; CVO MY 2000-2003, AND 2009-2016.

49 STATE FL TOURING MODELS: CARBURETED MY 1995-2005; FUEL INJECTED MY 1995-2005, AND 2007-2016; CVO MY 2000-2005, AND 2009-2016

⚠ WARNING: Cancer and Reproductive Harm — www.P65Warnings.ca.gov



Removable dB reducer



550-0620



550-0619



550-0624



550-0623



550-0622



550-0621



550-0626



550-0625

REPLACEMENT PARTS: SEE PAGE 138

# SLASH CUT 4" SLIP-ON MUFFLERS

## FITMENT

- 1995–2016 Harley-Davidson® touring models with non-catalyst mufflers
- 2009–'19 Tri Glide® models

## FEATURES AND BENEFITS

- Show quality chrome or ceramic black finish
- Economical price
- High flow baffle
- Aggressive sound & excellent HP
- Excellent clearance on trike models
- SAE J2825 Sound Level Compliant
- Removable dB reducer
- Made in USA!



Removable dB reducer

### SLASH CUT 4" TOURING MUFFLERS FOR 1995–2016 BIG TWINS AND 2009–'19 TRI GLIDE® MODELS

Finish	Part #	MSRP
Chrome	<b>550-0691</b>	\$459.95
Black	<b>550-0692</b>	\$499.95

DISCLAIMER: NOT LEGAL FOR SALE OR USE IN CALIFORNIA ON ANY POLLUTION CONTROLLED MOTOR VEHICLES. Not legal for sale or use on EPA pollution controlled motorcycles originally equipped with mufflers containing catalyst. \*Qualified manufacturer declared emissions replacement part on the FL touring models listed below. California FL Touring Models: Fuel Injected MY 1995–2003, 2007, and 2009–2017; CVO MY 2000–2003, and 2009–2017, 49 State FL touring Models: Carbureted MY 1995–2005; Fuel Injected MY 1995–2005, and 2007–2017; CVO MY 2000–2005, and 2009–2017

⚠️ WARNING: Cancer and Reproductive Harm – [www.P65Warnings.ca.gov](http://www.P65Warnings.ca.gov)

REPLACEMENT PARTS: [SEE PAGE 139](#)

# GRAND NATIONAL® 4" SLIP-ON MUFFLERS

## FITMENT

- 1995–2016 Harley-Davidson® touring models with non-catalyst mufflers  
(except 2010 Road Glide® and Street Glide® using OEM 2:1 Header)
- 2009–'19 Tri Glide® models

## FEATURES AND BENEFITS

- Show quality chrome or ceramic black finish
- Race inspired Grand National endcap
- High flow baffle
- Aggressive sound & excellent HP
- SAE J2825 Sound Level Compliant
- 50-state legal on most models
- Removable dB reducer
- Made in USA!



Removable dB reducer



# Grand National

## GRAND NATIONAL® 4" MUFFLERS FOR 1995–2016 BIG TWINS AND 2009–'19 TRI GLIDE® MODELS

Finish	Part #	MSRP
Chrome	<b>550-0689</b>	\$499.95
Black	<b>550-0690</b>	\$539.95

DISCLAIMER: NOT LEGAL FOR SALE OR USE IN CALIFORNIA ON ANY POLLUTION CONTROLLED MOTOR VEHICLES. Not legal for sale or use on EPA pollution controlled motorcycles originally equipped with mufflers containing catalyst. \*Qualified manufacturer declared emissions replacement part on the FL touring models listed below. California FL Touring Models: Fuel Injected MY 1995-2003, 2007, and 2009-2016; CVO MY 2000-2003, and 2009-2016, 49 State FL touring Models: Carbureted MY 1995-2005; Fuel Injected MY 1995-2005, and 2007-2016; CVO MY 2000-2005, and 2009-2016

⚠ WARNING: Cancer and Reproductive Harm – www.P65Warnings.ca.gov

REPLACEMENT PARTS: [SEE PAGE 139](#)

# POWER TUNE® DUAL HEADERS

## FITMENT

- Non-catalyst equipped Harley-Davidson® touring models†
- Harley-Davidson® Tri Glide® models††

## FEATURES AND BENEFITS

- Adds up to 8 horsepower over stock header pipes
- Independent dual look with hidden crossover
- Exclusive design moves the rear cylinder header away from the passenger to reduce radiated heat
- Full chrome or ceramic black heat shielding with 220° coverage
- Updated styling to give the bike a modern look
- Oxygen sensor bungs†
- Spherical inlet design for improved sealing and exhaust gasket durability
- Hardware included to mount crossover pipe
- Exhaust port gaskets included
- All hardware included
- Made in USA!



550-0003A



550-0142A

## NOTES

Fuel injection tuning is not required with this product but is highly recommended for best results.

2010 Road Glide® and Street Glide® using OEM 2:1 Header require 1 of each HD® part 65723-85 mounting bracket and 65724-85A rubber mount for left side muffler mounting.

## POWER TUNE® DUAL HEADERS

Fitment	Finish	Part #	MSRP
1995–'08† big twins	Chrome	<b>550-0003A**</b>	\$549.95
	Black	<b>550-0142A**</b>	\$649.95
2009–'16 non-catalyst equipped touring and 2009–'18 Tri Glide†† models	Chrome	<b>550-0004B***</b>	\$549.95
	Black	<b>550-0143B***</b>	\$649.95

†Has 18mm sensor fittings in the stock locations for 2007–'08 bikes. If not equipped with oxygen sensors, the ports can be used for tuning. Plugs are included if ports are not used.

††Requires the Trike Adaptor Kit. See chart below.

\*\*DISCLAIMER: NOT LEGAL FOR SALE OR USE IN CALIFORNIA ON ANY POLLUTION CONTROLLED MOTOR VEHICLE. NOT LEGAL FOR SALE OR USE ON EPA POLLUTION CONTROLLED VEHICLES ORIGINALLY EQUIPPED WITH CATALYST.

\*QUALIFIED MANUFACTURER DECLARED EMISSIONS REPLACEMENT PART ON FL TOURING MODELS LISTED BELOW.

CALIFORNIA MODELS: FL TOURING FUEL INJECTED MY 1995-2003, AND 2007. CVO FL TOURING MY 2000-2003.

49 STATE MODELS: FL TOURING CARBURETED MY 1995-2005. FL TOURING FUEL INJECTED MY 1995-2005 AND 2007-2008. CVO FL TOURING MY 2000-2005.

\*\*\*DISCLAIMER: NOT LEGAL FOR SALE OR USE IN CALIFORNIA ON ANY POLLUTION CONTROLLED MOTOR VEHICLE. NOT LEGAL FOR SALE OR USE ON EPA POLLUTION CONTROLLED MOTORCYCLES ORIGINALLY EQUIPPED WITH A CATALYST EXHAUST

\*QUALIFIED MANUFACTURER DECLARED EMISSIONS COMPLIANT PART FOR 2009 HARLEY-DAVIDSON 49-STATE NON-CVO FL TOURING MODELS ONLY

⚠️WARNING: Cancer and Reproductive Harm – www.P65Warnings.ca.gov



## ††TRIKE ADAPTOR KIT

Fitment	Finish	Part #	MSRP
2009, 2014–'16 Tri Glide® models	Chrome	<b>550-0799</b>	\$69.95

⚠️WARNING: Cancer and Reproductive Harm – www.P65Warnings.ca.gov

REPLACEMENT PARTS: SEE PAGE 142

## SPECIAL NOTES

It may be necessary to re-jet the carburetor or recalibrate the fuel injection system for best performance when a change is made in the exhaust system.

Dyno results are from tests performed at the S&S® Research and Development facility in Viola, Wisconsin.





# STEALTH TEARDROP AIR CLEANER KITS



## FEATURES AND BENEFITS

- Iconic look
- Same size as the original
- Traditional dimpled cover with S&S stinger on the inside creates smooth path for air
- Gloss black or chrome
- Well-known S&S Cycle Stealth kit for great performance and easy install
- Backplate has air horn style radiused inlet to reduce turbulence
- Slasher style available as cover

### STEALTH TEARDROP AIR CLEANER KITS EXEMPT FROM EMISSIONS TAMPERING REGULATIONS UNDER CARB EO# D-355-24

Fitment	Fuel System	Finish	Part #	MSRP
2001–'17 big twin (except 2017 touring models & Throttle by Wire) Includes Stealth AC Kit 170-0300B	Stock EFI, Delphi® EFI	Chrome	<b>170-0528</b> ±	\$304.95
		Gloss Black	<b>170-0529</b>	\$304.95
2008–'16 touring, '16–'17 ST® (except Tri-Glide® & CVO® Models) Includes Stealth AC Kit 170-0301B	Throttle by Wire	Chrome	<b>170-0522</b> ±	\$304.95
		Gloss Black	<b>170-0523</b>	\$304.95

± ⚠️ WARNING: Cancer and Reproductive Harm – www.P65Warnings.ca.gov

### STEALTH TEARDROP COVER ONLY

Chrome	<b>170-0530</b>	\$167.95
Gloss Black	<b>170-0531</b>	\$167.95
Slasher – Chrome	<b>170-0532</b>	\$177.95
Slasher – Gloss Black	<b>170-0533</b>	\$177.95

REPLACEMENT PARTS: SEE PAGE 129

# CARBON FIBER STEALTH AIR CLEANER KITS



## FEATURES & BENEFITS

- Strong and lightweight
- Corrosion resistance
- Simple installation
- Also available as cover only



**CARBON FIBER TEARDROP COVER ONLY**

**170-0501**

\$299.95

### CARBON FIBER TEARDROP KIT



Fitment	Part #	MSRP
2001–'17 bt (except Throttle by Wire)	<b>170-0499</b>	\$469.95
2008–'16 touring models and 2016–'17 Softail® models	<b>170-0500</b>	\$469.95

Includes Stealth Air Cleaner 170-0300B which is exempt from emissions tampering regulations under CARB EO# D-355-24 when used on 2001-2017 fuel injected models

# STEALTH AIR CLEANER KITS

NEW STEALTH TEARDROP KITS  
SEE PAGE 57



- 1999–'17 big twins (except 2017 touring models)
- Air directional stinger cone in the filter
- Pre-filters are available — See page 64
- Use with any of several S&S designed covers — See page 61
- High flow (1" taller) filter kit available — See page 64
- Backplate adaptor for Rushmore covers also available — See page 64



## MINI TEARDROP PLUS STEALTH AIR CLEANER KIT EXEMPT FROM EMISSIONS TAMPERING REGULATIONS UNDER CARB EO# D-355-24

Fitment	Fuel System	Finish	Part #	MSRP
2001–'17 big twin (except 2017 touring models & Throttle by Wire) Includes Stealth AC Kit 170-0300B	Stock EFI, Delphi® EFI	Chrome	170-0441±	\$304.95
		Gloss Black	170-0442	\$304.95
2008–'16 touring, '16–'17 ST® (except Tri-Glide® & CVO® Models) Includes Stealth AC Kit 170-0301B	Throttle by Wire	Chrome	170-0437±	\$304.95
		Gloss Black	170-0438	\$304.95

± ⚠️ WARNING: Cancer and Reproductive Harm — www.P65Warnings.ca.gov



## AIR 1 COVER PLUS STEALTH AIR CLEANER KIT EXEMPT FROM EMISSIONS TAMPERING REGULATIONS UNDER CARB EO# D-355-24

Application	Fuel System	Part #	MSRP
2001–'17 big twin (except 2017 touring models & Throttle By Wire) Includes Stealth AC Kit 170-0300B	Stock EFI Delphi®	170-0478	\$304.95
2008–'17 big twin (except 2017 touring models, Tri-Glide® & CVO® Models) Includes Stealth AC Kit 170-0301B	Throttle By Wire	170-0485	\$304.95



## TRI-SPOKE COVER PLUS STEALTH AIR CLEANER KITS EXEMPT FROM EMISSIONS TAMPERING REGULATIONS UNDER CARB EO# D-355-24

Application	Fuel System	Part #	MSRP
2001–'17 big twin (except 2017 touring models & Throttle By Wire) Includes Stealth AC Kit 170-0300B	Stock EFI Delphi®	170-0476	\$304.95
2008–'17 big twin (except 2017 touring models, Tri-Glide® & CVO® Models) Includes Stealth AC Kit 170-0301B	Throttle By Wire	170-0483	\$304.95



## TORKER COVER PLUS STEALTH AIR CLEANER KIT EXEMPT FROM EMISSIONS TAMPERING REGULATIONS UNDER CARB EO# D-355-24

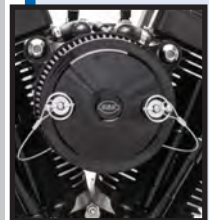
Application	Fuel System	Part #	MSRP
2001–'17 big twin (except 2017 touring models & Throttle By Wire) Includes Stealth AC Kit 170-0300B	Stock EFI Delphi®	170-0477	\$304.95
2008–'17 big twin (except 2017 touring models, Tri-Glide® & CVO® Models) Includes Stealth AC Kit 170-0301B	Throttle By Wire	170-0484	\$304.95



## AIRSTREAM COVER PLUS STEALTH AIR CLEANER KIT EXEMPT FROM EMISSIONS TAMPERING REGULATIONS UNDER CARB EO# D-355-24

Application	Fuel System	Finish	Part #	MSRP
2001–'17 big twin (except 2017 touring models & Throttle By Wire) Includes Stealth AC Kit 170-0300B	Stock EFI Delphi®	Chrome	170-0479±	\$304.95
		Gloss Black	170-0480	\$304.95
2008–'17 big twin (except 2017 touring models, Tri-Glide® & CVO® Models) Includes Stealth AC Kit 170-0301B	Throttle By Wire	Chrome	170-0486±	\$304.95
		Gloss Black	170-0487	\$304.95

± ⚠️ WARNING: Cancer and Reproductive Harm — www.P65Warnings.ca.gov



## MUSCLE COVER PLUS STEALTH AIR CLEANER KIT EXEMPT FROM EMISSIONS TAMPERING REGULATIONS UNDER CARB EO# D-355-24

Application	Fuel System	Finish	Part #	MSRP
2001–'17 big twin (except 2017 touring models & Throttle By Wire) Includes Stealth AC Kit 170-0300B	Stock EFI Delphi®	Chrome	170-0481±	\$314.95
		Gloss Black	170-0482	\$314.95
2008–'17 big twin (except 2017 touring models, Tri-Glide® & CVO® Models) Includes Stealth AC Kit 170-0301B	Throttle By Wire	Chrome	170-0488±	\$314.95
		Gloss Black	170-0489	\$314.95

± ⚠️ WARNING: Cancer and Reproductive Harm — www.P65Warnings.ca.gov



## STEALTH AIR CLEANER KITS — NO COVER EXEMPT FROM EMISSIONS TAMPERING REGULATIONS UNDER CARB EO# D-355-24

Application	Fuel System	Part #	MSRP
2001–'17 big twin (except 2017 touring models & Throttle By Wire)	Stock EFI Delphi®	170-0300B	\$157.95
2008–'17 big twin (except 2017 touring models, Tri-Glide® & CVO® Models)	Throttle By Wire	170-0301B	\$157.95

# CON'T STEALTH AIR CLEANER KITS

## NOTE

Fuel injection tuning is not required for this product.



### STEALTH AIR CLEANER KITS WITH CHROME AIRSTREAM COVER<sup>±</sup>

Application	Fuel System	Part #	MSRP
1999–2017 big twins (except '99 Softail <sup>®</sup> carb & Throttle by Wire)	Stock CV/EFI Delphi <sup>®</sup>	<b>170-0056</b>	\$304.95
2008–2017 big twins (except 2017 touring models)	Throttle by Wire	<b>170-0054</b>	\$304.95

DISCLAIMER: NOT LEGAL FOR SALE OR USE IN CALIFORNIA ON ANY POLLUTION CONTROLLED MOTOR VEHICLE. NOT LEGAL FOR SALE OR USE ON ANY EPA POLLUTION CONTROLLED MOTOR VEHICLE.

<sup>±</sup> WARNING: Cancer and Reproductive Harm – www.P65Warnings.ca.gov



### STEALTH AIR CLEANER KITS WITH CHROME MUSCLE COVER<sup>±</sup>

Application	Fuel System	Part #	MSRP
1999–2017 big twins (except '99 Softail <sup>®</sup> carb & Throttle by Wire)	Stock CV/EFI Delphi <sup>®</sup>	<b>170-0106</b>	\$314.95
2008–2017 big twins (except 2017 touring models)	Throttle by Wire	<b>170-0099</b>	\$314.95

DISCLAIMER: NOT LEGAL FOR SALE OR USE IN CALIFORNIA ON ANY POLLUTION CONTROLLED MOTOR VEHICLE. NOT LEGAL FOR SALE OR USE ON ANY EPA POLLUTION CONTROLLED MOTOR VEHICLE.

<sup>±</sup> WARNING: Cancer and Reproductive Harm – www.P65Warnings.ca.gov



### STEALTH AIR CLEANER KITS WITH CHROME BOBBER-DISHED COVER<sup>±</sup>

Application	Fuel System	Part #	MSRP
1999–2017 big twins (except '99 Softail <sup>®</sup> carb & Throttle by Wire)	Stock CV/EFI Delphi <sup>®</sup>	<b>170-0104</b>	\$272.95
2008–2017 big twins (except 2017 touring models)	Throttle by Wire	<b>170-0097</b>	\$272.95

DISCLAIMER: NOT LEGAL FOR SALE OR USE IN CALIFORNIA ON ANY POLLUTION CONTROLLED MOTOR VEHICLE. NOT LEGAL FOR SALE OR USE ON ANY EPA POLLUTION CONTROLLED MOTOR VEHICLE.

<sup>±</sup> WARNING: Cancer and Reproductive Harm – www.P65Warnings.ca.gov



### STEALTH AIR CLEANER KITS WITH CHROME BOBBER-DOMED COVER<sup>±</sup>

Application	Fuel System	Part #	MSRP
1999–2017 big twins (except '99 Softail <sup>®</sup> carb & Throttle by Wire)	Stock CV/EFI Delphi <sup>®</sup>	<b>170-0105</b>	\$272.95
(except 2017 touring models)	Throttle by Wire	<b>170-0098</b>	\$270.95

DISCLAIMER: NOT LEGAL FOR SALE OR USE IN CALIFORNIA ON ANY POLLUTION CONTROLLED MOTOR VEHICLE. NOT LEGAL FOR SALE OR USE ON ANY EPA POLLUTION CONTROLLED MOTOR VEHICLE.

<sup>±</sup> WARNING: Cancer and Reproductive Harm – www.P65Warnings.ca.gov



### STEALTH AIR CLEANER KITS\*

Application	Fuel System	Part #	MSRP
1999–2017 big twins (except '99 Softail <sup>®</sup> carb & Throttle by Wire)	Stock CV/EFI Delphi <sup>®</sup>	<b>170-0060</b>	\$157.95
2008–2017 big twins (except 2017 touring models)	Throttle by Wire	<b>170-0061</b>	\$157.95

\*These kits do not contain covers – Choose an S&S cover or use your stock Twin Cam 88<sup>°</sup>, 96<sup>™</sup> or 103<sup>™</sup> cover

DISCLAIMER: NOT LEGAL FOR SALE OR USE IN CALIFORNIA ON ANY POLLUTION CONTROLLED MOTOR VEHICLE. NOT LEGAL FOR SALE OR USE ON ANY EPA POLLUTION CONTROLLED MOTOR VEHICLE.

REPLACEMENT PARTS: SEE PAGE 129

# STEALTH AIR CLEANER KITS FOR S&S ENGINES

## STEALTH AIR CLEANER KITS FOR S&S ENGINES

Fitment	Fuel System	Part #	MSRP
1999–2017 big twin models (except '17 touring models) & S&S T-Series Engines	S&S 66mm Throttle Hog	<b>170-0165</b>	\$167.95
1999–2017 big twin models (except '17 touring models) & S&S T-Series Engines	S&S 58mm Throttle Hog	<b>170-0164</b>	\$167.95
1995–1999 S&S Super Stock Engines	S&S Single Bore VFI 52mm Throttle Bodies	<b>170-0287</b>	\$209.95
1995–1999 EFI big twin models	S&S Single Bore VFI 58mm Throttle Bodies	<b>170-0283</b>	\$209.95
1999–2017 EFI big twin models	S&S Single Bore VFI 58mm Throttle Bodies	<b>170-0284</b>	\$209.95
T124 1999–'06 big twin models (except '06 Dyna® models) (Engines produced after 2013)	S&S E or G Carburetor	<b>170-0058</b>	\$157.95
T124 1999–'06 big twin models (except '06 Dyna® models) (Engines produced after 2013)	Stock CV/EFI Delphi®	<b>170-0060</b>	\$157.95
T111 1999–'06 big twin models (except '06 Dyna® models) (Engines produced after 2013)	S&S E or G Carburetor	<b>170-0058</b>	\$157.95
T111 1999–'06 big twin models (except '06 Dyna® models) (Engines produced after 2013)	Stock CV/EFI Delphi®	<b>170-0060</b>	\$157.95

DISCLAIMER: NOT LEGAL FOR SALE OR USE IN CALIFORNIA ON ANY POLLUTION CONTROLLED MOTOR VEHICLE. Not legal for sale or use on any EPA pollution controlled motor vehicle.

## EC STEALTH AIR CLEANER KITS



- 110" Harley-Davidson® Dyna® & Softail® Models up to 2017 (e9 11002G)
- 103" Harley-Davidson Dyna & Softail Models up to 2017 (e9 11003G)



### EC STEALTH AC KITS

Cable Throttle Body 103" HD Dyna® & Softail® models up to 2017	<b>170-0331</b>	\$214.95
Throttle by Wire 103" HD Dyna® & Softail models up to 2017	<b>170-0332</b>	\$214.95
Cable Throttle Body 110" HD Dyna & Softail models up to 2017	<b>170-0333</b>	\$214.95
Throttle by Wire 110" HD Dyna & Softail models up to 2017	<b>170-0334</b>	\$214.95t

# STEALTH AIR CLEANER KIT COVERS

NEW STEALTH TEARDROP COVERS SEE PAGE 57



Carbon Fiber



Mini in Chrome



Mini in Gloss Black



Tri-Spoke



Torker



Air 1



Airstream in Chrome



Airstream in Gloss Black



Muscle in Chrome



Muscle in Gloss Black



Bobber-dished



111



124



143

## STEALTH COVERS

Carbon Fiber	Mini		Tri-Spoke	Torker	Air 1	Bobber-Dished	
Black	Chrome	Gloss Black	Gloss Black w/Highlights	Gloss Black w/Highlights	Gloss Black w/Highlights	Chrome	Wrinkle Black
<b>170-0501</b>	<b>170-0367<sup>±</sup></b>	<b>170-0366</b>	<b>170-0210</b>	<b>170-0206</b>	<b>170-0214</b>	<b>170-0119<sup>±</sup></b>	<b>170-0123</b>
\$299.95	\$167.95	\$167.95	\$157.95	\$157.95	\$157.95	\$125.95	\$125.95

Airstream		Muscle		Displacement			Bobber-Domed	
Chrome	Gloss Black	Chrome	Gloss Black with Highlighted Logo	111	124	143	Chrome	Wrinkle Black
<b>170-0118<sup>±</sup></b>	<b>170-0396</b>	<b>170-0121<sup>±</sup></b>	<b>170-0463</b>	<b>170-0319</b>	<b>170-0321</b>	<b>170-0323</b>	<b>170-0120<sup>±</sup></b>	<b>170-0124</b>
\$157.95	\$157.95	\$178.95	\$178.95	\$171.95	\$171.95	\$171.95	\$125.95	\$125.95

<sup>±</sup> ⚠️ WARNING: Cancer and Reproductive Harm – www.P65Warnings.ca.gov

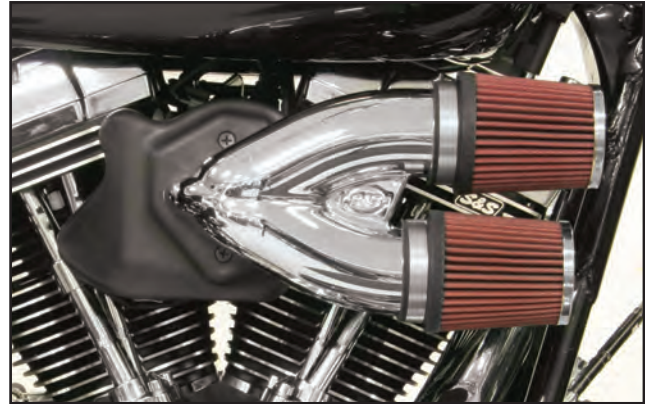
# SINGLE BORE TUNED INDUCTION SYSTEM

## FITMENT

- Single bore intake big twin models including Harley-Davidson® Tri Glide® models (except 2007-'08 FXDWG & 2009 FXDC/FXDF)

## FEATURES AND BENEFITS

- Bolt-on performance—over twice the filtering area over stock intake system
- Increases horsepower and torque across the rpm range using air column inertia and carefully timed gas dynamic pressure waves
- Smooth intake tract of carefully selected tuned lengths increases performance
- High flow washable and reusable cotton media provides performance, protection, and economy
- Available in wrinkle black, chrome, or natural



### SINGLE BORE TUNED INDUCTION SYSTEM KITS± EXEMPT FROM EMISSIONS TAMPERING REGULATIONS UNDER CARB EO# D-355-24

Fitment	Fuel System	Finish	Part #	MSRP
2001–'17 Harley-Davidson® big twin (except Throttle By Wire and CVO® Models)	Stock EFI Delphi®	Chrome/Red Filters	<b>170-0308B</b>	\$629.95
2008–'17 HD® touring stock-bore and '16 & '17 Softail® (except Tri-Glide® & CVO® Models)	Throttle By Wire	Gloss Black/Red Filters	<b>170-0309B</b>	\$524.95
		Chrome/Red Filters	<b>170-0310B</b>	\$629.95

± ⚠️ WARNING: Cancer and Reproductive Harm – www.P65Warnings.ca.gov

### SINGLE BORE TUNED INDUCTION SYSTEM KITS±

Fitment	Fuel Delivery	Finish	Part #	MSRP
2007–2017 big twins (except 2017 touring models)	S&S Single Bore EFI	Chrome/Red Filters	<b>170-0085</b>	\$629.95
2007–2017 big twins (except 2017 touring models)	Stock CV & EFI Delphi®	Chrome/Red Filters	<b>170-0087</b>	\$629.95
2008–2017 big twins (except 2017 touring models)	Throttle By Wire	Gloss Black/Red Filters	<b>170-0457</b>	\$519.95
		Chrome/Red Filters	<b>106-2448</b>	\$524.95
<b>CTO</b>	Specify	Specify	<b>106-5337*</b>	Call for Pricing

Use the Configure to Order (CTO) part number to order different finish and filter color.

DISCLAIMER: NOT LEGAL FOR SALE OR USE IN CALIFORNIA ON ANY POLLUTION CONTROLLED MOTOR VEHICLE. Not legal for sale or use on any EPA pollution controlled motor vehicle.

± ⚠️ WARNING: Cancer and Reproductive Harm – www.P65Warnings.ca.gov



Molded black adaptor bracket for 2008–'16 touring models



Chrome billet adaptor bracket for 2007–'17 big twins, except touring

**REPLACEMENT PARTS: SEE PAGE 130 & PAGE 131**

## NOTES

- Does not fit Screamin' Eagle 58mm or 64mm throttle bodies, or S&S 58mm or 66mm Throttle Hogs.
- Single bore tuned induction will not fit on motorcycles equipped with fairing lower glove boxes.
- Fuel injection tuning is not required with this product but is highly recommended for best results.

# CLASSIC TEARDROP AIR CLEANER KIT

## FITMENT

- Single bore intake big twin models including Harley-Davidson® Tri Glide® models

## FEATURES AND BENEFITS

- Efficient and free flowing intake that can add two to five horsepower
- Uniquely designed back plate has air horn style radiused entryway to reduce turbulence
- Dimpled cover with directional air cone on inside creates smooth path for air
- Great addition to performance exhaust or cams

## KIT CONTENTS

- Filter
- Backing plate and cover
- All mounting hardware
- Instructions



### CLASSIC TEARDROP AIR CLEANER KITS FOR STOCK EFI EXEMPT FROM EMISSIONS TAMPERING REGULATIONS UNDER CARB EO# D-355-24



Fitment	Fuel System	Finish	Stock EFI, W/ 96 & 103 Engines	MSRP
2001-'17 HD® big twin models <i>(except Throttle By Wire and CVO® Models)</i>	Stock EFI Delphi®	Chrome	<b>170-0303B</b> ±	\$263.95
		Gloss Black	<b>170-0304B</b>	\$263.95
2008-'17 HD® touring stock-bore and '16 & '17 Softail® models <i>(except Tri-Glide® &amp; CVO® Models)</i>	Throttle By Wire	Chrome	<b>170-0305B</b> ±	\$314.95
		Gloss Black	<b>170-0312B</b>	\$263.95

± ⚠️ WARNING: Cancer and Reproductive Harm – www.P65Warnings.ca.gov

### CLASSIC TEARDROP AIR CLEANER KITS FOR STOCK CARB/EFI

Fitment	Finish	Stock EFI, With 110 Engines	MSRP
2008-2017 big twins	Chrome	<b>106-2091</b> ±	\$314.95
1993-'06 HD® Carbureted big twins and 2007-'10 Softail® CVO® Models	Chrome	<b>17-0450</b> ±	\$263.95
	Gloss Black	<b>170-0181A</b>	\$277.95

DISCLAIMER: NOT LEGAL FOR SALE OR USE IN CALIFORNIA ON ANY POLLUTION CONTROLLED MOTOR VEHICLE. Not legal for sale or use on any EPA pollution controlled motor vehicle.

± ⚠️ WARNING: Cancer and Reproductive Harm – www.P65Warnings.ca.gov

### CLASSIC TEARDROP AIR CLEANER KITS FOR S&S SINGLE BORE EFI THROTTLE BODIES±

Fitment	Style/Finish	52mm	MSRP	58mm	MSRP
Stock Harley-Davidson® heads, S&S-Series Long block engines or S&S Heads for stock breathing system	Teardrop/Chrome	<b>17-0498</b>	\$263.95	<b>106-4669</b>	\$256.95
S&S Heads for 4 1/8" bore engines with vacuum breathing	Teardrop/Chrome	–	–	<b>106-4668</b>	\$256.95

DISCLAIMER: NOT LEGAL FOR SALE OR USE IN CALIFORNIA ON ANY POLLUTION CONTROLLED MOTOR VEHICLE. Not legal for sale or use on any EPA pollution controlled motor vehicle.

± ⚠️ WARNING: Cancer and Reproductive Harm – www.P65Warnings.ca.gov

### REPLACEMENT PARTS: PAGE 132

## NOTE

Fuel injection tuning is not required with this product but is highly recommended for best results.



### TEARDROP AIR CLEANER COVERS

Style	Finish	Part #	MSRP
Mini	Chrome	<b>170-0367</b> ±	\$167.95
	Gloss Black	<b>170-0366</b>	\$167.95
Classic Teardrop	Chrome	<b>17-0378</b> ±	\$158.95
	Gloss Black	<b>170-0384A</b>	\$158.95
Slasher Teardrop	Chrome	<b>17-0004</b> ±	\$158.95
	Gloss Black	<b>170-0419</b>	\$157.95
Nostalgic Teardrop	Polished	<b>17-0071</b>	\$183.95

± ⚠️ WARNING: Cancer and Reproductive Harm – www.P65Warnings.ca.gov

# STEALTH BACKPLATE ADAPTOR FOR RUSHMORE COVER FOR 2014–2016 TOURING MODELS

S&S Stealth air cleaners allow owners of 1999–later big twins to use their stock air cleaner cover to hide a performance air cleaner, the new adaptor kit for Rushmore Models allows late model bagger owners to fly under the radar too.

### FITMENT

- 2014–2016 touring models

### STEALTH BACKPLATE ADAPTOR FOR RUSHMORE COVER

Fitment	Part #	MSRP
2014–2016 touring models	<b>170-0261</b>	\$52.95



# PRE-FILTERS

### FITMENT

- S&S® Stealth Air Filters

### FEATURES AND BENEFITS

- Water resistant
- Prevents large debris from prematurely clogging filter
- Washable Nylon
- Promotes longer filter life
- Reduces the risk of water entering air intake system

### PRE-FILTERS

Application	Part #	MSRP
Standard	<b>170-0193</b>	\$41.95
1" Tall	<b>170-0197</b>	\$41.95



170-0197

# HIGH FLOW AIR FILTER KITS

### FITMENT

- S&S Classic Teardrop air cleaners for Super E & G carbs and S&S EFI throttle bodies

### FEATURES AND BENEFITS

- Low restriction filter element comes pre-oiled for true plug and play installation
- 1" wider filtration area provides up to 37% more airflow over standard S&S filters
- Resulting band of exposed filter material imparts a high performance look

### KIT CONTENTS

- Wide filter
- Filter spacers



170-0127



17-0045

### HIGH FLOW AIR FILTERS

Description	Fitment	Part #	MSRP
High Flow Air Filter Kit <i>(includes spacers)</i>	Classic Teardrop	<b>17-0045</b>	\$58.95
	Stealth, 1" Taller	<b>170-0127*</b>	\$71.95
1" Taller Filter Only	Classic Teardrop	<b>106-4724</b>	\$25.95
	Stealth	<b>170-0154</b>	\$46.95
Spacer	Classic Teardrop & Stealth, 1" Taller	<b>50-5009-S</b>	\$13.95

\*DISCLAIMER: NOT LEGAL FOR SALE OR USE IN CALIFORNIA ON ANY POLLUTION CONTROLLED MOTOR VEHICLE. Not legal for sale or use on any EPA pollution controlled motor vehicle.

# STANDARD REPLACEMENT FILTERS

### STANDARD REPLACEMENT AIR FILTERS

Description	Fitment	Part #	MSRP
Standard Filter Only	Classic Teardrop	<b>106-4722</b>	\$23.95
	Stealth	<b>170-0126</b>	\$42.95



# PERFORMANCE KIT OVERVIEW

## FOR HARLEY-DAVIDSON® TWIN CAM 96™ AND 103™



### 4" BORE BOLT-IN SEWINDER® BIG BORE KIT

S&S 4" big bore cylinder and piston kits boost 88 and 96/103" Harley-Davidson® big twin engines to 100" and 110" respectively. These bolt-in kits don't require any machining, rebalancing or engine removal, and include just about everything you'll need to complete the installation. The biggest cylinder bore that can be installed in a stock crankcase without machining! [See page 66](#)



### 124" HOT SET UP KIT

Ready for the ultimate? The 124" HSU kit will take you to the limit increasing both your bore and stroke. The included flywheel increases the stroke from 4 3/8" to 4 5/8". The kit's cylinders open the stock 3 3/4" bore to 4 1/8". S&S Easy Start 640 gear drive camshafts are included! Kits are available for balanced and unbalanced engines. CTO allows you to select other camshaft and cylinder head options to build the ultimate kit of your dreams. Your crankcase will require machining for these cylinder spigots to fit. Fuel injection tuning required. [See page 67](#)



### 117" BIG BORE KIT

The S&S 117" big bore top end kit, for 96" and 103" engines, is an economical route to big inches and increased performance. Use the stock crankcases, flywheel assembly, and cylinder heads for a stock look and a smaller price tag. Crankcase boring is required to accommodate the larger 4 1/8" bore cylinders. Finish the conversion off with your choice of performance cams, fuel system upgrade, and tuning. Available in dished dome or flat topped pistons and in wrinkle black or silver powder coat finish that matches the stock heads and cases. [See page 68.](#)



### 107" & 106" BIG BORE KIT

A low cost bolt-on kit provides big displacement! Just like the 97" kit, the 107" and 106" Big Bore Kits offer the simplicity of a bolt-on cylinder kit. Satisfy your thirst for speed with the largest bolt-on cylinders available. Bore is increased from 3.750" to 3.927", taking your displacement from 96" or 103" to 106"! The kit contains cylinders, pistons, rings and all gaskets needed. Fuel injection tuning required. [See page 70](#)

#### PERFORMANCE KIT SPECIFICATIONS FOR HARLEY-DAVIDSON® TWIN CAM 96™/103™/110™

KIT DESCRIPTION	BORE	STROKE	COMPRESSION RATIO								CAMSHAFT	HORSEPOWER	TORQUE	
			Stock Heads	79cc	89cc	91cc	CNC Heads					(CNC Heads)		
							83cc	85cc	87cc	90cc				
Power Pack	4"										585			
124" Hot Set Up Kit (Flat Top Piston)	4 1/8"	4 5/8"	11.4:1	*	11:1	10.8:1	11.6:1	11.4:1	11.2:1	10.9:1	640	127	130	
106" Big Bore Kit	3.927"	4 3/8"	10.0:1	10.7:1	9.7:1	9.5:1	10.2:1	10.1:1	9.9:1	9.6:1	–	106	108	

\*Not Recommended

#### PERFORMANCE KIT CONTENTS, OPTIONS AND REQUIREMENTS FOR HARLEY-DAVIDSON® TWIN CAM 96™/103™/110™

KIT DESCRIPTION	PACKAGE CONTENTS										MACHINING REQUIRED	CTO OPTIONS*	REJETTING OR CALIBRATION CHANGE	
	Flywheels	Cylinders	Pistons w/rings	Rocker Arms	Pushrods w/covers	Lifters	Camshafts	Valve Springs	Heads w/ springs	Gaskets				
Power Pack		●	●				●	●						
124" Hot Set Up Kit	●	●	●	●	●	●	●		0	●	3 4	5 6 7	●	
117" Big Bore Kit		●	●						0	●	3 4	5 6 7	●	
106" Big Bore Kit		●	●							●			●	

- 0 = Optional
- 1 = Order separately
- 2 = Bore & hone cylinders
- 3 = Crankcase machining for center stud
- 4 = Crankcase machining for cylinder spigots
- 5 = Camshaft selection
- 6 = CNC heads
- 7 = Combustion chamber size selection
- 8 = Cylinder & piston set available

\*The CTO option column lists only the major items offered. Virtually any option can be selected from our product offerings through the Configure To Order (CTO) program.

**FUEL INJECTION TUNING REQUIRED. S&S OFFERS FUEL INJECTION TUNING SOLUTIONS: SEE PAGE 105.**

# 4" BORE BOLT-IN SIDEWINDER® BIG BORE KITS



S&S 4" big bore cylinder and piston kits boost 96/103" HD® big twin engines to 110" respectively. These bolt-in kits don't require any machining, rebalancing or engine removal, and include just about everything you'll need to complete the installation. The biggest cylinder bore that can be installed in a stock crankcase without machining!

### FEATURES & BENEFITS

- Bolts in. No machining, balancing, or splitting the crankcases
- 96" and 103" engines end up at 110"
- Complete kits include cylinders, pistons, gaskets, and instructions
- Choose from wrinkle black or silver powder coat cylinders – *matches stock finish*

### FITMENT

- 2007–17 big twins (except 2017 touring models)

### SPECS FOR S&S 4" BORE BOLT-IN CYLINDER & PISTON KITS

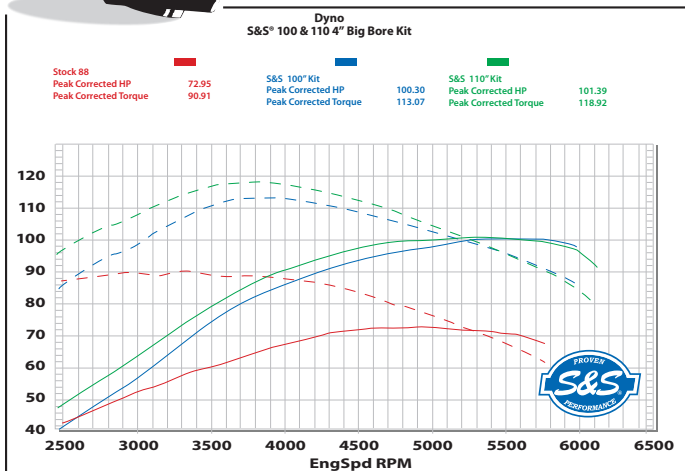
Year	Stroke	Bore	Cylinder Length	Piston Type	Dome Volume	Compression Ratio		
						83cc CNC Heads	85cc Stock Heads	89cc S&S Heads
2007-2017	4 3/8"	4.00"	4.937"	Forged	.75 pop up	10.7:1	10.5:1	10.2:1



### 4" BORE BOLT-IN SIDEWINDER® BIG BORE KITS

Displacement	Year	Stroke	Finish	Part #	MSRP
110	2007–'17 big twin (except 2017 touring)	4 3/8"	Silver	<b>910-0650</b>	\$1,154.95
	2007–'17 big twin (except 2017 touring)	4 3/8"	WBlack	<b>910-0651</b>	\$1,154.95

DISCLAIMER: NOT LEGAL FOR SALE OR USE IN CALIFORNIA ON ANY POLLUTION CONTROLLED MOTOR VEHICLE. NOT LEGAL FOR SALE OR USE ON ANY EPA POLLUTION CONTROLLED MOTOR VEHICLE.



These dyno results from our DynoJet® 250i chassis dynamometer clearly show the performance increases available with the S&S bolt-in 4 inch bore kits. The lowest (red) set of curves represents a stock 88 cid engine in a 2004 Harley-Davidson® FLHR Road King®. The next curves above the stock baseline (blue) shows the performance of the S&S 100" bolt-in big bore kit. The highest set of curves show the results from an S&S 110" big bore kit installed in a 96 cid engine. The engines with the S&S 100" and 110" kits were also set up with S&S 585 cams, Power Tune® headers, MK45 muffler, and the stock EFI throttle body with an S&S Stealth air cleaner.

## NOTE

Not for use with S&S 79cc Cylinder Heads

# 124" HOT SET UP KIT®

## FITMENT

- All 2007–'17 big twin models and 2006 Dyna® models, except 2017 touring models (2016 Twin-Cooled™ models not compatible with kits containing heads)

## FEATURES AND BENEFITS

- Huge displacement increase means huge power increase
- Stock crankcases, cylinder heads, oil pump, and cam cover can be reused
- Original engine serial numbers are retained
- Gear drive S&S 640 Easy Start Cams included!
- Wrinkle Black (WBlack) Powder coat finish heads match factory finish
- .045" MLS (multi-layered steel) head gaskets
- Adds .096" to engine height—still fits in stock frames
- Kits with S&S heads use stock length manifolds (S&S size 405)
- Cylinder w/piston kits include fitted pistons ready to install



## OPTIONS

The following three options are examples of the most commonly ordered kits. Option 1 (10.8:1 compression ratio) includes:

- S&S 91cc high flow Super Stock® heads
- Flat topped pistons

Option 2 (without heads) Available only through CTO. Includes:


- Flat topped pistons

Option 3 (without heads) 10.4:1 compression ratio intended for stock 85cc chamber cylinder heads includes:

- 10.9cc Dished pistons

Silver finish available through CTO.

S&S® 124" HOT SET UP KIT® SPECIFICATIONS							
Year	Stroke	Bore	Cylinder Length	Piston Type/Compression Ratio			
				91cc S&S Heads	89cc S&S Heads	85cc Stock Heads	95cc Stock 110 CVO Heads
2007–'16	4 5/8"	4 1/8"	5.004"	Flat top forged/10.8:1	Flat top forged/11:1	Forged, 10.9cc dish/10.4:1	10.5:1




**900-0569**

### 124" HOT SET UP KITS® FOR HARLEY-DAVIDSON® TWIN CAM 96™/96B™/103™/110™ ENGINES

(Kits include S&S® Super Stock® 91cc Cylinder Heads 10.8:1 Compression)

Model or Engine Type	Cam	Finish	Part #	MSRP
2006 Dyna® & 2007–'17 Twin Cam 96™/103™ & 2008–up touring models	640GE	WBlack	<b>900-0568</b>	\$5,564.95
2007–'17 big twins w/Balancer			<b>900-0569</b>	\$5,143.95
<b>CTO</b> Other Finishes and Combinations Available Here	Specify	Specify	<b>106-5752</b>	Call for Pricing

*Does not fit Twin-Cooled™ models*  
DISCLAIMER: NOT LEGAL FOR SALE OR USE IN CALIFORNIA ON ANY POLLUTION CONTROLLED MOTOR VEHICLE. Not legal for sale or use on any EPA pollution controlled motor vehicle.



### 124" HOT SET UP KIT® WITHOUT HEADS FOR HARLEY-DAVIDSON® CVO 110 ENGINES

(KITS INCLUDE FLAT TOP PISTONS 10.5:1 COMPRESSION WHEN USED WITH 95CC STOCK 110 CVO HEADS)

Year	Cam	Finish	Part #	MSRP
2007-'17 CVO 110 engines	640	Stone Gray	<b>900-0690</b>	\$4,567.95

DISCLAIMER: NOT LEGAL FOR SALE OR USE IN CALIFORNIA ON ANY POLLUTION CONTROLLED MOTOR VEHICLE. Not legal for sale or use on any EPA pollution controlled motor vehicle.

## NOTES

S&S Easy Start Cams save you money – no need to buy compression releases or S&S rocker covers.

Twin-Cooled applications will require separate purchase of 900-0609 head gaskets.

For engines with cable controlled throttle bodies we recommend the S&S 58mm single bore throttle bodies and manifolds. (See page 102) For 2008–up touring models with electronic throttle control S&S recommends a S&S Throttle Hog 58mm or 66mm Throttle body (See page 101).

This kit will require that the case be bored to accept the larger cylinders.

**Main Bearing Note:** S&S flywheel assemblies included in a 124" S&S Hot Set Up Kit® for 1999-'16 big twin engines are designed for use with Timken® sprocket shaft bearings. They will fit directly in stock 1999-'02 Harley-Davidson® crankcases and in all S&S crankcases for 1999-'16 big twin engines, with no modifications. However, stock 2003 and later engines use a roller type bearing for the sprocket shaft, and will require modification.

Due to the amount of power these engines produce with an S&S Hot Set Up Kit, S&S strongly recommends retrofitting 2003-'16 model crankcases to accept a Timken sprocket shaft bearing. A Timken conversion sleeve such as Screamin' Eagle® #34822-08 or Jim's® #956 may be used. A charging system spacer for 1999-'02 model year is also required.

If you choose not to convert your crankcases to a Timken sprocket shaft bearing, S&S flywheels may be used in 2003 and later engines with the installation of the Harley-Davidson® bearing kit #24004-03B. This bearing kit adapts the S&S sprocket shaft to be compatible with stock roller type bearings. Verify that the bearing kit contains the 24604-00D or 24607-07 or sprocket shaft bearing or S&S p/n 310-0761 for touring models. Do not use a 24604-00, 24604-00A, 24604-00B or 24604-00C bearing. Please be advised that if this type of bearing is used, sprocket shaft bearing failure WILL NOT be covered under warranty.

Fuel injection tuning is required. S&S offers fuel injection tuning solutions: See page 105

Kits with S&S heads are machined special to compensate for engine height change to accommodate a stock length manifold. When using a kit with stock cylinder heads, S&S recommends using the appropriate length manifold. For a 124" with stock OEM cylinder heads, the standard manifold length is 417.

Center case bolt between cylinders will use waisted bolt kit 900-0807

# 117" BIG BORE KITS

## FITMENT

- 2007–'17 big twins, except 2017 touring models  
(Twin-Cooled™ models require 900-0609 head gaskets)

## FEATURES AND BENEFITS

- Large displacement increase with a small price
- Your original crankcase, flywheel, cylinder heads, oil pump, and cam cover are reused
- Silver or wrinkle black (WBlack) Powder coat cylinders and heads match factory finish
- .060" shorter than stock engine - no frame clearance issues
- Piston weight is the same as stock Twin Cam 96™/103™—no balancing required
- Piston is plated for extreme durability and skirts feature low friction Wiseco ArmorGlide® coating

## SPECIAL ORDER OPTIONS

- CNC heads—Available in 83, 85, 87, 90cc chambers
- Camshafts—Gear or Chain Drive: 570, 585, 625, or 640



910-0221

## 117" BIG BORE KITS

Model or Engine Type	Piston	Finish	Part #	MSRP
117" Standard Compression	Flat Top	Silver	<b>910-0213</b>	\$1,259.95
		WBlack	<b>910-0221</b>	\$1,259.95
117" Low Compression	Dished	Silver	<b>910-0321</b>	\$1,259.95
		WBlack	<b>910-0318</b>	\$1,259.95
Special Order*		Specify	<b>91-7506*</b>	Call for Pricing

DISCLAIMER: NOT LEGAL FOR SALE OR USE IN CALIFORNIA ON ANY POLLUTION CONTROLLED MOTOR VEHICLE. NOT LEGAL FOR SALE OR USE ON ANY EPA POLLUTION CONTROLLED MOTOR VEHICLE.

## S&S® 117" BIG BORE KIT SPECIFICATIONS

Year	Stroke	Displacement	Bore	Cylinder Length	Piston Type	Compression Ratio			
						91cc Super Stock Heads	89cc Super Stock Heads	85cc Stock Heads	83cc CNC Ported Stock Heads
2007–'17	4 3/8"	117"	4 1/8"	4.878"	Flat Top 106-3491A	10.4:1	10.5:1	10.9:1	11.2:1
2007–'17	4 3/8"	117" LC	4 1/8"	4.878"	Dished, 10cc 920-0046	9.5:1	9.7:1	10.0:1	10.3:1

## NOTES

Twin-Cooled applications will require separate purchase of 900-0609 head gaskets.

The 117" cylinder kit will reduce the engine height ~.060", this may require the stock manifold be shortened by sanding some material off each side of the intake runner.

Cylinder w/piston kits included in this Hot Set Up Kit are pre-fit and ready to install.

2008-up touring models with electronic throttle control recommends S&S Throttle Hog 58mm or 66mm Throttle body (See page 101) and Harley-Davidson® race tuner.

This kit will require that the case be bored to accept the larger cylinders.

.030" MLS head gaskets optional: Part #900-0217

S&S recommends retrofitting a Timken bearing (31-4013) into 2003-'16 model crankcases with the use of a Timken sleeve, Screamin' Eagle #34822-08 or Jim's #956. A charging system spacer for 1999-'02 model year is also required. S&S p/n 310-0761.

Requires recalibration.

# 110" PISTONS AND CAMS

## MAKE THAT BIG HOG REALLY RUN! S&S CAMS AND PISTONS FOR CVO™ 110

Not satisfied with 86 horsepower from your CVO™ 110 engine? Neither were we! Fortunately, we can show you how to make that big hog really run. Here's how.

1. Install an S&S performance exhaust and air cleaner — *a must for any performance upgrade*
2. Install a set of S&S 585 bolt-in cams and tune the EFI system — *produces over 107 horsepower*
3. Increase the compression ratio from the stock 9.3:1 to 10.6:1 with S&S high compression pistons — *brings the horsepower up to 114*



### FITMENT

- 2007–Up Harley-Davidson® CVO™ 110 engines

### FEATURES AND BENEFITS

- Significant performance increase — *See the dyno chart*
- Don't trade torque for horsepower — *get more of both! See the dyno chart*
- Easy installation! All parts bolt in without splitting the cases or even removing engine from the frame
- S&S Easy Start Cams ensure reliable starting even with high compression pistons
- Easy EFI tuning with free calibration downloads for S&S EZ Loader — *no expensive dyno time required*



### 10.6:1 HIGH COMPRESSION PISTONS FOR HARLEY-DAVIDSON® CVO™ 110 ENGINES

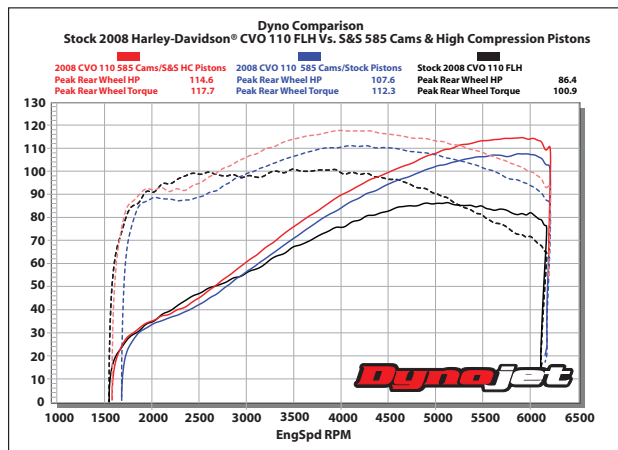
Fitment	Deck Height	Wristpin Diameter	Standard	MSRP	+.010"	MSRP
2007–'17 bt CVO™ 110" engines	1.0895"	.927"	<b>920-0114</b>	\$472.95	<b>920-0115</b>	\$472.95

### 585 CAMSHAFTS FOR HARLEY-DAVIDSON® CVO™ 110 ENGINES

Cam Style	Easy Start*	MSRP	Standard	MSRP
Chain Drive 585 cams (includes installation kit)	<b>106-5233</b>	\$449.95	<b>106-4382</b>	\$345.95
Gear Drive 585 cam kits (includes inner and outer gears and installation kit)	<b>106-5225</b>	\$899.95	<b>33-5268</b>	\$797.95

\*S&S Easy Start cams feature a built-in automatic compression release for reliable starting. For more information go to [www.sscycle.com/easy-start-cams](http://www.sscycle.com/easy-start-cams)

DISCLAIMER: NOT LEGAL FOR SALE OR USE IN CALIFORNIA ON ANY POLLUTION CONTROLLED MOTOR VEHICLE. Not legal for sale or use on any EPA pollution controlled motor vehicle.



The Dynojet® 250i chassis dynamometer shows how this 2008 Harley-Davidson® CVO™ FLH revealed its true potential with the addition of S&S performance exhaust, intake and 585 cams. The top set of curves show that bumping the compression with S&S 10.6:1 pistons really wakes up the engine and makes over 114 horsepower. That's a total increase of over 28 horsepower or nearly 33%! All tests were done with the stock 50mm throttle body. Make even more power with an S&S 58mm Throttle Hog or cable controlled throttle body.

# 107" BIG BORE KITS

### FITMENT

- 2007–2017 big twins, *except 2017 touring models*
- 2014–2017 Twin Cooled models, *except 2017 touring models*

### FEATURES AND BENEFITS

- 3.937" bore
- Cylinder and piston kits make going to the maximum bores size easy – *no machining required*
- Stock engine height is maintained
- 11 fin cylinder design closely resembles OEM shape and come prefinished – *ready to install*
- Increased fin area for better heat dissipation
- Centrifugal cast, gray iron liner features 40,000 psi tensile strength – *superior wear and performance*
- CP Pistons are recognized as industry leaders, and provide exceptional wear, performance and noise characteristics

### KIT CONTENTS

- S&S cylinders with gaskets
- Piston set with rings, wristpins, and wristpin clips

### CTO OPTIONS

- Hot Set Up Kit—options for heads, cams, pushrods, tappets, and gaskets



910-0500

### S&S® 107" BIG BORE KIT AND HOT SET UP KIT SPECIFICATION CHART

Year	Stroke	Bore	Cylinder Length	Piston Type	COMPRESSION RATIO (with provided .045" head gasket)		
					83cc CNC Ported Stock Heads	85cc Stock Heads	89cc S&S Heads
2007–2017	4 3/8"	3.937"	4.937"	Forged, 3cc Dome	10.7:1	10.5:1	10.1:1

*Cylinder w/piston kits include pistons and cylinders that require no boring or honing.*

### 107" BIG BORE KITS

Fitment	Cylinder Finish	Part #	MSRP
2007–'17 big twin, <i>except 2017 touring models</i>	Silver Powder coat	<b>910-0480</b>	\$1,102.95
	WBlack Powder coat	<b>910-0500</b>	\$1,102.95

DISCLAIMER: NOT LEGAL FOR SALE OR USE IN CALIFORNIA ON ANY POLLUTION CONTROLLED MOTOR VEHICLE. Not legal for sale or use on any EPA pollution controlled motor vehicle.

## NOTES

- Not for use with 79cc heads
- S&S® highly recommends installing a performance cam for easier starting and better engine performance.
- S&S high flow cylinder heads or CNC ported stock heads will provide further horsepower gains.
- These kits require tuning.

# 106" BIG BORE KITS

## FITMENT

- 2007–2017 big twins, *except 2017 touring models*
- 2014–2016 Twin Cooled models

## FEATURES AND BENEFITS

- Increased fin area for better heat dissipation—be cool!
- Increase bore size from 3.750" to 3.927" —bigger is better!
- Easy installation — no machining or rebalancing required—economical!
- Forged coated pistons are compatible with stock or S&S Super Stock® 79cc & 89cc heads
- Valve pocket recessed in S&S pistons are enlarged for oversize valves and higher lift cams
- Maintains stock engine height and stock piston weight
- Cosmetic improvements—hard to tell from stock cylinders
  - 11 fins and full fin pattern on cam side closely resembles OEM shape
  - S&S logo and part numbers are less conspicuous
  - Better overall appearance

## OPTIONS

- Oversize pistons available  
– See page 81

## KIT CONTENTS

- S&S cylinders with gaskets
- Piston set with rings
- Top end gasket kit
- Instructions



910-0206

### S&S® 106" BIG BORE KIT SPECIFICATION CHART

Year	Stroke	Bore	Cylinder Length	Piston Type	COMPRESSION RATIO			
					85cc Stock Heads	79cc S&S Heads	89cc S&S Heads	83cc CNC Ported Stock Heads
2007–'17	4 3/8"	3.927"	4.937"	Forged Flat Top	10.0:1	10.7:1	9.7:1	10.2:1

*Cylinder w/piston kits include fitted pistons and cylinders that require no boring or honing.*

## 106" BIG BORE KITS

Fitment	Finish	Part #	MSRP
2007–'17 big twin and 2014–'16 Twin-Cooled™ Models	WBlack	<b>910-0206</b>	\$997.95
	Silver	<b>910-0202</b>	\$997.95

DISCLAIMER: NOT LEGAL FOR SALE OR USE IN CALIFORNIA ON ANY POLLUTION CONTROLLED MOTOR VEHICLE. Not legal for sale or use on any EPA pollution controlled motor vehicle.

## 106" HOT SET UP KITS® WITH CYLINDERS & PISTONS WITHOUT HEADS

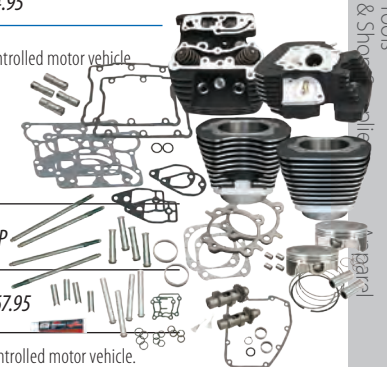
Model Year	Cam	Compression Ratio	Piston Type	Valve Springs	Finish	Part #	MSRP
2007–'17 big twin and 2014–'16 Twin-Cooled™ Models	585CE	10.0:1	Flat top	–	WBlack	<b>900-0354</b>	\$1,784.95
					Silver	<b>900-0355</b>	\$1,784.95

DISCLAIMER: NOT LEGAL FOR SALE OR USE IN CALIFORNIA ON ANY POLLUTION CONTROLLED MOTOR VEHICLE. Not legal for sale or use on any EPA pollution controlled motor vehicle.

## 106" HOT SET UP KITS® WITH 83CC CNC PORTED HEADS, CYLINDERS & PISTONS

Model Year	Cam	Compression Ratio	Piston Type	Valve Springs	Finish	Part #	MSRP
2007–'17 big twin <i>(except Twin-Cooled™ models)</i>	585CE	10.2:1	Flat top	.585"	WBlack	<b>900-0352</b>	\$4,567.95

DISCLAIMER: NOT LEGAL FOR SALE OR USE IN CALIFORNIA ON ANY POLLUTION CONTROLLED MOTOR VEHICLE. Not legal for sale or use on any EPA pollution controlled motor vehicle.



## NOTES

- S&S® highly recommends installing a performance cam for easier starting and better engine performance.
- S&S high flow cylinder heads or CNC ported stock heads will provide further horsepower gains.
- These kits require tuning.

## ENGINE OVERVIEW

S&S performance engines for 2007–'17 Harley-Davidson® big twins are available as long blocks which do not include fuel or ignition systems. Engines are protected by super tough powder coat finishes. Available in silver and chrome, wrinkle black and chrome, Stone Grey and chrome, and Black Edition color schemes. Stone Grey matches the engine finish on CVO models, and Black Edition is a wrinkle black engine with gloss black covers.

### **BLACK EDITION**

S&S Cycle's new Black Edition engines combine classic wrinkle black with high gloss black powder coated covers for a subtle contrast and elegant look while still producing the power and reliability you've come to expect.

### **T143 (143 cid)**

The T143 T2 long block engine is the largest (143 cid) S&S engine that will fit in a stock chassis. Long blocks come without fuel or ignition systems (available separately) and an oil line installation kit is required. Available in silver, wrinkle black, Stone Grey, or black edition finishes. The 160 rear wheel horsepower also requires performance drive train upgrades. Not for the faint of heart!

### **T124 (124 cid)**

The S&S T124 T2 long block engine has been our daily rider hot rod since 2004. The combination of day in and day out reliability and brutal power make it the perfect choice. Available in silver, wrinkle black, Stone Grey, or black edition finishes. Long blocks come without fuel or ignition systems. Our Throttle Hog EFI throttle bodies are highly recommended.

### **T111 (111 cid)**

The S&S T111 T2 long block is the ultimate sport touring engine. The shorter stroke provides a perfect combination of performance, engine life, quiet operation, and reduced vibration. Available in silver, wrinkle black, Stone Grey, or black edition finishes. Long blocks come without fuel or ignition systems. Our Throttle Hog EFI throttle bodies are available to complete the package.





# T143 ENGINES

If Bigger is Better, the T143 is the Best...  
The **BIGGEST, BADDEST, BOLT-IN** for a Stock Frame.

All joking about size aside, it does matter. The S&S T143 Long Block engine for Harley-Davidson® models is the largest S&S engine that will fit in a stock Harley-Davidson® chassis. It's big, 143 cubic inches. 'Nuff said.  
At double the HP of a stock motor the power of the T143 requires technical expertise for the installation and tuning along with an experienced rider. This is an ultra performance/ race engine. Longevity, engine noise, vibration and throttle sensitivity have all been compromised to reach this level of performance while fitting in a stock chassis and as such is not suitable for every situation. It is the purchaser's responsibility to consider the suitability for their application. Engine noise and damage from abuse is not covered under warranty.

## FITMENT

- 2007–'16 Harley-Davidson® touring models
- 2006–'17 Dyna® models

## FEATURES AND BENEFITS

- Fits in stock chassis—no cutting or frame modifications
- S&S B3 cylinder heads CNC machined with 2 bolt exhaust flanges
- S&S Super Stock T2 Crankcases with reed breather valve
- 3 Piece Flywheels
- TC3 Oil Pump and Cam Plate
- S&S 635 Easy Start Gear Drive Cams and S&S 1.725:1 rocker arms for .674" total lift.
- S&S Premium High Performance Tappets
- 1 year warranty

## OPTIONS

- Wrinkle Black, Stone Gray, or Black Edition powder coat finish

## SUGGESTED ACCESSORIES

- Stealth Air Cleaner Kit 143 Cover: [See page 61](#)



## T143 ENGINES WITHOUT FUEL AND IGNITION SYSTEMS

Chassis Style	Displacement	Bore	Stroke	Cam	Piston Type	CR	Warranty	Finish	Part #	MSRP
2007–'16 touring models	143"	4.425"	4 $\frac{5}{8}$ "	635	S&S Forged Flat Top	10.5:1	1 year	WBlack & Chrome	<b>310-0548A</b>	\$10,047.95
								Stone Gray	<b>310-0549A</b>	\$10,047.95
								Black Edition	<b>310-0837A</b>	\$10,237.95
2006–'17 Dyna® Models	143"	4.425"	4 $\frac{5}{8}$ "	635	S&S Forged Flat Top	10.5:1	1 year	Black Edition	<b>310-0901A</b>	\$10,237.95
								WBlack & Chrome	<b>310-0883A</b>	\$10,046.95

DISCLAIMER: NOT LEGAL FOR SALE OR USE IN CALIFORNIA ON ANY POLLUTION CONTROLLED MOTOR VEHICLE. Not legal for sale or use on any EPA pollution controlled motor vehicle.

**⚠ REQUIRES OIL LINE INSTALLATION KIT.** See chart.

## INSTALLATION PARTS

Description	Part #	MSRP
Oil Line Install Kit for 2006–'17 Dyna® Models	WBlack	<b>310-0870</b> \$579.95
	Silver	<b>310-0871</b> \$579.95
Oil Line Kit for 2007–'16 touring models	<b>310-0435</b> ±	\$157.95
Transmission Drilling Fixture Kit for 2007–'16 touring models	<b>530-0006</b>	\$178.95
Head Mount Bracket	2009–'16 touring	<b>900-0798</b> \$52.95
	2008 touring	<b>900-0797</b> \$52.95
Fuel Injector 2 pack	<b>550-0603</b>	\$262.95

Description	Part #	MSRP
70mm Induction Kit* 2008–'16 touring (includes injectors)	<b>170-0253</b> ±	\$1,469.95
70mm Induction Kit Cable operated 2007–'17 Dyna® models & 2007 touring models (includes injectors)	<b>170-0288</b>	\$1,742.95
Exhaust Flange Starter Kit	<b>550-0216</b>	\$115.95

\*Includes a 70mm S&S Throttle Hog specially designed for the T143 engine in which a functional, stock throttle by wire throttle body must be supplied to build. See page 101 for more details.

± ⚠ WARNING: Cancer and Reproductive Harm – www.P65Warnings.ca.gov

# T-SERIES T2 LONG BLOCK ENGINES



### FITMENT

- 2007–'16 touring models (except Twin-Cooled™ models)
- 2006–'17 Dyna® Models

### FEATURES AND BENEFITS

- No fuel system or ignition systems included - Use what you already have
- Special Head machining—Fits stock length intake manifolds (S&S manifold size 405)
- Stock style breathing system—stock breather spacing and function is compatible with stock and most performance air cleaners
- Super Stock™ T2 Crankcase
- 3 Piece Flywheels
- TC3 Oil Pump and Cam Plate
- S&S Easy Start gear drive cams
- Stock Twin Cam 96™ bolt pattern

### OPTIONS

- T111 – 111 cubic inches, perfect sport-touring engine
- T124 – 124 cubic inches, hot-rod performance, 640 Easy Start gear drive cams
- T124LC – 124 cubic inches with slightly lower compression, 585 Easy Start gear drive cams
- Stone Gray powder coat finish that matches the Granite color of a “stock” CVO engine

### SUGGESTED ACCESSORIES

- Stealth Air Cleaner Kits. See page 58

#### T124 ENGINES WITHOUT FUEL AND IGNITION SYSTEMS

Chassis Style	Displacement	Bore	Stroke	Cam	Piston Type	CR	Warranty	Finish	Part #	MSRP
2007–'16 touring models	124"	4⅞"	4⅞"	640	S&S Forged Flat Top	10.8:1	2 Year	Black Edition	<b>310-0835A</b>	\$7,139.95
								WBlack & Chrome	<b>310-0400A</b>	\$6,719.95
								Stone Gray	<b>310-0511A</b>	\$6,719.95
				585	S&S Forged Dished, 11cc	10.2:1	2 Year	Black Edition	<b>310-0836A</b>	\$7,139.95
								WBlack & Chrome	<b>310-0401A</b>	\$6,719.95
								Stone Gray	<b>310-0512A</b>	\$6,719.95
2006–'17 Dyna® Models	124"	4⅞"	4⅞"	640	S&S Forged Flat Top	10.8:1	2 Year	Black Edition	<b>310-0900A</b>	\$7,139.95
								WBlack & Chrome	<b>310-0882A</b>	\$6,719.95
<b>CTO</b>				Specify		Specify	Varies	Specify	<b>319-0010</b>	Call for Pricing

DISCLAIMER: NOT LEGAL FOR SALE OR USE IN CALIFORNIA ON ANY POLLUTION CONTROLLED MOTOR VEHICLE. Not legal for sale or use on any EPA pollution controlled motor vehicle.

#### T111 ENGINES WITHOUT FUEL AND IGNITION SYSTEMS

Chassis Style	Displacement	Bore	Stroke	Cam	Piston Type	CR	Warranty	Finish	Part #	MSRP
2007–'16 touring models	111"	4⅞"	4⅞"	585	S&S Forged	9.8:1	2 Year	WBlack & Chrome	<b>310-0402A</b>	\$6,719.95
2007–'16 touring models				585				Black Edition	<b>310-0834A</b>	\$6,824.95
<b>CTO</b>				Specify		Specify	Varies	Specify	<b>319-0010</b>	Call for Pricing

DISCLAIMER: NOT LEGAL FOR SALE OR USE IN CALIFORNIA ON ANY POLLUTION CONTROLLED MOTOR VEHICLE. Not legal for sale or use on any EPA pollution controlled motor vehicle.

**! REQUIRES OIL LINE INSTALLATION KIT.** See chart.

#### INSTALLATION PARTS FOR S&S T-SERIES T2 LONG BLOCK ENGINES

Description	Part #
Oil Line Kit for 2007–'16 touring models	<b>310-0435</b> ±
Transmission Drilling Fixture Kit	<b>530-0006</b>
Oil Line Install Kit for 2006–'17 Dyna® models*	WBlack <b>310-0870</b>
	Silver <b>310-0871</b>

\*DISCLAIMER: NOT LEGAL FOR SALE OR USE IN CALIFORNIA ON ANY POLLUTION CONTROLLED MOTOR VEHICLE. NOT LEGAL FOR SALE OR USE ON ANY EPA POLLUTION CONTROLLED MOTOR VEHICLE.

± **! WARNING:** Cancer and Reproductive Harm – www.P65Warnings.ca.gov

#### COMPLETE ENGINE REBUILD GASKET KITS

S&S Engine Family	Bore Size	Part #	MSRP
T-Series	4⅞"	<b>310-0335</b>	\$231.95



## NOTES ENGINE MANAGEMENT AND FUEL SYSTEMS

Cylinder heads on these engines are specially machined to compensate for the non-stock cylinder length. As a result, they are compatible with manifolds and throttle bodies with stock length intake runners. In addition, the breather vent bolt locations have been adjusted so they are in the stock location, so stock style air cleaner back plates will bolt up to these engines.

Will require early style sprocket shaft spacer for charging system us S&S pn 310-0761 for touring models.

For best performance, S&S Throttle Hog Throttle Body is recommended. See page 101.

# SUPER STOCK™ T2 CRANKCASE

## FITMENT

- 2007–'16 Harley-Davidson® touring model big twins
- 2006–'17 Dyna® models

## FEATURES AND BENEFITS

- Stock looking, but stronger—Thicker wall sections and superior 356-T6 aircraft grade aluminum
- Tough powder coat finish
- Reinforced front motor mount for extra strength
- Timken® sprocket shaft bearing—Strong enough for the most demanding applications
- Clearanced for strokes up to 4<sup>3</sup>/<sub>16</sub>" and cams up to .720" lift
- Includes pinion and Timken® bearing
- Manufacturer's Statement of Origin (MSO) included
- Includes studs and cam bearings installed

## KIT CONTENTS

- S&S crankcase
- Bearings and hardware
- Instructions

## INSTALLATION PARTS

- S&S oil line kit (required)
- S&S transmission drilling fixture kit (recommended for easy installation)



310-0435±



530-0006

## NOTE

Will require early style sprocket shaft spacer for charging system use S&S pn 310-0761 for touring models.



310-0367

## INSTALLATION PARTS

Description	Part #	MSRP
Oil Line Kit for 2007–'16 touring models	<b>310-0435±</b>	\$157.95
Transmission Drilling Fixture Kit	<b>530-0006</b>	\$178.95
Oil Line Install Kit for 2006–'17 Dyna® Models	WBlack	<b>310-0870</b> \$579.95
	Silver	<b>310-0871</b> \$579.95

DISCLAIMER: NOT LEGAL FOR SALE OR USE IN CALIFORNIA ON ANY POLLUTION CONTROLLED MOTOR VEHICLE. NOT LEGAL FOR SALE OR USE ON ANY EPA POLLUTION CONTROLLED MOTOR VEHICLE.

± ⚠️ WARNING: Cancer and Reproductive Harm — www.P65Warnings.ca.gov

## SUPER STOCK™ T2 CRANKCASES FOR 2007–'16 HARLEY-DAVIDSON® FL BIG TWIN ENGINES

Bore Size	Stone Gray	MSRP	WBlack	MSRP	Silver	MSRP
Stock Bore (Stock Bolt Pattern) 2007–'16 touring models	—	—	<b>310-0367A</b> ±	\$1,465.95	<b>310-0366A</b> ±	\$1,465.95
Stock Bore (Dyna® models)	—	—	<b>310-0878</b> *	\$1,465.95	<b>310-0881</b> *	\$1,465.95
CVO 110 Stock Bore	<b>310-0543A</b> ±	\$1,570.95	—	—	—	—
4 <sup>1</sup> / <sub>8</sub> " Bore (Stock Bolt Pattern) 2007–'16 touring models	<b>310-0503</b> **±	\$1,496.95	<b>310-0369</b> *±	\$1,496.95	<b>310-0368</b> *±	\$1,496.95
4 <sup>1</sup> / <sub>8</sub> " Bore (Dyna models with Stock Bolt Pattern)	—	—	<b>310-0856</b> **	\$1,465.95	—	—
4 <sup>3</sup> / <sub>8</sub> " Bore (S&S Bolt Pattern) <sup>††</sup> 2007–'16 touring models	—	—	<b>310-0371</b> *±	\$1,496.95	<b>310-0370</b> *±	\$1,496.95
4.425" Bore 2007–'16 touring models	<b>310-0691</b> ±	\$1,570.95	<b>310-0690</b> ±	\$1,570.95	—	—
4.425" Bore (Dyna® models)	—	—	<b>310-0859</b>	\$1,574.95	—	—
Special Order	<b>319-0025</b>	Call for Pricing	<b>319-0025</b>	Call for Pricing	<b>319-0025</b>	Call for Pricing

Special Order: Download the Special Order Form at [sscycle.com/soforms](http://sscycle.com/soforms). Use the special order part number to order crankcases with a special finish

<sup>††</sup>Requires separate purchase of tappet covers sets #330-0281

\*Exempt from emissions tampering regulations under CARB EO# D-355-18 when used with stock bore cylinders

\*DISCLAIMER: NOT LEGAL FOR SALE OR USE IN CALIFORNIA ON ANY POLLUTION CONTROLLED MOTOR VEHICLE. NOT LEGAL FOR SALE OR USE ON ANY EPA POLLUTION CONTROLLED MOTOR VEHICLE.

\*\*DISCLAIMER: FOR CLOSED COURSE COMPETITION USE ONLY. NOT INTENDED FOR STREET USE. LEGAL IN CALIFORNIA ONLY FOR RACING VEHICLES WHICH MAY NEVER BE USED, OR REGISTERED OR LICENSED FOR USE, UPON A HIGHWAY.

± ⚠️ WARNING: Cancer and Reproductive Harm — www.P65Warnings.ca.gov

REPLACEMENT PARTS: SEE PAGE 114

# CRANKCASE BREATHER REED VALVES

## FITMENT

- Twin Cam 96™/103™ (except "B" engines)
- S&S T-Series engines

## FEATURES AND BENEFITS

- Improved oil scavenging and reduced oil carryover



310-0742

## CRANKCASE BREATHER REED VALVES

Oil Pump Fitment	Year Application	Part #	MSRP
For Engines with S&S Gear Oil Pump	2007–up S&S crankcases	<b>310-0742</b>	\$126.95

## REPLACEMENT SPRING

Spring, Wave, 1.6" x 2" x 2", 2.8mm	<b>31-2078</b>	\$17.95
-------------------------------------	----------------	---------

## NOTES

The crankcases breather valve for Twin Cam 96™/103™ engines was designed and developed for use with S&S Gear Oil Pumps and tappets, and may not be compatible with some aftermarket components.

Not available for Twin Cam 96™/103™ "B" engines with internal balancers.

Does not fit with aftermarket oil pumps.

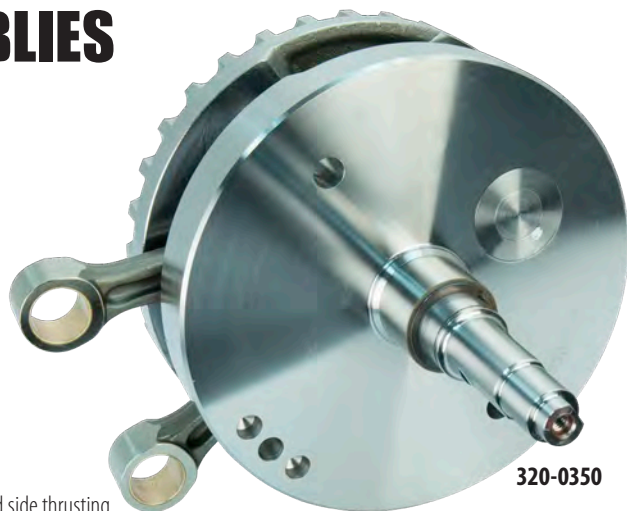
# 3 PIECE FLYWHEEL ASSEMBLIES

## FITMENT

- 2007–'17 Harley-Davidson® big twins (except 2017 touring models)—Balanced and unbalanced models
- S&S T-Series Engine and Hot Set Up Kit® replacement flywheels


## FEATURES AND BENEFITS

- Heat-treated 4140 material is harder and 114% stronger than stock
- New light weight connecting rod forgings
- Available with full width wristpin connecting rods
- Larger 1.671" diameter crankpin — increased contact area and tighter press fit for a stronger joint.
- No welding required!
- Integral mainshafts - eliminates two potential points of weakness
- Consistent balance and precision machining — Truer flywheels and less vibration
- Reduced mainshaft deflection at high rpm — less vibration, reduced piston and rod side thrusting, prevents oil pump damage, fully compatible with gear drive cams
- Capable of higher rpm — More available power!



How Strong Are Your Flywheels?  
www.sscycle.com/videos

## FLYWHEEL ASSEMBLIES FOR 2007–2017 HARLEY-DAVIDSON® BIG TWIN MODELS (EXCEPT 2017 TOURING MODELS)

Engine Displacement	Stroke	Balanced to Total Piston Weight (gms)	Rod WP End Style	Sprocket Bearing Race	Harley-Davidson® Twin Cam 96®/103™	Harley-Davidson® Twin Cam 96B™/103B™
96, 103, 106 big bore, 110, 117 w/S&S Pistons	4 3/8"	1035	Straight	Yes**	<b>320-0350</b> \$1,546.95	<b>320-0356</b> \$1,552.95
				No	<b>320-0351</b> \$1,517.95	<b>320-0357</b> \$1,552.95
96, 103, 110 w/Stock Pistons* 	4 3/8"	1035	Tapered*	Yes**	<b>320-0352</b> \$1,546.95	<b>320-0358</b> \$1,552.95
				No	<b>320-0353</b> \$1,517.95	<b>320-0359</b> \$1,552.95
S&S 106 Stroker***	4 1/2"	1108	Straight	No	<b>320-0450</b> \$1,517.95t	<b>320-0544</b> \$1,631.95
S&S 111	4 1/8"	1035	Straight	No	<b>320-0407</b> \$1,517.95	<b>320-0413</b> \$1,517.95
SE 120R (uses 7.575" length rods)	4 5/8"	1035	Straight	No	<b>320-0523</b> \$1,517.95	<b>320-0529</b> \$1,517.95
S&S 124	4 5/8"	1035	Straight	No	<b>320-0464</b> \$1,517.95	<b>320-0471</b> \$1,552.95
S&S 143	4 3/8"	1290	Straight	No	<b>320-0545</b> \$1,591.95	—
Special Order	Specify	Specify	Specify	Specify	<b>329-0002</b> Call for Pricing	<b>329-0002</b> Call for Pricing

\*Stock pistons in 2007 and later engines require rods with tapered wristpin ends.

Note - All S&S Flywheels for 2007 and later engines have 7.659" length connecting rods.

\*\*Note - Flywheel assemblies supplied with sprocket shaft bearing race installed are compatible with stock roller style sprocket shaft bearings. Assemblies with no race require a Timken® sprocket shaft bearing.

\*\*\*4 1/2" stroke flywheels include 7.667" long connecting rods.

## NOTES

Strokes longer than stock will require S&S Piston Oiler Set, part #31-2026.

2007-up stock rod length is 7.659".

Main Bearing Note: Most S&S flywheel assemblies for 1999-'17 big twin engines are designed for use with Timken® sprocket shaft bearings. They will fit directly in stock 1999-'02 Harley-Davidson® crankcases and in all S&S crankcases for 1999-'17 big twin engines, with no modifications. However, stock 2003 and later engines use a roller type bearing for the sprocket shaft. S&S does offer flywheel assemblies that are compatible with late roller style stock sprocket shaft bearings, but they are not recommended for very large, high performance engines.

S&S strongly recommends retrofitting 2003-'16 model crankcases to accept a Timken sprocket shaft bearing. A Timken conversion sleeve such as Screamin' Eagle® #34822-08 or Jim's® #956 may be used. A charging system spacer for 1999-'02 model year is also required.

If you choose not to convert your crankcases to a Timken sprocket shaft bearing, S&S flywheels may be used in 2003 and later engines by either purchasing the stock compatible flywheels or by installing Harley-Davidson® bearing kit #24004-03B when using S&S flywheels designed for Timken bearings. This bearing kit adapts the S&S sprocket shaft so it is compatible with stock roller type bearings. Verify that the bearing kit contains the 24604-00D or 24607-07 sprocket shaft bearing. Do not use a 24604-00, 24604-00A, 24604-00B or 24604-00C bearing. Please be advised that if this type of bearing is used, sprocket shaft bearing failure WILL NOT be covered under warranty.

TRYING TO IDENTIFY AN S&S® FLYWHEEL?  
SEE FLYWHEEL I.D. CHART: **PAGE 544**

REPLACEMENT PARTS: **PAGE 117**

# TC3 CAM PLATE

S&S cam support plates are just what the doctor ordered when repairing a damaged engine or installing new camshafts. CNC machined from forged aluminum for excellent strength and dimensional accuracy. S&S cam support plates are available to fit 1999–2006 and 2007–'17 Harley-Davidson® big twin engines. We don't want to encourage bad habits so plates for 1999–2006 are not compatible with stock spring-loaded chain tensioners, and require late style hydraulic tensioners and oil pump. We suggest the S&S TC3 oil pumps be installed with S&S TC3 Cam Plate.

## FITMENT

- 2007–'17 big twins and 2006 Dyna models, *except 2017 touring models*

## FEATURES AND BENEFITS

- Precision CNC machined forged aluminum
- Adjustable oil pressure regulator—adjust without removing plate from engine
- Passage plugs are removable for service
- Made In The USA

\*Not compatible with stock spring-loaded chain tensioners or stock 1999–2006 oil pumps. Hydraulic tensioners (Unless running gear drive cams) and 2007–later style oil pump is required.



## TC3 CAM PLATE

Fitment	Part #	MSRP
2006 Dyna® models & 2007–'17 bt, <i>except 2017 touring models</i>	<b>310-0625</b>	\$367.95

# TC3 OIL PUMP

If motor oil is the lifeblood of an engine, then the oil pump is its heart. If your engine needs a transplant, the S&S TC3 Oil Pumps are a great solution for worn out or destroyed stock units. Common causes of stock pump failure are debris and excessive pinion shaft run out. The new S&S oil pumps are much less likely to be damaged by either. Oh, and by the way, the S&S TC3 Oil Pumps pump and scavenge way more oil than stock. While you've got that motor apart, it would be a good time to install a forged S&S TC3 Cam Plate.

## FITMENT

- 2007–'17 big twins and 2006 Dyna models, *except 2017 touring models*

## FEATURES AND BENEFITS

- Consistent pressure and reliable scavenging
- Separate scavenge sections for flywheel cavity and cam chest—no interference
- Screens and magnetic traps help protect the scavenge rotors from debris
- Special design allows S&S pumps to tolerate more pinion shaft run out without damage
- Made in the USA!



## TC3 OIL PUMP

Fitment	Part #	MSRP
2006 Dyna® models & 2007–'17 bt, <i>except 2017 touring models</i>	<b>310-0641</b>	\$419.95

# TC3 OIL PUMP & CAM PLATE KITS



## TC3 OIL PUMP AND CAM PLATE KITS

Fitment	Part #	MSRP
2006 Dyna® models & 2007–'17 bt, <i>except 2017 touring models</i>	<b>310-0732</b>	\$708.95

REPLACEMENT PARTS: SEE PAGE 118 & PAGE 119

# GEAR DRIVE EASY START CAM SETS

FOR USE WITH S&S GEAR OIL PUMPS FOR 2007–'17 (EXCEPT 2017 TOURING MODELS)  
BIG TWINS & 2006 DYNA® MODELS

**GEAR DRIVE EASY START CAM SETS FOR USE WITH S&S GEAR OIL PUMPS FOR 2007–'17 (EXCEPT 2017 TOURING MODELS) BIG TWIN AND 2006 DYNA® MODELS**

Cam*	Part #	MSRP
585GPE	<b>330-0145</b>	\$661.95
635GPE	<b>330-0369</b>	\$661.95
640GPE	<b>330-0144</b>	\$661.95



330-0145

\*See Camshafts starting page 85 of this catalog for further information on cam recommendations for different applications.



DISCLAIMER: NOT LEGAL FOR SALE OR USE IN CALIFORNIA ON ANY POLLUTION CONTROLLED MOTOR VEHICLE. Not legal for sale or use on any EPA pollution controlled motor vehicle.

## BILLET GEARCOVER

### FITMENT

- 1999–'17 Twin Cam 88°/96™/103™ *except 2017 touring models*

### BILLET GEARCOVER\*

Finish	Part #	MSRP
Polished	<b>31-6516</b> 	\$419.95
Chrome±	<b>106-3774</b> 	\$459.95

±  WARNING: Cancer and Reproductive Harm – [www.P65Warnings.ca.gov](http://www.P65Warnings.ca.gov)



31-6516

## NOTES

The S&S gearcover is not compatible with 1999–'01 engines with stock fuel injection or ignition systems which require a cam position sensor in the gearcover.

May be used in 1999–'01 engines if an aftermarket ignition or fuel injection system, that does not require a cam position sensor, is installed.

# CYLINDERS WITH PISTONS KIT

- Cylinder w/piston kits include fitted pistons and cylinders, head gaskets, base, and exhaust gaskets
- Cylinder kits with pistons are honed to fit the pistons included.



Displacement	Stroke	Bore	Cylinder Length	Piston Type	Dome Volume	83cc CNC Heads	85cc Stock Heads	89cc S&S Heads
						10.7:1	10.5:1	10.2:1
110"	4 3/8"	4.00"	4.937"	Forged	.75 pop up			

## 4" BORE BOLT-IN SIDEWINDER® BIG BORE KITS

Displacement	Silver	MSRP	WBlack	MSRP
110	<b>910-0650</b>	\$1,154.95	<b>910-0651</b>	\$1,154.95

**PISTON REPLACEMENT PARTS: PAGE 81**

DISCLAIMER: NOT LEGAL FOR SALE OR USE IN CALIFORNIA ON ANY POLLUTION CONTROLLED MOTOR VEHICLE. NOT LEGAL FOR SALE OR USE ON ANY EPA POLLUTION CONTROLLED MOTOR VEHICLE.

## S&S® 4 1/8" BORE CYLINDERS WITH PISTONS SPECIFICATION CHART FOR 124" AND 117" KITS

Displacement	Stroke	Cylinder Length	Forged Piston Type	Compression Ratio			
				85cc stock heads	89cc S&S heads	91cc S&S heads	SE 95cc heads
124"	4.625	5.004	Flat Top	11.4:1	11.0:1	10.8:1	10.5:1
124" Dish	4.625	5.004	10.9 cc dish	10.5:1	10.2:1	10.0:1	9.7:1
117"	4.375	4.878	Flat Top	10.9:1	10.5:1	10.3:1	10.0:1
117" Dish	4.375	4.878	10.9 cc dish	10.0:1	9.7:1	9.6:1	9.3:1
111"	4.125	4.754	Flat Top	10.3:1	9.9:1	9.8:1	9.4:1

## 4 1/8" BORE CYLINDERS WITH PISTONS FOR 124" AND 117" KITS

Displacement	STOCK HEADS OR S&S HEADS WITH STOCK BOLT PATTERN					
	Stone Gray	MSRP	Silver	MSRP	WBlack	MSRP
124"	<b>910-0469</b>	\$1,259.95	<b>910-0341</b>	\$1,259.95	<b>910-0338</b>	\$1,259.95
124" dish	<b>910-0490</b>	\$1,259.95	<b>910-0327</b>	\$1,259.95	<b>910-0324</b>	\$1,259.95
117"	<b>910-0474</b>	\$1,259.95	<b>910-0213</b>	\$1,259.95	<b>910-0221</b>	\$1,259.95
117" dish	—	—	<b>910-0321</b>	\$1,259.95	<b>910-0318</b>	\$1,259.95

DISCLAIMER: NOT LEGAL FOR SALE OR USE IN CALIFORNIA ON ANY POLLUTION CONTROLLED MOTOR VEHICLE. Not legal for sale or use on any EPA pollution controlled motor vehicle.

## S&S® BIG BORE KIT SPECIFICATION CHART FOR 106" & 107" KITS

Displacement	Bore	Stroke	Cylinder Length	Forged Piston Type	Compression Ratio (with provided .045" head gasket)			
					79cc S&S Heads	83cc CNC Ported Stock Heads	85cc Stock Heads	89cc S&S Heads
107"	3.937"	4 3/8"	4.937"	3cc Dome	11.2:1	10.7:1	10.5:1	10.1:1
106"	3.927"	4 3/8"	4.937"	Flat Top	10.6:1	10.2:1	10.0:1	9.7:1

Cylinder w/piston kits include pistons and cylinders that require no boring or honing.

## BOLT-IN BIG BORE KITS

Displacement	Silver	MSRP	WBlack	MSRP
107"	<b>910-0480</b>	\$1,102.95	<b>910-0500</b>	\$1,102.95
106"	<b>910-0202</b>	\$997.95	<b>910-0206</b>	\$997.95

DISCLAIMER: NOT LEGAL FOR SALE OR USE IN CALIFORNIA ON ANY POLLUTION CONTROLLED MOTOR VEHICLE. Not legal for sale or use on any EPA pollution controlled motor vehicle.



**ALL OTHER BORES AND FINISHES ARE AVAILABLE THROUGH SPECIAL ORDER**

\* Special Order: Download the Special Order Form at [sscycle.com/soforms](http://sscycle.com/soforms)

**91-7506\*** Call for Pricing

# CYLINDERS

- Individual cylinders and cylinder sets without pistons are bored slightly under nominal size and are not honed.



910-0497

## 4.425" BORE CYLINDERS WITHOUT PISTONS FOR T143

Displacement		Stone Gray	MSRP	WBlack	MSRP
143"	Set	<b>910-0562</b>	\$1,182.95	<b>910-0565</b>	\$1,182.95

DISCLAIMER: NOT LEGAL FOR SALE OR USE IN CALIFORNIA ON ANY POLLUTION CONTROLLED MOTOR VEHICLE. Not legal for sale or use on any EPA pollution controlled motor vehicle.

## 4 7/8" BORE CYLINDERS WITHOUT PISTONS FOR 124" AND 117" HOT SET UP KITS (STOCK BOLT PATTERN)

Displacement		Stone Gray	MSRP	Silver	MSRP	WBlack	MSRP
124" & 124" dish	Set	<b>910-0494</b>	\$755.95	<b>910-0392</b>	\$839.95	<b>910-0401</b>	\$839.95
117" & 117" dish	Set	<b>910-0497</b>	\$755.95	<b>910-0231</b>	\$755.95	<b>910-0252</b>	\$755.95

DISCLAIMER: NOT LEGAL FOR SALE OR USE IN CALIFORNIA ON ANY POLLUTION CONTROLLED MOTOR VEHICLE. Not legal for sale or use on any EPA pollution controlled motor vehicle.

### NOTE

S&S 4 7/8" pistons are machined to such close tolerances that it is not necessary to measure the piston. Additionally, the low friction coating on the piston skirt of early production pistons with out micrometer window makes taking measurements very difficult. Therefore, hone cylinders to nominal diameter +/- 0.0001" for correct clearance. Current production pistons have micrometer windows in the coating on the piston skirts that allow accurate measurements to be taken. These pistons may be installed by honing cylinder to nominal diameter +/- 0.0001" or by measuring piston and honing cylinder to achieve .002"–.0025" close clearance for street applications or .0032"–.0045" loose clearance for immediate competition use.

## 3.937" BORE CYLINDER

Displacement		Silver	MSRP	WBlack	MSRP
107"	Front or Rear	<b>910-0478</b>	\$419.95	<b>910-0477</b>	\$419.95

DISCLAIMER: NOT LEGAL FOR SALE OR USE IN CALIFORNIA ON ANY POLLUTION CONTROLLED MOTOR VEHICLE. Not legal for sale or use on any EPA pollution controlled motor vehicle.

## 3.927" BORE CYLINDERS

Displacement		Silver	MSRP	WBlack	MSRP
106"	Front or Rear	<b>910-0210</b>	\$419.95	<b>910-0212</b>	\$419.95

### NOTE

S&S 3.927" pistons are machined to such close tolerances that it is not necessary to measure the piston. Additionally, the low friction coating on the piston skirt of early production pistons with out micrometer window makes taking measurements very difficult. Therefore, hone cylinders to nominal diameter +/- 0.0001" for correct clearance. Current production pistons have micrometer windows in the coating on the piston skirts that allow accurate measurements to be taken. These pistons may be installed by honing cylinder to nominal diameter +/- 0.0001" or by measuring piston and honing cylinder to achieve .002"–.0025" close clearance for street applications or .0032"–.0045" loose clearance for immediate competition use.

## 3 7/8" BORE CYLINDERS

Displacement		Silver	MSRP	WBlack	MSRP
103" 	Set	<b>910-0207</b>	\$682.95	<b>910-0208</b>	\$682.95

### NOTE

S&S 3 7/8" pistons for 103" kits are machined to such close tolerances that it is not necessary to measure the piston. Additionally, the low friction coating on the piston skirt makes taking measurements very difficult. Therefore, hone cylinders to nominal diameter +/- 0.0001" for correct clearance.



**ALL OTHER BORES AND FINISHES ARE AVAILABLE THROUGH SPECIAL ORDER**

\*Special Order: Download the Special Order Form at [sscycle.com/soforms](http://sscycle.com/soforms)

**91-7506\*** Call for Pricing



# PISTON KITS

• Piston kits include set of pistons, rings, wristpins, and clips

## 4" BORE FORGED PISTON KITS FOR 110

Displacement	Deck Height	Stroke	Standard	MSRP
110	1.090"	4 $\frac{3}{8}$ "	<b>920-0127</b>	\$409.95



## 4.425" BORE FORGED PISTON KITS FOR T143

Displacement	Deck Height	Stroke	Standard	MSRP	+ .020"	MSRP
T143	1.167"	4 $\frac{3}{8}$ "	<b>920-0106</b>	\$650.95	<b>920-0111</b>	\$650.95



## 4 $\frac{1}{8}$ " BORE FORGED PISTON KITS FOR HOT SET UP KITS®

Displacement	Deck Height	Stroke	Standard	MSRP	+ .010"	MSRP	+ .020"	MSRP	+ .030"	MSRP
124" & 117" Stock Heads 10cc Dished	1.050"	Up To 4 $\frac{3}{8}$ "	<b>920-0046</b>	\$503.95	<b>920-0047</b>	\$503.95	<b>920-0050</b>	\$503.95	<b>920-0053</b>	\$503.95
124", 117" & 111" -Stock or S&S Heads Flat Top	1.050"	Up To 4 $\frac{3}{8}$ "	<b>106-3491A</b>	\$503.95	<b>106-3872A</b>	\$503.95	<b>106-3964A</b>	\$503.95	<b>920-0094</b>	\$503.95

## 10.6:1 HIGH COMPRESSION PISTONS FOR HARLEY-DAVIDSON® CVO™ 110 ENGINES

Fitment	Deck Height	Wristpin Diameter	Standard	MSRP	+ .010"	MSRP
2007-'17 bt CVO™ 110" engines	1.0895"	.927"	<b>920-0114</b>	\$472.95	<b>920-0115</b>	\$472.95

## 3.937" BORE FORGED PISTON KIT

Displacement	Deck Height	Stroke	Standard	MSRP
107"	1.085"	4 $\frac{3}{8}$ "	<b>920-0100</b>	\$419.95



## 3.927" BORE FORGED PISTON KITS FOR 106" TOP END KITS

Displacement	Deck Height	Stroke	Standard	MSRP	+ .010"	MSRP
106" Flat top	1.090"	4 $\frac{3}{8}$ "	<b>106-3690</b>	\$419.95	<b>106-4416</b>	\$419.95

## 3 $\frac{7}{8}$ " BORE FORGED PISTON KITS FOR 103" ENGINES

Displacement	Deck Height	Stroke	Standard	MSRP	+ .005"	MSRP	+ .010"	MSRP
103" Forged, 5.2cc pop-up dome	1.083"	4 $\frac{3}{8}$ "	<b>106-0432</b>	\$398.95	<b>106-0433</b>	\$398.95	<b>106-0434</b>	\$398.95

### NOTE

S&S' 4 $\frac{1}{8}$ " and 3.927" pistons are machined to such close tolerances that it is not necessary to measure the piston. Additionally, the low friction coating on the piston skirt of early production pistons with out micrometer window makes taking measurements very difficult. Therefore, hone cylinders to nominal diameter +/- 0.0001" for correct clearance. Current production pistons have micrometer windows in the coating on the piston skirts that allow accurate measurements to be taken. These pistons may be installed by honing cylinder to nominal diameter +/- 0.0001" or by measuring piston and honing cylinder to achieve .002" - .0025" close clearance for street applications or .0032" - .0045" loose clearance for immediate competition use.

S&S 3 $\frac{7}{8}$ " pistons for 103" kits are machined to such close tolerances that it is not necessary to measure the piston. Additionally, the low friction coating on the piston skirt makes taking measurements very difficult. Therefore, hone cylinders to nominal diameter +/- 0.0001" for correct clearance.

# REPLACEMENT PARTS FOR PISTONS

## REPLACEMENT CHROMOLY FACED PISTON RINGS

Bore	Standard	MSRP	+.005"	MSRP	+.010"	MSRP	+.020"	MSRP	+.030"	MSRP
4.425"	<b>940-0043</b>	\$167.95	–	–	–	–	<b>940-0044</b>	\$167.95	–	–
4 1/8"	<b>940-0014</b>	\$62.95	–	–	<b>940-0012</b>	\$62.95	<b>940-0013</b>	\$62.95	<b>940-0017</b>	\$167.95
3 7/8"	<b>94-1290X</b>	\$41.95	<b>94-1294X</b>	\$41.95	<b>94-1291X</b>	\$41.95	–	–	–	–
3.927"	<b>106-3709A</b>	\$52.95	–	–	<b>106-4422A</b>	\$52.95	–	–	–	–
3.937"	<b>940-0032*</b>	\$62.95	–	–	–	–	–	–	–	–
4"	<b>940-0056</b>	\$83.95	–	–	–	–	–	–	–	–

\*Only includes one set of rings.

## REPLACEMENT PISTON WRISTPINS

Description	Part #	MSRP
Wristpin	For 4.425" Pistons	<b>940-0037</b> \$20.95
	For 4 1/8", 3 7/8", 3.927" Pistons	<b>106-1052</b> \$23.95
	For 3.937" Pistons	<b>940-0033</b> \$31.95
	For 4" Pistons	<b>940-0057</b> \$78.95

## REPLACEMENT PISTON KEEPERS

Description	Part #	MSRP
Keeper	each	<b>94-9278-5</b> \$3.95
	2 pack	<b>94-9278-2</b> \$5.95
	4 pack	<b>106-2304</b> \$5.95
Keeper for 4.425"	each	<b>94-9278-5</b> \$3.95
Keeper for 3.937" & 4"	2 pack	<b>940-0034</b> \$20.95



# POWER PACK

Bump 1999–'06 engines from 88ci to 100ci and 2007–'17 engines from 96ci or 103ci to 110ci with the new S&S 4" big bore kit. The kit also includes matched cams, cam plate, oil pump and everything else a high performance big inch engine needs to reliably make serious power.

## FITMENT

- All 2007–'17 big twin models and 2006 Dyna® models, *except 2017 touring models*

## FEATURES AND BENEFITS

- Largest big bore kit available without doing crankcase mods
- Upgrade Twin Cam 88® to 100 cu inches
- Upgrade Twin Cam 96® and Twin Cam 103™ to 110† cu inches
- Cylinders fit to pistons—No machining required
- All parts required to upgrade to gear drive cam or hydraulic tensioners
- Engineered package to deliver the best bolt-in performance available



## POWER PACKAGE KIT

Fitment	Finish	Cam	Drive	Part #	MSRP
2007–'17 <i>except '17 touring models</i>	Silver	585CE	Chain	<b>330-0666</b>	\$2,887.95
2007–'17 <i>except '17 touring models</i>	Silver	585GE	Gear	<b>330-0667</b>	\$2,992.95
2007–'17 <i>except '17 touring models</i>	Black	585CE	Chain	<b>330-0668</b>	\$2,887.95
2007–'17 <i>except '17 touring models</i>	Black	585GE	Gear	<b>330-0669</b>	\$2,992.95

DISCLAIMER: NOT LEGAL FOR SALE OR USE IN CALIFORNIA ON ANY POLLUTION CONTROLLED MOTOR VEHICLE. Not legal for sale or use on any EPA pollution controlled motor vehicle.

## NOTES

- 1999–'04 engines will require the additional purchase of valve springs pn 900-0593
- Pinion shaft runout must be less than .003" to use gear drive cams
- Kit not available to fit '06 Dyna® models but parts may be purchased separately.
- Not for use with S&S 79cc Cylinder Heads



# CAMSHAFT OVERVIEW

**OES:** Original Equipment Specification (OES) A bolt-in replacement cam with stock cam timing is designed for riders with stock engines. Does not require tuning. Bolt-in stock. Equivalent to HD® A-Grind

**MR103:** Designed as bolt-in cams for 103 CID engines with stock 9.7:1 compression ratio up to 10.5:1. Works well with stock, un-ported heads, but is great for S&S CNC ported heads. More power across the rpm range best results form 2500–5500 rpm. Bolt-in.

**HP103:** Designed as bolt in cams for engines with 103 and stock 9.7:1 compression up to 10.5:1. Works well with stock, un-ported heads, but is great for S&S CNC ported heads. Best power in the higher rpm range, 3000–6000 rpm. Bolt-in.

**635 H.O.:** High lift cam for modified engines with 106" or greater displacement and compression ratios between 10.0:1 and 11.0:1. Works well with stock, un-ported heads, but S&S CNC ported heads are recommended. Best power from 3000–6000 rpm. This is not a bolt-in cam set. High-lift springs and clearance checks are required.

**510:** Designed as a bolt-in cam for 88, 95, and 96 CID engines with compression ratios below 9.7:1, it is primarily intended for use with stock, un-ported heads. 3000–5500 rpm. Bolt-in.

**551:** Designed for engines with 96 to 106 CID and 9:1 to 9:9 compression, this is a bolt-in cam set designed for stock or mildly modified touring bikes. 551 cams are not recommended for compression ratios of 10:1 or greater. Greatly improves low-end and midrange torque, strongest from idle–4000rpm. Bolt-in torque.

**557:** Designed for Tri Glide® models, this bolt-in cam, with its short duration, produces lots of usable torque. The camshaft's stock base circle permits the use of stock pushrods. However, we recommend S&S Quickee Adjustable pushrods for easy installation. Fits all 2009–2012 Harley-Davidson® Tri Glide® models. Bolt-in.

**570:** Designed for 88 to 103 CID engines with compression ratios between 9:1 and 10:1, this bolt-in cam will provide a nice power increase across the entire power band. 3200–5700 rpm. Excellent bolt-in for overall power on 103". Bolt-in overall.

**583:** Optimized for use in the Softail®/Dyna® lines, this bolt-in cam makes horsepower and torque that you can feel all the way through the rpm range, making the most power right where you need it: 1500–5000rpm. Bolt-in. 583 cams are not recommended for engines having compression ratios greater than 10.1:1.

**585:** Designed for 88 to 106 CID engines with compression ratios from 9.7:1 to 10.5:1 and 106 to 124 CID engines from 9:1 to 10:1 compression. This bolt-in cam provides massive horsepower and torque increases starting at 3000rpm and holds steady all the way to redline. 3500–6000 rpm for 88"–103" engines and 2500–5500 for larger engines.

**625:** Cam set designed for 95" or larger engines with compression ratios between 10.0 and 10.75:1. 3000–6000 rpm.

**640:** Used in S&S T124 engines, this cam makes horsepower! Intended for engines of 95 CID or more w/compression ratios between 10.5:1 and 11.5:1. 3000–6000 rpm.

**675:** A high lift monster, this cam set is designed for 120" or larger engines with at least 11:1 compression ratio. 4500–6500 rpm.



## S&S EASY START CAMS

Start any engine regardless of displacement or compression ratio, with a stock starter. Easy Start Cams from S&S® Cycle make hard starting obsolete for 1999-'16 big twins. Available in economical chain drive and rock-solid gear

drive versions. Don't get caught "dead" without them!

### FEATURES AND BENEFITS

- Start any engine with a stock starter
- Save your starter and battery!
- Reliable—tested for 100,000 accumulative starts and over 150,000 road miles without breakage or compression release failure!
- Automatic—no buttons to push

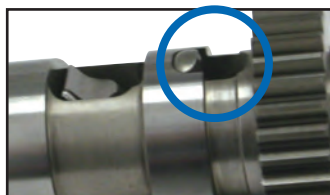
### OPTIONS

- Chain drive or gear drive (See the following pages for part numbers)

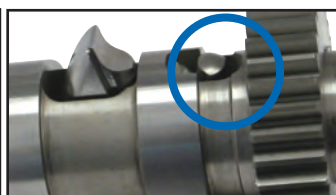
### HERE'S HOW IT WORKS

Each of the two exhaust cam lobes are equipped with a spring loaded compression release lobe on the "heel" of the cam at the point where the valve would normally be fully closed.

The lobe holds the exhaust valve open slightly at cranking speed. This releases some of the compression, making the engine much easier to crank. Once the engine starts, and rpm increases, the compression release lobe is centrifugally retracted and the engine runs normally, with full compression, and without any loss in performance. This allows a stock starter and battery to start nearly any engine.



The compression release lobe reduces compression until the engine starts.



Increased rpm causes the compression release lobe to be centrifugally retracted so the engine runs normally.

# CAMSHAFT OVERVIEW

## CON'T

SPECIFICATIONS OF S&S® CHAIN DRIVE AND GEAR DRIVE CAMSHAFTS FOR 2007-17 BIG TWIN (EXCEPT 2017 TOURING MODELS)													
Cam Name	Bolt-In	Valve Timing (open/close)		Valve Duration		Valve Lift	Centerline		Lift @ TDC		APPLICATION CROSS REFERENCE CHART		
		Intake	Exhaust	Intake	Exhaust		Intake	Exhaust	Intake	Exhaust	HD® Screamin' Eagle®	Andrews®	Most Fitting Application
		Open BTDC/ Close ABDC	Open BBDC/ Close ATDC	Intake	Exhaust		Intake	Exhaust	Intake	Exhaust			
510	●	20°/38°	52°/20°	238°	252°	.510"	99°	106°	.187"	.178"			
551**	●	17°/19°	41°/17°	216°	238°	.550"	91°	102°	.178"	.170"	SE-203/255	21H/26H	Touring
557	●	6°/27°	39°/12°	212°	231°	.557"	100°	103°	.113"	.146"			Tri-Glide®
570	●	20°/40°	55°/20°	240°	255°	.570"	100°	107.5°	.187"	.179"	–	54H	All big twin
583	●	5°/18°	58°/24°	203°	262°	.583"	96.5°	107°	.113"	.206"	SE-203/255	21H/26H	Softail®/Dyna®
585	●	20°/45°	60°/20°	245°	260°	.585"	102.5°	110°	.186"	.179"	SE-211/251/257	31H/32H/50H 55H/67H	All big twin
625		20°/55°	60°/20°	255°	260°	.625"	107.5°	110°	.189"	.184"	SE-258/260	60H	All big twin
640		25°/60°	65°/25°	265°	270°	.640"	107.5°	110°	.228"	.214"	SE-264	59H	All big twin
675		25°/64°	70°/25°	269°	275°	.675"	109.5°	112.5°	.235"	.205"	–	64H	All big twin

\*\*551 cams are not recommended with compression ratio of 10:1 or higher.

S&S® CAMSHAFT SPECIFICATIONS										
Cam Name	Valve Timing		Valve Duration		Valve Lift		Lobe Center Line		Valve Lift @ TDC	
	Intake	Exhaust	Intake	Exhaust	Intake	Exhaust	Intake	Exhaust	Intake	Exhaust
	Open BTDC/ Close ABDC	Open BBDC/ Close ATDC								
OES	-9°/25°	42°/-3°	196°	219°	.474"	.474"	107°	112.5°	.087"	.110"
MR103	13°/33°	50°/22°	226°	252°	.585"	.585"	100°	104°	.172"	.177"
HP103	20°/49°	45°/26°	249°	251°	.575"	.575"	102.7°	101.5°	.199"	.206"
635 H.O.	19.5°/43.5°	58.5°/37.5°	243°	276°	.635"	.635"	102°	100.5°	.186"	.284"

## NOTE

Stock valve springs in 2005-up engines can accommodate valve lifts up to .590".

# GEAR DRIVE CAM KITS

## FITMENT

- 2006 Dyna® and 2007–'17 big twins, except 2017 touring models

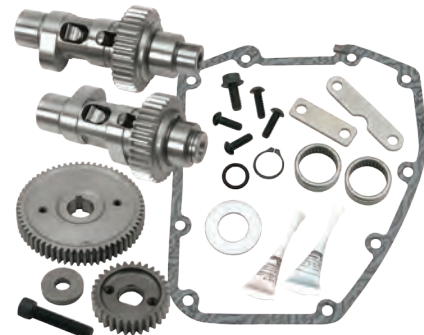
## FEATURES AND BENEFITS

- Improves valve timing accuracy by eliminating timing chain lash
- Easy Start cams allow stock starter to start any engine
- No tensioner shoes to wear out or fail

## OPTIONS

Which S&S Gear Drive Cam Kit to Order?

- If updating a stock chain drive system, it's easiest to order a complete kit. Includes:
  - Camshafts with inner gears
  - Outer cam drive gear kit
  - Camshaft installation kit
- If replacing cams in an engine already equipped with S&S gear drive cams, order cams with inner gears and reuse the existing outer gears. Camshaft installation kit for the appropriate model year is recommended.
- If installing a set of gear drive cams from another manufacturer, order S&S cam gear kits for the appropriate model year. Each kit provides the inner cam gear as well as an outer cam gear. Camshaft installation kit for the appropriate model year is recommended.



106-5737

## GEAR DRIVE CAMS FOR 2007–'17 BIG TWIN MODELS (EXCEPT 2017 TOURING MODELS)

Cam Name	Easy Start Cams						Standard cams			
	Complete Kit**		Cams w/Inner Gears†				Complete Kit**		Cams w/Inner Gears†	
	Stock Oil Pump	MSRP	Stock Oil Pump	MSRP	S&S Gear Oil Pump	MSRP	Stock Oil Pump	MSRP	Stock Oil Pump	MSRP
510	–	–	–	–	–	–	<b>33-5266</b>	\$797.95	<b>33-5246</b>	\$510.95
551	<b>106-5737</b>	\$899.95	<b>106-5736</b>	\$614.95	–	–	<b>106-4868</b>	\$797.95	<b>106-4870</b>	\$510.95
557*	<b>330-0057</b>	\$899.95	<b>330-0056</b>	\$614.95	–	–	<b>330-0109</b>	\$766.95	–	–
570	<b>106-5221</b>	\$899.95	<b>106-5220</b>	\$614.95	–	–	<b>33-5267</b>	\$797.95	–	–
583	<b>106-5811</b>	\$899.95	<b>106-5810</b>	\$587.95	–	–	<b>330-0111</b>	\$796.95	–	–
585	<b>106-5225</b>	\$899.95	<b>106-5224</b>	\$614.95	<b>330-0145</b>	\$661.95	<b>33-5268</b>	\$797.95	<b>33-5248</b>	\$464.95
625	<b>106-5229</b>	\$899.95	<b>106-5228</b>	\$614.95	–	–	<b>33-5269</b>	\$797.95	<b>33-5249</b>	\$488.95
640	<b>106-4850</b>	\$899.95	<b>106-4849</b>	\$614.95	<b>330-0144</b>	\$661.95	<b>33-5270</b>	\$797.95	<b>33-5250</b>	\$464.95
675	<b>106-5741</b>	\$899.95	<b>106-5740</b>	\$614.95	–	–	<b>330-0113</b>	\$797.95	–	–
MR103	<b>330-0303</b>	\$899.95	<b>330-0302</b>	\$614.95	–	–	–	–	–	–
HP103	<b>330-0354</b>	\$899.95	<b>330-0353</b>	\$614.95	–	–	<b>330-0350</b>	\$766.95	<b>330-0349</b>	\$495.95
635 H.O.	<b>330-0339</b>	\$899.95	<b>330-0338</b>	\$614.95	<b>330-0369</b>	\$661.95	<b>330-0335</b>	\$766.95	<b>330-0334</b>	\$495.95

2006 Dyna® uses 2007-up style cams.

\*For Harley-Davidson® Tri Glide® models.

\*\*Complete kits include inner and outer gears, and installation kit.

† Installation kit not included but recommended.



106-6068

### INSTALLATION KIT FOR S&S GEAR DRIVE CAM\*

Models	Part #	MSRP
2006 Dyna® and 2007–'17 big twins, except 2017 touring models	<b>106-6068</b>	\$51.95

Includes a gearcover gasket, bearings, oil passage block-off kit, retaining ring, o-ring, thread lock and instructions. \*This kit is included with all Complete Gear Drive Cam Kits.



106-5723

### Oil passage block-off kit

Use this kit to block oil passages in cam plate when hydraulic cam chain tensioners are removed to install gear drive cams. Fits any cam plate designed for hydraulic tensioners. This oil passage block-off kit is included in the cam installation kit, part #106-6068.

## NOTES

Fuel injection tuning required.

Pinion shaft run-out must be checked before installing S&S® gear drive cams.

A hydraulic press and other professional tools are required to install S&S gear drive cams. Additionally, material must be removed from the inner surface of the stock gearcover. The stock crankcase may require clearancing for S&S .625", .640", and .675" lift cams. S&S recommends that gear drive cams be installed by a professional mechanic.

Due to the inherent characteristics of gear drives, you may experience more valve train noise with gear driven cams. Oversized and undersized gears are available to help achieve correct gear lash. We have found that with 160 lb. of valve seat force, the S&S gear drive cams will perform well up to 6200 rpm. If higher rpm is anticipated, valve springs that provide higher seat force should be used.

S&S can do a special order cam. Contact your S&S Customer Service Representative for more information.

DISCLAIMER: NOT LEGAL FOR SALE OR USE IN CALIFORNIA ON ANY POLLUTION CONTROLLED MOTOR VEHICLE. Not legal for sale or use on any EPA pollution controlled motor vehicle.

# CHAIN DRIVE CAM KITS

## FITMENT

- 2006 Dyna® and 2007–2017 big twins, *except 2017 touring models*

## FEATURES AND BENEFITS

- Great way to increase performance at an affordable price
- Quick installation—reuse many stock components
- Easy Start cams allow stock starter to start any engine

## KIT CONTENTS

- Cams
- Installation Kit: gearcover gasket, bearings, retaining ring, o-ring, thread lock
- Instructions

## S&S CHAIN DRIVE CAM KITS FOR 2007–'17 BIG TWIN MODELS

(EXCEPT 2017 TOURING MODELS)

Cam Name	Standard	MSRP	Easy Start	MSRP
OES	<b>330-0293</b>	\$345.95	–	–
510	<b>106-4380</b>	\$345.95	–	–
551	<b>106-4858</b>	\$345.95	<b>106-4947</b>	\$449.95
557*	<b>330-0105</b>	\$345.95	<b>330-0053</b>	\$449.95
570	<b>106-4381</b>	\$345.95	<b>106-5234</b>	\$449.95
583	<b>330-0106</b>	\$345.95	<b>106-5807</b>	\$449.95
585	<b>106-4382</b>	\$345.95	<b>106-5233</b>	\$449.95
625	<b>106-4383</b>	\$345.95	<b>106-5239</b>	\$449.95
640	<b>106-4399</b>	\$345.95	<b>106-5235</b>	\$449.95
MR103	<b>330-0470</b>	\$345.95	<b>330-0299</b>	\$449.95
HP103	<b>330-0343</b>	\$345.95	<b>330-0346</b>	\$449.95
635 H.O.	<b>330-0328</b>	\$345.95	<b>330-0331</b>	\$449.95

Note: 2006 Dyna® uses 2007-up style cams. \*For Harley-Davidson® Tri Glide® models.



106-4947

## REPLACEMENT INSTALLATION KIT FOR S&S CHAIN DRIVE CAM\*

Models	Part #	MSRP
2006 Dyna® and 2007–'17, <i>except 2017 touring models</i>	<b>106-5929</b>	\$38.95

Includes a gearcover gasket, cam bearings, retaining ring, o-ring, thread lock and instructions.

\*This kit is included with all S&S Chain Drive Cam Kits.

## NOTES

Fuel injection tuning required.

551 & 583 cams are not recommended with compression ratio of 10:1 or higher.

S&S can do a special order cam. Contact your S&S Customer Service Representative for more information.

DISCLAIMER: NOT LEGAL FOR SALE OR USE IN CALIFORNIA ON ANY POLLUTION CONTROLLED MOTOR VEHICLE. Not legal for sale or use on any EPA pollution controlled motor vehicle.

# CAM RELATED REPAIR PARTS



33-4285

33-4160Z

31-4499

## REPLACEMENT GEARS\* FOR 2006 DYNA® AND 2007–'17 MODELS

(EXCEPT 2017 TOURING MODELS)

Description		Part #	MSRP
Outer cam drive gear only		<b>330-0621</b>	\$188.95
Front inner cam gear		<b>330-0593</b>	\$126.95
Rear inner cam gear	Standard	<b>330-0593</b>	\$126.95
	Undersized	<b>330-0594</b>	\$126.95
	Oversized	<b>330-0595</b>	\$126.95
Pinion Gears	Standard	<b>330-0622</b>	\$98.95
	Undersized	<b>330-0626</b>	\$108.95
	Oversized	<b>330-0627</b>	\$108.95

\*Due to machining variations in the stock cam plate, oversized or undersized gears may be needed to achieve correct gear lash.

## CAM GEAR DRIVE KIT

Fitment	Part #	MSRP
2006 Dyna® and all 2007–'17 models, <i>except 2017 touring models</i>	<b>33-4285</b>	\$524.95

Includes front and rear inner cam gears, pinion gear, and outer cam gear

## OUTER CAM GEAR DRIVE KIT

Fitment	Part #	MSRP
2006 Dyna® and all 2007–'17 models, <i>except 2017 touring models</i>	<b>33-4268</b>	\$294.95

Includes 2 outer gears and hardware

## REPLACEMENT HARDWARE FOR OUTER CAM GEAR DRIVE

Description	Part #	MSRP
Hardware Kit for 2006 Dyna® and all 2007–'17 models, <i>except 2017 touring models</i>	<b>33-4271P</b>	\$10.95
Replacement Key for 2006 Dyna® and all 2007–'17 models, <i>except 2017 touring models</i>	<b>106-1348</b>	\$4.95

## CAM NEEDLE BEARINGS ASSEMBLIES

Description		Part #	MSRP
Inner Cam Bearing	each	<b>31-4199-S</b> 9215	\$16.95
	2 pack	<b>31-4499</b> 9215	\$33.95

All reference to HD® part numbers is for identification purposes only. We in no way are implying that any of S&S Cycle's products are original equipment parts or that they are equivalent to the corresponding HD® part number shown.

# CAM CHEST UPGRADE GEAR OR CHAIN DRIVE

## FITMENT

- 2007–'17 Harley-Davidson® big twins (except 2017 touring) & 2006 Dyna® models

## FEATURES

- Upgrade to S&S bolt-in performance chain drive or gear drive camshafts
- Improved engine performance—higher lift and optimized cam timing
- S&S Quickee pushrods—easy installation, without removing rocker covers
- Replace stock oil pump, cam support plate, cams, chain tensioners, and tappets with all new premium U.S. made S&S components
- Better, more consistent oil pressure



### CHAIN DRIVE CAM CHEST UPGRADE KIT FOR 2007–'17 BIG TWIN (EXCEPT 2017 TOURING) & DYNA® MODELS

Fitment	Cam	Part #	MSRP
2007–up bt and 2006 Dyna models	551CE Easy Start	<b>330-0544</b>	\$1,837.95
	583CE Easy Start	<b>330-0545</b>	\$1,837.95
	585CE Easy Start	<b>330-0546</b>	\$1,837.95
	585C Standard	<b>330-0553</b>	\$1,742.95

DISCLAIMER: NOT LEGAL FOR SALE OR USE IN CALIFORNIA ON ANY POLLUTION CONTROLLED MOTOR VEHICLE. NOT LEGAL FOR SALE OR USE ON ANY EPA POLLUTION CONTROLLED MOTOR VEHICLE.

### GEAR DRIVE CAM CHEST UPGRADE KIT FOR 2007–'17 BIG TWIN (EXCEPT 2017 TOURING) & DYNA® MODELS

Fitment	Cam	Part #	MSRP
2007–up bt and 2006 Dyna Models	510G Standard	<b>310-0814</b>	\$1,889.95
	551GE Easy Start	<b>310-0815</b>	\$1,994.95
	585GE Easy Start	<b>310-0816</b>	\$1,994.95

DISCLAIMER: NOT LEGAL FOR SALE OR USE IN CALIFORNIA ON ANY POLLUTION CONTROLLED MOTOR VEHICLE. NOT LEGAL FOR SALE OR USE ON ANY EPA POLLUTION CONTROLLED MOTOR VEHICLE.

# HYDRAULIC CAM CHAIN TENSIONER KIT

## FITMENT

- 2007–'17 except 2017 touring & 2006 Dyna® models
- 1999–'06 models with hydraulic cam plate upgrade

## FEATURES

- Thicker shoe for longer wear
- Direct chain oiling
- Larger piston
- Tighter tolerance for improved stability
- Made in USA

### HYDRAULIC CAM CHAIN TENSIONER KIT

Fitment	Part #	MSRP
2007–'17 except 2017 touring models	<b>330-0518</b>	\$139.95



### REPLACEMENT PARTS

Description	Part #	MSRP
Tensioner, Asm, Inner, Body, Cam Chain	<b>330-0519</b>	\$73.95
Tensioner, Assembly, Outer, Body, Cam Chain	<b>330-0520</b>	\$73.95
Tensioner Shoe, Chain, Camshaft	<b>330-0521</b>	\$25.95



# PREMIUM HIGH PERFORMANCE TAPPETS

## FITMENT

- 1999–2017 big twins
- S&S-T-Series engines

## FEATURES

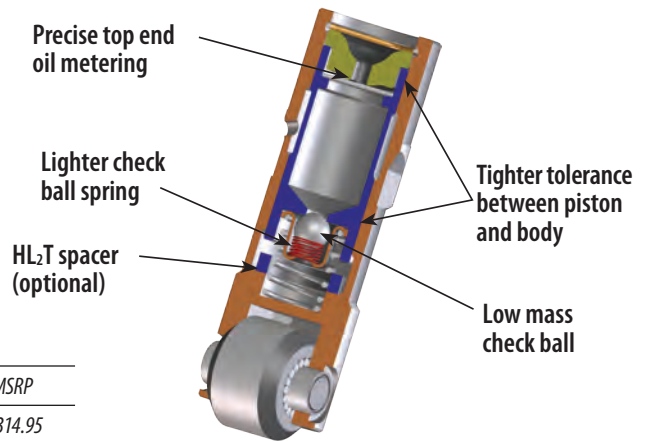
- Reduced valve train noise from start up to shut down
- Close tolerances for low leak down rates - *fast pump up and superior high rpm performance*
- Low mass, bearing grade, silicon nitride check ball and lighter check ball spring - *enhances fast pump up and quiet operation*
- 100% tested to ensure that leak down and top end oil flow are within specification



330-0174

## PREMIUM HIGH PERFORMANCE TAPPETS

Tappet Sets	Part #	MSRP
Set of 4 tappets with HL <sub>2</sub> T kit	<b>330-0174</b>	\$314.95
Set of 4 tappets without HL <sub>2</sub> T kit	<b>330-0175</b>	\$293.95



# HIGH PERFORMANCE HYDRAULIC TAPPETS

## FITMENT

- 1999–'17 big twins
- S&S-T-Series engines



## HIGH PERFORMANCE HYDRAULIC TAPPET SETS

Description		Part #	MSRP
Standard Tappet Set (4)	Without HL <sub>2</sub> T Kit	<b>33-5350</b> 18538-99A, 18538-99B, 18538-99C	\$141.95

\*S&S tappets with HL<sub>2</sub>T Kit require the use of adjustable pushrods.

# HYDRAULIC LIFTER LIMITED TRAVEL SPACER (HL<sub>2</sub>T)

## FITMENT

- Stock 1999–'17 big twin
- All S&S tappets

## FEATURES AND BENEFITS

- Designed to limit the range of travel of the hydraulic tappet plunger - *Easier starting*
- More horsepower at higher RPMs



## HYDRAULIC LIFTER LIMITED TRAVEL SPACER

Description	Part #	MSRP
Set of four spacers (fits tappets with .612" I.D.)	<b>33-5338</b> 18526-89A	\$21.95

Adjustable pushrods must be used with HL<sub>2</sub>T kit in order to obtain proper plunger position. If replacing lifters in a 1999-'02 with HD® #18538-99B, order S&S part #33-5338.

# TAPPET COVERS

## FITMENT

- 1999–'17 big twins, *except 2017 touring models*
- S&S crankcases

## KIT CONTENTS

- Covers
- Gaskets
- Installation hardware

## FEATURES AND BENEFITS

- CNC billet aluminum provides extra strength and dimensional stability over a wide temperature range
- Simple to install upgrade that looks great

## TAPPET COVER KITS

Finish	Part #	MSRP
Polished	<b>33-5601</b>	\$208.95
Chrome	<b>106-3883</b> ±	\$279.95
Chrome 4 3/8" style	<b>330-0281</b> ±	\$273.95



33-5601

± WARNING: Cancer and Reproductive Harm – www.P65Warnings.ca.gov

## REPLACEMENT PARTS FOR TAPPET COVERS

Descriptions	Part #	MSRP
Gasket	<i>each</i> <b>33-5303-S</b> 18635-99B	\$3.95
	<i>2 pack</i> <b>33-5303-2</b> 18635-99B	\$6.95
Tappet Cover Gasket 4 3/8" style	<i>each</i> <b>330-0282</b>	\$5.95
Screw w/flat washer, Zinc	<i>each</i> <b>50-0092-S</b> 4741A	\$2.95
	<i>4 pack</i> <b>50-0092P</b> 4741A	\$5.95
Screw, Chrome	<i>each</i> <b>50-0482</b> ±	\$3.95
Washer, Flat, Chrome	<i>each</i> <b>50-7017</b> ±	\$2.95

± WARNING: Cancer and Reproductive Harm – www.P65Warnings.ca.gov

All reference to HD® part numbers is for identification purposes only. We in no way are implying that any of S&S Cycle's products are original equipment parts or that they are equivalent to the corresponding HD® part number shown.

# TIME-SAVER ADJUSTABLE PUSHRODS

## FITMENT

- 1999–'17 big twins, except 2017 touring models

## FEATURES AND BENEFITS

- No need to remove rocker covers to install
- Speeds up installation of cams and rockers arms
- Makes upper-engine work easy!
- Can be installed with stock pushrod tubes

### TIME-SAVER ADJUSTABLE PUSHRODS

Description	Part #	MSRP
Pushrod Set	930-0053	\$167.95

# QUICKEE ADJUSTABLE PUSHRODS

GLOSS BLACK ALSO AVAILABLE

## FITMENT

- 1999–'17 big twins (except 2017 touring models) w/stock engine height +/- .050"

## FEATURES AND BENEFITS

- Adjustable to accommodate all tappets and cam base circle diameters and engine heights
- Easy to install—removal of rocker box not needed
- Perfect for S&S HL<sub>2</sub>T
- No threads on wrench flats
- Also available in gloss black

## KIT CONTENTS

- Pushrods, gloss black or chrome pushrod covers, o-rings, and cover keepers



When a Quickee adjustable pushrod is collapsed, it can easily be installed or removed from an assembled engine.



930-0143

### QUICKEE ADJUSTABLE PUSHRODS

Description	Part #	MSRP
Gloss Black Pushrod Kit <i>(includes black pushrod covers, o-rings &amp; cover keepers)</i>	930-0143	\$272.95
Chrome Pushrod Kit <i>(includes chrome pushrod covers, o-rings &amp; cover keepers)</i>	106-6051	\$246.95
Pushrods Only*	93-5122	\$167.95

Longer keepers are required for taller than stock engines. page 91 of this catalog for pushrod cover keepers.

\*1984–99 style pushrod covers are required for access to the Quickee Adjustable Pushrod adjusters in 2007–'12 big twins. page 91 for pushrod covers.

⚠️ **WARNING:** Cancer and Reproductive Harm — www.P65Warnings.ca.gov

# STANDARD ADJUSTABLE PUSHRODS

## FITMENT

- 1999–'17 big twins, except 2017 touring models
- Lengths available for various displacements

## FEATURES AND BENEFITS

- Adjustable to accommodate all tappets & cam base circle diameters
- Perfect for HL<sub>2</sub>T kits

## KIT CONTENTS

- Pushrods, chrome pushrod covers, tappet cover gaskets, o-rings, cover keepers



93-5095±

### STANDARD ADJUSTABLE PUSHRODS FOR HARLEY-DAVIDSON® TWIN CAM 96™/103™

Displacement	Engine Height	Cylinder Length	Pushrod Kit	MSRP	Pushrods Only	MSRP	Pushrod Covers	MSRP	Cover Keepers	MSRP
96", 103", 106"	Stock	4.937"	93-5095±	\$197.95	93-5096	\$121.95	106-1340±	\$154.95	93-4100	\$31.95
124"	+ .096"	5.013"	—	—	93-5098	\$121.95	106-1340±	\$154.95	93-4115	\$39.95
143"	+ .2875"	5.057"	—	—	930-0103	\$144.95	106-1340±	\$154.95	93-4102	\$31.95
Special Order	Specify	Specify	—	—	93-5102**	Call for Pricing	—	—	93-4109*	Call for Pricing

\*Custom, extra long stainless steel 4.250", customer to cut to required length

\*\*Special Order: Download the Special Order Form at [sscycle.com/soforms](http://sscycle.com/soforms)

⚠️ **WARNING:** Cancer and Reproductive Harm — www.P65Warnings.ca.gov

# NON-ADJUSTABLE PUSHRODS

## FITMENT

- 2007–'17 Harley-Davidson® Twin Cam 96™ and 103™ big twin engines, except 2017 touring models

## FEATURES AND BENEFITS

- Replaces stock pushrods perfectly
- 7/16" high strength chromoly steel tubing for increased strength
- Pushrods are marked with stock color code and valve position for easy installation



## NON-ADJUSTABLE PUSHRODS

Description	Part #	MSRP
Pushrods Only	<b>930-0046</b>	\$71.95
Replacement Pushrods for S&ST111	<b>930-0144</b>	\$66.95

# PUSHROD COVERS & RELATED PARTS

## PUSHROD REPLACEMENT PARTS

Description	Part #	MSRP
Pushrod Cover Kit (includes top & bottom covers, cover cap, cover spring, spring washer, & o-rings for four pushrods)	Chrome	<b>106-1340</b> \$154.95
	Gloss Black	<b>930-0124</b> \$167.95
Top Cover	<b>93-4016</b> 17935-66T, 17935-79B	\$13.95
Bottom Cover	<b>93-4015</b> 17938-83	\$14.95
Cover Cap	<b>93-4017</b> 17945-36B	\$9.95
Cover Spring	<b>93-4018</b> 17947-36	\$2.95
Cover Cap Washer	<b>50-7131</b> 6762B	\$2.95
Pushrod O-ring Kit (includes top, middle, & bottom o-rings for four pushrods)	<b>93-4022</b> 11293, 11157, 11101, 11190	\$7.95
Top O-ring	<b>50-8039</b>	\$2.95
Middle O-ring	<b>50-8038</b> 11132A	\$2.95
Bottom O-ring	<b>50-8037</b> 11145A	\$2.95



93-4016

93-4015



93-4017



93-4018



50-7131



50-8037



50-8039



50-8038

## PUSHROD COVER KEEPER SETS FOR 2007–'17 BIG TWINS

Length	S&STubes	Part #	MSRP
2.400"	All stock height TC 96/103	<b>93-4070</b> ± 17950-48	\$31.95
2.500"	Chrome	<b>93-4100</b> ±	\$31.95
	Gloss Black	<b>930-0142</b>	\$62.95
2.600"	124"	<b>93-4101</b> ±	\$31.95
2.800"		<b>93-4115</b> ± 17950-86	\$31.95
2.900"	143"	<b>93-4102</b> ±	\$31.95
3.000"		<b>93-4103</b> ±	\$31.95
3.100"		<b>93-4104</b> ±	\$31.95
3.200"		<b>93-4105</b> ±	\$31.95
3.330"		<b>93-4106</b> ± 17949-40, 17950-66	\$31.95
3.500"		<b>93-4107</b> ±	\$31.95
3.625"		<b>93-4108</b> ±	\$31.95
4.250"*		<b>93-4109</b>	\$39.95



93-4101±

All S&S pushrod keepers are chromed steel, except part #93-4109. Keeper part #93-4109 is intended for unusually tall engines. It is manufactured of unchromed stainless steel to prevent rust or peeling after it is trimmed to the required length.

All reference to HD® part numbers is for identification purposes only. We in no way are implying that any of S&S Cycle's products are original equipment parts or that they are equivalent to the corresponding HD® part number shown.

\*Custom, extra long stainless steel 4.250", customer to cut to required length

⚠️ WARNING: Cancer and Reproductive Harm – www.P65Warnings.ca.gov

# 660" & 720" VALVE SPRINGS KITS FOR B3 HEADS

## FITMENT

• Modified Harley-Davidson® 1984–up big twin and 1986–'03 Sportster® Models For S&S® Super Stock®, Special Application, or other heads which can accept a larger than stock O.D. outer spring. Stock spring O.D. is approximately 1.400". See descriptions below for outer spring O.D. of specific spring kits. S&S racing valve springs are designed to be used with "no shoulder" style valve guides. Special keepers fit stock 3/16" diameter stemmed valves and S&S collars only. Pro Stock spring kits include keepers for valves with 1/32" or 3/16" stems.

## KIT CONTENTS

4 titanium top collars, 4 bottom collars, 4 outer, 4 middle, and 4 inner valve springs, 8 valve keepers, 4 each .015" shims and .030" shims.

### .660" LIFT TRIPLE VALVE SPRING KIT

#### WITH TITANIUM TOP COLLARS

- These springs can be set up for use with S&S 675 cams
- Typically used with cast iron guides
- 1.900" installed height
- 1.550" O.D. outer spring, middle spring is flat style and serves as a harmonic dampener
- Valve spring seat pressure equals 210 lbs
- Open pressure @ .660" is about 520 lbs
- Coil bind @ 1.175"

### .720" LIFT TRIPLE VALVE SPRING KIT

#### WITH TITANIUM TOP COLLARS

- Typically used with bronze guides
- 1.975" installed height
- 1.570" O.D. outer spring
- Valve spring seat pressure 216 lbs
- Valve spring open pressure @ .720" is 540 lbs
- Coil bind @ 1.130"



90-2079

### .660" & 720" LIFT VALVE SPRING KIT FOR B3 HEADS

Description	Part #	MSRP
.660" Lift Triple Valve Spring	90-2079	\$419.95
.720" Lift Triple Valve Spring	90-2080	\$419.95

## REPLACEMENT PARTS

Description	Part #	MSRP
Top collar - titanium .660"/.720" lift	90-2155A	\$45.95
Bottom collar - .660"/.720" lift	each 90-2090	\$13.95
Valve keeper 3/16" valve stem SA	each 90-2153A	\$5.95
Shim - .015"	each 90-2086	\$2.95
	5 pack 50-7161	\$5.95
Shim - .030"	each 90-2087	\$2.95
	5 pack 90-2198	\$7.95

## NOTE

The .660" lift kit (90-2079) can be used to replace the S&S spring combination installed in early .630" lift S&S heads. Requires the use of S&S .085" longer intake valve 90-2004 and exhaust valve 90-2005.

**VALVE SPRING REPLACEMENT PARTS:  
SEE PAGE 126**

# 650" VALVE SPRINGS KITS FOR B2 HEADS

## FITMENT

- S&S® B2 heads

## FEATURES AND BENEFITS

- Works well with cams up to .650" lift
- Manufactured from ultra clean high silicon Kobe alloy wire then micro shot peened and nitrided
- High performance conical single wire spring
- Chromoly forged retainers

## KIT CONTENTS

- Valve keepers, top & bottom collars, springs, shims



### S&S® .650" LIFT VALVE SPRING KIT FOR B2 HEADS

Lift	Installed Height	Seat Force	Force @ Max Lift	Max RPM
.650"	1.860"	178 lb.	376 lb.	6500

### .650" LIFT VALVE SPRING KIT FOR B2 HEADS

Description	Part #	MSRP
Spring,Kit,Valve,.650,84-04bt/xl	900-0050	\$209.95

# SIDEWINDER® .650" VALVE SPRINGS

## FITMENT

- Stock 2005–'17 Twin Cam 96™/103™ big twins (except 2017 touring models) with 7mm valve stems
- All S&S CNC ported heads

## FEATURES AND BENEFITS

- Works well with cams up to .650" lift
- Manufactured from ultra clean high silicon Kobe alloy wire then micro shot peened and nitrided
- CNC machined 9° locks
- High performance conical single wire spring
- Chromoly forged retainers

## KIT CONTENTS

- Valve keepers, Top & Bottom collars, Springs, Shims

### S&S® .650" LIFT VALVE SPRINGS SPECIFICATIONS

Lift	Installed Height	Seat Force	Force @ Max Lift	Max RPM
.650"	1.860"	178 lb.	376 lb.	6500



### .650" LIFT VALVE SPRING KIT

Description	Part #	MSRP
2005–'17 big twins (7mm stems) <i>except 2017 touring models</i>	<b>106-5909</b>	\$209.95

## NOTE

S&S recommends roller rocker arms be used with lifts over .585"

# STREET PERFORMANCE .585" VALVE SPRINGS

## FITMENT

- 2005–'17 big twins with 7mm valve stemmed stock heads (*except 2017 touring models*)
- All S&S Super Stock Heads
- S&S CNC Ported Heads

## FEATURES AND BENEFITS

- Springs reduce the risk of valve float
- Suitable for high performance applications
- Accommodates camshaft lift to 0.585"

## KIT CONTENTS

- Valve Guide Seals, Springs, Top & Bottom Collars, Keepers, Shims

### S&S® STREET PERFORMANCE .585" VALVE SPRINGS SPECIFICATIONS

Lift	Installed Height	Seat Force	Force @ Max Lift
.585"	1.850"	135 lb.	325 lb.



### STREET PERFORMANCE .585" VALVE SPRING KIT

Description	Part #	MSRP
2005–'17 big twins (7mm stems) <i>except 2017 touring models</i>	<b>900-0594</b>	\$146.95
All S&S Super Stock Heads	<b>900-0595</b>	\$131.95
S&S CNC Ported Heads	<b>900-0596</b>	\$146.95

**VALVE SPRING REPLACEMENT PARTS:  
SEE PAGE 126**

# FORGED ROCKER ARMS

## FITMENT

- 1999–2017 big twins (except 2017 touring models)

## FEATURES AND BENEFITS

- **Roller Rocker Arms:**
  - Extremely durable rollers reduce valve stem side thrusting with high lift cams
  - Superior wear and fatigue resistance even in the most demanding applications
  - ¾" long bushings provide 50% more bushing support area than ½" long bushings
  - Available in stock 1.625:1 ratio or performance 1.725:1 ratio
- **Standard Rocker Arms:**
  - ¾" long bronze bushings provide 50% more load bearing area than the ½" long bushings used in stock and other aftermarket rocker arms
  - Case carburized hard surface for longer life
  - Stock 1.625:1 ratio

## KIT CONTENTS

- 2 front and 2 rear rocker arms



900-4065A

## FORGED ROLLER ROCKER ARM KIT

Description		Part #	MSRP
2 front and 2 rear rocker arms	1.625:1	<b>900-4065A</b>	\$545.95
	1.725:1	<b>900-4098A</b>	\$586.95

*Adjustable pushrods must be used with S&S roller rocker arms to obtain proper valve clearance.  
New rocker arm shafts are recommended for maximum performance and rocker life.*

## STANDARD FORGED ROCKER ARM KIT

Description		Part #	MSRP
2 front and 2 rear rocker arms	1.625:1	<b>900-4119A</b>	\$272.95

*New rocker arm shafts are recommended for maximum performance and rocker life.*

## ROCKER ARM SHAFTS

Description		Part #	MSRP
Set of 4		<b>90-4036</b> 17611-83B	\$38.95
Individual		<b>90-4006</b> 1,2,3 17611-83B	\$11.95

*New rocker arm shafts are recommended for maximum performance and rocker life.*

## REPLACEMENT PARTS FOR FORGED ROCKER ARMS

Rocker Arm Type	Description	Part #	MSRP
Roller	Front exhaust or rear intake rocker arm	<b>900-4065FA</b> 1,2,3	\$157.95
	Rear exhaust or front intake rocker arm	<b>900-4065RA</b> 1,2,3	\$157.95
Standard	Front exhaust or rear intake rocker arm	<b>900-4119FA</b> 17375-83A	\$94.95
	Rear exhaust or front intake rocker arm	<b>900-4119RA</b> 17360-83A	\$94.95
Roller	Rebuild kits (rebuilds 4 rocker arms)	<b>90-4104</b>	\$131.95
Roller & Standard	Rocker arm bushing (¾" long)	<b>90-4014</b>	\$9.95

90-4104

## NOTES

- S&S roller rocker arms are recommended for use with cams having more than 0.585" of lift.
- Adjustable pushrods must be used with S&S roller rocker arms to obtain proper valve clearance.
- New rocker arm shafts are recommended for maximum performance and rocker life.

*All reference to HD® part numbers is for identification purposes only. We in no way are implying that any of S&S Cycle's products are original equipment parts or that they are equivalent to the corresponding HD® part number shown.*

# B2 HEADS WITH STOCK BOLT PATTERN

Kits do not include gaskets, hardware, or intake and exhaust flanges. These parts must be purchased separately.

## FITMENT

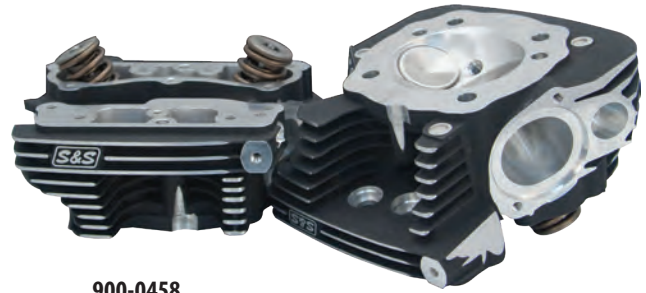
- 1999–'17 big twin engines (except 2017 touring models) 4½" bore, stock bolt pattern (in stock, off-the-shelf\*)
  - \*S&S only stocks the late model 4½" bore versions as off-the-shelf items, but heads for other applications and individual front or rear replacement heads are available by special order.
- 1999–'17 big twin engines (except 2017 touring models) 4½" bore and larger with S&S or other bolt pattern (special order only)
- 1984–'99 big twin engines 4½" bore and larger (special order only)
- S&S SB-Series 4½" bore and larger engines for 1986–'03 Sportster® models (special order only)
- Old style B2 replacement heads still available by special order
- Not compatible with Twin-Cooled™ models

## FEATURES AND BENEFITS

- 106cc combustion chambers
- Oval intake ports bolt up to S&S Throttle Hog 70mm throttle bodies (2008–up touring applications only)
- Stock style breather system—compatible with stock and aftermarket air cleaners
- Large 2.200" intake and 1.800" exhaust valves
- .660" lift S&S valve springs with titanium top collars
- Machined for stock sensors—EFI ready
- Available in Wrinkle Black (WBlack) or Silver Powder coat

## OPTIONS BY SPECIAL ORDER

- CNC ported intake and exhaust ports—more air, more power!
- wo-bolt exhaust flanges—Can accommodate stock exhaust headers, existing 2" headers, or build your own 2" exhaust system
- Machined for 2008-later bagger front motor mount
- Select heads for 1984–'99 or 1999–'17 big twin style, or 1986–'03 XL
- 4½" to 4¾" bore sizes
- Stock 1999–'17, S&S, or other cylinder stud patterns—other patterns subject to approval
- Machined with or without S&S electric compression release
- Choose from a variety of pushrod geometry machining styles
- Choose from a variety of different chamber sizes
- Individual front of rear heads available by special order



900-0458

## B2 HEADS WITH STOCK BOLT PATTERN

Finish	Part #	MSRP
Silver Powder Coat	<b>900-0450</b>	\$2,519.95
WBlack Powder Coat	<b>900-0458</b>	\$2,519.95

\*Head Kits include valves and valve springs. Head sets w/o valves or springs individual front or rear heads are available by special order.

Special Order B2 Cylinder Heads	<b>106-6385*</b>	Call for Pricing
---------------------------------	------------------	------------------

\*Download the Special Order Form at [sscycle.com/soforms](http://sscycle.com/soforms)

## ! ADDITIONAL PARTS REQUIRED

Product Description	Part #	MSRP
Special 4½" Bore Pistons & Ring Set	Standard	<b>92-1580</b> \$515.95
	+ .010"	<b>92-1581</b> \$515.95
Special Length Pushrods (+.250")	For 124" engines	<b>93-5106</b> \$121.95
	Stock height engines	<b>93-5098</b> \$121.95
Intake Manifold	Carbureted engines	<b>16-3629*</b> \$146.95
Intake Manifold Flange Kits	All B2 heads	<b>16-0250</b> \$146.95
Exhaust Adaptor Kit	B2 to stock header	<b>550-0217</b> \$136.95
	B2 to existing 2" header	<b>550-0216</b> \$115.95
	Stock & 2" header	<b>550-0218</b> \$262.95

\*Download the Special Order Form at [sscycle.com/soforms](http://sscycle.com/soforms)

**REPLACEMENT PARTS: PAGE 122**

## NOTES

Heads are .230" taller than stock—requires special pushrods and/or frame clearancing or motor mount modifications  
Exhaust pipe adaptor kits and other parts must be purchased separately. See "Additional Parts Required" chart, above.

DISCLAIMER: NOT LEGAL FOR SALE OR USE IN CALIFORNIA ON ANY POLLUTION CONTROLLED MOTOR VEHICLE. Not legal for sale or use on any EPA pollution controlled motor vehicle.

# SUPER STOCK® CYLINDER HEADS WITH STOCK BOLT PATTERN

## FITMENT

- 2006–2017 big twins, *except 2017 touring models*
- Not compatible with Twin-Cooled™ models

## FEATURES AND BENEFITS

- Heads can be decked up to .060" to increase compression
- 79cc heads 1.940" intake and 1.575" exhaust valves
- 89cc heads have 2.000" intake and 1.605" exhaust valves
- 91cc heads have 2.000" intake and 1.605" exhaust valves
- S&S 89cc heads have a whopping 264cfm flow rate (*compared to 182cfm for stock HD® heads*)
- S&S .585" or .650" lift valve springs
- Must use the included S&S valve cover gasket kit part #90-4120 with stock rocker covers
- 2006–'17 heads are machined for 2008–'17 FL top motor mount

- Includes 4 long headbolts for installation
- Compatible with stock rocker boxes, exhaust and intake manifolds

## OPTIONS

- Compression release machining or without compression release machining (*Compression release machining for S&S compression releases*)
- Silver, wrinkle black (WBlack), or Stone Gray powder coat finish

### COMPRESSION RATIOS FOR S&S® SUPER STOCK® CYLINDER HEADS FOR 2006–'17 BIG TWINS (EXCEPT 2017 TOURING MODELS)

Configuration	96"	103"	106" Big Bore	110"	111"	117"	124"
79cc	9.8	10.2/11.1*	10.6	10.8	–	–	–
89cc	8.9	9.3/10.1*	9.7	9.8	–	–	–
91cc	–	–	–	9.6	9.75	10.3	10.8

\* S&S pop-up piston



106-3233



900-0666

### SUPER STOCK® CYLINDER HEAD KITS FOR 2006–'17 BIG TWINS

Description	Chamber Volume	Manifold** Surface	Compression Release Machining	Springs	Finish	Part #	MSRP	
2006–'17 big twins <i>except 2017 touring models</i>	79cc		●	.650" lift	Silver	106-3227	\$1,348.95	
			●	.650" lift	WBlack	106-3233	\$1,348.95	
2006–'17 big twins <i>except 2017 touring models</i>	89cc		●	.650" lift	Silver	106-3255	\$1,348.95	
	89cc		●	.650" lift	WBlack	106-3240	\$1,348.95	
2006–'17 big twins, 2008–'16 touring models	91cc	+.032"	●	.650" lift	Silver	106-4278	\$1,417.95	
						900-0344	\$1,417.95	
						900-4278	\$1,417.95	
S&S 124" Hot Set Up Kits	91cc	-.064		.650" lift	WBlack	900-0993	\$1,348.95	
						+.032"	106-3249	\$1,348.95
							900-0349	\$1,417.95
	91cc	+.032"		.650" lift	Stone Gray	900-3249	\$1,417.95	
						900-0666	\$1,417.95	

\*\*In order to accommodate the change in engine height on S&S 124" engines and still use a stock length manifold, S&S added material to the surface for proper sealing of manifold to cylinder head.

DISCLAIMER: NOT LEGAL FOR SALE OR USE IN CALIFORNIA ON ANY POLLUTION CONTROLLED MOTOR VEHICLE. Not legal for sale or use on any EPA pollution controlled motor vehicle.



All other Specifications and finishes are available through Special Order

\*Special Order: Download the Special Order Form at [sscycle.com/soforms](http://sscycle.com/soforms)

90-1060\* Call for Pricing

### TOP END GASKET KITS FOR 1999–'17 BIG TWINS (EXCEPT 2017 TOURING MODELS)

3 7/8" & 3.927" Bore	MSRP	4" Bore	MSRP	S&S 4 1/8" Bore (Graphite)	MSRP	Stock 4 1/8" Bore (Layered Steel)	MSRP
910-0465	\$83.95	90-1913	\$45.95	90-1910	\$49.95	90-1914	\$104.95

Includes a set of head and base gaskets, exhaust gaskets, and o-rings.



## NOTES

**79cc heads**

When 79cc stock compatible heads are used with stock HD® pistons, TDC lifts of up to .186" for intake and .179" for exhaust and can be used without additional valve pocket clearancing. This allows the use of S&S® 510, 570, and 585 camshafts. If cams with higher TDC lifts are used, or if the heads are decked, piston valve pocket machining will be required.

79cc heads may be decked as much as .060" to increase compression. If heads are decked, piston valve pockets must be re-machined.

Moderate valve spring force in S&S Super Stock® cylinder heads allows the use of camshafts designed for the stock style chain cam drive system. However, for maximum reliability and performance we recommend the S&S gear drive cams.

Must use S&S rocker base gasket kit part #90-4120 with stock rocker covers.

79cc Heads should not be used with any piston having a pop up dome.

**89cc heads**

If 89cc heads are used with stock pistons, valve reliefs must be machined in the pistons due to larger valve size.

89cc heads may be decked as much as .060" to increase compression. If heads are decked, valve-to-piston clearance must be checked. If stock pistons are used, valve pockets must be re-machined.

Moderate valve spring force in S&S® Super Stock® cylinder heads allows the use of camshafts designed for the stock style chain cam drive system. However, for maximum reliability and performance we recommend the S&S gear drive cams.

A larger intake manifold is recommended to supplement the heads in order to let them flow to their full potential.

Must use S&S rocker base gasket kit part #90-4120 with stock rocker covers.

**91cc heads**

By changing the profile and shape of the cooling fins on our heads for 4½" bore engines, a large reduction in the transmission of mechanical noise was found. This not only benefits our TÜV certified engines and our EPA approved engines, but our performance engines as well!

Since April 1, 2007, these redesigned heads have been installed on all S&S 4½" bore engines and Hot Set Up Kits.

Replacement heads of the old style are available by special order.

Must use S&S valve cover gasket kit part #90-4120 with stock rocker covers.

**MANIFOLD RECOMMENDATIONS**

S&S single bore throttle body and manifold are recommended for engines with Magneti Marelli® and Delphi® fuel injection.

S&S single bore throttle body and manifold are recommended for 2006–'15, except 2008–'15 touring models. Due to the change in manifold flange mounting bolt pattern, stock flanges and S&S seal part #16-0235 must be used. The Screamin' Eagle® 58mm throttle body/manifold may also be used on 2006-'09 engines.

We recommend the stock 50 mm throttle body or S&S Throttle Hog 58mm throttle body/manifold for 2008-up touring models with Electronic Throttle Control (ETC).

**IMPORTANT MANIFOLD INFORMATION**

In 2006, Harley-Davidson® changed the bolt pattern of the flanges that connect the manifold to the cylinder heads for all big twin engines. The pattern was changed from an offset bolt pattern to a symmetrical bolt pattern, so flanges can fit either the front or rear cylinder head. In addition, the intake port was moved slightly toward the drive side of the engine, making the port-to-port distance of the intake manifold slightly shorter. S&S® heads for 2006–up big twins are machined with the symmetrical bolt pattern and relocated port to allow for the fitment of stock manifolds. In 2008, Harley-Davidson touring models were equipped with electronic throttle control (ETC). The throttle body and manifold used on these engines is a one-piece unit that contains a servomechanism to control the position of the throttle plate. S&S recommends the S&S Throttle Hog throttle body for this application, see page 101. This limits the cylinder length of engines using an ETC manifold/throttle body to stock length because the ETC manifold/throttle body units are only available in stock length. However, S&S does supply specially machined cylinder heads for our 124" Hot Set Up Kit® for 2008 and later baggers, which allows the use of a stock length manifold on these longer-than-stock engines.

**REPLACEMENT PARTS: SEE PAGE 124**

# CNC PORTED CYLINDER HEAD SERVICES

## FITMENT

- Available for 1999–2017 big twin engines, except 2017 touring models
- Ideal for 88"–124" engines (must use Screamin' Eagle® high flow injectors, HD #27796-08, with kits over 107")
- Not compatible with Twin-Cooled™ models

## FEATURES AND BENEFITS

- CNC machined ports for a consistent performance increase from stock heads
- Great throttle response, high velocity port without losing low RPM torque
- Assembled with performance valves and springs ready to bolt-on
- Choice of .585" or .650" lift valve springs
- Combustion chambers are available in the following volumes:
  - 83cc—Generally used for stock 88" up to 106" engine displacements
  - 85cc—Same as stock Twin Cam 88° and 96™ engine displacements
  - 87cc—Recommended for up to 117" engine displacements
  - 90cc—Generally used for 124" and up engine displacements
- Available in factory black or silver



## S&S CNC PORTING SERVICE OPTIONS

### REWORK SERVICE

- Send your stock heads to S&S
- Get the same set of heads back with CNC machined ports
- The best option for heads with a special cosmetic treatment
- Allow 1 week turn-around (does not include shipping)

### CUSTOM CNC PORT DUPLICATION

- S&S can digitize your port design and machine it in your heads, ask an S&S customer service rep for details



WATCH THE S&S CNC PORTING VIDEOS AT [SSCYCLE.COM/VIDEOS](http://SSCYCLE.COM/VIDEOS)

### CNC PORTING SERVICE

Fitment	Part #	MSRP
1999–2017 big twins (except Twin-Cooled™ & 2017 touring models)	<b>106-5880</b>	\$949.95

DISCLAIMER: NOT LEGAL FOR SALE OR USE IN CALIFORNIA ON ANY POLLUTION CONTROLLED MOTOR VEHICLE. NOT LEGAL FOR SALE OR USE ON ANY EPA POLLUTION CONTROLLED MOTOR VEHICLE.

### S&S® CNC PORTING SERVICE SPECIFICATION COMPARISON

Heads	VALVE SIZE		Max Valve Lift	MAX TDC LIFT		PORT FLOW		Chamber Volume
	Intake	Exhaust		Intake	Exhaust	Intake	Exhaust	
Stock	1.805"	1.575"	.585"	–	–	216.2 cfm	191.8 cfm	85cc
CNC Ported by S&S	1.900"	1.610"	.650"	.230"	.215"	248.6 cfm	209.7 cfm	83cc**

\*Flow testing performed on a SuperFlow® 1020 flow bench at 28" of water test pressure at .600" lift. Heads tested are 2006-12 style.

Heads	COMPRESSION RATIO								
	88"	95"	96"	97"	103"	106" Stroker	106" Big Bore	117" DD Piston	124" DD Piston
Stock	9.0:1	9.2:1	9.2:1	9.7:1	10.1:1	10.1:1	10.0:1	10.0:1	10.7:1
CNC Ported by S&S	9.2:1	9.4:1	9.4:1	9.9:1	10.3:1	10.3:1	10.2:1	10.2:1	10.9:1

\*\*As a general rule of thumb, for every 1cc decrease in chamber volume equals a .1 increase in compression ratio.

## NOTES

CNC porting is not available for previously ported heads, heads that have been structurally damaged, or heads that are determined to be unserviceable during initial inspection. These heads will be returned to the customer without modification. In these cases, the customer will be notified and options will be reviewed. New, CNC ported stock heads or S&S heads are available for purchase.

Due to variations in stock cylinder head castings, all inside surfaces of the ports may not "clean up" during machining. As a result, the inside of one or more ports may not appear to be completely machined. This does not effect performance and is not considered a defect.

Fuel injection tuning required.


CNC porting is not currently available for Harley-Davidson® CVO engines or Screamin' Eagle® cylinder heads.

Must use Screamin' Eagle® high flow injectors, HD #27796-08, with kits over 106"

S&S recommends using a S&S Throttle Hog throttle body when installing S&S CNC ported heads to achieve full horsepower performance potential. See [page 101](#).

# HEAD BOLTS WITH WASHERS





## HEAD BOLTS

Bolt Length w/Washer	Washer Thickness	Head Bolt w/Washer	MSRP	Washer Only	MSRP
1.690"	.250"	93-3028	\$10.95	50-7091	\$2.95
1.840"	.150"	93-3027	\$10.95	50-0418-S	\$4.95
1.920"	.250"	93-3036	\$15.95	50-7091	\$2.95
2.070"	.150"	93-3031 	\$15.95	50-0418-S	\$4.95
2.220"	.250"	93-3038	\$15.95	50-7091	\$2.95
2.370"	.150"	93-3032	\$15.95	50-0418-S	\$4.95
3.134"	.250"	93-3029	\$15.95	50-7091	\$2.95
3.284"	.150"	93-3030	\$15.95	50-0418-S	\$4.95
3.501"	.250"	93-3037*	\$15.95	50-7091	\$2.95
3.651"	.150"	93-3033*	\$15.95	50-0418-S	\$4.95
—	.150"	—	—	50-0418-S	\$4.95



\* Drilled & tapped deeper to allow shortening for custom lengths.

## HEAD BOLTS FOR HARLEY-DAVIDSON® TWIN CAM 96™ ENGINES

Engine Displacement	Stroke	Cylinder Length	Cylinder Head Type	Short Bolt w/Washer	MSRP	Long Bolt w/Washer	MSRP	Head Bolt Kit	MSRP
Stock 96 and 103	4 3/8"	4.937"	Stock HD®	93-3031 	\$15.95	93-3030 	\$15.95	93-3014 	\$118.95
117" Big Bore	4 3/8"	4.878"	S&S®	—	—	93-3030 	\$15.95	93-3070	\$118.95
124" Big Bore Stroker	4 5/8"	5.013" or 5.004"	Stock HD®	93-3038	\$15.95	93-3037	\$15.95	93-3016	\$118.95
			S&S®	—	—	93-3037	\$15.95	93-3071	\$118.95

### CALCULATING CUSTOM HEAD BOLT LENGTH SEE INSTRUCTIONS IN THE APPENDIX: PAGE 547

All reference to HD® part numbers is for identification purposes only. We in no way are implying that any of S&S Cycle's products are original equipment parts or that they are equivalent to the corresponding HD® part number shown



### S&S® CHROME HEAD BOLT COVERS

Dress up your engine with these magnetic chrome head bolt covers. Easy installation, no tools, no messy adhesives. A powerful magnet holds cover in place, yet allows easy removal. Chrome plated steel looks great on any engine, but is a must for polished engines. For S&S head bolts only.



### CHROME HEAD BOLT COVERS<sup>±</sup>

Description	Part #	MSRP
Set of 4, for S&S Head Bolts only	50-0333 	\$69.95

±  WARNING: Cancer and Reproductive Harm — www.P65Warnings.ca.gov

# DIE-CAST ROCKER COVERS

## FITMENT

- 2007–'17 model big twins, except 2017 touring models


## FEATURES AND BENEFITS

- Special rocker arm supports are included
- S&S rocker covers are finished with show-quality chrome
- Installation on stock and most comparable sized engines can be performed without removing the engine from the frame
- Clearanced to permit valve lifts up to .640" using S&S valve spring packages and stock rocker arms or S&S roller rocker arms
- S&S rocker covers accept valve springs up to 1.660" O.D. without modification
- Exclusive one way valve built into the rocker cover gasket to control oil carry over

## KIT CONTENTS

- Front and rear covers
- All necessary gaskets and o-rings
- Mounting hardware

### DIE-CAST ROCKER COVER KIT<sup>±</sup>

Description	Part #	MSRP
Chrome	90-4110 	\$892.95

±  WARNING: Cancer and Reproductive Harm — www.P65Warnings.ca.gov



## NOTES

If using valve spring packages with taller than stock installed height, some minor clearancing may be required.

Cylinder heads must be set up correctly for high lift cams, and it remains the builder's responsibility to confirm all clearances.

In most instances, only minor clearancing is required to use S&S rocker covers with valve springs larger than 1.660" O.D.

S&S® rocker covers are required if S&S cylinder heads are used with S&S electric compression releases.

REPLACEMENT PARTS: SEE PAGE 127

ANY JOB IS EASY WITH THE RIGHT TOOLS  
S&S ROCKER COVER WRENCH SET, PAGE 519

# THROTTLE HOG CABLE-OPERATED THROTTLE BODIES

S&S cable operated Throttle Hog Throttle bodies are available for 2002–'17 Harley-Davidson® big twins using cable operated throttles. Choose from 58mm, for stock or mildly built engines, or the whopping 66mm Throttle Hog for big inch engines. More Air, More Power!

## FITMENT

- 2006–'17 Harley-Davidson EFI big twins with cable controlled throttles
- S&S EFI Hot Set Up Kit® installations and T-Series Long Block engines with cable controlled throttles

## FEATURES & BENEFITS

- More air flow for improved performance
- S&S Stealth air cleaners kit, with the proper bore sizes, are available
- Works with all air cleaner kits designed for throttle by wire engines with stock breather system
- One-piece design for easy installation and stock appearance
- Compatible with stock sensors, fuel rail, and throttle cables
- Black powder coat finish matches stock
- Sealed, stainless steel throttle shaft with dual roller bearings for smooth operation and no air leaks
- Kit includes hardened steel flanges and seals
- No stock throttle body exchange required!

## THROTTLE HOG CABLE OPERATED THROTTLE BODIES FOR 2006-2017 BT

Year	Size (mm)	Engine Fitment	Manifold Size	Part Number	MSRP
2006–2017 bt	58	96", 103", 106", 107", 110", S&S 117" Hot Set Up Kit®, and 124" Hot Set Up Kit® <i>(w/S&amp;S +.032" heads only)**</i> S&S T-Series Engines** <i>(Engines produced after 2013)</i>	405	<b>170-0346</b>	\$734.95
		S&S T-Series 111" Long Block Engines**	398	<b>170-0347</b>	\$734.95
		S&S T-Series 124" Engines with S&S bolt pattern, and 124" Hot Set Up Kit® <i>(w/stock or standard S&amp;S heads)**</i>	417	<b>170-0345</b>	\$734.95
	66	96", 103", 106", 107", 110", S&S 117" Hot Set Up Kit®, and 124" Hot Set Up Kit® <i>(w/S&amp;S +.032" heads only)**</i> S&S T-Series Engines** <i>(Engines produced after 2013)</i>	405	<b>170-0349</b>	\$734.95
		S&S T-Series 111" Long Block Engines**	398	<b>170-0350</b>	\$734.95
		S&S T-Series 124" Engines with S&S bolt pattern, and 124" Hot Set Up Kit® <i>(w/stock or standard S&amp;S heads)**</i> S&S T-Series Engines** <i>(Engines produced after 2013)</i>	417	<b>170-0348</b>	\$734.95

*\*\*Some S&S heads have additional material on the manifold surface to allow the use of a stock length manifold (405) on a 124" engine.*

*If you are not sure which manifold should be ordered, check fitment with the stock manifold first.*

DISCLAIMER: NOT LEGAL FOR SALE OR USE IN CALIFORNIA ON ANY POLLUTION CONTROLLED MOTOR VEHICLE. Not legal for sale or use on any EPA pollution controlled motor vehicle.

**MAKE MORE POWER!**

**S&S Air Cleaner Kits**  
See page 58

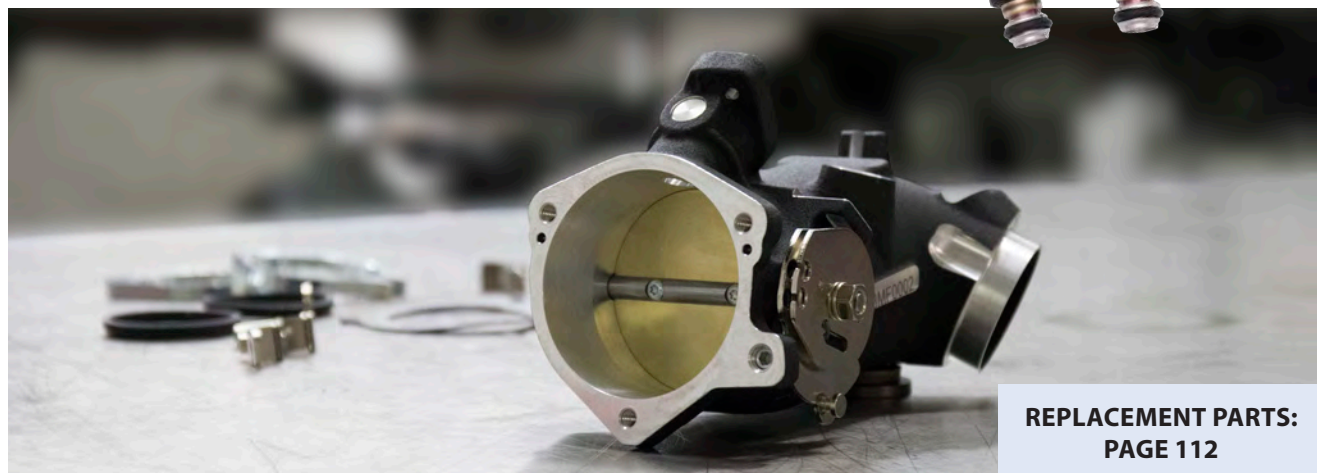
### REPLACEMENT FLANGE KITS

2006-2017 bt    **160-0168**    \$83.95



### 6.2 g/s FUEL INJECTORS for

2006-2017 Cable-operated Throttle Hogs **550-0749**    \$178.95



**REPLACEMENT PARTS:**  
**PAGE 112**

# THROTTLE HOG THROTTLE BODIES

## FITMENT

- 2008–2016 big twins w/throttle-by-wire (Except models equipped with the Twin-Cooled™ system)

## FEATURES AND BENEFITS

- Increase in airflow for additional performance gains
- Meets the breathing needs of even the largest of engines — choose from 58mm, 66mm, or 70mm
- Increased manifold port I.D. 1.780"
- Economically priced compared to competitors
- Utilizes stock sensors and fuel rail
- Kit includes hardened steel flanges and seals
- All throttle-by-wire 58 & 66mm throttle bodies are machined to stock length intake manifolds (S&S manifold size 405) only

**58MM** Recommended for engines up to 110". Perfect with a S&S® 106" Big Bore kit

**66MM** Perfect pairing with a S&S 124" Hot Set Up Kit® or a 124" engine (when running cylinder heads with stock style round intake ports)

**70MM** Recommended for engines up to 145" displacement. S&S B2 and B3 cylinders heads are required to match the oval port configuration

## ADDITIONAL PARTS REQUIRED

- Air cleaner (see chart for recommended air cleaner kits)
- High flow injectors P/N 550-0747
- A performance motorcycle tuning module.



## SOLD ON EXCHANGE ONLY—HERE'S HOW IT WORKS

1. Your S&S® dealer sends your stock throttle body to S&S Cycle, Inc
2. S&S tests your incoming throttle body and its electrical components —a non-functional unit cannot be used and will be returned
3. S&S transfers your functional electrical components to your new S&S Throttle Hog
4. The complete Throttle Hog is tested and shipped to your S&S dealer (along with your original throttle body)
5. Your new Throttle Hog will typically be shipped within 2–3 days of receipt at S&S.

## THROTTLE HOG THROTTLE BODIES AND AIR CLEANER KITS

Size	Throttle Hog Throttle Body ±	MSRP	Stealth Air Cleaner Kits***	MSRP	Backplate only*	MSRP
58mm	<b>160-0034</b>	\$577.95	<b>170-0164</b>	\$167.95	<b>170-0167</b>	\$101.95
66mm	<b>160-0010</b>	\$577.95	<b>170-0165</b>	\$167.95	<b>170-0168</b>	\$101.95
70mm B2	<b>160-0112</b>	\$908.95	<b>170-0263</b>	\$188.95	<b>170-0247**</b>	\$69.95

\*If you already have a Stealth air cleaner for a stock throttle body, all you need is the backplate.

DISCLAIMER: NOT LEGAL FOR SALE OR USE IN CALIFORNIA ON ANY POLLUTION CONTROLLED MOTOR VEHICLE. Not legal for sale or use on any EPA pollution controlled motor vehicle.

\*\*70mm B2 backplates do not have mounts to the cylinder head. A bracket must be fabricated to support the throttle body separately. Engine height determines if stock bracket can be used.

\*\*\* These kits do not include an air cleaner cover. See page 58 for S&S Stealth covers.

± ⚠️ WARNING: Cancer and Reproductive Harm — www.P65Warnings.ca.gov

## 6.2 g/s FUEL INJECTORS for

2008–2017 Throttle-by-Wire Throttle Hogs 550-0747 \$225.95



**B3 APPLICATIONS FOUND ON  
PAGE 73**

## WARRANTY: S&S THROTTLE HOG THROTTLE BODIES

S&S® Cycle, Incorporated warrants the S&S components of your S&S Throttle Hog throttle body to be free from defects in material and workmanship for a period of one year from the date of purchase by the original consumer customer. If parts become defective during the warranty coverage period, S&S will, at its option, repair or replace any, or all, defective parts. Repair or replacement of defective parts is the sole and exclusive remedy.

In the event that any OEM component re-utilized in the assembly of the throttle body fails, S&S may service the unit provided the OEM components are supplied to S&S at the time of service.

# MANIFOLDS FOR SINGLE BORE EFI BIG TWIN ENGINES

## FITMENT

- Stock height or taller than stock 2006–'15 bt, except 2008–2015 touring models
- S&S 52mm or 58mm throttle bodies
- Stock or S&S heads
- S&S T-Series Long Block engines

## KIT CONTENTS

- Manifold
- O-ring intake seals
- VOES fitting cap



16-5139

## MANIFOLDS FOR SINGLE BORE EFI 2007–'15 BIG TWIN ENGINES

Engine Displacement	Cylinder Length	Manifold Size	Part #	MSRP
96", 103" & 106" (S&S engines with stock bolt pattern)	4.937"	405	<b>16-5134</b>	\$199.95
124" Hot Set Up Kit® (w/stock or standard S&S heads) **	5.004"	417	<b>16-5139</b>	\$199.95
124" Hot Set Up Kit® (w/S&S +.032" heads only)**	5.004"	405	<b>16-5134</b>	\$199.95
111" S&S T-Series Long Block Engines	4.754"	398	<b>16-5136</b>	\$199.95
117" Hot Set Up Kit®	4.878"	405	<b>16-5134</b>	\$199.95
124" S&S T-Series Engines, S&S bolt pattern	5.013"	417	<b>16-5139</b>	\$199.95

*\*\*Some S&S heads have additional material on the manifold surface to allow the use of a stock length manifold (405) on a 124" engine. If you are not sure which manifold should be ordered, check fitment with the stock manifold first.*

## NOTES

S&S style o-rings must be used with these manifolds. S&S o-rings are slightly thinner to accommodate the larger S&S port diameter. Use of stock o-rings may cause damage.

2006-up models require separate purchase of HD® intake manifold flanges pn 26993-06 (1 pack).

# SINGLE BORE EFI THROTTLE BODIES

**52MM:** Offering a 30% larger cross sectional area than stock throttle bodies, the S&S 52mm bore throttle body flows more than enough air for all but the most demanding street engines.

**58MM:** In response to constant requests for something bigger, S&S also offers a huge 58mm bore throttle body! Strictly for large displacement competition engines, this throttle body allows your engine to breathe easily and make more power! Recommended for S&S 106" big bore kit.

## FITMENT

- 2006–'16 EFI big twins  
(except 2008-up touring models with electronic throttle control)

## FEATURES AND BENEFITS

- Excellent performance
- Recommended tuning products:
  - S&S VFI
- Cruise control compatible with no extra bracket

### MAKE MORE POWER!

**S&S® Stealth Air Cleaners on page 58**  
**S&S Air Cleaner Kits for on page 63**

### NEW & IMPROVED!

**CABLE-OPERATED THROTTLE HOGS**  
**PAGE 100**

## OPTIONS

- 52mm
- 58mm

## KIT CONTENTS

- Throttle body assembly
- Fuel injectors
- Fuel rail
- Harness adaptors
- All necessary hardware, gaskets, and hoses

## SINGLE BORE EFI THROTTLE BODY KIT

Description	Part #	MSRP
52mm Kit including Fuel Rail Kit	<b>17-5070</b>	\$787.95
58mm Kit including Fuel Rail Kit	<b>106-4408</b>	\$787.95

DISCLAIMER: NOT LEGAL FOR SALE OR USE IN CALIFORNIA ON ANY POLLUTION CONTROLLED MOTOR VEHICLE. Not legal for sale or use on any EPA pollution controlled motor vehicle.

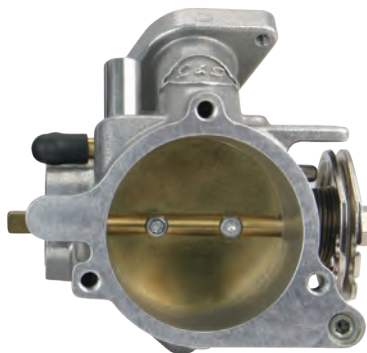
## NOTES

If you plan to use another programmable fuel injection module, it is best to consult the manufacturer to be certain that it is compatible with the S&S single bore system and has enough tuning capability for your engine configuration.

Requires S&S manifold and air cleaner assembly (order separately)



Stock



S&S 52mm



S&S 58mm

REPLACEMENT PARTS: [SEE PAGE 113](#)

# COMPRESSION RELEASES

## FITMENT

- S&S cylinder heads and rocker boxes for big twin with compression release machining
- Will not fit OEM heads

## OPTIONS

### MANUAL RELEASE:

Activated by a cable similar to a choke control, this slick system can be used with any style rocker cover.

### ELECTRIC RELEASE:

Solenoid operated, this system automatically opens and closes when the starter button is pressed and released. Convenient and simple, this is the best setup for big displacement high compression bikes. Requires S&S die cast rocker covers, [page 99](#)



## COMPRESSION RELEASE KITS

Description	Part #	MSRP
Electric	<b>90-4915</b>	\$377.95

## TOOLS AND ACCESSORIES

Description	Part #	MSRP
S&S Two-Piece Socket Kit: <i>Allows in-frame installation of S&amp;S compression releases and protects wiring from damage during installation.</i>	<b>53-0045</b>	\$136.95
S&S Compression Release Hole Plug	<i>each</i> <b>90-4916</b>	\$16.95
	<i>2 pack</i> <b>90-4916-2</b>	\$26.95

## REPLACEMENT PARTS

Description	Part #	MSRP
Silicone Solenoid Caps	<b>55-1009</b>	\$4.95
Wiring Harness 	<b>55-1010</b>	\$116.95
Electric Compression Release Assembly 	<b>90-4914</b>	\$157.95



## NOTES

S&S rocker covers must be used with electric compression releases due to clearance requirements for the solenoids.

Rocker covers must be removed when installing S&S® compression releases. If lack of frame clearance prevents removal of rocker covers, engine must be removed from frame for compression release installation.

In most cases, S&S compression releases can be installed while the engine is in the frame with the special S&S two-piece socket kit, part #53-0045.

If cylinder heads are machined for S&S compression releases, but compression releases are not used, special plug part #90-4916 (two required) must be installed to seal the machined hole.

Stock cylinder heads cannot be machined for S&S compression releases because there is not enough material in critical areas.



# VARIABLE FUEL INJECTION MODULES (VFI)

## DELPHI® STYLE S&S® VFI MODULE

### FITMENT

- 2007–'10 Harley-Davidson® Softail®
- 2007–'11 big twins, except 2008–up touring with electronic throttle control, 2011–up Softail® or 2012–up Dyna®

### FEATURES AND BENEFITS

- Replaces stock Harley-Davidson® fuel injection modules—*plugs directly into stock wiring harness*
- Includes ProTune II software and can be updated at: [sscycle.com/tech-info/software/protune-ii](http://sscycle.com/tech-info/software/protune-ii)
- Three stage engine overheat protection helps prevent possible engine damage caused by improper modifications to fuel maps
- Altitude compensation automatically adjusts for altitude variations
- Live tuning allows manual changes to maps while the engine is running
- Self diagnostics and actuator test functions help tuning and verify proper installation/operation
- Engine light can be programmed to function as a shift light
- Closed loop capable
- Knock sensing ignition control (*USB Delphi® style unit only*)
- Optional closed loop sensor kit and knock sensor kit extend module capabilities
- Speedometer calibration function for 2004–up Harley-Davidson® models (*does not require installation of separate speedometer calibrator*)

### CLOSED LOOP CAPABILITY

When equipped with a dual closed loop sensor kit and running in closed loop mode, VFI tuning becomes a breeze! S&S supplies base maps for several displacement groups, creating a starting point to get bikes up and running. Utilizing dual oxygen sensors (*sold separately*) placed in the exhaust, the S&S closed loop system modifies the base fuel map to meet the specific requirements of your engine!

- Automatic tuning on the street or on the dyno
- Each cylinder is tuned individually
- Fuel map changes are saved in the module & can be merged with the pre-loaded base map
- Works with stock oxygen sensors used on late model Harley-Davidson® motorcycles

Closed loop VFI can also automatically compensate fuel delivery for modifications creating up to a 20 hp gain, such as changes in:

- Displacement
- Cams
- Exhaust
- Head porting or installation of aftermarket heads

### KIT CONTENTS

- Delphi® style S&S VFI module
- ProTune II software
- USB port cover kit
- Installation instructions



55-5090



106-2066

## DELPHI® STYLE S&S VFI MODULE

Fitment/Description	Part #	MSRP
VFI Module for 2001–'11 bt ( <i>except 2008–up touring and 2011 Softail®</i> )**	<b>55-5090*</b>	\$815.95
S&S Delphi Style VFI Closed Loop Sensor Kit	<b>106-2066</b>	\$346.95
Knock Sensor Kit ( <i>55-5090 module only</i> )	<b>106-0810</b>	\$79.95

\*DISCLAIMER: NOT LEGAL FOR SALE OR USE IN CALIFORNIA ON ANY POLLUTION CONTROLLED MOTOR VEHICLE. Not legal for sale or use on any EPA pollution controlled motor vehicle.

## REPLACEMENT PARTS FOR VFI MODULES

Description	Part #	MSRP
Service Kit, O2 Sensor	<b>106-2061</b>	\$125.95
Service Kit, DTM Pin	<b>55-1521</b>	\$2.95
Service Kit, Oxygen Sensor Boss	<b>55-6071-S</b>	\$16.95
Service Kit, Subharness ( <i>Delphi Style</i> )	<b>55-1595</b>	\$146.95
Hardware Kit ( <i>USB Cover</i> )	<b>55-5091</b>	\$7.95

## NOTES

All current production S&S modules are closed loop compatible, and all older S&S modules can be updated with current calibration by simply downloading software from the S&S website at [sscycle.com/tech-info/software/protune-ii](http://sscycle.com/tech-info/software/protune-ii).

Please note that maps created for older versions of the VFI software are not compatible with the new closed loop software, however they can be converted to closed loop if desired.

Optional Delphi® style knock sensor adjusts timing to eliminate spark knock, prolonging engine life (55-5090 module only).

S&S VFI systems installed on 2004–up Harley-Davidson® models incorporate a speedometer calibration feature.

Due to the extreme range of control offered by the S&S VFI modules, we recommend that they be installed and tuned by S&S Certified VFI Tuning Centers. Check [www.sscycle.com](http://www.sscycle.com) to find a tuning center near you.

# VARIABLE PRESSURE CLUTCH

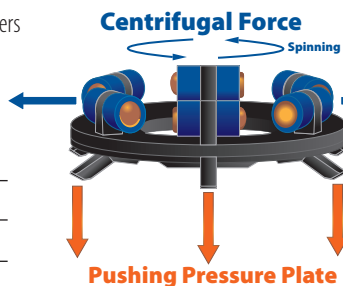
The VP clutch is the most cost effective kit for upgrading your HD® stock clutch without any modifications. Up to 40% more pressure for stronger clutch engagement.

### FEATURES AND BENEFITS

- Works like a lock up clutch
- Increased torque capacity: strength of engagement increases with RPM
- 10 minute installation
- Fits behind a stock derby cover and primary cover - *No modification required*
- Can be used with cable and hydraulic clutch controls

Does not fit: 2013 and later CVO™ and Tri-Glide™, 2015 and later Ultra Limited Low and Electra Glide Classic Low Models with new HD® Assist and Slipper Clutch: 3 Stud Clutch Hub

Non-stock derby cover (including any special or 2003 anniversary cover) and 3 hole derby covers may require a derby



Centrifugal force makes more clamping force. Regular clutches have static pressure only with clutch springs. The Lock up clutch has two different types of pressure. One is a Static Pressure, and another is a Centrifugal Force by Lock-up as an additional pressure.

### VARIABLE PRESSURE CLUTCH

Description	Part #	MSRP
1998–2016 big twins with 6 Stud Clutch Hub	<b>560-0242</b>	\$299.95

# INNER PRIMARY BEARING RACE

### FEATURES AND BENEFITS

- Will not “walk” on transmission mainshaft
- Prevents costly damage to mainshaft seal, output gear & output gear bearing
- Simple to install

The tendency of the stock inner primary bearing race on late model big twins to shift on the transmission mainshaft under high torque loads, also known as “walking” of the race, can cause destruction of the transmission mainshaft seal, and ultimately the mainshaft seal, output gear and output gear bearing. The S&S inner primary bearing race features an extra step on the inside diameter that acts as a stop on the transmission mainshaft. When the race is pressed on to the shaft, the step will not allow the race to move inward toward the mainshaft seal. The improved S&S bearing race is a must for any high performance application.



### INNER PRIMARY BEARING RACE

Description	Part #	MSRP
2006 Dyna® models, 2008, 2010–2017 big twins, except 2017 touring	<b>560-0241</b>	\$61.95

# HEAVY DUTY DIAPHRAGM SPRING

### FITMENT

- 1998–2017 big twin models, except 2017 touring models

### FEATURES AND BENEFITS

- 380 lbs pressure, 25% stronger than stock
- Same pressure as Screamin’ Eagle® heavy-duty spring
- Compatible with S&S VP and stock clutches

### HEAVY DUTY DIAPHRAGM SPRING

Description	Part #	MSRP
1998- up big twins	<b>560-0244</b>	\$35.95



# GATES® HIGH STRENGTH FINAL DRIVE BELTS

S&S final drive belts by Gates are available with 14mm pitch in 1½" and 1⅞" widths. See the chart and match the width and number of teeth required for your vehicle. You can find this information in the vehicle service manual.



## ATTENTION CUSTOM BIKE MANUFACTURERS! SPECIAL ORDER BELTS FROM S&S® AND GATES®

Special belt sizes, private brand labeling, and assistance with belt drive design, are available to custom performance OEM's and aftermarket bike builders, through S&S. These products and services are available for licensed motorcycle manufacturers only, and a minimum order quantity may be required.

Drive belts with your company name imprinted on them are a perfect way to show off your brand. Any belt size currently available in the S&S catalog, as well as the special ordered sizes, can be specially branded. Minimum order quantities would apply.

Whether you're designing a completely new chassis, or simply need a replacement belt, S&S can help you find the belt you're looking for. Through the combined efforts of Gates and S&S, S&S can now provide customers with the technical assistance they need for designing new secondary belt drive systems. In addition, S&S can help you determine required tooth count for your existing chassis design, based on the pulley center-to-center distances and pulley tooth counts.

All belts have a 14mm tooth pitch, and are made of the super strong Gates Carbon X3N material. Belts are available in three standard widths of 1.125", 1.5" and 1.181" (30mm), but can be special ordered in nearly any width for a nominal charge. If you want a belt with a special tooth count, they are also available (see the special order chart for availability).

Contact your S&S Customer Support Representative for more information.

### SECONDARY DRIVE BELTS (14MM PITCH)

Teeth	1⅞" Wide	MSRP	1½" Wide	MSRP
125	<b>106-0357</b>	\$241.95	–	–
126	–	–	<b>106-0348</b>	\$241.95
127	–	–	<b>106-0349</b>	\$241.95
128	<b>106-0358</b>	\$241.95	<b>106-0350</b>	\$241.95
130	<b>106-0359</b>	\$241.95	<b>106-0351</b>	\$241.95
132	<b>106-0360</b>	\$241.95	<b>106-0352</b>	\$241.95
133	<b>106-0361</b>	\$241.95	<b>106-0353</b>	\$241.95
135	<b>106-0362</b>	\$241.95	<b>106-0354</b>	\$241.95
136	–	–	<b>106-0355</b>	\$241.95
139	<b>106-0363</b>	\$241.95	<b>106-0356</b>	\$241.95
149	<b>106-1338</b>	\$241.95	<b>106-2695</b>	\$280.95
156	–	–	<b>106-2827</b>	\$241.95

### BELTS AVAILABLE BY SPECIAL ORDER (14MM PITCH)

Tooth Count	1.181" (30mm) Width*	1.25" Width*
125	●	
126	●	●
127	●	●
128	●	
130	●	
131	●	●
132	●	
133	●	
135	●	
136	●	●
137	●	●
139	●	
140	●	●
149	●	
150	●	●
151	●	●
152	●	●
156	●	

\*Minimum order required: 1.181" (30mm) – 16 belts; 1.25" – 17 belts.

Milwaukee  
 Twin Cam  
 96/103/710"  
 1999-2006  
 Twin Cam 88"  
 1986-2019  
 Sportster® & Buell®  
 2014-2019  
 Street & Street Rod™  
 1984-1999  
 Evolution®  
 1926-1984  
 Vintage Engines  
 Indian® & Victory® Models  
 Tools & Shop Supplies  
 Apparel  
 Warranty & Company Policy  
 Appendix & Index

# GASKETS

## REBUILD GASKET KITS FOR S&S T-SERIES 1999–UP ENGINES AND HOT SET UP KIT®

1999–up 4 1/8", S&S base bolt pattern	<b>106-0976</b>	\$178.95
1999–up, 4 1/8", Stock base bolt pattern	<b>310-0335</b>	\$231.95
1999–up T143 4.425" bore	<b>310-0751</b>	\$272.95

## TOP END GASKET KIT FOR TWIN CAM 96°/103° AND S&S ENGINES

Bore	Part #	MSRP
4 3/8"	<b>90-9511</b>	\$136.95
4 1/8" Stock Cases	<b>90-9510</b>	\$136.95
4" Stock Bolt Pattern	<b>90-9505</b>	\$83.95
3 7/8" Stock Bolt Pattern	<b>90-9504</b>	\$104.95

Kits include all gaskets and seals required to rebuild the top end of an S&S engine with S&S cylinders and cylinder heads. Rocker cover gaskets are not included in kits. See "S&S Rocker Cover Gasket Kit" chart to order separately.

## CYLINDER HEAD GASKET KITS FOR T-SERIES 1999-UP

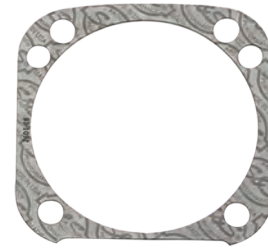
Bore	Part #	MSRP
4 1/8" Stock Bolt Pattern	<b>90-1914</b>	\$104.95
4 3/8" bore	<b>900-0800</b>	\$107.95
4" Stock Bolt Pattern	<b>90-1913</b>	\$45.95
3 7/8" & 3.937" Stock Bolt Pattern	<b>910-0465*</b>	\$83.95

Kits contain head gaskets, base gaskets or o-rings, and exhaust pipe gaskets for two cylinder heads. Rocker cover gaskets are not included in kits. See "S&S Rocker Cover Gasket Kit" chart to order separately.

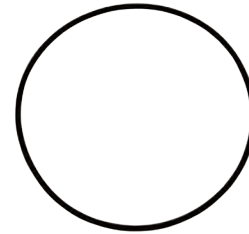
\*DISCLAIMER: NOT LEGAL FOR SALE OR USE IN CALIFORNIA ON ANY POLLUTION CONTROLLED MOTOR VEHICLE. NOT LEGAL FOR SALE OR USE ON ANY EPA POLLUTION CONTROLLED MOTOR VEHICLE.

## HEAD GASKETS FOR S&S® ENGINES

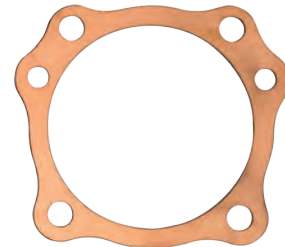
Description	Bore Size	Thickness	QTY	Part #	MSRP
Copper	4 3/8"	.045"	2 pack	<b>93-1081</b>	\$104.95
			each	<b>93-1091-S</b>	\$31.95
Layered Steel	4 1/8" Stock Bolt Pattern	.043"	2 pack	<b>930-0102</b>	\$62.95
			10 pack	<b>93-1920</b>	\$314.95
			2 pack	<b>900-0217</b>	\$73.95
Layered Steel	4 1/8" Stock Bolt Pattern with Twin Cooled™ Heads	.030"	2 pack	<b>900-0609</b>	\$62.95
Graphite	4" Stock Bolt Pattern	.043"	each	<b>93-1043-S</b>	\$13.95
			10 pack	<b>93-1058</b>	\$115.95
Layered Steel	4" Stock Bolt Pattern	.045"	2 pack	<b>900-0822</b>	\$73.95
Layered Steel	4" Stock Bolt Pattern	.030"	2 pack	<b>900-0821</b>	\$73.95
Layered Steel	3.937" Stock Bolt Pattern with Twin Cooled Heads	.030"	2 pack	<b>900-0605</b>	\$62.95
Graphite	3 3/4" Stock Bolt Pattern	.043"	each	<b>93-1045-S</b> 16775-99B	\$35.95
Layered Steel	3 7/8" & 3.937" including Twin-Cooled Heads	.045"	2 pack	<b>900-0862</b>	\$73.95
Layered Steel	4 1/16"	.045"	2 pack	<b>900-0762</b>	\$62.95
Layered Steel	4.125" Stock Bolt Pattern with Twin Cooled™ Heads	.045"	each	<b>900-0608</b>	\$31.95



Micropore



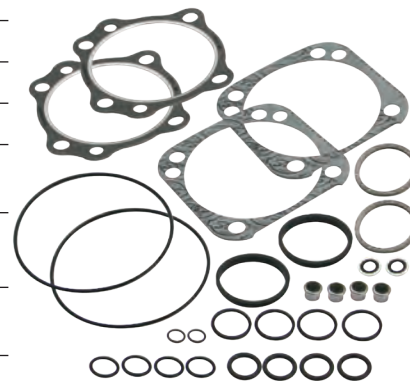
Viton® O-ring



Copper



Layered Steel



90-9505

## CONTINUED- GASKETS

### BASE GASKETS AND O-RINGS S&S® T-SERIES 1999–UP

Description	Bore Size	Thickness	QTY	Part #	MSRP
Graphite	4"	.018"	each	<b>93-1050-S</b>	\$5.95
			each	<b>93-1048-S</b>	\$6.95
	4½"	.018"	2 pack	<b>930-0101</b>	\$18.95
			10 pack	<b>93-1074</b>	\$53.95
Micropore	4¾"	.018"	2 pack	<b>93-1082</b>	\$13.95
			each	<b>93-1092-S</b>	\$9.95
	4½" Stock Bolt Pattern	.018"	2 pack	<b>930-0101</b>	\$18.95
			10 pack	<b>93-1921</b>	\$78.95
	4.425"	.018"	2 pack	<b>900-0783</b>	\$20.95
Viton O-ring	4"	.103"	each	<b>50-8049</b>	\$7.95
	3¾", 3⅞", 3.927"	.103"	each	<b>50-8048</b> 11256	\$5.95



106-5029



106-5688

### EXHAUST GASKETS

1984–'12 big twins	each	<b>106-5029</b> 65324-83B, 65324-83A	\$4.95
	10 pack	<b>93-1072</b>	\$47.95


### ROCKER COVER GASKET KITS

Rocker Cover Style	Head Type	Part #	MSRP
S&S Die-cast	S&S Heads	<b>90-4111</b>	\$57.95
Stock 1999–2017, except 2017 touring models	Stock or S&S Heads	<b>90-4097*</b>	\$104.95
Stock 1999–2017, except 2017 touring models	Stock heads	<b>900-0534</b>	\$73.95

All kits include gaskets for two rocker covers.

\*Kit contains bottom rocker gaskets for stock heads and S&S 79cc heads.

### VALVE GUIDE SEALS

Valve Stem Oil Seal, Hat Style	each	<b>900-0590</b> 18094-02	\$7.95
Valve Guide Seal	each	<b>106-5688</b>	\$3.95
Valve, Umbrella	each	<b>900-0495</b> 26858-99	\$3.95
Filter, Breather 	each	<b>900-0496</b> 63815-99	\$2.95

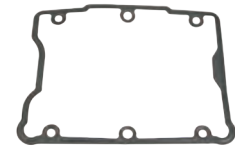
### DIE CAST ROCKER BOXES

Gasket, bottom rocker cover, 4½", 1984–up	each	<b>90-4071-S</b>	\$7.95
	2 pack	<b>90-4071</b>	\$14.95
	10 pack	<b>90-4099</b>	\$73.95

## CONTINUED- GASKETS

### STOCK ROCKER BOXES

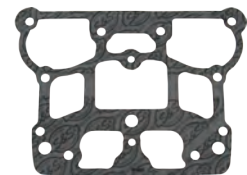
O-ring, (-114), .625" ID x .812" OD, Black, Viton®			<b>50-8033</b> 11270	\$2.95	
Gasket, bottom rocker cover, 4 1/8", 1984-up		each	<b>90-4071-S</b> 16719-99B	\$7.95	
		2 pack	<b>90-4071</b>	\$14.95	
		10 pack	<b>90-4099</b>	\$73.95	
Gasket,Breather Cover,Stock Pattern		1999-'10	each	<b>90-4077</b> 17591-99, 17162-03, 17592-99	\$2.95
		2011-'17	each	<b>900-0415</b>	\$9.95
Gasket,Breather Baffle,Stock Pattern		1999-'10	each	<b>90-4078</b> 17162-03, 17592-99	\$2.95
		2011-'17	each	<b>900-0416</b>	\$7.95
Gasket,Rocker Cover,Steel, 1999-up bt		each	<b>90-4096-S</b> 17386-99A	\$12.95	
Gasket,Rocker Cover,w/Stock Rocker Box, 1999-up bt		each	<b>90-4124</b>	\$15.95	
		2 pack	<b>90-4120</b>	\$31.95	



90-4096-S



90-4124



90-4071-S


### LOWER END GASKETS AND SEALS

Gear Cover gasket	each	<b>31-2032-S</b> 25244-99A	\$7.95
Tappet Cover gasket	each	<b>33-5303-S</b> 18635-99B	\$3.95
	2 pack	<b>33-5303-2</b> 18635-99B	\$6.95

### PUSHROD O-RINGS

O-ring,Kit,Pushrod Cover,1984-'99 bt			<b>93-4022</b>	\$7.95
Top O-ring	each		<b>50-8039</b> 11293, 11157, 11101, 11190	\$2.95
Middle O-ring	each		<b>50-8038</b> 11132A	\$2.95
Bottom O-ring	each		<b>50-8037</b> 11145A	\$2.95
Sprocket Shaft seal			<b>31-4035</b> 12068	\$15.95
S&S Oil pump seal kit			<b>31-2097</b>	\$24.95
Oil Pump Scavenge o-ring	each		<b>50-8039</b> 11293, 11157, 11101, 11190	\$2.95
Case alignment dowel o-ring		each	<b>50-8034-S</b> 26432-76A	\$5.95
		2 pack	<b>50-8034</b> 26432-76A	\$10.95
Oil jet o-ring		each	<b>50-8270</b>	\$2.95
		5 pack	<b>50-8275</b>	\$3.95
Cam plate and oil line plate o-ring		each	<b>50-8066-S</b> 11301	\$0.95

### MANIFOLD SEALS

S&S Manifold O-Ring	<i>each</i>	<b>16-0235</b>	\$6.95
	<i>10 pack</i>	<b>16-0243</b>	\$48.95
Stock Manifold O-ring 	<i>each</i>	<b>16-0236</b> 26995-86B, 26995-86A, 26992-99	\$5.95
	<i>10 pack</i>	<b>16-0244</b> 26995-86A, 26992-99, 26995-86B	\$42.95
Cap, rubber, manifold, fitting	<i>each</i>	<b>50-8372</b>	\$2.95

### CLASSIC TEARDROP AIR CLEANER

Backplate gasket	<i>each</i>	<b>106-1724</b>	\$3.95
	<i>10 pack</i>	<b>106-2328</b>	\$26.95
Vent seal washers silicone coated steel	1/2"	<i>each</i>	<b>50-7055</b> \$2.95
		<i>10 pack</i>	<b>50-7057</b> \$12.95
	3/8"	<i>each</i>	<b>50-7054</b> \$2.95
		<i>10 pack</i>	<b>50-7059</b> \$12.95

### STEALTH AIR CLEANER

#### Backplate gasket

Stock CV Carb & EFI Throttle Body, 1991-up xl/bt (except Throttle by Wire)		<b>106-6022</b> 29062-95B	\$3.95
Super E/G	<i>each</i>	<b>106-1724</b>	\$3.95
	<i>10 pack</i>	<b>106-2328</b>	\$26.95
For Muscle air cleaner (includes lanyards)		<b>170-0137</b>	\$24.95
Vent seal washers Nitrile Rubber Coated, .380" x .880" x .024"	<i>each</i>	<b>50-7054</b>	\$2.95
	<i>10 pack</i>	<b>50-7059</b>	\$12.95

### SINGLE BORE TUNED INDUCTION

#### Backplate gasket

Gasket, Backplate - E/G/SBEFI	<i>each</i>	<b>106-1724</b>	\$3.95
	<i>10 pack</i>	<b>106-2328</b>	\$26.95
Gasket, S&S SBEFI 58mm		<b>106-4662</b>	\$5.95
Gasket, Stock carb/Throttle Body		<b>106-6022</b> 29062-95B	\$3.95
Adaptor plate gasket		<b>17-1022</b>	\$5.95
Adaptor plate bracket o-ring	<i>each</i>	<b>50-0446</b>	\$3.95

### SINGLE BORE EFI THROTTLE BODY

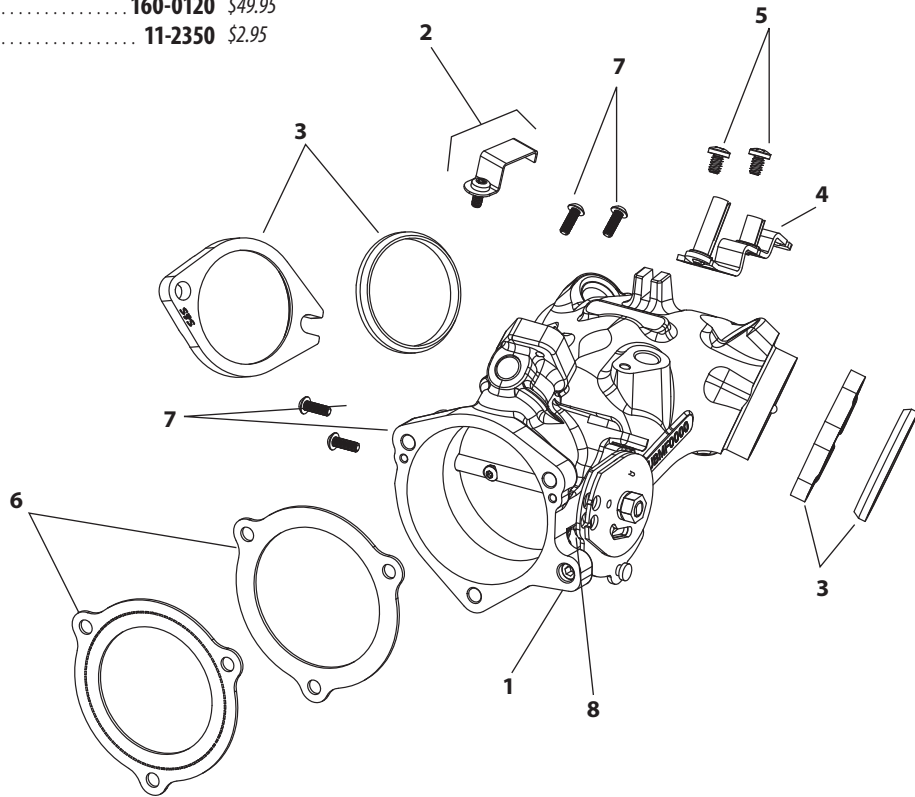
#### Backplate gasket

52mm	<i>each</i>	<b>106-1724</b>	\$3.95
	<i>10 pack</i>	<b>106-2328</b>	\$26.95
58mm	<i>each</i>	<b>106-4662</b>	\$5.95
O-ring, throttle body to manifold		<b>50-7967-S</b>	\$2.95
Air Temp Sensor gasket		<b>16-5009-S</b>	\$4.95
IAC o-ring		<b>50-8149-S</b>	\$2.95
Fuel injector o-ring top		<b>50-8264-S</b>	\$3.95
Fuel injector o-ring bottom		<b>50-8265-S</b>	\$3.95
Fuel rail inlet o-ring	<i>each</i>	<b>50-8137-S</b> 27237-95	\$2.95

# THROTTLE HOG CABLE-OPERATED THROTTLE BODIES

## REPLACEMENT PARTS

- 1. Throttle Body, Assembly, Cable Operated ..... **N/A** -
- 2. Clamp, Kit, Hold-Down, MAP Sensor ..... **160-0169** \$9.95
- 3. Flange, Set, Packaged, 2006–Up bt. .... **160-0168** \$83.95
- 4. Guide, Assembly, Throttle Cable ..... **160-0113** \$89.95
- 5. Screw, PH Panhead, 10–24 x 5/16", Zinc, Steel ..... **50-0093-S** \$2.95
- 6. Gasket, Throttle Body,  
58mm. .... **160-0050** \$3.95  
66mm. .... **160-0035** \$3.95
- 7. Screw, Torx, M4 x 12mm, Zinc, Steel ..... **50-0358-S** \$0.95
- 8. Throttle Return Spring ..... **160-0119** \$7.95
- 9. Throttle Cable Spool ..... **160-0120** \$49.95
- 10. Throttle Shaft Nut ..... **11-2350** \$2.95



**6.2 g/s FUEL INJECTORS for  
2006-2017 Cable-operated Throttle Hogs** **550-0749** \$178.95

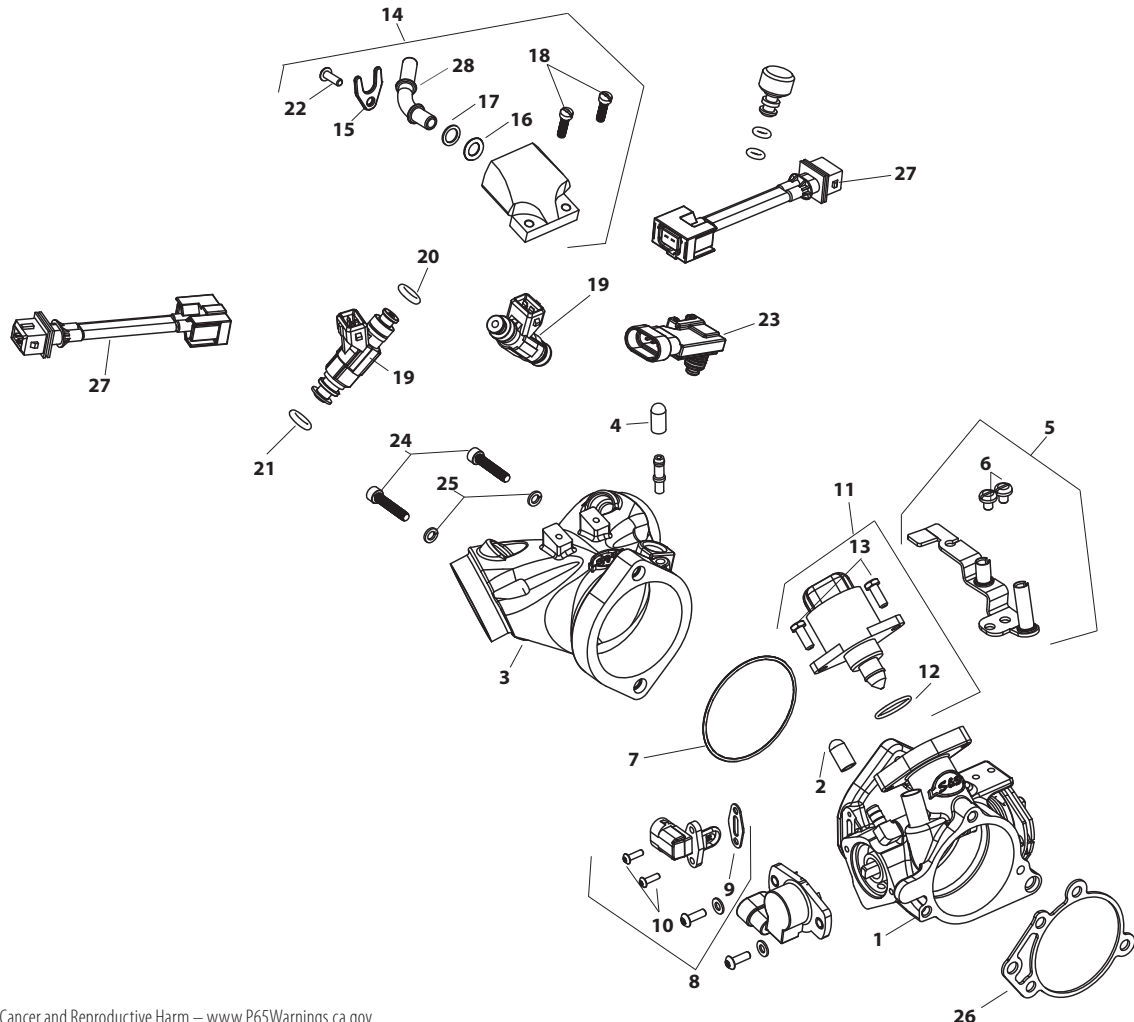















# SINGLE BORE EFI THROTTLE BODY AND RELATED REPLACEMENT PARTS

- |   |           |          |  |
|---|-----------|----------|--|
| 1. Throttle body  |           |          |  |
| 52mm, 2006-'16 bt (N/S)                                 | 16-5153   | \$398.95 |  |
| 58mm, 2006-'16 bt (N/S)                                 | 106-3957  | \$367.95 |  |
| 2. Cap, canister purge (each)                           | 50-8266-S | \$5.95   |  |
| 3. Manifold (See page 102)                              |           |          |  |
| 4. Cap, rubber, manifold, fitting                       | 50-8372   | \$2.95   |  |
| 5. Throttle cable guide packet with hardware            | 55-5084   | \$36.95  |  |
| 6. Screw, cable guide & air cleaner backplate (each)    | 50-0041   | \$2.95   |  |
| 10 pack   | 50-0062   | \$4.95   |  |
| 7. O-ring, throttle body to manifold 27270-95           | 50-7967-S | \$2.95   |  |
| 8. Intake air temperature sensor with hardware 27270-95 | 55-5041±  | \$18.95  |  |
| 9. Gasket, IAT  | 16-5009-S | \$4.95   |  |
| 10. Screw, M3, IAT                                      | 50-0357-S | \$0.95   |  |
| 11. Idle air control motor SS EFI with hardware         | N/A       |          |  |
| 12. O-ring, IAC   | N/A       |          |  |
| 13. Screw, Idle air control motor                       |           |          |  |
| 2006-'16 (each)   | 50-0358-S | \$0.95   |  |
| 14. Fuel rail kit                                       |           |          |  |
| 2006-'16 (Fuel inlet tube not included.)                | 16-5202   | \$117.95 |  |
| 15. Tube clip, fuel rail inlet 2001-'16 (each)          | 50-0391-S | \$8.95   |  |
| 16. O-ring, fuel rail inlet, 2001-'16 27237-95 (each)   | 50-8137-S | \$2.95   |  |
| 17. Backing washer, fuel rail inlet, 2001-'15           | 50-0349-S | \$0.95   |  |
| 18. Screw, rail, 1995-'16 (each)                        | 50-0039   | \$2.95   |  |
| 10 Pack   | 50-0146   | \$5.95   |  |
| 19. Fuel injector (each)                                | 55-5052A  | \$157.95 |  |
| 2 Pack  | 55-5052   | \$262.95 |  |
| 20. O-ring, injector top, black                         | 50-8264-S | \$3.95   |  |
| 21. O-ring, injector bottom, orange                     | 50-8265-S | \$3.95   |  |
| 22. Screw, fuel rail (each)                             | 50-0358-S | \$0.95   |  |
| 23. MAP sensor 32424-98, 32416-10, 32417-10             | 55-5057   | \$44.95  |  |
| 24. Screw, throttle body to manifold (each)             | 50-0359-S | \$0.95   |  |
| 25. Washer, lock, #10, throttle body to manifold        | 50-7000   | \$0.95   |  |
| 26. Gasket, backplate                                   |           |          |  |
| 52mm (each)   | 106-1724  | \$3.95   |  |
| 10 pack   | 106-2328  | \$26.95  |  |
| 58mm (each)   | 106-4662  | \$5.95   |  |
| 27. Harness, injector adapter kit                       |           |          |  |
| 1995-'05  | 55-5074   | \$19.95  |  |
| 2006-'16 (N/S)  | 55-5209   | \$13.27  |  |
| 28. Fuel inlet tube 45°, 2002-'16 27221-95              | 50-0485   | \$23.95  |  |
| 29. Spacer, throttle position – 2002-'16 (N/S)          | 55-5201   | \$8.95   |  |

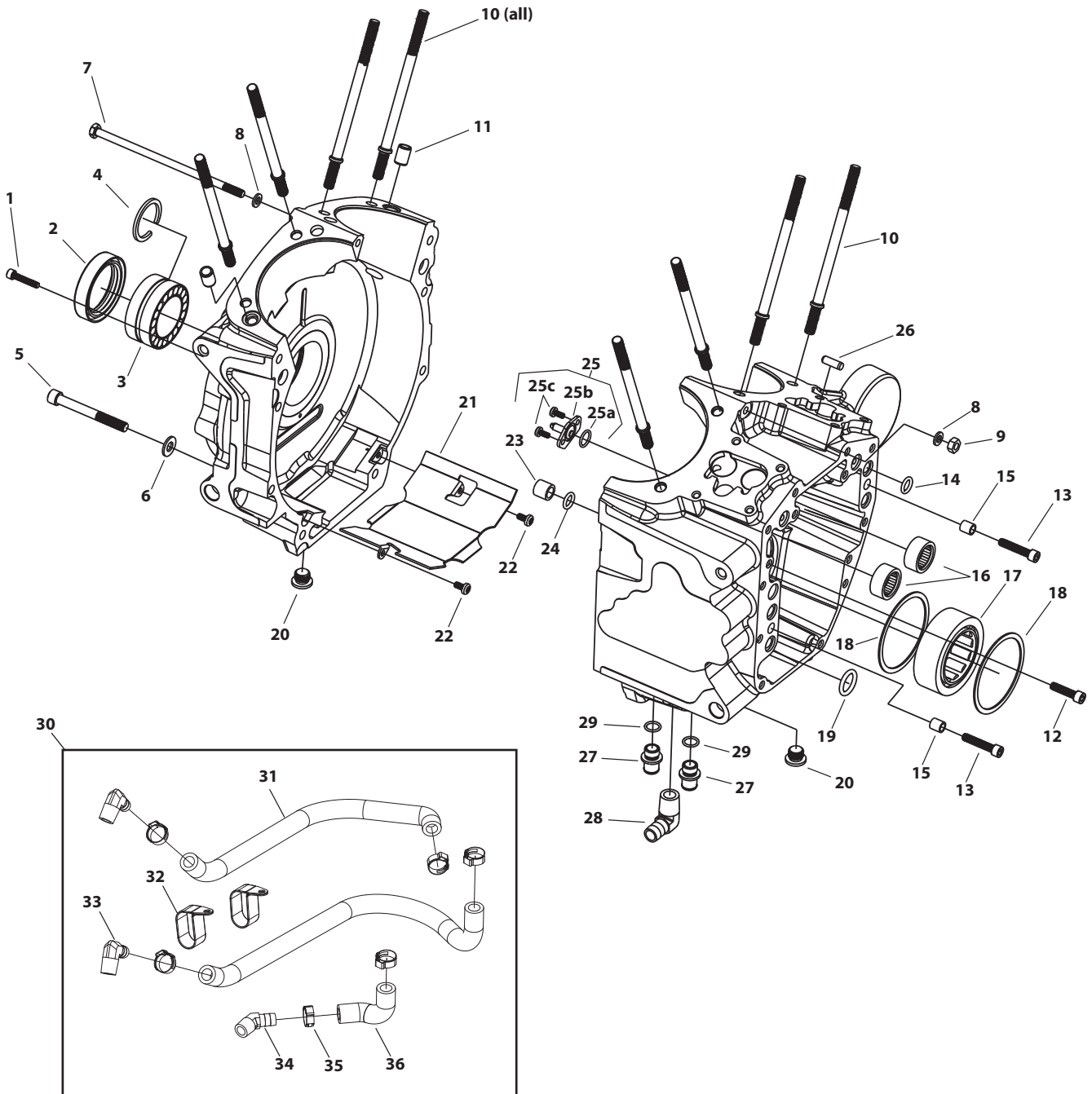
(N/S) = Not Shown  
N/A = Not Available



# SUPER STOCK T2 CRANKCASE REPLACEMENT PARTS

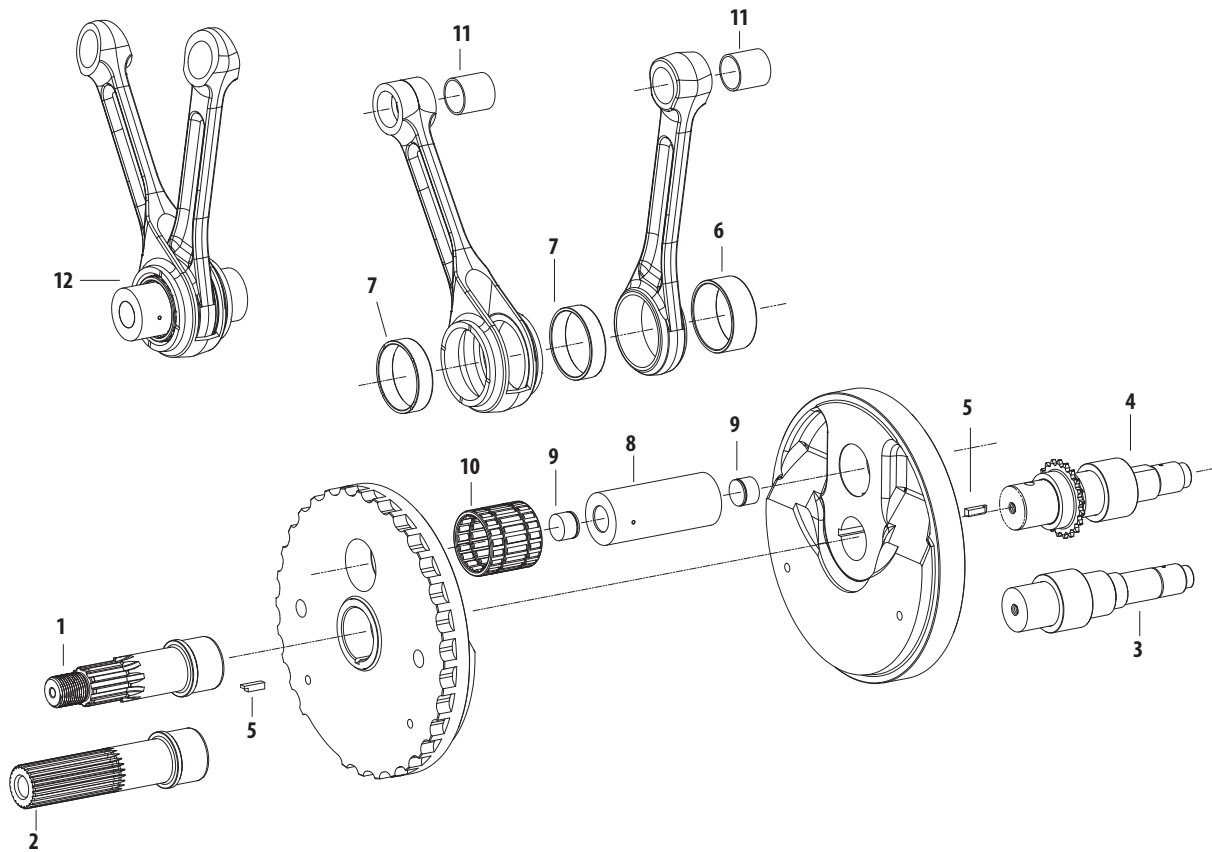
- |  |  |          |
|--|--|----------|
| 1. Bolt, stator 10-24 x 1" SHC - 4 required 2720   | <b>50-0044</b>   | \$2.95   |
| 2. Seal, sprocket shaft 12068  | <b>31-4035</b>   | \$15.95  |
| 3. Bearing, Timken® sprocket shaft 9028  |  <b>31-4013</b>     | \$75.95  |
| 4. Timken Main Bearing Spacers<br>Fits 1 1/4" stock diameter shaft.  |  |          |
| .0995" - .1005" 9124   |  <b>31-4071</b>     | \$12.95  |
| .1015" - .1025" 9125   |  <b>31-4072</b>     | \$12.95  |
| .1035" - .1045" 9126   |  <b>31-4073</b>     | \$12.95  |
| .1055" - .1065" 9127   |  <b>31-4074</b>     | \$12.95  |
| .1075" - .1085" 9128   |  <b>31-4075</b>     | \$12.95  |
| .1195" - .1205" 9134   |  <b>31-4076</b>     | \$8.95   |
| 5. Bolt, case 5/16" - 18 x 3 1/2" HHC - 8 required<br>Chrome (each)  | <b>50-0254-S</b>   | \$5.95   |
| Zinc 3427 (each)   | <b>50-0117</b>   | \$2.95   |
| 6. Washer, flat 5/16" x 1 1/16" x 1/16" - 8 required 6320, 70907-07, 6016, 6702                                    | <b>50-7034</b>   | \$0.95   |
| 7. Bolt center case Screw, HHC, Gr8, 1/4-28 x 5-1/2", Zinc, Steel  | <b>50-0090</b>   | \$2.95   |
| 8. Washer, flat, 1/4" x .474" x .050"  | <b>50-7020</b>   | \$2.95   |
| 9. Nut 1/4"-28 Grade 8 - 1 required 7683   | <b>50-5011</b>   | \$0.95   |
| 10. Cylinder stud, S&S® Bolt Pattern - 8 required (each)   |  <b>31-2325-S</b>   | \$7.95   |
| 8 pack   |  <b>31-2340</b>     | \$51.95  |
| Cylinder stud, Stock Bolt Pattern - 8 required (each)  | <b>310-0437</b>  | \$5.95   |
| 11. Pin, Dowel, .4377" x .500", Steel, 4 Pack  | <b>500-0219</b>  | \$23.95  |
| 12. Bolt, cam plate 1/4" - 20 x 1" SHC - 4 required 852  | <b>50-0084</b>   | \$2.95   |
| 13. Bolt, cam plate 1/4" - 20 x 1 1/4" SHC - 2 required 4740A, 3482A   | <b>50-0008</b>   | \$2.95   |
| 14. O-ring, cam plate - 9 required 11301 (each)  | <b>50-8066-S</b>   | \$0.95   |
| 15. Dowel, cam plate - 2 required 16589-99A  | <b>50-8148-S</b>   | \$3.95   |
| 16. Bearing, Inner, Needle, Cam, 1.0" x 1.25" x .50" 9215  |  <b>31-4199-S</b> | \$16.95  |
| 17. Bearing, pinion shaft - Fits all S&S and OEM 2000-'02<br>(Balanced models only) & all OEM 2003-up<br>24604-00D | <b>31-4085</b>   | \$62.95  |
| 18. Retaining Ring, Internal, 25/8", Black, Carbon Steel 2 required  | <b>310-0730</b>  | \$4.95   |
| each   |  |          |
| 19. O-ring, oil pump 1 1/16" I.D. x 15/16" O.D. x 1/8" CS 11293, 11157, 11101, 11190                               | <b>50-8039</b>   | \$2.95   |
| each   |  |          |
| 20. Plug, magnetic drain   | <b>50-8335</b>   | \$12.95  |
| 21. Baffle plate   | <b>31-0119-S</b>   | \$13.95  |
| 22. Screw 10-24 x 3/8" pan head - 2 required   | <b>50-0050</b>   | \$2.95   |
| each   |  |          |
| 23. Dowel, case alignment - 2 required 16574-99A, 16573-83, 16573-83A  | <b>50-8023</b>   | \$3.95   |
| each   |  |          |
| 10 pack  | <b>50-8109</b>   | \$20.95  |
| 24. O-ring, case alignment, - 2 required 26432-76A<br>9/16" I.D. x 1 1/16" O.D. x 1/6" CS (each)                   | <b>50-8034-S</b>   | \$5.95   |
| 2 pack   | <b>50-8034</b>   | \$10.95  |
| 25. Jet, Assembly, Piston Cooling, Low Profile, for T143<br>Piston Oiler Jet Kit                                   |  <b>310-0647</b>  | \$23.95  |
| Piston Oiler Jet Kit includes:   |  |          |
| a. O-ring, (-014), .500" ID x .625" OD 11140, 11273  | <b>50-8270</b>   | \$2.95   |
| each   |  |          |
| 10 pack  | <b>50-8130</b>   | \$5.95   |
| b. Jet, Assembly, Piston Cooling   | <b>310-0646</b>  | \$18.95  |
| each   |  |          |
| c. Screw, Torx Panhead, 8-32 x 3/8", Zinc, Steel 68042-99  | <b>50-0054-S</b>   | \$0.95   |
| each   |  |          |
| 26. Pin Dowel, 2 pack  | <b>50-8195</b>   | \$4.95   |
| 27. Fitting, crankcase vent, 2 pack  | <b>50-0451</b>   | \$13.95  |
| 28. Fitting Pipe, 90°, Bared Male Pipe 3/8   | <b>50-8288</b>   | \$25.95  |
| 29. O-ring, -13, .437 ID, X .565 OD, Viton 11105, 11273  | <b>50-8008</b>   | \$2.95   |
| 30. Installation Kit, Oil Line, 2007-'16 FL  | <b>310-0435±</b>   | \$157.95 |
| Installation Kit Includes:   |  |          |
| 31. Hose, Oil Line, .500" x .750" x 24"  | <b>500-0223</b>  | \$52.95  |
| 32. Clamp, Hose, Pinch Style, .812" OD Hose  | <b>500-0241</b>  | \$41.95  |
| 33. Fitting Pipe, 90°, Bared Male Pipe 3/8   | <b>50-8288</b>   | \$25.95  |
| 34. Fitting, Pipe, 45°, Male, 3/8 NPT x .500", Brass   | <b>500-0226±</b>   | \$12.95  |
| 35. Clamp, Hose, Pinch Style, 45/64" - 53/64"  | <b>50-0378-S</b>   | \$0.95   |
| 36. Hose, Oil Line, Feed, Formed, .500" ID, 2007-up Touring  | <b>310-0350</b>  | \$20.95  |

(N/S) = Not shown



# 5-PIECE FLYWHEEL REPLACEMENT PARTS

- |  |                    |          |
|--|--------------------|----------|
| 1. Sprocket Shaft, 1999–2006 bt (includes key #5).....             | <b>33-2009</b>     | \$127.95 |
| 2. Sprocket Shaft, 2006 Dyna®, 2007–2012 bt .....                  | <b>33-2011</b>     | \$239.95 |
| 3. Pinion Shaft, 1999–2012 bt (includes key #5) .....              | <b>N/A</b>         | -        |
| 4. Pinion Shaft, 2000–2012 w/balancer (includes key #5) .....      | <b>N/A</b>         | -        |
| 5. Key (each) .....  | <b>50-8227</b>     | \$3.95   |
| 6. Front Rod Race, 1999–2012.....                                  | <b>USA 34-4008</b> | \$27.95  |
| 7. Rear Rod Race .....   | <b>USA 34-4013</b> | \$25.95  |
| 8. Crankpin<br>Standard .....                                      | <b>106-6239</b>    | \$135.95 |
| + .001.....  | <b>340-0017</b>    | \$135.95 |
| + .002.....  | <b>340-0018</b>    | \$135.95 |
| 9. Crankpin Plug (each) .....                                      | <b>106-5256</b>    | \$4.95   |
| 2 pack .....   | <b>50-8329-2</b>   | \$8.95   |
| 10. Bearing Assembly.....  | <b>340-0028</b>    | \$157.95 |
| 11. Wristpin Bushing,<br>1999–2012* bt, straight bushing.....      | <b>USA 34-4012</b> | \$7.95   |
| 12. Connecting Rod Set,<br>T143, full width wristpin, 7.800" ..... | <b>340-0128</b>    | \$629.95 |

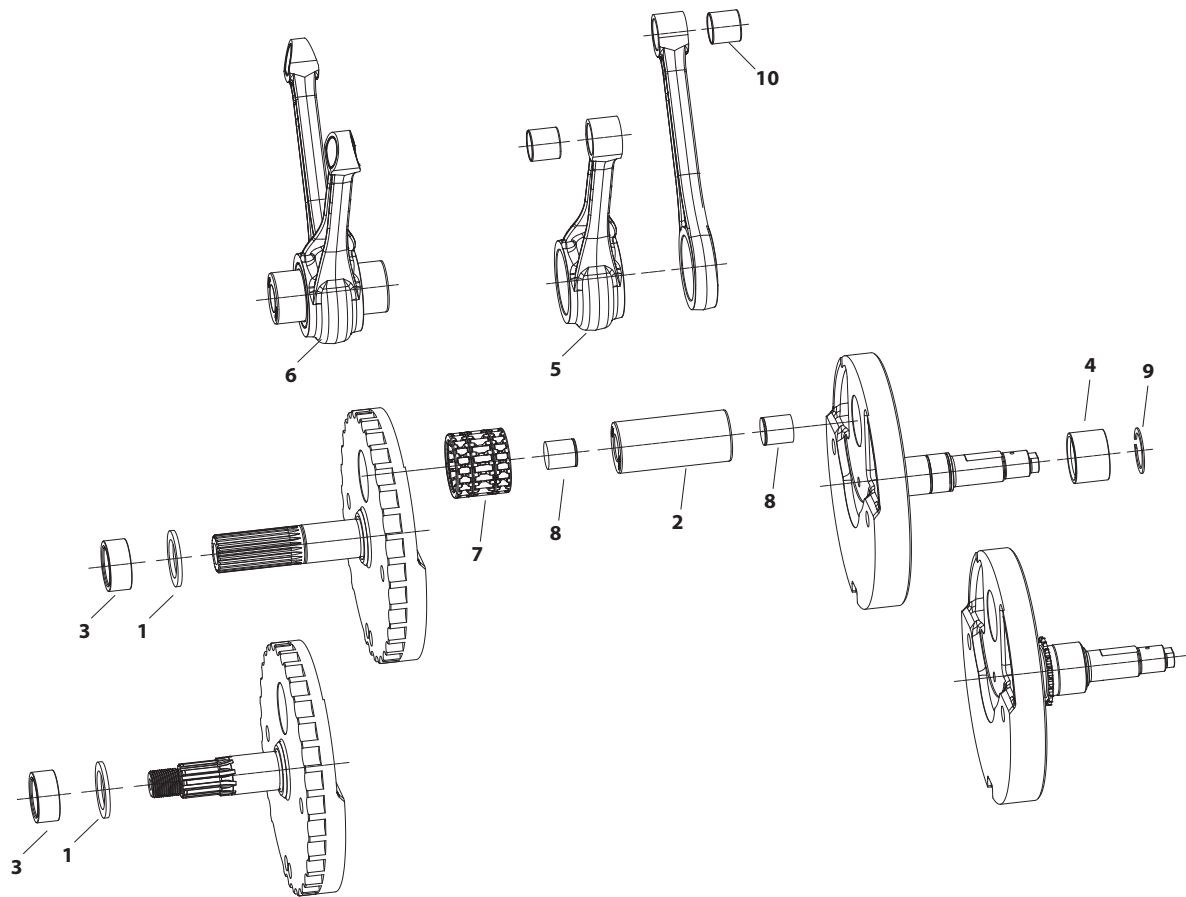


## NOTES

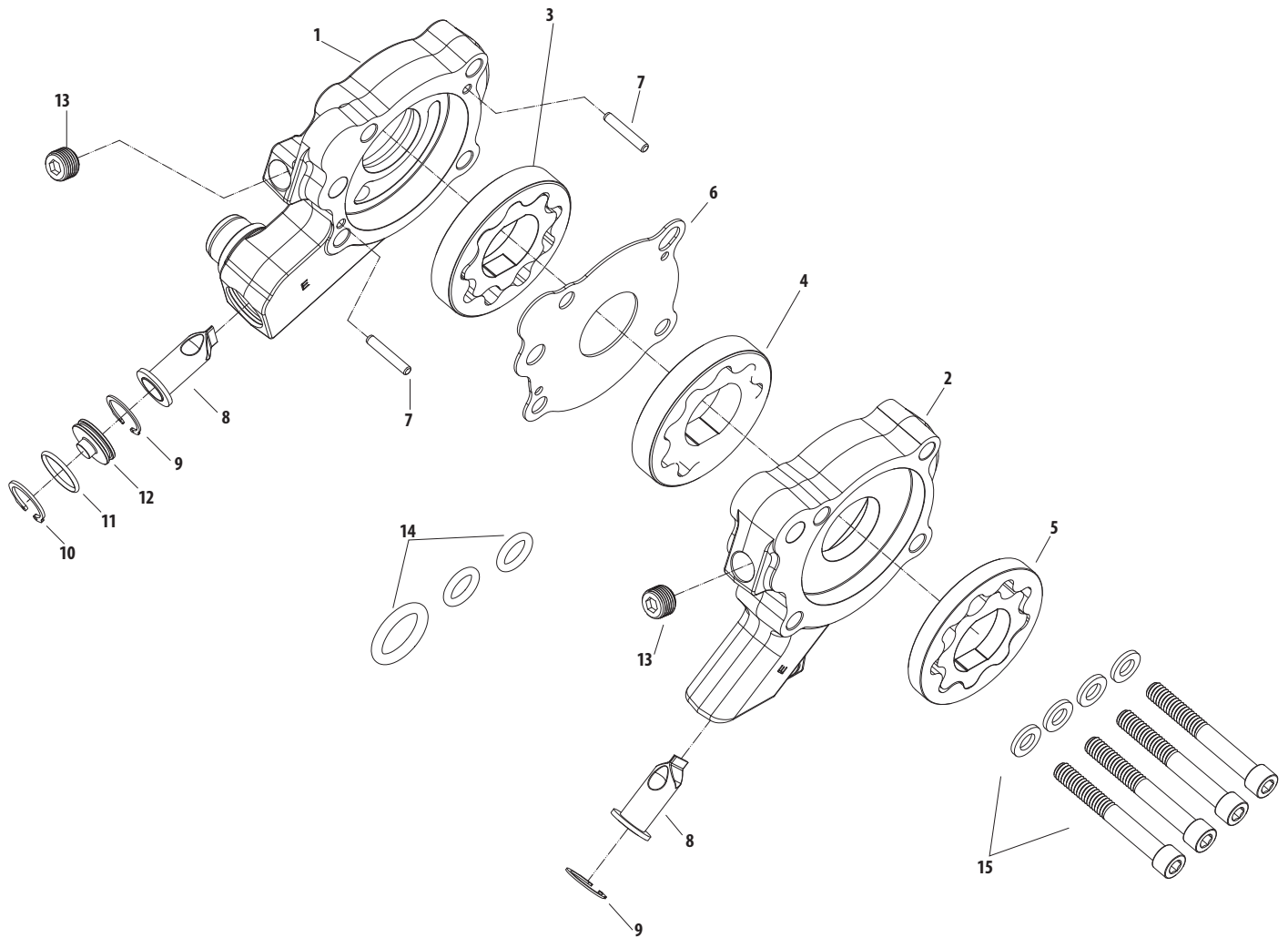
Due to different crankpin diameters, S&S® connecting rod assemblies cannot be used with stock Harley-Davidson® flywheels. S&S flywheels for Harley-Davidson® Twin Cam 88® and Twin Cam 96™ engines are pressed together as opposed to using the traditional tapered shafts and crankpin. Assembly and truing requires special equipment.

# 3-PIECE FLYWHEEL REPLACEMENT PARTS

- |   |                 |          |   |                 |          |
|---|-----------------|----------|---|-----------------|----------|
| 1. Washer, Flywheel, Thrust, 1.25" x 1.83" x .136", Hardened Steel<br>.....           | <b>320-0198</b> | \$19.95  | 6. Connecting Rod, Set, Tapered Wristpin, 7.659" .....  | <b>340-0061</b> | \$556.95 |
| 2. Crankpin, Press-In, Straight, 1.671", 1999-Up bt (includes plugs)<br>Standard..... | <b>340-0069</b> | \$123.95 | 7. Bearing, Set, Rod, Standard .....  | <b>310-0752</b> | \$136.95 |
| + .001.....   | <b>340-0070</b> | \$167.95 | Bearing Set, Rod, Standard, T143.....   | <b>340-0127</b> | \$241.95 |
| + .002.....   | <b>340-0071</b> | \$123.95 | 8. Plug, Drive, .8965" x .850", Steel, Fatigue Proof<br>2 pack.....   | <b>500-0187</b> | \$24.95  |
| 3. Race, Inner, Left Main Bearing,<br>1.25" x 1.65" x .713", Hardened Steel .....     | <b>340-0076</b> | \$36.95  | 9. Retaining Ring, External, Pinion Bearing, 1.160" x 1.480" x .046"<br>Carbon Steel, SAE 1060-1090 11177A..... | <b>50-8057</b>  | \$1.95   |
| 4. Race, Inner, Right Main Bearing,<br>1.25" x 1.65" x 1.120", Hardened Steel .....   | <b>340-0077</b> | \$35.95  | 10. Bushing, Wristpin, .928", Bronze each.....  | <b>340-0024</b> | \$6.95   |
| 5. Connecting Rod, Set, Full Width Wristpin, 7.575", 120R.....                        | <b>340-0062</b> | \$556.95 |   |                 |          |
| Connecting Rod, Set, Full Width Wristpin, 7.659".....                                 | <b>340-0074</b> | \$524.95 |   |                 |          |
| Connecting Rod Set, Full Wristpin, 7.800", T143.....                                  | <b>340-0128</b> | \$629.95 |   |                 |          |



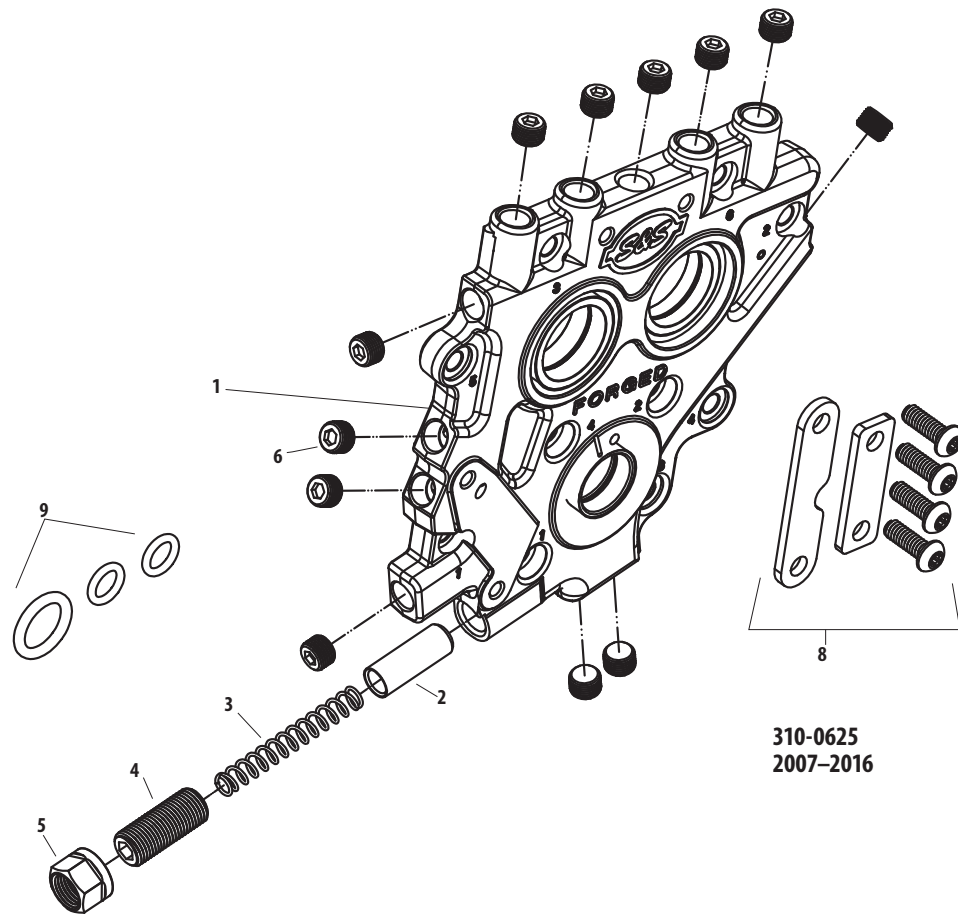
# TC3 OIL PUMP REPLACEMENT PARTS



- 1. Oil pump body case return section ..... **NA** -
- 2. Oil pump body cam chest return / pressure feed ..... **NA** -
- 3. Oil pump rotor set, flywheel cavity return ..... **310-0644** \$60.95
- 4. Oil pump rotor set, cam chest cavity return ..... **36-7021-S** \$38.95
- 5. Oil pump rotor set, supply ..... **310-0561** \$49.95
- 6. Plate, divider ..... **310-0516** \$8.95
- 7. Dowel Pin, .125 x .750 Hardened Steel ..... **500-0858** \$4.95
- 8. Debris screen ..... **310-0546** \$10.95
- 9. Internal Retaining Ring, .625 ..... **500-0860** \$4.95
- 10. Internal Retaining Ring, 17mm ..... **500-0859** \$4.95
- 11. O-ring, 1.5mm x 14mm, Viton (5 Pack) ..... **500-0861** \$10.95
- 12. Oil pump return plug ..... **310-0564** \$6.95
- 13. Plug, Pipe 1/8" 27 ..... **50-8331A** \$2.95
- 14. O-ring kit ..... **500-0326** \$6.95
- 15. Screw, Kit, Oil Pump, 1999-Up BT  
(1/4" 20 x 2" SHCS w/washers) ..... **500-0327** \$6.95



# TC3 CAM PLATE REPLACEMENT PARTS


- |   |                  |         |
|---|------------------|---------|
| 1. Cam support plate .....                        | N/A              | -       |
| 2. Pressure relief valve .....                    | <b>31-6082-S</b> | \$5.95  |
| 3. Pressure relief spring .....                   | <b>31-6018</b>   | \$2.95  |
| 4. Pressure relief adjusting screw .....          | <b>170-0252</b>  | \$10.95 |
| 5. Pressure relief adjusting screw lock nut ..... | <b>170-0251</b>  | \$7.95  |
| 6. 1/8" 27 taper pipe plug .....                  | <b>50-8331A</b>  | \$2.95  |
| 7. Bearing retention plate kit .....              | <b>330-0015</b>  | \$8.95  |
| 8. Hydraulic tensioner block off kit .....        | <b>106-5723</b>  | \$11.95 |
| 9. O-ring kit .....                               | <b>500-0326</b>  | \$4.87  |



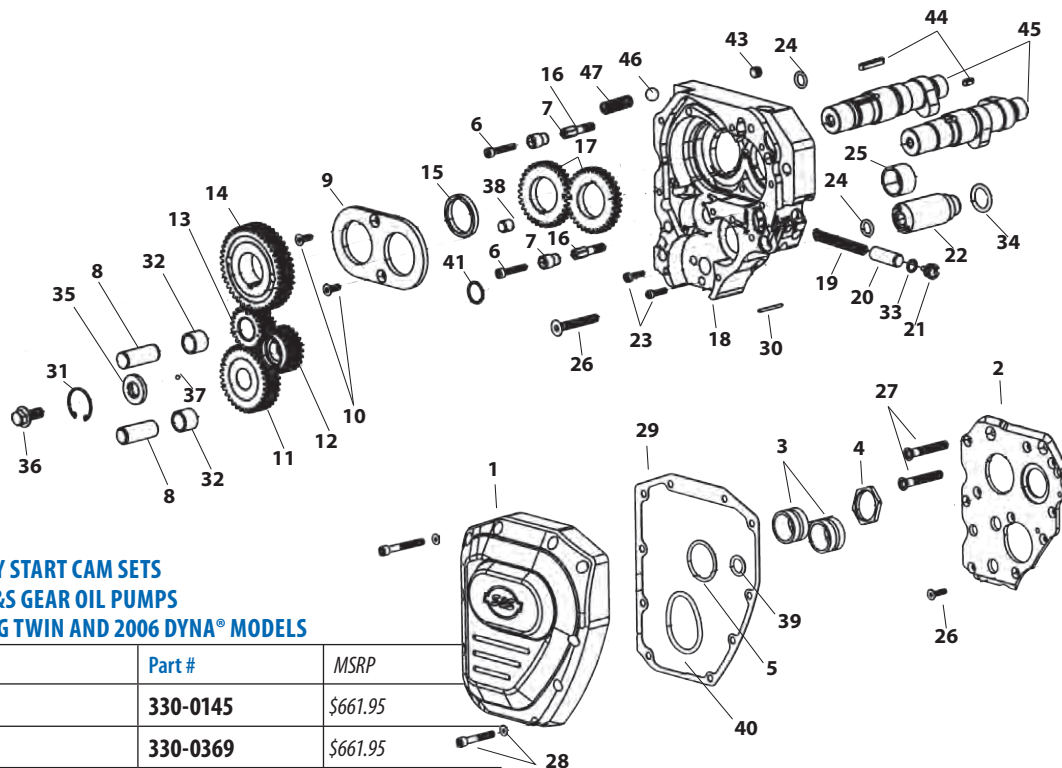
**310-0625**  
**2007-2016**

# OIL PUMP REPLACEMENT PARTS FOR 2007–'16 HARLEY-DAVIDSON® BIG TWINS

1. Cover, assembly, camchest  
Chrome..... **N/A** –
2. Cover plate..... **N/A** –
3. Bushing, cam support (each)..... **31-4087-S** \$65.95
4. Nut, gear retainer, rear cam..... **N/A** –
5. O-ring, Viton (-220) (each)..... **50-8245-S** \$3.95
6. Screw, SHC - 10-24 x 1" (each)..... **50-0044** \$2.95
7. Alignment dowel (each)..... **50-8182-S** \$62.95
8. Idler gear shaft (each)..... **31-2079-S** \$18.95
9. Divider plate..... **31-6508** \$117.95
10. Screw FHSC 10-24 x 1/2" (5 pack)..... **N/A** –
11. Gear, cam chest return..... **N/A** –
12. Gear assembly, pinion shaft..... **N/A** –
13. Gear, idler - Includes item PN 33-4214 bushing..... **N/A** –
14. Gear, cam drive..... **33-4292** \$200.95
15. Gear, spacer..... **N/A** –
16. Thread adapter..... **31-2089-S** \$24.95
17. Cam drive gear..... **N/A** –  
(For reference only, not included in pump kit.)
18. Body assembly.....  **31-6505** \$629.95
19. Spring, pressure control (each)..... **31-6018** \$2.95  
10 pack.....  **31-6084** \$13.95
20. Plunger, pressure control valve 26400-82, 26400-82B..... **31-6082** \$7.95
21. Pressure control plug w/o-ring..... **N/A** –
22. Fitting, flywheel cavity return..... **N/A** –
23. Screw, SHC 8-32 x 5/8" (5 pack)..... **N/A** –
24. O-ring, Viton 11301 (each)..... **50-8066-S** \$0.95

25. Bushing, pinion shaft..... **N/A** –
26. Screw FHSC 10-24 x 3/4" (5 pack)..... **50-8328** \$4.95
27. Screw FHSC 1/4"-20 x 2" (5 pack)..... **N/A** –
28. Kit, cover screw..... **50-1035** \$44.95
29. Gasket (each)..... **31-2032-S** \$7.95
30. Dowel pin, 3/32" diameter x 1" (each)..... **50-8193-S** \$0.95
31. Retaining ring (5 pack)..... **N/A** –
32. Bushing..... **33-4214** \$19.95
33. O-ring 5/16" O.D. x 1/16" Viton (-011)..... **50-8138-S** \$2.95
34. O-ring (-209) Viton (each)..... **50-8039** \$2.95
35. Washer, pinion gear..... **50-0331-S** \$40.95
36. Screw, FHSC - 5/16"-18 x 3/4" G8 25566-06..... **50-0100** \$0.95
37. Steel ball, 1/8" (each)..... **50-8092-S** \$0.95
38. Pin dowel - .275" I.D. x .3745" O.D. x .397"..... **50-8148-S** \$3.95
39. Viton o-ring (-207) (5 pack)..... **N/A** –
40. Viton o-ring (-225) (5 pack)..... **N/A** –
41. Viton o-ring (-16) (5 pack)..... **N/A** –
42. Screw, FLC 1/4"-20 x 13/4" 905 (each)..... **50-0334-S** \$0.95
43. Pipe plug 1/8"-27 (each)..... **50-8331A** \$2.95  
10 pack..... **50-1015** \$10.95
44. Key kit - cams..... **N/A** –
45. Camshafts - See Cam Selection Chart below.
46. Ball, pressure relief valve 3/8" diameter  
8866, 8873.....  **50-8091** \$0.95
47. Spring, pressure relief valve..... **N/A** –

**N/S = Not Shown**  
**N/A = Not Available**



## GEAR DRIVE EASY START CAM SETS FOR USE WITH S&S GEAR OIL PUMPS FOR 2007-'15 BIG TWIN AND 2006 DYNA® MODELS

Cam*	Part #	MSRP
585GPE	<b>330-0145</b>	\$661.95
635GPE	<b>330-0369</b>	\$661.95
640GPE	<b>330-0144</b>	\$661.95

\*See page 85 of this catalog for further information on cam recommendations for different applications.  
DISCLAIMER: NOT LEGAL FOR SALE OR USE IN CALIFORNIA ON ANY POLLUTION CONTROLLED MOTOR VEHICLE. Not legal for sale or use on any EPA pollution controlled motor vehicle.

All reference to HD® part numbers is for identification purposes only. We in no way are implying that any of S&S Cycle's products are original equipment parts or that they are equivalent to the corresponding HD® part number shown

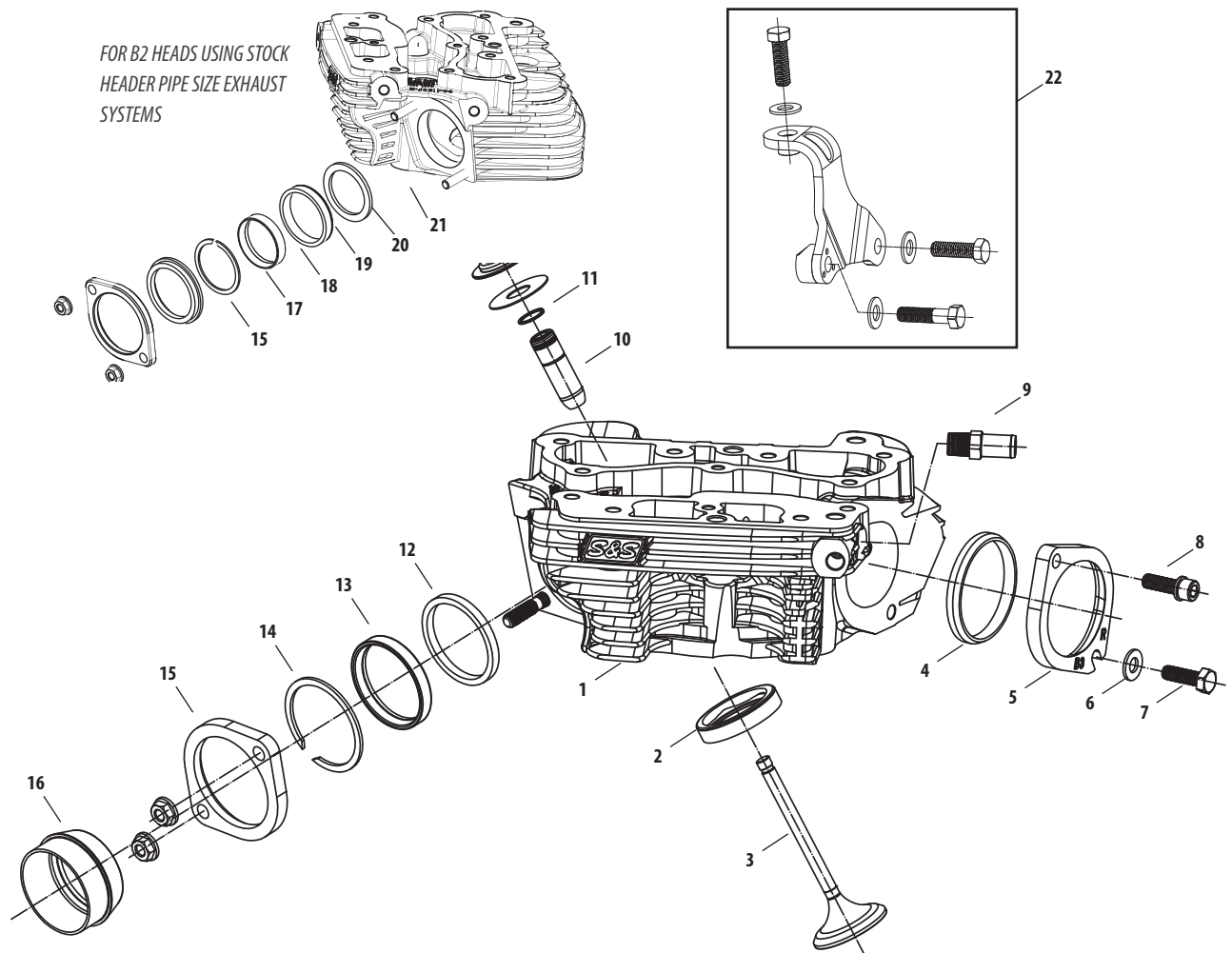
⚠ **WARNING:** Cancer and Reproductive Harm – www.P65Warnings.ca.gov



# B3 CYLINDER HEADS REPLACEMENT PARTS FOR S&S T143 ENGINES

- |   |                  |            |
|---|------------------|------------|
| 1. Cylinder Heads Set, B3<br>Black.....   | <b>900-0803</b>  | \$2,414.95 |
| Stone Gray.....   | <b>900-0806</b>  | \$2,414.95 |
| 2. Seat, Blank, B3 Heads, 2.300"<br>Intake.....                                       | <b>900-0677</b>  | \$29.95    |
| Exhaust.....  |                  |            |
| 3. Valve<br>Intake.....   | <b>900-0678</b>  | \$47.95    |
| Exhaust.....  | <b>900-0679</b>  | \$74.95    |
| 4. Seal, Manifold, B2 Heads, 2.250" x 2.520" x .290"                                  | <b>16-0246-S</b> | \$20.95    |
| 5. Flange, Set.....   | <b>160-0091</b>  | \$205.95   |
| Front.....  | <b>160-0087</b>  | \$96.95    |
| Rear.....   | <b>160-0088</b>  | \$96.95    |
| 6. Washer, Flat, .344" x .688" x .065", Zinc, Steel                                   | <b>50-7034</b>   | \$0.95     |
| 7. Bolt, Hex Head, Gr5, 5/16-18 x 1", Zinc  | <b>50-0108</b>   | \$2.95     |
| 8. Screw, SHCS, w/Flat Washer, 5/16-18 x 1", Zinc                                     | <b>50-0125-S</b> | \$2.95     |
| 9. Fitting, Pipe, Straight, 1/4-18 NPTF x 1.510" X .500", Zinc, Steel                 | <b>50-8158-S</b> | \$7.95     |
| 10. Valve Guide, Intake, Powder Metal   | <b>900-0780</b>  | \$20.95    |
| 11. Retaining Ring, External, Spiral, Heavy Duty, .525" x .035" x .050", Carbon Steel | <b>106-2164</b>  | \$2.95     |
| 12. Exhaust Gasket Backing Washer, 2.18" x 1.885" x .200"                             | <b>550-0219</b>  | \$24.95    |
| 13. Exhaust Gasket, Tapered, Stainless Steel  | <b>550-0221</b>  | \$5.95     |
| 14. Exhaust Flange Retaining Ring, 2.125" x .078"                                     | <b>50-8159-S</b> | \$5.95     |
| 15. Exhaust Flange  | <b>550-0223</b>  | \$19.95    |
| 16. Weld-On Exhaust Header Pipe   | <b>550-0222</b>  | \$31.95    |
| 17. Exhaust Adapter Flange for Stock Header Pipe                                      | <b>550-0224</b>  | \$34.95    |
| 18. Exhaust Flange Retaining Ring, 1.759" x .062"                                     | <b>550-0226</b>  | \$5.95     |
| 19. Exhaust Gasket, Tapered Stainless Steel   | <b>106-5029</b>  | \$4.95     |
| 20. Press-in Aluminum Retaining Ring, 1984-up   | <b>550-0225</b>  | \$28.95    |
| 21. Exhaust Gasket Backing Washer, 2.18" x 1.690" x .125"                             | <b>550-0220</b>  | \$24.95    |
| 22. Head Mount Bracket Kit<br>2008 T143.....  | <b>900-0797</b>  | \$52.95    |
| 2009-up T143.....   | <b>900-0798</b>  | \$52.95    |

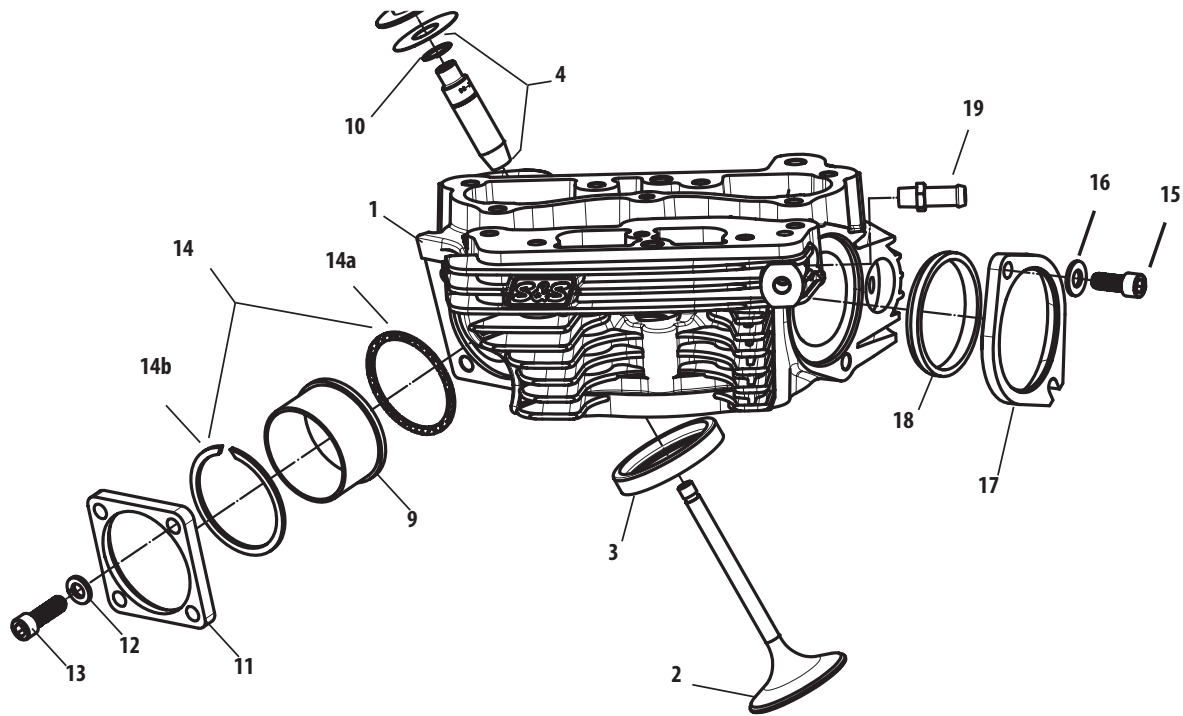
## VALVE SPRING REPLACEMENT PARTS: SEE PAGE 126



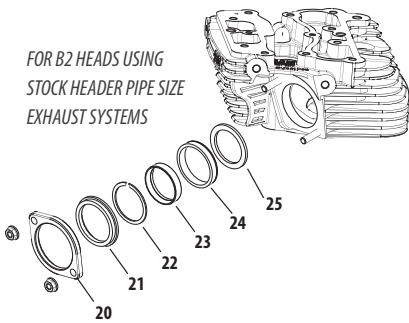
All reference to HD® Part # is for identification purposes only. We in no way are implying that any of S&S Cycle's products are original equipment parts or that they are equivalent to the corresponding HD® Part # shown.

# B2 CYLINDER HEADS REPLACEMENT PARTS

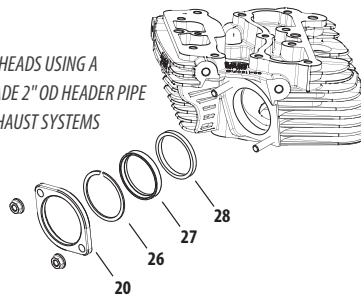
- |  |                  |          |
|--|------------------|----------|
| 1. Cylinder head — (See page 95)   |                  |          |
| 2. Valve   |                  |          |
| Intake, 2.200" Dia. ....   | <b>90-2127</b>   | \$48.95  |
| Exhaust, 1.800" Dia. ....  | <b>90-2128</b>   | \$104.95 |
| 3. Valve Seat  |                  |          |
| Exhaust, 1.800" Dia. ....  | <b>90-2126</b>   | \$33.95  |
| Intake, 2.200" Dia. ....   | <b>90-2125</b>   | \$31.95  |
| 4. Valve guide, intake/exhaust, cast   |                  |          |
| STD. ....  | <b>106-2166</b>  | \$37.95  |
| +.030" ....  | <b>106-2170</b>  | \$125.95 |
| 9. Adaptor, Exhaust Flange. ....   | <b>55-6022</b>   | \$45.95  |
| 10. Snap ring (each) ....  | <b>106-2164</b>  | \$2.95   |
| 11. Flange, exhaust, front/rear. ....  | <b>55-6021</b>   | \$57.95  |
| 12. Washer, Lock, .332" x .583" x .078" ....   | <b>50-7032</b>   | \$0.95   |
| 13. Screw, SH, 5/16" - 18 x 1" 3201WA, 2708 ....   | <b>50-0101</b>   | \$0.95   |
| 14. Gasket, Kit, Exhaust, B2 Heads, SA. ....   | <b>90-1900</b>   | \$20.95  |
| Kit includes two each:   |                  |          |
| a. Gasket, exhaust pipe (each) ....  | <b>93-1083-S</b> | \$7.95   |
| 6 pack. ....   | <b>93-1083</b>   | \$41.95  |
| b. Retaining Ring. ....  | <b>N/A</b>       |          |
| 15. Screw, SH, 5/16-18 x 3/4" 3275 each ....   | <b>50-0302-S</b> | \$0.95   |
| 16. Washer, 5/16" 6320, 70907-07, 6016, 6702) ....   | <b>50-7034</b>   | \$0.95   |
| 17. Manifold mounting flange   |                  |          |
| Front. ....  | <b>16-0247</b>   | \$62.95  |
| Rear. ....   | <b>16-0248</b>   | \$62.95  |
| 18. O-ring, manifold (each) ....   | <b>16-0246-S</b> | \$20.95  |
| 6 pack. ....   | <b>16-0246</b>   | \$104.95 |
| 19. Fitting, vent hose, 1/8"-27 pipe ....  | <b>50-8115</b>   | \$4.95   |
| 20. Exhaust Flange, 1984—up S&S® B2 Heads ....   | <b>550-0223</b>  | \$19.95  |
| 21. Exhaust Adapter Flange for Stock Header Pipe,<br>1984—up S&S® B2 Heads ....                  | <b>550-0224</b>  | \$34.95  |
| 22. Exhaust Flange Retaining Ring, 1.759" x .062". ....  | <b>550-0226</b>  | \$5.95   |
| 23. Exhaust Gasket, Tapered Stainless Steel, 1984—up bt, 1986—up xl<br>65324-838, 65324-83A .... | <b>106-5029</b>  | \$4.95   |
| 24. Press-in Aluminum Retaining Ring, 1984—up<br>S&S® B2 Heads ....                              | <b>550-0225</b>  | \$28.95  |
| 25. Exhaust Gasket Backing Washer<br>2.18" x 1.690" x .125". ....                                | <b>550-0220</b>  | \$24.95  |
| 26. Exhaust Flange Retaining Ring, 2.125" x .078". ....  | <b>50-8159-S</b> | \$5.95   |
| 27. Exhaust Gasket, Tapered, Stainless Steel,<br>1984—up S&S® B2 Heads ....                      | <b>550-0221</b>  | \$5.95   |
| 28. Exhaust Gasket Backing Washer<br>2.18" x 1.885" x .200". ....                                | <b>550-0219</b>  | \$24.95  |
| 29. Weld-On Exhaust Header Pipe ....   | <b>550-0222</b>  | \$31.95  |



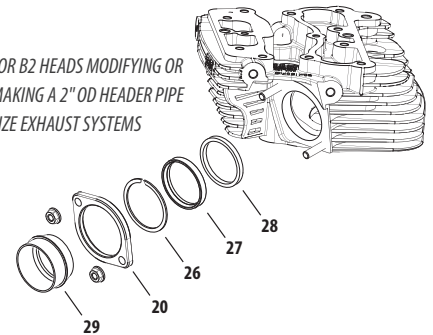
FOR B2 HEADS USING STOCK HEADER PIPE SIZE EXHAUST SYSTEMS



FOR B2 HEADS USING A PRE-MADE 2" OD HEADER PIPE SIZE EXHAUST SYSTEMS





















FOR B2 HEADS MODIFYING OR MAKING A 2" OD HEADER PIPE SIZE EXHAUST SYSTEMS



VALVE SPRING REPLACEMENT PARTS: [SEE PAGE 126](#)

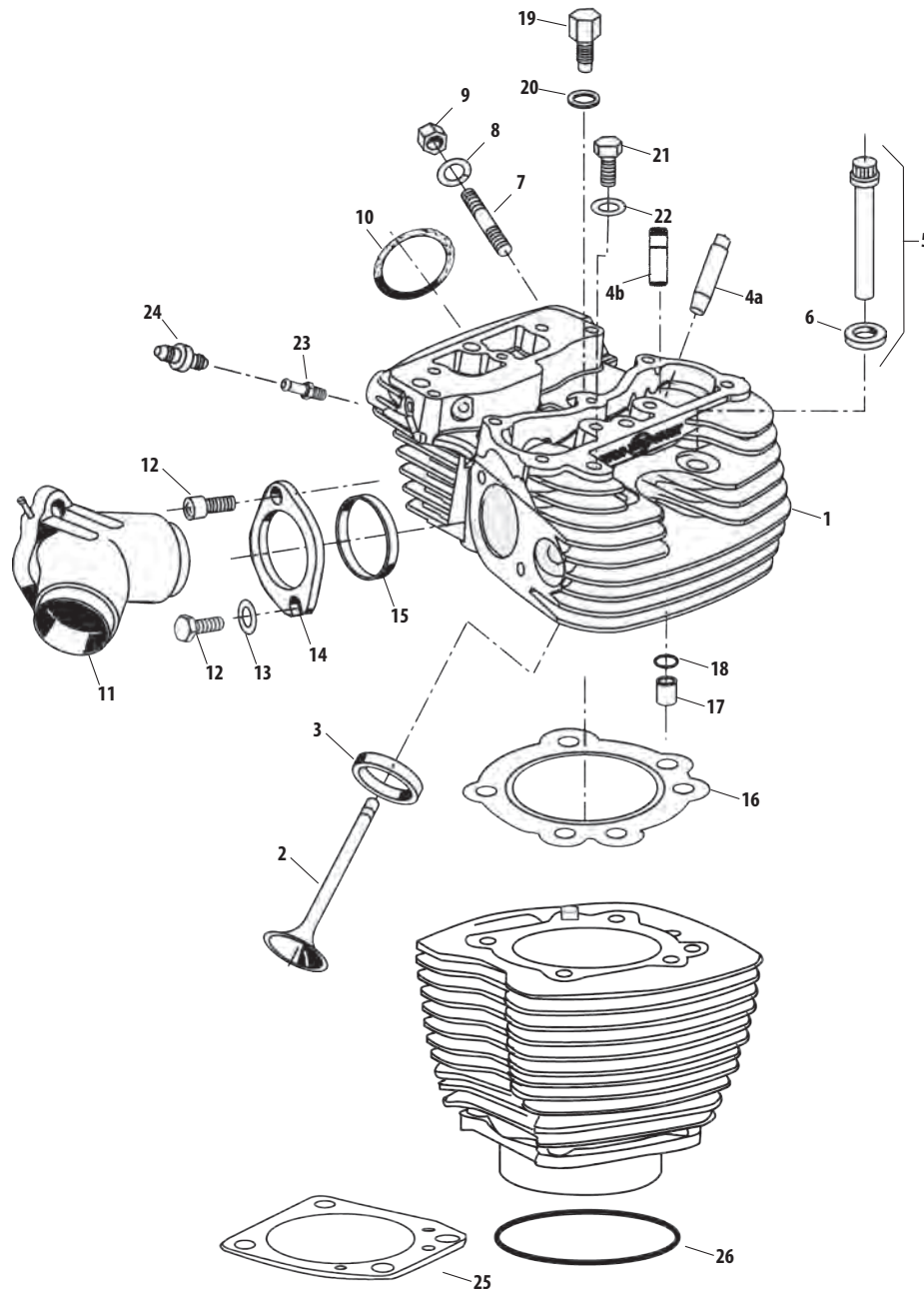
# SUPER STOCK® CYLINDER HEADS REPLACEMENT PARTS FOR 2007–2016 BIG TWIN ENGINES

1. Cylinder head (Starting page 96)
2. Valve
  - All S&S heads with 89cc or 91cc chamber
  - Intake
    - 2.000" diameter  **90-2000** \$28.95
    - 2.000" diameter + .085" stem length **90-2004** \$30.95
  - Exhaust
    - 1.605" diameter  **90-2001** \$63.95
  - All S&S heads with 79cc chamber
    - Intake — 1.940" diameter **90-2025** \$33.95
    - Exhaust — 1.575" diameter **90-2026** \$57.95
3. Valve seat
  - All S&S heads with 89cc or 91cc chamber
  - Intake - 2.000" diameter  **90-2002** \$23.95
  - Exhaust - 1.605" diameter  **90-2003** \$54.95
  - All S&S heads with 79cc chamber
    - Intake - 1.940" diameter **90-2027** \$19.95
    - Exhaust - 1.575" diameter **90-2028** \$20.95
4.
  - a. Valve guide - Intake or Exhaust Cast
    - Standard 18112-92   **90-2210** \$29.95
    - + .001" 18130-83C  **90-2211** \$62.95
    - + .002" 18133-83A, 18133-83D  **90-2212** \$83.95
    - + .003" 18131-83C  **90-2213** \$94.95
    - + .030"  **90-2219** \$52.95
  - b. Valve Guide - Intake or Exhaust Powder Metal (PM)
    - Standard **900-0553** \$33.95
    - + .001 **900-0554** \$33.95
    - + .002 **900-0555** \$33.95
    - + .003 **900-0556** \$33.95
5. Head bolt assembly — (8 Required) (Includes head bolt washer)
  - each **93-3037** \$15.95
  - 4 pack **93-3037-4** \$52.95
6. Head bolt washer, .250" (each) **50-7091** \$2.95
7. Exhaust port stud 16715-83 (each)  **50-0493** \$2.95
  - 5 pack  **50-1028** \$13.95
8. Lock washer - 5/16" **50-7032** \$0.95
9. Nut, flanged - 5/16" - 24 7593
  - Zinc (each) **50-5025-S** \$0.95
  - 2 pack **50-5025-2** \$2.95
  - 5 pack **50-1001** \$4.95
  - Chrome (each) **50-5030-S<sup>±</sup>** \$2.95
10. Exhaust pipe gasket, tapered 65324-83B, 65324-83A
  - each **106-5029** \$4.95
  - 10 pack **93-1072** \$47.95
11. Intake manifold (see page 102)
12. Manifold mounting screw
  - SH - 5/16" - 18 x 3/4" 3275 (each) **50-0302-S** \$0.95
  - SH - 5/16" - 18 x 1" 3201WA, 2708 **50-0101** \$0.95
  - HH - 5/16" - 18 x 1" 3987 (each)  **50-0108** \$2.95
13. Flat washer - 5/16" 6320, 70907-07, 6016, 6702. **50-7034** \$0.95
14. Manifold mounting flange
  - Front 27009-86A (each)  **16-0232** \$41.95
  - 5 pack  **16-0600** \$199.95
  - Rear 27010-86A (each)  **16-0233** \$41.95
- 5 pack  **16-0601** \$199.95
- Set (Front & Rear) **106-3516** \$62.95
15. Manifold o-ring
  - For S&S manifold (each) **16-0235** \$6.95
  - 10 pack **16-0243** \$48.95
  - For Stock manifold 26995-86B, 26995-86A, 26992-99
    - each  **16-0236** \$5.95
    - 10 pack **16-0244** \$42.95
16. Head gasket
  - For Stock Bolt Pattern
    - 3 3/4" x .043" Graphite (each) **93-1045-S** \$35.95
    - 3 7/8" / 3.927" x .030" Layered Steel (2 pack) **900-0605** \$62.95
    - 3 7/8" / 3.927" x .045" Layered Steel (each) **900-0606** \$31.95
    - 4" x .043" Graphite (each) **93-1043-S** \$13.95
    - 10 pack **93-1058** \$115.95
    - 4 1/8" x .043" Layered Steel (each) **93-1091-S** \$31.95
    - 10 pack **93-1920** \$314.95
    - 4 1/8" x .030" Layered Steel (2 pack) **900-0217** \$73.95
  - For S&S Bores
    - 4 1/8" x .043" Graphite (each) **93-1047-S** \$12.95
    - 10 pack **93-1073** \$125.95
    - 4 3/8" x .045" Copper (2 pack) **93-1081** \$104.95
17. Alignment dowel, base and head 16595-99A (each) **50-8177** \$3.95
  - 4 pack **50-8177-4** \$10.95
18. Alignment dowel o-ring — Base (all bore sizes)
  - S&S heads 3 3/4" bore only 11105, 11273
    - each **50-8008** \$2.95
    - 10 pack **50-8078** \$9.95
19. Plug, HH - 14mm (each) **90-4916** \$16.95
  - 2 pack **90-4916-2** \$26.95
20. Washer, compression - 14mm
  - 507" x .705" x .047" (each) **50-7094** \$10.95
21. Head mount bolt - 3/8" - 16 x 1 1/4" 4716W
  - each **50-0168** \$2.95
22. Flat washer - 3/8" (each) **50-7051** \$2.95
23. Vent hose fitting, (For 4 1/8" Bore Only)
  - Front, 1/16" - 27 pipe **50-8117** \$10.95
  - Rear, 1/8" - 27 pipe **50-8115** \$4.95
24. Check Valve (For 4 1/8" Bore Only) **50-8122** \$11.95
25. Base Gaskets
  - For S&S Bores
    - 4 3/8" x .018" Graphite (2 pack) **93-1082** \$13.95
    - 4 1/8" x .018" Graphite (each) **93-1048-S** \$6.95
    - 10 pack **93-1074** \$53.95
    - 4" x .018" Graphite (each) **93-1050-S** \$5.95
  - For Stock Bolt Pattern
    - 4 1/8" x .018" Graphite (each) **93-1092-S** \$9.95
    - 10 pack **93-1921** \$78.95
26. Base O-ring (Used for early S&S bores)
  - 4" x .103" (each) **50-8049** \$7.95
  - 3 5/8" or 3 1/2" x .103" (each) 11256 **50-8048** \$5.95

<sup>±</sup>  WARNING: Cancer and Reproductive Harm — www.P65Warnings.ca.gov

**VALVE SPRING REPLACEMENT PARTS:  
SEE PAGE 126**

All reference to HD® part numbers is for identification purposes only. We in no way are implying that any of S&S Cycle's products are original equipment parts or that they are equivalent to the corresponding HD® part number shown.



### TOP END GASKET KIT FOR S&S ENGINES

Bore	Part #	MSRP
4 $\frac{3}{8}$ "	<b>90-9511</b>	\$136.95
4 $\frac{1}{8}$ " Stock Cases	<b>90-9510</b>	\$136.95
4" Stock Bolt Pattern	<b>90-9505</b>	\$83.95
3 $\frac{7}{8}$ " Stock Bolt Pattern	<b>90-9504</b>	\$104.95



Kits include all gaskets and seals required to rebuild the top end of an S&S engine with S&S cylinders and cylinder heads. Rocker cover gaskets are not included in kits. See "Rocker cover gasket kits" on page 109 to order separately.

### VALVE GUIDE DIAMETERS FOR S&S® T-SERIES ENGINES

Oversize	Diameter	Part Number	MSRP
Std.	.5625/.5620	<b>90-2210</b> USA <sup>1,2,3</sup>	\$29.95
+ .001	.5635/.5630	<b>90-2211</b> USA	\$62.95
+ .002	.5645/.5640	<b>90-2212</b> USA	\$83.95
+ .003	.5655/.5650	<b>90-2213</b> USA	\$94.95
+ .030	.5925/.5920	<b>90-2219</b> USA	\$52.95

# VALVE SPRING REPLACEMENT PARTS

## .720" & .660" Lift Valve Springs (B3 Cylinder Heads)

1. Seal, valve guide, intake/exhaust 18001-83B (each) . . .  **90-2008** \$3.95  
8 pack . . . . .  **90-2158** \$17.95
2. Keeper, valve spring, SA . . . . . **90-2153A** \$5.95
3. Valve spring shim  
.015" (each) . . . . . **90-2086** \$2.95  
5 pack . . . . . **50-7161** \$5.95  
.030" (each) . . . . . **90-2087** \$2.95  
5 pack . . . . . **90-2198** \$7.95

## .650" Lift Valve Springs (B2 Cylinder Heads)

1. Seal, Valve Guide, fits .315" x .554" OD, Viton® (4 pack) . . . . . **900-0737** \$9.95
2. Keeper, valve spring, Standard, 9° Degree . . . . . **90-2094-S** \$3.95

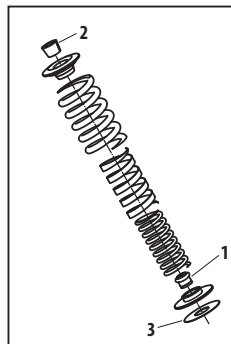
## .650" Lift Sidewinder® Valve Springs (Stock, Super Stock® & CNC Ported Cylinder Heads)

1. Spring, Valve .650" . . . . . **106-5689** \$52.95
2. Collar, Top, Steel . . . . . **106-5690** \$13.95
3. Collar, Bottom, Steel . . . . . **106-5691** \$9.95
4. Seal, Valve  
S&S CNC Ported Heads & 2005-up bt w/7mm valve stem **106-5688** \$3.95  
S&S Super Stock Heads  
.420" Cast (each) . . . . . **900-0338** \$2.95  
.562" Powder Metal (4 pack) . . . . . **900-0737** \$9.95
5. Keeper, valve spring . . . . . **106-5692** \$5.95
6. Valve Spring Shim  
.015" (each) . . . . . **500-0013** \$2.95  
.030" (each) . . . . . **500-0014** \$2.95

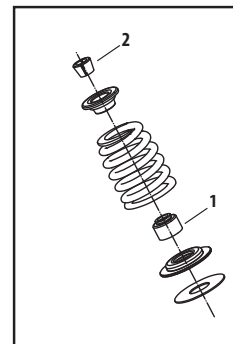
## .585" Lift Valve Springs (Stock, Super Stock® & CNC Ported Cylinder Heads)

1. Spring, Valve .585" . . . . . **900-0444** \$28.95
2. Collar, Top . . . . . **900-0550** \$9.95
3. Collar, Bottom  
For Stock Heads w/7mm valve stem (includes seal) . . . . . **900-0590** \$7.95  
For CNC Ported Heads w/7mm valve stem . . . . . **900-0549** \$9.95  
For Super Stock Heads . . . . . **900-0600** \$7.95
4. Seal, valve guide  
For Stock Heads w/7mm valve stem  
(includes bottom collar) . . . . . **900-0590** \$7.95  
For CNC Ported Heads w/7mm valve stem . . . . . **106-5688** \$3.95  
For Super Stock Heads  
.420" Cast (each) . . . . . **900-0338** \$2.95  
.562" Powder Metal (4 pack) . . . . . **900-0737** \$9.95
5. Keeper, valve spring  
For Stock and CNC Ported Heads . . . . . **106-5692** \$5.95  
For Super Stock Heads . . . . . **90-2094-S** \$3.95
6. Valve spring shim  
For Stock and CNC Ported Heads  
.015" . . . . . **500-0013** \$2.95  
.030" . . . . . **500-0014** \$2.95  
For Super Stock Heads  
015" . . . . . **90-2086** \$2.95  
.030" . . . . . **90-2087** \$2.95

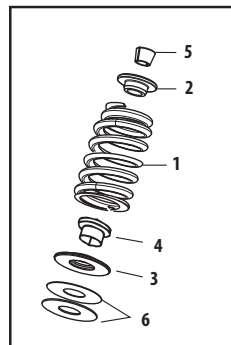
## .720" & .660" Lift Valve Springs



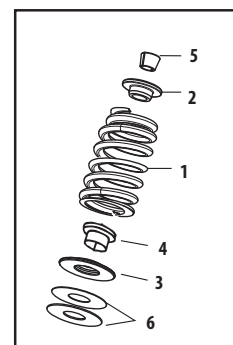
## .650" Lift Valve Springs



## .650" Lift Sidewinder® Valve Springs

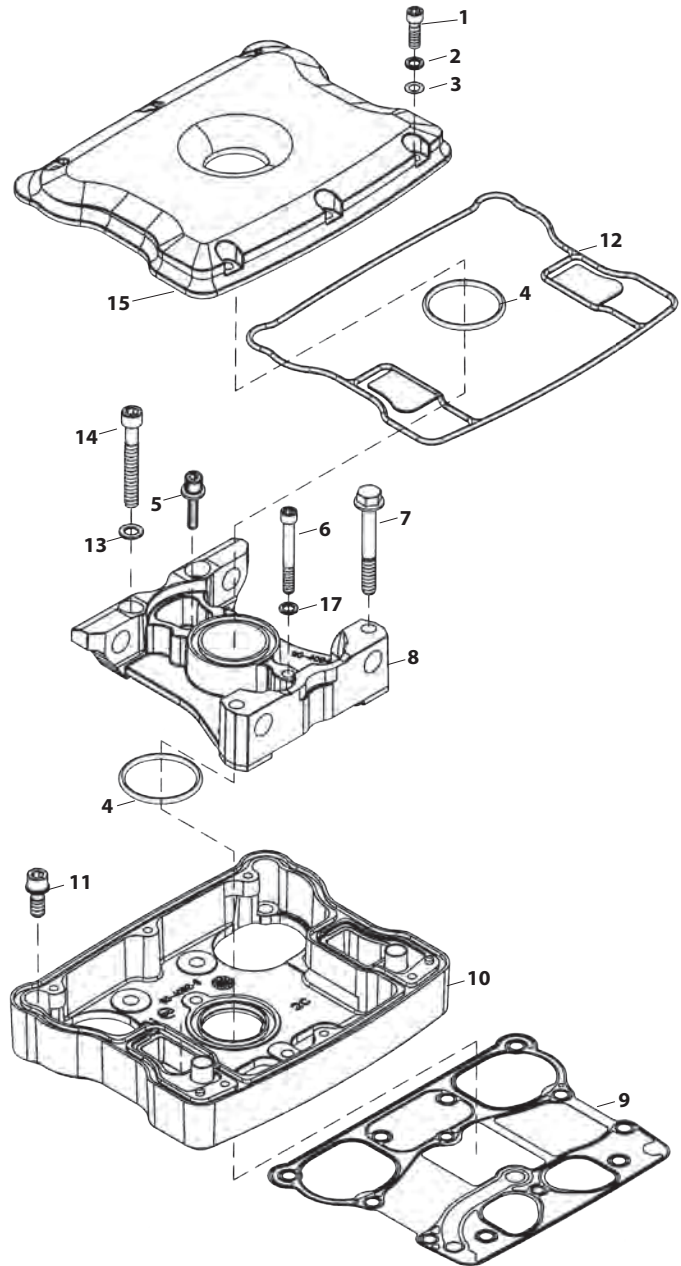


## .585" Lift Valve Springs



# DIE-CAST ROCKER COVER REPLACEMENT PARTS FOR 2007-2015 BIG TWIN ENGINES

1. Screw, socket head ¼"-20 x ¾" 4069A (each) ..... **50-0067** \$2.95
2. Washer, flat ¼" (each) ..... **50-7017** \$2.95  
12 pack ..... **50-7013** \$7.95
3. Washer, silicone coated ¼" (each) ..... **50-7015** \$2.95  
8 pack ..... **50-7015-8** \$7.95  
12 pack ..... **50-7015-12** \$10.95
4. Seal, o-ring  
(Included in gasket kit see #16 below.)
5. Screw, socket head, ¼"-20 x 1" 4741A  
each ..... **50-0092-S** \$2.95  
4 pack ..... **50-0092P** \$5.95
6. Screw, socket head, ¼"-20 x 2" 25794-36 ..... **50-0013** \$2.95
7. Screw, hex flange head, ⅝"-18 x 2½" 3501 ..... **50-0123** \$2.95
8. Support, rocker arm ..... **90-4140** \$62.95
9. Gasket, rocker cover, Graphite  
For Stock or S&S rocker covers on stock heads 16719-998  
each ..... **90-4071-S** \$7.95  
2 pack ..... **90-4071** \$14.95  
10 pack ..... **90-4099** \$73.95  
For Stock rocker covers on S&S heads (each) ..... **90-4124** \$15.95  
2 pack ..... **90-4120** \$31.95
10. Housing, rocker, Chrome ..... **USA 900-4283±** \$262.95
11. Screw, socket head, ⅝"-18 x 1" ..... **50-0125-S** \$2.95
12. Seal, rocker cover  
(Included in gasket kit see #16 below.)
13. Washer, flat ⅝" (each) ..... **50-7026** \$2.95
14. Screw, socket head ⅝"-18 x 2¼"  
each ..... **50-0115-S** \$2.95
15. Cover, rocker, chrome ..... **USA 900-0706±** \$167.95
16. Gasket set - rocker cover, cast (Not Shown) ..... **90-4111** \$57.95
17. Washer, .261" x .474" x .050", Annealed, Stainless Steel  
each ..... **50-7020** \$2.95



All reference to HD® part numbers is for identification purposes only. We in no way are implying that any of S&S Cycle's products are original equipment parts or that they are equivalent to the corresponding HD® part number shown.

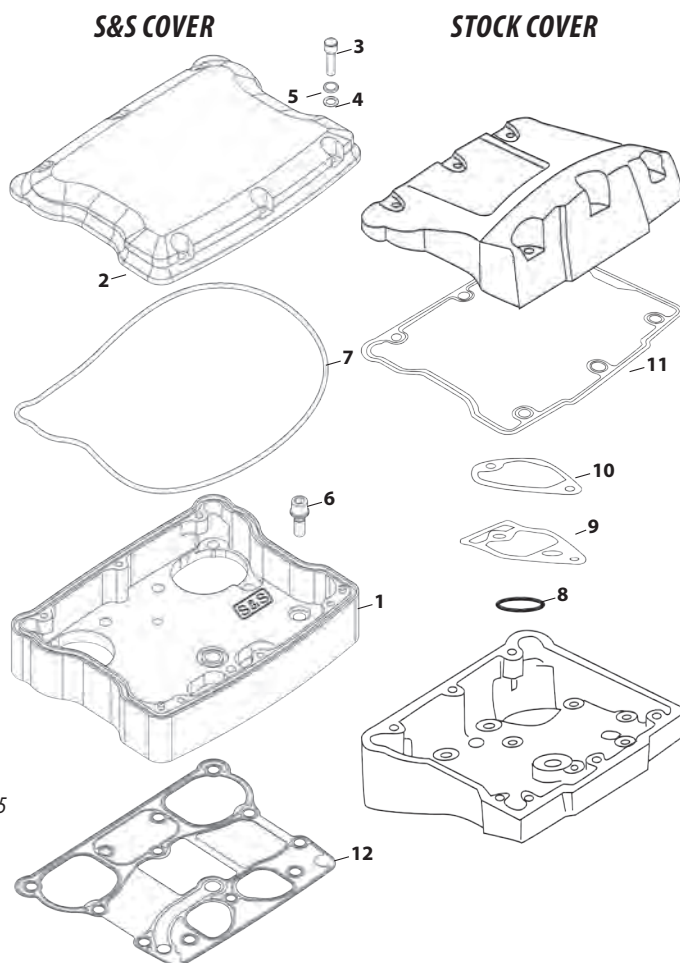
± WARNING: Cancer and Reproductive Harm – www.P65Warnings.ca.gov

# BILLET ROCKER COVER REPLACEMENT PARTS

FOR 1999-2017 BIG TWIN ENGINES (DISCONTINUED) EXCEPT 2017 TOURING MODELS

- |  |            |          |
|--|------------|----------|
| 1. Base assembly, rocker .....   | N/A        |          |
| 2. Top, rocker cover .....   | N/A        |          |
| 3. SHCS, 1/4"-20 x 3/4" 4069A (each) .....   | 50-0067    | \$2.95   |
| 4. Washer, flat, chrome, 260" x .425" x .060"  |            |          |
| each .....   | 50-7017±   | \$2.95   |
| 12 pack .....  | 50-7013±   | \$7.95   |
| 5. Washer, flat, rubber coated, 1/4" x 7/16" x .020"   |            |          |
| each .....   | 50-7015    | \$2.95   |
| 8 pack .....   | 50-7015-8  | \$7.95   |
| 12 pack .....  | 50-7015-12 | \$10.95  |
| 6. SHCS, 5/16"-18 x 1" with flatwasher .....   | 50-0125-5  | \$2.95   |
| 7. O-ring, rocker cover seal, Viton®<br>(Included in gasket kit #90-4073. See below)                     |            |          |
| 8. O-ring, (-114), .625" ID x .937" OD 11270 .....   | 50-8033    | \$2.95   |
| 9. Gasket, Breather Baffle, Stock Pattern, Paper, 1999-'10 bt<br>17162-03, 17592-99 each .....           | 90-4078    | \$2.95   |
| 10. Gasket, Breather Cover, Stock Pattern, Paper, 1999-'10 bt<br>17591-99, 17162-03, 17592-99 each ..... | 90-4077    | \$2.95   |
| 11. Gasket, Rocker Cover, Steel, 1999-up bt 17386-99A .....  | 90-4096-5  | \$12.95  |
| 12. Gasket, bottom rocker cover  |            |          |
| 2 pack .....   | 90-4071    | \$14.95  |
| 10 pack .....  | 90-4099    | \$73.95  |
| 13. Gasket kit, rocker cover (includes gaskets for 2 rocker covers) (Not Shown)                          |            |          |
| For S&S billet rocker covers<br>(includes #5,7,8,9,10,12) .....  | 90-4073    | \$50.95  |
| For 1999-'10 bt<br>(includes #8,9,10,11,12) .....  | 90-4097    | \$104.95 |

**N/A = No longer available**

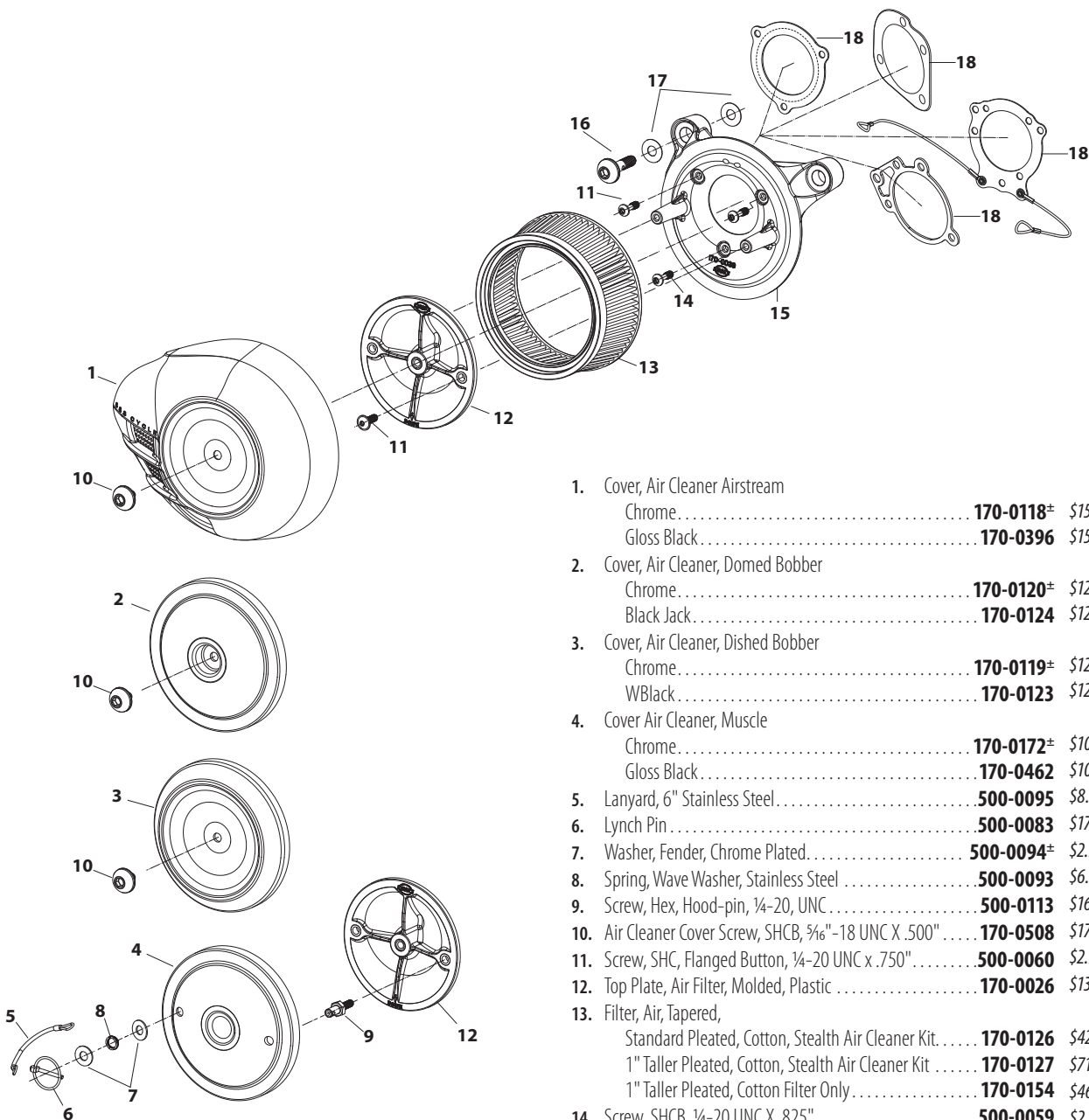


All reference to HD® part numbers is for identification purposes only. We in no way are implying that any of S&S Cycle's products are original equipment parts or that they are equivalent to the corresponding HD® part number shown.

⚠ WARNING: Cancer and Reproductive Harm — www.P65Warnings.ca.gov



# STEALTH REPLACEMENT PARTS



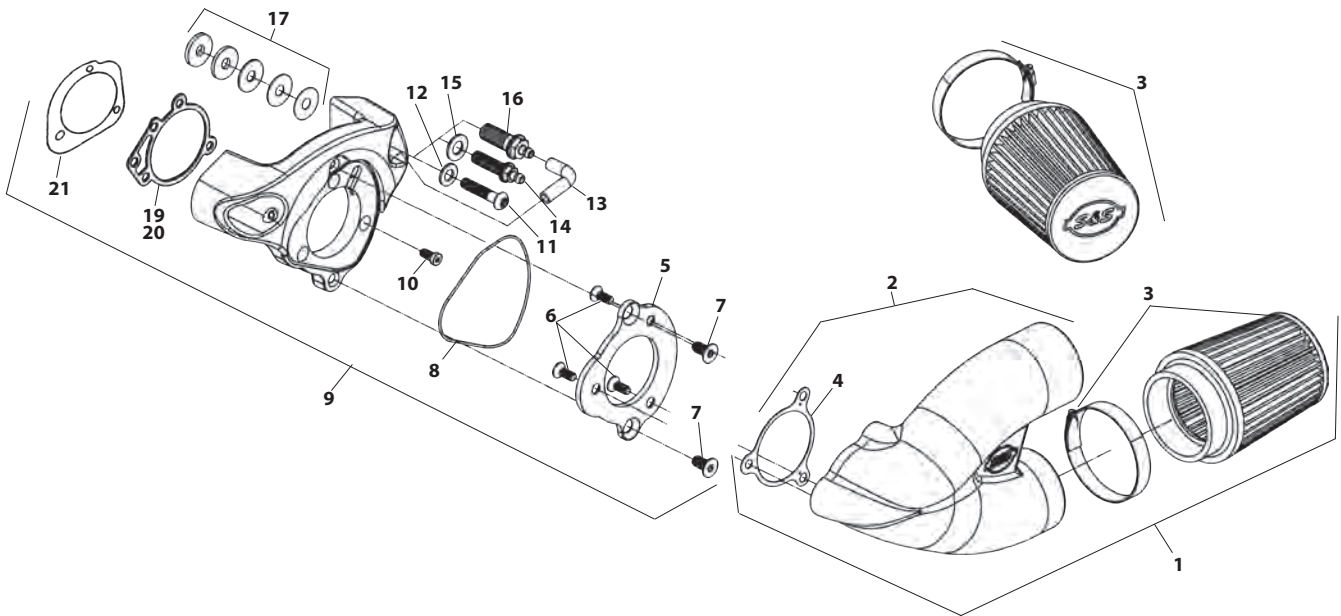
- |   |                   |          |
|---|-------------------|----------|
| 1. Cover, Air Cleaner Airstream   |                   |          |
| Chrome.....   | <b>170-0118</b> ± | \$157.95 |
| Gloss Black.....  | <b>170-0396</b>   | \$157.95 |
| 2. Cover, Air Cleaner, Domed Bobber   |                   |          |
| Chrome.....   | <b>170-0120</b> ± | \$125.95 |
| Black Jack.....   | <b>170-0124</b>   | \$125.95 |
| 3. Cover, Air Cleaner, Dished Bobber  |                   |          |
| Chrome.....   | <b>170-0119</b> ± | \$125.95 |
| WBlack.....   | <b>170-0123</b>   | \$125.95 |
| 4. Cover Air Cleaner, Muscle  |                   |          |
| Chrome.....   | <b>170-0172</b> ± | \$104.95 |
| Gloss Black.....  | <b>170-0462</b>   | \$104.95 |
| 5. Lanyard, 6" Stainless Steel.....   | <b>500-0095</b>   | \$8.95   |
| 6. Lynch Pin.....   | <b>500-0083</b>   | \$17.95  |
| 7. Washer, Fender, Chrome Plated.....   | <b>500-0094</b> ± | \$2.95   |
| 8. Spring, Wave Washer, Stainless Steel.....  | <b>500-0093</b>   | \$6.95   |
| 9. Screw, Hex, Hood-pin, ¼-20, UNC.....   | <b>500-0113</b>   | \$16.95  |
| 10. Air Cleaner Cover Screw, SHCB, ¾"-18 UNC X .500".....                                 | <b>170-0508</b>   | \$17.95  |
| 11. Screw, SHC, Flanged Button, ¼-20 UNC x .750".....                                     | <b>500-0060</b>   | \$2.95   |
| 12. Top Plate, Air Filter, Molded, Plastic.....   | <b>170-0026</b>   | \$13.95  |
| 13. Filter, Air, Tapered,   |                   |          |
| Standard Pleated, Cotton, Stealth Air Cleaner Kit.....                                    | <b>170-0126</b>   | \$42.95  |
| 1" Taller Pleated, Cotton, Stealth Air Cleaner Kit.....                                   | <b>170-0127</b>   | \$71.95  |
| 1" Taller Pleated, Cotton Filter Only.....  | <b>170-0154</b>   | \$46.95  |
| 14. Screw, SHCB, ¼-20 UNC X .825".....  | <b>500-0059</b>   | \$2.95   |
| 15. Backplate   |                   |          |
| 1993-up Stock CV Carb; 2001-up Delphi® EFI<br>(except Throttle by Wire).....              | <b>170-0021</b>   | \$48.95  |
| 2008-up bt, Delphi® EFI w/Throttle by Wire.....   | <b>170-0065</b>   | \$66.95  |
| 16. Screw, Backplate Vent, SHCB, ¾-16 x 1½", Polished Stainless                           |                   |          |
| .....   | <b>170-0045</b>   | \$24.95  |
| 17. Washer, Flat, Nitrile Rubber Coated, .380" x .880" x .024"                            |                   |          |
| each.....   | <b>50-7054</b>    | \$2.95   |
| 10 pack.....  | <b>50-7059</b>    | \$12.95  |
| 18. Gasket, Backplate   |                   |          |
| Stock CV Carb & EFI Throttle Body, 1991-up bt<br>(except Throttle by Wire) 29062-958..... | <b>106-6022</b>   | \$3.95   |
| 2008-up bt, Throttle by Wire.....   | <b>160-0035</b>   | \$3.95   |
| Super E/G, CV Adapter.....  | <b>106-1724</b>   | \$3.95   |
| w/lanyards for use with Muscle Cover.....   | <b>170-0137</b>   | \$24.95  |

± WARNING: Cancer and Reproductive Harm – www.P65Warnings.ca.gov

# SINGLE BORE TUNED INDUCTION SYSTEM REPLACEMENT PARTS

FOR S&S T-SERIES ENGINES AND 2007–'16 BIG TWINS, EXCEPT 2008–'16 TOURING MODELS

- |  |   |
|--|---|
| 1. Tuned Intake Kit, 2.19" Single Bore with Red Filters<br>Gloss Black ..... <b>170-0454</b> \$311.95<br>Chrome Plated ..... <b>106-4967</b> ± \$314.95  | 15. Washer, Flat, 3/8" x 13/16" x 1/16", Chrome ..... <b>50-7106-5</b> ± \$3.95   |
| 2. Tuned Intake Assembly, 2.19" Single Bore<br>Natural ..... <b>106-4968</b> \$188.95<br>Gloss Black ..... <b>170-0453</b> \$187.95<br>Chrome Plated ..... <b>106-4970</b> ± \$188.95  | 16. Screw, Breather Fitting, 1/2 -13 x 1.25 ..... <b>50-0435</b> \$11.95  |
| 3. Air Filter, w/clamp, Stainless Cap – Conical – 2 1/4" I.D. x 4"<br>Red (each) ..... <b>17-1020</b> \$57.95<br>Blue (each) ..... <b>17-1023</b> \$57.95  | 17. Shim Kit<br>(a) 5/16" I.D. S&S 4 1/8" engines ..... <b>17-0314</b> \$10.95<br>Includes:<br>.325" x 1" x .018", Stainless Steel (each) ..... <b>50-7038</b> \$2.95<br>.325" x 1" x .030", Stainless Steel (each) ..... <b>50-7039</b> \$2.95<br>.325" x 1" x .048", Stainless Steel (each) ..... <b>50-7040</b> \$2.95<br>.325" x 1" x .105", Stainless Steel (each) ..... <b>50-7041</b> \$2.95<br>.325" x 1" x .125", Stainless Steel (each) ..... <b>50-7042</b> \$2.95 |
| 4. Gasket, Intake – Adapter Plate ..... <b>17-1022</b> \$5.95  | (b) 1/2" I.D. 1993-up BT ..... <b>17-0464</b> \$17.95<br>Includes:<br>.515" x 1" x .018", Stainless Steel (each) ..... <b>50-7085</b> \$2.95<br>.515" x 1" x .030", Stainless Steel (each) ..... <b>50-7086</b> \$2.95<br>.515" x 1" x .048", Stainless Steel (each) ..... <b>50-7087</b> \$2.95<br>.515" x 1" x .105", Stainless Steel (each) ..... <b>50-7089</b> \$2.95<br>.515" x 1" x .125", Stainless Steel (each) ..... <b>50-7090</b> \$4.95                          |
| 5. Plate, Adapter, 2.19" Single Bore Tuned Intake<br>Chrome Steel ..... <b>17-1014</b> ± \$77.95   | 19. Gasket, Backplate – E/G/SBEFI (each) ..... <b>106-1724</b> \$3.95<br>10 pack ..... <b>106-2328</b> \$26.95  |
| 6. FHSC 1/4-20 x 5/8" (each) ..... <b>50-0433</b> \$3.95   | 20. Gasket, Backplate, S&S SBEFI 58mm ..... <b>106-4662</b> \$5.95  |
| 7. FHSC 5/16-18 x 5/8" (each) ..... <b>50-0432</b> \$5.95  | 21. Gasket, Backplate, Stock carb/Throttle Body 29062-95B ..... <b>106-6022</b> \$3.95  |
| 8. O-Ring, Adapter Plate Bracket 3 5/8" O.D. x 3 1/2" I.D. 1/16 CS, Viton<br>each ..... <b>50-0446</b> \$3.95  | 22. Hardware Kit<br>2007-'12 bt, except 2008-'12 Touring<br>(includes #7, 8, 10, 11, 12, 13, 14, 15, 16, 17a, 17b, 19, 21) ..... <b>17-5098</b> \$136.95<br>S&S 4 1/8" Bore Heads (includes #7, 8, 10, 11, 12, 13, 17a, 19) .. <b>500-0016</b> \$63.95  |
| 9. Bracket Kit, 2.19" Single Bore Tuned Intake, Chrome<br>Single VFI, S&S T124 ..... <b>106-4976</b> ± \$419.95<br>Single VFI, 1984-up BT ..... <b>106-4977</b> ± \$419.95<br>Stock Carb, Delphi® EFI, 1984-up BT ..... <b>106-4978</b> ± \$419.95 | 23. Oil, Air Filter, 8 oz. (Not shown)<br>Red ..... <b>106-1163</b> \$30.95<br>Blue ..... <b>106-1164</b> \$30.95   |
| 10. Backplate Screw, SHC, w/Threadlock, 1/4-20 x 1/2" (each) ..... <b>106-2084</b> \$2.95<br>10 pack ..... <b>106-2105</b> \$7.95  |   |
| 11. Screw, 5/16 -18 x 1 1/4, BHC, Chrome (each) ..... <b>50-0309-5</b> ± \$5.95  |   |
| 12. Flat Washer 5/16" x 1/16" 6320, 70907-07, 6016, 6702 ..... <b>50-7034</b> \$0.95   |   |
| 13. Hose, Breather, 1/4" I.D., 90° ..... <b>19-0178A</b> \$3.95  |   |
| 14. Screw, Breather Fitting, 3/8 -16 x 1 1/4" ..... <b>50-0436</b> \$14.95   |   |



## ACCESSORIES

Description	Part #	MSRP
Nylon Air Filter Cover	each	<b>106-0247</b> \$48.95
	2 pack	<b>106-0248</b> \$96.95

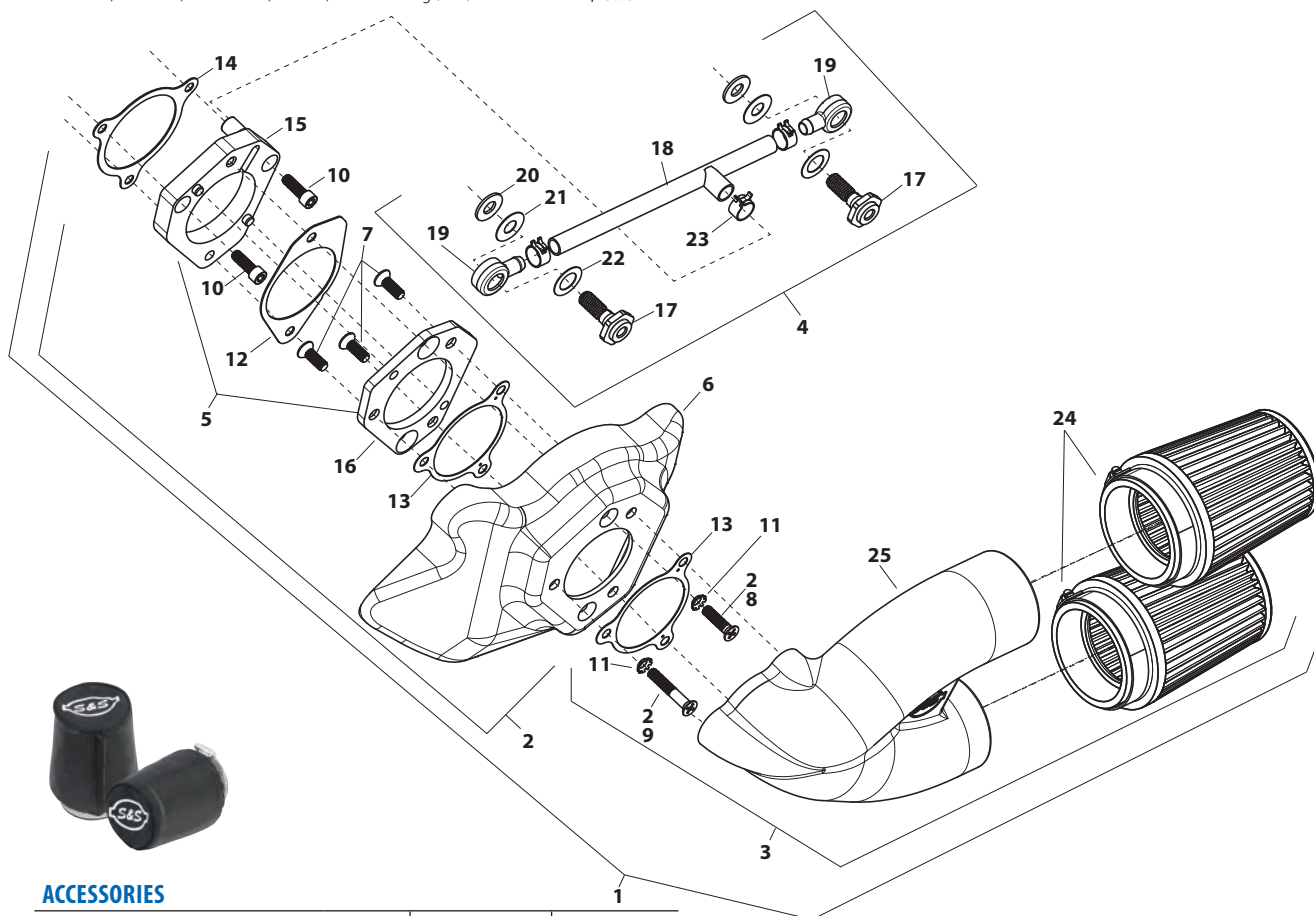


± ⚠️ WARNING: Cancer and Reproductive Harm – www.P65Warnings.ca.gov

# THROTTLE BY WIRE SINGLE BORE TUNED INDUCTION REPLACEMENT PARTS FOR 2008-2016 TOURING MODELS

1. Intake Runner, Kit, Single Bore, 2.19", 2008-Up Touring (See page 62)
2. Installation Kit, Throttle by Wire, 2008-up bt. **106-4851** \$241.95
3. Intake Runner, Single Bore, w/Gasket & Air Filter, 2.19"
  - Gloss Black.....**170-0454** \$311.95
  - Chrome Plated.....**106-4967**± \$314.95
4. Breather, Kit, Throttle by Wire, 2008-up bt. **106-4827** \$39.95
5. Mount, Kit, Spacer/Adapter, Throttle by Wire, 2008-up bt. **106-4824** \$165.95
6. Cover, Induction Module, Throttle by Wire, Plastic, 2008-up **106-3612** \$24.95
7. Screw, FHSC, ¼-20 x ¾", Zinc Plated.....**50-0491** \$2.95
8. Screw, FHSC, ¼-20 x 1", Black Chrome.....**106-4828**± \$5.95
9. Screw, FHSC, ¼-20 x 1½", Black Chrome.....**106-4829**± \$5.95
10. Screw, SHC, ¼-20 x ¾", Chrome, ASTM A574-92A 4069A **50-0067**± \$2.95
11. Washer, countersunk, external tooth, ¼" x ½", parkerized steel
  - .....**106-4980** \$2.95
12. Gasket, Intake Adapter, Throttle by Wire, 2008-up bt. **106-4428** \$4.95
13. Gasket, Intake Adapter, .020", 2.19", Gray, Paper.....**17-1022** \$5.95
14. Gasket, Throttle Body, Throttle by Wire, 2008-up bt 29645-08
  - each.....**106-2643** \$8.95
  - Gasket, S&S Throttle Hog, 58mm.....**160-0050** \$3.95
  - Gasket, S&S Throttle Hog, 66mm & 70mm.....**160-0035** \$3.95
15. Spacer, Plate, Throttle By Wire, Intake Runner, 2008-up bt **106-4826** \$107.95
16. Adapter, Plate, Throttle by Wire, Intake Runner.....**106-3607** \$52.95
17. Screw, Breather, ¾-16 UNC, +.250, 2008 Touring (each) .. **106-2667** \$13.95

18. Hose, Vent, Breather.....**USA** 1,2 **17-0339** \$7.95
19. Fitting, Vent, Aluminum Alloy (each).....**17-0350** \$4.95
- 2 pack.....**17-0355** \$7.95
20. Washer, Flat, .375" x .813" x .063", Zinc, Steel
  - each.....**50-7051** \$2.95
21. Washer, Flat, .380" x .880" x .024", Nitrile Rubber Coated, Cold Rolled Steel
  - each.....**50-7054** \$2.95
  - 10 pack.....**50-7059** \$12.95
22. Washer, Flat, .520" x .880" x .024", Nitrile Rubber Coated, Cold Rolled Steel
  - each.....**50-7055** \$2.95
  - 10 pack.....**50-7057** \$12.95
23. Clamp, Spring, 9/16".....**50-8001** \$0.95
24. Air Filter, with Clamp, Stainless Cap, Conical, 2¼" I.D. x 4"
  - Red (each).....**17-1020** \$57.95
  - Blue (each).....**17-1023** \$57.95
25. Intake Runner, Single Bore, 2.19" + Gasket
  - Natural.....**106-4968** \$188.95
  - Gloss Black.....**170-0453** \$187.95
  - Chrome Plated.....**106-4970**± \$188.95
26. Oil, Air Filter, 8 oz. (Not shown)
  - Red.....**106-1163** \$30.95
  - Blue.....**106-1164** \$30.95



## ACCESSORIES

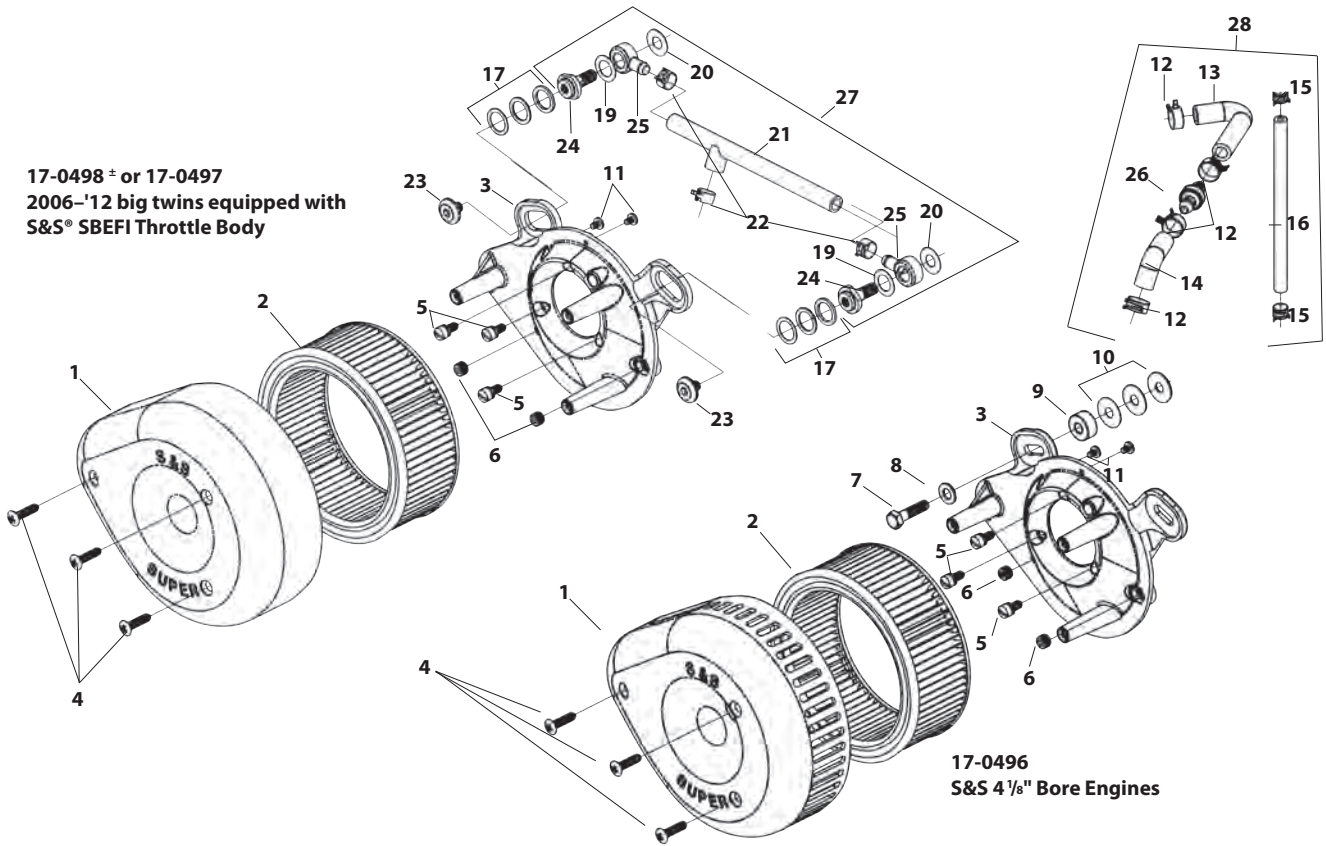
Description		Part #	MSRP
Nylon Air Filter Cover	each	<b>106-0247</b>	\$48.95
	2 pack	<b>106-0248</b>	\$96.95

⚠ WARNING: Cancer and Reproductive Harm – www.P65Warnings.ca.gov

# CLASSIC TEARDROP AIR CLEANER REPLACEMENT PARTS FOR S&S® SINGLE BORE EFI

<b>1.</b> Air Cleaner Cover			
Slasher (slotted chrome)	<b>17-0004</b> ±	\$158.95	
Chrome	<b>17-0378</b> ±	\$158.95	
Gloss Black (includes black screws)	<b>170-0384A</b>	\$158.95	
<b>2.</b> Element, pleated	<b>106-4722</b>	\$23.95	
<b>3.</b> Backplate SBEFI			
2006-16 bt	<b>17-0120</b>	\$80.95	
S&S 4 1/8" bore engines	<b>17-0380</b>	\$104.95	
<b>4.</b> Screw, Cover, oval 1/4-20 x 1			
Chrome 1305 (each)	<b>50-0072</b> ±	\$2.95	
3 pack	<b>50-1052</b> ±	\$3.95	
10 pack	<b>50-0094</b> ±	\$8.95	
Black 902 (each)	<b>50-0310-S</b>	\$4.95	
3 pack	<b>50-0310</b>	\$10.95	
<b>5.</b> Backplate screw			
Zinc Plated (each)	<b>106-2084</b>	\$2.95	
10 pack	<b>106-2105</b>	\$7.95	
<b>6.</b> Pipe plug, 1/8, air cleaner backplate (each)	<b>50-8331A</b>	\$2.95	
10 pack	<b>50-1015</b>	\$10.95	
<b>7.</b> Mounting bracket bolt, hex 5/16-18 x 1 1/4	<b>50-0110</b>	\$0.95	
<b>8.</b> Flat washer, 5/16" x 1/16" 6320, 70907-07, 6016, 6702	<b>50-7034</b>	\$0.95	
<b>9.</b> Shim, .850" x .325" x .400"	<b>50-7027</b>	\$4.95	
<b>10.</b> Shim kit for 4 1/8" bore	<b>17-0314</b>	\$10.95	
Individual shims:			
5/16" x .018" (each)	<b>50-7038</b>	\$2.95	
5/16" x .030" (each)	<b>50-7039</b>	\$2.95	
5/16" x .048" (each)	<b>50-7040</b>	\$2.95	
5/16" x .105" (each)	<b>50-7041</b>	\$2.95	
<b>11.</b> Screw, PH, 10-24 x 1/4", Zinc, Steel (each)	<b>50-0041</b>	\$2.95	
10 pack	<b>50-0062</b>	\$4.95	
<b>12.</b> Clamp, Spring, .660"	<b>50-8076-S</b>	\$0.95	
<b>13.</b> Hose, Rear, Vent, Breather, Formed, Section 1, SAE J30	<b>50-8262-S</b>	\$15.95	
<b>14.</b> Hose, Rear, Vent, Breather, Formed, Section 2, SAE J30	<b>50-8263-S</b>	\$12.95	
<b>15.</b> Clamp, Spring, .440"	<b>50-8143-S</b>	\$0.95	
<b>16.</b> Hose, Cut To Size, .1875" x 6", Black, Rubber	<b>50-8142AS</b>	\$4.95	
<b>17.</b> Shims, individual			
5/8 x 7/8 x .025 (each)	<b>50-7113</b>	\$2.95	
10 pack	<b>50-7110</b>	\$7.95	
5/8 x 7/8 x .050 (each)	<b>50-7114</b>	\$2.95	
10 pack	<b>50-7111</b>	\$8.95	
5/8 x 7/8 x .075 (each)	<b>50-7115</b>	\$2.95	
10 pack	<b>50-7112</b>	\$11.95	
<b>18.</b> Air cleaner hardware kit			
2006-16 bt (includes #4, 5, 6, 11, 17, 23)	<b>17-0482</b>	\$20.95	
S&S 4 1/8" bore (includes #4, 5, 6, 7, 8, 9, 10, 11)	<b>17-0481</b>	\$25.95	
<b>19.</b> Silicone washer, 1/2" ID (each)	<b>50-7055</b>	\$2.95	
10 pack	<b>50-7057</b>	\$12.95	
<b>20.</b> Silicone washer, 3/8" ID (each)	<b>50-7054</b>	\$2.95	
10 pack	<b>50-7059</b>	\$12.95	
<b>21.</b> Hose, Vent, Breather, Epichlorohydrin Polymer	<b>USA 17-0339</b>	\$7.95	
<b>22.</b> Clamp, Spring, 9/16"	<b>50-8001</b>	\$0.95	
<b>23.</b> Screw, wide head, 5/16-24 x 3/6"	<b>17-0346</b>	\$5.95	
<b>24.</b> Breather vent fitting			
2006-16 bt	<b>17-0345</b>	\$20.95	
<b>25.</b> Breather fitting (each)	<b>17-0350</b>	\$4.95	
2 pack	<b>17-0355</b>	\$7.95	
<b>26.</b> Check Valve	<b>50-8122</b>	\$11.95	
<b>27.</b> Breather hardware for 2006-16 bt*	<b>17-0455</b>	\$41.95	
<b>28.</b> Breather hardware for 4 1/8" bore*	<b>31-2104</b>	\$42.95	

(\*Not included in air cleaner kit)



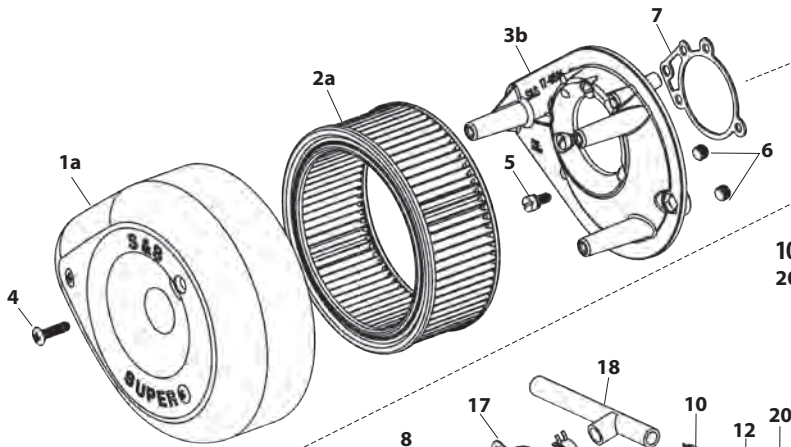
**NOTE**

Breather hardware not included in these air cleaner kits.

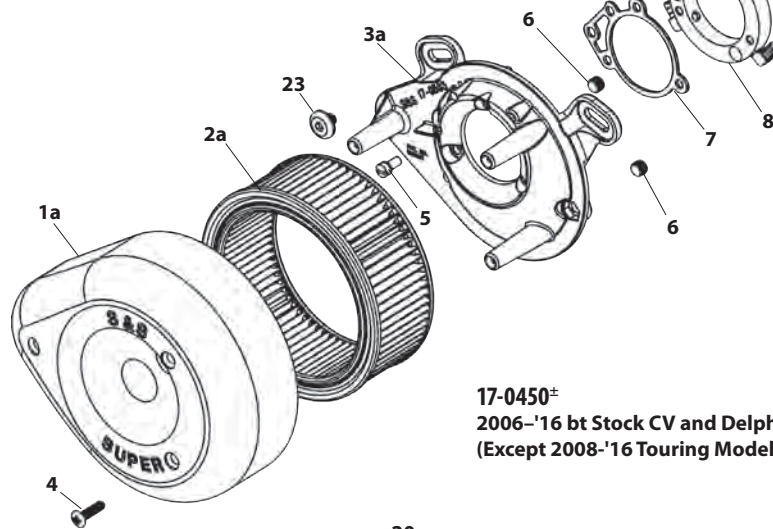
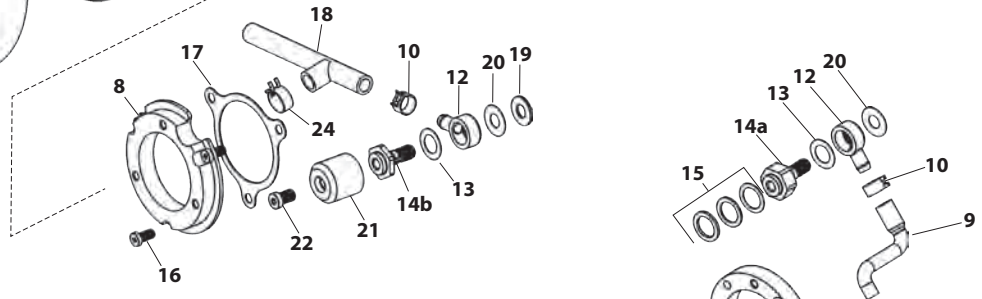
# CLASSIC TEARDROP AIR CLEANER REPLACEMENT PARTS FOR STOCK FUEL SYSTEMS

- |  |                             |          |
|--|-----------------------------|----------|
| <b>1.</b> Air cleaner cover  |                             |          |
| Chrome.....  | <b>17-0378<sup>±</sup></b>  | \$158.95 |
| Gloss Black (includes black screws) .....                                    | <b>170-0384A</b>            | \$158.95 |
| Slasher.....   | <b>17-0004<sup>±</sup></b>  | \$158.95 |
| <b>2.</b> Filter Element   |                             |          |
| a. Pleated .....   | <b>106-4722</b>             | \$23.95  |
| b. Foam (for 17-0444 kit only) .....   | <b>17-0079</b>              | \$18.95  |
| <b>3.</b> Backplate  |                             |          |
| a. 2006–'16 bt (except 2008–'16 touring models) .....                        | <b>106-0907</b>             | \$103.95 |
| b. 2008–'16 touring models.....  | <b>106-2092</b>             | \$103.95 |
| c. 2006-up Dyna® models & all 2007 bt with stock EFI. ....                   | <b>17-0003</b>              | \$97.95  |
| <b>4.</b> Cover screw, 1305  |                             |          |
| Chrome (each) .....  | <b>50-0072<sup>±</sup></b>  | \$2.95   |
| 3 pack.....  | <b>50-1052<sup>±</sup></b>  | \$3.95   |
| 10 pack.....   | <b>50-0094<sup>±</sup></b>  | \$8.95   |
| Black (each) .....   | <b>50-0310-S</b>            | \$4.95   |
| 3 pack.....  | <b>50-0310</b>              | \$10.95  |
| <b>5.</b> Backplate screw, Zinc Plated (each) .....                          | <b>106-2084</b>             | \$2.95   |
| 10 pack .....  | <b>106-2105</b>             | \$7.95   |
| <b>6.</b> Backplate plug 1/8"–27 (each) .....                                | <b>50-8331A</b>             | \$2.95   |
| 10 pack .....  | <b>50-1015</b>              | \$10.95  |
| Backplate plug .285" x .170".....  | <b>50-8306</b>              | \$2.95   |
| <b>7.</b> Gasket, backplate  |                             |          |
| CV Adaptor, .0625" (each) .....  | <b>106-1724</b>             | \$3.95   |
| 10 pack .....  | <b>106-2328</b>             | \$26.95  |
| 2006–'12 bt 29062-958.....   | <b>106-6022</b>             | \$3.95   |
| <b>8.</b> Adaptor assembly   |                             |          |
| 2006–'12 bt (except 2008–'12 touring models) .....                           | <b>106-0881<sup>±</sup></b> | \$59.95  |
| 2008–'12 touring models.....   | <b>106-1716</b>             | \$71.95  |
| <b>9.</b> Hose, vent, breather, .250" x .375" x 1.825" (each) .....          | <b>17-0364A</b>             | \$5.95   |
| <b>10.</b> Clamp, spring, 3/16" .....  | <b>50-8001</b>              | \$0.95   |
| <b>11.</b> Screw, w/lockwasher SLTD FH, 1/4–20 x 3/4", Zinc, Steel .....     | <b>50-0073</b>              | \$2.95   |
| <b>12.</b> Banjo fitting (each).....   | <b>17-0350</b>              | \$4.95   |
| 2 pack .....   | <b>17-0355</b>              | \$7.95   |
| <b>13.</b> Washer, silicone coated steel, 3/8" (each) .....                  | <b>50-7054</b>              | \$2.95   |
| 10 pack .....  | <b>50-7059</b>              | \$12.95  |
| <b>14.</b> Breather screw  |                             |          |
| a. +.250", 2006–'12 bt (except 2008–'12 touring models) .....                | <b>17-0348</b>              | \$11.95  |
| b. 3/8–16 UNC, +.250, 2008–'12 Touring (each).....                           | <b>106-2667</b>             | \$13.95  |
| c. 3/8–16 NC, 2006-up Dyna models & all 2007 bt.....                         | <b>17-0345</b>              | \$20.95  |
| <b>15.</b> Replacement shims   |                             |          |
| 5/8" x .025" (each) .....  | <b>50-7113</b>              | \$2.07   |
| 10 pack.....   | <b>50-7110</b>              | \$7.95   |
| 5/8" x .050" (each) .....  | <b>50-7114</b>              | \$2.95   |
| 10 pack.....   | <b>50-7111</b>              | \$8.95   |
| 5/8" x .075" (each) .....  | <b>50-7115</b>              | \$2.95   |
| 10 pack.....   | <b>50-7112</b>              | \$11.95  |
| <b>16.</b> Screw, LSHC, 1/4–20 x 1/2", zinc plated (each) .....              | <b>106-2037</b>             | \$2.95   |
| 10 pack .....  | <b>106-2125</b>             | \$10.95  |
| <b>17.</b> Gasket, throttle body, throttle by wire, 2008–up BT 29645-08      |                             |          |
| each .....   | <b>106-2643</b>             | \$8.95   |
| <b>18.</b> Hose, vent, breather .....  | <b>USA 17-0339</b>          | \$7.95   |
| <b>19.</b> Washer, flat, .375" x .813" x .063", zinc, steel                  |                             |          |
| each .....   | <b>50-7051</b>              | \$2.95   |
| <b>20.</b> Washer, silicone coated steel 1/2" (each) .....                   | <b>50-7055</b>              | \$2.95   |
| 10 pack .....  | <b>50-7057</b>              | \$12.95  |
| <b>21.</b> Cover, breather screw, chrome, aluminum.....                      | <b>106-2022<sup>±</sup></b> | \$31.95  |
| <b>22.</b> Screw, LSHC, 5/16–24 x 1/2", stainless steel .....                | <b>106-2023</b>             | \$6.95   |
| <b>23.</b> Screw; Backplate Vent; Special Socket Panh .....                  | <b>17-0346</b>              | \$5.95   |
| <b>24.</b> Clamp, Spring, .660" .....  | <b>50-8076-S</b>            | \$0.95   |
| <b>25.</b> Nut, HH, 1/4–28 UNC–2B x .328", Zinc, Steel .....                 | <b>50-5010</b>              | \$2.95   |
| <b>26.</b> Vent hose, with angle cut .....                                   | <b>17-0365</b>              | \$3.95   |
| <b>27.</b> Hose fitting .....  | <b>17-0336C-S</b>           | \$7.95   |
| <b>28.</b> Flatwasher, 1/4" 6194, 6245, 6703, 6736, 6228W, 6192 (each) ..... | <b>50-7021</b>              | \$2.95   |
| <b>29.</b> Carb support bracket .....  | <b>N/A</b>                  | —        |
| <b>30.</b> Shim – 1/4" x 3/4" x .200" .....                                  | <b>50-7024</b>              | \$2.95   |
| <b>31.</b> Mounting Hardware Kit   |                             |          |
| 2006–'12 bt (except 2008–'12 touring models) .....                           | <b>106-0838</b>             | \$69.95  |
| (includes 7,5,25,11,9,19,14,12,10,26,33)                                     |                             |          |
| 2008–'12 touring models.....   | <b>106-2102</b>             | \$125.95 |
| (includes 7,23,24,15,5,16,22,17,11,18,12,19,10,27,33)                        |                             |          |
| <b>32.</b> Cable Tie (N/S) .....   | <b>50-8003</b>              | \$2.95   |
| <b>33.</b> Screw, PH, 1/4–20 x 1", Nickel, Stainless Steel 1305 (N/S) .....  | <b>50-0072</b>              | \$2.95   |

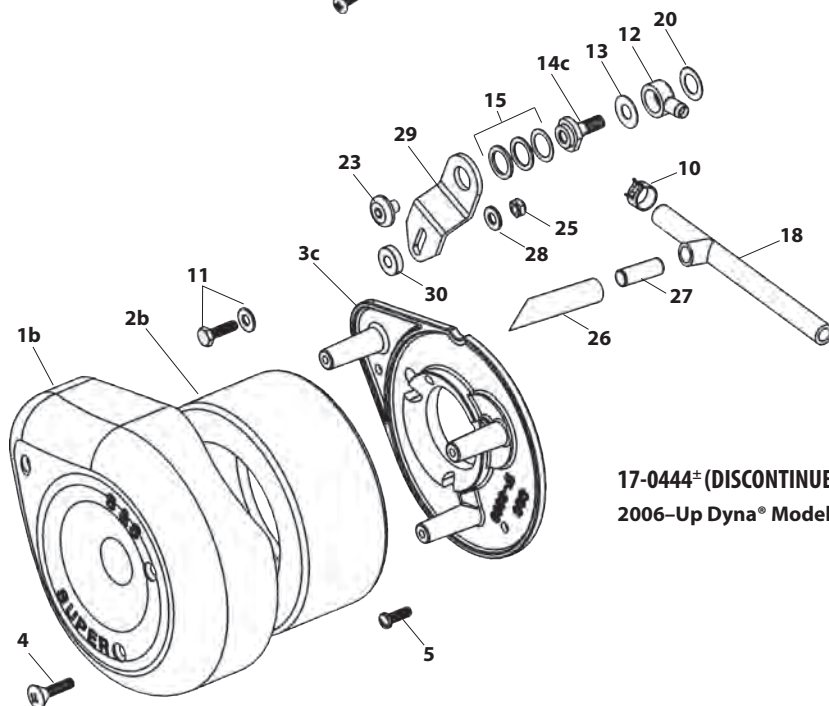
(N/S) = Not Shown



**106-2091±**  
2008-'16 Touring Models with Stock EFI Throttle Body



**17-0450±**  
2006-'16 bt Stock CV and Delphi® Single Bore EFI  
(Except 2008-'16 Touring Models)

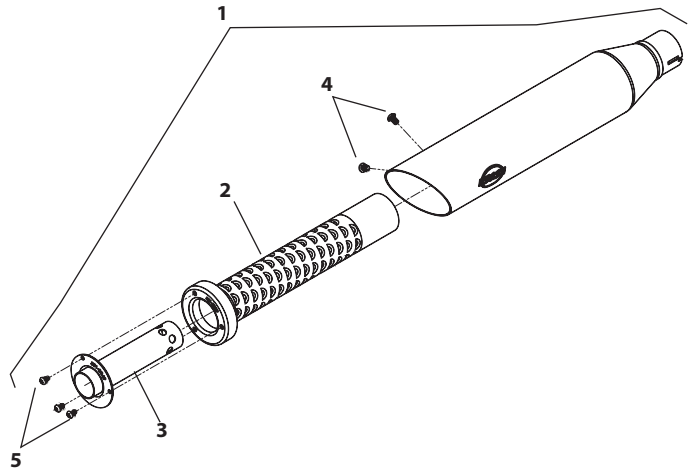


**17-0444± (DISCONTINUED)**  
2006-Up Dyna® Models & All 2007 big twin Models with Stock EFI

# SLASH CUT SLIP-ONS FOR DYNA® MODELS REPLACEMENT PARTS

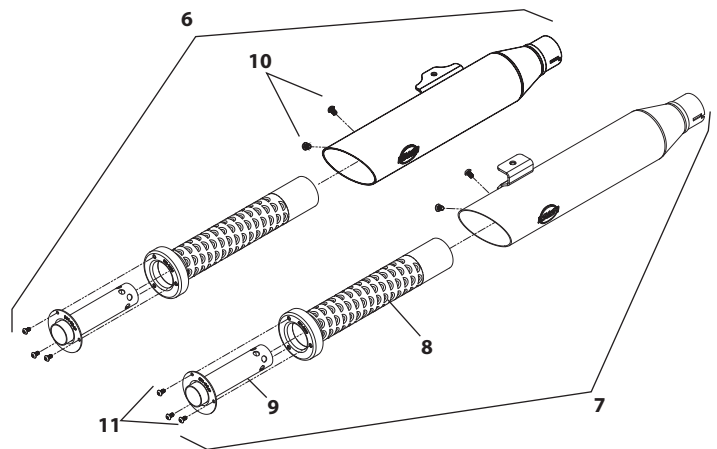
## Kit Part #: 550-0718± and 550-0720

- |  |                  |          |
|--|------------------|----------|
| 1. Slash Cut Muffler Assembly, Front or Rear       |                  |          |
| Chrome .....                                       | <b>551-0308±</b> | \$224.95 |
| Black .....  | <b>551-0311</b>  | \$219.95 |
| 2. Main Baffle Assembly .....                      | <b>551-0301</b>  | \$36.95  |
| 3. dB Reducer Baffle .....                         | <b>551-0350</b>  | \$23.95  |
| 4. Button head cap screw, Stainless, 1/4"-20x3/8"1 |                  |          |
| (Hold Main baffle assy to muffler shell) .....     | <b>500-0441</b>  | \$0.95   |
| 5. Socket head cap screw, Stainless, 10-32x3/8"    |                  |          |
| (Hold db reducer baffle to main baffle assy) ..... | <b>500-0570</b>  | \$0.95   |



## Kit Part #: 550-0722± and 550-0724

- |  |                  |          |
|--|------------------|----------|
| 6. Top Muffler Assembly Slash Cut                  |                  |          |
| Chrome .....                                       | <b>551-0320±</b> | \$239.95 |
| Black .....  | <b>551-0323</b>  | \$239.95 |
| 7. Bottom Muffler Assembly, Slash Cut              |                  |          |
| Chrome .....                                       | <b>551-0326±</b> | \$224.95 |
| Black .....  | <b>551-0329</b>  | \$224.95 |
| 8. Main Baffle Assembly .....                      | <b>551-0301</b>  | \$36.95  |
| 9. dB Reducer Baffle .....                         | <b>551-0350</b>  | \$23.95  |
| 10. Button head cap screw, Stainless, 1/4"-20x3/8" |                  |          |
| (Hold Main baffle assy to muffler shell) .....     | <b>500-0441</b>  | \$0.95   |
| 11. Socket head cap screw, Stainless, 10-32x3/8"   |                  |          |
| (Hold db reducer baffle to main baffle assy) ..... | <b>500-0570</b>  | \$0.95   |



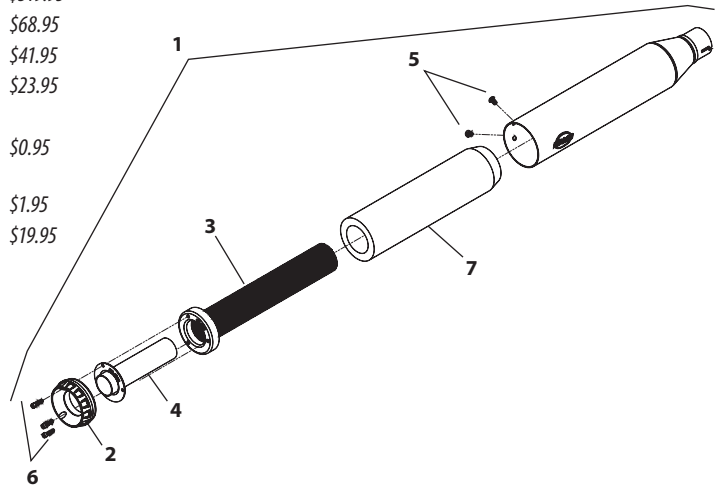
± WARNING: Cancer and Reproductive Harm — [www.P65Warnings.ca.gov](http://www.P65Warnings.ca.gov)



# GRAND NATIONAL® SLIP-ONS FOR DYNA® MODELS REPLACEMENT PARTS

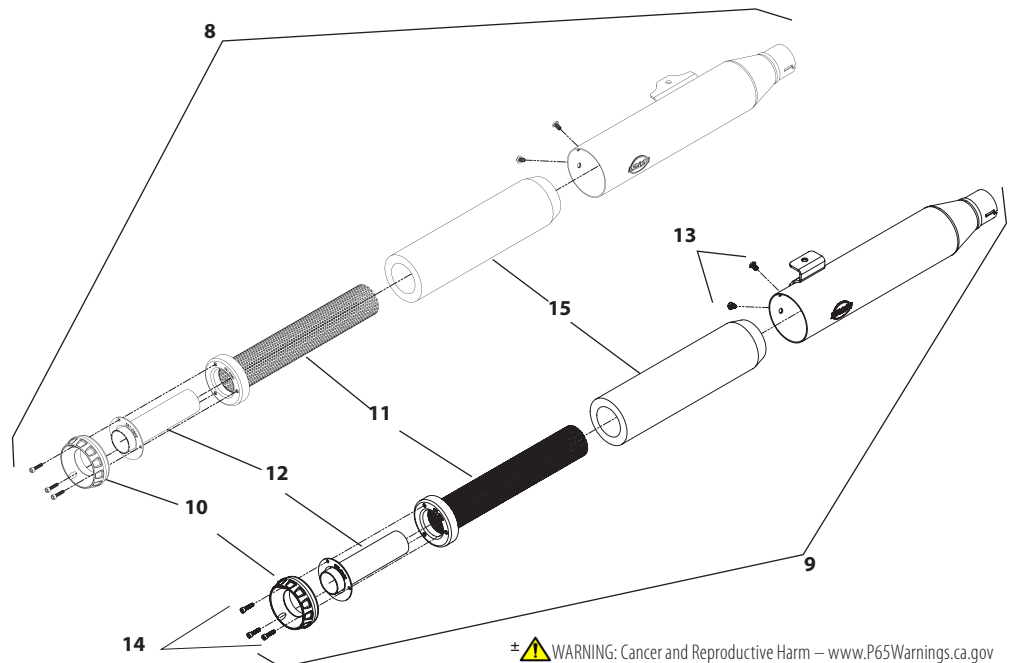
## Kit Part #s: 550-0719 and 550-0721

1. Grand National Muffler Assembly Front or Rear  
 Chrome ..... **551-0314**± \$319.95  
 Black ..... **551-0317** \$319.95
2. Endcap ..... **551-0294** \$68.95
3. Main Baffle Assembly ..... **551-0299** \$41.95
4. dB Reducer Baffle ..... **551-0304** \$23.95
5. Button head cap screw, Stainless, 1/4"-20x3/8"  
 (Hold Main baffle assy to muffler shell) ..... **500-0441** \$0.95
6. Socket head cap screw, Stainless, 10-32x3/4"  
 (Hold Endcap to main baffle assy) ..... **500-0569** \$1.95
7. Insulation, Muffler, Pillow Pack ..... **551-0305** \$19.95



## Kit Part #s: 550-0723 and 550-0725

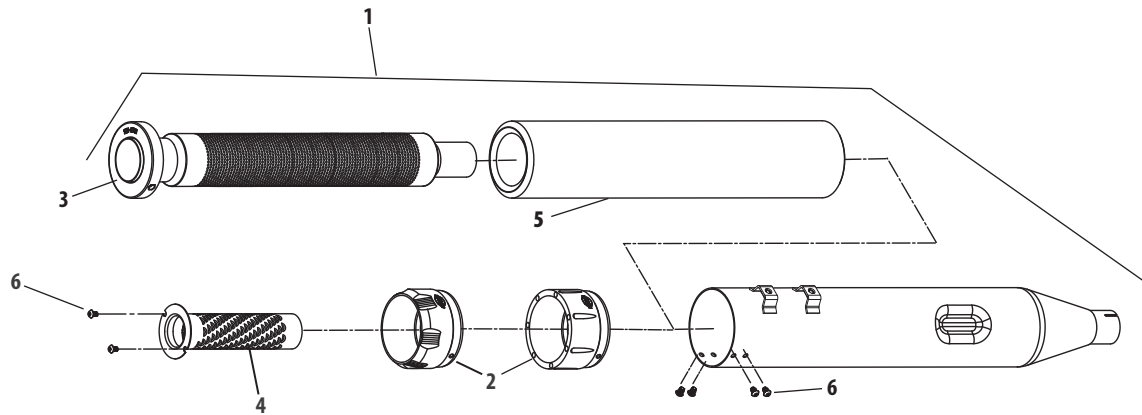
8. Muffler Assembly, Grand National, Top  
 Chrome ..... **551-0332**± \$327.94  
 Black ..... **551-0335** \$334.95
9. Muffler Assembly, Grand National, Bottom  
 Chrome ..... **551-0338**± \$319.95  
 Black ..... **551-0341** \$319.95
10. Endcap ..... **551-0294** \$68.95
11. Main Baffle Assembly ..... **551-0299** \$41.95
12. dB Reducer Baffle ..... **551-0304** \$23.95
13. Button head cap screw, Stainless, 1/4"-20x3/8"  
 (Hold Main baffle assy to muffler shell) ..... **500-0441** \$0.95
14. Socket head cap screw, Stainless, 10-32x3/4"  
 (Hold Endcap to main baffle assy) ..... **500-0569** \$1.95
15. Insulation, Muffler, Pillow Pack ..... **551-0305** \$19.95



± WARNING: Cancer and Reproductive Harm – www.P65Warnings.ca.gov

# Mk45 4.5" MUFFLER REPLACEMENT PARTS

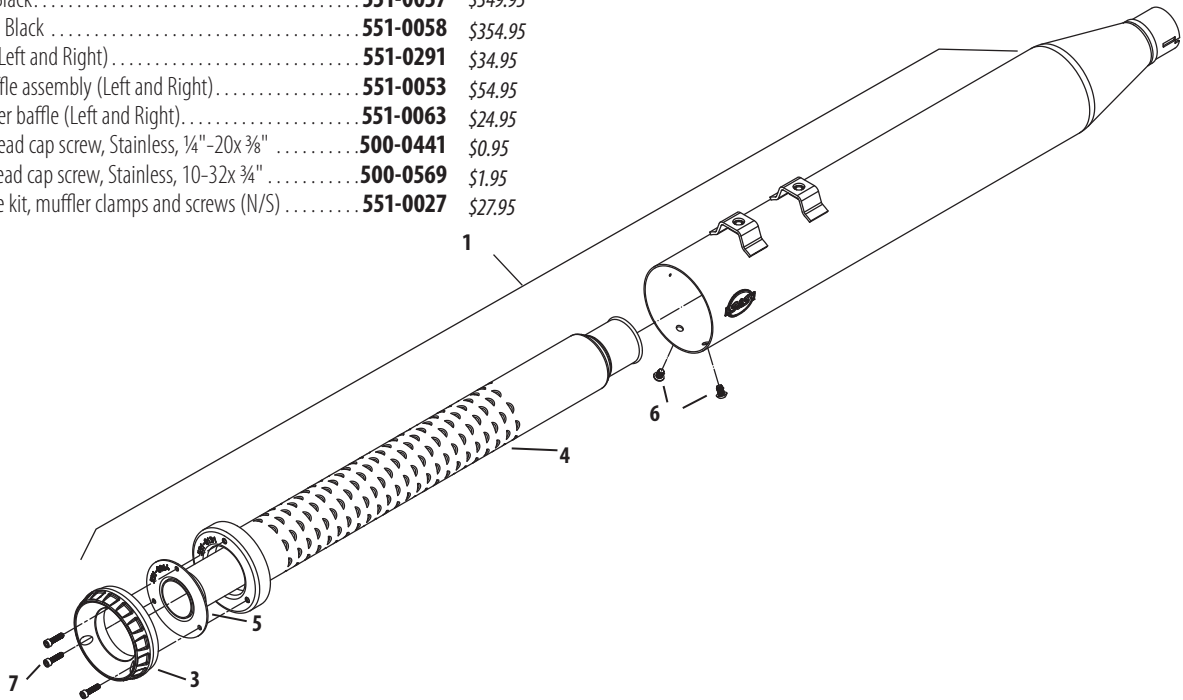
1. 4.5" Muffler Assembly
  - Left, Chrome ..... **551-0020**± \$289.95
  - Right, Chrome ..... **551-0021**± \$289.95
  - Left, Black ..... **551-0022** \$354.95
  - Right, Black ..... **551-0023** \$359.95
2. Endcap
  - Thruster, Chrome ..... **550-0634A**± \$174.95
  - Thruster, Highlighted Machined ..... **550-0629A** \$159.95
  - Tracer, Chrome ..... **550-0636A**± \$174.95
  - Tracer, Highlighted Machined ..... **550-0632A** \$159.95
3. Main Baffle Assembly, 4.5" Muffler ..... **551-0007** \$71.95
4. dB reducer ..... **551-0026** \$23.95
5. Insulation, 4.5" Muffler ..... **551-0003** \$25.95
6. Button Head Cap Screw, Stainless, 1/4"-20 X 3/8" ..... **500-0441** \$0.95
7. Hardware Kit, Muffler Clamps And Screws (N/S) ..... **551-0027** \$27.95



± WARNING: Cancer and Reproductive Harm – [www.P65Warnings.ca.gov](http://www.P65Warnings.ca.gov)

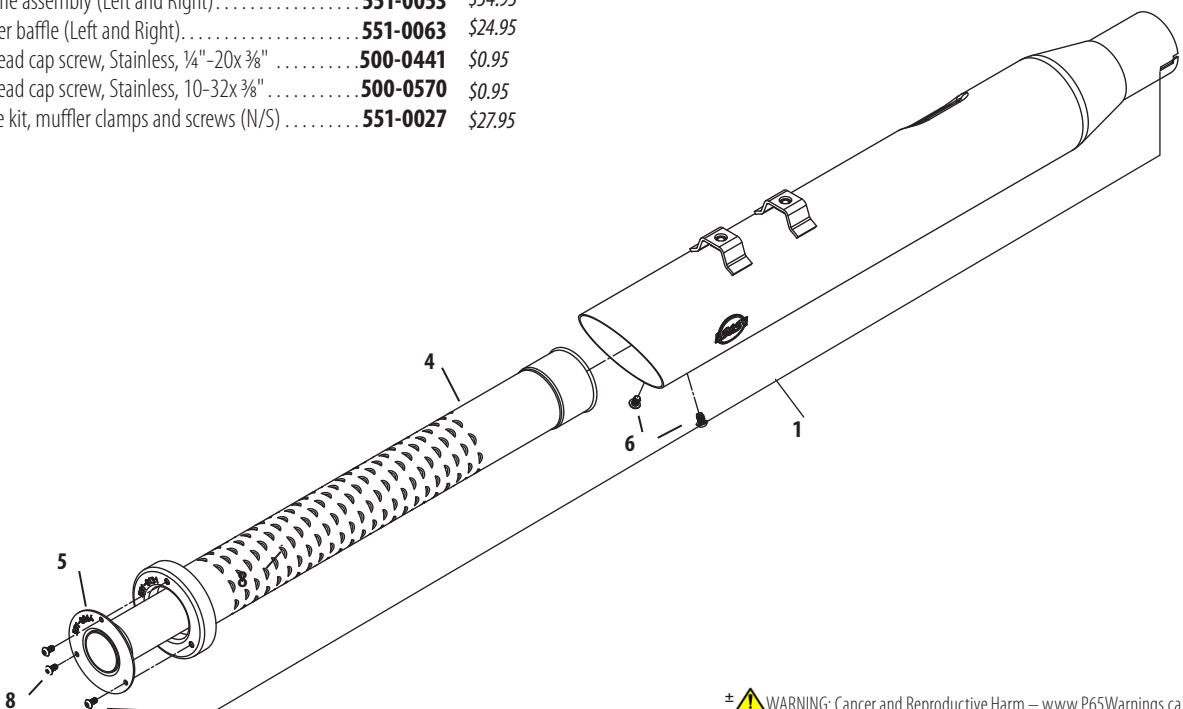
# GRAND NATIONAL® 4" REPLACEMENT PARTS

1. 4" Muffler assembly with Grand National Endcap
  - Left, Chrome..... **551-0055**± \$289.95
  - Right, Chrome..... **551-0056**± \$289.95
  - Left, Black..... **551-0057** \$349.95
  - Right, Black..... **551-0058** \$354.95
3. Endcap (Left and Right)..... **551-0291** \$34.95
4. Main baffle assembly (Left and Right)..... **551-0053** \$54.95
5. dB reducer baffle (Left and Right)..... **551-0063** \$24.95
6. Button head cap screw, Stainless, ¼"-20x ¾"..... **500-0441** \$0.95
7. Socket head cap screw, Stainless, 10-32x ¾"..... **500-0569** \$1.95
9. Hardware kit, muffler clamps and screws (N/S)..... **551-0027** \$27.95



# SLASH CUT 4" REPLACEMENT PARTS

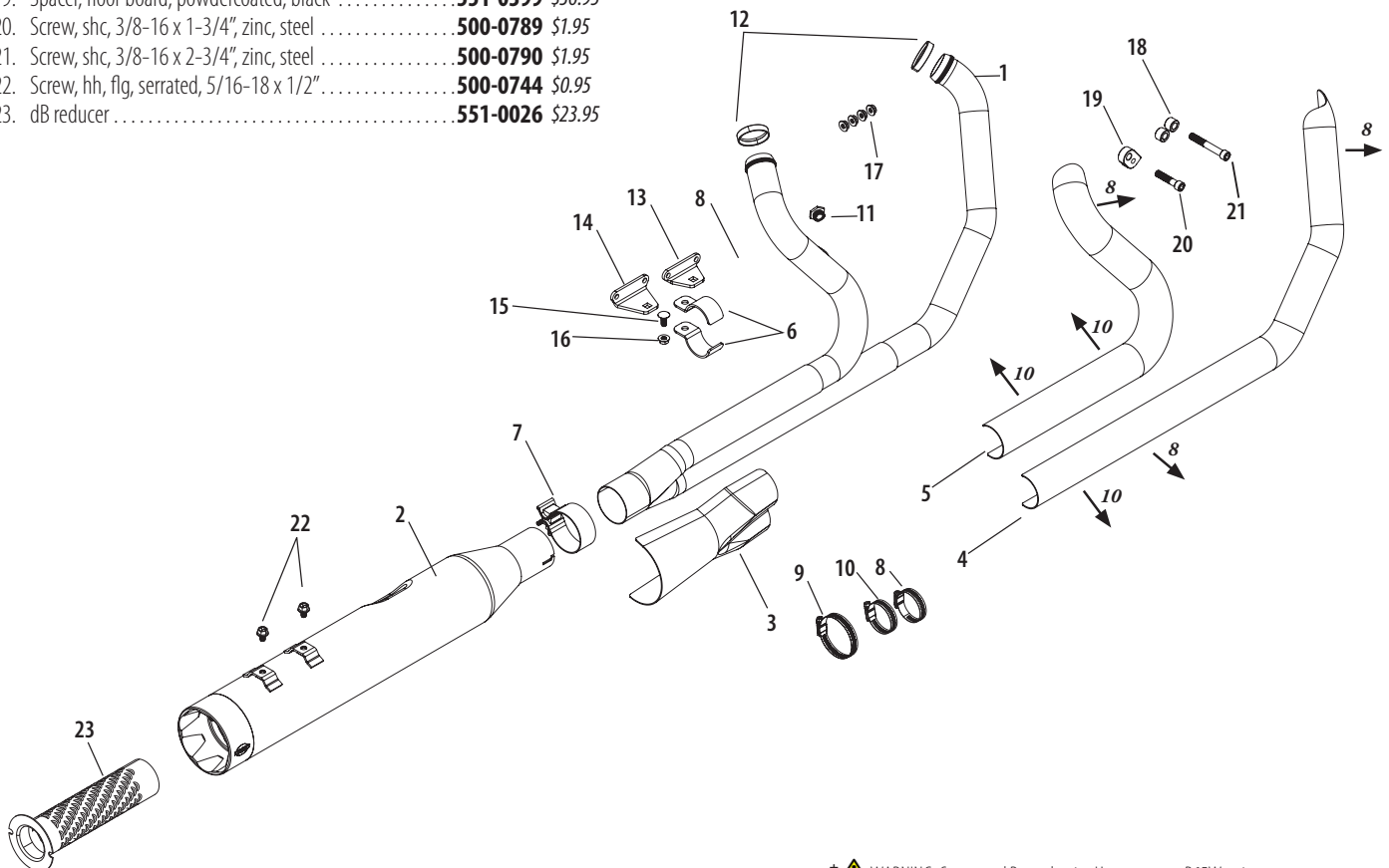
1. 4" Muffler assembly Slash Down
  - Left, Chrome..... **551-0059**± \$319.95
  - Right, Chrome..... **551-0060**± \$319.95
  - Left, Black..... **551-0061** \$389.95
  - Right, Black..... **551-0062** \$389.95
4. Main baffle assembly (Left and Right)..... **551-0053** \$54.95
5. dB reducer baffle (Left and Right)..... **551-0063** \$24.95
6. Button head cap screw, Stainless, ¼"-20x ¾"..... **500-0441** \$0.95
8. Button head cap screw, Stainless, 10-32x ¾"..... **500-0570** \$0.95
9. Hardware kit, muffler clamps and screws (N/S)..... **551-0027** \$27.95



± WARNING: Cancer and Reproductive Harm – www.P65Warnings.ca.gov

# SIDEWINDER® 2:1 EXHAUST REPLACEMENT PARTS

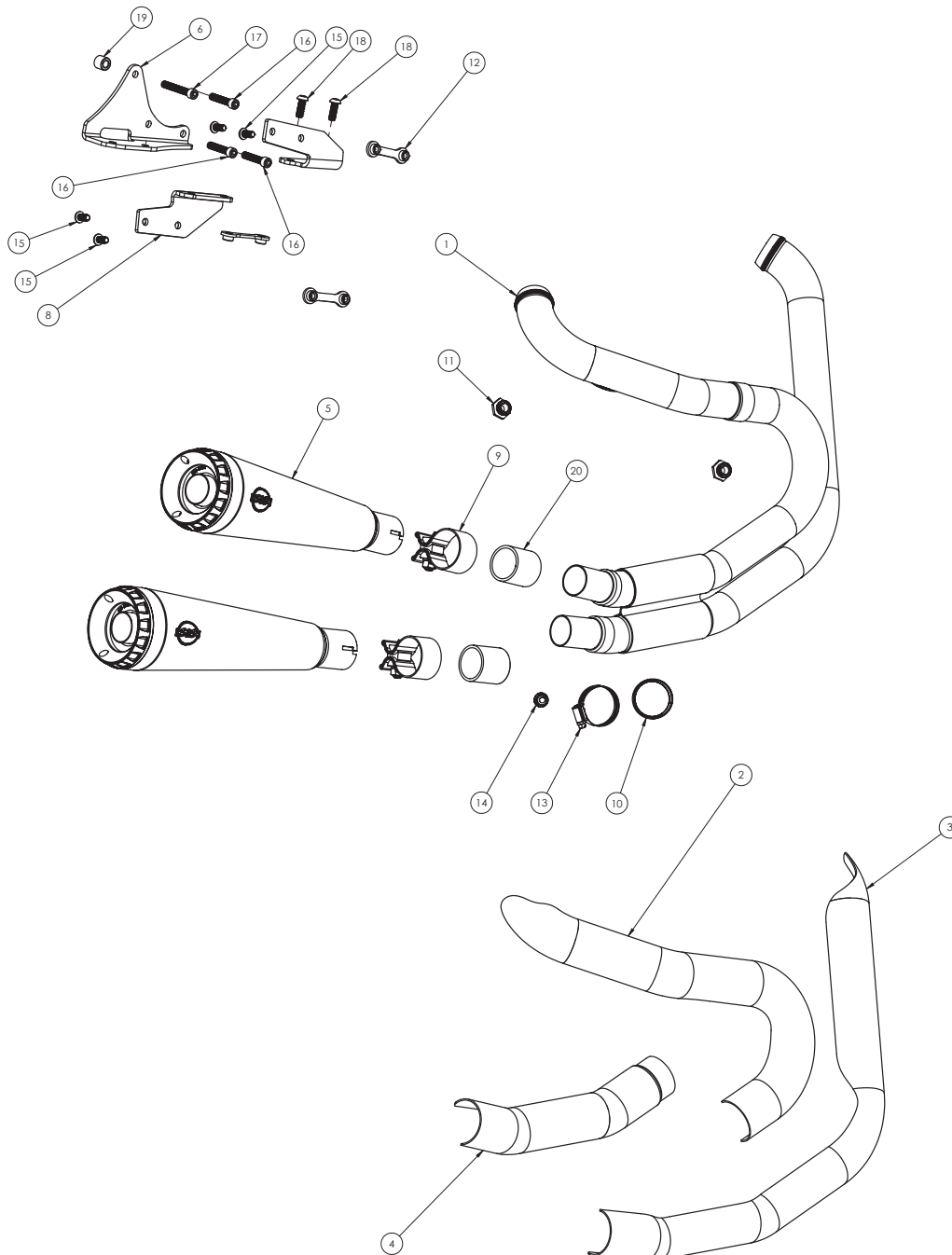
1. Header, Assembly, 2 into 1, Sidewinder®, Weldment, 1995-'16 Touring Models ..... **551-0705** \$289.95
2. Muffler, 50 state  
 Chrome ..... **551-0529A**± \$849.95  
 Black ..... **551-0530A** \$849.95
3. Collector, heat shield  
 Chrome ..... **551-0379**± \$110.95  
 Black ..... **551-0381** \$109.95
4. Heat shield, front, 2:1, Sidewinder®, chrome, 1995-'16 touring models  
 Chrome ..... **551-0709**± \$204.95  
 Black ..... **551-0715** \$249.95
5. Heat shield, rear, 2:1, Sidewinder®, chrome, 1995–2016 touring models  
 Chrome ..... **551-0712**± \$149.95  
 Black ..... **551-0717** \$179.95
6. Clamp, header mount, 2:1, chrome plate, mild steel, 11 gauge, M8 2017 touring ..... **551-0361** \$6.95
7. Clamp, muffler, band style, 2.5" ..... **551-0135** \$11.95
8. Clamp, hose, worm drive, SAE #20 (qty. 3) ..... **551-0527** \$1.95
9. Clamp, hose, worm drive, SAE #40 ..... **551-0402** \$2.95
10. Clamp, hose, worm drive, SAE #24 (qty. 3) ..... **500-0791** \$1.95
11. Adapter, oxygen sensor, 12mm to 18mm, stainless steel ..... **550-0375** \$10.95
12. Gasket, exhaust, tapered, stainless steel, 1984-up bt, 1986-up xl 65324-838, 65324-83A ..... **106-5029** \$4.95
13. Bracket, header mount, 2:1, powdercoated, black, 2007-'16 touring models ..... **551-0719** \$14.95
14. Bracket, header mount, 2:1, powdercoated, black, 1995-'06 touring ..... **551-0786** \$14.95
15. Bolt, carriage, 5/16-18 x 3/4" ..... **500-0555** \$0.95
16. Nut, HSFH, 5/16-18 unc-2b x .283", Zinc, steel ..... **50-5053-S** \$0.95
17. Nut, HSFH, 5/16-24 unf-2b x .283", Zinc, steel 7593 ..... **50-5025-S** \$0.95
18. Washer, spacer, floor board ..... **551-0400** Call For Pricing
19. Spacer, floor board, powdercoated, black ..... **551-0399** \$36.95
20. Screw, shc, 3/8-16 x 1-3/4", zinc, steel ..... **500-0789** \$1.95
21. Screw, shc, 3/8-16 x 2-3/4", zinc, steel ..... **500-0790** \$1.95
22. Screw, hh, flg, serrated, 5/16-18 x 1/2" ..... **500-0744** \$0.95
23. dB reducer ..... **551-0026** \$23.95



± WARNING: Cancer and Reproductive Harm — www.P65Warnings.ca.gov

# GRAND NATIONAL® 2:2 EXHAUST REPLACEMENT PARTS

- |   |                 |          |  |                  |         |
|---|-----------------|----------|--|------------------|---------|
| 1. Pipe, Header, 2 Into 2, Weldment, 2006-'17 Dyna® .....                                     | <b>551-0496</b> | \$299.95 | 9. Clamp, Muffler, Band Style, 1.75" Diameter,<br>3/8-16 X 1.57" Bolt .....                        | <b>551-0569</b>  | \$12.95 |
| 2. Shield, Rear, Upper, 2 Into 2, Outside Process, Black,<br>2006-'17 Dyna® .....             | <b>551-0506</b> | \$159.95 | 10. Gasket, Exhaust, Tapered, Stainless Steel, 1984-up bt,<br>1986-up xl65324-83B, 65324-83A. .... | <b>106-5029</b>  | \$4.95  |
| 3. Shield, Front, 2 Into 2, Outside Process, Black,<br>2006-'17 Dyna® .....                   | <b>551-0500</b> | \$189.95 | 11. Adapter, Oxygen Sensor, 12mm To 18mm, Stainless Steel  | <b>550-0375</b>  | \$10.95 |
| 4. Shield, Rear, Lower, 2 Into 2, Outside Process, Black,<br>2006-'17 Dyna® .....             | <b>551-0512</b> | \$124.95 | 12. Plate, Nut, 5/16-18 X 2", Zinc Clear .....   | <b>551-0469</b>  | \$2.95  |
| 5. Muffler, Assembly, Grand National, 2 Into 2, Cone Body,<br>Black .....                     | <b>551-0474</b> | \$319.95 | 13. Clamp, Hose, Worm Drive, SAE #20 .....   | <b>551-0527</b>  | \$1.95  |
| 6. Bracket, Mounting, 2 Into 2, Black, 2006-'17 Dyna® .....                                   | <b>551-0482</b> | \$14.95  | 14. Nut, hsfh, 5/16-24 Unf-2B X .283", Zinc, Steel z593. ....                                      | <b>50-5025-S</b> | \$0.95  |
| 7. Bracket, Top, Mounting, Muffler, 2 Into 2, Powdercoated, Black,<br>2006-'17 Dyna® .....    | <b>551-0571</b> | \$10.95  | 15. Screw, bhc, 5/16-18 X 5/8", Zinc Plated .....  | <b>500-0763</b>  | \$0.95  |
| 8. Bracket, Bottom, Mounting, Muffler, 2 Into 2, Powdercoated, Black,<br>2006-'17 Dyna® ..... | <b>551-0572</b> | \$10.95  | 16. Screw, shcs, 5/16-18 X 1-1/2", Zinc Plated .....   | <b>106-4401</b>  | \$0.95  |
|   |                 |          | 17. Screw, shcs, 5/16-18 X 2", Zinc Plated .....   | <b>500-0781</b>  | \$1.95  |
|   |                 |          | 18. Screw, bhc, 5/16-18 X 7/8", Zinc Plated .....  | <b>500-0801</b>  | \$0.95  |
|   |                 |          | 19. Spacer, Powdercoated, .625" X .332" X .55", Black .....  | <b>551-0570</b>  | \$6.95  |
|   |                 |          | 20. Gasket, Muffler, 3.25", 2018 M8 Softail® .....   | <b>551-0360</b>  | \$5.95  |



# POWER TUNE® DUAL HEADER REPLACEMENTS

## POWER TUNE® DUAL HEADERS

Fitment	Finish	Part #	MSRP
1995–'08† big twins	Chrome ±	<b>550-0003A**</b>	\$549.95
	Black	<b>550-0142A**</b>	\$649.95
2009–'16 non-catalyst equipped touring and 2009–'18 Tri Glide†† models	Chrome ±	<b>550-0004B***</b>	\$549.95
	Black	<b>550-0143B***</b>	\$649.95

†Has 18mm sensor fittings in the stock locations for 2007-'08 bikes. If not equipped with oxygen sensors, the ports can be used for tuning. Plugs are included if ports are not used.

††Requires the Trike Adaptor Kit part # 550-0799. See page 56

\*\*DISCLAIMER: NOT LEGAL FOR SALE OR USE IN CALIFORNIA ON ANY POLLUTION CONTROLLED MOTOR VEHICLE. NOT LEGAL FOR SALE OR USE ON EPA POLLUTION CONTROLLED VEHICLES ORIGINALLY EQUIPPED WITH CATALYST.

\*QUALIFIED MANUFACTURER DECLARED EMISSIONS REPLACEMENT PART ON FL TOURING MODELS LISTED BELOW.

CALIFORNIA MODELS: FL TOURING FUEL INJECTED MY 1995-2003, AND 2007. CVO FL TOURING MY 2000-2003.

49 STATE MODELS: FL TOURING CARBURETED MY 1995-2005. FL TOURING FUEL INJECTED MY 1995-2005 AND 2007-2008. CVO FL TOURING MY 2000-2005.

\*\*\*DISCLAIMER: NOT LEGAL FOR SALE OR USE IN CALIFORNIA ON ANY POLLUTION CONTROLLED MOTOR VEHICLE. NOT LEGAL FOR SALE OR USE ON EPA POLLUTION CONTROLLED MOTORCYCLES ORIGINALLY EQUIPPED WITH A CATALYST EXHAUST

\*QUALIFIED MANUFACTURER DECLARED EMISSIONS COMPLIANT PART FOR 2009 HARLEY-DAVIDSON 49-STATE NON-CVO FL TOURING MODELS ONLY

± WARNING: Cancer and Reproductive Harm – www.P65Warnings.ca.gov

# POWER TUNE® DUAL HEADER REPLACEMENT PARTS

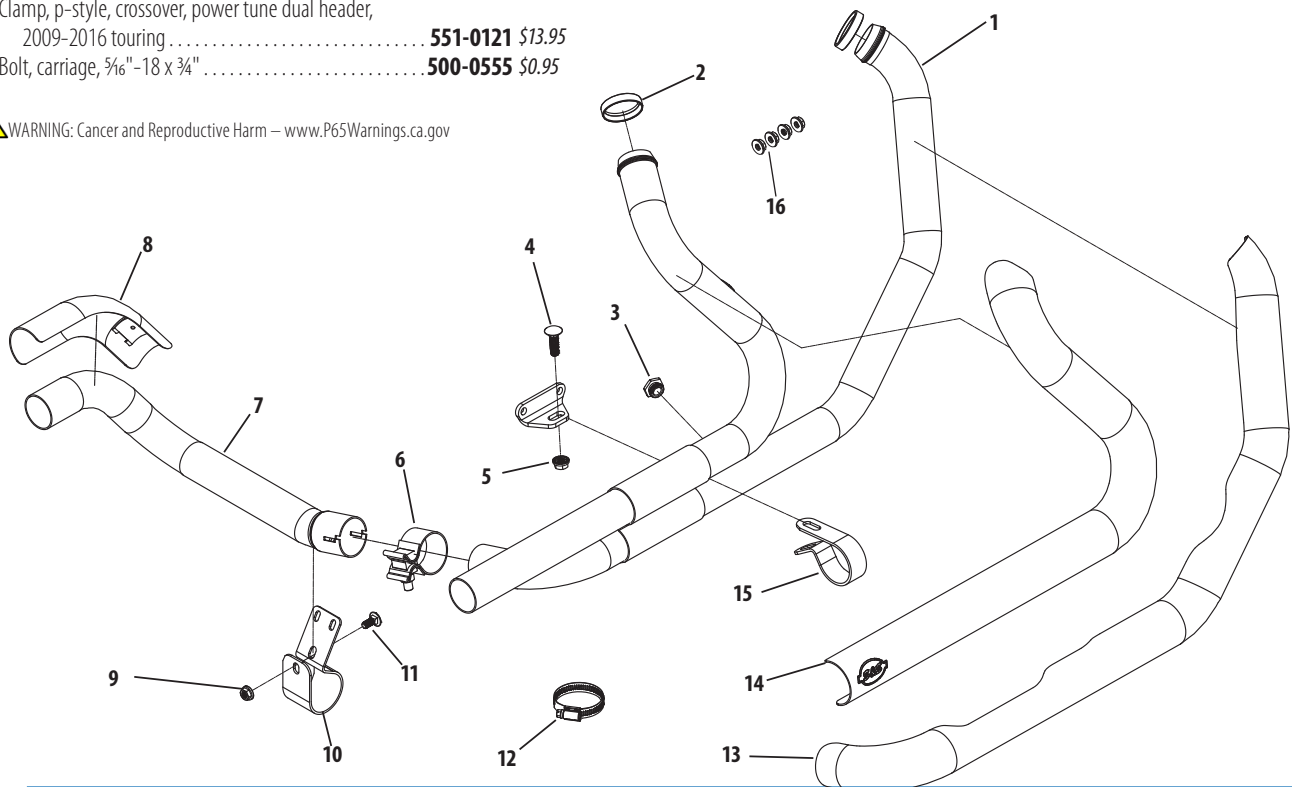
- |   |                  |          |   |                  |          |
|---|------------------|----------|---|------------------|----------|
| 1. Pipe, header, power tune dual, weldment, 2009-2016 touring                                     | <b>551-0084</b>  | \$249.95 | 12. Clamp, hose (8 Req)                                       | <b>551-0527</b>  | \$1.95   |
| 2. Gasket, exhaust, tapered, stainless steel, 1984-up bt, 1986-up xl (2 Req) 65324-83B, 65324-83A | <b>106-5029</b>  | \$4.95   | 13. Shield, front, power tune dual, Chrome, 2009-2016 touring | <b>551-0097±</b> | \$209.95 |
| 3. Adapter, oxygen sensor, 12mm to 18mm, stainless steel (2 Req)                                  | <b>550-0375</b>  | \$10.95  | Black, 2009-2016 touring                                      | <b>551-0098</b>  | \$259.95 |
| 4. Bolt, carriage, 3/8"-16 x 1-1/4"   | <b>500-0553</b>  | \$0.95   | 14. Shield, rear, power tune dual, Chrome, 2009-2016 touring  | <b>551-0103</b>  | \$179.95 |
| 5. Nut, flanged, serrated, 3/8"-16  | <b>500-0554</b>  | \$0.95   | Black, 2009-2016 touring                                      | <b>551-0104</b>  | \$224.95 |
| 6. Clamp, muffler, band style   | <b>551-0569</b>  | \$12.95  | 15. Clamp, p-style, power tune dual, side, 1995-2016 touring  | <b>551-0119</b>  | \$9.95   |
| 7. Tube, crossover, power tune dual, formed, 2009-2016 touring                                    | <b>551-0080</b>  | \$54.95  | 16. Nut, HSFH, 5/16-24  | <b>50-5025-S</b> | \$0.95   |
| 8. Shield, left, power tune dual, Chrome, 2009-2016 touring                                       | <b>551-0115±</b> | \$49.95  |   |                  |          |
| Black, 2009-2016 touring  | <b>551-0116</b>  | \$58.95  |   |                  |          |
| 9. Nut, HSFH, 5/16-18 UNC-2b x .283", Zinc, steel   | <b>50-5053-S</b> | \$0.95   |   |                  |          |
| 10. Clamp, p-style, crossover, power tune dual header, 2009-2016 touring                          | <b>551-0121</b>  | \$13.95  |   |                  |          |
| 11. Bolt, carriage, 3/8"-18 x 3/4"  | <b>500-0555</b>  | \$0.95   |   |                  |          |

### Not Shown

Hardware kit, power tune dual, header, 2009-2016 touring

Includes items 2–6, 9–12, 15, and 16. **551-0155** \$94.95

± WARNING: Cancer and Reproductive Harm – www.P65Warnings.ca.gov



# 1999–2006 BIG TWINS

## **Performance Kits**

4" Bore Sidewinder Big Bore Kit..	159
95" Hot Set Up Kit .....	163
97" Big Bore Kits .....	162
98" Big Bore Kits .....	162
106" Stroker Kits .....	161
124" Hot Set Up Kit.....	160
Performance Kit Overview .....	158
Power Pack.....	175

## **Performance Engines**

T143 Engines .....	165
T-Series Long Block Engines .....	166

## **Performance Parts**

Air Cleaners .....	151
Camshafts .....	176
Carburetors .....	194
Crankcases.....	167
Cylinder Heads.....	186
Cylinders & Pistons .....	172
Drive Belts.....	203
Electronics.....	199
Exhaust.....	145
Flywheels .....	169
Gaskets .....	204
Gearcovers.....	171
Manifolds.....	192
Oil Pumps.....	170
Pushrods.....	182
Rocker Arms.....	185
Rocker Covers.....	191
Tappets.....	181
Throttle Bodies .....	193
Transmission .....	201
Valve Springs .....	184

## **Replacement Parts.....208**



# SIDEWINDER® 2:1 EXHAUST FOR 1995–'16 TOURING MODELS

- 2:1 styling for high-performance baggers
- Increased power and torque
- Available in Show Chrome or Ceramic Black Finish
- Machined aluminum endcap
- Includes adapters that allow use of wide band or stock O2 sensors
- Stainless steel header construction
- Some fitments 50-State Legal: CARB EO# K-010-3
- Removable dB reducer included
- Made in the USA!



## SIDEWINDER® 2:1 EXHAUST SYSTEM FOR 1995–'09 FL MODELS — 1995–'03, 2007 FL MODELS — CA EMISSIONS LEGAL<sup>††</sup>

Finish	Part #	MSRP
Chrome with Black Highlighted Machined Endcap	550-0776	\$849.95
Black with Black Highlighted Machined Endcap	550-0777	\$879.95

<sup>††</sup>DISCLAIMER: NOT LEGAL FOR SALE OR USE IN CALIFORNIA ON ANY POLLUTION CONTROLLED MOTOR VEHICLE. Not legal for sale or use on EPA pollution controlled vehicles originally equipped with catalyst. Qualified manufacturer declared emissions replacement part on FL touring models listed below.

California Models:

Fuel Injected Non-CVO FL Touring Model Years: 1995-2003 and 2007

CVO FL Touring Model Years: 2000-2003

49 State Models:

Fuel Injected Non-CVO FL Touring Model Years: 1995-2005 and 2007-2009

CVO FL Touring Model Years: 2000-2005

WARNING: Cancer and Reproductive Harm – [www.P65Warnings.ca.gov](http://www.P65Warnings.ca.gov)



REPLACEMENT PARTS: [SEE 242](#)



# SLASH CUT SLIP-ON MUFFLERS FOR DYNA® MODELS

## FITMENT

- 1995–2009 Dyna® models with staggered exhaust

## FEATURES AND BENEFITS

- Up to 16% more horsepower and 10% more torque (when used with Stealth Air Cleaner Kit)
- Wake up your bike without breaking your budget
- Classic slash cut styling
- Show chrome or ceramic black finish
- SAE J2825 Sound Level Compliant
- 50-state legal
- Removable dB reducer
- Made in USA!



Removable dB reducer



### SLASH CUT MUFFLERS FOR 1995–2009 DYNA® MODELS WITH STAGGERED EXHAUST

Finish	Part #	MSRP
Chrome	<b>550-0718</b>	\$299.95
Black	<b>550-0720</b>	\$324.95

DISCLAIMER: NOT LEGAL FOR SALE OR USE IN CALIFORNIA ON ANY POLLUTION CONTROLLED MOTOR VEHICLES. Not legal for sale or use on EPA pollution controlled motorcycles originally equipped with mufflers containing catalyst.

\*Qualified Manufacturer Declared Emissions Replacement Part on the Dyna Models Listed Below.

California Models: MY 2006–2007, Except CVO models

49 State Models: MY 1995–2009, Except CVO models†

WARNING: Cancer and Reproductive Harm – www.P65Warnings.ca.gov

**REPLACEMENT PARTS: SEE PAGE 240**

# GRAND NATIONAL® SLIP-ON MUFFLERS FOR DYNA® MODELS

## FITMENT

- 1995–2009 Dyna® models with staggered exhaust

## FEATURES AND BENEFITS

- Up to 17% more horsepower and 9% more torque (when used with Stealth Air Cleaner Kit)
- Race inspired Grand National endcaps
- Show chrome or ceramic black finish
- Deep performance rumble
- SAE J2825 Sound Level Compliant
- 50-state legal
- Removable dB reducer
- Made in USA!



Removable dB reducer



### GRAND NATIONAL® MUFFLERS FOR 1995–2009 DYNA® MODELS WITH STAGGERED EXHAUST

Finish	Part #	MSRP
Chrome	550-0719	\$399.95
Black	550-0721	\$439.95

DISCLAIMER: NOT LEGAL FOR SALE OR USE IN CALIFORNIA ON ANY POLLUTION CONTROLLED MOTOR VEHICLES. Not legal for sale or use on EPA pollution controlled motorcycles originally equipped with mufflers containing catalyst.

\*Qualified Manufacturer Declared Emissions Replacement Part on the Dyna Models Listed Below.

California Models: MY 2006–2007, Except CVO models

49 State Models: MY 1995–2009, Except CVO models

⚠️ WARNING: Cancer and Reproductive Harm – www.P65Warnings.ca.gov

REPLACEMENT PARTS: **SEE PAGE 241**

# SLASH CUT 4" SLIP-ON MUFFLERS

## FITMENT

- 1995–2016 Harley-Davidson® touring models with non-catalyst mufflers

## FEATURES AND BENEFITS

- Available in show chrome or ceramic black finish
- Show quality chrome or ceramic black finish
- Economical price
- High flow baffle
- Aggressive sound & excellent HP
- Excellent clearance on trike models
- SAE J2825 Sound Level Compliant
- Removable dB reducer
- Made in USA!



Removable dB reducer

## SLASH CUT 4" TOURING MUFFLERS FOR 1995–2016 BIG TWINS

Finish	Part #	MSRP
Chrome	550-0691	\$459.95
Black	550-0692	\$499.95

DISCLAIMER: NOT LEGAL FOR SALE OR USE IN CALIFORNIA ON ANY POLLUTION CONTROLLED MOTOR VEHICLES. Not legal for sale or use on EPA pollution controlled motorcycles originally equipped with mufflers containing catalyst.

\*Qualified Manufacturer Declared Emissions Replacement Part on the FL Touring Models Listed Below.

California FL Touring Models:

Fuel Injected MY 1995–2003, 2007, and 2009–2016;

CVO MY 2000–2003, and 2009–2016

49 State FL touring Models:

Carbureted MY 1995–2005;

Fuel Injected MY 1995–2005, and 2007–2016;

CVO MY 2000–2005, and 2009–2016

⚠ WARNING: Cancer and Reproductive Harm – www.P65Warnings.ca.gov

REPLACEMENT PARTS: SEE PAGE 239

1999–2006 Big Twins

# GRAND NATIONAL® 4" SLIP-ON MUFFLERS

## FITMENT

- 1995–2016 Harley-Davidson® touring models with non-catalyst mufflers

## FEATURES AND BENEFITS

- Available in show chrome or ceramic black finish
- Show quality chrome or ceramic black finish
- Economical price
- High flow baffle
- Aggressive sound & excellent HP
- Excellent clearance on trike models
- SAE J2825 Sound Level Compliant
- Removable dB reducer
- Made in USA!



Removable dB reducer

## GRAND NATIONAL® 4" MUFFLERS FOR 1995–2016 BIG TWINS

Finish	Part #	MSRP
Chrome	550-0689	\$499.95
Black	550-0690	\$539.95

DISCLAIMER: NOT LEGAL FOR SALE OR USE IN CALIFORNIA ON ANY POLLUTION CONTROLLED MOTOR VEHICLES. Not legal for sale or use on EPA pollution controlled motorcycles originally equipped with mufflers containing catalyst.

\*Qualified Manufacturer Declared Emissions Replacement Part on the FL Touring Models Listed Below.

California FL Touring Models:

Fuel Injected MY 1995-2003, 2007, and 2009-2016;

CVO MY 2000-2003, and 2009-2016

49 State FL touring Models:

Carbureted MY 1995-2005;

Fuel Injected MY 1995-2005, and 2007-2016;

CVO MY 2000-2005, and 2009-2016

⚠️ WARNING: Cancer and Reproductive Harm – [www.P65Warnings.ca.gov](http://www.P65Warnings.ca.gov)

# Grand National

REPLACEMENT PARTS: [SEE PAGE 239](#)

# Mk45 TOURING MUFFLERS

Mk45 4.5" Touring Mufflers are the result of decades of riding, racing and tuning. Combining both a stainless steel baffle and fiberglass packing, they create a deep rumble and improved horsepower and torque, all while adding a unique look with styled aluminum endcaps.

## FITMENT

- 1995–2016 touring models

## FEATURES AND BENEFITS

- 7 horsepower gain\*
- Bold 4.5" design — with stainless steel baffle and RaceTEX cartridge packing
- Available in show quality chrome or ceramic black finish
- Choose from S&S® Thruster or Tracer end-cap designs in chrome or black
- SAE J2825 Sound Level Compliant
- 50-state legal
- Removable dB reducer
- Made in USA!

\*Tested with S&S Power Tune® Dual Header and Stealth Air Cleaner Kit



Removable dB reducer

### MK45 4.5" TOURING MUFFLERS W/ENDCAPS

Muffler Body Finish	Endcap Finish & Style	Part #	MSRP
Chrome	Chrome Thruster	<b>550-0620</b>	\$699.95
	Black Highlight Machined Thruster	<b>550-0619</b>	\$699.95
	Chrome Tracer	<b>550-0624</b>	\$699.95
	Black Highlight Machined Tracer	<b>550-0623</b>	\$699.95
Ceramic black	Chrome Thruster	<b>550-0622</b>	\$769.95
	Black Highlight Machined Thruster	<b>550-0621</b>	\$739.95
	Chrome Tracer	<b>550-0626</b>	\$769.95
	Black Highlight Machined Tracer	<b>550-0625</b>	\$739.95

DISCLAIMER: NOT LEGAL FOR SALE OR USE IN CALIFORNIA ON ANY POLLUTION CONTROLLED MOTOR VEHICLES. Not legal for sale or use on EPA pollution controlled motorcycles originally equipped with mufflers containing catalyst.

\*Qualified Manufacturer Declared Emissions Replacement Part on the FL Touring Models Listed Below.

California FL Touring Models:

Fuel Injected MY 1995–2003, 2007, and 2009–2016;

CVO MY 2000–2003, and 2009–2016

49 State FL touring Models:

Carbureted MY 1995–2005;

Fuel Injected MY 1995–2005, and 2007–2016;

CVO MY 2000–2005, and 2009–2016

⚠️ WARNING: Cancer and Reproductive Harm – www.P65Warnings.ca.gov



550-0620±



550-0619±



550-0624±



550-0623±



550-0622±



550-0621



550-0626±



550-0625

REPLACEMENT PARTS: SEE PAGE 238

# POWER TUNE® DUAL HEADERS

## FITMENT

- Non-catalyst equipped Harley-Davidson® touring models‡
- 1995–'08 touring big twins

## FEATURES AND BENEFITS

- Adds 8 horsepower over stock header pipes
- Independent dual look with hidden crossover
- Exclusive design moves the rear cylinder header away from the passenger to reduce radiated heat
- Full chrome or ceramic black heat shielding with 220° coverage
- Updated styling to give the bike a modern look
- Oxygen sensor bungs\*
- Spherical inlet design for improved sealing and exhaust gasket durability
- Hardware included to mount crossover pipe
- Exhaust port gaskets included
- Made in the U.S.A.



550-0003A



550-0142A

**REPLACEMENT PARTS: SEE PAGE 244**

## POWER TUNE® DUAL HEADERS

Fitment	Finish	Part #	MSRP
1995–'08* big twins	Chrome	<b>550-0003A</b>	\$549.95
	Black	<b>550-0142A</b>	\$649.95

\*Has 18mm sensor fittings in the stock locations for 2007–'08 bikes. If not equipped with oxygen sensors, the ports can be used for tuning. Plugs are included if ports are not used.

DISCLAIMER: NOT LEGAL FOR SALE OR USE IN CALIFORNIA ON ANY POLLUTION CONTROLLED MOTOR VEHICLE. Not legal for sale or use on EPA pollution controlled vehicles originally equipped with catalyst.

\*Qualified manufacturer declared emissions replacement part on FL touring models listed below.

California Models:

FL Touring Fuel Injected MY 1995–2003, and 2007

CVO FL Touring MY 2000–2003

49 State Models:

FL Touring Carbureted MY 1995–2005

FL Touring Fuel Injected MY 1995–2005 and 2007–2008

CVO FL Touring MY 2000–2005

⚠️ WARNING: Cancer and Reproductive Harm – [www.P65Warnings.ca.gov](http://www.P65Warnings.ca.gov)

## SPECIAL NOTES

It may be necessary to re-jet the carburetor or recalibrate the fuel injection system for best performance when a change is made in the exhaust system.

Dyno results are from tests performed at the S&S® Research and Development facility in Viola, Wisconsin.



# STEALTH TEARDROP AIR CLEANER KITS



## FEATURES AND BENEFITS

- Iconic look
- Same size as the original
- Traditional dimpled cover with S&S stinger on the inside creates smooth path for air
- Gloss black or chrome
- Well-known S&S Cycle Stealth kit for great performance and easy install
- Backplate has air horn style radiused inlet to reduce turbulence
- Slasher style available as cover



### STEALTH TEARDROP AIR CLEANER KITS Exempt from emissions tampering regulations under CARB EO# D-355-24

Fitment	Fuel System	Finish	Part #	MSRP
2001–'17 big twin (except 2017 touring models & Throttle by Wire) Includes Stealth AC Kit 170-0300B	Stock EFI, Delphi® EFI	Chrome	170-0528±	\$304.95
		Gloss Black	170-0529	\$304.95

± ⚠️ WARNING: Cancer and Reproductive Harm – www.P65Warnings.ca.gov

### STEALTH TEARDROP COVER ONLY

Chrome	170-0530	\$167.95
Gloss Black	170-0531	\$167.95
Slasher – Chrome	170-0532	\$177.95
Slasher – Gloss Black	170-0533	\$177.95

REPLACEMENT PARTS: SEE PAGE 223

# CARBON FIBER STEALTH AIR CLEANER KITS



## FEATURES & BENEFITS

- Strong and lightweight
- Corrosion resistance
- Simple installation
- Also available as cover only



**CARBON FIBER TEARDROP COVER ONLY** | 170-0501 | \$299.95

### CARBON FIBER TEARDROP KIT



Fitment	Part #	MSRP
2001–'17 bt (except Throttle by Wire)	170-0499	\$469.95

Includes Stealth Air Cleaner 170-0300B which is exempt from emissions tampering regulations under CARB EO# D-355-24 when used on 2001-2017 fuel injected models

Milwaukee Eight™  
2007-2017 Twin Cam 96°/103°/110°  
1999-2006 Twin Cam 88°  
1986-2019 Sportster® & Buell®  
2014-2019 Street & Street Rod™  
1984-1999 Evolution®  
1926-1984 Vintage Engines  
Indian® & Victory® Models  
Tools & Shop Supplies  
Apparel  
Warranty & Company Policy  
Appendix & Index

# STEALTH AIR CLEANER KITS

**NEW STEALTH TEARDROP KITS**  
SEE PAGE 151

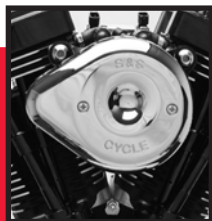


**FITMENT**

- 1999–2006 big twins

**FEATURES AND BENEFITS**

- Air directional stinger cone in the filter
- Use with any of several S&S designed covers. See page 154
- High flow (1" taller) filter kit available



**MINI TEARDROP PLUS STEALTH AIR CLEANER KITS**

Kit includes Stealth Air Cleaner 170-0300B which is exempt from emissions tampering regulations under CARB EO# D-355-24.

Fitment	Fuel System	Finish	Part #	MSRP
2001–'17 big twin (except 2017 touring models & Throttle By Wire) Includes Stealth AC Kit 170-0300	Stock EFI, Delphi® EFI	Chrome	<b>170-0441</b> ±	\$304.95
		Gloss Black	<b>170-0442</b>	\$304.95

± ⚠️ WARNING: Cancer and Reproductive Harm – www.P65Warnings.ca.gov



**AIR 1 COVER PLUS STEALTH AIR CLEANER KIT** Exempt from emissions tampering regulations under CARB EO# D-355-24

Application	Fuel System	Part #	MSRP
2001–'17 big twin (except 2017 touring models & Throttle By Wire) Includes Stealth AC Kit 170-0300B	Stock EFI Delphi®	<b>170-0478</b>	\$304.95



**TRI-SPOKE COVER PLUS STEALTH AIR CLEANER KIT** Exempt from emissions tampering regulations under CARB EO# D-355-24

Application	Fuel System	Part #	MSRP
2001–'17 big twin (except 2017 touring models & Throttle By Wire) Includes Stealth AC Kit 170-0300B	Stock EFI Delphi®	<b>170-0476</b>	\$304.95



**TORKER COVER PLUS STEALTH AIR CLEANER KIT** Exempt from emissions tampering regulations under CARB EO# D-355-24

Application	Fuel System	Part #	MSRP
2001–'17 big twin (except 2017 touring models & Throttle By Wire) Includes Stealth AC Kit 170-0300B	Stock EFI Delphi®	<b>170-0477</b>	\$304.95



**AIRSTREAM COVER PLUS STEALTH AIR CLEANER KIT** Exempt from emissions tampering regulations under CARB EO# D-355-24

Application	Fuel System	Finish	Part #	MSRP
2001–'17 big twin (except 2017 touring models & Throttle By Wire) Includes Stealth AC Kit 170-0300B	Stock EFI Delphi®	Chrome	<b>170-0479</b> ±	\$304.95
		Gloss Black	<b>170-0480</b>	\$304.95

± ⚠️ WARNING: Cancer and Reproductive Harm – www.P65Warnings.ca.gov



**MUSCLE COVER PLUS STEALTH AIR CLEANER KIT** Exempt from emissions tampering regulations under CARB EO# D-355-24

Application	Fuel System	Finish	Part #	MSRP
2001–'17 big twin (except 2017 touring models & Throttle By Wire) Includes Stealth AC Kit 170-0300B	Stock EFI Delphi®	Chrome	<b>170-0481</b> ±	\$314.95
		Gloss Black	<b>170-0482</b>	\$314.95

± ⚠️ WARNING: Cancer and Reproductive Harm – www.P65Warnings.ca.gov



**STEALTH AIR CLEANER KITS\* — NO COVER** Exempt from emissions tampering regulations under CARB EO# D-355-24

Application	Fuel System	Part #	MSRP
2001–'17 big twin (except 2017 touring models, Throttle By Wire, & CVO® Models)	Stock EFI Delphi®	<b>170-0300B</b>	\$157.95

Choose an S&S Cover (see page 154)



# CON'T STEALTH AIR CLEANER KITS

## NOTES

Fuel injection tuning is not required with this product but is highly recommended for best results.

**SEE PAGE 320 FOR '99 SOFTTAIL® CARB & THROTTLE BY WIRE OPTIONS**



### AIRSTREAM COVER IN CHROME PLUS STEALTH AIR CLEANER KIT<sup>±</sup>

Application	Fuel System	Part #	MSRP
1999–'06 big twins (except '99 Softail® carb & Throttle by Wire)	Stock CV/EFI Delphi®	<b>170-0056</b>	\$304.95
1999–'06 big twins	S&S Super E & G Carbs	<b>170-0063</b>	\$304.95

DISCLAIMER: NOT LEGAL FOR SALE OR USE IN CALIFORNIA ON ANY POLLUTION CONTROLLED MOTOR VEHICLE. Not legal for sale or use on any EPA pollution controlled motor vehicle.

± WARNING: Cancer and Reproductive Harm – www.P65Warnings.ca.gov



### MUSCLE COVER IN CHROME PLUS STEALTH AIR CLEANER KIT<sup>±</sup>

Application	Fuel System	Part #	MSRP
1999–'06 big twins (except '99 Softail® carb & Throttle by Wire)	Stock CV/EFI Delphi®	<b>170-0106</b>	\$314.95
1999–'06 big twins	S&S Super E & G Carbs	<b>170-0112</b>	\$314.95

DISCLAIMER: NOT LEGAL FOR SALE OR USE IN CALIFORNIA ON ANY POLLUTION CONTROLLED MOTOR VEHICLE. Not legal for sale or use on any EPA pollution controlled motor vehicle.

± WARNING: Cancer and Reproductive Harm – www.P65Warnings.ca.gov



### BOBBER-DISHED COVER PLUS STEALTH AIR CLEANER KIT<sup>±</sup>

Application	Fuel System	Part #	MSRP
1999–'06 big twins (except '99 Softail® carb & Throttle by Wire)	Stock CV/EFI Delphi®	<b>170-0104</b>	\$272.95
1999–'06 big twins	S&S Super E & G Carbs	<b>170-0110</b>	\$272.95

DISCLAIMER: NOT LEGAL FOR SALE OR USE IN CALIFORNIA ON ANY POLLUTION CONTROLLED MOTOR VEHICLE. Not legal for sale or use on any EPA pollution controlled motor vehicle.

± WARNING: Cancer and Reproductive Harm – www.P65Warnings.ca.gov



### BOBBER-DOMED COVER PLUS STEALTH AIR CLEANER KIT<sup>±</sup>

Application	Fuel System	Part #	MSRP
1999–'06 big twins (except '99 Softail® carb & Throttle by Wire)	Stock CV/EFI Delphi®	<b>170-0105</b>	\$272.95
1999–'06 big twins	S&S Super E & G Carbs	<b>170-0111</b>	\$272.95

DISCLAIMER: NOT LEGAL FOR SALE OR USE IN CALIFORNIA ON ANY POLLUTION CONTROLLED MOTOR VEHICLE. Not legal for sale or use on any EPA pollution controlled motor vehicle.

± WARNING: Cancer and Reproductive Harm – www.P65Warnings.ca.gov

### STEALTH AIR CLEANER KITS\* — NO COVER

Application	Fuel System	Part #	MSRP
1999–'06 big twins (except '99 Softail® carb & Throttle by Wire)	Stock CV/EFI Delphi®	<b>170-0060</b>	\$157.95
1999–'06 big twins	S&S Super E & G Carbs	<b>170-0058</b>	\$157.95

\*These kits do not contain covers –Choose an S&S Cover (see page 154)

DISCLAIMER: NOT LEGAL FOR SALE OR USE IN CALIFORNIA ON ANY POLLUTION CONTROLLED MOTOR VEHICLE. Not legal for sale or use on any EPA pollution controlled motor vehicle.



**REPLACEMENT PARTS: SEE PAGE 223**

# STEALTH AIR CLEANER KITS FOR S&S ENGINES

## STEALTH AIR CLEANER KITS FOR S&S ENGINES

Fitment	Fuel System	Part #	MSRP
2008–'17 big twins (except '17 touring models) with T-Series engines	S&S 66mm Throttle Hog	<b>170-0165</b>	\$167.95
2008–'17 big twins (except '17 touring models) with T-Series engines	S&S 58mm Throttle Hog	<b>170-0164</b>	\$167.95
1995–1999 S&S Super Stock Engines	S&S Single Bore VFI 52mm Throttle Bodies	<b>170-0287</b>	\$209.95
1995–1999 EFI big twins	S&S Single Bore VFI 58mm Throttle Bodies	<b>170-0283</b>	\$209.95
1999–2017 EFI big twins	S&S Single Bore VFI 58mm Throttle Bodies	<b>170-0284</b>	\$209.95
T124 1999–'06 bt (except '06 Dyna®) (Engines produced after 2013)	S&S E or G Carburetor	<b>170-0058</b>	\$157.95
T124 1999–'06 bt (except '06 Dyna®) (Engines produced after 2013)	Stock CV/EFI Delphi®	<b>170-0060</b>	\$157.95
T111 1999–'06 bt (except '06 Dyna®) (Engines produced after 2013)	S&S E or G Carburetor	<b>170-0058</b>	\$157.95
T111 1999–'06 bt (except '06 Dyna®) (Engines produced after 2013)	Stock CV/EFI Delphi®	<b>170-0060</b>	\$157.95

DISCLAIMER: NOT LEGAL FOR SALE OR USE IN CALIFORNIA ON ANY POLLUTION CONTROLLED MOTOR VEHICLE. Not legal for sale or use on any EPA pollution controlled motor vehicle.

# STEALTH AIR CLEANER KIT COVERS

NEW STEALTH TEARDROP COVERS SEE PAGE 151



Carbon Fiber



Mini in Chrome



Mini in Gloss Black



Tri-Spoke



Torker



Air 1



Airstream in Chrome



Airstream in Gloss Black



Muscle in Chrome



Muscle in Gloss Black



Bobber-dished



111



124



143

## STEALTH COVERS

Carbon Fiber	Mini		Tri-Spoke	Torker	Air 1	Bobber-Dished	
Black	Chrome	Gloss Black	Gloss Black w/Highlights	Gloss Black w/Highlights	Gloss Black w/Highlights	Chrome	Wrinkle Black
<b>170-0501</b>	<b>170-0367±</b>	<b>170-0366</b>	<b>170-0210</b>	<b>170-0206</b>	<b>170-0214</b>	<b>170-0119±</b>	<b>170-0123</b>
\$299.95	\$167.95	\$167.95	\$157.95	\$157.95	\$157.95	\$125.95	\$125.95

Airstream		Muscle		Displacement			Bobber-Domed	
Chrome	Gloss Black	Chrome	Gloss Black with Highlighted Logo	111	124	143	Chrome	Wrinkle Black
<b>170-0118±</b>	<b>170-0396</b>	<b>170-0121±</b>	<b>170-0463</b>	<b>170-0319</b>	<b>170-0321</b>	<b>170-0323</b>	<b>170-0120±</b>	<b>170-0124</b>
\$157.95	\$157.95	\$178.95	\$178.95	\$171.95	\$171.95	\$171.95	\$125.95	\$125.95

± ⚠️ WARNING: Cancer and Reproductive Harm – www.P65Warnings.ca.gov

# SINGLE BORE TUNED INDUCTION SYSTEM


## FITMENT

- 1999–'06 stock CV carbureted big twins (except 1999–'06 FXDWG/FXD35)
- 2001–'06 Delphi® EFI big twins

## FEATURES AND BENEFITS

- Bolt-on performance—over twice the filtering area over stock intake system
- Increases horsepower and torque across the rpm range using air column inertia and carefully timed gas dynamic pressure waves
- Smooth intake tract of carefully selected tuned lengths increases performance
- High flow washable and reusable cotton media provides performance, protection, and economy
- Available in wrinkle black, chrome, or natural





**SINGLE BORE TUNED INDUCTION SYSTEM KITS<sup>±</sup>** Exempt from emissions tampering regulations under CARB EO# D-355-24

Fitment	Fuel System	Finish	Part #	MSRP
2001–'17 big twin <i>(except 2017 touring models, Throttle By Wire, &amp; CVO® Models)</i>	Stock EFI Delphi®	Chrome/Red Filters	<b>170-0308B</b>	\$629.95

<sup>±</sup> WARNING: Cancer and Reproductive Harm — [www.P65Warnings.ca.gov](http://www.P65Warnings.ca.gov)

## SINGLE BORE TUNED INDUCTION SYSTEM KITS<sup>±</sup>

Fitment	Fuel Delivery	Finish	Part #	MSRP
1999–'06 big twin models <i>(except 1999–'06 FXDWG/FXD35) and S&amp;S engines w/stock head breathing</i>	S&S Single Bore EFI	Chrome Runner and Red Filters	<b>170-0085</b>	\$629.95
	S&S Super E/G		<b>170-0086</b>	\$629.95
1984–'06 Carbureted big twin models	Stock	Chrome Runner and Red Filters	<b>170-0087</b>	\$629.95
4 1/8" bore S&S T-Series (S&S bolt pattern w/vacuum breathing)	S&S Single Bore EFI	Chrome Runner and Red Filters	<b>170-0083</b>	\$629.95
	S&S Super E/G		<b>170-0084</b>	\$629.95
<b>CTO</b>	Specify	Specify	<b>106-5337</b>	Call for Pricing

Use the Configure to Order (CTO) part number to order different finish and filter color.

\*DISCLAIMER: NOT LEGAL FOR SALE OR USE IN CALIFORNIA ON ANY POLLUTION CONTROLLED MOTOR VEHICLE. Not legal for sale or use on any EPA pollution controlled motor vehicle.

<sup>±</sup> WARNING: Cancer and Reproductive Harm — [www.P65Warnings.ca.gov](http://www.P65Warnings.ca.gov)

## NOTES

Single bore tuned induction will not fit on motorcycles equipped with fairing lower glove boxes.

Fuel injection tuning is not required with this product but is highly recommended for best results.

**REPLACEMENT PARTS: SEE PAGE 224**

# CLASSIC TEARDROP AIR CLEANER KIT

## FEATURES AND BENEFITS

- Efficient and free flowing intake that can add two to five horsepower
- Uniquely designed Backplate has air horn style radiused entryway to reduce turbulence
- Dimpled cover with directional air cone on inside creates smooth path for air
- Great addition to performance exhaust or cams

## KIT CONTENTS

- Filter
- Backing plate and cover
- All mounting hardware
- Instructions



### CLASSIC TEARDROP AIR CLEANER KITS FOR STOCK EFI Exempt from emissions tampering regulations under CARB EO# D-355-24



Fitment	Fuel System	Finish	Stock EFI, With 96 & 103 Engines	MSRP
2001–'17 big twin (except 2017 touring models, Throttle By Wire, & CVO® Models)	Stock EFI Delphi®	Chrome	<b>170-0303B±</b>	\$263.95
		Gloss Black	<b>170-0304B</b>	\$263.95

± WARNING: Cancer and Reproductive Harm – www.P65Warnings.ca.gov

### CLASSIC TEARDROP AIR CLEANER KITS

Fitment	Finish	Stock Carb	MSRP	S&S® Super E/G	MSRP
S&S 4 1/8" Bore Engines w/vacuum breathing	Slasher/Chrome	–	–	<b>17-0416±</b>	\$263.95
1993–'06 carbureted big twins	Chrome	<b>17-0450±</b>	\$263.95	<b>17-0403±</b>	\$263.95
	Gloss Black	<b>170-0181A</b>	\$277.95	–	–

DISCLAIMER: NOT LEGAL FOR SALE OR USE IN CALIFORNIA ON ANY POLLUTION CONTROLLED MOTOR VEHICLE. Not legal for sale or use on any EPA pollution controlled motor vehicle.

± WARNING: Cancer and Reproductive Harm – www.P65Warnings.ca.gov

### CLASSIC TEARDROP AIR CLEANER KITS FOR S&S SINGLE BORE EFI THROTTLE BODIES±

Fitment	Style/Finish	52mm	MSRP	58mm	MSRP
Stock Harley-Davidson® heads or S&S Heads for stock or 4" bore head breathing	Teardrop/Chrome	<b>17-0498</b>	\$263.95	<b>106-4669</b>	\$256.95
S&S Heads for 4 1/8" bore vacuum breathing	Teardrop/Chrome	–	–	<b>106-4668</b>	\$256.95

DISCLAIMER: NOT LEGAL FOR SALE OR USE IN CALIFORNIA ON ANY POLLUTION CONTROLLED MOTOR VEHICLE. Not legal for sale or use on any EPA pollution controlled motor vehicle.

± WARNING: Cancer and Reproductive Harm – www.P65Warnings.ca.gov



### TEARDROP AIR CLEANER COVERS

Style	Finish	Part #	MSRP
Mini	Chrome	<b>170-0367±</b>	\$167.95
	Gloss Black	<b>170-0366</b>	\$167.95
Classic Teardrop	Chrome	<b>17-0378±</b>	\$158.95
	Gloss Black	<b>170-0384A</b>	\$158.95
Slasher Teardrop	Chrome	<b>17-0004±</b>	\$158.95
	Gloss Black	<b>170-0419</b>	\$157.95
Nostalgic Teardrop	Polished	<b>17-0071</b>	\$183.95

± WARNING: Cancer and Reproductive Harm – www.P65Warnings.ca.gov

**REPLACEMENT PARTS STARTING ON PAGE 226**

# PRE-FILTERS

## FITMENT

- S&S® Stealth Air Filters

## FEATURES AND BENEFITS

- Water resistant
- Prevents large debris from prematurely clogging filter
- Washable Nylon
- Promotes longer filter life
- Reduces the risk of water entering air intake system

### PRE-FILTERS

Application	Part #	MSRP
Standard	<b>170-0193</b>	\$41.95
1" Tall	<b>170-0197</b>	\$41.95



# HIGH FLOW AIR FILTER KITS

## FITMENT

- S&S Classic Teardrop air cleaners for Super E & G carbs and S&S EFI throttle bodies

## FEATURES AND BENEFITS

- Low restriction filter element comes pre-oiled for true plug and play installation
- 1" wider filtration area provides up to 37% more airflow over standard S&S filters
- Resulting band of exposed filter material imparts a high performance look

## KIT CONTENTS

- Wide filter
- Filter spacers

### HIGH FLOW AIR FILTERS

Description	Fitment	Part #	MSRP
High Flow Air Filter Kit <i>(includes spacers)</i>	Classic Teardrop	<b>17-0045</b>	\$58.95
	Stealth, 1" Taller	<b>170-0127*</b>	\$71.95
1" Taller Filter Only	Classic Teardrop	<b>106-4724</b>	\$25.95
	Stealth	<b>170-0154</b>	\$46.95
Spacer	Classic Teardrop & Stealth, 1" Taller	<b>50-5009-S</b>	\$13.95

\*DISCLAIMER: NOT LEGAL FOR SALE OR USE IN CALIFORNIA ON ANY POLLUTION CONTROLLED MOTOR VEHICLE. Not legal for sale or use on any EPA pollution controlled motor vehicle.



170-0127



17-0045

# STANDARD REPLACEMENT FILTERS

## STANDARD REPLACEMENT AIR FILTERS

Description	Fitment	Part #	MSRP
Standard Filter Only	Classic Teardrop	<b>106-4722</b>	\$23.95
	Stealth	<b>170-0126</b>	\$42.95

# PERFORMANCE KIT OVERVIEW

## FOR HARLEY-DAVIDSON® TWIN CAM 88®



### 4" BORE BOLT-IN SIDEWINDER® BIG BORE KIT

S&S 4" big bore cylinder and piston kits boost 88 and 96/103" Harley-Davidson® big twin engines to 100" and 110" respectively. These bolt-in kits don't require any machining, rebalancing or engine removal, and include just about everything you'll need to complete the installation. The biggest cylinder bore that can be installed in a stock crankcase without machining! [SEE PAGE 159](#)



### 124" HOT SET UP KIT

Move to the ultimate in performance packages! Increase your bore to 4 3/8" and stroke to 4 1/2" to realize a massive 124 cubic inches of pure performance. This kit includes flywheel assembly, cylinders and pistons, S&S Easy Start 640 lift chain drive camshafts, hydraulic lifters, pushrods, covers, valve springs and rocker arms. Comes complete with all gaskets and instructions. CTO options give you even more choices. Crankcases require boring to accept the larger cylinder spigots. [SEE PAGE 160](#)



### 106" STROKER KIT

Stroke it! This performance package gives big displacement. The kit's flywheel assembly increases your stroke from 4 3/8" to a hefty 4 1/2" and bumps your 88" to 106". Oversize your stock cylinder bore from 3 3/4" to 3 7/8". No crankcase machining needed. Maintains stock engine height for easy installation.

[SEE PAGE 161](#)



### 98 & 97" BIG BORE KIT

Up the displacement of your Twin Cam® 88 to a whopping 98". This bolt-on cylinder kit adds significant displacement without any machining required to your engine. Stroke stays the same at 4.00". Bore increases from 3.750 to 3.937". This kit contains pistons, cylinders and all related parts, gaskets and instructions. [SEE PAGE 162](#)



### 95" HOT SET UP KIT

Looking to go further? Consider the Hot Set Up Kits. These kits will put some stride in your glide. Pushrods, covers and hydraulic lifters are all included. Select from a variety of cylinder heads to achieve the compression ratio you desire or keep your stock heads. Kits include S&S Easy Start 570 or 585 chain drive camshafts. [SEE PAGE 163](#)

PERFORMANCE KIT SPECIFICATIONS FOR HARLEY-DAVIDSON® TWIN CAM 88®													
KIT DESCRIPTION	BORE	STROKE	COMPRESSION RATIO								CAMSHAFT	HORSEPOWER	TORQUE
			Stock Heads	79cc	89cc	91cc	CNC Heads					(CNC Heads)	
							83cc	85cc	87cc	90cc			
124" Hot Set Up Kit	4 3/8"	4 1/2"	10.9:1	11.4:1*	11.1	10.8:1	11.6:1	11.4:1	11.2:1	10.9:1	640	127	130
106" Stroker Kit	3 7/8"	4 1/2"	10.1:1	10.7:1	9.7:1	9.6:1	10.3:1	10.1:1	9.9:1	9.7:1	585	109	115
98" Big Bore Kit	3.937"	4"	10.4:1	11.1:1	9.9:1	9.7:1	10.6:1	10.3:1	10.1:1	9.8:1	—		
97" Big Bore Kit	3.927"	4"	9.7:1	10.3:1	9.3:1	9.1:1	9.8:1	9.6:1	9.5:1	9.2:1	—	103	107
95" Hot Set Up Kit	3 7/8"	4"	9.7:1	10.3:1	9.4:1	9.2:1	9.9:1	9.7:1	9.5:1	9.3:1	570	103	107

\*Not Recommended

PERFORMANCE KIT CONTENTS, OPTIONS AND REQUIREMENTS FOR HARLEY-DAVIDSON® TWIN CAM 88®													
KIT DESCRIPTION	PACKAGE CONTENTS										MACHINING REQUIRED	CTO OPTIONS	REJETTING OR CALIBRATION CHANGE
	Flywheels	Cylinders	Pistons w/rings	Rocker Arms	Pushrods w/covers	Lifters	Camshafts	Valve Springs	Heads w/springs	Gaskets			
124" Hot Set Up Kit	●	●	●	●	●	●	●		0	●	3 4	5 6 7	●
106" Stroker Kit	●		1								2		●
98" Big Bore Kit		●	●							●			●
97" Big Bore Kit		●	●							●			●
95" Hot Set Up Kit		0	0 1		●	●	●		0	●	2	5 6 7	●

0 = Optional  
 1 = Order separately  
 2 = Bore & hone cylinders  
 3 = Crankcase machining for center stud  
 4 = Crankcase machining for cylinder spigots  
 5 = Camshaft selection  
 6 = CNC heads  
 7 = Combustion chamber size selection  
 8 = Cylinder & piston set available

\*The CTO option column lists only the major items offered. Virtually any option can be selected from our product offerings through the Configure To Order (CTO) program.

# 4" BORE BOLT-IN SIDEWINDER® BIG BORE KITS



S&S 4" big bore cylinder and piston kits boost 88" Harley-Davidson® big twin engines to 100". These bolt-in kits don't require any machining, rebalancing or engine removal, and include just about everything you'll need to complete the installation. The biggest cylinder bore that can be installed in a stock crankcase without machining!

## FEATURES & BENEFITS

- Bolts in. No machining, balancing, or splitting the crankcases
- 88 engines end up at 100"
- Complete kits include cylinders, pistons, gaskets, and instructions
- Choose from wrinkle black or silver powder coat cylinders – matches stock finish

## FITMENT

- 1999–2006 big twins

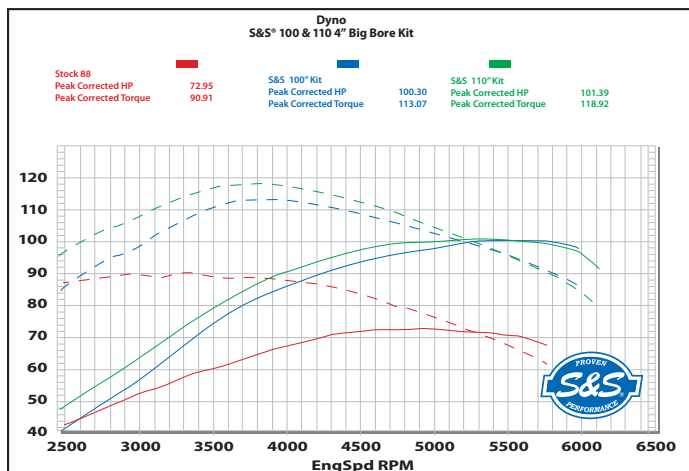
SPECS FOR S&S 4" BORE BOLT-IN CYLINDER & PISTON KITS									
Year	Stroke	Bore	Cylinder Length	Piston Type	Dome Volume	Compression Ratio			
						83cc CNC Heads	85cc Stock Heads	89cc S&S Heads	
1999–2006	4"	4.00"	4.937"	Forged	8.75 pop up	10.8:1	10.5:1	10.1:1	



## 4" BORE BOLT-IN SIDEWINDER® BIG BORE KITS

Displacement	Year	Stroke	Finish	Part #	MSRP
100	1999–2006 big twin	4"	Silver	<b>910-0642</b>	\$1,154.95
	1999–2006 big twin	4"	WBlack	<b>910-0646</b>	\$1,154.95

DISCLAIMER: NOT LEGAL FOR SALE OR USE IN CALIFORNIA ON ANY POLLUTION CONTROLLED MOTOR VEHICLE. Not legal for sale or use on any EPA pollution controlled motor vehicle.



These dyno results from our DynoJet® 250i chassis dynamometer clearly show the performance increases available with the S&S bolt-in 4 inch bore kits. The lowest (red) set of curves represents a stock 88 cid engine in a 2004 Harley-Davidson® FLHR Road King®. The next curves above the stock baseline (blue) shows the performance of the S&S 100" bolt-in big bore kit. The highest set of curves show the results from an S&S 110" big bore kit installed in a 96 cid engine. The engines with the S&S 100" and 110" kits were also set up with S&S S85 cams, Power Tune® headers, MK45 muffler, and the stock EFI throttle body with an S&S Stealth air cleaner.

## NOTES

Not for use with S&S 79cc Cylinder Heads

# 124" HOT SET UP KIT®

## FITMENT

- All big twin models



## FEATURES AND BENEFITS

- Huge displacement increase means huge power increase
- Stock crankcases, cylinder heads, oil pump, and cam cover can be reused, saving hundreds of dollars
- Original engine serial numbers are retained
- Gear drive S&S 640 Easy Start Cams included!
- Wrinkle black (WBlack) powder coat finish heads match factory finish, giving bike a "sleeper" advantage
- .045" MLS (multi-layered steel) head gaskets
- Adds .096" to engine height
- Kits with S&S heads use stock length manifolds (S&S size 410)

## OPTIONS

- Silver finish available through CTO

### S&S® 124" HOT SET UP KIT® SPECIFICATIONS

Year	Stroke	Displacement	Bore	Cylinder Length	PISTON TYPE/COMPRESSION RATIO		
					91cc S&S Heads	89cc S&S Heads	85cc Stock Heads
1999–'06	4 5/8"	124"	4 1/8"	5.013"	Flat top forged/10.8:1	Flat top forged/11:1	Forged, 10.9cc dish/10.4:1

*Cylinder w/piston kits include fitted pistons and cylinders that require no boring or honing.*



### 124" HOT SET UP KITS® FOR HARLEY-DAVIDSON® TWIN CAM 88®/88B™ ENGINES

(Kits include S&S® Super Stock® 91cc Cylinder Heads) (10.8:1 Compression)

Model or Engine Type	Finish	Part #	MSRP
1999–2006 Twin Cam 88 touring and Dyna® (except 2006 Dyna® models)*	WBlack	<b>900-0564</b>	\$5,143.95
2000–2006 Twin Cam 88B Softail® w/Balancer	WBlack	<b>900-0565</b>	\$5,143.95
<b>CTO</b> Other Finishes and Combinations Available Here	Specify	<b>106-5752</b>	Call for Pricing

*DISCLAIMER: NOT LEGAL FOR SALE OR USE IN CALIFORNIA ON ANY POLLUTION CONTROLLED MOTOR VEHICLE. Not legal for sale or use on any EPA pollution controlled motor vehicle. \*For 2006 Dyna® 124" Kits, see Section 2.*

## NOTES

Requires recalibration.

S&S Easy Start Cams save you money – no need to buy compression releases or S&S rocker covers. Note when using 1999-'06 chain drive cams: For lifts over .510", S&S strongly recommends that the stock chain drive be upgraded to the S&S gear drive or S&S TC3 oil pump and cam plate. This kit updates the problematic spring loaded chain tensioners to more reliable hydraulic tensioners and also upgrades the oil pump.

**Main Bearing Note:** S&S flywheel assemblies included in a 124" S&S Hot Set Up Kit® for 1999–'15 big twin engines are designed for use with Timken® sprocket shaft bearings. They will fit directly in stock 1999–'02 Harley-Davidson® crankcases and in all S&S crankcases for 1999–'15 big twin engines, with no modifications. However, stock 2003 and later engines use a roller type bearing for the sprocket shaft, and will require modification.

Due to the amount of power these engines produce with an S&S Hot Set Up Kit, S&S strongly recommends retrofitting 2003–'15 model crankcases to accept a Timken sprocket shaft bearing. A Timken conversion sleeve such as Screamin' Eagle® #34822-08 or Jim's® #956 may be used. A charging system spacer for 1999–'02 model year is also required.

This kit will require that the case be bored to accept the larger cylinders.

If you choose not to convert your crankcases to a Timken sprocket shaft bearing, S&S flywheels may be used in 2003 and later engines with the installation of the Harley-Davidson® bearing kit #24004-03B. This bearing kit adapts the S&S sprocket shaft to be compatible with stock roller type bearings. Verify that the bearing kit contains the 24604-00D or 24607-07 sprocket shaft bearing. Do not use a 24604-00, 24604-00A, 24604-00B or 24604-00C bearing. Please be advised that if this type of bearing is used, sprocket shaft bearing failure WILL NOT be covered under warranty.

Kits with S&S heads are machined special to compensate for engine height change to accommodate a stock length manifold. When using a kit with stock cylinder heads, S&S recommends using the appropriate length manifold. For a 124" with stock OEM cylinder heads, the standard manifold length is 417.

Center case bolt between cylinders will use waisted bolt kit 900-0807



# 106" STROKER KITS FOR USE WITH STOCK CYLINDERS

## FITMENT

- 1999–'06 big twins

## FEATURES AND BENEFITS

- Installation of the kit does not require any special machining, other than fitting the pistons
- S&S stroker pistons, which are sold separately, are available in all standard oversizes
- Stock 88" cylinders can be bored from 3¾" bore to 3⅞" to accommodate the S&S pistons, or a pre-fit S&S cylinder and piston kit may be installed
- Engines with factory 95" kits require piston fitting only—stock or S&S cylinder heads can be used
- Fuel injected engines will require recalibration of the fuel injection system—the S&S VFI modules and closed loop sensor kits are highly recommended
- Piston jets (p/n 31-2026) included
- Maintains stock engine height



320-0460

S&S® 106" STOCK BORE STROKER KITS FOR HARLEY-DAVIDSON® TWIN CAM 88® AND TWIN CAM 88B™ ENGINES SPECIFICATION CHART								
Displacement	Stroke	Bore	Compression Ratio*	Piston Type	Piston Deck Height	Cylinder Length	Application	Engine Life
106"	4½"	3⅞"	10.1:1	Flat Top	1.020"	4.937"	Trips	Very Good

\*Compression ratio with stock heads. Compression ratio with S&S 89cc heads 9.8:1. For additional compression use .030" MLS head gaskets- part #900-0605  
Includes S&S piston oiling jets

## 106" STROKER KITS FOR HARLEY-DAVIDSON® TWIN CAM 88® ENGINES WITH STOCK CYLINDERS

Engine Displacement	Stroke	Sprocket Bearing Race	1999–2006 HD® big twin models (except 2006 Dyna® models)				2006 HD® Dyna® models	
			TC 88®	MSRP	TC 88B™	MSRP		MSRP
S&S 106 Stroker	4½"	Yes	<b>320-0459</b>	\$1,487.95	<b>320-0453</b>	\$1,546.95	<b>320-0449</b>	\$1,546.95
		No	<b>320-0460</b>	\$1,458.95	<b>320-0454</b>	\$1,517.95	<b>320-0450</b>	\$1,517.95
Special Order	Specify	Specify	<b>329-0002</b>	Call for Pricing	<b>329-0002</b>	Call for Pricing	<b>329-0002</b>	Call for Pricing

Note - All S&S flywheel assemblies for 1999-'06 engines have connecting rods with 7.667" length and full width straight wristpin ends.

**! THESE KITS REQUIRE SPECIAL S&S PISTONS:** Order the required 92-1210 Series pistons. See chart.



### 92-1210 SERIES PISTONS FOR S&S® 106" STROKER KIT

Standard	MSRP	+ .005"	MSRP	+ .010"	MSRP	+ .020"	MSRP	CYLINDER & PISTON KIT*			
92-1210	\$440.95	92-1214	\$440.95	92-1211	\$440.95	92-1212	\$440.95	910-0199	MSRP	Black	MSRP
								\$1,049.95		<b>910-0203</b>	\$1,049.95

Piston Deck Height 1.020" \*Cylinder w/ piston kits include fitted pistons and cylinders that require no boring or honing.

Milwaukee  
Eight  
2007-2017  
Twin Cam  
96"/103"/110"  
1999-2006  
Twin Cam 88®  
1986-2019  
Sportster® & Buell®  
2014-2019  
Street® &  
Street Rod™  
1984-1999  
Evolution®  
1926-1984  
Vintage Engines  
Indian® &  
Victory® Models  
Tools  
& Shop Supplies  
Apparel  
Warranty &  
Company Policy  
Appendix  
& Index

# 98" BIG BORE KITS

## FITMENT

- 1999–2006 big twin

## FEATURES AND BENEFITS

- 3.937" bore
- Cylinder and piston kits make going to larger bore sizes easy – *no machining required*
- Stock engine height is maintained
- 11 fin cylinder design closely resembles OEM shape and come prefinished – *ready to install*
- Increased fin area for better heat dissipation
- Centrifugal cast, gray iron liner features 40,000 psi tensile strength – *superior wear and performance*
- CP Pistons are recognized as industry leaders, and provide exceptional wear, performance and noise characteristics

## KIT CONTENTS

- S&S cylinders with gaskets
- Piston set with rings, wristpins and wristpin clips

### S&S® 98" BIG BORE KIT SPECIFICATION CHART

Displacement	Stroke	Bore	Cylinder Length	Forged Piston Type	COMPRESSION RATIO (with provided .045" head gasket)		
					83cc CNC Ported Stock Heads	85cc Stock Heads	89cc S&S Heads
98"	4"	3.937"	4.937"	10cc Dome	10.6:1	10.4:1	9.9:1

*Cylinder w/ piston kits include pistons and cylinders that require no boring or honing.*



910-0481

### 98" BIG BORE KITS

Cylinder Finish	Part #	MSRP
Silver Powder coat	910-0482	\$1,102.95
Wrinkle Black Powder coat	910-0481	\$1,102.95

DISCLAIMER: NOT LEGAL FOR SALE OR USE IN CALIFORNIA ON ANY POLLUTION CONTROLLED MOTOR VEHICLE. Not legal for sale or use on any EPA pollution controlled motor vehicle..

## NOTES

Not for use with S&S 79cc Cylinder Heads

# 97" BIG BORE KITS

## FITMENT

- 1999–'06 big twins

## FEATURES AND BENEFITS

- No case machining required
- Bolt-on 9 to 10 cubic inches – cylinders do not require crankcase machining to install
- Piston weight for 97" kits are the same as stock, requiring no flywheel rebalancing
- Forged coated pistons are compatible with stock or S&S Super Stock® 79cc & 89cc heads
- Valve pocket recessed in S&S pistons are enlarged for oversize valves and higher lift cams
- Maintains stock engine height
- 11 fins and full fin pattern on cam side closely resembles OEM shape

## OPTIONS

- Oversize pistons available — see page 174

## KIT CONTENTS

- S&S cylinders with gaskets
- Piston set with rings

### S&S® 97" BIG BORE KITS SPECIFICATION CHART

Displacement	Stroke	Bore	Cylinder Length	Forged Piston Type	Compression Ratio			
					79cc S&S Heads	83cc CNC Ported Stock Heads	85cc Stock Heads	89cc S&S Heads
97"	4"	3.927"	4.937"	3cc Dome	10.3:1	9.9:1	9.7:1	9.3:1

*Cylinder w/ piston kits include fitted pistons and cylinders that require no boring or honing.*

DISCLAIMER: NOT LEGAL FOR SALE OR USE IN CALIFORNIA ON ANY POLLUTION CONTROLLED MOTOR VEHICLE. Not legal for sale or use on any EPA pollution controlled motor vehicle.



910-0205

### 97" BIG BORE KITS

Cylinder Finish	Part #	MSRP
Silver Powder coat	910-0201	\$997.95
WBlack Powder coat	910-0205	\$997.95

DISCLAIMER: NOT LEGAL FOR SALE OR USE IN CALIFORNIA ON ANY POLLUTION CONTROLLED MOTOR VEHICLE. Not legal for sale or use on any EPA pollution controlled motor vehicle.

## NOTES

S&S® highly recommends installing a performance cam for easier starting and better engine performance.

S&S high flow cylinder heads will provide further horsepower gains.

For an additional .2 bump in compression, order .030" thick head gaskets #900-0605 (2 pack). Remember to check your clearances.

These kits require tuning.

# 95" HOT SET UP KITS

## FITMENT

- 1999–'06 big twins

## FEATURES AND BENEFITS

- .045" MLS head gaskets standard
- Up to a 40 HP increase
- True bolt on kit, no machining required
- Maintains stock engine height
- Kits include S&S 570 or 585 Easy Start chain drive cams—depending on resultant compression ratio
- S&S pushrods are made of high strength chrome-moly tubing
- Valve pocket recesses in S&S pistons are enlarged for oversize valves and high lift cams



## S&S® 95" HOT SET UP KIT® SPECIFICATIONS

Displacement	Stock Stroke	Bore	Cylinder Length	Forged Piston Type	Compression Ratio			
					79cc S&S Heads	83cc CNC Ported Stock Heads	85cc Stock Heads	89cc S&S Heads
95"	4"	3 <sup>7</sup> / <sub>8</sub> "	4.937"	5.3cc pop-up dome	10.4:1	9.9:1	9.7:1	9.4:1

*Cylinder w/ piston kits include fitted pistons and cylinders that require no boring or honing.*

## 95" SUPER STOCK® HOT SET UP KITS® FOR 88" ENGINES

Includes S&S 3<sup>7</sup>/<sub>8</sub>" bore cylinders and pistons, 585 gear drive cams and 79cc heads

Application	WBlack	MSRP
1999–'06 (except 2006 Dyna® Models*)	<b>106-0214<sup>±</sup></b>	\$3,412.95

DISCLAIMER: NOT LEGAL FOR SALE OR USE IN CALIFORNIA ON ANY POLLUTION CONTROLLED MOTOR VEHICLE. Not legal for sale or use on any EPA pollution controlled motor vehicle.

<sup>±</sup> ⚠️ WARNING: Cancer and Reproductive Harm – www.P65Warnings.ca.gov

## NOTES

Fuel injected engines will require recalibration of the fuel injection system. The S&S VFI modules and closed loop sensor kits are highly recommended.

Stock cylinders must either be bored to 3<sup>7</sup>/<sub>8</sub>" or replaced with S&S® 3<sup>7</sup>/<sub>8</sub>" bore cylinders.

S&S recommends either CNC porting stock cylinder heads or purchasing Super Stock® heads to maximize the effect of higher lift cams. Stock cylinder heads will produce significantly less power. S&S can CNC port your heads, for an economical increase in power.

For 95" kits ordered without cylinders, pistons must be measured and cylinders bored/honed accordingly. Recommended piston fitment:

Close: 0.0020" – 0.0025"    Loose: 0.0032" – 0.0045"

92-1200 series pistons have a 1.270" deck height.

.030" MLS head gaskets optional: Part #900-0606

S&S Easy Start Cams can save you money – no need to buy compression releases or S&S rocker covers. Note when using 1999-'06 chain drive cams: For lifts over .510", S&S strongly recommends that the stock chain drive be upgraded to the S&S gear drive or S&S TC3 oil pump and cam plate. This kit updates the problematic spring loaded chain tensioners to more reliable hydraulic tensioners and also upgrades the oil pump.

## ENGINE OVERVIEW

S&S performance engines for 1999–'06 Harley-Davidson® big twins are available as long blocks which do not include fuel or ignition systems. Emissions compliant engines are complete. Engines are protected by super tough powder coat finishes. Available in silver and chrome, wrinkle black and chrome, Stone Grey and chrome, and Black Edition color schemes. Stone Grey matches the engine finish on CVO models. Black Edition is a wrinkle black engine with gloss black covers.

### **BLACK EDITION**

S&S Cycle's new Black Edition engines combine classic wrinkle black with high gloss black powder coated covers for a subtle contrast and elegant look while still producing the power and reliability you've come to expect.

### **T143 (143 cid)**

Now available for 1999–2006 chassis, the T143 long block engine is the largest (143 cid) S&S engine that will fit in a stock chassis. Available in silver, wrinkle black, or black edition finishes. Long blocks come without fuel or ignition systems (available separately) and an oil line installation kit is required. The 160 rear wheel horsepower also requires performance drive train upgrades. Not for the faint of heart!

### **T124 (124 cid)**

The S&S T124 long block engine has been our daily rider hot rod since 2004. The combination of day in and day out reliability and brutal power make it the perfect choice. Available in silver, wrinkle black, or black edition finishes. Long blocks come without fuel or ignition systems (available separately) and an oil line installation kit is required. Our Super G carburetors and Throttle Hog EFI throttle bodies are highly recommended.

### **T111 (111 cid)**

The S&S T111 long block is the ultimate sport touring engine. The shorter stroke provides a perfect combination of performance, engine life, quiet operation, and reduced vibration. Available in silver, wrinkle black, or black edition finishes. Long blocks come without fuel or ignition systems (available separately) and an oil line installation kit is required. Our Super E and G carburetors and Throttle Hog EFI throttle bodies are available to complete the package.



# T143 ENGINES

## The **BIGGEST, BADDEST, BOLT-IN** for a Stock Frame.

The S&S T143 Long Block engine is the largest S&S engine that will fit in a stock Harley-Davidson® chassis.

At double the HP of a stock motor the power of the T143 requires technical expertise for the installation and tuning along with an experienced rider. This is an ultra performance/race engine. Longevity, engine noise, vibration and throttle sensitivity have all been compromised to reach this level of performance while fitting in a stock chassis and as such is not suitable for every situation. It is the purchaser's responsibility to consider the suitability for their application. Engine noise and damage from abuse is not covered under warranty.

### FITMENT

- 1999–2006 Harley-Davidson® touring models
- 1999–2005 Harley-Davidson® Dyna® models

### FEATURES AND BENEFITS

- Fits in stock chassis – no cutting or frame modifications
- S&S B3 cylinder heads CNC machined with 2 bolt exhaust flanges
- 3 Piece Flywheels
- TC3 Oil Pump and Cam Plate
- S&S 635 Easy Start Gear Drive Cams and S&S 1.725:1 rocker arms for .674" total lift.
- S&S Premium High Performance Tappets

### SUGGESTED ACCESSORIES

- Stealth Air Cleaner Kit 143 Cover  
See page 154



110-0120



110-0119



170-0288

### T143 ENGINES WITHOUT FUEL AND IGNITION SYSTEMS

Chassis Style	Displacement	Bore	Stroke	Cam	Piston Type	Compression Ratio	Warranty Period	Finish	Part #	MSRP
1999–'06 touring models	143"	4.425"	4.625"	635	S&S Forged Flat Top	10.47:1	1 year	WBlack	<b>310-0737A</b>	\$10,047.95
1999–'05 Dyna® models								Silver	<b>310-0738A</b>	\$10,047.95
1999–2006 bt (except '06 Dyna®)								Black Edition	<b>310-0833A</b>	\$10,237.95

DISCLAIMER: FOR CLOSED COURSE COMPETITION USE ONLY. NOT INTENDED FOR STREET USE.  
LEGAL IN CALIFORNIA ONLY FOR RACING VEHICLES WHICH MAY NEVER BE USED, OR REGISTERED OR LICENSED FOR USE, UPON A HIGHWAY.

### **!** OIL LINE INSTALLATION KIT. See chart.

#### INSTALLATION PARTS

Description	Part #	MSRP
Oil Line Kit	Touring models	<b>31-0425</b> \$138.95
	Dyna® models	<b>31-0424</b> \$472.95
Super G Carburetor Kit w/air cleaner*	<b>110-0120</b>	\$1,363.95
Super D Carburetor Kit w/air cleaner*	<b>110-0119</b>	\$1,818.95

\*Air cleaner assemblies included with these carburetor kits do not include air cleaner covers. Stock 1999-later air cleaner or any S&S Stealth air cleaner covers may be used.

Description	Part #	MSRP
70mm Induction Kit	2002–'05 Dyna® & touring models	<b>170-0289</b> \$1,742.95
	2006–'07 touring models	<b>170-0288</b> \$1,742.95
Exhaust Flange Starter Kit	<b>550-0216</b>	\$115.95

## NOTE

No fuel system available for 1999–2001 Magnetti Morelli EFI models

DISCLAIMER: NOT LEGAL FOR SALE OR USE IN CALIFORNIA ON ANY POLLUTION CONTROLLED MOTOR VEHICLE. Not legal for sale or use on any EPA pollution controlled motor vehicle.

# T-SERIES LONG BLOCK ENGINES

## FOR 1999–'06 HARLEY-DAVIDSON® BIG TWINS EXCEPT 2006 DYNA® MODELS



### FEATURES

- No fuel system or ignition systems included — Use what you already have
- Special Head machining — Fits stock length intake manifolds (S&S manifold size 410)
- Stock style breathing system — stock breather spacing and function is compatible with stock and most performance air cleaners
- Same quality components and performance as our complete T-Series engines
  - New S&S cylinders that look more like stock
  - Super Stock heads and crankcases
  - TC3 Oil Pump and Cam Plate
  - S&S Easy Start cams

### OPTIONS

- T111 — 111 cubic inches, perfect sport-touring engine
- T124 — 124 cubic inches, hot-rod performance, 640 Easy Start Cams
- T124LC — 124 cubic inches with slightly lower compression, 585 Easy Start Cams

### SUGGESTED ACCESSORIES

- Stealth Air Cleaner Kits. See page 152

Not for 1999-2001 Magneti Marelli® EFI models

### T124 ENGINES WITHOUT FUEL AND IGNITION SYSTEMS

Chassis Style	Displacement	Bore	Stroke	Cam	Piston Type	Compression Ratio	Warranty Period	Finish	Part #	MSRP
1999–'06 bt (except '06 Dyna®)	124"	4½"	4¾"	640	S&S Forged Flat Top	10.8:1	2 Years	Silver	<b>310-0281A</b>	\$6,614.95
								WBlack	<b>310-0282A</b>	\$6,614.95
								Black Edition	<b>310-0831A</b>	\$6,824.95
	124"	4½"	4¾"	585	S&S Forged Dished	10.2:1	2 Years	Silver	<b>310-0327A</b>	\$6,614.95
								WBlack	<b>310-0326A</b>	\$6,614.95
								Black Edition	<b>310-0832A</b>	\$6,824.95
<b>CTO</b>				Specify		Specify	Varies	Specify	<b>319-0010</b>	Call for Pricing

### T111 ENGINES WITHOUT FUEL AND IGNITION SYSTEMS

Chassis Style	Displacement	Bore	Stroke	Cam	Piston Type	Compression Ratio	Warranty Period	Finish	Part #	MSRP
1999–'06 bt, (except '06 Dyna®)	111"	4½"	4¾"	585	S&S Forged	9.8:1	2 Years	Silver	<b>310-0279A</b>	\$6,509.95
								WBlack	<b>310-0770A</b>	\$6,509.95
								Black Edition	<b>310-0830A</b>	\$6,614.95
<b>CTO</b>				Specify		Specify	Varies	Specify	<b>319-0010</b>	Call for Pricing

**! OIL LINE INSTALLATION KIT.** See chart.



31-0424

### OIL LINE INSTALLATION KIT

Fitment	Part #	MSRP
1999–'06 FLT Models	<b>31-0425</b>	\$138.95
1995–'05 Dyna® Models	<b>31-0424</b>	\$472.95

### COMPLETE ENGINE REBUILD GASKET KITS

S&S Engine Family	Year Group	Bore Size	Part #	MSRP
T-Series	1999–'06	4½"	<b>310-0335</b>	\$231.95

## NOTES ENGINE MANAGEMENT AND FUEL SYSTEMS

Cylinder heads on T-Series long block engines are 1999–'05 style. Owners of 2006 models will need to purchase a set of 1999–'05 style, offset intake flanges such as S&S #106-3516.

Cylinder heads on these engines are specially machined to compensate for the non-stock cylinder length. As a result, they are compatible with manifolds and throttle bodies with stock length intake runners. In addition, the breather vent bolt locations have been adjusted so they are in the stock location, so stock style air cleaner Backplates will bolt up to these engines.

2002–'06 EFI engines equipped with Delphi® fuel injection will require a performance tuner such as the Harley-Davidson® Race Tuner. The stock single bore throttle body can not supply adequate air for these large displacement engines. An S&S 58mm throttle body is highly recommended for maximum performance.

Carbureted engines will require a performance ignition module that allows adjustments to the advance curves. The stock ignition module is not adjustable, and use of the stock module will likely result in engine damage due to knock from incorrect ignition timing.

Performance carburetors are recommended to achieve maximum performance. S&S Super E carbs are ideal for T111 engines in touring applications, but a Super G will produce more top end horsepower. S&S Super G carbs are recommended for T111 engines in performance applications, and for T124 engines in all applications.

The Oil Line Installation Kits are not required for the updated S&S T-series engines. If the part number of the engine ends in "A," it DOES NOT need an installation kit.

DISCLAIMER: NOT LEGAL FOR SALE OR USE IN CALIFORNIA ON ANY POLLUTION CONTROLLED MOTOR VEHICLE. Not legal for sale or use on any EPA pollution controlled motor vehicle.

# CRANKCASES

## FITMENT

- 1999-'06 Harley-Davidson® Twin Cam 88® A Engines (except 2006 Dyna®)

## FEATURES AND BENEFITS

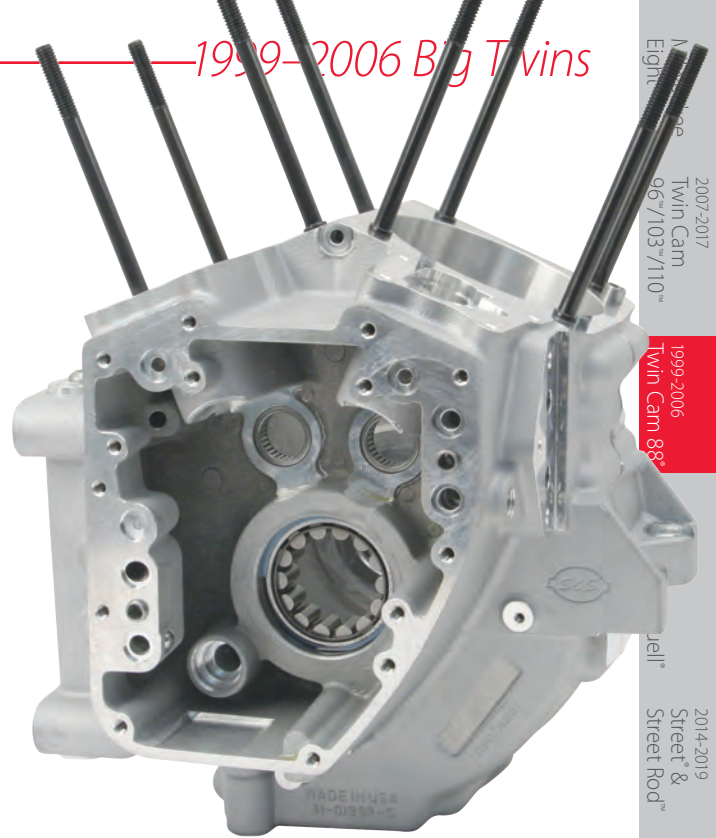
- Much stronger than stock crankcases in every aspect, extra large front motor mount for increased strength
- Large cam chest allows cam lift up to .675" without clearancing
- Timken® style sprocket shaft bearings withstand the most demanding applications
- Includes S&S crankcase breather reed valve to eliminate oil carry-over and oil scavenging problems
- Clearanced for strokes up to 5"
- All passages between the crankcase and the cam support plate are o-ring sealed
- Includes pinion and Timken® bearing

## OPTIONS

- Available in stock bore, 4" bore, and 4 1/8" bore versions

## KIT CONTENTS

- S&S crankcase
- S&S breather reed valve
- Bearings and hardware



## CRANKCASE FOR 1999-'06 BIG TWIN ENGINES (EXCEPT 2006 DYNA® MODELS)

Crankcase Bore Size	Silver	MSRP	WBlack	MSRP	Polished	MSRP
Stock Bore (Stock Stud Pattern)	<b>106-4039A</b>	\$1,885.95	<b>31-0172A</b>	\$2,053.95	—	—
4 1/8" Bore (Stock Stud Pattern)	<b>106-4057A</b>	\$1,885.95	<b>31-0181A</b>	\$1,837.95	—	—
4 1/8" Bore (S&S Stud Pattern)	<b>106-4043A</b>	\$1,885.95	<b>31-0178A</b>	\$1,837.95	<b>31-0179A</b>	\$3,460.95
4.425" Bore (S&S® T143)	—	—	<b>310-0721A</b>	\$1,780.95		

DISCLAIMER: NOT LEGAL FOR SALE OR USE IN CALIFORNIA ON ANY POLLUTION CONTROLLED MOTOR VEHICLE. Not legal for sale or use on any EPA pollution controlled motor vehicle.



31-0424

## OIL LINE INSTALLATION KIT

Fitment	Part #	MSRP
1999-'06 FLT Models	<b>31-0425</b>	\$138.95
1999-'05 Dyna® Models	<b>31-0424</b>	\$472.95

**REPLACEMENT PARTS: SEE PAGE 208**

## NOTES

Oil line installation kit part #31-0424 is required for installation in 1999-'05 Dyna® models. This kit includes a special transmission top cover and oil lines.

Oil line installation kit part #31-0425 is required for installation in 2000-'06 FLT models. Stock transmission top cover may be used.

The Oil line installation kits are not required for the updated S&S T-series engines. If the part number of the engine ends in "A," it does not need an installation kit.

2007-2017  
Twin Cam  
96"/103"/110"

1999-2006  
Twin Cam 88®

2014-2019  
Street &  
Street Rod™

1984-1999  
Evolution®

1926-1984  
Vintage Engines

Indian® &  
Victory® Models

Tools  
& Shop Supplies

Apparel

Warranty &  
Company Policy

Appendix  
& Index

# CRANKCASE BREATHER REED VALVES

## FITMENT

- Twin Cam 88®/96™ (except "B" engines)
- S&S T-Series engines



31-2070

## FEATURES AND BENEFITS

- Improved oil scavenging and reduced oil carryover

### CRANKCASE BREATHER REED VALVES

Oil Pump Fitment	Year Application	Part #	MSRP
For Engines with Stock or S&S TC3 Oil Pump	1999–'02	<b>31-2070</b>	\$130.95
	2003–'10	<b>310-0742</b>	\$126.95
	S&S special application crankcases*	<b>310-0742</b>	\$126.95
For Engines with S&S gear oil pump	2003–'10 stock crankcases & 1999-'06 S&S crankcases	<b>310-0742</b>	\$126.95

\*Spring adaptor required to accommodate the extra .375" case width of S&S Special Application big bore crankcases.

### SPRING ADAPTER AND SPACER

Fitment	Part #	MSRP
Spacer (for S&S SA crankcases)*	<b>31-2103</b>	\$24.95



\*Required to accommodate the extra .375" case width of S&S Special Application big bore crankcases.

### REPLACEMENT PARTS: SEE PAGE 236

## NOTES

The crankcases breather valve for Twin Cam 88® engines was designed and developed for use with stock Harley-Davidson® or S&S gear oil pumps and tappets, and may not be compatible with some aftermarket components.

Not available for Twin Cam 88B™ or Twin Cam 96B™ engines with internal balancers.

Does not fit with Screamin' Eagle® oil pumps.



# 3 PIECE FLYWHEEL ASSEMBLIES



## FITMENT

- 1999–'06 Harley-Davidson® big twins – Balanced and unbalanced models
- S&S T-Series Engine and Hot Set Up Kit® replacement flywheels

## FEATURES AND BENEFITS

- Heat-treated 4140 material is harder and 114% stronger than stock
- Harder material, no thrust washers required—Where stock flywheels have thrust washers, S&S flywheels have steel gripping the crankpin
- Larger 1.671" diameter crankpin—increased contact area and tighter press fit for a stronger joint. No welding required!
- Integral mainshafts—eliminates two potential points of weakness
- Consistent balance and precision machining—Truer flywheels and less vibration
- Reduced mainshaft deflection at high rpm—less vibration, reduced piston and rod side thrusting, prevents oil pump damage, fully compatible with gear drive cams
- Capable of higher rpm—More available power!



320-0460

## FLYWHEEL ASSEMBLIES

Engine Displacement	Stroke	Sprocket Bearing Race	1999–2006 HD® big twin models (except 2006 Dyna® models)				2006 HD® Dyna® models			
			Total Piston Weight	TC 88®	MSRP	TC 88B™	MSRP	Total Piston Weight	Part #	MSRP
88, 95, 97, 100 w/ Stock or S&S® Pistons	4"	Yes*	1230	<b>320-0402</b>	\$1,487.95	<b>320-0396</b>	\$1,546.95	1230	<b>320-0392</b>	\$1,546.95
		No	1230	<b>320-0403</b>	\$1,458.95	<b>320-0397</b>	\$1,517.95	1230	<b>320-0393</b>	\$1,517.95
96, 103, CVO 103, 106 big bore, 110, 117 w/ Stock or S&S® Pistons	4 3/8"	Yes*	1035	<b>320-0360</b>	\$1,487.95	<b>320-0354</b>	\$1,546.95	1035	<b>320-0350</b>	\$1,546.95
		No	1035	<b>320-0361</b>	\$1,458.95	<b>320-0355</b>	\$1,517.95	1035	<b>320-0351</b>	\$1,517.95
S&S® 106 Stroker**	4 1/2"	No	1108	<b>320-0460</b>	\$1,458.95	<b>320-0454</b>	\$1,517.95	1108	<b>320-0450</b>	\$1,517.95
S&S® 111	4 1/8"	No	1035	<b>320-0417</b>	\$1,458.95	–	–	1035	<b>320-0407</b>	\$1,517.95
SE 120R (uses 7.575" length rods)	4 5/8"	No	1035	<b>320-0525</b>	\$1,517.95	<b>320-0527</b>	\$1,517.95	1035	<b>320-0523</b>	\$1,517.95
S&S® 124	4 5/8"	No	1035	<b>320-0475</b>	\$1,458.95	<b>320-0469</b>	\$1,517.95	1035	<b>320-0464</b>	\$1,517.95
S&S® T143	4 5/8"	No	1290	<b>320-0552</b>	\$1,667.95	–	–	–	–	–
Special Order	Specify	Specify	Specify	<b>329-0002</b>	Call for Pricing	<b>329-0002</b>	Call for Pricing	Specify	<b>329-0002</b>	Call for Pricing

Note - All S&S flywheel assemblies for 1999–06 engines have connecting rods with 7.667" length and full width straight wristpin ends.

\*Flywheel assemblies supplied with sprocket shaft bearing race installed are compatible with stock roller style sprocket shaft bearings. Assemblies with no race require a Timken® sprocket shaft bearing.

\*\*4 1/2" stroke flywheels for 2006 Dyna® include 7.667" long connecting rods.

## NOTES

Engines with strokes over 4" may require S&S® piston oiling jets (p/n 31-2026) and piston to jet clearance notches in the piston skirt to avoid contact.

**Main Bearing Note:** Most S&S flywheel assemblies for 1999-'16 big twin engines are designed for use with Timken® sprocket shaft bearings. They will fit directly in stock 1999-'02 Harley-Davidson® crankcases and in all S&S crankcases for 1999-'15 big twin engines, with no modifications. However, stock 2003 and later engines use a roller type bearing for the sprocket shaft. S&S does offer flywheel assemblies that are compatible with late roller style stock sprocket shaft bearings, but they are not recommended for very large, high performance engines.

S&S strongly recommends retrofitting 2003-'16 model crankcases to accept a Timken sprocket shaft bearing. A Timken conversion sleeve such as Screamin' Eagle® #34822-08 or Jim's® #956 may be used. A charging system spacer for 1999-'02 model year is also required.

If you choose not to convert your crankcases to a Timken sprocket shaft bearing, S&S flywheels may be used in 2003 and later engines by either purchasing the stock compatible flywheels or by installing Harley-Davidson® bearing kit #24004-03B when using S&S flywheels designed for Timken bearings. This bearing kit adapts the S&S sprocket shaft so it is compatible with stock roller type bearings. Verify that the bearing kit contains the 24604-00D or 24607-07 sprocket shaft bearing. Do not use a 24604-00, 24604-00A, 24604-00B or 24604-00C bearing. Please be advised that if this type of bearing is used, sprocket shaft bearing failure WILL NOT be covered under warranty.

REPLACEMENT PARTS: SEE PAGE 210

TRYING TO IDENTIFY AN S&S® FLYWHEEL?  
SEE FLYWHEEL I.D. CHART ON PAGE 544

# TC3 CAM PLATE

S&S cam support plates are just what the doctor ordered when repairing a damaged engine or installing new camshafts. CNC machined from forged aluminum for excellent strength and dimensional accuracy. S&S cam support plates are available to fit 1999–2006 and 2007–later Harley-Davidson® big twin engines. We don't want to encourage bad habits so plates for 1999–2006 are not compatible with stock spring-loaded chain tensioners, and require late style hydraulic tensioners and oil pump. We suggest the S&S TC3 oil pumps be installed with S&S TC3 Cam Plate.

### FITMENT

- 1999–'06 big twins *except 2006 Dyna® models\**

### FEATURES AND BENEFITS

- Precision CNC machined forged aluminum
- Adjustable oil pressure regulator — adjust without removing plate from engine
- Passage plugs are removable for service
- Rebuildable — bronze pinion shaft bushing in all models and bronze cam bushings in 2007–later style
- Made in the USA!

\*Not compatible with stock spring-loaded chain tensioners or stock 1999–2006 oil pumps. A 2007–later style oil pump is required for all applications. 2007–later style hydraulic tensioners are required for chain drive cams.



310-0625

### TC3 CAM PLATE

Fitment	Part #	MSRP
1999–2006 bt ( <i>except 2006 Dyna® models</i> )	<b>310-0623</b>	\$367.95

# TC3 OIL PUMP

If motor oil is the lifeblood of an engine, then the oil pump is its heart. If your engine needs a transplant, the S&S TC3 Oil Pumps are a great solution for worn out or destroyed stock units. Common causes of stock pump failure are debris and excessive pinion shaft run out. The new S&S oil pumps are much less likely to be damaged by either. Oh, and by the way, the S&S TC3 Oil Pumps pump and scavenge way more oil than stock. While you've got that motor apart, it would be a good time to install a forged S&S TC3 Cam Plate.

### FITMENT

- 1999–'06 Harley-Davidson® big twin engines\*
- 2007–'16 Harley-Davidson big twin engines

### FEATURES AND BENEFITS

- Consistent pressure and reliable scavenging
- Separate scavenge sections for flywheel cavity and cam chest — *no interference*
- Screens and magnetic traps help protect the scavenge rotors from debris
- Special design allows S&S pumps to tolerate more pinion shaft run out without damage
- Made in the USA!



### TC3 OIL PUMP

Fitment	Part #	MSRP
1999–2006 bt ( <i>except 2006 Dyna® models</i> )	<b>310-0640</b>	\$419.95

\*S&S oil pumps for 1999–'06 are not compatible with S&S cam support plates for 1999–'06 engines. All S&S cam support plates are machined for 2007–later style oil pumps.

# TC3 OIL PUMP & CAM PLATE KITS



### TC3 OIL PUMP AND CAM PLATE KITS

Fitment	Part #	MSRP
1999–2006 bt ( <i>except 2006 Dyna® models</i> )	<b>310-0731</b>	\$708.95

REPLACEMENT PARTS: [SEE PAGE 118 & 119](#)

# GEAR DRIVE EASY START CAM SETS

FOR USE WITH S&S GEAR OIL PUMPS FOR 1996–'06 BIG TWINS (EXCEPT 2006 DYNA® MODELS)



## GEAR DRIVE CAMS FOR USE WITH S&S GEAR OIL PUMPS FOR 1999–'06 BIG TWIN (EXCEPT 2006 DYNA® MODELS)

Cam*	Easy Start Cams with Drive Gears	
	Part #	MSRP
585GP	<b>106-4771</b>	\$661.95
635GPE	<b>330-0405</b>	\$661.95
640GP	<b>106-4781</b>	\$661.95
675GP	<b>106-5215</b>	\$661.95

\*See Camshafts starting on 176 for further information on cam recommendations for different applications

DISCLAIMER: NOT LEGAL FOR SALE OR USE IN CALIFORNIA ON ANY POLLUTION CONTROLLED MOTOR VEHICLE. Not legal for sale or use on any EPA pollution controlled motor vehicle.

# BILLET GEARCOVER

## FITMENT

- 1999–'17 Twin Cam 88°, 96™ and 103™ (except '17 touring)

## BILLET GEARCOVER

Finish	Part #	MSRP
Polished	<b>31-6516</b>	\$419.95
Chrome	<b>106-3774</b>	\$459.95

‡ WARNING: Cancer and Reproductive Harm – www.P65Warnings.ca.gov



31-6516

## NOTES

The S&S gearcover is not compatible with 1999–'01 engines with stock fuel injection or ignition systems which require a cam position sensor in the gearcover.

May be used in 1999–'01 engines if an aftermarket ignition or fuel injection system, that does not require a cam position sensor, is installed.

# BILLET OIL FILTER BRACKET

## FITMENT

- 1999–'06 big twin (except 2006 Dyna® models)

## BILLET OIL FILTER BRACKET

Finish	Part #	MSRP
Polished 26261-99	<b>31-6510</b>	\$185.95
Chrome	<b>106-3884</b>	\$191.95

‡ WARNING: Cancer and Reproductive Harm – www.P65Warnings.ca.gov



31-6510

# CYLINDERS WITH PISTONS KIT

- Cylinder w/piston kits include fitted pistons and cylinders, head gaskets, base, and exhaust gaskets
- Cylinder kits with pistons are honed to fit the pistons included.



S&S® 4 1/8" BORE CYLINDERS WITH PISTONS SPECIFICATIONS							
Displacement	Stroke	Cylinder Length	Forged Piston type	Compression Ratio			
				85cc Stock heads	89cc S&S heads	91cc S&S heads	SE 95cc heads
124"	4.625	5.013	Flat Top	11.4:1	11.0:1	10.8:1	10.5:1
124" Dish	4.625	5.013	10.9 cc dish	10.5:1	10.2:1	10.0:1	9.7:1
117"	4.375	4.888	Flat Top	10.9:1	10.5:1	10.3:1	10.0:1
117" Dish	4.375	4.888	10.9 cc dish	10.0:1	9.7:1	9.6:1	9.3:1
111"	4.125	4.763	Flat Top	10.3:1	9.9:1	9.8:1	9.4:1

## 4 1/8" BORE CYLINDERS WITH PISTONS FOR 124", 117", & 111" KIT

Displacement	Bolt Pattern	Silver	MSRP	WBlack	MSRP
124" Hot Set Up - Stock Heads	Stock	<b>910-0215</b>	\$1,259.95	<b>910-0223</b>	\$1,259.95
124" Hot Set Up - S&S 89cc/91cc Heads	Stock	<b>910-0214</b>	\$1,259.95	<b>910-0222</b>	\$1,259.95
124"	S&S	<b>910-0216</b>	\$1,259.95	<b>910-0226</b>	\$1,259.95
117"	S&S	<b>910-0217</b>	\$1,259.95	<b>910-0227</b>	\$1,259.95
111"	Stock	<b>910-0017</b>	\$1,259.95	<b>910-0025</b>	\$1,259.95
111"	S&S	<b>910-0218</b>	\$1,259.95	<b>910-0277</b>	\$1,259.95

DISCLAIMER: NOT LEGAL FOR SALE OR USE IN CALIFORNIA ON ANY POLLUTION CONTROLLED MOTOR VEHICLE. Not legal for sale or use on any EPA pollution controlled motor vehicle.

## S&S® 4" BORE BOLT-IN SIDEWINDER® KITS SPECIFICATION CHART

Displacement	Bore	Stroke	Cylinder Length	Piston Type	Dome Volume	Compression Ratio		
						83cc CNC Heads	85cc Stock Heads	89cc S&S Heads
100"	4.00"	4.00"	4.937"	Forged	8.75 pop up	10.8:1	10.5:1	10.1:1

## 4" BORE BOLT-IN SIDEWINDER® BIG BORE KITS

Displacement	Silver	MSRP	WBlack	MSRP
100	<b>910-0642</b>	\$1,154.95	<b>910-0646</b>	\$1,154.95

DISCLAIMER: NOT LEGAL FOR SALE OR USE IN CALIFORNIA ON ANY POLLUTION CONTROLLED MOTOR VEHICLE. Not legal for sale or use on any EPA pollution controlled motor vehicle.

## S&S® 98" & 97" BIG BORE KIT SPECIFICATION CHART

Displacement	Bore	Stroke	Cylinder Length	Forged Piston Type	Bolt Pattern	Compression Ratio (with provided .045" head gasket)					
						83cc Heads	79cc S&S Heads	85cc Heads	87cc Heads	89cc S&S Heads	90cc Heads
98"	3.937"	4.00"	4.937"	10cc Dome	Stock	10.5:1	n/a	10.3:1	10.1:1	n/a	9.8:1
97"*	3.927"	4.00"	4.937"	3cc Dome	Stock	n/a	9.7:1	10.3:1	n/a	9.4:1	n/a

\*For an additional .2 bump in compression, order .030" thick head gaskets #900-0605 (2 pack). Remember to check your clearances.

## BIG BORE KIT



Displacement	Bolt Pattern	Silver	MSRP	WBlack	MSRP
98" Big Bore Kits	Stock	<b>910-0482</b>	\$1,102.95	<b>910-0481</b>	\$1,102.95
97" Big Bore Kits	Stock	<b>910-0201</b>	\$997.95	<b>910-0205</b>	\$997.95

DISCLAIMER: NOT LEGAL FOR SALE OR USE IN CALIFORNIA ON ANY POLLUTION CONTROLLED MOTOR VEHICLE. Not legal for sale or use on any EPA pollution controlled motor vehicle.

## CYLINDERS WITH PISTONS KIT CON'T

S&S® 3 7/8" BORE CYLINDERS WITH PISTONS SPECIFICATION CHART							
Displacement	Stroke	Cylinder Length	Forged Piston Type	Bolt Pattern	COMPRESSION RATIO		
					85cc Stock Heads	79cc S&S Heads	89cc S&S Heads
106" Stroker	4 1/2"	4.937"	Forged	Stock	10.1:1	9.8:1	10.8:1
95"	4"	4.937"	Forged	Stock	9.7:1	10.3:1	9.9:1

### 3 7/8" BORE CYLINDERS WITH PISTONS FOR 106" & 95" KIT

Displacement	Bolt Pattern	Silver	MSRP	WBlack	MSRP
106" Stroker	Stock	<b>910-0199</b>	\$1,049.95	<b>910-0203</b>	\$1,049.95
95"	Stock	<b>910-0200</b> 	\$1,049.95	<b>910-0204</b> 	\$1,049.95

**ALL OTHER BORES AND FINISHES ARE AVAILABLE THROUGH SPECIAL ORDER** **91-7506\*** Call for Pricing  
 \*Special Order: Download the Special Order Form at [sscycle.com/soforms](http://sscycle.com/soforms)

**NOTES** S&S® highly recommends installing a performance cam for easier starting and better engine performance.  
 S&S high flow cylinder heads will provide further horsepower gains.  
 These kits require tuning.

## CYLINDERS

- Individual cylinders and cylinder sets without pistons are bored slightly under nominal size and are not honed.

### 4.425" BORE CYLINDERS WITHOUT PISTONS FOR T143

Displacement	Set	Silver	MSRP	Black	MSRP
143"	Set	<b>910-0568</b>	\$1,182.95	<b>910-0565</b>	\$1,182.95

DISCLAIMER: NOT LEGAL FOR SALE OR USE IN CALIFORNIA ON ANY POLLUTION CONTROLLED MOTOR VEHICLE. Not legal for sale or use on any EPA pollution controlled motor vehicle.





### 4 1/8" BORE CYLINDERS

Displacement	Set	Silver	MSRP	WBlack	MSRP	Polished	MSRP
124" Hot Set Up	Set	<b>910-0234</b>	\$755.95	<b>910-0255*</b>	\$755.95	–	–
124"	Set	<b>910-0237</b>	\$755.95	<b>910-0264</b>	\$755.95	<b>910-0249</b>	\$839.95
117"	Set	<b>910-0240</b>	\$755.95	–	–	–	–
111"	Set	<b>910-0243</b>	\$755.95	<b>910-0281</b>	\$755.95	–	–

DISCLAIMER: NOT LEGAL FOR SALE OR USE IN CALIFORNIA ON ANY POLLUTION CONTROLLED MOTOR VEHICLE. Not legal for sale or use on any EPA pollution controlled motor vehicle.

### 3 7/8" BORE CYLINDERS

Displacement	Set	Silver	MSRP	WBlack	MSRP
106" Stroker	Set	<b>910-0207</b> 	\$682.95	<b>910-0208</b> 	\$682.95

### 3.937" BORE CYLINDERS

Displacement	Front or Rear	Silver	MSRP	WBlack	MSRP
98"	Front or Rear	<b>910-0478</b>	\$419.95	<b>910-0477</b>	\$419.95

DISCLAIMER: NOT LEGAL FOR SALE OR USE IN CALIFORNIA ON ANY POLLUTION CONTROLLED MOTOR VEHICLE. Not legal for sale or use on any EPA pollution controlled motor vehicle.

### 3.927" BORE CYLINDERS

Displacement	Front or Rear	Silver	MSRP	WBlack	MSRP
97"	Front or Rear	<b>910-0210</b>	\$419.95	<b>910-0212</b>	\$419.95

**ALL OTHER BORES AND FINISHES ARE AVAILABLE THROUGH SPECIAL ORDER** **91-7506\*** Call for Pricing  
 \*Special Order: Download the Special Order Form at [sscycle.com/soforms](http://sscycle.com/soforms)

**CYLINDER REPLACEMENT PARTS: SEE PAGE 218**

# PISTON KITS

• Piston kits include set of pistons, rings, wristpins, and clips



**920-0046**  
Dish topped



**106-3491A**  
Flat topped

## 4.425" BORE FORGED PISTON KITS FOR T143

Displacement	Deck Height	Stroke	Standard	MSRP	+ .020"	MSRP
T143	1.167"	4 7/8"	<b>920-0106</b>	\$650.95	<b>920-0111</b>	\$650.95

DISCLAIMER: NOT LEGAL FOR SALE OR USE IN CALIFORNIA ON ANY POLLUTION CONTROLLED MOTOR VEHICLE. Not legal for sale or use on any EPA pollution controlled motor vehicle.

## 4 1/8" BORE FORGED PISTON KITS FOR HOT SET UP KITS®

Displacement	Deck Height	Stroke	Standard	MSRP	+ .010"	MSRP	+ .020"	MSRP	+ .030"	MSRP
124" & 117" Stock Heads 10cc Dished	1.050"	Up To 4 5/8"	<b>920-0046</b>	\$503.95	<b>920-0047</b>	\$503.95	<b>920-0050</b>	\$503.95	<b>920-0053</b>	\$503.95
124", 117" & 111" -Stock or S&S Heads Flat Top	1.050"	Up To 4 5/8"	<b>106-3491A</b>	\$503.95	<b>106-3872A</b>	\$503.95	<b>106-3964A</b>	\$503.95	<b>920-0094</b>	\$503.95

\*DISCLAIMER: NOT LEGAL FOR SALE OR USE IN CALIFORNIA ON ANY POLLUTION CONTROLLED MOTOR VEHICLE. Not legal for sale or use on any EPA pollution controlled motor vehicle.

## 4" BORE FORGED PISTON KIT

Displacement	Deck Height	Dome Height	Stroke	Standard	MSRP
100	1.270	8.75cc	4"	<b>920-0129</b>	\$409.95



**92-1210**  
106" Stroker



**92-1200**  
95"

## 3.937" BORE FORGED PISTON KIT

Displacement	Deck Height	Dome Height	Stroke	Standard	MSRP
98"	1.270"	10cc	4"	<b>920-0101</b>	\$419.95

## 3.927" BORE FORGED PISTON KITS

Displacement	Deck Height	Dome Height	Stroke	Standard	MSRP	+ .010"	MSRP
97"	1.270"	3cc	4"	<b>106-3688</b>	\$419.95	<b>106-4414</b>	\$419.95

## 3 7/8" BORE FORGED PISTON KITS

Displacement	Deck Height	Stroke	Standard	MSRP	+ .005"	MSRP	+ .010"	MSRP	+ .020"	MSRP
106" Stroker	1.020"	4 1/2"	<b>92-1210</b>	\$440.95	<b>92-1214</b>	\$440.95	<b>92-1211</b>	\$440.95	<b>92-1212</b>	\$440.95
95"	1.270"	4"	<b>92-1200</b>	\$440.95	<b>92-1204</b>	\$440.95	<b>92-1201</b>	\$440.95	<b>92-1202</b>	\$440.95

**NOTE**

S&S' 3 7/8" pistons for 95" kits and 4 1/8" pistons are machined to such close tolerances that it is not necessary to measure the piston. Additionally, the low friction coating on the piston skirt makes taking measurements very difficult. Therefore, hone cylinders to nominal diameter +/- 0.0005" for correct clearance.

S&S' 3.937" & 3.927" pistons are machined to such close tolerances that it is not necessary to measure the piston. Additionally, the low friction coating on the piston skirt of early production pistons with out micrometer window makes taking measurements very difficult. Therefore, hone cylinders to nominal diameter +/- 0.0001" for correct clearance. Current production pistons have micrometer windows in the coating on the piston skirts that allow accurate measurements to be taken. These pistons may be installed by honing cylinder to nominal diameter +/- 0.0001" or by measuring piston and honing cylinder to achieve .002" - .0025" close clearance for street applications or .0032" - .0045" loose clearance for immediate competition use.

# REPLACEMENT PARTS FOR PISTONS

## PISTON RINGS, CHROMOLY FACED

Bore	Standard	MSRP	+ .005"	MSRP	+ .010"	MSRP	+ .020"	MSRP	+ .030"	MSRP
4.425"	<b>940-0043</b>	\$167.95	—	—	—	—	<b>940-0044</b>	\$167.95	—	—
4 1/8"	<b>940-0014</b>	\$62.95	—	—	<b>940-0012</b>	\$62.95	<b>940-0013</b>	\$62.95	<b>940-0017</b>	\$167.95
3.937"	<b>940-0032*</b>	\$62.95	—	—	—	—	—	—	—	—
3.927"	<b>106-3709A</b>	\$52.95	—	—	<b>106-4422A</b>	\$52.95	—	—	—	—
3 7/8" for 106" Stroker	<b>94-1295X</b>	\$52.95	<b>94-1299X</b>	\$52.95	<b>94-1296X</b>	\$52.95	<b>94-1297X</b>	\$52.95	—	—
3 7/8" for 95" Kit	<b>94-1290X</b>	\$41.95	<b>94-1294X</b>	\$41.95	<b>94-1291X</b>	\$41.95	<b>94-1292X</b>	\$41.95	—	—
4"	<b>940-0056†</b>	\$83.95	—	—	—	—	—	—	—	—

\*Only includes one set of rings.

†DISCLAIMER: NOT LEGAL FOR SALE OR USE IN CALIFORNIA ON ANY POLLUTION CONTROLLED MOTOR VEHICLE. Not legal for sale or use on any EPA pollution controlled motor vehicle.

## REPLACEMENT PISTON WRISTPINS

Description	Part #	MSRP
For 4.425" Pistons	<b>940-0037</b>	\$20.95
For 4 1/8" Pistons (92-1550 Series)	<b>94-9277</b>	\$31.95
For 4 1/8", 3 7/8", 3.927" Pistons	<b>106-1052</b>	\$23.95
For 3.937" Pistons	<b>940-0033</b>	\$31.95

## REPLACEMENT PISTON KEEPERS

Description	Part #	MSRP
Keeper	each	<b>94-9278-5</b> \$3.95
	2 pack	<b>94-9278-2</b> \$5.95
	4 pack	<b>106-2304</b> \$5.95
Keeper for 4.425"	each	<b>94-9278-5</b> \$3.95
Keeper For 3.937" & 4"	2 pack	<b>940-0034</b> \$20.95

# POWER PACK

Bump 1999–'06 engines from 88ci to 100ci and 2007–'17 engines from 96ci or 103ci to 110ci with the new S&S 4" big bore kit. The kit also includes matched cams, cam plate, oil pump and everything else a high performance big inch engine needs to reliably make serious power.

## FITMENT

- 1999–06 big twin except 2006 Dyna® models

## FEATURES AND BENEFITS

- Largest big bore kit available without doing crankcase mods
- Upgrade Twin Cam 88 to 100 cu inches
- Cylinders fit to pistons—No machining required
- All parts required to upgrade to gear drive cam or hydraulic tensioners
- Engineered package to deliver the best bolt-in performance available



## POWER PACKAGE KIT

Fitment	Finish	Cam	Drive	Part #	MSRP
1999–'06 except '06 Dyna®	Silver	585CE	Chain	<b>330-0662</b>	\$2,887.95
1999–'06 except '06 Dyna®	Silver	585GE	Gear	<b>330-0663</b>	\$2,992.95
1999–'06 except '06 Dyna®	Black	585CE	Chain	<b>330-0664</b>	\$2,887.95
1999–'06 except '06 Dyna®	Black	585GE	Gear	<b>330-0665</b>	\$2,992.95

DISCLAIMER: NOT LEGAL FOR SALE OR USE IN CALIFORNIA ON ANY POLLUTION CONTROLLED MOTOR VEHICLE. Not legal for sale or use on any EPA pollution controlled motor vehicle.

## NOTES

- 1999–04 engines will require the additional purchase of valve springs pn 900-0593
- Pinion shaft runout must be less than .003" to use gear drive cams
- Kit not available to fit '06 Dyna® models but parts may be purchased separately.
- Not for use with S&S 79cc Cylinder Heads.



# CAMSHAFT OVERVIEW

**OES:** Original Equipment Specification (OES). A bolt-in replacement cam with stock cam timing is designed for riders with stock engines. Does not require tuning. Bolt-in stock. Equivalent to HD® A-Grind

**505C:** Bolt-in cam, low-end torque and mid-range horsepower. Good for heavy bikes. Stock comp. ratio. Compatible with stock valve springs. Range: Idle to 5,000 rpm

**509:** Designed as a bolt-in, high torque cam for 1999–'06 models. 180 psi cranking compression, no need for compression releases. For 88 CID engines with stock compression ratio. Idle–4500 rpm. Bolt-in torque.

**510:** Designed as a bolt-in cam for 88, 95, and 96 CID engines with compression ratios below 9.7:1, it is primarily intended for use with stock, un-ported heads. 3000–5500 rpm. Bolt-in overall.

**551:** Designed for engines with 96 to 106 CID and 9:1 to 9:9 compression this cam set designed for stock or mildly modified touring bikes. 551 cams are not recommended for compression ratios of 10:1 or greater. Greatly improves low-end and midrange torque, strongest from idle–4000rpm.

**570:** Designed for 88 to 103 CID engines with compression ratios between 9:1 and 10:1 this cam will provide a nice power increase across the entire power band. 3200–5700 rpm. Excellent bolt-in for overall power on 103".

**583:** Optimized for use in the Softail®/Dyna® lines, this cam makes horsepower and torque that you can feel all the way through the rpm range, making the most power right where you need it: 1500–5000rpm. 583 cams are not recommended for engines having compression ratios greater than 10.1:1

**585:** Designed for 88 to 95 CID engines with compression ratios from 9.7:1 to 10.5:1 and 100 to 124 CID engines from 9:1 to 10:1 compression. Provides massive horsepower and torque increases starting at 3000rpm and holds steady all the way to redline. 3500–6000 rpm for 88"–103" engines and 2500–5500 for larger engines.

**625:** Cam set designed for 95" or larger engines with compression ratios between 10.0 and 10.75:1. 3000–6000 rpm.

**MR103:** Designed as bolt-in cams for 103 CID engines with stock 9.7:1 compression ratio up to 10.5:1. Works well with stock, un-ported heads, but is great for S&S CNC ported heads. More power across the rpm range best results form 2500–5500 rpm. Bolt-in.

**HP103:** Designed as bolt in cams for engines with 103 and stock 9.7:1 compression up to 10.5:1. Works well with stock, un-ported heads, but is great for S&S CNC ported heads. Best power in the higher rpm range, 3000–6000 rpm. Bolt-in.

**635 H.O.:** High lift cam for modified engines with 106" or greater displacement and compression ratios between 10.0:1 and 11.0:1. Works well with stock, un-ported heads, but S&S CNC ported heads are recommended. Best power from 3000–6000 rpm. This is not a bolt-in cam set. High-lift springs and clearance checks are required.

**640:** Used in S&S T124 engines, this cam makes horsepower! Intended for engines of 95 CID or more w/ compression ratios between 10.5:1 and 11.5:1. 3000–6000 rpm.

**675:** A high lift monster, this cam set is designed for 120" or larger engines with at least 11:1 compression ratio. 4500–6500 rpm.



## NOTE

Stock valve springs in 1999–'04 big twin models can handle cams with valve lifts as high as .515". Stock valve springs in 2005–up engines can accommodate valve lifts up to .590".

### SPECIFICATIONS OF S&S® CHAIN & GEAR DRIVE CAMSHAFTS FOR 1999-UP BIG TWINS

Cam Name	Bolt-In	Valve Timing (open/close)		Valve Duration		Valve Lift	Centerline		Lift @ TDC		APPLICATION CROSS REFERENCE		
		Intake	Exhaust	Intake	Exhaust		Intake	Exhaust	Intake	Exhaust	HD® Screamin' Eagle®	Andrews®	Most Fitting
		Open BTDC/ Close ABDC	Open BBDC/ Close ATDC										
OES	●	2°/34°	36°/4°	216°	220°	.475"	106°	106°	.060"	.060"	A-Grind		
505C	●	20°/36°	47°/15°	236°	242°	.505"	98°	106°	.185"	.157"			
509	●	18°/18°	46°/11°	216°	237°	.509"	90°	107.5°	.174"	.140"			
510	●	20°/38°	52°/20°	238°	252°	.510"	99°	106°	.187"	.178"			
551**		17°/19°	41°/17°	216°	238°	.550"	91°	102°	.178"	.170"	SE-203/255	21H/26H	Touring
570		20°/40°	55°/20°	240°	255°	.570"	100°	107.5°	.187"	.179"	–	54H	All Big Twin
583		5°/18°	58°/24°	203°	262°	.583"	96.5°	107°	.113"	.206"	SE-203/255	21H/26H	Softail®/Dyna®
585		20°/45°	60°/20°	245°	260°	.585"	102.5°	110°	.186"	.179"	SE-211/251/257	31H/32H/ 50H/55H/67H	All Big Twin
625		20°/55°	60°/20°	255°	260°	.625"	107.5°	110°	.189"	.184"	SE-258/260	60H	All Big Twin
635		19.5°/43.5°	58.5°/37.5°	243°	276°	.635"	102°	100.5°	.186"	.284"			
MR103		13°/33°	50°/22°	226°	252°	.585"	104°	104°	.172"	.177"			
HP103		20°/49°	45°/26°	249°	251°	.575"	102.7°	101.5°	.199"	.206"			
640		25°/60°	65°/25°	265°	270°	.640"	107.5°	110°	.228"	.214"	SE-264	59H	All Big Twin
675		25°/64°	70°/25°	269°	275°	.675"	109.5°	112.5°	.235"	.205"	–	64H	Race

\*Note: Although several cam grinds were used in stock engines from 1999–'06, the timing specs of the 475G cams is most similar to cams used in 1999–'03 EFI engines.

\*\*551 cams are not recommended with compression ratio of 10:1 or higher.



## CAMSHAFT OVERVIEW CON'T

### S&S EASY START CAMS

Start any engine regardless of displacement or compression ratio, with a stock starter. Easy Start Cams from S&S® Cycle make hard starting obsolete for 1999-'12 big twins. Available in economical chain drive and rock-solid gear drive versions. Don't get caught "dead" without them!

### FEATURES AND BENEFITS

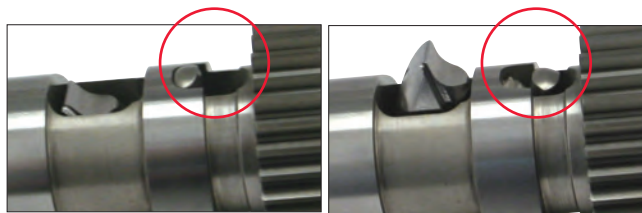
- Start any engine with a stock starter
- Save your starter and battery!
- Reliable – tested for 100,000 accumulative starts and over 150,000 road miles without breakage or compression release failure!
- Automatic – no buttons to push

### OPTIONS

- Chain drive or gear drive (See the following pages for part numbers)

### HERE'S HOW IT WORKS

Each of the two exhaust cam lobes are equipped with a spring loaded compression release lobe on the "heel" of the cam at the point where the valve would normally be fully closed. The lobe holds the exhaust valve open slightly at cranking speed. This releases some of the compression, making the engine much easier to crank. Once the engine starts, and rpm increases, the compression release lobe is centrifugally retracted and the engine runs normally, with full compression, and without any loss in performance. This allows a stock starter and battery to start nearly any engine.



The compression release lobe reduces compression until the engine starts.

Increased rpm causes the compression release lobe to be centrifugally retracted so the engine runs normally.

# GEAR DRIVE CAM KITS

## FEATURES AND BENEFITS

- Improves valve timing accuracy by eliminating timing chain lash
- Easy Start Cams allow stock starter to start any engine
- No tensioner shoes to wear out or fail



## OPTIONS

### WHICH S&S GEAR DRIVE CAM KIT TO ORDER?

- If updating a stock chain drive system, it's easiest to order a complete kit. Includes:
  - Camshafts with inner gears
  - Outer cam drive gear kit
  - Camshaft installation kit
- If replacing cams in an engine already equipped with S&S gear drive cams, order cams with inner gears and reuse the existing outer gears. Camshaft installation kit for the appropriate model year is recommended.
- If installing a set of gear drive cams from another manufacturer, order S&S cam gear kits for the appropriate model year. Each kit provides the inner cam gear as well as an outer cam gear. Camshaft installation kit for the appropriate model year is recommended.



### GEAR DRIVE CAMS FOR 1999-'06 MODELS (EXCEPT 2006 DYNA®)\*

Cam Name	Easy Start						Standard			
	Complete Kit		Cams w/Inner Gears				Complete Kit		Cams w/Inner Gears	
	Stock Oil Pump	MSRP	Stock Oil Pump	MSRP	S&S gear oil pump	MSRP	Stock Oil Pump	MSRP	Stock Oil Pump	MSRP
0ES	–	–	–	–	–	–	<b>106-4033<sup>†</sup></b>	\$797.95	<b>106-4385<sup>†</sup></b>	\$510.95
509	–	–	–	–	–	–	<b>330-0017</b>	\$797.95	<b>330-0018</b>	\$510.95
510	–	–	–	–	–	–	<b>33-5177</b>	\$797.95	<b>33-5174</b>	\$510.95
551	<b>106-5442</b>	\$899.95	<b>106-5441</b>	\$614.95	–	–	<b>330-0100</b>	\$797.95	<b>330-0099</b>	\$488.95
570	<b>106-5243</b>	\$899.95	<b>106-5242</b>	\$614.95	–	–	<b>33-5178</b>	\$797.95	<b>33-5166</b>	\$510.95
583	<b>106-5859</b>	\$899.95	<b>106-5858</b>	\$614.95	–	–	<b>330-0107</b>	\$797.95	–	–
585	<b>106-5247</b>	\$899.95	<b>106-5246</b>	\$614.95	<b>106-4771</b>	\$661.95	<b>33-5179</b>	\$797.95	<b>33-5168</b>	\$510.95
625	<b>106-5251</b>	\$899.95	<b>106-5250</b>	\$614.95	–	–	<b>33-5180</b>	\$797.95	<b>33-5170</b>	\$510.95
MR103	<b>330-0466</b>	\$899.95	<b>330-0467</b>	\$614.95	–	–	<b>330-0462</b>	\$797.95	<b>330-0463</b>	\$510.95
HP103	<b>330-0452</b>	\$899.95	<b>330-0453</b>	\$614.95	–	–	<b>330-0448</b>	\$796.95	<b>330-0449</b>	\$510.95
635 H.O.	<b>330-0438</b>	\$899.95	<b>330-0439</b>	\$614.95	<b>330-0405</b>	\$661.95	<b>330-0432</b>	\$797.95	<b>330-0435</b>	\$510.95
640	<b>106-4840</b>	\$899.95	<b>106-4839</b>	\$614.95	<b>106-4781</b>	\$661.95	<b>33-5181</b>	\$797.95	<b>33-5172</b>	\$510.95
675	<b>106-5255</b>	\$899.95	<b>106-5254</b>	\$614.95	<b>106-5215</b>	\$661.95	–	–	–	–

\*2006 Dyna® install kit is in Section 2.

DISCLAIMER: NOT LEGAL FOR SALE OR USE IN CALIFORNIA ON ANY POLLUTION CONTROLLED MOTOR VEHICLE. Not legal for sale or use on any EPA pollution controlled motor vehicle.

<sup>†</sup>Exempt from emissions tampering regulations in 1999–2006 applications originally equipped with H-D? "A" grind camshafts under CARB EO# D-355-14

## NOTES

Pinion shaft run-out must be checked before installing S&S® gear drive cams. Gear Drive cams should only be used in engines with pinion shaft runout of no more than .003"

A hydraulic press and other professional tools are required to install S&S gear drive cams. Additionally, material must be removed from the inner surface of the stock gearcover. The stock crankcase will require clearancing for S&S .625", .640", and .675" lift cams. S&S recommends that gear drive cams be installed by a professional mechanic.

New cam bearings and a new gearcover gasket are required to complete cam installation. Gear drive cams for 1999–'06 models require the use of ball bearing style cam bearing rather than the stock roller bearing. Roller bearings have more internal clearance which can cause excessive gear lash and increased noise. The correct parts are provided in S&S Camshaft Installation Kit, part #106-5896.

Due to the inherent characteristics of gear drives, you may experience more valve train noise with gear driven cams. Oversized and undersized gears are available to help achieve correct gear lash. We have found that with 160 lb. of valve seat force, the S&S gear drive cams will perform well up to 6200 rpm. If higher rpm is anticipated, valve springs that provide higher seat force should be used.

S&S can do a special order cam. Contact your S&S Customer Service Representative for more information.

# 1999-2006 Big Twins

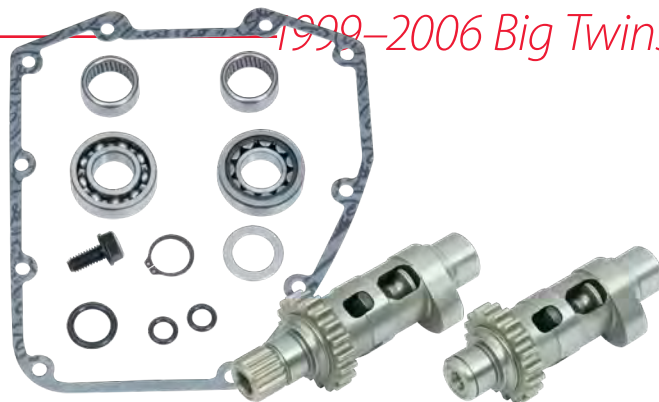
## CHAIN DRIVE CAM KITS

### FEATURES AND BENEFITS

- Increase performance at an affordable price
- Quick installation – reuse many stock components
- Easy Start Cams allow stock starter to start any engine

### KIT CONTENTS

- Cams
- Installation Kit: gearcover gasket, bearings, retaining ring, o-ring, thread lock
- Instructions



### NOTES

If OES, 509 or 510C cams are used with the stock chain drive system in Twin Cam 88° engines, it is recommended to use cylinder heads with stock valve springs or performance valve springs with no more than 160 lb. of seat force. For more demanding applications, we recommend the S&S gear drive cams.

When using 1999-'06 chain drive cams for lifts over .510", S&S strongly recommends that the stock chain drive be upgraded to the S&S gear drive or to the HD® #25284-08 or #25284-11 hybrid plate. This kit updates the problematic spring loaded chain tensioners to reliable hydraulic tensioners and also upgrades the oil pump.

551 and 583 cams are not recommended with compression ratio of 10:1 or higher.

S&S can do a special order cam. Contact your S&S Customer Service Representative for more information.

DISCLAIMER: NOT LEGAL FOR SALE OR USE IN CALIFORNIA ON ANY POLLUTION CONTROLLED MOTOR VEHICLE. Not legal for sale or use on any EPA pollution controlled motor vehicle.

### CHAIN DRIVE CAM KITS FOR 1999-'06 MODELS (EXCEPT 2006 DYNA®)

Cam	Standard	MSRP	Easy Start	MSRP
OES	<b>330-0400</b>	\$345.95	–	–
505	<b>330-0374</b>	\$345.95	–	–
509	<b>330-0016</b>	\$345.95	–	–
510	<b>33-5182A</b>	\$345.95	–	–
551	<b>330-0002</b>	\$345.95	<b>106-5293</b>	\$449.95
570	<b>330-0003</b>	\$345.95	<b>106-5296</b>	\$449.95
583	<b>330-0004</b>	\$345.95	<b>106-5289</b>	\$449.95
585	<b>330-0005</b>	\$345.95	<b>106-5299</b>	\$449.95
625	<b>330-0006</b>	\$345.95	<b>106-5302</b>	\$449.95
MR103	<b>330-0456</b>	\$345.95	<b>330-0459</b>	\$449.95
HP103	<b>330-0442</b>	\$345.95	<b>330-0445</b>	\$449.95
635 H.O.	<b>330-0426</b>	\$345.95	<b>330-0429</b>	\$449.95
640	<b>330-0007</b>	\$345.95	<b>106-5305</b>	\$449.95

\*2006 Dyna® cams are in Section 2.

## CAM RELATED PARTS



33-4275

### CAM GEAR DRIVE KITS

Fitment	Part #	MSRP
1999-'06 bt	<b>33-4275</b>	\$545.95

(Includes front and rear inner cam gears, pinion gear, and outer cam gear)



33-4276

### OUTER CAM DRIVE GEAR KIT

Fitment	Part #	MSRP
Fits 1999-'06 bt	<b>33-4276</b>	\$286.95



33-4271P

### HARDWARE PACK FOR OUTER CAM GEAR

Description	Part #	MSRP
Hardware Pack, Fits 1999-up bt	<b>33-4271P</b>	\$10.95
Replacement Key	<b>106-1348</b>	\$4.95



33-5212

### HEAVY DUTY CAM BEARING PLATE

Fitment	Part #	MSRP
Fits 1999-'06 bt	<b>33-5212</b>	\$8.95



31-4080

### CAM NEEDLE BEARINGS ASSEMBLIES

Fitment	Part #	MSRP
Inner Cam Bearing 1999-'06 bt (except 2006 Dyna®)  9198	<b>31-4080</b>	\$11.95

### REPLACEMENT GEARS, OVERSIZED & UNDERSIZED

Description	Fitment	Part #	MSRP	
Cam Drive Gear Set	1999-up	<b>33-4293</b>	\$334.95	
Outer Rear Cam Drive Gear Only	1999-'06 (except '06 Dyna)	<b>106-4882</b>	\$178.95	
Inner cam gear, Front or Rear	1999-'06 (except '06 Dyna)	<b>330-0550</b>	\$129.95	
Rear Inner Cam Gear, Undersized	1999-'06 (except '06 Dyna)	<b>330-0551</b>	\$132.95	
Rear Inner Cam Gear, Oversized	1999-'06 (except '06 Dyna)	<b>330-0552</b>	\$132.95	
Pinion Gears	Standard Size	1999-up	<b>33-4160</b>	\$98.95
	Undersized		<b>33-4160X</b>	\$108.95
	Double Under		<b>33-4160XX</b>	\$108.95
	Oversized		<b>33-4160Z</b>	\$108.95
	Double Over		<b>33-4160ZZ</b>	\$108.95

Due to machining variations in the stock cam plate, oversized or undersized gears may be needed to achieve correct gear lash.

### REPLACEMENT INSTALLATION KITS

Description	Standard	MSRP
For S&S Chain Drive Cams	<b>33-5175</b>	\$136.95
For S&S Gear Drive Cams	<b>106-5896</b>	\$58.95

Includes a gearcover gasket, cam bearings, retaining ring, o-ring, thread lock and instructions.

# CAM CHEST UPGRADE GEAR OR CHAIN DRIVE

## FITMENT

- 1999–'06 Harley-Davidson® big twins & 2006 Dyna® models (except 2006 Dyna® models)

## FEATURES

- Upgrade to S&S bolt-in performance chain drive or gear drive camshafts
- Upgrade 1999–'06 models to 2007–'16 style oil pump
- Improved engine performance — higher lift and optimized cam timing
- S&S Quickee pushrods — easy installation, without removing rocker covers
- Replace stock oil pump, cam support plate, cams, chain tensioners, and tappets with all new premium U.S. made S&S components
- Better, more consistent oil pressure



### CHAIN DRIVE CAM CHEST UPGRADE KIT FOR 1999–'06 BIG TWINS (EXCEPT 2006 DYNA® MODELS)

Cam	Part #	MSRP
509C Standard	<b>330-0540</b>	\$1,742.95
510C Standard	<b>330-0541</b>	\$1,742.95
551CE Easy Start	<b>330-0542</b>	\$1,837.95
585CE Easy Start	<b>330-0543</b>	\$1,837.95

DISCLAIMER: NOT LEGAL FOR SALE OR USE IN CALIFORNIA ON ANY POLLUTION CONTROLLED MOTOR VEHICLE. Not legal for sale or use on any EPA pollution controlled motor vehicle.

### GEAR DRIVE CAM CHEST UPGRADE KIT FOR 1999–'06 BIG TWINS (EXCEPT 2006 DYNA® MODELS)

Cam	Part #	MSRP
509G Standard	<b>310-0810</b>	\$1,889.95
510G Standard	<b>310-0811</b>	\$1,889.95
551GE Easy Start	<b>310-0812</b>	\$1,994.95
585GE Easy Start	<b>310-0813</b>	\$1,994.95

DISCLAIMER: NOT LEGAL FOR SALE OR USE IN CALIFORNIA ON ANY POLLUTION CONTROLLED MOTOR VEHICLE. Not legal for sale or use on any EPA pollution controlled motor vehicle.

## NOTE

Stock valve springs in 1999–'04 big twin models can handle cams with valve lifts as high as .515". Stock valve springs in 2005–up engines can accommodate valve lifts up to .590".

# HYDRAULIC CAM CHAIN TENSIONER KIT

## FITMENT

- 2007–2016 big twin & 2006 Dyna® models
- 1999–'06 models with hydraulic cam plate upgrade

## FEATURES

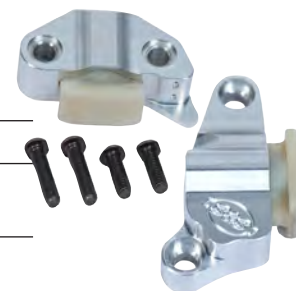
- Thicker shoe for longer wear
- Direct chain oiling
- Larger piston
- Tighter tolerance for improved stability
- Made in USA

### HYDRAULIC CAM CHAIN TENSIONER KIT

Fitment	Part #	MSRP
1999–'06 models with hydraulic cam plate upgrade	<b>330-0518</b>	\$139.95

### REPLACEMENT PARTS

Description	Part #	MSRP
Tensioner, Asm, Inner, Body, Cam Chain	<b>330-0519</b>	\$73.95
Tensioner, Assembly, Outer, Body, Cam Chain	<b>330-0520</b>	\$73.95
Tensioner Shoe, Chain, Camshaft	<b>330-0521</b>	\$25.95



# PREMIUM HIGH PERFORMANCE TAPPETS

## FITMENT

- 1999–2017 big twin

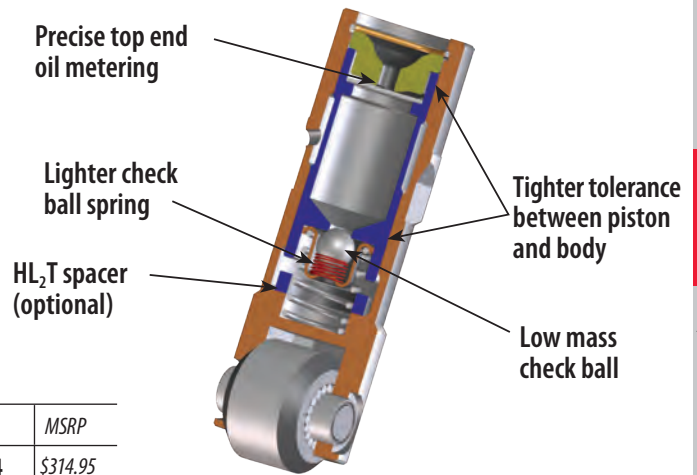
## FEATURES AND BENEFITS

- Reduced valve train noise from start up to shut down
- Close tolerances for low leak down rates—fast pump up and superior high rpm performance
- Low mass, bearing grade, silicon nitride check ball and lighter check ball spring - enhances fast pump up and quiet operation
- 100% tested to ensure that leak down and top end oil flow are within specification
- Available with or without the S&S HL<sub>2</sub>T limited travel kit installed



### PREMIUM HIGH PERFORMANCE TAPPETS

Tappet Sets	Part #	MSRP
Set of 4 tappets with HL <sub>2</sub> T kit	<b>330-0174</b>	\$314.95
Set of 4 tappets without HL <sub>2</sub> T kit	<b>330-0175</b>	\$293.95



# HIGH PERFORMANCE HYDRAULIC TAPPETS

## FITMENT

- 1999–'17 big twin
- S&S-Series engines



### HIGH PERFORMANCE HYDRAULIC TAPPET SETS

Description	Part #	MSRP
Standard Tappet Set (4)	<b>33-5350</b> 18538-99A, 18538-99B, 18538-99C	\$141.95

\*S&S tappets with HL<sub>2</sub>T Kit require the use of adjustable pushrods.

# TAPPET COVERS

## FITMENT

- 1999–'16 big twin
- S&S crankcases

## FEATURES AND BENEFITS

- CNC billet aluminum provides extra strength and dimensional stability over a wide temperature range
- Simple to install upgrade that looks great

## KIT CONTENTS

- Covers
- Gaskets
- Installation hardware



33-5601

### TAPPET COVER KITS

Finish	Part #	MSRP
Polished	<b>33-5601</b>	\$208.95
Chrome	<b>106-3883</b> ±	\$219.95

± WARNING: Cancer and Reproductive Harm – [www.P65Warnings.ca.gov](http://www.P65Warnings.ca.gov)

### REPLACEMENT PARTS FOR TAPPET COVERS

Descriptions	Part #	MSRP
Gasket	each <b>33-5303-S</b> 18635-99B	\$3.95
	2 pack <b>33-5303-2</b> 18635-99B	\$6.95
Screw w/flat washer, Zinc	each <b>50-0092-S</b> 4741A	\$2.95
	4 pack <b>50-0092P</b> 4741A	\$5.95
Screw, Chrome	each <b>50-0482</b> ±	\$3.95
Washer, Flat, Chrome	each <b>50-7017</b> ±	\$2.95

± WARNING: Cancer and Reproductive Harm – [www.P65Warnings.ca.gov](http://www.P65Warnings.ca.gov)

All reference to HD® part numbers is for identification purposes only. We in no way are implying that any of S&S Cycle's products are original equipment parts or that they are equivalent to the corresponding HD® part number shown.

# HYDRAULIC LIFTER LIMITED TRAVEL SPACER (HL<sub>2</sub>T)

## FITMENT

- Stock 1999–'16 big twin
- All S&S tappets

## FEATURES AND BENEFITS

- Designed to limit the range of travel of the hydraulic tappet plunger - Easier starting
- Low noise and positive valve train activation
- More horsepower at higher RPMs



### HYDRAULIC LIFTER LIMITED TRAVEL SPACER

Description	Part #	MSRP
Set of four spacers (fits tappets with .612" I.D.)	<b>33-5338</b> 18526-89A	\$21.95

Adjustable pushrods must be used with HL<sub>2</sub>T kit in order to obtain proper plunger position. If replacing lifters in a 1999-'02 with HD® #18538-99B, order S&S part #33-5338.

# QUICKEE ADJUSTABLE PUSHRODS

GLOSS BLACK ALSO AVAILABLE

## FITMENT

- 1999–'17 big twins (except 2017 touring models) w/stock engine height +/- .050"

## FEATURES AND BENEFITS

- Adjustable to accommodate all tappets and cam base circle diameters and engine heights
- Easy to install – removal of rocker box not needed
- Perfect for S&S HL<sub>2</sub>T
- No threads on wrench flats
- Also available in gloss black

## KIT CONTENTS

- Pushrods, chrome pushrod covers, o-rings, and cover keepers



When a Quickee adjustable pushrod is collapsed, it can easily be installed or removed from an assembled engine.



## QUICKEE ADJUSTABLE PUSHRODS

Description	Part #	MSRP
Gloss Black Pushrod Kit <i>(includes black pushrod covers, o-rings &amp; cover keepers)</i>	<b>930-0143</b>	\$272.95
Chrome Pushrod Kit <i>(includes chrome pushrod covers, o-rings &amp; cover keepers)</i>	<b>106-6051</b>	\$246.95
Pushrods Only*	<b>93-5122</b>	\$167.95

Longer keepers are required for taller than stock engines. See page 183 for pushrod cover keepers.

\*1984–99 style pushrod covers are required for access to the Quickee Adjustable Pushrod adjusters in 2007–'12 big twins. See page 183 for pushrod covers.

⚠️ WARNING: Cancer and Reproductive Harm – www.P65Warnings.ca.gov

# STANDARD ADJUSTABLE PUSHRODS

## FITMENT

- 1999–'17 (except '17 touring)
- Lengths available for various displacements

## FEATURES AND BENEFITS

- Adjustable to accommodate all tappets & cam base circle diameters
- Perfect for HL<sub>2</sub>T kits

## KIT CONTENTS

- Pushrods, chrome pushrod covers, tappet cover gaskets, o-rings, cover keepers



## STANDARD ADJUSTABLE PUSHRODS FOR HARLEY-DAVIDSON® TWIN CAM 88®

Displacement	Engine Height	Cylinder Length	Pushrod Kit <sup>±</sup>	MSRP	Pushrods Only	MSRP	Pushrod Covers <sup>±</sup>	MSRP	Cover Keepers <sup>±</sup>	MSRP
88", 95", 96", 103", 106"	Stock	4.937"	<b>93-5095</b>	\$197.95	<b>93-5096</b>	\$121.95	<b>106-1340</b>	\$154.95	<b>93-4100</b>	\$31.95
124"	+ .096"	5.013"	–	–	<b>93-5098</b>	\$121.95	<b>106-1340</b>	\$154.95	<b>93-4115</b>	\$39.95
T143	+ .2875"	5.057"	–	–	<b>930-0103</b>	\$144.95	<b>106-1340</b>	\$154.95	<b>93-4102</b>	\$31.95
Special Order	Specify	Specify	–	–	<b>93-5102</b> **	Call for Pricing	–	–	<b>93-4109</b> *	Call for Pricing

\*Custom, extra long stainless steel 4.250", customer to cut to required length

\*\*Special Order: Download the Special Order Form at [ssycle.com/soforms](http://ssycle.com/soforms)

⚠️ WARNING: Cancer and Reproductive Harm – www.P65Warnings.ca.gov

# NON-ADJUSTABLE PUSHRODS

## FITMENT

- 1999–'06 Harley-Davidson® Twin Cam 88® big twin engines
- S&S T111

## FEATURES AND BENEFITS

- Replaces stock pushrods perfectly
- 7/16" high strength chromoly steel tubing for increased strength
- Pushrods are marked with stock color code and valve position for easy installation

## NON-ADJUSTABLE PUSHRODS—PUSHRODS ONLY

Fitment	Part #	MSRP
1999-up	<b>930-0046</b>	\$71.95
T111	<b>930-0144</b>	\$66.95



# PUSHROD COVERS & RELATED PARTS

## FITMENT

- 1999–'17 big twins

### PUSHROD REPLACEMENT PARTS

Description		Part #	MSRP
Pushrod Cover Kit (includes top & bottom covers, cover cap, cover spring, spring washer, & o-rings for four pushrods)	Chrome	<b>106-1340</b>	\$154.95
	Gloss Black	<b>930-0124</b>	\$167.95
Top Cover	each	<b>93-4016</b> 17935-66T, 17935-79B	\$13.95
Bottom Cover	each	<b>93-4015</b> 17938-83	\$14.95
Cover Cap	each	<b>93-4017</b> 17945-36B	\$9.95
Cover Spring	each	<b>93-4018</b> 17947-36	\$2.95
Cover Cap Washer	each	<b>50-7131</b> 6762B	\$2.95
Pushrod O-ring kit (includes top, middle, and bottom o-rings for four pushrods)		<b>93-4022</b>	\$7.95
Top O-ring	each	<b>50-8039</b> 11293, 11157, 11101, 11190	\$2.95
Middle O-ring	each	<b>50-8038</b> 11132A	\$2.95
Bottom O-ring	each	<b>50-8037</b> 11145A	\$2.95



### PUSHROD COVER KEEPER SETS FOR 2007–'17 BIG TWINS

Length	S&S Tubes	Part #	MSRP
2.400"	All stock height TC 96/103	<b>93-4070</b> ± 17950-48	\$31.95
2.500"	Chrome	<b>93-4100</b> ±	\$31.95
	Gloss Black	<b>930-0142</b>	\$62.95
2.600"	124"	<b>93-4101</b> ±	\$31.95
2.800"		<b>93-4115</b> ± 17950-86	\$31.95
2.900"	143"	<b>93-4102</b> ±	\$31.95
3.000"		<b>93-4103</b> ±	\$31.95
3.100"		<b>93-4104</b> ±	\$31.95
3.200"		<b>93-4105</b> ±	\$31.95
3.330"		<b>93-4106</b> ± 17949-40, 17950-66	\$31.95
3.500"		<b>93-4107</b>	\$31.95
3.625"		<b>93-4108</b> ±	\$31.95
4.250"*		<b>93-4109</b>	\$39.95



All S&S pushrod keepers are chromed steel, except part #93-4109. Keeper part #93-4109 is intended for unusually tall engines. It is manufactured of unchromed stainless steel to prevent rust or peeling after it is trimmed to the required length.

\*Custom, extra long stainless steel 4.250", customer to cut to required length

± WARNING: Cancer and Reproductive Harm – www.P65Warnings.ca.gov

# SIDEWINDER® .650" VALVE SPRINGS

### FITMENT

- Twin Cam 88® big twins w/stock heads (both 7mm and 5/16" valve stems)
- All S&S Super Stock® heads (5/16" valve stems)

### FEATURES AND BENEFITS

- Works well with cams up to .650" lift
- Manufactured from ultra clean high silicon Kobe alloy wire then micro shot peened and nitrided
- CNC machined 9° locks
- High performance conical single wire spring
- Chromoly forged retainers

### KIT CONTENTS

- Valve keepers, Top & Bottom collars, Springs, Shims

### SIDEWINDER .650" VALVE SPRING KITS

Description	Part #	MSRP
1999–'04 (5/16" valve stems) *	<b>900-0050</b>	\$209.95
2005–'17 big twins (7mm stems) <i>except 2017 touring models</i>	<b>106-5909</b>	\$209.95

\*Does not include seals

S&S® .SIDEWINDER .650" VALVE SPRINGS SPECIFICATIONS				
Lift	Installed Height	Seat Force	Force @ Max Lift	Max RPM
.650"	1.860"	178 lb.	376 lb.	6500



106-5909

### NOTE

S&S recommends roller rocker arms be used with lifts over .585"

# STREET PERFORMANCE .585"

### FITMENT

- Twin Cam 88® big twins w/stock heads (both 7mm and 5/16" valve stems)
- All S&S Super Stock® heads (5/16" valve stems)

### FEATURES AND BENEFITS

- Single wire conical shape
- Suitable for high performance applications
- Accommodates camshaft lift to 0.585"

### STREET PERFORMANCE .585" SPRING KITS

Description	Part #	MSRP
1999–'04 big twins (5/16" valve stems)	<b>900-0593</b>	\$131.95
2005–'17 big twins (7mm stems) <i>except 2017 touring models</i>	<b>900-0594</b>	\$146.95
All S&S Super Stock Heads	<b>900-0595</b>	\$131.95

S&S® .STREET PERFORMANCE .585" VALVE SPRINGS SPECIFICATIONS			
Lift	Installed Height	Seat Force	Force @ Max Lift
.585"	1.85"	135 lb.	325 lb.



900-0594

VALVE SPRING REPLACEMENT PARTS: SEE PAGE 220



# FORGED ROCKER ARMS

## FITMENT

- 1999–'17 big twins (except '17 touring)

## FEATURES AND BENEFITS

### ROLLER ROCKER ARMS

- Extremely durable rollers reduce valve stem side thrusting with high lift cams
- Superior wear and fatigue resistance even in the most demanding applications
- ¾" long bushings provide 50% more bushing support area than ½" long bushings

### STANDARD ROCKER ARMS

- ¾" long bushings provide 50% more bushing support area than ½" long bushings

## KIT CONTENTS

- 2 front and 2 rear rocker arms



900-4065A

## FORGED ROLLER ROCKER ARM KIT

Description	Part #	MSRP
2 front and 2 rear rocker arms	<b>900-4065A</b>	\$545.95

Adjustable pushrods must be used with S&S roller rocker arms to obtain proper valve clearance.  
New rocker arm shafts are recommended for maximum performance and rocker life.

## STANDARD FORGED ROCKER ARM KIT

Description	Part #	MSRP
2 front and 2 rear rocker arms	<b>900-4119A</b>	\$272.95

New rocker arm shafts are recommended for maximum performance and rocker life.



900-4119A

## 1.725:1 RATIO ROLLER ROCKER ARMS

Description	Part #	MSRP
1.725:1 Ratio Roller Rocker Arm Set	<b>900-4098A</b>	\$586.95
Front exhaust/Rear Intake <i>each</i>	<b>900-4098FA</b>	\$178.95
Rear exhaust/Front Intake <i>each</i>	<b>900-4098RA</b>	\$134.21



900-4098A

## ROCKER ARM SHAFTS

Description	Part #	MSRP
Set of 4 17611-838	<b>90-4036</b>	\$38.95
Individual 17611-838	<b>90-4006</b>	\$11.95

New rocker arm shafts are recommended for maximum performance and rocker life.

## REPLACEMENT PARTS FOR FORGED ROCKER ARMS

Rocker Arm Type	Description	Part #	MSRP
Roller	Front exhaust or rear intake rocker arm	<b>900-4065FA</b>	\$157.95
	Rear exhaust or front intake rocker arm	<b>900-4065RA</b>	\$157.95
Standard 17375-83A	Front exhaust or rear intake rocker arm	<b>900-4119FA</b>	\$94.95
	Rear exhaust or front intake rocker arm	<b>900-4119RA</b>	\$94.95
Roller	Rebuild kits (rebuilds 4 rocker arms)	<b>90-4104</b>	\$131.95
Roller & Standard	Rocker arm bushing (¾" long)	<b>90-4014</b>	\$9.95



90-4036



90-4104

## NOTES

- S&S roller rocker arms are recommended for use with cams having more than 0.585" of lift.
- Adjustable pushrods must be used with S&S roller rocker arms to obtain proper valve clearance.
- New rocker arm shafts are recommended for maximum performance and rocker life.
- The use of 1.725:1 ratio rocker arms will increase stress on cams, tappets, and pushrods. For this reason they are recommended for racing only and not for street applications.

All reference to HD® part numbers is for identification purposes only. We in no way are implying that any of S&S Cycle's products are original equipment parts or that they are equivalent to the corresponding HD® part number shown.

# CNC PORTED CYLINDER HEAD SERVICES

## FITMENT

- Available for 1999–2017 big twin engines (except Twin-Cooled™ models & '17 touring)
- Ideal for 88"–24" engines (must use Screamin' Eagle® high flow injectors, HD® #27796-08, with kits over 106")

## FEATURES AND BENEFITS

- CNC machined ports for a consistent performance increase from stock heads
- Great throttle response, high velocity port without losing low RPM torque
- Assembled with performance valves and springs ready to bolt-on
- Choice of .585" or .650" lift valve springs
- Combustion chambers are available in the following volumes:
  - 83cc—Generally used for stock 88" up to 106" engine displacements
  - 85cc—Same as stock Twin Cam 88® and 96™ engine displacements
  - 87cc—Recommended for up to 117" engine displacements
  - 90cc—Generally used for 124" and up engine displacements
- Available in factory black or silver



106-5880



WATCH THE S&S CNC PORTING VIDEOS AT  
SSCYCLE.COM/MEDIA/VIDEOS

## S&S CNC PORTING SERVICE OPTIONS

### REWORK SERVICE

- Send your stock heads to S&S
- Get the same set of heads back with CNC machined ports
- The best option for heads with a special cosmetic treatment
- Allow 1 week turn-around (does not include shipping)

### CUSTOM CNC PORT DUPLICATION

- S&S can digitize your port design and machine it in your heads, ask an S&S customer service rep for details

## CNC PORTING SERVICE

Fitment	Part #	MSRP
1999–2017 big twins (except for twin cooled models & '17 touring)	106-5880	\$949.95

DISCLAIMER: NOT LEGAL FOR SALE OR USE IN CALIFORNIA ON ANY POLLUTION CONTROLLED MOTOR VEHICLE. Not legal for sale or use on any EPA pollution controlled motor vehicle.

## S&S® CNC PORTING SERVICE SPECIFICATION COMPARISON

Heads	Valve Size		Max Valve Lift	Max TDC Lift		Port Flow		Chamber Volume
	Intake	Exhaust		Intake	Exhaust	Intake	Exhaust	
Stock	1.805"	1.575"	.585"	–	–	216.2 cfm	191.8 cfm	85cc
CNC Ported by S&S	1.900"	1.610"	.650"	.230"	.215"	248.6 cfm	209.7 cfm	83cc**

\*Flow testing performed on a SuperFlow® 1020 flow bench at 28" of water test pressure at .600" lift. Heads tested are 2006–'12 style.

Heads	COMPRESSION RATIO								
	88"	95"	96"	97"	103"	106" Stroker	106" Big Bore	117" DD Piston	124" DD Piston
Stock	9.0:1	9.2:1	9.2:1	9.7:1	10.1:1	10.1:1	10.0:1	10.0:1	10.7:1
CNC Ported by S&S	9.2:1	9.4:1	9.4:1	9.9:1	10.3:1	10.3:1	10.2:1	10.2:1	10.9:1

\*\*As a general rule of thumb, for every 1cc decrease in chamber volume equals a .1 increase in compression ratio.

## NOTES

CNC porting is not available for previously ported heads, heads that have been structurally damaged, or heads that are determined to be unserviceable during initial inspection. These heads will be returned to the customer without modification. In these cases, the customer will be notified and options will be reviewed. New, CNC ported stock heads or S&S heads are available for purchase.

Due to variations in stock cylinder head castings, all inside surfaces of the ports may not "clean up" during machining. As a result, the inside of one or more ports may not appear to be completely machined. This does not effect performance and is not considered a defect.

Fuel injection tuning required.

CNC porting is not currently available for Harley-Davidson® CVO engines or Screamin' Eagle® cylinder heads.

Must use Screamin' Eagle® high flow injectors, HD® #27796-08, with kits over 106"

S&S recommends using a S&S Throttle Hog throttle body when installing S&S CNC ported heads to achieve full horsepower performance potential.

# B2 HEADS WITH STOCK BOLT PATTERN

## CNC PORTED B2 SPECIAL APPLICATION CYLINDER HEADS

High performance just got a lot easier and more affordable. In the past, S&S B2 Special Application heads, that were used on the now legendary Tribute 145 engines, were often hailed as the best choice for very large displacement v-twin engines. S&S Cycle's B2 CNC ported heads are even better, providing added convenience, economy, and performance at the same time. Convenient because they now fit 2008-later bagger front motor mounts and the new two bolt exhaust-mounting flange is a lot easier to work with. Economical because riders can use stock exhaust pipes, or existing 2" header systems. The increased performance comes from the increased flow of the CNC ported intake and exhaust ports.

Kits do not include gaskets, hardware, or intake and exhaust flanges. These parts must be purchased separately. See next page.



900-0458

### FITMENT

- 1999-'16 big twin engines 4 1/8" bore, stock bolt pattern (in stock, off-the-shelf\*)  
\*S&S only stocks the late model 4 1/8" bore versions as off-the-shelf items, but heads for other applications and individual front or rear replacement heads are available by special order.
- 1999-'16 big twin engines 4 1/8" bore and larger with S&S or other bolt pattern (special order only)
- 1984-'99 big twin engines 4 1/8" bore and larger (special order only)
- S&S SB-Series 4 1/8" bore and larger engines for 1986-'03 Sportster® models (special order only)
- Old style B2 replacement heads still available by special order

### FEATURES AND BENEFITS

- 106cc combustion chambers
- Oval intake ports bolt up to S&S Throttle Hog 70mm throttle bodies (08-up touring applications only)
- Stock style breather system – compatible with stock and aftermarket air cleaners
- Large 2.200" intake and 1.800" exhaust valves
- .660" lift S&S valve springs with titanium top collars
- Machined for stock sensors – EFI ready
- Available in Wrinkle Black (WBlack) or Silver Powder coat

### OPTIONS BY SPECIAL ORDER

- CNC ported intake and exhaust ports – more air, more power!
- Two-bolt exhaust flanges – Can accommodate stock exhaust headers, existing 2" headers, or build your own 2" exhaust system
- Machined for 2008-later bagger front motor mount
- Select heads for 1984-'99 or 1999-'15 big twin style, or 1986-'03 XL
- 4 1/8" to 4 3/8" bore sizes
- Stock 1999-up, S&S, or other cylinder stud patterns – other patterns subject to approval
- Machined with or without S&S electric compression release
- Choose from a variety of pushrod geometry machining styles
- Choose from a variety of different chamber sizes
- Individual front of rear heads available by special order
- Available in Wrinkle Black (WBlack), Gloss Black, Silver, or Natural

### B2 HEADS WITH STOCK BOLT PATTERN

Finish	Part #	MSRP
Silver Powder Coat	<b>900-0450</b>	\$2,519.95
WBlack Powder Coat	<b>900-0458</b>	\$2,519.95
<b>Special Order B2 Cylinder Heads</b>		<b>106-6385*</b> Call for Pricing

\*Head Kits include valves and valve springs. Head sets w/o valves or springs individual front or rear heads are available by special order.

\*Download the Special Order Form at [sscycle.com/soforms](http://sscycle.com/soforms)  
DISCLAIMER: NOT LEGAL FOR SALE OR USE IN CALIFORNIA ON ANY POLLUTION CONTROLLED MOTOR VEHICLE. Not legal for sale or use on any EPA pollution controlled motor vehicle.

### ADDITIONAL PARTS REQUIRED

Product Description	Part #	MSRP
Special 4 1/8" Bore Pistons & Ring Set	Standard	<b>92-1580</b> \$515.95
	+ .010"	<b>92-1581</b> \$515.95
Special Length Pushrods (+.250")	For 124" engines	<b>93-5106</b> \$121.95
	Stock height engines	<b>93-5098</b> \$121.95
Intake Manifold	Carbureted engines	<b>16-3629*</b> Call for Pricing
	EFI engines	<b>N/A</b> –
Intake Manifold Flange Kits	All B2 heads	<b>16-0250</b> \$146.95
	B2 to stock header	<b>550-0216</b> \$115.95
Exhaust Adaptor Kit	B2 to existing 2" header	<b>550-0217</b> \$136.95
	Stock & 2" header	<b>550-0218</b> \$262.95

\*Download the Special Order Form at [sscycle.com/soforms](http://sscycle.com/soforms)

**REPLACEMENT PARTS: SEE PAGE 122**

## NOTES

Heads are .230" taller than stock – requires special pushrods and/or frame clearancing or motor mount modifications  
Exhaust pipe adaptor kits and other parts must be purchased separately. See "Additional Parts Required" chart.  
See page 216 for replacement parts.

# SUPER STOCK® CYLINDER HEADS

## FITMENT

- 1999–'05 big twins (2006 model year heads can be found in Section 2)

## FEATURES AND BENEFITS

- Heads can be decked up to .060" to increase compression
- 79cc heads have 1.940" intake and 1.575" exhaust valves
- 89cc heads have 2.000" intake and 1.605" exhaust valves
- 91cc heads have 2.000" intake and 1.605" exhaust valves
- S&S .585" or .650" lift valve springs

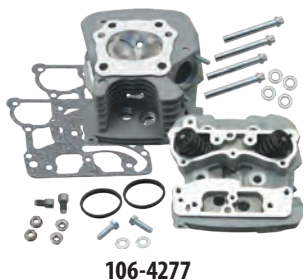
- Stock Harley-Davidson® rocker boxes can be retained if S&S manual compression release or S&S Easy Start cams are used. Must use S&S valve cover gasket kit part #90-4120 with stock rocker covers
- Stock bolt pattern heads include rocker base gaskets

## OPTIONS

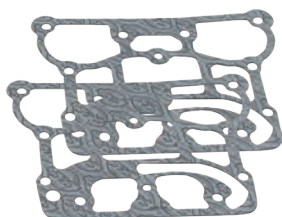
- With or with out compression release machining  
(Compression release machining is for S&S compression releases)
- Silver powder coat or wrinkle black (WBlack) powder coat finish

COMPRESSION RATIOS FOR S&S® SUPER STOCK® CYLINDER HEADS FOR 1999-'06 BIG TWINS									
Configuration	88"	95"	97" Big Bore	103"	106" Stroker	110"	111"	117"	124"
79cc	9.1	9.6/10.3*	10.3	10.2/11.1*	10.7	10.8	–	–	–
89cc	8.3	8.7/9.3*	9.4	9.3/10.1*	9.8	9.8	–	–	–
91cc	–	–	–	–	–	9.6	9.75	10.2	10.4

\*S&S pop-up piston



106-4277



90-4120

S&S valve cover gasket kit #90-4120 must be used with stock rocker covers. Included with Stock Bolt Pattern Super Stock® Head Kits.

## STOCK BOLT PATTERN\*

### S&S® SUPER STOCK® CYLINDER HEAD KITS

Fitment	Chamber Volume	Manifold Surface	Compression Release Machining	Springs	Finish	Part #	MSRP
1999-'05 bt	79cc		●	.650" lift	Silver	106-4277	\$1,348.95
				.585" lift		90-0254	\$1,212.95
			●	.650" lift	WBlack	90-1293	\$1,348.95
				.585" lift		90-0251	\$1,212.95
	89cc		●	.650" lift	Silver	106-4270	\$1,348.95
				.650" lift		WBlack	90-1106
1999-'05 bt** 4 1/8" Bore	91cc		●	.650" lift	Silver	-	-
				.650" lift		90-4272	\$1,417.95
			●	.650" lift	WBlack	90-1163	\$1,417.95
				.650" lift		90-1163	\$1,417.95
S&S T124 Engines	91cc	+.032		.650" lift	Silver	90-0465	\$1,417.95
				.650" lift		WBlack	90-0470
S&S T111 Engines	91cc	-.064		.585" lift	Silver	90-0475	\$1,417.95
				.585" lift		WBlack	90-0480

\*All stock bolt pattern Super Stock® head kits include S&S valve cover gasket kit part #90-4120 for use with stock rocker covers.

DISCLAIMER: NOT LEGAL FOR SALE OR USE IN CALIFORNIA ON ANY POLLUTION CONTROLLED MOTOR VEHICLE. Not legal for sale or use on any EPA pollution controlled motor vehicle.

## S&S® BOLT PATTERN

### S&S REPLACEMENT CYLINDER HEAD KITS FOR S&S T-SERIES ENGINES FOR 1999-'06 BIG TWINS



Description	Chamber Volume	Compression Release Machining	Springs	Finish	Part #	MSRP
S&S® T-Series Engines 4 1/8" Bore	91cc	●	.650" lift	Silver	106-4275	\$1,417.95
		●	.650" lift		WBlack	90-1371



ALL OTHER SPECIFICATIONS AND FINISHES ARE AVAILABLE THROUGH SPECIAL ORDER

\*Special Order: Download the Special Order Form at [sscycle.com/soforms](http://sscycle.com/soforms)

90-1060\* Call for Pricing

## TOP END GASKET KITS FOR 1999-'06 BIG TWINS

3 7/8" & 3.927" Bore	MSRP	4" Bore	MSRP	S&S 4 1/8" Bore (Graphite)	MSRP	Stock 4 1/8" Bore (Layered Steel)	MSRP
910-0465	\$83.95	90-1913	\$45.95	90-1910	\$49.95	90-1914	\$104.95

Includes a set of head and base gaskets, exhaust gaskets and o-rings.

REPLACEMENT PARTS:  
SEE PAGE 218

## NOTES

**79cc heads**

When 79cc stock compatible heads are used with stock HD® pistons, TDC lifts of up to .186" for intake and .179" for exhaust and can be used without additional valve pocket clearancing. This allows the use of S&S® 510, 570, and 585 camshafts. If cams with higher TDC lifts are used, or if the heads are decked, piston valve pocket machining will be required.

79cc heads may be decked as much as .060" to increase compression. If heads are decked, piston valve pockets must be re-machined.

Moderate valve spring force in S&S Super Stock® cylinder heads allows the use of camshafts designed for the stock style chain cam drive system. However, for maximum reliability and performance we recommend the S&S gear drive cams.

Must use S&S valve cover gasket kit part #90-4120 with stock rocker covers.

79cc Heads should not be used with any piston having a pop up dome.

**89cc heads**

If 89cc heads are used with stock pistons, valve reliefs must be machined in the pistons due to larger valve size.

89cc heads may be decked as much as .060" to increase compression. If heads are decked, valve-to-piston clearance must be checked. If stock pistons are used, valve pockets must be re-machined.

Moderate valve spring force in S&S® Super Stock® cylinder heads allows the use of camshafts designed for the stock style chain cam drive system. However, for maximum reliability and performance we recommend the S&S gear drive cams.

A larger intake manifold is recommended to supplement the heads in order to let them flow to their full potential.

Must use S&S valve cover gasket kit part #90-4120 with stock rocker covers.

**91cc heads**

By changing the profile and shape of the cooling fins on our heads for 4½" bore engines, a large reduction in the transmission of mechanical noise was found. This not only benefits our TÜV certified engines and our EPA approved engines, but our performance engines as well!

Since April 1, 2007, these redesigned heads have been installed on all S&S 4½" bore engines and Hot Set Up Kits.

Replacement heads of the old style are available by special order.

Must use S&S valve cover gasket kit part #90-4120 with stock rocker covers.

**MANIFOLD RECOMMENDATIONS**

S&S® manifolds for 1999-'06 carbureted engines are available to fit stock CV carburetors and S&S Super E and G carbs. Note that 2006 models require a slightly shorter manifold. (See "Important Manifold Information")

S&S single bore throttle body and manifold are recommended for engines with Magneti Marelli® and Delphi® fuel injection.

S&S single bore throttle body and manifold are recommended for 2006-'12, except 2008-'12 touring models. Due to the change in manifold flange mounting bolt pattern, stock flanges and S&S seal part #16-0235 must be used. The Screamin' Eagle® 58mm throttle body/manifold may also be used on 2006-'09 engines.

We recommend the stock 50 mm throttle body or Screamin' Eagle 58mm throttle body/manifold for 2008-up touring models with Electronic Throttle Control (ETC). These engines can be tuned with the Harley-Davidson® Super Tuner package, Pro EFI Super Tuner, Power Commander® or an aftermarket EFI tuning module or software tuner.

**IMPORTANT MANIFOLD INFORMATION**

In 2006, Harley-Davidson® changed the bolt pattern of the flanges that connect the manifold to the cylinder heads for all big twin engines. The pattern was changed from an offset bolt pattern to a symmetrical bolt pattern, so flanges can fit either the front or rear cylinder head. In addition, the intake port was moved slightly toward the drive side of the engine, making the port-to-port distance of the intake manifold slightly shorter. S&S® heads for 2006-up big twins are machined with the symmetrical bolt pattern and relocated port to allow for the fitment of stock manifolds. In 2008, Harley-Davidson touring models were equipped with electronic throttle control (ETC). The throttle body and manifold used on these engines is a one-piece unit that contains a servomechanism to control the position of the throttle plate. S&S recommends the S&S Throttle Hog throttle body for this application. This limits the cylinder length of engines using an ETC manifold/throttle body to stock length because the ETC manifold/throttle body units are only available in stock length. However, S&S does supply specially machined cylinder heads for our 124" Hot Set Up Kit® for 2008 and later baggers, which allows the use of a stock length manifold on these longer-than-stock engines.



**ORDERING NOTES:**

- Select the cylinder head kit that is correct for your application.
- Select a gasket kit for the bore size of your engine. (Refer to "S&S Top End Gasket Kits" chart on [page 188](#))
- Select an S&S manifold for your engine size or cylinder length and fuel system. (*Optional*)
- Select head bolt kit. ([See page 190](#))

**REPLACEMENT PARTS: SEE PAGE 218**

# HEAD BOLTS WITH WASHERS

## HEAD BOLT-INFORMATION CHART

Length w/ Washer	Washer Thickness	Head Bolt w/Washer	MSRP	Washers Only	MSRP
1.690"	.250"	<b>93-3028</b>	\$10.95	<b>50-7091</b>	\$2.95
1.840"	.150"	<b>93-3027</b>	\$10.95	<b>50-0418-S</b>	\$4.95
1.920"	.250"	<b>93-3036</b>	\$15.95	<b>50-7091</b>	\$2.95
2.070"	.150"	<b>93-3031</b> 	\$15.95	<b>50-0418-S</b>	\$4.95
2.220"	.250"	<b>93-3038</b>	\$15.95	<b>50-7091</b>	\$2.95
2.370"	.150"	<b>93-3032</b>	\$15.95	<b>50-0418-S</b>	\$4.95
3.134"	.250"	<b>93-3029</b>	\$15.95	<b>50-7091</b>	\$2.95
3.284"	.150"	<b>93-3030</b> 	\$15.95	<b>50-0418-S</b>	\$4.95
3.501"	.250"	<b>93-3037*</b>	\$15.95	<b>50-7091</b>	\$2.95
3.651"	.150"	<b>93-3033*</b>	\$15.95	<b>50-0418-S</b>	\$4.95

\*Drilled & tapped deeper to allow shortening for custom lengths.














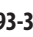






93-3027

## HEAD BOLT WASHERS

Thickness	Part #	MSRP
.150"	<b>50-0418-S</b>	\$4.95
.250"	<b>50-7091</b>	\$2.95

## HEAD BOLTS FOR HARLEY-DAVIDSON® TWIN CAM 88® AND TWIN CAM 96™ ENGINES

Engine Displacement	Stroke	Cylinder Length	Cylinder Head	Short Bolt w/Washer		Long Bolt w/Washer		Head Bolt Kit	
88", 95"	4"	4.935"	Stock HD®	<b>93-3031</b> 	\$15.95	<b>93-3030</b> 	\$15.95	<b>93-3014</b> 	\$118.95
			S&S®	—	—	<b>93-3030</b> 	\$15.95	<b>93-3070</b>	\$118.95
100"	4"	4.850"	Stock HD®	<b>93-3036</b>	\$15.95	<b>93-3030</b> 	\$15.95	<b>93-3014</b> 	\$118.95
			S&S®	—	—	<b>93-3029</b>	\$15.95	—	—
106" Stroker	4½"	4.935"	Stock HD®	<b>93-3031</b> 	\$15.95	<b>93-3030</b> 	\$15.95	<b>93-3014</b> 	\$118.95
			S&S®	—	—	<b>93-3030</b> 	\$15.95	<b>93-3070</b>	\$118.95
107"	4¼"	4.975"	Stock HD®	<b>93-3031</b> 	\$15.95	<b>93-3037</b>	\$15.95	<b>93-3012</b>	\$118.95
			S&S®	—	—	<b>93-3030</b> 	\$15.95	<b>93-3070</b>	\$118.95
111"	4⅞"	4.763"	Stock HD®	<b>93-3027</b>	\$10.95	<b>93-3030</b> 	\$15.95	<b>93-3010</b> 	\$82.95
			S&S®	—	—	<b>93-3029</b>	\$15.95	—	—
116"	4⅝"	5.160"	Stock HD®	<b>93-3038</b>	\$15.95	<b>93-3037</b>	\$15.95	<b>93-3016</b>	\$118.95
			S&S®	—	—	<b>93-3037</b>	\$15.95	<b>93-3071</b>	\$118.95
117"	4⅜"	4.888"	Stock HD®	<b>93-3031</b> 	\$15.95	<b>93-3030</b> 	\$15.95	<b>93-3014</b> 	\$118.95
			S&S®	—	—	<b>93-3030</b> 	\$15.95	<b>93-3070</b>	\$118.95
124"	4⅝"	5.013"	Stock HD®	<b>93-3038</b>	\$15.95	<b>93-3037</b>	\$15.95	<b>93-3016</b>	\$118.95
			S&S®	—	—	<b>93-3037</b>	\$15.95	<b>93-3071</b>	\$118.95

## CALCULATING CUSTOM HEAD BOLT LENGTHS

SEE INSTRUCTIONS ON PAGE 547



Dress up your engine with these magnetic chrome head bolt covers. Easy installation, no tools, no messy adhesives. A powerful magnet holds cover in place, yet allows easy removal. Chrome plated steel looks great on any engine, but is a must for polished engines. For S&S head bolts only.

### CHROME HEAD BOLT COVERS±

Set of 4	<b>50-0333</b>	\$69.95
----------	----------------	---------

±  WARNING: Cancer and Reproductive Harm – www.P65Warnings.ca.gov

# DIE-CAST ROCKER COVERS

## FITMENT

- All Twin Cam 88® big twins
- Sold as stock in 4 1/8" bore S&S engines

## FEATURES AND BENEFITS

- Special rocker arm supports are included
- S&S rocker covers are finished with show-quality chrome
- Installation on stock and most comparable sized engines can be performed without removing the engine from the frame
- Clearanced to permit valve lifts up to .640" using S&S valve spring packages and stock rocker arms or S&S roller rocker arms
- S&S rocker covers accept valve springs up to 1.660" O.D. without modification
- Exclusive one way valve built into the rocker cover gasket to control oil carry over

## KIT CONTENTS

- Front and rear covers
- All necessary gaskets and o-rings
- Mounting hardware



## DIE-CAST ROCKER COVER KIT±

Description	Part #	MSRP
Chrome 	<b>90-4110</b>	\$892.95

±  WARNING: Cancer and Reproductive Harm – www.P65Warnings.ca.gov

**ANY JOB IS EASY WITH THE RIGHT TOOLS**

S&S ROCKER COVER WRENCH SET, **SEE PAGE 519**

**REPLACEMENT PARTS: SEE PAGE 221**

## NOTES

If using valve spring packages with taller than stock installed height, some minor clearancing may be required.

Cylinder heads must be set up correctly for high lift cams, and it remains the builder's responsibility to confirm all clearances.

In most instances, only minor clearancing is required to use S&S rocker covers with valve springs larger than 1.660" O.D.

S&S® rocker covers are required if S&S cylinder heads are used with S&S electric compression releases.

# MANIFOLDS FOR CARBURETED BIG TWIN ENGINES

## FITMENT

- 1999–'06 big twins

## FEATURES AND BENEFITS

- Fits stock or S&S heads
- Fits stock or engines with taller cylinders

## NOTES

S&S manifolds require S&S style manifold o-rings.

S&S style o-rings must be used with these manifolds. S&S o-rings are slightly thinner to accommodate the larger S&S port diameter. Use of stock o-rings may cause damage. See page 207.



Manifold for S&S carburetors



Manifold for CV carburetor

### MANIFOLDS FOR 1999-2005 BIG TWIN ENGINES (REQUIRING MAP SENSOR\*MACHINING)

Engine Style and Displacement	Cylinder Length	Manifold Size	Super E	MSRP	Super G	MSRP
**88", 95" & 106" & S&S T-Series Engines	4.937"	410	<b>160-1718</b>	\$125.95	<b>16-2588</b>	\$125.95
Stock 2006 models	4.937"	405	<b>160-1717</b>	\$125.95	<b>16-2587</b>	\$125.95
**111" & S&S T-Series 111" Engines	4.763"	398	<b>160-4487</b>	\$125.95	<b>16-2604</b>	\$125.95
117" & S&S 117" Hot Set Up Kits	4.888"	408	–	–	<b>16-2603</b>	\$157.95
**124" & S&S T-Series 124" Engines	5.013"	417	–	–	<b>16-2598</b>	\$125.95
Special Order	Specify	–	<b>169-1639<sup>†</sup></b>	Call for Pricing	<b>16-2539<sup>†</sup></b>	Call for Pricing

<sup>†</sup>All S&S engines for 1984-'06 and 1999-up big twins equipped with S&S IST ignition system.

<sup>†</sup>Special Order: Download the Special Order Form at [sscycle.com/soforms](http://sscycle.com/soforms)

\*\*Some S&S heads have additional material on the manifold surface to allow the use of a stock length manifold (410) on a 99-06 111" and 124" engine. If you are not sure which manifold should be ordered, check fitment with the stock manifold first.

### CV MANIFOLDS – 1999-2005 BIG TWIN

Style/Displacement	(mm)	Manifold Size	Part #	MSRP
88", 95", 106" Twin Cam 88	40-45mm	410	<b>160-1722</b>	\$125.95
96 stock	48mm	410	<b>160-0001A</b>	\$125.95
Special order	Specify	–	<b>169-1725A*</b>	Call for Pricing

\*Special Order: Download the Special Order Form at [sscycle.com/soforms](http://sscycle.com/soforms)

### CV MANIFOLDS – 2006 & UP BIG TWIN

Style/Displacement	(mm)	Manifold Size	Part #	MSRP
96 stock	40-45mm	405	<b>160-1721</b>	\$125.95
96 stock	48mm	405	<b>160-0002A</b>	\$125.95
Special order	Specify	–	<b>169-1725A</b>	Call for Pricing

\*Special Order: Download the Special Order Form at [sscycle.com/soforms](http://sscycle.com/soforms)




16-0241



16-0242

### U-RINGS FOR CONSTANT VELOCITY CARBS

Size	Part #	MSRP
40-42mm	<b>16-0242</b> 	\$31.95
44-48mm	<b>16-0241</b>	\$26.95



16-0136-S



50-8372

### REPLACEMENT PARTS FOR MANIFOLDS

Description	Part #	MSRP
Manifold Fitting VOES Rubber Cap $\frac{3}{8}$ " I.D. x $\frac{5}{8}$ " O.D. x $\frac{1}{2}$ "	<b>50-8372</b>	\$2.95
Manifold Vacuum Fitting	<b>16-0136-S</b>	\$3.95

# MANIFOLDS FOR SINGLE BORE EFI BIG TWIN ENGINES

## FITMENT

- Stock height or taller than stock 1999-'05 bt (see page 102 for 2006 models)
- S&S 52mm or 58mm throttle bodies
- Stock or S&S heads
- S&S T-Series Long Block engines

## NOTE

S&S style o-rings must be used with these manifolds. S&S o-rings are slightly thinner to accommodate the larger S&S port diameter. Use of stock o-rings may cause damage.

### MANIFOLDS FOR SINGLE BORE EFI 1999-'05 BIG TWIN

Engine Displacement	Cylinder Length	Manifold Size	Part #	MSRP
**88", 95", 103", 106" & S&S T-Series Engines	4.937"	410	<b>16-5141</b>	\$199.95
124" Hot Set Up Kit (w/stock or S&S heads w/stock manifold geometry)	5.013"	417	<b>16-5139</b>	\$199.95
**S&S T-Series 111" Long Block engines	4.763"	398	<b>16-5136</b>	\$199.95
**S&S T-Series 124" Long Block engines	5.013"	417	<b>16-5139</b>	\$199.95

\*\*Some S&S heads have additional material on the manifold surface to allow the use of a stock length manifold (410) on a 99-06 111" and 124" engine. If you are not sure which manifold should be ordered, check fitment with the stock manifold first.





# THROTTLE HOG CABLE OPERATED THROTTLE BODIES

S&S cable operated Throttle Hog Throttle bodies are available for 2002–'17 Harley-Davidson® big twins using cable operated throttles. Choose from 58mm, for stock or mildly built engines, or the whopping 66mm Throttle Hog for big inch engines. More Air, More Power!

## FITMENT

- 2002–'05 Harley-Davidson EFI big twins with cable controlled throttles
- S&S EFI Hot Set Up Kit® installations and T-Series Long Block engines with cable controlled throttles

## FEATURES & BENEFITS

- More air flow for improved performance
- S&S Stealth air cleaners kit, with the proper bore sizes, are available
- Works with all air cleaner kits designed for throttle by wire engines with stock breather system
- One-piece design for easy installation and stock appearance
- Compatible with stock sensors, fuel rail, and throttle cables
- Black powder coat finish matches stock
- Sealed, stainless steel throttle shaft with dual roller bearings for smooth operation and no air leaks
- Kit includes hardened steel flanges and seals
- No stock throttle body exchange required!

### THROTTLE HOG CABLE OPERATED THROTTLE BODIES FOR 2002–2005 BT

Year	Size (mm)	Engine Fitment	Manifold Size	Part #	MSRP
2002–2005 bt	58	97", 98" & S&S T-Series Engines** (Engines produced after 2013)	410	<b>170-0337</b>	\$734.95
		S&S T-Series 111" Engines**	398	<b>170-0339</b>	\$734.95
		S&S 117" Hot Set Up Kits	408	<b>170-0340</b>	\$734.95
		S&S T-Series 124" Engines**	417	<b>170-0338</b>	\$734.95
	66	97", 98" & S&S T-Series Engines** (Engines produced after 2013)	410	<b>170-0342</b>	\$734.95
		S&S T-Series 111" Engines**	398	<b>170-0344</b>	\$734.95
		S&S 117" Hot Set Up Kits	408	<b>170-0343</b>	\$734.95
		S&S T-Series 124" Engines**	417	<b>170-0341</b>	\$734.95

\*\*Some S&S heads have additional material on the manifold surface to allow the use of a stock length manifold (405) on a 124" engine.

If you are not sure which manifold should be ordered, check fitment with the stock manifold first.

Cylinder heads on T-Series long block engines are 1999-'05 style. Owners of 2006 models will need to purchase a set of 1999-'05 style, offset intake flanges such as S&S #106-3516.

DISCLAIMER: NOT LEGAL FOR SALE OR USE IN CALIFORNIA ON ANY POLLUTION CONTROLLED MOTOR VEHICLE. Not legal for sale or use on any EPA pollution controlled motor vehicle.

**MAKE MORE POWER!**

**S&S AIR CLEANER KITS**

See Page 152

### REPLACEMENT FLANGE KITS

2002–2005 bt..... **160-0175** \$83.95



# SINGLE BORE EFI THROTTLE BODIES

**52MM:** Offering a 30% larger cross sectional area than stock throttle bodies, the S&S 52mm bore throttle body flows more than enough air for all but the most demanding street engines.

**58MM:** In response to constant requests for something bigger, S&S also offers a huge 58mm bore throttle body! Strictly for large displacement competition engines, this throttle body allows your engine to breathe easily and make more power!

### FITMENT

- 1999–'16 big twins (except 2008–up touring models with electronic throttle control)

### FEATURES AND BENEFITS

- Excellent performance
- Recommended tuning products:
  - S&S VFI
  - Cruise control compatible with no extra bracket

### KIT CONTENTS

- Throttle body assembly, Fuel injectors, Fuel rail, Harness adaptors, All necessary hardware, gaskets, and hoses



Seeing is believing. It's easy to see the differences in the bore sizes of a stock Harley-Davidson® throttle body and the S&S® 52mm or 58mm throttle bodies. How big do you want to go?

**REPLACEMENT PARTS:**  
**SEE PAGE 232**

**NEW & IMPROVED!**  
**CABLE-OPERATED THROTTLE HOGS PAGE 193**

**MAKE MORE POWER!**  
**S&S® STEALTH AIR CLEANERS ON PAGE 152**  
**S&S AIR CLEANER KITS FOR ON PAGE 155**

### SINGLE BORE EFI THROTTLE BODY/FUEL RAIL KITS

Fitment	52mm	MSRP	58mm	MSRP
1995–'01 EFI big twin (except Softail® models)	-	-	<b>106-4406</b>	\$900.95
2002–'05 EFI big twin & 2001 Softail models	<b>17-5067</b>	\$787.95	<b>106-4407</b>	\$787.95
2006–'16 EFI big twin*	<b>17-5070</b>	\$787.95	<b>106-4408</b>	\$787.95

\*except 2008–up touring models with electronic throttle control.

DISCLAIMER: NOT LEGAL FOR SALE OR USE IN CALIFORNIA ON ANY POLLUTION CONTROLLED MOTOR VEHICLE. Not legal for sale or use on any EPA pollution controlled motor vehicle.

If you plan to use another programmable fuel injection module, it is best to consult the manufacturer to be certain that it is compatible with the S&S single bore system and has enough tuning capability for your engine configuration.

Installation of S&S throttle body on 1995-'01 bikes requires S&S ECU. Single bore throttle bodies are not compatible with stock Magneti Marelli® ECU

# BLACK SUPER E & G CARBURETORS

### FEATURES AND BENEFITS

- Exclusive black coating — heat and chemical resistant
- Offered in standard venturi or increased venturi diameter — specially machined for 7% more flow

### BLACK CARBURETORS FOR 1984–2005 BIG TWINS

Fitment	Description	Part #	MSRP
Increased venturi diameter (7% more flow)	Super E Carb	<b>110-0099</b>	\$424.95
	Super G Carb	<b>110-0100</b>	\$451.95
Standard venturi diameter	Super E Carb	<b>110-0133</b>	\$440.95
	Super G Carb	<b>110-0138</b>	\$440.95

DISCLAIMER: NOT LEGAL FOR SALE OR USE IN CALIFORNIA ON ANY POLLUTION CONTROLLED MOTOR VEHICLE. Not legal for sale or use on any EPA pollution controlled motor vehicle.



## NOTES

These black carb kits do not include air cleaners. Air cleaner options are available starting on page 152. Manifolds are required. See page 192.

# SUPER E & G COMPLETE CARBURETOR KITS

## FITMENT

- 1999–'06 Twin Cam 88® engines
- S&S carbureted engines
- Custom v-twin applications

## FEATURES AND BENEFITS

- Four fuel delivery ports — Better throttle response
- O-ring sealed idle mixture screw
- Increased air flow for more power
- Adjustable accelerator pump for quick throttle response and easy starting
- Utilization of the factory dual cable system ensures safe operation
- Direct replacement and high quality fit and finish — less down time and better performance
- Variable position enrichment starting system

## KIT CONTENTS

- Super E or G carburetor
- S&S intake manifold
- Classic Teardrop air cleaner kit
- Mounting hardware
- Gaskets, seals and hoses
- Instructions



## SUPER E & G COMPLETE CARBURETOR KITS

Fitment	Super E	MSRP	Super G	MSRP
1999–'05 big twin	<b>11-0450</b>	\$640.95	<b>11-0451</b>	\$661.95
2006 big twin	<b>106-0874</b>	\$640.95	<b>106-0875</b>	\$661.95

## SUPER E & G CARBURETOR ONLY

Fitment	Super E	MSRP	Super G	MSRP
All Years & Models	<b>11-0420</b>	\$384.95	<b>11-0421</b>	\$419.95



As the throttle plate opens, it exposes more of these holes to engine vacuum and delivers more fuel as rpm increases. This o-ring around the idle mixture screw not only eliminates potential air leaks, but helps keep the screw from vibrating out of adjustment. "Made in USA" cast into carb body identifies this as a new style carb.

## REPLACEMENT PARTS: SEE PAGE 228

## NOTES

S&S® does not recommend polishing or chrome plating Super E & G carbs. Our repair department has seen many carbs with plugged passages due to polishing compounds, and some carbs that have been destroyed because the polishing or chrome plating had altered critical machined surfaces.

Recommended for closed circuit use only—S&S Super E & G carbs shown are not approved for use on motor vehicles operated on California public highways, or in other states where similar pollution laws may apply. The user shall determine the suitability of the product for his or her use and shall assume all risk and liability in connection therewith.

DISCLAIMER: NOT LEGAL FOR SALE OR USE IN CALIFORNIA ON ANY POLLUTION CONTROLLED MOTOR VEHICLE. Not legal for sale or use on any EPA pollution controlled motor vehicle.

## OPTION

Optional cruise control adapter kits allows riders to keep factory cruise feature on 1999–'06 models



## CRUISE CONTROL ADAPTER KIT

Fitment	Part #	MSRP
1999–'06 bt	<b>11-2927</b>	\$92.95

# TWO CABLE THROTTLE ASSEMBLIES

The S&S two cable throttle assemblies are high quality “pull open – pull close” type throttles designed for use on any two cable carburetor installations on bikes with 1” O.D. handlebars. A special soft plastic material used to mold the grips makes them look and feel exactly like stock grips. There are four different assemblies available to make installation on most chassis easy.

## TWO CABLE THROTTLE REQUIRED

S&S Super E and G carburetors require the use of a two cable, pull open–pull closed throttle assembly. Any chassis including 1980 and earlier stock models equipped with a single cable throttle mechanism requires conversion to a two cable, pull open–pull closed type. S&S offers high quality two cable throttle assemblies for this purpose. Stock big twin models from 1981 to present have a two cable throttle and should not require changing. Super E and G Carb kits for 1990 and later models come with the new longer throttle cable guide bracket which allows the use of the stock CV style throttle cables.



19-0440

## NOTE

The chart on this page is used only when using throttle cable bracket part #11-2339. This bracket is standard on all S&S Super E & G carburetor kits for big twins 1989 and earlier and all kits for Harley-Davidson® Sportster® models with the exception of the kit for 2004-'05 models. Carburetor kits for 1990 and later big twin models come with the longer cable bracket part #11-2338 for use with stock CV throttle cables. Super E and G carburetors ordered for big twin models 1981 and later are being shipped with the correct throttle cable bracket to fit the stock cables. Big twin carbs that are not year specific will be shipped with both cable brackets. All Sportster models 1988-'03 will still require conversion to butterfly style cables.

## THROTTLE CABLE APPLICATION CHART

Application	Fastening Method	Length Total Housing	Length Vinyl Housing	Open Side	MSRP	Close Side	MSRP
1996–Up Softai® (FXSTS, FXSTC, FLSTC, FLSTF) 1996–Up Dyna®	Snap-in	39"	35"	<b>19-0438</b>	\$62.95	<b>19-0439</b>	\$62.95
1996–Up All FLT models	Snap-in	48"	44"	<b>19-0464</b>	\$62.95	<b>19-0465</b>	\$62.95
1996–Up custom application	Snap-in	42"	38"	<b>19-0440</b>	\$62.95	<b>19-0441</b>	\$62.95

\*1998 and later required Harley-Davidson® throttle assembly #71831-96

\*\*1980 and earlier must be converted to dual cable throttle assembly.

## REPLACEMENT PARTS

Description	Part #	MSRP
S&S Universal Throttle Cable	<b>106-3520</b>	\$33.95
Throttle Grip Clamp Set 1985–'95	<b>106-3519</b>	\$38.95
Top Throttle Grip Clamp only	<b>19-0222</b>	\$16.95
Bottom Throttle Grip Clamp only	<b>19-0220</b>	\$16.95
Throttle Grip Clamp Screw <i>(Fits S&amp;S throttle assemblies: Part #19-0448, #19-0449, #19-0482, #19-0450, #19-0229)</i>	<b>50-0043</b>	\$3.95
Throttle Grip Set	<b>106-3521</b>	\$60.95
Right Hand Grip only	<b>19-0225</b>	\$37.95
Left Hand Grip only	<b>19-0226</b>	\$25.95
Cable Adjuster <i>(Fits S&amp;S throttle assembly part #19-0229)</i>	<b>19-0223</b>	\$4.95
Cable Adjuster Jam Nut <i>(Fits S&amp;S throttle assembly part #19-0229)</i>	<b>19-0227</b>	\$0.95
Handlebar Spacing Sleeve 4" x 1" O.D.—converts 3/8" handlebars to 1" O.D.	<b>19-0235</b>	\$18.95



# JETS & CARB REBUILD KITS FOR S&S SUPER E & G CARBURETORS

For those who need to rejet their carburetor because of engine modifications, exhaust modifications, or changes in altitude, we have extra jet kits available which are designed to cover most jetting situations.

## DEALER JET KITS<sup>±</sup>

Description	Part #	MSRP
S&S Carb Parts Kit (Contains needed parts to maintain S&S Super E and G carburetors)	<b>11-3103</b>	\$373.95
S&S Jet Kit (Includes 3 each of all intermediate jets and 5 each of all main jets, plus a main jet tool)	<b>11-3102</b>	\$348.95

<sup>±</sup> ⚠️ WARNING: Cancer and Reproductive Harm – www.P65Warnings.ca.gov



11-3103

## JET PACKS<sup>±</sup>

Description	Part #	MSRP
<b>Low Range Jet Pack – For jetting most stock and moderate performance engines.</b> <i>Includes one each intermediate jets (.025", .0265", .028", .0295") one each main jets (.062", .064", .066", .068", .070", .072", .074").</i>	<b>11-7270</b>	\$52.95
<b>High Range Jet Pack – For jetting some stock and all performance engines.</b> <i>Includes one each intermediate jets (.0295", .031", .032", .033") and one each main jets (.072", .074", .076", .078", .080", .082", .084").</i>	<b>11-7271</b>	\$52.95
<b>Master Jet Pack – For jetting all Super B, E, and G equipped engines.</b> <i>Includes one each intermediate jets (.025", .0265", .028", .0295", .031", .032", .033") and one each main jets (.062", .064", .066", .068", .070", .072", .074", .076", .078", .080", .082", .084").</i>	<b>11-7272</b>	\$89.95

<sup>±</sup> ⚠️ WARNING: Cancer and Reproductive Harm – www.P65Warnings.ca.gov



11-3102<sup>±</sup>

## INTERMEDIATE JETS - SERIES #94 INDIVIDUAL SELECTION<sup>±</sup>

Size	QTY	Part #	MSRP	Size	QTY	Part #	MSRP
<b>.025</b>	each	<b>11-0250</b>	\$10.95	<b>.032</b>	each	<b>11-0320</b>	\$10.95
	3 pack	<b>11-7107</b>	\$27.95		3 pack	<b>11-7112</b>	\$27.95
<b>.0265</b>	each	<b>11-0265</b>	\$10.95	<b>.033</b>	each	<b>11-0330</b>	\$10.95
	3 pack	<b>11-7108</b>	\$27.95		3 pack	<b>11-7113</b>	\$27.95
<b>.028</b>	each	<b>11-0280</b>	\$10.95	<b>.036</b>	each	<b>11-0360</b>	\$10.95
	3 pack	<b>11-7109</b>	\$27.95		3 pack	<b>11-7114</b>	\$27.95
<b>.0295</b>	each	<b>11-0295</b>	\$10.95	<b>.040</b>	each	<b>11-0400</b>	\$10.95
	3 pack	<b>11-7110</b>	\$27.95		3 pack	<b>11-7115</b>	\$27.95
<b>.031</b>	each	<b>11-0310</b>	\$10.95	<b>Blank</b>	each	<b>11-0000</b>	\$9.95
	3 pack	<b>11-7111</b>	\$27.95				

<sup>±</sup> ⚠️ WARNING: Cancer and Reproductive Harm – www.P65Warnings.ca.gov



11-7272<sup>±</sup>



106-3517<sup>±</sup>

Early Series #94 gas jets were stamped with single digit numbers. Conversions for these numbers are:

- |        |       |        |       |
|--------|-------|--------|-------|
| 1..... | .025" | 4..... | .033" |
| 2..... | .028" | 5..... | .036" |
| 3..... | .031" | 6..... | .040" |

## NOTES

No returns or exchanges on jets.  
Refer to Section 10: Racing for the S&S fuel and turbo carburetors.

## MAIN JETS - SERIES #72 INDIVIDUAL SIZE SELECTION<sup>±</sup>

Size	QTY	Part #	MSRP	Size	QTY	Part #	MSRP
.040	each	<b>11-4040</b>	\$9.95	.080	each	<b>11-4080</b>	\$9.95
	5 pack	<b>11-7220</b>	\$38.95		5 pack	<b>11-7240</b>	\$38.95
.042	each	<b>11-4042</b>	\$9.95	.082	each	<b>11-4082</b>	\$9.95
	5 pack	<b>11-7221</b>	\$38.95		5 pack	<b>11-7241</b>	\$38.95
.044	each	<b>11-4044</b>	\$9.95	.084	each	<b>11-4084</b>	\$9.95
	5 pack	<b>11-7222</b>	\$38.95		5 pack	<b>11-7242</b>	\$38.95
.046	each	<b>11-4046</b>	\$9.95	.086	each	<b>11-4086</b>	\$9.95
	5 pack	<b>11-7223</b>	\$38.95		5 pack	<b>11-7243</b>	\$38.95
.048	each	<b>11-4048</b>	\$9.95	.088	each	<b>11-4088</b>	\$9.95
	5 pack	<b>11-7224</b>	\$38.95		5 pack	<b>11-7244</b>	\$38.95
.050	each	<b>11-4050</b>	\$9.95	.090	each	<b>11-4090</b>	\$9.95
	5 pack	<b>11-7225</b>	\$38.95		5 pack	<b>11-7245</b>	\$38.95
.052	each	<b>11-4052</b>	\$9.95	.092	each	<b>11-4092</b>	\$9.95
	5 pack	<b>11-7226</b>	\$38.95		5 pack	<b>11-7246</b>	\$38.95
.054	each	<b>11-4054</b>	\$9.95	.094	each	<b>11-4094</b>	\$9.95
	5 pack	<b>11-7227</b>	\$38.95		5 pack	<b>11-7247</b>	\$38.95
.056	each	<b>11-4056</b>	\$9.95	.096	each	<b>11-4096</b>	\$9.95
	5 pack	<b>11-7228</b>	\$38.95		5 pack	<b>11-7248</b>	\$38.95
.058	each	<b>11-4058</b>	\$9.95	.098	each	<b>11-4098</b>	\$9.95
	5 pack	<b>11-7229</b>	\$38.95		5 pack	<b>11-7249</b>	\$38.95
.060	each	<b>11-4060</b>	\$9.95	.100	each	<b>11-4100</b>	\$9.95
	5 pack	<b>11-7230</b>	\$38.95		5 pack	<b>11-7250</b>	\$38.95
.062	each	<b>11-4062</b>	\$9.95	.102	each	<b>11-4102</b>	\$9.95
	5 pack	<b>11-7231</b>	\$38.95		5 pack	<b>11-7251</b>	\$38.95
.064	each	<b>11-4064</b>	\$9.95	.104	each	<b>11-4104</b>	\$9.95
	5 pack	<b>11-7232</b>	\$38.95		5 pack	<b>11-7252</b>	\$38.95
.066	each	<b>11-4066</b>	\$9.95	.106	each	<b>11-4106</b>	\$9.95
	5 pack	<b>11-7233</b>	\$38.95		5 pack	<b>11-7253</b>	\$38.95
.070	each	<b>11-4070</b>	\$9.95	.110	each	<b>11-4110</b>	\$9.95
	5 pack	<b>11-7235</b>	\$38.95		5 pack	<b>11-7255</b>	\$38.95
.072	each	<b>11-4072</b>	\$9.95	.115	each	<b>11-4115</b>	\$9.95
	5 pack	<b>11-7236</b>	\$38.95		5 pack	<b>11-7256</b>	\$38.95
.074	each	<b>11-4074</b>	\$9.95	.120	each	<b>11-4120</b>	\$9.95
	5 pack	<b>11-7237</b>	\$38.95		5 pack	<b>11-7257</b>	\$38.95
.076	each	<b>11-4076</b>	\$9.95				
	5 pack	<b>11-7238</b>	\$38.95				
.078	each	<b>11-4078</b>	\$9.95				
	5 pack	<b>11-7239</b>	\$38.95				

<sup>±</sup> ⚠️ WARNING: Cancer and Reproductive Harm — www.P65Warnings.ca.gov

## MAIN JET AIR BLEED KIT<sup>±</sup> (One Jet Each Size)

Sizes	Part #	MSRP
.042" - .060"	<b>106-3517</b>	\$70.95
.084" - .120"	<b>106-3518</b>	\$56.95

<sup>±</sup> ⚠️ WARNING: Cancer and Reproductive Harm — www.P65Warnings.ca.gov

## S&S® CARBURETOR REBUILD KITS

To insure that you continue to get the utmost in performance from your S&S carburetor, we have put together a series of rebuild kits that are designed to provide the proper parts to return a worn carburetor to top shape. We have assembled different types of kits to cover the different degrees of rebuild necessary.

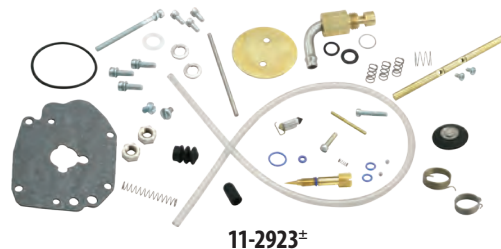
### MASTER REBUILD KITS

Master rebuild kits contain a body rebuild kit, accelerator pump rebuild kit (Super E and G only), all new fasteners, springs, idle mixture screw, seat, and needle assembly. Everything needed to completely rebuild one carburetor.

#### MASTER REBUILD KIT<sup>±</sup>

Description	Part #	MSRP
Super E	<b>11-2923</b>	\$89.95
Super G	<b>11-2924</b>	\$89.95

<sup>±</sup> ⚠️ WARNING: Cancer and Reproductive Harm — www.P65Warnings.ca.gov



### BODY REBUILD KITS

Body rebuild kits for Super E and G carbs also contain throttle shaft nuts, nylon washers, accelerator pump o-ring, and accelerator pump boot. Body rebuild kits for Super E and G carbs do not contain throttle shaft bushings since these carbs have stainless steel throttle shaft bushings already installed.

#### BODY REBUILD KIT<sup>±</sup>

Description	Part #	MSRP
Super E	<b>11-2906</b>	\$45.95
Super G	<b>11-2907</b>	\$45.95



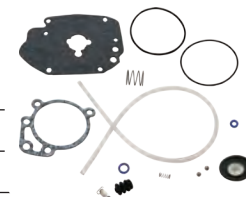
<sup>±</sup> ⚠️ WARNING: Cancer and Reproductive Harm — www.P65Warnings.ca.gov

### BASIC REBUILD KIT

A gasket and seal kit for low mileage Super E & G carbs. Perfect to reassemble carbs taken apart for inspection and cleaning.

#### BASIC REBUILD KIT<sup>±</sup>

Description	Part #	MSRP
Super E & G	<b>110-0067</b>	\$38.95



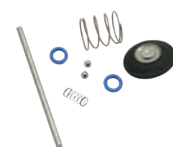
<sup>±</sup> ⚠️ WARNING: Cancer and Reproductive Harm — www.P65Warnings.ca.gov

### ACCELERATOR PUMP REBUILD KITS

Accelerator pump rebuild kits contain diaphragm, diaphragm spring, check balls, check ball spring, pump pushrod, and required hardware and o-rings.

#### ACCELERATOR PUMP REBUILD KIT

Description	Part #	MSRP
Super E & G	<b>11-2918</b>	\$21.95



# UNIVERSAL WIRING HARNESS FOR CUSTOM BIKES AND RACING APPLICATIONS

## FITMENT

- Custom and racing v-twin applications using Delphi® style EFI module
- Easy replacement for engine sub harness on 2002 through 2005 FL models
- 1995-'05 big twins – Useful for carb to Delphi EFI and Magneti Marelli® to Delphi EFI conversions
- Great for S&S X-Wedge® engines

## FEATURES AND BENEFITS

- Simple electrical hook up of all connections required to operate engines with Delphi® style EFI
- All cables are terminated with the correct factory crimped connectors
- Works the S&S, stock and most 36 pin aftermarket Delphi style EFI modules
- Compatible with S&S throttle bodies, as well as stock and most aftermarket throttle bodies
- Replaces stock engine sub-harness in 2002-'05 FL models, simplifies carb to EFI conversions



## UNIVERSAL WIRING HARNESS

Description	Part #	MSRP
For Custom and Racing Applications	<b>550-0264</b>	\$1,049.95

# COMPRESSION RELEASES

## FITMENT

- S&S cylinder heads for big twin

## OPTIONS

### MANUAL RELEASE:

Activated by a cable similar to a choke control, this slick system can be used with any style rocker cover.

### ELECTRIC RELEASE:

Solenoid operated, this system automatically opens and closes when the starter button is pressed and released. Convenient and simple, this is the best setup for big displacement high compression bikes. Requires S&S die cast rocker covers.



## COMPRESSION RELEASE KITS

Description	Part #	MSRP
Electric	<b>90-4915</b>	\$377.95

## TOOLS AND ACCESSORIES

Description	Part #	MSRP
S&S Two-Piece Socket Kit: <i>Allows in-frame installation of S&amp;S compression releases and protects wiring from damage during installation.</i>	<b>53-0045</b>	\$136.95
S&S Compression Release Hole Plug	<b>90-4916</b>	\$16.95

## REPLACEMENT PARTS

Description	Part #	MSRP
Silicone Solenoid Caps	<b>55-1009</b>	\$4.95
Wiring Harness 	<b>55-1010</b>	\$116.95
Electric Compression Release Assembly 	<b>90-4914</b>	\$157.95



## NOTES

S&S rocker covers must be used with electric compression releases due to clearance requirements for the solenoids.

Rocker covers must be removed when installing S&S® compression releases. If lack of frame clearance prevents removal of rocker covers, engine must be removed from frame for compression release installation.

In most cases, S&S compression releases can be installed while the engine is in the frame with the special S&S two-piece socket kit, part #53-0045.

If cylinder heads are machined for S&S compression releases, but compression releases are not used, special plug part #90-4916 (two required) must be installed to seal the machined hole.

Stock cylinder heads cannot be machined for S&S compression releases because there is not enough material in critical areas.

# VARIABLE FUEL INJECTION MODULES (VFI)

## FEATURES AND BENEFITS

- Directly replaces stock Harley-Davidson® fuel injection modules – plugs directly into stock wiring harness
- Includes ProTune II software and can be updated at [sscycle.com/tech-info/software/protune-ii](http://sscycle.com/tech-info/software/protune-ii)
- Three stage engine overheat protection helps prevent possible engine damage caused by improper modifications to fuel maps
- Altitude compensation automatically adjusts for altitude variations
- Live tuning allows manual changes to maps while the engine is running
- Self diagnostics and actuator test functions help tuning and verify proper installation/operation
- Engine light can be programmed to function as a shift light
- Closed loop capable
- Knock sensing ignition control (*USB Delphi® style unit only*)
- Optional closed loop sensor kit and knock sensor kit extend module capabilities
- Speedometer calibration function for 2004-up Harley-Davidson® models (*does not require installation of separate speedometer calibrator*)

## DELPHI® STYLE S&S VFI MODULE

### FITMENT

- Delphi® ECU equipped big twins

### KIT CONTENTS

- Delphi® style S&S VFI module
- ProTune II software
- USB port cover kit (part #55-5090 only)
- Installation instructions



55-5090

## CLOSED LOOP CAPABILITY

When equipped with a dual closed loop sensor kit and running in closed loop mode, VFI tuning becomes a breeze! S&S supplies base maps for several displacement groups, creating a starting point to get bikes up and running. Utilizing dual oxygen sensors (*sold separately*) placed in the exhaust, the S&S closed loop system modifies the base fuel map to meet the specific requirements of your engine!

- Automatic tuning on the street or on the dyno
- Each cylinder is tuned individually
- Fuel map changes are saved in the module and can be merged with the pre-loaded base map
- Works with stock oxygen sensors used on late model Harley-Davidson® motorcycles

Closed loop VFI can also automatically compensate fuel delivery for modifications creating up to a 20 hp gain, such as changes in:

- Displacement
- Cams
- Exhaust
- Head porting or installation of aftermarket heads

## NOTES

The Barometric Sensor Relocation kit (part #55-1599) is required for any complete S&S T-series engine installed in a 1995-2001 EFI touring chassis or any engine used in these applications using the S&S T-series oil pump where the stock cam position sensor cannot be used.



All current production S&S modules are closed loop compatible, and all older S&S modules can be updated with current calibration by simply downloading software from the S&S website at [www.sscycle.com/tech-info/software/protune-ii](http://www.sscycle.com/tech-info/software/protune-ii)

Please note that maps created for older versions of the VFI software are not compatible with the new closed loop software, however they can be converted to closed loop if desired.

Optional Delphi® style knock sensor adjusts timing to eliminate spark knock, prolonging engine life (55-5090 module only).

S&S VFI systems installed on 2004-up Harley-Davidson® models incorporate a speedometer calibration feature.

## DELPHI® STYLE S&S VFI MODULE

Fitment/Description	Part #	MSRP
VFI Module for 2001-'11 bt (except 2008-up touring and 2011 Softail®)	<b>55-5090*</b>	\$815.95
S&S Delphi Style VFI Closed Loop Sensor Kit 	<b>106-2066</b>	\$346.95
Knock Sensor Kit (55-5090 module only) 	<b>106-0810</b>	\$79.95

\*Special Order: Download the special order form at [sscycle.com/soforms](http://sscycle.com/soforms)

DISCLAIMER: NOT LEGAL FOR SALE OR USE IN CALIFORNIA ON ANY POLLUTION CONTROLLED MOTOR VEHICLE. Not legal for sale or use on any EPA pollution controlled motor vehicle.






## NOTE

Due to the extreme range of control offered by the S&S VFI modules, we recommend that they be installed and tuned by S&S Certified VFI Tuning Centers. Check [www.sscycle.com](http://www.sscycle.com) to find a tuning center near you.



# REPLACEMENT PARTS FOR S&S® VFI MODULES

## REPLACEMENT PARTS FOR S&S® VFI MODULES

Description		Part #	MSRP
S&S VFI Closed Loop Sensor Kit	Delphi® Style 	<b>106-2066</b>	\$346.95
Knock Sensor Kit (Delphi style only)		<b>106-0810</b>	\$79.95
Service Kit, O <sub>2</sub> Sensor		<b>106-2061</b>	\$125.95
Service Kit, DTM Pin		<b>55-1521</b>	\$2.95
Service Kit, Oxygen Sensor Boss	 	<b>55-6071-S</b>	\$16.95
Service Kit, Subharness	Delphi® Style	<b>55-1595</b>	\$146.95
Barometric Sensor Relocation Kit (See Notes)		<b>55-1599*</b>	\$40.95
Hardware Kit (USB Cover) (for 550-0001 & 55-5090 modules)		<b>55-5091</b>	\$7.95




106-2066

\*DISCLAIMER: NOT LEGAL FOR SALE OR USE IN CALIFORNIA ON ANY POLLUTION CONTROLLED MOTOR VEHICLE. Not legal for sale or use on any EPA pollution controlled motor vehicle.

## HIGH OUTPUT COILS

### HIGH OUTPUT COILS

Description	Part #	MSRP
S&S High Output 3.0Ω Single Fire Coil <i>The perfect complement for S&amp;S IST ignition systems. This single fire coil is actually two separate coils in a single package. Coil impedance is 3Ω per coil.</i>	<b>55-1571</b>	\$161.95
S&S High Output 0.5Ω Single Fire Coil  <i>High output 0.5Ω single fire coil for S&amp;S IST ignition.</i>	<b>55-1576</b>	\$139.95



55-1571



55-1576

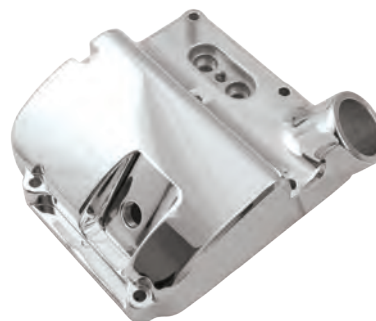
## TRANSMISSION TOP COVER

### CHROME TRANSMISSION TOP COVER†

Description	Part #	MSRP
Billet for 1999–'05 Dyna® Models	<b>106-3886</b>	\$419.95

This cover is required for proper oil line connection in 1999-'05 Dyna models when installing an S&S T124 engine or when installing S&S replacement crankcases. This top cover may also be used as stock replacement for 1999-'05 Dyna models.

†  WARNING: Cancer and Reproductive Harm – www.P65Warnings.ca.gov



## INNER PRIMARY BEARING RACE

### FITMENT

- All 1991–'06 big twins (except '06 Dyna®)



### INNER PRIMARY BEARING RACE

Fitment	Part #	MSRP
All 1991–'06 big twins (except '06 Dyna®)	<b>56-5089</b> 	\$61.95

### FEATURES AND BENEFITS

- Will not "walk" on transmission mainshaft
- Simple to install
- Prevents costly damage to mainshaft seal, output gear & output gear bearing

ANY JOB IS EASY WITH THE RIGHT TOOLS  
S&S INNER BEARING RACE PULLER, SEE PAGE 518

# VARIABLE PRESSURE CLUTCH

The VP clutch is the most cost effective kit for upgrading your HD® stock clutch without any modifications. Up to 40% more pressure for stronger clutch engagement.

## FEATURES AND BENEFITS

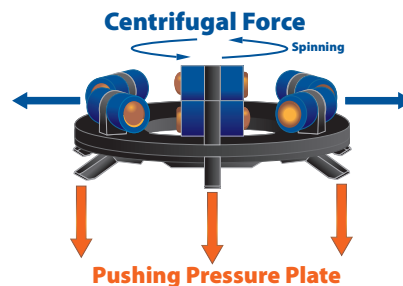
- Works like a lock up clutch
- Increased torque capacity: strength of engagement increases with RPM
- 10 minute installation
- Fits behind a stock derby cover and primary cover - No modification required
- Can be used with cable and hydraulic clutch controls

Does not fit: 2013 and later CVO™ and Tri Glide®, 2015 and later Ultra Limited Low and Electra Glide Classic Low Models with new HD® Assist and Slipper Clutch: 3 Stud Clutch Hub

Non-stock derby cover (including any special or 2003 anniversary cover) and 3 hole derby covers may require a derby



560-0242



Centrifugal force makes more clamping force. Regular clutches have static pressure only with clutch springs. The Lock up clutch has two different types of pressure. One is a Static Pressure, and another is a Centrifugal Force by Lock-up as an additional pressure.

## VARIABLE PRESSURE CLUTCH

Description	Part #	MSRP
1998–up big twins with 6 Stud Clutch Hub	560-0242	\$299.95

# HEAVY DUTY DIAPHRAGM SPRING

## FITMENT

- 1998–up big twin models

## FEATURES AND BENEFITS

- 380 lbs pressure, 25% stronger than stock
- Same pressure as Screamin' Eagle® heavy-duty spring
- Compatible with S&SVP and stock clutches

## HEAVY DUTY DIAPHRAGM SPRING

Description	Part #	MSRP
1998–up big twins	560-0244	\$35.95



560-0244

# GATES® HIGH STRENGTH FINAL DRIVE BELTS

S&S final drive belts by Gates are available with 14mm pitch in 1½" and 1⅞" widths. See the chart and match the width and number of teeth required for your vehicle. You can find this information in the vehicle service manual.



## ATTENTION CUSTOM BIKE MANUFACTURERS!

### SPECIAL ORDER BELTS FROM S&S® AND GATES®

Special belt sizes, private brand labeling, and assistance with belt drive design, are available to custom performance OEM's and aftermarket bike builders, through S&S. These products and services are available for licensed motorcycle manufacturers only, and a minimum order quantity may be required.

Drive belts with your company name imprinted on them are a perfect way to show off your brand. Any belt size currently available in the S&S catalog, as well as the special ordered sizes, can be specially branded. Minimum order quantities would apply.

Whether you're designing a completely new chassis, or simply need a replacement belt, S&S can help you find the belt you're looking for. Through the combined efforts of Gates and S&S, S&S can now provide customers with the technical assistance they need for designing new secondary belt drive systems. In addition, S&S can help you determine required tooth count for your existing chassis design, based on the pulley center-to-center distances and pulley tooth counts.

All belts have a 14mm tooth pitch, and are made of the super strong Gates Carbon X3N material. Belts are available in three standard widths of 1.125", 1.5" and 1.181" (30mm), but can be special ordered in nearly any width for a nominal charge. If you want a belt with a special tooth count, they are also available (see the special order chart for availability).

Contact your S&S Customer Support Representative for more information.

### SECONDARY DRIVE BELTS (14MM PITCH)

Teeth	1⅞" Wide	MSRP	1½" Wide	MSRP
125	<b>106-0357</b>	\$241.95	–	–
126	–	–	<b>106-0348</b>	\$241.95
127	–	–	<b>106-0349</b>	\$241.95
128	<b>106-0358</b>	\$241.95	<b>106-0350</b>	\$241.95
130	<b>106-0359</b>	\$241.95	<b>106-0351</b>	\$241.95
132	<b>106-0360</b>	\$241.95	<b>106-0352</b>	\$241.95
133	<b>106-0361</b>	\$241.95	<b>106-0353</b>	\$241.95
135	<b>106-0362</b>	\$241.95	<b>106-0354</b>	\$241.95
136	–	–	<b>106-0355</b>	\$241.95
139	<b>106-0363</b>	\$241.95	<b>106-0356</b>	\$241.95
149	<b>106-1338</b>	\$241.95	<b>106-2695</b>	\$280.95
156	–	–	<b>106-2827</b>	\$241.95

### BELTS AVAILABLE BY SPECIAL ORDER (14MM PITCH)

Tooth Count	1.181" (30mm) Width*	1.25" Width*
125	●	
126	●	●
127	●	●
128	●	
130	●	
131	●	●
132	●	
133	●	
135	●	
136	●	●
137	●	●
139	●	
140	●	●
149	●	
150	●	●
151	●	●
152	●	●
156	●	

\*Minimum order required: 1.181" (30mm) – 16 belts; 1.25" – 17 belts.

Milwaukee  
Twin Cam  
96°/103°/110°  
1999-2006  
Twin Cam 88°  
1986-2019  
Sportster® & Buell®  
2014-2019  
Street® & Street Rod®  
1984-1999  
Evolution®  
1926-1984  
Vintage Engines  
Indian® & Victory® Models  
Tools & Shop Supplies  
Apparel  
Warranty & Company Policy  
Appendix & Index

# GASKETS

## REBUILD GASKET KITS

### FOR S&S® T-SERIES 1999–UP ENGINES AND HOT SET UP KIT\*

1999–'06, 4 1/8", S&S base bolt pattern	<b>106-0976</b>	\$178.95
1999–'15, 4 1/8", Stock base bolt pattern	<b>310-0335</b>	\$231.95
1999–up T143 4.425" bore	<b>310-0751</b>	\$272.95

### TOP END GASKET KIT FOR TWIN CAM 88° AND S&S ENGINES

3 7/8" Stock Bolt Pattern	<b>90-9504</b>	\$104.95
4 3/8"	<b>90-9511</b>	\$136.95
4 1/8", with S&S® bolt pattern	<b>90-9506</b>	\$89.95
4 1/8", with Stock Cases	<b>90-9510</b>	\$136.95
4"	<b>90-9505</b>	\$83.95

### CYLINDER HEAD GASKET KITS T-SERIES 1999–UP

4 3/8" bore	<b>900-0800</b>	\$107.95
4 1/8", with S&S® bolt pattern	<b>90-1910</b>	\$49.95
4 1/8", with Stock bolt pattern	<b>90-1914</b>	\$104.95
4" with Stock bolt pattern	<b>90-1913</b>	\$45.95
3 7/8" & 3.927"	<b>910-0465</b>	\$83.95

\*DISCLAIMER: NOT LEGAL FOR SALE OR USE IN CALIFORNIA ON ANY POLLUTION CONTROLLED MOTOR VEHICLE. Not legal for sale or use on any EPA pollution controlled motor vehicle.

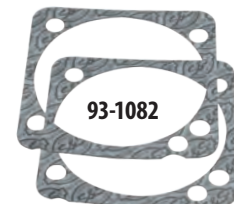
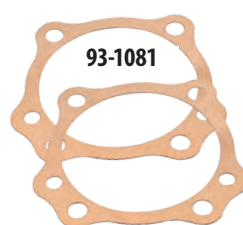
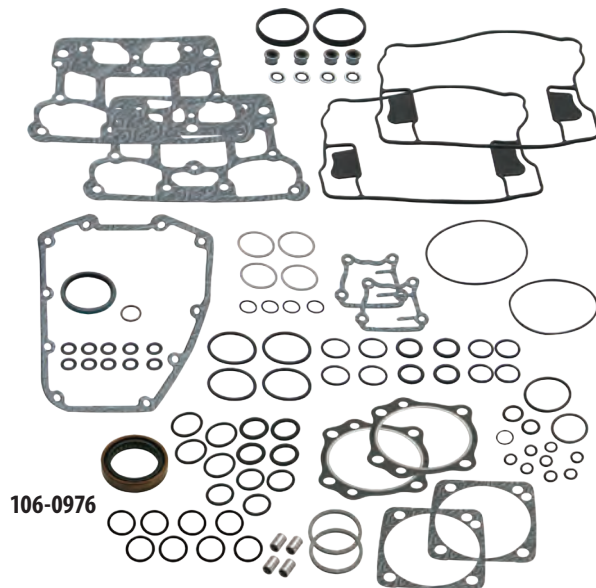
### HEAD GASKETS T-SERIES 1999–UP

4 7/16"	.045"	Layered Steel	2 pack	<b>900-0762</b>	\$62.95
4 3/8"	.045"	Copper	2 pack	<b>93-1081</b>	\$104.95
4 1/8"	.043"	Graphite	each	<b>93-1047-S</b>	\$12.95
			10 pack	<b>93-1073</b>	\$125.95
4 1/8" Stock Bolt Pattern	.043"	Layered Steel	each	<b>93-1091-S</b>	\$31.95
			2 pack	<b>930-0102</b>	\$62.95
			10 pack	<b>93-1920</b>	\$314.95
4 1/8" Stock Bolt Pattern	.030	Layered Steel	2 pack	<b>900-0217</b>	\$73.95
4"	.043"	Graphite	each	<b>93-1043-S</b>	\$13.95
			10 pack	<b>93-1058</b>	\$115.95
4" Stock Bolt Pattern	0.45"	Layered Steel	2 pack	<b>900-0822</b>	\$73.95
4" Stock Bolt Pattern	.030"	Layered Steel	2 pack	<b>900-0821*</b>	\$73.95
3 7/8" & 3.937"	.045"	Layered Steel	2 pack	<b>900-0862</b>	\$73.95
3 3/4" 16775-99B	.043"	Graphite	each	<b>93-1045-S</b>	\$35.95

\*DISCLAIMER: NOT LEGAL FOR SALE OR USE IN CALIFORNIA ON ANY POLLUTION CONTROLLED MOTOR VEHICLE. Not legal for sale or use on any EPA pollution controlled motor vehicle.

### BASE GASKETS AND O-RINGS T-SERIES 1999–UP

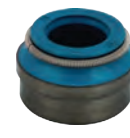
4"	.018"	Graphite	each	<b>93-1050-S</b>	\$5.95
4 1/8"	.018"	Graphite	each	<b>93-1048-S</b>	\$6.95
			2 pack	<b>930-0101</b>	\$18.95
			10 pack	<b>93-1074</b>	\$53.95
4 3/8"	.018"	Micropore	2 pack	<b>93-1082</b>	\$13.95



4 1/8" Stock Bolt Pattern	.018"	Micropore	each	<b>93-1092-S</b>	\$9.95
			2 pack	<b>930-0101</b>	\$18.95
			10 pack	<b>93-1921</b>	\$78.95
4.425"	.018"	Micropore	2 pack	<b>900-0783</b>	\$20.95
4"	.103"	Viton O-ring	each	<b>50-8049</b>	\$7.95
3 3/4", 3 7/8", 3.927"	.103"	Viton O-ring	each	<b>50-8048</b> 11256	\$5.95

### EXHAUST GASKETS

1984–'12 big twins 65324-83B, 65324-83A	each	<b>106-5029</b>	\$4.95
	10 pack	<b>93-1072</b>	\$47.95



## CONTINUED - GASKETS

### VALVE GUIDE SEALS

S&S® Heads with Powdered Metal Valve Guide	4 pack	<b>900-0737</b>	\$9.95
Valve Stem Oil Seal, Hat Style 18094-02	each	<b>900-0590</b>	\$7.95
Valve, Umbrella 26858-99	each	<b>900-0495</b>	\$3.95
For 1984–'02 big twin stock heads & S&S® prior to Jan. 2014	each	<b>900-0338</b>	\$2.95
	8 pack	<b>90-2158</b>	\$17.95
CNC Heads (2005–up bt)		<b>106-5688</b>	\$3.95

### ROCKER BOX GASKET KITS AND INDIVIDUAL GASKETS


#### S&S BILLET (OBSOLETE)

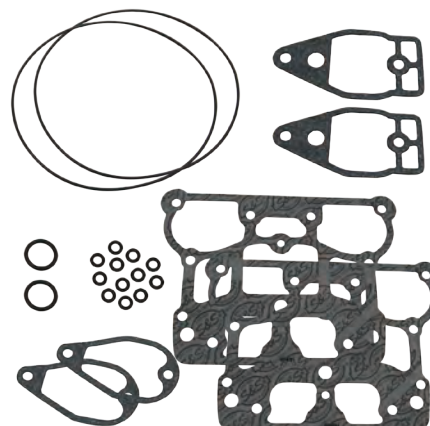
Gasket Kit		<b>90-4073</b>	\$50.95
O-ring, (-114), .625" ID x .812" OD, Black, Viton® 11270		<b>50-8033</b>	\$2.95
O-ring, (-268), 9.483" ID x		<b>50-8050</b>	\$8.95
Gasket, Breather Cover, Stock Pattern, 1999–'10 17591-99, 17162-03, 17592-99		<b>90-4077</b>	\$2.95
Gasket, Breather Baffle, Stock Pattern, 1999–'10 17162-03, 17592-99		<b>90-4078</b>	\$2.95
Gasket, bottom rocker cover, 4½" 1984–up	each	<b>90-4071-S</b>	\$7.95
	2 pack	<b>90-4071</b>	\$14.95
	10 pack	<b>90-4099</b>	\$73.95

#### DIE CAST ROCKER BOXES

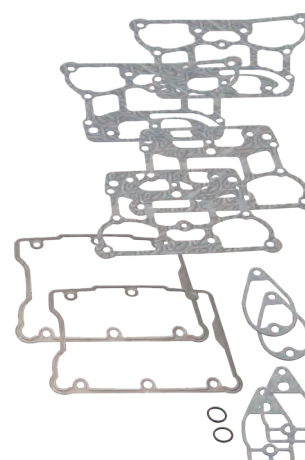
Gasket set - rocker cover, cast		<b>90-4111</b>	\$57.95
O-ring, (-223), 1.625" ID x 1.875" OD, Vito		<b>50-8044</b>	\$2.95
Gasket, bottom rocker cover, 4½", 1984–up	each	<b>90-4071-S</b>	\$7.95
	2 pack	<b>90-4071</b>	\$14.95
	10 pack	<b>90-4099</b>	\$73.95
Gasket, Rckr Cvr, S&S® DieC, O-ring, 1984–up		<b>90-4079</b>	\$13.95

#### STOCK ROCKER BOXES

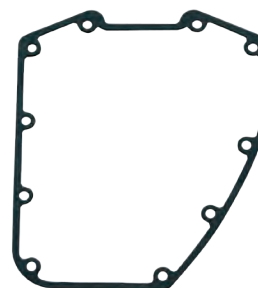
Gasket kit for 1999–'06 bt (use w/S&S heads)		<b>90-4097</b>	\$104.95
Gasket kit for 1999–'06 bt (use w/Stock heads)		<b>900-0534</b>	\$73.95
O-ring, (-114), .625" ID x .812" OD, Black, Viton® 11270		<b>50-8033</b>	\$2.95
Gasket, bottom rocker cover, 4½", 1984–up	each	<b>90-4071-S</b>	\$7.95
	2 pack	<b>90-4071</b>	\$14.95
	10 pack	<b>90-4099</b>	\$73.95
Gasket, Breather Cover, Stock Pattern, 1999–'10 17591-99, 17162-03, 17592-99		<b>90-4077</b>	\$2.95
Gasket, Breather Baffle, Stock Pattern, 1999–'10 17162-03, 17592-99		<b>90-4078</b>	\$2.95
Gasket, Rocker Cover, Steel, 1999–up bt	each	<b>90-4096-S</b>	\$12.95
Gasket, Rocker Cover, w/Stock Rocker Box, 1999–up bt	each	<b>90-4124</b>	\$15.95
	2 pack	<b>90-4120</b>	\$31.95
Filter, Breather  63815-99	each	<b>900-0496</b>	\$2.95



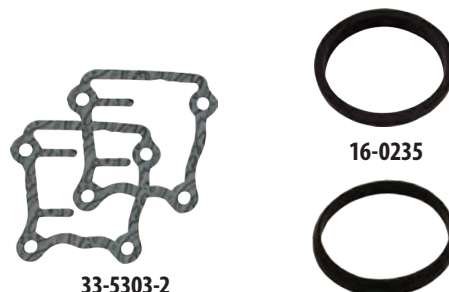
90-4073



90-4097



31-2032-5



33-5303-2



16-0235

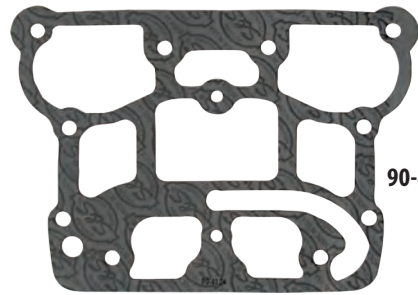


16-0236

**CONTINUED- GASKETS**

**LOWER END GASKETS AND SEALS**

For S&S Heads/Stock boxes	<i>each</i>	<b>90-4124</b>	\$15.95
	<i>2 pack</i>	<b>90-4120</b>	\$31.95
Gear Cover gasket 25244-99A	<i>each</i>	<b>31-2032-5</b>	\$7.95
Tappet Cover gasket 18635-99B	<i>each</i>	<b>33-5303-5</b>	\$3.95
	<i>2 pack</i>	<b>33-5303-2</b>	\$6.95



90-4124

**PUSHROD O-RINGS**

O-ring, Kit, Pushrod Cover, 1984–'99 bt		<b>93-4022</b>	\$7.95
Top O-ring 11293, 11157, 11101, 11190	<i>each</i>	<b>50-8039</b>	\$2.95
Middle O-ring 11132A	<i>each</i>	<b>50-8038</b>	\$2.95
Bottom O-ring 11145A	<i>each</i>	<b>50-8037</b>	\$2.95
Sprocket Shaft seal 12068		<b>31-4035</b>	\$15.95
S&S Oil pump seal kit		<b>31-2097</b>	\$24.95
Oil Pump Scavenge o-ring 11293, 11157, 11101, 11190	<i>each</i>	<b>50-8039</b>	\$2.95
Case alignment dowel o-ring 26432-76A	<i>each</i>	<b>50-8034-S</b>	\$5.95
	<i>2 pack</i>	<b>50-8034</b>	\$10.95
Oil jet o-ring	<i>each</i>	<b>50-8270</b>	\$2.95
	<i>5 pack</i>	<b>50-8275</b>	\$3.95
Cam plate and oil line plate o-ring 11301	<i>each</i>	<b>50-8066-S</b>	\$0.95




31-4035



50-8066-S

## CONTINUED- GASKETS

### FUEL SYSTEM GASKETS

Manifold Seals			
S&S Manifold O-Ring	each	<b>16-0235</b>	\$6.95
	10 pack	<b>16-0243</b>	\$48.95
Stock Manifold O-ring  26995-86A, 26992-99, 26995-86B	each	<b>16-0236</b>	\$5.95
	10 pack	<b>16-0244</b>	\$42.95
Cap, rubber, manifold, fitting		<b>50-8372</b>	\$2.95

### CLASSIC TEARDROP AIR CLEANER

Backplate gasket	each	<b>106-1724</b>	\$3.95	
	10 pack	<b>106-2328</b>	\$26.95	
Vent seal washers silicone coated steel	1/2"	each	<b>50-7055</b>	\$2.95
		10 pack	<b>50-7057</b>	\$12.95
	3/8"	each	<b>50-7054</b>	\$2.95
		10 pack	<b>50-7059</b>	\$12.95

### STEALTH AIR CLEANER

Backplate gasket			
Stock CV Carb & EFI Throttle Body, 1991–up xl/bt <i>(except Throttle by Wire) 29062-95B</i>		<b>106-6022</b>	\$3.95
Super E/G	each	<b>106-1724</b>	\$3.95
	10 pack	<b>106-2328</b>	\$26.95
For Muscle air cleaner <i>(includes lanyards)</i> .		<b>170-0137</b>	\$24.95
Vent seal washers Nitrile Rubber Coated, .380" x .880" x .024"	each	<b>50-7054</b>	\$2.95
	10 pack	<b>50-7059</b>	\$12.95

### SINGLE BORE TUNED INDUCTION

Backplate gasket			
Gasket, Backplate - E/G/SBEFI	each	<b>106-1724</b>	\$3.95
	10 pack	<b>106-2328</b>	\$26.95
Gasket, S&S SBEFI 58mm		<b>106-4662</b>	\$5.95
Gasket, Stock carb/Throttle Body 29062-95B		<b>106-6022</b>	\$3.95
Adaptor plate gasket		<b>17-1022</b>	\$5.95
Adaptor plate bracket o-ring	each	<b>50-0446</b>	\$3.95



### SINGLE BORE EFI THROTTLE BODY

Backplate gasket			
52mm	each	<b>106-1724</b>	\$3.95
	10 pack	<b>106-2328</b>	\$26.95
58mm	each	<b>106-4662</b>	\$5.95
		<b>50-7967-S</b>	\$2.95
O-ring, throttle body to manifold		<b>50-7967-S</b>	\$2.95
Air Temp Sensor gasket		<b>16-5009-S</b>	\$4.95
IAC o-ring		<b>50-8149-S</b>	\$2.95
Fuel injector o-ring top		<b>50-8264-S</b>	\$3.95
Fuel injector o-ring bottom		<b>50-8265-S</b>	\$3.95
Fuel rail inlet o-ring 27237-95	each	<b>50-8137-S</b>	\$2.95

### CARBURETOR GASKETS (for Rebuild Kits, see page 198)

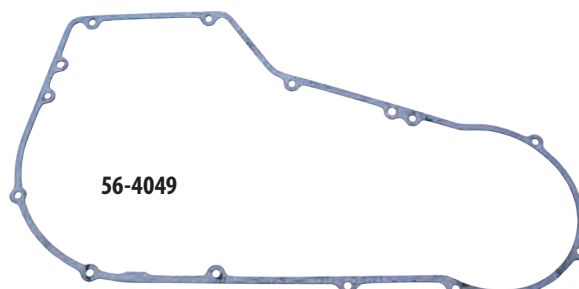
Bowl Gasket, Super E & G		<b>11-2386</b>	\$3.95	
Pump cap o-ring - (two required)	each	<b>50-8012</b>	\$2.95	
	10 pack	<b>50-8100</b>	\$11.95	
Idle Mixture Needle o-ring	each	<b>500-0036</b>	\$2.95	
	10 pack	<b>500-0148</b>	\$7.95	
Bellows Seal, Accelerator Pump		<b>11-2266</b>	\$4.95	
Accelerator pump diaphragm		<b>11-2282</b>	\$15.95	
Manifold to carb/ throttle body o-rings	Super E	each	<b>50-8016</b>	\$2.95
		10 pack	<b>50-8094</b>	\$10.95
	Super G	each	<b>50-8015</b>	\$2.95
		10 pack	<b>50-8093</b>	\$10.95
Seat and bowl plug o-ring	each	<b>50-8009</b>	\$2.95	
	10 pack	<b>50-8095</b>	\$13.95	

### TRANSMISSION GASKETS

O-ring, (-114), .625" ID x .812" OD, Black, Viton® 11270		<b>50-8033</b>	\$2.95
O-ring, Quad Seal, (-031), 1.734" X 1.875" 11165		<b>50-8045</b>	\$6.95
Seal, Transmission Output Shaft 2.255" x 3.388" x .250, 1994–'99 bt 12067B		<b>56-3033</b>	\$11.95

### PRIMARY GASKETS

Gasket, Primary Cover, 1990–'05 Softail® and Dyna® models	each	<b>56-4049</b>	\$49.95
--	------	----------------	---------
















Order 608-627-1497

2007-2017 Milwaukee Twin Cam 96"/103"/110"  
1999-2006 Twin Cam 88"  
1986-2019 Sportster® & Buell®  
2014-2019 Street® & Street Rod®  
1984-1999 Evolution®  
1926-1984 Vintage Engines  
Indian® & Victory® Models  
Tools & Shop Supplies  
Apparel  
Warranty & Company Policy  
Appendix & Index


# CRANKCASE REPLACEMENT PARTS

## FOR HARLEY-DAVIDSON® TWIN CAM 88® ENGINES

1. Bolt, stator 10-24 x 1" SHC - 4 required 2720  
*each* ..... **50-0044** \$2.95  
*4 pack* ..... **31-0113** \$11.95
2. Seal, sprocket shaft 12068 ..... **31-4035** \$15.95
3. Bearing, Timken® sprocket shaft 9028  
 ..... **31-4013** \$75.95
4. Timken Main Bearing Spacers  
 Fits 1 1/4" stock diameter shaft.  
 .0995" - .1005" 9124 .....  **31-4071** \$12.95  
 .1015" - .1025" 9125 .....  **31-4072** \$12.95  
 .1035" - .1045" 9126 .....  **31-4073** \$12.95  
 .1055" - .1065" 9127 .....  **31-4074** \$12.95  
 .1075" - .1085" 9128 .....  **31-4075** \$12.95  
 .1195" - .1205" 9134 .....  **31-4076** \$8.95
5. Bolt, case 5/16" - 18 x 3 1/2" HHC - 8 required  
 Chrome (*each*) ..... **50-0254-S±** \$5.95  
 Zinc 3427 (*each*) ..... **50-0117** \$2.95
6. Washer, flat 5/16" x 1 1/8" x 1/16" - 8 required  
 Chrome (*each*) ..... **50-7104-S±** \$2.95  
 Zinc 6320, 70907-07, 6016, 6702 (*each*) ..... **50-7034** \$0.95
7. Bolt center case 1/4" - 28 x 5 1/2" HHC Grade 8  
 Chrome (*each*) ..... **50-0252-S±** \$6.95  
 Zinc (*each*) ..... **50-0090** \$2.95
8. Washer, flat, 1/4" x .474" x .050"  
 Chrome (*each*) ..... **50-7105-S±** \$2.95  
 Zinc (*each*) ..... **50-7020** \$2.95
9. Nut 1/4"-28 Grade 8 - 1 required  
 Chrome (*each*) ..... **50-5017-S±** \$0.95  
 Zinc 7683 (*each*) ..... **50-5011** \$0.95
10. Cylinder stud, S&S® Bolt Pattern - 8 required (*each*)  **31-2325-S** \$7.95  
*8 pack* .....  **31-2340** \$51.95  
 Cylinder stud, Stock Bolt Pattern - 8 required (*each*) ..... **310-0437** \$5.95
11. Dowel, cylinder deck - 2 required (*4 pack*) ..... **500-0219** \$23.95
12. Bolt, cam plate 1/4" - 20 x 1" SHC - 4 required 852  
*each* ..... **50-0084** \$2.95
13. Bolt, cam plate 1/4" - 20 x 1 1/4" SHC - 2 required 4740A, 3482A  
*each* ..... **50-0008** \$2.95
14. Washer, flat 1/4" chrome (*each*) ..... **50-7017±** \$2.95  
*12 pack* ..... **50-7013** \$7.95
15. O-ring, cam plate - 9 required 11301 (*each*) ..... **50-8066-S** \$0.95
16. O-ring, oil pump 1 1/8" I.D. x 1 5/16" O.D. x 1/8" CS 11293, 11157, 11101, 11190  
*each* ..... **50-8039** \$2.95
17. O-ring, case alignment - 2 required 5/16" I.D. x 1 1/8" O.D. x 1/8" CS 26432-76A  
*each* ..... **50-8034-S** \$5.95  
*2 pack* ..... **50-8034** \$10.95
18. Dowel, cam plate - 2 required 16589-99A ..... **50-8148-S** \$3.95
19. Bearing, inner cam 9198 .....  **31-4080** \$11.95
20. Bearing, pinion shaft - Fits all S&S & OEM 2000-'02 (Balanced models only)  
 & all OEM 2003-up 24604-000 ..... **31-4085** \$62.95
21. Retaining ring, internal, spiraloc - 2 required  
 35114-02 ..... **50-8160-S** \$2.95
22. Plug, magnetic drain .....  **50-8335** \$12.95
23. Baffle plate ..... **31-0119-S** \$13.95
24. Screw 10-24 x 3/8" pan head - 2 required (*each*) ..... **50-0050** \$2.95
25. Dowel, case alignment - 2 required 16574-99A, 16573-83, 16573-83A  
*each* ..... **50-8023** \$3.95  
*10 pack* ..... **50-8109** \$20.95

26. Piston Oiler Jet Kit *includes #27 (1), #28 (1), #29 (2)* .....  **310-0647** \$23.95
27. O-ring, (-014), .500" ID x .625" OD, Nitrile  
*each* ..... **50-8270** \$2.95  
*5 pack* ..... **50-8275** \$3.95
28. Jet, Assembly, Piston Cooling, 1999-up bt  
 (*each*) .....  **310-0646** \$18.95
29. Screw, Torx Pan, Tri-Lobe, 8-32 x 3/8", Zinc, 68042-99  
*each* ..... **50-0054-S** \$0.95
30. Fitting, crankcase vent  
 1999-'00 ..... **50-0454** \$13.95  
 2001-'06 (*each*) ..... **50-0449** \$13.95
31. Plate, oil line cover ..... **106-1184** \$20.95
32. BHS CS 5/16" - 18 x 3/4" (10 pack) ..... **106-1178** \$8.95
33. O-ring 11105, 11273 (*each*) ..... **50-8008** \$2.95  
*10 pack* ..... **50-8078** \$9.95
34. Pin, dowel 18535-99 (*each*) ..... **50-8195-S** \$2.95  
*2 pack* ..... **50-8195** \$4.95

These parts are for crankcases manufactured before 8-1-06:

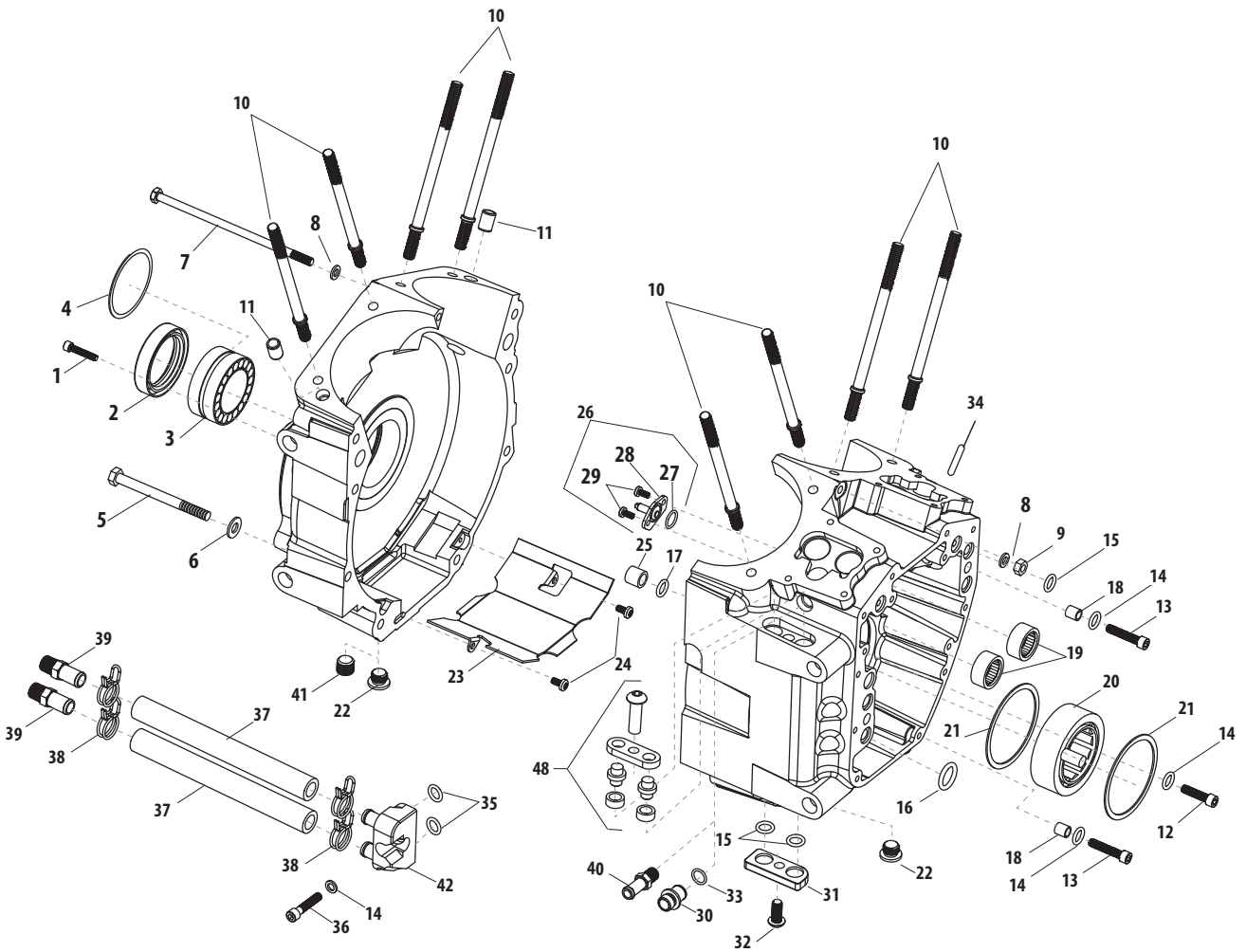
35. O-ring, 1/16" I.D. x 1 1/8" O.D. x 1/16" CS 26432-76A (*each*) ..... **50-8034-S** \$5.95  
*2 pack* ..... **50-8034** \$10.95
36. Bolt, 1/4" - 20 x 3/4" SHCS 4069A (*each*) ..... **50-0067** \$2.95
37. Hose, oil, inlet/outlet ..... **50-8157** \$13.95
38. Spring clips ..... **50-8156-S** \$0.95
39. Oil line fittings, inlet/outlet - 2 required ..... **N/A**
40. Oil line fitting - vent ..... **N/A**
41. Plug, sump 765 (*each*) ..... **50-8330** \$2.95
42. Oil conduit block ..... **N/A**
43. Sensor, Kit, Crank Position, 1984-2007 bt (N/S)  
 32707-01B, 32707-01C .....  **55-1051** \$104.95

### HARDWARE KITS

45. Hardware Kit, Crankcase, Cam Plate Bolts, 1999-up bt  
*includes #12 (4), #13 (2), #14 (6)* ..... **31-0117** \$9.95
46. Hardware Kit, Crankcase, O-rings, 1999-up bt *includes #15 (7), #16 (1), #17 (2)*  
 ..... **31-0111** \$18.95
47. Hardware Kit, Crankcase Baffle Plate, 1999-up bt *includes #23 (1) and #24 (2)*  
 ..... **31-0122** \$20.95
48. Hardware kit, oil line plugs ..... **50-1081** \$45.95

(N/S) = Not Shown

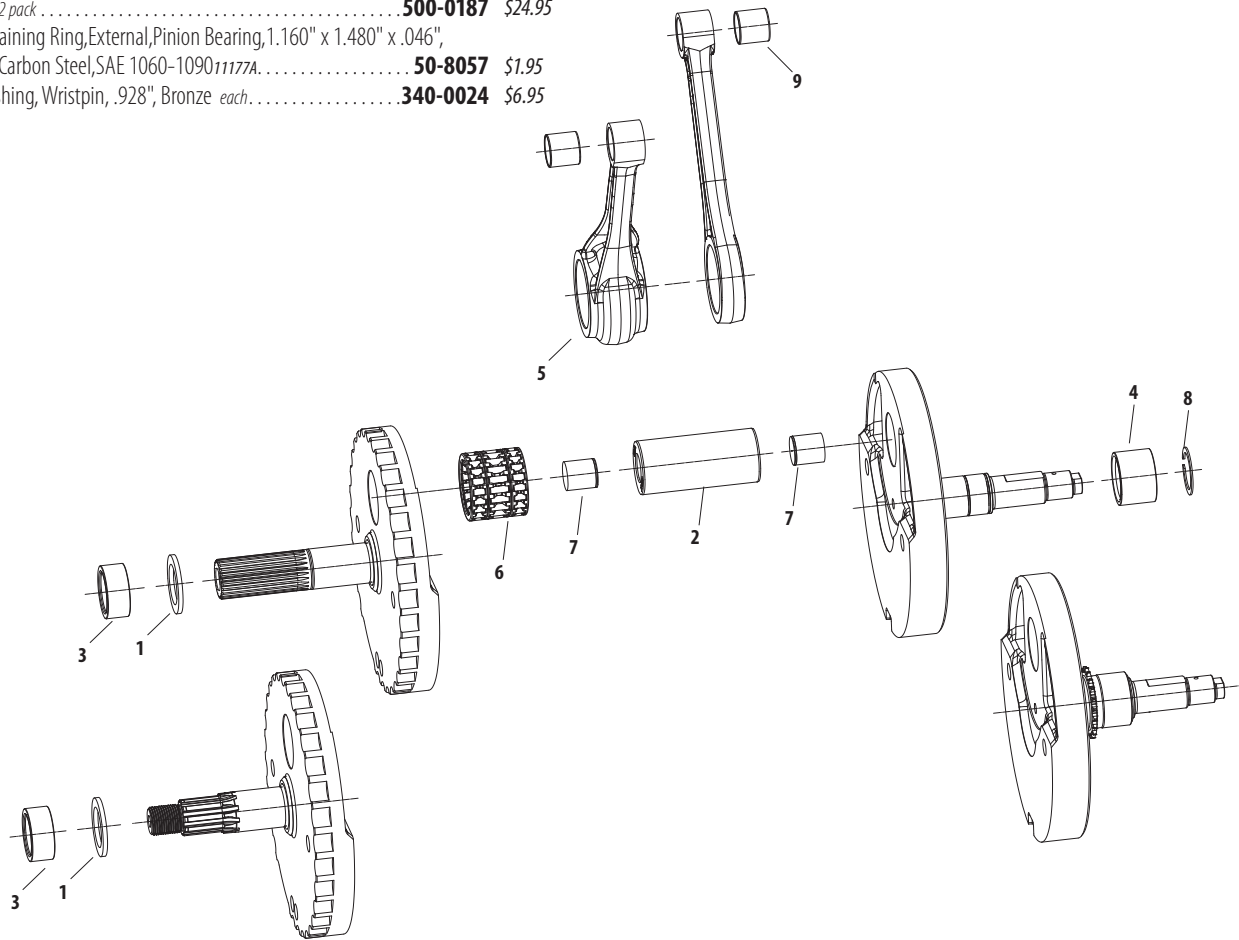




**CRANKCASE BREATHER REED VALVE  
REPLACEMENT PARTS ON PAGE 236**

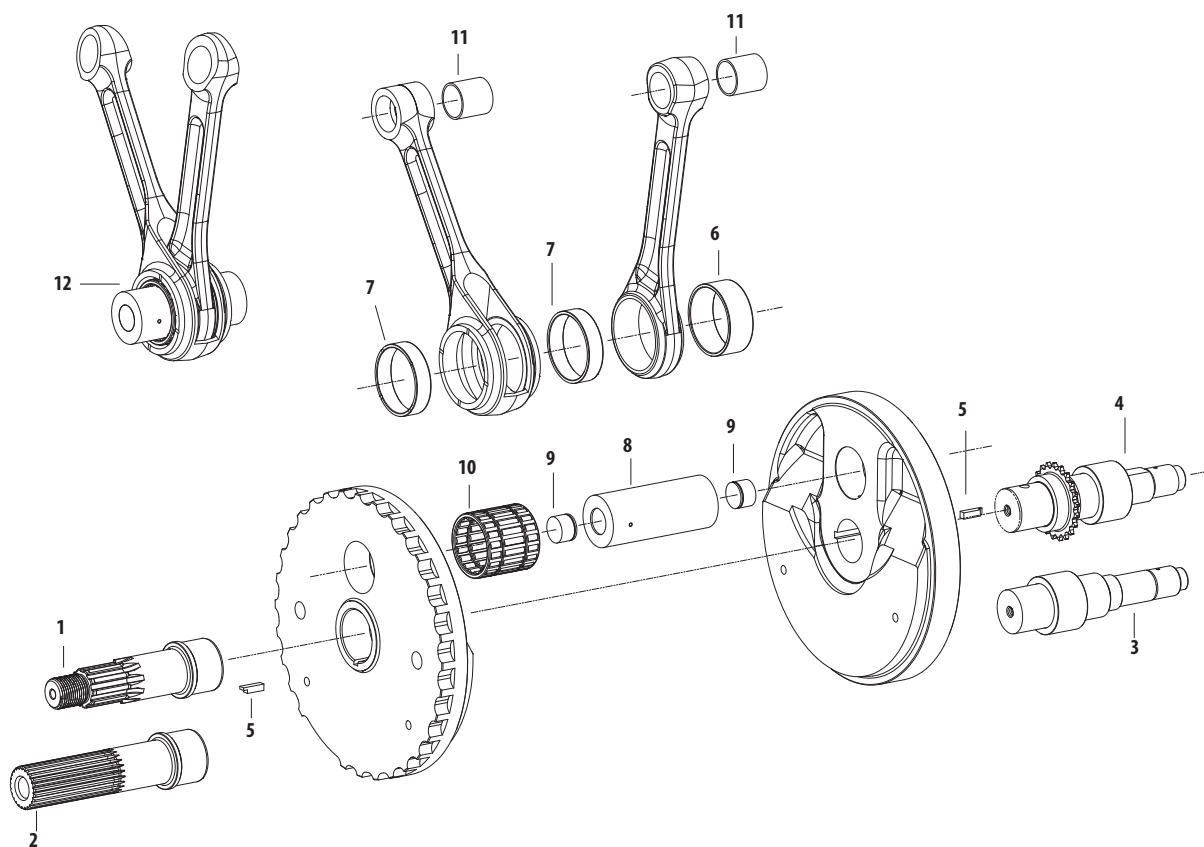
# 3-PIECE FLYWHEEL REPLACEMENT PARTS

1. Washer, Flywheel, Thrust, 1.25" x 1.83" x .136", Hardened Steel ..... **320-0198** \$19.95
2. Crankpin, Press-In, Straight, 1.671", 1999-Up bt (includes plugs)  
 Standard ..... **340-0069** \$123.95  
 +.001 ..... **340-0070** \$167.95  
 +.002 ..... **340-0071** \$123.95
3. Race, Inner, Left Main Bearing,  
 1.25" x 1.65" x .713", Hardened Steel ..... **340-0076** \$36.95
4. Race, Inner, Right Main Bearing,  
 1.25" x 1.65" x 1.120", Hardened Steel ..... **340-0077** \$35.95
5. Connecting Rod, Set, Full Width Wristpin, 7.575", 120R. . . **340-0062** \$556.95  
 Connecting Rod, Set, Full Width Wristpin, 7.667" ..... **340-0060** \$524.95  
 Connecting Rod, Set, Full Width Wristpin, 7.800", T143 . . **340-0128** \$629.95
6. Bearing, Set, Rod, Standard ..... **310-0752** \$136.95
7. Plug, Drive, .8965" x .850", Steel, Fatigue Proof  
 2 pack ..... **500-0187** \$24.95
8. Retaining Ring, External, Pinion Bearing, 1.160" x 1.480" x .046",  
 Carbon Steel, SAE 1060-109011177A ..... **50-8057** \$1.95
9. Bushing, Wristpin, .928", Bronze *each* ..... **340-0024** \$6.95



# 5 PIECE FLYWHEEL REPLACEMENT PARTS

1. Sprocket Shaft, 1999–2006 bt (includes key #5) ..... **33-2009** \$127.95
2. Sprocket Shaft, 2006 Dyna®, 2007–2012 bt ..... **33-2011** \$239.95
3. Pinion Shaft, 1999–2012 bt (includes key #5) ..... **N/A** -
4. Pinion Shaft, 2000–2012 w/ balancer (includes key #5) ..... **N/A** -
5. Key (each) ..... **50-8227** \$3.95
6. Front Rod Race, 1999–2012 ..... **USA 34-4008** \$27.95
7. Rear Rod Race ..... **USA 34-4013** \$25.95
8. Crankpin (std.) ..... **106-6239** \$135.95  
 +.001 ..... **340-0017** \$135.95  
 +.002 ..... **340-0018** \$135.95  
 +.003 ..... **340-0019** \$135.95
9. Crankpin Plug (each) ..... **106-5256** \$4.95  
 2 pack ..... **50-8329-2** \$8.95
10. Race/Bearing Set ..... **340-0028** \$157.95
11. Wristpin Bushing, 1999–2012\*bt  
 Straight bushing ..... **USA 34-4012** \$7.95
12. Connecting Rod Set, 7.668" length  
 1999–2006 bt, straight wristpin ends ..... **N/A** -

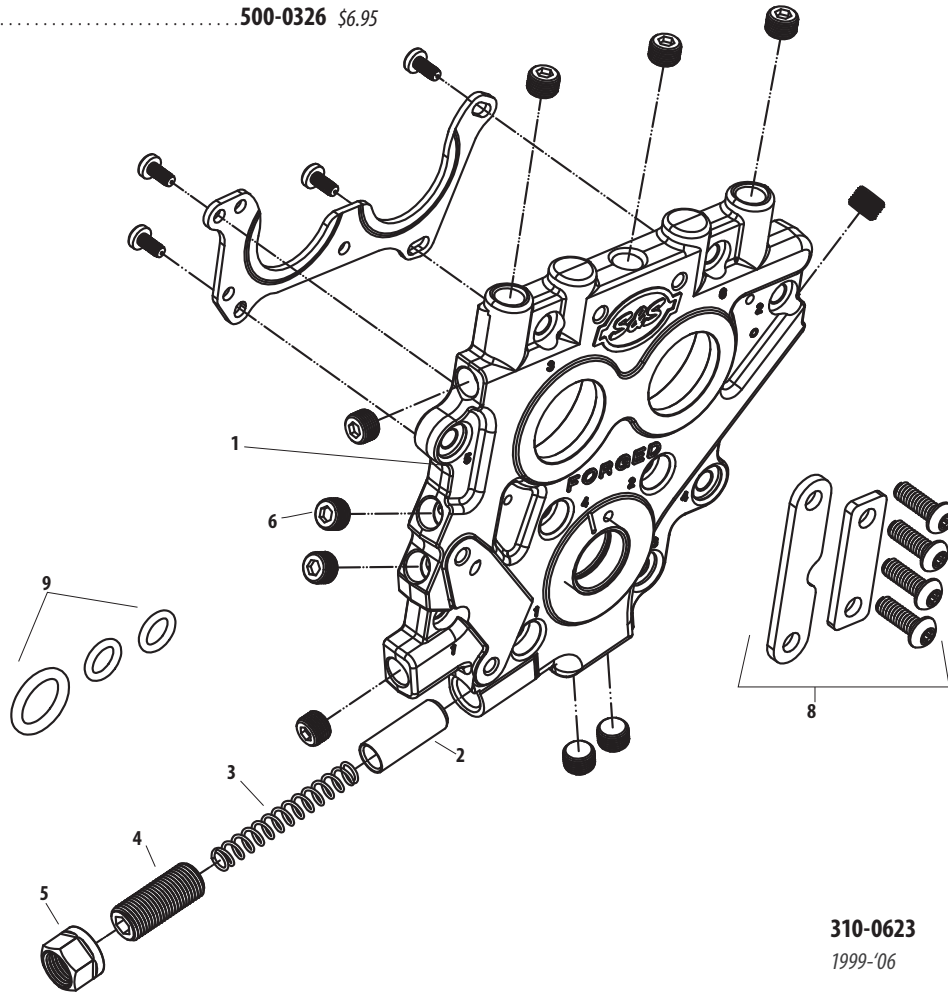


## NOTES

S&S flywheels for Harley-Davidson® Twin Cam 88® and Twin Cam 96™ engines are pressed together as opposed to using the traditional tapered shafts and crankpin. Assembly and truing requires special equipment.

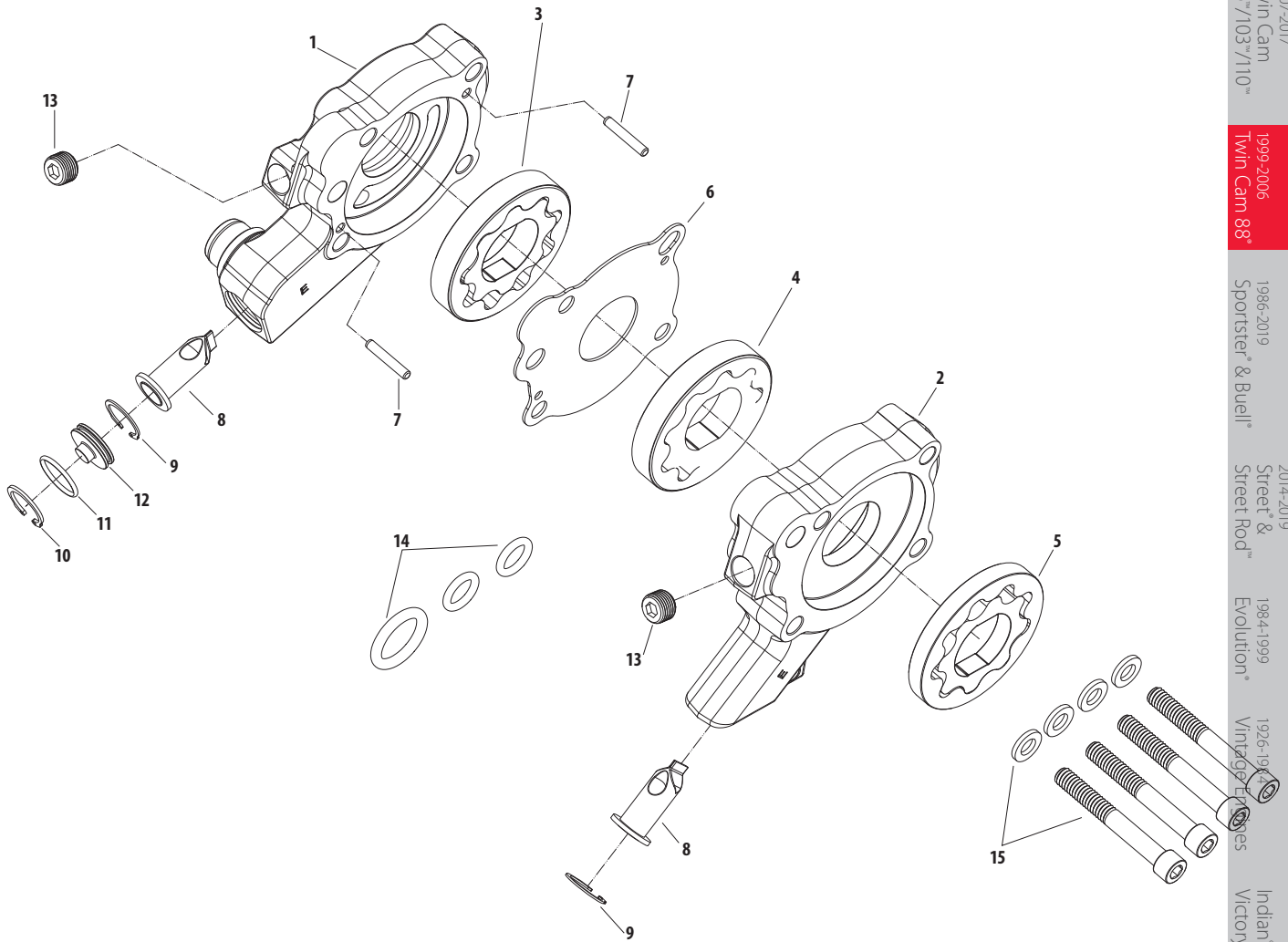
# TC3 CAM PLATE REPLACEMENT PARTS

- 1. Cam support plate ..... **NA** -
- 2. Pressure relief valve ..... **31-6082-5** \$5.95
- 3. Pressure relief spring ..... **31-6018** \$2.95
- 4. Pressure relief adjusting screw ..... **170-0252** \$10.95
- 5. Pressure relief adjusting screw lock nut ..... **170-0251** \$7.95
- 6. 1/8" 27 taper pipe plug ..... **50-8331A** \$2.95
- 7. Bearing retention plate kit ..... **330-0015** \$8.95
- 8. Hydraulic tensioner block off kit ..... **106-5723** \$11.95
- 9. O-ring kit ..... **500-0326** \$6.95



**310-0623**  
1999-'06

# TC3 OIL PUMP REPLACEMENT PARTS



1. Oil pump body case return section .....	NA	-
2. Oil pump body cam chest return / pressure feed .....	NA	-
3. Oil pump rotor set, flywheel cavity return .....	<b>310-0644</b>	\$60.95
4. Oil pump rotor set, cam chest cavity return .....	<b>36-7021-S</b>	\$38.95
5. Oil pump rotor set, supply .....	<b>310-0561</b>	\$49.95
6. Plate, divider .....	<b>310-0516</b>	\$8.95
7. Dowel Pin, .125 x .750 Hardened Steel .....	<b>500-0858</b>	\$4.95
8. Debris screen .....	<b>310-0546</b>	\$10.95
9. Internal Retaining Ring, .625 .....	<b>500-0860</b>	\$4.95
10. Internal Retaining Ring, 17mm .....	<b>500-0859</b>	\$4.95
11. O-ring, 1.5mm x 14mm, Viton (5 pack) .....	<b>500-0861</b>	\$10.95
12. Oil pump return plug .....	<b>310-0564</b>	\$6.95
13. Plug, Pipe 1/8" 27 .....	<b>50-8331A</b>	\$2.95
14. O-ring kit .....	<b>500-0326</b>	\$6.95
15. Screw Kit, Oil Pump, 1999-Up BT (1/4" 20 x 2" SHCS w/washers) .....	<b>500-0327</b>	\$6.95

# OIL PUMP REPLACEMENT PARTS FOR HARLEY-DAVIDSON® TWIN CAM 88® ENGINES

1. Cover, assembly, camchest  
Chrome..... **106-3890**± \$462.95
2. Cover plate..... **31-6507** \$112.95
3. Bushing, cam support (each)..... **31-4087-S** \$65.95
4. Nut, gear retainer, rear cam..... **31-6511** \$36.95
5. O-ring, Viton (-220) (each)..... **50-8245-S** \$3.95
6. Screw, SHC - 10-24 x 1" (each)..... **50-0044** \$2.95
7. Alignment dowel (each)..... **50-8182-S** \$62.95
8. Idler gear shaft (each)..... **31-2079-S** \$18.95
9. Divider plate..... **31-6508** \$117.95
10. Screw FHSC 10-24 x ½" (5 pack)..... **50-0312** \$4.95
11. Gear, cam chest return..... **33-4291** \$261.95
12. Gear assembly, pinion shaft..... **33-4170** \$244.95
13. Gear, idler - (Includes item PN 33-4214 bushing)..... **33-4172** \$370.95
14. Gear, cam drive..... **33-4292** \$200.95
15. Gear, spacer..... **33-4171** \$57.95
16. Thread adapter..... **31-2089-S** \$24.95
17. Cam drive gear  
(for reference only, not included in pump kit)..... **33-4293** \$334.95
18. Body assembly..... **31-6505** \$629.95
19. Spring, pressure control 26207-83 (each)..... **31-6018** \$2.95  
10 pack..... **31-6084** \$13.95
20. Plunger, pressure control valve 26400-82, 26400-82B..... **31-6082** \$7.95
21. Pressure control plug w/o-ring..... **50-8326** \$50.95
22. Fitting, flywheel cavity return..... **50-8183** \$30.95
23. Screw, SHC 8-32 x ⅝" (5 pack)..... **50-0293** \$4.95
24. O-ring, Viton 11301 (each)..... **50-8066-S** \$0.95
25. Bushing, pinion shaft..... **31-4088** \$27.95
26. Screw FHSC 10-24 x ¾" (5 pack)..... **50-8328** \$4.95
27. Screw FHSC ¼"-20 x 2" (5 pack)..... **50-8163** \$6.95
28. Screw, SHCS, ¼-20 x 1-½", Chrome, ASTM A574-92A..... **50-0255-S**± \$4.95
29. Screw, SHCS, ¼-20 x 1-¼", Chrome, ASTM A574-92A..... **50-0257-S**± \$3.95
30. Washer, Flat, .260" x .425" x .060", Chrome, Steel..... **50-7017**± \$2.95
31. Gasket 25244-99A (each)..... **31-2032-S** \$7.95
32. Dowel pin, ⅜" diameter x 1" (each)..... **50-8193-S** \$0.95
33. Retaining ring..... **N/A** -
34. Bushing..... **33-4214** \$19.95
35. O-ring ⅝" O.D. x ⅜" Viton (-011)..... **50-8138-S** \$2.95
36. O-ring (-209) Viton 11293, 11157, 11101, 11190  
each..... **50-8039** \$2.95
37. Washer, pinion gear..... **50-0331-S** \$40.95
38. Screw, FHHC - ⅝"-18 x ¾" G8 25566-06..... **50-0100** \$0.95
39. Steel ball, ⅜" (each)..... **50-8092-S** \$0.95
40. Pin dowel - .275" I.D. x .3745" O.D. x .397"  
16589-99A..... **50-8148-S** \$3.95
41. Viton o-ring (-207) (5 pack)..... **50-8244** \$7.95
42. Viton o-ring (-225) (5 pack)..... **50-8243** \$14.95
43. Viton o-ring (-16) (5 pack)..... **50-8242** \$6.95
44. Screw, FLC ¼"-20 x 1¾" (N/S) 905 (each)..... **50-0334-S** \$0.95

45. Pipe plug ⅜"-27 (each)..... **50-8331A** \$2.95  
10 pack..... **50-1015** \$10.95
46. Key kit - cams..... **50-1038** \$12.95
47. Camshafts  
See Cam Selection Chart below.
48. Ball, pressure relief valve ⅜" diameter 8866, 8873  
..... **50-8091** \$0.95
49. Spring, pressure relief valve..... **50-8408** \$28.95
50. Seal rebuild kit (N/S) (Includes #5, 24, 31, 36, 41, 42, 43)  
..... **31-2097** \$24.95
51. Kit, cover screw (N/S) (includes #28 (7), #29 (3), #30 (10))  
..... **50-1035** \$44.95
52. Breather Valves (see page 168)
53. Screw, SFH, 1/4-20 x 1-3/4", Black, Alloy St..... **50-0334-S** \$0.95

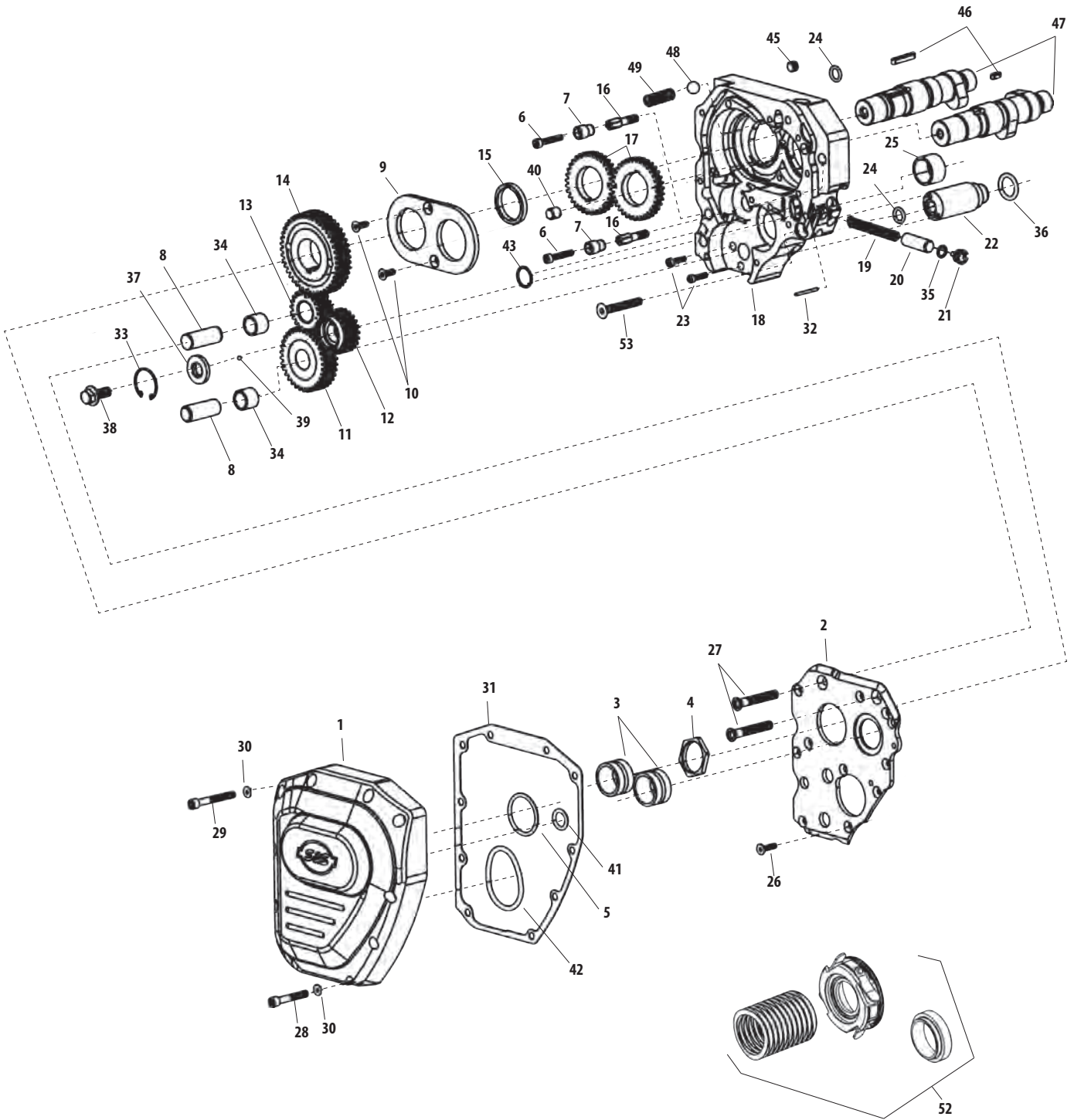
(N/S) = Not Shown

## GEAR DRIVE CAMS FOR USE WITH S&S GEAR OIL PUMPS FOR 1999-'06 BIG TWIN (EXCEPT 2006 DYNA® MODELS)

Cam*	Easy Start Cams with Drive Gears	
585GP	<b>106-4771</b>	\$661.95
635GPE	<b>330-0405</b>	\$661.95
640GP	<b>106-4781</b>	\$661.95
675GP	<b>106-5215</b>	\$661.95

\*See Cam listings on page 176 for further information on cam recommendations for different applications.

DISCLAIMER: NOT LEGAL FOR SALE OR USE IN CALIFORNIA ON ANY POLLUTION CONTROLLED MOTOR VEHICLE. Not legal for sale or use on any EPA pollution controlled motor vehicle.

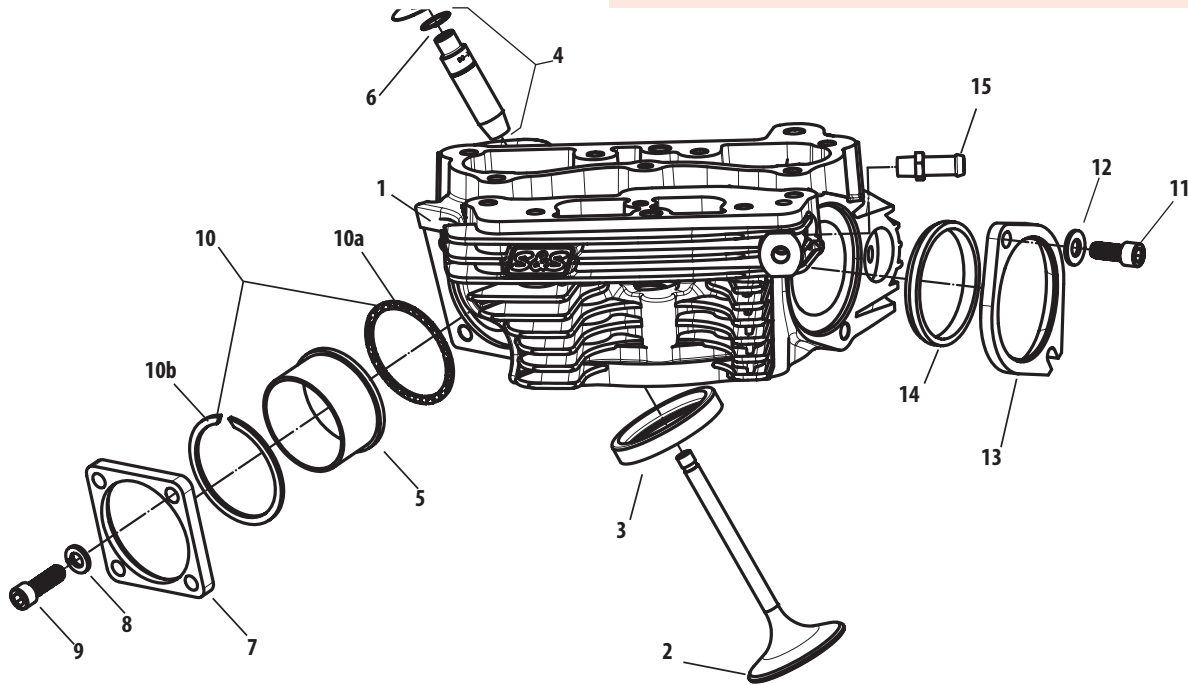


All reference to HD® part numbers is for identification purposes only. We in no way are implying that any of S&S Cycle's products are original equipment parts or that they are equivalent to the corresponding HD® part number shown.

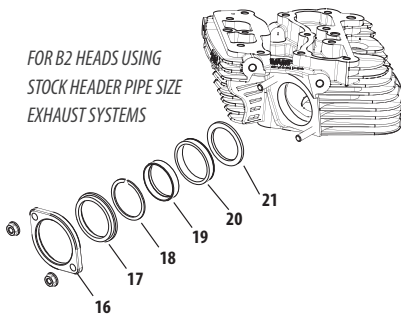
# B2 CYLINDER HEADS REPLACEMENT PARTS FOR 1984–'17 BIG TWIN ENGINES (EXCEPT 2017 TOURING MODELS)

- |  |                  |          |
|--|------------------|----------|
| 1. Cylinder Head — (See page 187)  |                  |          |
| 2. Valve   |                  |          |
| Intake, 2.200" Dia.....  | <b>90-2127</b>   | \$48.95  |
| Exhaust, 1.800" Dia.....   | <b>90-2128</b>   | \$104.95 |
| 3. Valve Seat  |                  |          |
| Exhaust, 1.800" Dia.....   | <b>90-2126</b>   | \$33.95  |
| Intake, 2.200" Dia.....  | <b>90-2125</b>   | \$31.95  |
| 4. Valve Guide - Cast - Intake/Exhaust   |                  |          |
| Std.....   | <b>106-2166</b>  | \$37.95  |
| +.030".....  | <b>106-2170</b>  | \$125.95 |
| 5. Adaptor, Exhaust Flange.....  | <b>55-6022</b>   | \$45.95  |
| 6. Snap Ring.....  | <b>106-2164</b>  | \$2.95   |
| 7. Flange, Exhaust, Front/Rear.....  | <b>55-6021</b>   | \$57.95  |
| 8. Washer, Lock, .332" X .583" X .078".....  | <b>50-7032</b>   | \$0.95   |
| 9. Screw, Sh, 5/16" - 18 X 1" 3201WA, 2708.....                                      | <b>50-0101</b>   | \$0.95   |
| 10. Gasket, Kit, Exhaust, B2 Heads, SA.....  | <b>90-1900</b>   | \$20.95  |
| Kit Includes Two Each:   |                  |          |
| A: Gasket, Exhaust Pipe (each).....  | <b>93-1083-S</b> | \$7.95   |
| 6 pack.....  | <b>93-1083</b>   | \$41.95  |
| B: Retaining Ring.....   | <b>50-8159-S</b> | \$5.95   |
| 11. Screw, SH, 5/16-18 X 3/4" 3275.....  | <b>50-0302-S</b> | \$0.95   |
| 12. Washer, 5/16" 6320, 70907-07, 6016, 6702.....                                    | <b>50-7034</b>   | \$0.95   |
| 13. Manifold Mounting Flange   |                  |          |
| Front.....   | <b>16-0247</b>   | \$62.95  |
| Rear.....  | <b>16-0248</b>   | \$62.95  |
| 14. O-Ring, Manifold.....  | <b>16-0246-S</b> | \$20.95  |
| 6 pack.....  | <b>16-0246</b>   | \$104.95 |
| 15. Fitting, Vent Hose, 1/8"-27 Pipe.....  | <b>50-8115</b>   | \$4.95   |
| 16. Exhaust Flange, 1984—Up S&S® B2 Heads.....                                       | <b>550-0223</b>  | \$19.95  |
| 17. Exhaust Adapter Flange For Stock Header Pipe,<br>1984—Up S&S® B2 Heads.....      | <b>550-0224</b>  | \$34.95  |
| 18. Exhaust Flange Retaining Ring, 1.759" X .062".....                               | <b>550-0226</b>  | \$5.95   |
| 19. Exhaust Gasket, Tapered Stainless Steel,<br>1984—Up bt 65324-83B, 65324-83A..... | <b>106-5029</b>  | \$4.95   |
| 20. Press-In Aluminum Retaining Ring.....  | <b>550-0225</b>  | \$28.95  |
| 21. Exhaust Gasket Backing Washer 2.18" X 1.690" X .125".....                        | <b>550-0220</b>  | \$24.95  |
| 22. Exhaust Flange Retaining Ring, 2.125" X .078".....                               | <b>50-8159-S</b> | \$5.95   |
| 23. Exhaust Gasket, Tapered, Stainless Steel.....                                    | <b>550-0221</b>  | \$5.95   |
| 24. Exhaust Gasket Backing Washer 2.18" X 1.885" X .200".....                        | <b>550-0219</b>  | \$24.95  |
| 25. Weld-On Exhaust Header Pipe.....   | <b>550-0222</b>  | \$31.95  |

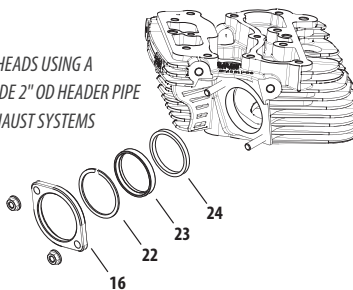
VALVE SPRING REPLACEMENT PARTS **ON PAGE 220**



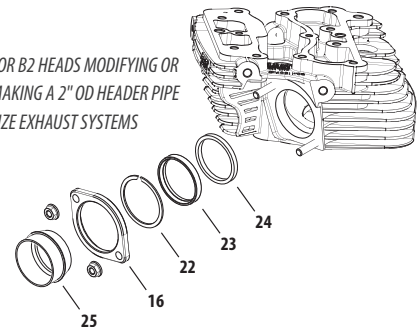
FOR B2 HEADS USING STOCK HEADER PIPE SIZE EXHAUST SYSTEMS



FOR B2 HEADS USING A PRE-MADE 2" OD HEADER PIPE SIZE EXHAUST SYSTEMS



FOR B2 HEADS MODIFYING OR MAKING A 2" OD HEADER PIPE SIZE EXHAUST SYSTEMS

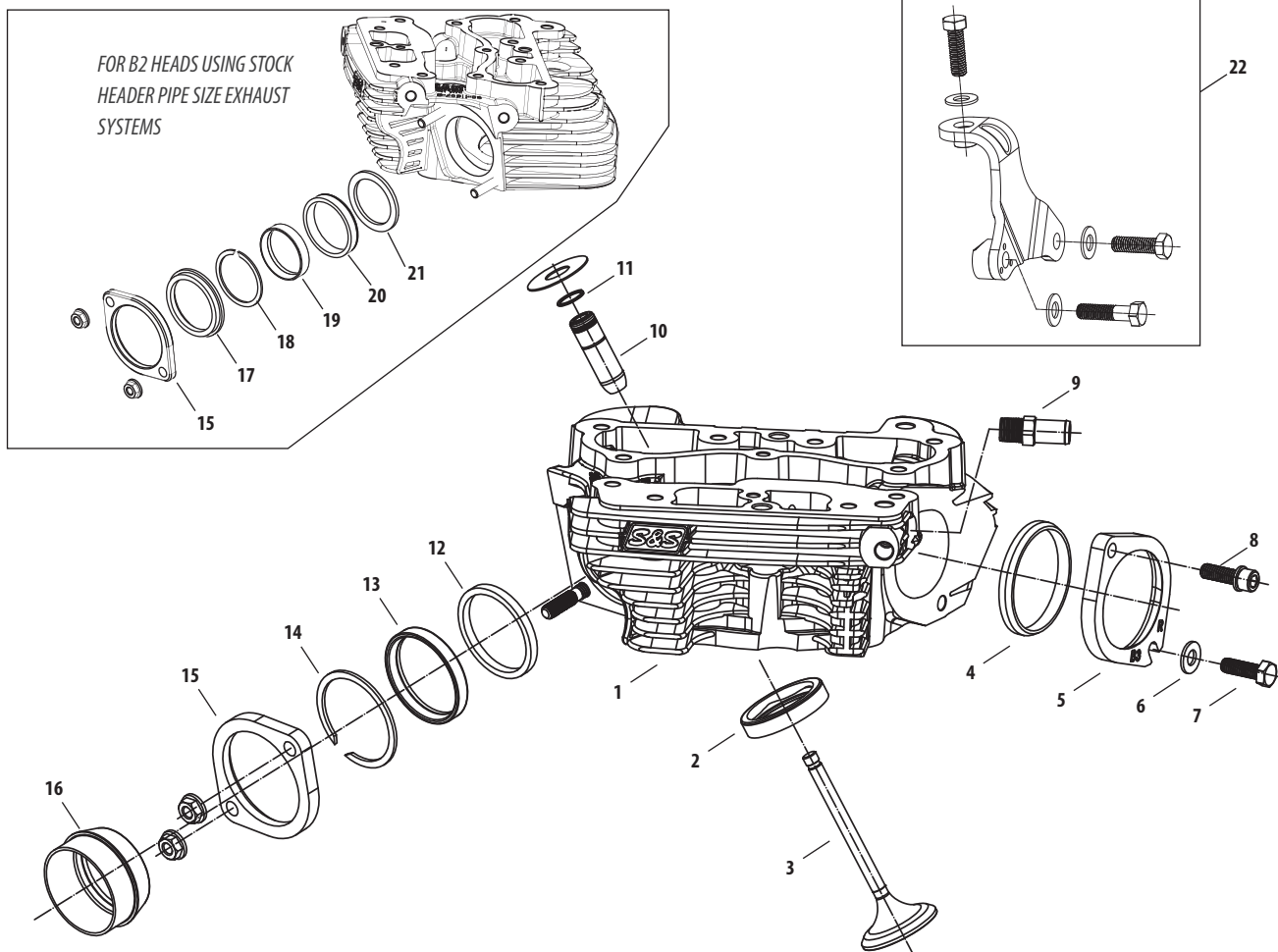




# B3 CYLINDER HEADS REPLACEMENT PARTS FOR S&S T143 ENGINES



















1. Cylinder Heads Set, B3			
Black .....	<b>900-0803</b>	\$2,414.95	
Silver .....	<b>900-0818</b>	\$2,414.95	
2. Seat, Blank, B3 Heads, 2.300"			
Intake .....	<b>900-0677</b>	\$29.95	
Exhaust .....	<b>90-2126-S</b>	\$28.95	
3. Valve			
Intake .....	<b>900-0678</b>	\$47.95	
Exhaust .....	<b>900-0679</b>	\$74.95	
4. Seal, Manifold, B2 Heads, 2.250" x 2.520" x .290"	<b>16-0246-S</b>	\$20.95	
5. Flange			
Front .....	<b>160-0087</b>	\$96.95	
Rear .....	<b>160-0088</b>	\$96.95	
Set .....	<b>160-0091</b>	\$205.95	
6. Washer, Flat, .344" x .688" x .065", Zinc, Steel	<b>50-7034</b>	\$0.95	
7. Bolt, Hex Head, Gr5, 5/16-18 x 1", Zinc	<b>50-0108</b>	\$2.95	
8. Screw, SHCS, w/Flat Washer, 5/16-18 x 1", Zinc	<b>50-0125-S</b>	\$2.95	
9. Fitting, Pipe, Straight, 1/4-18 NPTF x 1.510" X .500", Zinc, Steel	<b>50-8158-S</b>	\$7.95	
10. Valve Guide, Intake, Powder Metal	<b>900-0780</b>	\$20.95	
11. Retaining Ring, External, Spiral, Heavy Duty, .525" x .035" x .050", Carbon Steel	<b>106-2164</b>	\$2.95	
12. Exhaust Gasket Backing Washer, 2.18" x 1.885" x .200"	<b>550-0219</b>	\$24.95	
13. Exhaust Gasket, Tapered, Stainless Steel	<b>550-0221</b>	\$5.95	
14. Exhaust Flange Retaining Ring, 2.125" x .078"	<b>50-8159-S</b>	\$5.95	
15. Exhaust Flange	<b>550-0223</b>	\$19.95	
16. Weld-On Exhaust Header Pipe	<b>550-0222</b>	\$31.95	
17. Exhaust Adapter Flange for Stock Header Pipe	<b>550-0224</b>	\$34.95	
18. Exhaust Flange Retaining Ring, 1.759" x .062"	<b>550-0226</b>	\$5.95	
19. Exhaust Gasket, Tapered Stainless Steel	<b>106-5029</b>	\$4.95	
20. Press-in Aluminum Retaining Ring, 1984-up	<b>550-0225</b>	\$28.95	
21. Exhaust Gasket Backing Washer, 2.18" x 1.690" x .125"	<b>550-0220</b>	\$24.95	
22. Head Mount Bracket Kit			
2008 T143 .....	<b>900-0797</b>	\$52.95	
2009-up T143 .....	<b>900-0798</b>	\$52.95	

**VALVE SPRING REPLACEMENT PARTS ON PAGE 220**

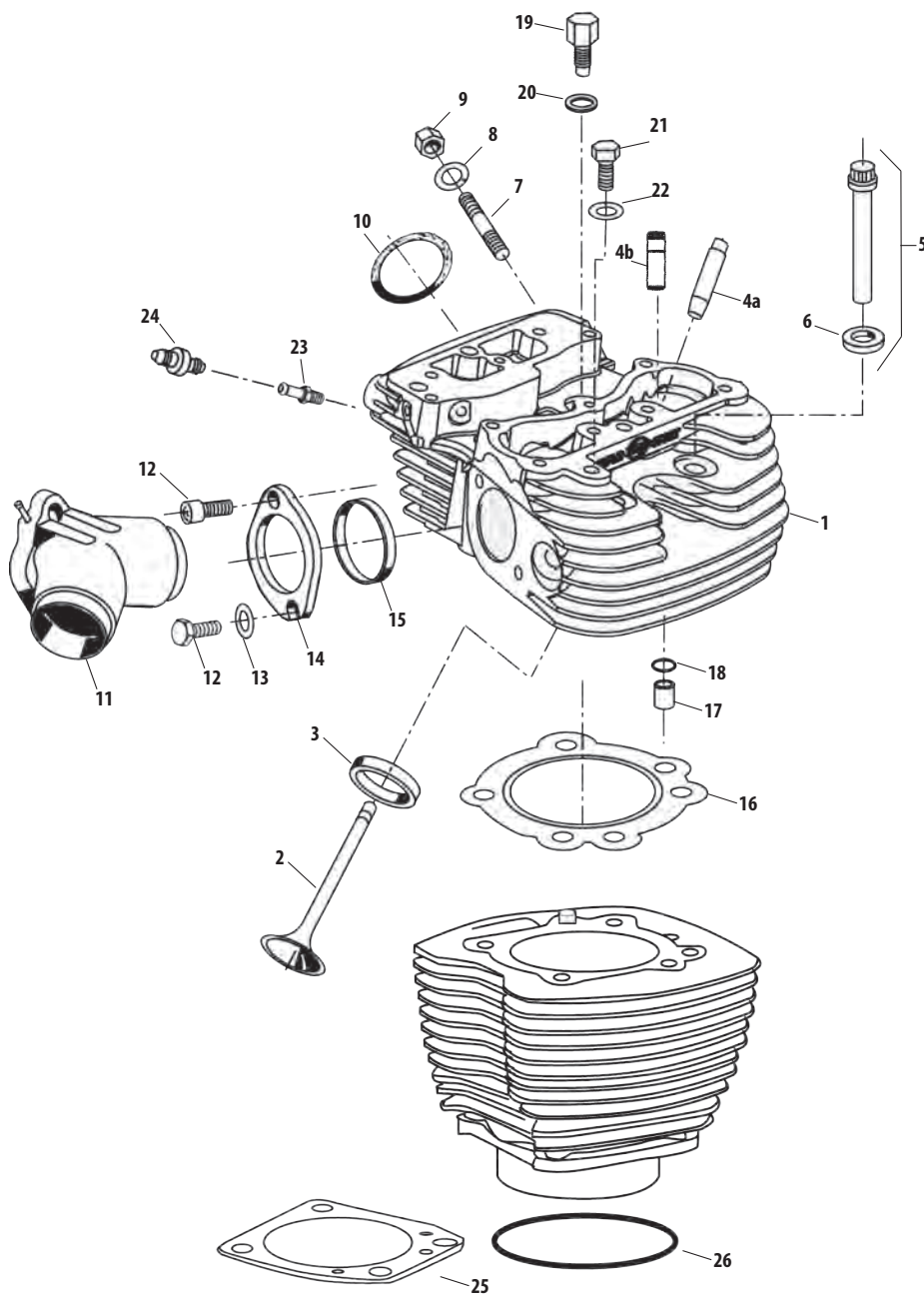


All reference to HD® part numbers is for identification purposes only. We in no way are implying that any of S&S Cycle's products are original equipment parts or that they are equivalent to the corresponding HD® part number shown.

# SUPER STOCK® CYLINDER HEADS REPLACEMENT PARTS FOR 1999–UP BIG TWIN ENGINES

1. Cylinder head (See page 188)
2. Valve
  - All S&S heads with 89cc chamber
  - Intake
    - 2.000" diameter .....  **90-2000** \$28.95
    - 2.000" diameter + .085" stem length ..... **90-2004** \$30.95
  - Exhaust
    - 1.605" diameter .....  **90-2001** \$63.95
  - All S&S heads with 79cc chamber
    - Intake – 1.940" diameter ..... **90-2025** \$33.95
    - Exhaust – 1.575" diameter ..... **90-2026** \$57.95
3. Valve seat
  - All S&S heads with 89cc chamber
    - Intake - 2.000" diameter .....  **90-2002** \$23.95
    - Exhaust - 1.605" diameter .....  **90-2003** \$54.95
  - All S&S heads with 79cc chamber
    - Intake - 1.940" diameter ..... **90-2027** \$19.95
    - Exhaust - 1.575" diameter ..... **90-2028** \$20.95
- 4a. Valve guide - Cast- Intake or Exhaust
  - Standard Diameter .5625/.5620 18112-92 .....  **90-2210** \$29.95
  - + .001" Diameter .5635/.5630 18130-83C .....  **90-2211** \$62.95
  - + .002" Diameter .5645/.5640 18133-83A, 18133-83D .....  **90-2212** \$83.95
  - + .003" Diameter .5655/.5650 18131-83C .....  **90-2213** \$94.95
  - + .030" Diameter .5925/.5920 .....  **90-2219** \$52.95
- 4b. Valve guide - Powder Metal - Intake or Exhaust
  - Standard ..... **900-0553** \$33.95
  - + .001" ..... **900-0554** \$33.95
  - + .002" ..... **900-0555** \$33.95
  - + .003" ..... **900-0556** \$33.95
5. Head bolt assembly – (8 Required) (Includes head bolt washer)
  - 88", 95", 96", 100", 107" & 111" .....  **93-3030** \$75.95
  - 4 pack ..... **93-3030-4** \$50.95
  - 116", 117" ..... **93-3037** \$75.95
  - 4 pack ..... **93-3037-4** \$52.95
6. Head bolt washer
  - .150" (each) ..... **50-0418-S** \$4.95
  - .250" (each) ..... **50-7091** \$2.95
7. Exhaust port stud 16715-83 (each) .....  **50-0493** \$2.95
- 5 pack .....  **50-1028** \$13.95
8. Lock washer - 5/16" ..... **50-7032** \$0.95
9. Nut, flanged - 5/16" -24
  - Zinc (each) ..... **50-5025-S** \$0.95
  - 2 pack ..... **50-5025-2** \$2.95
  - 5 pack ..... **50-1001** \$4.95
  - Chrome (each) ..... **50-5030-S±** \$2.95
10. Exhaust pipe gasket, tapered 65324-83B, 65324-83A (each) ..... **106-5029** \$4.95
- 10 pack ..... **93-1072** \$47.95
11. Intake manifold (See page 192)
12. Manifold mounting screw
  - SH - 5/16" -18 x 3/4" 3275 (each) ..... **50-0302-S** \$0.95
  - SH - 5/16" -18 x 1" 3201WA, 2708 ..... **50-0101** \$0.95
  - HH - 5/16" -18 x 1" 3987 (each) .....  **50-0108** \$2.95
13. Flat washer - 5/16" 6320, 70907-07, 6016, 6702 ..... **50-7034** \$0.95
14. Manifold mounting flange
  - a. Standard Profile Flange
    - Front 27009-86A (each) .....  **16-0232** \$41.95
    - 5 pack .....  **16-0600** \$199.95
    - Rear 27010-86A (each) .....  **16-0233** \$41.95
    - 5 pack .....  **16-0601** \$199.95
    - Set (Front & Rear) ..... **106-3516** \$62.95
  - b. Low Profile Flange
    - Front ..... **106-1344** \$34.95
    - Rear ..... **106-1345** \$34.95
15. Manifold o-ring
  - For S&S heads (each) ..... **16-0235** \$6.95
  - 10 pack ..... **16-0243** \$48.95
  - For Stock heads 26995-86B, 26995-86A, 26992-99 (each) .....  **16-0236** \$5.95
  - 10 pack ..... **16-0244** \$42.95
16. Head gasket
  - For Stock Bolt Pattern
    - 3 3/4" x .043" Graphite 16775-99B (each) ..... **93-1045-S** \$35.95
    - 3 7/8" /3.927" x .030" Layered Steel (2 pack) ..... **900-0605** \$62.95
    - 3 7/8" /3.927" x .045" Layered Steel (each) ..... **900-0606** \$31.95
    - 4" x .043" Graphite (each) ..... **93-1043-S** \$13.95
    - 10 pack ..... **93-1058** \$115.95
    - 4 1/8" x .043" Layered Steel (each) ..... **93-1091-S** \$31.95
    - 10 pack ..... **93-1920** \$314.95
    - 4 1/8" x .030" Layered Steel (2 pack) ..... **900-0217** \$73.95
  - For S&S Bores
    - 4 1/8" x .043" Graphite (each) ..... **93-1047-S** \$12.95
    - 10 pack ..... **93-1073** \$125.95
    - 4 3/8" x .045" Copper (Set of Two) ..... **93-1081** \$104.95
17. Alignment dowel, base and head 16595-99A
  - each ..... **50-8177** \$3.95
  - 4 pack ..... **50-8177-4** \$10.95
18. Alignment dowel o-ring – Base (all bore sizes)
  - S&S heads 3 3/4" bore only 11105, 11273
    - each ..... **50-8008** \$2.95
    - 10 pack ..... **50-8078** \$9.95
19. Plug, HH - 14mm (each) ..... **90-4916** \$16.95
- 2 pack ..... **90-4916-2** \$26.95
20. Washer, compression - 14mm, 507" x .705" x .047" (each) ..... **50-7094** \$10.95
21. Head mount bolt - 3/8" -16 x 1 1/4" 4716W (each) ..... **50-0168** \$2.95
22. Flat washer - 3/8" (each) ..... **50-7051** \$2.95
23. Vent hose fitting, (For 4 1/8" Bore Only)
  - Front, 1/16" -27 pipe ..... **50-8117** \$10.95
  - Rear, 1/8" -27 pipe ..... **50-8115** \$4.95
24. Check Valve (For 4 1/8" Bore Only) ..... **50-8122** \$11.95
25. Base Gaskets
  - For S&S Bores
    - 4 3/8" x .018" Graphite (2 pack) ..... **93-1082** \$13.95
    - 4 1/8" x .018" Graphite (each) ..... **93-1048-S** \$6.95
    - 10 pack ..... **93-1074** \$53.95
    - 4" x .018" Graphite (each) ..... **93-1050-S** \$5.95
  - For Stock Bolt Pattern
    - 4 1/8" x .018" Graphite (each) ..... **93-1092-S** \$9.95
    - 10 pack ..... **93-1921** \$78.95
26. Base O-ring (Used for early S&S bores)
  - 4" x .103" (each) ..... **50-8049** \$7.95
  - 3 5/8" or 3 1/2" x .103" 11256 (each) ..... **50-8048** \$5.95

±  WARNING: Cancer and Reproductive Harm — www.P65Warnings.ca.gov





**TOP END REBUILD GASKET KITS FOR S&S® ENGINES FOR BIG TWINS**

Bore Size	Part #	MSRP
S&S 4 $\frac{3}{8}$ "	<b>90-9511*</b>	\$136.95
S&S 4 $\frac{1}{8}$ "	<b>90-9506</b>	\$89.95
4 $\frac{1}{8}$ " Stock Cases	<b>90-9510</b>	\$136.95
4"	<b>90-9505</b>	\$83.95
3 $\frac{7}{8}$ "	<b>90-9504</b>	\$104.95

*Kits include: Intake and exhaust seals, head & base gaskets, o-rings, pushrod o-rings, and valve guide seals.  
\*Does not include intake seals.*

# VALVE SPRING REPLACEMENT PARTS

## .720" & .660" Lift Valve Springs (B3 Cylinder Heads)

1. Seal, valve guide, intake/exhaust 18001-83B (each) . . . . .	 <b>90-2008</b>	\$3.95
8 pack . . . . .	 <b>90-2158</b>	\$17.95
2. Keeper, valve spring, SA . . . . .	<b>90-2153A</b>	\$5.95
3. Valve spring shim		
.015" (each) . . . . .	<b>90-2086</b>	\$2.95
5 pack . . . . .	<b>50-7161</b>	\$5.95
.030" (each) . . . . .	<b>90-2087</b>	\$2.95
5 pack . . . . .	<b>90-2198</b>	\$7.95

## .650" Lift Valve Springs (B2 Cylinder Heads)

1. Seal, Valve Guide, fits .315" x .554" OD, Viton® (4 pack) . . . . .	<b>900-0737</b>	\$9.95
2. Keeper, valve spring, Standard, 9° (each) . . . . .	<b>90-2094-S</b>	\$3.95

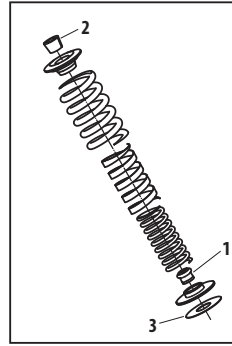
## .650" Lift Sidewinder® Valve Springs (Stock, Super Stock® & CNC Ported Cylinder Heads)

1. Spring, Valve .650" . . . . .	<b>106-5689</b>	\$52.95
2. Collar, Top, Steel . . . . .	<b>106-5690</b>	\$13.95
3. Collar, Bottom, Steel . . . . .	<b>106-5691</b>	\$9.95
4. Seal, Valve		
S&S CNC Ported Heads & 2005-up bt w/7mm valve stem . . . . .	<b>106-5688</b>	\$3.95
S&S Super Stock Heads		
.420" Cast (each) . . . . .	<b>900-0338</b>	\$2.95
.562" Powder Metal (4 pack) . . . . .	<b>900-0737</b>	\$9.95
5. Keeper, valve spring . . . . .	<b>106-5692</b>	\$5.95
6. Valve Spring Shim		
.015" (each) . . . . .	<b>500-0013</b>	\$2.95
.030" (each) . . . . .	<b>500-0014</b>	\$2.95

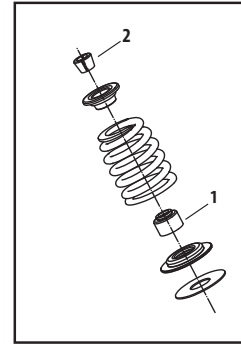
## .585" Lift Valve Springs (Stock, Super Stock® & CNC Ported Cylinder Heads)

1. Spring, Valve .585" . . . . .	<b>900-0444</b>	\$28.95
2. Collar, Top . . . . .	<b>900-0550</b>	\$9.95
3. Collar, Bottom		
For Stock Heads w/7mm valve stem (includes seal) . . . . .	<b>900-0590</b>	\$7.95
For CNC Ported Heads w/7mm valve stem . . . . .	<b>900-0549</b>	\$9.95
For Super Stock Heads . . . . .	<b>900-0600</b>	\$7.95
4. Seal, valve guide		
For Stock Heads w/7mm valve stem (includes bottom collar) . . . . .	<b>900-0590</b>	\$7.95
For CNC Ported Heads w/7mm valve stem . . . . .	<b>106-5688</b>	\$3.95
For Super Stock Heads		
.420" Cast (each) . . . . .	<b>900-0338</b>	\$2.95
.562" Powdermetal (4 pack) . . . . .	<b>900-0737</b>	\$9.95
5. Keeper, valve spring		
For Stock and CNC Ported Heads . . . . .	<b>106-5692</b>	\$5.95
For Super Stock Heads . . . . .	<b>90-2094-S</b>	\$3.95
6. Valve spring shim		
For Stock and CNC Ported Heads		
.015" . . . . .	<b>500-0013</b>	\$2.95
.030" . . . . .	<b>500-0014</b>	\$2.95
For Super Stock Heads		
.015" . . . . .	<b>90-2086</b>	\$2.95
.030" . . . . .	<b>90-2087</b>	\$2.95

.720" & .660" Lift Valve Springs



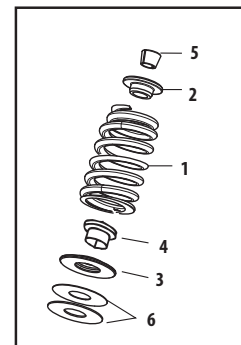
.650" Lift Valve Springs



.650" Lift Sidewinder® Valve Springs

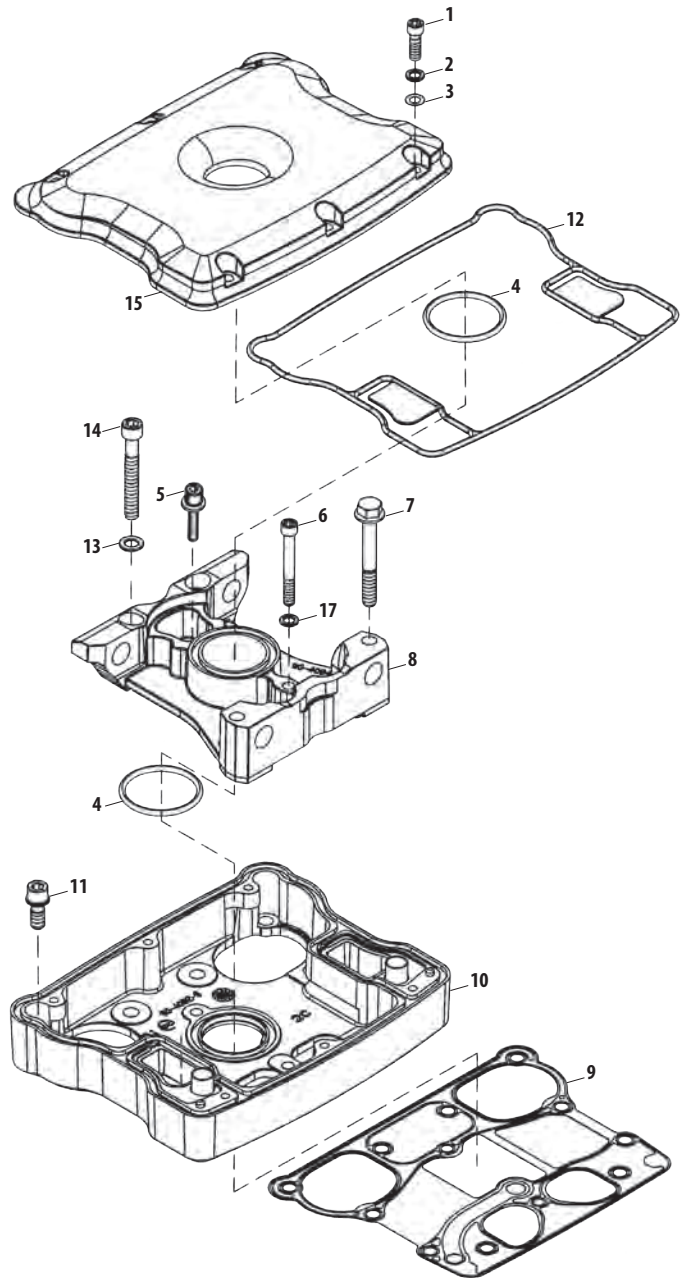


.585" Lift Valve Springs



# DIE-CAST ROCKER COVER REPLACEMENT PARTS FOR 1999–UP BIG TWIN ENGINES

1. Screw, socket head 1/4"-20 x 3/4" 4069A (each) ..... **50-0067** \$2.95
2. Washer, flat 1/4" (each) ..... **50-7017** \$2.95  
12 pack ..... **50-7013** \$7.95
3. Washer, silicone coated 1/4" (each) ..... **50-7015** \$2.95  
8 pack ..... **50-7015-8** \$7.95  
12 pack ..... **50-7015-12** \$10.95
4. Seal, o-ring  
(Included in gasket kit see #16 below.)
5. Screw, socket head, 1/4"-20 x 1" 4741A  
each ..... **50-0092-S** \$2.95  
4 pack ..... **50-0092-P** \$5.95
6. Screw, socket head, 1/4"-20 x 2" 25794-36 ..... **50-0013** \$2.95
7. Screw, hex flange head, 5/16"-18 x 2 1/2" 3501 ..... **50-0123** \$2.95
8. Support, rocker arm ..... **90-4140** \$62.95
9. Gasket, rocker cover, Graphite  
For Stock or S&S rocker covers on stock heads 16719-99B  
each ..... **90-4071-S** \$7.95  
2 pack ..... **90-4071** \$14.95  
10 pack ..... **90-4099** \$73.95  
For Stock rocker covers on S&S heads (each) ..... **90-4124** \$15.95  
2 pack ..... **90-4120** \$31.95
10. Housing, rocker, Chrome ..... **900-4283±** \$262.95
11. Screw, socket head, 5/16"-18 x 1" ..... **50-0125-S** \$2.95
12. Seal, rocker cover  
(Included in gasket kit see #16 below.)
13. Washer, flat 5/16" (each) ..... **50-7026** \$2.95
14. Screw, socket head 5/16"-18 x 2 1/4"  
each ..... **50-0115-S** \$2.95
15. Cover, rocker, chrome ..... **900-0706±** \$167.95
16. Gasket set - rocker cover, cast (Not Shown) ..... **90-4111** \$57.95
17. Washer, .261" x .474" x .050", Annealed, Stainless Steel ..... **50-7020** \$2.95



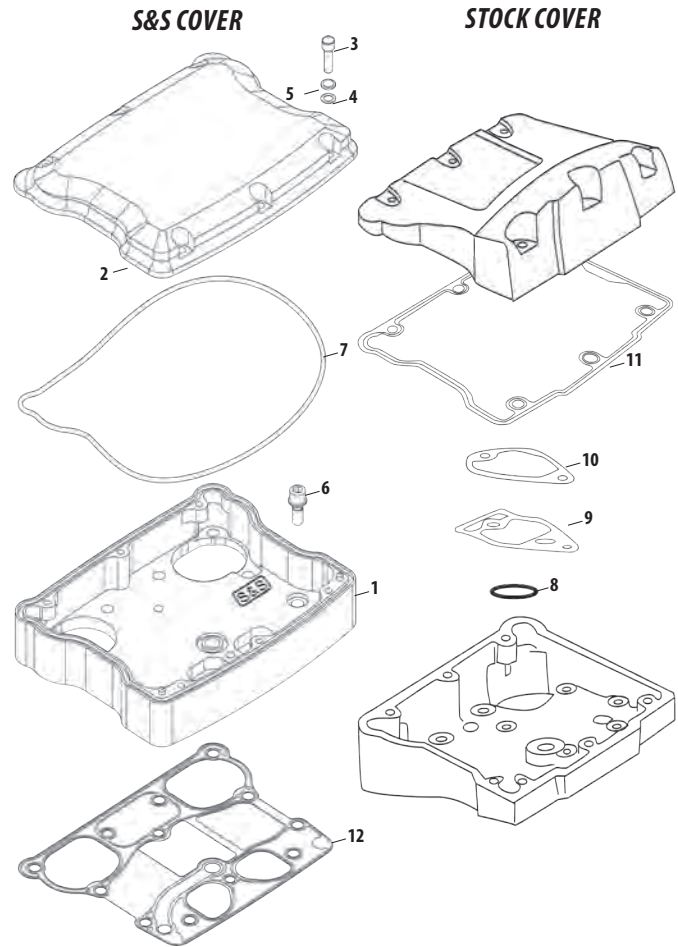
All reference to HD® part numbers is for identification purposes only. We in no way are implying that any of S&S Cycle's products are original equipment parts or that they are equivalent to the corresponding HD® part number shown.

± WARNING: Cancer and Reproductive Harm – www.P65Warnings.ca.gov

# BILLET ROCKER COVER REPLACEMENT PARTS FOR 1999–UP BIG TWIN ENGINES (DISCONTINUED)

- |  |            |          |
|--|------------|----------|
| 1. Base assembly, rocker .....                                     | N/A        |          |
| 2. Top, rocker cover .....   | N/A        |          |
| 3. Screw, SHCS, 1/4"-20 x 3/4" 4069A (each).....                   | 50-0067    | \$2.95   |
| 4. Washer, flat, chrome, 260" x .425" x .060"                      |            |          |
| each .....   | 50-7017±   | \$2.95   |
| 12 pack .....  | 50-7013±   | \$7.95   |
| 5. Washer, flat, rubber coated, 1/4" x 7/16" x .020"               |            |          |
| each .....   | 50-7015    | \$2.95   |
| 8 pack .....   | 50-7015-8  | \$7.95   |
| 12 pack .....  | 50-7015-12 | \$10.95  |
| 6. SHCS, 5/16"-18 x 1" with flatwasher .....                       | 50-0125-S  | \$2.95   |
| 7. O-ring, rocker cover seal, Viton® .....                         | 50-8050    | \$8.95   |
| 8. O-ring, (-114), .625" ID x .937" OD 11270 .....                 | 50-8033    | \$2.95   |
| 9. Gasket, Breather Baffle, Stock Pattern, Paper, 1999-'10 bt      |            |          |
| 17162-03, 17592-99 each .....                                      | 90-4078    | \$2.95   |
| 10. Gasket, Breather Cover, Stock Pattern, Paper, 1999-'10 bt      |            |          |
| 17591-99, 17162-03, 17592-99 each .....                            | 90-4077    | \$2.95   |
| 11. Gasket, Rocker Cover, Steel, 1999-up bt 17386-99A              |            |          |
| each .....   | 90-4096-S  | \$12.95  |
| 12. Gasket, bottom rocker cover                                    |            |          |
| each .....   | 90-4071-S  | \$7.95   |
| 2 pack .....   | 90-4071    | \$14.95  |
| 10 pack .....  | 90-4099    | \$73.95  |
| 9. Gasket kit, rocker cover (includes gaskets for 2 rocker covers) |            |          |
| For S&S billet rocker covers                                       |            |          |
| (includes #5,7,8,9,10,12) .....                                    | 90-4073    | \$50.95  |
| For 1999-'10 bt  |            |          |
| (includes #8,9,10,11,12) .....                                     | 90-4097    | \$104.95 |

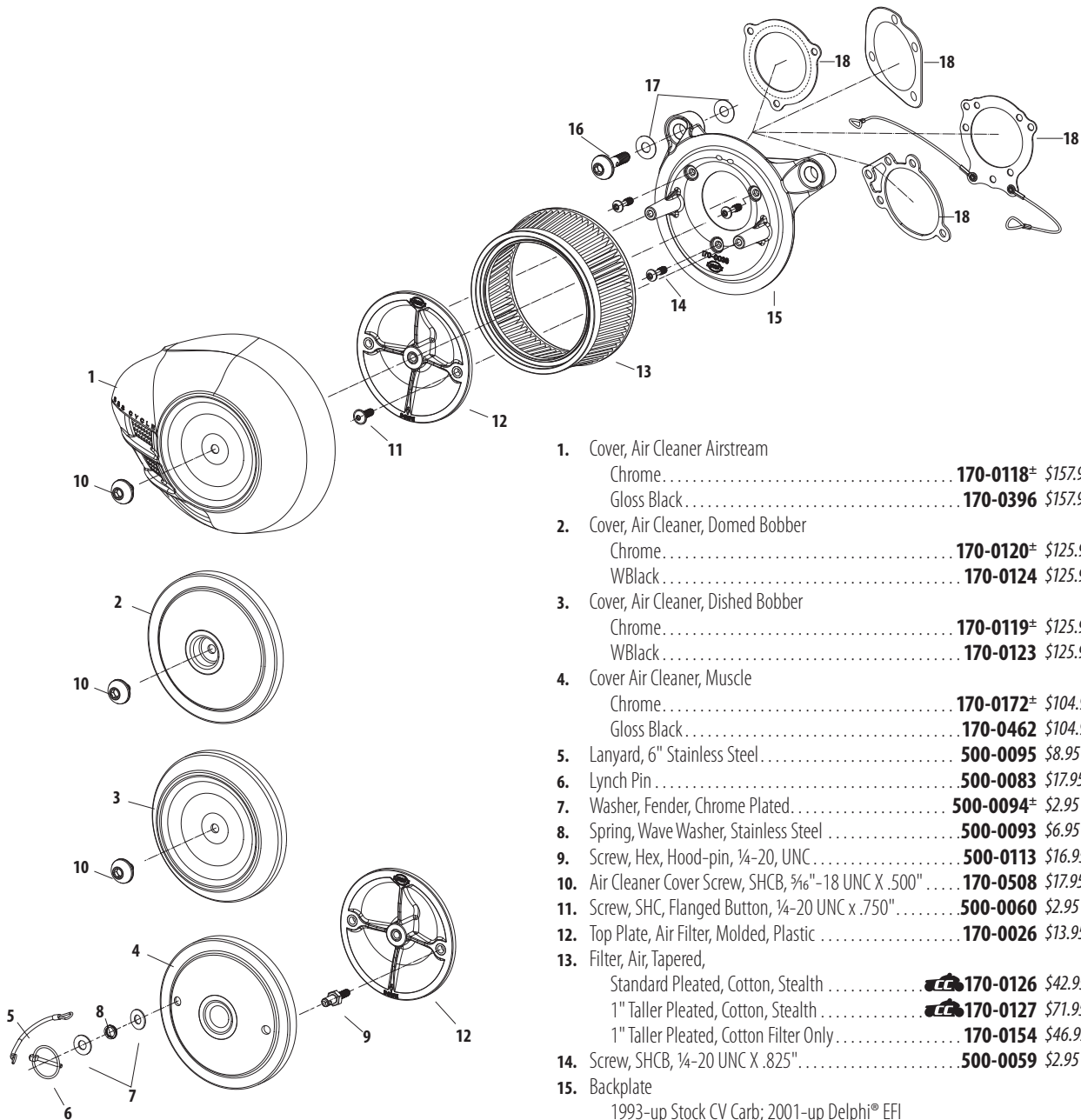
N/A = No longer available



All reference to HD® part numbers is for identification purposes only. We in no way are implying that any of S&S Cycle's products are original equipment parts or that they are equivalent to the corresponding HD® part number shown.

± ⚠️ WARNING: Cancer and Reproductive Harm – www.P65Warnings.ca.gov

# STEALTH AIR CLEANER REPLACEMENT PARTS



1. Cover, Air Cleaner Airstream  
 Chrome..... **170-0118<sup>±</sup>** \$157.95  
 Gloss Black..... **170-0396** \$157.95
2. Cover, Air Cleaner, Domed Bobber  
 Chrome..... **170-0120<sup>±</sup>** \$125.95  
 WBlack..... **170-0124** \$125.95
3. Cover, Air Cleaner, Dished Bobber  
 Chrome..... **170-0119<sup>±</sup>** \$125.95  
 WBlack..... **170-0123** \$125.95
4. Cover Air Cleaner, Muscle  
 Chrome..... **170-0172<sup>±</sup>** \$104.95  
 Gloss Black..... **170-0462** \$104.95
5. Lanyard, 6" Stainless Steel..... **500-0095** \$8.95
6. Lynch Pin..... **500-0083** \$17.95
7. Washer, Fender, Chrome Plated..... **500-0094<sup>±</sup>** \$2.95
8. Spring, Wave Washer, Stainless Steel..... **500-0093** \$6.95
9. Screw, Hex, Hood-pin, 1/4-20, UNC..... **500-0113** \$16.95
10. Air Cleaner Cover Screw, SHCB, 5/16"-18 UNC X .500"..... **170-0508** \$17.95
11. Screw, SHC, Flanged Button, 1/4-20 UNC x .750"..... **500-0060** \$2.95
12. Top Plate, Air Filter, Molded, Plastic..... **170-0026** \$13.95
13. Filter, Air, Tapered,  
 Standard Pleated, Cotton, Stealth..... **170-0126** \$42.95  
 1" Taller Pleated, Cotton, Stealth..... **170-0127** \$71.95  
 1" Taller Pleated, Cotton Filter Only..... **170-0154** \$46.95
14. Screw, SHCB, 1/4-20 UNC X .825"..... **500-0059** \$2.95
15. Backplate  
 1993-up Stock CV Carb; 2001-up Delphi® EFI  
 (except Throttle by Wire)..... **170-0021** \$48.95  
 Super E/G, Black, Die Cast, 1993-up bt..... **170-0049** \$87.95
16. Screw, Backplate Vent, SHCB, 3/8-16 x 1 1/2", Chrome Plated..... **170-0045<sup>±</sup>** \$24.95
17. Washer, Flat, Nitrile Rubber Coated, .380" x .880" x .024"  
 each..... **50-7054** \$2.95  
 10 pack..... **50-7059** \$12.95
18. Gasket, Backplate  
 Stock CV Carb & EFI Throttle Body, 1991-up bt 29062-95B  
 (except Throttle by Wire)..... **106-6022** \$3.95  
 Throttle by Wire, 58mm-72mm, .0625" Thick, 2008-up bt..... **160-0035** \$3.95  
 Super E/G, CV Adapter,..... **106-1724** \$3.95  
 w/ lanyards for use with Muscle Cover..... **170-0137** \$24.95

⚠️ WARNING: Cancer and Reproductive Harm – www.P65Warnings.ca.gov

# SINGLE BORE TUNED INDUCTION SYSTEM REPLACEMENT PARTS

## FOR S&S T-SERIES ENGINES AND 1999–'06 BIG TWINS

1. Tuned Intake Kit, 2.19" Single Bore with Red Filters
  - Gloss Black ..... **170-0454** \$311.95
  - Chrome Plated ..... **106-4967**± \$314.95
2. Tuned Intake Assembly, 2.19" Single Bore
  - Natural ..... **106-4968** \$188.95
  - Gloss Black ..... **170-0453** \$187.95
  - Chrome Plated ..... **106-4970**± \$188.95
3. Air Filter, w/clamp, Stainless Cap – Conical – 2 $\frac{1}{16}$ " I.D. x 4"
  - Red (each) ..... **17-1020** \$57.95
  - Blue (each) ..... **17-1023** \$57.95
4. Gasket, Intake – Adapter Plate ..... **17-1022** \$5.95
5. Plate, Adapter, 2.19" Single Bore Tuned Intake
  - Chrome Steel ..... **17-1014** \$77.95
6. FHSC  $\frac{1}{4}$ -20 x  $\frac{5}{8}$ " (each) ..... **50-0433** \$3.95
7. FHSC  $\frac{5}{16}$ -18 x  $\frac{5}{8}$ " (each) ..... **50-0432** \$5.95
8. O-Ring, Adapter Plate Bracket 3 $\frac{5}{8}$ " O.D. x 3 $\frac{1}{2}$ " I.D.  $\frac{1}{16}$  CS, Viton
  - each ..... **50-0446** \$3.95
9. Bracket Kit, 2.19" Single Bore Tuned Intake, Chrome
  - Super E/G, S&S T124 ..... **106-4973**± \$419.95
  - Super E/G, 1999-'06 BT ..... **106-4974**± \$419.95
  - Single VFI, S&S T124 ..... **106-4976**± \$419.95
  - Single VFI, 1984-up BT ..... **106-4977**± \$419.95
  - Stock Carb, Delphi® EFI, 1984-up BT ..... **106-4978**± \$419.95
10. Backplate Screw, SHC, w/Threadlock,  $\frac{1}{4}$ -20 x  $\frac{1}{2}$ " (each) ..... **106-2084** \$2.95
  - 10 pack ..... **106-2105** \$7.95
11. Screw,  $\frac{3}{16}$ -18 x  $1\frac{1}{4}$ , BHC, Chrome (each) ..... **50-0309-5**± \$5.95
12. Flat Washer  $\frac{5}{16}$ " x  $\frac{1}{16}$ " 6320, 70907-07, 6016, 6702 ..... **50-7034** \$0.95
13. Hose, Breather,  $\frac{1}{4}$ " I.D., 90° ..... **19-0178A** \$3.95
14. Screw, Breather Fitting,  $\frac{3}{8}$ -16 x  $1\frac{1}{4}$ " ..... **50-0436** \$14.95
15. Washer, Flat,  $\frac{3}{8}$ " x  $1\frac{3}{16}$ " x  $\frac{1}{16}$ ", Chrome ..... **50-7106-5**± \$3.95
16. Screw, Breather Fitting,  $\frac{1}{2}$ -13 x 1.25 ..... **50-0435** \$11.95
17. Shim Kit
  - (a)  $\frac{3}{16}$ " I.D. S&S 4 $\frac{1}{8}$ " engines ..... **17-0314** \$10.95
    - Includes:
    - .325" x 1" x .018", Stainless Steel (each) ..... **50-7038** \$2.95
    - .325" x 1" x .030", Stainless Steel (each) ..... **50-7039** \$2.95
    - .325" x 1" x .048", Stainless Steel (each) ..... **50-7040** \$2.95
    - .325" x 1" x .105", Stainless Steel (each) ..... **50-7041** \$2.95
    - .325" x 1" x .125", Stainless Steel (each) ..... **50-7042** \$2.95
  - (b)  $\frac{1}{2}$ " I.D. 1993-up BT ..... **17-0464** \$17.95
    - Includes:
    - .515" x 1" x .018", Stainless Steel (each) ..... **50-7085** \$2.95
    - .515" x 1" x .030", Stainless Steel (each) ..... **50-7086** \$2.95
    - .515" x 1" x .048", Stainless Steel (each) ..... **50-7087** \$2.95
    - .515" x 1" x .105", Stainless Steel (each) ..... **50-7089** \$2.95
    - .515" x 1" x .125", Stainless Steel (each) ..... **50-7090** \$4.95
18. Enrichment Device\*, S&S Super E & G carbs ..... **N/A** -
  - (\*Use in place of enrichment device on air cleaner backplate)
19. Gasket, Backplate - E/G/SBEFI (each) ..... **106-1724** \$3.95
  - 10 pack ..... **106-2328** \$26.95
20. Gasket, Backplate, S&S SBEFI 58mm ..... **106-4662** \$5.95
21. Gasket, Backplate, Stock carb/Throttle Body 29062-95B ..... **106-6022** \$3.95
22. Hardware Kit
  - 1999-'06 bt, Stock CV & EFI Delphi®
    - (includes #7, 8, 10, 11, 12, 13, 14, 15, 16, 17a, 17b, 19, 21) ..... **17-5098** \$136.95
  - 1999-'06 bt, Super E/G
    - (includes #7, 8, 10, 11, 12, 13, 14, 15, 16, 17a, 17b, 18, 19, 21) **17-5099**± \$115.95
  - S&S 4 $\frac{1}{8}$ " Bore Heads (includes #7, 8, 10, 11, 12, 13, 17a, 19) ..... **500-0016** \$63.95
23. Oil, Air Filter, 8 oz. (Not shown)
  - Red ..... **106-1163** \$30.95
  - Blue ..... **106-1164** \$30.95

### ACCESSORIES

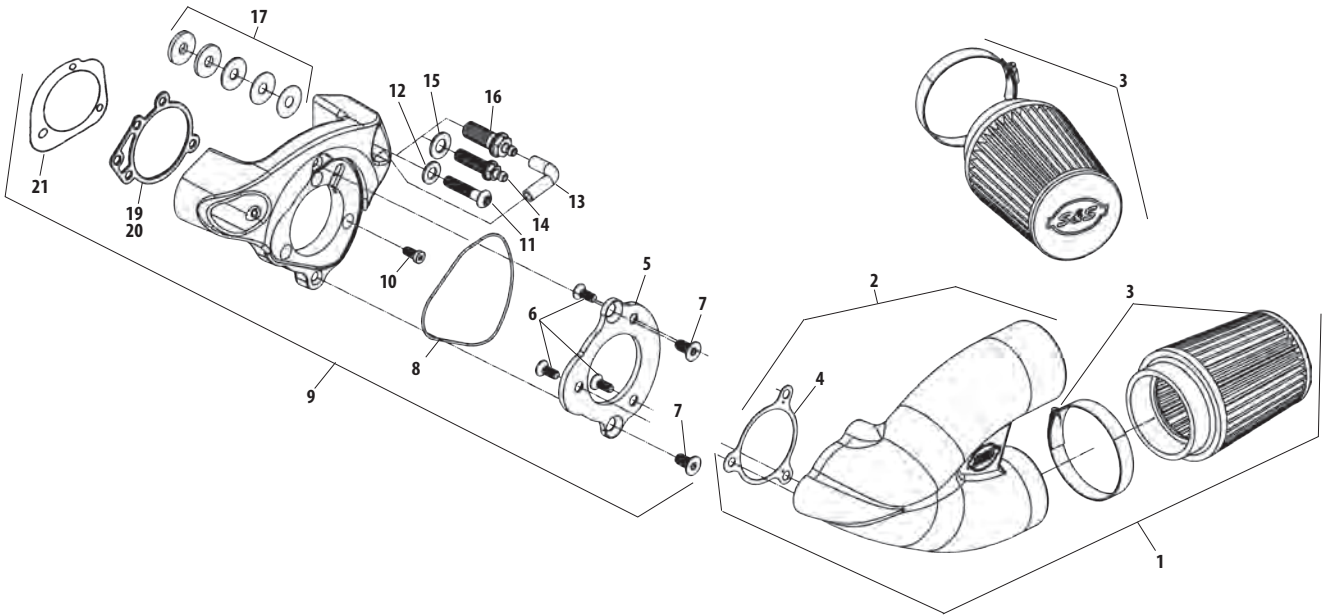
Description	Part #	MSRP
Nylon Air Filter Cover	each	<b>106-0247</b> \$48.95
	2 pack	<b>106-0248</b> \$96.95





All reference to HD® part numbers is for identification purposes only. We in no way are implying that any of S&S Cycle's products are original equipment parts or that they are equivalent to the corresponding HD® part number shown.

± WARNING: Cancer and Reproductive Harm – www.P65Warnings.ca.gov








# AIR CLEANER REPLACEMENT PARTS FOR STOCK FUEL SYSTEMS


1. Air cleaner cover			
a. Chrome	<b>17-0078</b> ±	\$164.95	
Black	<b>17-0075</b>	\$134.95	
b. Chrome	<b>17-0378</b> ±	\$158.95	
Gloss Black	<b>170-0384A</b>	\$158.95	
Slasher	<b>17-0004</b> ±	\$158.95	
2. Filter Element			
a. Foam	<b>17-0079</b>	\$18.95	
b. Pleated	<b>106-4722</b>	\$23.95	
3. Backplate			
a. 1993-'99, bt stock CV	<b>17-0003</b>	\$97.95	
b. 1993-'06 bt, stock CV/Delphi® EFI	<b>106-0907</b>	\$103.95	
4. Cover screw 1305 (each)	<b>50-0072</b>	\$2.95	
3 pack	<b>50-1052</b>	\$3.95	
10 pack	<b>50-0094</b>	\$8.95	
Black 902 (each)	<b>50-0310-S</b>	\$4.95	
3 pack	<b>50-0310</b>	\$10.95	
5. Screw			
b. All others — HHCS ¼"-28 x 7/8"	<b>50-0074</b>	\$0.95	
6. Backplate screw, BT 1999-up, All 2002-up EFI BT			
Zinc Plated (each)	<b>106-2084</b>	\$2.95	
10 pack	<b>106-2105</b>	\$7.95	
7. Backplate plug 1/8"-27 (each)	<b>50-8331A</b>	\$2.95	
10 pack	<b>50-1015</b>	\$10.95	
8. Spacer, 1/2" Hex, Threaded	<b>N/A</b>	—	
9. Stud, Fully Threaded, 5/16"-18 x 1.25", Zinc Plated, 1999-'01	<b>N/A</b>	—	
10. SHCS, ¼"-20 x ¾ SEMS	<b>50-0066</b>	\$1.95	
11. Screw, SHCS,			
1995-'98, ¼"-20 x ¾", SEMS	<b>50-0066</b>	\$1.95	
1999-'01, 5/16"-18 x ¾" 3275 (each)	<b>50-0302-S</b>	\$0.95	
12. Shims			
a. 5/8" x .025" (each)	<b>50-7113</b>	\$2.95	
10 pack	<b>50-7110</b>	\$7.95	
b. 5/8" x .050" (each)	<b>50-7114</b>	\$2.95	
10 pack	<b>50-7111</b>	\$8.95	
c. 5/8" x .075" (each)	<b>50-7115</b>	\$2.95	
10 pack	<b>50-7112</b>	\$11.95	
13. Breather screw seal			
a. BT 1993-'99, All 2002 EFI BT — Washer, .520 (each)	<b>50-7055</b>	\$2.95	
10 pack	<b>50-7057</b>	\$12.95	
b. BT 1999-up, All 2002 EFI BT — Washer, .380 (each)	<b>50-7054</b>	\$2.95	
10 pack	<b>50-7059</b>	\$12.95	
14. Breather fitting (each)	<b>17-0350</b>	\$4.95	
2 pack	<b>17-0355</b>	\$7.95	
15. Crankcase breather vent hose, BT 1999-up	 <b>17-0339</b>	\$7.95	
16. Vent hose, with angle cut	<b>17-0365</b>	\$3.95	
17. Hose fitting	<b>17-0336C-S</b>	\$7.95	
18. Hose, vent, breather, formed, .250" x .375" x 1.825", 1993-2007 BT (each)	<b>17-0364A</b>	\$5.95	
19. Flatwasher, ¼" 6194, 6245, 6703, 6736, 6228W, 6192 (each)	<b>50-7021</b>	\$2.95	
20. Washer, Lock, .250" 7035, 7036	<b>50-7019</b>	\$0.95	
21. Screw, SHCS, ¼"-20 x 1¼" (each)	<b>50-0008</b>	\$2.95	
22. Support bracket locknut - ¼"-28 x 7/8" (each)	<b>50-5010</b>	\$2.95	
23. Lockwasher, 5/16"	<b>50-7032</b>	\$0.95	
24. Rubber tubing - ¼" x 5/8" x 3'	 <b>N/A</b>	—	
25. Washer, flat - 3/8" x 7/8" x .146" (each)	<b>50-7053</b>	\$3.95	
26. Washer, Flat, .375" x .875" x .146", Zinc, Steel (each)	<b>50-7053</b>	\$3.95	
27. Support bracket			
a. 1999-up bt & EFI Softail® 2001	<b>N/A</b>	—	
b. 1995-2001 bt, Air Cleaner To Head, Nickel Plated	<b>106-1285</b>	\$12.95	
28. Shim - ¼" x ¾" x .200"	<b>50-7024</b>	\$2.95	
29. Screw vent fitting, BT 1999-up	<b>17-0345</b>	\$20.95	
30. Screw, Breather, +.250" (Rear Head)	<b>17-0348</b>	\$11.95	
31. Screw, Backplate (Rear Head), Socket Panhead 5/16"-24 x .360", Zinc, Alloy Steel	<b>17-0346</b>	\$5.95	
32. Screw, Backplate Vent (Front Head) 1999-'01, 5/16"-18	<b>17-0345</b>	\$20.95	
33. Screw, LSHC 5/16"-24, x 1/2" Stainless Steel Front Head	<b>106-2023</b>	\$6.95	
34. Cover, Breather Screw, Chrome, Aluminum, Front Head	<b>106-2022</b> ±	\$31.95	
35. Gasket, backplate (each)	<b>106-1724</b>	\$3.95	
10 pack	<b>106-2328</b>	\$26.95	
36. Adaptor assembly, 1993-'06 bt	<b>106-0881</b> ±	\$59.95	
37. Clamp, spring, 5/16"	<b>50-8001</b>	\$0.95	
38. Clamp, Spring, .660" (each)	<b>50-8076-S</b>	\$0.95	
39. Wire tie (N/S)	<b>50-8003</b>	\$2.95	

(N/S) = Not Shown



# SUPER E & G AIR CLEANER REPLACEMENT PARTS FOR 1999–'06 BIG TWINS

1. Air cleaner cover –			
Chrome.....	<b>17-0378</b> ±	\$158.95	
Gloss Black.....	<b>170-0384A</b>	\$158.95	
Slasher.....	<b>17-0004</b> ±	\$158.95	
2. Filter Element			
Pleated.....	<b>106-4722</b>	\$23.95	
Pleated Carbon.....	<b>17-0375</b>	\$52.95	
3. Backplate			
1999-'06 bt.....	 <b>17-0336</b>	\$104.95	
4 1/8" Bore (Manufactured after 1-1-03).....	 <b>17-0387</b>	\$104.95	
4. Cover screw			
Chrome (each).....	<b>50-0347-S</b> ±	\$2.95	
Stainless Steel 1305 (each).....	<b>50-0072</b>	\$2.95	
10 pack.....	<b>50-0094</b>	\$8.95	
Black 902 (each).....	<b>50-0310-S</b>	\$4.95	
3 pack.....	<b>50-0310</b>	\$10.95	
5. Backplate screw, Zinc Plated (each).....		<b>106-2084</b>	\$2.95
10 pack.....	<b>106-2105</b>	\$7.95	
6. Backplate plug 1/8"-27 (each).....		<b>50-8331A</b>	\$2.95
10 pack.....	<b>50-1015</b>	\$10.95	
7. Screw vent fitting – BT 1999-'06 except 06 Dyna®.....		<b>17-0345</b>	\$20.95
8. Screw, air cleaner to head.....		<b>17-0346</b>	\$5.95
9. Fast idle friction washer (each).....		<b>50-7035</b>	\$2.95
10 pack.....	<b>50-7058</b>	\$6.95	
10. Fast idle steel washer (each).....		<b>50-7037</b>	\$2.95
10 pack.....	<b>50-7061</b>	\$3.95	
11. Fast idle nylon washer (each).....		<b>50-7036</b>	\$2.95
10 pack.....	<b>50-7060</b>	\$3.95	
12. Fast idle lever.....		 <b>17-0329</b>	\$9.95
13. Fast idle brass washer (each).....		<b>50-7007</b> ±	\$2.95
10 pack.....	<b>50-7010</b> ±	\$12.95	
14. Fast idle lever screw (one required for current backplate)			
each.....	<b>50-0041</b>	\$2.95	
10 pack.....	<b>50-0062</b>	\$4.95	
15. Shim, .850" x .325" x .400"			
S&S 4 1/8" Bore.....	<b>50-7027</b>	\$4.95	
16. Shims			
a. S&S 4 1/8" Bore, .325" x 1" x			
.018" (each).....	<b>50-7038</b>	\$2.95	
.030" (each).....	<b>50-7039</b>	\$2.95	
.048" (each).....	<b>50-7040</b>	\$2.95	
b. BT 1993-'06, .625" x .880" x			
.025" (each).....	<b>50-7113</b>	\$2.95	
10 pack.....	<b>50-7110</b>	\$7.95	
.050" (each).....	<b>50-7114</b>	\$2.95	
10 pack.....	<b>50-7111</b>	\$8.95	
.075" (each).....	<b>50-7115</b>	\$2.95	
10 pack.....	<b>50-7112</b>	\$11.95	
17. Screw vent fitting			
b. BT 1999-up.....	<b>17-0345</b>	\$20.95	

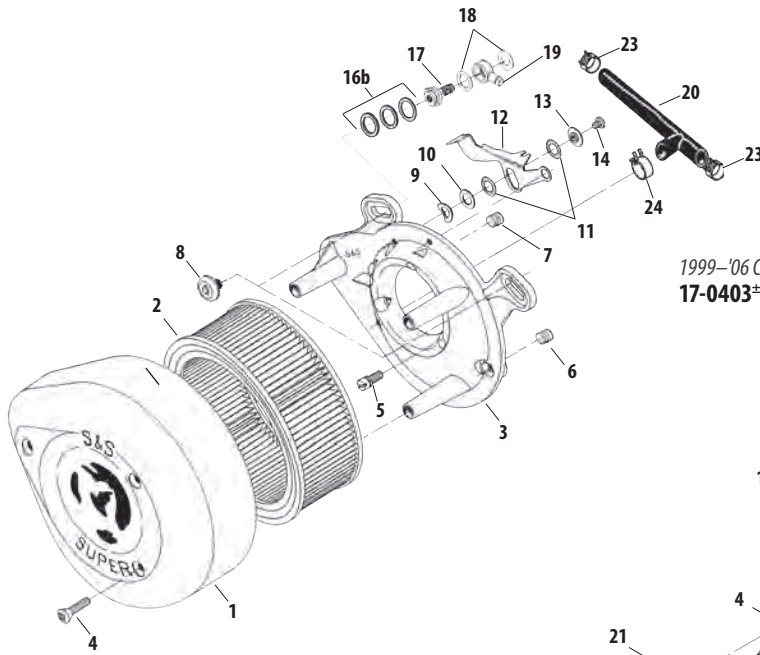
18. Washer, silicone coated steel			
BT 1999-up, .520" (each).....	<b>50-7055</b>	\$2.95	
10 pack.....	<b>50-7057</b>	\$12.95	
BT 1999-up, .380" (each).....	<b>50-7054</b>	\$2.95	
10 pack.....	<b>50-7059</b>	\$12.95	
19. Breather fitting (each).....		<b>17-0350</b>	\$4.95
2 pack.....	<b>17-0355</b>	\$7.95	
20. Crankcase breather hose, BT 1993-'99.....		 <b>17-0339</b>	\$7.95
21. Flatwasher – 5/16" x 1/16" 6320, 70907-07, 6016, 6702.....		<b>50-7034</b>	\$0.95
22. Mounting bracket bolt, S&S 4 1/8" Bore, 5/16"-18 x 1 1/4".....		<b>50-0110</b>	\$0.95
23. Spring clamps.....		<b>50-8001</b>	\$0.95
24. Clamp, Hose, Bolt Style, 5/8" – 7/8".....		<b>50-8002</b>	\$2.95
25. Plate, air cleaner noise reducer.....		<b>17-0389</b>	\$50.95
26. Plate, Restrictor, Super E/G TÜV, 1999-up bt.....		<b>N/A</b>	-
27. Rubber isolator mounts (each).....		<b>50-8510-S</b>	\$9.95
28. Shim, spacers, 1/2" OD x 1/4" ID x .080" (each).....		<b>50-7971-S</b>	\$2.95

## HARDWARE KITS

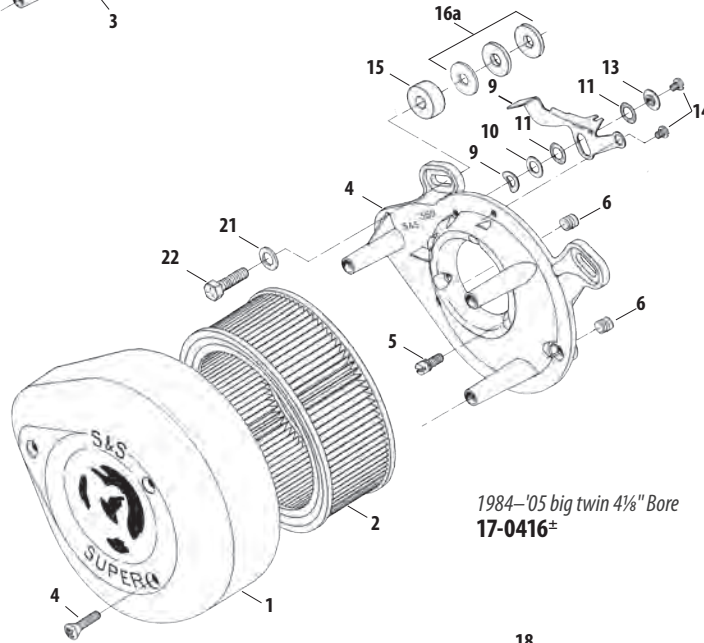
29. For Super E/G, 1999-up bt.....	<b>17-0437</b> ±	\$77.95
For Super E/G, 4-1/8", 1984-'99 bt.....	<b>17-0460</b> ±	\$25.95

All reference to HD® part numbers is for identification purposes only. We in no way are implying that any of S&S Cycle's products are original equipment parts or that they are equivalent to the corresponding HD® part number shown.

±  WARNING: Cancer and Reproductive Harm – www.P65Warnings.ca.gov



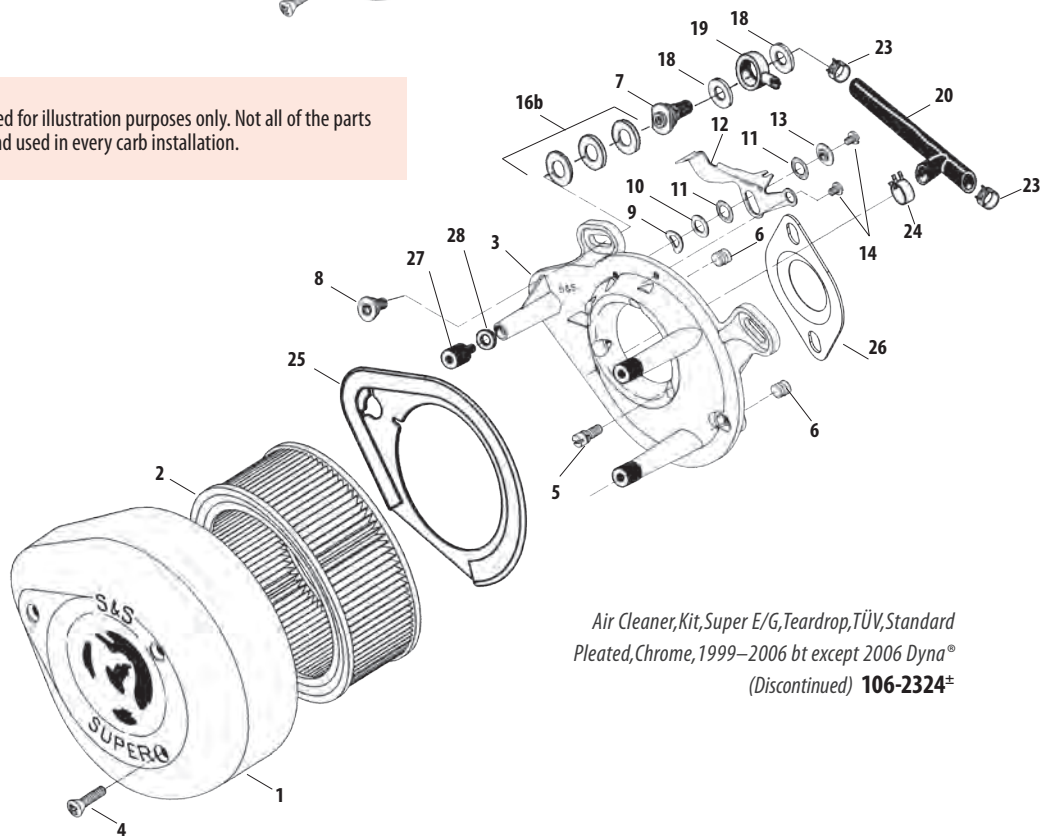
1999–'06 Carbureted Harley-Davidson® Twin Cam 88®  
17-0403±



1984–'05 big twin 4 1/8" Bore  
17-0416±

**NOTE**

The line drawing is used for illustration purposes only. Not all of the parts shown are included and used in every carb installation.



Air Cleaner, Kit, Super E/G, Teardrop, TÜV, Standard Pleated, Chrome, 1999–2006 bt except 2006 Dyna®  
(Discontinued) 106-2324±

# CLASSIC TEARDROP AIR CLEANER REPLACEMENT PARTS FOR S&S® SINGLE BORE EFI

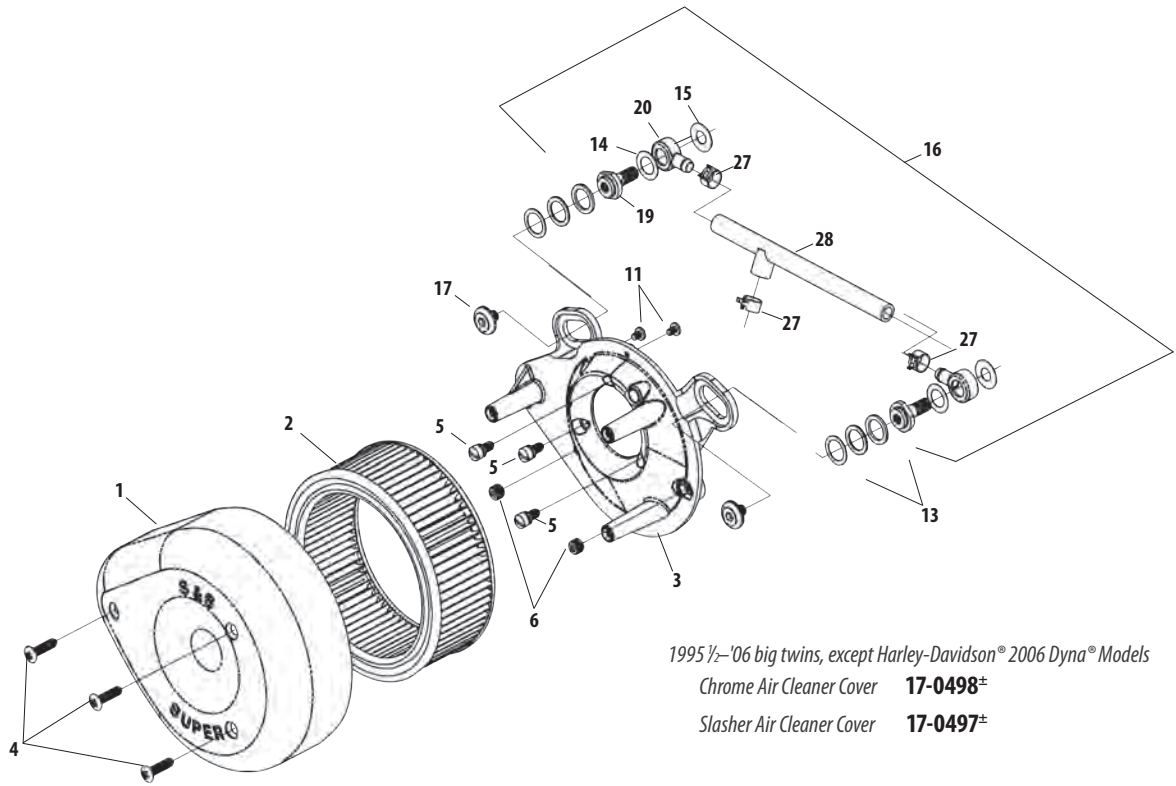
1. Air Cleaner Cover			
Slasher (slotted chrome) . . . . .	<b>17-0004</b> ±	\$158.95	
Chrome . . . . .	<b>17-0378</b> ±	\$158.95	
Gloss Black . . . . .	<b>170-0384A</b>	\$158.95	
2. Element, pleated . . . . .	<b>106-4722</b>	\$23.95	
3. Backplate SBFFI			
BT 1999–up . . . . .	<b>17-0120</b>	\$80.95	
S&S 4½" bore engines . . . . .	<b>17-0380</b>	\$104.95	
4. Screw, Cover, oval ¼–20 x 1			
Chrome 1305 (each) . . . . .	<b>50-0072</b> ±	\$2.95	
3 pack . . . . .	<b>50-1052</b> ±	\$3.95	
10 pack . . . . .	<b>50-0094</b> ±	\$8.95	
Black 902 (each) . . . . .	<b>50-0310-S</b>	\$4.95	
3 pack . . . . .	<b>50-0310</b>	\$10.95	
5. Backplate screw			
Zinc Plated (each) . . . . .	<b>106-2084</b>	\$2.95	
10 pack . . . . .	<b>106-2105</b>	\$7.95	
6. Pipe plug, ½, air cleaner backplate (each) . . . . .	<b>50-8331A</b>	\$2.95	
10 pack . . . . .	<b>50-1015</b>	\$10.95	
7. Mounting bracket bolt, hex ⅝–18 x 1¼ . . . . .	<b>50-0110</b>	\$0.95	
8. Flat washer, ⅝" x ⅞" 6320, 70907-07, 6016, 6702 . . . . .	<b>50-7034</b>	\$0.95	
9. Shim, .850" x .325" x .400" . . . . .	<b>50-7027</b>	\$4.95	
10. Shim kit for 4½" bore . . . . .	<b>17-0314</b>	\$10.95	
Individual shims, .325" x 1" x			
.018" (each) . . . . .	<b>50-7038</b>	\$2.95	
.030" (each) . . . . .	<b>50-7039</b>	\$2.95	
.048" (each) . . . . .	<b>50-7040</b>	\$2.95	
.105" (each) . . . . .	<b>50-7041</b>	\$2.95	
.125" . . . . .	<b>50-7042</b>	\$2.95	
2 pack . . . . .	<b>50-7042P</b>	\$4.95	
11. Screw, cable guide & air cleaner backplate, 10–24 x ¼ (each)	<b>50-0041</b>	\$2.95	
10 pack . . . . .	<b>50-0062</b>	\$4.95	
12. Breather hardware for 4½" bore . . . . .	<b>31-2104</b>	\$42.95	
(Not included in air cleaner kit)			
13. Shims, individual			
⅝ x ⅞ x .025 (each) . . . . .	<b>50-7113</b>	\$2.95	
10 pack . . . . .	<b>50-7110</b>	\$7.95	
⅝ x ⅞ x .050 (each) . . . . .	<b>50-7114</b>	\$2.95	
10 pack . . . . .	<b>50-7111</b>	\$8.95	
⅝ x ⅞ x .075 (each) . . . . .	<b>50-7115</b>	\$2.95	
10 pack . . . . .	<b>50-7112</b>	\$11.95	
14. Silicone washer, ½" ID (each) . . . . .	<b>50-7055</b>	\$2.95	
10 pack . . . . .	<b>50-7057</b>	\$12.95	
15. Silicone washer, ⅜" ID (each) . . . . .	<b>50-7054</b>	\$2.95	
10 pack . . . . .	<b>50-7059</b>	\$12.95	
16. Breather hardware for 1999–up bt . . . . .	<b>17-0455</b>	\$41.95	
(Not included in air cleaner kit)			
17. Screw, wide head, ⅝–24 x .36 . . . . .	<b>17-0346</b>	\$5.95	
18. Air cleaner hardware kit (N/S)			
BT 1999–up . . . . .	<b>17-0482</b>	\$20.95	
S&S 4½" bore . . . . .	<b>17-0481</b>	\$25.95	

19. Breather vent fitting, BT 1999–up . . . . .	<b>17-0345</b>	\$20.95
20. Breather fitting (each) . . . . .	<b>17-0350</b>	\$4.95
2 pack . . . . .	<b>17-0355</b>	\$7.95
21. Check Valve . . . . .	<b>50-8122</b>	\$11.95
22. Clamp, Spring, .660" . . . . .	<b>50-8076-S</b>	\$0.95
23. Clamp, Spring, .440" . . . . .	<b>50-8143-S</b>	\$0.95
24. Hose, Cut To Size, 1875" x 6", Black, Rubber, SAE 30R2 . . . . .	<b>50-8142AS</b>	\$4.95
25. Hose, Rear, Vent, Breather, Formed, Section 1, SAE J30 . . . . .	<b>50-8262-S</b>	\$15.95
26. Hose, Rear, Vent, Breather, Formed, Section 2, SAE J30 . . . . .	<b>50-8263-S</b>	\$12.95
27. Clamp, Spring, ⅝" . . . . .	<b>50-8001</b>	\$0.95
28. Hose, Vent, Breather, Epichlorohydrin Polymer . . . . .	<b>USA 17-0339</b>	\$7.95

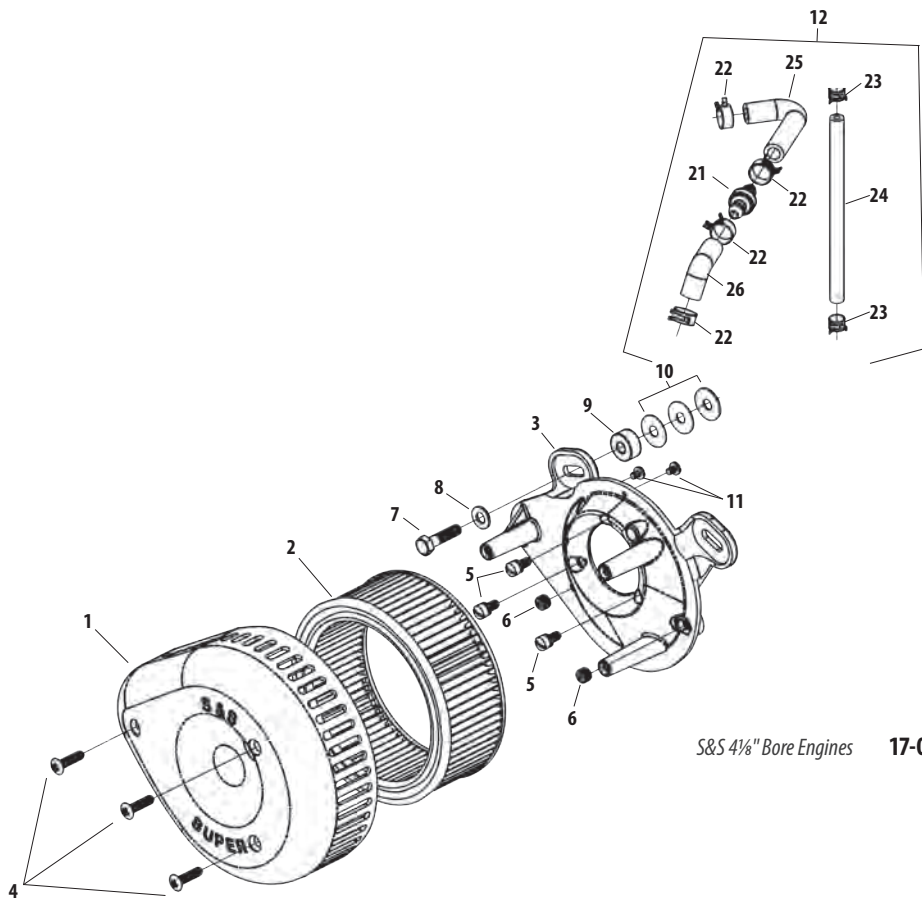
(N/S) = Not shown

**NOTE** Breather hardware not included in these air cleaner kits.

All reference to HD® part numbers is for identification purposes only. We in no way are implying that any of S&S Cycle's products are original equipment parts or that they are equivalent to the corresponding HD® part number shown.











1995 1/2–'06 big twins, except Harley-Davidson® 2006 Dyna® Models  
 Chrome Air Cleaner Cover **17-0498**±  
 Slasher Air Cleaner Cover **17-0497**±



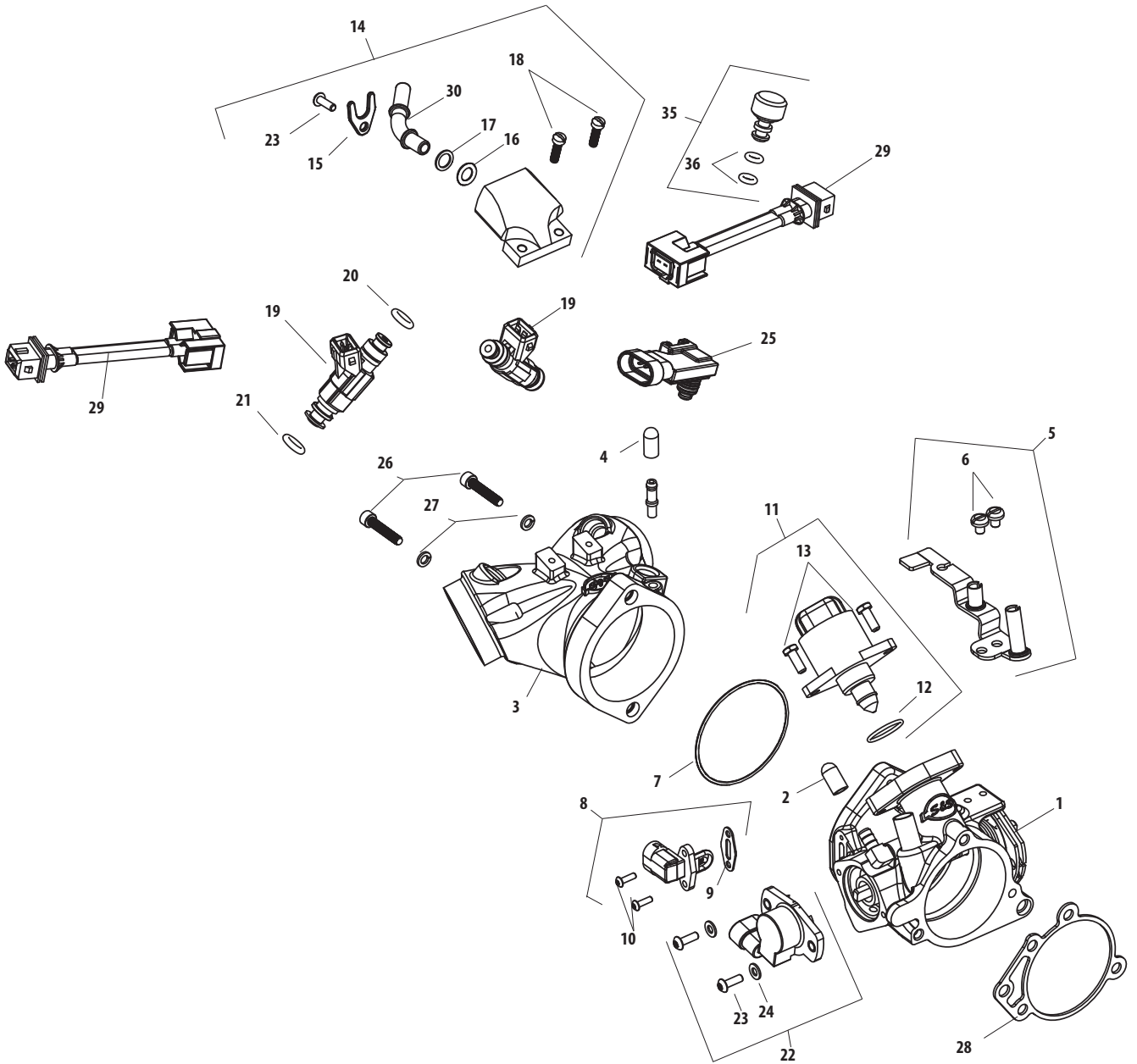
S&S 4 1/8" Bore Engines **17-0496**

# SINGLE BORE EFI THROTTLE BODY AND RELATED REPLACEMENT PARTS

- |   |  |          |
|---|--|----------|
| 1. Throttle body  |  |          |
| 52mm 1995-'05   | <b>16-5101</b>   | \$367.95 |
| 52mm 2006-Up  |  <b>16-5153</b>   | \$398.95 |
| 58mm 1995-'05   |  <b>106-3954</b>  | \$367.95 |
| 58mm 2006-Up  |  <b>106-3957</b>  | \$367.95 |
| 2. Cap, canister purge (each)                             | <b>50-8266-S</b>   | \$5.95   |
| 3. Manifold (See page 192)                                |  |          |
| 4. Cap, rubber, manifold, fitting                         | <b>50-8372</b>   | \$2.95   |
| 5. Throttle cable guide packet with hardware              | <b>55-5084</b>   | \$36.95  |
| 6. Screw, cable guide & air cleaner backplate (each)      | <b>50-0041</b>   | \$2.95   |
| 10 pack   | <b>50-0062</b>   | \$4.95   |
| 7. O-ring, throttle body to manifold                      | <b>50-7967-S</b>   | \$2.95   |
| 8. Intake air temperature sensor with hardware 27270-95   |  <b>55-5041±</b>  | \$18.95  |
| 9. Gasket, IAT  | <b>16-5009-S</b>   | \$4.95   |
| 10. Screw, M3, IAT  | <b>50-0357-S</b>   | \$0.95   |
| 11. Idle air control motor SS EFI with hardware, 1995-'05 |  |          |
| 27628-01, 27628-01A                                       |  <b>55-5085±</b>  | \$95.95  |
| 12. O-ring, IAC   | <b>50-8149-S</b>   | \$2.95   |
| 13. Screw, 10-24, IAC                                     |  |          |
| 1995-'05 (each)   | <b>50-0356-S</b>   | \$0.95   |
| 2006-Up (each)  | <b>50-0358-S</b>   | \$0.95   |
| 14. Fuel rail kit   |  |          |
| 2006-'16 (Fuel inlet tube included)                       | <b>16-5202</b>   | \$117.95 |
| 2002-'05 (Fuel inlet tube not included)                   | <b>16-5203</b>   | \$73.95  |
| 1995-'01  | <b>16-5207</b>   | \$187.95 |
| 15. Tube clip, fuel rail inlet 2001-'07                   |  |          |
| each  | <b>50-0391-S</b>   | \$8.95   |
| 16. O-ring, fuel rail inlet, 2001-'07 27237-95            |  |          |
| each  | <b>50-8137-S</b>   | \$2.95   |
| 17. Backing washer, fuel rail inlet                       |  |          |
| 2001-'07  | <b>50-0349-S</b>   | \$0.95   |
| 18. Screw, rail, 1995-Up                                  |  |          |
| each  | <b>50-0039</b>   | \$2.95   |
| 10 pack   | <b>50-0146</b>   | \$5.95   |
| 19. Fuel injector   |  |          |
| each  | <b>55-5052A</b>  | \$157.95 |
| 2 pack  | <b>55-5052</b>   | \$262.95 |
| 20. O-ring, injector top, black                           | <b>50-8264-S</b>   | \$3.95   |
| 21. O-ring, injector bottom, orange                       | <b>50-8265-S</b>   | \$3.95   |
| 22. Throttle position sensor VFI with hardware            |  |          |
| 1995-'01 27271-95   |  <b>55-5058</b> | \$89.95  |
| 23. Screw, TP sensor & fuel rail                          |  |          |
| each  | <b>50-0358-S</b>   | \$0.95   |
| 25. MAP sensor 32424-98, 32416-10, 32417-10               |  <b>55-5057</b> | \$44.95  |
| 26. Screw, throttle body to manifold                      |  |          |
| each  | <b>50-0359-S</b>   | \$0.95   |
| 27. Washer, lock, #10, throttle body to manifold          | <b>50-7000</b>   | \$0.95   |
| 28. Gasket, backplate                                     |  |          |
| 52mm (each)   | <b>106-1724</b>  | \$3.95   |
| 10 pack   | <b>106-2328</b>  | \$26.95  |
| 58mm (each)   | <b>106-4662</b>  | \$5.95   |
| 29. Harness, injector adapter kit                         |  |          |
| 1995-'05  | <b>55-5074</b>   | \$19.95  |
| 2006-Up   | <b>55-5209</b>   | \$18.95  |
| 30. Fuel inlet tube 45°, 2002-up 27221-95                 |  <b>50-0485</b> | \$23.95  |
| 31. Spacer, throttle position — 2002-up                   | <b>55-5201</b>   | \$8.95   |
| 32. Pressure regulator, 1995-'01                          | <b>16-5297</b>   | \$42.95  |
| 33. Screw, pressure regulator, 6-32 x 3/16", 1995-'01     | <b>50-0279-S</b>   | \$0.95   |
| 34. Clamps, Hose, 1/2" diameter, smooth, 1995-'01         |  |          |
| each  | <b>50-8352</b>   | \$3.95   |
| 35. Plug, assembly, MAP sensor hole, 1995-'01             | <b>50-8350</b>   | \$13.95  |
| 36. O-ring, MAP plug, 1995-'01                            |  |          |
| each  | <b>50-8133-S</b>   | \$2.95   |

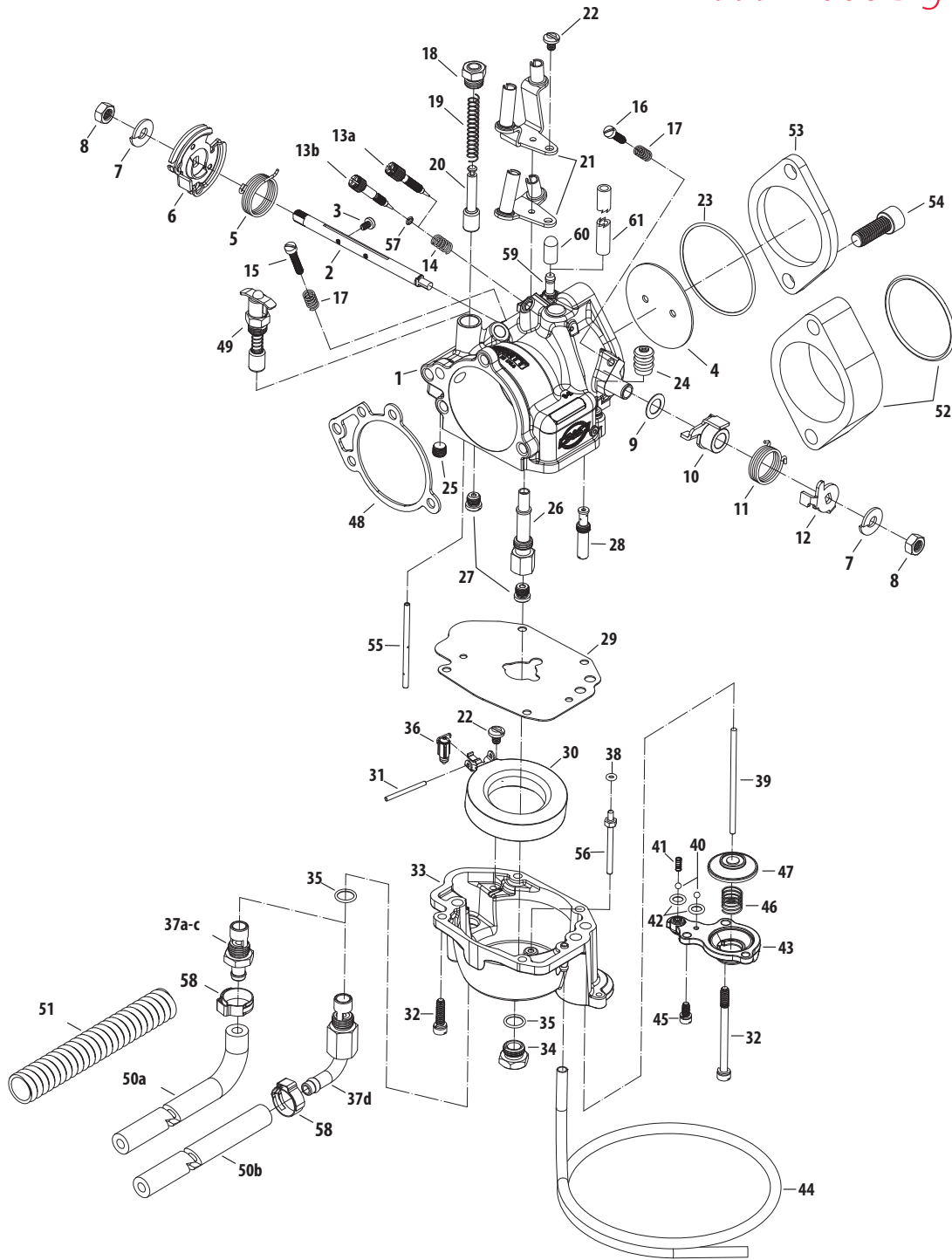
(N/S) = Not Shown





# SUPER E & G CARBURETOR REPLACEMENT PARTS

- |  |                    |          |
|--|--------------------|----------|
| 1. Carb body assembly  |                    |          |
| 1 7/8" Super E   | USA 11-2381±       | \$251.95 |
| 2 1/16" Super G  | 11-2391±           | \$262.95 |
| 2. Throttle shaft  |                    |          |
| 1 7/8" Super E — Includes two plate screws   | 11-2383            | \$24.95  |
| 2 1/16" Super G — Includes two plate screws  | 11-2483            | \$21.95  |
| 3. Throttle plate screw 11-2045- (two required) (each)                                   | 50-0055-S          | \$2.95   |
| 10 pack  | 50-0064            | \$9.95   |
| 4. Throttle plate  |                    |          |
| 1 7/8" Super E   | 11-2055            | \$11.95  |
| 2 1/16" Super G  | 11-2355            | \$16.95  |
| 5. Throttle return spring (each)   | 11-2382            | \$2.95   |
| 5 pack   | USA 1,2,3 11-3502  | \$7.95   |
| 6. Throttle spool  | USA 1,2,3 11-2385  | \$2.95   |
| 7. Throttle shaft lock washer (two required)   | 50-7031            | \$2.95   |
| 8. Throttle shaft nut (two required) (each)  | 11-2350            | \$2.95   |
| 5 pack   | 11-2363            | \$7.95   |
| 9. Throttle shaft nylon washer (each)  | 50-7050            | \$2.95   |
| 10 pack  | 50-7072            | \$7.95   |
| 10. Pump actuator lever  | 11-2376            | \$9.95   |
| 11. Actuator spring (each)   | 11-2375-S          | \$2.95   |
| 5 pack   | USA 1,2,3 11-3501  | \$9.95   |
| 12. Pump actuator arm  | 11-2377            | \$3.95   |
| 13. Idle mixture screw   |                    |          |
| a. Idle mixture screw, brass (each)  | 11-2354±           | \$9.95   |
| 5 pack   | 11-2378±           | \$41.95  |
| b. Idle mixture screw only   |                    |          |
| each   | 110-0003           | \$11.95  |
| 5 pack   | 110-0069±          | \$55.95  |
| Idle mixture screw w/ 500-0036 o-ring  |                    |          |
| each   | 110-0068±          | \$12.95  |
| 14. Idle mixture screw spring (each)   | 11-2052            | \$0.95   |
| 10 Pack  | USA 1,2,3 11-2060  | \$7.95   |
| 15. Idle speed screw (each)  | 50-0038            | \$2.95   |
| 10 Pack  | 50-0150            | \$8.95   |
| 16. Pump adjustment screw (each)   | 50-0039            | \$2.95   |
| 10 Pack  | 50-0146            | \$5.95   |
| 17. Idle speed/pump adjuster spring (each)   | 11-2048            | \$0.95   |
| 10 pack  | USA 1,2,3 11-2053  | \$7.95   |
| 18. Plunger nut (each)   | 11-2344±           | \$3.95   |
| 5 Pack   | 11-2372±           | \$13.95  |
| 19. Plunger spring (each)  | 11-2340            | \$2.95   |
| 10 Pack  | USA 1,2,3 11-2359  | \$10.95  |
| 20. Fast idle plunger  | 11-2343            | \$13.95  |
| 21. Cable guide assembly with screw  |                    |          |
| Use with butterfly style cables  | 11-2339P           | \$27.95  |
| Use with constant velocity style cables  | 11-2338P           | \$27.95  |
| 22. Cable clamp/float pin screw (each)   | 50-0041            | \$2.95   |
| 10 Pack  | 50-0062            | \$4.95   |
| 23. O-ring   |                    |          |
| 1 7/8" Super E (each)  | 50-8016            | \$2.95   |
| 10 Pack  | 50-8094            | \$10.95  |
| 2 1/16" Super G (each)   | 50-8015            | \$2.95   |
| 10 pack  | 50-8093            | \$10.95  |
| 24. Bellows seal (each)  | 11-2266            | \$4.95   |
| 5 Pack   | 11-2279            | \$18.95  |
| 25. Bowl vent plug (each)  | 50-0105            | \$2.95   |
| 10 pack  | 50-0151            | \$6.95   |
| 26. Main discharge tube  | 11-2085±           | \$12.95  |
| 27. Main jet — See Chart on 198  |                    |          |
| 28. Intermediate Jets — See Chart on 197   |                    |          |
| Series #94 fits all Super 1 7/8", 2 1/16" 2 1/4" gas carburetors.                        |                    |          |
| 29. Bowl gasket (each)   | 11-2386            | \$3.95   |
| 10 pack  | 11-2387            | \$27.95  |
| 30. Float  | 11-2187            | \$21.95  |
| 31. Float pin (each)   | 11-2369±           | \$2.95   |
| 5 Pack   | 11-2370±           | \$7.95   |
| 32. Bowl screw   |                    |          |
| 10-24 x 3/4" — Three required (each)   | 50-0034            | \$2.95   |
| 10 Pack  | 50-0063            | \$14.95  |
| 10-24 x 2 3/8" — One required (each)   | 50-0040            | \$2.95   |
| 10 Pack  | 50-0061            | \$9.95   |
| 33. Carb bowl only   | USA 1,2,3 11-2388± | \$78.95  |
| Carb bowl assembly   | USA 1,2,3 11-2388P | \$172.95 |
| 34. Bowl plug (each)   | 11-2090            | \$3.95   |
| 5 pack   | 11-2092±           | \$12.95  |
| 35. Seat o-ring* (required with part #11-2465 only when replaces 360° style fuel inlet.) |                    |          |
| each   | 50-8009            | \$2.95   |
| 10 pack  | 50-8095            | \$13.95  |
| 36. Needle   |                    |          |
| 1 7/8" Super E & 2 1/16" Super G   | USA 1,2,3 11-2195± | \$13.95  |
| Racing only  | 11-2197±           | \$62.95  |
| 37. Seat — Includes O-ring #35   |                    |          |
| (Replaces obsolete seats 11-2347 and 11-2348)  |                    |          |
| a. 1 7/8" E & 2 1/16" G (Uses part #11-2195± needle)                                     | 11-2465            | \$13.95  |
| b. Racing only (Uses part #11-2197± needle)  | N/A                | —        |
| c. Racing only — threaded fuel inlet (6AN, 157" ID)                                      |                    |          |
| (Uses part #11-2195± needle)   | 11-2395            | \$33.95  |
| d. Permeation Compliant fuel inlet seat Super E or G                                     |                    |          |
| (Uses part #11-2195± needle)   | USA 1,2,3 106-2011 | \$25.95  |
| 38. Ejector nozzle o-ring (each)   | 50-8011            | \$2.95   |
| 10 Pack  | 50-8096            | \$9.95   |
| 39. Pump pushrod (each)  | 11-2373            | \$6.95   |
| 5 Pack   | USA 1,2,3 11-2393  | \$25.95  |
| 40. Check ball — (two required) (each)   | 50-8090            | \$2.95   |
| 10 pack  | 50-8125            | \$5.95   |
| 41. Check ball spring (each)   | 11-2374            | \$2.95   |
| 5 Pack   | USA 1,2,3 11-2392  | \$9.95   |
| 42. Pump cap o-ring — (two required) (each)  | 50-8012            | \$2.95   |
| 10 Pack  | 50-8100            | \$11.95  |
| 43. Pump cap assembly  | USA 1,2,3 11-2389  | \$27.95  |
| 44. Overflow hose per 24" 27369-76 (each)  | USA 19-0262-S      | \$5.95   |
| 5 Pack   | USA 19-0263        | \$26.95  |
| 45. Pump cap screw 8-32 — (two required) (each)  | 50-0042            | \$2.95   |
| 10 Pack  | 50-0098            | \$5.95   |
| 46. Diaphragm spring (each)  | 11-2275            | \$2.95   |
| 10 pack  | USA 1,2,3 11-2278  | \$7.95   |
| 47. Diaphragm  | 11-2282            | \$15.95  |
| 48. Gasket, backplate (each)   | 106-1724           | \$3.95   |
| 10 pack  | 106-2328           | \$26.95  |
| 49. Enrichment device (Use with air horn only)   | 11-2084±           | \$26.95  |
| 50. Fuel line  |                    |          |
| a. With 90° bend*19"   | N/A                | —        |
| b. Permeation Compliant Straight, 311" x .563" x 17.5"                                   |                    |          |
| (Use with part #106-2011, 90° seat)  | 190-0001           | \$8.95   |
| 51. Fuel line insulator — 12"  | USA 1,2,3 19-0172  | \$28.95  |
| 52. Spacer, Kit, w/ O-ring   |                    |          |
| 1 7/8" x 1"  | 16-0057*           | \$59.95  |
| 2 1/16" x 1"   | 16-0357*           | \$72.95  |
| 2 1/4" x 1"  | 16-0157*           | \$69.95  |
| *Use with 1" Spacer Block  | 16-0058            | \$139.95 |
| 53. Insulator Block, Manifold, w/ O-ring   |                    |          |
| 1 7/8" x 1/4" Super E  | 16-0491            | \$28.95  |
| 1 7/8" x 3/8" Super E  | 16-0497            | \$28.95  |
| 2 1/16" x 1/4" Super G   | 16-0492            | \$28.95  |
| 2 1/16" x 3/8" Super G   | 16-0498            | \$28.95  |
| 2 1/4" x 1/4" Super D  | 16-0499            | \$41.95  |
| 54. Screw  |                    |          |
| 1" x 3/8"-16 (each)  | 50-0161            | \$0.95   |
| 1 1/4" x 3/8"-16 (each)  | 50-0162            | \$2.95   |
| 10 pack  | 50-0177            | \$10.95  |
| 1 3/8" x 3/8"-16 (each)  | 50-0163            | \$3.95   |
| 5 pack   | 50-0178            | \$11.95  |
| 2" x 3/8"-16 (each)  | 50-0164            | \$3.95   |



5 pack .....	<b>50-0185</b>	\$14.95
1 1/4" x 1/4"-20 4740A, 3482A (each) .....	<b>50-0008</b>	\$2.95
1 1/2" x 1/4"-20 4718A.....	<b>50-0079</b>	\$0.95
2 1/4" x 1/4"-20 4717A.....	<b>50-0078</b>	\$0.95
<b>55.</b> Tube, Fast Idle Pick-Up, Super E/G., 125" x 2.350", Brass .....	<b>0381F±</b>	\$5.95
<b>56.</b> Tube, Ejector Nozzle, Super E/G, Flared, Brass.....	<b>106-6124±</b>	\$9.95
<b>57.</b> O-ring, 3mm x 5mm x 1mm (each).....	<b>500-0036</b>	\$2.95
10 pack .....	<b>500-0148</b>	\$7.95
<b>58.</b> Clamp, 5/8" - 7/8" .....	<b>50-8002</b>	\$2.95
<b>59.</b> Hose, Fitting straight, .040".....	<b>16-0134</b>	\$3.95
<b>60.</b> VOES Fitting Cap .....	<b>50-8372</b>	\$2.95
<b>61.</b> VOES/Oil Return Hose.....	<b>19-0395</b>	\$3.95



\*360° banjo style fuel inlet fitting used on early S&S E&G carbs is no longer available. Replace with one of the inlet/seat fittings listed under #37 on this page. We highly recommend inlet/seat #106-2011.

± WARNING: Cancer and Reproductive Harm – www.P65Warnings.ca.gov

All reference to HD® part numbers is for identification purposes only. We in no way are implying that any of S&S Cycle's products are original equipment parts or that they are equivalent to the corresponding HD® part number shown.

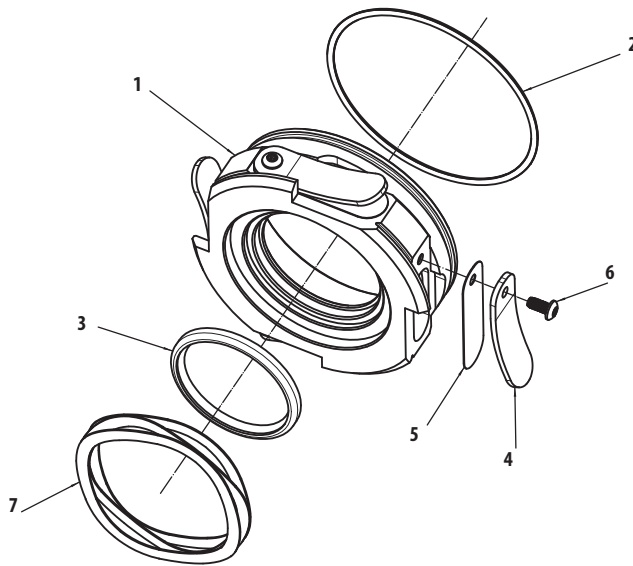
**CARBURETOR REBUILD KITS**  
**SEE PAGE 198**

# CRANKCASE BREATHER REED VALVE REPLACEMENT PARTS

1. Valve, Assembly, Breather Reed  
Engines with Stock Oil Pumps  
1999-'02 bt with stock or S&S Super Stock crankcases  
.....  **31-2070** \$130.95  
2003-'10 bt with stock or S&S Super Stock crankcases  
.....  **310-0742** \$126.95  
S&S SA Crankcases ..... **310-0742** \$126.95  
Engines with S&S gear oil pumps  
2003-up bt w/stock crankcases and all S&S crankcases  
..... **310-0742** \$126.95
2. O-ring  
1999-'02 bt (-038), 2.614" ID x 2.750" OD, Viton® ... **50-8154-S** \$3.95  
2003-up bt (-036), 2.364" ID x 2.500" OD, Viton® .... **50-8155-S** \$2.95
3. Seal, Breather Reed Valve, 1999-up bt ..... **31-4086** \$16.95
4. Stop, Breather Reed Valve, Packaged, 1984-up bt ..... **31-2075** \$11.95
5. Reed, Breather Valve, bt (each) ..... **31-2072-S** \$2.95
6. Screw, Torx BH, 4-40 x 1/4", Black, Alloy Steel (each) ..... **50-0305-S** \$0.95
7. Wave Spring, 2" OD X 1.6" ID X .375" ..... **50-8404** \$8.95
8. Spring Adaptor (for S&S SA Crankcases) (N/S) ..... **31-2103\*** \$24.95

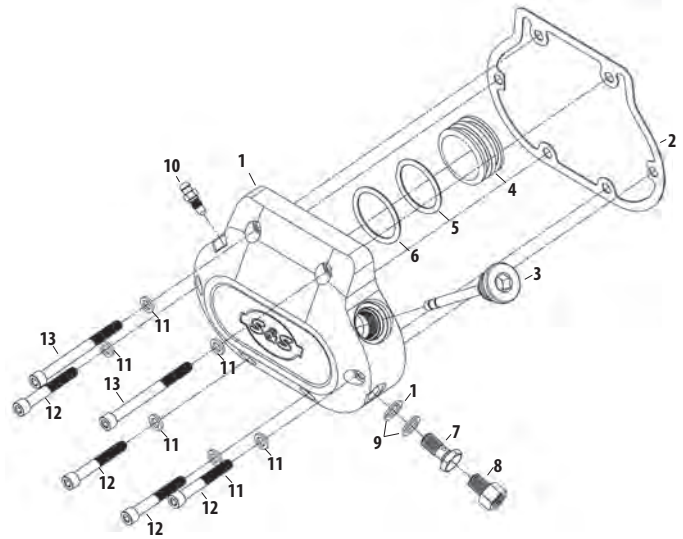
\*Required to accommodate the extra .375" case width of S&S Special Application big bore crankcases.

(N/S) = Not Shown



# CHROME PLATED BILLET TRANSMISSION SIDE COVER REPLACEMENT PARTS

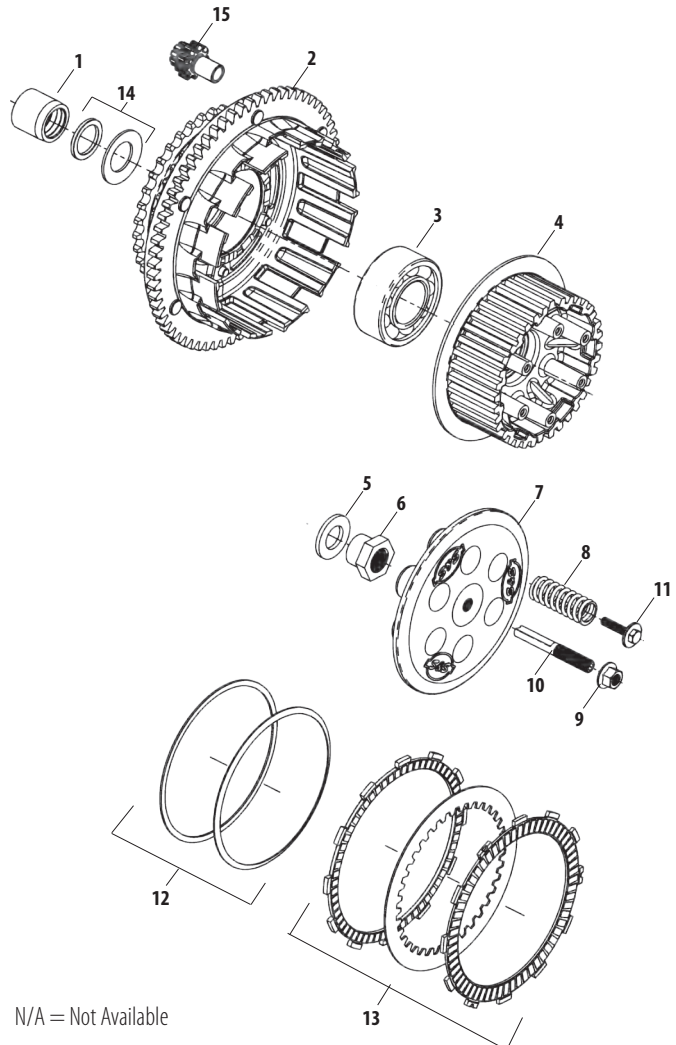
- |   |                             |
|---|-----------------------------|
| 1. Hydraulic Clutch Side Cover (Chrome Billet).....   | N/A                         |
| Cable Actuated (Chrome Billet).....                   | N/A                         |
| 2. Gasket Side Cover (each).....                      | N/A                         |
| 3. Dipstick Assembly.....                             | N/A                         |
| 4. Piston, Hydraulic Clutch (Billet).....             | N/A                         |
| 5. O-ring, 1 ¼ ID x ½ CS, Buna-N 70 (each).....       | N/A                         |
| 6. O-ring, 1 ¼ ID x ½ CS, Viton.....                  | N/A                         |
| 7. Banjo Bolt ¾-24 x ¾.....                           | N/A                         |
| 8. Adapter, Hydraulic Clutch Line.....                | N/A                         |
| 9. Crush Washer, Copper .400 ID x .590 OD x .050..... | N/A                         |
| 10. Valve, Bleed Fitting, ¼-28.....                   | N/A                         |
| 11. Washer, Flat .260 x .420 x .06 Chrome.....        | 50-7017 <sup>±</sup> \$2.95 |
| 12 pack.....  | 50-7013 <sup>±</sup> \$7.95 |
| 12. Screw, Cap Hex SH ¼-20 UNC x 1.75 Zinc.....       | N/A                         |
| 13. Screw, Cap Hex SH ¼-20 UNC x 2.75 Zinc.....       | N/A                         |



<sup>±</sup> ⚠️ WARNING: Cancer and Reproductive Harm – www.P65Warnings.ca.gov

# HIGH PERFORMANCE CLUTCH REPLACEMENT PARTS

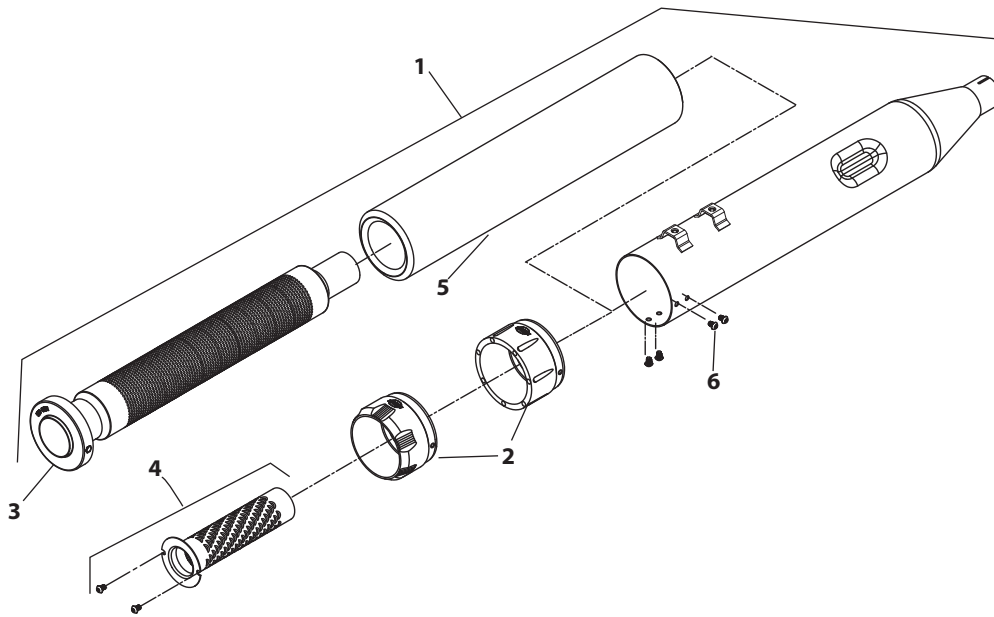
- |  |                    |
|--|--------------------|
| 1. Race, inner primary bearing, 5/6 speed main shaft<br>All 1991-'05 BT and 2006 Harley-Davidson® Softail® models<br>..... | 56-5089 \$61.95    |
| 2. Basket,<br>Clutch, 36-tooth.....  | N/A                |
| Clutch, 37-tooth.....  | N/A                |
| 3. Bearing, clutch (basket to hub).....  | N/A                |
| 4. Hub, clutch.....  | N/A                |
| 5. Washer, thrust, 19.5 mm I.D. x 35.6 mm O.D.....   | N/A                |
| 6. Nut, mainshaft, clutch hub, ¾-18 UNS-2B.....  | N/A                |
| (Recommended early style mainshaft nut HD® #37496-84)  |                    |
| (Recommended late style mainshaft nut HD® #37496-90)   |                    |
| 7. Plate, pressure - clutch<br>Mechanical (3-piece pushrod actuated).....  | N/A                |
| 8. Spring, pressure plate, clutch<br>Light duty, 334 lbs. (6 pack).....  | N/A                |
| Standard, 370 lbs.....   | N/A                |
| Heavy duty, 408 lbs. (each).....   | 56-5106-S \$25.95  |
| 9. Nut, flange, M10 x 1.25".....   | N/A                |
| 10. Screw, clutch adjuster, M10 x 1.25".....   | N/A                |
| 11. Bolt, special, M6 x 30, w/washer.....  | 50-8413-S \$5.70   |
| 12. Jutter spring with seat.....   | N/A                |
| 13. Clutch pack, 11 frictions, 10 steels.....  | 56-5085-S \$299.95 |
| 14. Kit, shim, clutch inner race.....  | 56-5090 \$32.95    |
| Shim, ⅝ speed main shaft   |                    |
| 1.300" O.D. x .960" I.D. x .0075" (36 gauge) thick.....  | N/A                |
| 1.300" O.D. x .960" I.D. x .0150" (28 gauge) thick.....  | N/A                |
| 1.300" O.D. x .960" I.D. x .0240" (24 gauge) thick.....  | N/A                |
| 1.300" O.D. x .960" I.D. x .0470" (18 gauge) thick.....  | N/A                |
| <b>OPTIONAL:</b>   |                    |
| 15. Pinion Gear.....   | N/A                |



N/A = Not Available

# Mk45 4.5" MUFFLER REPLACEMENT PARTS

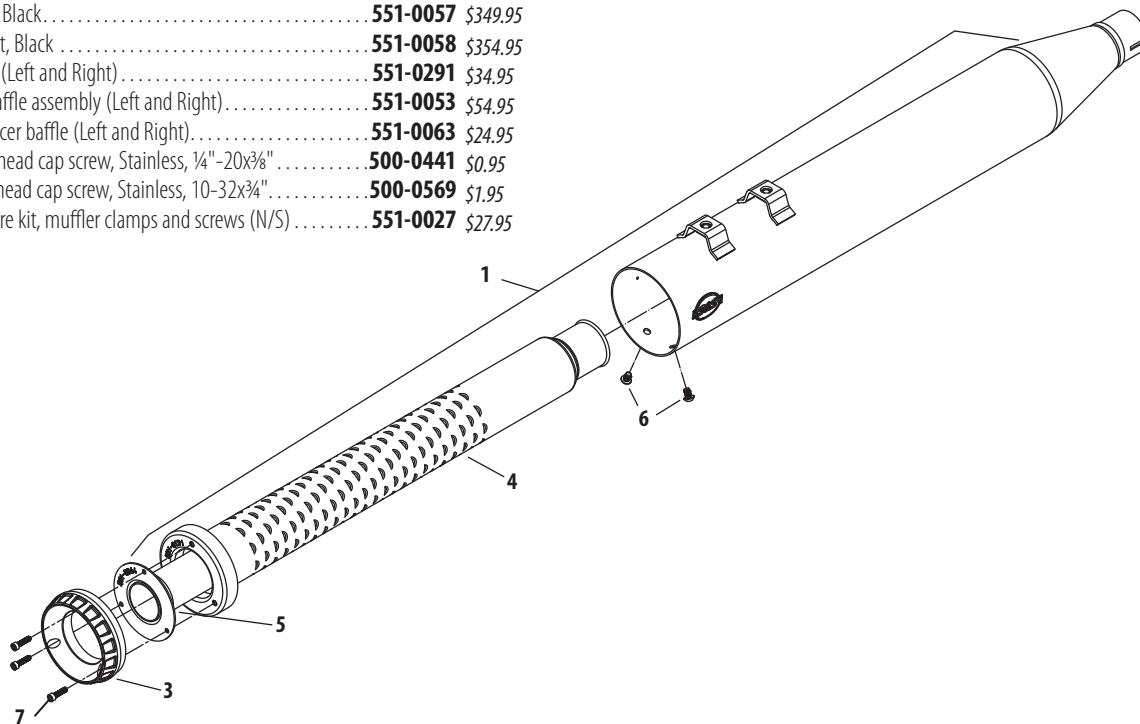
1. 4.5" Muffler Assembly
  - Left, Chrome ..... **551-0020**± \$289.95
  - Right, Chrome ..... **551-0021**± \$289.95
  - Left, Black ..... **551-0022** \$354.95
  - Right, Black ..... **551-0023** \$359.95
2. Endcap
  - Thruster, Chrome ..... **550-0634A**± \$174.95
  - Thruster, Highlighted Machined ..... **550-0629A** \$159.95
  - Tracer, Chrome ..... **550-0636A**± \$174.95
  - Tracer, Highlighted Machined ..... **550-0632A** \$159.95
3. Main Baffle Assembly, 4.5" Muffler ..... **551-0007** \$71.95
4. dB reducer ..... **551-0026** \$23.95
5. Insulation, 4.5" Muffler ..... **551-0003** \$25.95
6. Button Head Cap Screw, Stainless, ¼"-20X¾" ..... **500-0441** \$0.95
7. Hardware Kit, Muffler Clamps And Screws (N/S) ..... **551-0027** \$27.95



±  WARNING: Cancer and Reproductive Harm – [www.P65Warnings.ca.gov](http://www.P65Warnings.ca.gov)

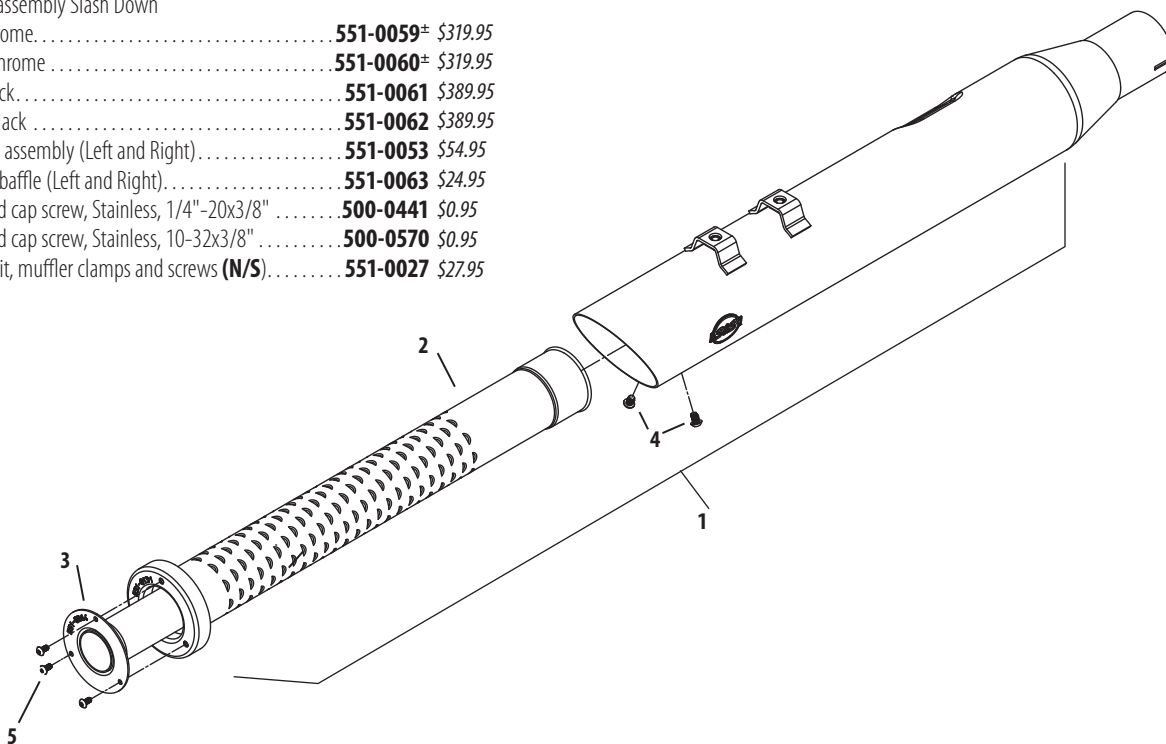
# GRAND NATIONAL® 4" REPLACEMENT PARTS

- 1. 4" Muffler assembly with Grand National Endcap
  - Left, Chrome..... **551-0055±** \$289.95
  - Right, Chrome..... **551-0056±** \$289.95
  - Left, Black..... **551-0057** \$349.95
  - Right, Black..... **551-0058** \$354.95
- 3. Endcap (Left and Right)..... **551-0291** \$34.95
- 4. Main baffle assembly (Left and Right)..... **551-0053** \$54.95
- 5. dB reducer baffle (Left and Right)..... **551-0063** \$24.95
- 6. Button head cap screw, Stainless, 1/4"-20x3/8"..... **500-0441** \$0.95
- 7. Socket head cap screw, Stainless, 10-32x3/4"..... **500-0569** \$1.95
- 9. Hardware kit, muffler clamps and screws (N/S)..... **551-0027** \$27.95



# SLASH CUT 4" REPLACEMENT PARTS

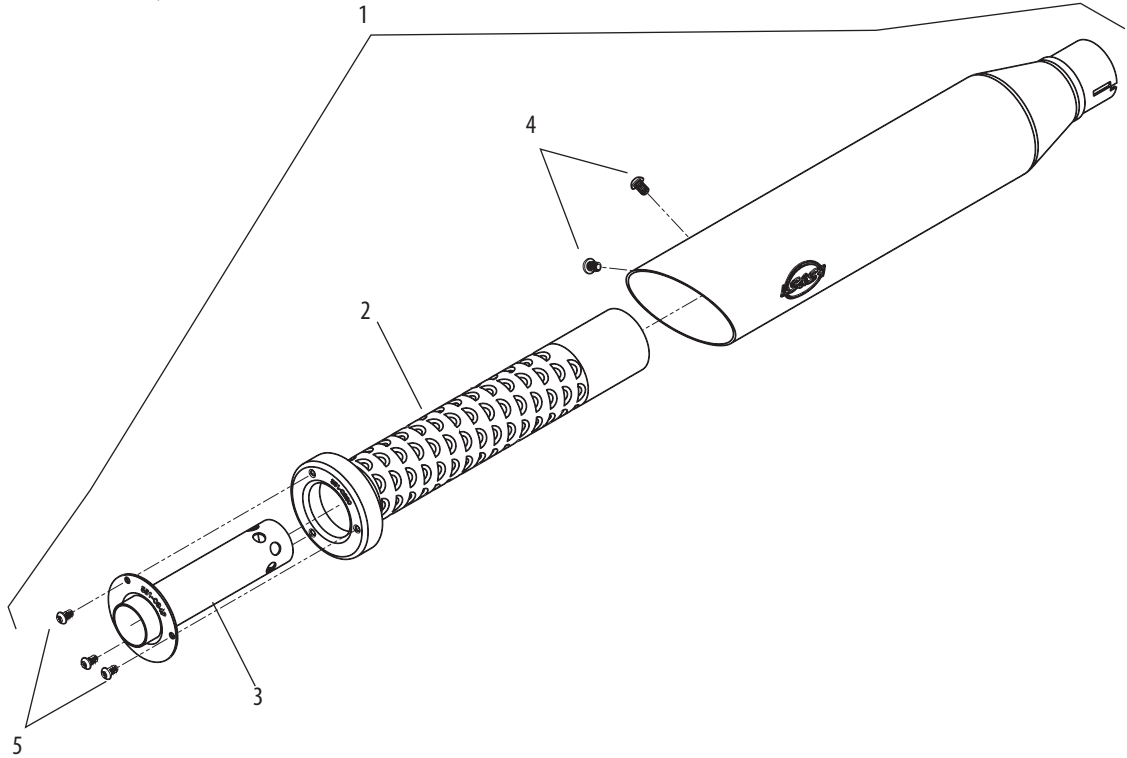
- 1. 4" Muffler assembly Slash Down
  - Left, Chrome..... **551-0059±** \$319.95
  - Right, Chrome..... **551-0060±** \$319.95
  - Left, Black..... **551-0061** \$389.95
  - Right, Black..... **551-0062** \$389.95
- 2. Main baffle assembly (Left and Right)..... **551-0053** \$54.95
- 3. dB reducer baffle (Left and Right)..... **551-0063** \$24.95
- 4. Button head cap screw, Stainless, 1/4"-20x3/8"..... **500-0441** \$0.95
- 5. Button head cap screw, Stainless, 10-32x3/8"..... **500-0570** \$0.95
- 6. Hardware kit, muffler clamps and screws (N/S)..... **551-0027** \$27.95



# SLASH CUT SLIP-ON MUFFLERS FOR DYNA® MODELS

## REPLACEMENT PARTS

- 1. Slash Cut Muffler Assembly, Front or Rear
  - Chrome ..... **551-0308**± \$224.95
  - Black ..... **551-0311** \$219.95
- 2. Main Baffle Assembly ..... **551-0301** \$36.95
- 3. dB Reducer ..... **551-0350** \$23.95
- 4. Button head cap screw, Stainless, ¼"–20x3/8"1  
(Hold Main baffle assy to muffler shell) ..... **500-0441** \$0.95
- 5. Socket head cap screw, Stainless, 10–32x3/8"  
(Hold db killer baffle to main baffle assy) ..... **500-0570** \$0.95



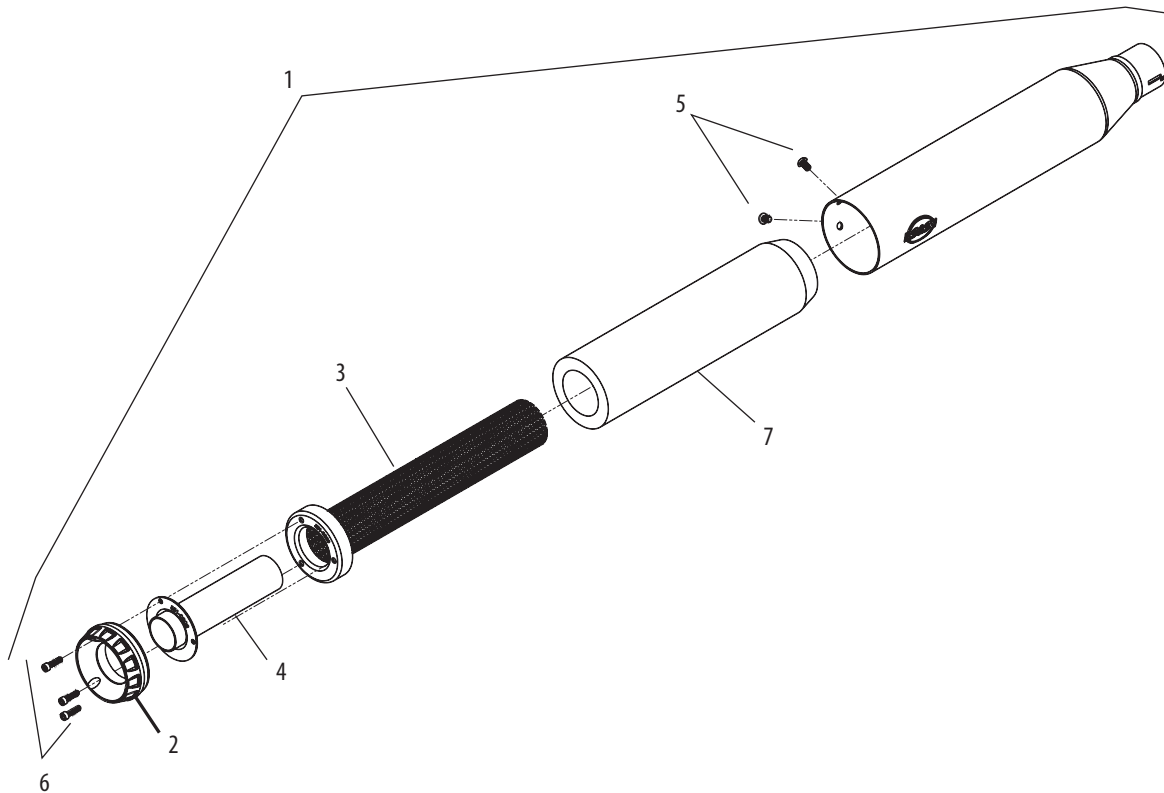
±  WARNING: Cancer and Reproductive Harm – [www.P65Warnings.ca.gov](http://www.P65Warnings.ca.gov)



# GRAND NATIONAL® SLIP-ON MUFFLERS FOR DYNA® MODELS

## REPLACEMENT PARTS

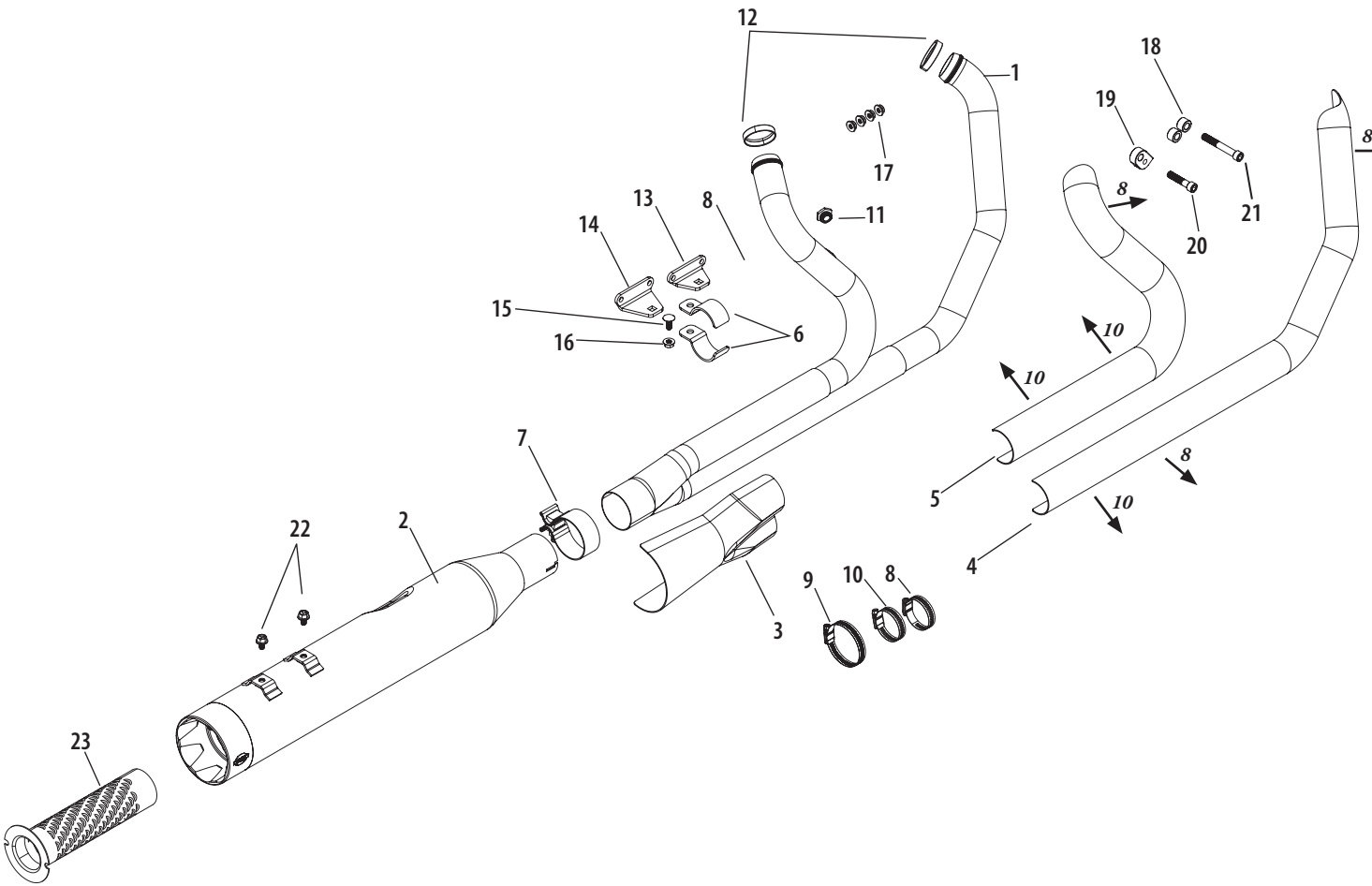
1. Muffler Assembly Front or Rear  
 Grand National, Chrome ..... **551-0314** \$319.95  
 Grand National, Black ..... **551-0317** \$319.95
2. Endcap ..... **551-0294** \$68.95
3. Main Baffle Assembly ..... **551-0299** \$41.95
4. dB Reducer ..... **551-0304** \$23.95
5. Button head cap screw, Stainless, 1/4"-20x3/8"  
 (Hold Main baffle assy to muffler shell) ..... **500-0441** \$0.95
6. Socket head cap screw, Stainless, 10-32x3/4"  
 (Hold Endcap to main baffle assy) ..... **500-0569** \$1.95
7. Insulation, Muffler, Pillow Pack ..... **551-0305** \$19.95



# SIDEWINDER® 2:1 EXHAUST REPLACEMENT PARTS

1. Header, Assembly, 2 into 1, Sidewinder®, Weldment, 1995-'16 Touring Modelss	<b>551-0705</b>	\$289.95
2. Muffler, 50 state Chrome	<b>551-0529A</b> ±	\$849.95
Black	<b>551-0530A</b>	\$849.95
3. Collector, heat shield, Chrome	<b>551-0379</b> ±	\$110.95
Black	<b>551-0381</b>	\$109.95
4. Heat shield, front, 2:1, Sidewinder®, chrome, 1995-'16 touring models Chrome	<b>551-0709</b> ±	\$204.95
Black	<b>551-0715</b>	\$249.95
5. Heat shield, rear, 2:1, Sidewinder®, chrome, 1995-2016 touring models Chrome	<b>551-0712</b> ±	\$149.95
Black	<b>551-0717</b>	\$179.95
6. Clamp, header mount, 2:1, chrome plate, mild steel, 11 gauge, M8 2017 touring	<b>551-0361</b>	\$6.95
7. Clamp, muffler, band style, 2.5"	<b>551-0135</b>	\$11.95
8. Clamp, hose, worm drive, SAE #20 (qty. 3)	<b>551-0527</b>	\$1.95
9. Clamp, hose, worm drive, SAE #40	<b>551-0402</b>	\$2.95
10. Clamp, hose, worm drive, SAE #24 (qty. 3)	<b>500-0791</b>	\$1.95
11. Adapter, oxygen sensor, 12mm to 18mm, stainless steel	<b>550-0375</b>	\$10.95
12. Gasket, exhaust, tapered, stainless steel, 1984-up bt, 1986-up xl 65324-83B, 65324-83A	<b>106-5029</b>	\$4.95
13. Bracket, header mount, 2:1, powdercoated, black, 2007-'16 touring models	<b>551-0719</b>	\$14.95
14. Bracket, header mount, 2:1, powdercoated, black, 1995-'06 touring	<b>551-0786</b>	\$14.95
15. Bolt, carriage, 5/16-18 x 3/4"	<b>500-0555</b>	\$0.95
16. Nut, HSFH, 5/16-18 unc-2b x .283", Zinc, steel	<b>50-5053-S</b>	\$0.95
17. Nut, HSFH, 5/16-24 unf-2b x .283", Zinc, steel 7593	<b>50-5025-S</b>	\$0.95
18. Washer, spacer, floor board	<b>551-0400</b>	Call For Pricing
19. Spacer, floor board, powdercoated, black	<b>551-0399</b>	\$36.95
20. Screw, shc, 3/8-16 x 1-3/4", zinc, steel	<b>500-0789</b>	\$1.95
21. Screw, shc, 3/8-16 x 2-3/4", zinc, steel	<b>500-0790</b>	\$1.95
22. Screw, hh, flg, serrated, 5/16-18 x 1/2"	<b>500-0744</b>	\$0.95
23. dB reducer	<b>551-0026</b>	\$23.95

±  WARNING: Cancer and Reproductive Harm – www.P65Warnings.ca.gov



# POWER TUNE® DUAL HEADER REPLACEMENTS

## POWER TUNE® DUAL HEADERS

Fitment	Finish	Part #	MSRP
1995–'08* big twins	Chrome	<b>550-0003A</b>	\$549.95
	Black	<b>550-0142A</b>	\$649.95



\*Has 18mm sensor fittings in the stock locations for 2007–'08 bikes. If not equipped with oxygen sensors, the ports can be used for tuning. Plugs are included if ports are not used.

DISCLAIMER: NOT LEGAL FOR SALE OR USE IN CALIFORNIA ON ANY POLLUTION CONTROLLED MOTOR VEHICLE. Not legal for sale or use on EPA pollution controlled vehicles originally equipped with catalyst.

\*Qualified manufacturer declared emissions replacement part on FL touring models listed below.

California Models: FL Touring Fuel Injected MY 1995–2003, and 2007; CVO FL Touring MY 2000–2003

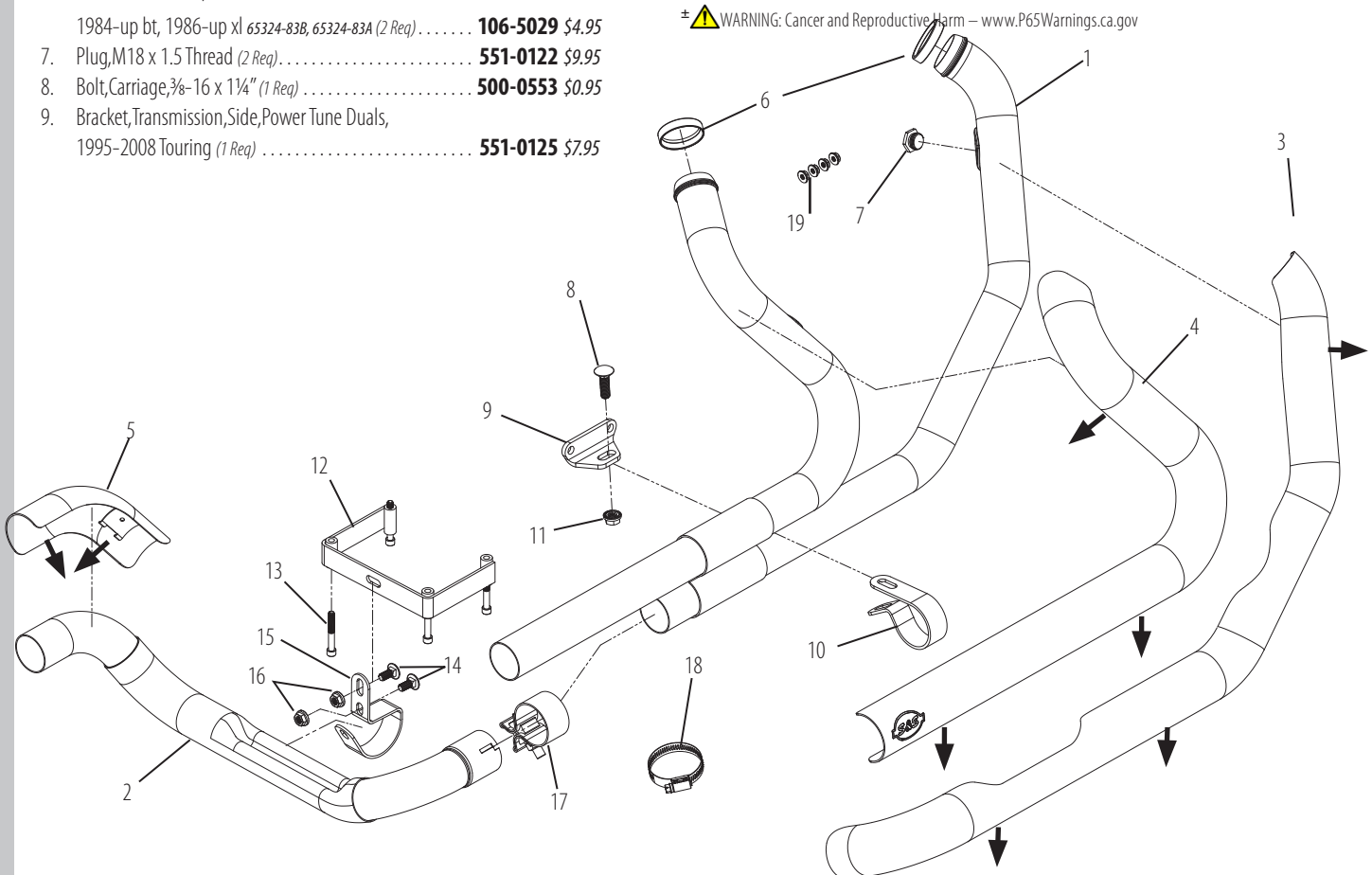
49 State Models: FL Touring Carbureted MY 1995–2005; FL Touring Fuel Injected MY 1995–2005 and 2007–2008; CVO FL Touring MY 2000–2005

⚠️ WARNING: Cancer and Reproductive Harm – www.P65Warnings.ca.gov

# POWER TUNE® DUAL HEADER REPLACEMENT PARTS

- Pipe, Header, Power Tune Dual, Weldment, 1999–2008 Touring (1 Req) ..... **551-0083** \$249.95
- Tube, Crossover, Power Tune Dual, Weldment, 1995–2008 Touring (1 Req) ..... **551-0077** \$79.95
- Shield, Front, Power Tune Dual, 1995–2008 Touring (1 Req)
  - Chrome ..... **551-0091**‡ \$209.95
  - Black ..... **551-0092** \$259.95
- Shield, Rear, Power Tune Dual, 1995–2016 Touring (1 Req)
  - Chrome ..... **551-0103**‡ \$179.95
  - Black ..... **551-0104** \$224.95
- Shield, Left, Power Tune Dual, 1995–2016 Touring (1 Req)
  - Chrome ..... **551-0115**‡ \$49.95
  - Black ..... **551-0116** \$58.95
- Gasket, Exhaust, Tapered, Stainless Steel, 1984–up bt, 1986–up xl 65324-83B, 65324-83A (2 Req) ..... **106-5029** \$4.95
- Plug, M18 x 1.5 Thread (2 Req) ..... **551-0122** \$9.95
- Bolt, Carriage, 3/8–16 x 1 1/4" (1 Req) ..... **500-0553** \$0.95
- Bracket, Transmission, Side, Power Tune Duals, 1995–2008 Touring (1 Req) ..... **551-0125** \$7.95
- Clamp, P-Style, Power Tune Dual, Side, 1995–2016 Touring (1 Req) ..... **551-0119** \$9.95
- Nut, Flanged, Serrated, 3/8–16 (1 Req) ..... **500-0554** \$0.95
- Bracket, Assembly, Transmission, Pan, Power Tune Dual, 1995–2008 Touring (1 Req) ..... **551-0126** \$39.95
- Screw, SHC, 1/4–20 x 1 7/8", Zinc Plated (4 Req) ..... **500-0641** \$0.95
- Bolt, Carriage, 5/16–18 x 3/4" (2 Req) ..... **500-0555** \$0.95
- Clamp, P-Style, Crossover, Power Tune Dual Header, 1995–2008 Touring (1 Req) ..... **551-0120** \$9.95
- Nut, Flanged, Serrated, 5/16–18 (2 Req) ..... **50-5053-S** \$0.95
- Clamp, Muffler, Band Style (1 Req) ..... **551-0569** \$12.95
- Clamp, Hose, Worm Drive, SAE #28 (8 Req) ..... **551-0527** \$1.95
- Nut, HSFH, 5/16–24 7593 ..... **50-5025-S** \$0.95

‡ ⚠️ WARNING: Cancer and Reproductive Harm – www.P65Warnings.ca.gov



NOTE: Install #18 heat shield clamps with screw heads pointing in direction shown by arrows. ➔

# SPORTSTER® & BUELL®

Harley-Davidson

## **Performance Kits**

883 to 1200cc Conversion Kit .....	257
1250cc Conversion Kit.....	256
Hooligan .....	254
Performance Kit Overview .....	253
Sidewinder Big Bore Kit.....	258

## **Performance Engine**

SB100 Engines.....	259
--------------------	-----

## **Performance Parts**

Air Cleaners.....	246
Camshafts.....	266
Carburetors.....	280
Crankcases .....	260
Cylinders & Pistons .....	262
Cylinder Heads.....	275
Electronics.....	286
Flywheels.....	261
Gaskets .....	287
Gearcover .....	262
Manifolds.....	285
Pushrods .....	270
Rocker Arms.....	274
Rocker Covers .....	279
Tappets .....	267
Valve Springs.....	273

## **Replacement Parts.....289**





# STEALTH TEARDROP AIR CLEANER KITS



## FEATURES AND BENEFITS

- Iconic look
- Same size as the original
- Traditional dimpled cover with S&S stinger on the inside creates smooth path for air
- Gloss black or chrome
- Well-known S&S Cycle Stealth kit for great performance and easy install
- Backplate has air horn style radiused inlet to reduce turbulence
- Slasher style available as cover

### STEALTH TEARDROP AIR CLEANER KITS FOR 2007–'18

Description	Part #	MSRP
Chrome Stealth Teardrop plus Stealth Kit (170-0302C)	<b>170-0526</b>	\$304.95
Gloss Black Stealth Teardrop plus Stealth Kit (170-0302C)	<b>170-0527</b>	\$304.95

Exempt from emissions tampering regulations under CARB EO# D-355-24

⚠️ WARNING: Cancer and Reproductive Harm – [www.P65Warnings.ca.gov](http://www.P65Warnings.ca.gov)

### STEALTH TEARDROP COVER ONLY

Chrome	<b>170-0530</b>	\$167.95
Gloss Black	<b>170-0531</b>	\$167.95
Slasher – Chrome	<b>170-0532</b>	\$177.95
Slasher – Gloss Black	<b>170-0533</b>	\$177.95

# STEALTH AIR CLEANER KITS

## FITMENT

- 1991–2006 Harley-Davidson® Sportster® models

## FEATURES AND BENEFITS

- Pre-filter available — See page 252
- Air directional stinger cone in the filter
- Use with any of several S&S designed covers
- High flow (1" taller) filter kit available — See page 252



### MINI TEARDROP COVER PLUS STEALTH AIR CLEANER KIT

Fitment	Fuel System	Finish	Part #	MSRP
1991–2003 xl	S&S Super E/G,	Chrome	<b>170-0447</b> ±	\$304.95
		Gloss Black	<b>170-0448</b>	\$304.95
1991–2006 xl	Stock CV Carb	Chrome	<b>170-0449</b> ±	\$304.95
		Gloss Black	<b>170-0450</b>	\$304.95

DISCLAIMER: NOT LEGAL FOR SALE OR USE IN CALIFORNIA ON ANY POLLUTION CONTROLLED MOTOR VEHICLE. Not legal for sale or use on any EPA pollution controlled motor vehicle.  
 ± ⚠️ WARNING: Cancer and Reproductive Harm – www.P65Warnings.ca.gov



### AIRSTREAM COVER IN CHROME PLUS STEALTH AIR CLEANER KIT±

Application	Fuel System	Part #	MSRP
1991–'06 xl	Stock CV/EFI	<b>170-0053</b>	\$304.95
1991–'03 xl	S&S Super E & G Carbs	<b>170-0114</b>	\$304.95

DISCLAIMER: NOT LEGAL FOR SALE OR USE IN CALIFORNIA ON ANY POLLUTION CONTROLLED MOTOR VEHICLE. Not legal for sale or use on any EPA pollution controlled motor vehicle.  
 ± ⚠️ WARNING: Cancer and Reproductive Harm – www.P65Warnings.ca.gov



### BOBBER-DISHED COVER IN CHROME PLUS STEALTH AIR CLEANER KIT±

Application	Fuel System	Part #	MSRP
1991–'06 xl	Stock CV/EFI	<b>170-0094</b>	\$272.95
1991–'03 xl	S&S Super E & G Carbs	<b>170-0115</b>	\$272.95

DISCLAIMER: NOT LEGAL FOR SALE OR USE IN CALIFORNIA ON ANY POLLUTION CONTROLLED MOTOR VEHICLE. Not legal for sale or use on any EPA pollution controlled motor vehicle.  
 ± ⚠️ WARNING: Cancer and Reproductive Harm – www.P65Warnings.ca.gov



### BOBBER-DOMED COVER IN CHROME PLUS STEALTH AIR CLEANER KIT±

Application	Fuel System	Part #	MSRP
1991–'06 xl	Stock CV/EFI	<b>170-0095</b>	\$272.95
1991–'03 xl	S&S Super E & G Carbs	<b>170-0116</b>	\$272.95

DISCLAIMER: NOT LEGAL FOR SALE OR USE IN CALIFORNIA ON ANY POLLUTION CONTROLLED MOTOR VEHICLE. Not legal for sale or use on any EPA pollution controlled motor vehicle.  
 ± ⚠️ WARNING: Cancer and Reproductive Harm – www.P65Warnings.ca.gov



### MUSCLE COVER IN CHROME PLUS STEALTH AIR CLEANER KIT±

Application	Fuel System	Part #	MSRP
1991–'06 xl	Stock CV/EFI	<b>170-0096</b>	\$314.95
1991–'03 xl	S&S Super E & G Carbs	<b>170-0117</b>	\$314.95

DISCLAIMER: NOT LEGAL FOR SALE OR USE IN CALIFORNIA ON ANY POLLUTION CONTROLLED MOTOR VEHICLE. Not legal for sale or use on any EPA pollution controlled motor vehicle.  
 ± ⚠️ WARNING: Cancer and Reproductive Harm – www.P65Warnings.ca.gov



### STEALTH AIR CLEANER KITS\* — NO COVER

Application	Fuel System	Part #	MSRP
1991–'06 xl	Stock CV	<b>170-0093</b>	\$157.95
1991–'03 xl	S&S Super E & G Carbs	<b>170-0113</b>	\$157.95

\*These kits do not contain covers—Use an S&S cover, see page 249 r.

DISCLAIMER: NOT LEGAL FOR SALE OR USE IN CALIFORNIA ON ANY POLLUTION CONTROLLED MOTOR VEHICLE. Not legal for sale or use on any EPA pollution controlled motor vehicle.

**CON'T NEXT PAGE**

Order 608-627-1497

Millwaukee  
Eight  
Twin Cam  
96"/103"/110"  
1999-2006  
Twin Cam 88"  
1986-2019  
Sportster® & Buell®  
2014-2019  
Street &  
Street Rod™  
1984-1999  
Evolution®  
1926-1984  
Vintage Engines  
Indian® &  
Victory® Models  
Tools  
& Shop Supplies  
Apparel  
Warranty &  
Company Policy  
Appendix  
& Index

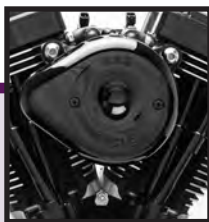
# CON'T STEALTH AIR CLEANER KITS



## NOTES

Fuel injection tuning is not required with this product.

**REPLACEMENT PARTS: SEE PAGE 295**

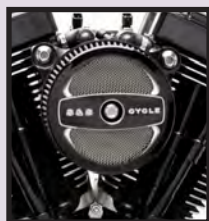


### MINI TEARDROP COVER PLUS STEALTH AIR CLEANER KIT

Kit includes Stealth Air Cleaner 170-0302C which is exempt from emissions tampering regulations under CARB EO# D-355-24.

Application	Fuel System	Finish	Part #	MSRP
2007-'19 xl	Stock Bore Throttle Body	Chrome	<b>170-0439A</b> ±	\$304.95
		Gloss Black	<b>170-0440A</b>	\$304.95

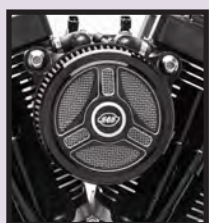
± WARNING: Cancer and Reproductive Harm – www.P65Warnings.ca.gov



### AIR 1 COVER PLUS STEALTH AIR CLEANER KIT

Kit includes Stealth Air Cleaner 170-0302C which is exempt from emissions tampering regulations under CARB EO# D-355-24.

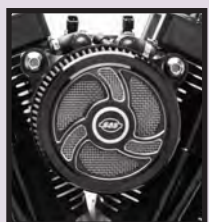
Application	Fuel System	Part #	MSRP
2007-'19 xl	Stock EFI	<b>170-0492A</b>	\$304.95



### TRI-SPOKE COVER PLUS STEALTH AIR CLEANER KIT

Kit includes Stealth Air Cleaner 170-0302C which is exempt from emissions tampering regulations under CARB EO# D-355-24.

Application	Fuel System	Part #	MSRP
2007-'19 xl	Stock EFI	<b>170-0490A</b>	\$304.95



### TORKER COVER PLUS STEALTH AIR CLEANER KIT

Kit includes Stealth Air Cleaner 170-0302C which is exempt from emissions tampering regulations under CARB EO# D-355-24.

Application	Fuel System	Part #	MSRP
2007-'19 xl	Stock EFI	<b>170-0491A</b>	\$304.95



### AIRSTREAM COVER PLUS STEALTH AIR CLEANER KIT

Kit includes Stealth Air Cleaner 170-0302C which is exempt from emissions tampering regulations under CARB EO# D-355-24.

Application	Fuel System	Finish	Part #	MSRP
2007-'19 xl	Stock EFI	Chrome	<b>170-0493A</b> ±	\$304.95
		Gloss Black	<b>170-0494A</b>	\$304.95

± WARNING: Cancer and Reproductive Harm – www.P65Warnings.ca.gov



### MUSCLE COVER PLUS STEALTH AIR CLEANER KIT

Kit includes Stealth Air Cleaner 170-0302C which is exempt from emissions tampering regulations under CARB EO# D-355-24.

Application	Fuel System	Finish	Part #	MSRP
2007-'19 xl	Stock EFI	Chrome	<b>170-0495A</b> ±	\$314.95
		Gloss Black	<b>170-0496A</b>	\$314.95

± WARNING: Cancer and Reproductive Harm – www.P65Warnings.ca.gov



### STEALTH AIR CLEANER KITS\*

Exempt from emissions tampering regulations under CARB EO# D-355-24

Application	Fuel System	Part #	MSRP
2007-'19 xl	Stock EFI	<b>170-0302C</b>	\$157.95

\*These kits do not contain covers – Use an S&S cover, see page 249.



# EC STEALTH AIR CLEANER KITS



- 883 Harley-Davidson Sportster® Models with EFI up to 2017 (e9 11003G)
- 1200 Harley-Davidson Sportster Models with EFI up to 2017 (e9 11002G)



## EC STEALTH AC KITS

EFI XL 883 up to 2017	<b>170-0329</b>	\$214.95
EFI XL 1200 up to 2017	<b>170-0330</b>	\$214.95

# STEALTH AIR CLEANER KIT COVERS

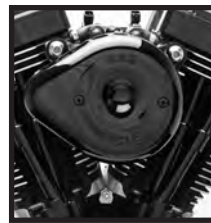
NEW STEALTH TEARDROP COVERS SEE PAGE 246



Carbon Fiber



Mini in Chrome



Mini in Gloss Black



Tri-Spoke



Torker



Air 1



Airstream in Chrome



Airstream in Gloss Black



Muscle in Chrome



Muscle in Gloss Black



Bobber-dished



111



124



143

## STEALTH COVERS

Carbon Fiber	Mini		Tri-Spoke	Torker	Air 1	Bobber-Dished	
Black	Chrome	Gloss Black	Gloss Black w/Highlights	Gloss Black w/Highlights	Gloss Black w/Highlights	Chrome	Wrinkle Black
<b>170-0501</b>	<b>170-0367<sup>±</sup></b>	<b>170-0366</b>	<b>170-0210</b>	<b>170-0206</b>	<b>170-0214</b>	<b>170-0119<sup>±</sup></b>	<b>170-0123</b>
\$299.95	\$167.95	\$167.95	\$157.95	\$157.95	\$157.95	\$125.95	\$125.95

Airstream		Muscle		Displacement			Bobber-Domed	
Chrome	Gloss Black	Chrome	Gloss Black with Highlighted Logo	111	124	143	Chrome	Wrinkle Black
<b>170-0118<sup>±</sup></b>	<b>170-0396</b>	<b>170-0121<sup>±</sup></b>	<b>170-0463</b>	<b>170-0319</b>	<b>170-0321</b>	<b>170-0323</b>	<b>170-0120<sup>±</sup></b>	<b>170-0124</b>
\$157.95	\$157.95	\$178.95	\$178.95	\$171.95	\$171.95	\$171.95	\$125.95	\$125.95

<sup>±</sup> ⚠️ WARNING: Cancer and Reproductive Harm – www.P65Warnings.ca.gov

Milwaukee  
Eight  
2007-2017  
Twin Cam  
96"/103"/110"  
1999-2006  
Twin Cam 88"  
1986-2019  
Sportster® & Buell®  
2014-2019  
Street &  
Street Rod™  
1984-1999  
Evolution®  
1926-1984  
Vintage Engines  
Indian® &  
Victory® Models  
Tools  
& Shop Supplies  
Apparel  
Warranty &  
Company Policy  
Appendix  
& Index

# SINGLE BORE TUNED INDUCTION SYSTEM

## FITMENT

- 1991–'16 Harley-Davidson® Sportster® (with stock CV carb or EFI, or S&S carb)

## FEATURES AND BENEFITS

- Bolt-on performance—over twice the filtering area over stock intake system
- Increases horsepower and torque across the rpm range using air column inertia and carefully timed gas dynamic pressure waves
- Smooth intake tract of carefully selected tuned lengths increases performance
- High flow washable and reusable cotton media provides performance, protection, and economy



*Billet adaptor brackets make single bore tuned induction compatible with many engines and motorcycles.*



### SINGLE BORE TUNED INDUCTION SYSTEM KITS<sup>±</sup> EXEMPT FROM EMISSIONS TAMPERING REGULATIONS UNDER CARB EO# D-355-24

Fitment	Fuel System	Finish	Part #	MSRP
2007–'19 xl	Stock EFI	Chrome Runner and Red Filters	<b>170-0311C</b>	\$629.95

<sup>±</sup> ⚠️ WARNING: Cancer and Reproductive Harm – www.P65Warnings.ca.gov

### SINGLE BORE TUNED INDUCTION SYSTEM KITS

Fitment	Fuel Delivery	Finish	Part #	MSRP
1991–'06 XL	Stock CV	Chrome Runner and Red Filters	<b>170-0089<sup>±</sup></b>	\$629.95
<b>CTO</b>	Specify	Specify	<b>106-5337*</b>	Call for Pricing

\*Use the Configure to Order (CTO) part number to order different finish and filter color.

DISCLAIMER: NOT LEGAL FOR SALE OR USE IN CALIFORNIA ON ANY POLLUTION CONTROLLED MOTOR VEHICLE. Not legal for sale or use on any EPA pollution controlled motor vehicle.

<sup>±</sup> ⚠️ WARNING: Cancer and Reproductive Harm – www.P65Warnings.ca.gov

**REPLACEMENT PARTS: SEE PAGE 298**

# CLASSIC TEARDROP AIR CLEANER KIT

## FITMENT

- 1986–'7 Harley-Davidson® Sportster®
- 1994–'02 Buell®

## FEATURES AND BENEFITS

- Uniquely designed back plate has air horn style radiused entryway to reduce turbulence
- Dimpled cover with directional air cone on inside creates smooth path for air
- Great addition to performance exhaust or cams

## KIT CONTENTS

- Teardrop Air Cleaner Cover in Chrome or Gloss Black
- Filter
- Backing plate
- All mounting hardware



REPLACEMENT PARTS STARTING ON PAGE 296

CLASSIC TEARDROP AIR CLEANER KITS FOR SPORTSTER® MODELS			
EXEMPT FROM EMISSIONS TAMPERING REGULATIONS UNDER CARB EO# D-355-24			
Model	Finish	FUEL SYSTEM	
		Stock EFI	MSRP
2007–'19 xl	Chrome	<b>170-0306C±</b>	\$263.95
	Gloss Black	<b>170-0307C</b>	\$277.95



± ⚠️ WARNING: Cancer and Reproductive Harm – www.P65Warnings.ca.gov

## CLASSIC TEARDROP AIR CLEANER KITS FOR SPORTSTER® AND BUELL® MODELS

Model	Finish	FUEL DELIVERY TYPE			
		Stock CV	MSRP	Super E & G	MSRP
2004–2016 xl	Chrome	<b>17-0448±</b>	\$263.95	<b>17-0428±</b>	\$263.95
	Gloss Black	<b>170-0182A</b>	\$277.95	–	–
1991–'06 HD® Carbureted xl	Chrome	<b>17-0448±</b>	\$263.95	<b>17-0404±</b>	\$263.95
	Gloss Black	<b>170-0182A</b>	\$277.95	–	–
1988–'90 xl	Chrome	–	–	<b>17-0399±</b>	\$263.95
1986–'87 xl	Chrome	–	–	<b>17-0399±</b>	\$263.95

DISCLAIMER: NOT LEGAL FOR SALE OR USE IN CALIFORNIA ON ANY POLLUTION CONTROLLED MOTOR VEHICLE. Not legal for sale or use on any EPA pollution controlled motor vehicle.  
 ± ⚠️ WARNING: Cancer and Reproductive Harm – www.P65Warnings.ca.gov

## NOTE

Fuel delivery (carbureted or EFI) may need to be modified to maintain the correct air and fuel mixture



## TEARDROP AIR CLEANER COVERS

Style	Finish	Part #	MSRP
Mini	Chrome	<b>170-0367±</b>	\$167.95
	Gloss Black	<b>170-0366</b>	\$167.95
Classic Teardrop	Chrome	<b>17-0378±</b>	\$158.95
	Gloss Black	<b>170-0384A</b>	\$158.95
Slasher Teardrop	Chrome	<b>17-0004±</b>	\$158.95
	Gloss Black	<b>170-0419</b>	\$157.95
Nostalgic Teardrop	Polished	<b>17-0071</b>	\$183.95

± ⚠️ WARNING: Cancer and Reproductive Harm – www.P65Warnings.ca.gov

# PRE-FILTERS

## FITMENT

- S&S® Stealth Air Filters

## FEATURES AND BENEFITS

- Water resistant
- Prevents large debris from prematurely clogging filter
- Washable Nylon
- Promotes longer filter life
- Reduces the risk of water entering air intake system

## PRE-FILTERS

Application	Part #	MSRP
Standard Stealth Air Filter	<b>170-0193</b>	\$41.95
1" Tall Stealth Air Filter	<b>170-0197</b>	\$41.95



**170-0197**

# HIGH FLOW AIR FILTER KITS

## FITMENT

- S&S Classic Teardrop air cleaners for Super E & G carbs and S&S EFI throttle bodies

## FEATURES AND BENEFITS

- Low restriction filter element comes pre-oiled for true plug and play installation
- 1" wider filtration area provides up to 37% more airflow over standard S&S filters
- Resulting band of exposed filter material imparts a high performance look

## KIT CONTENTS

- Wide filter
- Filter spacers



**170-0127**



**17-0045**

## HIGH FLOW AIR FILTERS

Description	Fitment	Part #	MSRP
High Flow Air Filter Kit (includes spacers)	Classic Teardrop	<b>17-0045</b>	\$58.95
	Stealth, 1" Taller	<b>170-0127*</b>	\$71.95
1" Taller Filter Only	Classic Teardrop	<b>106-4724</b>	\$25.95
	Stealth	<b>170-0154</b>	\$46.95
Spacer	Classic Teardrop & Stealth, 1" Taller	<b>50-5009-S</b>	\$13.95

\*DISCLAIMER: NOT LEGAL FOR SALE OR USE IN CALIFORNIA ON ANY POLLUTION CONTROLLED MOTOR VEHICLE. Not legal for sale or use on any EPA pollution controlled motor vehicle.

# STANDARD REPLACEMENT FILTERS

## STANDARD REPLACEMENT AIR FILTERS

Description	Fitment	Part #	MSRP
Standard Filter Only	Classic Teardrop	<b>106-4722</b>	\$23.95
	Stealth	<b>170-0126</b>	\$42.95

# PERFORMANCE KIT OVERVIEW

## FOR HARLEY-DAVIDSON® SPORTSTER® & BUELL® MODELS



### 1250CC CONVERSION KIT

This is the largest big bore kit S&S offers for Harley-Davidson® Sportster® models, that can be bolted directly to stock crankcases. Quick and easy to install. Fast on the strip. Over 90 hp typical with S&S exhaust, cams, and CNC ported heads — Using the stock fuel system! (See page 256)



### 883 TO 1200CC CONVERSION KIT

Boost any 883cc Harley-Davidson® Sportster® to 1200cc. No machine shop? No problem, no machining is needed. Don't want to rebalance your stock 883cc flywheels? You don't need to since these pistons weigh the same as stock 883 pistons. Cylinder head modification is also not needed. The dished piston dome keeps compression down to a streetable 9.4:1 with stock 883cc heads. Installing this kit takes the same time as replacing a stock top end. It's just more fun when you're done. (See page 257)



### HOOLIGAN KIT

Whether you're racing Hooligan flat-track or just want more power, the S&S Hooligan kits for 2000-'16 Harley-Davidson® Sportster® models will give you an edge on the competition. Boost that 883 to 1200cc. Already running a 1200? Bring it up to 1250cc. Bolt on big bore kits mean easy installation with no machining and no rebalancing. S&S bolt-in cams and premium tappets make the most of the added displacement. (See page 254)

# HOOLOGAN KITS

## FOR 2000–2019 HARLEY-DAVIDSON® SPORTSTER® MODELS

### FITMENT

- 2000–'19 Harley-Davidson® Sportster® models

### FEATURES & BENEFITS

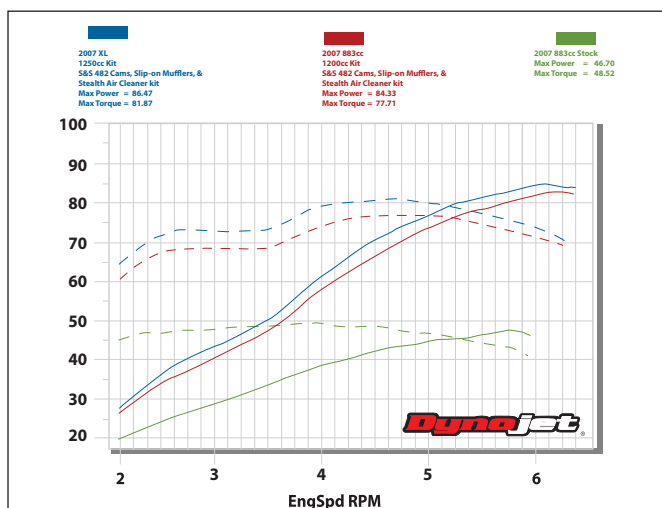
- Easy installation—Bolt-on parts—no machining, no rebalancing
- S&S 482 Cams
- Increase 883cc engines to 1200cc
- Increase 1200cc engines to 1250cc
- Use stock heads, pushrods, and fuel system\*
- Available in wrinkle black or silver powder coat that matches stock finish

\*For maximum performance gains use with S&S Stealth air cleaner and S&S Slip-on mufflers.

### HOOLOGAN KITS

Kit	Finish	Part #	MSRP
883cc to 1200cc	WBlack	<b>910-0699</b>	\$1,399.95
883cc to 1200cc	Silver	<b>910-0700</b>	\$1,399.95
1200cc to 1250cc	WBlack	<b>910-0701</b>	\$1,399.95
1200cc to 1250cc	Silver	<b>910-0702</b>	\$1,399.95

DISCLAIMER: FOR CLOSED COURSE COMPETITION USE ONLY. NOT INTENDED FOR STREET USE. LEGAL IN CALIFORNIA ONLY FOR RACING VEHICLES WHICH MAY NEVER BE USED, OR REGISTERED OR LICENSED FOR USE, UPON A HIGHWAY.



This dyno chart from our DynoJet® 250i chassis dyno, makes it easy to see why S&S Hooligan kits raise the fun factor and give you a competitive edge. The S&S 1200cc kit with stock 883 heads increases horsepower by 80% over the original stock 883cc engine. The 1250cc kit shown here had 1200 heads. Stock 883 heads cannot be used on the 1250cc kit. Even more power is available with the S&S CNC cylinder head porting service. Do you want to win, or are you just along for the ride?

## NOTES

This kit is not compatible with the stock ignition.



# 1250cc CONVERSION KIT

## FOR 1986–2019 1200cc HARLEY-DAVIDSON® SPORTSTER® MODELS

### FITMENT

- 1986–2019 1200cc Harley-Davidson® Sportster® models
- 1986–2019 883cc Harley-Davidson Sportster models

### FEATURES & BENEFITS

- Forged pistons — coated piston skirts with measurement window
- Stock 1986–2018 1200cc cylinders can be bored over to accept these pistons
- Pistons have larger than stock valve pockets — accepts up to 2.00" valves

### OPTIONS

- Silver powder coat finish
- Wrinkle black (WBlack) powder coat finish

### KIT CONTENTS

- S&S 1250cc pistons w/rings and wristpins
- S&S 3 $\frac{1}{4}$ " bore cylinders
- MLS head, base, and exhaust gaskets
- Assembly lube
- Instructions



910-0692

### 1250cc CYLINDER AND PISTON CONVERSION KITS

Fitment	Piston Type	Compression Ratio	Finish	Part #	MSRP
1986–2019 Sportster®	S&S Forged Flat top	10.3:1	Silver	910-0689	\$799.95
			WBlack	910-0691	\$799.95
	S&S Forged 5.5cc dome	11.2:1	Silver	910-0690	\$799.95
			WBlack	910-0692	\$799.95

\*The cylinder fin profile does not perfectly match the fins on 2004 and later stock heads, but the difference is not considered to be objectionable. See Photos.

Compression ratios given are with 60cc combustion chambers.

DISCLAIMER: NOT LEGAL FOR SALE OR USE IN CALIFORNIA ON ANY POLLUTION CONTROLLED MOTOR VEHICLE. Not legal for sale or use on any EPA pollution controlled motor vehicle.

## NOTES

Can not run stock 883 cylinder heads with this kit. 883 heads may be used if S&S CNC porting is performed. PN 909-0011

The cylinder fin profile does not perfectly match the fins on 2004 and later stock heads, but the difference is not considered to be objectionable. See photo.

S&S does not recommend boring 2004 and later 883cc cylinders from 3" to 3 $\frac{1}{2}$ " bore to increase engine displacement to 1200cc due to changes in factory cylinder and liner. A smaller O.D. liner and large chamfer on the bottom of the spigot make boring the 883 cylinder not possible. New cylinders are recommended.

This kit is not compatible with the stock ignition.



S&S cylinders match the fin profile on 1986–'03 cylinder heads. Although there is a slight difference in the fin profiles of S&S cylinders and stock 2004–'18 cylinder heads (shown above), the look is generally not considered to be objectionable. You decide!



# 883 TO 1200cc CONVERSION KIT

## FOR 1986–2019 883CC HARLEY-DAVIDSON® SPORTSTER® MODELS

### FITMENT

- 1986–2019\* 883cc Harley-Davidson® Sportster® models (\*See photos)

### FEATURES & BENEFITS

- Increase displacement from 883cc to 1200cc
- Save time because pistons are already fit to the cylinders – Ready to assemble out of the box!
- No machining
- No rebalancing of 883cc flywheels
- No cylinder head modifications
- Durable powder coat finish
- 9.6:1 Compression ratio
- Must be used with 883 heads

### OPTIONS

- Silver powder coat finish
- Wrinkle black (WBlack) powder coat finish

### KIT CONTENTS

- S&S 883-1200cc conversion pistons w/rings and wristpins
- S&S 106-5548 piston kit - 11.2cc dish volume
- S&S 3½" Bore Cylinders
- Cylinder head, base, and exhaust gaskets
- Assembly lube
- Instructions



910-0687



S&S cylinders match the fin profile on 1986–’03 cylinder heads. Although there is a slight difference in the fin profiles of S&S cylinders and stock 2004–’18 cylinder heads (shown above), the look is generally not considered to be objectionable. You decide!

### 883cc TO 1200cc CYLINDER AND PISTON CONVERSION KITS

Fitment	Finish	Part #	MSRP
1986–2019 883cc Sportster®	Silver Powder Coat	<b>910-0688</b>	\$799.95
	WBlack Powder Coat	<b>910-0687</b>	\$799.95

DISCLAIMER: NOT LEGAL FOR SALE OR USE IN CALIFORNIA ON ANY POLLUTION CONTROLLED MOTOR VEHICLE. Not legal for sale or use on any EPA pollution controlled motor vehicle.

# SIDEWINDER® BIG BORE KITS

## FITMENT

- 1986–'03 Harley-Davidson® Sportster®
- 1994–'02 Harley-Davidson® Buell®

## FEATURES AND BENEFITS

- Available in three displacements, for four-speed (1986–'90) and five-speed (1991–'03) models, and in natural aluminum and black powder coat finish.
- Requires that the crankcase cylinder spigot holes be bored to accept the larger cylinders
- Complete instructions are provided for this machining operation, and S&S has special tools available that simplify the crankcase boring procedure. See Section 11 in this catalog for more information



### S&S® SIDEWINDER® BIG BORE KIT SPECIFICATIONS FOR 1986-'03 HARLEY-DAVIDSON® SPORTSTER® MODELS

Displacement	Application	Stroke	Bore	Compression Ratio	Piston Type	Cylinder Length
79" Sportster**	1986 to 2003	3 <sup>13</sup> / <sub>16</sub> "	3 <sup>3</sup> / <sub>8</sub> "	‡	Forged	Stock

‡ Compression ratio depends on cylinder head type used. If stock heads are used extensive cylinder head modifications must be performed, making compression ratios completely dependent on final combustion chamber volume.

### SIDEWINDER® BIG BORE KITS FOR 1986-'03 HARLEY-DAVIDSON® SPORTSTER® MODELS

Displacement	Stroke	Bore	Application	Part #	MSRP
1295cc (79")**	3 <sup>13</sup> / <sub>16</sub> "	3 <sup>3</sup> / <sub>8</sub> "	1986 to 2003	<b>91-3002</b>	\$1,154.95

\*\*This kit has stock height cylinders and will fit Buell® motorcycles.

### PARTS INCLUDED IN S&S® SIDEWINDER® BIG BORE KITS FOR 1986-'03 HARLEY-DAVIDSON® SPORTSTER® MODELS

Displacement	Stroke	Kit Part #	Flywheel Assembly	Pistons	Cylinders	Gaskets		Head Bolt	Head Mount		Pushrods	Manifold
						Head	Base		Center	Front		
1295cc (79")	3 <sup>13</sup> / <sub>16</sub> "	<b>91-3002</b>		Forged	●	●	●					

## NOTES

This kit is not compatible with the stock ignition.

# SB100 ENGINES FOR HARLEY-DAVIDSON® SPORTSTER®

## FITMENT

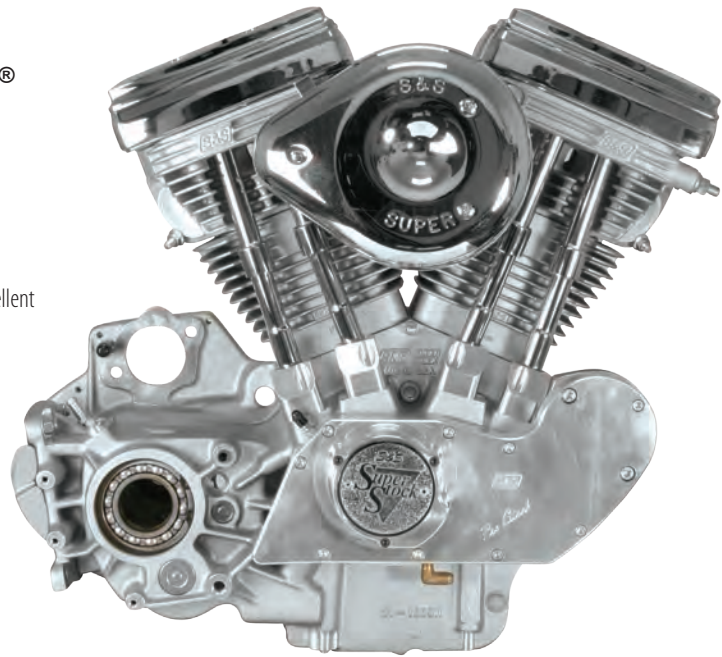
- 1986–'03 Harley-Davidson® Sportster®

## FEATURES AND BENEFITS

- Bolt-in replacement for stock engines
- "Square" motor configuration (equal bore and stroke) produces excellent torque, greatly increases engine life
- S&S Super G carburetor with Classic Teardrop air cleaner
- S&S high flow Super Stock® cylinder heads
- High strength supreme rods, S&S cylinders, and forged pistons
- Adjustable pushrods and pushrod cover assemblies
- Hydraulic tappets and S&S forged roller rocker arms
- S&S billet gear cover kit and billet aluminum rocker covers
- Now includes oil pump and oil filter mount

## KIT CONTENTS

- Assembled SB100 engine
- Instructions



S&S® SB100 ENGINE SPECIFICATIONS								
Displacement	Bore	Stroke	Cylinder Length	Camshaft	Piston Type	Compression Ratio	Fuel Delivery	Warranty Period
100"	4"	4"	4.420"	600	S&S forged	10.3:1	S&S Super G Carb	1 year parts only

## COMPLETE SB100 ENGINES FOR SPORTSTER® MODELS

Application	Part #	MSRP
SB100 for Sportster	<b>31-9891</b>	\$9,974.95

DISCLAIMER: NOT LEGAL FOR SALE OR USE IN CALIFORNIA ON ANY POLLUTION CONTROLLED MOTOR VEHICLE. Not legal for sale or use on any EPA pollution controlled motor vehicle.

## NOTES

Requires 1991–'03 style primary components and transmission. Will not accept 1986–'90 4 speed transmission, charging system or primary components.

Primary components, starter charging system, ignition system, and transmission components are not included.

# CRANKCASES

## FOR 1986–'03 SPORTSTER® AND BUELL® MODELS

### FITMENT

- 1986–'03 Harley-Davidson® Sportster® and Buell®
- S&S SB-Series engines

### FEATURES AND BENEFITS

- Super strong for high performance engines
- Crankcases come complete with all required bearings and hardware
- Replaceable tappet guides for all year groups

### OPTIONS

- Special Application (SA) Cases
  - Choice of cam geometry—1986-'90 (4-speed) or 1991-'99 (5-speed)
  - 3 $\frac{5}{8}$ " bore to 4 $\frac{1}{2}$ " bore
  - Up to 1" taller cylinder deck height
  - Machined for stock, big twin, or S&S 1.500" diameter sprocket shafts

### KIT CONTENTS

- Crankcase assembly
- Billet tappet guides
- Bearings and hardware
- Transmission trapdoor
- Oil filter mounting bracket



**ANY JOB IS EASY WITH THE RIGHT TOOLS**  
**S&S DEGREE WHEEL, SEE PAGE 521**

### SPECIAL APPLICATION CRANKCASES FOR 1986–'03 FOR HARLEY-DAVIDSON® SPORTSTER® & 1994–'02 BUELL® MODELS

Engine	Cam Geometry	4" Bore	MSRP
Sportster/Buell	1986–'90	<b>31-1012</b> 31-1012NS	\$3,464.95

- All S&S crankcases use 5-speed transmission and primary components.
  - These cases will not accept 4-speed transmission.
  - Not compatible with stock flywheel assemblies.
- Since S&S Special Application crankcases are .500" wider than stock, they require part #33-2329 + .500" pinion shaft and S&S Special Application tappet guides.
  - Requires use of S&S cam cover gasket. (Part #31-2099).
  - 1991–'03 cases require 1991–'96 gearcovers.

DISCLAIMER: NOT LEGAL FOR SALE OR USE IN CALIFORNIA ON ANY POLLUTION CONTROLLED MOTOR VEHICLE. Not legal for sale or use on any EPA pollution controlled motor vehicle.

## NOTES

If transmission and primary do not share the same lubricant, it is vital to ensure that both the primary and the transmission are filled with the correct lubricants.

**REPLACEMENT PARTS: SEE PAGE 290**

# FLYWHEELS

## FOR 1986–'99 HARLEY-DAVIDSON® SPORTSTER® AND 1994–'97 BUELL® MODELS

### FITMENT

- 1986–'99 Harley-Davidson® Sportster®
- 1994–'97 Buell®
- S&S SB-Series engines

### FEATURES AND BENEFITS

- CNC machined from heat-treated, closed die, steel forging
- Stronger than cast iron or late style steel flywheels
- 5-piece design—easily rebuilt with standard flywheel fixtures and tools
- Unassembled balanced flywheels are balanced by the static method

### FLYWHEEL ASSEMBLIES FOR 1994–'97 BUELL® MODELS

S&S flywheels for two-cylinder 1994–'97 Buell models. Although similar to flywheels for Sportster® models, these flywheels are knife edged and lightened. This design offers these advantages:

- Knife edging is a proven design used in race motors to make the flywheels "shed" oil more quickly to reduce drag at high rpm.
- Knife edging and lightening increases effective crankcase volume and reduces the flywheel assembly weight by 2–4 lbs. Increased crankcase volume results in better oil control, effectively reducing friction and heat, as well as helping to control oil carry over. Reduced weight results in faster revving and higher top rpm capability.
- All S&S flywheels for Sportster and Buell models feature removable mainshafts for easy rebuilding. In addition, the S&S pinion shaft is the 1986–'87 splined design, which is much stronger than the stock pinion shaft, allowing the use of higher lift cams and stronger valve springs.

### OPTIONS

- Stock replacement or stroker flywheels for high performance upgrade
- Available in a wide variety of styles and strokes
- Available balanced or unbalanced
- Available assembled or unassembled by special order

### KIT CONTENTS

- Flywheels
- Pinion shaft and sprocket shaft
- Optional connecting rods



**TRYING TO IDENTIFY AN S&S® FLYWHEEL?  
SEE FLYWHEEL I.D. CHART IN THE APPENDIX:  
PAGE 544**

**REPLACEMENT PARTS: SEE PAGE 289**

### NOTES

Lightened flywheels are not recommended for Sportster models with solid mounted engines due to increased vibration and loss of low rpm torque.

S&S pinion shafts for 1986–'03 Sportster® models are the splined 1986–'87 style.

Pinion and oil pump drive gears in 1988–'03 models must be replaced with early style gears. See page 267

Complete S&S Flywheel assemblies will fit up to 1999 model year engines. However, the flywheels are compatible with stock crankpins up to 1999 only.

Stock stroke flywheels are balanced to stock weight pistons

These flywheels will not fit 1998–up Buell® models.

### REPLACEMENT FLYWHEEL ASSEMBLIES FOR HARLEY-DAVIDSON® SPORTSTER® MODELS

Year Group	Displacement	Stroke	Flywheel Diameter	Part #	MSRP
1986–'90	1200cc (Stock)	3 <sup>13</sup> / <sub>16</sub> " (Stock)	7 <sup>7</sup> / <sub>8</sub> " (Stock)	<b>320-0052</b>	\$1,570.95
	S&S 89" SW Kit	4 <sup>1</sup> / <sub>16</sub> "	7 <sup>7</sup> / <sub>8</sub> " (Stock)	<b>32-3061</b>	\$1,570.95
1991–'99	1200cc (Stock)	3 <sup>13</sup> / <sub>16</sub> " (Stock)	7 <sup>7</sup> / <sub>8</sub> " (Stock)	<b>320-0053</b>	\$1,570.95
	S&S 89" SW Kit	4 <sup>1</sup> / <sub>16</sub> "	7 <sup>7</sup> / <sub>8</sub> " (Stock)	<b>32-3062</b>	\$1,570.95
Special Order*	Specify	Specify	Specify	<b>32-3014*</b>	Call for Pricing

\*Special Order Notes: Download the Special Order Form at [sscycle.com/soforms](http://sscycle.com/soforms)

Application	Stroke	Flywheel Diameter	Part #	MSRP
Special Order For Buell*	Specify	Specify	<b>32-3014*</b>	Call for Pricing

\*Special Order: Download the Special Order Form at [sscycle.com/soforms](http://sscycle.com/soforms)

# BILLET GEARCOVERS FOR SPORTSTER® AND BUELL® MODELS

## BILLET GEARCOVER KITS — STANDARD±

Bushing Style	Part #	MSRP
1986–'90 style bushing	<b>31-0303</b>	\$629.95

±  WARNING: Cancer and Reproductive Harm – www.P65Warnings.ca.gov

## REPLACEMENT GASKETS

Product	Part #	MSRP
Gearcover Gasket	<b>31-2052</b>	\$7.95
Cam Seal 11124	<b>31-4051</b>	\$17.95



31-0303

All reference to HD® part numbers is for identification purposes only. We in no way are implying that any of S&S Cycle's products are original equipment parts or that they are equivalent to the corresponding HD® part number shown.

# BILLET FILTER MOUNT

## FITMENT

- 1986–'87 Harley-Davidson® Sportster® models
- S&S SB-Series engines
- S&S crankcases for Sportster and Buell® models

## FEATURES AND BENEFITS

- Accepts stock oil pressure sending switch
- Machined for easy routing of an oil cooler
- Seals off cam chest, providing a convenient place to spin on an oil filter



## BILLET FILTER MOUNT±

Fitment	Part #	MSRP
1986–'87 Harley-Davidson® Sportster® S&S SB-Series engines S&S crankcases for Sportster and Buell®	<b>106-3134</b>	\$178.95

±  WARNING: Cancer and Reproductive Harm – www.P65Warnings.ca.gov

# CYLINDERS WITH PISTONS KIT

- Cylinders with piston kits include fitted pistons and cylinders, head gaskets, base gaskets, and exhaust gaskets
- Cylinder kits with pistons are honed to fit the pistons included



## S&S® 4" BORE CYLINDERS WITH PISTONS KIT SPECIFICATION CHART

Displacement	Stroke	Cylinder Length	Piston Deck Height	COMPRESSION RATIO	
				Low Compression* Heads 85cc	High Compression* Heads 76cc
100"	4"	4.420"	1.200"	9.6:1	10.3:1

\*91" and 100" engines for Sportster models typically use heads with 76cc chambers for high compression and 85cc chambers for low compression.

## 4" BORE CYLINDERS WITH PISTONS FOR 100" KIT

Displacement	Description	Finish	Part #	MSRP
100"	Cylinder with Piston Set	Natural	<b>91-3031</b>	\$1,259.95

**CYLINDERS WITH PISTONS KIT con't**



**91-3208**

S&S® 3 5/8" BORE CYLINDERS WITH PISTONS KIT SPECIFICATION CHART					
Displacement	Stroke	Cylinder Length	Piston Deck Height	COMPRESSION RATIO	
				S&S Super Stock® Heads - Low/Intermediate/High	Stock Heads
1458cc (89")	4 5/16"	5.087"	1.200"	9.5/10.3/12.4	*
1688cc (103")	5"	5.750"		10.9:1/11.8:1/14.2:1	*

\*Compression ratio will be determined by the combustion chamber modifications

**3 5/8" BORE CYLINDERS WITH PISTONS FOR 89" KIT**

Displacement	CYLINDERS W/PISTONS (SET)			
	Low Compression (92-1080 series pistons)		Intermediate Compression (92-1120 series pistons)	
	Natural	MSRP	Natural	MSRP
1458cc (89")	<b>91-3207</b>	\$1,259.95	<b>91-3208</b>	\$1,259.95



**910-0689**

S&S® 3 3/16" BORE CYLINDERS WITH PISTONS KIT SPECIFICATION CHART					
Displacement	Stroke	Cylinder Length	Dome Volume	Piston Deck Height	Compression Ratio S&S Heads
1250cc	3 3/16"	4.650"	Flat Top	1.208"	10.3:1
			5.5cc		11.2:1

**3 3/16" BORE CYLINDERS WITH PISTONS FOR 1250CC KIT**

Displacement	Piston Type	Silver	MSRP	WBlack	MSRP
1250cc	S&S Forged Flat Top	<b>910-0689</b>	\$799.95	<b>910-0691</b>	\$799.95
	S&S Forged 5.5cc Domed	<b>910-0690</b>	\$799.95	<b>910-0692</b>	\$799.95

DISCLAIMER: NOT LEGAL FOR SALE OR USE IN CALIFORNIA ON ANY POLLUTION CONTROLLED MOTOR VEHICLE. Not legal for sale or use on any EPA pollution controlled motor vehicle.



**910-0688**

S&S® 3 1/2" BORE CYLINDERS WITH PISTONS KIT SPECIFICATION CHART					
Displacement	Stroke	Cylinder Length	Piston Deck Height	COMPRESSION RATIO	
				S&S Heads	Stock Heads
1200cc	3 3/16"	4.650"	1.208"	10.5:1	9.6:1

**3 1/2" BORE CYLINDERS WITH PISTONS FOR 1200CC & 883CC KITS**

Displacement	Silver	MSRP	WBlack	MSRP
1200cc, 1986–2003 Sportster®, 1994–02 Buell® Models with S&S® Heads	<b>910-0694</b>	\$849.95	<b>910-0696</b>	\$849.95
883cc (conversion to 1200cc), 1986–2017*Sportster® models	<b>910-0688</b>	\$799.95	<b>910-0687</b>	\$799.95

\*The cylinder fin profile does not perfectly match the fins on 2004 and later stock heads, but the difference is not considered to be objectionable. See Photos on page 257

DISCLAIMER: NOT LEGAL FOR SALE OR USE IN CALIFORNIA ON ANY POLLUTION CONTROLLED MOTOR VEHICLE. Not legal for sale or use on any EPA pollution controlled motor vehicle.

**ALL OTHER SPECIFICATIONS AND FINISHES ARE AVAILABLE THROUGH SPECIAL ORDER**

\*Special Order: Download the Special Order Form at [sscycle.com/soforms](http://sscycle.com/soforms)

**91-3604\*** Call for Pricing

**NOTE**

Stock crankcases must be machined to accommodate the larger spigot diameter.  
Combustion chamber modifications must be made to stock cylinder heads to reduce compression.

# CYLINDERS

- Cylinder sets without pistons are bored slightly under normal size and are not honed.
- Include dowel pins

## 4" BORE CYLINDERS

Displacement		Natural	MSRP
100"	Set	<b>91-3030</b>	\$1,049.95

## 3¾" BORE CYLINDERS

Displacement		Silver	MSRP	WBlack	MSRP
1200cc	Set	<b>910-0693</b>	\$599.95	<b>910-0697</b>	\$599.95

DISCLAIMER: NOT LEGAL FOR SALE OR USE IN CALIFORNIA ON ANY POLLUTION CONTROLLED MOTOR VEHICLE. Not legal for sale or use on any EPA pollution controlled motor vehicle.

## 3½" BORE CYLINDERS

Displacement		Silver	MSRP	WBlack	MSRP
1200cc	Set	<b>910-0698</b>	\$549.95	<b>910-0695</b>	\$549.95



**ALL OTHER SPECIFICATIONS AND FINISHES ARE AVAILABLE THROUGH SPECIAL ORDER 91-3604\*** Call for Pricing

\*Special Order: Download the Special Order Form at [sscycle.com/soforms](http://sscycle.com/soforms)

## NOTES

- Stock crankcases must be machined to accommodate the larger spigot diameter.
- Combustion chamber modifications must be made to stock cylinder heads to reduce compression.

# PISTON KITS

- Piston kits include set of pistons, rings, wristpins, and clips

## 4" BORE FORGED PISTON KITS

Displacement	Deck Height	Stroke	Standard	MSRP	+ .010"	MSRP	+ .020"	MSRP
100"	1.200"	4"	<b>92-1420</b>	\$388.95	<b>92-1421</b>	\$388.95	<b>92-1422</b>	\$388.95

Recommended piston fitment: Close: .0020"-.0025" Loose: .0032"-.0045"



## 3¾" BORE FORGED PISTON KITS FOR STOCK HEADS

Displacement	Deck Height	Stroke	Standard	MSRP	+ .010"	MSRP	+ .020"	MSRP	+ .030"	MSRP	+ .040"	MSRP
1458cc (89")	1.200"	4¾"	<b>92-1940</b>	\$388.95	<b>92-1941</b>	\$388.95	<b>92-1942</b>	\$388.95	<b>92-1943</b>	\$388.95	<b>92-1944</b>	\$388.95
1688cc (103")	1.200"	5"										

Recommended piston fitment: Close: 0.0015"-0.0020" Loose: 0.0030"-0.0040"

## 3¾" SUPER STOCK® FORGED LOW COMPRESSION PISTON KITS

Displacement	Deck Height	Stroke	Standard	MSRP	+ .010"	MSRP	+ .020"	MSRP	+ .030"	MSRP	+ .040"	MSRP
1458cc (89")	1.200"	4¾"	-	-	<b>92-1081</b>	\$388.95	-	-	<b>92-1083</b>	\$415.95	<b>92-1084</b>	\$415.95
1688cc (103")	1.200"	5"										

## 3¾" SUPER STOCK® FORGED MEDIUM COMPRESSION PISTON KITS

Displacement	Deck Height	Stroke	Standard	MSRP	+ .010"	MSRP	+ .020"	MSRP	+ .030"	MSRP	+ .040"	MSRP
1458cc (89")	1.200"	4¾"	-	-	-	-	<b>92-1122</b>	\$388.95	-	-	-	-
1688cc (103")	1.200"	5"										

Recommended piston fitment: Close: 0.0023"-0.0025" Loose: 0.0035"-0.0045"



## PISTON KITS con't

### 3¼" BORE FORGED PISTON KITS

Displacement	Dome Volume	Deck Height	Stroke	Standard	MSRP
1250cc	Flat Top	1.207"	3¼"	<b>920-0070</b>	\$419.95
	5.5cc	1.207"	3¼"	<b>920-0071</b>	\$419.95

DISCLAIMER: FOR CLOSED COURSE COMPETITION USE ONLY. NOT INTENDED FOR STREET USE.

LEGAL IN CALIFORNIA ONLY FOR RACING VEHICLES WHICH MAY NEVER BE USED, OR REGISTERED OR LICENSED FOR USE, UPON A HIGHWAY.

### 3½" BORE FORGED PISTON KITS

Cylinder Heads	Deck Height	Stroke	Standard	MSRP	+ .010"	MSRP	+ .020"	MSRP
S&S® Super Stock®	1.1875"	3½"	<b>92-2016</b>	\$388.95	<b>92-2017</b>	\$388.95	<b>92-2018</b>	\$388.95
Stock 883cc	1.207"		<b>106-5548</b>	\$388.95	<b>106-5549</b>	\$388.95	<b>106-5550</b>	\$388.95

Recommended piston fitment: Close: 0.0025"–0.003" Loose: 0.0030"–0.0040"

# REPLACEMENT PARTS FOR PISTONS

### PISTON RINGS, CHROMOLY FACED

Bore	4"		3⅝"		3 ⅞"		3½"		
	Deck Height	MSRP	Deck Height	MSRP	Deck Height	MSRP	S&S® Heads	Stock 883cc Heads	
Standard	<b>94-1300X</b> 	\$41.95	<b>94-1210X</b> 	\$41.95	<b>940-0042*</b>	\$83.95	<b>94-2216X</b> 21921-83	<b>94-2206X</b> 22334-78A, 22334-78B, 21920-83	\$41.95
+ .005"	–	–	–	–	–	–	<b>94-22165X</b> 21921-83	–	–
+ .010"	<b>94-1301X</b> 	\$41.95	<b>94-1211X</b> 	\$41.95	–	–	<b>94-2217X</b>	<b>94-2207X</b> 22334-78A, 22334-78B, 21920-83	\$41.95
+ .020"	<b>94-1302X</b> 	\$41.95	<b>94-1212X</b> 	\$41.95	–	–	<b>94-2218X</b> 	<b>94-2208X</b> 22336-78B, 21923-83	\$41.95
+ .030"	–	–	<b>94-1213X</b>	\$41.95	–	–	<b>94-2219X</b> 	<b>94-2209X</b> 22336-78B, 21923-83	\$41.95
+ .040"	–	–	<b>94-1214X</b>	\$41.95	–	–	–	–	–
+ .060"	–	–	<b>94-1216X</b>	\$41.95	–	–	–	–	–

\*Clips and pins not available.

### WRISTPINS

Bore	Description	Part #	MSRP
4"	Wristpin .792" x 2.825"	<b>94-9256</b> 	\$31.95
3⅝"			
3½"			

### KEEPERS

Bore	Description	Part #	MSRP
4"	Keeper 22589-83A	each	<b>94-9254-S</b> \$0.95
3⅝"		2 pack	<b>94-9254-2</b> \$2.95
3½"		4 pack	<b>94-9254</b> \$3.95

All reference to HD® part numbers is for identification purposes only. We in no way are implying that any of S&S Cycle's products are original equipment parts or that they are equivalent to the corresponding HD® part number shown.

# CAMSHAFTS

## FITMENT

- 1986–'19 Harley-Davidson® Sportster® models
- 1994–'02 Buell® models

## APPLICATIONS

**S&S 482:** Bolt-in cam for 2004–'19 models only. Recommended for S&S 883 to 1250 conversion kits. Best performance gains 3500–6500 rpm. Compatible with stock valve springs and stock non-adjustable pushrods.

**S&S 500:** Bolt-in cams that provide excellent torque with stock or ported heads. Recommended for modified engines up to 89" displacement and 9.0:1 to 10.5:1 compression ratio. Will work in 89" to 100" engines with less than 9.0:1 compression. Normal clearancing checks recommended. 2000–6000 rpm. Works with stock valve springs and stock non-adjustable pushrods.

**S&S 555:** Recommended for 89"–100" engines with 9.5:1 to 11.5:1 compression ratio. Provides best performance from 3500–6500 rpm using ported stock heads or S&S heads. Requires adjustable pushrods, spring spacing or high lift valve springs, and normal clearance checks.

**S&S 600:** The standard cam included in 4" bore S&S engines. For engines larger than 89" with 9.5:1 to 10.5:1 compression ratio and S&S heads. Great addition to a S&S 103" Sidewinder® kit. Requires adjustable pushrods, crankcase clearancing and high lift valve springs. 3500–6500 rpm.



33-5082

With the exception of the "bolt-in" 500 camshafts, S&S cams are high lift and are designed to take advantage of the extra flow of ported stock heads or S&S Super Stock® heads. Due to the high lift of these cams, high lift valve springs and minor clearancing is required for proper installation.

### S&S® CAMS SPECIFICATIONS FOR 1986–'19 SPORTSTER® AND 1994–'02 BUELL® MODELS

Cam Name	Valve Timing <sup>1</sup>		Valve Duration (°)		Valve Lift	Lift @ TDC <sup>2</sup>		Spring Spacing Required	Tappet <sup>3</sup> Type Required
	Intake	Exhaust	Intake	Exhaust		Intake	Exhaust		
	Open BTDC/Close ABDC	Open BBDC/Close ATDC							
S&S 482	22°/38°	43°/11°	240°	234°	.482"	.181"	.134"	No	Hydraulic
S&S 500	34°/50°	56°/28°	264°	264°	.500"	.241"	.212"	No	Solid or Hydraulic
S&S 555	33°/53°	53°/33°	266°	266°	.555"	.240"	.240"	Yes	Solid or Hydraulic
S&S 600	20°/55°	60°/20°	255°	260°	.600"	.194"	.184"	Yes	Solid or Hydraulic

<sup>1</sup>Timing designations is a function of zero lash @ 0.053" off base circle.

<sup>2</sup>TDC lifts are measured at the valve and are for reference only. Overlap valve lifts must be checked on assembled motor.

<sup>3</sup>Requires cam lobe clearancing when used in stock crankcases.

### CAMS FOR 1986–'19 SPORTSTER® AND 1994–'02 BUELL® MODELS

Cam Name	Application	Part #	MSRP
S&S 482	2000–'19	<b>330-0189</b>	\$472.95
S&S 500	1991–'19*	<b>33-5082</b>	\$472.95
	1986–'90	<b>33-5081</b>	\$472.95
S&S 555	1991–'19*	<b>33-5084</b>	\$472.95
S&S 600	1991–'19*	<b>33-5126</b>	\$472.95
	1986–'90	<b>33-5125</b>	\$472.95

\*See Notes regarding pinion gears

DISCLAIMER: NOT LEGAL FOR SALE OR USE IN CALIFORNIA ON ANY POLLUTION CONTROLLED MOTOR VEHICLE. Not legal for sale or use on any EPA pollution controlled motor vehicle.

## NOTES

1991–'99 style pinion gear must be used with S&S® cams (except for 482) in 2000–'19 Sportster® models and 2000–'02 Buell® models with stock flywheels. See page 267.

2000–'03 Sportster models and 2000–'02 Buell models using S&S flywheels or pinion shafts require the use of '91–'99 style cams and S&S '86–'87 pinion gear and oil pump drive gear.

# PINION GEARS

## FITMENT

- 1986–'99 Sportster® models
- 1994–'02 Buell® models



33-4153



33-4163



33-4228

### PINION GEARS FOR 1986–'87 SPORTSTER® MODELS

REQUIRED FOR ALL S&S FLYWHEEL ASSEMBLIES FOR 1986–'99 SPORTSTER AND 1991–'99 BUELL MODELS

Color Code	Size	HD® Part #	S&S® Part #	MSRP
Blue	Biggest	24056-86	<b>33-4152</b>	\$167.95
Red	Average	24057-86	<b>33-4153</b>	\$167.95
White	Average	24058-86	<b>33-4154</b>	\$167.95
Green	Average	24059-86	<b>33-4155</b>	\$167.95
Yellow	Smallest	24060-86	<b>33-4156</b>	\$167.95

### PINION GEARS FOR 1991–'99 SPORTSTER® WITH STOCK FLYWHEEL ASSEMBLY

Color Code	Size	HD® Part #	S&S® Part #	MSRP
Blue	Biggest	24056-91	<b>33-4162</b>	\$176.95
Red	Average	24057-91	<b>33-4163</b>	\$209.95
White	Average	24058-91	<b>33-4164</b>	\$209.95
Green	Average	24059-91	<b>33-4165</b>	\$209.95
Yellow	Smallest	24060-91	<b>33-4166</b>	\$209.95

Note: Can be used to install S&S cams in 2000–2013 Sportster® engines

### PINION SHAFT COMPONENTS FOR 1986–'03 SPORTSTER® MODELS

Item Description	HD® Part # <sup>1</sup>	S&S® Part #	MSRP
1986–'87 Style Pinion Gear Nut	7913	<b>33-4254</b>	\$25.95
1986–'87 Style Pinion Shaft Oil Pump Drive Gear	26318-75	<b>33-4228</b>	\$104.95

<sup>1</sup>Note: No longer available from Harley-Davidson®

## NOTE

If the stock gear is unmarked and the size is unknown or you are scratch building an engine and have no gear, we recommend that you order a gear in the middle of the size range. These sizes were used more often and should provide adequate gear clearance under most circumstances. When in doubt, use a gear from the middle to the small side of the range because a combination of looser fitting smaller gears is less likely to cause binding and premature wear. Consult the chart for the size and appropriate part number required. If you wish to achieve optimum cam gear to pinion gear fit, consult your factory service manual for instructions on fitting these gears before making a selection. Some sizes, particularly those on and near the ends of each range, are available on a limited basis because they are the extremes.

All reference to HD® part numbers is for identification purposes only. We in no way are implying that any of S&S Cycle's products are original equipment parts or that they are equivalent to the corresponding HD® part number shown.

# PREMIUM HIGH PERFORMANCE TAPPETS

## FITMENT

- 2000–'19 Sportster® models

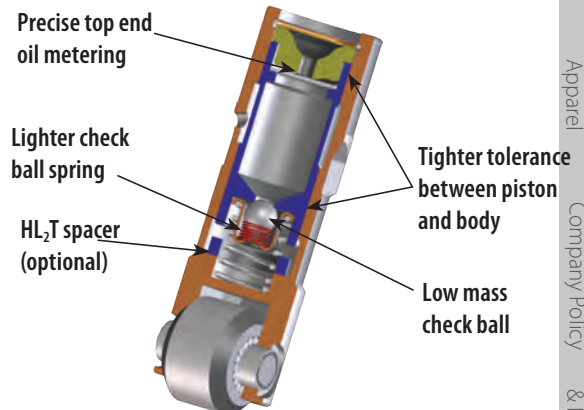
## FEATURES

- Reduced valve train noise from start up to shut down
- Close tolerances for low leak down rates—fast pump up and superior high rpm performance
- Low mass, bearing grade, silicon nitride check ball and lighter check ball spring—enhances fast pump up and quiet operation
- 100% tested to ensure that leak down and top end oil flow are within specification



### PREMIUM HIGH PERFORMANCE TAPPETS

Tappet Sets	Part #	MSRP
Set of 4 tappets with HL <sub>2</sub> T kit	<b>330-0174</b>	\$314.95
Set of 4 tappets without HL <sub>2</sub> T kit	<b>330-0175</b>	\$293.95



# HIGH PERFORMANCE HYDRAULIC TAPPETS

## FITMENT

- 1986–'90 Harley-Davidson® Sportster®
- 2000–'19 Harley-Davidson Sportster
- 2000–'02 Buell®

## FEATURES AND BENEFITS

- Redesigned plunger assembly better withstands forces associated with heavy-duty valve springs and cams typically used in high-performance applications
- Revised metering device precisely controls oil delivery to top end, ensuring rapid lifter pump-up and reducing possibility of oil starvation to bottom end
- Each lifter body and plunger assembly is selective-fit and tested to ensure correct operation
- 1986–'90 (4-speed)
  - Larger inner bearing race reduces stresses to increase axle, bearing and roller life. The S&S inner bearing race is .123" larger in diameter than the "raceless" roller axles currently used by some manufacturers.
  - Improved inner race-roller design allows use of more and larger bearings to increase load—carrying surface area, further reducing stress and wear in the critical roller area.

## OPTIONS

- Tappets for 1986–'90 four speed Sportster® models are available with the HL<sub>2</sub>T Limited Travel Kit for improved cold starts and high rpm valve timing accuracy.

## KIT CONTENTS

- Four hydraulic tappets

33-5350



33-5352

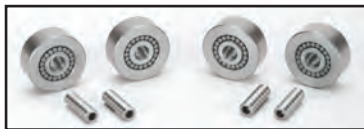
## HIGH PERFORMANCE HYDRAULIC TAPPETS

Fitment	Description	Part #	MSRP
2000-'19 Sportster® models 2000-'02 Buell® models	S&S Standard Tappet (HL <sub>2</sub> T kit not installed)	33-5350	\$141.95
1991-'99 Sportster® models	S&S Standard Tappet (HL <sub>2</sub> T kit not installed)	330-0288	\$146.95
1986-'90 Sportster® models	S&S Standard Tappet (HL <sub>2</sub> T kit not installed)	33-5352	\$304.95
	S&S Standard Tappet (With HL <sub>2</sub> T kit installed)	33-5353	\$325.95

## NOTE

S&S tappets with HL<sub>2</sub>T Kit require the use of adjustable pushrods. See page 270 for S&S adjustable pushrod options

# HIGH QUALITY TAPPET ROLLER AND AXLE REPLACEMENT



High quality tappet roller and axle replacement kit for 1984–99 HD® big twin and 1986–90 Sportster® models. Kit includes rollers to rebuild 4 tappets.

## HIGH QUALITY TAPPET ROLLER AND AXLE REPLACEMENT KIT

Fitment	Part #	MSRP
Kit includes rollers to rebuild 4 tappets.	330-0378	\$104.95

# HYDRAULIC LIFTER LIMITED TRAVEL SPACER (HL<sub>2</sub>T)

## FITMENT

- 1986–'03 Harley-Davidson® Sportster® models
- 1994–'02 Buell® models

## FEATURES AND BENEFITS

- Positive valve train activation!
- More horsepower at higher RPMs
- Easier starting

## KIT CONTENTS

- Set of four spacers



## HYDRAULIC LIFTER LIMITED TRAVEL SPACER (HL<sub>2</sub>T)

Fitment	Part #	MSRP
1986–'03 Sportster® with stock or S&S® tappets (fits tappets with .612" I.D.)	33-5338	\$21.95

All reference to HD® part numbers is for identification purposes only. We in no way are implying that any of S&S Cycle's products are original equipment parts or that they are equivalent to the corresponding HD® part number shown.

# TAPPET GUIDES

## FITMENT

- 1986–'90 Harley-Davidson® Sportster®
- S&S Super Stock® crankcase
- S&S Special Application crankcase

## FEATURES AND BENEFITS

- Unlike cast aluminum, billet has no internal voids or impurities
- No residual strain from thermal contraction or expansion means no cracking or changes in shape
- Simple to install upgrade that looks great
- Tappet guides for special application cases have correct pushrod angles for 1/2" camchest offset

## KIT CONTENTS

- Guides
- O-rings
- Installation hardware

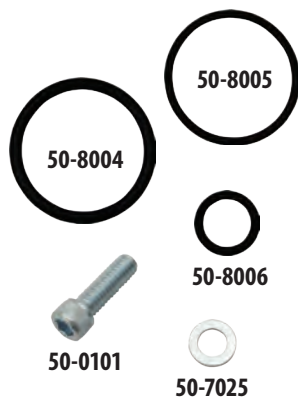


## TAPPET GUIDE SETS FOR SPORTSTER®, SUPER STOCK®, AND SPECIAL APPLICATION CRANKCASES

Application	Set	MSRP
1986-'90 Stock/S&S® Super Stock	<b>33-5375</b>	\$335.95
1986-'90 S&S Special Application	<b>33-5365</b>	\$335.95
1991-'99 S&S Super Stock	<b>33-5389</b>	\$335.95

## NOTE

2000 and later Sportster models use the same tappet as 1999–up big twin engines. However, these tappets will not fit the S&S tappet guides for 1991–'99 models.



## REPLACEMENT PARTS FOR TAPPET GUIDES

Description	Part #	MSRP
Tappet Guide O-ring Kit <i>Fits 1986–'90 Sportster models with stock or S&amp;S crankcases and 1991–'99 Sportster models with S&amp;S crankcases 1167A</i>	<b>50-8153</b>	\$16.95
Upper O-ring, 1" I.D. x 1 3/16" O.D. x 3/32" CS Viton® 11167	<b>50-8004</b>	\$2.95
Lower O-ring, 1" I.D. x 1 1/8" O.D. x 1/16" CS Viton 11168A	<b>50-8005</b>	\$2.95
Oil Passage O-ring, 3/8" I.D. x 1/2" O.D. x 1/16" CS 70 Buna 11110	<b>50-8006</b>	\$2.95
	<b>50-8077</b>	\$7.95
Screw, SHC, 5/16-18 x 1", Zinc 3201WA, 2708	<b>50-0101</b>	\$0.95
Washer, Flat, .325" x .548" x .062", Zinc, Low Carbon Steel 6771	<b>50-7025</b>	\$2.95

# QUICKEE ADJUSTABLE PUSHRODS

## FITMENT

- 1991–'19 Harley-Davidson® Sportster®
- 1994–'02 Buell®

## FEATURES AND BENEFITS

- Easy to install
- Adjustable to ensure consistent valve train operation under all conditions

## KIT CONTENTS

- Pushrods
- Pushrod covers and keepers
- O-rings



930-0023

## NOTES

Quickee pushrods cannot be used in the S&S® SB-100 engine. 33-5355 adaptors, 93-4039 cover kit and 93-4101 keepers are needed when used on 1991–2003 applications.

REPLACEMENT PARTS: SEE PAGE 271



WATCH THE S&S PUSHROD INSTALLATION VIDEO AT [SSCYCLE.COM/MEDIA/VIDEOS](http://SSCYCLE.COM/MEDIA/VIDEOS)

## QUICKEE ADJUSTABLE PUSHRODS FOR 1991–'19 HARLEY-DAVIDSON® SPORTSTER® MODELS

Description	Part #	MSRP
Complete Kit, for 2004–'19 xl	930-0023	\$273.95
Pushrod Set only, for 1991–'19 xl	93-5122	\$167.95

# STANDARD ADJUSTABLE PUSHRODS

## FITMENT

- 1986–'19 Harley-Davidson® Sportster® models
- 1994–'02 Buell® models

## FEATURES AND BENEFITS

- Made out of 7/16" O.D. chromoly steel tubing for strength and durability
- Adjustable to ensure accurate valve train operation under all conditions
- Compatible with solid and hydraulic lifters
- Kit includes all pushrods, covers, keeper and o-rings

## KIT CONTENTS

- Pushrods,
- Pushrod covers and keepers
- O-rings



930-0024

## NOTES

S&S pushrod sets are available separately for those who wish to use an aftermarket pushrod cover other than S&S.

33-5355 pushrod cover adaptors are required for 1991-'03 applications. See page 271

REPLACEMENT PARTS: SEE PAGE 271



WATCH THE S&S PUSHROD INSTALLATION VIDEO AT [SSCYCLE.COM/MEDIA/VIDEOS](http://SSCYCLE.COM/MEDIA/VIDEOS)

## STANDARD ADJUSTABLE PUSHRODS FOR 2004–'19 HARLEY-DAVIDSON® SPORTSTER® MODELS

Description	Part #	MSRP
Complete Kit	930-0024	\$230.95
Pushrod Set only	93-5022	\$121.95

## PUSHROD SETS

### FOR 1991–'03 SPORTSTER® AND 1994–'02 BUELL® MODELS

Displacement	Cylinder Length	Part #	MSRP
883cc, 1200cc, 79"	4.650" (Stock)	93-5022	\$121.95
89"	5.087" (+0.437)	93-5089	\$121.95

### PUSHROD SETS FOR 1986–'90 SPORTSTER® MODELS











Displacement	Cylinder Length	Part #	MSRP
883cc, 1200cc, 79"	4.650" (Stock)	93-5033	\$121.95
89"	5.087" (+0.437)	93-5022	\$121.95

# PUSHROD COVERS AND RELATED PARTS

## FITMENT

- 1986–2019 Harley-Davidson® Sportster®
- 1994–'02 Buell®

### PUSHROD REPLACEMENT PARTS

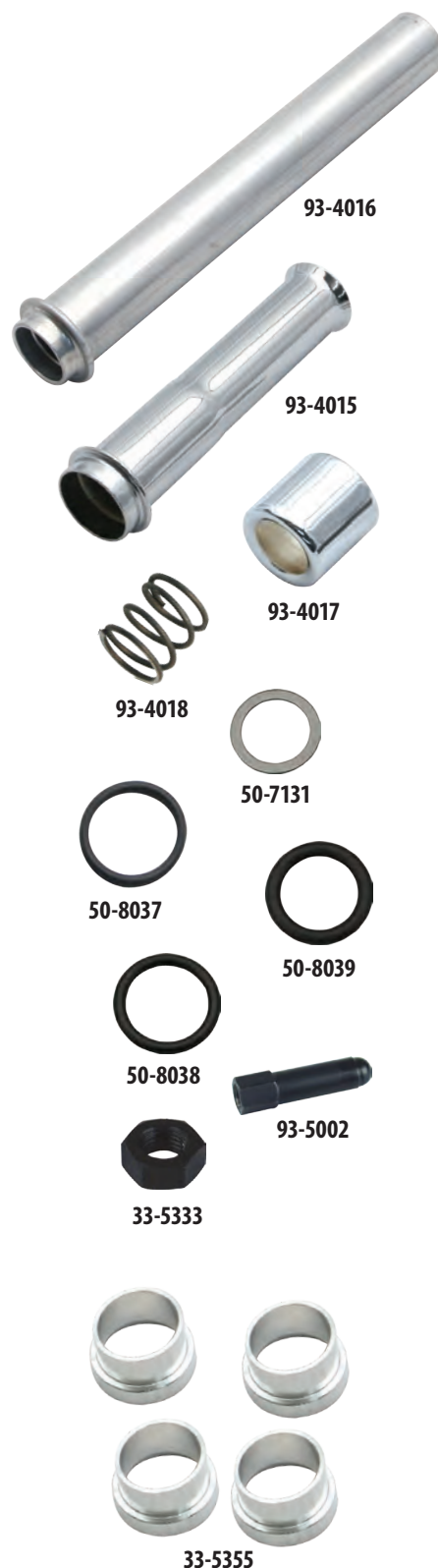
Item Description	Part #	MSRP
S&S Pushrod Cover Kit* (includes Top and bottom covers, Cover cap, Cover spring, Spring washers, and o-rings)	Stock Height 	<b>93-4039*</b> \$154.95
	1" or more taller than stock	<b>93-4038*</b> \$154.95
Cover Cap Washer 67628	<b>50-7131</b>	\$2.95
Bottom Cover Washer	<b>50-7150</b>	\$0.95
Top O-ring 11132A	<b>50-8039</b>	\$2.95
Middle O-ring	<b>50-8038</b>	\$2.95
Bottom O-ring	<b>50-8037</b>	\$2.95
Top Cover  	<b>93-4016</b>	\$13.95
Bottom Cover  	<b>93-4015</b>	\$14.95
Cover Cap  	<b>93-4017</b>	\$9.95
Cover Spring  	<b>93-4018</b>	\$2.95
Pushrod O-ring Kit	<b>93-4022</b>	\$7.95
Ball End 	Fits S&S adjustable with $\frac{5}{16}$ "-32 threads. (Manufactured after 2-1-1996)	<b>93-5002</b> \$11.95
Adjusting Unit Locknut	Fits S&S adjustable pushrods with early stock $\frac{5}{32}$ "-32 threads	<b>33-5333</b> \$4.95
	Fits S&S adjustable pushrods with $\frac{5}{16}$ "-32 threads. (Manufactured after 2-1-1996)	<b>93-5003-S</b> \$3.95

\*1991-'03 Sportster and 1994-'02 Buell models require S&S pushrod cover adaptor kit part #33-5355 to use two-piece pushrod covers.



S&S pushrod cover adapters for five-speed Sportster models are designed to convert stock 1991-'03 crankcases to accept 1986-'90 style pushrod cover assemblies in order to allow access to adjustable pushrods. 2004-up Sportster models do not require these adapters.

### PUSHROD COVER ADAPTER

Set of four	<b>33-5355</b>	\$73.95
-------------	----------------	---------



## PUSHROD COVER KEEPER SETS±

Application		Length	Part #	MSRP
2004-'18 Sportster® Pushrod covers	883cc & 1200cc	(2.600")	<b>93-4101</b>	\$31.95
1991-'03 Sportster and 1994-'02 Buell® with Stock Cases and S&S Adaptors	883cc & 1200cc	(2.600")	<b>93-4101</b>	\$31.95
	79"	(2.600")	<b>93-4101</b>	\$31.95
	89"	(3.000")	<b>93-4103</b>	\$31.95
1986-'90 Sportster with Stock or S&S Cases	883cc & 1200cc	(2.800")	<b>93-4115</b>  17950-86	\$31.95
	79"	(2.800")	<b>93-4115</b>  17950-86	\$31.95
	89"	(3.100")	<b>93-4104</b>	\$31.95
	100"	(3.000")	<b>93-4103</b>	\$31.95




±  WARNING: Cancer and Reproductive Harm – www.P65Warnings.ca.gov




**93-4101**

All S&S pushrod keepers are chromed steel except part #93-4109. Keeper #93-4109 is intended for unusually tall engines. It is manufactured of unchromed stainless steel to prevent rust or peeling after it is trimmed to the required length. Keepers are sold in sets of four.

## CUSTOM LENGTH PUSHROD COVER KEEPER SETS

Length	Part #	MSRP
2.400" 17950-48	<b>93-4070</b> ± 	\$31.95
2.500"	<b>93-4100</b> ±	\$31.95
2.600"	<b>93-4101</b> ±	\$31.95
2.800" 17950-86	<b>93-4115</b> ± 	\$31.95
2.900"	<b>93-4102</b> ±	\$31.95
3.000"	<b>93-4103</b> ±	\$31.95
3.100"	<b>93-4104</b> ±	\$31.95
3.200"	<b>93-4105</b> ±	\$31.95
3.330" 17949-40, 17950-66	<b>93-4106</b> ± 	\$31.95
3.500"	<b>93-4107</b> ±	\$31.95
3.625"	<b>93-4108</b> ±	\$31.95
4.250"	<b>93-4109</b> *	\$39.95

\*Custom extra long stainless steel 4.250", customer to cut to required length

±  WARNING: Cancer and Reproductive Harm – www.P65Warnings.ca.gov



# SIDEWINDER® .650" LIFT VALVE SPRINGS

## FITMENT

- 1986–'19 Harley-Davidson® Sportster® models with stock heads

## FEATURES AND BENEFITS

- Works well with cams up to .650" lift
- Manufactured from ultra clean high silicon Kobe alloy wire then micro shot peened and nitrided
- CNC machined 9° locks
- High performance conical single wire spring
- Chromoly forged retainers

## KIT CONTENTS

- Valve keepers, top & bottom collars, springs, shims
- Valve guide seals (*not included in kit for 1999-'04 xl*)

## S&S® .650" LIFT SPRINGS SPECIFICATIONS

Lift	Installed Height	Seat Force	Force @ Max Lift	Max RPM
.650"	1.860"	178 lb.	376 lb.	6500



## .650" LIFT SPRING KIT

Description	Part #	MSRP
1986-2003 (5/16" valve stems)	<b>900-0050</b>	\$209.95
2004-2019 (7mm stems)	<b>106-5909</b>	\$209.95

## NOTE

S&S recommends roller rocker arms be used with lifts over .585"

# STREET PERFORMANCE .585" VALVE SPRINGS

## FITMENT

- 1986-'19 Harley-Davidson® Sportster® models / 1995-'02 Buell models

## FEATURES AND BENEFITS

- Dual springs reduce the risk of valve float
- Suitable for high performance applications
- Accommodates camshaft lift to 0.585"

## KIT CONTENTS

- Valve Guide Seals, Springs, Top & Bottom Collars, Keepers, Shims

## STREET PERFORMANCE .585" VALVE SPRING KIT

Description	Part #	MSRP
1986-'03 Sportster® & 1995-'02 Buell® (5/16" valve stems)	<b>900-0593</b>	\$131.95
2004-'19 Sporsters® (7mm stems)	<b>900-0594</b>	\$146.95
S&S Super Stock Heads	<b>900-0595</b>	\$131.95

## S&S® .585" LIFT SPRINGS SPECIFICATIONS

Lift	Installed Height	Seat Force	Force @ Max Lift
.585"	1.850"	135 lb.	325 lb.



VALVE SPRING REPLACEMENT PARTS: SEE PAGE 306

# FORGED ROCKER ARMS

## FITMENT

- 1986–'19 Harley-Davidson® Sportster® models
- 1994–'02 Buell® models

## FEATURES AND BENEFITS

### ROLLER ROCKER ARMS

- Extremely durable rollers reduce valve stem side thrusting with high lift cams
- Superior wear and fatigue resistance even in the most demanding applications
- ¾" long bushings provide 50% more bushing support area than ½" long bushings
- Ideal for cams of any lift

### STANDARD ROCKER ARMS

- ¾" long bushings provide 50% more bushing support area than ½" long bushings
- An economical alternative for cams up to .585" lift

## KIT CONTENTS

- 2 front and 2 rear rocker arms



900-4065A



900-4119A



90-4036



90-4104

## FORGED ROLLER ROCKER ARM KIT

Description	Part #	MSRP
2 front and 2 rear rocker arms	900-4065A	\$545.95

*Adjustable pushrods must be used with S&S roller rocker arms to obtain proper valve clearance. New rocker arm shafts are recommended for maximum performance and rocker life.*

## STANDARD FORGED ROCKER ARM KIT

Description	Part #	MSRP
2 front and 2 rear rocker arms	900-4119A	\$272.95

*New rocker arm shafts are recommended for maximum performance and rocker life.*

## ROCKER ARM SHAFTS

Description	Part #	MSRP
Set of 4 17611-83B	90-4036	\$38.95
Individual 17611-83B	90-4006	\$11.95

*New rocker arm shafts are recommended for maximum performance and rocker life.*

## REPLACEMENT PARTS FOR FORGED ROLLER ROCKER ARMS

Rocker Arm Type	Description	Part #	MSRP
Roller	Front exhaust or rear intake rocker arm	900-4065FA	\$157.95
	Rear exhaust or front intake rocker arm	900-4065RA	\$157.95
Standard	Front exhaust or rear intake rocker arm 17375-83A	900-4119FA	\$94.95
	Rear exhaust or front intake rocker arm 17360-83A	900-4119RA	\$94.95
Roller	Rebuild kits (rebuilds 4 rocker arms)	90-4104	\$131.95
Roller & Standard	Rocker arm bushing (¾" long)	90-4014	\$9.95

## NOTES

S&S roller rocker arms are recommended for use with cams having more than 0.585" of lift. Adjustable pushrods must be used with S&S roller rocker arms to obtain proper valve clearance. New rocker arm shafts are recommended for maximum performance and rocker life.

*All reference to HD® part numbers is for identification purposes only. We in no way are implying that any of S&S Cycle's products are original equipment parts or that they are equivalent to the corresponding HD® part number shown.*

# CNC PORTED CYLINDER HEAD SERVICES

## CNC PORTING SERVICE FEATURES AND BENEFITS

- CNC machined ports are consistent - repeatable performance increase
- High flow and high port velocity - great power without losing low RPM torque
- Assembled with performance valves and your choice of .585" or .650" lift springs ready to bolt-on
- Stock heads with S&S CNC porting are also available for outright sale in select models

## XL CNC

- Available for 2004-'18 XL 883 and 1200cc engines
- Combustion chamber volume of 60cc - For stock compression in 1200cc engines
- 883 engines must be upgraded to 1200cc or greater
- Perfect for the S&S 1200cc and 1250cc kits.



## CNC PORTING SERVICE FOR SPORTSTER® MODELS

Description	Part #	MSRP
CNC Porting Service - S&S Ports Your Heads	<b>909-0011</b>	\$950.00
CNC Ported Heads - Complete Set Sold Outright	<b>909-0011</b>	\$1550.00

DISCLAIMER: NOT LEGAL FOR SALE OR USE IN CALIFORNIA ON ANY POLLUTION CONTROLLED MOTOR VEHICLE.  
Not legal for sale or use on any EPA pollution controlled motor vehicle.

## S&S® CNC PORTING SERVICE – SPECIFICATION COMPARISON — HARLEY-DAVIDSON® SPORTSTER® MODELS

Heads	Valve Size		Max Valve Lift	Max TDC Lift		Port Flow		Chamber Volume
	Intake	Exhaust		Intake	Exhaust	Intake	Exhaust	
Stock	1.805	1.575	.585	–	–	218.2 cfm	186.7 cfm	60cc
CNC Ported by S&S	1.830	1.575	.650	.213	.215	249.3 cfm	206.0 cfm	60cc

\*Flow testing performed on a SuperFlow® 1020 flow bench at 28" of water test pressure at .600" lift. Heads tested are 2007-'13 style.

Heads	COMPRESSION RATIO	
	1200cc	With .03 Head Gaskets
Stock 60cc	9.7	10:1
CNC Ported by S&S 60cc	9.7	10:1

\*\*As a general rule of thumb, for every 1cc decrease in chamber volume equals a .1 increase in compression ratio.

## NOTES

For XL applications, S&S recommends for use with cam TDC lifts no greater than: .213" intake, .215" exhaust to achieve .050" valve to valve clearance.

CNC porting is not available for previously ported heads, heads that have been structurally damaged, or heads that are determined to be unserviceable during initial inspection. These heads will be returned to the customer without modification. In these cases, the customer will be notified and options will be reviewed. As an alternative, S&S heads or CNC ported stock heads are available for purchase.

Due to variations in stock cylinder head castings, all inside surfaces of the ports may not "clean up" during machining. As a result, the inside of one or more ports may not appear to be completely machined. This does not effect performance and is not considered a defect.

CNC porting is not currently available for Harley-Davidson® CVO engines or Screamin' Eagle® cylinder heads.

# SUPER STOCK® CYLINDER HEADS FOR 4" BORE S&S ENGINES

### FITMENT

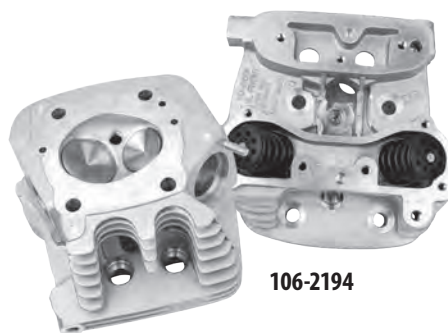
- SB-Series for Harley-Davidson® Sportster® 1986–'03
- SB-Series for Buell® 1994–'02

### FEATURES AND BENEFITS

- Machined for S&S manual or electric compression releases
- 2.000" intake valves and 1.605" exhaust valves
- Special "cast-to-shape" intake ports with a special directional fin for improved air flow
- Precision CNC machined from heat treated aircraft quality aluminum castings
- Machined with S&S 4" cylinder stud pattern and '86–90 S&S SA pushrod hole locations

### KIT CONTENTS

- 2 fully assembled cylinder heads in Natural or Wrinkle Black (WBlack) with S&S .650" lift springs
- Threaded plugs to seal compression release holes if no compression releases are used



106-2194

### SUPER STOCK® HEAD KITS FOR 4" BORE S&S ENGINES

Application	Natural	MSRP
1986–'03 Sportster® models	<b>106-2194</b>	\$2,121.95
1994–'02 Buell® models	<b>106-2297</b>	\$2,121.95

**!** THESE KITS REQUIRES SPECIAL S&S PISTONS AND GASKETS. Order the required piston oversize and gaskets from the charts below.

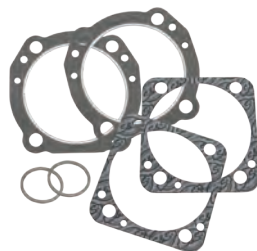


92-1420

### 4" PISTON KITS FOR 1986–'03 HARLEY-DAVIDSON® SPORTSTER® MODELS

Oversize	Part #	MSRP
Standard	<b>92-1420</b>	\$388.95
+0.010"	<b>92-1421</b>	\$388.95
+0.020"	<b>92-1422</b>	\$388.95

*Kits include a set of pistons, rings, wristpins and keepers.*



90-1909

### 4" BORE GASKET KIT FOR 1986–'03 HARLEY-DAVIDSON® SPORTSTER® MODELS

Description	Part #	MSRP
Head, Base, and Exhaust Gaskets	<b>90-1909</b>	\$38.95

REPLACEMENT PARTS: SEE PAGE 292

### NOTE

Due to expanded stud pattern, these heads will not fit on stock Sportster® Evolution® engines.

# 3-1/2" AND 3-5/8" SUPER STOCK® CYLINDER HEADS

## FITMENT

- 1986–'03 Harley-Davidson® Sportster®
- 1994–'02 Buell® (heads require S&S Super stock pistons)

## FEATURES AND BENEFITS

- Machined with a stock bolt pattern
- Larger, more open combustion chamber presents less resistance to air flow around the valves
- 2.000" intake valves and 1.605" exhaust valves
- Special "cast-to-shape" intake ports with a special directional fin for improved air flow
- Precision CNC machined from heat treated aircraft quality aluminum castings



## KIT CONTENTS

- Complete head assembly in Natural or Wrinkle Black (WBlack) with valves and S&S .650" lift springs

**REPLACEMENT PARTS: SEE PAGE 292**

## ASSEMBLED S&S® SUPER STOCK® HEAD KITS

Application	Natural	MSRP	WBlack	MSRP
1991–'03 Sportster® models	<b>90-1310</b>	\$2,414.95	<b>90-1810</b>	\$2,414.95

DISCLAIMER: NOT LEGAL FOR SALE OR USE IN CALIFORNIA ON ANY POLLUTION CONTROLLED MOTOR VEHICLE. Not legal for sale or use on any EPA pollution controlled motor vehicle.

**! THESE KITS REQUIRES SPECIAL S&S PISTONS AND GASKETS.** Order the required piston oversize and gaskets from the charts below.



### 3 3/8" FORGED PISTON KITS FOR S&S® SUPER STOCK® HEADS

Oversize	Low Compression		Intermediate Compression	
+0.010"	<b>92-1081</b>	\$388.95	–	–
+0.020"	–	–	<b>92-1122</b>	\$388.95
+0.030"	<b>92-1083</b>	\$415.95	–	–
+0.040"	<b>92-1084</b>	\$415.95	–	–

Piston kits include set of pistons, rings, wristpins, and clips.  
Loose: 0.0035"–0.0045"

Recommended piston fit: Close: 0.0023"–0.0025"

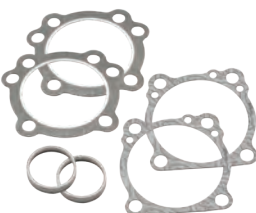
## FOR COMPRESSION RATIOS AND CYLINDER KITS SEE PAGE 262

### 3 1/2" BORE FORGED PISTON KITS FOR S&S® SUPER STOCK® HEADS (10.5:1 COMPRESSION)

Oversize	Deck Height	Part #	MSRP
Standard	1.1875"	<b>92-2016</b>	\$388.95
+0.010"		<b>92-2017</b>	\$388.95
+0.020"		<b>92-2018</b>	\$388.95

Piston kits include set of pistons, rings, wristpins, and clips.

Recommended piston fit: Close: 0.0025"–0.003" Loose: 0.0030"–0.0040"



**90-1907**

### GASKET KITS FOR S&S® SUPER STOCK® CYLINDER HEADS

Bore Size	Part #	MSRP
3 1/2"	<b>90-1907</b>	\$35.95
3 5/8"	<b>90-1908</b>	\$35.95

# CYLINDER HEAD AND MOTOR MOUNTS

## HEAD MOUNTS FOR SPORTSTER® MODELS

Two head mounts are required for 1986–'03 Harley-Davidson® Sportster® models. The center mount is a two-piece design for maximum flexibility. The front mount is one piece and available in two versions according to cylinder length. Machined from ¼" thick steel and provided in a semi-gloss black finish.



93-4055

1986–'03 Sportster® Chassis

### CENTER MOUNT

Fits All Engines	<b>93-4055</b>	\$136.95
------------------	----------------	----------

### FRONT MOUNT

Stock to 5.087" Long Cylinders 16214-86, 16222-86	<b>93-4056</b>	\$92.95
--	----------------	---------

# HEAD BOLTS WITH WASHERS

## HEAD BOLT INFORMATION CHART

Length w/Washer	Washer Thickness	Head Bolt w/Washer	Washers Only
1.690"	.250"	<b>93-3028</b>	\$10.95
1.840"	.150"	<b>93-3027</b>	\$10.95
1.920"	.250"	<b>93-3036</b>	\$15.95
2.070"	.150"	<b>93-3031</b>	\$15.95
2.220"	.250"	<b>93-3038</b>	\$15.95
2.370"	.150"	<b>93-3032</b>	\$15.95
3.134"	.250"	<b>93-3029</b>	\$15.95
3.284"	.150"	<b>93-3030</b>	\$15.95
3.501"	.250"	<b>93-3037*</b>	\$15.95
3.651"	.150"	<b>93-3033*</b>	\$15.95

\*Drilled & tapped deeper to allow shortening for custom lengths.



93-3028

## HEAD BOLT WASHERS

Thickness	Part #	MSRP
.150"	<b>50-0418-S</b>	\$4.95
.250"	<b>50-7091</b>	\$2.95

## HEAD BOLTS FOR 1986–2003 HARLEY-DAVIDSON® SPORTSTER® MODELS

Engine Displacement	Stroke	Cylinder Length	Cylinder Head Type	Short Bolt w/Washer		Long Bolt w/Washer		Head Bolt Kit	
				Part #	MSRP	Part #	MSRP	Part #	MSRP
883/1100/1200cc S&S 79"	3 13/16"	4.650"	S&S 1986-'90 HD®	<b>93-3027</b>	\$10.95	<b>93-3030</b>	\$15.95	<b>93-3010</b>	\$82.95
			1991-Up HD®	<b>93-3027</b>	\$10.95	<b>93-3030</b>	\$15.95	<b>93-3010</b>	\$15.95
S&S 89"	4 1/16"	5.087"	S&S 1986-'90 HD®	<b>93-3038</b>	\$15.95	<b>93-3033</b>	\$15.95	<b>93-3013</b>	\$118.95
			1991-up HD®	<b>93-3032</b>	\$15.95	<b>93-3033</b>	\$15.95	<b>93-3013</b>	\$118.95
S&S 91"	3 5/8"	4.230"	S&S®	<b>93-3028</b>	\$10.95	<b>93-3029</b>	\$15.95	<b>93-3011</b>	\$82.95
S&S 100"	4"	4.420"	S&S®	<b>93-3028</b>	\$10.95	<b>93-3029</b>	\$15.95	<b>93-3011</b>	\$82.95

## CALCULATING CUSTOM HEAD BOLT LENGTHS SEE INSTRUCTIONS ON PAGE 547

Dress up your engine with these magnetic chrome head bolt covers. Easy installation, no tools, no messy adhesives. A powerful magnet holds cover in place, yet allows easy removal. Chrome plated steel looks great on any engine, but is a must for polished engines. For S&S head bolts only.



## CHROME HEAD BOLT COVERS

Set of 4	<b>50-0333</b>	\$69.95
----------	----------------	---------

⚠️ **WARNING:** Cancer and Reproductive Harm –  
www.P65Warnings.ca.gov

All reference to HD® part numbers is for identification purposes only. We in no way are implying that any of S&S Cycle's products are original equipment parts or that they are equivalent to the corresponding HD® part number shown.

# BILLET ROCKER COVERS

## FITMENT

- 1986–'03 Harley-Davidson® Sportster® models
- 1994–'02 Buell® models



## FEATURES AND BENEFITS

- OEM-style "umbrella" fittings are included with billet rocker boxes for 1993–'99 big twin engines with cylinder head venting
- S&S billet rocker covers are available in three finishes: show-quality chrome, or unfinished. Unfinished is ideal for powder coating and other custom cosmetic treatments
- Installation on stock and most comparable sized engines can be performed without removing the engine from the frame

## KIT CONTENTS

- Covers
- Gaskets
- O-rings
- Mounting hardware

## BILLET ROCKER COVER KITS

Finish	Part #	MSRP
Chrome	90-4050 <sup>±</sup> 	\$1,364.95
Unfinished	90-4055 	\$1,049.95

<sup>±</sup>  WARNING: Cancer and Reproductive Harm – [www.P65Warnings.ca.gov](http://www.P65Warnings.ca.gov)

## REPLACEMENT GASKET KIT

Description	Part #	MSRP
Includes gaskets for two rocker covers	90-4049	\$73.95

## NOTES

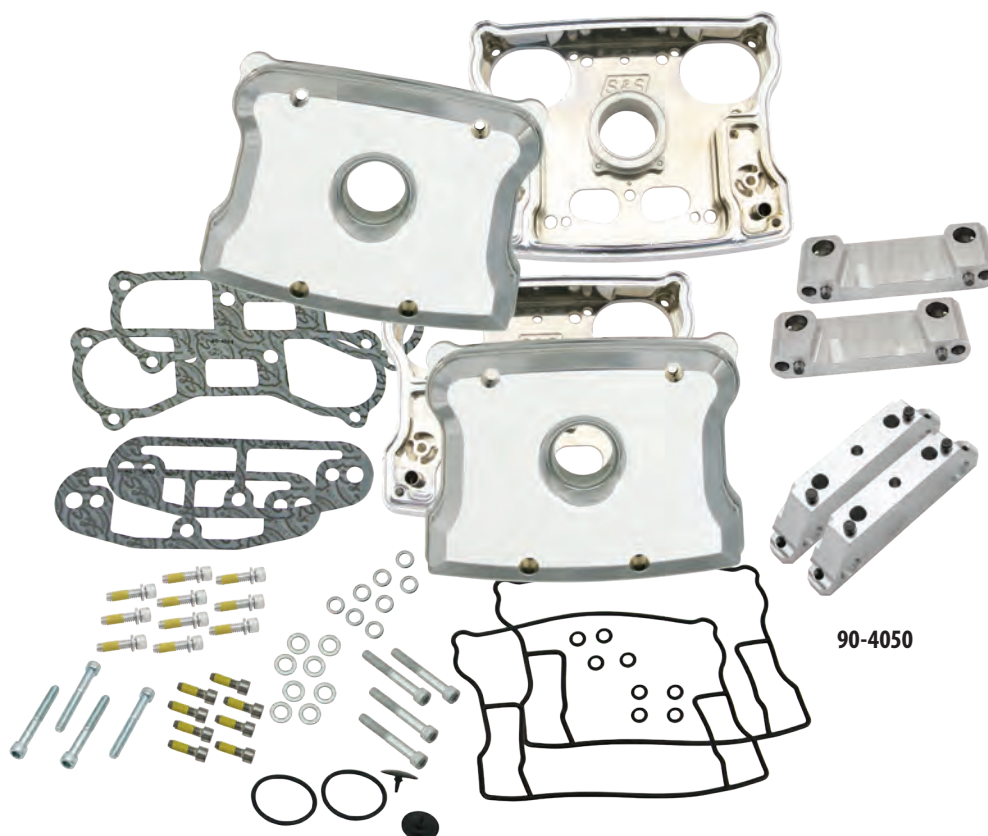
The performance-oriented design of the billet rocker boxes permits valve lifts up to .710" with stock or S&S Super Stock® heads, and up to .810" with S&S Special Application heads. S&S roller rocker arms are recommended for high lift cams.

S&S billet rocker covers accept valve springs up to 1.660" O.D. without modification. Cylinder heads must be set up correctly for high-lift cams, and it remains the builder's responsibility to confirm all clearances.

Kits include front and rear cover assemblies with base and top cover, rocker shaft supports, gaskets and o-rings, and instructions

**REPLACEMENT PARTS: SEE PAGE 294**

**ANY JOB IS EASY WITH THE RIGHT TOOLS**  
**S&S ROCKER COVER WRENCH SET, PAGE 519**



# SUPER E & G COMPLETE CARBURETOR KITS

## FITMENT

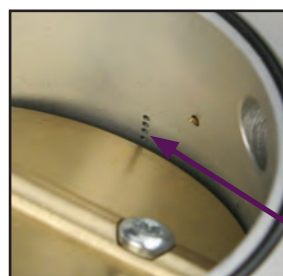
- 1986–'06 Harley-Davidson® Sportster® models
- 1994–'02 Buell® models

## FEATURES AND BENEFITS

- Four fuel delivery ports – Better throttle response
- O-ring sealed idle mixture screw
- Increased air flow for more power
- Adjustable accelerator pump for quick throttle response and easy starting
- Utilization of the factory dual cable system ensures safe operation
- Direct replacement and high quality fit and finish – less down time and better performance
- Variable position enrichment starting system

## KIT CONTENTS

- FULL KIT (For engines with stock length cylinders)
  - Super E/G carburetor
  - S&S intake manifold (stock length)
  - Classic Teardrop air cleaner kit
  - Mounting hardware and gaskets
  - Instructions
- Partial Kit
  - Super E carburetor
  - Classic Teardrop air cleaner
  - Mounting hardware
  - Gaskets
  - Instructions



As the throttle plate opens, it exposes more of these holes to engine vacuum and delivers more fuel as rpm increases. When you run out of holes in the intermediate system, the main jet comes in and handles fuel delivery for the higher rpm.

**REPLACEMENT PARTS: SEE PAGE 304**

## SUPER E & G COMPLETE CARBURETOR KITS

Models	Super E	MSRP
2004–'06 Sportster® models	<b>11-0470</b>	\$640.95
1991–'03 Sportster models	<b>11-0409</b>	\$640.95
1986–'90 Sportster models	<b>11-0408</b>	\$640.95

## SUPER E PARTIAL KIT (NO MANIFOLD)

Models	Part #	MSRP
1991–'03 Sportster® models	<b>11-0443</b>	\$577.95
1986–'90 Sportster models	<b>11-0440</b>	\$577.95

## SUPER E & G CARBURETOR ONLY

Fitment	Super E	MSRP	Super G	MSRP
All Years & Models	<b>11-0420</b>	\$384.95	<b>11-0421</b>	\$419.95

## NOTES

Due to inadequate frame clearance, the taller throttle bracket cannot be used on 1986–'03 Harley-Davidson® Sportster® chassis. Therefore, these Sportster models require the installation of earlier butterfly style throttle cables. Kits for 2004–'06 Sportster models are compatible with stock throttle cables.

S&S® does not recommend polishing or chrome plating Super E & G carburetors. Our repair department has seen many carbs with plugged passages due to polishing compounds, and some carbs have been destroyed because the polishing or chrome plating had altered critical machined surfaces.

Recommended for closed circuit use only—S&S Super E & G carburetors shown in this catalog section are not approved for use on motor vehicles operated on California public highways, or in other states where similar pollution laws may apply. The user shall determine the suitability of the product for his or her use and shall assume all risk and liability in connection therewith.

1998-up Buell® models require the use of 1996–'97 throttle assembly.

S&S throttle cables must be used for all Buell applications.

DISCLAIMER: NOT LEGAL FOR SALE OR USE IN CALIFORNIA ON ANY POLLUTION CONTROLLED MOTOR VEHICLE. Not legal for sale or use on any EPA pollution controlled motor vehicle.



# BLACK SUPER E & G CARBURETORS

## FEATURES AND BENEFITS

- Exclusive black coating — heat and chemical resistant
- Offered in standard venturi or increased venturi diameter — specially machined for 7% more flow

### BLACK CARBURETORS FOR 1986-2006 XL MODELS

	Description	Part #	MSRP
Increased venturi diameter <i>(7% more flow)</i>	Super E Carb	<b>110-0099</b>	\$424.95
	Super G Carb	<b>110-0100</b>	\$451.95
Standard venturi diameter	Super E Carb	<b>110-0133</b>	\$440.95
	Super G Carb	<b>110-0138</b>	\$440.95

DISCLAIMER: NOT LEGAL FOR SALE OR USE IN CALIFORNIA ON ANY POLLUTION CONTROLLED MOTOR VEHICLE. Not legal for sale or use on any EPA pollution controlled motor vehicle.



## NOTE

These black carb kits do not include air cleaners. Air cleaner options are on page 298

# RIGID CARB SUPPORT BRACKETS

## FITMENT

- 1986–'03 Harley-Davidson® Sportster® models, 1994-'02 Buell® models

### SUPPORT BRACKET, AIR CLEANER TO HEAD

Application	Stock Carb and S&S Air Cleaner	
	Part #	MSRP
1986–'03 Sportster® & 1994–'02 Buell® models	<b>17-0311</b>	\$44.95



# BREATHER CONVERSION KIT

## FITMENT

- 1991–'03 Harley-Davidson® Sportster®

## FEATURES AND BENEFITS

- Instead of o-rings, banjo fittings are sealed with durable silicon coated washers

### BREATHER CONVERSION KIT

Fitment	Part #	MSRP
Super E 1 7/8" Carb	<b>17-0487</b>	\$54.95



17-0487

Breather conversion kit for XL engines updates earlier S&S® air cleaner kits for 1991-'03 Sportster® models to the latest breather hardware.

# TWO CABLE THROTTLE ASSEMBLIES

Harley-Davidson® Sportster® models 1987–'03 originally fitted with a constant velocity (CV) carb require conversion to butterfly style throttle cables to work with the S&S butterfly type carburetor. The throttle cables shown in the chart below are designed for this application. S&S Super E carb kits for 2004–'06 Sportster models are designed to accept the stock throttle cables.

### FITMENT

- 1986–'03 Harley-Davidson® Sportster® models
- 1996–'02 Buell® models



### S&S® THROTTLE CABLE APPLICATION CHART

Application	Fastening Method	Length Total Housing	Length Vinyl Housing	Open Side	MSRP	Close Side	MSRP
1996–'03	Snap-in	36"	32"	<b>19-0436</b>	\$62.95	<b>19-0437</b>	\$62.95
1986–'95	Threaded	36"	32"	<b>19-0432</b>	\$62.95	<b>19-0433</b>	\$62.95
1996–up Custom	Snap-in	42"	38"	<b>19-0440</b>	\$62.95	<b>19-0441</b>	\$62.95
1986–'95	Threaded	42"	38"	<b>19-0446</b>	\$62.95	<b>19-0447</b>	\$62.95

\*1998 and later required Harley-Davidson® throttle assembly #71831-96

### REPLACEMENT PARTS

Description	Part #	MSRP
S&S Universal Throttle Cable	<b>106-3520</b>	\$33.95
Throttle Grip Clamp Set 1985–'95	<b>106-3519</b>	\$38.95
Top Throttle Grip Clamp only	<b>19-0222</b>	\$16.95
Bottom Throttle Grip Clamp only	<b>19-0220</b>	\$16.95
Throttle Grip Clamp Screw <i>(Fits S&amp;S throttle assemblies: Part #19-0448, #19-0449, #19-0482, #19-0450, and #19-0229)</i>	<b>50-0043</b>	\$3.95
Throttle Grip Set	<b>106-3521</b>	\$60.95
Right Hand Grip only	<b>19-0225</b>	\$37.95
Left Hand Grip only	<b>19-0226</b>	\$25.95
Cable Adjuster Fits S&S throttle assembly part #19-0229.	<b>19-0223</b>	\$4.95
Cable Adjuster Jam Nut Fits S&S throttle assembly part #19-0229	<b>19-0227</b>	\$0.95
Handlebar Spacing Sleeve 4" x 1" O.D. – converts 7/8" handlebars to 1" O.D.	<b>19-0235</b>	\$18.95



## NOTES

The chart on this page is used only when using throttle cable bracket part #11-2339. This bracket is standard on all S&S® Super E & G carburetor kits for Harley-Davidson® Sportster® models with the exception of the kit for 2004–'06 models.

1987–'03 Sportster models originally fitted with a constant velocity (CV) carb require conversion to butterfly style throttle cables to work with the S&S butterfly type carburetor. S&S Super E carb kits for 2004–'06 Sportster models are designed to accept the stock throttle cables.

Milwaukee  
Eight  
2007-2017  
Twin Cam  
96"/103"/110"  
1999-2006  
Twin Cam 88"  
1986-2019  
Sportster® & Buell®  
2014-2019  
Street &  
Street Rod™  
1984-1999  
Evolution®  
1926-1984  
Vintage Engines  
Indian® &  
Victory® Models  
Tools  
& Shop Supplies  
Apparel  
Warranty &  
Company Policy  
& Index

# JETS & CARB REBUILD KITS FOR S&S SUPER E & G CARBURETORS

For those who need to rejet their carburetor because of engine modifications, exhaust modifications, or changes in altitude, we have extra jet kits available which are designed to cover most jetting situations.

## DEALER JET KITS±

Description	Part #	MSRP
S&S Carb Parts Kit (Contains needed parts to maintain S&S Super E and G carburetors)	<b>11-3103</b>	\$373.95
S&S Jet Kit (Includes 3 each of all intermediate jets and 5 each of all main jets, plus a main jet tool)	<b>11-3102</b>	\$348.95

± ⚠️ WARNING: Cancer and Reproductive Harm – www.P65Warnings.ca.gov

## JET PACKS±

Description	Part #	MSRP
<b>Low Range Jet Pack</b> – For jetting most stock and moderate performance engines.		
Includes one each intermediate jets (.025", .0265", .028", .0295") one each main jets (.062", .064", .066", .068", .070", .072", .074")	<b>11-7270</b>	\$52.95
<b>High Range Jet Pack</b> – For jetting some stock and all performance engines		
Includes one each intermediate jets (.0295", .031", .032", .033") and one each main jets (.072", .074", .076", .078", .080", .082", .084")	<b>11-7271</b>	\$52.95
<b>Master Jet Pack</b> – For jetting all Super B, E, and G equipped engines		
Includes one each intermediate jets (.025", .0265", .028", .0295", .031", .032", .033") and one each main jets (.062", .064", .066", .068", .070", .072", .074", .076", .078", .080", .082", .084")	<b>11-7272</b>	\$89.95

± ⚠️ WARNING: Cancer and Reproductive Harm – www.P65Warnings.ca.gov

## INTERMEDIATE JETS - SERIES #94 INDIVIDUAL SELECTION±

Size	QTY	Part #	MSRP	Size	QTY	Part #	MSRP
.025	each	<b>11-0250</b>	\$10.95	.032	each	<b>11-0320</b>	\$10.95
	3 pack	<b>11-7107</b>	\$27.95		3 pack	<b>11-7112</b>	\$27.95
.0265	each	<b>11-0265</b>	\$10.95	.033	each	<b>11-0330</b>	\$10.95
	3 pack	<b>11-7108</b>	\$27.95		3 pack	<b>11-7113</b>	\$27.95
.028	each	<b>11-0280</b>	\$10.95	.036	each	<b>11-0360</b>	\$10.95
	3 pack	<b>11-7109</b>	\$27.95		3 pack	<b>11-7114</b>	\$27.95
.0295	each	<b>11-0295</b>	\$10.95	.040	each	<b>11-0400</b>	\$10.95
	3 pack	<b>11-7110</b>	\$27.95		3 pack	<b>11-7115</b>	\$27.95
.031	each	<b>11-0310</b>	\$10.95	Blank	each	<b>11-0000</b>	\$9.95
	3 pack	<b>11-7111</b>	\$27.95				

± ⚠️ WARNING: Cancer and Reproductive Harm – www.P65Warnings.ca.gov

Early Series #94 gas jets were stamped with single digit numbers. Conversions for these numbers are:

- |        |       |        |       |
|--------|-------|--------|-------|
| 1..... | .025" | 4..... | .033" |
| 2..... | .028" | 5..... | .036" |
| 3..... | .031" | 6..... | .040" |



11-3103±



11-3102±



11-7272±

106-3517±

## NOTES

No returns or exchanges on jets.  
Refer to Section 10: Racing for the S&S fuel and turbo carburetors.

# 1986–2019 HD® Sportster® Models

## MAIN JETS - SERIES #72 INDIVIDUAL SIZE SELECTION<sup>±</sup>

Size	QTY	Part #	MSRP	Size	QTY	Part #	MSRP
.040	each	11-4040	\$9.95	.080	each	11-4080	\$9.95
	5 pack	11-7220	\$38.95		5 pack	11-7240	\$38.95
.042	each	11-4042	\$9.95	.082	each	11-4082	\$9.95
	5 pack	11-7221	\$38.95		5 pack	11-7241	\$38.95
.044	each	11-4044	\$9.95	.084	each	11-4084	\$9.95
	5 pack	11-7222	\$38.95		5 pack	11-7242	\$38.95
.046	each	11-4046	\$9.95	.086	each	11-4086	\$9.95
	5 pack	11-7223	\$38.95		5 pack	11-7243	\$38.95
.048	each	11-4048	\$9.95	.088	each	11-4088	\$9.95
	5 pack	11-7224	\$38.95		5 pack	11-7244	\$38.95
.050	each	11-4050	\$9.95	.090	each	11-4090	\$9.95
	5 pack	11-7225	\$38.95		5 pack	11-7245	\$38.95
.052	each	11-4052	\$9.95	.092	each	11-4092	\$9.95
	5 pack	11-7226	\$38.95		5 pack	11-7246	\$38.95
.054	each	11-4054	\$9.95	.094	each	11-4094	\$9.95
	5 pack	11-7227	\$38.95		5 pack	11-7247	\$38.95
.056	each	11-4056	\$9.95	.096	each	11-4096	\$9.95
	5 pack	11-7228	\$38.95		5 pack	11-7248	\$38.95
.058	each	11-4058	\$9.95	.098	each	11-4098	\$9.95
	5 pack	11-7229	\$38.95		5 pack	11-7249	\$38.95
.060	each	11-4060	\$9.95	.100	each	11-4100	\$9.95
	5 pack	11-7230	\$38.95		5 pack	11-7250	\$38.95
.062	each	11-4062	\$9.95	.102	each	11-4102	\$9.95
	5 pack	11-7231	\$38.95		5 pack	11-7251	\$38.95
.064	each	11-4064	\$9.95	.104	each	11-4104	\$9.95
	5 pack	11-7232	\$38.95		5 pack	11-7252	\$38.95
.066	each	11-4066	\$9.95	.106	each	11-4106	\$9.95
	5 pack	11-7233	\$38.95				
.070	each	11-4070	\$9.95	.110	each	11-4110	\$9.95
	5 pack	11-7235	\$38.95		5 pack	11-7255	\$38.95
.072	each	11-4072	\$9.95	.115	each	11-4115	\$9.95
	5 pack	11-7236	\$38.95		5 pack	11-7256	\$38.95
.074	each	11-4074	\$9.95	.120	each	11-4120	\$9.95
	5 pack	11-7237	\$38.95		5 pack	11-7257	\$38.95
.076	each	11-4076	\$9.95				
	5 pack	11-7238	\$38.95				
.078	each	11-4078	\$9.95				
	5 pack	11-7239	\$38.95				

<sup>±</sup> ⚠️ WARNING: Cancer and Reproductive Harm — www.P65Warnings.ca.gov

## MAIN JET AIR BLEED KIT<sup>±</sup> (One Jet Each Size)

Sizes	Part #	MSRP
.042" — .060"	106-3517	\$70.95
.084" — .120"	106-3518	\$56.95

<sup>±</sup> ⚠️ WARNING: Cancer and Reproductive Harm — www.P65Warnings.ca.gov

## S&S® CARBURETOR REBUILD KITS

To insure that you continue to get the utmost in performance from your S&S carburetor, we have put together a series of rebuild kits that are designed to provide the proper parts to return a worn carburetor to top shape. We have assembled different types of kits to cover the different degrees of rebuild necessary.

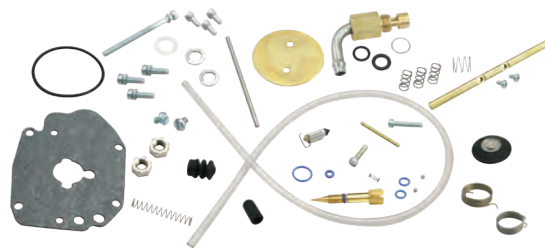
### MASTER REBUILD KITS

Master rebuild kits contain a body rebuild kit, accelerator pump rebuild kit (Super E and G only), all new fasteners, springs, idle mixture screw, seat, and needle assembly. Everything needed to completely rebuild one carburetor.

#### MASTER REBUILD KIT<sup>±</sup>

Description	Part #	MSRP
Super E	11-2923	\$89.95
Super G	11-2924	\$89.95

<sup>±</sup> ⚠️ WARNING: Cancer and Reproductive Harm — www.P65Warnings.ca.gov



11-2923

### BODY REBUILD KITS

Body rebuild kits for Super E and G carbs also contain throttle shaft nuts, nylon washers, accelerator pump o-ring, and accelerator pump boot. Body rebuild kits for Super E and G carbs do not contain throttle shaft bushings since these carbs have stainless steel throttle shaft bushings already installed.

#### BODY REBUILD KIT<sup>±</sup>

Description	Part #	MSRP
Super E	11-2906	\$45.95
Super G	11-2907	\$45.95



11-2907

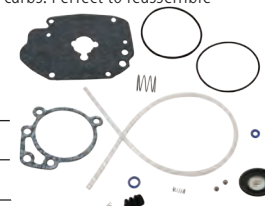
<sup>±</sup> ⚠️ WARNING: Cancer and Reproductive Harm — www.P65Warnings.ca.gov

### BASIC REBUILD KIT

A gasket and seal kit for low mileage Super E & G carbs. Perfect to reassemble carbs taken apart for inspection and cleaning.

#### BASIC REBUILD KIT<sup>±</sup>

Description	Part #	MSRP
Super E & G	110-0067	\$38.95



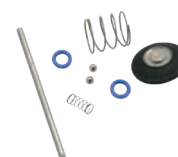
<sup>±</sup> ⚠️ WARNING: Cancer and Reproductive Harm — www.P65Warnings.ca.gov

### ACCELERATOR PUMP REBUILD KITS

Accelerator pump rebuild kits contain diaphragm, diaphragm spring, check balls, check ball spring, pump pushrod, and required hardware and o-rings.

#### ACCELERATOR PUMP REBUILD KIT

Description	Part #	MSRP
Super E & G	11-2918	\$21.95



# MANIFOLD CONVERSION KITS

## FITMENT

- 1986–'03 Harley-Davidson® Sportster® models
- Can be used with S&S Super B and Super E carburetors, as well as stock carburetors with a two-bolt mounting pattern

## FEATURES AND BENEFITS

- Increased airflow
- Eliminates the possibility of severe engine damage due to extreme lean conditions created by cracks in stock rubber manifolds

## KIT CONTENTS

- Manifold
- Front and rear mounting flanges
- Manifold o-rings
- Aluminum spacer shims



16-1650

## MANIFOLD CONVERSION KITS FOR SPORTSTER® MODELS

Year	Cylinder Length	Size No.	Part #	MSRP
1986–'03	4.650"	341	<b>16-1650*</b>	\$209.95

\*Fits S&S ES, LS, Super B, Super E, Tillotson®, Bendix®, Keihin®

## NOTES

These manifolds may change the way a stock carburetor and air cleaner assembly fit. This means that these components may require shimming and/or a slight change in mount bracketing.

S&S style o-rings must be used with these manifolds. S&S o-rings are slightly thinner to accommodate the larger S&S port diameter. Use of stock o-rings may damage the manifold.

## REPLACEMENT PARTS MANIFOLD CONVERSION KIT

Description	Part #	MSRP	
Manifold	<b>16-1620</b>	\$104.95	
Flanges	Front 27009-86A	each <b>16-0232</b>	\$41.95
		5 pack <b>16-0600</b>	\$199.95
	Rear 27010-86A	each <b>16-0233</b>	\$41.95
		5 pack <b>16-0601</b>	\$199.95
Set (Front & Rear)	<b>106-3516</b>	\$62.95	
O-rings	each <b>16-0235</b>	\$6.95	
	5 pack <b>16-0243</b>	\$48.95	
0.350" Spacers	<b>50-7044</b>	\$2.95	

# INTAKE MANIFOLDS

## FITMENT

- 1986-'06 Harley-Davidson® Sportster® models
- S&S carburetors and other carbs with the same mounting bolt pattern

## FEATURES AND BENEFITS

- Increases airflow

## MANIFOLDS FOR 2004–'06 HARLEY-DAVIDSON® SPORTSTER® MODELS

Displacement	Cylinder Length	Size No.	S&S Super E	MSRP
1200cc	Stock (4.650")	335	<b>16-1519*</b>	\$105.95
Special Order**	Specify	–	<b>169-0003</b>	\$123.95

\*Replacement for manifold supplied in S&S part #11-0470 Super E carb kit. 1 7/8" bore.

\*\*Special Order: Download the Special Order Form at [sscycle.com/soforms](http://sscycle.com/soforms)



16-1620



16-1519

## REPLACEMENT PARTS FOR MANIFOLDS

Description	Part #	MSRP
Manifold Fitting VOES Rubber Cap, 3/16" I.D. x 3/16" O.D. x 1/2"	<b>50-8372</b>	\$2.95
Manifold Vacuum Fitting	<b>16-0136-S</b>	\$3.95



## MANIFOLDS FOR 1986–'03 HARLEY-DAVIDSON® SPORTSTER® MODELS

S&S Engine Kit Displacement	Cylinder Length	Size No.	Carburetor Type					
			S&S ES, LS, Super A, B, E, Tillotson®, Bendix®, Keihin®		Super G		Super D	
883cc, 1100cc, 1200cc, 79"	Stock (4.650")	341	<b>16-1620</b>	\$104.95	<b>16-2520</b>	\$125.95	–	–
100"	4.420"	357	–	–	<b>16-2559</b>	\$125.95	–	–
103"	5.750"	426	–	–	<b>16-2532</b>	\$125.95	–	–
Special Order*	Specify	–	<b>169-0003</b>	Call for Pricing	<b>169-0004</b>	Call for Pricing	<b>169-0005</b>	Call for Pricing

Manifolds available in 1 7/8", 2 1/8", or 2 1/4" bore.

\*Special Order: Download the Special Order Form at [sscycle.com/soforms](http://sscycle.com/soforms)

# MANIFOLDS FOR 1994–'02 BUELL® MODELS

## MANIFOLDS FOR 1994–'02 HARLEY-DAVIDSON® BUELL® MODELS

Engine Displacement	Cylinder Length	Ssize Number	Super E		Super G	
			Part #	MSRP	Part #	MSRP
1200cc, 79"	Stock - 4.650"	341	<b>16-1520</b>	\$105.95	–	–
S&S SB100	4.420"	357	–	–	<b>16-2569</b>	\$105.95
Special Order*	Specify	–	<b>169-0003</b>	Call for Pricing	<b>169-0004</b>	Call for Pricing

\*Special Order: Download the Special Order Form at [sscycle.com/soforms](http://sscycle.com/soforms)



16-1520

## NOTES

S&S manifolds for Buell models are not interchangeable with manifolds for Harley-Davidson® Sportster® models as they position the carburetor about ¼" higher. This change in position will cause misalignment of mounting hardware.

S&S style o-rings must be used with these manifolds. S&S o-rings are slightly thinner to accommodate the larger S&S port diameter. Use of stock o-rings may damage the manifold.

# HIGH OUTPUT COILS



55-1576



55-1571

## HIGH OUTPUT COILS

S&S High Output 3.0Ω Single Fire Coil	Part #	MSRP
<i>The perfect complement for S&amp;S IST ignition systems. This single fire coil is actually two separate coils in a single package. Coil impedance is 3Ω per coil.</i>	<b>55-1571</b>	\$161.95
S&S High Output 0.5Ω Single Fire Coil <sup>USA</sup>	<b>55-1576</b>	\$139.95
<i>High output 0.5Ω single fire coil for S&amp;S IST ignition. 55-1571</i>		

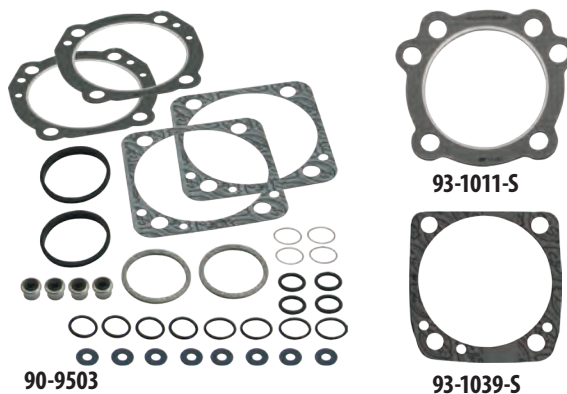
# GASKETS

## TOP END GASKET KITS FOR S&S SB-SERIES ENGINES 1986-'03

4"		<b>90-9503</b>	\$70.95
3 5/8"		<b>90-9509</b>	\$73.95

## CYLINDER HEAD, BASE & EXHAUST GASKET KITS FOR S&S SB-SERIES ENGINES 1986-'03

4"	.043" Micropore	<b>90-1909</b>	\$38.95
3 5/8"	.045" Micropore	<b>90-1908</b>	\$35.95
3 1/2"	.045" Micropore	<b>90-1907</b>	\$35.95
	.030" Layered Steel	<b>900-0532</b>	\$59.95



## HEAD GASKETS

4"	.043" Micropore	each	<b>93-1040-S</b>	\$12.95
		2 pack	<b>930-0087</b>	\$20.95
		10 pack	<b>93-1071</b>	\$125.95
3 5/8"	.045" Micropore	each	<b>93-1037-S</b>	\$10.95
		2 pack	<b>930-0091</b>	\$20.95
		10 pack	<b>93-1052</b>	\$125.95
	.0625" Micropore	each	<b>93-1016-S</b>	\$15.95
		2 pack	<b>930-0097</b>	\$31.95
		10 pack	<b>93-1053</b>	\$157.95
3 1/2"	.045" Micropore 16770-84D, 16770-84F	each	<b>93-1011-S</b>	\$13.95
		2 pack	<b>930-0098</b>	\$20.95
		10 pack	<b>93-1024</b>	\$136.95
	.0625" Micropore 16770-84D, 16770-84F, 10773-85	each	<b>93-1313-S</b>	\$15.95
		10 pack	<b>93-1051</b>	\$157.95
	.030" Layered Steel	each	<b>900-0530</b>	\$24.95

## BASE GASKETS AND O-RINGS

4"	.018" Micropore	each	<b>93-1031-S</b>	\$5.95
		2 pack	<b>930-0094</b>	\$9.95
		10 pack	<b>93-1067</b>	\$42.95
3 5/8"	.018" Micropore	each	<b>93-1039-S</b>	\$4.95
3 1/2"	.018" Micropore 16777-83A, 16774-86D	each	<b>93-1038-S</b>	\$4.95

## EXHAUST GASKETS

1986–2003 Sportster Models 65324-83B, 65324-83A	each	<b>106-5029</b>	\$4.95
	10 pack	<b>93-1072</b>	\$47.95

## VALVE GUIDE SEALS

1986–2003 Sportster Models	each	<b>900-0338</b>	\$2.95
----------------------------	------	-----------------	--------

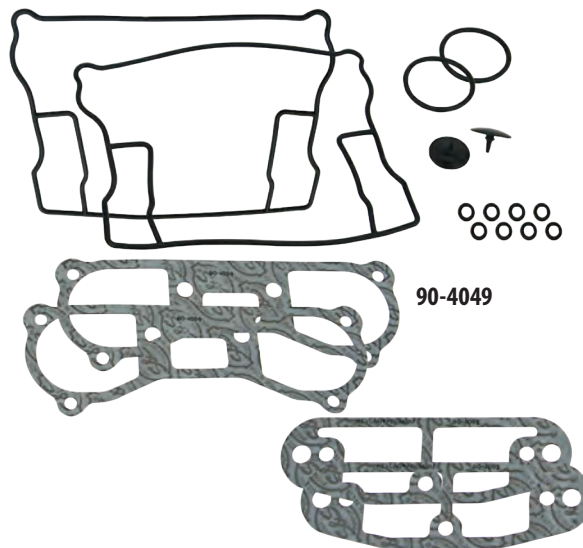
## ROCKER BOX GASKET KITS AND INDIVIDUAL GASKETS

### S&S Billet

Gasket Kit		<b>90-4049</b>	\$73.95
O-ring, (-223), 1.625" ID x 1.875" OD, Viton®	each	<b>50-8044</b>	\$2.95
Seal, Umbrella Valve Cover 26856-89, 26856-89A		<b>90-4030</b>	\$2.95
Gasket, Rocker Cover, S&S® Billet, O-ring, 1986–2003 xl		<b>90-4048</b>	\$15.95
Gasket, Bottom, Rocker Cover, 1986–2003 xl	each	<b>900-0538</b>	\$12.95
	2 pack	<b>900-0592</b>	\$26.95
Gasket, Kit, Rocker Box, 1986-'90 xl 17026-91A		<b>900-0773</b>	\$73.95
Gasket, Kit, Rocker Box, 1991–2003 xl 17026-91A		<b>900-0774</b>	\$73.95
Gasket, Kit, Rocker Box, 2004-'06 xl		<b>900-0775</b>	\$73.95
Gasket, Kit, Rocker Box, 2007-up xl		<b>900-0776</b>	\$73.95

## LOWER END GASKETS AND SEALS

Gearcover gasket	each	<b>31-2052</b>	\$7.95
Camshaft Oil Seals, 1971 - up 11124		<b>31-4051</b>	\$17.95



All reference to HD® part numbers is for identification purposes only. We in no way are implying that any of S&S® Cycle's products are original equipment parts or that they are equivalent to the corresponding H-D part number shown.

# 1986–2019 HD® Sportster® Models

## TAPPET GUIDE O-RINGS

1" I.D. x 1 <sup>3</sup> / <sub>16</sub> " O.D. x 3 <sup>3</sup> / <sub>32</sub> " CS (upper) 11167	each	<b>50-8004</b>	\$2.95
1" I.D. x 1 <sup>1</sup> / <sub>8</sub> " O.D. x 1 <sup>1</sup> / <sub>16</sub> " CS (lower) 11168A	each	<b>50-8005</b>	\$2.95
3 <sup>3</sup> / <sub>8</sub> " I.D. x 1 <sup>1</sup> / <sub>2</sub> " O.D. x 1 <sup>1</sup> / <sub>16</sub> " CS (oil hole) 11110	each	<b>50-8006</b>	\$2.95
	10 pack	<b>50-8077</b>	\$7.95

## PUSHROD O-RINGS


O-ring, Kit, Pushrod Cover, 1986–2003 xl		<b>93-4022</b>	\$7.95
Top O-ring 11293, 11157, 11101, 11190	each	<b>50-8039</b>	\$2.95
Middle O-ring 11132A	each	<b>50-8038</b>	\$2.95
Bottom O-ring 11145A	each	<b>50-8037</b>	\$2.95

## SPROCKET SHAFT SEAL

1991–'03 35151-74A	<b>31-4060</b>	\$17.95
1991–'03 S&S SA cases, BT style 12026B	<b>31-4010</b>	\$8.95

## FUEL SYSTEM GASKETS

### Manifold Seals

S&S Manifold O-ring	each	<b>16-0235</b>	\$6.95
	10 pack	<b>16-0243</b>	\$48.95
Stock Manifold O-ring  26995-86B, 26995-86A, 26992-99	each	<b>16-0236</b>	\$5.95
	10 pack	<b>16-0244</b>	\$42.95
Cap, rubber, manifold, fitting		<b>50-8372</b>	\$2.95

## CLASSIC TEARDROP AIR CLEANER

Back Plate gasket	each	<b>106-1724</b>	\$3.95
	10 pack	<b>106-2328</b>	\$26.95
Vent seal washers silicone coated steel 1/2"	each	<b>50-7054</b>	\$2.95
	10 pack	<b>50-7059</b>	\$12.95

## STEALTH AIR CLEANER

Back Plate gasket			
Stock CV Carb & EFI Throttle Body, 1991–up xl 29062-95B		<b>106-6022</b>	\$3.95
Super E/G.	each	<b>106-1724</b>	\$3.95
	10 pack	<b>106-2328</b>	\$26.95
For Muscle air cleaner (includes lanyards)		<b>170-0137</b>	\$24.95
Vent seal washers Nitrile Rubber Coated, 520" x .880" x .024" xl 1991–'06	each	<b>50-7055</b>	\$2.95
	10 pack	<b>50-7057</b>	\$12.95



## SINGLE BORE TUNED INDUCTION SYSTEM

### Back Plate gasket

Gasket, Backplate - E/G/SBEFI	each	<b>106-1724</b>	\$3.95
	10 pack	<b>106-2328</b>	\$26.95
Gasket, S&S SBEFI 58mm		<b>106-4662</b>	\$5.95
Gasket, Stock carb/Throttle Body 29062-95B		<b>106-6022</b>	\$3.95
Adaptor plate gasket		<b>17-1022</b>	\$5.95
Adaptor plate bracket o-ring	each	<b>50-0446</b>	\$3.95

## CARBURETOR GASKETS

Bowl Gasket, Super E & G		<b>11-2386</b>	\$3.95	
Pump cap o-ring - (two required)	each	<b>50-8012</b>	\$2.95	
	10 Pack	<b>50-8100</b>	\$11.95	
Idle Mixture Needle o-ring	each	<b>500-0036</b>	\$2.95	
	10 pack	<b>500-0148</b>	\$7.95	
Bellows Seal, Accelerator Pump		<b>11-2266</b>	\$4.95	
Accelerator pump diaphragm		<b>11-2282</b>	\$15.95	
Manifold to carb orings various sizes	Super E	each	<b>50-8016</b>	\$2.95
		10 pack	<b>50-8094</b>	\$10.95
	Super G	each	<b>50-8015</b>	\$2.95
		10 pack	<b>50-8093</b>	\$10.95
Seat and bowl plug o-ring	each	<b>50-8009</b>	\$2.95	
	10 pack	<b>50-8095</b>	\$13.95	

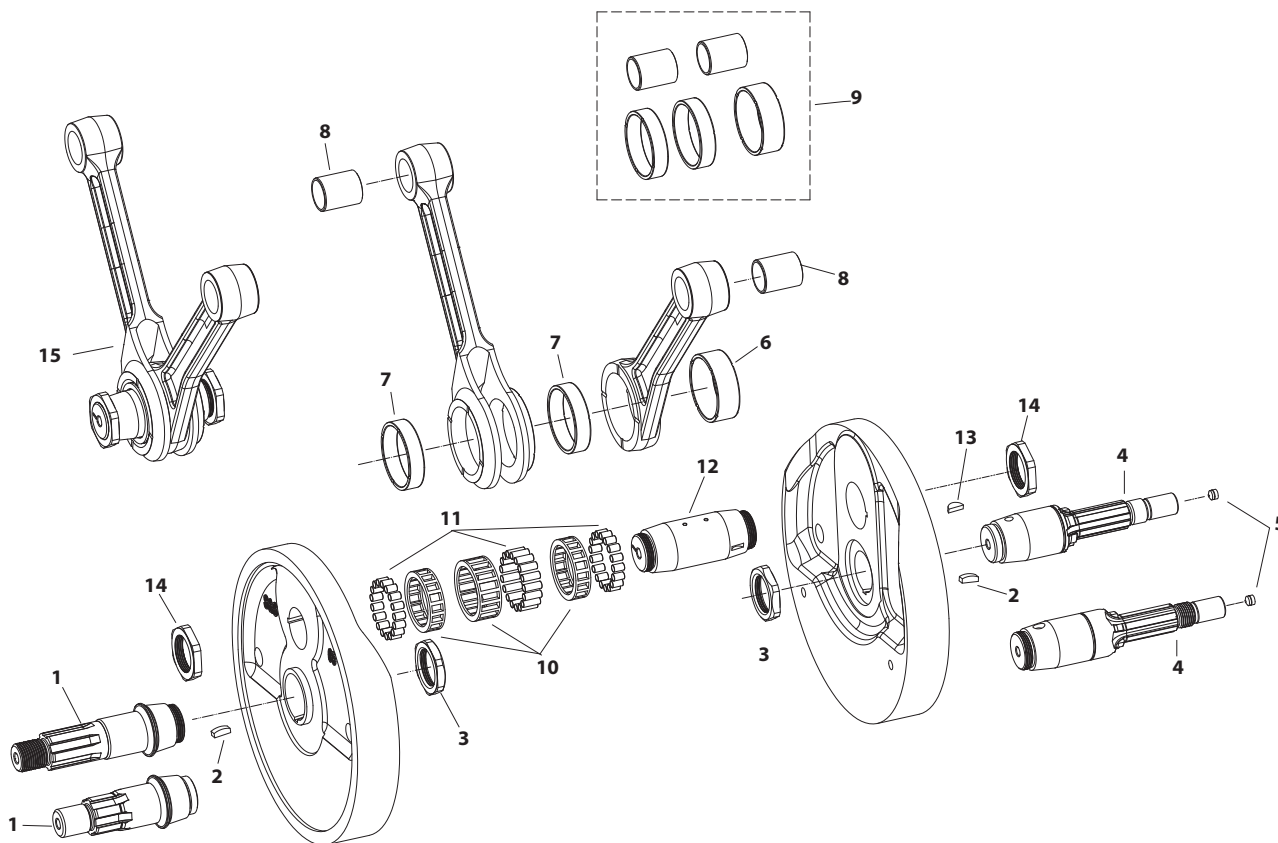




# FLYWHEEL REPLACEMENT PARTS

1. Sprocket Shaft (includes #2 & 3)  
1986–1990 xl w/ S&S D/SB/SBD/SC/SCD/SCDR/SCR flywheels. . . . . **33-2302** \$183.95  
1991–2003 xl w/ S&S D flywheels & 1994–1999 Buell **33-2303** \$192.95
2. Key (each) . . . . . **50-8224** \$7.95
3. Nut . . . . . **33-2331** \$7.95
4. Pinion Shaft 1986–2003 xl (includes #2, 3, 5)  
w/S&S D/DR flywheels / 1994–1999 Buell . . . . . **33-2325** \$262.95  
w/S&S D/DR/DF flywheels – Special Application, +.500" . . . . . **33-2329** \$262.95
5. Meter Plug–  
.0625" hole . . . . . **50-8316±** \$5.95  
no hole – Special application . . . . . **50-8314±** \$2.95
6. Front Rod Race 24352-52A. . . . . **34-4505** \$83.95
7. Rear Rod Race 24341-52A . . . . . **34-4506** \$69.95
8. Wrist Pin Bushing  
.767" x .895" x .950" 24331-36  
(for use with Heavy Duty Rods) . . . . . **34-4507** \$11.95  
.767" x .895" x 1.077" 24334-36  
(for use with Supreme Rods) . . . . . **34-4007** \$6.95
9. Race and Bushing Set (includes #6, 7, 8)  
(for use with Heavy Duty Rods) . . . . . **34-4540** \$157.95
10. Alloy Bearing Cage Set . . . . . **34-4520** \$57.95
11. Bearing Set  
Standard 24354-87A . . . . . **34-4521** \$83.95
12. Crankpin (includes #13 & 14) Late 1981–1999 Sportster  
Standard 23960-80A . . . . . **34-2602** \$135.95  
.001" OS 23948-87 . . . . . **34-2603** \$135.95  
.002" OS 23949-87 . . . . . **34-2605** \$135.95
13. Crankpin Key late 1981–1999 Sportster / 1994–1999 Buell 11218  
each . . . . . **50-8222-S** \$2.95  
5 pack . . . . . **50-1009** \$8.95
14. Crankpin Nut . . . . . **34-2504** \$13.95
15. Connecting Rod Assembly- 1986–1999 Sportster / 1994–1999 Buell  
(includes #9, 10, 11, 12, 13, 14)  
Heavy Duty/6.926" rod length– for stock stroke engines  
24275-86A . . . . . **34-7800** \$839.95

**ANY JOB IS EASY WITH THE RIGHT TOOLS**  
**COMPLETE S&S FLYWHEEL REBALANCING KIT PAGE 516**



## NOTES

S&S® connecting rods, with their beefier than stock construction, are slightly heavier than stock connecting rods. Therefore, rebalancing the flywheels is recommended when S&S connecting rods are used in stock replacement applications. We realize that rebalancing is an inconvenience, but we did not want to sacrifice rod strength for convenience's sake. In addition, given the variations in stock and aftermarket components available to engine builders, flywheel rebalancing is a desirable step in any major engine overhaul. In some cases, stock flywheels will need to be relieved to clear the rods.

All S&S mainshafts for Harley-Davidson® Sportster® models are designed for use in flywheels with tapered mainshaft holes. 1986-later stock flywheels have mainshafts which are manufactured as an integral part of the flywheel.

S&S pinion shafts for 1986-'03 Sportster models are the splined 1986-'87 style. Pinion and oil pump drive gears in 1988-'03 models must be replaced with early style gears.

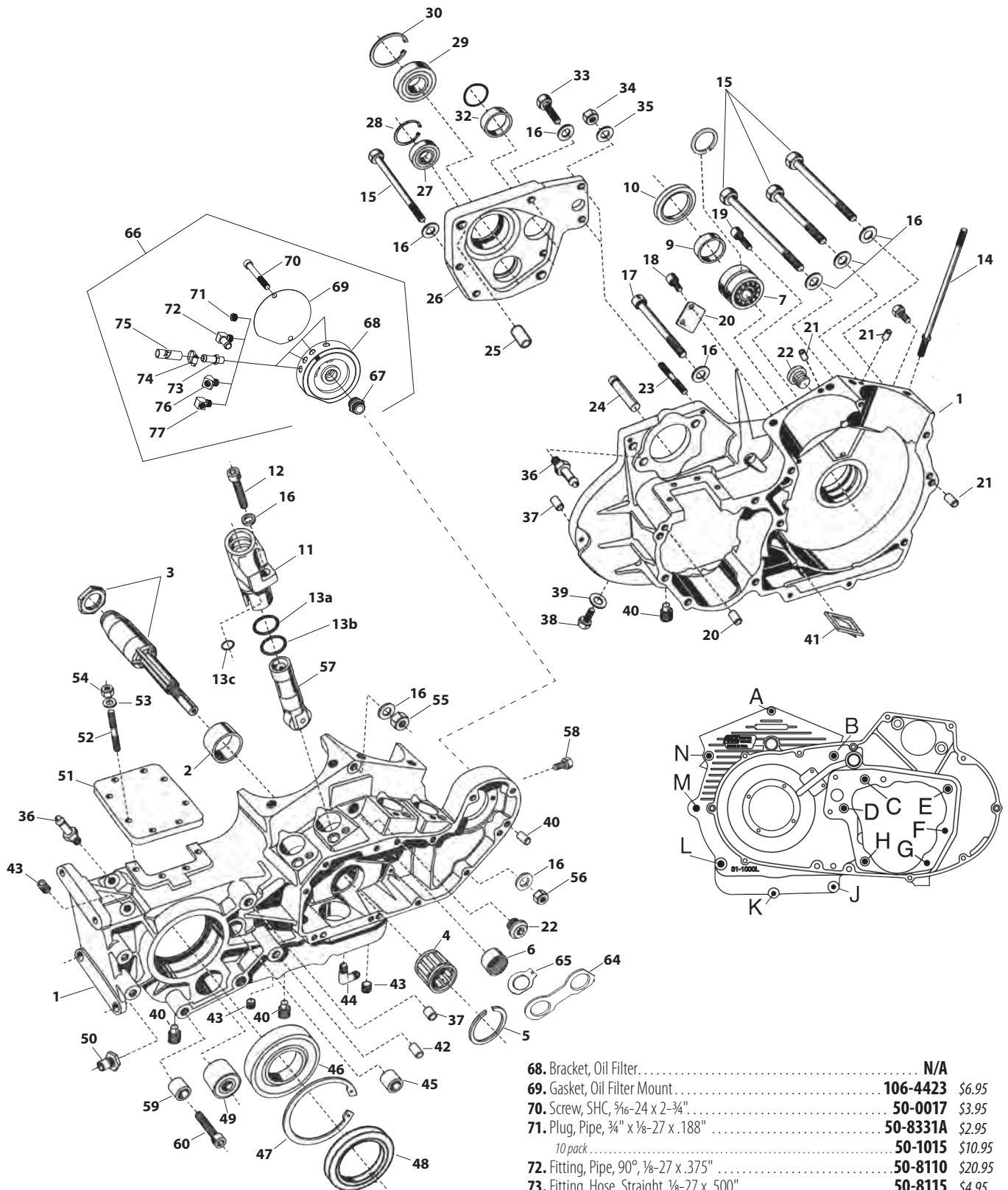
± WARNING: Cancer and Reproductive Harm – www.P65Warnings.ca.gov

Milwaukee  
Eight  
2007-2017  
Twin Cam  
96"/103"/110"  
1999-2006  
Twin Cam 88"  
1986-2019  
Sportster® & Buell®  
2014-2019  
Street &  
Street Rod™  
1984-1999  
Evolution®  
1926-1984  
Vintage Engines  
Indian® &  
Victory® Models  
Tools  
& Shop Supplies  
Apparel  
Warranty &  
Company Policy  
Appendix  
& Index

# CRANKCASE REPLACEMENT PARTS

## FOR SB100, 1986-'03 SPORTSTER® & 1994-'02 BUELL® MODELS

1. Crankcase assembly, half	N/A	
2. Race, right main bearing - Standard 1991-'03	31-4050	\$99.95
3. Pinion shaft assembly - Standard 1986-'03 xl/1994-'02 Buell	33-2325	\$262.95
1986-up S&S SA only	33-2329	\$262.95
4. Right main bearing assembly 1986-'03		
Blue 24647-87	31-4055	\$27.95
Red 24650-87	31-4056	\$27.95
White 24659-87	31-4057	\$27.95
Green 24660-87	31-4058	\$27.95
5. Ring, main bearing retainer 1986-'03 11177A	50-8057	\$1.95
5 pack	50-1004	\$9.95
6. Cam needle bearing assembly - 1986-'03 9057	31-4061	\$24.95
7. Left Timken® main bearing assembly, 1991-'03 24729-74, 48302-85	31-4059	\$116.95
8. Spacer, Left Main Bearing - 1974-'03 xl Fits stock diameter shaft.		
.098"	31-4062	\$7.95
.1015" - .1025" 9143	31-4064	\$7.95
.1035" - .1045"	31-4065	\$10.95
.1055" - .1065" 9145	31-4066	\$7.95
.1075" - .1085" 9146	31-4067	\$7.95
.110" 9147	31-4068	\$11.95
.114"	31-4070	\$11.95
9. Seal spacer, 1991-'03 xl	31-4034	\$62.95
10. Seal, sprocket shaft oil, 1991-'03 xl 35151-74A	31-4060	\$17.95
11. Tappet guide assembly (See page 269)		
12. Screw, SHC - 3/16" - 18 x 1" 3201WA, 2708	50-0101	\$0.95
13. O-ring		
13a. 1" I.D. x 1 3/16" O.D. x 3/32" CS (upper) 11167	50-8004	\$2.95
13b. 1" I.D. x 1 1/8" O.D. x 1/16" CS (lower) 11168A	50-8005	\$2.95
13c. 3/8" I.D. x 1/2" O.D. x 1/16" CS (oil hole) 11110	50-8006	\$2.95
10 pack	50-8077	\$7.95
14. Cylinder stud 1991-'03 style 16832-86C	31-2331-S	\$6.95
8 pack	31-2331	\$45.95
15. Bolt, case HH - See "Bolt Position Diagram"		
(Position A)		
S&S XL 1/4" - 28 x 5 1/2" (each)	50-0090	\$2.95
S&S SA XL 1/4" - 28 x 6" (each)	50-0020	\$8.95
(Position E, F, G, H)		
S&S XL HHC 3/16" - 18 x 4"	50-0102	\$2.95
(Position J, K)		
S&S XL 1/4" - 20 x 3/4"	50-0022	\$0.95
(Position L, M)		
S&S XL 3/8" - 24 x 5 1/2" (5 pack)	50-0170	\$5.95
(Position N)		
3/16" - 18 x 3 1/2" 3427	50-0117	\$2.95
16. Washer, flat - See "Bolt Position Diagram"		
(Position A, J, K)		
1/4" x .474" x .050" (each)	50-7020	\$2.95
(Position B, C, D, N) & Tappet guide		
5/16" x .548" x 1/16" (each)	50-7025	\$2.95
(Position E, F, G, H)		
5/16" x 1/16" x 1/8"	50-7033	\$0.95
(Position L, M)		
3/8" x 7/8" x .146" (each)	50-7053	\$3.95
17. Screw, SHC - 3/16" - 18 x 3"		
See "Bolt Location Diagram"		
(Positions B, C, D, H)	50-0021	\$2.95
18. Screw, SHC - 10-24 x 3/8" (Stator wires cover) 4091	50-0023	\$2.95
19. 10-24 x 1" (Stator) 2720 (each)	50-0044	\$2.95
20. Cover, stator wires 29950-91	31-2050	\$6.95
21. Dowel pin - .250" diameter x 1/2" 358, 366	50-8022	\$3.95
2 pack	50-8022-2	\$8.95
5 pack	50-8105	\$8.95
22. Plug, timing hole - 1991-'03 720	31-2005	\$5.95
23. Stud - 1/4" - 20, 1/4" - 28 x 1 1/4" 1991-up (shifter shaft)	50-8080	\$8.95
24. Spring pin - 1991-'03 (Shifter spring)	N/A	
25. Dowel pin - 1991-'03 (transmission door)		
1/8" diameter x 1/2"	50-8020	\$4.95
.390" I.D. x .558" O.D. x 1/2" 16574-99A, 16573-83, 16573-83A	50-8023	\$3.95
10 pack	50-8109	\$20.95
26. Transmission access door assembly	56-3025	\$262.95
(Includes 1 ea. transmission access door, 50-8007, 56-3030.)		
27. Bearing, transmission countershaft (LH) 1991-'03 8992A, 8998	56-3026	\$42.95
28. Ring, transmission countershaft bearing retainer, 1991-'03		
35021-89	50-8053	\$4.95
29. Bearing, transmission mainshaft (LH) 1991-'03		
35030-89, 35030-89A	56-3027	\$79.95
30. Ring, transmission mainshaft bearing retainer, 1991-'03		
35038-84, 35038-89	50-8052	\$9.95
31. O-ring - 32mm x 1.5mm CS, Shifter drum bushing	50-8007	\$1.35
32. Bushing, shifter drum - unfinished - 1991-'03 9187		
	56-3030	\$13.95
33. Screw, HHC 3/16" - 18 x 1 1/4" (10 pack)	50-0110	\$0.95
34. Lock nut, hex 1/4" - 28 (each)	50-5010	\$2.95
35. Washer, flat 1/4" x 5/8" x 1/16" 6194, 6245, 6703, 6736, 6228W, 6192		
each	50-7021	\$2.95
36. Fitting, hose - 1/8" - 27 pipe male transmission vent		
	50-8115	\$4.95
37. Dowel pin - .309" I.D. x .430" O.D. x 1/2"		
24754-75, 24754-75A	50-8018	\$5.95
38. Screw, HHC - 1/4" - 20 x 1/2", primary oil level 3728	50-0014	\$0.95
39. Washer, flat 1/4" x 5/8" x 1/32" copper, primary oil level 6114		
	50-7018	\$0.95
40. Plug, drain		
3/8" - 18 NPT Manufactured before 5-1-2000	31-2006	\$5.95
1/2" - 20 thread - (Includes o-ring.) Manufactured after 5-1-2000	50-8335	\$12.95
41. Reed valve assembly, 1991-'03 (Optional)	31-2051	\$145.95
42. Dowel pin - 3/16" dia. x 1/2"	N/A	-
43. Plug, SH pipe, 1/4" - 27 (each)	50-8331A	\$2.95
10 pack	50-1015	\$10.95
44. Fitting, 90° - 1/8" - 27 pipe male x 5/16" flared tube	50-8119	\$13.95
45. Bearing, transmission shifter drum (RH) 1991-'03	56-3032	\$17.95
46. Bearing, transmission output shaft 1991-up 8996A	56-1280	\$66.95
47. Ring, transmission output shaft bearing retainer, 109" x 3.734" tru-arc 11161, 11599	50-8051	\$20.95
48. Seal, Transmission Output Shaft		
2.255" x 3.388" x .250, 1995-'03 xl 12067B	56-3033	\$11.95
49. Bearing, transmission countershaft (RH) 1991-'03	56-3031	\$32.95
50. Nut, press-in, 3/8" - 24 - All 1991-'03	31-2048	\$14.95
51. Cover, transmission inspection window 1991-up S&S SA cases only	31-2055	\$151.95
52. Stud - 5/16" - 18, 5/16" - 24 x 1.370" 1991-up S&S SA cases only	50-8081	\$7.95
53. Washer, flat - 5/16" x 1/4" x 1/16" 6320, 70907-07, 6016, 6702	50-7034	\$0.95
54. Nut, hex - 5/16" - 24 7833, 7883	50-5023	\$0.95
55. Nut, hex - 1/4" - 28 7683	50-5011	\$0.95
56. Nut, hex - 3/8" - 24 7861	50-5037	\$0.95
57. Hydraulic tappet assembly (See page 268)		
58. 3/8" - 16 x 1/2" BHCS	N/A	-
59. 5/16" x 3/4" .35 Shim	50-7044	\$2.95
60. 1/4" - 20 x 2" SHCS 25794-36	50-0013	\$2.95
61. Gasket, gearcover, S&S (N/S)	31-2052	\$7.95
62. 45° hose fitting - 1/8" pipe male/female (Oil pump) (N/S)	50-8112	\$4.46
63. Oil Pump, Assembly, Stock, 1991-up xl (N/S)		
26488-98, 26204-91A	106-5368	\$472.95
64. Washer, Cam, Thrust, Double, .043", 1958-'90 xl, .043"	N/A	-
1985-'90 XL, .062" 25551-58	33-5210	\$73.95
65. Washer, Cam, Thrust, For S&S Cam Covers only, .062"	33-5211	\$39.95
66. Bracket Kit, Oil Filter 1986-'90 xl	106-3134±	\$178.95
67. Fitting, Straight, 3/4-16 UNF 2A x 1" 26352-95A	50-8197-S	\$12.95



68. Bracket, Oil Filter . . . . .	N/A	
69. Gasket, Oil Filter Mount . . . . .	106-4423	\$6.95
70. Screw, SHC, 5/16-24 x 2-3/4" . . . . .	50-0017	\$3.95
71. Plug, Pipe, 3/4" x 1/8-27 x .188" . . . . .	50-8331A	\$2.95
10 pack . . . . .	50-1015	\$10.95
72. Fitting, Pipe, 90°, 1/8-27 x .375" . . . . .	50-8110	\$20.95
73. Fitting, Hose, Straight, 1/8-27 x .500" . . . . .	50-8115	\$4.95
74. Clamp, Hose, 5/8" - 7/8" . . . . .	50-8002	\$2.95
75. Hose, Oil Line Return, 375" x 12" . . . . .	N/A	
76. Fitting, Pipe, 45°, 1/8-27 x 1/8-27 . . . . .	50-8112	\$5.95
77. Fitting, Pipe, 90°, Male/Female, 1/8-27 26338-68, 26561-84A, 26561-81A, 26338-68A . . . . .	106-2682	\$8.95
each . . . . .	106-2682	\$8.95
5 pack . . . . .	50-1007	\$44.95

















(N/S) = Not Shown

All reference to HD® part numbers is for identification purposes only. We in no way are implying that any of S&S Cycle's products are original equipment parts or that they are equivalent to the corresponding HD® part number shown.

⚠ WARNING: Cancer and Reproductive Harm – www.P65Warnings.ca.gov

# SUPER STOCK® CYLINDER HEAD REPLACEMENT PARTS

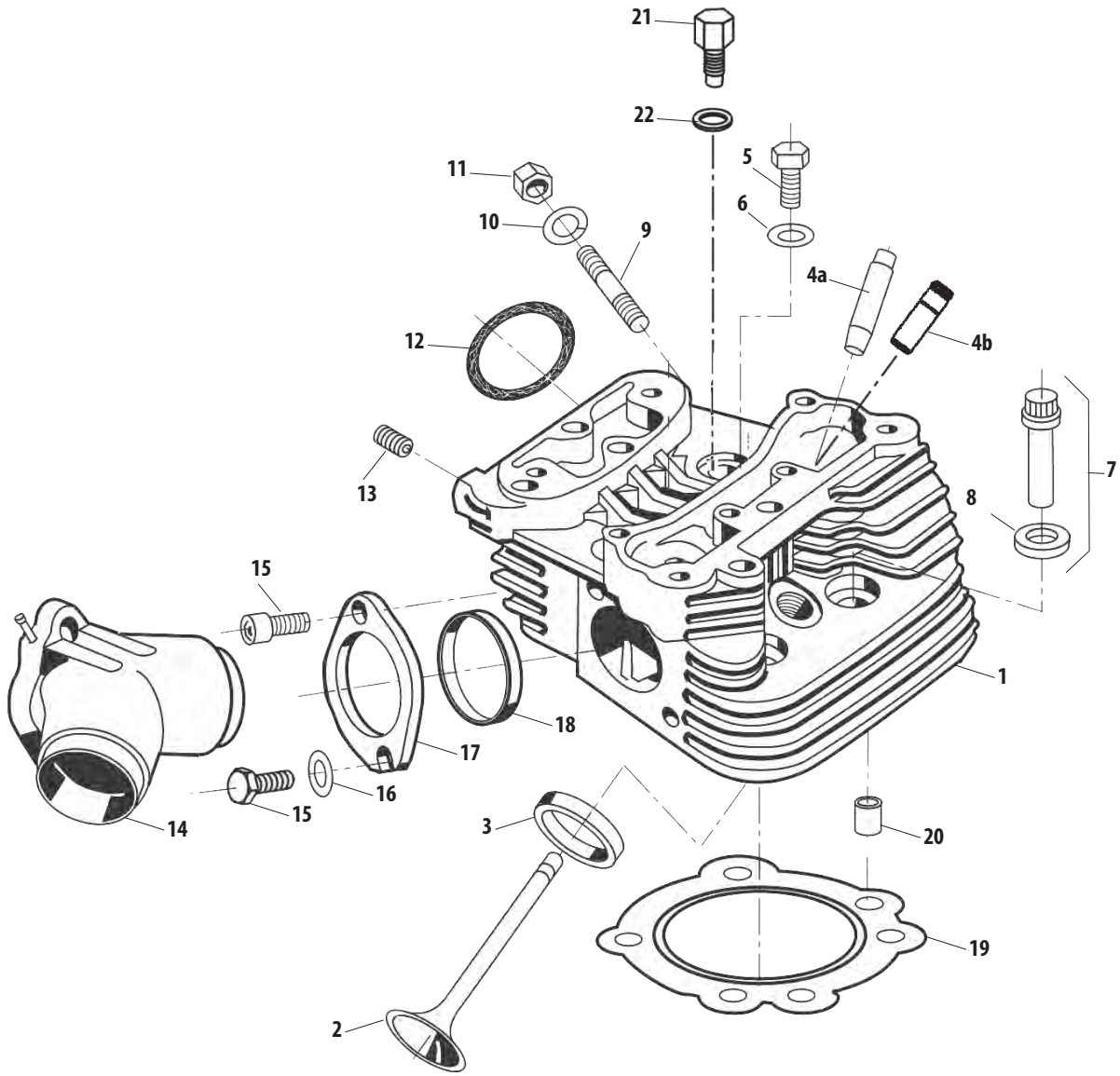
## SPORTSTER® MODELS 3-5/8" TO 4" BORE

<b>1. Cylinder head</b> (See cylinders on page 292)			
<b>2. Valves</b>			
Intake			
2.000" diameter		<b>90-2000</b>	\$28.95
2.000" diameter + .085" stern length		<b>90-2004</b>	\$30.95
Exhaust			
1.605" diameter		<b>90-2001</b>	\$63.95
<b>3. Valve seats</b>			
Intake - 2.000" diameter		<b>90-2002</b>	\$23.95
Exhaust - 1.605" diameter		<b>90-2003</b>	\$54.95
<b>4a. Valve guide - Cast - Intake or Exhaust</b>			
Standard Diameter .5625/.5620 18112-92		<b>90-2210</b>	\$29.95
+ .001" Diameter .5635/.5630 18130-83C		<b>90-2211</b>	\$62.95
+ .002" Diameter .5645/.5640 18133-83A, 18133-83D		<b>90-2212</b>	\$83.95
+ .003" Diameter .5655/.5650 18131-83C		<b>90-2213</b>	\$94.95
+ .030" Diameter .5925/.5920		<b>90-2219</b>	\$52.95
<b>4b. Valve guide - Powder Metal - Intake or Exhaust</b>			
Standard		<b>900-0553</b>	\$33.95
+ .001"		<b>900-0554</b>	\$33.95
+ .002"		<b>900-0555</b>	\$33.95
+ .003"		<b>900-0556</b>	\$33.95
<b>5. Head mount bolt - 3/8" - 16 x 1 1/4" 4716W</b>			
each		<b>50-0168</b>	\$2.95
<b>6. Flat washer - 3/8"</b>			
		<b>50-7051</b>	\$2.95
<b>7. Head bolt assembly - Includes head bolt washer</b> (See headbolts on page 278)			
<b>8. Head bolt washer</b>			
.150" (each)		<b>50-0418-S</b>	\$4.95
.250" (each)		<b>50-7091</b>	\$2.95
<b>9. Exhaust port stud 16715-83 (each)</b>			
5 pack		<b>50-0493</b>	\$2.95
		<b>50-1028</b>	\$73.95
<b>10. Lock washer - 5/16"</b>			
		<b>50-7032</b>	\$0.95
<b>11. Nut, HH - 5/16" - 24 7833, 7883</b>			
		<b>50-5023</b>	\$0.95
<b>12. Exhaust pipe gasket 65324-83B, 65324-83A</b>			
each		<b>106-5029</b>	\$4.95
10 pack		<b>93-1072</b>	\$47.95
<b>13. Thread conversion insert 1/2"-13 to 5/16"-18</b>			
		<b>50-8151</b>	\$6.95
<b>14. Intake manifold</b> (See manifolds on page 285)			
<b>15. Screw, manifold mounting</b>			
SH - 5/16" - 18 x 1" 3201WA, 2708		<b>50-0101</b>	\$0.95
HH - 5/16" - 18 x 1" 3987 (each)		<b>50-0108</b>	\$2.95
<b>16. Washer, flat - 5/16" 6320, 70907-07, 6016, 6702</b>			
		<b>50-7034</b>	\$0.95
<b>17. Flange, manifold mounting</b>			
Front 27009-86A (each)		<b>16-0232</b>	\$41.95
5 pack		<b>16-0600</b>	\$199.95
Rear 27010-86A (each)		<b>516-0233</b>	\$41.95
5 pack		<b>16-0601</b>	\$199.95
Set (Front & Rear)		<b>106-3516</b>	\$62.95
<b>18. O-ring, manifold (each)</b>			
		<b>16-0235</b>	\$6.95
10 pack		<b>16-0243</b>	\$48.95
<b>19. Head gasket</b>			
3 1/2" Bore			
.045" thick - (no o-rings required) 16770-84D, 16770-84F			
each		<b>93-1011-S</b>	\$125.95
10 pack		<b>93-1024</b>	\$136.95
.0625" thick - (No o-rings required) 16770-84D, 16770-84F, 10773-85			
each		<b>93-1313-S</b>	\$15.95
10 pack		<b>93-1051</b>	\$157.95
3 5/8" Bore			
.045" thick - (no o-rings required) (each)			
		<b>93-1037-S</b>	\$10.95
10 pack		<b>93-1052</b>	\$125.95
.062" thick - (no o-rings required) (each)			
		<b>93-1016-S</b>	\$15.95
10 pack		<b>93-1053</b>	\$157.95
4" Bore			
.045" thick (each)			
		<b>93-1040-S</b>	\$12.95
10 pack		<b>93-1071</b>	\$125.95
<b>20. Alignment dowel 16574-99A, 16573-83, 16573-83A</b>			
each		<b>50-8023</b>	\$3.95
10 pack		<b>50-8109</b>	\$20.95
Dowel pin - 1/4" diameter x 1/2" - 4" bore 358, 366			
each		<b>50-8022</b>	\$3.95
2 pack		<b>50-8022-2</b>	\$8.95
5 pack		<b>50-8105</b>	\$8.95
<b>21. Plug, HH - 14mm (each)</b>			
		<b>90-4916</b>	\$16.95
2 pack		<b>90-4916-2</b>	\$26.95
<b>22. Washer, compression release - 14mm .507" x .705" x .047"</b>			
each		<b>50-7094</b>	\$10.95
<b>GASKET KITS</b>			
<b>23. Rocker cover gasket kits, 1986-'03 xl</b>			
S&S Billet rocker cover, Rubber (N/S)		<b>90-4049</b>	\$73.95
S&S Cast rocker cover, Rubber (N/S)		<b>90-4091</b>	\$67.95
<b>24. Pushrod cover o-ring kit (N/S)</b>			
1986-'90 XL			
Includes 4 each:			
Bottom 11145A (each)		<b>50-8037</b>	\$2.95
Middle 11132A (each)		<b>50-8038</b>	\$2.95
Top 11293, 11157, 11101, 11190 (each)		<b>50-8039</b>	\$2.95
<b>25. Flat washer, bottom pushrod tube (N/S)</b>			
		<b>50-7150</b>	\$0.95
<b>26. Top End Rebuild Kits for SB-Series Engines (N/S)</b>			
4" Bore			
		<b>90-9503</b>	\$70.95
3 5/8" Bore			
		<b>90-9509</b>	\$73.95

(N/S) = Not Shown


### NOTE

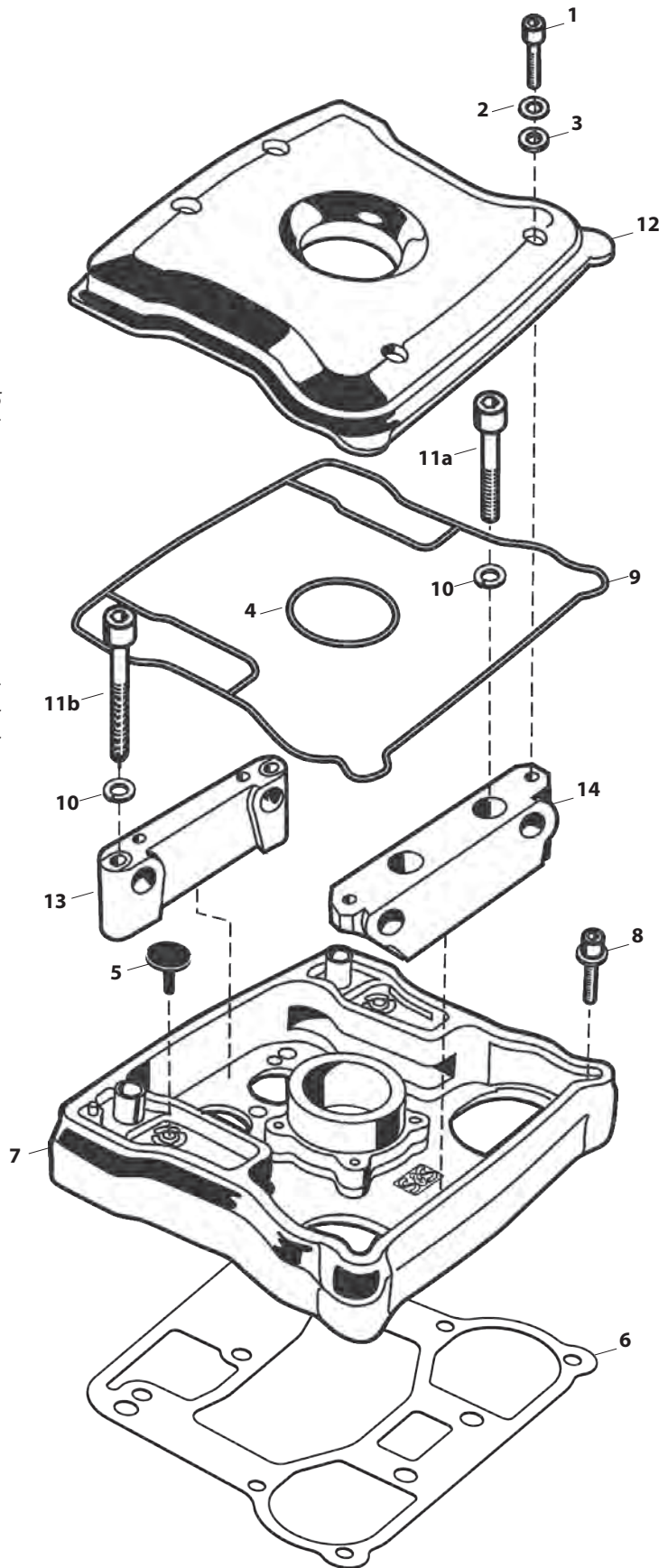
S&S heads for Harley-Davidson® Sportster® and Buell® models are similar but have different diameter front motor mount holes.



# BILLET ROCKER COVER REPLACEMENT PARTS

## FOR 1986–'03 HARLEY-DAVIDSON® SPORTSTER® & BUELL® MODELS

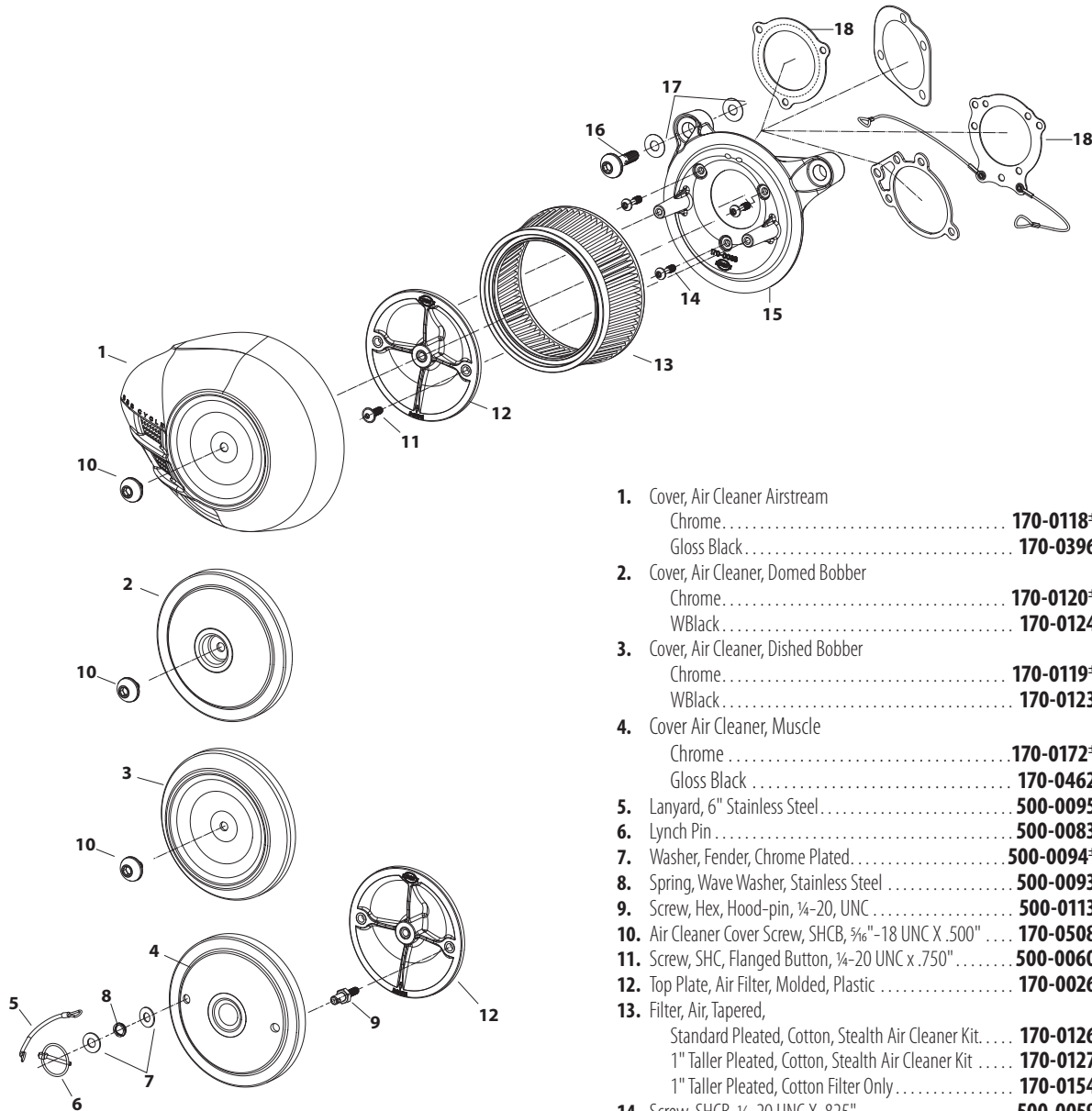
1. Screw, SH - 1/4"-20 x 3/4" 4069A (each) ..... **50-0067** \$2.95
2. Washer, flat - 1/4" (each) ..... **50-7017** \$2.95  
12 pack ..... **50-7013** \$7.95
3. Washer, flat - 1/4" rubber covered (each) ..... **50-7015** \$2.95  
8 pack ..... **50-7015-8** \$7.95  
12 pack ..... **50-7015-12** \$10.95
4. O-ring - 1 5/8" I.D. x 1 7/8" O.D. x 1/8" CS Viton®
5. Rocker cover umbrella valve 26856-89, 26856-89A  
1990-up XL .....  **90-4030** \$2.95
6. Gasket, Bottom, Rocker Cover, 1986-2003  
each ..... **900-0538** \$12.95  
2 pack ..... **900-0592** \$14.95
7. Rocker cover base - billet  
Chrome ..... **90-4051±** \$409.95  
Natural ..... **90-4056** \$262.95
8. Screw, SH w/washer - 1/4"-20 x 1" 4741A  
(each) ..... **50-0092-S** \$2.95  
4 pack ..... **50-0092P** \$5.95
9. Rocker cover o-ring gasket - S&S billet rocker cover  
(Included in gasket set. See #16 below.)
10. Washer, flat - 5/16" (each) ..... **50-7026** \$2.95
11. Bolt, rocker support - socket head  
11a. 5/16"-18 x 2 1/4" (left support) (each) ..... **50-0115-S** \$2.95  
11b. 5/16"-18 x 2 1/2" (right support) 876A (each) ..... **50-0118** \$2.95
12. Rocker cover top - Billet Chrome ..... **90-4054±** \$235.95
13. Right rocker shaft support - billet ..... **90-4053** \$104.95
14. Left rocker shaft support - billet ..... **90-4052** \$104.95
15. Rocker cover gasket set - S&S billet rocker cover  
(Not shown) ..... **90-4049** \$73.95



All reference to HD® part numbers is for identification purposes only. We in no way are implying that any of S&S Cycle's products are original equipment parts or that they are equivalent to the corresponding HD® part number shown.

±  WARNING: Cancer and Reproductive Harm - www.P65Warnings.ca.gov

# STEALTH AIR CLEANER REPLACEMENT PARTS





- |   |                             |          |
|---|-----------------------------|----------|
| 1. Cover, Air Cleaner Airstream                                       |                             |          |
| Chrome .....  | <b>170-0118<sup>±</sup></b> | \$157.95 |
| Gloss Black .....   | <b>170-0396</b>             | \$157.95 |
| 2. Cover, Air Cleaner, Domed Bobber                                   |                             |          |
| Chrome .....  | <b>170-0120<sup>±</sup></b> | \$125.95 |
| WBlack .....  | <b>170-0124</b>             | \$125.95 |
| 3. Cover, Air Cleaner, Dished Bobber                                  |                             |          |
| Chrome .....  | <b>170-0119<sup>±</sup></b> | \$125.95 |
| WBlack .....  | <b>170-0123</b>             | \$125.95 |
| 4. Cover Air Cleaner, Muscle  |                             |          |
| Chrome .....  | <b>170-0172<sup>±</sup></b> | \$104.95 |
| Gloss Black .....   | <b>170-0462</b>             | \$104.95 |
| 5. Lanyard, 6" Stainless Steel .....                                  | <b>500-0095</b>             | \$8.95   |
| 6. Lynch Pin .....  | <b>500-0083</b>             | \$17.95  |
| 7. Washer, Fender, Chrome Plated .....                                | <b>500-0094<sup>±</sup></b> | \$2.95   |
| 8. Spring, Wave Washer, Stainless Steel .....                         | <b>500-0093</b>             | \$6.95   |
| 9. Screw, Hex, Hood-pin, ¼-20, UNC .....                              | <b>500-0113</b>             | \$16.95  |
| 10. Air Cleaner Cover Screw, SHCB, ¾"-18 UNC X .500" .....            | <b>170-0508</b>             | \$17.95  |
| 11. Screw, SHC, Flanged Button, ¼-20 UNC x .750" .....                | <b>500-0060</b>             | \$2.95   |
| 12. Top Plate, Air Filter, Molded, Plastic .....                      | <b>170-0026</b>             | \$13.95  |
| 13. Filter, Air, Tapered,   |                             |          |
| Standard Pleated, Cotton, Stealth Air Cleaner Kit. ....               | <b>170-0126</b>             | \$42.95  |
| 1" Taller Pleated, Cotton, Stealth Air Cleaner Kit. ....              | <b>170-0127</b>             | \$71.95  |
| 1" Taller Pleated, Cotton Filter Only .....                           | <b>170-0154</b>             | \$46.95  |
| 14. Screw, SHCB, ¼-20 UNC X .825" .....                               | <b>500-0059</b>             | \$2.95   |
| 15. Backplate   |                             |          |
| Stock CV & EFI, Black, Die Cast, 1991-2016 xl. ....                   | <b>170-0048</b>             | \$73.95  |
| Super E/G, Black, Die Cast, 1991-2003 xl. ....                        | <b>170-0050</b>             | \$87.95  |
| 16. Screw, Backplate Vent, SHCB, ½-16 x 1½", Polished Stainless ..... |                             |          |
| .....   | <b>170-0044</b>             | \$24.95  |
| 17. Washer, Flat, Nitrile Rubber Coated, .380" x .880" x .024"        |                             |          |
| each .....  | <b>50-7054</b>              | \$2.95   |
| 10 pack .....   | <b>50-7059</b>              | \$12.95  |
| 18. Gasket, Backplate   |                             |          |
| Stock CV Carb & EFI Throttle Body, 1991-2016 xl                       |                             |          |
| (except Throttle by Wire) .....                                       | <b>106-6022</b>             | \$3.95   |
| Super E/G .....   | <b>106-1724</b>             | \$3.95   |
| w/ lanyards for use with Muscle Cover .....                           | <b>170-0137</b>             | \$24.95  |

All reference to HD® part numbers is for identification purposes only. We in no way are implying that any of S&S Cycle's products are original equipment parts or that they are equivalent to the corresponding HD® part number shown.

± WARNING: Cancer and Reproductive Harm – www.P65Warnings.ca.gov

# CLASSIC TEARDROP AIR CLEANER REPLACEMENT PARTS FOR BUELL® MOTORCYCLES WITH STOCK OR S&S CARB

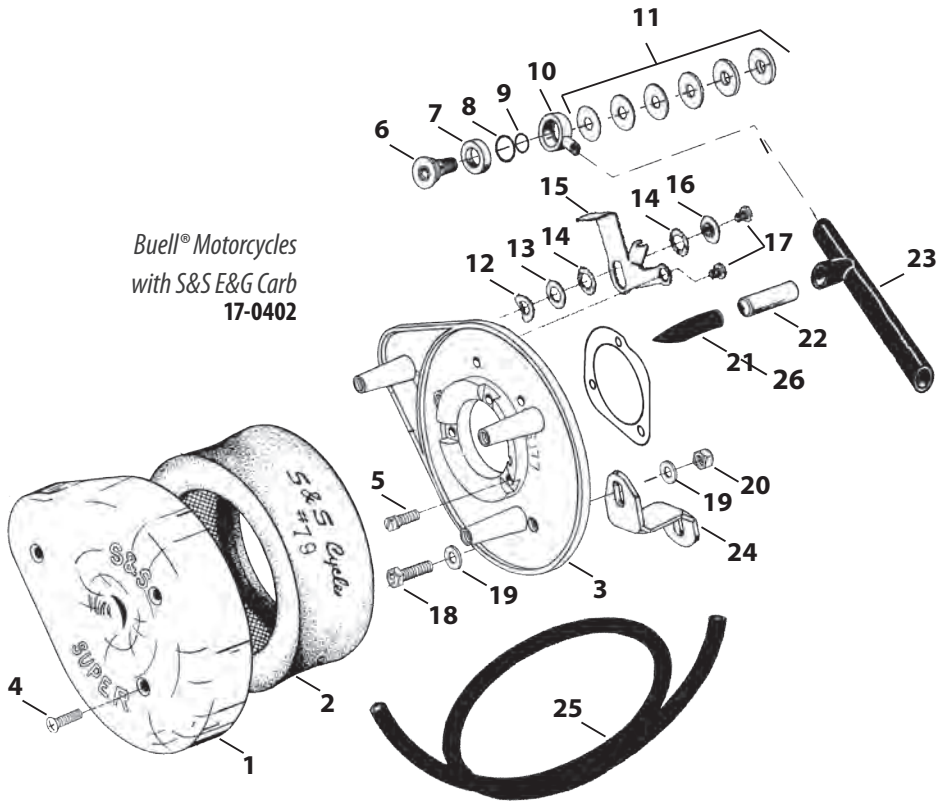
1. Air cleaner cover		
Chrome.....	<b>17-0078</b> ±	\$164.95
2. Air cleaner element .....	<b>17-0079</b>	\$18.95
3. Air cleaner backing plate		
Super E & G carburetors .....	<b>17-0000</b>	\$97.95
Stock carburetors.....	<b>17-0003</b>	\$97.95
4. Cover screw		
Chrome 1305 (each) .....	<b>50-0072</b> ±	\$2.95
3 pack.....	<b>50-1052</b> ±	\$3.95
10 pack.....	<b>50-0094</b> ±	\$8.95
Black 902 (each) .....	<b>50-0310-S</b>	\$4.95
3 pack.....	<b>50-0310</b>	\$10.95
5. Air cleaner backplate screw		
For S&S Super E&G		
Zinc Plated (each) .....	<b>106-2084</b>	\$2.95
10 pack.....	<b>106-2105</b>	\$7.95
6. Cap screw, breather & air cleaner mount .....	<b>17-0338</b>	\$8.95
7. Shim, .620" I.D. x .800" O.D. x .185" (each) .....	<b>N/A</b>	-
8. O-ring ½" O.D. x ⅝" I.D. x ¼" CS (each) .....	<b>50-8270</b>	\$2.95
5 pack.....	<b>50-8130</b>	\$3.95
9. O-ring ⅜" O.D. x ½" I.D. x ¼" CS 11110 (each).....	<b>50-8006</b>	\$2.95
10 pack.....	<b>50-8077</b>	\$7.95
10. Breather fitting (each) .....	<b>17-0350</b>	\$4.95
2 pack.....	<b>17-0355</b>	\$7.95
11. Shim kit air cleaner backplate (includes 4 each of .018", .030", .048") .....	<b>17-0464</b>	\$17.95
Replacement Shims		
½" x 1" x .018 (each) .....	<b>50-7085</b>	\$2.95
½" x 1" x .030 (each) .....	<b>50-7086</b>	\$2.95
½" x 1" x .048 (each) .....	<b>50-7087</b>	\$2.95
½" x 1" x .105 (each) .....	<b>50-7089</b>	\$2.95
½" x 1" x .125 (each) .....	<b>50-7090</b>	\$4.95
12. Washer, friction, spring (each).....	<b>50-7035</b>	\$2.95
10 pack.....	<b>50-7058</b>	\$6.95
13. Washer, flat .323" x ⅝" x ⅛" (each) .....	<b>50-7037</b>	\$2.95
10 pack.....	<b>50-7061</b>	\$3.95
14. Washer, flat, nylon .323" x ⅝" x .020" (each) .....	<b>50-7036</b>	\$2.95
10 pack.....	<b>50-7060</b>	\$3.95
15. Lever, fast idle, .....	<b>17-0327</b>	\$8.95
16. Washer, flat w/step, brass (each) .....	<b>50-7007</b> ±	\$2.95
10 pack.....	<b>50-7010</b> ±	\$12.95
17. Screw, PH slotted 10-24 x ¼" (each) .....	<b>50-0041</b>	\$2.95
10 pack.....	<b>50-0062</b>	\$4.95
18. Screw, HH, cap, ¼"-28 x ⅞" .....	<b>50-0074</b>	\$0.95
19. Washer, flat, .281" x .625" x .080" 6194, 6245, 6703, 6736, 6228W, 6192		
each .....	<b>50-7021</b>	\$2.95
20. Locknut - ¼" -28 (each) .....	<b>50-5010</b>	\$2.95
21. Hose, breather vent.....	<b>17-0365</b>	\$3.95
22. Fitting, hose, Buell air cleaner .....	<b>17-0336C-S</b>	\$7.95
23. Hose, breather.....	 <b>17-0339</b>	\$7.95
24. Bracket, carb support, air cleaner .....	<b>17-0309</b>	\$5.95
25. Tubing, rubber - ⅜" x ⅝" x 3' .....	 <b>N/A</b>	-
26. Gasket, Backplate, 1991-up xl/bt 29062-95B .....	<b>106-6022</b>	\$3.95

All reference to HD® part numbers is for identification purposes only. We in no way are implying that any of S&S Cycle's products are original equipment parts or that they are equivalent to the corresponding HD® part number shown.

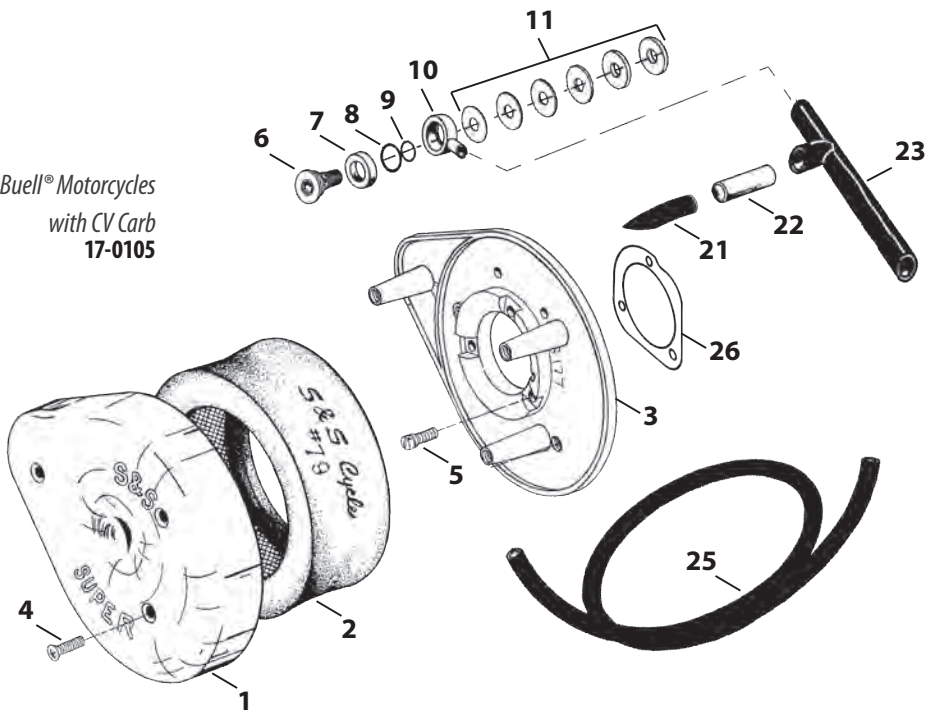
 WARNING: Cancer and Reproductive Harm – www.P65Warnings.ca.gov



Buell® Motorcycles  
with S&S E&G Carb  
17-0402



Buell® Motorcycles  
with CV Carb  
17-0105

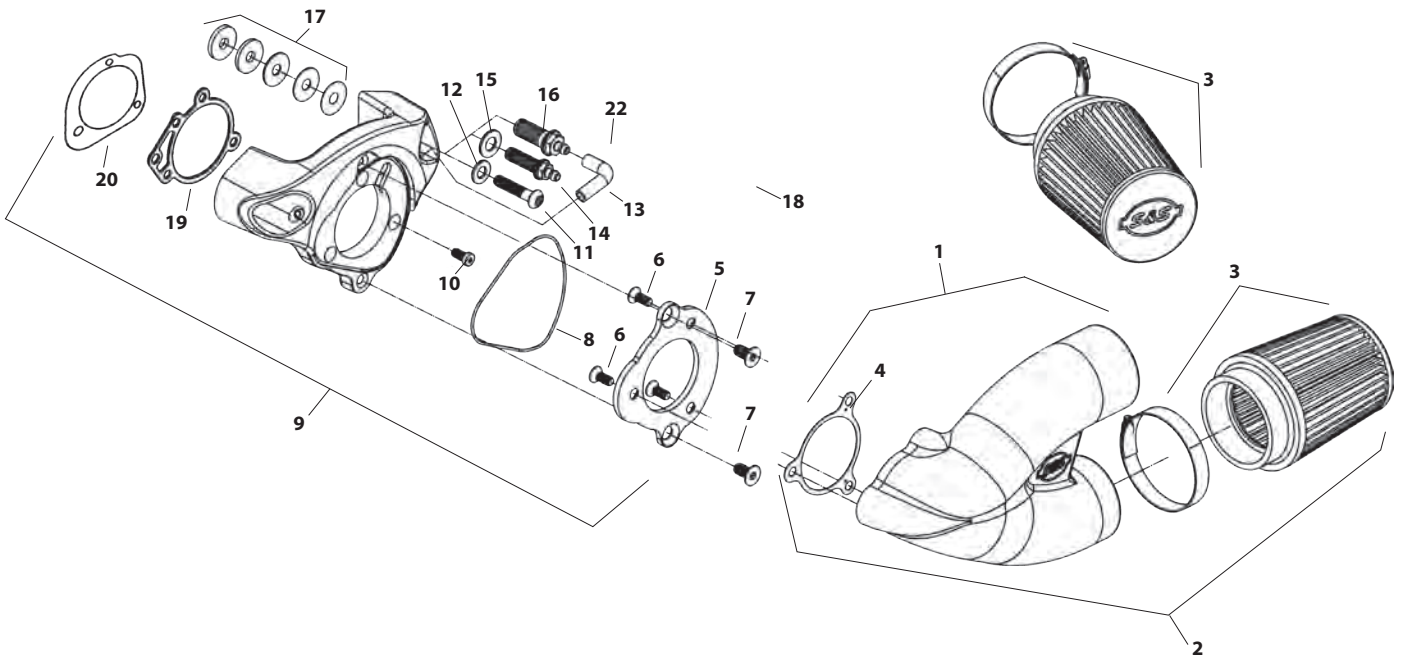


# SINGLE BORE TUNED INDUCTION SYSTEM

## REPLACEMENT PARTS

- |   |                      |          |  |
|---|----------------------|----------|--|
| <b>1.</b> Tuned Intake Kit, 2.19" Single Bore   |                      |          |  |
| Natural .....   | <b>106-4968</b>      | \$188.95 |  |
| Gloss Black .....   | <b>170-0453</b>      | \$187.95 |  |
| Chrome Plated .....   | <b>106-4970</b> ‡    | \$188.95 |  |
| <b>2.</b> Tuned Intake Assembly, 2.19" Single Bore  |                      |          |  |
| Gloss Black .....   | <b>170-0454</b>      | \$311.95 |  |
| Chrome Plated .....   | <b>106-4967</b> ‡    | \$314.95 |  |
| <b>3.</b> Air Filter, w/clamp, Stainless Cap – Conical – 2 <sup>7</sup> / <sub>16</sub> " I.D. x 4"     |                      |          |  |
| Red (each) .....  | <b>17-1020</b>       | \$57.95  |  |
| Blue (each) .....   | <b>17-1023</b>       | \$57.95  |  |
| <b>4.</b> Gasket, Intake – Adapter Plate .....  | <b>17-1022</b>       | \$5.95   |  |
| <b>5.</b> Plate, Adapter, 2.19" Single Bore Tuned Intake  |                      |          |  |
| Chrome Steel .....  | <b>17-1014</b> ‡     | \$77.95  |  |
| <b>6.</b> FHSC 1/4–20 x 5/8" (each) .....   | <b>50-0433</b>       | \$3.95   |  |
| <b>7.</b> FHSC 3/16–18 x 3/8" (each) .....  | <b>50-0432</b>       | \$5.95   |  |
| <b>8.</b> O-Ring, Adapter Plate Bracket   |                      |          |  |
| 3 <sup>5</sup> / <sub>8</sub> " O.D. x 3 <sup>1</sup> / <sub>2</sub> " I.D. 1/16 CS, Viton (each) ..... | <b>50-0446</b>       | \$3.95   |  |
| <b>9.</b> Bracket Kit, 2.19" Single Bore Tuned Intake, Chrome   |                      |          |  |
| Super E/G, 1986-'03 xl .....  | <b>106-4975</b> ‡    | \$419.95 |  |
| Stock CV & EFI, 1991-up xl .....  | <b>106-6026</b> ‡    | \$419.95 |  |
| <b>10.</b> Backplate Screw  |                      |          |  |
| Screw, SHC, w/Threadlock, 1/4–20 x 1/2" .....   | <b>106-2084</b>      | \$2.95   |  |
| 10 pack .....   | <b>106-2105</b>      | \$7.95   |  |
| <b>11.</b> Screw, 3/16–18 x 1 1/4, BHC, Chrome (each) .....   | <b>50-0309-5</b> ‡   | \$5.95   |  |
| <b>12.</b> Flat Washer 3/16" x 1/16" 6320, 70907-07, 6016, 6702 .....                                   | <b>50-7034</b>       | \$0.95   |  |
| <b>13.</b> Hose, Breather, 1/4" I.D., 90° .....   | <b>19-0178A</b>      | \$3.95   |  |
| <b>14.</b> Screw, Breather Fitting, 3/8–16 x 1 1/4" .....   | <b>50-0436</b>       | \$14.95  |  |
| <b>15.</b> Washer, Flat, 3/8" x 13/16" x 1/16", Chrome .....  | <b>50-7106-5</b> ‡   | \$3.95   |  |
| <b>16.</b> Screw, Breather Fitting, 1/2–13 x 1.25 .....   | <b>50-0435</b>       | \$11.95  |  |
| <b>17.</b> Shim Kit   |                      |          |  |
| (a) 5/16" I.D. 1986-'90 xl .....  | <b>17-0314</b>       | \$10.95  |  |
| (b) 1/2" I.D. 1991-up xl .....  | <b>17-0464</b>       | \$17.95  |  |
| <b>18.</b> Enrichment Device, S&S Super E & G carbs .....   | <b>USA 11-2084</b> ‡ | \$26.95  |  |
| <i>(Use in place of enrichment device on air cleaner backplate)</i>                                     |                      |          |  |
| <b>19.</b> Gasket, Backplate – E/G/SBEFI (each) .....   | <b>106-1724</b>      | \$3.95   |  |
| 10 pack .....   | <b>106-2328</b>      | \$26.95  |  |
| <b>20.</b> Gasket, Stock carb/Throttle Body 29062-95B .....   | <b>106-6022</b>      | \$3.95   |  |
| <b>21.</b> Hardware Kit, 1986-'03 (N/S)   |                      |          |  |
| Stock CV & EFI .....  | <b>500-0018</b>      | \$67.95  |  |
| S&S Super E or G carb. .....  | <b>17-5099</b> ‡     | \$115.95 |  |
| <b>22.</b> Cap, Canister Purge Fitting .....  | <b>50-8266-S</b>     | \$5.95   |  |
| <b>23.</b> Hose, Vent, Breather, Cut To Size, 313" x .438" x 24" (N/S) .....                            | <b>106-4982</b>      | \$8.95   |  |

(N/S) = Not Shown





**ACCESSORIES**

Description		Part #	MSRP
Air Filter Oil, 8 oz. Bottle	Red	<b>106-1163</b>	\$30.95
	Blue	<b>106-1164</b>	\$30.95
Nylon Air Filter Cover	each	<b>106-0247</b>	\$48.95
	2 pack	<b>106-0248</b>	\$96.95



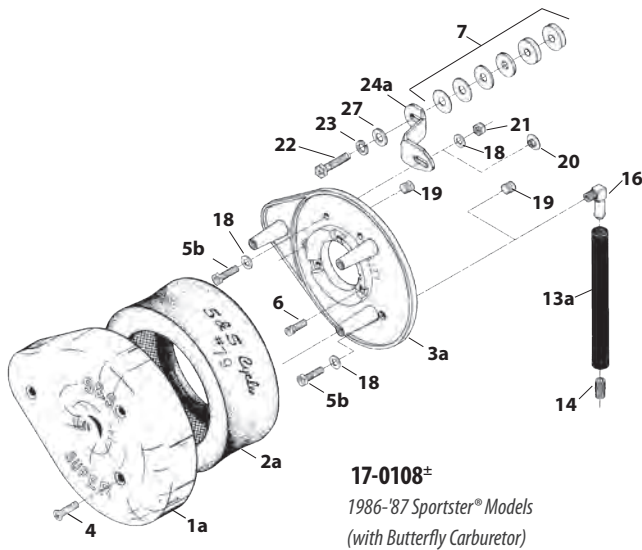
All reference to HD® part numbers is for identification purposes only. We in no way are implying that any of S&S Cycle's products are original equipment parts or that they are equivalent to the corresponding HD® part number shown.

# CLASSIC TEARDROP AIR CLEANER REPLACEMENT PARTS FOR STOCK FUEL SYSTEMS

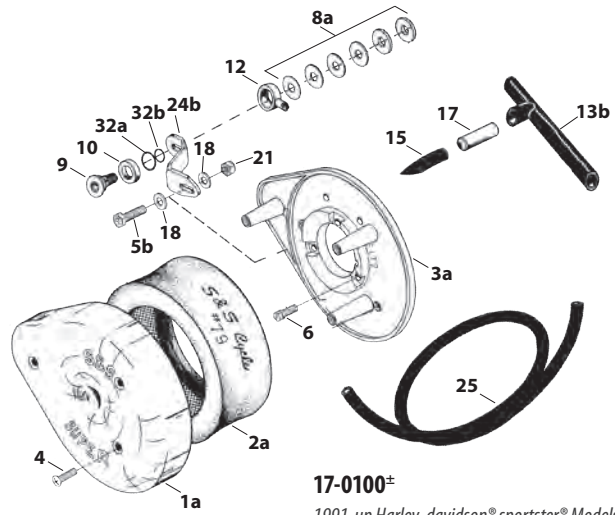
<b>1.</b> Air cleaner cover			
<b>1a.</b> Chrome	17-0078 <sup>±</sup>	\$164.95	
<b>1b.</b> Chrome	17-0378 <sup>±</sup>	\$158.95	
Black	170-0384A	\$158.95	
Slasher	17-0004 <sup>±</sup>	\$158.95	
<b>2.</b> Element			
<b>2a.</b> Foam	17-0079	\$18.95	
<b>2b.</b> Pleated	106-4722	\$23.95	
<b>3.</b> Backplate			
<b>3a.</b> XL 1966-'87	17-0180	\$86.95	
<b>3b.</b> Backplate, 1991–2007 XL	106-0950	\$103.95	
<b>4.</b> Cover screw			
Chrome 1305 (each)	50-0072 <sup>±</sup>	\$2.95	
3 pack	50-1052 <sup>±</sup>	\$3.95	
10 pack	50-0094 <sup>±</sup>	\$8.95	
Black 902 (each)	50-0310-S	\$4.95	
3 pack	50-0310	\$10.95	
<b>5.</b> Screw			
<b>5a.</b> 1999–03 XL, HHCS ¼"–28 x 1–¼"	N/A	-	
<b>5b.</b> All Others, HHCS ¼"–28 x 7/8"	50-0074	\$0.95	
<b>6.</b> Backplate screw, Zinc Plated (each)	106-2084	\$2.95	
10 pack	106-2105	\$7.95	
<b>7.</b> Shim kit, XL 1966-'87	17-0314	\$10.95	
<i>(Includes 2 each 5/16" x .018", 5/16" x .030", 5/16" x .048", 5/16" x .105" and 4 each 5/16" x .125")</i>			
Replacement shims			
a. 5/16" x .018" (each)	50-7038	\$2.95	
b. 5/16" x .030" (each)	50-7039	\$2.95	
c. 5/16" x .048" (each)	50-7040	\$2.95	
d. 5/16" x .105" (each)	50-7041	\$2.95	
e. 5/16" x .125" (each)	50-7042	\$2.95	
2 pack	50-7042P	\$4.95	
<b>8.</b> Replacement Shims			
<b>8a.</b> 1991–up XL, & Buell® 1994–up			
½" x .018 (each)	50-7085	\$2.95	
½" x .030" (each)	50-7086	\$2.95	
½" x .048" (each)	50-7087	\$2.95	
½" x .105" (each)	50-7089	\$2.95	
½" x .125" (each)	50-7090	\$4.95	
<b>8b.</b> 1999–03 XL			
5/8" x .025" (each)	50-7113	\$2.95	
10 pack	50-7110	\$7.95	
5/8" x .050" (each)	50-7114	\$2.95	
10 pack	50-7111	\$8.95	
5/8" x .075" (each)	50-7115	\$2.95	
10 pack	50-7112	\$11.95	
<b>9.</b> Breather Cap Screw	17-0338	\$8.95	
<b>10.</b> Shim, head vent – .62" I.D. x .80" O.D. x .175" (each)	N/A	-	
<b>11.</b> Breather screw seal XL 1991-'03 Washer, .520 (each)	50-7055	\$2.95	
10 pack	50-7057	\$12.95	
<b>12.</b> Breather fitting (each)	17-0350	\$4.95	
2 pack	17-0355	\$7.95	
<b>13.</b> Crankcase breather vent hose			
a. XL 1986-'90	17-0113	\$2.95	
b. XL 1991-'93	 17-0339	\$7.95	
<b>14.</b> Vent hose connector, XL 1986-'90	50-8111	\$2.95	
<b>15.</b> Vent hose, with angle cut	17-0365	\$3.95	
<b>16.</b> 90° Elbow fitting (each)	50-8110	\$20.95	
<b>17.</b> Hose fitting	17-0336C-S	\$7.95	
<b>18.</b> Flatwasher, ¼" 6194, 6245, 6703, 6736, 6228W, 6192 (each)	50-7021	\$2.95	
<b>19.</b> Backplate plug, ⅛" –27 NPT (each)	50-8331A	\$2.95	
10 pack	50-1015	\$10.95	
<b>20.</b> Plug, press-in clear plastic	50-8313	\$0.95	
<b>21.</b> Support bracket locknut – ¼"–28 x 7/8" (each)	50-5010	\$2.95	
<b>22.</b> Support bracket screw, 5/16"–18 x 1¼"	50-0110	\$0.95	
<b>23.</b> Lockwasher, 5/16"	50-7032	\$0.95	
<b>24.</b> Support Bracket			
<b>24a.</b> Air Cleaner to head 1986–90 XL	17-0311	\$44.95	
<b>24b.</b> Air Cleaner to head 1991–03 XL	N/A	-	
<b>25.</b> Rubber tubing – ¼" x 5/8" x 3'	 N/A	-	
<b>26.</b> Wire tie (N/S)	50-8003	\$2.95	
<b>27.</b> Washer, flat – 3/8" x 7/8" x .146" (each)	50-7053	\$3.95	
<b>28.</b> Shim – ¼" x 3/4" x .200"	50-7024	\$2.95	
<b>29.</b> Screw Vent Fitting			
<b>29a.</b> XL 1993–99	17-0347	\$17.95	
<b>29b.</b> XL 1999–up	17-0345	\$20.95	
<b>30.</b> Screw air cleaner backplate	17-0346	\$5.95	
<b>31.</b> Spring clamps	50-8001	\$0.95	
<b>32.</b> O-ring			
<b>32a.</b> (-014) .500"ID x .625" OD (each)	50-8270	\$2.95	
5 pack	50-8130	\$3.95	
<b>32b.</b> (-012) .375"ID x .500" OD 11110 (each)	50-8006	\$2.95	
10 pack	50-8077	\$7.95	
<b>33.</b> Gasket, backplate (each)	106-1724	\$3.95	
10 pack	106-2328	\$26.95	
<b>34.</b> Adaptor assembly, 1991–up XL	106-1982 <sup>±</sup>	\$60.95	
<b>35.</b> Hose, vent, breather, formed, .250" x .375" x 1.330", 1991–2007 XL			
each	106-0161A	\$7.95	
<b>36.</b> Breather screw, 1991 XL	106-0845	\$23.95	
<b>37.</b> Washer, flat 5/16" x 1/16" x 1/8"	50-7033	\$0.95	
<b>38.</b> Nut, lock, HH, 5/16"–18	50-5021	\$0.95	
<b>39.</b> Bracket, support, air cleaner to head, xl, 1991–up			
Front	17-0305	\$13.95	
Rear	106-1285	\$12.95	
<b>N/S = Not Shown</b>			

All reference to HD® part numbers is for identification purposes only. We in no way are implying that any of S&S Cycle's products are original equipment parts or that they are equivalent to the corresponding HD® part number shown.

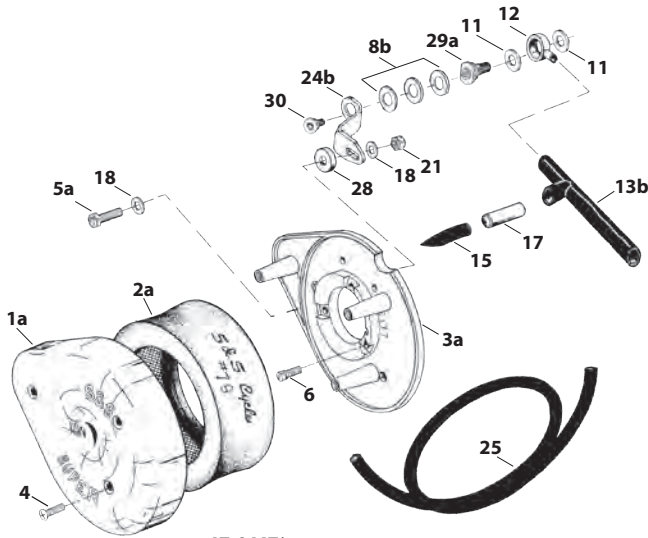
 **WARNING:** Cancer and Reproductive Harm – www.P65Warnings.ca.gov



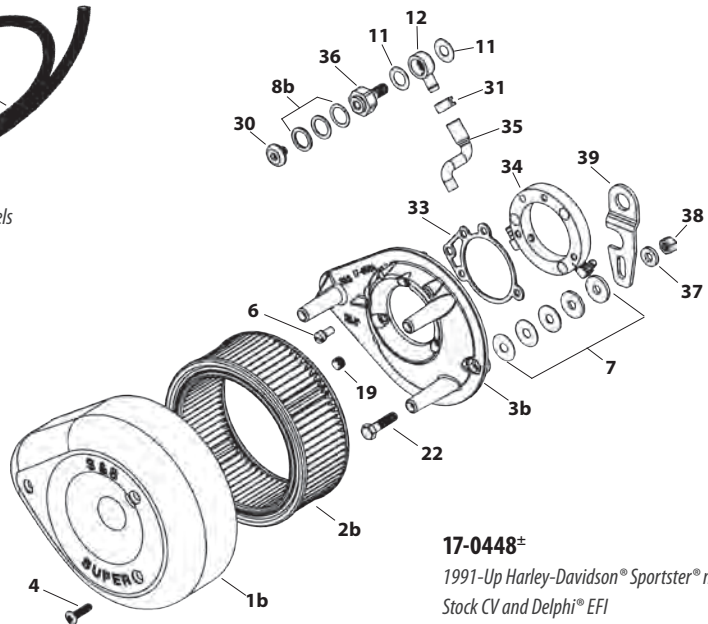
**17-0108±**  
1986-'87 Sportster® Models  
(with Butterfly Carburetor)



**17-0100±**  
1991-up Harley-davidson® sportster® Models  
(with CV carburetor) (Discontinued)







**17-0117±**  
1991-'03 Harley-Davidson® Sportster® Models  
(Discontinued)

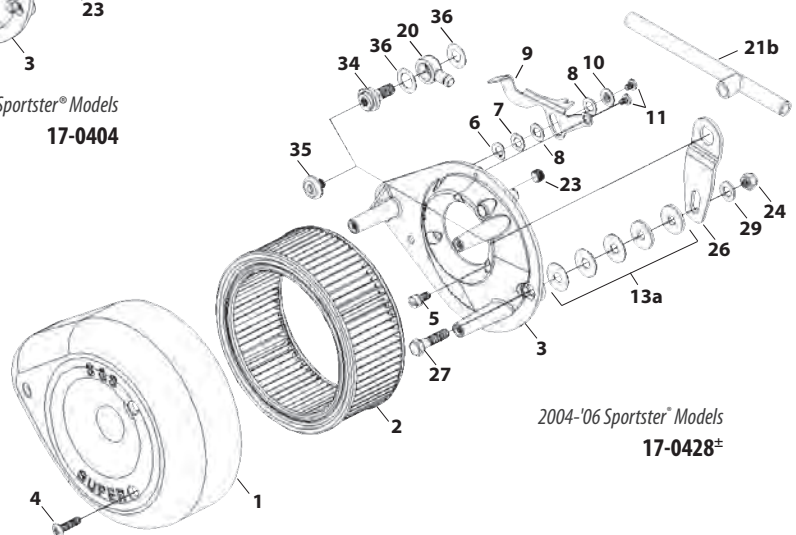
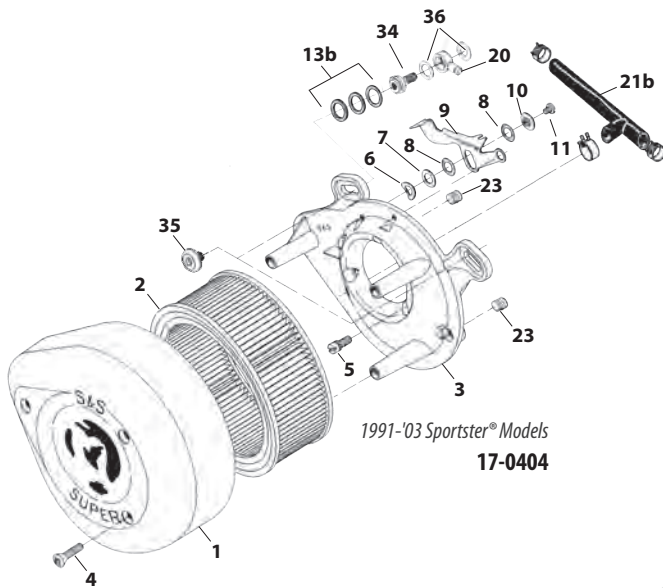
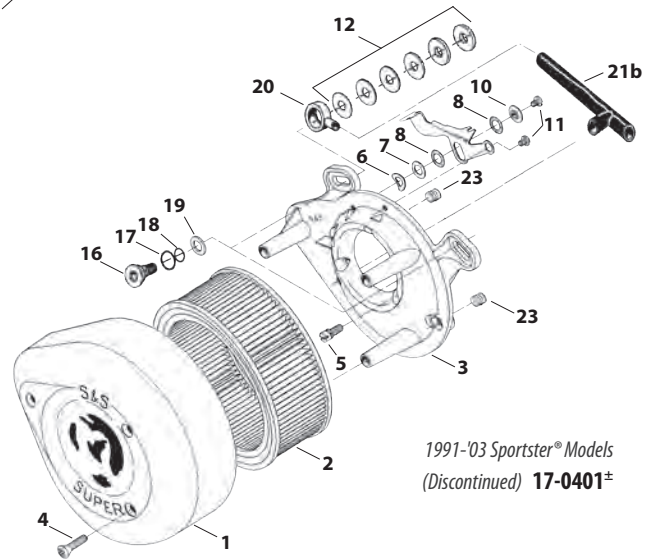
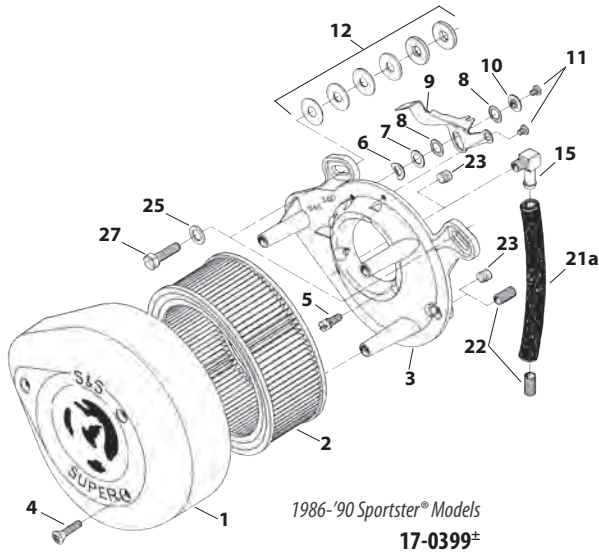


**17-0448±**  
1991-Up Harley-Davidson® Sportster® models  
Stock CV and Delphi® EFI

# SUPER E AND G AIR CLEANERS REPLACEMENT PARTS FOR 1986-UP HARLEY-DAVIDSON® SPORTSTER® MODELS






















<b>1. Air cleaner cover</b>			
Chrome .....	<b>17-0378</b> ±	\$158.95	
Black .....	<b>170-0384A</b>	\$158.95	
Slasher .....	<b>17-0004</b> ±	\$158.95	
<b>2. Element, pleated.</b>	<b>106-4722</b>	\$23.95	
Element, pleated carbon .....	<b>17-0375</b>	\$52.95	
<b>3. Backplate</b>			
XL 1957-'85 .....	<b>17-0330</b>	\$104.95	
XL 1991-'03 .....	 <b>17-0336</b>	\$104.95	
XL 1986-'90 <i>Manufactured prior to 1-1-03</i> .....	<b>17-0380</b>	\$104.95	
XL 2004-'06 .....	<b>17-0361</b>	\$80.95	
<b>4. Cover screw</b>			
Chrome <i>1305 (each)</i> .....	<b>50-0072</b> ±	\$2.95	
3 pack .....	<b>50-1052</b> ±	\$3.95	
10 pack .....	<b>50-0094</b> ±	\$8.95	
Black <i>902 (each)</i> .....	<b>50-0310-S</b>	\$4.95	
3 pack .....	<b>50-0310</b>	\$10.95	
<b>5. Backplate screw, Zinc Plated (each)</b>	<b>106-2084</b>	\$2.95	
10 pack .....	<b>106-2105</b>	\$7.95	
<b>6. Fast idle friction washer (each)</b>	<b>50-7037</b>	\$2.95	
10 pack .....	<b>50-7061</b>	\$3.95	
<b>8. Fast idle nylon washer (each)</b>	<b>50-7036</b>	\$2.95	
10 pack .....	<b>50-7060</b>	\$3.95	
<b>9. Fast idle lever.</b>	 <b>17-0329</b>	\$9.95	
<b>10. Fast idle brass washer (each).</b>	<b>50-7007</b> ±	\$2.95	
10 pack .....	<b>50-7010</b> ±	\$12.95	
<b>11. Fast idle lever screw (one required)</b>	<b>50-0041</b>	\$2.95	
10 pack .....	<b>50-0062</b>	\$4.95	
<b>12. Shim kit</b>			
XL 1986-'90 .....	<b>17-0314</b>	\$10.95	
<i>(Includes two each 5/16" x .018", .030", .048", .105", and four each .125")</i>			
XL 1991-2016 .....	<b>17-0464</b>	\$17.95	
<i>(Includes two each 1/2" x .018", .030", .048", .105", and four each .125")</i>			
<b>13. Shims,</b>			
<b>a. XL 1986-'90</b>			
5/16" x .018" (each) .....	<b>50-7038</b>	\$2.95	
5/16" x .030" (each) .....	<b>50-7039</b>	\$2.95	
5/16" x .048" (each) .....	<b>50-7040</b>	\$2.95	
5/16" x .105" (each) .....	<b>50-7041</b>	\$2.95	
5/16" x .125" <i>(Use on BT 1936-'84 and XL 1957-'85 when insulator block is installed.)</i>			
each .....	<b>50-7042</b>	\$2.95	
2 pack .....	<b>50-7042P</b>	\$4.95	
<b>b. XL 1991-2016</b>			
5/8" x .025" (each) .....	<b>50-7113</b>	\$2.95	
10 pack .....	<b>50-7110</b>	\$7.95	
5/8" x .050" (each) .....	<b>50-7114</b>	\$2.95	
10 pack .....	<b>50-7111</b>	\$8.95	
5/8" x .075" (each) .....	<b>50-7115</b>	\$2.95	
10 pack .....	<b>50-7112</b>	\$11.95	
Shim, .515" x 1" x .125" (each) .....	<b>50-7090</b>	\$4.95	
<b>14. Backplate mounting bolt – XL 1957-'85</b>			
5/16"-18 x 1" 3987 (each) .....	 <b>50-0108</b>	\$2.95	
5/16"-24 x 3/4" <i>(Discontinued)</i> .....	<b>N/A</b>		
<b>15. Elbow fitting (each)</b>	<b>50-8110</b>	\$20.95	
<b>16. Breather screw</b>			
Standard length .....	<b>17-0338</b>	\$8.95	
<b>17. Breather screw o-ring – 5/8" O.D. (each) 11140, 11273.</b>	<b>50-8270</b>	\$2.95	
5 pack .....	<b>50-8130</b>	\$3.95	
<b>18. Breather screw o-ring – 1/2" O.D. 11110 each.</b>	<b>50-8006</b>	\$2.95	
10 pack .....	<b>50-8077</b>	\$7.95	
<b>19. Breather screw washer.</b>	<b>50-7119</b>	\$2.95	
<b>20. Breather fitting (each)</b>	<b>17-0350</b>	\$4.95	
2 pack .....	<b>17-0355</b>	\$7.95	
<b>21. Crankcase breather hose</b>			
a. XL 1978-'90 .....	<b>17-0113</b>	\$2.95	
b. XL 1991-'06 .....	 <b>17-0339</b>	\$7.95	
<b>22. Vent hose connector</b>	<b>50-8111</b>	\$2.95	
<b>23. Backplate plug 1/8"-27 (each)</b>	<b>50-8331A</b>	\$2.95	
10 pack .....	<b>50-1015</b>	\$10.95	
<b>24. Locknut – 5/16"-18 (Use with support bracket - see #26)</b>	<b>50-5021</b>	\$0.95	
<b>25. Flatwasher – 5/16" x 1/16" 6320, 70907-07, 6016, 6702</b>	<b>50-7034</b>	\$0.95	
<b>26. Support bracket</b>			
XL 1957-'85 .....	<b>17-0393</b>	\$20.95	
XL 2004-2016 .....	<b>17-0305</b>	\$13.95	
<b>27. Mounting bracket bolt – XL 1957-'90 and 2004-'06</b>	<b>50-0110</b>	\$0.95	
<b>28. Lockwasher – 5/8"</b>	<b>50-7032</b>	\$0.95	
<b>29. Flatwasher – 5/16" x 1/8"</b>	<b>50-7033</b>	\$0.95	
<b>30. Wire tie (N/S)</b>	<b>50-8003</b>	\$2.95	
<b>31. Hose clamp (N/S)</b>	<b>50-8002</b>	\$2.95	
<b>32. Air cleaner assembly (Includes: Chrome cover, backplate, filter element, and hardware kit)</b>			
XL 1957-'85 .....	<b>17-0400</b> ±	\$273.95	
XL 1986-'90 .....	<b>17-0399</b> ±	\$263.95	
XL 1991-'03 .....	<b>17-0404</b> ±	\$263.95	
<b>33. Mounting hardware package (N/S) Includes all parts needed to install air cleaners:</b>			
XL 1957-'85 .....	<b>17-0441</b> ±	\$18.95	
XL 1986-'90 .....	<b>17-0458</b> ±	\$48.95	
XL 1991-'03 .....	<b>17-0439</b>	\$58.95	
<b>34. Screw vent fitting</b>			
a. BT 1993-'99 .....	<b>17-0347</b>	\$17.95	
b. BT 1999-up .....	<b>17-0345</b>	\$20.95	
<b>35. Screw, air cleaner to head</b>	<b>17-0346</b>	\$5.95	
<b>36. Washer, silicone coated steel, XL 1991-'06, .520" (each)</b>	<b>50-7055</b>	\$2.95	
10 pack .....	<b>50-7057</b>	\$12.95	
<b>37. Spring clamps (N/S)</b>	<b>50-8001</b>	\$0.95	
<b>38. Breather conversion kit, XL 17/8" carbs (N/S)</b>	<b>17-0487</b>	\$54.95	
<i>Convert early S&amp;S air cleaners for 1991-'03 XL with o-ring breather fittings to new style breather hardware. XL kits include special insulator block, and manifold screws.</i>			
<b>(N/S) = Not Shown</b>			

# 1986–2019 HD® Sportster® Models



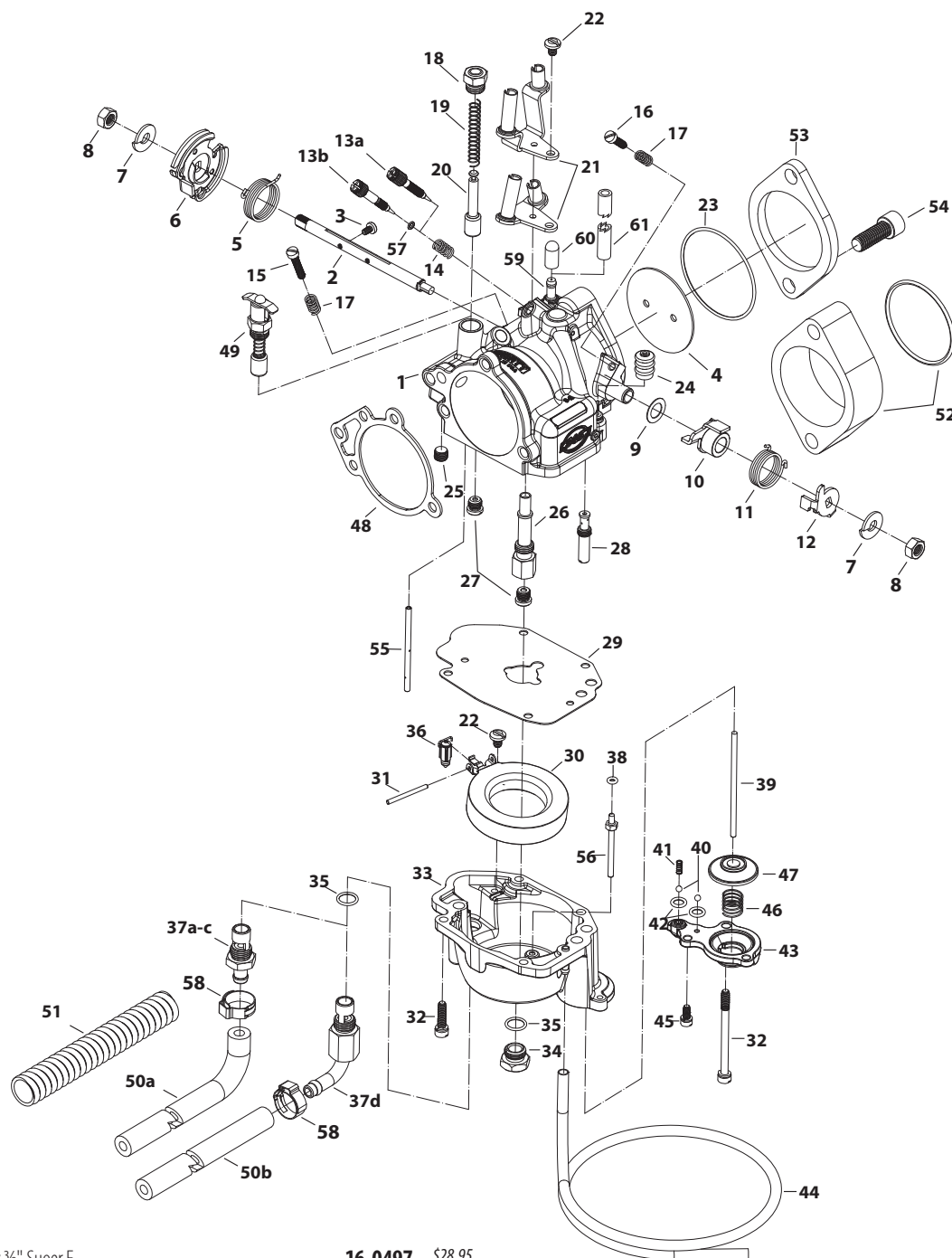
2007-2017	Milwaukee Eight
1999-2006	Twin Cam 96"/103"/110"
2014-2019	Twin Cam 88"
1986-2019	Sportster® & Buell®
1984-1999	Street & Street Rod™
1984-1999	Evolution™
1926-1984	Vintage Engines
Indian® & Victory® Models	Tools & Shop Supplies
Apparel	Warranty & Company Policy
Appendix	& Index

# SUPER E & G CARBURETOR REPLACEMENT PARTS

1. Carb body assembly			
1 7/8" Super E		11-2381 <sup>±</sup>	\$251.95
2 1/16" Super G		11-2391 <sup>±</sup>	\$262.95
2. Throttle shaft			
1 7/8" Super E – Includes two plate screws		11-2383	\$24.95
2 1/16" Super G – Includes two plate screws		11-2483	\$21.95
3. Throttle plate screw 11-2045- (two required) (each)		50-0055-S	\$2.95
10 pack		50-0064	\$9.95
4. Throttle plate			
1 7/8" Super E		11-2055	\$11.95
2 1/16" Super G		11-2355	\$16.95
5. Throttle return spring (each)		11-2382	\$2.95
5 Pack		1,2,3 11-3502	\$7.95
6. Throttle spool		1,2,3 11-2385	\$17.95
7. Throttle shaft lock washer (two required)		50-7031	\$2.95
8. Throttle shaft nut (two required) (each)		11-2350	\$2.95
5 pack		11-2363	\$7.95
9. Throttle shaft nylon washer (each)		50-7050	\$2.95
10 pack		50-7072	\$7.95
10. Pump actuator lever		11-2376	\$9.95
11. Actuator spring (each)		11-2375-S	\$2.95
5 pack		1,2,3 11-3501	\$9.95
12. Pump actuator arm		11-2377	\$3.95
13. Idle mixture screw			
a. Idle mixture screw, brass (each)		11-2354 <sup>±</sup>	\$9.95
5 pack		11-2378 <sup>±</sup>	\$41.95
b. Idle mixture screw only			
each		110-0003	\$11.95
Idle mixture screw w/ 500-0036 o-ring			
each		110-0068 <sup>±</sup>	\$12.95
5 pack		110-0069 <sup>±</sup>	\$55.95
14. Idle mixture screw spring (each)		11-2052	\$0.95
10 Pack		1,2,3 11-2060	\$7.95
15. Idle speed screw (each)		50-0038	\$2.95
10 Pack		50-0150	\$8.95
16. Pump adjustment screw (each)		50-0039	\$2.95
10 Pack		50-0146	\$5.95
17. Idle speed/pump adjuster spring (each)		11-2048	\$0.95
10 pack		1,2,3 11-2053	\$7.95
18. Plunger nut (each)		11-2344 <sup>±</sup>	\$3.95
5 Pack		11-2372 <sup>±</sup>	\$13.95
19. Plunger spring (each)		11-2340	\$2.95
10 Pack		1,2,3 11-2359	\$10.95
20. Fast idle plunger		11-2343	\$13.95
21. Cable guide assembly with screw			
Use with butterfly style cables		11-2339P	\$27.95
Use with constant velocity style cables		11-2338P	\$27.95
22. Cable clamp/float pin screw (each)		50-0041	\$2.95
10 Pack		50-0062	\$4.95
23. O-ring			
1 7/8" Super E (each)		50-8016	\$2.95
10 Pack		50-8094	\$10.95
2 1/16" Super G (each)		50-8015	\$2.95
10 pack		50-8093	\$10.95
24. Bellows seal (each)		11-2266	\$4.95
5 Pack		11-2279	\$18.95
25. Bowl vent plug (each)		50-0105	\$2.95
10 pack		50-0151	\$6.95
26. Main discharge tube		11-2085 <sup>±</sup>	\$12.95
27. Main jet – See Chart on page 284			
28. Intermediate Jets – See Chart on page 283			
Series #94 fits all Super 1 7/8", 2 1/16", 2 1/4" gas carburetors.			
29. Bowl gasket (each)		11-2386	\$3.95
10 pack		11-2387	\$27.95
30. Float		11-2187	\$21.95
31. Float pin (each)		11-2369	\$2.95
5 Pack		11-2370 <sup>±</sup>	\$7.95
32. Bowl screw			
10–24 x 3/4" – Three required (each)		50-0034	\$2.95
10 Pack		50-0063	\$14.95
10–24 x 2 3/8" – One required (each)		50-0040	\$2.95
10 Pack		50-0061	\$9.95
33. Carb bowl (only)			
Carb bowl complete assembly		1,2,3 11-2388 <sup>±</sup>	\$78.95
		1,2,3 11-2388P	\$172.95
34. Bowl plug (each)		11-2090	\$3.95
5 pack		11-2092 <sup>±</sup>	\$12.95
35. Seat o-ring*			
(required with part #11-2465 only when replaces 360° style fuel inlet.)			
each		50-8009	\$2.95
10 pack		50-8095	\$13.95
36. Needle			
1 7/8" Super E & 2 1/16" Super G		1,2,3 11-2195 <sup>±</sup>	\$13.95
Racing only		11-2197 <sup>±</sup>	\$62.95
37. Seat – Includes O-ring #35			
(Replaces obsolete seats 11-2347 and 11-2348)			
a. 1 7/8" E & 2 1/16" G (Uses part #11-2195 <sup>±</sup> needle)		11-2465	\$13.95
b. Racing only (Uses part #11-2197 <sup>±</sup> needle)		N/A	–
c. Racing only – threaded fuel inlet (6AN .157" ID)			
(Uses part #11-2195 <sup>±</sup> needle)		11-2395	\$33.95
d. Permeation Compliant fuel inlet seat Super E or G		1,2,3 106-2011	\$25.95
(Uses part #11-2195 <sup>±</sup> needle)			
38. Ejector nozzle o-ring (each)		50-8011	\$2.95
10 Pack		50-8096	\$9.95
39. Pump pushrod (each)		11-2373	\$6.95
5 Pack		1,2,3 11-2393	\$25.95
40. Check ball – (two required) (each)		50-8090	\$2.95
10 pack		50-8125	\$5.95
41. Check ball spring (each)		11-2374	\$2.95
5 Pack		1,2,3 11-2392	\$9.95
42. Pump cap o-ring – (two required) (each)		50-8012	\$2.95
10 Pack		50-8100	\$11.95
43. Pump cap assembly		1,2,3 11-2389	\$27.95
44. Overflow hose per 24" 27369-76			
(each)		19-0262-S	\$5.95
5 Pack		19-0263	\$26.95
45. Pump cap screw 8-32 – (two required) (each)		50-0042	\$2.95
10 Pack		50-0098	\$5.95
46. Diaphragm spring (each)		11-2275	\$2.95
10 pack		1,2,3 11-2278	\$7.95
47. Diaphragm		11-2282	\$15.95
48. Gasket, backplate (each)		106-1724	\$3.95
10 pack		106-2328	\$26.95
49. Enrichment device (Use with air horn only)		11-2084 <sup>±</sup>	\$26.95
50. Fuel line			
a. Fuel line With 90° bend* 19" (Use with part #11-2465)		1,2,3	N/A
b. Permeation Compliant straight, 311" x .563" x 17.5"		190-0001	\$8.95
(Use with part #106-2011, 90° seat)		1,2,3 19-0172	\$28.95
51. Fuel line insulator–12"			
52. Spacer, Kit, w/ O-ring			
1 7/8" x 1"		16-0057*	\$59.95
2 1/16" x 1"		16-0357*	\$72.95
2 1/4" x 1"		16-0157	\$69.95
*Use with 1" Spacer Block		16-0058	\$139.95
53. Insulator Block, Manifold, w/ O-ring			
1 7/8" x 1/4" Super E		16-0491	\$28.95

All reference to HD® part numbers is for identification purposes only. We in no way are implying that any of S&S Cycle's products are original equipment parts or that they are equivalent to the corresponding HD® part number shown.





1 7/8" x 3/8" Suoer E .....	<b>16-0497</b>	\$28.95
2 1/4" x 1/4" Super G .....	<b>16-0492</b>	\$28.95
2 1/4" x 3/8" Super G .....	<b>16-0498</b>	\$28.95
2 1/4" x 1/4" Super D .....	<b>16-0499</b>	\$41.95
<b>54. Screw</b>		
1" x 3/8"-16 (each) .....	<b>50-0161</b>	\$0.95
1 1/4" x 3/8"-16 (each) .....	<b>50-0162</b>	\$2.95
10 pack .....	<b>50-0177</b>	\$10.95
1 3/8" x 3/8"-16 (each) .....	<b>50-0163</b>	\$3.95
5 pack .....	<b>50-0178</b>	\$11.95
2" x 3/8"-16 (each) .....	<b>50-0164</b>	\$3.95
5 pack .....	<b>50-0185</b>	\$14.95
2004-'06 Top Carb to Manifold		
1 1/2" x 3/8"-16 .....	<b>50-0354-S</b>	\$0.95
2004-'06 Low Carb to Manifold		
1 1/2" x 3/8"-16 .....	<b>50-0351-S</b>	\$3.95
<b>55. Tube, Fast Idle Pick-Up, Super E/G, 1.25" x 2.350", Brass .....</b>	<b>0381F±</b>	\$5.95
<b>56. Tube, Ejector Nozzle, Super E/G, Flared, Brass .....</b>	<b>106-6124±</b>	\$9.95

<b>57. O-ring, 3mm x 5mm x 1mm (each) .....</b>	<b>500-0036</b>	\$2.95
10 pack .....	<b>500-0148</b>	\$7.95
<b>58. Clamp, 5/8" - 7/8" .....</b>	<b>50-8002</b>	\$2.95
<b>59. Hose, Fitting straight, .040" .....</b>	<b>16-0134</b>	\$3.95
<b>60. VOES Fitting Cap .....</b>	<b>50-8372</b>	\$2.95
<b>61. VOES/Oil Return Hose .....</b>	<b>19-0395</b>	\$3.95

\*360° banjo style fuel inlet fitting used on early S&S E&G carbs is no longer available. Replace with one of the inlet/seat fittings listed under #37 on this page. We highly recommend inlet/seat #106-2011.

± **WARNING:** Cancer and Reproductive Harm – www.P65Warnings.ca.gov

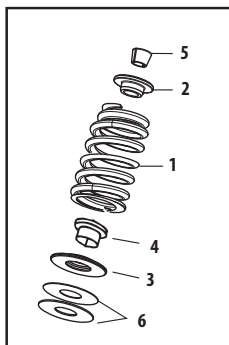
**CARBURETOR REBUILD KITS**  
**SEE PAGE 284**

# VALVE SPRING REPLACEMENT PARTS

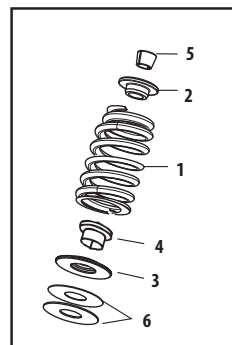
## .650" Lift Sidewinder® Valve Springs (Stock, Super Stock® & CNC Ported Cylinder Heads)

- 1. Spring, Valve .650" ..... **106-5689** \$52.95
- 2. Collar, Top, Steel ..... **106-5690** \$13.95
- 3. Collar, Bottom, Steel ..... **106-5691** \$9.95
- 4. Seal, Valve  
 S&S CNC Ported Heads & Stock w/7mm valve stem ..... **106-5688** \$3.95  
 S&S Super Stock Heads Stock w/5/16 valve stem  
     .420" Cast (each) ..... **900-0338** \$2.95  
     .562" Powder Metal (4 pack) ..... **900-0737** \$9.95
- 5. Keeper, valve spring  
 S&S CNC Ported Heads & Stock w/7mm valve stem ..... **106-5692** \$5.95  
 S&S Super Stock Heads & Stock w/5/16 valve stem ..... **90-2094-S** \$3.95
- 6. Valve Spring Shim  
     .015" (each) ..... **500-0013** \$2.95  
     .030" (each) ..... **500-0014** \$2.95

## .650" Lift Sidewinder® Valve Springs



## .585" Lift Valve Springs



## .585" Lift Valve Springs (Stock, Super Stock® & CNC Ported Cylinder Heads)

- 1. Spring, Valve .585" ..... **900-0444** \$28.95
- 2. Collar, Top ..... **900-0550** \$9.95
- 3. Collar, Bottom  
 For Stock Heads w/7mm valve stem (includes seal) ..... **900-0590** \$7.95  
 For CNC Ported Heads w/7mm valve stem ..... **900-0549** \$9.95  
 For Super Stock Heads ..... **900-0600** \$7.95
- 4. Seal, valve guide  
 For Stock Heads w/7mm valve stem (includes bottom collar) ... **900-0590** \$7.95  
 For CNC Ported Heads w/7mm valve stem ..... **106-5688** \$3.95  
 For Super Stock Heads & Stock w/5/16 valve stem  
     .420" Cast (each) ..... **900-0338** \$2.95  
     .562" Powdermetal (4 pack) ..... **900-0737** \$9.95
- 5. Keeper, valve spring  
 For Stock and CNC Ported Heads ..... **106-5692** \$5.95  
 For Super Stock Heads & Stock w/5/16 valve stem ..... **90-2094-S** \$3.95
- 6. Valve spring shim  
 For Stock and CNC Ported Heads  
     .015" ..... **500-0013** \$2.95  
     .030" ..... **500-0014** \$2.95  
 For Super Stock Heads & Stock w/5/16 valve stem  
     .015" ..... **90-2086** \$2.95  
     .030" ..... **90-2087** \$2.95

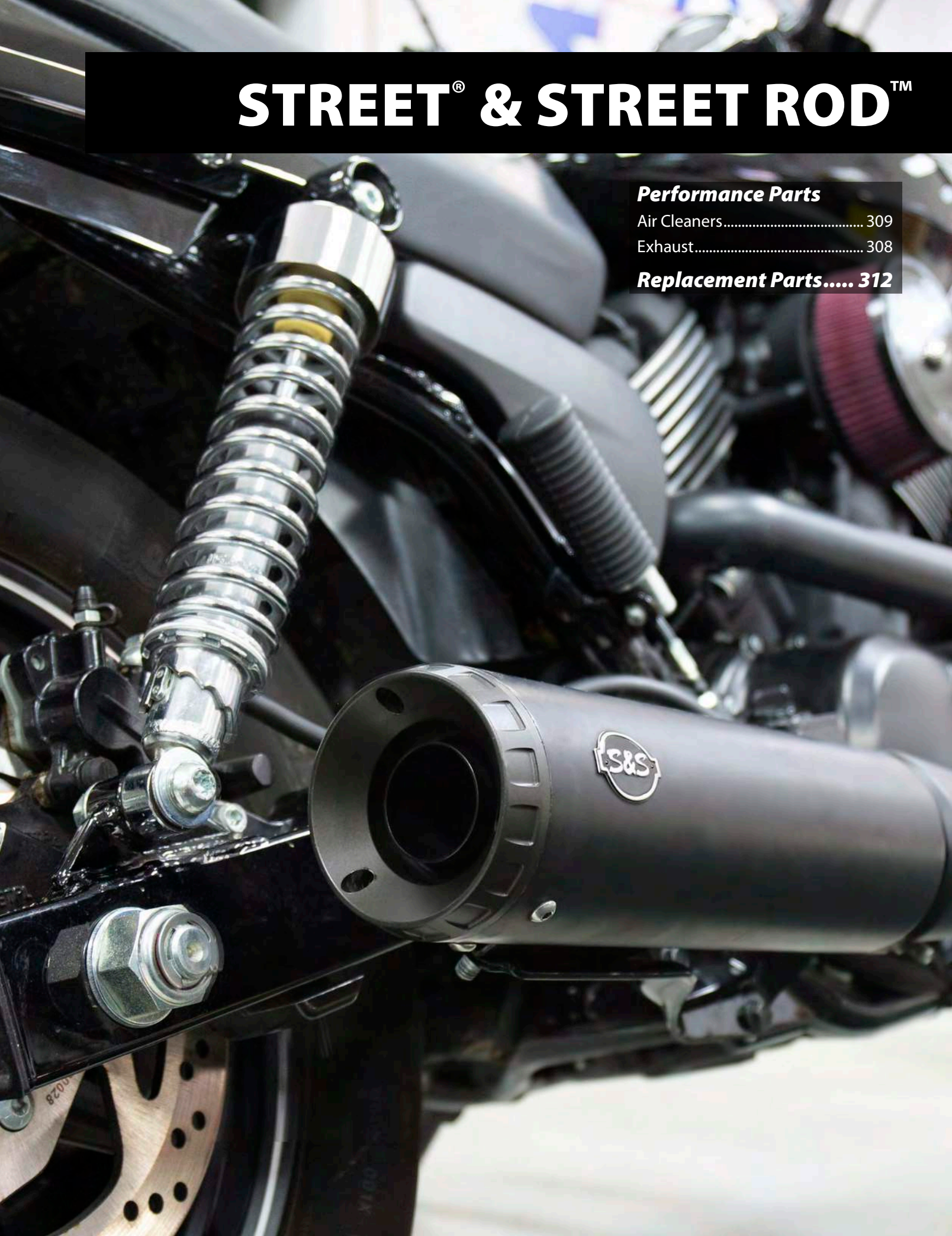
# STREET® & STREET ROD™

## *Performance Parts*

Air Cleaners..... 309

Exhaust..... 308

***Replacement Parts..... 312***



# GRAND NATIONAL® 4" SLIP-ON MUFFLER

## FITMENT

- 2014–2019 Harley-Davidson® Street XG750, XG500, & Street Rod™

## FEATURES AND BENEFITS

- 10% increase in HP & torque when coupled with S&S® Stealth Air Cleaner Kit
- Race inspired sound & stainless steel baffle
- Black ceramic finish matches stock header pipe
- SAE J2825 Sound Level Compliant
- 50-state legal
- Removable dB reducer
- Made in USA!



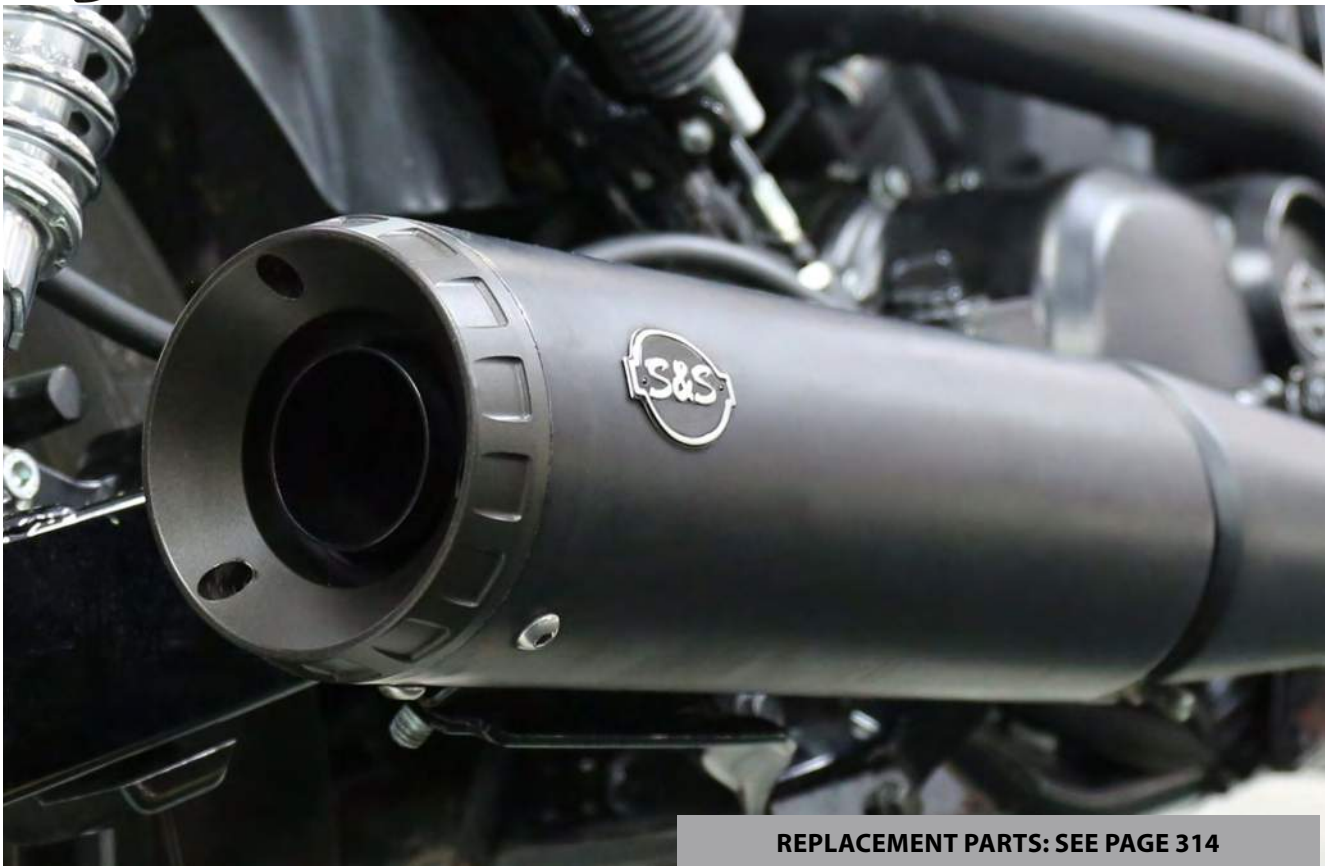
## GRAND NATIONAL 4" SLIP-ON MUFFLER FOR 2014–2019 HD® STREET® XG750, XG500 & STREET ROD™

Description	Part #	MSRP
Grand National 4" Slip-On for 2014–2019 HD Street XG750, XG500 & Street Rod	550-0703	\$299.95

\*Qualified Manufacturer Declared Emissions Replacement Part on all 2014–2019 Street Models

⚠ WARNING: Cancer and Reproductive Harm – [www.P65Warnings.ca.gov](http://www.P65Warnings.ca.gov)

# Grand National



REPLACEMENT PARTS: SEE PAGE 314

# STEALTH AIR CLEANER KITS

## 2014–2019 STREET XG750 AND XG500

### FITMENT

- 2014–2019 Street XG750 and XG500

### FEATURES AND BENEFITS

- 6.7% more horsepower and 11.6% more torque (*AC and Stock Muffler*)
- Increased air flow 290 cfm vs. stock 110cfm
- Compatible with S&S Stealth air cleaner covers (*except Airstream*)



Milwaukee  
Eight  
2007-2017  
Twin Cam  
96"/103"/110"  
1999-2006  
Twin Cam 88"  
1986-2019  
Sportster® & Buell®

2014-2019  
Street &  
Street Rod™

1984-1999  
Evolution®  
1926-1984  
Vintage Engines

Indian® &  
Victory® Models

Tools  
& Shop Supplies

Apparel

Warranty &  
Company Policy

Appendix  
& Index

### MINI TEARDROP STEALTH AIR CLEANER KITS

KIT INCLUDES STEALTH AIR CLEANER KIT 170-0374A WHICH IS EXEMPT FROM EMISSIONS TAMPERING REGULATIONS UNDER CARB EO# D-355-22.

Fitment	Fuel System	Finish	Part #	MSRP
2014–2019 Street XG750 and XG500	Stock Bore	Chrome	170-0445A±	\$304.95
		Gloss Black	170-0446A	\$304.95



± WARNING: Cancer and Reproductive Harm – www.P65Warnings.ca.gov

### STEALTH AIR CLEANER KIT FOR 2014–2018 STREET XG750 & XG500 EXEMPT FROM EMISSIONS TAMPERING REGULATIONS UNDER CARB EO# D-355-22

Description	Part #	MSRP
Stealth Air Cleaner Kit for Street	170-0374A	\$141.95



REPLACEMENT PARTS: SEE PAGE 312

# STEALTH AIR CLEANER KITS

## 2017-'19 HARLEY-DAVIDSON® STREET ROD™ MODELS



**FITMENT**

- 2017-'19 Harley-Davidson® Street Rod™

**FEATURES AND BENEFITS**

- High-strength synthetic polymer backplate — Designed to reduce heat transfer to intake air
- 210% increase in flow
- Pair with one of many covers (cover not included; see next page for options)
- Cooler, denser air allows for more efficient cylinder fill and better performance
- Pre-filters are available

**MINI TEARDROP STEALTH AIR CLEANER KITS**

KIT INCLUDES STEALTH AIR CLEANER KIT 170-0414A WHICH IS EXEMPT FROM EMISSIONS TAMPERING REGULATIONS UNDER CARB EO# D-355-22.

Fitment	Fuel System	Finish	Part #	MSRP
2017-'19 Harley-Davidson® Street Rod™ XG750A	Dual Bore	Chrome	<b>170-0443A</b> ±	\$304.95
		Gloss Black	<b>170-0444A</b>	\$304.95



± WARNING: Cancer and Reproductive Harm — www.P65Warnings.ca.gov

**STEALTH AC KIT FOR 2017-'19 HD® STREET ROD™** EXEMPT FROM EMISSIONS TAMPERING REGULATIONS UNDER CARB EO# D-355-22

Description	Part #	MSRP
Stealth Air Cleaner Kit	<b>170-0414A</b>	\$157.95



**REPLACEMENT PARTS: SEE PAGE 313**

# STEALTH AIR CLEANER KIT COVERS INCLUDING THE NEW STEALTH TEARDROP



### STEALTH TEARDROP COVER ONLY

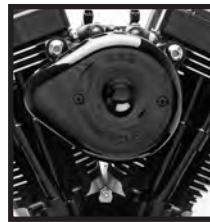
Chrome	<b>170-0530</b>	\$167.95
Gloss Black	<b>170-0531</b>	\$167.95
Slasher – Chrome	<b>170-0532</b>	\$177.95
Slasher – Gloss Black	<b>170-0533</b>	\$177.95



**Carbon Fiber**



**Mini in Chrome**



**Mini in Gloss Black**



**Tri-Spoke**



**Torker**



**Air 1**



**Airstream in Chrome**



**Airstream in Gloss Black**



**Muscle in Chrome**



**Muscle in Gloss Black**



**Bobber-dished**

Carbon Fiber	Mini		Tri-Spoke	Torker	Air 1	Bobber-Dished	
Black	Chrome	Gloss Black	Gloss Black w/Highlights	Gloss Black w/Highlights	Gloss Black w/Highlights	Chrome	Wrinkle Black
<b>170-0501</b>	<b>170-0367<sup>±</sup></b>	<b>170-0366</b>	<b>170-0210</b>	<b>170-0206</b>	<b>170-0214</b>	<b>170-0119<sup>±</sup></b>	<b>170-0123</b>
\$299.95	\$167.95	\$167.95	\$157.95	\$157.95	\$157.95	\$125.95	\$125.95

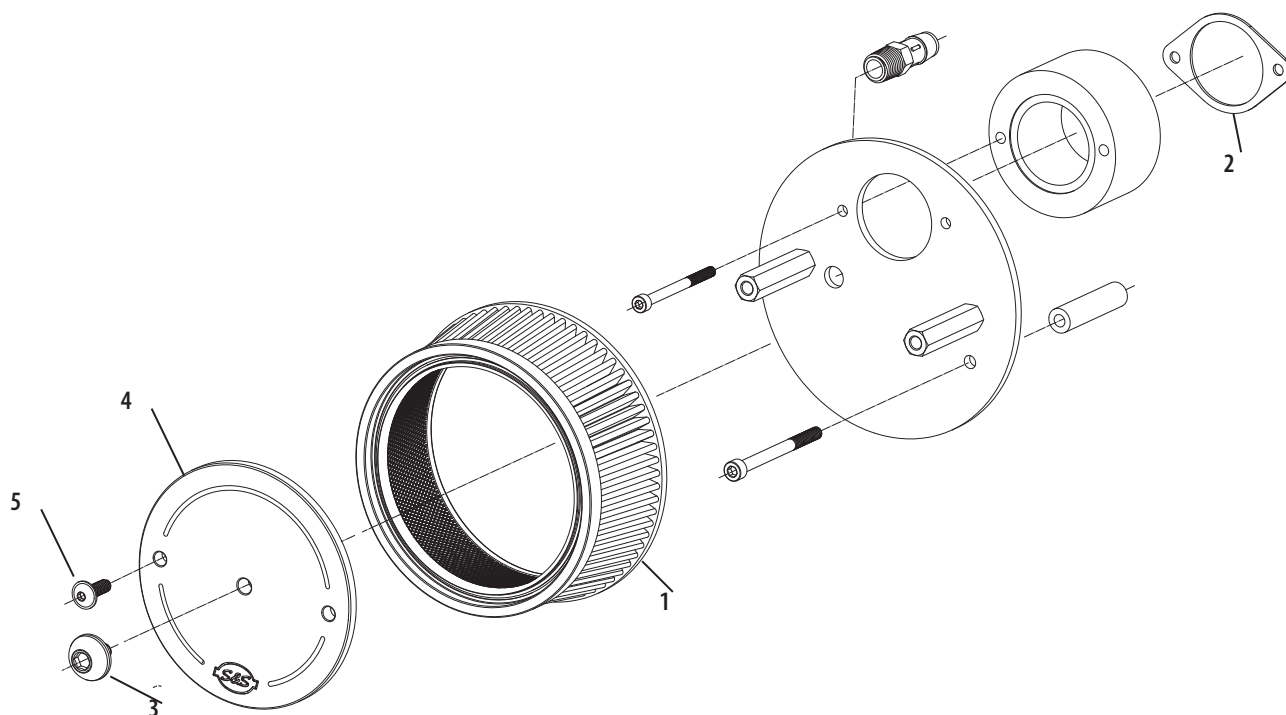
Airstream		Muscle		Displacement			Bobber-Domed	
Chrome	Gloss Black	Chrome	Gloss Black with Highlighted Logo	111	124	143	Chrome	Wrinkle Black
<b>170-0118<sup>±</sup></b>	<b>170-0396</b>	<b>170-0121<sup>±</sup></b>	<b>170-0463</b>	<b>170-0319</b>	<b>170-0321</b>	<b>170-0323</b>	<b>170-0120<sup>±</sup></b>	<b>170-0124</b>
\$157.95	\$157.95	\$178.95	\$178.95	\$171.95	\$171.95	\$171.95	\$125.95	\$125.95

<sup>±</sup> ⚠️ WARNING: Cancer and Reproductive Harm – www.P65Warnings.ca.gov

Milwaukee  
Twin Cam  
96"/103"/110"  
1999-2006  
Twin Cam 88"  
1986-2019  
Sportster® & Buell®  
2014-2019  
Street & Street Rod™  
1984-1999  
Evolution®  
1925-1984  
Vintage Engines  
Indian® & Victory® Models  
Tools & Shop Supplies  
Apparel  
Warranty & Company Policy  
Appendix & Index

# STEALTH AIR CLEANER KIT REPLACEMENT PARTS FOR STREET® MODELS

- 1. Filter,Air,Tprd,StdPlt,5.500" x 6.000" ..... **170-0126** \$42.95
- 2. Gasket,Intake,1.720" ..... **170-0371** \$4.95
- 3. Screw,SHCB,5/16-18 x .500",Pol,Stnls Stl ..... **170-0508** \$17.95
- 4. Plate,Top,Air Filter,S&S® Logo,GIBlk ..... **170-0379** \$36.95
- 5. Screw,SHC,Flng Btn,1/4-20 UNC x .750" (2 Req) ..... **500-0060** \$2.95





# STEALTH AIR CLEANER KIT REPLACEMENT PARTS FOR STREET ROD™ MODELS

- 1. Top plate, filter, air, molded, plastic ..... **170-0026** \$13.95
- 2. Filter, air, tapered, standard, pleated, 5.50" X 6.00" ..... **170-0126** \$42.95
- 3. Backplate, air cleaner, dual bore, injection molded ..... **170-0415** \$73.95
- 4. Hardware Kit, Stealth, 2017 Street Rod™ ..... **500-0690** \$47.95

*Includes: Gasket, Intake, Dual Bore 2017 Street Rod™*

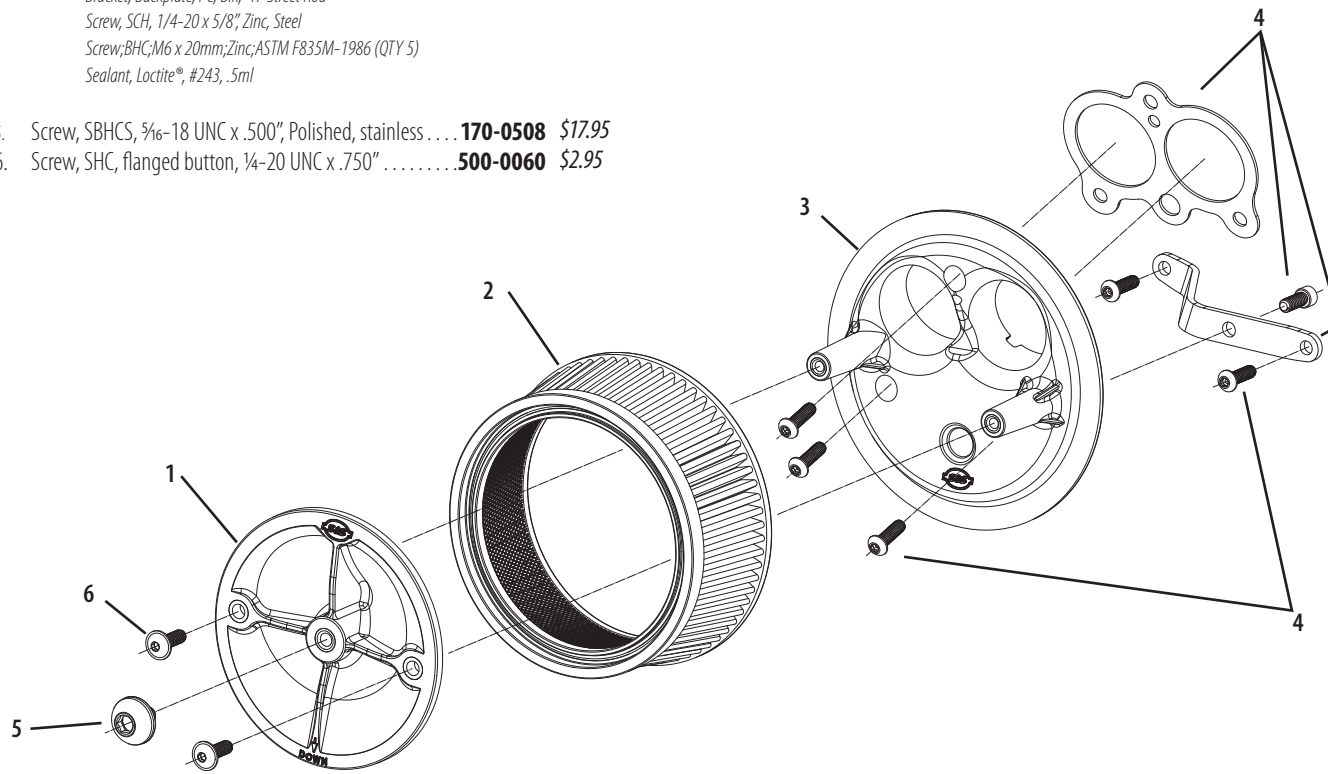
*Bracket, Backplate, PC, Blk, '17 Street Rod*

*Screw, SCH, 1/4-20 x 5/8", Zinc, Steel*

*Screw, BHC, M6 x 20mm; Zinc; ASTM F835M-1986 (QTY 5)*

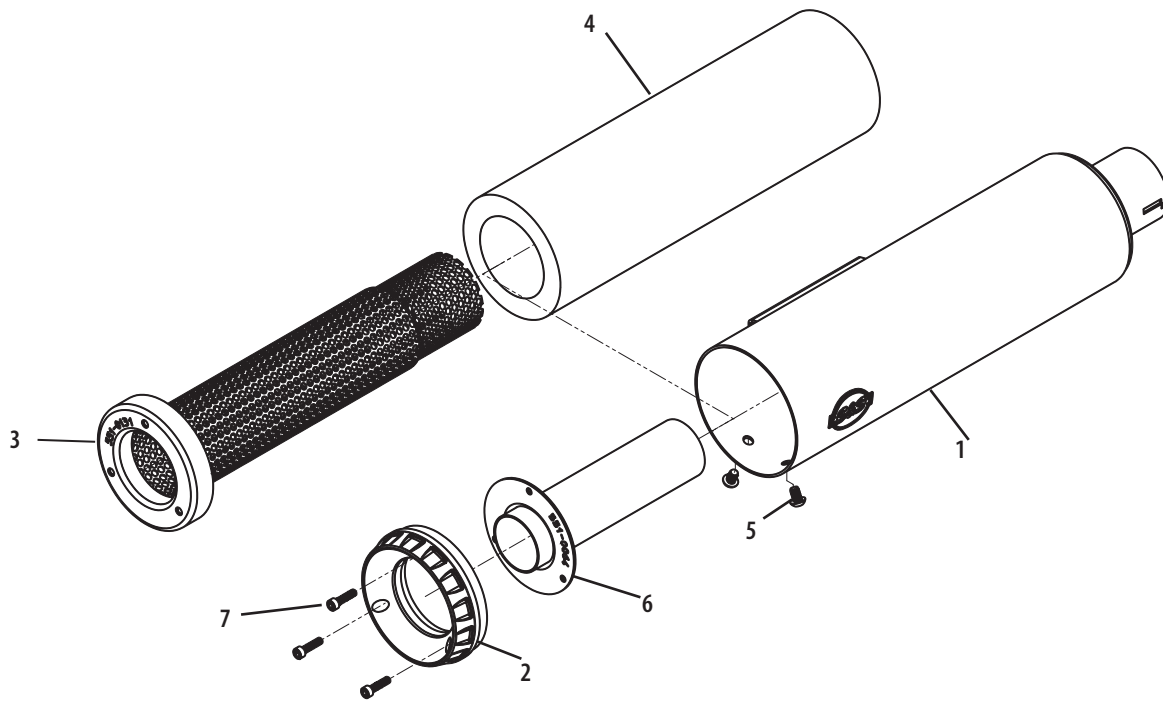
*Sealant, Loctite®, #243, .5ml*

- 5. Screw, SBHCS, 5/16-18 UNC x .500", Polished, stainless .... **170-0508** \$17.95
- 6. Screw, SHC, flanged button, 1/4-20 UNC x .750" ..... **500-0060** \$2.95



# GRAND NATIONAL 4" MUFFLER REPLACEMENT PARTS

- 1. Muffler,Body (shown for placement only)..... **N/A** -
- 2. End cap,4" ..... **551-0291** \$34.95
- 3. Baffle Assembly, 2014-2017 HD® Street® ..... **551-0270** \$64.95
- 4. Insulation,Muffler,Pillow Pack,13" x 11.5" ..... **551-0276** \$19.95
- 5. Screw,BHC,High Temp Lock Patch,1/4-20 x 3/8",Stainless Steel  
(2 Req)..... **500-0441** \$0.95
- 6. Baffle, asm, muffler, 4"..... **551-0063** \$24.95
- 7. SHCS,10-32 x .75" (3 Req)..... **500-0569** \$1.95



# 1984-'99 BIG TWINS

## **Performance Kits**

80" Hot Set Up Kit.....	329
89" Stroker Kit .....	328
96" Hot Set Up Kit.....	327
Performance Kit Overview .....	325
Sidewinder® Kits.....	326

## **Performance Engines**

49-State EPA Engines.....	335
50-State Legal Engines .....	336
V80 Engines .....	333
V96 Engines .....	333
V111 Engines.....	332
V124 Engines .....	331
V-Series Long Block.....	334

## **Performance Parts**

Air Cleaners.....	320
Camshafts.....	349
Carburetors .....	362
Crankcases .....	337
Cylinder Heads.....	356
Cylinders & Pistons .....	344
Drive Belts .....	368
Electronics.....	367
Exhaust.....	316
Flywheels.....	340
Gaskets .....	369
Gearcovers .....	343
Manifolds.....	360
Oil Pumps .....	385
Pushrods .....	352
Rocker Arms.....	355
Rocker Covers .....	359
Tappets.....	351
Valve Springs.....	354

## **Replacement Parts..... 372**

# Mk45 TOURING MUFFLERS

Mk45 4.5" Touring Mufflers are the result of decades of riding, racing and tuning. Combining both a stainless steel baffle and fiberglass packing, they create a deep rumble and improved horsepower and torque, all while adding a unique look with styled aluminum endcaps.

## FITMENT

- 1995–2016 touring models

## FEATURES AND BENEFITS

- 7 horsepower gain\*
- Bold 4.5" design — with stainless steel baffle and RaceTEX cartridge packing
- Available in show quality chrome or ceramic black finish
- Choose from S&S® Thruster or Tracer end-cap designs in chrome or black
- SAE J2825 Sound Level Compliant
- 50-state legal
- Removable dB reducer
- Made in USA!

\*Tested with S&S Power Tune® Dual Header and Stealth Air Cleaner Kit



### MK45 4.5" TOURING MUFFLERS W/ENDCAPS

Muffler Body Finish	Endcap Finish & Style	Part #	MSRP
Chrome	Chrome Thruster	<b>550-0620</b>	\$699.95
	Black Highlight Machined Thruster	<b>550-0619</b>	\$699.95
	Chrome Tracer	<b>550-0624</b>	\$699.95
	Black Highlight Machined Tracer	<b>550-0623</b>	\$699.95
Ceramic black	Chrome Thruster	<b>550-0622</b>	\$769.95
	Black Highlight Machined Thruster	<b>550-0621</b>	\$739.95
	Chrome Tracer	<b>550-0626</b>	\$769.95
	Black Highlight Machined Tracer	<b>550-0625</b>	\$739.95

DISCLAIMER: NOT LEGAL FOR SALE OR USE IN CALIFORNIA ON ANY POLLUTION CONTROLLED MOTOR VEHICLES. NOT LEGAL FOR SALE OR USE ON EPA POLLUTION CONTROLLED MOTORCYCLES ORIGINALLY EQUIPPED WITH MUFFLERS CONTAINING CATALYST.

\*QUALIFIED MANUFACTURER DECLARED EMISSIONS REPLACEMENT PART ON THE FL TOURING MODELS LISTED BELOW.

CALIFORNIA FL TOURING MODELS:

FUEL INJECTED MY 1995-2003, 2007, AND 2009-2016;

CVO MY 2000-2003, AND 2009-2016

49 STATE FL TOURING MODELS:

CARBURETED MY 1995-2005;

FUEL INJECTED MY 1995-2005, AND 2007-2016;

CVO MY 2000-2005, AND 2009-2016

**⚠️ WARNING:** Cancer and Reproductive Harm — [www.P65Warnings.ca.gov](http://www.P65Warnings.ca.gov)



550-0620



550-0622



550-0619



550-0621



550-0624



550-0623



550-0622



550-0626



Removable dB reducer

REPLACEMENT PARTS: SEE PAGE 407

# 4" GRAND NATIONAL® SLIP-ON MUFFLERS

## FITMENT

- 1995–2016 Harley-Davidson® touring models with non-catalyst mufflers

## FEATURES AND BENEFITS

- Show quality chrome or ceramic black finish
- Economical price
- High flow baffle
- Aggressive sound & excellent HP
- SAE J2825 Sound Level Compliant
- Removable dB reducer
- Made in USA!



Removable dB reducer

# Grand National

## GRAND NATIONAL® 4" MUFFLERS FOR 1995–2016 BIG TWINS

Finish	Part #	MSRP
Chrome	550-0689	\$499.95
Black	550-0690	\$539.95

DISCLAIMER: NOT LEGAL FOR SALE OR USE IN CALIFORNIA ON ANY POLLUTION CONTROLLED MOTOR VEHICLES. Not legal for sale or use on EPA pollution controlled motorcycles originally equipped with mufflers containing catalyst.

\*Qualified Manufacturer Declared Emissions Replacement Part on the FL Touring Models Listed Below.

California FL Touring Models:

Fuel Injected MY 1995–2003, 2007, and 2009–2016;

CVO MY 2000–2003, and 2009–2016

49 State FL touring Models:

Carbureted MY 1995–2005;

Fuel Injected MY 1995–2005, and 2007–2016;

CVO MY 2000–2005, and 2009–2016

⚠ WARNING: Cancer and Reproductive Harm – www.P65Warnings.ca.gov

**REPLACEMENT PARTS: SEE PAGE 408**

# SLASH CUT 4" SLIP-ON MUFFLERS

## FITMENT

- 1995–2016 Harley-Davidson® touring models with non-catalyst mufflers

## FEATURES AND BENEFITS

- Show quality chrome or ceramic black finish
- Economical price
- High flow baffle
- Aggressive sound & excellent HP
- SAE J2825 Sound Level Compliant
- Removable dB reducer
- Made in USA!



Removable dB reducer

## SLASH CUT 4" TOURING MUFFLERS FOR 1995–2016 BIG TWINS

Finish	Part #
Chrome	550-0691
Black	550-0692

DISCLAIMER: NOT LEGAL FOR SALE OR USE IN CALIFORNIA ON ANY POLLUTION CONTROLLED MOTOR VEHICLES. Not legal for sale or use on EPA pollution controlled motorcycles originally equipped with mufflers containing catalyst.

\*Qualified Manufacturer Declared Emissions Replacement Part on the FL Touring Models Listed Below.

California FL Touring Models:

Fuel Injected MY 1995–2003, 2007, and 2009–2016;

CVO MY 2000–2003, and 2009–2016

49 State FL touring Models:

Carbureted MY 1995–2005;

Fuel Injected MY 1995–2005, and 2007–2016;

CVO MY 2000–2005, and 2009–2016

WARNING: Cancer and Reproductive Harm – [www.P65Warnings.ca.gov](http://www.P65Warnings.ca.gov)

**REPLACEMENT PARTS: SEE PAGE 409**

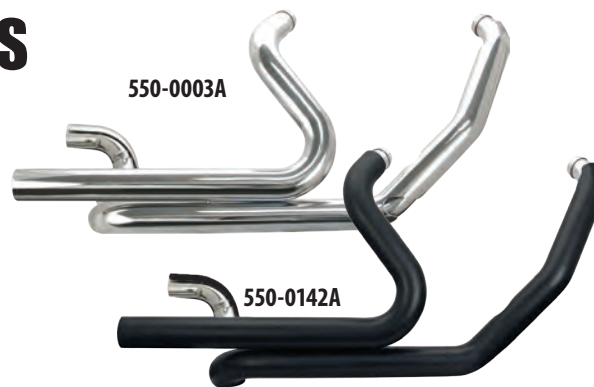
# POWER TUNE® DUAL HEADERS

## FITMENT

- Non-catalyst equipped Harley-Davidson® touring models†
- 1995–'08 touring big twins

## FEATURES AND BENEFITS

- Adds 8 horsepower over stock header pipes
- Independent dual look with hidden crossover
- Exclusive design moves the rear cylinder header away from the passenger to reduce radiated heat
- Full chrome or ceramic black heat shielding with 220° coverage
- Updated styling to give the bike a modern look
- Oxygen sensor bungs\*
- Spherical inlet design for improved sealing and exhaust gasket durability
- Hardware included to mount crossover pipe
- Exhaust port gaskets included
- Made in the U.S.A.



## POWER TUNE® DUAL HEADERS

Fitment	Finish	Part #	MSRP
1995–'08* big twins	Chrome	<b>550-0003A</b>	\$549.95
	Black	<b>550-0142A</b>	\$649.95

\*Has 18mm sensor fittings in the stock locations for 2007–'08 bikes. If not equipped with oxygen sensors, the ports can be used for tuning. Plugs are included if ports are not used.

DISCLAIMER: NOT LEGAL FOR SALE OR USE IN CALIFORNIA ON ANY POLLUTION CONTROLLED MOTOR VEHICLE. Not legal for sale or use on EPA pollution controlled vehicles originally equipped with catalyist.

\*Qualified manufacturer declared emissions replacement part on FL touring models listed below.

California Models:

FL Touring Fuel Injected MY 1995–2003, and 2007

CVO FL Touring MY 2000–2003

49 State Models:

FL Touring Carbureted MY 1995–2005

FL Touring Fuel Injected MY 1995–2005 and 2007–2008

CVO FL Touring MY 2000–2005

**⚠** WARNING: Cancer and Reproductive Harm – [www.P65Warnings.ca.gov](http://www.P65Warnings.ca.gov)

## SPECIAL NOTES

It may be necessary to re-jet the carburetor or recalibrate the fuel injection system for best performance when a change is made in the exhaust system.

Dyno results are from tests performed at the S&S® Research and Development facility in Viola, Wisconsin.

**REPLACEMENT PARTS: SEE PAGE 410**

# STEALTH AIR CLEANER KITS

## FITMENT

- 1993–'99 big twins

## NOTES

Fuel injection tuning is not required for this product

### REPLACEMENT PARTS: SEE 392

## FEATURES AND BENEFITS

- Air directional stinger cone in the filter
- Use with any of several S&S designed covers. See PAGE 321
- Or use with your stock Harley-Davidson® Twin Cam 88®, 96™ or 103™ air cleaner cover — *the word "sleeper" comes to mind (except 2015 air cleaner covers)*
- High flow (1" taller) filter kit available



Airstream in Chrome

### AIRSTREAM COVER IN CHROME PLUS STEALTH AIR CLEANER KIT±

Application	Fuel System	Part #	MSRP
1993–'99 bt	Stock CV	<b>170-0055</b>	\$304.95
	S&S Super E & G Carbs	<b>170-0062</b>	\$304.95

DISCLAIMER: NOT LEGAL FOR SALE OR USE IN CALIFORNIA ON ANY POLLUTION CONTROLLED MOTOR VEHICLE. Not legal for sale or use on any EPA pollution controlled motor vehicle.

± WARNING: Cancer and Reproductive Harm — www.P65Warnings.ca.gov



### MUSCLE COVER IN CHROME PLUS STEALTH AIR CLEANER KIT±

Application	Fuel System	Part #	MSRP
1993–'99 bt	Stock CV	<b>170-0103</b>	\$272.95
	S&S Super E & G Carbs	<b>170-0109</b>	\$272.95

DISCLAIMER: NOT LEGAL FOR SALE OR USE IN CALIFORNIA ON ANY POLLUTION CONTROLLED MOTOR VEHICLE. Not legal for sale or use on any EPA pollution controlled motor vehicle.

± WARNING: Cancer and Reproductive Harm — www.P65Warnings.ca.gov



### BOBBER-DISHED COVER IN CHROME PLUS STEALTH AIR CLEANER KIT±

Application	Fuel System	Part #	MSRP
1993–'99 bt	Stock CV	<b>170-0101</b>	\$272.95
	S&S Super E & G Carbs	<b>170-0107</b>	\$272.95

DISCLAIMER: NOT LEGAL FOR SALE OR USE IN CALIFORNIA ON ANY POLLUTION CONTROLLED MOTOR VEHICLE. Not legal for sale or use on any EPA pollution controlled motor vehicle.

± WARNING: Cancer and Reproductive Harm — www.P65Warnings.ca.gov



### BOBBER-DOMED COVER IN CHROME PLUS STEALTH AIR CLEANER KIT±

Application	Fuel System	Part #	MSRP
1993–'99 bt	Stock CV	<b>170-0102</b>	\$314.95
	S&S Super E & G Carbs	<b>170-0108</b>	\$314.95

DISCLAIMER: NOT LEGAL FOR SALE OR USE IN CALIFORNIA ON ANY POLLUTION CONTROLLED MOTOR VEHICLE. Not legal for sale or use on any EPA pollution controlled motor vehicle.

± WARNING: Cancer and Reproductive Harm — www.P65Warnings.ca.gov



### STEALTH AIR CLEANER KITS\* — NO COVER

Application	Fuel System	Part #	MSRP
1993–'99 bt	Stock CV	<b>170-0100</b>	\$157.95
	S&S Super E & G Carbs	<b>170-0057</b>	\$157.95

DISCLAIMER: NOT LEGAL FOR SALE OR USE IN CALIFORNIA ON ANY POLLUTION CONTROLLED MOTOR VEHICLE. Not legal for sale or use on any EPA pollution controlled motor vehicle.

\*These kits do not contain covers — Choose an S&S cover on PAGE 321

### STEALTH AIR CLEANER KITS FOR S&S ENGINES

Fitment	Fuel System	Part #	MSRP
V111 Long Block 1984–'99 bt (p/n 310-0766)	S&S E or G Carburetor	<b>170-0057</b>	\$157.95
V111 Long Block 1984–'99 bt (p/n 310-0766)	Stock CV/EFI Delphi®	<b>170-0100</b>	\$157.95
V80 Long Block 1984–'99 bt (p/n 310-0233 & 310-0232)	S&S E or G Carburetor	<b>170-0057</b>	\$157.95
V80 Long Block 1984–'99 bt (p/n 310-0233 & 310-0232)	Stock CV/EFI Delphi®	<b>170-0100</b>	\$157.95
1995–1999 S&S Super Stock Engines	S&S Single Bore VFI 52mm Throttle Bodies	<b>170-0287</b>	\$209.95
1995–1999 EFI big twins	S&S Single Bore VFI 58mm Throttle Bodies	<b>170-0283</b>	\$209.95
1999–2017 EFI big twins	S&S Single Bore VFI 58mm Throttle Bodies	<b>170-0284</b>	\$209.95

DISCLAIMER: NOT LEGAL FOR SALE OR USE IN CALIFORNIA ON ANY POLLUTION CONTROLLED MOTOR VEHICLE. Not legal for sale or use on any EPA pollution controlled motor vehicle.



# STEALTH AIR CLEANER KIT COVERS INCLUDING THE NEW STEALTH TEARDROP



### STEALTH TEARDROP COVER ONLY

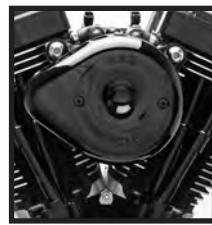
Chrome	<b>170-0530</b>	\$167.95
Gloss Black	<b>170-0531</b>	\$167.95
Slasher – Chrome	<b>170-0532</b>	\$177.95
Slasher – Gloss Black	<b>170-0533</b>	\$177.95



Carbon Fiber



Mini in Chrome



Mini in Gloss Black



Tri-Spoke



Torker



Air 1



Airstream in Chrome



Airstream in Gloss Black



Muscle in Chrome



Muscle in Gloss Black



Bobber-dished



111



124



143

### STEALTH COVERS

Carbon Fiber	Mini		Tri-Spoke	Torker	Air 1	Bobber-Dished	
Black	Chrome	Gloss Black	Gloss Black w/Highlights	Gloss Black w/Highlights	Gloss Black w/Highlights	Chrome	Wrinkle Black
<b>170-0501</b>	<b>170-0367<sup>±</sup></b>	<b>170-0366</b>	<b>170-0210</b>	<b>170-0206</b>	<b>170-0214</b>	<b>170-0119<sup>±</sup></b>	<b>170-0123</b>
\$299.95	\$167.95	\$167.95	\$157.95	\$157.95	\$157.95	\$125.95	\$125.95

Airstream		Muscle		Displacement			Bobber-Domed	
Chrome	Gloss Black	Chrome	Gloss Black with Highlighted Logo	111	124	143	Chrome	Wrinkle Black
<b>170-0118<sup>±</sup></b>	<b>170-0396</b>	<b>170-0121<sup>±</sup></b>	<b>170-0463</b>	<b>170-0319</b>	<b>170-0321</b>	<b>170-0323</b>	<b>170-0120<sup>±</sup></b>	<b>170-0124</b>
\$157.95	\$157.95	\$178.95	\$178.95	\$171.95	\$171.95	\$171.95	\$125.95	\$125.95

<sup>±</sup> ⚠️ WARNING: Cancer and Reproductive Harm – www.P65Warnings.ca.gov

Milwaukee  
Eight  
2007-2017  
Twin Cam  
96"/103"/110"  
1999-2006  
Twin Cam 88°  
1986-2019  
Sportster® & Buell®  
2014-2019  
Street &  
Street Rod™  
1984-1999  
Evolution®  
1926-1984  
Vintage Engines  
Indian® &  
Victory® Models  
Tools  
& Shop Supplies  
Apparel  
Warranty &  
Company Policy  
& Index

# CLASSIC TEARDROP AIR CLEANER KIT

## FITMENT

- 1984–'99 big twins
- S&S V-Series engines

## FEATURES AND BENEFITS

- Uniquely designed backplate has air horn style radiused entryway to reduce turbulence
- Dimpled cover with directional air cone on inside creates smooth path for air
- Great addition to performance exhaust or cams

## KIT CONTENTS

- Filter
- Classic Teardrop air cleaner cover
- Backing plate
- All mounting hardware



## CLASSIC TEARDROP AIR CLEANER KITS

Model/Engine	Finish	Stock Carb/EFI		S&S Super E/G	
1993–'06 carbureted big twins	Chrome	17-0450±	\$263.95	17-0404±	\$263.95
	Gloss Black	170-0181A	\$263.95	–	–
1990–'92	Chrome	–	–	17-0399±	\$263.95
1984–'89	Chrome	–	–	17-0399±	\$263.95
S&S 4 1/8" Bore Engines	Slasher Chrome	–	–	17-0416±	\$263.95

DISCLAIMER: NOT LEGAL FOR SALE OR USE IN CALIFORNIA ON ANY POLLUTION CONTROLLED MOTOR VEHICLE. Not legal for sale or use on any EPA pollution controlled motor vehicle.

± ⚠️ WARNING: Cancer and Reproductive Harm – www.P65Warnings.ca.gov

## CLASSIC TEARDROP AIR CLEANER KITS S&S SINGLE BORE EFI±

Model/Engine	Finish	58mm	MSRP
S&S 4 1/8" Bore Engines	Chrome	106-4668	\$256.95

DISCLAIMER: NOT LEGAL FOR SALE OR USE IN CALIFORNIA ON ANY POLLUTION CONTROLLED MOTOR VEHICLE. Not legal for sale or use on any EPA pollution controlled motor vehicle.

± ⚠️ WARNING: Cancer and Reproductive Harm – www.P65Warnings.ca.gov

## REPLACEMENT PARTS STARTING ON PAGE 394



## TEARDROP AIR CLEANER COVERS

Style	Finish	Part #	MSRP
Mini	Chrome	170-0367±	\$167.95
	Gloss Black	170-0366	\$167.95
Classic Teardrop	Chrome	17-0378±	\$158.95
	Gloss Black	170-0384A	\$158.95
Slasher Teardrop	Chrome	17-0004±	\$158.95
	Gloss Black	170-0419	\$157.95
Nostalgic Teardrop	Polished	17-0071	\$183.95

± ⚠️ WARNING: Cancer and Reproductive Harm – www.P65Warnings.ca.gov

## NOTE

Fuel delivery (carbureted or EFI) may need to be modified to maintain the correct air and fuel mixture.

# CARB EXEMPT AIR CLEANER KITS

## FITMENT

- 50-State emissions compliant S&S V-Series engines

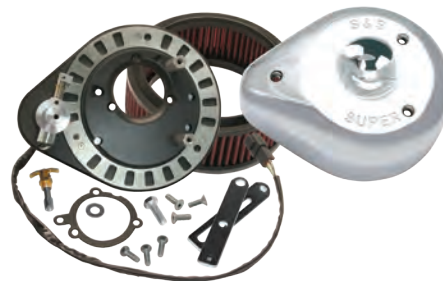
## KIT CONTENTS

- Filter
- Cover
- Valve assembly, backplate, sealed air cleaner
- Necessary mounting hardware and o-rings

### SEALED AIR CLEANER KITS<sup>‡</sup>

Engine	Part #	MSRP
V96, V100, V113	<b>106-1449</b>	\$827.95
V111, V117, V124	<b>106-3082</b>	\$827.95

<sup>‡</sup> WARNING: Cancer and Reproductive Harm – www.P65Warnings.ca.gov



**106-1449<sup>‡</sup>**

S&S® sealed air cleaner kit uses a solenoid operated nickel plated rotary valve to keep hydrocarbons from escaping into the atmosphere when the engine is not running, but opens to allow air to enter when the starter button is depressed.

# SINGLE BORE TUNED INDUCTION SYSTEM

## FITMENT

- 1984–'99 big twin
- S&S V-Series

## FEATURES AND BENEFITS

- Bolt-on performance – over twice the filtering area over stock intake system
- Increases horsepower and torque across the rpm range using air column inertia and carefully timed gas dynamic pressure waves
- Smooth intake tract of carefully selected tuned lengths increases performance
- High flow washable and reusable cotton media provides performance, protection, and economy

### SINGLE BORE TUNED INDUCTION SYSTEM KITS<sup>‡</sup>

Fitment	Fuel Delivery	Finish	Part #	MSRP
4 1/8" Bore S&S V-Series	S&S Single Bore EFI	Chrome/Red Filters	<b>170-0083</b>	\$629.95
4 1/8" Bore S&S V-Series	S&S Super E/G	Chrome/Red Filters	<b>170-0084</b>	\$629.95
1984–'99 big twins	S&S Single Bore EFI	Chrome/Red Filters	<b>170-0085</b>	\$629.95
1984–'99 big twins	S&S Super E/G	Chrome/Red Filters	<b>170-0086</b>	\$629.95
1984–'06 big twins	Stock CV	Chrome/Red Filters	<b>170-0087</b>	\$629.95
	Specify	Specify	<b>106-5337*</b>	Call for Pricing

DISCLAIMER: NOT LEGAL FOR SALE OR USE IN CALIFORNIA ON ANY POLLUTION CONTROLLED MOTOR VEHICLE. Not legal for sale or use on any EPA pollution controlled motor vehicle.

\*Use the Configure to Order (CTO) Part # to order different finish and filter color

<sup>‡</sup> WARNING: Cancer and Reproductive Harm – www.P65Warnings.ca.gov



## NOTES

Single bore tuned induction will not fit on motorcycles equipped with fairing lower glove boxes.

Tuned induction system does not fit Dyna® Wide Glide® models due to runner to gas tank interference.

**REPLACEMENT PARTS: SEE PAGE 393**

# BREATHER CONVERSION KIT

## FITMENT

- 1993–'99 big twin

## FEATURES AND BENEFITS

- Instead of o-rings, banjo fittings are sealed with durable silicon coated washers

### BREATHER CONVERSION KIT

Application	Part #	MSRP
1993–'99 big twins	<b>17-0486</b>	\$38.95

Breather conversion kit for big twin engines updates earlier S&S air cleaner kits for 1993-'99 big twins to the latest breather hardware.



# PRE-FILTERS

## FITMENT

- S&S® Stealth Air Filters

## FEATURES AND BENEFITS

- Water resistant
- Prevents large debris from prematurely clogging filter
- Washable Nylon
- Promotes longer filter life
- Reduces the risk of water entering air intake system

### PRE-FILTERS

Application	Part #	MSRP
Standard Stealth Air Filter	<b>170-0193</b>	\$41.95
1" Tall Stealth Air Filter	<b>170-0197</b>	\$41.95



170-0197

# HIGH FLOW AIR FILTER KITS

## FITMENT

- S&S Classic Teardrop air cleaners for Super E & G carbs and S&S EFI throttle bodies

## FEATURES AND BENEFITS

- Low restriction filter element comes pre-oiled for true plug and play installation
- 1" wider filtration area provides up to 37% more airflow over standard S&S filters
- Resulting band of exposed filter material imparts a high performance look

## KIT CONTENTS

- Wide filter
- Filter spacers

### HIGH FLOW AIR FILTERS

Description	Fitment	Part #	MSRP
High Flow Air Filter Kit <i>(includes spacers)</i>	Classic Teardrop	<b>17-0045</b>	\$58.95
	Stealth, 1" Taller	<b>170-0127*</b>	\$71.95
1" Taller Filter Only		<b>106-4724</b>	\$25.95
	Stealth	<b>170-0154</b>	\$46.95
Spacer	Classic Teardrop & Stealth, 1" Taller	<b>50-5009-S</b>	\$13.95

\*DISCLAIMER: NOT LEGAL FOR SALE OR USE IN CALIFORNIA ON ANY POLLUTION CONTROLLED MOTOR VEHICLE.  
Not legal for sale or use on any EPA pollution controlled motor vehicle.



170-0127



17-0045

# STANDARD REPLACEMENT FILTERS

### STANDARD REPLACEMENT AIR FILTERS

Description	Fitment	Part #	MSRP
Standard Filter Only	Classic Teardrop	<b>106-4722</b>	\$23.95
	Stealth	<b>170-0126</b>	\$42.95

# PERFORMANCE KIT OVERVIEW

## FOR HARLEY-DAVIDSON® EVOLUTION® BIG TWIN ENGINES



### SIDEWINDER® KITS

S&S 3 7/8" big bore/stroker kits are available from 88" to 103" displacement (See PAGE 326). We recommend the 96" kit for most applications, and it is our most popular. The 96" Sidewinder is also available as a Hot Set Up Kit, which includes the extra performance goodies you need to make the most of the increased displacement. (See PAGE 327).



### 96" HOT SET UP KITS

The S&S 96" Hot Set Up Kit is built around our most popular 3 7/8" bore Sidewinder® kit. In addition to the standard flywheel assembly, cylinders, and pistons, the 96" Hot Set Up Kit includes S&S a cam shaft, carb, pushrods, and all required hardware and gaskets. The top of the line Hot Set Up Kit also includes S&S Super Stock® cylinder heads. Kits for stock heads include S&S valve springs to accommodate the high lift cam. Configure your own Hot Set Up Kit with the CTO Part #. (See PAGE 327).



### 89" STOCK BORE STROKER

S&S has been making stock bore stroker kits since the early 1960's. They're still popular today due to the excellent power gains for the money, as well as the easy installation. Stock bore strokers reuse the stock cylinders and crankcase, so the kits are economical to buy. Since they don't require expensive crankcase modifications, they are also economical to install (See PAGE 328). To ensure maximum performance, we suggest the 89" Stroker Hot Set Up Kit that also includes an S&S camshaft, carb, pushrods, and S&S cylinder heads. Configure your own Hot Set Up Kit with the CTO Part #.



### 80" HOT SET UP KITS

Boost your performance without splitting your crankcases with the 80" Hot Set Up Kit. The kit includes S&S Super Stock® cylinder heads, cam, carb, pushrods and gaskets. Installation is no more difficult than a stock top end job. Purchase pistons of the required oversize separately. (See PAGE 329).

PERFORMANCE KIT SPECIFICATIONS FOR HARLEY-DAVIDSON® EVOLUTION® BIG TWIN ENGINES									
KIT DESCRIPTION	BORE	STROKE	COMPRESSION RATIO				CAMSHAFT	HORSEPOWER	TORQUE
			Stock Heads	Performance Replacement Heads 76cc	Performance Replacement Heads 82cc	S&S® Super Stock® Heads		S&S Heads	
Sidewinder® Kit	3 7/8"	*	*	*	*	*	—	*	*
96" Hot Set Up Kit	3 7/8"	4 5/8"	9.25	10:1	9.5:1	10.2:1	585	99.5	109.9
89" Stroker Kit	3 1/2"	4 5/8"	9.25	9.4:1	8.9:1	10:1	—	95.0	97.6
89" Stroker Hot Set Up Kit	3 1/2"	4 5/8"	9.25:1	9.4:1	8.9:1	10:1	561	95.0	97.6
80" Hot Set Up Kit	3 1/2"	4 1/4"	—	—	—	10.2:1	561	83.0	85.5

*\*Specifications depend on kit selected. See PAGE 326.*

PERFORMANCE KIT CONTENTS, OPTIONS AND REQUIREMENTS FOR HARLEY-DAVIDSON® EVOLUTION® BIG TWIN ENGINES											
KIT DESCRIPTION	PACKAGE CONTENTS								MACHINING REQUIRED	CTO OPTIONS	REJETTING OR CALIBRATION CHANGE
	Flywheels	Cylinders	Pistons w/ rings	Pushrods	Camshaft	Valve Springs	Heads w/ springs	Gaskets			
Sidewinder® Kit**		●	●				①	●	③ ④		●
96" Hot Set Up Kit	●	●	●	●	●	●	①	●	③ ④	⑤ ⑥ ⑦	●
89" Stroker Kit	●	⑦	①				①		② ③		●
89" Stroker Hot Set Up Kit	●	⑦	①	●	●	●	①	●	② ③	⑤ ⑥ ⑦	●
80" Hot Set Up Kit		⑦	①	●	●		●	●	②		●

① = Optional  
 ② = Bore & hone cylinders  
 ③ = Crankcase machining crankpin clearance  
 ④ = Crankcase machining for cylinder spigots  
 ⑤ = Camshaft selection  
 ⑥ = Combustion chamber size selection  
 ⑦ = Cylinder & piston set available

*\*The CTO option column lists only the major items offered. Virtually any option can be selected from our product offerings through the Configure To Order (CTO) program.  
 \*\*Specifications depend on kit selected*

# SIDEWINDER® KITS

## FITMENT

- 1984–'99 carbureted
- 1995–'98 EFI engines

## FEATURES AND BENEFITS

- Large displacement at a relatively small price
- Significant increase in horsepower and torque

## OPTIONS

- 96" displacements available
- Top end kits for 80" engines and engines with S&S 89" stroker kits
- Valve train items — Cams, tappets, valve springs, rocker arms, rocker covers
- Fuel systems — Manifolds, carburetors, EFI throttle bodies, EFI modules
- Factory installation available



COMPLETE S&S® SIDEWINDER® KITS FOR HARLEY-DAVIDSON® EVOLUTION® BIG TWIN ENGINES SPECIFICATIONS			
Displacement	Stroke	Compression Ratio	Cylinder Length
96"	4 $\frac{3}{8}$ "	9.75:1	5.565"

## COMPLETE S&S® SIDEWINDER® KITS FOR HARLEY-DAVIDSON® EVOLUTION® BIG TWIN ENGINES

Displacement	Natural	MSRP	WBlack	MSRP
96"	<b>91-7202*</b>	\$1,049.95	<b>91-7702*</b>	\$1,154.95
	<b>91-7660</b>	\$2,099.95	<b>91-7661</b>	\$2,099.95

\*Denotes big bore Top End Kit only.

DISCLAIMER: NOT LEGAL FOR SALE OR USE IN CALIFORNIA ON ANY POLLUTION CONTROLLED MOTOR VEHICLE. Not legal for sale or use on any EPA pollution controlled motor vehicle.

## NOTES

Cases must be bored to accept 3 $\frac{3}{8}$ " bore cylinders, and a minor crankcase clearancing operation for the crankpin nut must be performed.

### EXTRA PARTS NEEDED:

1977–'89 style pinion gear and oil pump drive gears must be used when installing S&S flywheels in 1990–'99 engines.

# 96" HOT SET UP KIT®

## FITMENT

- 1984–'99 carbureted engines
- 1995–'98 EFI engines

## FEATURES AND BENEFITS

- Economical route to a large displacement motor
- Enhance performance with the addition of S&S® Super Stock® cylinder heads
- Includes a 96" Sidewinder® kit with 4½" stroker flywheels assembled with mainshafts and rods, 35/8" bore cylinder and piston kit, an S&S 585 cam, .585" valve springs, adjustable chromoly pushrods, an HL<sub>2</sub>T kit, a Super E carb kit, and installation instructions

## OPTIONS

- Kits are available with S&S Super Stock® heads or without heads if S&S Performance Replacement heads or stock heads will be used

S&S® 96" HOT SET UP KIT® SPECIFICATIONS							
Displacement	Stroke	Bore	Compression Ratio			Piston Type	Cylinder Length
			Stock Heads	S&S Super Stock Heads	S&S 82cc Performance Replacement Heads		
96"	4½"	3½"	9.75:1	10.1:1	9.5:1	Forged	5.565"

## 96" HOT SET UP KIT® WITHOUT HEADS FOR HARLEY-DAVIDSON® EVOLUTION® ENGINES

Year Group	Stroke	Fuel Delivery	Cam	Finish	Part #	MSRP
1984–'92 bt	4½"	Super E	585	WBlack	<b>32-2298</b>	\$3,149.95
1993–'99 bt	4½"	Super E	585	Natural	<b>32-2297</b>	\$3,149.95
				WBlack	<b>32-2299</b>	\$3,149.95

DISCLAIMER: NOT LEGAL FOR SALE OR USE IN CALIFORNIA ON ANY POLLUTION CONTROLLED MOTOR VEHICLE. Not legal for sale or use on any EPA pollution controlled motor vehicle.



32-2297

## 96" HOT SET UP KIT® WITH S&S® SUPER STOCK® HEADS FOR HARLEY-DAVIDSON® EVOLUTION® ENGINES

Year Group	Stroke	Fuel Delivery	Cam	Finish	Part #	MSRP
1993–'99 bt	4½"	Super E	585	Natural	<b>90-0122</b>	\$4,199.95
				WBlack	<b>90-0123</b>	\$4,199.95

DISCLAIMER: NOT LEGAL FOR SALE OR USE IN CALIFORNIA ON ANY POLLUTION CONTROLLED MOTOR VEHICLE. Not legal for sale or use on any EPA pollution controlled motor vehicle.



90-0122

## NOTES

IMPORTANT: 1977–'89 style pinion gears, spacer, and nut are required when installing S&S flywheel assemblies. For installation in 1990–'99 or scratch built engines, order S&S Pinion Shaft Conversion Kit 33-4148.

Milwaukee  
Twin Cam  
96"/103"/110"  
1999-2006  
Twin Cam 88"  
1986-2019  
Sportster® & Buell®  
2014-2019  
Street® &  
Street Rod®

1984-1999  
Evolution®  
1926-1984  
Vintage Engines

Indian® &  
Victory® Models

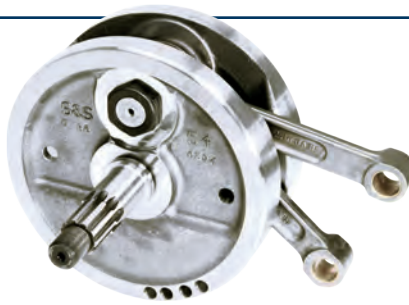
Tools  
& Shop Supplies

Apparel

Warranty &  
Company Policy

Appendix  
& Index

# 89" STROKER KIT



## FITMENT

- 1984–'99 carbureted engines
- 1995–'98 EFI engines

## FEATURES AND BENEFITS

- Stock, S&S Super Stock® or performance replacement heads can be used with this configuration, depending on which pistons are purchased with the stroker flywheels.
- 89" strokers can be installed in carbureted or fuel injected engines. Note that recalibration of the fuel injection system is required.
- Requires a simple crankcase clearance operation and normal piston fitting.
- Low cost boost in performance — Add S&S 3½" cylinders later for 96" engine

### FLYWHEEL ASSEMBLIES FOR S&S® 89" STOCK BORE STROKER KITS FOR HARLEY-DAVIDSON® EVOLUTION® ENGINES

Application	Part #	MSRP
Carbureted	<b>32-2230</b>	\$1,323.95
Fuel Injected	<b>32-2146</b>	\$1,323.95

### S&S® 89" STOCK BORE STROKER KITS FOR HARLEY-DAVIDSON® EVOLUTION® ENGINES SPECIFICATIONS

Displacement	Stroke	Bore	Compression Ratio*	Piston Type	Cylinder Length
89"	4⅝"	3½"	9.25:1	Forged	Stock

\*Compression ratio with stock heads.

1990 and later installations require 1977 to 1989 pinion shaft gears. Kit 33-4148 includes cam and oil pump drive gears, spacer and nut.



**THESE KITS REQUIRES SPECIAL S&S PISTONS.** Order the required piston oversize from the chart below.



### 3½" BORE FORGED STROKER PISTON KITS FOR STOCK HEADS OR S&S PERFORMANCE REPLACEMENT HEADS

Standard	MSRP	+ .010"	MSRP	+ .020"	MSRP	+ .030"	MSRP
<b>106-5554</b>	\$388.95	<b>106-5555</b>	\$388.95	<b>106-5556</b>	\$388.95	<b>106-5793</b>	\$388.95

Piston kits include set of pistons, rings, wristpins, and clips. Recommended cast piston fitment: Close: 0.0008" – 0.0013" Loose: 0.0020" – 0.0025"

### 3½" BORE FORGED PISTON KITS FOR S&S® SUPER STOCK® HEADS

Displacement	Stroke	Piston Deck Height	CR	Standard	MSRP	+0.010"	MSRP	+0.020"	MSRP
89" LC	4⅝"	1.1875"	10:1	<b>92-2046</b>	\$388.95	<b>92-2047</b>	\$388.95	<b>92-2048</b>	\$388.95
89" HC	4⅝"	1.1875"	12.2:1	<b>92-2016</b>	\$388.95	—	\$388.95	<b>92-2018</b>	\$388.95

Piston kits include set of pistons, rings, wristpins, and clips. Recommended cast piston fitment: Close: 0.0008" – 0.0013" Loose: 0.0020" – 0.0025"

## NOTES

If ordering replacement pistons for an older 89" Stroker Kit, the flywheels will require rebalancing.

S&S Super Stock cylinder heads do not have provision for the stock head temperature sensor. For this reason they are not compatible with fuel injected applications. Fuel injected stroker engines must use stock cylinder heads or S&S performance replacement heads. (See PAGE 356)



# 80" HOT SET UP KIT®

## FITMENT

- 1984–'99 carbureted engines

## FEATURES AND BENEFITS

- Installation is as easy as a stock top-end rebuild
- Flywheel rebalancing is not required
- Yields 80 cubic inches at 10.2:1 compression ratio with included S&S cylinder heads
- Includes S&S Super Stock cylinder head kit with valves and springs installed, manifold with o-rings and flanges, required hardware, top end gaskets, an S&S 561 cam, adjustable chromoly pushrods, an HL<sub>2</sub>T kit, a Super E carb kit, and installation instructions
- Pistons of the required oversize must be ordered separately. Pistons fitted to S&S cylinders are also available



### S&S® 80" HOT SET UP KIT® FOR HARLEY-DAVIDSON® EVOLUTION® ENGINES SPECIFICATIONS

Displacement	Stroke	Bore	Compression Ratio	Piston Type	Cylinder Length
80"	4¼"	3½"	10.2:1	Forged	Stock



### 80FLSS HOT SET UP KITS® WITH SUPER STOCK® CYLINDER HEADS FOR CARBURETED HD® EVOLUTION® BIG TWINS

Model Year	WBlack	MSRP	Natural	MSRP
1984–'92	<b>90-0083</b>	\$2,309.95	<b>90-0081</b>	\$2,309.95
1993–'99	<b>90-0084</b>	\$2,309.95	<b>90-0082</b>	\$2,309.95

DISCLAIMER: NOT LEGAL FOR SALE OR USE IN CALIFORNIA ON ANY POLLUTION CONTROLLED MOTOR VEHICLE. Not legal for sale or use on any EPA pollution controlled motor vehicle.



**THESE KITS REQUIRES SPECIAL S&S PISTONS.** Order the required piston oversize from the chart below.

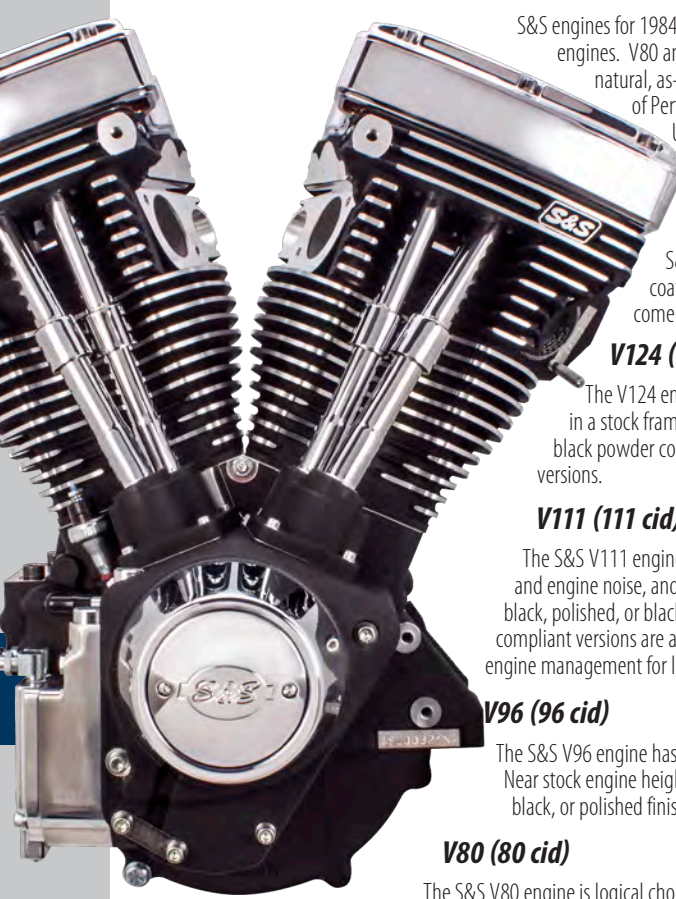


92-2026

### 92-2026 SERIES PISTONS FOR S&S® 80" HOT SET UP KITS® 10:1 COMPRESSION

Standard	92-2026 SERIES PISTONS FOR S&S® 80" HOT SET UP KITS® 10:1 COMPRESSION						CYLINDER & PISTON KIT						
	MSRP	+ .0005"	MSRP	+ .010"	MSRP	+ .020"	MSRP	+ .030"	MSRP	Natural	MSRP	WBlack	MSRP
92-2026	\$388.95	<b>92-20265</b>	\$388.95	<b>92-2027</b>	\$388.95	<b>92-2028</b>	\$388.95	<b>92-2029</b>	\$388.95	<b>91-7213</b>	\$1,049.95	<b>91-7713</b>	\$1,102.95

## ENGINE OVERVIEW



S&S engines for 1984–99 Harley Davidson® big twins with carbureted Evolution® engines are available as complete engines. V80 and V111 engines are also available as long blocks, with no fuel or ignition systems. Choose from natural, as-cast aluminum finish, wrinkle black powder coat, or Black Edition finishes. In addition to the S&S line of Performance Engines, emissions compliant engines are available that meet EPA, CARB, and European Union requirements for certain models.

### **BLACK EDITION**

S&S Cycle's new Black Edition engines combine classic wrinkle black with high gloss black powder coated covers for a subtle contrast and elegant look while still producing the power and reliability you've come to expect.

#### **V124 (124 cid)**

The V124 engine first appeared in the S&S Catalog in 2002, and being the biggest engine we make that will fit in a stock frame for this year group, has been the go-to engine for daily rider hot rods. Natural aluminum, wrinkle black powder coat, or polished finishes. Available as a complete engine only in performance and emissions compliant versions.

#### **V111 (111 cid)**

The S&S V111 engine was engineered to be the ultimate sport touring engine. The shorter stroke produces less vibration and engine noise, and it increases engine life. The 111 cid produces plenty of power. Available in natural aluminum, wrinkle black, polished, or black edition finishes. Performance versions are available as long blocks or complete engines. Emissions compliant versions are available as complete engines only. Super E carbs and HI-4N ignition modules are recommended engine management for long blocks.

#### **V96 (96 cid)**

The S&S V96 engine has been a popular choice with performance riders and builders since it was introduced in the mid-1990s. Near stock engine height makes it easy to install, and there's plenty of power to pass. Available in natural aluminum, wrinkle black, or polished finishes. Complete engines only. Performance and emissions compliant versions are available.

#### **V80 (80 cid)**

The S&S V80 engine is logical choice for riders who just want to repower their trusty Evolution® powered Harley-Davidson® big twin. With slightly more power than a stock 80" engine, the V80 offers great engine life, low vibration, and trouble free operation. Natural aluminum or wrinkle black powder coat finishes. Available as a complete engine or as a long block, without fuel or ignition systems. Super E carbs and HI-4N ignition modules are recommended engine management for long blocks.

# V124 ENGINES

## FITMENT

- 1984–'99 carbureted chassis
- Custom chassis designed for Harley-Davidson® Evolution® engines

## FEATURES AND BENEFITS

- Long piston stroke and high performance gear driven cam result in large horsepower increase over stock engine
- 1.671" diameter crankpin
- .927" wristpin
- Piston cooling jets
- Large fin pack – heads and cylinders
- Press together crankshaft
- 3 Piece Flywheel
- HVHP oil pump
- Electric compression release – easy starting under any circumstance
- Natural, Wrinkle Black (WBlack) powder coat, and polished finish. Diamond cut black powder coat, fully polished, and diamond cut fully polished finishes are available, but have longer lead times
- Chrome gearcover, tappet covers, and rocker covers

## CARBURETED ENGINES

- S&S Super G carburetor with slotted Slasher air cleaner cover
- Super Stock® ignition system

## FUEL INJECTION ENGINES

- Single bore EFI throttle body with S&S Classic Teardrop air cleaner
- Closed loop fuel system, dual oxygen sensors provide air-fuel ratio feedback for correct fuel delivery under any condition
- Included S&S ProTune II software provides base fuel maps for most aftermarket exhaust systems

NOTE: \*\*EFI models available by special order



31-9886

### S&S® V124 ENGINE SPECIFICATIONS

Displacement	Bore	Stroke	Camshaft	Piston Type	Compression Ratio
124"	4 1/8"	4 5/8"	640	S&S forged	10.8:1

## NOTES

If an aftermarket exhaust or intake system is used, the fuel maps must be modified. It is highly recommended that this tuning be done by a certified S&S® VFI tuning center. Visit our website at [www.sscycle.com](http://www.sscycle.com) to locate your nearest certified S&S VFI tuning center. S&S VFI tune files can also be found on our web page and are available for many common exhaust systems.

## V124 ENGINES<sup>±</sup>

Chassis Style	Fuel Delivery	Ignition	Warranty Period	Finish	Part #	MSRP
1984–'99 Carb	S&S® Super G Carb	Super Stock®	2 Year	Black Edition	<b>310-0925</b>	\$6,856.95
				Natural	<b>31-9860</b>	\$6,614.95
				WBlack	<b>31-9885</b>	\$6,929.95
				Polished	<b>31-9886</b>	\$7,212.95
	Specify	Specify	Varies	Specify	<b>319-0008</b>	Call for Pricing

DISCLAIMER: NOT LEGAL FOR SALE OR USE IN CALIFORNIA ON ANY POLLUTION CONTROLLED MOTOR VEHICLE. Not legal for sale or use on any EPA pollution controlled motor vehicle.

± WARNING: Cancer and Reproductive Harm – [www.P65Warnings.ca.gov](http://www.P65Warnings.ca.gov)

# V111 ENGINES

## FITMENT

- 1984–'99 carbureted chassis
- Custom chassis designed for Evolution® engines

## FEATURES AND BENEFITS

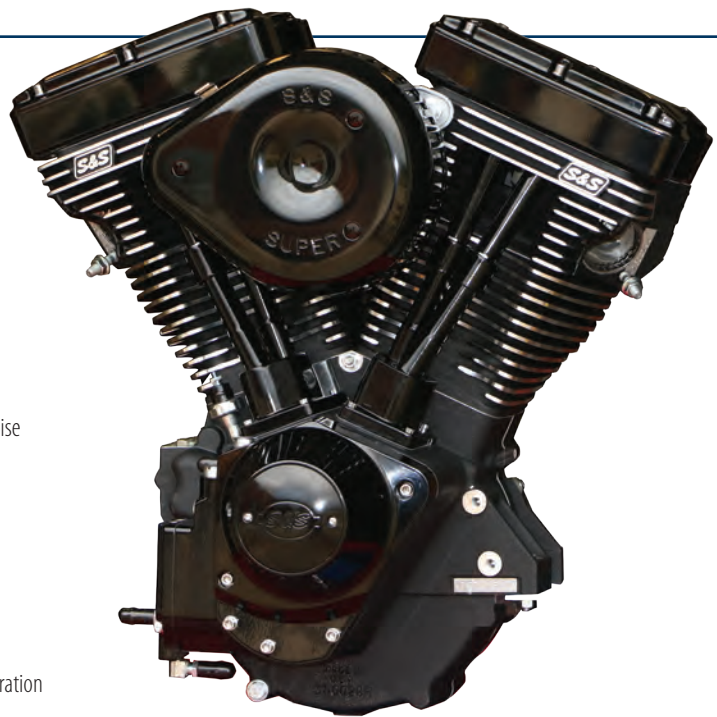
- Short stroke produces less vibration and longer engine life
- Large cooling fins - increases cooling efficiency
- HVHP (High Volume High Pressure) oil pump
- S&S 585 cam and lightweight single coil valve springs minimize valve train noise
- S&S forged rocker arms
- Shorter than stock height engine makes installation easy
- Chrome plated rocker covers, tappet guides, and gearcover

## CARBURETED ENGINES (1984–'99)

- S&S Super E carburetor with Classic Teardrop air cleaner

## Super Stock® ignition system

- Protects engine with a 3-step break-in rev-limiter during first 24-hours of operation
- Initially configured for electric start, however, it is kick-start capable
- Two-year warranty




S&S® V111 ENGINE SPECIFICATIONS					
Displacement	Bore	Stroke	Camshaft	Piston Type	Compression Ratio
111"	4 1/8"	4 1/8"	585	S&S forged	9.8:1

## COMPLETE ENGINE REBUILD GASKET KITS

S&S Engine Family	Year Group	Bore Size	Part #	MSRP
V-Series	1984–'99	4 1/8"	<b>106-0964</b> USA	\$188.95

## V111 ENGINES<sup>±</sup>

Chassis Style	Fuel Delivery	Ignition	Warranty	Finish	Part #	MSRP
1984–'99 Carb	S&S Super E Carburetor	Super Stock®	2 Year	Black Edition	<b>310-0828</b>	\$6,614.95
				Natural	<b>106-5703</b>	\$6,299.95
				WBlack & Chrome	<b>106-5704</b>	\$6,614.95
				Polished	<b>310-0385</b>	\$7,349.95
	Specify	Specify	Varies	Natural or WBlack Finish	<b>319-0008</b>	Call for Pricing

DISCLAIMER: NOT LEGAL FOR SALE OR USE IN CALIFORNIA ON ANY POLLUTION CONTROLLED MOTOR VEHICLE. Not legal for sale or use on any EPA pollution controlled motor vehicle.

<sup>±</sup>  WARNING: Cancer and Reproductive Harm – www.P65Warnings.ca.gov

# V96 ENGINES

## FITMENT

- 1984–'99 carbureted chassis
- Custom chassis designed for Evolution® engines

## FEATURES AND BENEFITS

- Nearly stock height engine makes installation easy (+.015")
- S&S Super E carburetor with Classic Teardrop air cleaner cover
- S&S 585 cam and lightweight single coil valve springs reduce engine noise
- S&S forged rocker arms
- Chrome plated rocker covers, tappet guides, and gearcover

### Super Stock® ignition

- Protects engine with a 3-step break-in rev-limiter during first 24 hours of operation
- Initially configured for electric start, however it may be switched to kick-start mode using diagnostic cable and software
- Two-year warranty



31-9955

S&S® V96 ENGINE SPECIFICATIONS					
Displacement	Bore	Stroke	Camshaft	Piston Type	Compression Ratio
96"	3 3/8"	4 3/8"	585	S&S flat top forged	9.5:1

### COMPLETE ENGINE REBUILD GASKET KITS

S&S Engine Family	Year Group	Bore Size	Part #	MSRP
V-Series	1984–'99	3 3/8"	<b>106-0992</b> USA	\$188.95

### V96 ENGINES±

Chassis Style	Fuel Delivery	Ignition	Warranty	Natural Finish	MSRP	WBlack Finish	MSRP	Polished Finish	MSRP
1984–'99 Carb	S&S Super E Carb	Super Stock®	2 Years	<b>31-9955</b>	\$5,984.95	<b>31-9956</b>	\$6,299.95	<b>31-9957</b>	\$7,034.95

DISCLAIMER: NOT LEGAL FOR SALE OR USE IN CALIFORNIA ON ANY POLLUTION CONTROLLED MOTOR VEHICLE. Not legal for sale or use on any EPA pollution controlled motor vehicle.

± WARNING: Cancer and Reproductive Harm — www.P65Warnings.ca.gov

# V80 ENGINES

## FITMENT

- 1984–1999 carbureted

## FEATURES & BENEFITS

- Adjustable pushrods
- Standard forged rocker arms
- High performance hydraulic lifters
- .585" lift single coil valve springs
- Flat top cast pistons
- 508 cam
- Performance replacement heads
- Complete engine with an S&S Super E carb and ignition



S&S® V80 ENGINE SPECIFICATIONS					
Displacement	Bore	Stroke	Camshaft	Piston Type	Compression Ratio
80"	3 1/2"	4 1/4"	508	Cast	8.4:1

### COMPLETE ENGINE REBUILD GASKET KITS

S&S Engine Family	Year Group	Bore Size	Part #	MSRP
V-Series	1984–'99	3 1/2"	<b>310-0928</b>	\$188.95

### V80 ENGINES±

Chassis Style	Fuel Delivery	Ignition	Warranty	Natural Finish	MSRP	WBlack Finish	MSRP
1984–1999	Super E	Super Stock	2 years	<b>310-0237</b>	\$5,249.95	<b>310-0238*</b>	\$5,249.95

\*EFI Compatible

DISCLAIMER: NOT LEGAL FOR SALE OR USE IN CALIFORNIA ON ANY POLLUTION CONTROLLED MOTOR VEHICLE. Not legal for sale or use on any EPA pollution controlled motor vehicle.

± WARNING: Cancer and Reproductive Harm — www.P65Warnings.ca.gov

# V-SERIES LONG BLOCKS

Why rebuild that old stock engine? Upgrade, and replace it with an all-new S&S® V111 or V80 engine. Get a 2-year warranty and a lot more power!

## FITMENT

- 1984–'99 Harley-Davidson® big twin chassis and custom frames designed for Evolution® big twin engines.

## FEATURES AND BENEFITS

- Save time — Replacement is faster than rebuilding.
- Save money — Fuel and ignition systems not included, use the carburetor, air cleaner, and aftermarket ignition you may already have.
- Specially machined cylinder heads allow use of stock length manifolds. Use your existing carb (*re-jetting is required*)
- EFI compatible — Calibration required (*must use aftermarket module or add-on tuner*).
- Premium S&S Components — S&S cylinder heads, S&S 585 valve springs, forged rocker arms
- Made in the USA!

## V111

- Easy Installation — Actually shorter than a stock engine. No clearance problems.
- More Power — 111 cubic inches at 9.8:1 compression — runs great on pump gas.
- Superior Cooling — S&S big-fin cylinders with more fin area, and exclusive oil jets to cool the bottom of the pistons.
- S&S HVHP oil pump.

For maximum performance, the following fuel and ignition products are recommended



310-0766

## CARBURETED APPLICATIONS

- S&S Super E Carb Kit - 11-0419
- S&S HI-4N Ignition Module Only - 550-0501
- S&S HI-4N Ignition, complete Kit - 550-0502

## SUGGESTED ACCESSORIES

- Stealth Air Cleaner Kits. See PAGE 320

## V-SERIES LONG BLOCK ENGINES<sup>‡</sup>

Displacement	Bore	Stroke	Camshaft	Piston Type	Compression Ratio	Warranty	Finish	Part #	MSRP
V111	4 1/8"	4 1/8"	585	Forged	9.8:1	2 Year	WBlack	<b>310-0766</b>	\$5,564.95
							Black Edition	<b>310-0829</b>	\$5,774.95
V80	3 1/2"	4 1/4"	508	Cast	8.4:1	2 Year	WBlack	<b>310-0233</b>	\$4,514.95
							Natural	<b>310-0232</b>	\$4,409.95

DISCLAIMER: NOT LEGAL FOR SALE OR USE IN CALIFORNIA ON ANY POLLUTION CONTROLLED MOTOR VEHICLE. Not legal for sale or use on any EPA pollution controlled motor vehicle.

<sup>‡</sup> ⚠️ WARNING: Cancer and Reproductive Harm — www.P65Warnings.ca.gov

# 49-STATE EPA ENGINES

Certified for “new build” bikes, S&S offers two options for 49-state EPA engine packages.

## FITMENT

- Aftermarket frames with motor mounts for 1984–’99 big twins

## FEATURES AND BENEFITS

- 49-state emissions legal
- S&S Delphi® style EFI with Classic Teardrop air cleaner cover
- Chrome gearcover, tappet covers, and rocker covers
- Includes all required certification, documentation and labels
- Two-year warranty



S&S® V-SERIES 49-STATE EPA ENGINE SPECIFICATIONS						
Engine Name	Displacement	Bore	Stroke	Camshaft	Piston Type	Compression Ratio
V124ei	124"	4 1/8"	4 5/8"	543	S&S Forged	9.0:1
V111ei	111"	4 1/8"	4 1/8"	543	S&S Forged	9.0:1

## V-SERIES 49-STATE EPA ENGINES±

Engine Name	Chassis Style	Fuel Delivery	Warranty	Finish	Part #	MSRP
V124ei	1984–’99 carb	EFI	2 years	Black	<b>310-0664</b>	\$8,399.95
				Polished	<b>310-0665</b>	\$9,449.95
V111ei	1984–’99 carb	EFI	2 years	Black	<b>310-0661</b>	\$8,084.95

± WARNING: Cancer and Reproductive Harm – [www.P65Warnings.ca.gov](http://www.P65Warnings.ca.gov)

## NOTE

These engines are not to be used in a previously certified vehicle or a custom motorcycle built from a previously certified vehicle.

S&S 49-state engine packages are only available through S&S dealers and select distributors.

Requirements for bikes built with S&S EPA certified engine packages:

Vehicles must have a maximum N/V ratio\* of no greater than 43.3 for V-Series engines.

Maximum vehicle curb mass for V124E and V111E engines is 1058 lbs.

Exhaust system selected must create back pressure within the specified limits. Min. 3" H2O, Max. 21" H2O

\*Engine rpm divided by miles per hour in top gear.

# 50-STATE LEGAL ENGINES

## FITMENT

- V96R - 1984–'98 carbureted, non catalyst bikes
- V111ci - 1984–'99 style custom big twin chassis

## V96R FEATURES AND BENEFITS

- Nearly stock height engine makes installation easy
- S&S Super E carburetor with Classic Teardrop air cleaner
- S&S forged roller rocker arms
- Chrome rocker covers
- No certification problems – documentation and compliance stickers included
- Exempt from emissions tampering regulations under CARB EO# D-355-5 when used in 1984-1998 carbureted, non-catalyst, big twin powered models

## V111CI FEATURES AND BENEFITS

- 50-state emissions legal
- S&S Super E or G carburetor with Classic Teardrop air cleaner cover
- Chrome gearcover, tappet covers, and rocker covers
- Super Stock® ignition system protects engine with a low rev-limiter during first 24 hours of operation
- Initially configured for electric start, however, it is kick start capable
- Carbon canister
- Vapor valve
- Non-permeable installation tubing
- Instructions and all required documentation
- Two-year warranty



S&S® V-SERIES 50-STATE LEGAL ENGINE SPECIFICATIONS						
Engine Name	Displacement	Bore	Stroke	Camshaft	Piston Type	Compression Ratio
V96R	96"	3¾"	4¾"	520	S&S Forged	10.1:1

## V-SERIES 50-STATE LEGAL ENGINES

Engine Name	Chassis Style	Fuel Delivery	Ignition	Warranty Period	Finish	Part #	MSRP
V111ci	1984–'99 carb	S&S EFI	S&S VFI	2 years	Wrinkle Black	<b>310-0673</b>	\$8,084.95
V96R	1984–'98 carb	Super E Carb	Super Stock®	2 years	Wrinkle Black	<b>31-9156</b> ±*	\$6,929.95
					Natural	<b>31-9155</b> ±*	\$6,509.95
V80R	1984–'98 carb	Super E Carb	Super Stock®	2 years	Wrinkle Black	<b>31-9150</b>	\$5,669.95

Exempt from emissions tampering regulations under CARB EO# D-355-5 when used in 1984-1998 carbureted, non-catalyst, big twin powered models

± WARNING: Cancer and Reproductive Harm – [www.P65Warnings.ca.gov](http://www.P65Warnings.ca.gov)

## NOTES V96R

Gearing must be stock or have an N/V Ratio\*lower than stock.

A stock non-catalyst exhaust system must be used.

The stock evaporative system must be retained and connected to the engine as shown in the manual.

S&S® replacement engines are only for use as a replacement engine in 1984-'98 Harley-Davidson motorcycles originally equipped with a carbureted, non-catalyst, big twin Evolution® engine. They may not be used in any new or previously registered custom motorcycles.

\*Engine rpm divided by miles per hour in top gear.

This replacement engine is only legal when used to replace a stock 80" Evolution® engine. CARB compliance stickers must be affixed to frame.

## V111C/V124C

Vehicles must have a maximum N/V ratio\*of no greater than 43.3 for V-Series engines.

Maximum vehicle curb mass for V111ci engines is 1058 lbs.

Exhaust system selected must create back pressure within the specified limits. Min. 3" H2O, Max. 21" H2O

Builder must return the included agreement form and required photographs of the vehicle to S&S before a manufacturer's statement of origin (MSO) for the engine can be issued.

Until the MSO is issued, the vehicle is not considered to be certified and the MSO is required to title a custom vehicle.

Maximum fuel capacity is five gallons.

\*Engine rpm divided by miles per hour in top gear.



# SHORT BLOCK ASSEMBLIES

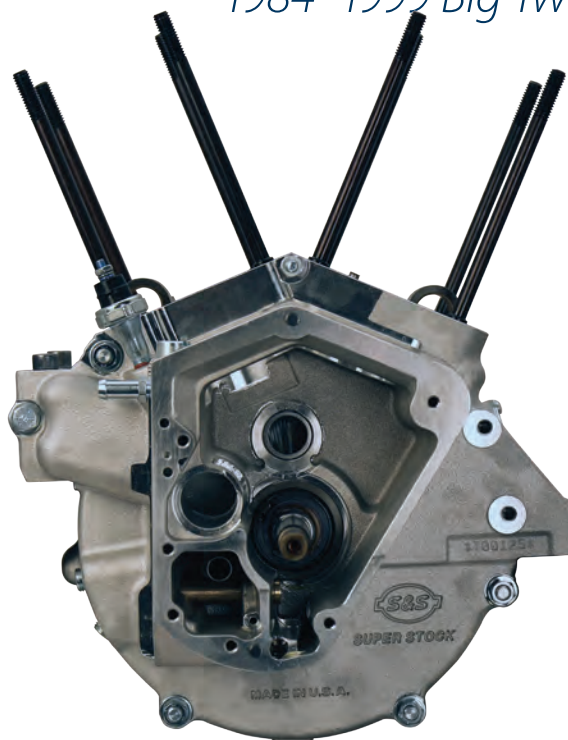
Replace your entire stock lower end with an S&S Short Block assembly! A rock solid S&S flywheel assembly, installed in a set of bullet proof S&S Super Stock® crankcases.

## FITMENT

- 1984–'99 Carbureted and Fuel Injected 80" Evolution big twin

## FEATURES AND BENEFITS

- Stock 3½" bore and 4¼" stroke
- Premium quality U.S. made S&S components
- Compatible with all stock and most aftermarket parts
- Full one year parts warranty
- Includes certificate of origin for new crankcases



## SHORT BLOCK ASSEMBLIES<sup>±</sup>

Chassis Style	Bore	Stroke	Warranty Period	Finish	Part #	MSRP
198–'91 big twins	3 ½"	4 ¼"	One year parts only	Natural	<b>310-0780A</b>	\$2,613.95
				WBlack	<b>310-0801A</b>	\$2,613.95
1992–'99 big twins				Natural	<b>310-0781A</b>	\$2,613.95
				WBlack	<b>310-0802A</b>	\$2,613.95

1977–'89 style pinion gears, spacers, and nuts are required when installing S&S flywheel assemblies.

For installation in 1990–'99 or scratch built engines, order S&S Pinion Shaft Conversion Kit

Exempt from emissions tampering regulations under CARB EO# D-355-19

<sup>±</sup> WARNING: Cancer and Reproductive Harm – www.P65Warnings.ca.gov



## PINION SHAFT CONVERSION KIT

Fitment	Part #	MSRP
1990–up big twins	<b>33-4148</b>	\$146.95

# SUPER STOCK® ALTERNATOR STYLE CRANKCASES

## FITMENT

- 1984–'99 big twins under 4" bore



## FEATURES AND BENEFITS

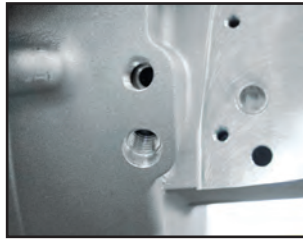
- Relocated cam chest oil pick-up increases gear case scavenging and virtually eliminates oil carry-over at sustained high speeds
- Machined to accept the stock oil filter assembly used on 1992–'99 big twins
- A ported breather passageway and a machined breather window allows the air/oil mist to flow from the flywheel cavity to the cam chest of the engine with the least possible restriction
- Crankcase venting can be achieved via two crankcase breathers, the cylinder heads, or both. We recommend using both crankcase breathers in engines larger than 95"
- Clearanced for strokes as long as 5"
- Compatible with stock 1984–'99 flywheel assemblies, primary covers and gearcovers, making them perfect for stock replacement or high performance applications
- Machined for installation of a crank position sensor. This allows the cases to be used in stock EFI applications and also allows easy installation of S&S IST® Ignition and VFI Fuel Injection. A plug kit is included for applications that do not use a crank position sensor
- Exempt from emissions tampering regulations under CARB EO# D-355-8 when used with stock bore cylinders for 3½" Bore (stock)

## OPTIONS

- Available for stock, 3⅝", and 3⅞" bore applications with deck heights as much as ¾" taller than 3½" stock

## KIT CONTENTS

- Crankcase assembly
- All required hardware, fittings, and bearings



Two crankcase breather holes allows increased flexibility.



Relocated oil scavenge pick-up reduces oil carry-over by increasing oil scavenge efficiency.

## NOTE

All S&S crankcases manufactured after June 1, 2008 do not have case interlock groove and ring and do not use case alignment studs. Case mating surface is flat, and cases are aligned with alignment dowels.

REPLACEMENT PARTS: SEE PAGE 376

## SUPER STOCK® ALTERNATOR CRANKCASES FOR 1984–'99 BIG TWIN±

Crankcase Style	Finish	3½" Bore (Stock)	MSRP	3⅝" Bore	MSRP	Notes
1992–'99	Natural	<b>31-0005***</b> 24469-83C, 24469-83A	\$1,348.95	<b>31-0077<sup>USA</sup></b>	\$1,348.95	1, 3, 4
	WBlack	<b>31-0055***</b> 24571-93, 24569-95	\$1,494.95	<b>31-0078<sup>USA</sup></b>	\$1,494.95	
1984–'91	Natural	<b>31-0000***</b> 24469-83C, 24469-83A	\$1,348.95	<b>31-0001</b>	\$1,348.95	2, 3, 4
	WBlack	<b>31-0052***</b> 24473-85C	\$1,494.95	<b>31-0053**</b>	\$1,494.95	
Special Order**		<b>31-0002*</b>	Call for Pricing	<b>31-0002</b>	Call for Pricing	

1. 1992-'99 style oil pump. 2. 1984-'91 style oil pump. 3. Machined for 1984-'99 alloy primary.  
4. Machined for stock or S&S EFI crank position sensor. Stock diameter only.

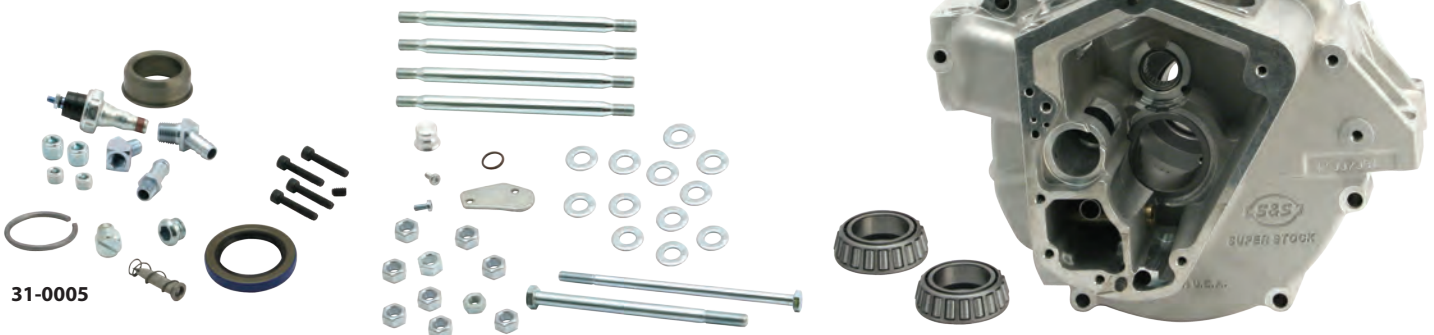
\*Special Order: Download the Special Order Form at [www.sscycle.com/soforms](http://www.sscycle.com/soforms)

\*\*DISCLAIMER: NOT LEGAL FOR SALE OR USE IN CALIFORNIA ON ANY POLLUTION CONTROLLED MOTOR VEHICLE.

Not legal for sale or use on any EPA pollution controlled motor vehicle.

\*\*\*Exempt from emissions tampering regulations under CARB EO# D-355-8 when used with stock bore cylinders

± WARNING: Cancer and Reproductive Harm — [www.P65Warnings.ca.gov](http://www.P65Warnings.ca.gov)



# SPECIAL APPLICATION CRANKCASES

## FITMENT

- 1984–'99 big twins—4" bore and over
- S&S 4", 4 1/8" bore V-Series engines

## FEATURES AND BENEFITS

- Cam chest is moved outward .250" to allow crankcases to handle large cylinder bore sizes
- Relocated cam chest oil pick-up increases gear case scavenging and virtually eliminates oil carry-over at sustained high rpm
- Machined to accept the stock oil filter assembly used on 1992–'99 big twins
- A ported breather passageway and a machined breather window allows the air/oil mist to flow from the flywheel cavity to the cam chest of the engine with the least possible restriction
- Crankcase venting can be achieved via two crankcase breathers, the cylinder heads, or both! We recommend using both crankcase breathers in engines larger than 95"
- Clearanced for strokes as long as 5"
- Machined for installation of a crank position sensor. This allows the cases to be used in EFI applications and also allows easy installation of S&S IST® Ignition and VFI Fuel Injection. A plug kit is included for applications that do not use a crank position sensor

## KIT CONTENTS

- Crankcase assembly
- All required hardware, fittings, and bearings

## NOTE

All S&S crankcases manufactured after June 1, 2008 do not have case interlock groove and ring and do not use case alignment studs. Case mating surface is flat, and cases are aligned with alignment dowels.

**REPLACEMENT PARTS: SEE PAGE 378**

### SPECIAL APPLICATION ALTERNATOR CRANKCASES FOR 1984-'99 BIG TWIN<sup>‡</sup>

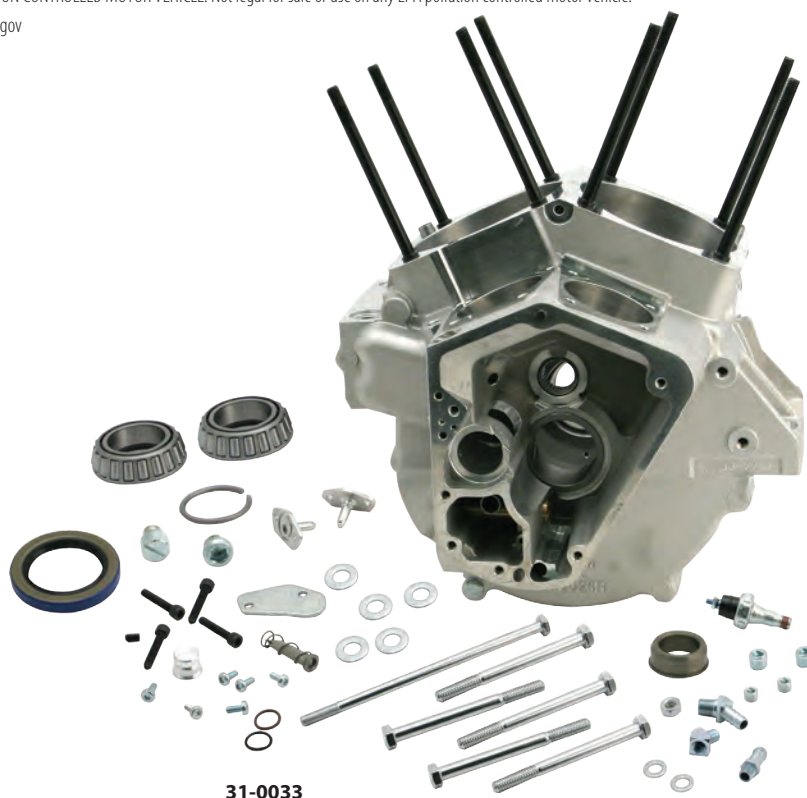
Crankcase Style	Bore	Deck Height	Natural	MSRP	WBlack	MSRP	Polished	MSRP
1984-'99*	4"	5.875"	<b>31-0047</b> <sup>USA</sup> <sub>2</sub>	\$1,522.95	<b>31-0051</b> <sup>USA</sup> <sub>2</sub>	\$1,761.95	-	-
1984-'99*	4 1/8"	6.000"	<b>31-0033</b> <sup>USA</sup> <sub>3</sub>	\$1,668.95	<b>31-0037</b> <sup>USA</sup> <sub>3</sub>	\$1,814.95	<b>31-0039</b> <sup>USA</sup> <sub>3</sub>	\$2,252.95
Special Order	Specify	Specify	<b>31-0015</b> **	Call for Pricing	<b>31-0015</b> **	Call for Pricing	<b>31-0015</b> **	Call for Pricing

\*1992-'99 style oil pump, machined for 1984-'99 alloy primary, machined for stock or S&S EFI crank position sensor. Stock diameter only.

\*\*Special Order: Download the Special Order Form at [sscycle.com/soforms](http://sscycle.com/soforms)

DISCLAIMER: NOT LEGAL FOR SALE OR USE IN CALIFORNIA ON ANY POLLUTION CONTROLLED MOTOR VEHICLE. Not legal for sale or use on any EPA pollution controlled motor vehicle.

<sup>‡</sup> ⚠️ WARNING: Cancer and Reproductive Harm — [www.P65Warnings.ca.gov](http://www.P65Warnings.ca.gov)



**31-0033**

# REPLACEMENT FLYWHEEL ASSEMBLIES

## FITMENT

- 1984–'99 big twins

## FEATURES AND BENEFITS

- Drive side flywheels have special keyed 6° large diameter taper that provides more contact area, increasing strength
- Standard S&S tapered crankpin and pinion shaft are used for ease of service
- Flywheels for EFI applications are machined with timing notches compatible with factory crank position sensors

## KIT CONTENTS

- Assembled:
  - Flywheels
  - Crankpin
  - Connecting rods




**TRYING TO IDENTIFY AN S&S® FLYWHEEL?  
SEE FLYWHEEL I.D. CHART PAGE 544**

## FLYWHEELS FOR 1984–'99 CARBURETED BIG TWINS

Stroke	8½" Diameter (stock)	MSRP	8¼" Diameter	MSRP
4¼"	<b>32-2239</b> 23906-90, 23906-93B, 23906-90A	\$1,323.95	–	–
Special Order**	<b>32-2015**</b>	Call for Pricing	<b>32-2015**</b>	Call for Pricing

\*\*Use this special order Part # to order flywheels assembled or unassembled, or balanced or unbalanced.  
Download the Special Order Form at [sscycle.com/soforms](http://sscycle.com/soforms)

## FLYWHEELS FOR 1995–'98 EFI BIG TWINS

Stroke	Part #	MSRP
4¼"	<b>32-2145</b>  23941-95	\$1,323.95

## NOTES

IMPORTANT: 1977–'89 style pinion gears, spacers, and nuts are required when installing S&S flywheel assemblies. For installation in 1990–'99 or scratch built engines, order S&S Pinion Shaft Conversion Kit 33-4148.

S&S flywheels are no longer available machined for stock Harley-Davidson® main shafts.

4¼" stroke assembly is balanced for stock HD® 80" pistons.

4¾" stroke assembly is balanced for S&S stock bore and 3¾" bore stroker pistons.

Use special order Part # for flywheels balanced to other pistons or rods.

All S&S crankcases for 1984–'99 big twin engines are machined to accept a crank position sensor and can be used with these flywheels.

# REPLACEMENT FLYWHEELS FOR V-SERIES ENGINES



32-2239

## REPLACEMENT FLYWHEEL ASSEMBLIES FOR S&S V-SERIES ENGINES

Engine	Stroke	Diameter	Part #	MSRP
V124*(3-piece)	4¾"	8¼"	<b>320-0477</b> ±	\$1,487.95
V117*(3-piece)	4¾"	8¼"	<b>320-0363</b> ±	\$1,487.95
V111*(3-piece)	4¾"	8¼"	<b>320-0420</b> ±	\$1,487.95
V96	4¾"	8½"	<b>32-2230</b>	\$1,323.95
V96 (IST)*	4¾"	8½"	<b>32-2146</b>	\$1,323.95
V80	4¼"	8½"	<b>32-2239</b>	\$1,323.95
1984–1999 Carbureted (non 4½" Bore)	Specify	Specify	<b>32-2015**</b>	Call for Pricing

\*Left side flywheel is notched for crank position sensor.

\*\*Use this special order Part # to order flywheels assembled or unassembled, balanced or unbalanced. Download the Special Order Form at [sscycle.com/soforms](http://sscycle.com/soforms)

±  WARNING: Cancer and Reproductive Harm – [www.P65Warnings.ca.gov](http://www.P65Warnings.ca.gov)

## NOTE

IMPORTANT: 1977–'89 style pinion gears, spacers, and nuts are required when installing S&S flywheel assemblies. For installation in 1990–'99 or scratch built engines, order S&S Pinion Shaft Conversion Kit 33-4148.

# HIGH VOLUME HIGH PRESSURE (HVHP) BILLET OIL PUMPS

## FITMENT

- 1984–'99 big twins
- S&S V-Series engines

## FEATURES AND BENEFITS

- No thicker than a stock pump
- Gears with fewer, but larger teeth provide increased oil volume for both supply and return sides of the pump
- Supply gears are 9% wider than stock and standard S&S oil pumps
- 28% wider than stock return gears ensure proper crankcase scavenging, reduce drag on the flywheels, and eliminate oil carryover
- Increased scavenging capacity results in:
- Less oil in the crankcase
- Less oil carryover
- Equipped with a stock length oil pump drive shaft

## OPTIONS

### Pump Only Kits:

- Complete oil pump assembly
- Oil pump driveshaft
- Miscellaneous hose fittings and plugs
- Paper gaskets
- Mounting hardware

### Pump And Gear Kits:

- For stock 1984-'89 engines or engines with S&S flywheel assemblies
- Everything in the "pump only" kits
- Oil pump drive shaft gear
- Oil pump pinion shaft gear
- Steel breather gear and shim kit



31-6208

## HIGH VOLUME HIGH PRESSURE OIL PUMP KITS FOR 1984-'99 BIG TWINS

Year Group	Cover Type	Pump Only Kit	MSRP	Pump w/ Gear Kit*	MSRP
1984-'91	Universal	<b>31-6214</b>	\$440.95	<b>31-6307</b>	\$572.95
1992-'99	Universal	<b>31-6208<sup>USA 2,3</sup></b>	\$440.95	<b>31-6302</b>	\$572.95
	Standard	<b>31-6209</b>	\$440.95	<b>31-6298</b>	\$572.95

\*Pinion shaft gears included in these kits fit stock 1984-'89 pinion shafts and S&S pinion shafts for 1984-'99. Will not fit stock 1990-'99 straight pinion shafts. Standard style covers have feed and return holes in the stock locations. The universal cover has a number of oil feed and return options, allowing maximum flexibility for customized applications.



The gear tooth profile and the extra gear width of the HVHP oil pump work together to maintain higher oil pressure and to scavenge additional oil from the crankcase.

**REPLACEMENT PARTS: SEE PAGE 385**

# STANDARD BILLET OIL PUMPS

## FITMENT

- 1984–'99 big twins

## FEATURES AND BENEFITS

- Machined with an oil pressure relief bleed off valve to maintain consistent oil pressure from the time the engine is started to the time it's shut off
- Oil pressure regulation bypass route allows excess oil not used by the engine to return directly to the supply side of the pump, reducing foaming and cavitation
- No thicker than a stock pump
- Increased scavenging capacity results in:
  - Less oil in the crankcase
  - Less oil carryover
- Equipped with a stock length oil pump drive shaft

## OPTIONS

### Pump Only Kits

- Complete oil pump assembly
- Oil pump driveshaft
- Miscellaneous hose fittings and plugs
- Paper gaskets
- Mounting hardware

### Pump And Gear Kits

- For stock 1984-'89 engines or engines with S&S flywheel assemblies.
- Everything in the "pump only" kits
- Oil pump drive shaft gear
- Oil pump pinion shaft gear
- Steel breather gear and shim kit



31-6203

## OIL PUMP KITS FOR 1984-'99 BIG TWINS

Year	Cover Type	Pump Only Kit	MSRP	Pump & Gear Kits	MSRP
1984-'91	Universal	<b>31-6203<sup>USA</sup></b>	\$367.95	<b>*31-6295<sup>USA</sup></b>	\$524.95
	Standard	<b>31-6206<sup>USA</sup></b>	\$367.95	<b>*31-6296<sup>USA</sup></b>	\$500.95
1992-'99	Universal	<b>31-6205<sup>USA 1</sup></b>	\$367.95	—	—

\*Pinion shaft gears included in these kits fit stock 1984-'89 pinion shafts and S&S pinion shafts for 1984-'99. Will not fit stock 1990-'99 straight pinion shafts. Standard style covers have feed and return holes in the stock locations. The universal cover has a number of oil feed and return options, allowing maximum flexibility for customized applications.

**REPLACEMENT PARTS: SEE PAGE 384**

## NOTE

Chrome Plating the Pump — It is extremely difficult to chrome plate an oil pump without getting chrome in the passageways, cavities or on the machined surfaces where the gears, check ball, and pressure valve operates. Chrome in these areas as well as on the gasket surfaces impairs the pumps performance by altering the operating tolerances machined into the parts. In addition, abrasive particles of chrome may break loose causing damage to the pump and the engine. Because of this, S&S does not recommend chrome plating the pump body or cover. S&S voids its warranty if these parts are chrome plated.

# BILLET FILTER BRACKET

## FITMENT

- 1993–'99 big twins w/ stock crankcases
- S&S crankcases for 1984–'99 big twins

## FEATURES AND BENEFITS

- Includes oil line fittings and has provisions to plumb an oil cooler



Description	Part #	MSRP
S&S Billet Filter Bracket	<b>31-4105</b>	\$314.95

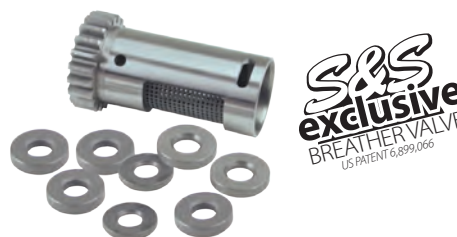
# STEEL ROTARY BREATHER GEARS

## FITMENT

- 1984–'99 big twins

## FEATURES AND BENEFITS

- Abrasive particles are less likely to get imbedded in a steel gear body than a plastic one
- A welded-in screen prevents particles from entering the gear cavity and damaging either the gears or oil pump
- Larger diameter holes means improved air flow and oil scavenging from the flywheel cavity
- Improved breather window timing increases flywheel cavity vacuum and crankcase oil scavenging
- Slotted scavenge hole increases breather pocket oil scavenging for less carryover



**33-4250**

Breather gear kits include breather gear and steel end play shim kit.

**S&S**  
exclusive  
BREATHER VALVE  
US PATENT 6,899,066

## OPTIONS

- Available in standard and +0.030" for use in engines with damaged breather bores

### BREATHER GEAR KITS FOR 1984–'99 BIG TWINS

Year	Standard Size	MSRP	+ .030"	MSRP
1984–'99	<b>33-4250</b>	\$120.95	<b>33-4260</b>	\$120.95

### BREATHER GEARS ONLY FOR 1984–'99 BIG TWINS

Year	Standard Size	MSRP	+ .030"	MSRP
1984–'99	<b>33-4241</b> 25310-82A, 25313-77B, 25311-90	\$95.95	<b>33-4242</b>	\$95.95

### BREATHER GEAR SPACING SHIM KIT

Description	Part #	MSRP
Fits stock 1979–'82 and all S&S steel breather gears Includes one of each: .100", .110", .120", .130", .140", .150", .160", .170"	<b>33-4249</b>	\$24.95

### BREATHER GEAR SPACING SHIMS\*

Thickness	Part #	MSRP
+.100"	<b>33-4200</b>	\$4.95
+.110"	<b>33-4201</b> 25320-79	\$4.95
+.120"	<b>33-4202</b> 25322-79	\$4.95
+.130"	<b>33-4203</b> 25325-79, 25320-82	\$4.95
+.140"	<b>33-4204</b> 25322-82, 25327-79	\$4.95
+.150"	<b>33-4205</b> 25325-82	\$4.95
+.160"	<b>33-4206</b> 25327-82	\$4.95
+.170"	<b>33-4207</b>	\$4.95

\*These shims must be used with steel breather gears only.

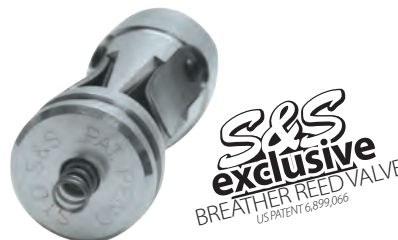
# CRANKCASE BREATHER REED VALVES FOR LARGE DISPLACEMENT ENGINES

## OPTIONS

- Available in standard size or +.030" for use in engines with damaged breather bores

### CRANKCASE BREATHER REED VALVES FOR 1993–'99 BIG TWINS

Application	Standard Size	MSRP	+ .030"	MSRP
1993–'99	<b>31-2096</b>	\$130.95	<b>31-2100</b>	\$138.95



**S&S**  
exclusive  
BREATHER REED VALVE  
US PATENT 6,899,066

## NOTE

The crankcase reed valve should not be used in 1984 to 1992 crankcase breathing engines. It is only intended for head breathing applications.

# BILLET GEARCOVERS

## FITMENT

- 1984–'92 big twins with standard ignition

## KIT CONTENTS

- Billet gearcover
- Gaskets
- Mounting hardware
- Instructions

### BILLET GEARCOVERS AND IGNITION COVERS±

Application	Finish	Part #	MSRP
1984–'92*	Chrome Plated	<b>106-4211</b>	\$512.95

\*Gearcover has internal breather passage that is used to vent crankcase.

± ⚠️ WARNING: Cancer and Reproductive Harm – www.P65Warnings.ca.gov



REPLACEMENT PARTS: SEE PAGE 372

# CAST GEARCOVERS

## FITMENT

- 1984–'92 big twins

## FEATURES

- Machined from tough 356-T6 aluminum castings – *the same material used to make S&S crankcases*
- Inner cast aluminum cover and a decorative bolt-on outer cover
- Will accept either points or electronic ignition systems

## KIT CONTENTS

- Cast gearcover and gaskets
- Mounting hardware

### CAST GEARCOVERS AND IGNITION COVERS

Application	Finish	Flangeless Tall	MSRP
1984–'92 big twins *	Natural	<b>31-0203</b>	\$241.95

\*Gearcover has internal breather passage that is used to vent crankcase.



REPLACEMENT PARTS: SEE PAGE 372

# IGNITION COVERS

## FITMENT

- S&S engines with "cone" style gearcovers



### IGNITION COVER

Description	Part #	MSRP
Chrome	<b>31-0332</b>	\$66.95

± ⚠️ WARNING: Cancer and Reproductive Harm – www.P65Warnings.ca.gov

# CYLINDERS WITH PISTONS KIT

- Cylinders with piston kits include fitted pistons and cylinders, head gaskets, base gaskets, and exhaust gaskets
- Cylinder kits with pistons are honed to fit the pistons included



910-0224

S&S® 4 1/8" BORE CYLINDERS WITH PISTONS KIT SPECIFICATION CHART				
Displacement	Stroke	Cylinder Length	Piston Type	Compression Ratio
111"	4 1/8"	4.764"	Forged	9.7:1
117"	4 3/8"	4.889"		10.2:1
124"	4 5/8"	5.014"		10.8:1

### 4 1/8" BORE CYLINDERS WITH PISTONS FOR 124", 117", & 111" KIT

Displacement	Cylinders w/Pistons (Set)					
	Natural	MSRP	WBlack	MSRP	Polished	MSRP
111"	<b>910-0219</b>	\$1,154.95	<b>910-0359</b>	\$1,259.95	<b>910-0424</b>	\$1,364.95
117"	<b>910-0290</b>	\$1,154.95	<b>910-0225</b>	\$1,259.95	<b>910-0228</b>	\$1,364.95
124"	<b>910-0229</b>	\$1,154.95	<b>910-0224</b>	\$1,259.95	<b>910-0230</b>	\$1,364.95



91-7521

S&S® 4" BORE CYLINDERS WITH PISTONS KIT SPECIFICATION CHART					
Displacement	Stroke	Cylinder Length	Piston Type	Compression Ratio	
				92cc Heads	84cc Heads
100"	4"	4.745"	Forged	9.1:1	9.6:1
107"	4 1/4"	4.870"		9.5:1	10.2:1
113"	4 1/2"	4.995"		10.1:1	10.7:1

### 4" BORE CYLINDERS WITH PISTONS FOR 113", 107", & 100" KIT

Displacement	Cylinders w/Pistons (Set)					
	Natural	MSRP	WBlack	MSRP	Polished	MSRP
100"	<b>91-7011</b>	\$1,102.95	—	—	—	—
107"	<b>91-7021</b>	\$1,102.95	<b>91-7521</b>	\$1,207.95	<b>91-7066</b>	\$1,364.95
113"	<b>91-7111</b>	\$1,207.95	<b>91-7611</b>	\$1,207.95	<b>91-7067</b>	\$1,364.95



S&S® 3 5/8" BORE CYLINDERS WITH PISTONS KIT SPECIFICATION CHART								
Displacement	Stroke	Cylinder Length	STOCK HEADS		S&S SUPER STOCK® HEADS			
			Piston Type	Compression Ratio	Piston Type	Compression Ratio		
						Standard Compression	Intermediate Compression	High Compression
88"	4 1/4"	5.375"	Flat Topped	9:1	Domed	9.4:1	10.1:1	12.3:1
96"	4 5/8"	5.565"		9.75:1		10.1:1	10.9:1	13.2:1
103"	5"*	5.750"		10.5:1		10.9:1	11.8:1	14.2:1

\*Small Diameter Flywheels

### 3 5/8" BORE CYLINDERS WITH PISTONS FOR 96" & 88" KIT

Displacement	Stock Heads (Flat Topped Pistons)				S&S Super Stock® Heads (Domed Pistons)									
	Cylinders w/ Pistons				Cylinders w/ Standard Compression Pistons						Cylinders w/ Intermediate Compression Pistons			
	Natural	MSRP	WBlack	MSRP	Natural	MSRP	WBlack	MSRP	Polished	MSRP	Natural	MSRP	WBlack	MSRP
88"	<b>91-7002</b>	\$1,049.95	<b>91-7502</b>	\$1,154.95	<b>91-7009</b>	\$1,049.95	—	—	—	—	<b>91-7052</b>	\$1,154.95	<b>91-7552</b>	\$1,259.95
96"	<b>91-7202</b>	\$1,049.95	<b>91-7702</b>	\$1,154.95	<b>91-7207</b>	\$1,154.95	<b>91-7707</b>	\$1,154.95	<b>91-7152</b>	\$1,259.95	<b>91-7054</b>	\$1,049.95	<b>91-7554</b>	\$1,154.95



## CONTINUED CYLINDER & PISTON KITS



S&S® 3½" BORE CYLINDERS WITH PISTONS KIT SPECIFICATION CHART						
Displacement	Piston Type	Stroke	Cylinder Length	COMPRESSION RATIO		
				Stock Heads	S&S 76cc Performance Replacement Heads	S&S Super Stock® Heads
<b>FLAT-TOPPED PISTONS FOR STOCK OR S&amp;S PERFORMANCE REPLACEMENT CYLINDER HEADS</b>						
80"	Cast/Flat-topped	4¼"	5.550" (Stock)	8.5:1	8.8:1	–
89"	Forged Flat-topped	4⅝"	5.550" (Stock)	9.25:1	9.4:1	–
<b>SPECIAL DOMED PISTONS FOR S&amp;S SUPER STOCK® CYLINDER HEADS</b>						
80"	Forged/Super Stock® Domed	4¼"	5.550" (Stock)	–	–	10:1
89" LC	Forged/Super Stock® Domed	4⅝"	5.550" (Stock)	–	–	10:1
89" HC	Forged/Super Stock® Domed	4⅝"	5.550" (Stock)	–	–	12.5:1

### 3½" BORE CYLINDERS WITH PISTONS KIT FOR STOCK HEADS, S&S PERFORMANCE REPLACEMENT HEADS AND S&S SUPER STOCK® HEADS

Displacement	Cylinders w/ Pistons for S&S Super Stock® Heads				Cylinders w/ Pistons for Stock Heads and S&S Performance Replacement Heads			
	Natural	MSRP	WBlack	MSRP	Natural	MSRP	WBlack	MSRP
80"	<b>91-7213</b>	\$1,049.95	<b>91-7713</b>	\$1,102.95	<b>910-0179</b> 16510-83A	\$944.95	<b>910-0182</b> 16512-86A	\$944.95
89"	–	–	–	–	<b>91-7211</b>	\$1,049.95	<b>91-7711</b>	\$1,102.95
89" LC	–	–	<b>91-7715</b>	\$1,102.95	–	–	–	–

**ALL OTHER BORES AND FINISHES ARE AVAILABLE THROUGH SPECIAL ORDER**  
 \*Special Order: Download the Special Order Form at [sscycle.com/soforms](http://sscycle.com/soforms)

**91-7504\*** Call for Pricing

## NOTES

Stock crankcases must be machined to accommodate the large spigot diameter of 3½" bore cylinders.

**PISTON REPLACEMENT PARTS: SEE PAGE 348**



# CYLINDERS

- Cylinder sets without pistons are bored slightly under normal size and are not honed.
- Include dowel pins

## 4 1/8" BORE CYLINDERS



Displacement		Natural	MSRP	WBlack	MSRP	Polished	MSRP
111"	Set	<b>910-0284</b>	\$682.95	<b>910-0358</b>	\$734.95	<b>910-0246</b>	\$944.95
117"	Set	<b>910-0267</b>	\$682.95	<b>910-0261</b>	\$734.95	-	-
124"	Set	<b>910-0270</b>	\$682.95	<b>910-0258</b>	\$734.95	<b>910-0273</b>	\$944.95

## 4" BORE CYLINDERS

Displacement		Natural	MSRP	WBlack	MSRP	Polished	MSRP
100"	Set	<b>91-7010</b>	\$734.95	-	-	-	-
107"	Set	<b>91-7020</b>	\$734.95	-	-	-	-
113"	Set	<b>91-7110</b> 	\$734.95	<b>91-7610</b>	\$839.95	<b>91-7064</b> 	\$1,049.95



Recommended Piston Fitment: Close: .0020"-.0025" Loose: .0037"-.0045"

## 3 5/8" BORE CYLINDERS

Displacement		Natural	MSRP	WBlack	MSRP
88"	Set	<b>91-7000</b>	\$682.95	<b>91-7500</b>	\$734.95
96"	Set	<b>91-7200</b> 	\$682.95	<b>91-7700</b> 	\$734.95

\*Small Diameter Flywheels Recommended Piston Fitment: Close: .0015"-.0020" Loose: .0035"-.0045"

## 3 1/2" BORE CYLINDERS

Displacement		Natural	MSRP	WBlack	MSRP
80"	Set	<b>91-7210</b> 	\$682.95	<b>91-7710</b> 	\$682.95
89"					



**ALL OTHER BORES AND FINISHES ARE AVAILABLE THROUGH SPECIAL ORDER**

\*Special Order: Download the Special Order Form at [sscycle.com/soforms](http://sscycle.com/soforms)

**91-7504\*** Call for Pricing

## NOTES

S&S 4 1/8" pistons are machined to such close tolerances that it is not necessary to measure the piston. Additionally, the low friction coating on the piston skirt makes taking measurements very difficult. Therefore, hone cylinders to nominal diameter +/- 0.0005" for correct clearance.

Stock crankcases must be machined to accommodate the large spigot diameter of 3 5/8" bore cylinders.

# PISTON KITS

- Piston kits include set of pistons, rings, wristpins, and clips



1991-1999 Big Twins

Milwaukee  
 Eight  
 Twin Cam  
 96"/103"/110"  
 2007-2017  
 1999-2006  
 Twin Cam 88"  
 1986-2019  
 Sportster® & Buell®  
 2014-2019  
 Street® &  
 Street Rod™  
 Evolution®  
 1984-1999  
 1926-1984  
 Vintage Engines  
 Indian® &  
 Victory® Models  
 Tools  
 & Shop Supplies  
 Apparel  
 Warranty &  
 Company Policy  
 Appendix  
 & Index

## 4 1/8" BORE FORGED PISTON KITS FOR HOT SET UP KITS®

Displacement	Deck Height	Stroke	Standard	MSRP	+ .010"	MSRP	+ .020"	MSRP	+ .030"	MSRP
124" & 117" Stock Heads 10cc Dished	1.050"	Up To 4 5/8"	<b>920-0046</b>	\$503.95	<b>920-0047</b>	\$503.95	<b>920-0050</b>	\$503.95	<b>920-0053</b>	\$503.95
124", 117" & 111" -Stock or S&S Heads Flat Top	1.050"	Up To 4 5/8"	<b>106-3491A</b>	\$503.95	<b>106-3872A</b>	\$503.95	<b>106-3964A</b>	\$503.95	<b>920-0094</b>	\$503.95

## NOTE

S&S 4 1/8" pistons are machined to such close tolerances that it is not necessary to measure the piston. Additionally, the low friction coating on the piston skirt makes taking measurements very difficult. Therefore, hone cylinders to nominal diameter +/- 0.0005" for correct clearance.

## 4" BORE FORGED PISTON KITS

Displacement	Deck Height	Stroke	Standard	MSRP	+ .010"	MSRP	+ .020"	MSRP	+ .030"	MSRP
Retro 100"	1.200"	4"	<b>92-1420</b>	\$388.95	<b>92-1421</b>	\$388.95	<b>92-1422</b>	\$388.95	-	-
100"		4"	<b>92-1400</b>	\$388.95	<b>92-1401</b>	\$388.95	<b>92-1402</b>	\$388.95	<b>92-1403</b>	\$388.95
107"		4 1/4"	<b>92-1400</b>	\$388.95	<b>92-1401</b>	\$388.95	<b>92-1402</b>	\$388.95	<b>92-1403</b>	\$388.95
113"		4 1/2"	<b>92-1410</b>	\$388.95	<b>92-1411</b>	\$388.95	<b>92-1412</b>	\$388.95	<b>92-1413</b>	\$388.95
116"		4 5/8"	<b>92-1420</b>	\$388.95	<b>92-1421</b>	\$388.95	<b>92-1422</b>	\$388.95	-	-

Recommended Piston Fitment: Close: 0.0020"-0.0025" Loose: 0.0037"-0.0045"

## FORGED 3 5/8" BORE FLAT TOPPED PISTON KITS FOR STOCK STYLE HEADS

Displacement	Deck Height	Stroke	Standard	MSRP	+ .010"	MSRP	+ .020"	MSRP	+ .030"	MSRP	+ .040"	MSRP
88"	1.200"	4 1/4"	<b>92-1900</b>	\$367.95	<b>92-1901</b>	\$367.95	<b>92-1902</b>	\$367.95	<b>92-1903</b>	\$367.95	<b>92-1904</b>	\$367.95
93"		4 1/2"										
98"*		4 3/4"*										
96"		4 5/8"										
103"*		5"*										

\*Small Diameter Flywheels Recommended Piston Fitment: Close: 0.0015"-0.0020" Loose: 0.0035"-0.0040"

## 3 5/8" BORE STANDARD COMPRESSION PISTON KITS FOR S&S SUPER STOCK® HEADS

Displacement	Deck Height	Stroke	Standard	MSRP	+ .010"	MSRP	+ .020"	MSRP	+ .030"	MSRP	+ .040"	MSRP
88"	1.200"	4 1/4"	<b>92-1060</b> USA	\$419.95	<b>92-1061</b>	\$419.95	<b>92-1062</b>	\$419.95	<b>92-1063</b>	\$419.95	<b>92-1064</b>	\$419.95
93"		4 1/2"										
96"		4 5/8"										
103"*		5"*										

## 3 5/8" BORE INTERMEDIATE COMPRESSION PISTON KITS FOR S&S SUPER STOCK® HEADS

Displacement	Deck Height	Stroke	Standard	MSRP	+ .010"	MSRP	+ .020"	MSRP	+ .030"	MSRP	+ .040"	MSRP
88"	1.200"	4 1/4"	<b>92-1110</b>	\$451.95	<b>92-1111</b>	\$451.95	<b>92-1112</b>	\$451.95	-	-	-	-
93"		4 1/2"										
96"		4 5/8"										
103"*		5"*										

\*Small Diameter Flywheels Recommended Piston Fitment: Close: 0.0023"-0.0025" Loose: 0.0035"-0.0045"

## CONTINUED PISTON KITS

### 3½" BORE CAST FLAT-TOPPED REPLACEMENT PISTON KITS FOR STOCK HEADS OR S&S PERFORMANCE REPLACEMENT HEADS

Displacement	Deck Height	Stroke	Standard	MSRP	+0.010"	MSRP	+0.020"	MSRP
80"	1.3750"	4¼"	<b>920-0015</b> 21940-83	\$125.95	<b>920-0026</b> 21942-83	\$125.95	<b>920-0027</b> 21943-83	\$125.95

No replacement wristpins are available. Recommended Cast Piston Fitment: Close 0.0010"–0.0015" Loose 0.0020"–0.0025"

### 3½" BORE FORGED FLAT TOPPED STROKER PISTON KITS FOR STOCK OR S&S PERFORMANCE REPLACEMENT HEADS

Displacement	Deck Height	Stroke	Standard	MSRP	+0.010"	MSRP	+0.020"	MSRP	+0.030"	MSRP
89"	1.1875"	4⅝"	<b>106-5554</b>	\$388.95	<b>106-5555</b>	\$388.95	<b>106-5556</b>	\$388.95	<b>106-5793</b>	\$388.95

Recommended Piston Fitment: Close .0020"–.0025" Loose .0030"–.0035" May require rebalancing if replacing old 92-2040 series pistons.

### 3½" BORE FORGED DOMED PISTON KITS FOR S&S® SUPER STOCK® HEADS

Displacement	Deck Height	Stroke	Standard	MSRP	+0.005"	MSRP	+0.010"	MSRP	+0.020"	MSRP	+0.030"	MSRP
80"	1.3750"	4¼"	<b>92-2026</b>	\$388.95	<b>92-20265</b>	\$388.95	<b>92-2027</b>	\$388.95	<b>92-2028</b>	\$388.95	<b>92-2029</b>	\$388.95
89" LC	1.1875"	4⅝"	<b>92-2046</b>	\$388.95	<b>92-20465</b>	\$399.95	<b>92-2047</b>	\$388.95	<b>92-2048</b>	\$388.95	–	–
89" HC			<b>92-2016</b>	\$388.95	–	–	<b>92-2017</b>	\$388.95	<b>92-2018</b>	\$388.95	–	–

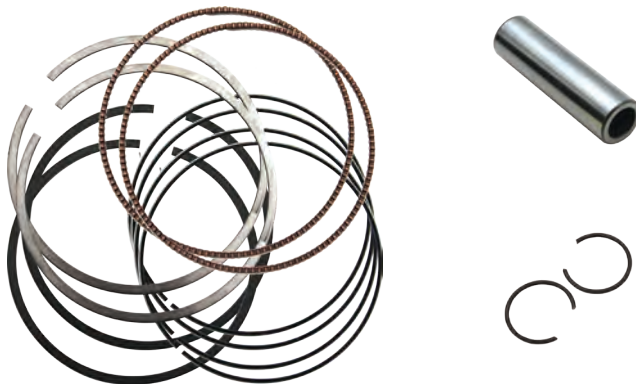
Recommended Piston Fitment: Close .0020"–.0025" Loose .0030"–.0035"

# REPLACEMENT PARTS FOR PISTONS

## PISTON RINGS, MOLY FACED

Bore	Deck Height	Standard	MSRP	+0.005"	MSRP	+0.010"	MSRP	+0.020"	MSRP	+0.030"	MSRP	+0.040"	MSRP	+0.060"	MSRP
4⅞"	1.050"	<b>940-0014</b>	\$47.95	–	–	<b>940-0012</b>	\$47.95	<b>940-0013</b>	\$62.95	<b>940-0017</b>	\$167.95	–	–	–	–
4"	1.200"	<b>94-1300X</b>	\$41.95	–	–	<b>94-1301X</b>	\$41.95	<b>94-1302X</b>	\$41.95	<b>94-1303X</b>	\$41.95	–	–	–	–
3⅝"	1.200"	<b>94-1210X</b>	\$41.95	–	–	<b>94-1211X</b>	\$41.95	<b>94-1212X</b>	\$41.95	<b>94-1213X</b>	\$41.95	<b>94-1214X</b>	\$41.95	<b>94-1216X</b>	\$41.95
3½" Cast Flat-Topped*	1.3750"	<b>94-2216X</b>	\$41.95	–	–	<b>94-2217X</b>	\$41.95	<b>94-2218X</b>	\$41.95	–	–	–	–	–	–
3½" Forged Flat-Topped	1.1875"	<b>94-2206X</b> 22334-78A, 22334-78B, 21920-83	\$41.95	–	–	<b>94-2207X</b> 22335-78A, 22335-78B, 21922-83	\$41.95	<b>94-2208X</b> 22336-78B, 21923-83	\$41.95	<b>94-2209X</b> 22337-78B, 21924-83	\$41.95	–	–	–	–
3½" Forged Domed	1.3750"	<b>94-2216X</b>	\$41.95	<b>94-22165X</b> 21921-83	\$41.95	<b>94-2217X</b>	\$41.95	<b>94-2218X</b>	\$41.95	<b>94-2219X</b>	\$41.95	–	–	–	–
	1.1875"														

\*No replacement wristpins are available



## WRISTPINS

Bore	Description	Part #	MSRP
4⅞"	.927" x 2.825" long  3	<b>94-9277</b>	\$31.95
4"	.792" x 2.825" long  1,2	<b>94-9256</b>	\$31.95
3⅝"			
3½"			

## KEEPERS

Bore	Description	Part #	MSRP
4⅞"	Keeper 22097-99	each <b>94-9278-5</b>	\$3.95
		2 pack <b>94-9278-2</b>	\$5.95
		4 pack <b>106-2304</b>	\$5.95
4"	Keeper 22589-83A	each <b>94-9254-5</b>	\$0.95
3⅝"		2 pack <b>94-9254-2</b>	\$2.95
3½"		4 pack <b>94-9254</b>	\$3.95

All reference to HD® Part #s is for identification purposes only. We in no way are implying that any of S&S® Cycle's products are original equipment parts or that they are equivalent to the corresponding HD Part # shown.

# CAMSHAFTS

## RECOMMENDED APPLICATIONS FOR S&S CAMS

**OES:** Original Equipment Specification (OES) A bolt-in replacement cam with stock cam timing is designed for riders with stock engines. Does not require tuning. Bolt-in stock. Equivalent to HD® L-Grind

**490LR:** Hydraulic Bolt-In. Designed for broad power range improvement. Good choice for heavy bikes and trailer towing. Increases low and mid range performance. Works well with stock compression ratio and stock exhaust. No valve spring change required. Basic rpm Idle-5000.

**490MR:** Hydraulic Bolt-In Street performance for heavier bikes that are slightly modified. Can be used with stock compression or increased up to 9.5:1. Complements exhaust and intake modifications. No valve spring change required. Basic rpm 1500-5500.

**508:** Bolt-in cam intended for stock engines with less than 10:1 compression ratio. Quiet valve-train with excellent low/mid range torque for touring and 2 up riding.

**510V:** Bolt-in cam that works well with stock or ported heads. Improved ramp design results in low valve train noise. Meant for engines up to 96" and 10:1 compression ratio. 3000-5000 rpm.

**520:** A replacement part for S&S emissions certified engines, this is a short duration emissions cam with very little overlap to reduce emissions of unburned hydrocarbons. Requires high lift springs and normal clearance checks. 1000-4500 rpm (80"-96").

**543:** A replacement cam for newer S&S 4 1/8" bore V-series emissions certified engines for OE and custom applications. High lift, short duration and no overlap. Requires high lift springs and normal clearance checks. 1000-4000 rpm (111"-124").

**561:** For 80"-96" engines at 9.5:1–10.5:1 compression ratio. Provides strong midrange power. 3000-5500 rpm.

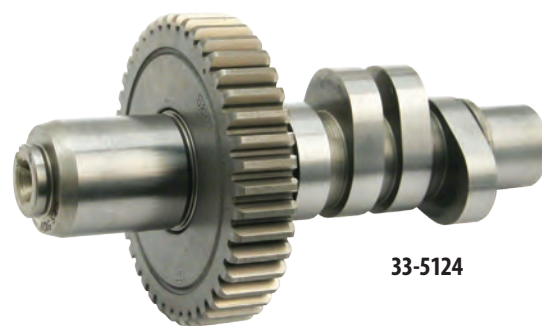
**585V:** A versatile cam for 80" to 96" engines with 10:1-10.5:1 compression, and larger engines with 9.5:1-10:1 compression ratios. 3500-6000 rpm.

**600:** An exceptional cam in any large displacement engine with 9.5:1 to 10.5:1 compression. 3500-6000 rpm.

**631:** For high rpm applications, an excellent choice for all street and racing engines with 11:1 and higher compression ratios. Great performance cam, but expect more "wear and tear" on valve train components. Valve spring spacing and other normal clearancing checks required. 4500-6500 rpm.

**640:** For large displacement motors with compression ratios of 10.5 - 11.5:1, or smaller motors with 11:1-12:1 compression ratio. Does not require as much compression as the 631 and provides a more linear power delivery. 3000-6000 rpm.

**675:** Designed for use with S&S special application cylinder heads, but can be used with other cylinder heads with appropriate valve springs. Intended for large displacement competition engines of 120 cubic inches or more, and 11:1 or greater compression. 4500-6500 rpm.



33-5124

### CAMS FOR 1984-'99 BIG TWIN ENGINES

Cam Name	Part #	MSRP
OES	330-0290	\$209.95
490LR	330-0371	\$209.95
490MR	330-0373	\$199.95
508	330-0093	\$209.95
510V	33-5124	\$209.95
520	33-5073 <sup>USA 1,2</sup>	\$209.95
543	330-0181	\$209.95
561	33-5076	\$209.95
585V	33-5109	\$209.95
600	33-5058	\$209.95
631	33-5080	\$209.95
640	33-5108	\$209.95
675	33-5133	\$209.95

DISCLAIMER: NOT LEGAL FOR SALE OR USE IN CALIFORNIA ON ANY POLLUTION CONTROLLED MOTOR VEHICLE. Not legal for sale or use on any EPA pollution controlled motor vehicle.

## NOTE

S&S can do a special order cam. Contact your S&S Customer Service Representative for more information.

### S&S CAM SPECIFICATIONS FOR 1984-'99 BIG TWIN ENGINES

Cam Name	Valve Timing Open/Close		Valve Duration		Valve Lift	Lift @ TDC		Spring Spacing Required	Tappet Type Required	
	Intake	Exhaust	Intake	Exhaust		Intake	Exhaust			
	Open BTDC/Close ABDC	Open BBDC/Close ATDC								
OES	2.0°/34.0°	36.0°/4.0°	216.0°	220.0°	.475"	0.060"	0.060"	No	Hydraulic	
490LR	12°/34°	41°/15°	226°	236°	.490"	.146"	.157"	No	Hydraulic	
490MR	19°/37°	46°/16°	236°	242°	.490"	.184"	.162"	No	Hydraulic	
508	11°/25°	50°/5°	217°	235°	.508"	.141"	.110"	No	Hydraulic	
510V	20°/38°	52°/20°	238°	252°	.510"	.187"	.178"	No	Hydraulic	
520	0°/40°	50°/2°	220°	232°	.520"	.086"	.094"	Yes	Hydraulic	
543*	Front	-26°/52°	49°/-1°	206°	228°	.543"	.017"	.083"	Yes	Hydraulic
	Rear	-25°/44°	33°/-10°	199°	203°	.543"	.018"	.053"	Yes	Hydraulic
546	5°/55°	52°/5°	240°	237°	.546"	.126"	.106"	Yes	Hydraulic	
561	32°/40°	50°/26°	252°	256°	.560"	.252"	.210"	Yes	Hydraulic	
585V	20°/45°	60°/20°	245°	260°	.585"	.186"	.180"	Yes	Hydraulic	
600	20°/55°	60°/20°	255°	260°	.600"	.192"	.184"	Yes	Hydraulic	
631	34°/61°	66°/29°	275°	275°	.630"	.281"	.221"	Yes	Solid or Hydraulic	
640	25°/60°	65°/20°	265°	265°	.640"	.222"	.192"	Yes	Hydraulic	
675	25°/64°	70°/25°	269°	275°	.675"	.235"	.209"	Yes	Hydraulic	

\*Emissions cams front and rear do not have identical timing. Negative values are due to special timing for reduced emissions.

# REPLACEMENT PINION GEARS

## FITMENT

- 1984–'89 big twins
- 1990–'99 engines with S&S flywheel assembly



33-4145

### 1984–'89 BIG TWIN STYLE PINION GEAR SELECTION CHART

Color Code	Size	HD® Part #	S&S Part #	MSRP
Orange	Biggest	24040-78	33-4141	\$92.95
White		24041-78	33-4142	\$92.95
Yellow		24042-78	33-4143	\$92.95
Red	Average	24043-78	33-4144	\$92.95
Blue		24044-78	33-4145	\$92.95
Green		24045-78	33-4146	\$92.95
Black	Smallest	24046-78	33-4147	\$92.95

## NOTES

If the stock gear is unmarked and the size is unknown or you are scratch building an engine and have no gear, we recommend that you order a gear in the middle of the size range. These sizes were used more often and should provide adequate gear clearance under most circumstances. When in doubt, use a gear from the middle to the small side of the range, because a combination of looser fitting smaller gears is less likely to cause binding and premature wear. Consult the chart for the size and appropriate Part # required. If you wish to achieve optimum cam gear to pinion gear fit, consult your factory service manual for instructions on fitting these gears before making a selection. Some sizes, particularly those on and near the ends of each range, are available on a limited basis because they are the extremes.

S&S® does not offer a replacement pinion shaft for 1990–'99 big twin engines that accepts a stock pinion gear, oil pump drive gear, gear spacer and pinion gear nut, because experience has shown that the design is not strong enough for performance applications. For this reason, we recommend and sell only the pre-1990 style pinion shaft for big twins. To make the change easier, S&S offers a conversion package consisting of a pinion gear, spacer, nut and oil pump drive gear for big twin engines.

# PINION SHAFT GEAR KITS

## PINION SHAFT GEAR KITS FOR 1984–'89 BIG TWINS

Color Code	Size	S&S Part #	MSRP
Yellow	Biggest	33-4185	\$146.95
Red	Average	33-4148	\$146.95
Blue		33-4181	\$146.95
Black	Smallest	33-4180	\$146.95

Note - All S&S Pinion Shaft Gear Kits must be used with 1973-'99 style 24 tooth oil pump drive shaft gear such as S&S part # 33-4230. Use these kits when installing an S&S flywheel assembly in a 1990-'99 engine.

## INDIVIDUAL COMPONENTS

Description	S&S Part #	MSRP
Pinion Shaft Gear Spacer	33-4289	\$5.95
Pinion Shaft Gear Nut 24023-54	33-4244	\$19.95
Pinion Shaft Oil Pump Drive Gear* 6 teeth 26349-73, 26349-73A	33-4232	\$41.95
Oil Pump Drive Gear** 24 teeth 26345-73	33-4230	\$36.95

\*Requires S&S part #33-4230 or 26345-73 drive shaft drive gear. Fits 1984-'89 stock and 1984-'99 S&S pinion shafts.

\*\*Requires S&S part #33-4232, part #33-4237 or 26349-73, 26349-73A pinion shaft drive gear.



33-4244

33-4230

33-4232

33-4289

# TAPPET GUIDES

## FITMENT

- 1984–1999 bt
- S&S V-Series engines
- S&S Special Application crankcases with .250" offset cam chest



106-5428

## BILLET TAPPET GUIDES FOR S&S V-SERIES ENGINES & S&S SA CRANKCASES

Tappet Guide	CRANKCASE STYLE					
	Stock/Super Stock®				Special Application	
	Polished	MSRP	Chrome	MSRP	Chrome	MSRP
Set	<b>106-6459</b>	\$419.95	<b>106-5428±</b>	\$419.95	<b>106-3005±</b>	\$419.95

± WARNING: Cancer and Reproductive Harm – www.P65Warnings.ca.gov

## CAST TAPPET GUIDES FOR S&S V-SERIES ENGINES & S&S SA CRANKCASES

Tappet Guide	CRANKCASE STYLE							
	Stock/S&S Super Stock®				Special Application			
	Natural	MSRP	WBlack	MSRP	Natural	MSRP	WBlack	MSRP
Set	<b>33-5301</b>	\$251.95	<b>33-5324</b>	\$251.95	<b>33-5309</b>	\$251.95	<b>33-5325</b>	\$251.95

## NOTE

S&S® engines for 1984-'99 chassis with larger than 3<sup>3</sup>/<sub>16</sub>" bores are typically built using special crankcases such as S&S Special Application cases which have an offset right side gear cavity for more tappet guide to cylinder clearance. S&S offers special tappet guides machined to compensate for the change in pushrod angle caused by the cam chest offset of these cases.

# HIGH PERFORMANCE HYDRAULIC TAPPETS

## FITMENT

- 1984–'99 big twins
- S&S V-Series engines

## FEATURES AND BENEFITS

- .123" larger in diameter than the "raceless" roller axles currently used by some manufacturers
- Improved inner race-roller design allows use of more, and larger bearings to increase load-carrying surface area, further reducing stress and wear in the critical roller area
- Redesigned plunger assembly better withstands forces associated with heavy-duty valve springs and cams typically used in high-performance applications
- Improved metering device precisely controls oil delivery to top end, ensuring rapid lifter pump-up and reducing possibility of oil starvation to bottom end
- Each lifter body and plunger assembly is selective-fit and then leak down tested to ensure correct operation.

## OPTIONS

- Tappets are available with the HL<sub>2</sub>T Limited Travel Kit for improved cold starts and high rpm valve timing accuracy.

## KIT CONTENTS

- Four hydraulic tappets



33-5352

## HIGH PERFORMANCE HYDRAULIC TAPPETS

Description	Part #	MSRP
Without HL <sub>2</sub> T Kit 18523-86A	<b>33-5352</b>	\$304.95
With HL <sub>2</sub> T Kit	<b>33-5353</b>	\$325.95

## EXTRA PARTS NEEDED:

S&S tappets with HL<sub>2</sub>T Kit require the use of adjustable pushrods.

Because of close tolerances, tappets in set part #33-5353 may require slightly longer bleed down time than conventional tappets. At temperatures of 65°F and above, however, bleed-down should take 20 minutes or less using 20W50 engine oil.

# HYDRAULIC LIFTER LIMITED TRAVEL SPACER (HL<sub>2</sub>T)

## FITMENT

- 1984–'99 big twins
- All S&S tappets

## FEATURES AND BENEFITS

- Designed to limit the range of travel of the hydraulic tappet plunger – Easier starting
- Low noise and positive valve train activation
- More horsepower at higher RPMs



## HYDRAULIC LIFTER LIMITED TRAVEL SPACER (HL<sub>2</sub>T)

Description	Part #	MSRP
Set of four spacers (fits tappets with .612" I.D.)	<b>33-5338</b> 18526-89A	\$21.95

## EXTRA PARTS NEEDED:

Adjustable pushrods must be used with HL<sub>2</sub>T kit in order to obtain proper plunger position. S&S HL<sub>2</sub>T kit will not fit the late stock replacement tappets HD#18523-86B for 1984–'99 big twins. These tappets have a smaller bore size and a larger spring diameter than earlier versions.

Part #33-5338 fits tappets with .612" I.D.


# TIME-SAVER ADJUSTABLE PUSHRODS



### FEATURES AND BENEFITS

- Eliminates the need to disassemble the top end and remove the rocker arms to change pushrods or camshafts
- Reduce installation time by 75% — Hence the name Time Saver
- Larger 9mm diameter chrome moly tubing provides superior strength and minimizes pushrod flex
- Single adjuster end provides pushrod lengths from 9.5" to 11.5" for stock height and taller engines
- Kit includes set of four pushrods and installation instructions

### TIME-SAVER ADJUSTABLE PUSHRODS

Description	Part #	MSRP
Pushrod Set	930-0052 	\$178.95

# QUICKEE ADJUSTABLE PUSHRODS

### FITMENT

- 1984–'99 big twin

### FEATURES AND BENEFITS

- Easy to install — no need to remove rocker covers
- Adjustable to work with all stock and aftermarket cams
- Works with stock pushrod covers



When a Quickee adjustable pushrod is collapsed, it can easily be installed or removed from an assembled engine.

REPLACEMENT PARTS: SEE PAGE 353

### QUICKEE ADJUSTABLE PUSHRODS

Application	Displacement	Part #	MSRP
1984–'99 big twin	80"–98", 113", 117", 124"	93-5120 <sup>†</sup>	\$178.95
	107", 111" & S&S 88"	93-5123	\$175.95

<sup>†</sup>Will not fit in an 88" engine which is .175" shorter. The rear intake pushrod is too long.



93-5120

# STANDARD ADJUSTABLE PUSHRODS

### FITMENT

- 1984–'99 big twins

### FEATURES AND BENEFITS

- Made out of 7/16" O.D. chromoly steel tubing for strength and durability
- Adjustable to work with all stock or aftermarket cams
- Compatible with solid and hydraulic lifters



93-5076

### PUSHROD SETS FOR 1984–'99 BIG TWINS

Displacement	Cylinder Length	Part #	MSRP
100"*	4.745"	93-5090	\$121.95
88", 107"*	5.375" (-.175")/4.870*	93-5017	\$121.95
93", 113"*	5.500" (-.050")/4.995*	93-5018	\$121.95
80", 89", 96"	5.550" (Stock)	93-5076	\$121.95
98"	5.625" (+.075")	93-5019	\$121.95
103"	5.750" (+.200")	93-5020	\$121.95

\*These are S&S 4" bore engines using +.500" deck crankcases. Cylinder lengths are .500" shorter.

### PUSHROD SETS FOR 1984–'99 4 1/8" BORE BIG TWINS

Displacement	Cylinder Length	Part #	MSRP
111"	4.764"	93-5017	\$121.95
117"	4.889"	93-5018	\$121.95
124"	5.014"	93-5019	\$121.95

NOTE: Crankcases used in S&S 4 1/8" bore engines have 6.000" cylinder deck height. The increased deck height effects the cylinder length. Do not use cylinder lengths in this chart to select pushrods for engines built in crankcases with stock, 5.375" deck height.

REPLACEMENT PARTS: SEE PAGE 353



# NON-ADJUSTABLE PUSHRODS



## FITMENT

- 1984–'99 Harley-Davidson® Evolution big twin engines

## FEATURES AND BENEFITS

- Replaces stock pushrods perfectly
- 7/16" high strength chromoly steel tubing for increased strength
- Pushrods are marked with stock color code and valve position for easy installation

## NON-ADJUSTABLE PUSHRODS

Description	Part #	MSRP
Pushrods Only	<b>930-0041</b>	\$70.95

# PUSHROD COVERS AND RELATED PARTS

## PUSHROD REPLACEMENT PARTS

Item Description	Part #	MSRP
S&S Pushrod Cover Kit* (includes Top and bottom covers, Cover cap, Cover spring, & Spring washers)	Stock Height	<b>93-4039</b> \$154.95
	1" or more taller than stock	<b>93-4038</b> \$154.95
Top Cover   1,2,3 17935-66T, 17935-79B	each	<b>93-4016</b> \$13.95
Bottom Cover 17938-83	each	<b>93-4015</b> \$14.95
Cover Cap   1,2,3 17945-36B	each	<b>93-4017</b> \$9.95
Cover Spring   1,2,3 17947-36	each	<b>93-4018</b> \$2.95
Cover Cap Washer 6762B	each	<b>50-7131</b> \$2.95
Bottom Cover Washer	each	<b>50-7051</b> \$2.95
Top O-ring	each	<b>50-8039</b> \$2.95
Middle O-ring	each	<b>50-8038</b> \$2.95
Bottom O-ring	each	<b>50-8037</b> \$2.95
Quad Seal 11133A	each	<b>50-8064-S</b> \$3.95
Pushrod O-ring Kit	each	<b>93-4022</b> \$7.95
Ball End  1,2,3	Fits S&S adjustable with 7/16"-32 threads. (Manufactured after 2-1-1996)	each <b>93-5002</b> \$11.95
Adjusting Unit Locknut	Fits S&S adjustable pushrods with early stock 7/32"-32 threads	each <b>33-5333</b> \$4.95
	Fits S&S adjustable pushrods with 7/16"-32 threads. (Manufactured after 2-1-1996)	each <b>93-5003-S</b> \$3.95



93-4016



93-4015



93-4017



93-4018



50-7131



50-8037



50-8039



50-8038

## PUSHROD COVER KEEPER SETS FOR 1984-'99 BIG TWINS

Length	Application	Part #	MSRP
2.400" 17950-48		<b>93-4070</b>	\$31.95
2.500"		<b>93-4100</b>	\$31.95
2.600"	79", Retro 100"	<b>93-4101</b>	\$31.95
2.800" 17950-86		<b>93-4115</b>	\$31.95
2.900"		<b>93-4102</b>	\$31.95
3.000"	100"	<b>93-4103</b>	\$31.95
3.100"	88", 107", 110", 111", 113"	<b>93-4104</b>	\$31.95
3.200"	93", 89", 96", 117"	<b>93-4105</b>	\$31.95
3.330" 17949-40, 17950-66	98", 124"	<b>93-4106</b>	\$31.95
3.500"	103"	<b>93-4107</b>	\$31.95
3.625"		<b>93-4108</b>	\$31.95
4.250"		<b>93-4109*</b>	\$39.95



93-4101

All S&S pushrod keepers are chromed steel, except part #93-4109. Keeper part #93-4109 is intended for unusually tall engines. It is manufactured of unchromed stainless steel to prevent rust or peeling after it is trimmed to the required length.

\*Custom extra long stainless steel 4.250", customer to cut to required length. Keepers are sold in sets of four. Keeper length for stock Harley-Davidson® with 80" engines is 3.330"

All reference to HD® Part #s is for identification purposes only. We in no way are implying that any of S&S® Cycle's products are original equipment parts or that they are equivalent to the corresponding HD Part # shown.

# SIDEWINDER® .650" LIFT VALVE SPRINGS

### FITMENT

- 1984–'99 Evolution® with stock heads

### FEATURES AND BENEFITS

- Works well with cams up to .650" lift
- Manufactured from ultra clean high silicon Kobe alloy wire then micro shot peened and nitrided
- CNC machined 9° locks
- High performance conical single wire spring
- Chromoly forged retainers

### KIT CONTENTS

- Valve keepers, Top & Bottom collars, Springs, Shims



### S&S® .650" LIFT VALVE SPRINGS SPECIFICATIONS

Lift	Installed Height	Seat Force	Force @ Max Lift	Max RPM
.650"	1.860"	178 lb.	376 lb.	6500

### .650" LIFT VALVE SPRING KIT

Description	Part #	MSRP
1984–'99 Evolution® with stock heads	<b>900-0050</b>	\$209.95

### NOTE

S&S recommends roller rocker arms be used with lifts over .585"

# STREET PERFORMANCE .585" VALVE SPRINGS

### FITMENT

- 1984–'99 Evolution® with stock heads
- All S&S Super Stock® heads

### FEATURES AND BENEFITS

- Single coil reduce the risk of valve float
- Suitable for high performance applications
- Accommodates camshaft lift to 0.585"

### KIT CONTENTS

- Springs, Top & Bottom Collars, Keepers, Shims

### S&S® STREET PERFORMANCE .585" VALVE SPRINGS SPECIFICATIONS

Lift	Installed Height	Seat Force	Force @ Max Lift
.585"	1.850"	135 lb.	325 lb.

### STREET PERFORMANCE .585" SPRING KIT

Description	Part #	MSRP
1984–'99 big twins with stock heads	<b>900-0593</b>	\$131.95
All S&S Super Stock® heads	<b>900-0595</b>	\$131.95



900-0593

VALVE SPRING REPLACEMENT PARTS STARTING ON PAGE 373

# FORGED ROCKER ARMS

## FITMENT

- 1984–up big twins

## FEATURES AND BENEFITS

### ROLLER ROCKER ARMS

- Extremely durable rollers reduce valve side thrusting with high lift cams
- Superior wear and fatigue resistance even in the most demanding applications
- ¾" long bushings provide 50% more bushing support area than ½" long bushings

### STANDARD ROCKER ARMS

- ¾" long bushings provide 50% more bushing support area than ½" long bushings

## KIT CONTENTS

- 2 front and 2 rear rocker arms



### FORGED ROLLER ROCKER ARM KIT

Description	Part #	MSRP
2 front and 2 rear rocker arms (1.625:1)	<b>900-4065A</b>	\$545.95

Adjustable pushrods must be used with S&S roller rocker arms to obtain proper valve clearance.  
New rocker arm shafts are recommended for maximum performance and rocker life.



### STANDARD FORGED ROCKER ARM KIT

Description	Part #	MSRP
2 front and 2 rear rocker arms (1.625:1)	<b>900-4119A</b>	\$272.95

New rocker arm shafts are recommended for maximum performance and rocker life.



90-4036

### ROCKER ARM SHAFTS

Description	Part #	MSRP
Set of 4	<b>90-4036</b> 17611-83B	\$38.95
Individual	<b>90-4006</b> 17611-83B	\$11.95

New rocker arm shafts are recommended for maximum performance and rocker life.



90-4104

### REPLACEMENT PARTS FOR FORGED ROCKER ARMS

Rocker Arm Type	Description	Part #	MSRP
Roller	Front exhaust or rear intake rocker arm	<b>900-4065FA</b>	\$157.95
	Rear exhaust or front intake rocker arm	<b>900-4065RA</b>	\$157.95
Standard	Front exhaust or rear intake rocker arm	<b>900-4119FA</b> 17375-83A	\$94.95
	Rear exhaust or front intake rocker arm	<b>900-4119RA</b> 17360-83A	\$94.95
Roller	Rebuild kits (rebuilds 4 rocker arms)	<b>90-4104</b>	\$131.95
Roller & Standard	Rocker arm bushing (¾" long)	<b>90-4014</b>	\$9.95

## NOTES

- S&S roller rocker arms are recommended for use with cams having more than 0.585" of lift.
- Adjustable pushrods must be used with S&S roller rocker arms to obtain proper valve clearance.
- New rocker arm shafts are recommended for maximum performance and rocker life.

All reference to HD® Part #s is for identification purposes only. We in no way are implying that any of S&S® Cycle's products are original equipment parts or that they are equivalent to the corresponding HD Part # shown.

# PERFORMANCE REPLACEMENT CYLINDER HEADS FOR 3-1/2" AND 3-5/8" BORE

## FITMENT

- 1984–'99 big twins
- Stock displacement
- Stock bore strokers
- Big bore engines up to 96"



106-4570

## FEATURES AND BENEFITS

- Compatible with stock or other flat topped pistons
- Heads can be decked .060" if higher compression is desired
- Port design increases flow, while maintaining velocity specifically designed for stock and small displacement engines
- Compatible with up to .585" lift cams with TDC lifts of .252" intake and .210" exhaust
- Stock diameter ports allows installation of original intake manifolds and exhaust
- Stock temperature sensor location for EFI equipped engines
- High compression is 76cc, low compression is 82cc in chamber

## KIT CONTENTS

- Two complete heads with valves and springs

## COMPRESSION RATIO COMPARISON CHART

Engine Size	S&S® Performance Replacement		Stock HD®
	High Compression 76cc	Low Compression 82cc	
96"	10:1	9.5:1	9.75:1
89"	9.4:1	8.9:1	9.25:1
80"	8.8:1	8.4:1	8.5:1

## FLOW COMPARISON CHART

Cylinder Head Type	Valve Diameter		.600" Lift Flow @ 10"	
	Intake	Exhaust	Intake	Exhaust
Stock HD®	1.840"	1.610"	125cfm	98cfm
S&S Performance Replacement	1.900"	1.605"	142cfm	109cfm
S&S® Super Stock®	2.000"	1.605"	158cfm	122cfm

## PERFORMANCE REPLACEMENT CYLINDER HEADS

Finish	Low Compression 82cc*	MSRP	High Compression 76cc	MSRP
Natural	<b>106-3466</b>	\$1,147.95	<b>106-6059</b>	\$1,147.95
WBlack	<b>106-4570</b> 16696-92A	\$1,213.95	<b>106-6064</b>	\$1,213.95
Polished	<b>106-4575</b>	\$1,592.95	—	—

## GASKET KITS FOR S&S PERFORMANCE REPLACEMENT CYLINDER HEADS

Bore Size	Part #	MSRP
3½"	<b>90-1905</b>	\$41.95
3⅝"	<b>90-1906</b>	\$40.95

DISCLAIMER: NOT LEGAL FOR SALE OR USE IN CALIFORNIA ON ANY POLLUTION CONTROLLED MOTOR VEHICLE. Not legal for sale or use on any

EPA pollution controlled motor vehicle.

\*Used on V96 engines with flat top pistons



**ALL OTHER SPECIFICATIONS AND FINISHES ARE AVAILABLE THROUGH SPECIAL ORDER 106-5696\*** Call for Pricing

\*Special Order: Download the Special Order Form at [sscycle.com/soforms](http://sscycle.com/soforms)

## NOTE

S&S recommends that all clearances be checked with high lift cams, especially if the heads have been decked to increase compression.

REPLACEMENT PARTS: SEE PAGE 386

# SUPER STOCK™ CYLINDER HEADS FOR 3-1/2" AND 3-5/8" BORE

## FITMENT

- 1984–'99 big twin with 3½" or 3⅝" bore  
(not compatible with stock or flat top pistons)

## FEATURES AND BENEFITS

- Machined with a stock bolt pattern
- Larger, more open combustion chamber presents less resistance to air flow around the valves
- 2.000" intake valves and 1.605" exhaust valves
- Special "cast to shape" intake ports with a special directional fin for improved air flow
- Precision CNC machined from heat treated aircraft quality aluminum castings

## KIT CONTENTS

- Complete head assembly with valves and S&S .650" lift springs

## ! ADDITIONAL PARTS (REQUIRED)

Super Stock® Pistons	
3½" bore.....	See PAGE 348
3⅝" bore.....	See PAGE 347
Gasket Kit.....	See chart

REPLACEMENT PARTS: SEE PAGE 387



90-1504

## ASSEMBLED S&S® SUPER STOCK™ HEAD KITS

Finish	Part #	MSRP
Natural	<b>90-1004</b> USA	\$1,147.95
WBlack	<b>90-1504</b> USA	\$1,213.95
Polished	<b>90-1091</b> USA	\$1,592.95

## GASKET KITS FOR S&S SUPER STOCK™ CYLINDER HEADS

Bore Size	Part #	MSRP
3½"	<b>90-1905</b>	\$41.95
3⅝"	<b>90-1906</b>	\$40.95

# SUPER STOCK™ CYLINDER HEADS FOR 4" BORE S&S ENGINES

## FITMENT

- 4" bore S&S V-Series engines

## FEATURES AND BENEFITS

- Special S&S 4" bore bolt pattern
- Machined for S&S manual or electric compression releases
- 2.000" intake valves and 1.605" exhaust valves
- Special "cast-to-shape" intake ports with a special directional fin for improved air flow
- Precision CNC machined from heat treated aircraft quality aluminum castings

## KIT CONTENTS

- 2 fully assembled cylinder heads with S&S valve springs (.640" or .585" lift)
- Threaded plugs to seal compression release holes



90-1015

### ASSEMBLED S&S® SUPER STOCK® HEAD KITS FOR 4" V-SERIES ENGINES

Description	Valve Springs	FINISH					
		Natural	MSRP	WBlack	MSRP	Polished	MSRP
84cc	.650" lift	<b>90-1015</b>	\$1,328.95	-	-	-	-
93cc	.650" lift	<b>90-1009</b> USA <sub>2</sub>	\$1,328.95	<b>90-1509</b> USA <sub>2</sub>	\$1,399.95	<b>90-1070</b>	\$1,574.95
	.585" lift	<b>90-1280</b>	\$1,328.95	<b>90-1281</b>	\$1,399.95	<b>90-1282</b>	\$1,816.95

## NOTES

Due to expanded stud pattern, these heads will not fit on stock Evolution® engines  
84cc heads are stock on 100" engines  
93cc heads are stock on 107" and 113" engines

### EXTRA PARTS NEEDED:

Gasket Kit For S&S® 4" Bore Heads ..... **90-1909**

**REPLACEMENT PARTS: SEE PAGE 388**

**ALL OTHER SPECIFICATIONS AND FINISHES ARE AVAILABLE THROUGH SPECIAL ORDER 106-5695\*** Call for Pricing

\*Special Order: Download the Special Order Form at [sscycle.com/soforms](http://sscycle.com/soforms)

# CYLINDER HEADS FOR 4-1/8" BORE V-SERIES ENGINES

## FITMENT

- 4 1/8" bore S&S V-Series engines

## FEATURES AND BENEFITS

- Redesigned cooling fins – reduces mechanical noise
- 2.00" intake – 1.605" exhaust
- Complete head with .650 springs



90-1362

### 91cc 4 1/8" BORE S&S® REPLACEMENT CYLINDER HEADS

Finish	Part #	MSRP
Natural	<b>90-1360</b> USA <sub>3</sub>	\$1,510.95
WBlack	<b>90-1361</b> USA <sub>3</sub>	\$1,574.95
Polished	<b>90-1362</b> USA <sub>3</sub>	\$1,953.95

### GASKET KITS

#### FOR S&S SUPER STOCK™ CYLINDER HEADS

Bore Size	Part #	MSRP
4 1/8"	<b>90-1910</b> USA <sub>3</sub>	\$49.95

## NOTE

Replacement heads for existing engines with the old fin profile are available as complete front or rear head assemblies only, by special order.

**REPLACEMENT PARTS: SEE PAGE 387**

**ALL OTHER SPECIFICATIONS AND FINISHES ARE AVAILABLE THROUGH SPECIAL ORDER 90-1013\*** Call for Pricing

\*Special Order: Download the Special Order Form at [sscycle.com/soforms](http://sscycle.com/soforms)

# HEAD BOLTS WITH WASHERS

## HEAD BOLT INFORMATION CHART

Length w/ Washer	Washer Thickness	Head Bolt w/Washer	MSRP	Washers Only	MSRP
1.690"	.250"	<b>93-3028</b>	\$10.95	<b>50-7091</b>	\$2.95
1.840"	.150"	<b>93-3027</b>	\$10.95	<b>50-0418-S</b>	\$4.95
1.920"	.250"	<b>93-3036</b>	\$15.95	<b>50-7091</b>	\$2.95
2.070"	.150"	<b>93-3031</b>	\$15.95	<b>50-0418-S</b>	\$4.95
2.220"	.250"	<b>93-3038</b>	\$15.95	<b>50-7091</b>	\$2.95
2.370"	.150"	<b>93-3032</b>	\$15.95	<b>50-0418-S</b>	\$4.95
3.134"	.250"	<b>93-3029</b>	\$15.95	<b>50-7091</b>	\$2.95
3.284"	.150"	<b>93-3030</b>	\$15.95	<b>50-0418-S</b>	\$4.95
3.501"	.250"	<b>93-3037*</b>	\$15.95	<b>50-7091</b>	\$2.95
3.651"	.150"	<b>93-3033*</b>	\$15.95	<b>50-0418-S</b>	\$4.95

\*Drilled & tapped deeper to allow shortening for custom lengths.



## HEAD BOLT WASHERS

Thickness	Part #	MSRP
.150"	<b>50-0418-S</b>	\$4.95
.250"	<b>50-7091</b>	\$2.95

## HEAD BOLTS FOR HARLEY-DAVIDSON® 1984-'99 BIG TWINS

Displacement	Cylinder Length	Cylinder Head Type	Short Bolt w/Washer	MSRP	Long Bolt w/Washer	MSRP	Head Bolt Kit	MSRP
S&S® 89 / HD® 80	5.550"	S&S + Late 1985-'91 HD	<b>93-3027</b>	\$10.95	<b>93-3030</b>	\$15.95	<b>93-3010</b>	\$82.95
		1991-99 HD	<b>93-3036</b>	\$15.95	<b>93-3030</b>	\$15.95	<b>93-3014</b>	\$118.95
S&S V96	5.565"	S&S + Late 1985-'91 HD	<b>93-3027</b>	\$10.95	<b>93-3030</b>	\$15.95	<b>93-3010</b>	\$82.95
		1991-99 HD	<b>93-3036</b>	\$15.95	<b>93-3030</b>	\$15.95	<b>93-3014</b>	\$118.95
S&S V100	4.745"	S&S	<b>93-3027</b>	\$10.95	<b>93-3037</b>	\$15.95	<b>93-3010</b>	\$82.95
S&S V103	5.750"	S&S + Late 1985-'91 HD	<b>93-3036</b>	\$15.95	<b>93-3037</b>	\$15.95	<b>93-3015</b>	\$118.95
		1991-99 HD	<b>93-3038</b>	\$15.95	<b>93-3037</b>	\$15.95	<b>93-3016</b>	\$118.95
S&S V107	4.870"	S&S	<b>93-3038</b>	\$15.95	<b>93-3037</b>	\$15.95	<b>93-3016</b>	\$118.95
S&S V113	4.995"	S&S	<b>93-3032</b>	\$15.95	<b>93-3033</b>	\$15.95	<b>93-3013</b>	\$118.95
S&S V111	4.763"	S&S	–	–	<b>93-3030</b>	\$15.95	<b>93-3070</b>	\$118.95
S&S V117	4.888"	S&S	–	–	<b>93-3030</b>	\$15.95	<b>93-3070</b>	\$118.95
S&S V124	5.013"	S&S	–	–	<b>93-3033</b>	\$15.95	<b>93-3072</b>	\$118.95

## CALCULATING CUSTOM HEAD BOLT LENGTHS SEE PAGE 547



**50-0333**

Dress up your engine with these magnetic chrome head bolt covers. Easy installation, no tools, no messy adhesives. A powerful magnet holds cover in place, yet allows easy removal. Chrome plated steel looks great on any engine, but is a must for polished engines. For S&S head bolts only.

## CHROME HEAD BOLT COVERS<sup>‡</sup>

Set of 4	<b>50-0333</b>	\$69.95
----------	----------------	---------

<sup>‡</sup> WARNING: Cancer and Reproductive Harm –  
www.P65Warnings.ca.gov

# BILLET AND DIE-CAST ROCKER COVERS

## FITMENT

- 1984–'99 big twins
- S&S 4 1/8" Bore

## FEATURES AND BENEFITS

- OEM-style "umbrella" fittings are included with billet rocker boxes for 1993–'99 big twin engines with cylinder head venting.
- Cast rocker boxes use an exclusive one way valve, which is built into the rocker cover gasket to control oil carry over in "head breathing" engines.
- S&S billet rocker covers are available in two finishes: show quality chrome or unfinished. Unfinished is ideal for powder coating and other custom cosmetic treatments. Die-cast covers are available in chrome finish only.
- Installation on stock and most comparable sized engines can be performed without removing the engine from the frame.

## KIT CONTENTS

- 2 covers
- All necessary gaskets, o-rings, and mounting hardware



### DIE-CAST ROCKER COVER KITS & REPLACEMENT GASKET KIT

Application	Description	Part #	MSRP
1984–'99 big twins	Chrome Die-Cast Rocker Cover Kit <sup>USA</sup> 1,2	90-4095±	\$944.95
	Replacement Gasket Kit	90-4091	\$67.95
S&S 4 1/8" Bore Engines	Chrome Die-Cast Rocker Cover Kit	90-4110±	\$892.95
	Replacement Gasket Kit	90-4111	\$57.95

± WARNING: Cancer and Reproductive Harm — www.P65Warnings.ca.gov



S&S billet rocker covers

### BILLET ROCKER COVER KITS & REPLACEMENT GASKET KIT

Description	Part #	MSRP
Chrome Billet Rocker Cover Kit	90-4050±	\$1,364.95
Unfinished Billet Rocker Cover Kit	90-4055	\$1,049.95
Replacement Gasket Kit	90-4049	\$73.95

± WARNING: Cancer and Reproductive Harm — www.P65Warnings.ca.gov

## NOTES

In spite of the similarities between different S&S billet and cast rocker covers, not all parts are interchangeable. See PAGE 390 & PAGE 391 for correct Part #s.

The performance-oriented design of the billet rocker boxes permits valve lifts up to .710" with stock or S&S Super Stock® heads, and up to .810" with S&S Special Application heads. S&S roller rocker arms are recommended for high lift cams. Cast rocker boxes may require some minor clearancing, and it is recommended that they be ordered either polished or unfinished, so that clearancing may be done without disturbing chrome plated surfaces.

S&S billet rocker covers accept valve springs up to 1.660" O.D. without modification. Cast rocker boxes may require minor clearancing. Cylinder heads must be set up correctly for high-lift cams, and it remains the builder's responsibility to confirm all clearances.

Kits include front and rear cover assemblies with base and top cover, rocker shaft supports, gaskets and o-rings, and instructions.

REPLACEMENT PARTS: SEE PAGE 390 & 391

# MANIFOLDS FOR CARBURETED ENGINES

## FITMENT

- 1984–'99 big twins
- S&S and other butterfly carbs
- CV carbs

## FEATURES AND BENEFITS

- Fits stock or S&S heads
- Available for stock engines and engines with longer or shorter cylinders
- Other lengths are available by special order
- Provision for VOES lines, MAP sensors, and cylinder head vents in 4 1/8" bore engines

### CV MANIFOLDS FOR 1984–'99 BIG TWINS

Displacement	Cylinder Length	Size Number	Part #	MSRP
80", 89", 96"	5.550"	410	<b>160-1736</b>	\$125.95
88"	5.375"	397	<b>160-1733</b>	\$125.95
93"	5.500"	406	<b>160-1734</b>	\$125.95
100"	*4.745"	387	<b>160-1732</b>	\$125.95
107"	*4.870"	397	<b>160-1733</b>	\$125.95
113"	*4.995"	406	<b>160-1734</b>	\$125.95
Special Order	Specify	Specify	<b>169-1725A**</b>	Call for Pricing

\*Cylinder lengths reflect the use of S&S SA crankcases with +.500 deck height in S&S 4" bore engines.

\*\*Special Order: Download the Special Order Form at [sscycle.com/soforms](http://sscycle.com/soforms)

SEE PAGE 361 FOR U-RINGS FOR CONSTANT VELOCITY CARBS



**160-1628**  
Big twins with stock or S&S Super Stock® ignition



**16-2588**  
Engines with S&S IST® ignition (MAP Sensor ready manifold)



**16-2594**  
S&S 4 1/8" bore engines with Super Stock ignition



**160-1736**  
CV style carbs

## NOTE

S&S style o-rings must be used with these manifolds. S&S o-rings are slightly thinner to accommodate the larger S&S port diameter. Use of stock o-rings may damage the manifold. See PAGE 371.

### MANIFOLDS FOR CARBURETED 1984–'99 EVOLUTION® AND S&S ENGINES WITH STOCK OR S&S SUPER STOCK™ IGNITION — VOES FITTING

Displacement	Cylinder Length	Size Number	S&S ES, LS, Super A, B, E, Tillotson®, Bendix®, Keihin®	MSRP	Super G	MSRP	Super D	MSRP
88"	5.375"	397	<b>160-1626</b>	\$104.95	<b>16-2526</b>	\$125.95	—	—
93"	5.500"	406	<b>160-1627</b>	\$104.95	<b>16-2527</b>	\$125.95	—	—
80", 89", 96"	Stock (5.550")	410	<b>160-1628</b>	\$104.95	<b>16-2528</b>	\$125.95	<b>16-3528</b>	\$99.95
103"	5.750"	426	<b>160-1632</b>	\$125.95	<b>16-2532</b>	\$125.95	<b>16-3532</b>	\$104.95
107"	*5.375"	397	<b>160-1626</b>	\$104.95	<b>16-2526</b>	\$125.95	—	—
111"	4.763"	398	<b>160-1760</b>	\$125.95	—	—	—	—
113"	*5.500"	406	<b>160-1627</b>	\$104.95	<b>16-2527</b>	\$125.95	—	—
Special Order	Specify	Specify	<b>169-1639**</b>	Call for Pricing	<b>16-2539**</b>	Call for Pricing	—	—

\*Cylinder lengths reflect the use of S&S SA crankcases with +.500 deck height in S&S 4" bore engines.

\*\*Special Order: Download the Special Order Form at [sscycle.com/soforms](http://sscycle.com/soforms)

### SPECIAL INTAKE MANIFOLDS FOR CARBURETED S&S® ENGINES FOR 1984–'99 BIG TWINS (REQUIRING MAP SENSOR MACHINING)

Displacement	Cylinder Length	Size Number	Super E	MSRP	Super G	MSRP	Super D	MSRP
<b>Evolution and S&amp;S Engines with Intelligent Spark Technology (IST®) Ignition — MAP Sensor Port</b>								
80", 89", 96"	5.550"	410	<b>160-1718</b>	\$125.95	<b>16-2588</b>	\$125.95	—	—
107"	4.870"	397	<b>160-1643</b>	\$104.95	—	—	—	—
111"	4.763"	398	<b>160-4487</b>	\$125.95	<b>16-2604</b>	\$125.95	—	—
113"	4.995"	406	—	—	<b>16-2606<sup>USA</sup></b>	\$125.95	—	—
117"	4.888"	408	—	—	<b>16-2603</b>	\$157.95	—	—
124"	5.013"	417	—	—	<b>16-2598</b>	\$125.95	<b>16-3593</b>	\$104.95
Special Order	Specify	Specify	<b>169-1639**</b>	Call for Pricing	<b>16-2539**</b>	Call for Pricing	—	Call for Pricing
<b>4 1/8" Bore S&amp;S Engines with Super Stock® Ignition — Extra Vacuum Fitting</b>								
111"	4.763"	398	<b>160-1760</b>	\$125.95	<b>16-2594</b>	\$125.95	—	—
117"	4.888"	408	—	—	<b>16-2595</b>	\$125.95	—	—
124"	5.013"	417	—	—	<b>16-2596</b>	\$125.95	<b>16-3592</b>	\$104.95
Special Order	Specify	Specify	—	—	<b>16-2539**</b>	Call for Pricing	—	—

\*\*Special Order: Download the Special Order Form at [sscycle.com/soforms](http://sscycle.com/soforms)



**REPLACEMENT PARTS FOR MANIFOLDS**

Description	Part #	MSRP
Manifold Fitting VVES Rubber Cap 3/16" I.D. x 5/16" O.D. x 1/2"	<b>50-8372</b>	\$2.95
Manifold Vacuum Fitting	<b>16-0136-S</b>	\$3.95

**U-RINGS FOR CONSTANT VELOCITY CARBS**

Description	Part #	MSRP
U-ring, 40-42mm 27002-89	<b>16-0242</b>	\$31.95
U-ring, 44-48mm	<b>16-0241</b>	\$26.95



16-0136-S



50-8372



16-0241



16-0242

# MANIFOLDS FOR SINGLE BORE EFI ENGINES

**FITMENT**

- Stock or S&S Hot Set Up Kit® equipped 1995–'98 big twins with S&S 52mm or 58mm throttle bodies, stock or S&S heads
- S&S V-Series engines

**NOTE**

The included S&S style o-ring, part #16-0235, must be used with these manifolds. S&S o-rings are slightly thinner to accommodate the larger S&S port diameter. Stock o-rings may damage the manifold.

**SINGLE BORE EFI MANIFOLDS**

Displacement	Cylinder Length	Size Number	Part #	MSRP
80", 89", 96"	5.550"	410	<b>16-5141</b>	\$199.95
V107"	4.763"	398	<b>16-5136</b>	\$199.95
V111"	4.763"	398	<b>16-5136</b>	\$199.95
V124"	5.013"	417	<b>16-5139</b>	\$199.95

Manifolds include the required S&S style o-ring.



16-5141

# MANIFOLD CONVERSION KIT

**MANIFOLD CONVERSION SELECTION CHART**

Application	Cylinder Length	Size No.	S&S ES, LS, Super B, Super E Tillotson®, Bendix®, Keihin®	MSRP
1984–'89 big twin	5.550"	410	<b>160-1658</b>	\$209.95

**REPLACEMENT PARTS**

Description	Part #	MSRP
Manifold	<b>160-1628</b>	\$104.95
Flanges	Front 27009-86A <i>each</i>	<b>16-0232</b> \$41.95
	<i>5 pack</i>	<b>16-0600</b> \$199.95
	Rear 27010-86A <i>each</i>	<b>16-0233</b> \$41.95
	<i>5 pack</i>	<b>16-0601</b> \$199.95
Set (Front & Rear)	<b>106-3516</b>	\$62.95
O-rings	<i>each</i>	<b>16-0235</b> \$6.95
	<i>10 pack</i>	<b>16-0243</b> \$48.95
0.350" Spacers	<b>50-7044</b>	\$2.95



**NOTES**

S&S rigid mount manifolds are designed to improve intake tract air flow.

These manifolds may change the way a stock carburetor and air cleaner assembly fit. This means that these components may require shimming and/or a slight change in mounting bracketing.

S&S manifold conversion kits for Harley-Davidson® Evolution® are designed to fit stock displacement engines.

Series #16-1600 manifolds included in Manifold Conversion Kits are machined with a 1 7/8" throat and will fit stock Keihin® butterfly carburetors, all S&S 1 3/4" and 1 7/8" carbs, and any other carburetors with the same mounting bolt pattern.

S&S style o-rings must be used with these manifolds. S&S o-rings are slightly thinner to accommodate the larger S&S port diameter. Use of stock o-rings may damage the manifold.

# BLACK SUPER E & G CARBURETORS

## FEATURES AND BENEFITS

- Exclusive black coating — heat and chemical resistant
- Offered in standard venturi or increased venturi diameter — specially machined for 7% more flow

### BLACK CARBURETORS FOR 1985–2005 BIG TWINS

Fitment	Description	Part #	MSRP
Increased venturi diameter <i>(7% more flow)</i>	Super E Carb	<b>110-0099</b>	\$424.95
	Super G Carb	<b>110-0100</b>	\$451.95
Standard venturi diameter	Super E Carb	<b>110-0133</b>	\$440.95
	Super G Carb	<b>110-0138</b>	\$440.95

DISCLAIMER: NOT LEGAL FOR SALE OR USE IN CALIFORNIA ON ANY POLLUTION CONTROLLED MOTOR VEHICLE. Not legal for sale or use on any EPA pollution controlled motor vehicle.

## NOTE

These black carb kits do not include air cleaners. Air cleaner options are available starting on PAGE 320.



# SUPER E & G COMPLETE CARBURETOR KITS

## FITMENT

- 1984–'99 big twins

## FEATURES AND BENEFITS

- Four fuel delivery ports — Better throttle response
- O-ring sealed idle mixture screw
- Increased air flow for more power
- Adjustable accelerator pump for quick throttle response and easy starting
- Utilization of the factory dual cable system ensures safe operation
- Direct replacement and high quality fit and finish — less down time and better performance
- Variable position enrichment starting system

### SUPER E & G COMPLETE CARBURETOR KITS

Fitment	Super E	MSRP	Super G	MSRP
1993–'99 big twin	<b>11-0419</b>	\$640.95	<b>11-0434</b>	\$661.95
1984–'92 big twin	<b>11-0407</b>	\$640.95	<b>11-0427</b>	\$661.95

DISCLAIMER: NOT LEGAL FOR SALE OR USE IN CALIFORNIA ON ANY POLLUTION CONTROLLED MOTOR VEHICLE. Not legal for sale or use on any EPA pollution controlled motor vehicle.

### SUPER E & G PARTIAL KIT (NO MANIFOLD)

Fitment	Super E	MSRP	Super G	MSRP
1993–'99 big twin	<b>11-0442</b>	\$577.95	-	-
1984–'92 big twin	<b>11-0440</b>	\$577.95	-	-
1993–'99 big twin	-	-	<b>11-0446</b>	\$629.95

Does not include intake manifold. Partial kit designed for engines with longer/shorter than stock cylinders. Manifold is ordered separately. See PAGE 360

DISCLAIMER: NOT LEGAL FOR SALE OR USE IN CALIFORNIA ON ANY POLLUTION CONTROLLED MOTOR VEHICLE. Not legal for sale or use on any EPA pollution controlled motor vehicle.

### SUPER E & G CARBURETOR ONLY

Fitment	Super E	MSRP	Super G	MSRP
All Years & Models	<b>11-0420</b>	\$384.95	<b>11-0421</b>	\$419.95

DISCLAIMER: NOT LEGAL FOR SALE OR USE IN CALIFORNIA ON ANY POLLUTION CONTROLLED MOTOR VEHICLE. Not legal for sale or use on any EPA pollution controlled motor vehicle.

## KIT CONTENTS

- Super E or G carburetor
- S&S intake manifold (For engines with stock length cylinders)
- Classic Teardrop air cleaner kit
- Mounting hardware
- Gaskets, seals, and hoses
- Instructions



11-0419



As the throttle plate opens, it exposes more of these holes to engine vacuum and delivers more fuel as rpm increases. When you run out of holes in the intermediate system, the main jet comes in and handles fuel delivery for the higher rpm.

REPLACEMENT PARTS: SEE PAGE 404

## OPTION

Optional cruise control adapter kits allows riders to keep factory cruise feature.



### CRUISE CONTROL ADAPTER KIT

Fitment	Part #	MSRP
1998–'99 big twin	<b>11-2927</b>	\$92.95

## NOTES

S&S® does not recommend polishing or chrome plating Super E & G carbs. Our repair department has seen many carbs with plugged passages due to polishing compounds, and some carbs that have been destroyed because the polishing or chrome plating had altered critical machined surfaces.

Recommended for closed circuit use only—S&S Super E & G carbs shown are not approved for use on motor vehicles operated on California public highways, or in other states where similar pollution laws may apply. The user shall determine the suitability of the product for his or her use and shall assume all risk and liability in connection therewith.

# TWO CABLE THROTTLE ASSEMBLIES

The S&S two cable throttle assemblies are high quality "pull open – pull close" type throttles designed for use on any two cable carburetor installations on bikes with 1" O.D. handlebars. A special soft plastic material used to mold the grips makes them look and feel exactly like stock grips. There are four different assemblies available to make installation on most chassis easy.



## TWO CABLE THROTTLE REQUIRED

S&S Super E and G carburetors require the use of a two cable, pull open–pull closed throttle assembly. Any chassis including 1980 and earlier stock models equipped with a single cable throttle mechanism requires conversion to a two cable, pull open–pull closed type. S&S offers high quality two cable throttle assemblies for this purpose. Stock big twin models from 1981 to present have a two cable throttle and should not require changing. Super E and G Carb kits for 1990 and later models come with the new longer throttle cable guide bracket which allows the use of the stock CV style throttle cables.

## NOTE

The chart on this page is used only when using throttle cable bracket part #11-2339. This bracket is standard on all S&S Super E & G carburetor kits for big twins 1989 and earlier and all kits for Harley-Davidson® Sportster® models with the exception of the kit for 2004-'05 models. Carburetor kits for 1990 and later big twin models come with the longer cable bracket part #11-2338 for use with stock CV throttle cables. Super E and G carburetors ordered for big twin models 1981 and later are being shipped with the correct throttle cable bracket to fit the stock cables. Big twin carbs that are not year specific will be shipped with both cable brackets. All Sportster models 1988-'03 will still require conversion to butterfly style cables.

## THROTTLE CABLE APPLICATION CHART

Application	Fastening Method	Length Total Housing	Length Vinyl Housing	Open Side	MSRP	Close Side	MSRP
FX and FL models 1985 and earlier* Big Twin models 1995 and earlier*	Threaded	36"	32"	<b>19-0432</b>	\$62.95	<b>19-0433</b>	\$62.95
To 1995 Harley-Davidson® Softail® (FXSTC, FXST, FLSTC, FLSTF) 1986-'94 FXR, 1993-'95 Dyna®	Threaded	39"	35"	<b>19-0434</b>	\$62.95	<b>19-0435</b>	\$62.95
To 1995 All FLT models	Threaded	48"	44"	<b>19-0462</b>	\$62.95	<b>19-0463</b>	\$62.95
To 1995 custom application	Threaded	42"	38"	<b>19-0446</b>	\$62.95	<b>19-0447</b>	\$62.95
1996-'99 Softail (FXSTS, FXSTC, FLSTC, FLSTF) 1996-'99 Dyna®	Snap-in	39"	35"	<b>19-0438</b>	\$62.95	<b>19-0439</b>	\$62.95
1996-'99 All FLT models	Snap-in	48"	44"	<b>19-0464</b>	\$62.95	<b>19-0465</b>	\$62.95
1996-'99 custom application	Snap-in	42"	38"	<b>19-0440</b>	\$62.95	<b>19-0441</b>	\$62.95

\*1980 and earlier must be converted to dual cable throttle assembly  
1998 and later required Harley-Davidson® throttle assembly #71831-96.

## REPLACEMENT PARTS

Description	Part #	MSRP
S&S Universal Throttle Cable	<b>106-3520</b>	\$33.95
Throttle Grip Clamp Set 1985–'95	<b>106-3519</b>	\$38.95
Top Throttle Grip Clamp only	<b>19-0222</b>	\$16.95
Bottom Throttle Grip Clamp only	<b>19-0220</b>	\$16.95
Throttle Grip Clamp Screw (Fits S&S throttle assemblies: Part #19-0448, #19-0449, #19-0482, #19-0450, #19-0229)	<b>50-0043</b>	\$3.95
Throttle Grip Set	<b>106-3521</b>	\$60.95
Right Hand Grip only	<b>19-0225</b>	\$37.95
Left Hand Grip only	<b>19-0226</b>	\$25.95
Cable Adjuster (Fits S&S throttle assembly part #19-0229)	<b>19-0223</b>	\$4.95
Cable Adjuster Jam Nut (Fits S&S throttle assembly part #19-0229)	<b>19-0227</b>	\$0.95
Handlebar Spacing Sleeve 4" x 1" O.D. – converts 7/8" handlebars to 1" O.D.	<b>19-0235</b>	\$18.95



All reference to HD® Part #s is for identification purposes only. We in no way are implying that any of S&S® Cycle's products are original equipment parts or that they are equivalent to the corresponding HD Part # shown.

# JETS & CARB REBUILD KITS FOR S&S SUPER E & G CARBURETORS

For those who need to rejet their carburetor because of engine modifications, exhaust modifications, or changes in altitude, we have extra jet kits available which are designed to cover most jetting situations.

### DEALER JET KITS<sup>±</sup>

Description	Part #	MSRP
S&S Carb Parts Kit (Contains needed parts to maintain S&S Super E and G carburetors)	<b>11-3103</b>	\$373.95
S&S Jet Kit (Includes 3 each of all intermediate jets and 5 each of all main jets, plus a main jet tool)	<b>11-3102</b>	\$348.95

<sup>±</sup> ⚠ WARNING: Cancer and Reproductive Harm – www.P65Warnings.ca.gov

### JET PACKS<sup>±</sup>

Description	Part #	MSRP
<b>Low Range Jet Pack</b> — For jetting most stock and moderate performance engines. <i>Includes one each intermediate jets (.025", .0265", .028", .0295") one each main jets (.062", .064", .066", .068", .070", .072", .074").</i>	<b>11-7270</b>	\$52.95
<b>High Range Jet Pack</b> — For jetting some stock and all performance engines. <i>Includes one each intermediate jets (.0295", .031", .032", .033") and one each main jets (.072", .074", .076", .078", .080", .082", .084").</i>	<b>11-7271</b>	\$52.95
<b>Master Jet Pack</b> — For jetting all Super B, E, and G equipped engines. <i>Includes one each intermediate jets (.025", .0265", .028", .0295", .031", .032", .033") and one each main jets (.062", .064", .066", .068", .070", .072", .074", .076", .078", .080", .082", .084").</i>	<b>11-7272</b>	\$89.95

<sup>±</sup> ⚠ WARNING: Cancer and Reproductive Harm – www.P65Warnings.ca.gov

### INTERMEDIATE JETS — SERIES #94 INDIVIDUAL SELECTION<sup>±</sup>

Size	QTY	Part #	MSRP	Size	QTY	Part #	MSRP
.025	each	<b>11-0250</b>	\$10.95	.032	each	<b>11-0320</b>	\$10.95
	3 pack	<b>11-7107</b>	\$27.95		3 pack	<b>11-7112</b>	\$27.95
.0265	each	<b>11-0265</b>	\$10.95	.033	each	<b>11-0330</b>	\$10.95
	3 pack	<b>11-7108</b>	\$27.95		3 pack	<b>11-7113</b>	\$27.95
.028	each	<b>11-0280</b>	\$10.95	.036	each	<b>11-0360</b>	\$10.95
	3 pack	<b>11-7109</b>	\$27.95		3 pack	<b>11-7114</b>	\$27.95
.0295	each	<b>11-0295</b>	\$10.95	.040	each	<b>11-0400</b>	\$10.95
	3 pack	<b>11-7110</b>	\$27.95		3 pack	<b>11-7115</b>	\$27.95
.031	each	<b>11-0310</b>	\$10.95	Blank	each	<b>11-0000</b>	\$9.95
	3 pack	<b>11-7111</b>	\$27.95				

<sup>±</sup> ⚠ WARNING: Cancer and Reproductive Harm – www.P65Warnings.ca.gov

Early Series #94 gas jets were stamped with single digit numbers. Conversions for these numbers are:

- |        |       |        |       |
|--------|-------|--------|-------|
| 1..... | .025" | 4..... | .033" |
| 2..... | .028" | 5..... | .036" |
| 3..... | .031" | 6..... | .040" |



11-3103<sup>±</sup>



11-3102<sup>±</sup>



11-7272<sup>±</sup>



106-3517<sup>±</sup>

## NOTES

No returns or exchanges on jets.

Milwaukee  
Eight  
2007-2017  
Twin Cam  
96"/103"/110"  
1999-2006  
Twin Cam 88"  
1986-2019  
Sportster® & Buell®  
2014-2019  
Street & Street Rod™  
1984-1999  
Evolution®  
1926-1984  
Vintage Engines  
Indian® & Victory® Models  
Tools & Shop Supplies  
Warranty & Company Policy  
Appendix & Index  
365

**MAIN JETS - SERIES #72 INDIVIDUAL SIZE SELECTION±**

Size	QTY	Part #	MSRP	Size	QTY	Part #	MSRP
.040	each	11-4040	\$9.95	.080	each	11-4080	\$9.95
	5 pack	11-7220	\$38.95		5 pack	11-7240	\$38.95
.042	each	11-4042	\$9.95	.082	each	11-4082	\$9.95
	5 pack	11-7221	\$38.95		5 pack	11-7241	\$38.95
.044	each	11-4044	\$9.95	.084	each	11-4084	\$9.95
	5 pack	11-7222	\$38.95		5 pack	11-7242	\$38.95
.046	each	11-4046	\$9.95	.086	each	11-4086	\$9.95
	5 pack	11-7223	\$38.95		5 pack	11-7243	\$38.95
.048	each	11-4048	\$9.95	.088	each	11-4088	\$9.95
	5 pack	11-7224	\$38.95		5 pack	11-7244	\$38.95
.050	each	11-4050	\$9.95	.090	each	11-4090	\$9.95
	5 pack	11-7225	\$38.95		5 pack	11-7245	\$38.95
.052	each	11-4052	\$9.95	.092	each	11-4092	\$9.95
	5 pack	11-7226	\$38.95		5 pack	11-7246	\$38.95
.054	each	11-4054	\$9.95	.094	each	11-4094	\$9.95
	5 pack	11-7227	\$38.95		5 pack	11-7247	\$38.95
.056	each	11-4056	\$9.95	.096	each	11-4096	\$9.95
	5 pack	11-7228	\$38.95		5 pack	11-7248	\$38.95
.058	each	11-4058	\$9.95	.098	each	11-4098	\$9.95
	5 pack	11-7229	\$38.95		5 pack	11-7249	\$38.95
.060	each	11-4060	\$9.95	.100	each	11-4100	\$9.95
	5 pack	11-7230	\$38.95		5 pack	11-7250	\$38.95
.062	each	11-4062	\$9.95	.102	each	11-4102	\$9.95
	5 pack	11-7231	\$38.95		5 pack	11-7251	\$38.95
.064	each	11-4064	\$9.95	.104	each	11-4104	\$9.95
	5 pack	11-7232	\$38.95		5 pack	11-7252	\$38.95
.066	each	11-4066	\$9.95	.106	each	11-4106	\$9.95
	5 pack	11-7233	\$38.95				
.070	each	11-4070	\$9.95	.110	each	11-4110	\$9.95
	5 pack	11-7235	\$38.95		5 pack	11-7255	\$38.95
.072	each	11-4072	\$9.95	.115	each	11-4115	\$9.95
	5 pack	11-7236	\$38.95		5 pack	11-7256	\$38.95
.074	each	11-4074	\$9.95	.120	each	11-4120	\$9.95
	5 pack	11-7237	\$38.95		5 pack	11-7257	\$38.95
.076	each	11-4076	\$9.95				
	5 pack	11-7238	\$38.95				
.078	each	11-4078	\$9.95				
	5 pack	11-7239	\$38.95				

± WARNING: Cancer and Reproductive Harm — www.P65Warnings.ca.gov

**MAIN JET AIR BLEED KIT± (One Jet Each Size)**

Sizes	Part #	MSRP
.042"–.060"	106-3517	\$70.95
.084"–.120"	106-3518	\$56.95

± WARNING: Cancer and Reproductive Harm — www.P65Warnings.ca.gov

**S&S® CARBURETOR REBUILD KITS**

To insure that you continue to get the utmost in performance from your S&S carburetor, we have put together a series of rebuild kits that are designed to provide the proper parts to return a worn carburetor to top shape. We have assembled different types of kits to cover the different degrees of rebuild necessary.

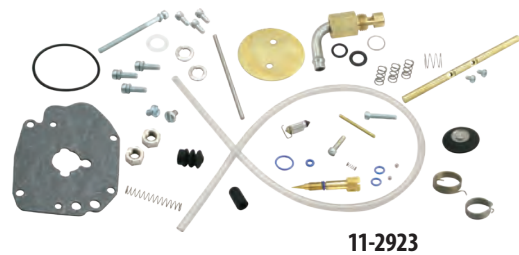
**MASTER REBUILD KITS**

Master rebuild kits contain a body rebuild kit, accelerator pump rebuild kit (Super E and G only), all new fasteners, springs, idle mixture screw, seat, and needle assembly. Everything needed to completely rebuild one carburetor.

**MASTER REBUILD KIT±**

Description	Part #	MSRP
Super E	11-2923	\$89.95
Super G	11-2924	\$89.95

± WARNING: Cancer and Reproductive Harm — www.P65Warnings.ca.gov



**BODY REBUILD KITS**

Body rebuild kits for Super E and G carbs also contain throttle shaft nuts, nylon washers, accelerator pump o-ring, and accelerator pump boot. Body rebuild kits for Super E and G carbs do not contain throttle shaft bushings since these carbs have stainless steel throttle shaft bushings already installed.

**BODY REBUILD KIT±**

Description	Part #	MSRP
Super E	11-2906	\$45.95
Super G	11-2907	\$45.95



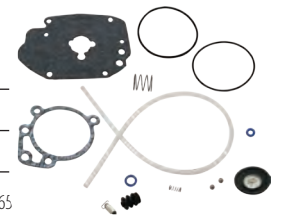
± WARNING: Cancer and Reproductive Harm — www.P65Warnings.ca.gov

**BASIC REBUILD KIT**

A gasket and seal kit for low mileage Super E & G carbs. Perfect to reassemble carbs taken apart for inspection and cleaning.

**BASIC REBUILD KIT±**

Description	Part #	MSRP
Super E & G	110-0067	\$38.95



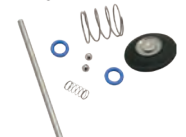
± WARNING: Cancer and Reproductive Harm — www.P65

**ACCELERATOR PUMP REBUILD KITS**

Accelerator pump rebuild kits contain diaphragm, diaphragm spring, check balls, check ball spring, pump pushrod, and required hardware and o-rings.

**ACCELERATOR PUMP REBUILD KIT**

Description	Part #	MSRP
Super E & G	11-2918	\$21.95



# COMPRESSION RELEASES

## FITMENT

- S&S cylinder heads with compression release machining

## OPTIONS

- **MANUAL RELEASE:**  
Activated by a cable similar to a choke control, this slick system can be used with any style rocker cover.
- **ELECTRIC RELEASE:**  
Solenoid operated, this system automatically opens and closes when the starter button is pressed and released. Convenient and simple, this is the best setup for big displacement high compression bikes. Requires S&S die cast rocker covers.


## COMPRESSION RELEASE KITS

Description	Part #	MSRP
Electric	<b>90-4915</b>	\$377.95

## TOOLS AND ACCESSORIES

Description	Part #	MSRP
S&S Two-Piece Socket Kit: <i>Allows in-frame installation of S&amp;S compression releases and protects wiring from damage during installation.</i>	<b>53-0045</b>	\$136.95
S&S Compression Release Hole Plug	<b>90-4916</b>	\$16.95

## REPLACEMENT PARTS

Description	Part #	MSRP
Silicone Solenoid Caps	<b>55-1009</b>	\$4.95
Wiring Harness  <sub>2,3</sub>	<b>55-1010</b>	\$116.95
Electric Compression Release Assembly	<b>90-4914</b>	\$157.95



90-4915



55-1009



53-0045



90-4916

## NOTES

S&S rocker covers must be used with electric compression releases due to clearance requirements for the solenoids.

Rocker covers must be removed when installing S&S® compression releases. If lack of frame clearance prevents removal of rocker covers, engine must be removed from frame for compression release installation.


In most cases, S&S compression releases can be installed while the engine is in the frame with the special S&S two-piece socket kit, part #53-0045.

If cylinder heads are machined for S&S compression releases, but compression releases are not used, special plug part #90-4916 (two required) must be installed to seal the machined hole.

Stock cylinder heads cannot be machined for S&S compression releases because there is not enough material in critical areas.

# HIGH OUTPUT COILS

## HIGH OUTPUT COILS

S&S High Output 3.0Ω Single Fire Coil	Part #	MSRP
<i>The perfect complement for S&amp;S IST ignition systems. This single fire coil is actually two separate coils in a single package. Coil impedance is 3Ω per coil.</i>	<b>55-1571</b>	\$161.95
S&S High Output 0.5Ω Single Fire Coil  <sub>4</sub>	<b>55-1576</b>	\$139.95
<i>High output 0.5Ω single fire coil for S&amp;S IST ignition.</i>		



55-1571



55-1576

# HI-4N PERFORMANCE IGNITION

## FITMENT

- 1984–1999 big twins

## FEATURES AND BENEFITS

- One piece machined aluminum housing reduces vibration and improves heat dissipation and reliability
- Improved kick start algorithm designed to start as easily as points
- BCD switches with solid detent and legible marking allow easy and repeatable adjustments of mode, advance rate, and rev limit
- Single-fire and dual-fire function built into a single module
- Flexible wiring harness makes installation easier
- Initial timing marks allow precise adjustment and reinstallation
- Sensor covers integrated into housing to provide protection during installation



550-0502

## HI-4N PERFORMANCE IGNITION

Fitment	Part #	MSRP
Ignition only	<b>550-0501</b>	\$333.95
Kit Includes S&S® HI-4N Ignition, Single-Fire Coil, and 8.8mm double silicone, premium quality spark plug wires	<b>550-0502</b>	\$460.95

DISCLAIMER: NOT LEGAL FOR SALE OR USE IN CALIFORNIA ON ANY POLLUTION CONTROLLED MOTOR VEHICLE. Not legal for sale or use on any EPA pollution controlled motor vehicle.

# SUPER STOCK™ IGNITIONS

## FITMENT

- V-Series engines
- V80, V92, V96, V100, V107, V111, V113, V117, V124, V145

## FEATURES & BENEFITS

- New updated modules can be set to kick-start or electric-start mode by an S&S dealer using the Super Stock diagnostic cable and software
- Electric-start mode allows the pre-ignition cranking to be set anywhere from 1 to 4 engine revolutions (only available with current modules – earlier modules cannot be updated)

- Pre-programmed ignitions are custom tailored for a specific S&S engine – no need for adjustments
- Single fire operation – requires a single fire coil for single spark plug applications
- Dual plugged applications require a pair of two tower coils or a single four tower coil
- Minimum 3.0Ω primary resistance
- Overload and short circuit protected
- VOES switches to less aggressive curve under load or hard acceleration
- 6300 rpm rev-limiter
- 24-hour break-in rev-limiter – prevents damage during break-in
- Data logging diagnostic capabilities



## SUPER STOCK® IGNITION MODULE AND KITS

Engine	Kit	MSRP	Module	MSRP
V80	<b>550-0140</b>	\$314.95	<b>550-0139</b>	\$220.95
V96	<b>55-1354</b>	\$314.95	<b>55-1344</b>	\$220.95
V100, V107, V113	<b>55-1355</b>	\$314.95	<b>55-1345</b>	\$220.95
V111, V117, V124	<b>55-1356</b>	\$314.95	<b>55-1346</b>	\$220.95

DISCLAIMER: NOT LEGAL FOR SALE OR USE IN CALIFORNIA ON ANY POLLUTION CONTROLLED MOTOR VEHICLE. Not legal for sale or use on any EPA pollution controlled motor vehicle.

NOTE – Only modules and kits with the above Part #s have the updated features.

## SUPER STOCK® IGNITION KIT REPLACEMENT PARTS

Description	Part #	MSRP
Pick-up Cup and Mounting Screw	<b>55-1247±</b>	\$15.95
Connector Kit	<b>55-1249</b> USA	\$9.95
VOES Switch with Hardware	<b>55-1248</b> USA	\$83.95
VOES Hose, 9"	<b>19-0395</b> USA	\$3.95
VOES Manifold Fitting	<b>16-0136-S</b>	\$3.95
VOES Hose Tee	<b>50-8124-S</b>	\$3.95
<b>Optional Parts</b>		
S&S Single Fire Coil (3.0Ω)	<b>55-1571</b>	\$161.95

± WARNING: Cancer and Reproductive Harm – www.P65Warnings.ca.gov

## NOTES

S&S Super Stock ignition systems are available in complete ignition kits and as replacement modules. S&S single fire ignition coils are available separately.

Keep in mind that the curves are preset for a specific S&S engine, and that modules intended for one engine may not yield optimum results when used on another configuration.

# INNER PRIMARY BEARING RACE

## FITMENT

- All 1991–'06 big twins (except '06 Dyna®)



## FEATURES AND BENEFITS

- Will not "walk" on transmission mainshaft
- Prevents costly damage to mainshaft seal, output gear & output gear bearing
- Simple to install

## INNER PRIMARY BEARING RACE

Fitment	Part #	MSRP
All 1991–'06 big twins (except '06 Dyna®)	<b>56-5089</b>	\$61.95

**ANY JOB IS EASY WITH THE RIGHT TOOLS**  
S&S INNER BEARING RACE INSTALLER, SEE PAGE 518

# GATES® HIGH STRENGTH FINAL DRIVE BELTS

S&S final drive belts by Gates are available with 14mm pitch in 1½" and 1⅝" widths. See the chart below and match the width and number of teeth required for your vehicle. You can find this information in the vehicle service manual.



## SECONDARY DRIVE BELTS (14MM PITCH)

Teeth	1½" Wide	MSRP	1⅝" Wide	MSRP
125	<b>106-0357</b>	\$241.95	–	–
126	–	–	<b>106-0348</b>	\$241.95
127	–	–	<b>106-0349</b>	\$241.95
128	<b>106-0358</b>	\$241.95	<b>106-0350</b>	\$241.95
130	<b>106-0359</b>	\$241.95	<b>106-0351</b>	\$241.95
132	<b>106-0360</b>	\$241.95	<b>106-0352</b>	\$241.95
133	<b>106-0361</b>	\$241.95	<b>106-0353</b>	\$241.95
135	<b>106-0362</b>	\$241.95	<b>106-0354</b>	\$241.95
136	–	–	<b>106-0355</b>	\$241.95
139	<b>106-0363</b>	\$241.95	<b>106-0356</b>	\$241.95
149	<b>106-1338</b>	\$241.95	<b>106-2695</b>	\$280.95
156	–	–	<b>106-2827</b>	\$241.95

## ATTENTION CUSTOM BIKE MANUFACTURERS!

### SPECIAL ORDER BELTS FROM S&S® AND GATES®

Special belt sizes, private brand labeling, and assistance with belt drive design, are available to custom performance OEM's and aftermarket bike builders, through S&S. These products and services are available for licensed motorcycle manufacturers only, and a minimum order quantity may be required.

Drive belts with your company name imprinted on them are a perfect way to show off your brand. Any belt size currently available in the S&S catalog, as well as the special ordered sizes, can be specially branded. Minimum order quantities would apply.

Whether you're designing a completely new chassis, or simply need a replacement belt, S&S can help you find the belt you're looking for. Through the combined efforts of Gates and S&S, S&S can now provide customers with the technical assistance they need for designing new secondary belt drive systems. In addition, S&S can help you determine required tooth count for your existing chassis design, based on the pulley center-to-center distances and pulley tooth counts.

All belts have a 14mm tooth pitch, and are made of the super strong Gates Carbon X3N material. Belts are available in three standard widths of 1.125", 1.5" and 1.181" (30mm), but can be special ordered in nearly any width for a nominal charge. If you want a belt with a special tooth count, they are also available (see the special order chart for availability).

Contact your S&S Customer Support Representative for more information.

## BELTS AVAILABLE BY SPECIAL ORDER (14MM PITCH)

Tooth Count	1.181" (30mm) Width*	1.25" Width*
125	•	
126	•	•
127	•	•
128	•	
130	•	
131	•	•
132	•	
133	•	
135	•	
136	•	•
137	•	•
139	•	
140	•	•
149	•	
150	•	•
151	•	•
152	•	•
156	•	

\*Minimum order required: 1.181" (30mm) – 16 belts; 1.25" – 17 belts.



# GASKETS

## REBUILD GASKET KITS FOR S&S V-SERIES 1984-'99 ENGINES AND HOT SET UP KIT®

4 1/8"	<b>106-0964</b>	\$188.95
4"	<b>106-1020</b>	\$188.95
3 5/8"	<b>106-0992</b>	\$188.95
3 1/2"	<b>310-0928</b>	\$188.95

### TOP END GASKET KITS V-SERIES 1984-'99

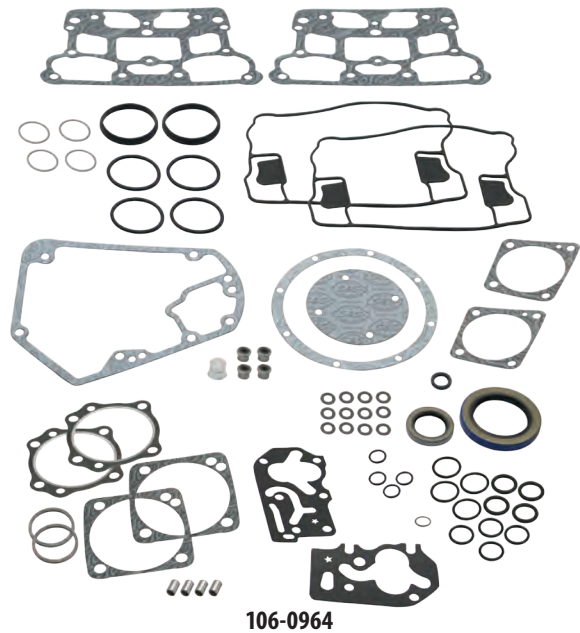
4 3/8"	<b>90-9511</b>	\$136.95
4 1/8"	<b>90-9506</b>	\$89.95
4"	<b>90-9503</b>	\$70.95
3 5/8"	<b>90-9502</b>	\$73.95
3 1/2"	<b>900-0974</b>	\$73.95

### CYLINDER HEAD GASKET KITS V-SERIES 1984-'99

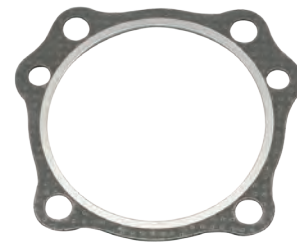
4 1/8"	.043" Micropore	<b>90-1910</b>	\$49.95
4"	.045" Micropore	<b>90-1909</b>	\$38.95
3 5/8"		<b>90-1906</b>	\$40.95
3 1/2"	.030" Layered Steel	<b>90-1905</b>	\$41.95
3 1/2"		<b>900-0532</b>	\$59.95

### HEAD GASKETS V-SERIES 1984-'99

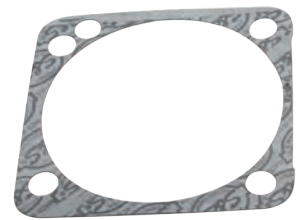
4 1/8"	.043" Micropore	each	<b>93-1047-S</b>	\$12.95
		2 pack	<b>930-0100</b>	\$23.95
		10 pack	<b>93-1073</b>	\$125.95
4"	.043" Micropore	each	<b>93-1040-S</b>	\$12.95
		2 pack	<b>930-0087</b>	\$20.95
		10 pack	<b>93-1071</b>	\$125.95
3 5/8"	.045" Micropore	each	<b>93-1037-S</b>	\$10.95
		2 pack	<b>930-0091</b>	\$20.95
		10 pack	<b>93-1052</b>	\$125.95
3 5/8"	.0625" Micropore	each	<b>93-1016-S</b>	\$15.95
		2 pack	<b>930-0097</b>	\$31.95
		10 pack	<b>93-1053</b>	\$157.95
3 1/2"	.045" Micropore 16770-84D, 16770-84F	each	<b>93-1011-S</b>	\$13.95
		2 pack	<b>930-0098</b>	\$20.95
		10 pack	<b>93-1024</b>	\$136.95
3 1/2"	.0625" Micropore 16770-84D, 16770-84F, 10773-85	each	<b>93-1313-S</b>	\$15.95
		10 pack	<b>93-1051</b>	\$157.95
3 1/2"	.030" Layered Steel	each	<b>900-0530</b>	\$24.95



106-0964



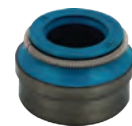
93-1047-S



93-1048-S



106-5029



900-0338

# 1984–1999 Big Twins

## BASE GASKETS AND O-RINGS V-SERIES 1984–'99

4 $\frac{3}{8}$ "	.018" Micropore	2 pack	<b>93-1082</b>	\$13.95
4 $\frac{1}{8}$ "	.018" Micropore	each	<b>93-1048-S</b>	\$6.95
		2 pack	<b>930-0099</b>	\$11.95
		10 pack	<b>93-1074</b>	\$53.95
4"	.018" Micropore	each	<b>93-1031-S</b>	\$5.95
		2 pack	<b>930-0094</b>	\$9.95
		10 pack	<b>93-1067</b>	\$42.95
3 $\frac{5}{8}$ "	.018" Micropore	each	<b>93-1033-S</b>	\$4.95
		2 pack	<b>930-0093</b>	\$8.95
		10 pack	<b>93-1064</b>	\$38.95
3 $\frac{1}{2}$ "	.018" Micropore	each	<b>93-1035-S</b>	\$8.95
		2 pack	<b>930-0092</b>	\$17.95

## EXHAUST GASKETS

1984–up Big Twins 65324-83B, 65324-83A	each	<b>106-5029</b>	\$4.95
	10 pack	<b>93-1072</b>	\$47.95

## VALVE GUIDE SEALS

1984–'02 Big Twin and 1986–'00 Sportster Models	each	<b>900-0338</b>	\$2.95
	8 pack	<b>90-2158</b>	\$17.95

## ROCKER BOX GASKET KITS AND INDIVIDUAL GASKETS

### S&S Billet Rocker Boxes

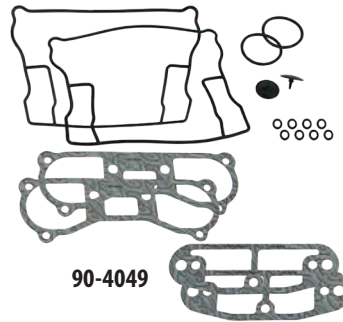
Gasket Kit	<b>90-4049</b>	\$73.95	
O-ring, (-223), 1.625" ID x 1.875" OD, Viton	<b>50-8044</b>	\$2.95	
Valve Cover Seal 26856-89, 26856-89A	<b>90-4030</b>	\$2.95	
Gasket, Rocker Cover, S&S® Billet, O-ring, 1984–'99	<b>90-4048</b>	\$15.95	
Gasket, Bottom, Rocker Cover, 1984–99 bt	each	<b>900-0538</b>	\$12.95
	2 pack	<b>900-0592</b>	\$26.95

### S&S Die Cast Rocker Boxes - S&S 4 $\frac{1}{8}$ " Bore Engines

Gasket Kit	<b>90-4111</b>	\$57.95	
O-ring, (-223), 1.625" ID x 1.875" OD, Viton	<b>50-8044</b>	\$2.95	
Gasket, Bottom, Rocker Cover, 4-1/8" 1984–up 16719-99B	each	<b>90-4071-S</b>	\$7.95
	2 pack	<b>90-4071</b>	\$14.95
	10 pack	<b>90-4099</b>	\$73.95
Gasket, Rocker Cover, S&S® Die Cast, O-ring, 1984–up	<b>90-4079</b>	\$13.95	

### S&S Die Cast Rocker Boxes - 3 $\frac{1}{2}$ ", 3 $\frac{3}{8}$ " and 4" Bore Engines

Gasket Kit	<b>90-4091</b>	\$67.95	
O-ring, (-223), 1.625" ID x 1.875" OD, Viton	<b>50-8044</b>	\$2.95	
Gasket, Bottom, Rocker Cover, 1984–99 bt	each	<b>900-0538</b>	\$12.95
	2 pack	<b>900-0592</b>	\$26.95
Gasket, Rocker Cover, S&S® Die Cast, O-ring, 1984–up	<b>90-4079</b>	\$13.95	



## Stock Rocker Boxes

Gasket Kit, Rubber, 1984–'91 17038-90	<b>90-4046</b>	\$83.95
Gasket Kit, Rubber, 1992–'99	<b>90-4047</b>	\$62.95
Gasket, Top, Rocker Cover, Rubber, 1992–'99 bt 17356-92	<b>90-4045</b>	\$5.95
Gasket, Middle Outer, Rocker Cover, Rubber, 1992–'99 bt 17355-92	<b>90-4044</b>	\$5.95

## LOWER END GASKETS AND SEALS

Gear Cover Gasket For 1970–'99 25225-93A, 25225-93B, 25225-70C, 25257-80	each	<b>31-2107</b>	\$4.95
	10 pack	<b>106-0232</b>	\$35.95
Camshaft Oil Seals, 1970–'99 83162-51	each	<b>31-4022</b>	\$4.95
Set (includes Front & Rear) 18633-48	each	<b>33-5302</b>	\$5.95
	10 pack	<b>33-5313</b>	\$49.95
Tappet Cover Gasket Front 18634-48C	each	<b>33-5302F</b>	\$4.95
	10 pack	<b>33-5313F</b>	\$20.95
Rear 18633-48B, 18633-48D	each	<b>33-5302R</b>	\$4.95
	10 pack	<b>33-5313R</b>	\$24.95

## PUSHROD O-RINGS

O-ring, Kit, Pushrod Cover, 1984–'99 bt, 1986–2003 xl	<b>93-4022</b>	\$7.95	
Top O-ring 11293, 11157, 11101, 11190	<b>50-8039</b>	\$2.95	
Middle O-ring 11132A	<b>50-8038</b>	\$2.95	
Bottom O-ring 11145A	<b>50-8037</b>	\$2.95	
Oil Jet O-ring - S&S 4 $\frac{1}{8}$ " Bore Engines	each	<b>50-8270</b>	\$2.95
	5 pack	<b>50-8275</b>	\$3.95

## SPROCKET SHAFT SEAL

1970–up bt 12026B	each	<b>31-4010</b>	\$8.95
	5 pack	<b>31-4110</b>	\$41.95

## OIL PUMP GASKETS

### S&S Standard Cast and Billet Oil Pumps

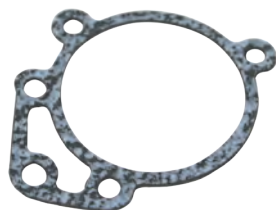
1936–'91 Standard	<b>31-6271</b>	\$12.95
1992–'99 Standard	<b>31-6273</b>	\$12.95

See PAGE 384 for Standard Oil Pump Master Rebuild Kits

## CONTINUED GASKETS



106-6022



106-1724

### S&S High Volume High Pressure (HVHP) Oil Pumps

1984–'91 Big Twin HVHP 31-6306	<b>31-6308</b>	\$9.95
1992–'99 Big Twin HVHP	<b>31-6299</b>	\$10.95

See PAGE 385 for High Volume High Pressure Oil Pump Master Rebuild Kits

### Oil Pump Drive Shaft Seal

S&S Standard Cast and Billet Oil Pumps 26227-58	<b>31-6005</b>	\$4.95
S&S High Volume High Pressure (HVHP) Oil Pumps	<b>31-6064-S</b>	\$4.95

## FUEL SYSTEM GASKETS

### Manifold Seals

S&S Manifold O-ring	each	<b>16-0235</b>	\$6.95
	10 pack	<b>16-0243</b>	\$48.95
Stock Manifold O-ring 26995-86B, 26995-86A, 26992-99	each	<b>16-0236</b>	\$5.95
	10 pack	<b>16-0244</b>	\$42.95
Cap, Rubber, Manifold, Fitting		<b>50-8372</b>	\$2.95

## CLASSIC TEARDROP AIR CLEANER

Back Plate Gasket	each	<b>106-1724</b>	\$3.95
	10 pack	<b>106-2328</b>	\$26.95
Vent Seal Washers, Silicone Coated Steel	1/2" each	<b>50-7054</b>	\$2.95
	10 pack	<b>50-7059</b>	\$12.95

## STEALTH AIR CLEANER

Back Plate gasket			
Stock CV Carb & EFI Throttle Body, 1991–up xl/bt 29062-95B		<b>106-6022</b>	\$3.95
Super E/G	each	<b>106-1724</b>	\$3.95
	10 pack	<b>106-2328</b>	\$26.95
Muscle Air Cleaner (includes lanyards)		<b>170-0137</b>	\$24.95
Vent Seal Washers, Nitrile Rubber Coated, .520" x .880" x .024"	each	<b>50-7055</b>	\$2.95
	10 pack	<b>50-7057</b>	\$12.95

## TUNED INDUCTION

Back Plate gasket			
Gasket, Backplate - E/G/SBEFI	each	<b>106-1724</b>	\$3.95
	10 pack	<b>106-2328</b>	\$26.95
Gasket, S&S SBEFI 58mm		<b>106-4662</b>	\$5.95
Gasket, Stock Carb/Throttle Body 29062-95B		<b>106-6022</b>	\$3.95
Adaptor Plate Gasket		<b>17-1022</b>	\$5.95
Adaptor Plate Bracket O-ring	(each)	<b>50-0446</b>	\$3.95

## SINGLE BORE EFI THROTTLE BODY

Back Plate gasket			
52mm	each	<b>106-1724</b>	\$3.95
	10 pack	<b>106-2328</b>	\$26.95
58mm	each	<b>106-4662</b>	\$5.95
O-ring, Throttle Body to Manifold		<b>50-7967-S</b>	\$2.95
Air Temp Sensor Gasket		<b>16-5009-S</b>	\$4.95
IAC O-ring		<b>50-8149-S</b>	\$2.95
Fuel Injector O-ring, Top		<b>50-8264-S</b>	\$3.95
Fuel Injector O-ring, Bottom		<b>50-8265-S</b>	\$3.95
Fuel Rail Inlet O-ring 27237-95	each	<b>50-8137-S</b>	\$2.95

## TRANSMISSION GASKETS

O-ring, (-114), .625" ID x .812" OD, Vitron 11270	<b>50-8033</b>	\$2.95
O-ring, Quad Seal, (-031), 1.734" X 1.875", Nitrile 11165	<b>50-8045</b>	\$6.95
Seal, Transmission Output Shaft, 2.255" x 3.388" x .25012067B	<b>56-3033</b>	\$11.95

## PRIMARY GASKETS

Gasket, Primary Cover, 1990–'99 Softail® and Dyna®	<b>56-4049</b>	\$49.95
--	----------------	---------



170-0137

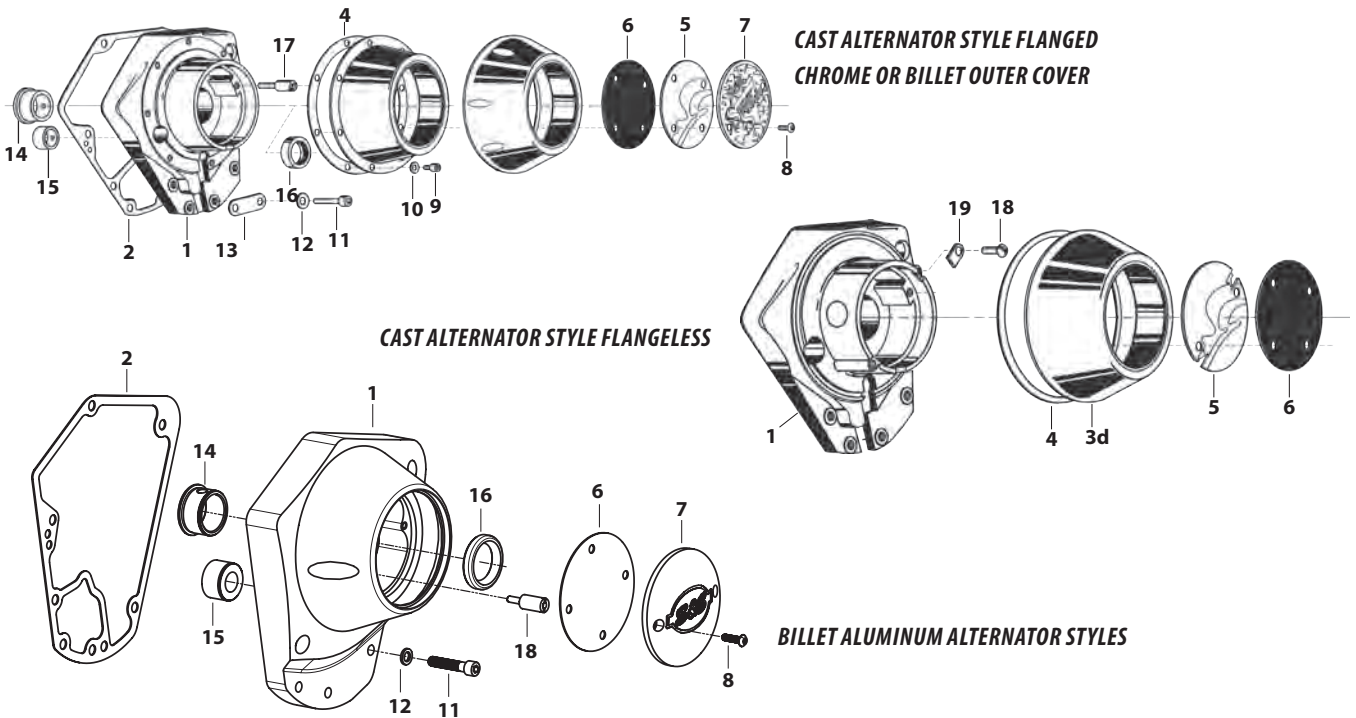
All reference to HD® Part #s is for identification purposes only. We in no way are implying that any of S&S® Cycle's products are original equipment parts or that they are equivalent to the corresponding HD Part # shown.

# GEARCOVER KIT REPLACEMENT PARTS

1. Gearcover assembly ..... N/A
2. Gasket, gearcover  
25225-93A, 25225-93B, 25225-70C, 25257-80  
each ..... **31-2107** \$4.95  
10 pack ..... **106-0232** \$35.95
3. Outer cover for cast gearcovers - 1984-'99 BT
  - a. Flanged type - steel, chrome ..... N/A
  - b. Flanged type - steel, black ..... N/A
  - c. Flanged type - billet ..... N/A
  - d. Flangeless type - chrome ..... **31-0238**± \$44.95
  - e. Flangeless type - black ..... N/A
4. Gasket, outer cover - 1984-'99 BT
  - Flanged type (each) ..... **31-0218** \$5.95
  - 5 pack ..... **31-0256** \$24.95
  - Flangeless type (each) ..... **31-0237** \$3.95
  - 5 pack ..... **31-0261** \$16.95
5. Ignition cover, inner - 1984-'99 BT  
Flangeless type ..... **31-0235** \$3.95
6. Gasket, ignition cover - 1984-'99 BT 32591-80, 32591-70  
each ..... **31-0225** \$1.95
7. Ignition cover, outer - 1984-'99 BT  
Die-cast (HD® #32524-83) ..... N/A  
Billet, Chrome with S&S Logo ..... **31-0332**± \$66.95
8. Screw, RSH - 8-32 x 1/2" (replaces stock rivets)  
Stainless Steel (each) ..... **50-0048** \$2.95  
Chrome (each) ..... **50-0266-S**± \$3.95
9. Screw, SH  
10-24 x 1/4" for steel cover (each) ..... N/A -  
10-24 x 3/8" - chrome for billet cover 4091 (each) ..... **50-0023**± \$2.95

10. Washer, flat .192" x 3/16" x .035"  
each ..... **50-7009** \$2.95
11. Screw, SH 1/4"-20 x 1 1/4" - 4740A, 3482A  
Zinc (each) ..... **50-0008** \$2.95  
Chrome (each) 4740A ..... **50-0257-S**± \$3.95
12. Washer, flat  
1/4" x .474" x .050" (each) ..... **50-7020** \$2.95  
1/4" Flat washer, chrome, billet covers  
each ..... **50-7017**± \$2.95  
12 pack ..... **50-7013**± \$7.95
13. Wire harness clip 38711-93 ..... **31-2029** \$0.95
14. Cam bushing, gearcover  
1984-'99 BT 25581-70 ..... **31-4019** \$11.95
15. Pinion shaft bushing, gearcover  
1984-'99 BT 25582-93, 25582-73 ..... **31-4031** \$11.95
16. Gearcover oil seal 1984-'99 BT  
(each) ..... **31-4022** \$4.95
17. Screw, timing mechanism 32606-82  
each ..... **31-0224** \$5.95  
2 pack ..... **31-0224P** \$9.95
18. Screw, standard panhead 8-32 x 3/8"  
each ..... **50-0004** \$2.95
19. Clip, outer cover (each) ..... **31-0233** \$4.95

N/A = No longer available



All reference to HD® Part #s is for identification purposes only. We in no way are implying that any of S&S® Cycle's products are original equipment parts or that they are equivalent to the corresponding HD Part # shown.

± WARNING: Cancer and Reproductive Harm - www.P65Warnings.ca.gov

# VALVE SPRING REPLACEMENT PARTS

## .650" Lift Sidewinder® Valve Springs

(Stock, Super Stock® and Performance Replacement Cylinder Heads)

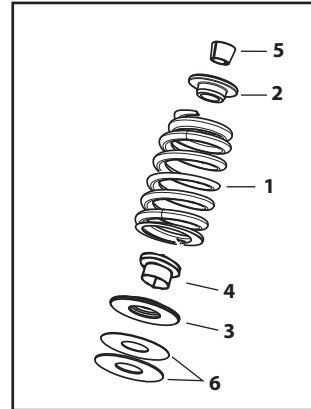
- 1. Spring, Valve .650" ..... **106-5689** \$52.95
- 2. Collar, Top, Steel ..... **106-5690** \$13.95
- 3. Collar, Bottom, Steel (each) ..... **106-5691** \$9.95
- 4. Valve Seal
  - .420" Cast (each) ..... **900-0338** \$2.95
  - .562" Powder Metal (4 pack) ..... **900-0737** \$9.95
- 5. Valve Keeper 18229-83(each) ..... **90-2094-S** \$3.95
  - 8 pack ..... **50-7166** \$20.95
- 6. Valve Spring Shim
  - .015" (each) ..... **500-0013** \$2.95
  - .030" (each) ..... **500-0014** \$2.95

## .585" Lift Street Performance Valve Springs

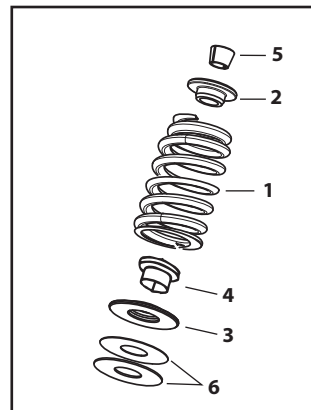
(Stock, Super Stock® and Performance Replacement Cylinder Heads)

- 1. Spring ..... **900-0444** \$28.95
- 2. Collar, top, steel (each) ..... **N/A**
- 3. Collar, bottom, steel ..... **N/A**
- 4. Valve Seal
  - .420" Cast (each) ..... **900-0338** \$2.95
  - .562" Powder Metal (4 pack) ..... **900-0737** \$9.95
- 5. Valve Keeper 18229-83 (each) ..... **90-2094-S** \$3.95
  - 8 pack ..... **50-7166** \$20.95
- 6. Valve spring shim
  - .015" (each) ..... **90-2086** \$2.95
  - 5 pack ..... **50-7161** \$5.95
  - .030" (each) ..... **90-2087** \$2.95
  - 5 pack ..... **90-2198** \$7.95

**.650" Lift Sidewinder® Valve Springs**

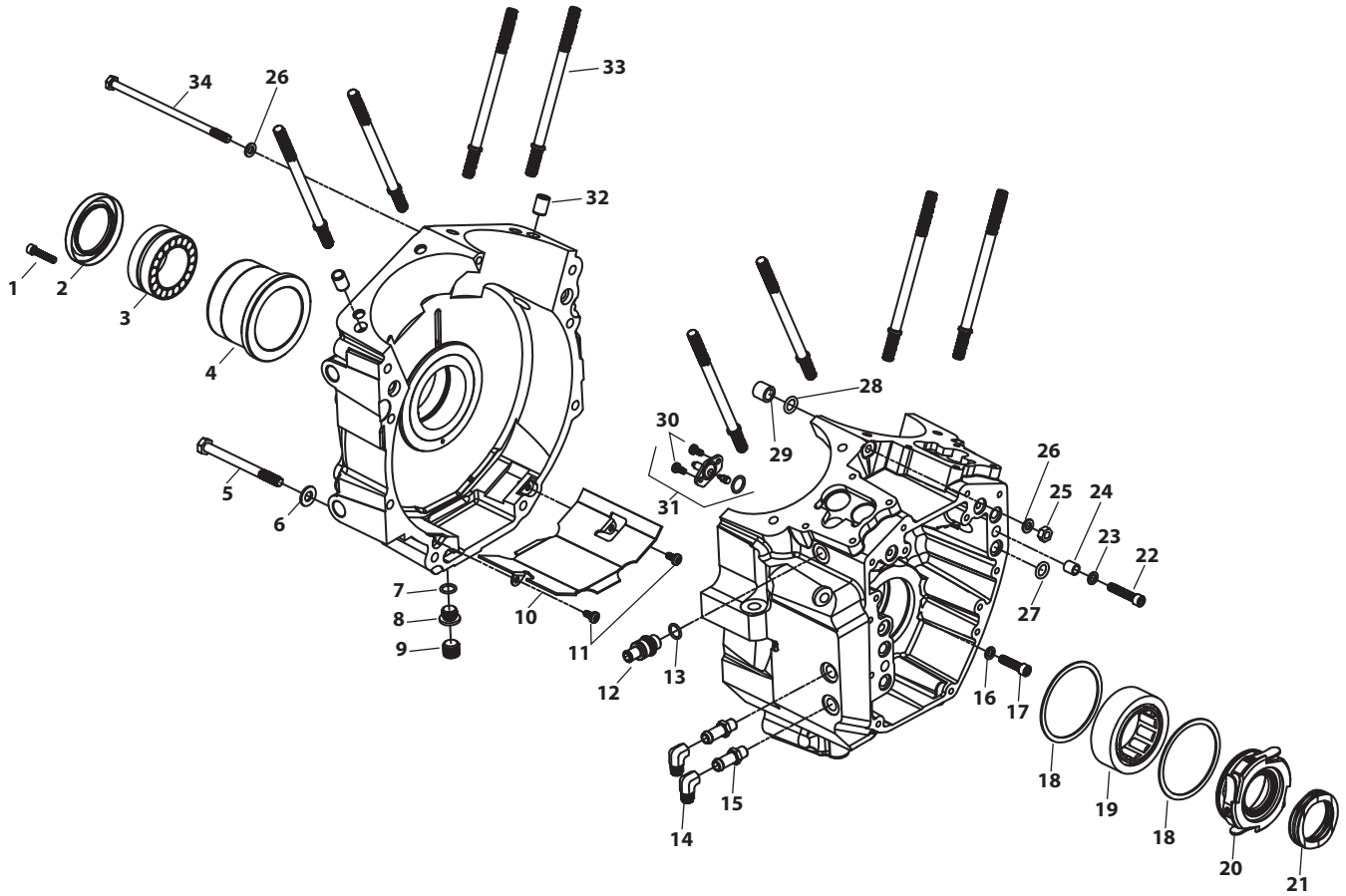


**.585" Lift Street Performance Valve Springs**



## 2 CAM V-SERIES CRANKCASE REPLACEMENT PARTS FOR 1984–'99 BIG TWIN ENGINES

1. Screw, SHCS, 10–24 x 1", Alloy Steel 2720 . . . . .	<b>50-0044</b>	\$2.95	20. Valve, Assembly, Breather Reed, 2003–2010 bt . . . . .	<b>310-0742</b>	\$126.95
2. Seal, Left, Main Bearing, 1.750" x 2.507" x .3130", 1970-up bt 12026B . . . . .	<b>31-4010</b>	\$8.95	21. Wave Spring, 2"OD X 1.6"ID X .375" . . . . .	<b>50-8404</b>	\$8.95
3. Bearing, Assembly, Left, Main 9028 . . . . .	<b>31-4013</b>	\$75.95	22. Screw, SHCS, ¼–20 x 1¼", Zinc 4740A, 3482A . . . . .	<b>50-0008</b>	\$2.95
4. Insert, Left, Main Bearing . . . . .	<b>N/A</b>		23. Washer, Flat, .260" x .425" x .060", Chrome, Steel . . . . .	<b>50-7017±</b>	\$2.95
5. Screw, HHC, Gr8, ⅜–18 x 3½", Zinc, Steel 3427 . . . . .	<b>50-0117</b>	\$2.95	24. Pin, Dowel, .275" x .397", Steel (4 pack) . . . . .	<b>500-0219</b>	\$23.95
6. Washer, Flat, .344" x .688" x .065", Zinc, Steel 6320, 70907-07, 6016, 6702 . . . . .	<b>50-7034</b>	\$0.95	25. Nut, HH, ¼–28 UNC–2B x .226", Zinc, Steel 7683 . . . . .	<b>50-5011</b>	\$0.95
7. O-ring, (-013), .437" ID x .565" OD, Viton® 11105, 11273 . . . . .	<b>50-8008</b>	\$2.95	26. Washer, .261" x .474" x .050", Annealed, Stainless Steel . . . . .	<b>50-7020</b>	\$2.95
8. Plug, Drain, w/ O-ring, Magnetic, ½–20, Zinc, Steel . . . . .	<b>50-8335</b>	\$12.95	27. O-ring, (-110), .375" ID x .562" OD, Viton® 11301 each . . . . .	<b>50-8066-S</b>	\$0.95
9. Plug, Pipe, ¾ Taper, ¼–18 NPTF x .460", Zinc, Steel 765 . . . . .	<b>50-8330</b>	\$2.95	28. O-ring, (-015), .562" ID x .068" OD, Black, Viton® 26432-76A each . . . . .	<b>50-8034-S</b>	\$5.95
10. Plate, Baffle, Crankcase, 1999-up bt . . . . .	<b>31-0119-S</b>	\$13.95	2 pack . . . . .	<b>50-8034</b>	\$10.95
11. Screw, PH, 10–24 x ⅜", Zinc, Steel, ASTM-A307 . . . . .	<b>50-0050</b>	\$2.95	29. Pin, Dowel, .557" x .500", Black, Steel 16574-99A, 16573-83, 16573-83A . . . . .	<b>50-8023</b>	\$3.95
12. Fitting, Vent, ⅜", Plated, 1999–2006 bt . . . . .	<b>50-0454</b>	\$13.95	30. Screw, Torx Panhead, 8–32 x ⅜", Zinc, Steel 68042-99 . . . . .	<b>50-0054-S</b>	\$0.95
13. O-ring, (-013), .437" ID x .565" OD, Viton® 11105, 11273 . . . . .	<b>50-8008</b>	\$2.95	31. Jet, Kit, Piston Cooling, 4⅞" 1984–'99 bt, 1999-up bt, (2 pack) 22307-99 . . . . .	<b>31-2026</b>	\$57.95
14. Fitting, Pipe, 90°, Male/Female, ½–27 NPTF x .500", Zinc Plated, Steel 26338-68, 26561-84A, 26561-81A, 26338-68A . . . . .	<b>106-2682</b>	\$8.95	32. Pin, Dowel, .437" x .610", Steel 16595-99A . . . . .	<b>50-8177</b>	\$3.95
15. Fitting, Hose, Straight, ½–27 NPTF x .500", Zinc, Steel . . . . .	<b>50-8115</b>	\$4.95	33. Stud, Cylinder Base, ⅜–16 UNC x 6.070", Black, Steel . . . . .	<b>31-2325-S</b>	\$7.95
16. Washer, Flat, .260" x .425" x .060", Chrome, Steel . . . . .	<b>50-7017±</b>	\$2.95	34. Screw, HHC, Gr8, ¼–28 x 5½", Zinc, Steel . . . . .	<b>50-0090</b>	\$2.95
17. Screw, SHCS, ¼–20 x 1", Zinc, ASTM A574-92A 852 . . . . .	<b>50-0084</b>	\$2.95			
18. Retaining Ring, Internal, 2.731" x .031" x .158", Steel, SAE 1070-1090 35114-02 . . . . .	<b>50-8160-S</b>	\$2.95			
19. Bearing, Right, Main, S&S Crankcases 1999-'06 bt, 2000-up Bal bt, 2003-up NB bt 24604-00D . . . . .	<b>31-4085</b>	\$62.95			



# SUPER STOCK® CRANKCASE REPLACEMENT PARTS

## FOR BIG TWIN ENGINES OF LESS THAN 4" CYLINDER BORE

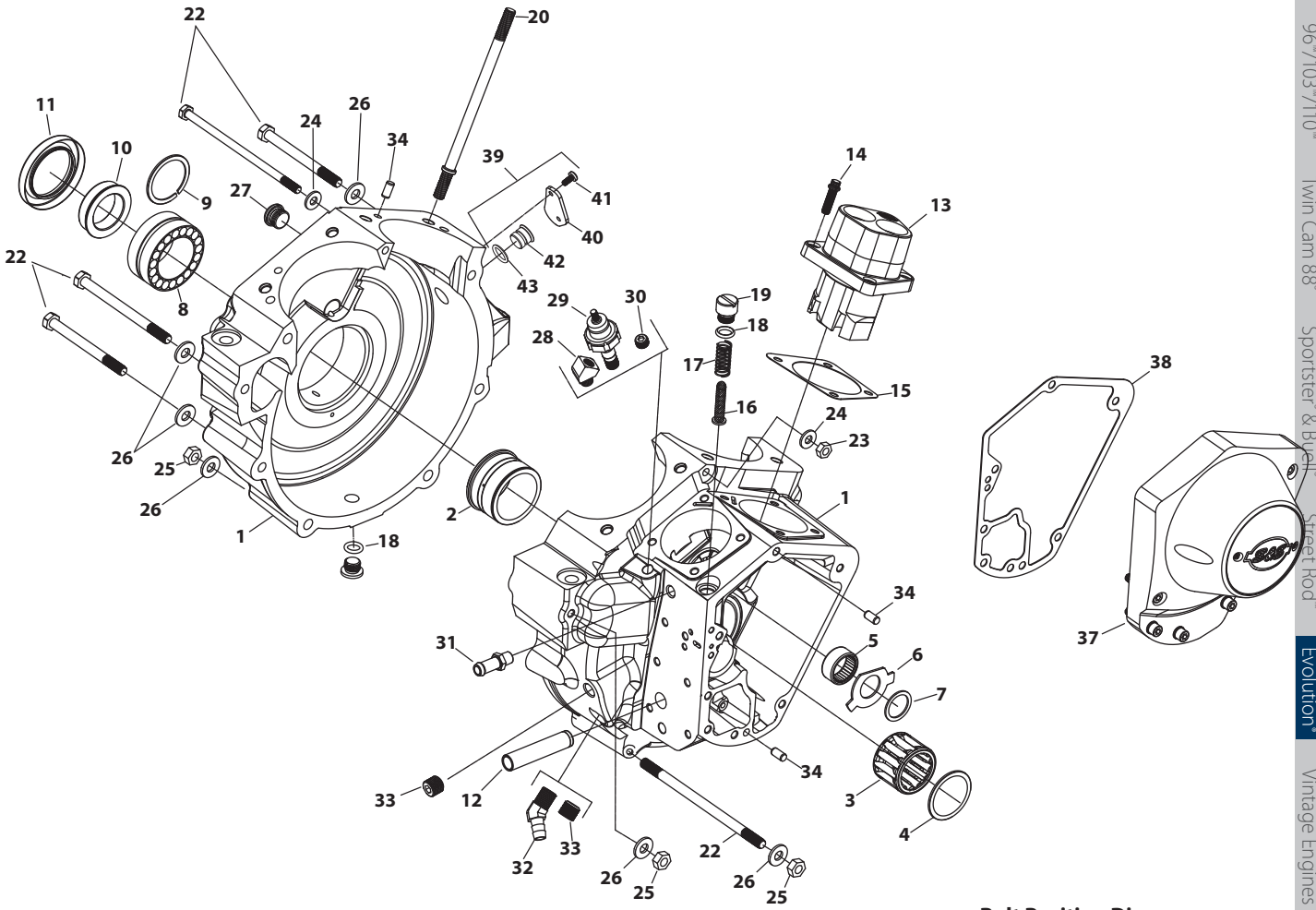
1. Crankcase assembly, half	N/A	
2. Race, right main bearing, All S&S BT		
Standard (24599-93, 24599-58A, 24599-58B)	<b>31-4004</b>	\$71.95
+ .005" O.S. (HD# 24601-58B)	<b>31-4007</b>	\$63.95
+ .030" O.S.	<b>31-4030</b>	\$61.95
3. Right main bearing assembly BT		
White 24626-87A	<b>31-4005</b>	\$39.95
Green 24628-87A	<b>31-4016</b>	\$39.95
Red 24641-87A	<b>31-4017</b>	\$39.95
Blue 24643-87A	<b>31-4018</b>	\$39.95
4. Retaining ring, main bearing BT		
11177A (each)	<b>50-8057</b>	\$1.95
5 pack	<b>50-1004</b>	\$9.95
5. Cam needle bearing assembly BT		
9058	<b>31-4009</b>	\$12.95
6. Washer, cam lock – BT		
25550-57A (each)	<b>33-5201</b>	\$9.95
5 pack	<b>33-5213</b>	\$41.95
7. Cam thrust washer – BT		
.050" 25550-36 (each)	<b>33-5200</b>	\$7.95
.055" 25551-36 (each)	<b>33-5202</b>	\$7.95
.060" 25552-36 (each)	<b>33-5203</b>	\$7.95
.065" 25553-36 (each)	<b>33-5204</b>	\$7.95
.070" 25554-36 (each)	<b>33-5205</b>	\$7.95
.075" (each)	<b>33-5206</b>	\$7.95
.080" (each)	<b>33-5207</b>	\$14.95
.090" (each)	<b>33-5209</b>	\$14.95
8. Left Timken® main bearing assembly 1984–'99		
S&S BT cases 9028	<b>31-4013</b>	\$75.95
9. Timken Main Bearing Spacers, 1984–'99 BT		
.0995" – .1005" 9124	<b>31-4071</b>	\$12.95
.1015" – .1025" 9125	<b>31-4072</b>	\$12.95
.1035" – .1045" 9126	<b>31-4073</b>	\$12.95
.1055" – .1065" 9127	<b>31-4074</b>	\$12.95
.1075" – .1085" 9128	<b>31-4075</b>	\$12.95
.1195" – .1205" 9134	<b>31-4076</b>	\$8.95
10. Spacer, drive sprocket, 1984–'99 S&S BT cases		
Standard 24002-70	<b>31-4011</b>	\$31.95
11. Seal, sprocket shaft oil 1936–'99 S&S BT cases		
12026B (each)	<b>31-4010</b>	\$8.95
5 pack	<b>31-4110</b>	\$41.95
12. Bushing, oil pump shaft – 24641-36	<b>31-4008</b>	\$31.95
13. Tappet guide – Shown for reverence only (not included)		
14. Screw, 12 pt. DHH 1/4" – 20 x 7/8" 3770		
Each	<b>50-0068</b>	\$2.95
5-pack	<b>50-0068P</b>	\$4.95
15. Gasket, tappet guide – 1948–'99 BT		
Front 18634-48C (each)	<b>33-5302F</b>	\$4.95
10 pack front	<b>33-5313F</b>	\$20.95
Rear 18633-48B, 18633-48D (each)	<b>33-5302R</b>	\$4.95
10 pack rear	<b>33-5313R</b>	\$24.95
Set (each front & rear)	<b>33-5302</b>	\$5.95
10 pack set	<b>33-5313</b>	\$49.95
16. Crankcase oil screen – 1948–'99 BT 24981-70, 24981-66		
(each)	<b>31-2010</b>	\$3.95
5 pack	<b>31-7008</b>	\$23.95
17. Crankcase oil screen spring – 1948–'99 BT		
24982-66, 24982-70 (each)	<b>31-2011-S</b>	\$2.95
18. O-ring, drain plug and cover screw		
11105, 11273 (each)	<b>50-8008</b>	\$2.95
10 pack	<b>50-8078</b>	\$9.95
19. Cover screw – 1948–'99 S&S BT 26263-80, 26362-36		
each	<b>31-6021</b>	\$5.95
5 pack	<b>31-7005</b>	\$21.95
20. Cylinder stud		
1984-up BT 16837-85C (each)	<b>31-2321-S</b>	\$5.95
8 pack	<b>31-2321</b>	\$37.95
21. Crankcase hardware Kits (N/S – include studs, screws, nut & washers)		
Zinc Plated	<b>106-4908</b>	\$80.95
Chrome	<b>106-4909±</b>	\$109.95
22. Crankcase studs and screws		
(Position 1, 2, 3, & 4) Alignment Stud,		
5/16" – 24 x 5 3/4" 24806-36, 3506	<b>31-2003</b>	\$15.95
(Position 5 & 6) Screw, HHCS, 5/16" – 18 x 3 1/2"	<b>50-0117</b>	\$2.95
(Position 7) Screw HHCS, 5/16" – 24 x 5"		
Zinc 3430	<b>50-0119</b>	\$2.95
Chrome (each)	<b>50-0253-S±</b>	\$6.95
(Position 8) Screw HHCS, 1/4" – 28 x 5 1/2" (each)		
Zinc	<b>50-0090</b>	\$2.95
Chrome (each)	<b>50-0252-S±</b>	\$6.95
23. Nut, Hex – 1/4" – 28 7683	<b>50-5011</b>	\$0.95
24. Washer, flat – 1/4" x 5/8" x 1/16" (each)		
Zinc (6194, 6245, 6703, 6736, 6228W, 6192)	<b>50-7021</b>	\$2.95
Chrome	<b>50-7104-S±</b>	\$2.95
25. Nut, hex – 5/16" – 24 (each)		
Zinc 7833, 7883	<b>50-5023</b>	\$0.95
26. Washer, flat – 5/16" x 1 1/16" x 1/16"		
6320, 70907-07, 6016, 6702	<b>50-7034</b>	\$0.95
27. Plug, timing hole 720	<b>31-2005</b>	\$5.95
28. Fitting, 45° 1/8" x 1/8" pipe male/female	<b>50-8112</b>	\$5.95
29. Oil pressure switch 26561-84		
(Includes: switch, nut, lock washer.)	<b>31-2016</b>	\$20.95
30. Plug, SH pipe – 1/8" – 27 (each)	<b>50-8331A</b>	\$2.95
10 pack	<b>50-1015</b>	\$10.95
31. Fitting, hose – 1/8" – 27 pipe male	<b>50-8115</b>	\$4.95
32. Fitting, 45° hose – 1/4" pipe male x 3/8" male hose	<b>50-8113</b>	\$10.95
33. Plug, SH pipe, 1/4" – 18, 1965–'69 S&S BT 765		
(each)	<b>50-8330</b>	\$2.95
34. Dowel pin, .250" diameter x 1/2" 358, 366		
(each)	<b>50-8022</b>	\$3.95
2 pack	<b>50-8022-2</b>	\$8.95
5 pack	<b>50-8105</b>	\$8.95
35. Screw, SHC – 10–24 x 1" (Stator) (N/S) 2720		
each	<b>50-0044</b>	\$2.95
36. Screw, SHS – 10–24 x 5/16" – (Stator plug clamp) (N/S)		
each	<b>50-0045</b>	\$2.95
37. Gearcover – Shown for reference only (not included)		
38. Gearcover gasket 1970-up S&S BT		
25225-93A, 25225-93B, 25225-70C, 25257-80	<b>31-2107</b>	\$4.95
39. crank position sensor hole plug kit	<b>106-2997</b>	\$20.95
40. Cover, crank position sensor hole	<b>31-2056-S</b>	\$2.95
41. Screw, Torx, 8–32 x 3/8"	<b>50-0054-S</b>	\$0.95
42. Crank posititon sensor hole plug	<b>106-1189</b>	\$10.95
43. O-ring (each)	<b>50-8270</b>	\$2.95
5 pack	<b>50-8275</b>	\$3.95

(N/S) = Not Shown

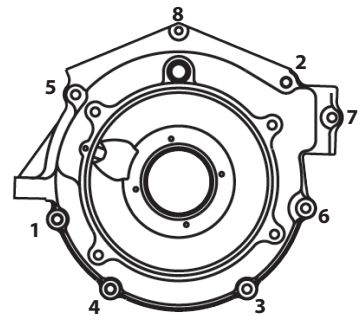
All reference to HD® Part #s is for identification purposes only. We in no way are implying that any of S&S® Cycle's products are original equipment parts or that they are equivalent to the corresponding HD Part # shown.

⚠ WARNING: Cancer and Reproductive Harm – www.P65Warnings.ca.gov

































**Bolt Position Diagram**



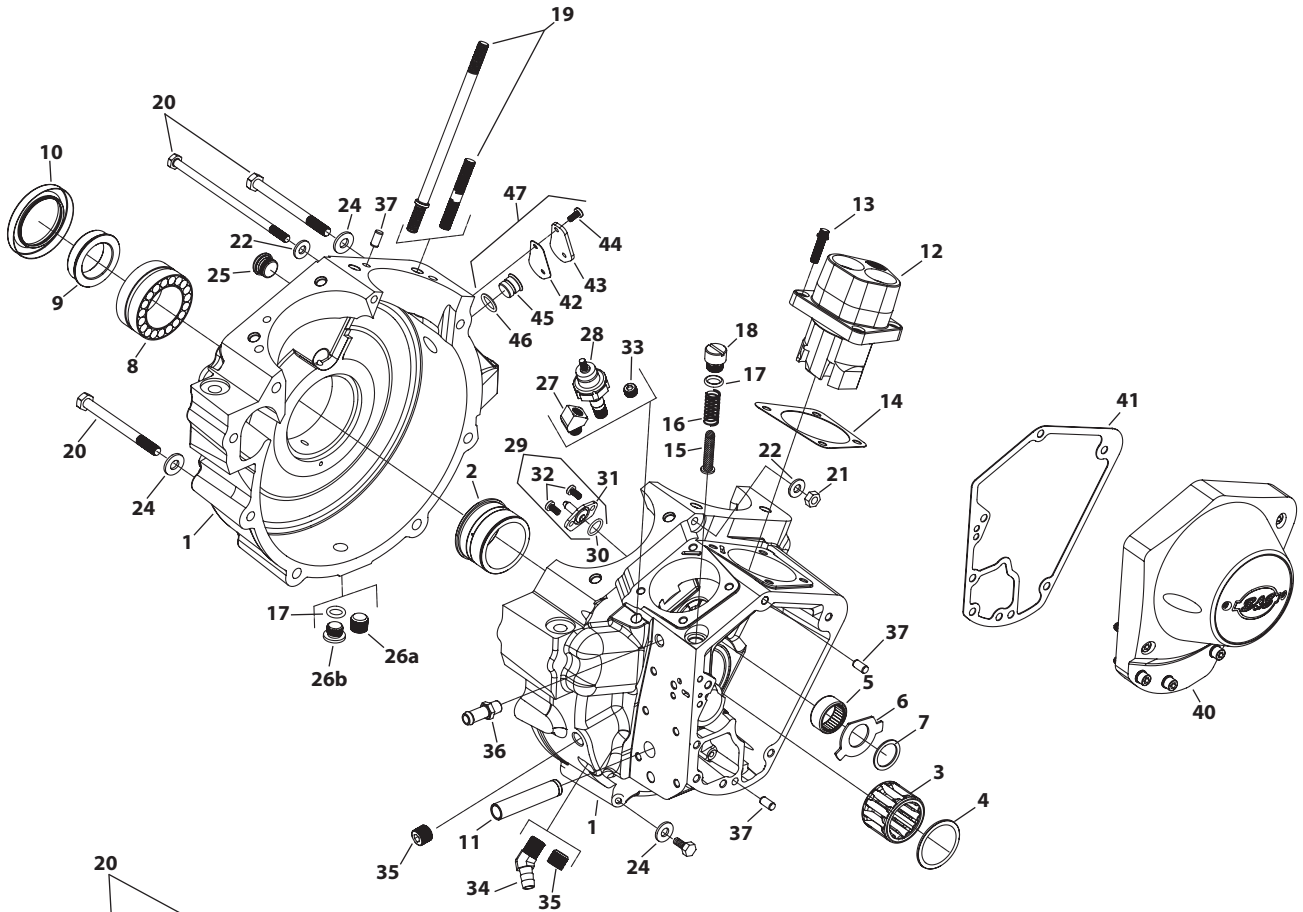
All reference to HD® Part #s is for identification purposes only. We in no way are implying that any of S&S® Cycle's products are original equipment parts or that they are equivalent to the corresponding HD Part # shown.

# SPECIAL APPLICATION CRANKCASE REPLACEMENT PARTS FOR BIG TWIN ENGINES WITH 4", 4-1/8" AND 4-3/8" CYLINDER BORE

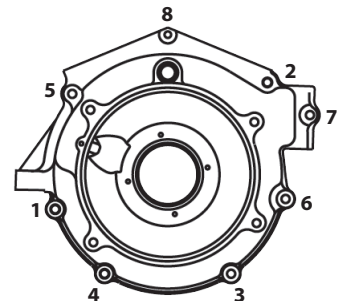
1. Crankcase assembly, half ..... **N/A**
2. Race, right main bearing, for 1936-'99 big twin  
Standard #24599-93, 24599-58A, 24599-58B)  
.....  **31-4004** \$71.95  
+ .005" O.S. 24601-58B) ..... **31-4007** \$63.95
3. Right main bearing assembly BT  
White 24626-87A ..... **31-4005** \$39.95  
Green 24628-87A ..... **31-4016** \$39.95  
Red 24641-87A ..... **31-4017** \$39.95  
Blue 24643-87A ..... **31-4018** \$39.95
4. Retaining ring, main bearing BT 11177A  
each ..... **50-8057** \$1.95  
5 pack ..... **50-1004** \$9.95
5. Cam needle bearing assembly BT9058  
.....   **31-4009** \$12.95
6. Washer, cam lock - 1984-'99 BT (HD# #25550-57A)  
each .....  **33-5201** \$9.95  
5 pack .....  **33-5213** \$41.95
7. Cam thrust washer - 1984-'99 BT  
.050" 25550-36 (each) .....  **33-5200** \$7.95  
.055" 25551-36 (each) .....  **33-5202** \$7.95  
.060" 25552-36 (each) .....  **33-5203** \$7.95  
.065" 25553-36 (each) .....  **33-5204** \$7.95  
.070" 25554-36 (each) .....  **33-5205** \$7.95  
.075" 25555-36 (each) .....  **33-5206** \$7.95  
.080" 25556-36 (each) .....  **33-5207** \$14.95  
.090" 25558-36 (each) .....  **33-5209** \$14.95
8. Left Timken® main bearing assembly  
1984-'99 S&S BT cases 9028 .....  **31-4013** \$75.95
9. Spacer, drive sprocket  
1984-'99 S&S BT cases 24002-70 .....  **31-4011** \$31.95
10. Seal, sprocket shaft oil 1936-'99 S&S BT cases  
12026B (each) .....  **31-4010** \$8.95  
5 pack .....  **31-4110** \$41.95
11. Bushing, oil pump shaft - All S&S BT cases  
Standard 24641-36 .....  **31-4008** \$31.95
12. Tappet guide assembly (See PAGE 351)
13. Screw, 12 pt. DHH 1/4" -20 x 7/8" 3770 ..... **50-0068** \$2.95  
4 pack ..... **50-0068P** \$4.95
14. Gasket, tappet guide - 1984-'99 BT  
Front 18634-48C (each) .....  **33-5302F** \$4.95  
10 pack front .....  **33-5313F** \$20.95  
Rear 18633-48B, 18633-48D (each) .....  **33-5302R** \$4.95  
10 pack rear .....  **33-5313R** \$24.95  
Set (each front & rear) 18633-48 .....  **33-5302** \$5.95  
10 pack set .....  **33-5313** \$49.95
15. Crankcase oil screen - 1984-'99 BT  
24981-70, 24981-66 (each) ..... **31-2010** \$3.95  
5 pack ..... **31-7008** \$23.95
16. Crankcase oil screen spring - 1984-'99 big twin  
24982-66, 24982-70 (each) ..... **31-2011-S** \$2.95
17. Cover screw o-ring - 1984-up S&S BT 11105, 11273  
each ..... **50-8008** \$2.95  
10 pack ..... **50-8078** \$9.95
18. Cover screw - 1984-'99 S&S BT 26263-80, 26362-36  
each ..... **31-6021** \$5.95  
5 pack ..... **31-7005** \$21.95
19. Cylinder stud  
1984-up BT with +.500" cases 16832-86C  
each .....  **31-2331-S** \$6.95  
8 pack .....  **31-2331** \$45.95
20. Crankcase Hardware

- Special Application Crankcases (For Engines With 4" Cylinder Bore or Greater)  
4" and 4 1/8" Bore Cases Manufactured Before 6-1-08  
(Positions 1 - 4)  
Alignment Stud, 5/16" -24 x 6 1/16" 24809-30 ..... **31-2034** \$17.95  
(Positions 5 & 6)  
Screw, HHCS, 5/16" -18 x 3 1/2" 3427 ..... **50-0117** \$2.95  
Screw, HHCS, 5/16" -18 x 3 1/2" chrome (each) ..... **50-0254-S±** \$5.95  
(Position 7)  
Screw HHCS, 5/16" -24 x 5"  
Zinc 3430 ..... **50-0119** \$2.95  
Chrome (each) ..... **50-0253-S±** \$6.95  
(Position 8)  
Screw HHCS, 1/4" -28 x 5 1/2" (each) ..... **50-0090** \$2.95  
Screw HHCS, 1/4" -28 x 5 1/2" Chrome (each) ..... **50-0252-S±** \$6.95  
4" and 4 1/8" Bore Cases Manufactured After 6-1-08  
(Positions 1-7)  
1936-'69 S&S BT cases & S&S BT SA cases  
Screw, HHCS, 5/16" -18 x 3 1/2" zinc 3427 ..... **50-0117** \$2.95  
Screw, HHCS, 5/16" -18 x 3 1/2", chrome (each) ..... **50-0254-S±** \$5.95  
(Position 8)  
Screw HHCS, 1/4" -28 x 5 1/2" zinc (each) ..... **50-0090** \$2.95  
Screw HHCS, 1/4" -28 x 5 1/2" Chrome (each) ..... **50-0252-S±** \$6.95  
4 3/8" Bore Cases Manufactured Before 6-1-08  
(Positions 1 - 4) Alignment Stud  
Alignment Stud, 5/16" -24 x 6 1/16" 24809-30 ..... **31-2034** \$17.95  
(Positions 5 & 6)  
Screw, HHCS, 5/16" -18 x 3 1/2" 3427 ..... **50-0117** \$2.95  
(Position 7)  
Screw HHCS, 5/16" -24 x 5"  
Zinc 3430 ..... **50-0119** \$2.95  
Chrome (each) ..... **50-0253-S±** \$6.95  
(Position 8) All S&S BT cases Special Application  
Screw, HHCS, 1/4" -28 x 6", zinc (each) ..... **50-0020** \$8.95  
4 3/8" Bore Cases Manufactured After 6-1-08  
(Positions 1-7) 1936-'69 S&S BT cases & S&S BT SA cases  
Screw, HHCS, 5/16" -18 x 3 1/2", zinc 3427 ..... **50-0117** \$2.95  
Screw, HHCS, 5/16" -18 x 3 1/2", chrome (each) ..... **50-0254-S±** \$5.95  
(Position 8) All S&S BT cases Special Application  
Screw, HHCS, 1/4" -28 x 6", zinc (each) ..... **50-0020** \$8.95  
**50-5011** \$0.95
- 21. Nut, Hex - 1/4"-28 7683 ..... **50-5011** \$0.95
- 22. Washer, .261" x .474" x .050"  
Zinc (each) ..... **50-7020** \$2.95  
Chrome (each) ..... **50-7105-S±** \$2.95
- 23. Nut, hex - 5/16"-24  
Zinc 7833, 7883 ..... **50-5023** \$0.95  
(for Special Application Cases Manufactured Before 6-1-08)
- 24. Washer, flat - 5/16" x 1 1/16" x 1/16" 6320, 70907-07, 6016, 6702 ..... **50-7034** \$0.95
- 25. Plug, timing hole 720 .....  **31-2005** \$5.95
- 26. Drain plug - Manufactured before 5-1-2000  
3/8"-18 NPT. .... **31-2006** \$5.95  
Manufactured after 5-1-2000  
1/2"-20 ..... **50-8335** \$12.95
- 27. Fitting, 1/8" x 1/8" pipe male/female ..... **50-8112** \$5.95
- 28. Oil pressure switch 26561-84  
(Includes: 1 each switch, nut, lock washer.) .....  **31-2016** \$20.95
- 29. Piston Oiler Jet Kit 22307-99 includes #30 (1), #31 (1), #32 (2)  
2 pack ..... **31-2026** \$57.95
- 30. O-ring, (-014), .500" ID x .625" OD  
each ..... **50-8270** \$2.95  
10 pack ..... **50-8130** \$5.95
- 31. Jet, Assembly, Piston Cooling 22371-99, 22307-99 (each) ..... **31-2025B** \$30.95

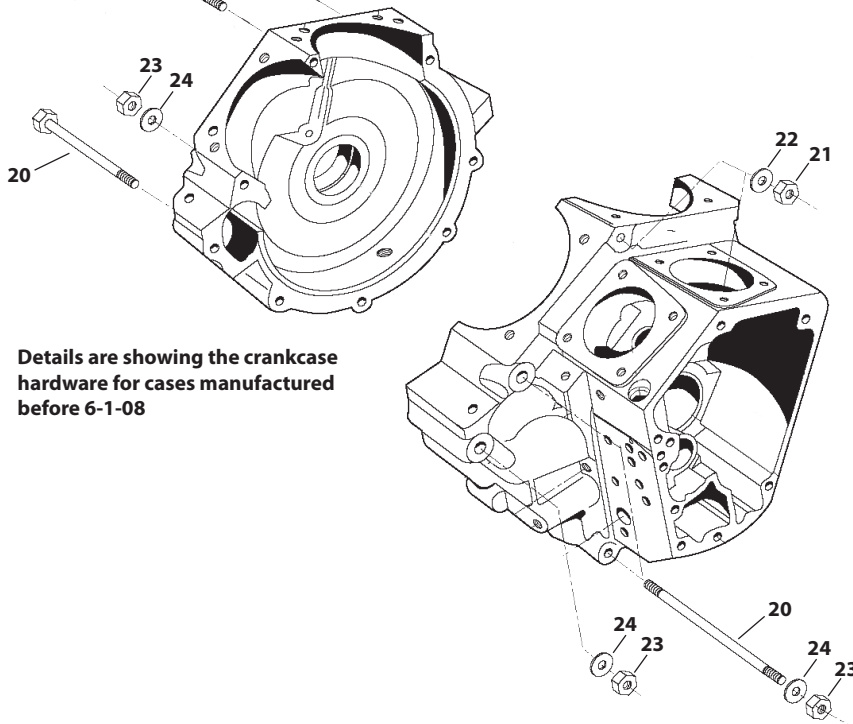
CONTINUED ON NEXT PAGE



**BOLT POSITION DIAGRAM**






Details are showing the crankcase hardware for cases manufactured before 6-1-08



All reference to HD® Part #s is for identification purposes only. We in no way are implying that any of S&S® Cycle's products are original equipment parts or that they are equivalent to the corresponding HD Part # shown.

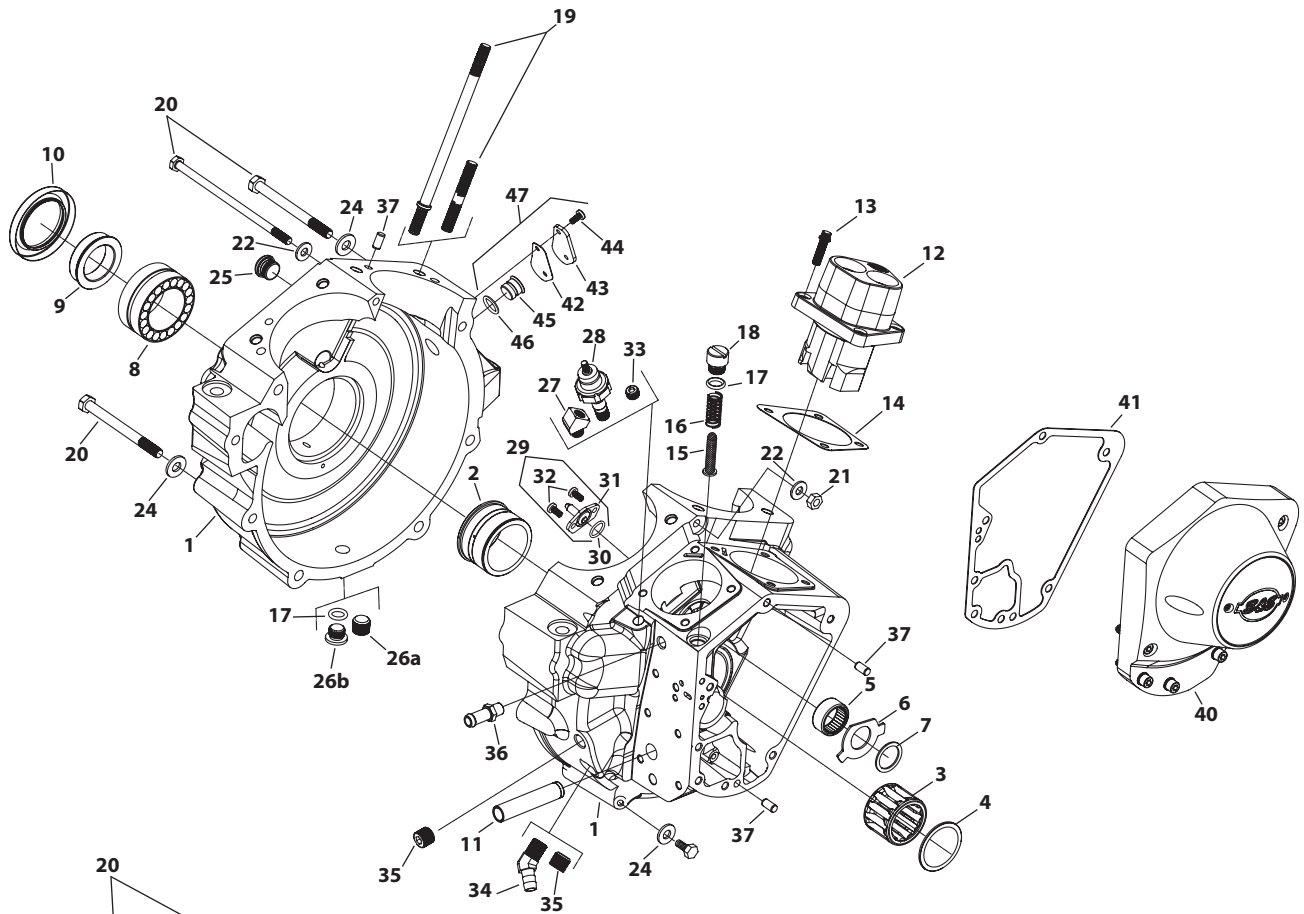
⚠️ WARNING: Cancer and Reproductive Harm – www.P65Warnings.ca.gov

## CONTINUED SPECIAL APPLICATION CRANKCASE REPLACEMENT PARTS FOR BIG TWIN ENGINES WITH 4", 4-1/8" AND 4-3/8" CYLINDER BORE

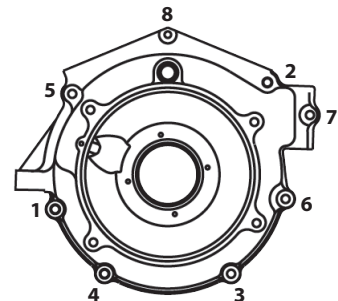
32. Screw, Torx Panhead, 8-32 x 3/8", Zinc, Steel 68042-99 each .....	<b>50-0054-S</b>	\$0.95
33. Plug, SH pipe - 1/8"-27 45830-48 (each) .....	<b>50-8331A</b>	\$2.95
10 pack .....	<b>50-1015</b>	\$10.95
34. Fitting, 45° hose - 1/4" pipe male x 3/8" male hose .....	 <b>50-8113</b>	\$10.95
35. Plug, SH pipe, 1/4"-18, 1965-'69 S&S BT 765 .....	 <b>50-8330</b>	\$2.95
36. Fitting, hose - 1/8"-27 pipe male .....	 <b>50-8115</b>	\$4.95
37. Dowel pin, .250" diameter x 1/2" (1970-up S&S BT) 358, 366 each .....	<b>50-8022</b>	\$3.95
2 pack .....	<b>50-8022-2</b>	\$8.95
5 pack .....	<b>50-8105</b>	\$8.95
38. Screw, SHC - 10-24 x 1" (Stator) (N/S) 2720 each .....	<b>50-0044</b>	\$2.95
39. Screw, SHS - 10-24 x 5/16" - (Stator plug clamp) (N/S) each .....	<b>50-0045</b>	\$2.95
40. Gearcover (See PAGE 343)		
41. Gearcover gasket 1970-up S&S BT 25225-93A, 25225-93B, 25225-70C, 25257-80 .....	<b>31-2107</b>	\$4.95
42. Gasket, crank position sensor hole (obsolete) .....	<b>N/A</b>	
43. Cover, crank position sensor hole .....	<b>31-2056-S</b>	\$2.95
44. Screw, Torx, 8-32 x 3/8" 68042-99 (each) .....	<b>50-0054-S</b>	\$0.95
45. crank position sensor hole plug .....	<b>106-1189</b>	\$10.95
46. O-ring (each) .....	<b>50-8270</b>	\$2.95
5 pack .....	<b>50-8275</b>	\$3.95
47. crank position sensor hole plug kit .....	<b>106-2997</b>	\$20.95

(N/S) = Not Shown

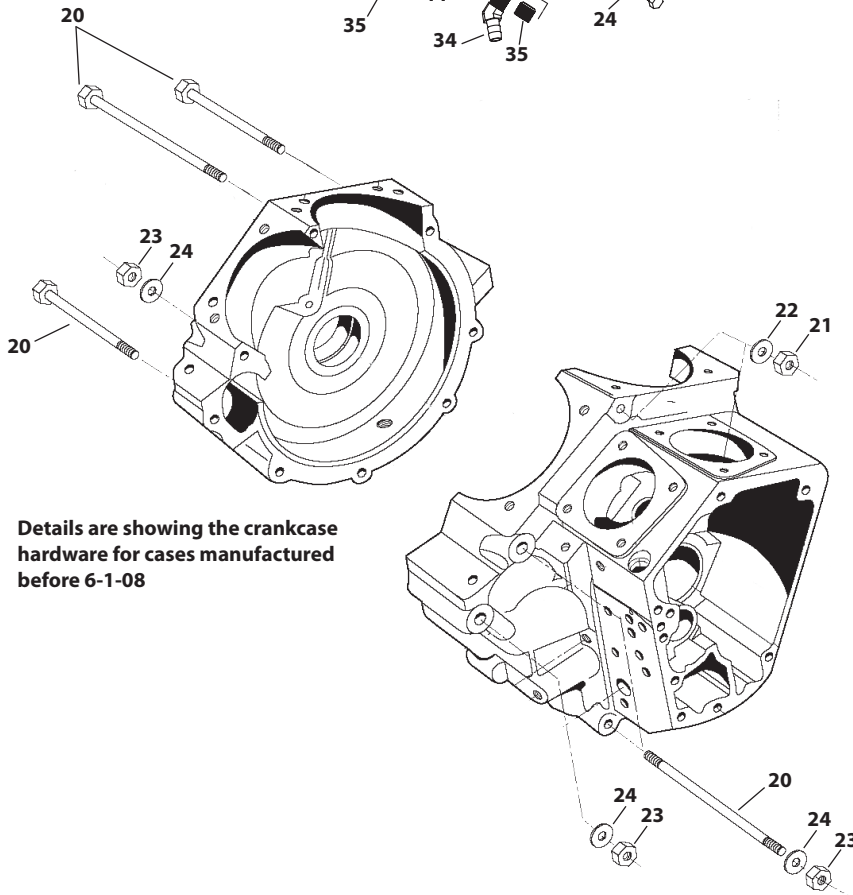
N/A = No longer available



**BOLT POSITION DIAGRAM**

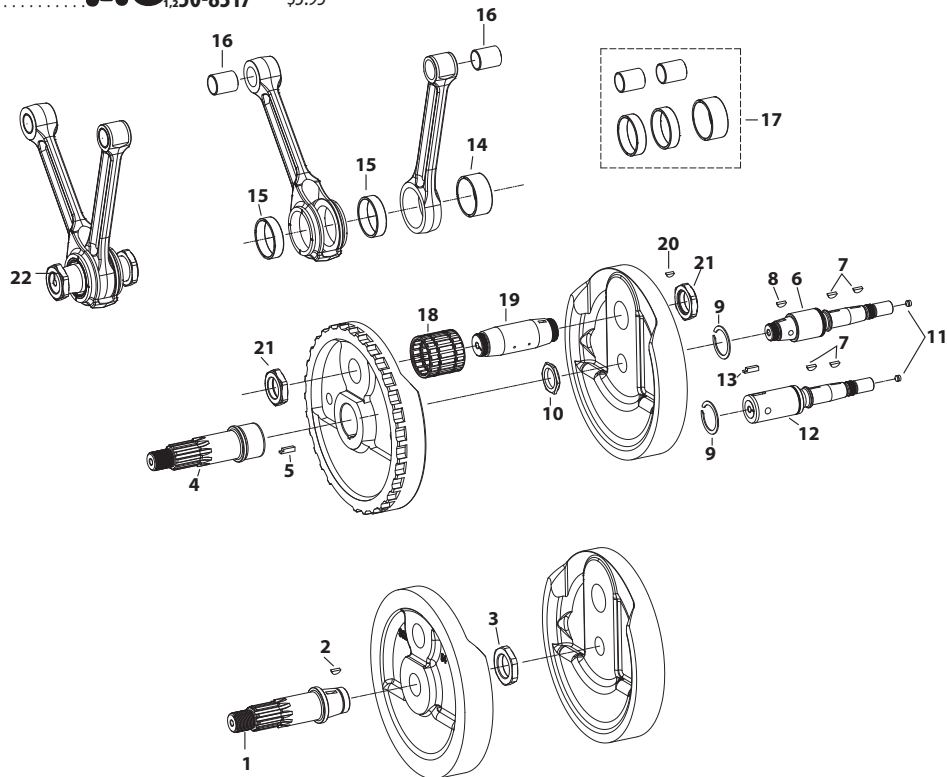


Details are showing the crankcase hardware for cases manufactured before 6-1-08



# FLYWHEEL REPLACEMENT PARTS FOR V96, V107 AND V113

- |   |                  |          |
|---|------------------|----------|
| 1. Sprocket Shaft, 1984–1999 w/ S&S SE/SL flywheels<br>(includes #2 & 3) .....  | <b>33-2004</b>   | \$129.95 |
| 2. Key (each) .....   | <b>50-8225-S</b> | \$2.95   |
| 3. Sprocket Shaft Nut .....   | <b>33-2033</b>   | \$15.95  |
| 4. Sprocket Shaft, 1984–'99 w/ S&S SGX/SF/SM flywheels<br>(includes #5) .....   | <b>33-2009</b>   | \$127.95 |
| 5. Key (each) .....   | <b>50-8227</b>   | \$3.95   |
| 6. Pinion Shaft (includes #7, 8, 9, 10, 11)<br>1984–1986 Stock Flywheels, L1981–99 S&S BL/SL/SM flywheels<br>Stock or S&S® Super Stock® Cases<br>Standard ..... | <b>33-2027</b>   | \$156.95 |
| + .001" .....   | <b>33-2028</b>   | \$206.95 |
| 1984–1999 S&S BL/SL/SM flywheels S&S SA cases +.250"<br>Standard .....  | <b>33-2040</b>   | \$150.95 |
| 7. Key, pinion & oil pump (each) .....  | <b>50-8221-S</b> | \$2.95   |
| 5 pack .....  | <b>50-1008</b>   | \$5.95   |
| 8. Pinion Shaft Key 11218 (each) .....  | <b>50-8222-S</b> | \$2.95   |
| 5 pack .....  | <b>50-1009</b>   | \$8.95   |
| 9. Bearing Retaining Ring 11177A (each) .....   | <b>50-8057</b>   | \$1.95   |
| 5 pack .....  | <b>50-1004</b>   | \$9.95   |
| 10. Pinion Shaft Nut .....  | <b>33-2034</b>   | \$12.95  |
| 11. Meter Plug<br>.0625" hole .....   | <b>50-8316±</b>  | \$5.95   |
| .0925" hole .....   | <b>50-8317±</b>  | \$3.95   |
| 12. Pinion Shaft (+.250" longer) (includes #7, 9, 13)<br>1984–1999 S&S SG flywheels/SA crankcases .....   | <b>N/A</b>       | -        |
| 13. Pinion Shaft Key .....  | <b>50-8234</b>   | \$14.95  |
| 14. Front Rod Bushing, 1941–1999 all S&S flywheels 24356-36A .....  | <b>34-4005</b>   | \$20.95  |
| 15. Rear Rod Bushing 24345-36A (each) .....   | <b>34-4006</b>   | \$16.95  |
| 16. Wristpin Bushing 24334-36 .....   | <b>34-4007</b>   | \$6.95   |
| 17. Race and Bushing Set (includes #14, 15, 16) .....   | <b>34-4040</b>   | \$63.95  |
| 18. Cage and Bearing Set (std.) 24346-87A, 24385-40B .....  | <b>34-4010</b>   | \$73.95  |
| 19. Crankpin (includes #20, 21), late 1981–1999 all S&S flywheels<br>Standard 23961-80A .....   | <b>34-2102</b>   | \$135.95 |
| .001" OS 23974-87 .....   | <b>34-2103</b>   | \$135.95 |
| .002" OS 23975-87 .....   | <b>34-2105</b>   | \$135.95 |
| .003" OS .....  | <b>34-2106</b>   | \$135.95 |
| 20. Crankpin Key, late 1981–1999 all S&S flywheels 11218<br>each .....  | <b>50-8222-S</b> | \$2.95   |
| 5 pack .....  | <b>50-1009</b>   | \$8.95   |
| 21. Crankpin Nut, late 1981–1999 all S&S flywheels<br>23967-54A, 23969-83, 23901-81, 23981-98 .....   | <b>34-2104</b>   | \$10.95  |
| 22. Connecting Rod Assembly, 1984–'99 all big twins<br>(includes #14, 15, 16, 18, 19, 20, 21)<br>Heavy Duty 24281-80, 24281-83 .....                            | <b>34-7013</b>   | \$472.95 |



## NOTES

S&S rods with their beefier than stock construction are slightly heavier than stock connecting rods. Therefore, rebalancing the flywheels is recommended when S&S rods are used in stock replacement applications. We realize that rebalancing is an inconvenience, but we did not want to sacrifice rod strength. In addition, given the variations in stock and aftermarket components available to engine builders, flywheel rebalancing is a desirable step in any major engine overhaul.

We recommend and sell only the pre-1990 big twin shaft. Since the S&S pinion shafts are of the earlier design, they will not accept the late style stock pinion gear, oil pump drive gear, gear spacer and pinion gear nut – to make it easier to install S&S flywheels.

1989–'99 big twin engines: S&S offers a conversion package consisting of earlier style pinion gear, spacer, nut, and oil pump drive gear to fit the S&S pinion shaft. S&S offers pinion and oil pump drive gears to fit the S&S pinion shaft for Harley-Davidson® Sportster® models.

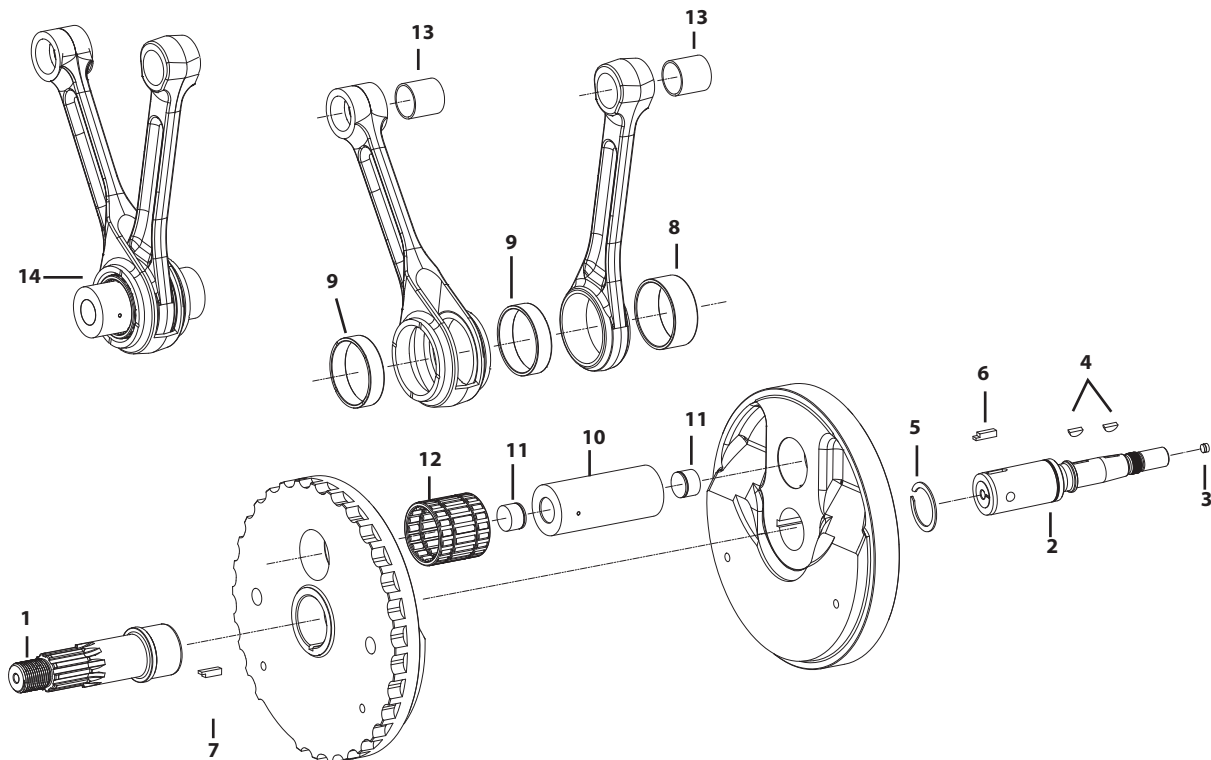
Crankpins must be measured prior to final honing of bearing races to ensure proper clearance. (Inquire about S&S flywheel rebuild program if adequate measurement equipment is not available.) Dimensions shown are nominal.

All reference to HD® Part #s is for identification purposes only. We in no way are implying that any of S&S® Cycle's products are original equipment parts or that they are equivalent to the corresponding HD Part # shown.

± ⚠️ WARNING: Cancer and Reproductive Harm — www.P65Warnings.ca.gov

# FLYWHEEL REPLACEMENT PARTS FOR V111, V117 AND V124

- |     |   |                     |          |
|-----|---|---------------------|----------|
| 1.  | Sprocket Shaft, 1984-'99 bt (includes key) .....  | <b>33-2009</b>      | \$127.95 |
| 2.  | Pinion Shaft (+.250" longer) (includes #7, 9, 13)<br>1984-1999 S&S SG flywheels/SA crankcases ..... | <b>33-2047</b>      | \$151.10 |
| 3.  | Meter Plug<br>.0625" hole .....   | <b>USA 50-8316±</b> | \$5.95   |
|     | .0925" hole .....   | <b>USA 50-8317±</b> | \$3.95   |
| 4.  | Key, pinion & oil pump 11218 .....  | <b>50-8221-S</b>    | \$2.95   |
|     | 5 pack .....  | <b>50-1008</b>      | \$5.95   |
| 5.  | Bearing Retaining Ring 11177A .....   | <b>50-8057</b>      | \$1.95   |
|     | 5 pack .....  | <b>50-1004</b>      | \$9.95   |
| 6.  | Pinion Shaft Key .....  | <b>50-8234</b>      | \$14.95  |
| 7.  | Key .....   | <b>50-8227</b>      | \$3.95   |
| 8.  | Front Rod Race .....  | <b>USA 34-4008</b>  | \$27.95  |
| 9.  | Rear Rod Race .....   | <b>USA 34-4013</b>  | \$25.95  |
| 10. | Crankpin (std.) .....   | <b>106-6239</b>     | \$135.95 |
| 11. | Crankpin Plug (each) .....  | <b>106-5256</b>     | \$4.95   |
|     | 2 pack .....  | <b>50-8329-2</b>    | \$8.95   |
| 12. | Race/Bearing Set .....  | <b>340-0028</b>     | \$157.95 |
| 13. | Wristpin Bushing,<br>1984-'99 bt, straight bushing .....  | <b>USA 34-4012</b>  | \$7.95   |
| 14. | Connecting Rod Set<br>1984-'99 bt, straight wristpin ends .....                                     | <b>N/A</b>          |          |



## NOTES

Due to different crankpin diameters, S&S® connecting rod assemblies cannot be used with stock Harley-Davidson® flywheels.

S&S flywheels for S&S V111, V117 AND V124 engines are pressed together as opposed to using the traditional tapered shafts and crankpin. Assembly and truing requires special equipment.

All reference to HD® Part #s is for identification purposes only. We in no way are implying that any of S&S® Cycle's products are original equipment parts or that they are equivalent to the corresponding HD Part # shown.

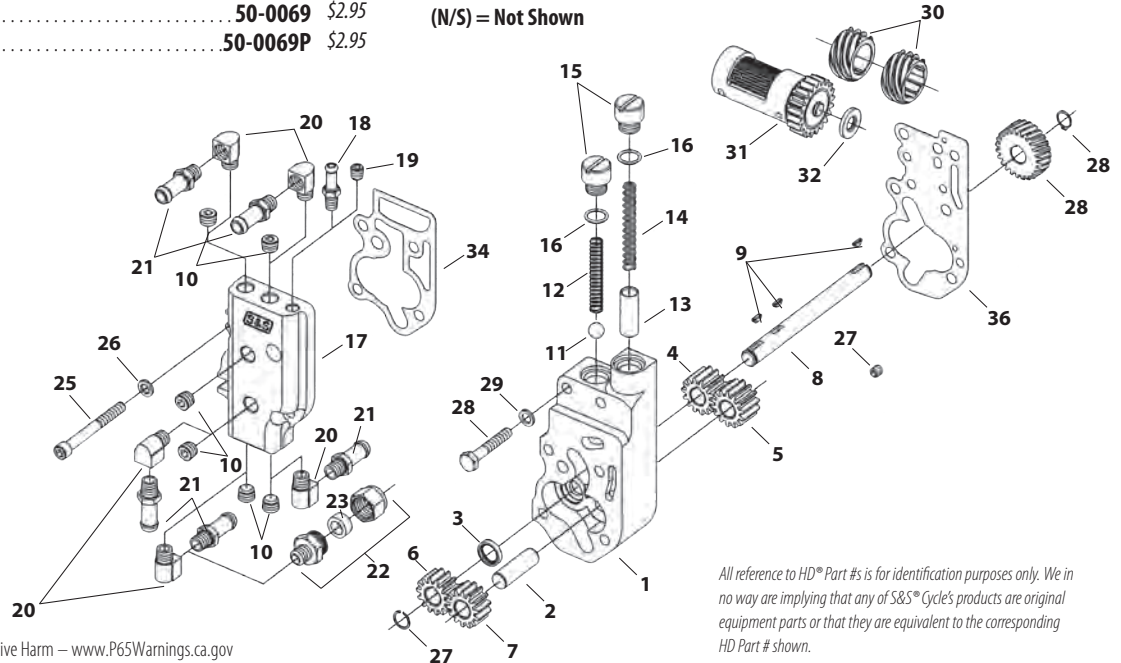
± WARNING: Cancer and Reproductive Harm – www.P65Warnings.ca.gov

# STANDARD OIL PUMP KIT REPLACEMENT PARTS

<b>1. Pump body assembly</b>			
Fits 1984-'91 31-6042.....	<b>31-6050</b>		\$160.95
Fits 1992-'99 31-6043.....	<b>31-6051</b>		\$160.95
<b>2. Shaft, idler 26327-68</b>			
	<b>USA 31-6004</b>		\$10.95
<b>3. Seal, drive shaft 26227-58</b>			
	<b>USA 31-6005</b>		\$4.95
<b>4. Gear, return drive 26315-68A</b>			
	<b>USA 31-6013</b>		\$20.95
<b>5. Gear, return idler 26317-68A</b>			
	<b>USA 31-6014</b>		\$20.95
<b>6. Gear, supply drive 26328-74, 26320-36</b>			
	<b>USA 31-6015</b>		\$31.95
<b>7. Gear, supply idler 26326-62A</b>			
	<b>USA 31-6016</b>		\$31.95
<b>8. Shaft, drive 26346-70</b>			
	<b>USA 1,2,3 31-6011</b>		\$17.95
<b>9. Key, drive shaft 26347-15 (each)</b>			
10 pack.....	<b>50-8220-S</b>		\$0.95
	<b>50-8229</b>		\$9.95
<b>10. Plug, 1/8"-27 45830-48 (each)</b>			
10 pack.....	<b>50-8331A</b>		\$2.95
	<b>50-1015</b>		\$10.95
<b>11. Check ball valve 8866, 8873</b>			
	<b>USA 1,2,3 50-8091</b>		\$0.95
<b>12. Spring, check valve 26363-36, 26363-56, 26262-80 (each)</b>			
10 pack.....	<b>31-6022</b>		\$2.95
	<b>31-6092</b>		\$13.95
<b>13. Relief valve 26400-82, 26400-82B</b>			
	<b>31-6082</b>		\$7.95
<b>14. Spring, relief valve 26207-83 (each)</b>			
10 pack.....	<b>31-6018</b>		\$2.95
	<b>31-6084</b>		\$13.95
<b>15. Screw, check valve &amp; relief valve cover 26263-80, 26362-36</b>			
each.....	<b>31-6021</b>		\$5.95
5 pack.....	<b>31-7005</b>		\$21.95
<b>16. O-ring 11105, 11273 (each)</b>			
10 pack.....	<b>50-8008</b>		\$2.95
	<b>50-8078</b>		\$9.95
<b>17. Pump cover assembly</b>			
<b>a. Pre-1992 (Top or bottom fittings; accepts pressure gauge)</b>			
31-6041.....	<b>31-6059</b>		\$89.95
<b>b. Pre-1992 (Custom bottom fittings only) 31-6045</b>			
	<b>31-6060</b>		\$84.95
<b>c. 1992-'99 (Universal)</b>			
	<b>31-6061</b>		\$94.95
<b>d. 1992-'99 (Bottom fittings or central supply fitting)</b>			
	<b>31-6062</b>		\$94.95
<b>18. Fitting, front chain hose</b>			
	<b>50-8116</b>		\$4.95
<b>19. Plug, pipe 1/6"-27 x 1/4" pipe</b>			
	<b>USA 50-8332</b>		\$0.95
<b>20. Elbow, supply/return</b>			
26338-68A, 26561-81A, 26561-84A, 26338-68.....	<b>106-2682</b>		\$8.95
5 pack.....	<b>50-1007</b>		\$44.95
<b>21. Fitting, supply/return hose</b>			
	<b>USA 1,2,3 50-8115</b>		\$4.95
<b>22. Return fitting, compression 63523-92, 63523-62</b>			
	<b>USA 1,2,3 50-8120</b>		\$17.95
<b>23. Seal, tubing, 3/8" x 1/2" O.D. x 1/4"</b>			
	<b>50-8271</b>		\$10.95
<b>24. Plug, 1/4"-20 (each)</b>			
2 pack.....	<b>50-0069P</b>		\$2.95

<b>25. Screws, mounting - 1984-'99</b>			
<b>a. 1/4"-24 x 1-1/2" (HHCS)</b> .....	<b>50-0082</b>		\$3.95
<b>b. 1/4"-24 x 2-1/4" (HHCS) 5430W</b> .....	<b>50-0088</b>		\$3.95
<b>c. 1/4"-20 x 1-1/2" (HHCS)</b> .....	<b>50-0080</b>		\$0.95
<b>d. 1/4"-20 x 2-1/4" (SHCS) 4717A</b> .....	<b>50-0078</b>		\$0.95
<b>e. 1/4"-20 x 1-1/2" (SHCS) 4718A</b> .....	<b>50-0079</b>		\$0.95
<b>26. Washer, 1/4" (each)</b>			
12 pack.....	<b>50-7017</b>		\$2.95
	<b>50-7013</b>		\$7.95
<b>27. Retaining ring 695-36, 26348-36 (each)</b>			
10 Pack.....	<b>50-8058</b>		\$2.95
	<b>50-8106</b>		\$13.95
<b>28. Retaining ring, external 11002 (each)</b>			
10 Pack.....	<b>50-8059</b>		\$0.95
	<b>50-8107</b>		\$5.95
<b>29. Gear, pump drive, 24T 26345-73</b>			
	<b>33-4230</b>		\$36.95
<b>30. Gear, pinion shaft pump drive - 1984-'89</b>			
26349-73, 26349-73A.....	<b>33-4232</b>		\$41.95
<b>31. Gear, steel breather valve</b>			
Standard 25310-82A, 25313-77B, 25311-90.....			
+ .030".....	<b>33-4241</b>		\$95.95
	<b>33-4242</b>		\$95.95
<b>32. Shim, steel breather kit - 8 pack (includes one of each thickness)</b>			
<b>a. +.100" thick</b> .....	<b>33-4200</b>		\$4.95
<b>b. +.110" thick 25320-79</b> .....	<b>33-4201</b>		\$4.95
<b>c. +.120" thick 25322-79</b> .....	<b>33-4202</b>		\$4.95
<b>d. +.130" thick 25325-79, 25320-82</b> .....	<b>33-4203</b>		\$4.95
<b>e. +.140" thick 25322-82, 25327-79</b> .....	<b>33-4204</b>		\$4.95
<b>f. +.150" thick 25325-82</b> .....	<b>33-4205</b>		\$4.95
<b>g. +.160" thick 25327-82</b> .....	<b>33-4206</b>		\$4.95
<b>h. +.170" thick</b> .....	<b>33-4207</b>		\$4.95
<b>33. Gasket rebuild kit (N/S) Includes key and retaining ring</b>			
<b>a. 1984-'91</b> .....	<b>31-6271</b>		\$12.95
<b>b. 1992-'99</b> .....	<b>31-6273</b>		\$12.95
<b>34. Master rebuild kit - (N/S)</b>			
Includes: gasket rebuild kit, seal, retaining ring, relief valve spring, check valve spring, check valve, ball, and cover screw o-rings			
<b>a. 1984-'91</b> .....	<b>31-6275</b>		\$24.95
<b>b. 1992-'99</b> .....	<b>31-6278</b>		\$24.95
<b>35. Drill jig, oil pump (N/S)</b>			
	<b>53-0013</b>		\$54.95
<b>Oil pump mounting hardware kit (N/S)</b>			
1984-91 (Includes # 25a, 25b, 25c, 25d, 26).....	<b>31-6288</b>		\$16.95
1992-99 (Includes # 25d, 25e, 26).....	<b>31-6290</b>		\$11.95
<b>Hardware Kit, Oilpump Cover (N/S)</b>			
1984-91 (Includes #10, 18, 19, 20, 21, 22).....	<b>31-6283±</b>		\$52.95
1992-99 (Includes #10, 20, 21, 22).....	<b>31-6286±</b>		\$48.95

(N/S) = Not Shown



All reference to HD® Part #s is for identification purposes only. We in no way are implying that any of S&S® Cycle's products are original equipment parts or that they are equivalent to the corresponding HD Part # shown.



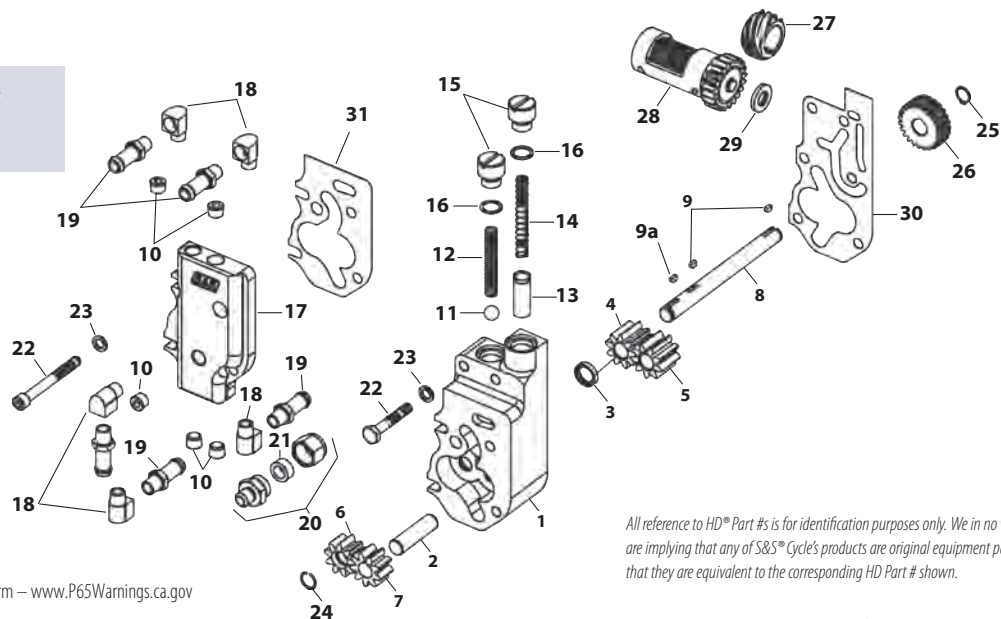
# HIGH VOLUME HIGH PRESSURE OIL PUMP REPLACEMENT PARTS

1. Pump body assembly  
Fits 1984-'91 ..... **31-6097** \$160.95  
Fits 1992-'99 ..... **31-6078** \$160.95
2. Shaft, idler ..... **31-6080-S** \$10.95
3. Seal, drive shaft (each) ..... **31-6064-S** \$4.95
4. Gear, return drive, HVHP ..... **31-6075** \$42.95
5. Gear, return idler, HVHP ..... **31-6083** \$41.95
6. Gear, supply drive, HVHP ..... **31-6074** \$42.95
7. Gear, supply idler, HVHP ..... **31-6081** \$32.95
8. Shaft, drive 26346-70 ..... **USA 1,2,3 31-6011** \$17.95
9. Key, drive shaft (each) ..... **50-8228-S** \$3.95
- 9a. Key, Woodruff, .094" x .313" x .311", Steel 26347-15  
each ..... **50-8220-S** \$0.95  
10 pack ..... **50-8229** \$9.95
10. Plug, 1/8"-27 45830-48 (each) ..... **50-8331A** \$2.95  
10 pack ..... **50-1015** \$10.95
11. Check ball valve (HD® #8866, 8873)  
..... **USA 1,2,3 50-8091** \$0.95
12. Spring, check valve 26363-36, 26363-56, 26262-80  
each ..... **31-6022** \$2.95  
10 pack ..... **31-6092** \$13.95
13. Relief valve 26400-82, 26400-82B ..... **31-6082** \$7.95
14. Spring, relief valve 26207-83 (each) ..... **31-6018** \$2.95  
10 pack ..... **31-6084** \$13.95
15. Screw, check valve & relief valve cover 26263-80, 26362-36  
each ..... **31-6021** \$5.95  
5 pack ..... **31-7005** \$21.95
16. O-ring 11105, 11273 (each) ..... **50-8008** \$2.95  
10 pack ..... **50-8078** \$9.95
17. Pump cover assembly  
1984-'91 (Universal) ..... **31-6098** \$94.95  
1992-'99 (Universal) ..... **31-6079** \$94.95  
1992-'99 (Standard Style) ..... **31-6094** \$89.95
18. Elbow, supply/return 26338-68A, 26561-81A, 26561-84A, 26338-68  
each ..... **106-2682** \$8.95  
5 pack ..... **50-1007** \$44.95
19. Fitting, supply/return hose  
..... **USA 1,2,3 50-8115** \$4.95
20. Return fitting, compression 63523-92, 63523-62  
..... **USA 1,2,3 50-8120** \$17.95
21. Seal, tubing 3/8" x 1/2" O.D. x 1/4" ..... **50-8271** \$10.95

22. Screws, mounting  
a. 1/4"-20 x 1-1/2" (SHCS) 4718A ..... **50-0079** \$0.95  
b. 1/4"-20 x 1-1/2" (HHCS) ..... **50-0080** \$0.95  
c. 1/4"-20 x 2-1/2" (SHCS) ..... **50-0086** \$0.95
  23. Washer, 1/4" (each) ..... **50-7017** \$2.95  
12 pack ..... **50-7013** \$7.95
  24. Retaining ring 695-36, 26348-36 (each) ..... **50-8058** \$2.95  
10 Pack ..... **50-8106** \$13.95
  25. Retaining ring, external 11002 (each) ..... **50-8059** \$0.95  
10 Pack ..... **50-8107** \$5.95
  26. Gear, pump drive, 24T 26345-73 ..... **33-4230** \$36.95
  27. Gear, pinion shaft pump drive 1954-'89  
26349-73, 26349-73A ..... **33-4232** \$41.95
  28. Gear, steel breather valve  
Standard 25310-82A, 25313-77B, 25311-90  
+.030" ..... **33-4241** \$95.95  
..... **33-4242** \$95.95
  29. Shim, steel breather kit  
8 pack (Includes one of each thickness) ..... **33-4249** \$24.95  
+.100" thick ..... **33-4200** \$4.95  
+.110" thick 25320-79 ..... **33-4201** \$4.95  
+.120" thick 25322-79 ..... **33-4202** \$4.95  
+.130" thick 25325-79, 25320-82 ..... **33-4203** \$4.95  
+.140" thick 25322-82, 25327-79 ..... **33-4204** \$4.95  
+.150" thick 25325-82 ..... **33-4205** \$4.95  
+.160" thick 25327-82 ..... **33-4206** \$4.95  
+.170" thick ..... **33-4207** \$4.95
  30. Gasket rebuild kit  
Includes key and retaining ring (N/S)  
1984-'91 BT HVHP 31-6306 ..... **31-6308** \$9.95  
1992-'99 BT HVHP ..... **31-6299** \$10.95
  31. Master rebuild kit (N/S)  
Includes gasket rebuild kit, seal, retaining ring, relief valve  
spring, check valve spring, check valve, ball, and cover screw  
o-rings.  
1984-'91 BT HVHP ..... **31-6309** \$20.95  
1992-'99 BT HVHP ..... **31-6300** \$24.95
- Hardware Kit, Oilpump Cover (N/S)  
(Includes # 10, 18, 19, 20) ..... **31-6285±** \$50.95
- Oilpump Mounting Hardware Kit (N/S)  
(Includes # 22a, 22b, 22c, 23) ..... **31-6301** \$7.95

(N/S) = Not Shown

**NOTE** HVHP oil pump gaskets are not interchangeable with standard S&S or stock oil pump gaskets.



All reference to HD® Part #s is for identification purposes only. We in no way are implying that any of S&S® Cycle's products are original equipment parts or that they are equivalent to the corresponding HD Part # shown.

± WARNING: Cancer and Reproductive Harm — www.P65Warnings.ca.gov

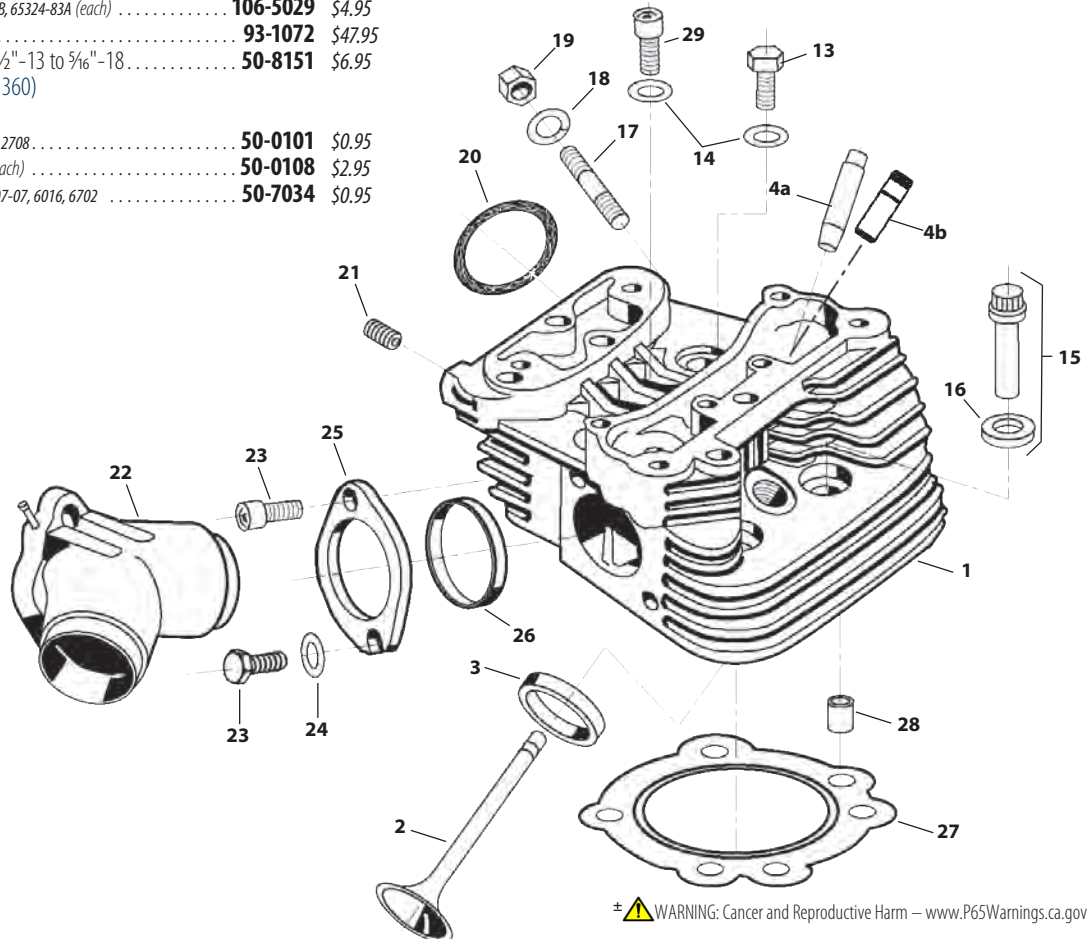
# PERFORMANCE REPLACEMENT HEAD REPLACEMENT PARTS FOR 1984-'99 BIG TWIN ENGINES

1. Cylinder head (See cylinder heads on PAGE 356)
2. Valve
  - Intake - 1.900" diameter..... **90-2139** \$53.95
  - Exhaust - 1.575" diameter..... **90-2026** \$57.95
3. Valve seats
  - Intake - 1.900" diameter..... **90-2138** \$37.95
  - Exhaust - 1.605" diameter..... **90-2003** \$54.95
- 4a. Valve guide - Cast - intake or exhaust  
Standard Diameter .5625/.5620 18112-92
  - 90-2210** \$29.95
  - + .001" Diameter .5635/.5630 18130-83C **90-2211** \$62.95
  - + .002" Diameter .5645/.5640 18133-83A, 18133-83D **90-2212** \$83.95
  - + .003" Diameter .5655/.5650 18131-83C **90-2213** \$94.95
  - + .030" Diameter .5925/.5920 **90-2219** \$52.95
- 4b. Valve Guide - Powder Metal - Intake/Exhaust
  - Standard..... **900-0553** \$33.95
  - + .001..... **900-0554** \$33.95
  - + .002..... **900-0555** \$33.95
  - + .003..... **900-0556** \$33.95
13. Head mount bolt - 3/8" - 16 x 1 1/4" 4716W  
each..... **50-0168** \$2.95
14. Flat washer - 3/8"
  - Zinc (each)..... **50-7051** \$2.95
  - Chrome (each)..... **50-7106-S** \$3.95
15. Head bolt assembly - Includes head bolt washer. (See PAGE 358)
16. Head bolt washer
  - .150" (each)..... **50-0418-S** \$4.95
  - .250" (each)..... **50-7091** \$2.95
17. Exhaust port stud 16715-83 (each)..... **50-0493** \$2.95  
5 pack..... **50-1028** \$13.95
18. Lock washer - 5/16"..... **50-7032** \$0.95
19. Nut, HH - 5/16" - 24 7833, 7883..... **50-5023** \$0.95
20. Exhaust pipe gasket 65324-83B, 65324-83A (each)..... **106-5029** \$4.95  
10 pack..... **93-1072** \$47.95
21. Thread conversion insert, 1/2" - 13 to 5/16" - 18..... **50-8151** \$6.95
22. Intake manifold (See PAGE 360)
23. Screw, manifold mounting
  - SH 5/16" - 18 x 1" 3201WA, 2708..... **50-0101** \$0.95
  - HH 5/16" - 18 x 1" 3987 (each)..... **50-0108** \$2.95
24. Washer, flat - 5/16" 6320, 70907-07, 6016, 6702..... **50-7034** \$0.95

25. Flange, manifold mounting
  - Front 27009-86A (each)..... **16-0232** \$41.95
  - 5 pack..... **16-0600** \$199.95
  - Rear 27010-86A (each)..... **16-0233** \$41.95
  - 5 pack..... **16-0601** \$199.95
  - Set of Two..... **106-3516** \$62.95
26. O-ring, manifold
  - Stock manifolds 26995-86B, 26995-86A, 26992-99 (each)..... **16-0236** \$5.95
  - 10 pack..... **16-0244** \$42.95
  - S&S manifolds (each)..... **16-0235** \$6.95
  - 10 pack..... **16-0243** \$48.95
27. Head gasket, 1984-'99 big twin (No o-rings required)
  - 3 1/2" Bore
    - .045" thick 16770-84D, 16770-84F (each)..... **93-1011-S** \$13.95
    - 10 pack..... **93-1024** \$136.95
    - .0625" thick 16770-84D, 16770-84F, 10773-85 (each)..... **93-1313-S** \$15.95
    - 10 pack..... **93-1051** \$157.95
  - 3 3/8" Bore
    - .045" thick (each)..... **93-1037-S** \$10.95
    - 10 pack..... **93-1052** \$125.95
    - .062" thick (each)..... **93-1016-S** \$15.95
    - 10 pack..... **93-1053** \$157.95
28. Alignment dowel 16574-99A, 16573-83, 16573-83A (each)..... **50-8023** \$3.95  
10 pack..... **50-8109** \$20.95
29. Temp Sensor Hole Plug Screw, SHCS, 3/8" - 16 x 1" (each)..... **50-0161** \$0.95

## TOP END REBUILD GASKET KITS FOR S&S® ENGINES FOR BIG TWINS

S&S Engine Family	Year Group	Bore Size	Part #	MSRP
V-Series	1984-'99	3 3/8"	<b>90-9502</b>	\$73.95
V-Series	1984-'99	3 1/2"	<b>90-9507</b>	\$83.95

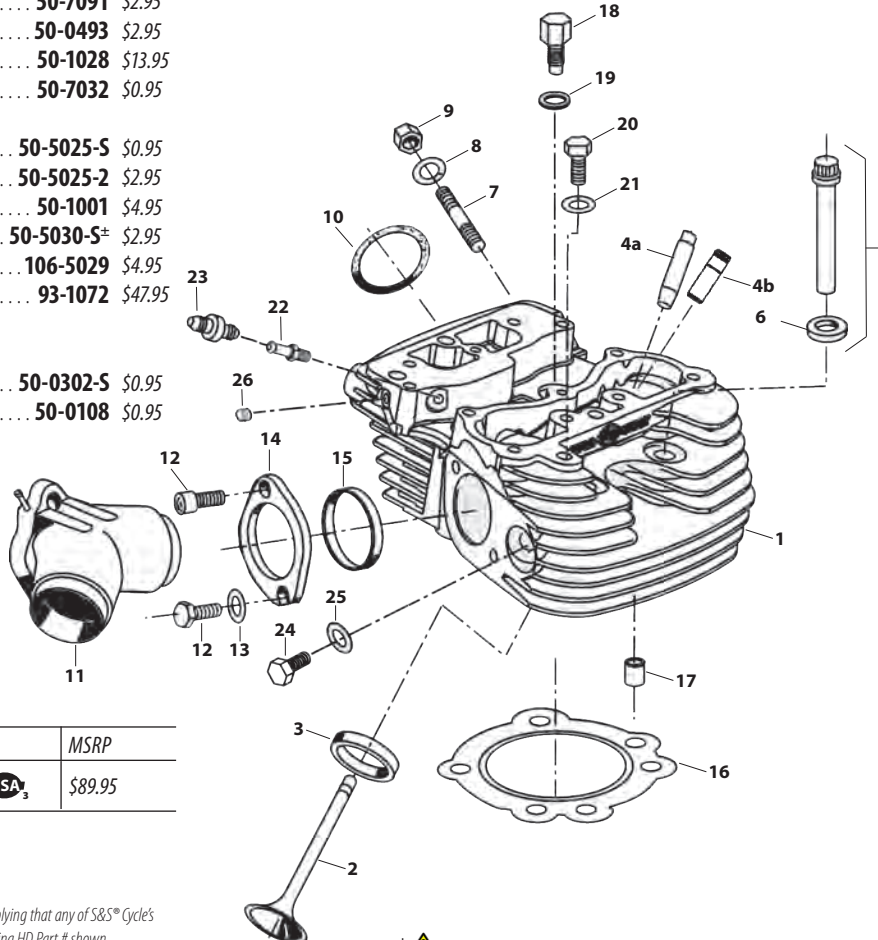


⚠ WARNING: Cancer and Reproductive Harm - www.P65Warnings.ca.gov

# SUPER STOCK® CYLINDER HEADS REPLACEMENT PARTS FOR S&S 4-1/8" V-SERIES

1. Cylinder head - All S&S 4 1/8" bore (See PAGE 357) -
2. Valve Intake  
2.000" diameter ..... **90-2000** \$28.95  
2.000" diameter + .085" stem length ..... **90-2004** \$30.95  
Exhaust  
1.605" diameter ..... **90-2001** \$63.95
3. Valve seat  
Intake - 2.000" diameter ..... **USA 1,2,3 90-2002** \$23.95  
Exhaust - 1.605" diameter ..... **USA 1,2,3 90-2003** \$54.95
- 4a. Valve guide - Cast - Intake/Exhaust (see valve guide diameter chart)  
Standard Diameter .5625/.5620 18112-92 ..... **USA 1,2,3 90-2210** \$29.95  
+ .001" Diameter .5635/.5630 18130-83C ..... **USA 1,2,3 90-2211** \$62.95  
+ .002" Diameter .5645/.5640 18133-83A, 18133-83D ..... **USA 1,2,3 90-2212** \$83.95  
+ .003" Diameter .5655/.5650 18131-83C ..... **USA 1,2,3 90-2213** \$94.95  
+ .030" Diameter .5925/.5920 ..... **USA 1,2,3 90-2219** \$52.95
- 4b. Valve Guide - Powder Metal - Intake/Exhaust  
Standard ..... **900-0553** \$33.95  
+ .001 ..... **900-0554** \$33.95  
+ .002 ..... **900-0555** \$33.95  
+ .003 ..... **900-0556** \$33.95
5. Head bolt assembly (Includes head bolt washer)  
111" (Includes washer .100") ..... **93-3030** \$15.95  
117" (Includes washer .250") ..... **93-3037** \$15.95  
124" (Includes washer .250") ..... **93-3037** \$15.95
6. Head bolt washer  
.150" (each) ..... **50-0418-S** \$4.95  
.250" (each) ..... **50-7091** \$2.95
7. Exhaust port stud 16715-83 (each) ..... **50-0493** \$2.95  
5 pack ..... **50-1028** \$13.95
8. Lock washer - 3/16" ..... **50-7032** \$0.95
9. Nut, flanged - 3/16"-24 7593  
Zinc (each) ..... **50-5025-S** \$0.95  
2 pack ..... **50-5025-2** \$2.95  
5 pack ..... **50-1001** \$4.95  
Chrome (each) ..... **50-5030-S** \$2.95
10. Exhaust pipe gasket (each) 65324-83B, 65324-83A ..... **106-5029** \$4.95  
10 pack ..... **93-1072** \$47.95
11. Intake manifold (See Manifolds on PAGE 360)
12. Manifold mounting screw  
SH - 5/16" - 18 x 3/4" 3275 (each) ..... **50-0302-S** \$0.95  
HH - 5/16" - 18 x 1" 3987 (each) ..... **50-0108** \$0.95

13. Flat washer - 5/16" 6320, 70907-07, 6016, 6702 ..... **50-7034** \$0.95
14. Manifold mounting flange  
Front 27009-86A (each) ..... **USA 16-0232** \$41.95  
5 pack ..... **USA 16-0600** \$199.95  
Rear 27010-86A (each) ..... **USA 16-0233** \$41.95  
5 pack ..... **USA 16-0601** \$199.95  
Set of Two ..... **106-3516** \$62.95
15. Manifold o-ring (each) ..... **16-0235** \$6.95  
10 pack ..... **16-0243** \$48.95
16. Head gasket - All S&S SSW+ - 4 1/8" Bore, Micropore  
each ..... **93-1047-S** \$12.95  
10 pack ..... **93-1073** \$125.95
17. Alignment dowel, base and head 16595-99A (each) ..... **50-8177** \$3.95  
4 pack ..... **50-8177-4** \$10.95
18. Plug, HH - 14mm (Use when compression releases are not installed)  
each ..... **90-4916** \$16.95  
2 pack ..... **90-4916-2** \$26.95
19. Washer, compression - 14mm - .507" x .705" x .047" ..... **50-7094** \$10.95
20. Head mount bolt 3/8"-16 x 1 1/4" 4716W ..... **50-0168** \$2.95
21. Flat washer - 3/8" ..... **USA 1,2,3 50-7051** \$2.95
22. Vent hose fitting,  
Front, 1/16"-27 pipe ..... **USA 3 50-8117** \$10.95  
Rear, 1/8"-27 pipe ..... **USA 1,2,3 50-8115** \$4.95
23. Check Valve ..... **50-8122** \$11.95
24. Screw, HHC, 3/16"-18 x 3/8" (each) ..... **50-0106** \$2.95
25. Washer, flat, .319" x .545" x .42" (each) ..... **50-7026** \$2.95
26. Plug, Pipe, 3/4 Taper, 1/16"-27 NPTF x .156" ..... **50-8332** \$0.95
















## TOP END REBUILD GASKET KITS FOR S&S® ENGINES FOR BIG TWINS

Engine Family	Year Group	Bore Size	Part #	MSRP
V-Series	1984-'99	4 1/8"	<b>90-9506</b> <b>USA 3</b>	\$89.95

All reference to HD® Part #s is for identification purposes only. We in no way are implying that any of S&S® Cycle's products are original equipment parts or that they are equivalent to the corresponding HD Part # shown.

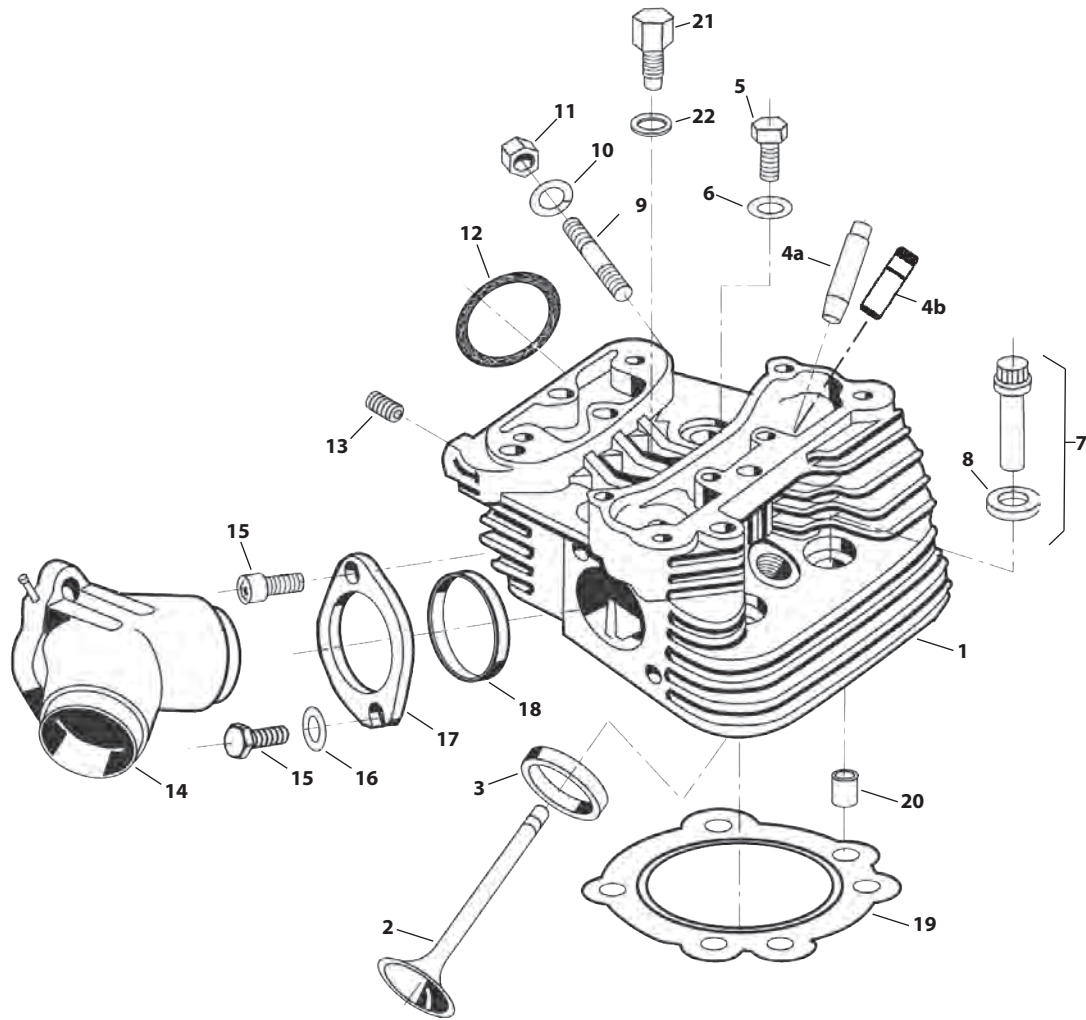
⚠ WARNING: Cancer and Reproductive Harm - www.P65Warnings.ca.gov

# SUPER STOCK® CYLINDER HEAD REPLACEMENT PARTS FOR 1984–'99 BIG TWIN 3-5/8" TO 4" BORE

1. Cylinder head (See PAGE 356 & PAGE 357)		
2. Valves		
Intake		
2.000" diameter.....	<b>90-2000</b>	\$28.95
2.000" diameter+.085" stem length.....	<b>90-2004</b>	\$30.95
2.000" diameter+.005" stem diameter.....	<b>90-2029</b>	\$62.95
Exhaust		
1.605" diameter.....	<b>90-2001</b>	\$63.95
1.605" diameter+.005" stem.....	<b>90-2030</b>	\$73.95
3. Valve seats		
Intake - 2.000" diameter.....	 <b>90-2002</b>	\$23.95
Exhaust - 1.605" diameter.....	 <b>90-2003</b>	\$54.95
4a. Valve guide - intake or exhaust		
Standard Diameter .5625/.5620 18112-92		
.....	  <b>90-2210</b>	\$29.95
+.001" Diameter .5635/.5630 18130-83C.....	 <b>90-2211</b>	\$62.95
+.002" Diameter .5645/.5640 18133-83A, 18133-83D.....	 <b>90-2212</b>	\$83.95
+.003" Diameter .5655/.5650 18131-83C.....	 <b>90-2213</b>	\$94.95
+.030" Diameter .5925/.5920.....	 <b>90-2219</b>	\$52.95
4b. Valve Guide - Powder Metal - Intake/Exhaust		
Standard.....	<b>900-0553</b>	\$33.95
+.001.....	<b>900-0554</b>	\$33.95
+.002.....	<b>900-0555</b>	\$33.95
+.003.....	<b>900-0556</b>	\$33.95
5. Head mount bolt - 3/8" - 16 x 1 1/4" 4716W		
each.....	<b>50-0168</b>	\$2.95
6. Flat washer - 3/16"		
Zinc (each).....	 <b>50-7051</b>	\$2.95
Chrome (each).....	<b>50-7106-S±</b>	\$3.95
7. Head bolt assembly - Includes head bolt washer (See PAGE 358)		
8. Head bolt washer		
.150" (each).....	<b>50-0418-S</b>	\$4.95
.250" (each).....	<b>50-7091</b>	\$2.95
9. Exhaust port stud 16715-83 (each)	<b>50-0493</b>	\$2.95
5 pack.....	<b>50-1028</b>	\$13.95
10. Lock washer - 5/16" (each).....	<b>50-7032</b>	\$0.95
11. Nut, HH - 5/16" - 24 7833, 7883 (each)	<b>50-5023</b>	\$0.95
12. Exhaust pipe gasket 65324-83B, 65324-83A (each)	<b>106-5029</b>	\$4.95
10 pack.....	<b>93-1072</b>	\$47.95
13. Thread conversion insert 1/2"-13 to 5/16"-18.....	<b>50-8151</b>	\$6.95
14. Intake manifold (See PAGE 360)		
15. Screw, manifold mounting		
SH - 5/16" - 18 x 1" 3201WA, 2708 (each).....	<b>50-0101</b>	\$0.95
HH - 5/16" - 18 x 1" 3987 (each).....	<b>50-0108</b>	\$2.95
16. Washer, flat - 5/16" 6320, 70907-07, 6016, 6702 (each)	<b>50-7034</b>	\$0.95
17. Flange, manifold mounting		
Front 27009-86A (each).....	 <b>16-0232</b>	\$41.95
5 pack.....	 <b>16-0600</b>	\$199.95
Rear 27010-86A (each).....	 <b>16-0233</b>	\$41.95
5 pack.....	 <b>16-0601</b>	\$199.95
Set.....	<b>106-3516</b>	\$62.95
18. O-ring, manifold (each)	<b>16-0235</b>	\$6.95
10 pack.....	<b>16-0243</b>	\$48.95
19. Head gasket 3 1/2" Bore		
.045" thick (no o-rings required) 16770-84D, 16770-84F		
each.....	<b>93-1011-S</b>	\$13.95
10 pack.....	<b>93-1024</b>	\$136.95
.0625" thick (no o-rings required) 16770-84D, 16770-84F, 10773-85		
each.....	<b>93-1313-S</b>	\$15.95
10 pack.....	<b>93-1051</b>	\$157.95
3 3/8" Bore .045" thick (no o-rings required) (each).....	<b>93-1037-S</b>	\$10.95
10 pack.....	<b>93-1052</b>	\$125.95
.062" thick (no o-rings required) (each).....	<b>93-1016-S</b>	\$15.95
10 pack.....	<b>93-1053</b>	\$157.95
4" Bore		
.045" thick (each).....	<b>93-1040-S</b>	\$12.95
10 pack.....	<b>93-1071</b>	\$125.95
.070" diameter 26432-76A.....	<b>50-8034-S</b>	\$5.95
20. Alignment dowel 16574-99A, 16573-83, 16573-83A (each)	<b>50-8023</b>	\$3.95
10 pack.....	<b>50-8109</b>	\$20.95
Dowel pin - 1/4" diameter x 1/2" - 4" bore 358, 366 (each).....	<b>50-8022</b>	\$3.95
2 pack.....	<b>50-8022-2</b>	\$8.95
5 pack.....	<b>50-8105</b>	\$8.95
21. Plug, HH - 14mm (each)	<b>90-4916</b>	\$16.95
2 pack.....	<b>90-4916-2</b>	\$26.95
22. Washer, compression release- 14mm		
.507" x .705" x .047" (each).....	<b>50-7094</b>	\$10.95

All reference to HD® Part #s is for identification purposes only. We in no way are implying that any of S&S® Cycle's products are original equipment parts or that they are equivalent to the corresponding HD Part # shown.

±  WARNING: Cancer and Reproductive Harm - www.P65Warnings.ca.gov



**TOP END REBUILD GASKET KITS FOR S&S® ENGINES FOR BIG TWINS**

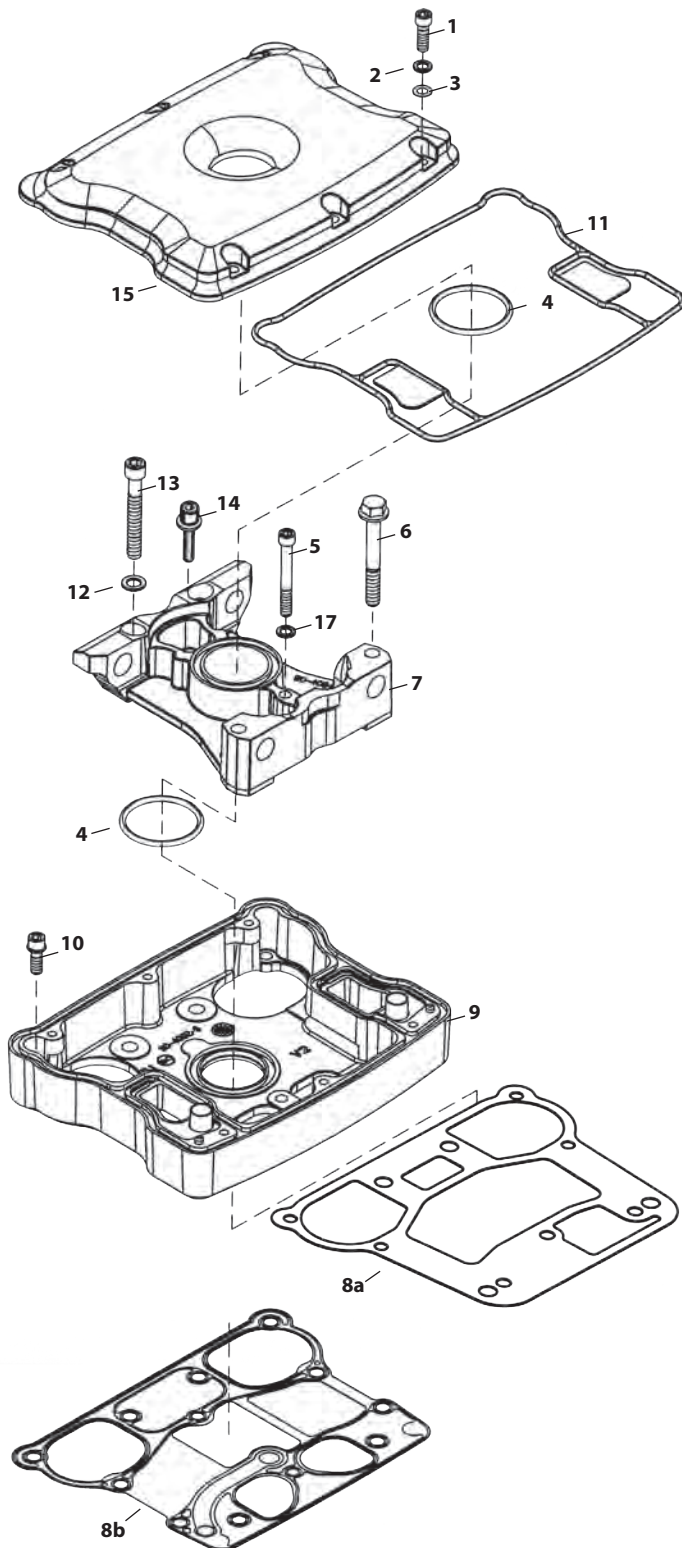
S&S Engine Family	Year Group	Bore Size	Part #	MSRP
V-Series	1984-'99	4"	<b>90-9503</b> USA <sub>2</sub>	\$70.95
V-Series	1984-'99	3 3/8"	<b>90-9502</b> USA <sub>1</sub>	\$73.95

All reference to HD® Part #s is for identification purposes only. We in no way are implying that any of S&S® Cycle's products are original equipment parts or that they are equivalent to the corresponding HD Part # shown.

# DIE-CAST ROCKER COVER REPLACEMENT PARTS FOR 1984–'99 BIG TWINS & S&S 4-1/8" BORE ENGINES

- |   |               |          |
|---|---------------|----------|
| 1. Screw, socket head 1/4"-20 x 3/4" 4069A (each)                 | 50-0067       | \$2.95   |
| 2. Washer, flat 1/4" (each)                                       | 50-7017       | \$2.95   |
| 12 pack   | 50-7013       | \$7.95   |
| 3. Washer, rubber coated 1/4" (each)                              | 50-7015       | \$2.95   |
| 8 pack  | 50-7015-8     | \$7.95   |
| 12 pack   | 50-7015-12    | \$10.95  |
| 4. Seal, o-ring (Included in gasket set see #16 below.)           | 50-8044       | \$2.95   |
| 5. Screw, SH 1/4"-20 x 2" 25794-36                                | 50-0013       | \$2.95   |
| 6. Screw, hex flange head 5/16"-18 x 2 1/4" 3501                  | 50-0123       | \$2.95   |
| 7. Support, rocker arm  | 90-4140       | \$62.95  |
| 8. Gasket, rocker housing, 1984-'99 bt                            |               |          |
| a. Gasket, Bottom, Rocker Cover, 1984-'99 bt                      |               |          |
| each  | 900-0538      | \$12.95  |
| 2 pack  | 900-0592      | \$26.95  |
| b. S&S 4 1/8" Bore 16719-99B (each)                               | USA 90-4071-S | \$7.95   |
| 2 pack  | USA 90-4071   | \$14.95  |
| 10 pack   | USA 90-4099   | \$73.95  |
| 9. Housing, rocker, chrome  |               |          |
| 1984-'99 bt   | 900-0790±     | \$267.95 |
| S&S 4 1/8" Bore   | 900-4283±     | \$262.95 |
| 10. Screw, 1984-'99 bt, SHCS 1/4"-20 x 1" 4741A (each)            | 50-0092-S     | \$2.95   |
| 4 pack  | 50-0092P      | \$5.95   |
| S&S 4 1/8" Bore, SHCS 5/16"-18 x 1"                               | 50-0125-S     | \$2.95   |
| 11. Seal, rocker cover (Included in gasket set see #16 below.)    | 90-4079       | \$13.95  |
| 12. Washer, flat 5/16" (each)                                     | USA 50-7026   | \$2.95   |
| 13. Screw, SH 5/16"-18 x 2 1/4" (each)                            | 50-0115-S     | \$2.95   |
| 14. Screw, socket head, 1/4"-20 x 1" (S&S 4 1/8" bore only) 4741A |               |          |
| each  | 50-0092-S     | \$2.95   |
| 4 pack  | 50-0092P      | \$5.95   |
| 15. Cover, rocker, chrome   | 900-0706±     | \$167.95 |
| 16. Gasket Set (N/S)  |               |          |
| 1984-'99 bt   | 90-4091       | \$67.95  |
| S&S 4 1/8" Bore   | 90-4111       | \$57.95  |
| 17. Washer, flat, .261"x.474"x.050" Annealed, Stainless Steel     |               |          |
| each  | 50-7020       | \$2.95   |

(N/S) = Not Shown



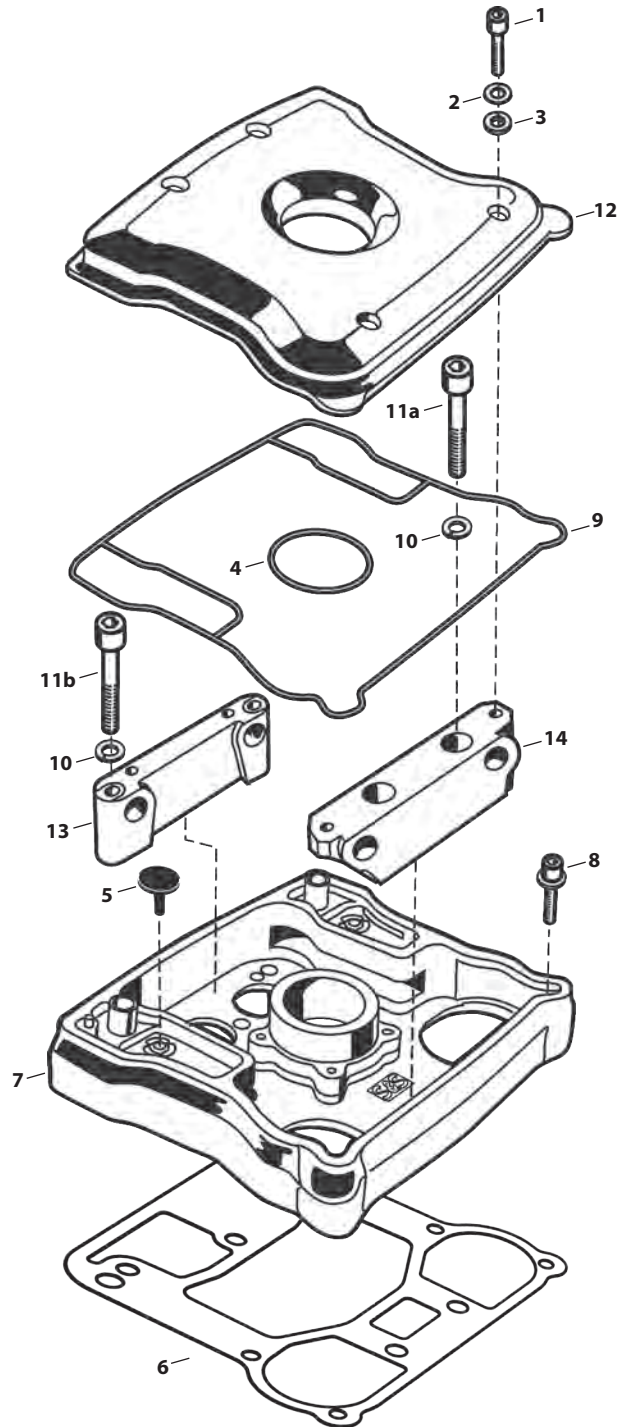
All reference to HD® Part #s is for identification purposes only. We in no way are implying that any of S&S® Cycle's products are original equipment parts or that they are equivalent to the corresponding HD Part # shown.

± ⚠️ WARNING: Cancer and Reproductive Harm – www.P65Warnings.ca.gov

# BILLET ROCKER COVER REPLACEMENT PARTS FOR 1984-'99 BIG TWIN ENGINES

1. Screw, SH - 1/4" - 20 x 3/4" 4069A (each) ..... **50-0067** \$2.95
2. Washer, flat - 1/4" (each) ..... **50-7017** \$2.95  
12 pack ..... **50-7013** \$7.95
3. Washer, flat - 1/4" rubber covered (each) ..... **50-7015** \$2.95  
8 pack ..... **50-7015-8** \$7.95  
12 pack ..... **50-7015-12** \$10.95
4. O-ring - 1 5/8" I.D. x 1 7/8" O.D. x 1/8" CS Viton®  
(Included in gasket set - See #16 below.)
5. Rocker cover umbrella valve cover - 1992-'99 big twin  
(Included in gasket set. See #16 below.)  
26856-89, 26856-89A ..... **90-4030** \$2.95
6. Gasket, Bottom, Rocker Cover, 1984-99 bt (each) ..... **900-0538** \$12.95  
2 pack ..... **900-0592** \$26.95
7. Rocker cover base - billet  
Chrome ..... **90-4051±** \$409.95  
Natural ..... **90-4056** \$262.95
8. Screw, SH w/washer - 1/4" - 20 x 1" 4741A (each) ..... **50-0092-S** \$2.95  
4 pack ..... **50-0092P** \$5.95
9. Rocker cover o-ring gasket - S&S billet rocker cover  
(Included in gasket set. See #16 below.)
10. Washer, flat - 5/16" (each) ..... **50-7026** \$2.95
11. Bolt, rocker support - socket head  
a. 5/16" - 18 x 2-1/4" (left support) ..... **50-0115-S** \$2.95  
each ..... **50-0115-S** \$2.95  
b. 5/16" - 18 x 2-1/2" (right support) 876A  
each ..... **50-0118** \$2.95
12. Rocker cover top - billet  
Chrome ..... **90-4054±** \$235.95
13. Right rocker shaft support - billet ..... **90-4053** \$104.95
14. Left rocker shaft support - billet ..... **90-4052** \$104.95
15. Rocker cover gasket set - S&S billet rocker cover - (N/S) **90-4049** \$73.95
16. Rocker cover hardware kit - (N/S) ..... **90-4050A** \$34.95

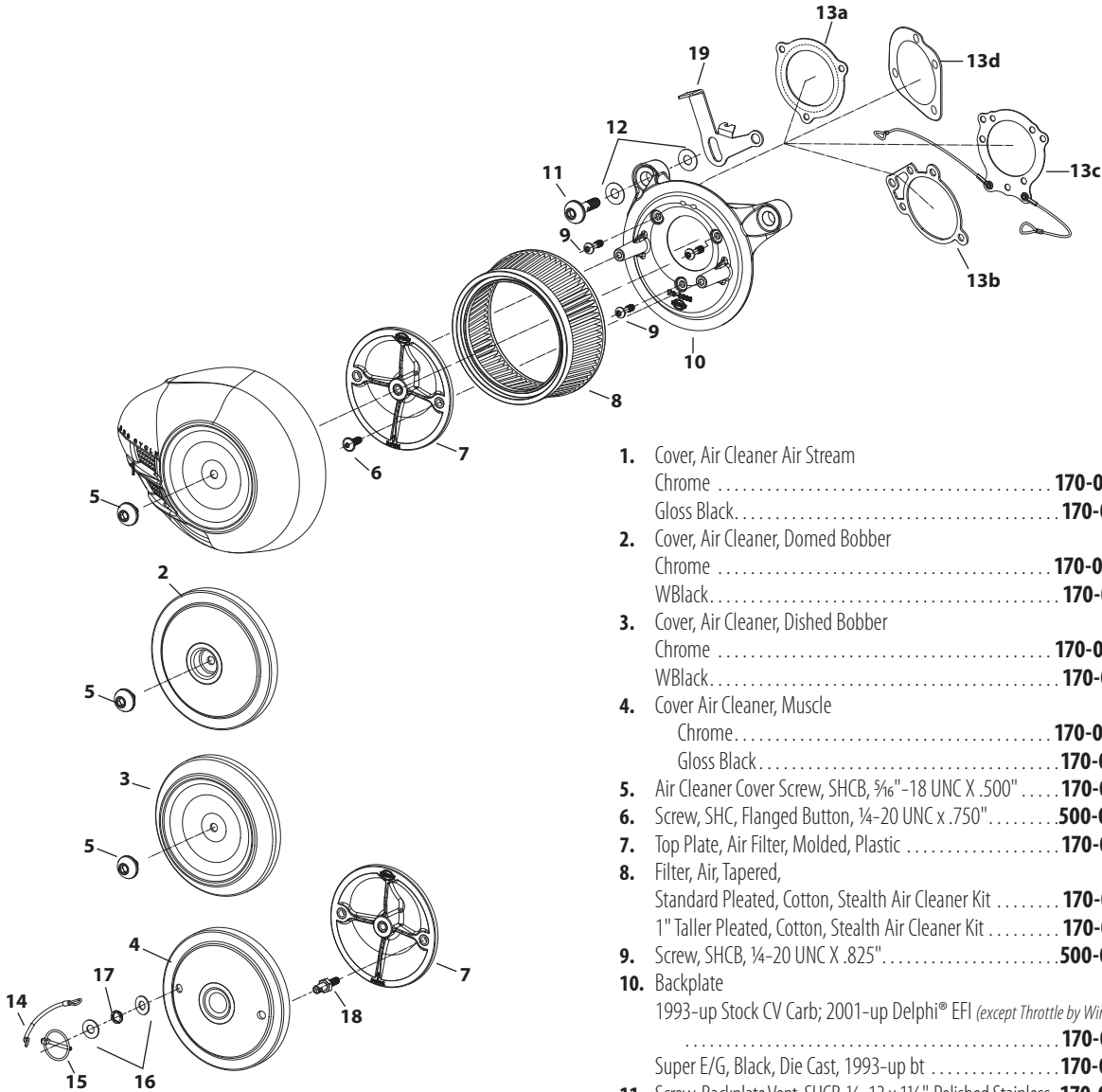
(N/S) = Not Shown



All reference to HD® Part #s is for identification purposes only. We in no way are implying that any of S&S® Cycle's products are original equipment parts or that they are equivalent to the corresponding HD Part # shown.

± ⚠️ WARNING: Cancer and Reproductive Harm - www.P65Warnings.ca.gov

# STEALTH AIR CLEANER KIT REPLACEMENT PARTS



- |  |                                      |
|--|--------------------------------------|
| <b>1. Cover, Air Cleaner Air Stream</b>  |                                      |
| Chrome .....   | <b>170-0118<sup>±</sup></b> \$157.95 |
| Gloss Black .....  | <b>170-0396</b> \$157.95             |
| <b>2. Cover, Air Cleaner, Domed Bobber</b>   |                                      |
| Chrome .....   | <b>170-0120<sup>±</sup></b> \$125.95 |
| WBlack .....   | <b>170-0124</b> \$125.95             |
| <b>3. Cover, Air Cleaner, Dished Bobber</b>  |                                      |
| Chrome .....   | <b>170-0119<sup>±</sup></b> \$125.95 |
| WBlack .....   | <b>170-0123</b> \$125.95             |
| <b>4. Cover Air Cleaner, Muscle</b>  |                                      |
| Chrome .....   | <b>170-0172<sup>±</sup></b> \$104.95 |
| Gloss Black .....  | <b>170-0462</b> \$104.95             |
| <b>5. Air Cleaner Cover Screw, SHCB, 5/16"-18 UNC X .500"</b>  | <b>170-0508</b> \$17.95              |
| <b>6. Screw, SHC, Flanged Button, 1/4-20 UNC x .750"</b>   | <b>500-0060</b> \$2.95               |
| <b>7. Top Plate, Air Filter, Molded, Plastic</b>   | <b>170-0026</b> \$13.95              |
| <b>8. Filter, Air, Tapered,</b>  |                                      |
| Standard Pleated, Cotton, Stealth Air Cleaner Kit .....  | <b>170-0126</b> \$42.95              |
| 1" Taller Pleated, Cotton, Stealth Air Cleaner Kit .....   | <b>170-0127</b> \$71.95              |
| <b>9. Screw, SHCB, 1/4-20 UNC X .825"</b>  | <b>500-0059</b> \$2.95               |
| <b>10. Backplate</b>   |                                      |
| 1993-up Stock CV Carb; 2001-up Delphi® EFI (except Throttle by Wire)                                 |                                      |
| .....  | <b>170-0021</b> \$48.95              |
| Super E/G, Black, Die Cast, 1993-up bt .....   | <b>170-0049</b> \$87.95              |
| <b>11. Screw, Backplate Vent, SHCB, 1/2-13 x 1 1/2", Polished Stainless</b>                          | <b>170-0044</b> \$24.95              |
| <b>12. Washer, Flat, Nitrile Rubber Coated</b>   |                                      |
| .520" x .880" x .024" BT 1993-'99 & xl 1991-'06 (each) .....   | <b>50-7055</b> \$2.95                |
| 10 pack .....  | <b>50-7057</b> \$12.95               |
| .380" x .880" x .024" BT 1999-'06 (each) .....   | <b>50-7054</b> \$2.95                |
| 10 pack .....  | <b>50-7059</b> \$12.95               |
| <b>13. Gasket, Backplate</b>   |                                      |
| <b>a.</b> Throttle by Wire, .0625" Thick, 2008-up bt .....   | <b>160-0035</b> \$3.95               |
| <b>b.</b> Super E/G .....  | <b>106-1724</b> \$3.95               |
| <b>c.</b> Stock CV Carb & EFI Throttle Body, Throttle by Wire, Lanyard style, 1991-up xl/bt          |                                      |
| .....  | <b>170-0137</b> \$24.95              |
| <b>d.</b> Stock CV Carb & EFI Throttle Body, 1991-up xl/bt (except Throttle by Wire) 29062-95B ..... | <b>106-6022</b> \$3.95               |
| <b>14. Lanyard, 6" Stainless Steel</b>   | <b>500-0095</b> \$8.95               |
| <b>15. Lynch Pin</b>   | <b>500-0083</b> \$17.95              |
| <b>16. Washer, Fender, Chrome Plated</b>   | <b>500-0094<sup>±</sup></b> \$2.95   |
| <b>17. Spring, Wave Washer, Stainless Steel</b>  | <b>500-0093</b> \$6.95               |
| <b>18. Screw, Hex, Hood-pin, 1/4-20, UNC</b>   | <b>500-0113</b> \$16.95              |
| <b>19. Lever, Enrch, Super E/G, Stealth, Short</b>   | <b>17-0327</b> \$8.95                |

All reference to HD® Part #s is for identification purposes only. We in no way are implying that any of S&S® Cycle's products are original equipment parts or that they are equivalent to the corresponding HD Part # shown.

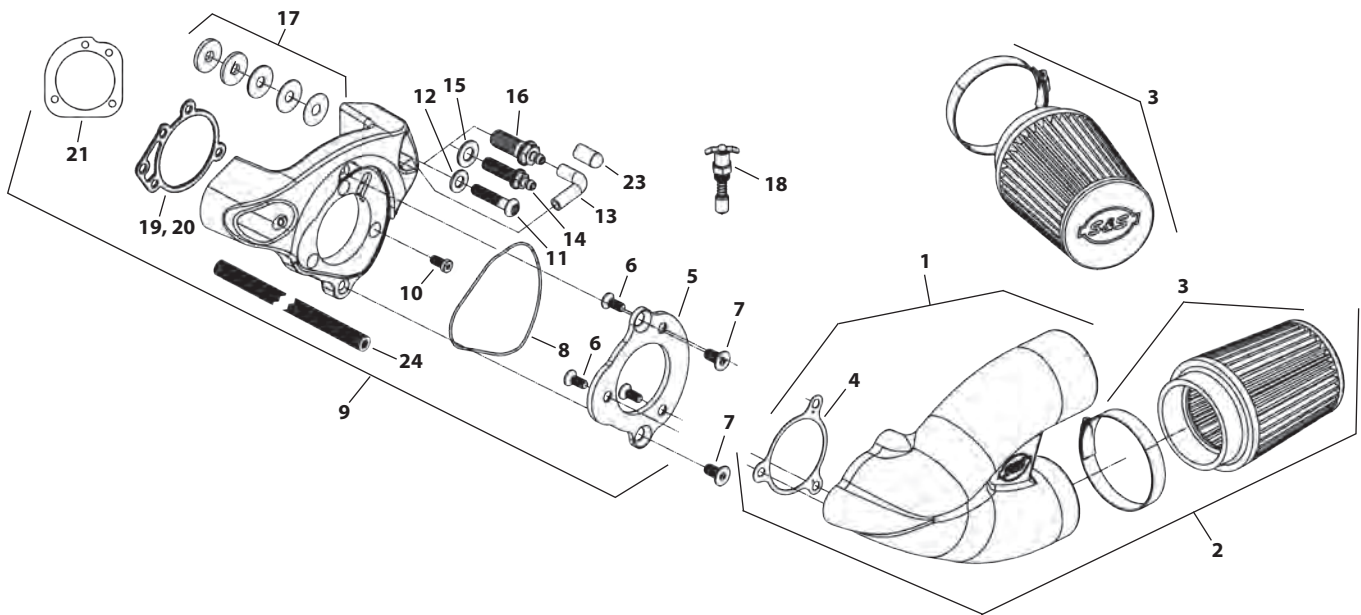
<sup>±</sup> WARNING: Cancer and Reproductive Harm — www.P65Warnings.ca.gov



# SINGLE BORE TUNED INDUCTION SYSTEM REPLACEMENT PARTS

- |  |  |
|--|--|
| <p><b>1.</b> Tuned Intake Kit, 2.19" Single Bore<br/>Natural ..... <b>106-4968</b> \$188.95<br/>Gloss Black..... <b>170-0453</b> \$187.95<br/>Chrome Plated..... <b>106-4970</b>± \$188.95</p> <p><b>2.</b> Tuned Intake Assembly, 2.19" Single Bore<br/>Gloss Black..... <b>170-0454</b> \$311.95<br/>Chrome Plated..... <b>106-4967</b>± \$314.95</p> <p><b>3.</b> Air Filter, with Clamp<br/>Stainless Cap – Conical – 2 7/16" I.D. x 4"<br/>Red (each) ..... <b>17-1020</b> \$57.95<br/>Blue (each) ..... <b>17-1023</b> \$57.95</p> <p><b>4.</b> Gasket, Intake – Adapter Plate<br/>2.19" Single Bore Tuned Intake ..... <b>17-1022</b> \$5.95</p> <p><b>5.</b> Plate, Adapter, 2.19" Single Bore Tuned Intake<br/>Chrome Steel ..... <b>17-1014</b>± \$77.95</p> <p><b>6.</b> FHSC 1/4-20 x 3/8" ..... <b>50-0433</b> \$3.95</p> <p><b>7.</b> FHSC 5/16-18 x 5/8" ..... <b>50-0432</b> \$5.95</p> <p><b>8.</b> O-ring, Adapter Plate Bracket<br/>3 5/8" O.D. x 3 1/2" I.D. 1/16 CS, Viton® ..... <b>50-0446</b> \$3.95</p> <p><b>9.</b> Bracket Kit, 2.19" Single Bore Tuned Intake<br/>Super E/G, S&amp;S V124 - Chromed ..... <b>106-4973</b>± \$419.95<br/>Super E/G, 1984-'99 BT - Chromed ..... <b>106-4974</b>± \$419.95<br/>Single VFI, S&amp;S V124 - Chromed ..... <b>106-4976</b>± \$419.95<br/>Single VFI, 1984-'99 BT - Chromed ..... <b>106-4977</b>± \$419.95<br/>Stock carb, Delphi® EFI, 1984-'99 BT - Chromed ..... <b>106-4978</b>± \$419.95</p> | <p><b>10.</b> Backplate Screw<br/>Screw, SHC, w/Threadlock, 1/4-20 x 1/2" ..... <b>106-2084</b> \$2.95<br/>10 pack ..... <b>106-2105</b> \$7.95</p> <p><b>11.</b> Screw, 5/16-18 x 1 1/4, BHC, Chrome ..... <b>50-0309-S</b>± \$5.95</p> <p><b>12.</b> Flat Washer 5/16" x 1/16" 6320, 70907-07, 6016, 6702 ..... <b>50-7034</b> \$0.95</p> <p><b>13.</b> Hose, Breather, 1/4" I.D., 90° ..... <b>19-0178A</b> \$3.95</p> <p><b>14.</b> Screw, Breather Fitting, 3/8-16 x 1 1/4" ..... <b>50-0436</b> \$14.95</p> <p><b>15.</b> Washer, Flat, 3/8" x 13/16" x 1/16", Chrome ..... <b>50-7106-S</b>± \$3.95</p> <p><b>16.</b> Screw, Breather Fitting, 1/2-13 x 1.25 ..... <b>50-0435</b> \$11.95</p> <p><b>17.</b> Shim Kit<br/>a. 5/16" I.D. 1984-'92 BT ..... <b>17-0314</b> \$10.95<br/>b. 1/2" I.D. 1993-'99 BT ..... <b>17-0464</b> \$17.95</p> <p><b>18.</b> Enrichment Device, S&amp;S Super E &amp; G carbs<br/>(Use in place of enrichment device on air cleaner backplate) .. <b>11-2084</b>± \$26.95</p> <p><b>19.</b> Gasket, Backplate - E/G/SBEFI ..... <b>106-1724</b> \$3.95<br/>10 pack ..... <b>106-2328</b> \$26.95</p> <p><b>20.</b> Gasket, S&amp;S SBEFI 58mm ..... <b>106-4662</b> \$5.95</p> <p><b>21.</b> Gasket, Stock carb/Throttle Body 29062-95B ..... <b>106-6022</b> \$3.95</p> <p><b>22.</b> Hardware Kit, 1984-'99 - (N/S)<br/>Stock Carb &amp; S&amp;S Single Bore EFI ..... <b>17-5098</b> \$136.95<br/>S&amp;S Super E or G Carb ..... <b>17-5099</b>± \$115.95<br/>S&amp;S 124 V-Series ..... <b>500-0016</b> \$63.95</p> <p><b>23.</b> Canister Purge Fitting Cap (each) ..... <b>50-8266-S</b> \$5.95</p> <p><b>24.</b> Breather Vent Hose ..... <b>106-4982</b> \$8.95</p> |
|--|--|

(N/S) = Not Shown



## ACCESSORIES

Description	Part #	MSRP
Air Filter Oil, 8 oz. Bottle	Red	<b>106-1163</b> \$30.95
	Blue	<b>106-1164</b> \$30.95
Nylon Air Filter Cover	each	<b>106-0247</b> \$48.95
	2 pack	<b>106-0248</b> \$96.95

± WARNING: Cancer and Reproductive Harm – www.P65Warnings.ca.gov

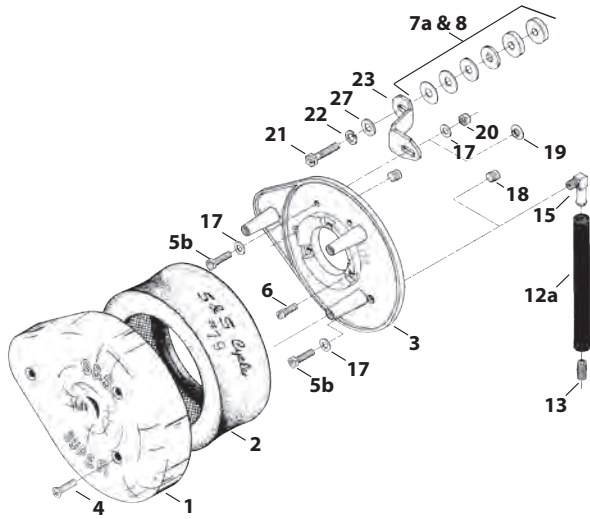
All reference to HD® Part #s is for identification purposes only. We in no way are implying that any of S&S® Cycle's products are original equipment parts or that they are equivalent to the corresponding HD Part # shown.

# AIR CLEANER REPLACEMENT PARTS FOR STOCK FUEL SYSTEMS

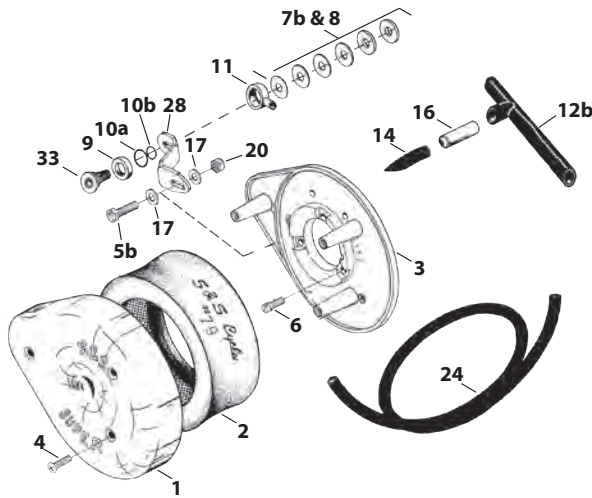
- |  |            |          |
|--|------------|----------|
| 1. Air cleaner cover   |            |          |
| Chrome   | 17-0078±   | \$164.95 |
| Black  | 17-0075    | \$134.95 |
| 2. Element   | 17-0079    | \$18.95  |
| 3. Backplate   |            |          |
| BT 1966-'89  | 106-0907   | \$103.95 |
| BT 1993-up   | 17-0003    | \$97.95  |
| 4. Cover screw 1305 (each)   | 50-0072    | \$2.95   |
| 3 pack   | 50-1052    | \$3.95   |
| 10 pack  | 50-0094    | \$8.95   |
| Black 902 (each)   | 50-0310-S  | \$4.95   |
| 3 pack   | 50-0310    | \$10.95  |
| 5. Screw HHCS 1/4"-28 x 7/8"   | 50-0074    | \$0.95   |
| 6. Backplate screw   |            |          |
| Zinc Plated (each)   | 106-2084   | \$2.95   |
| 10 pack  | 106-2105   | \$7.95   |
| 7. Shim kit  |            |          |
| a. BT 1966-'89 (Includes 2 each 5/16" x .018", 5/16" x .030", 5/16" x .048", 5/16" x .105" and 4 each 5/16" x .125") | 17-0314    | \$10.95  |
| b. BT 1993-'99 (Includes 2 each 1/2" x .018", 1/2" x .030", 1/2" x .048", 1/2" x .105", and 4 each 1/2" x .125")     | 17-0464    | \$17.95  |
| 8. Replacement shims   |            |          |
| <b>BT 1966-'89</b>   |            |          |
| a. 5/16" x .018" (each)  | 50-7038    | \$2.95   |
| b. 5/16" x .030" (each)  | 50-7039    | \$2.95   |
| c. 5/16" x .048" (each)  | 50-7040    | \$2.95   |
| d. 5/16" x .105" (each)  | 50-7041    | \$2.95   |
| e. 5/16" x .125" (each)  | 50-7042    | \$2.95   |
| <b>BT 1993-up</b>  |            |          |
| f. 1/2" x .018" (each)   | 50-7085    | \$2.95   |
| g. 1/2" x .030" (each)   | 50-7086    | \$2.95   |
| h. 1/2" x .048" (each)   | 50-7087    | \$2.95   |
| i. 1/2" x .105" (each)   | 50-7089    | \$2.95   |
| j. 1/2" x .125" (each)   | 50-7090    | \$4.95   |
| <b>BT 1999-up, All 2002-up EFI BT</b>  |            |          |
| k. 5/8" x .025" (each)   | 50-7113    | \$2.95   |
| 10 pack  | 50-7110    | \$7.95   |
| l. 5/8" x .050" (each)   | 50-7114    | \$2.95   |
| 10 pack  | 50-7111    | \$8.95   |
| m. 5/8" x .075" (each)   | 50-7115    | \$2.95   |
| 10 pack  | 50-7112    | \$11.95  |
| 9. Shim, head vent - .62" I.D. x .80" O.D. x .175"   |            |          |
| 10. O-ring   |            |          |
| a. (-014), .500" ID x .625" OD, Nitrile (each)   | 50-8270    | \$2.95   |
| 5 pack   | 50-8275    | \$3.95   |
| b. (-012), .375" ID x .500" OD, Viton® 11110 (each)  | 50-8006    | \$2.95   |
| 10 pack  | 50-8077    | \$7.95   |
| 11. Breather fitting (each)  | 17-0350    | \$4.95   |
| 2 pack   | 17-0355    | \$7.95   |
| 12. Crankcase breather vent hose   |            |          |
| a. BT 1984-'92   | 17-0113    | \$2.95   |
| b. BT 1993-'99   | 17-0339    | \$7.95   |
| 13. Vent hose connector,   |            |          |
| BT 1984-'92  | 50-8111    | \$2.95   |
| 14. Vent hose, with angle cut  | 17-0365    | \$3.95   |
| 15. 90° Elbow fitting (each)   | 50-8110    | \$20.95  |
| 16. Hose fitting   | 17-0336C-S | \$7.95   |
| 17. Flatwasher, 1/4" 6194, 6245, 6703, 6736, 6228W, 6192each   | 50-7021    | \$2.95   |
| 18. Backplate plug, 1/8" -27 NPT 45830-48  |            |          |
| each   | 50-8331A   | \$2.95   |
| 10 pack  | 50-1015    | \$10.95  |
| 19. Plug, press-in clear plastic   | 50-8313    | \$0.95   |
| 20. Support bracket locknut - 1/4"-28 x 7/8"   |            |          |
| each   | 50-5010    | \$2.95   |
| 21. Support bracket screw - 5/16"-18 x 1 1/4"  | 50-0110    | \$0.95   |
| 22. Lockwasher, 5/16"  | 50-7032    | \$0.95   |
| 23. Support bracket, Air cleaner to head   |            |          |
| BT 1984-'99  | 17-0311    | \$44.95  |
| 24. Rubber tubing - 1/4" x 5/8" x 3'   | N/A        | -        |
| 25. Wire tie (N/S)   | 50-8003    | \$2.95   |
| 26. Hardware kit, air cleaner mounting (N/S)   |            |          |
| BT 1984-'99  | 17-0244    | \$20.95  |
| 27. Washer, flat - 3/8" x 7/8" x .146"   |            |          |
| each   | 50-7053    | \$3.95   |
| 28. Carb support bracket -   |            |          |
| BT 1999-up & EFI Softail® 2001   | 17-0308    | \$6.95   |
| 29. Shim - 1/4" x 3/4" x .200"   | 50-7024    | \$2.95   |
| 30. Screw vent fitting   |            |          |
| a. BT 1993-'99   | 17-0347    | \$17.95  |
| b. BT 1999-up  | 17-0345    | \$20.95  |
| 31. Screw air cleaner backplate  | 17-0346    | \$5.95   |
| 32. Spring clamps (N/S)  | 50-8001    | \$0.95   |
| 33. Breather cap screw   | 17-0338    | \$8.95   |
| 34. Breather screw seal  |            |          |
| a. BT 1993-'99, All 2002 EFI BT - Washer .520 (each)   | 50-7055    | \$2.95   |
| 10 pack  | 50-7057    | \$12.95  |
| b. BT 1999-up, All 2002 EFI BT - Washer .380 (each)  | 50-7054    | \$2.95   |
| 10 pack  | 50-7059    | \$12.95  |

FI = fuel injected  
(N/S) = Not Shown

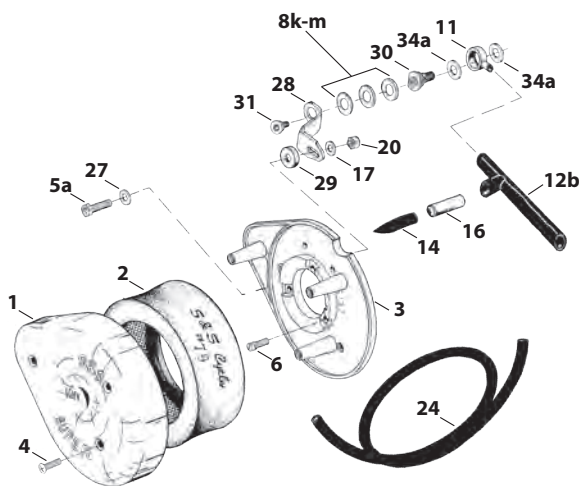
**CONTINUED ON NEXT PAGE**



**1984–'89 BIG TWIN  
(WITH BUTTERFLY CARBURETOR) 17-0108**



**1993–'99 BIG TWIN  
(WITH CV CARBURETOR) (OBSOLETE) 17-0100**

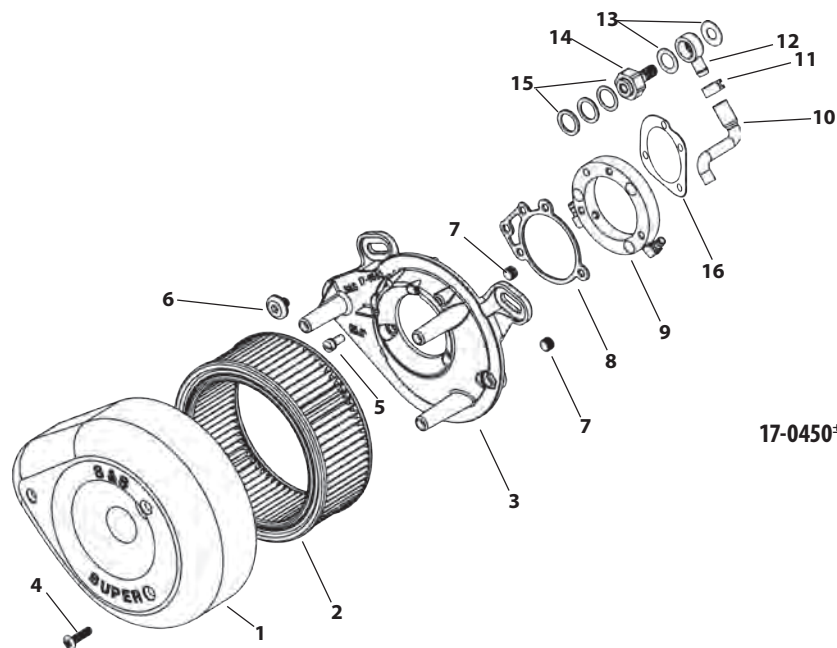


**1993–'06 CARBURETED BIG TWIN MODELS,  
2001 EFI SOFTAIL® MODELS, AND 2002-UP ALL EFI MODELS  
(EXCEPT 2006-UP DYNA®) (OBSOLETE)  
17-0117**

## CONTINUED AIR CLEANER REPLACEMENT PARTS FOR STOCK FUEL SYSTEMS

### 1993-UP (EXCEPT 2008-UP TOURING MODELS) BT STOCK CV AND DELPHI® SINGLE BORE EFI

1. Air cleaner cover					
Chrome .....	<b>17-0378</b> ±	\$158.95			
Gloss Black.....	<b>170-0384A</b>	\$158.95			
Slasher .....	<b>17-0004</b> ±	\$158.95			
2. Element, pleated.....	<b>106-4722</b>	\$23.95			
3. Backplate					
1993–2007 BT.....	<b>106-0907</b>	\$103.95			
4. Cover screw 1305 (each).....	<b>50-0072</b>	\$2.95			
3 pack.....	<b>50-1052</b>	\$3.95			
10 pack.....	<b>50-0094</b>	\$8.95			
Black 902 (each).....	<b>50-0310-S</b>	\$4.95			
3 pack.....	<b>50-0310</b>	\$10.95			
5. Backplate screw					
Zinc Plated (each).....	<b>106-2084</b>	\$2.95			
10 pack.....	<b>106-2105</b>	\$7.95			
6. Screw, air cleaner backplate.....	<b>17-0346</b>	\$5.95			
7. Backplate plug 1/8"-27 45830-48					
each.....	<b>50-8331A</b>	\$2.95			
10 pack.....	<b>50-1015</b>	\$10.95			
8. Gasket, backplate (each).....	<b>106-1724</b>	\$3.95			
10 pack.....	<b>106-2328</b>	\$26.95			
9. Adaptor assembly					
1993-'99 bt.....	<b>106-0881</b>	\$59.95			
10. Hose, vent, breather, formed, .250" x .375" x 1.825", 1993-'07 BT.....	<b>17-0364A</b>	\$5.95			
11. Clamp, spring, 3/16".....	<b>50-8001</b>	\$0.95			
12. Banjo fitting (each).....	<b>17-0350</b>	\$4.95			
2 pack.....	<b>17-0355</b>	\$7.95			
13. Washer, silicone coated steel					
1993-up BT, 1/2" (each).....	<b>50-7055</b>	\$2.95			
10 pack.....	<b>50-7057</b>	\$12.95			
1999-up BT, 1/2" (each).....	<b>50-7054</b>	\$2.95			
10 pack.....	<b>50-7059</b>	\$12.95			
14. Breather screw,					
1993-'98 BT.....	<b>106-0845</b>	\$23.95			
1999-up BT.....	<b>17-0348</b>	\$11.95			
15. Replacement shims					
5/8" x .025" (each).....	<b>50-7113</b>	\$2.95			
10 pack.....	<b>50-7110</b>	\$7.95			
5/8" x .050" (each).....	<b>50-7114</b>	\$2.95			
10 pack.....	<b>50-7111</b>	\$8.95			
5/8" x .075" (each).....	<b>50-7115</b>	\$2.95			
10 pack.....	<b>50-7112</b>	\$11.95			
16. Backplate Gasket 29062-958.....	<b>106-6022</b>	\$3.95			



All reference to HD® Part #s is for identification purposes only. We in no way are implying that any of S&S® Cycle's products are original equipment parts or that they are equivalent to the corresponding HD Part # shown.

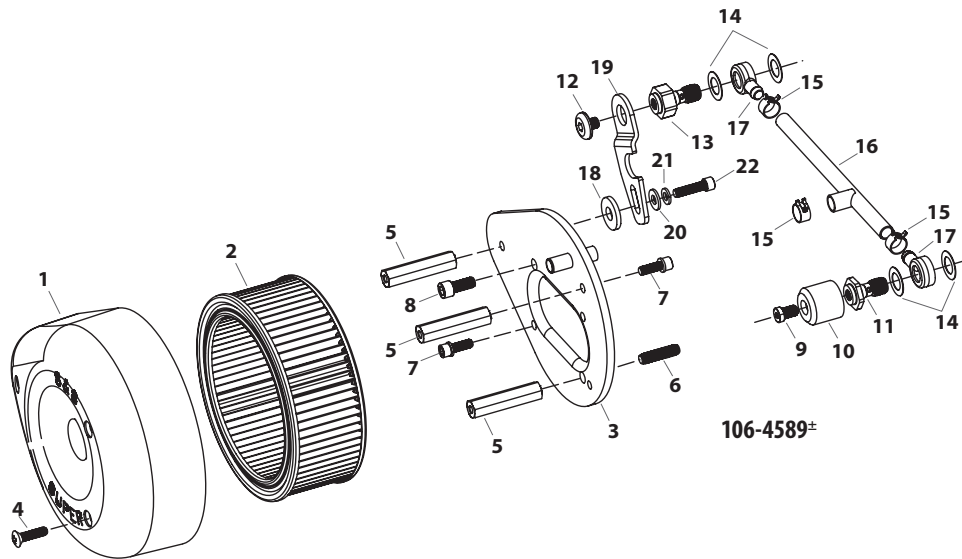
±  WARNING: Cancer and Reproductive Harm — www.P65Warnings.ca.gov

**CONTINUED**  
**AIR CLEANER REPLACEMENT PARTS FOR STOCK FUEL SYSTEMS**

**REPLACEMENT PARTS FOR S&S AIR CLEANER FOR MAGNETI MARELLI® EFI 1995-'01 BIG TWIN**

1. Cover	17-0378±	\$158.95	13. Screw, Breather, +.250" (Rear Head)		
2. Filter	106-4722	\$23.95	1995-'98, ½-13 UNC	106-0845	\$23.95
3. Backplate, Assembly, Air Cleaner, Stock EFI,			1999-'01	17-0348	\$11.95
4. Screw, PHIL/OH ¼-20x1" 1305			14. Washer, flat, Nitrile Rubber Coated, Cold Rolled Steel		
each	50-0072	\$2.95	1995-'98, .520" x .880" x .024"	50-7055	\$2.95
3 pack	50-1052	\$3.95	each	50-7057	\$12.95
10 pack	50-0094	\$8.95	1999-01, .380" x .880" x .024"		
5. Spacer, ½" Hex, Threaded	N/A		each	50-7054	\$2.95
6. Stud, Fully Threaded, ¼-20 x 1.25", Zinc Plated	N/A		10 pack	50-7059	\$12.95
1995-'98	N/A		15. Clamp Spring, 9/16"	50-8001	\$0.95
1999-'01	N/A		16. Hose, Vent Breather,		
7. SHCS, ¼-20 x ¾" SEMS (each)	50-0066	\$1.95	Epichlorohydrin Polymer	USA 17-0339	\$7.95
8. Screw, SHCS,			17. Banjo Fitting (each)	17-0350	\$4.95
1995-'98, ¼-20 x ¾", SEMS 4069A			2 pack	17-0355	\$7.95
each	50-0067	\$2.95	18. Spacer .406" x .975" x .250" (each)	50-7140-S	\$13.95
1999-'01, 5/16-18 x ¾" 3275			19. Bracket, Support, Air Cleaner To Head		
each	50-0302-S	\$0.95	Nickel Plated	106-1285	\$12.95
9. Screw, LSHC 5/16-24, x ½" Stainless Steel			20. Washer, Flat, .281" x .625" x .080", Zinc, Steel		
Front Head	106-2023	\$6.95	6194, 6245, 6703, 6736, 6228W, 6192 (each)	50-7021	\$2.95
10. Cover, Breather Screw, Front Head			21. Washer, Lock, .250" 7035, 7036	50-7019	\$0.95
Chrome, Aluminum	106-2022±	\$31.95	22. Screw, SHCS, ¼-20 x 1 ¼" 4740A, 3482A (each)	50-0008	\$2.95
11. Screw, Backplate Vent, Front Head					
1995-'98, ½-13	17-0347	\$17.95			
1999-01, 5/16-18	17-0345	\$20.95			
12. Screw, Backplate, Rear Head, Socket Panhead					
5/16-24 x .360", Zinc, Alloy Steel	17-0346	\$5.95			

N/A = No longer available



All reference to HD® Part #s is for identification purposes only. We in no way are implying that any of S&S® Cycle's products are original equipment parts or that they are equivalent to the corresponding HD Part # shown.

± ⚠️ WARNING: Cancer and Reproductive Harm – www.P65Warnings.ca.gov

# CLASSIC TEARDROP AIR CLEANER REPLACEMENT PARTS FOR S&S® SINGLE BORE EFI

<b>1.</b> Air Cleaner Cover			
Slasher (slotted chrome) . . . . .	<b>17-0004</b> ±	\$158.95	
Chrome . . . . .	<b>17-0378</b> ±	\$158.95	
Gloss Black (includes black screws) . . . . .	<b>170-0384A</b>	\$158.95	
<b>2.</b> Element, pleated . . . . .	<b>106-4722</b>	\$23.95	
<b>3.</b> Backplate SBFFI			
BT 1999-up . . . . .	<b>17-0120</b>	\$80.95	
S&S 4-1/8" bore engines . . . . .	<b>17-0380</b>	\$104.95	
<b>4.</b> Screw, oval 1/4-20 x 1305 (each) . . . . .	<b>50-0072</b>	\$2.95	
3 pack . . . . .	<b>50-1052</b>	\$3.95	
10 pack . . . . .	<b>50-0094</b>	\$8.95	
<b>5.</b> Backplate screw			
Zinc Plated (each) . . . . .	<b>106-2084</b>	\$2.95	
10 pack . . . . .	<b>106-2105</b>	\$7.95	
Black 902 (each) . . . . .	<b>50-0310-S</b>	\$4.95	
3 pack . . . . .	<b>50-0310</b>	\$10.95	
<b>6.</b> Pipe plug, 1/8, air cleaner backplate (each) . . . . .	<b>50-8331A</b>	\$2.95	
10 pack . . . . .	<b>50-1015</b>	\$10.95	
<b>7.</b> Mounting bracket bolt, hex 5/16-18 x 1 1/4 . . . . .	<b>50-0110</b>	\$0.95	
<b>8.</b> Flat washer, 5/16" x 1/16" 6320, 70907-07, 6016, 6702 . . . . .	<b>50-7034</b>	\$0.95	
<b>9.</b> Shim, .850" x .325" x .400" . . . . .	<b>USA 50-7027</b>	\$4.95	
<b>10.</b> Shim kit for 4 1/8" bore . . . . .	<b>17-0314</b>	\$10.95	
Individual shims:			
5/16" x .018" (each) . . . . .	<b>50-7038</b>	\$2.95	
5/16" x .030" (each) . . . . .	<b>50-7039</b>	\$2.95	
5/16" x .048" (each) . . . . .	<b>USA 50-7040</b>	\$2.95	
5/16" x .105" (each) . . . . .	<b>50-7041</b>	\$2.95	
5/16" x .125" (each) . . . . .	<b>50-7042</b>	\$2.95	
<b>11.</b> Screw, cable guide & air cleaner backplate			
10-24 x 1/4" (each) . . . . .	<b>50-0041</b>	\$2.95	
10 pack . . . . .	<b>50-0062</b>	\$4.95	
<b>12.</b> Shims, individual			
5/8 x 7/8 x .025 (each) . . . . .	<b>50-7113</b>	\$2.95	
10 pack . . . . .	<b>50-7110</b>	\$7.95	
5/8 x 7/8 x .050 (each) . . . . .	<b>50-7114</b>	\$2.95	
10 pack . . . . .	<b>50-7111</b>	\$8.95	
5/8 x 7/8 x .075 (each) . . . . .	<b>50-7115</b>	\$2.95	
10 pack . . . . .	<b>50-7112</b>	\$11.95	
<b>14.</b> Silicone washer, 1/2" ID (each) . . . . .	<b>50-7055</b>	\$2.95	
10 pack . . . . .	<b>50-7057</b>	\$12.95	
<b>15.</b> Silicone washer, 3/8" ID (each) . . . . .	<b>50-7054</b>	\$2.95	
10 pack . . . . .	<b>50-7059</b>	\$12.95	
<b>16.</b> Screw, wide head, 5/16-24 x .36 . . . . .	<b>17-0346</b>	\$5.95	
<b>17.</b> Air cleaner hardware kit (N/S)			
BT 1999-up . . . . .	<b>17-0482</b>	\$20.95	
S&S 4-1/8" bore engines . . . . .	<b>17-0481</b>	\$25.95	
<b>18.</b> Breather vent fitting			
BT 1993-'99 . . . . .	<b>17-0347</b>	\$17.95	
<b>19.</b> Breather fitting (each) . . . . .	<b>17-0350</b>	\$4.95	
2 pack . . . . .	<b>17-0355</b>	\$7.95	
<b>20.</b> Check Valve . . . . .	<b>50-8122</b>	\$11.95	
<b>21.</b> Hose, Vent Breather, Epichlorohydrin Polymer . . . . .	<b>17-0339</b>	\$7.95	
<b>22.</b> Clamp Spring, 3/16" . . . . .	<b>50-8001</b>	\$0.95	
<b>23.</b> Breather hardware for 4 1/8" bore . . . . .	<b>31-2104</b>	\$42.95	
(Not included in air cleaner kit)			
<b>24.</b> Clamp, Spring, .660" . . . . .	<b>50-8076-S</b>	\$0.95	
<b>25.</b> Hose one . . . . .	<b>50-8263-S</b>	\$12.95	
<b>26.</b> Hose two . . . . .	<b>50-8262-S</b>	\$15.95	
<b>27.</b> Clamp, Spring, .440" . . . . .	<b>50-8143-S</b>	\$0.95	
<b>28.</b> Hose, Cut To Size, .1875" x 6", Black, Rubber . . . . .	<b>50-8142AS</b>	\$4.95	

(N/S) = Not Shown

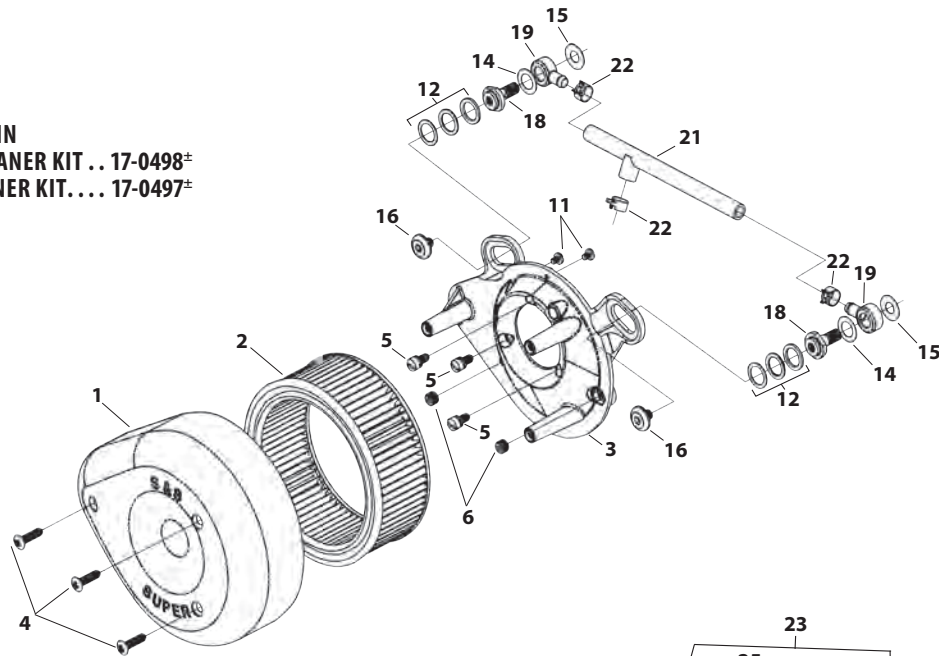
All reference to HD® Part #s is for identification purposes only. We in no way are implying that any of S&S® Cycle's products are original equipment parts or that they are equivalent to the corresponding HD Part # shown.

±  WARNING: Cancer and Reproductive Harm — www.P65Warnings.ca.gov

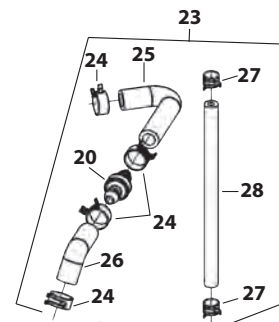
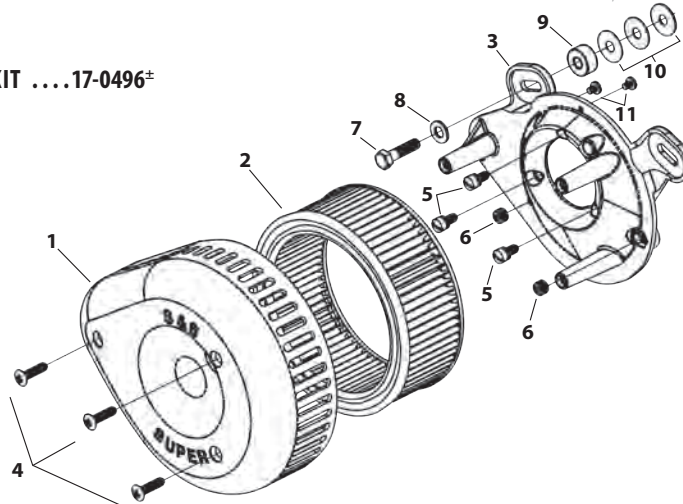
**NOTE**

Breather hardware not included in these air cleaner kits.

**1995½–'99 BIG TWIN  
TEARDROP AIR CLEANER KIT .. 17-0498±  
SLASHER AIR CLEANER KIT.... 17-0497±**



**S&S 4¼" BORE ENGINES  
SLASHER AIR CLEANER KIT ....17-0496±**



± WARNING: Cancer and Reproductive Harm – www.P65Warnings.ca.gov

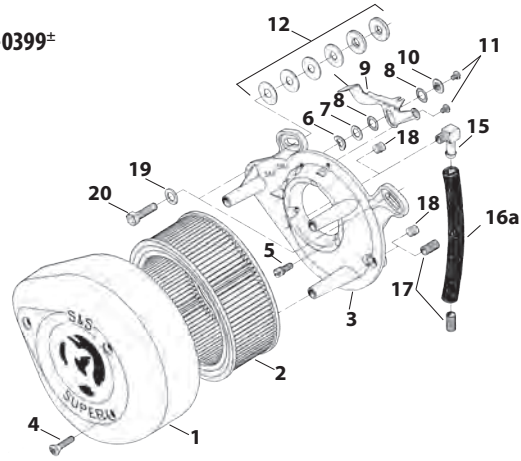
# SUPER E & G AIR CLEANERS REPLACEMENT PARTS FOR 1984–'99 BIG TWINS

- |  |                    |                    |         |
|--|--------------------|--------------------|---------|
| 1. Air cleaner cover –   |                    |                    |         |
| Chrome .....   | <b>17-0378</b> ±   | \$158.95           |         |
| Gloss Black .....  | <b>170-0384A</b>   | \$158.95           |         |
| Slasher .....  | <b>17-0004</b> ±   | \$158.95           |         |
| 2. Element, pleated.....   |                    | <b>106-4722</b>    | \$23.95 |
| Element, pleated carbon .....  | <b>17-0375</b>     | \$52.95            |         |
| 3. Backplate   |                    |                    |         |
| BT 1993–'99.....   | <b>USA 17-0336</b> | \$104.95           |         |
| BT 1984–'92, S&S 4 <sup>1</sup> / <sub>8</sub> " bore Manufactured   |                    |                    |         |
| Prior to 1-1-03 .....  | <b>17-0380</b>     | \$104.95           |         |
| 4 <sup>1</sup> / <sub>8</sub> " Bore – Manufactured  |                    |                    |         |
| After 1-1-03 .....   | <b>USA 17-0387</b> | \$104.95           |         |
| 4. Cover screw 1305 (each) .....   |                    | <b>50-0072</b>     | \$2.95  |
| 3 pack .....   | <b>50-1052</b>     | \$3.95             |         |
| 10 pack .....  | <b>50-0094</b>     | \$8.95             |         |
| Black 902.....   | <b>50-0310-S</b>   | \$4.95             |         |
| 3 pack .....   | <b>50-0310</b>     | \$10.95            |         |
| TÜV style (each) .....   | <b>50-0347-S</b>   | \$2.95             |         |
| 5. Backplate screw, Zinc (each) .....  |                    | <b>106-2084</b>    | \$2.95  |
| 10 pack .....  | <b>106-2105</b>    | \$7.95             |         |
| 6. Fast idle friction washer (each) .....  |                    | <b>50-7035</b>     | \$2.95  |
| 10 pack .....  | <b>50-7058</b>     | \$6.95             |         |
| 7. Fast idle steel washer (each) .....   |                    | <b>50-7037</b>     | \$2.95  |
| 10 pack .....  | <b>50-7061</b>     | \$3.95             |         |
| 8. Fast idle nylon washer (each) .....   |                    | <b>50-7036</b>     | \$2.95  |
| 10 pack .....  | <b>50-7060</b>     | \$3.95             |         |
| 9. Fast idle lever .....   |                    | <b>USA 17-0329</b> | \$9.95  |
| 10. Fast idle brass washer (each) .....  |                    | <b>50-7007</b> ±   | \$2.95  |
| 10 pack .....  | <b>50-7010</b> ±   | \$12.95            |         |
| 11. Fast idle lever screw (one required for current backplate) (each) .....  |                    | <b>50-0041</b>     | \$2.95  |
| 10 Pack .....  | <b>50-0062</b>     | \$4.95             |         |
| 12. Shim kit   |                    |                    |         |
| BT 1984–'92 .....  | <b>17-0314</b>     | \$10.95            |         |
| <i>(Includes two each 5/16" x .018", 5/16" x .030", 5/16" x .048", 5/16" x .105", and four each 5/16" x .125")</i> |                    |                    |         |
| BT 1993–'99.....   | <b>17-0464</b>     | \$17.95            |         |
| <i>(Includes two each 1/2" x .018", 1/2" x .030", 1/2" x .048", 1/2" x .105", and four each 1/2" x .125")</i>      |                    |                    |         |
| 13. Shims  |                    |                    |         |
| a. BT 1984–'92, S&S 4 <sup>1</sup> / <sub>8</sub> " Bore   |                    |                    |         |
| 5/16" x .018" (each) .....   | <b>50-7038</b>     | \$2.95             |         |
| 5/16" x .030" (each) .....   | <b>50-7039</b>     | \$2.95             |         |
| 5/16" x .048" (each) .....   | <b>USA 50-7040</b> | \$2.95             |         |
| 5/16" x .105" (each) .....   | <b>50-7041</b>     | \$2.95             |         |
| 5/16" x .125" (each) .....   | <b>50-7042</b>     | \$2.95             |         |
| b. BT 1993–'99   |                    |                    |         |
| 5/8" x .025" (each) .....  | <b>50-7113</b>     | \$2.95             |         |
| 10 pack .....  | <b>50-7110</b>     | \$7.95             |         |
| 5/8" x .050" (each) .....  | <b>50-7114</b>     | \$2.95             |         |
| 10 pack .....  | <b>50-7111</b>     | \$8.95             |         |
| 5/8" x .075" (each) .....  | <b>50-7115</b>     | \$2.95             |         |
| 10 pack .....  | <b>50-7112</b>     | \$11.95            |         |
| 14. Elbow fitting (each) .....   |                    | <b>50-8110</b>     | \$20.95 |
| 15. Breather fitting (each) .....  |                    | <b>17-0350</b>     | \$4.95  |
| 2 pack .....   | <b>17-0355</b>     | \$7.95             |         |
| 16. Crankcase breather hose  |                    |                    |         |
| a. BT 1984–'92 .....   | <b>17-0113</b>     | \$2.95             |         |
| b. BT 1993–'99 .....   | <b>USA 17-0339</b> | \$7.95             |         |
| 17. Vent hose connector .....  |                    | <b>50-8111</b>     | \$2.95  |
| 18. Backplate plug 1/8"–27 (each) .....  |                    | <b>50-8331A</b>    | \$2.95  |
| 10 pack .....  | <b>50-1015</b>     | \$10.95            |         |
| 19. Flatwasher – 5/16" x 1/16" 6320, 70907-07, 6016, 6702 .....  |                    | <b>50-7034</b>     | \$0.95  |
| 20. Mounting bracket bolt – 5/16"–18 x 1 1/4"  |                    |                    |         |
| 1984–'92, S&S 4 <sup>1</sup> / <sub>8</sub> " Bore .....   | <b>50-0110</b>     | \$0.95             |         |
| 21. Wire tie (N/S) .....   |                    | <b>50-8003</b>     | \$2.95  |
| 22. Hose clamp (N/S) .....   |                    | <b>50-8002</b>     | \$2.95  |
| 23. Air cleaner assembly   |                    |                    |         |
| <i>Includes: Chrome cover, backplate, filter element, and hardware kit.</i>  |                    |                    |         |
| BT 1984–'92 .....  | <b>17-0399</b> ±   | \$263.95           |         |
| BT 1993–'99 .....  | <b>17-0404</b> ±   | \$263.95           |         |
| BT 1984–'05, 4 <sup>1</sup> / <sub>8</sub> " Bore .....  | <b>17-0416</b> ±   | \$263.95           |         |
| 24. Mounting hardware package (N/S)  |                    |                    |         |
| <i>Includes all parts needed to install following style air cleaners:</i>  |                    |                    |         |
| BT 1984–'92.....   | <b>17-0458</b> ±   | \$48.95            |         |
| BT 1993–'99.....   | <b>17-0436</b> ±   | \$53.95            |         |
| BT 1984–'05, 4 <sup>1</sup> / <sub>8</sub> " Bore .....  | <b>17-0460</b> ±   | \$25.95            |         |
| 25. Screw vent fitting, BT 1993–'99 .....  |                    | <b>17-0347</b>     | \$17.95 |
| 26. Screw, air cleaner to head .....   |                    | <b>17-0346</b>     | \$5.95  |
| 27. Washer, .520" silicone coated steel, BT 1993–'99 (each) .....  |                    | <b>50-7055</b>     | \$2.95  |
| 10 pack .....  | <b>50-7057</b>     | \$12.95            |         |
| 28. Shim, .850" x .325" x .400"  |                    |                    |         |
| S&S 4 <sup>1</sup> / <sub>8</sub> " Bore .....   | <b>50-7027</b>     | \$4.95             |         |
| 29. Spring clamps (N/S) .....  |                    | <b>USA 50-8001</b> | \$0.95  |
| 30. Thread insert 1/2"–13 to 5/16"–18 (N/S) (Used on 1992 big twins) .....   |                    | <b>50-8151</b>     | \$6.95  |
| 31. Breather conversion kit BT (N/S) .....   |                    | <b>17-0486</b>     | \$38.95 |
| Convert early S&S air cleaners for 1993–'99 BT with o-ring breather fittings to new style breather hardware.       |                    |                    |         |

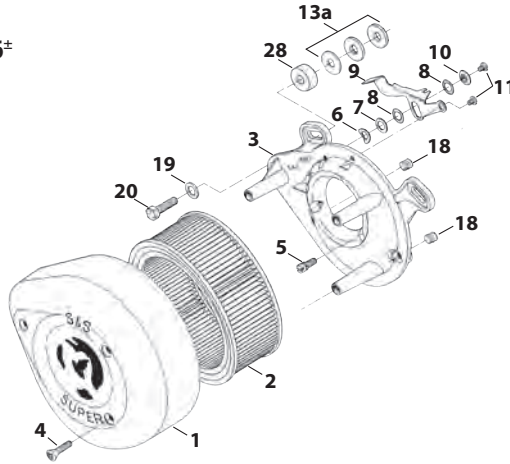
(N/S)= Not Shown



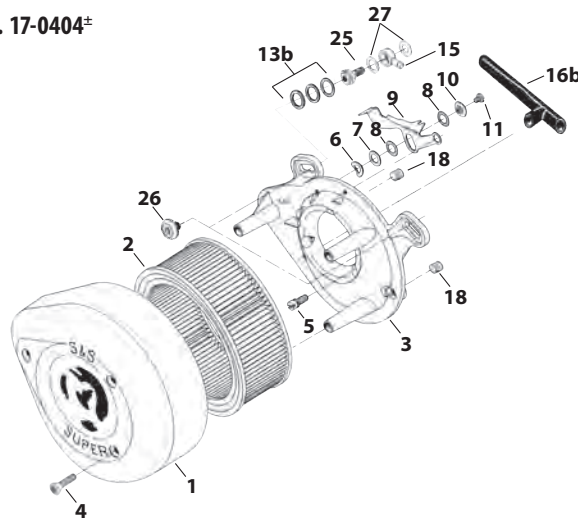
1984-'92 BIG TWIN ..... 17-0399±



1984-'05 BIG TWIN  
4 1/8" BORE ..... 17-0416±



1993-'99 BIG TWIN ..... 17-0404±



Milwaukee  
Eight  
2007-2017  
Twin Cam  
96"/103"/110"  
1999-2006  
Twin Cam 88°  
1986-2019  
Sportster® & Buell®  
2014-2019  
Street &  
Street Rod™

1984-1999  
Evolution®

1926-1984  
Vintage Engines

Indian® &  
Victory® Models

Tools  
& Shop Supplies

Apparel

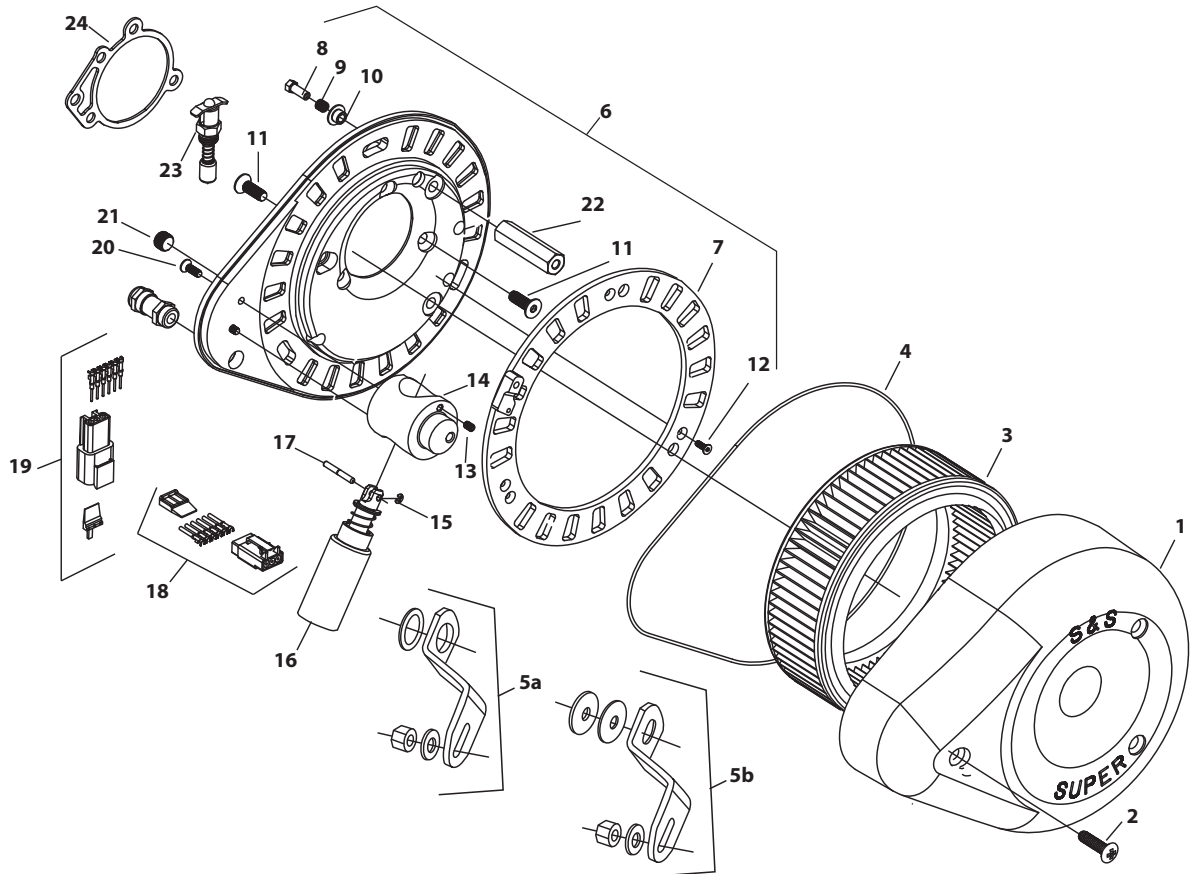
Warranty &  
Company Policy

Appendix  
& Index

# CARB EXEMPT AIR CLEANER REPLACEMENT PARTS FOR S&S SUPER E OR G CARBS

- |  |                            |          |  |                            |         |
|--|----------------------------|----------|--|----------------------------|---------|
| 1. Cover, air cleaner teardrop, chrome.....                    | <b>17-0378<sup>±</sup></b> | \$158.95 | 7. Valve assembly, backplate, sealed air cleaner.....              | <b>N/A</b>                 | -       |
| 2. Screw, phil/oval head ¼ - 20 x 1 1305 (each).....           | <b>50-0072</b>             | \$2.95   | 8. Pin, guide, stainless (each).....                               | <b>17-0086</b>             | \$10.95 |
| 3 pack.....  | <b>50-1052</b>             | \$3.95   | 9. Spring, 5.2 lb/in .24" OD x .208" ID x .25 stainless (each).... | <b>50-0489</b>             | \$10.95 |
| 10 pack.....   | <b>50-0094</b>             | \$8.95   | 10. Washer, flat with .18" step .192" x.500" x .030" (each)....    | <b>106-5772</b>            | \$12.95 |
| 3. Filter, air, sealed air cleaner.....                        | <b>106-1451</b>            | \$78.95  | 11. Screw, FHSC, ¼-20 x ¾" zinc (each).....                        | <b>50-0491</b>             | \$2.95  |
| 4. O-ring, 7.613" x 7.753" x .070" Viton®.....                 | <b>N/A</b>                 | -        | 12. Screw, FHSC 5-40 x ¾" stainless (each).....                    | <b>106-1098</b>            | \$2.95  |
| 5. Bracket Kit, head to backplate.....                         | <b>N/A</b>                 | -        | 13. Screw, SHS set cup point, 8-32 x ¼" stainless (each).....      | <b>106-1648</b>            | \$2.95  |
| a. V96, V100, V113.....  | <b>106-5209</b>            | \$14.95  | 14. Housing, solenoid, aluminum.....                               | <b>N/A</b>                 | -       |
| Includes:  |                            |          | 15. Retaining ring, external E-type ½ shaft stainless.....         | <b>106-3391</b>            | \$2.95  |
| Bracket, V96, V100, V113.....                                  | <b>N/A</b>                 | -        | 16. Solenoid assembly, pull dual coil 12v.....                     | <b>N/A</b>                 | -       |
| Washer, Flat, .281" x .625" x .080", Zinc, Steel               |                            |          | 17. Pin, dowel, grooved .094" x 1" stainless.....                  | <b>106-3275</b>            | \$14.95 |
| 6194, 6245, 6703, 6736, 6228W, 6192 (each).....                | <b>50-7021</b>             | \$2.95   | 18. Connector, kit, style DTM, 3-position male.....                | <b>N/A</b>                 | -       |
| Shim, .625" x .880" x .050", Stainless Steel (each).....       | <b>50-7114</b>             | \$2.95   | 19. Connector, kit, style DTM, 3-position female.....              | <b>N/A</b>                 | -       |
| 10 pack.....   | <b>50-7111</b>             | \$8.95   | 20. Screw, FHSC, 8-32 x ½", stainless 1601 (each).....             | <b>50-0353-S</b>           | \$0.95  |
| Nut, Lock, HH, Gr5, ¼-20.....                                  | <b>N/A</b>                 | -        | 21. Plug, SH pipe, ⅜-27, NPT, zinc 45830-48 (each).....            | <b>50-8331A</b>            | \$2.95  |
| b. V111, V117, V124.....                                       | <b>106-5210</b>            | \$99.95  | 10 pack.....   | <b>50-1015</b>             | \$10.95 |
| Includes:  |                            |          | 22. Stand-off.....   | <b>N/A</b>                 | -       |
| Bracket, V111, V117, V124.....                                 | <b>17-0311</b>             | \$44.95  | 23. Enrichment device.....   | <b>11-2084<sup>±</sup></b> | \$26.95 |
| Washer, Flat, .281" x .625" x .080", Zinc, Steel               |                            |          | 24. Gasket, backplate (each).....                                  | <b>106-1724</b>            | \$3.95  |
| 6194, 6245, 6703, 6736, 6228W, 6192 (each).....                | <b>50-7021</b>             | \$2.95   | 10 pack.....   | <b>106-2328</b>            | \$26.95 |
| Shim, .325" x 1" x .048", Stainless Steel.....                 | <b>50-7040</b>             | \$2.95   |  |                            |         |
| Shim, .325" x 1" x .105", Stainless Steel.....                 | <b>50-7041</b>             | \$2.95   |  |                            |         |
| Nut, Lock, HH, Gr5, ¼-20.....                                  | <b>N/A</b>                 | -        |  |                            |         |
| 6. Backplate Assembly (Backplate assembly includes #7-22)..... | <b>N/A</b>                 | -        |  |                            |         |

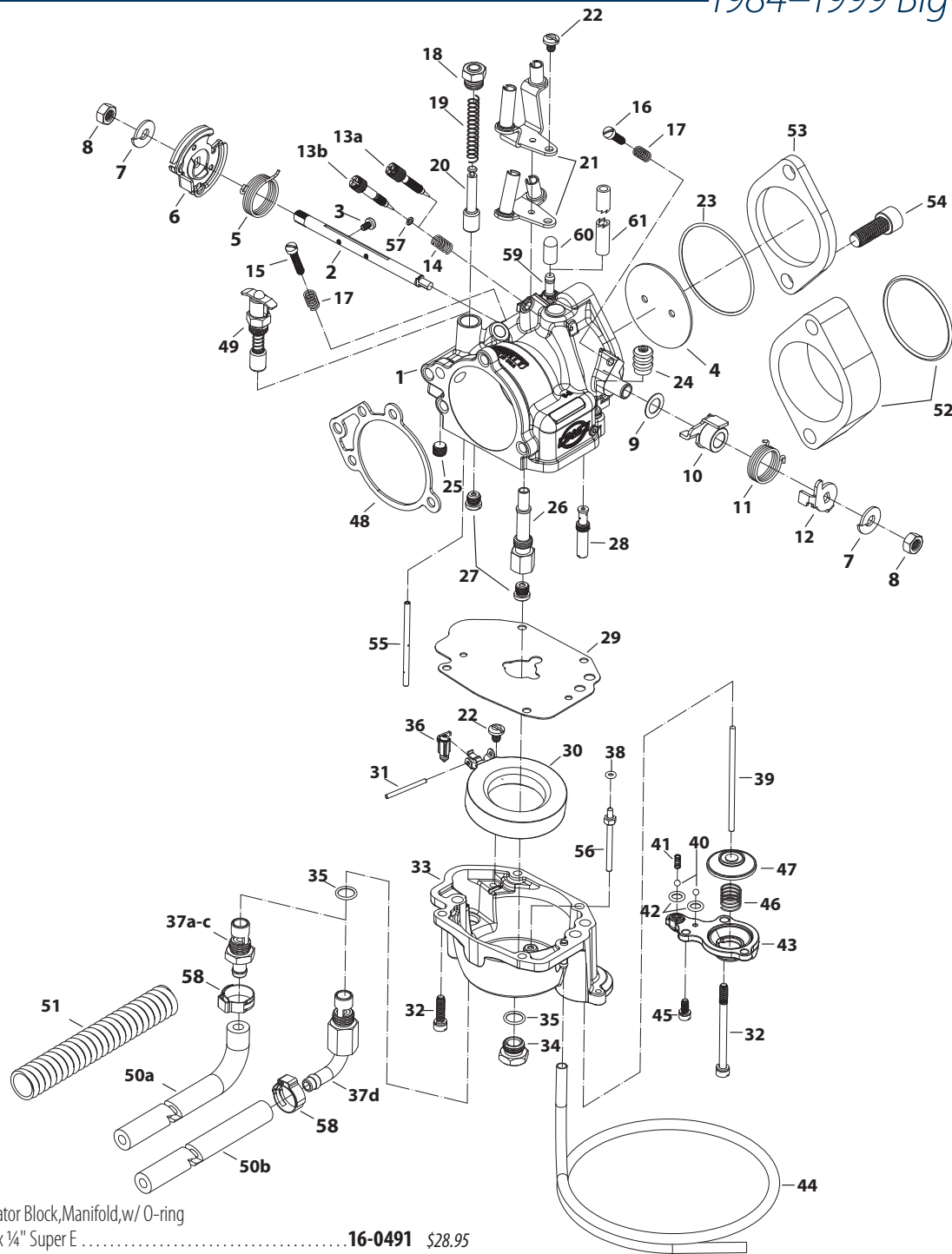
N/A = No longer available



All reference to HD® Part #s is for identification purposes only. We in no way are implying that any of S&S® Cycle's products are original equipment parts or that they are equivalent to the corresponding HD Part # shown.

# SUPER E & G CARBURETOR REPLACEMENT PARTS

1. Carb body assembly			
1 $\frac{7}{8}$ " Super E.....	<b>11-2381<sup>±</sup></b>	\$251.95	
2 $\frac{1}{16}$ " Super G.....	<b>11-2391<sup>±</sup></b>	\$262.95	
2. Throttle shaft			
1 $\frac{7}{8}$ " Super E — Includes two plate screws.....	<b>11-2383</b>	\$24.95	
2 $\frac{1}{16}$ " Super G — Includes two plate screws.....	<b>11-2483</b>	\$21.95	
3. Throttle plate screw 11-2045- (two required) (each).....	<b>50-0055-S</b>	\$2.95	
10 pack.....	<b>50-0064</b>	\$9.95	
4. Throttle plate			
1 $\frac{7}{8}$ " Super E.....	<b>11-2055</b>	\$11.95	
2 $\frac{1}{16}$ " Super G.....	<b>11-2355</b>	\$16.95	
5. Throttle return spring (each).....	<b>11-2382</b>	\$2.95	
5 Pack.....	<b>11-3502</b>	\$7.95	
6. Throttle spool.....	<b>11-2385</b>	\$17.95	
7. Throttle shaft lock washer (two required).....	<b>50-7031</b>	\$2.95	
8. Throttle shaft nut (two required) (each).....	<b>11-2350</b>	\$2.95	
5 pack.....	<b>11-2363</b>	\$7.95	
9. Throttle shaft nylon washer (each).....	<b>50-7050</b>	\$2.95	
10 pack.....	<b>50-7072</b>	\$7.95	
10. Pump actuator lever.....	<b>11-2376</b>	\$9.95	
11. Actuator spring (each).....	<b>11-2375-S</b>	\$2.95	
5 pack.....	<b>11-3501</b>	\$9.95	
12. Pump actuator arm.....	<b>11-2377</b>	\$3.95	
13. Idle mixture screw			
a. Idle mixture screw, brass (each).....	<b>11-2354<sup>±</sup></b>	\$9.95	
5 pack.....	<b>11-2378<sup>±</sup></b>	\$41.95	
b. Idle mixture screw only			
each.....	<b>110-0003</b>	\$11.95	
Idle mixture screw w/ 500-0036 o-ring			
each.....	<b>110-0068<sup>±</sup></b>	\$12.95	
5 pack.....	<b>110-0069<sup>±</sup></b>	\$55.95	
14. Idle mixture screw spring (each).....	<b>11-2052</b>	\$0.95	
10 Pack.....	<b>11-2060</b>	\$7.95	
15. Idle speed screw (each).....	<b>50-0038</b>	\$2.95	
10 Pack.....	<b>50-0150</b>	\$8.95	
16. Pump adjustment screw (each).....	<b>50-0039</b>	\$2.95	
10 Pack.....	<b>50-0146</b>	\$5.95	
17. Idle speed/pump adjuster spring (each).....	<b>11-2048</b>	\$0.95	
10 Pack.....	<b>11-2053</b>	\$7.95	
18. Plunger nut (each).....	<b>11-2344<sup>±</sup></b>	\$3.95	
5 pack.....	<b>11-2372<sup>±</sup></b>	\$13.95	
19. Plunger spring (each).....	<b>11-2340</b>	\$2.95	
10 Pack.....	<b>11-2359</b>	\$10.95	
20. Fast idle plunger.....	<b>11-2343</b>	\$13.95	
21. Cable guide assembly with screw			
Use with butterfly style cables.....	<b>11-2339P</b>	\$27.95	
Use with constant velocity style cables.....	<b>11-2338P</b>	\$27.95	
22. Cable clamp/float pin screw (each).....	<b>50-0041</b>	\$2.95	
10 Pack.....	<b>50-0062</b>	\$4.95	
23. O-ring			
1 $\frac{7}{8}$ " Super E (each).....	<b>50-8016</b>	\$2.95	
10 Pack.....	<b>50-8094</b>	\$10.95	
2 $\frac{1}{16}$ " Super G (each).....	<b>50-8015</b>	\$2.95	
10 Pack.....	<b>50-8093</b>	\$10.95	
24. Bellows seal (each).....	<b>11-2266</b>	\$4.95	
5 pack.....	<b>11-2279</b>	\$18.95	
25. Bowl vent plug (each).....	<b>50-0105</b>	\$2.95	
10 Pack.....	<b>50-0151</b>	\$6.95	
26. Main discharge tube.....	<b>11-2085<sup>±</sup></b>	\$12.95	
27. Main jet — See PAGE 364			
28. Intermediate Jets — See PAGE 364			
Series #94 fits all Super 1 $\frac{7}{8}$ ", 2 $\frac{1}{16}$ " 2 $\frac{1}{4}$ " gas carburetors.			
29. Bowl gasket (each).....	<b>11-2386</b>	\$3.95	
10 Pack.....	<b>11-2387</b>	\$27.95	
30. Float.....	<b>11-2187</b>	\$21.95	
31. Float pin (each).....	<b>11-2369</b>	\$2.95	
5 pack.....	<b>11-2370<sup>±</sup></b>	\$7.95	
32. Bowl screw			
10-24 x $\frac{3}{4}$ " — Three required (each).....	<b>50-0034</b>	\$2.95	
10 Pack.....	<b>50-0063</b>	\$14.95	
10-24 x $\frac{23}{32}$ " — One required (each).....	<b>50-0040</b>	\$2.95	
10 Pack.....	<b>50-0061</b>	\$9.95	
33. Carb bowl (only).....	<b>11-2388<sup>±</sup></b>	\$78.95	
Carb bowl complete assembly.....	<b>11-2388P</b>	\$172.95	
34. Bowl plug (each).....	<b>11-2090</b>	\$3.95	
5 pack.....	<b>11-2092<sup>±</sup></b>	\$12.95	
35. Seat o-ring* (required with part #11-2465 only when replaces 360° style fuel inlet.)			
each.....	<b>50-8009</b>	\$2.95	
10 Pack.....	<b>50-8095</b>	\$13.95	
36. Needle			
1 $\frac{7}{8}$ " Super E & 2 $\frac{1}{16}$ " Super G.....	<b>11-2195<sup>±</sup></b>	\$13.95	
Racing only.....	<b>11-2197<sup>±</sup></b>	\$62.95	
37. Seat — Includes O-ring #35			
(Replaces obsolete seats 11-2347 and 11-2348)			
a. 1 $\frac{7}{8}$ " E & 2 $\frac{1}{16}$ " G (Uses part #11-2195 <sup>±</sup> needle).....	<b>11-2465</b>	\$13.95	
b. Racing only (Uses part #11-2197 <sup>±</sup> needle).....	<b>N/A</b>	—	
c. Racing only — threaded fuel inlet (6AN. 157" ID)			
(Uses part #11-2195 <sup>±</sup> needle).....	<b>11-2395</b>	\$33.95	
d. Permeation Compliant fuel inlet seat Super E or G			
(Uses part #11-2195 <sup>±</sup> needle).....	<b>106-2011</b>	\$25.95	
38. Ejector nozzle o-ring (each).....	<b>50-8011</b>	\$2.95	
10 Pack.....	<b>50-8096</b>	\$9.95	
39. Pump pushrod (each).....	<b>11-2373</b>	\$6.95	
5 pack.....	<b>11-2393</b>	\$25.95	
40. Check ball — (two required) (each).....	<b>50-8090</b>	\$2.95	
10 Pack.....	<b>50-8125</b>	\$5.95	
41. Check ball spring (each).....	<b>11-2374</b>	\$2.95	
5 pack.....	<b>11-2392</b>	\$9.95	
42. Pump cap o-ring — (two required) (each).....	<b>50-8012</b>	\$2.95	
10 Pack.....	<b>50-8100</b>	\$11.95	
43. Pump cap assembly.....	<b>11-2389</b>	\$27.95	
44. Overflow hose per 24" 27369-76 (each).....	<b>19-0262-S</b>	\$5.95	
5 pack.....	<b>19-0263</b>	\$26.95	
45. Pump cap screw 8-32 — (two required) (each).....	<b>50-0042</b>	\$2.95	
10 Pack.....	<b>50-0098</b>	\$5.95	
46. Diaphragm spring (each).....	<b>11-2275</b>	\$2.95	
10 Pack.....	<b>11-2278</b>	\$7.95	
47. Diaphragm.....	<b>11-2282</b>	\$15.95	
48. Gasket, backplate (each).....	<b>106-1724</b>	\$3.95	
10 Pack.....	<b>106-2328</b>	\$26.95	
49. Enrichment device (Use with air horn only).....	<b>11-2084<sup>±</sup></b>	\$26.95	
50. Fuel line"			
a. Fuel line With 90° bend*19" (Use with part #11-2465).....	<b>N/A</b>	—	
b. Permeation Compliant straight, 311" x .563" x 17.5"			
(Use with part #106-2011, 90° seat).....	<b>190-0001</b>	\$8.95	
51. Fuel line insulator — 12" <b>USA</b> 1,2,3.....	<b>19-0172</b>	\$28.95	
52. Spacer, Kit, w/ O-ring			
1 $\frac{7}{8}$ " x 1".....	<b>16-0057*</b>	\$59.95	
2 $\frac{1}{16}$ " x 1".....	<b>16-0357*</b>	\$72.95	
2 $\frac{1}{4}$ " x 1".....	<b>16-0157*</b>	\$69.95	
*Use with 1" Spacer Block.....	<b>16-0058</b>	\$139.95	



- 53. Insulator Block,Manifold,w/ O-ring**
- 17/8" x 1/4" Super E ..... **16-0491** \$28.95
- 17/8" x 3/8" Super E ..... **16-0497** \$28.95
- 2 1/4" x 1/4" Super G ..... **16-0492** \$28.95
- 2 1/4" x 3/8" Super G ..... **16-0498** \$28.95
- 2 1/4" x 1/4" Super D ..... **16-0499** \$41.95
- 54. Screw**
- 1" x 3/8" -16 (each) ..... **50-0161** \$0.95
- 1 1/4" x 3/8" -16 (each) ..... **50-0162** \$2.95
- 10 Pack ..... **50-0177** \$10.95
- 1 3/8" x 3/8" -16 (each) ..... **50-0163** \$3.95
- 5 pack ..... **50-0178** \$11.95
- 2" x 3/8" -16 (each) ..... **50-0164** \$3.95
- 5 pack ..... **50-0185** \$14.95
- 55. Tube, Fast Idle Pick-Up, Super E/G, .125" x 2.350", Brass** ..... **0381F±** \$5.95
- 56. Tube, Ejector Nozzle, Super E/G, Flared, Brass** ..... **106-6124±** \$9.95
- 57. O-ring, 3mm x 5mm x 1mm (each)** ..... **500-0036** \$2.95
- 10 Pack ..... **500-0148** \$7.95

- 58. Clamp, 5/8" - 7/8"** ..... **50-8002** \$2.95
- 59. Hose, Fitting straight, .040"** ..... **16-0134** \$3.95
- 60. VOES Fitting Cap** ..... **50-8372** \$2.95
- 61. VOES/Oil Return Hose** ..... **19-0395** \$3.95

± **WARNING:** Cancer and Reproductive Harm – www.P65Warnings.ca.gov

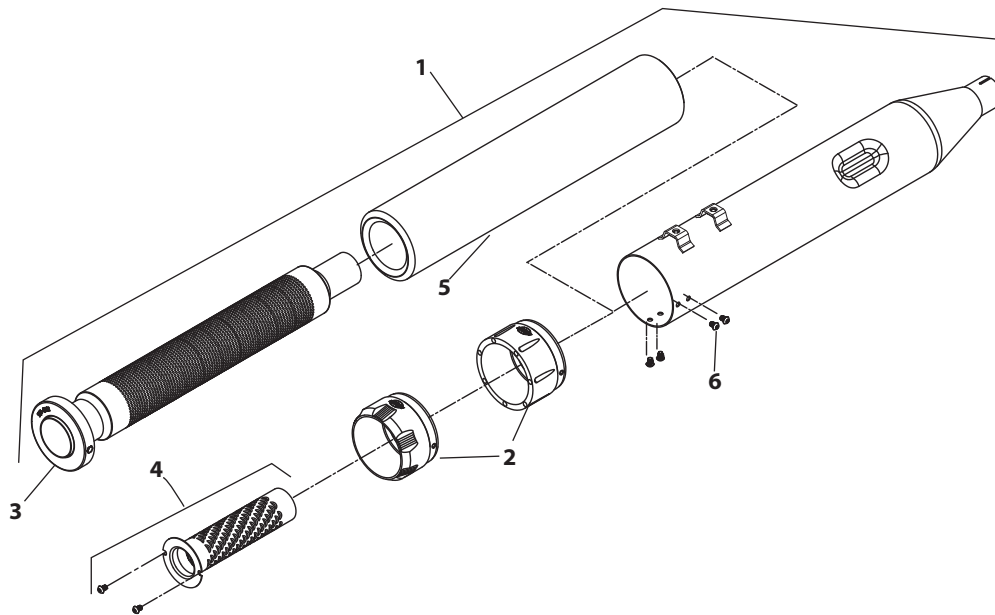
*\*360° banjo style fuel inlet fitting used on early S&S E&G carbs is no longer available. Replace with one of the inlet/seat fittings listed under #37 on this page. We highly recommend inlet/seat #106-2011.*

**CARBURETOR REBUILD KITS**  
**PAGE 364**



# Mk45 4½" MUFFLER REPLACEMENT PARTS

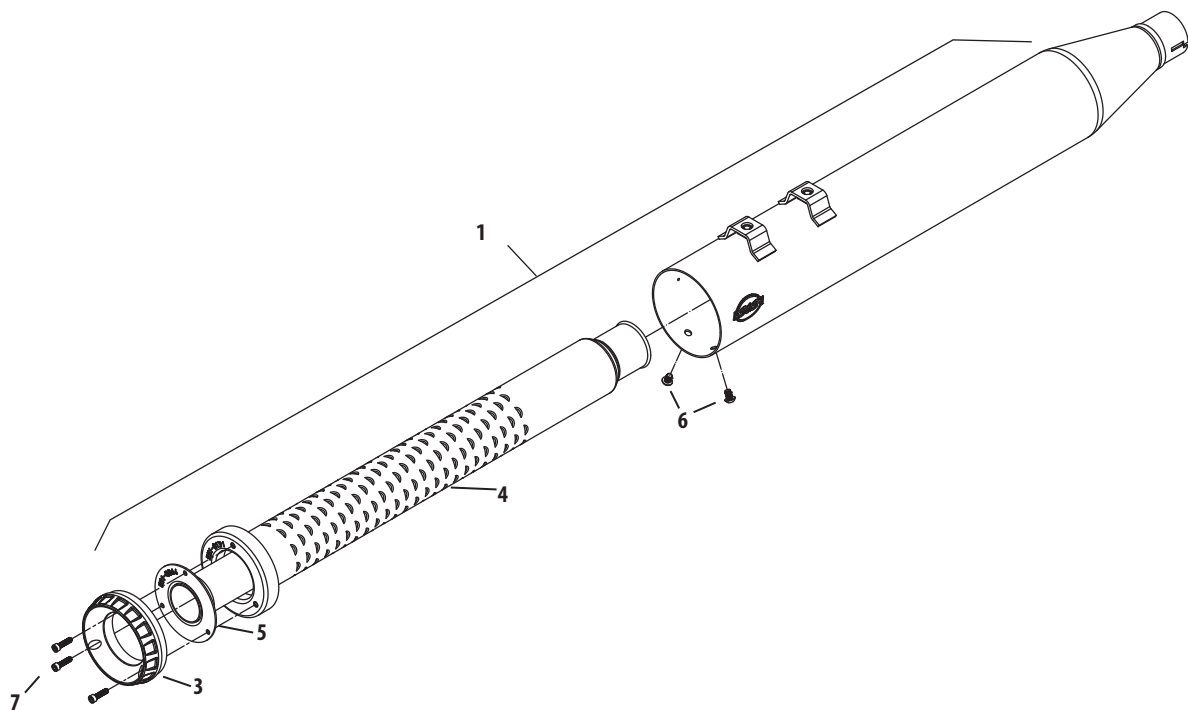
- 1. 4.5" Muffler Assembly
  - Left, Chrome ..... **551-0020**± \$289.95
  - Right, Chrome ..... **551-0021**± \$289.95
  - Left, Black ..... **551-0022** \$354.95
  - Right, Black ..... **551-0023** \$359.95
- 2. End Cap
  - Thruster, Chrome ..... **550-0634A**± \$174.95
  - Thruster, Highlighted Machined ..... **550-0629A** \$159.95
  - Tracer, Chrome ..... **550-0636A**± \$174.95
  - Tracer, Highlighted Machined ..... **550-0632A** \$159.95
- 3. Main Baffle Assembly, 4.5" Muffler ..... **551-0007** \$71.95
- 4. dB reducer ..... **551-0026** \$23.95
- 5. Insulation, 4.5" Muffler ..... **551-0003** \$25.95
- 6. Button Head Cap Screw, Stainless, ¼"-20X¾" ..... **500-0441** \$0.95
- 7. Hardware Kit, Muffler Clamps And Screws (N/S) ..... **551-0027** \$27.95



± WARNING: Cancer and Reproductive Harm – www.P65Warnings.ca.gov

# GRAND NATIONAL 4" REPLACEMENT PARTS

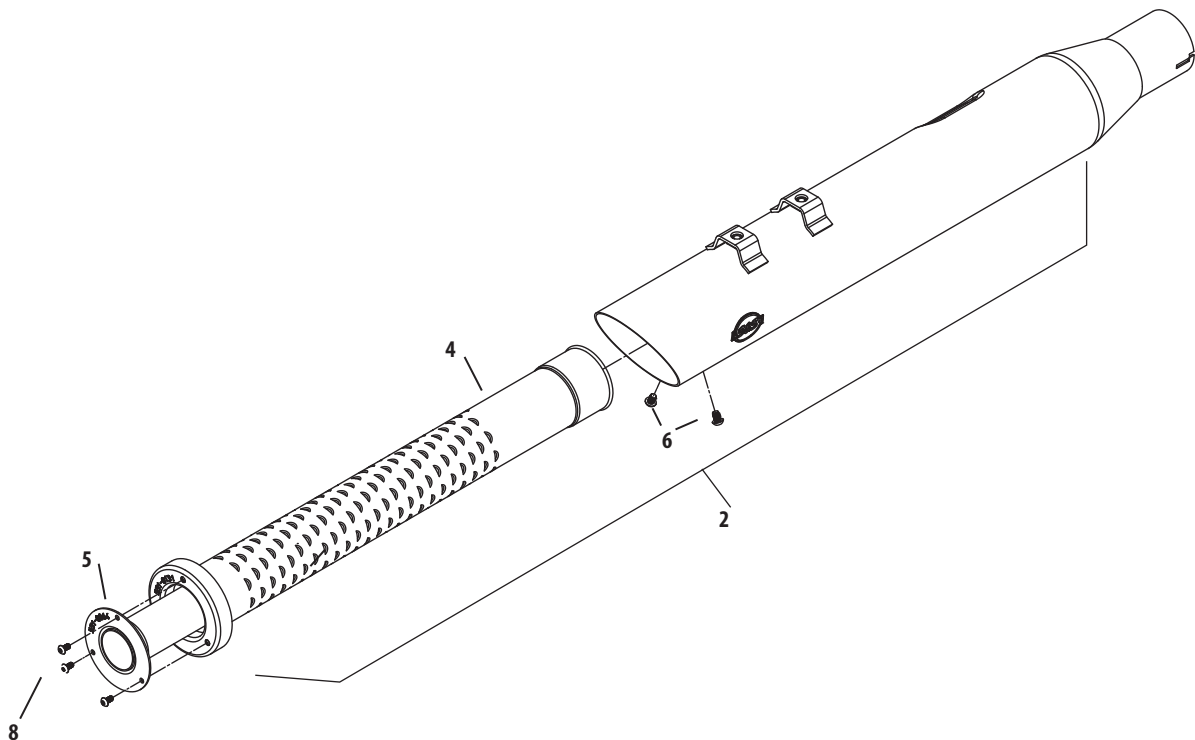
- 1. 4" Muffler assembly with Grand National end cap
  - Left, Chrome . . . . . **551-0055**± \$289.95
  - Right, Chrome . . . . . **551-0056**± \$289.95
  - Left, Black . . . . . **551-0057** \$349.95
  - Right, Black . . . . . **551-0058** \$354.95
- 3. End Cap (Left and Right) . . . . . **551-0291** \$34.95
- 4. Main baffle assembly (Left and Right) . . . . . **551-0053** \$54.95
- 5. dB reducer baffle (Left and Right) . . . . . **551-0063** \$24.95
- 6. Button head cap screw, Stainless, 1/4"-20x3/8" . . . . . **500-0441** \$0.95
- 7. Socket head cap screw, Stainless, 10-32x3/4" . . . . . **500-0569** \$1.95
- 9. Hardware kit, muffler clamps and screws (N/S) . . . . . **551-0027** \$27.95





# SLASH CUT 4" REPLACEMENT PARTS

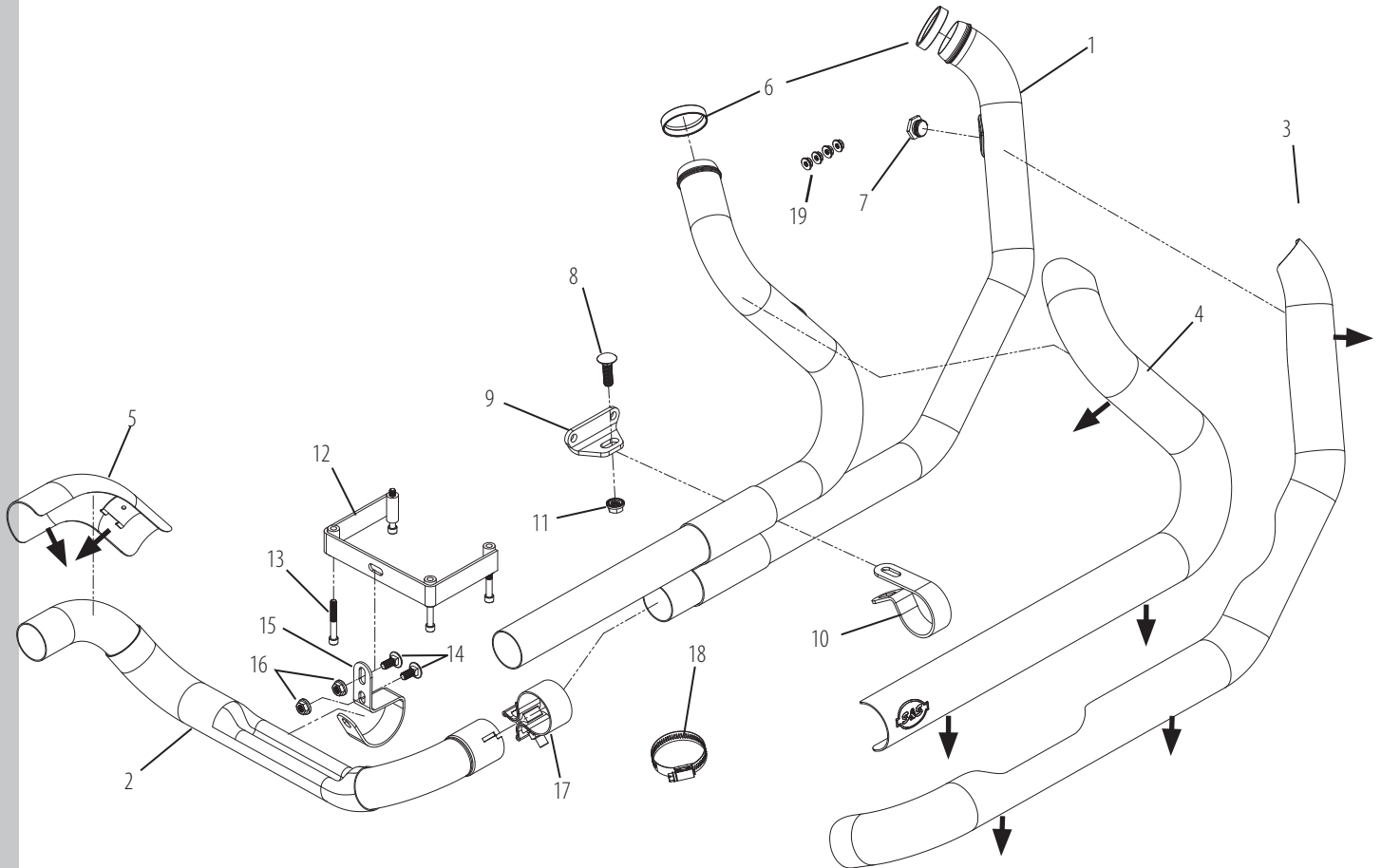
- 2. 4" Muffler assembly Slash Down
  - Left, Chrome..... **551-0059**± \$319.95
  - Right, Chrome..... **551-0060**± \$319.95
  - Left, Black..... **551-0061** \$389.95
  - Right, Black..... **551-0062** \$389.95
- 4. Main baffle assembly (Left and Right)..... **551-0053** \$54.95
- 5. dB reducer baffle (Left and Right)..... **551-0063** \$24.95
- 6. Button head cap screw, Stainless, 1/4"-20x3/8"..... **500-0441** \$0.95
- 8. Button head cap screw, Stainless, 10-32x3/8"..... **500-0570** \$0.95
- 9. Hardware kit, muffler clamps and screws (N/S)..... **551-0027** \$27.95



± WARNING: Cancer and Reproductive Harm – www.P65Warnings.ca.gov

# POWER TUNE® DUAL HEADER REPLACEMENT PARTS

- |   |                  |          |  |                  |         |
|---|------------------|----------|--|------------------|---------|
| 1. Pipe, Header, Power Tune Dual, Weldment, 1999–2008 Touring (1 Req) . . . . .                             | <b>551-0083</b>  | \$249.95 | 11. Nut, Flanged, Serrated, 3/8–16 (1 Req) . . . . .   | <b>500-0554</b>  | \$0.95  |
| 2. Tube, Crossover, Power Tune Dual, Weldment, 1995–2008 Touring (1 Req) . . . . .                          | <b>551-0077</b>  | \$79.95  | 12. Bracket, Assembly, Transmission, Pan, Power Tune Dual, 1995–2008 Touring (1 Req) . . . . . | <b>551-0126</b>  | \$39.95 |
| 3. Shield, Front, Power Tune Dual, 1995–2008 Touring (1 Req)<br>Chrome . . . . .                            | <b>551-0091±</b> | \$209.95 | 13. Screw, SHC, 1/4–20 x 1 7/8", Zinc Plated (4 Req) . . . . .                                 | <b>500-0641</b>  | \$0.95  |
| Black . . . . .   | <b>551-0092</b>  | \$259.95 | 14. Bolt, Carriage, 5/16–18 x 3/4" (2 Req) . . . . .   | <b>500-0555</b>  | \$0.95  |
| 4. Shield, Rear, Power Tune Dual, 1995–2016 Touring (1 Req)<br>Chrome . . . . .                             | <b>551-0103±</b> | \$179.95 | 15. Clamp, P-Style, Crossover, Power Tune Dual Header, 1995–2008 Touring (1 Req) . . . . .     | <b>551-0120</b>  | \$9.95  |
| Black . . . . .   | <b>551-0104</b>  | \$224.95 | 16. Nut, Flanged, Serrated, 5/16"–18 (2 Req) . . . . .   | <b>50-5053-S</b> | \$0.95  |
| 5. Shield, Left, Power Tune Dual, 1995–2016 Touring (1 Req)<br>Chrome . . . . .                             | <b>551-0115±</b> | \$49.95  | 17. Clamp, Muffler, Band Style (1 Req) . . . . .   | <b>551-0028</b>  | \$10.95 |
| Black . . . . .   | <b>551-0116</b>  | \$58.95  | 18. Clamp, Hose, Worm Drive, SAE #28 (8 Req) . . . . .   | <b>551-0124</b>  | \$1.95  |
| 6. Gasket, Exhaust, Tapered, Stainless Steel, 1984–up bt, 1986–up xl 65324-83B, 65324-83A (2 Req) . . . . . | <b>106-5029</b>  | \$4.95   | 19. Nut, HSFH, 5/16–24 7593 . . . . .  | <b>50-5025-S</b> | \$0.95  |
| 7. Plug, M18 x 1.5 Thread (2 Req) . . . . .   | <b>551-0122</b>  | \$9.95   |  |                  |         |
| 8. Bolt, Carriage, 3/8–16 x 1 1/4" (1 Req) . . . . .  | <b>500-0553</b>  | \$0.95   |  |                  |         |
| 9. Bracket, Transmission, Side, Power Tune Duals, 1995–2008 Touring (1 Req) . . . . .                       | <b>551-0125</b>  | \$7.95   |  |                  |         |
| 10. Clamp, P-Style, Power Tune Dual, Side, 1995–2016 Touring (1 Req) . . . . .                              | <b>551-0119</b>  | \$9.95   |  |                  |         |

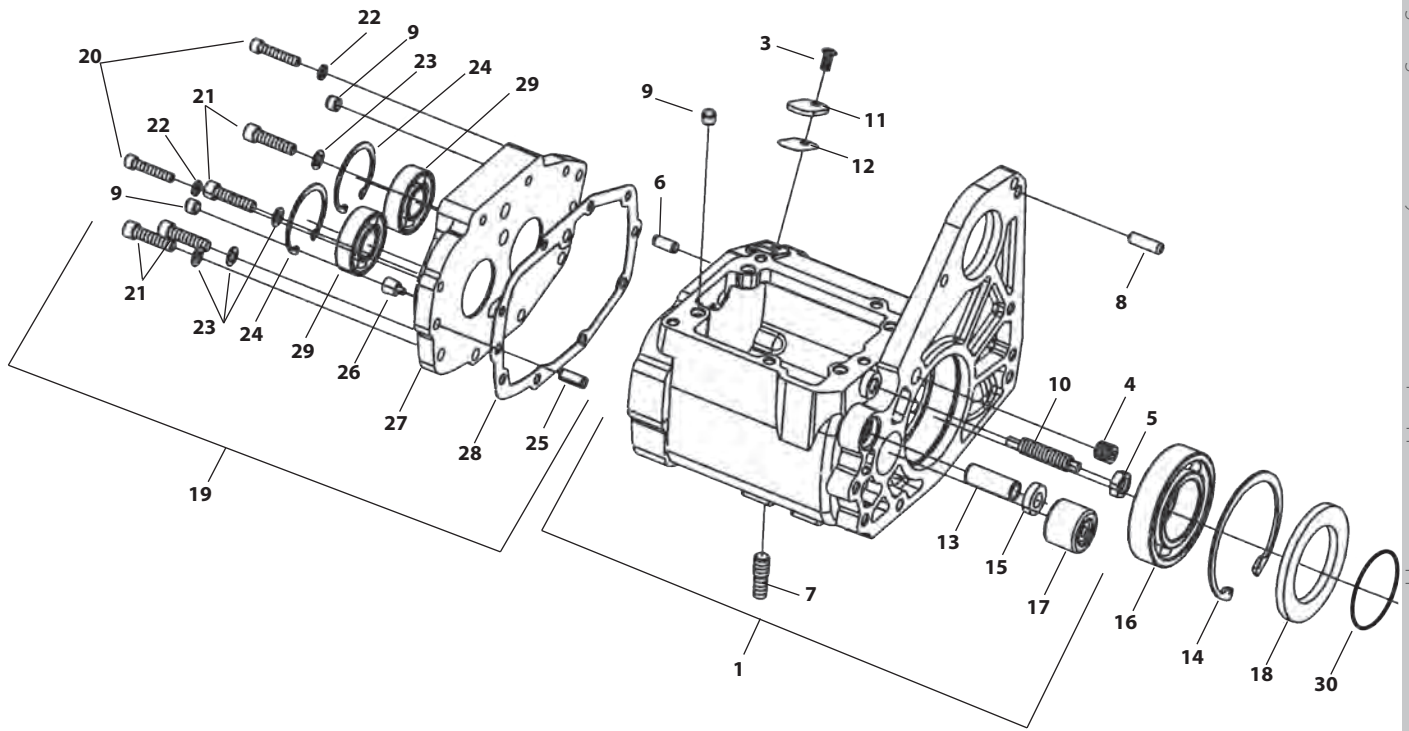


NOTE - Install #18 heat shield clamps with screw heads pointing in direction shown by arrows. →

⚠ WARNING: Cancer and Reproductive Harm – www.P65Warnings.ca.gov

# TRANSMISSION CASES REPLACEMENT PARTS FOR 1986-'99 SOFTAIL® MODELS

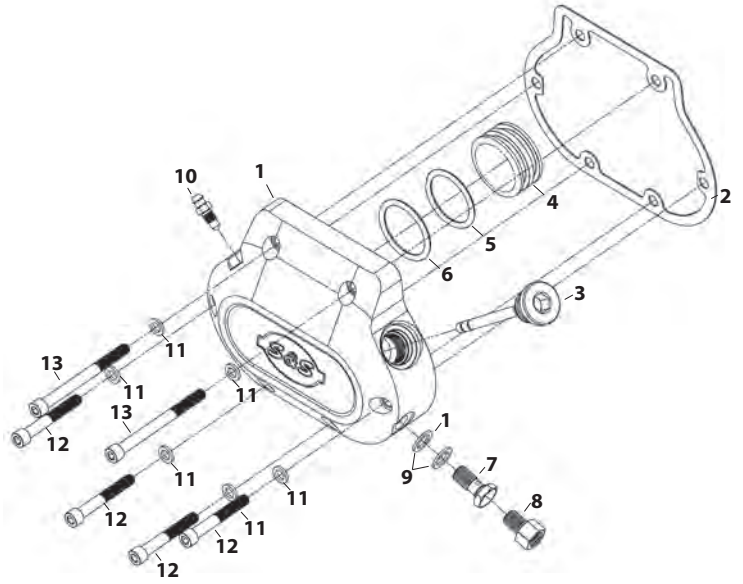
- |  |                          |
|--|--------------------------|
| 1. Transmission case assembly, 5-speed, rigid mount 1986-'99 Harley-Davidson® Softail® | <b>560-0032</b> \$508.95 |
| 2. Case only   | N/A                      |
| 3. Screw, socket buttonhead, 1/4"-20 x 1/2"  | <b>50-0065</b> \$2.95    |
| 4. Set-screw, sockethead, 1/2"-20 x 1/2" (HD® #3784)                                   | <b>50-0203</b> \$8.95    |
| 5. Nut, hex head, 7/16"-14 (each)  | <b>50-5044</b> \$0.95    |
| 6. Pin, dowel, .308" diameter x .70" 375   | <b>50-8029</b> \$2.95    |
| 7. Stud, 3/8"-24, 7/16"-14 x 1.300" 11733A   | <b>50-8084</b> \$5.95    |
| 8. Pin, dowel, 5/16" diameter x 1" 337   | <b>50-8171</b> \$2.95    |
| 9. Pin, roll, 3/8" x .300" 609   | <b>50-8173</b> \$2.95    |
| 10. Screw, shift lever adjustment 33119-79B  | <b>56-1002</b> \$29.95   |
| 11. Cover, speedo sensor hole  | <b>56-1061</b> \$2.95    |
| 12. Gasket, speedo sensor hole cover   | N/A                      |
| 13. Guide, shifter shaft, 5-speed rigid mount 1986-'99 BT 33114-79                     | <b>56-1067</b> \$7.95    |
| 14. Ring, internal retaining, 3.734" O.D. x .109" tru-arc 11161, 11599                 | <b>50-8051</b> \$20.95   |
| 15. Seal, oil - 1984-'99 BT 12045  | <b>56-1064</b> \$5.95    |
| 16. Bearing, transmission output shaft, 1984-'99 BT 8996A                              | <b>56-1280</b> \$66.95   |
| 17. Bearing, transmission countershaft 8977  | <b>56-3031</b> \$32.95   |
| 18. Seal, oil 12067B   | <b>56-3033</b> \$11.95   |
| 19. Door assembly, transmission access, 5-speed 1986-'99 BT                            | <b>56-1027</b> \$304.95  |
| 20. Capscrew, sockethead 1/4"-20 x 1 1/4" 4740A, 3482A each                            | <b>50-0008</b> \$2.95    |
| 21. Capscrew, SH 5/16"-18 x 1 1/4" 3210A   | <b>50-0121</b> \$0.95    |
| 22. Washer, flat - 1/4" x 7/16" x 1/16" (each) 12 pack                                 | <b>50-7017</b> \$2.95    |
| 23. Washer, flat - 5/16" x .545" x .042" (each)  | <b>50-7013</b> \$7.95    |
| 24. Ring, internal retaining, 2.072" O.D. x .062" Tru-Arc 35021-89                     | <b>50-7026</b> \$2.95    |
| 25. Pin, roll - 5/16" x 3/4" 634 (each)  | <b>50-8053</b> \$4.95    |
| 26. Plug, magnetic - 1/8" -27739A  | <b>50-8175</b> \$0.95    |
| 27. Door, transmission access 35258-87C Only 5-speed rigid mount 1986-'99 BT           | <b>50-8334</b> \$10.95   |
| 28. Gasket, transmission access door 35652-79B, 35653-98A                              | <b>56-1025</b> \$235.95  |
| 29. Bearing, transmission access door 8992A, 8998                                      | <b>56-1026</b> \$3.95    |
| 30. O-ring, Quad Seal 11165  | <b>56-3026</b> \$42.95   |
|  | <b>50-8045</b> \$6.95    |



All reference to HD® Part #s is for identification purposes only. We in no way are implying that any of S&S® Cycle's products are original equipment parts or that they are equivalent to the corresponding HD Part # shown.

# CHROME PLATED BILLET TRANSMISSION SIDE COVER REPLACEMENT PARTS

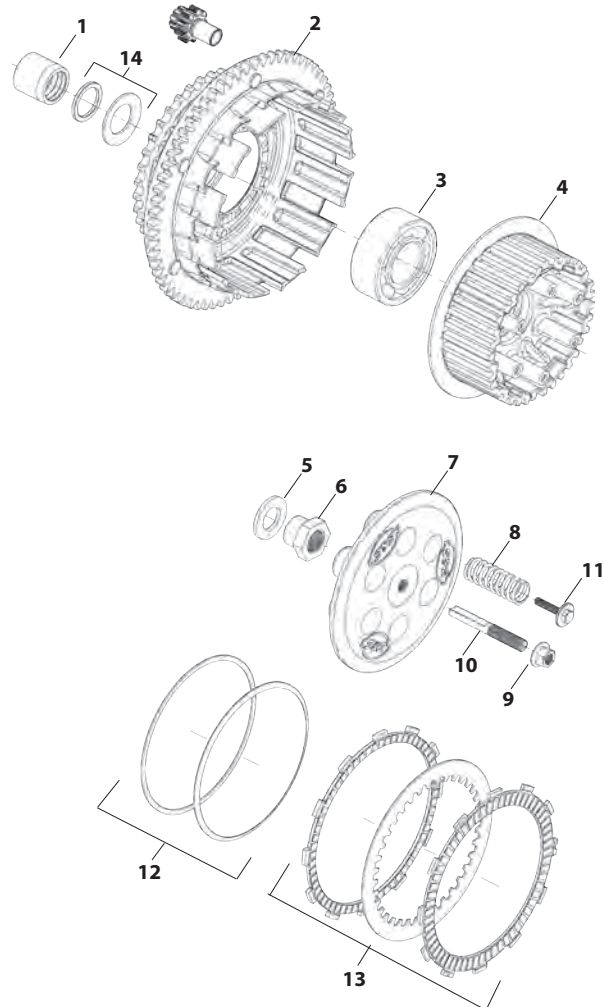
- 1. Hydraulic Clutch Side Cover (Chrome Billet) ..... N/A  
Cable Actuated (Chrome Billet)..... N/A
- 2. Gasket Side Cover (each) ..... N/A
- 3. Dipstick Assembly ..... N/A
- 4. Piston, Hydraulic Clutch (Billet) ..... N/A
- 5. O-ring, 1 1/4 ID x 1/8 CS, Buna-N 70 (each). .... N/A
- 6. O-ring, 1 1/4 ID x 1/8 CS, Viton. .... N/A
- 7. Banjo Bolt 3/8–24 x 3/4..... N/A
- 8. Adapter, Hydraulic Clutch Line ..... N/A
- 9. Crush Washer, Copper .400 ID x .590 OD x .050 ..... N/A
- 10. Valve, Bleed Fitting, 1/4–28 ..... N/A
- 11. Washer, Flat .260 x .420 x .06 Chrome..... **50-7017**± \$2.95  
12 pack ..... **50-7013**± \$7.95
- 12. Screw, Cap Hex SH 1/4–20 UNC x 1.75 Zinc ..... N/A
- 13. Screw, Cap Hex SH 1/4–20 UNC x 2.75 Zinc ..... N/A



± WARNING: Cancer and Reproductive Harm – www.P65Warnings.ca.gov

# HIGH PERFORMANCE CLUTCH REPLACEMENT PARTS

- 1. Race, inner primary bearing, 5/6 speed main shaft  
All 1991-'05 BT and 2006 Harley-Davidson® Softail® models  
..... **56-5089** \$61.95
- 2. Basket,  
Clutch, 36-tooth ..... N/A  
Clutch, 37-tooth ..... N/A
- 3. Bearing, clutch (basket to hub)..... N/A
- 4. Hub, clutch ..... N/A
- 5. Washer, thrust, 19.5 mm I.D. x 35.6 mm O.D. .... N/A
- 6. Nut, mainshaft, clutch hub, 3/4–18 UNS–2B ..... N/A  
(Recommended early style mainshaft nut HD® #37496-84)  
(Recommended late style mainshaft nut HD® #37496-90)
- 7. Plate, pressure - clutch  
Mechanical (3-piece pushrod actuated) ..... N/A
- 8. Spring, pressure plate, clutch  
Light duty, 334 lbs. (6 pack) ..... N/A  
Standard, 370 lbs. .... N/A  
Heavy duty, 408 lbs. (each)..... **56-5106-S** \$25.95
- 9. Nut, flange, M10 x 1.25" ..... N/A
- 10. Screw, clutch adjuster, M10 x 1.25"..... N/A
- 11. Bolt, special, M6 x 30, w/washer ..... **50-8413-S** \$5.70
- 12. Jutter spring with seat..... N/A
- 13. Clutch pack, 11 frictions, 10 steels..... **56-5085-S** \$299.95
- 14. Kit, shim, clutch inner race ..... **56-5090** \$32.95  
Shim, 3/8 speed main shaft  
1.300" O.D. x .960" I.D. x .0075" (36 gauge) thick ..... N/A  
1.300" O.D. x .960" I.D. x .0150" (28 gauge) thick ..... N/A  
1.300" O.D. x .960" I.D. x .0240" (24 gauge) thick ..... N/A  
1.300" O.D. x .960" I.D. x .0470" (18 gauge) thick..... N/A



# VINTAGE MODELS

## **Performance Kits**

84", 86", 88" Stock Bore Stroker Kit.....	417
84" Stroker Hot Set Up Kit.....	420
93" Sidewinder Hot Set Up Kit .....	420
Performance Kit Overview .....	416
Retro Conversion Kit.....	419
Sidewinder Big Bore Kit.....	416
Stock Bore Stroker Kit.....	418
Top End Replacement.....	421

## **Performance Engines**

KN-Series .....	426
P-Series.....	425
SH-Series.....	424

## **Performance Parts**

Air Cleaner Kits .....	414
Camshafts.....	434
Carburetors.....	467
Cylinder Heads.....	449
Cylinders & Pistons .....	443
Crankcases .....	427
Electronics.....	472
Flywheels.....	428
Gaskets .....	475
Gearcovers .....	440
Manifolds.....	464
Oil Pumps .....	433
Pushrods .....	454
Rocker Arms.....	460
Rocker Covers .....	462
Tappets .....	453
Transmission.....	473
Valve Springs.....	459

<b>Replacement Parts.....</b>	<b>478</b>
-------------------------------	------------



# UNIVERSAL STEALTH AIR CLEANER KIT FOR 1936–'92 BIG TWINS AND 1957–'90 SPORTSTER® MODELS

## FITMENT

- 1936-'92 bt case breathing engines equipped with a Super E or G carb
- 1957-'03 Sportster® models case breathing engines equipped with a Super E or G carb

## FEATURES AND BENEFITS

- Increased performance
- Perfect addition with a performance exhaust system
- Filter element can be cleaned and reuse

## KIT CONTENTS

- Backplate
- Air Filter
- All necessary mounting hardware
- Complete instructions



## UNIVERSAL STEALTH AIR CLEANER KIT

Model	Part #	MSRP
1936–'92 big twins, 1957–'90 Sportster® models	<b>170-0176</b>	\$167.95

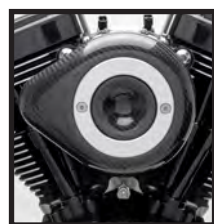
DISCLAIMER: NOT LEGAL FOR SALE OR USE IN CALIFORNIA ON ANY POLLUTION CONTROLLED MOTOR VEHICLE. Not legal for sale or use on any EPA pollution controlled motor vehicle.

# STEALTH AIR CLEANER KIT COVERS INCLUDING THE NEW STEALTH TEARDROP



## STEALTH TEARDROP COVER ONLY

Chrome	<b>170-0530</b>	\$167.95
Gloss Black	<b>170-0531</b>	\$167.95
Slasher – Chrome	<b>170-0532</b>	\$177.95
Slasher – Gloss Black	<b>170-0533</b>	\$177.95



Carbon Fiber



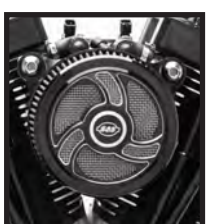
Mini in Chrome



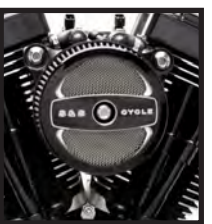
Mini in Gloss Black



Tri-Spoke



Torker



Air 1



Airstream in Chrome



Airstream in Gloss Black



Muscle in Chrome



Muscle in Gloss Black



Bobber-dished

Carbon Fiber	Mini		Tri-Spoke	Torker	Air 1	Bobber-Dished	
Black	Chrome	Gloss Black	Gloss Black w/Highlights	Gloss Black w/Highlights	Gloss Black w/Highlights	Chrome	Wrinkle Black
<b>170-0501</b>	<b>170-0367<sup>±</sup></b>	<b>170-0366</b>	<b>170-0210</b>	<b>170-0206</b>	<b>170-0214</b>	<b>170-0119<sup>±</sup></b>	<b>170-0123</b>
\$299.95	\$167.95	\$167.95	\$157.95	\$157.95	\$157.95	\$125.95	\$125.95

Airstream		Muscle		Displacement			Bobber-Domed	
Chrome	Gloss Black	Chrome	Gloss Black with Highlighted Logo	111	124	143	Chrome	Wrinkle Black
<b>170-0118<sup>±</sup></b>	<b>170-0396</b>	<b>170-0121<sup>±</sup></b>	<b>170-0463</b>	<b>170-0319</b>	<b>170-0321</b>	<b>170-0323</b>	<b>170-0120<sup>±</sup></b>	<b>170-0124</b>
\$157.95	\$157.95	\$178.95	\$178.95	\$171.95	\$171.95	\$171.95	\$125.95	\$125.95

<sup>±</sup> ⚠️ WARNING: Cancer and Reproductive Harm – www.P65Warnings.ca.gov

# CLASSIC TEARDROP AIR CLEANER KITS FOR S&S AND STOCK CARBURETORS

## FITMENT

- 1966-'84 big twins
- 1966-'85 Harley-Davidson® Ironhead Sportster®


## FEATURES AND BENEFITS

- Increased air flow adds 2-5 horsepower (*more with performance exhaust and cams*)
- Easy installation
- S&S chrome teardrop air cleaner looks great

## CLASSIC TEARDROP AIR CLEANER KITS±

Model Year and Engine Style	Super E & G	
<b>Big Twin Models</b>		<i>MSRP</i>
1966-'84 w/5 gl. tanks	<b>17-0440</b>	\$273.95
1966-'84	<b>17-0400</b>	\$273.95
<b>Harley-Davidson® Ironhead Sportster® Models</b>		
1966-'85	<b>17-0400</b>	\$273.95

DISCLAIMER: NOT LEGAL FOR SALE OR USE IN CALIFORNIA ON ANY POLLUTION CONTROLLED MOTOR VEHICLE. Not legal for sale or use on any EPA pollution controlled motor vehicle.

±  WARNING: Cancer and Reproductive Harm – www.P65Warnings.ca.gov

## KIT CONTENTS

- Chrome teardrop cover
- Back plate
- Filter
- Mounting hardware
- Instructions



**REPLACEMENT PARTS:  
SEE PAGE 502**

## TEARDROP AIR CLEANER COVERS

Style	Finish	Part #	MSRP
Mini	Chrome	<b>170-0367±</b>	\$167.95
	Gloss Black	<b>170-0366</b>	\$167.95
Classic Teardrop	Chrome	<b>17-0378±</b>	\$158.95
	Gloss Black	<b>170-0384A</b>	\$158.95
Slasher Teardrop	Chrome	<b>17-0004±</b>	\$158.95
	Gloss Black	<b>170-0419</b>	\$157.95
Nostalgic Teardrop	Polished	<b>17-0071</b>	\$183.95

±  WARNING: Cancer and Reproductive Harm – www.P65Warnings.ca.gov



# PERFORMANCE KIT OVERVIEW FOR VINTAGE HARLEY-DAVIDSON® MODELS

## SIDEWINDER® BIG BORE KITS FOR 1966–'84 BIG TWINS

Sidewinder big bore/stroker kits are available in displacements from 88" to 103". The 3 $\frac{3}{8}$ " bore cylinders are coupled with strokes from 4 $\frac{1}{4}$ " to 5" to yield the various displacements (See page 416). The most popular and highly recommended Sidewinder Kit is the 93" (3 $\frac{3}{8}$ " bore X 4 $\frac{1}{2}$ " stroke). This is also available as a Hot Set Up Kit which includes everything you need to achieve the potential of the increased displacement (See page 420).

## STOCK BORE STROKER KITS FOR 1936–'84 BIG TWINS AND IRONHEAD SPORTSTER®

Stock bore stroker kits were the original solution to attaining more cubic inches back in the day. They are still popular today because of they produce good power for less money. Stock bore strokers reuse most of the components of the stock engine, and don't require expensive crankcase machining so installation is also economical. Stroker kits are available for knuckles, pans, and shovels in 84" to 88" displacement. By far the 84" stroker is the most popular and is available as a Hot Set Up Kit. The Hot Set Up Kit comes with cam, carb pushrods, and valve springs that will allow you to take full advantage of the displacement increase (See page 417). There is a 74" stroker for Ironhead Sportster that has been a favorite since the 1970s (See page 418). Order the basic kit or configure your own Hot Set Up Kit with the CTO number.

## RETRO CONVERSION KIT FOR 1966–'84 BIG TWINS

Give your shovel the nostalgic look of a panhead, gain performance, and upgrade to modern 1984–'99 style hydraulic valve train with one simple to install kit. (See page 419)

## TOP END REPLACEMENT KITS FOR 1966–'84 BIG TWINS

Restore that tired iron with a bolt-on Top End Replacement kit. Kit includes cylinders, pistons, cylinder heads and all gaskets and hardware. Available for 74" and 80" engines. (See page 421)

# SIDEWINDER® BIG BORE KITS FOR 1966–'84 BIG TWIN ENGINES

### FITMENT

- 1966-'84 big twins

### FEATURES AND BENEFITS

- Increase displacement and power
- High strength cast iron cylinders with increased cooling fin area
- Stock like appearance – durable black powder coat finish
- Easy installation
- Long engine life, good dependability



### S&S® SIDEWINDER® BIG BORE KIT SPECIFICATIONS FOR 1966–'84 BIG TWINS

Displacement	Bore	Stroke	Compression Ratio	Cylinder Length	Recommended Cam (Stock Valve Train*)	Recommended Cam (S&S Valve Train**)	Recommended Carb
88"	3 $\frac{3}{8}$ "	4 $\frac{1}{4}$ "	7.5:1	5.330"	S&S 514	S&S 585	Super E
93"	3 $\frac{3}{8}$ "	4 $\frac{1}{2}$ "	8.5:1	5.405"	S&S 514	S&S 585	Super E
93" HC	3 $\frac{3}{8}$ "	4 $\frac{1}{2}$ "	9.1:1	5.363"	S&S 560S	S&S 600	Super E
96"	3 $\frac{3}{8}$ "	4 $\frac{5}{8}$ "	9.1:1	5.440"	S&S 560S	S&S 600	Super E
98"	3 $\frac{3}{8}$ "	4 $\frac{3}{4}$ "	8.9:1	5.530"	S&S 560S	S&S 600	Super E
103"	3 $\frac{3}{8}$ "	5"	9.7:1	5.630"	S&S 560S	S&S 600	Super E or G

\*1966-'84 style cams for valve train with stock style tappets

\*\*1984-'99 style cams for S&S valve train conversion kit with 1984-'99 style tappets

### COMPLETE S&S® SIDEWINDER® KITS FOR SHOVELHEAD ENGINES

Displacement	93"	MSRP	93" HC	MSRP	96"	MSRP	98"	MSRP	103"	MSRP
1966-'69	—	—	—	—	91-9133	\$2,519.95	—	—	—	—
1970-'84	91-9126	\$2,519.95	91-9130	\$2,519.95	91-9134	\$2,519.95	91-9138	\$2,729.95	91-9140	\$2,729.95

DISCLAIMER: NOT LEGAL FOR SALE OR USE IN CALIFORNIA ON ANY POLLUTION CONTROLLED MOTOR VEHICLE. Not legal for sale or use on any EPA pollution controlled motor vehicle. These kits require manifolds, see page 464.



# 84", 86", OR 88" STOCK BORE STROKER KIT

## FEATURES AND BENEFITS

- Increased displacement and power
- Economical – re-use most stock engine components
- Easy installation – like a stock engine rebuild
- Stock appearance

## OPTIONS

- Displacement 84", 86", or 88"
- Cylinder Bore 3<sup>7</sup>/<sub>16</sub>" or 3<sup>1</sup>/<sub>2</sub>"

Optional parts available – cam, prefit cylinder and piston kits, cylinder heads, S&S retro conversion kit (*pan style heads and upgraded valve train*), and S&S valve train upgrade kit



S&S® STOCK BORE STROKER KIT SPECIFICATIONS 1936-'84 BIG TWINS							
Displacement	Bore	Stroke	Compression Ratio		Recommended Cam (Stock Valve Train)	Recommended Cam (S&S® Valve Train)	Recommended Carb
			HC	LC			
84"	3 <sup>7</sup> / <sub>16</sub> "	4 <sup>1</sup> / <sub>2</sub> "	8.4:1	7.3	S&S 450S	S&S 513	Super E
86"	3 <sup>7</sup> / <sub>16</sub> "	4 <sup>5</sup> / <sub>8</sub> "	9.4:1	8.1	S&S 514	S&S 585	Super E
88"	3 <sup>7</sup> / <sub>16</sub> "	4 <sup>3</sup> / <sub>4</sub> "	10.8:1	9.1	S&S 565S	S&S 640	Super E

## STOCK BORE STROKER KITS FOR KNUCKLEHEAD, PANHEAD, & SHOVELHEAD ENGINES

Displacement	84"	MSRP	86"	MSRP	88"	MSRP
1936-'53	<b>32-2219</b>	\$1,322.95	**	–	**	–
1958-'64†	<b>32-2220</b>	\$1,322.95	**	–	**	–
1965-'69	<b>32-2221</b>	\$1,322.95	**	–	**	–
1970-'84	<b>32-2222</b>	\$1,322.95	<b>32-2108</b>	\$1,322.95	–	–
<b>GTO</b>	<b>106-5838</b>	Call for Pricing	<b>106-5838</b>	Call for Pricing	<b>106-5838</b>	Call for Pricing
Custom Flywheels	<b>32-2015</b>	Call for Pricing	<b>32-2015</b>	Call for Pricing	<b>32-2015</b>	Call for Pricing

DISCLAIMER: NOT LEGAL FOR SALE OR USE IN CALIFORNIA ON ANY POLLUTION CONTROLLED MOTOR VEHICLE. Not legal for sale or use on any EPA pollution controlled motor vehicle.

\*\*Available through GTO part #106-5838

†S&S does not offer a pinion shaft for 1954-'57 engines.

**! THESE KITS REQUIRE SPECIAL S&S PISTONS. SEE CHART.**

## FORGED STOCK BORE STROKER PISTONS

Oversize	Standard	MSRP	Low Compression	MSRP
Standard (3 <sup>7</sup> / <sub>16</sub> "	<b>106-5527</b>	\$388.95	<b>920-0073</b>	\$493.95
+.010"	<b>106-5528</b>	\$388.95	<b>920-0075</b>	\$493.95
+.020"	<b>106-5529</b>	\$388.95	<b>920-0077</b>	\$493.95
+.030"	<b>106-5530</b>	\$388.95	<b>920-0079</b>	\$493.95
+.040"	<b>106-5777</b>	\$388.95	<b>920-0081</b>	\$493.95
+.050"	<b>106-5778</b>	\$388.95	<b>920-0083</b>	\$493.95
+.060"	<b>106-5779</b>	\$388.95	<b>920-0085</b>	\$493.95
+.070"	<b>106-5780</b>	\$388.95	<b>920-0087</b>	\$493.95
+.080"	<b>106-5781</b>	\$388.95	<b>920-0089</b>	\$493.95
+.090"	<b>106-5782</b>	\$388.95	<b>920-0091</b>	\$493.95



Mill  
 1986-2019  
 Sportster® & Buell®  
 2014-2019  
 Street® & Street Rod®  
 1984-1999  
 Evolution®  
 1926-1984  
 Vintage Engines  
 Indian® & Victory® Models  
 Tools & Shop Supplies  
 Apparel  
 Warranty & Company Policy  
 Appendix & Index

# STOCK BORE STROKER KITS FOR 1971–'85 HARLEY-DAVIDSON® IRONHEAD SPORTSTER

### FITMENT

- 1972-'85 1000cc Ironhead Sportster models

### FEATURES AND BENEFITS

- Economical – re-use most stock engine components
- More Power – longer stroke and larger displacement

### OPTIONS

- Piston oversize
- S&S Super B or Super E carburetor
- S&S pushrods



32-3055

### S&S® STOCK BORE STROKER KITS SPECIFICATIONS – HARLEY-DAVIDSON® IRONHEAD SPORTSTER® MODELS

Displacement	Stroke	Bore	Compression Ratio	Piston Type*	Cylinder Length	Application
74"	4 $\frac{7}{8}$ "	3 $\frac{3}{16}$ "	9:1	Forged	Stock	Short Trips, Street, & Strip

\*Order pistons separately. See chart below.

### STOCK BORE STROKER KITS FOR HARLEY-DAVIDSON® IRONHEAD SPORTSTER® MODELS

Year	Part #	MSRP
1977-'81	<b>32-3055</b>	\$1,522.95
Custom Flywheels	<b>32-3014</b>	Call for Pricing

Note - Order pistons separately. See chart below.

**! THESE KITS REQUIRE SPECIAL S&S PISTONS. SEE CHART.**



106-5542

### STROKER PISTON KITS FOR 1972-'85 HARLEY-DAVIDSON® SPORTSTER® MODELS

Oversize	+ .010	MSRP	+ .020	MSRP	+ .030	MSRP	+ .060	MSRP
Part #	<b>106-5542</b>	\$388.95	<b>106-5543</b>	\$388.95	<b>106-5544</b>	\$388.95	<b>106-5791</b>	\$388.95

Piston Deck Height = .806". Piston kits include rings, wristpins and keepers.

Recommended Piston Fit: Close: .0030"-.0035" Loose: .0045"-.0055"

## NOTES

- For the best performance, an S&S carburetor, performance cams, and performance exhaust are recommended.
- Due to the increased displacement and compression, cams with longer duration are recommended for easier starting.
- If replacing the pistons in a older 77" stroker engine, stroker plates are required, and all clearances must be checked.

# RETRO CONVERSION KIT FOR 1966–'84 BIG TWINS

## FITMENT

- 1966-'84 big twins
- 1954-'65 big twins with shovel cylinders

## FEATURES AND BENEFITS

- Gives a shovel engine the retro look of a pan
- S&S heads improve performance with increased air flow
- Quiet, dependable valve train with hydraulic tappets

## OPTIONS

- Stock or 3 $\frac{3}{8}$ " bore
- Dual spark plugs available on 3 $\frac{3}{8}$ " bore heads
- Internal or external oil returns



## RETRO CONVERSION KITS FOR 1954–1984 BIG TWINS

Application	Bore	Option	Part #	MSRP
1966-'84 bt S&S SH-Series	Stock	Single Plug	<b>106-1070</b>	\$2,729.95
	3 $\frac{3}{8}$ "	Single Plug	<b>106-1071</b>	\$2,729.95
		Dual Plugs	<b>106-1078</b>	\$2,834.95

DISCLAIMER: NOT LEGAL FOR SALE OR USE IN CALIFORNIA ON ANY POLLUTION CONTROLLED MOTOR VEHICLE. Not legal for sale or use on any EPA pollution controlled motor vehicle.  
These kits have internal oil drains.

LATE STYLE CAM RECOMMENDATIONS FOR SHOVELHEAD ENGINES WITH RETRO CONVERSION KIT						
Application	RPM Range	Compression Ratio	If You Used...	Then Use...	Generator Style	Alternator Style
74" - Stock 84" low compression	Low - Mid	8.5 and below	S&S 450 or Andrews® J or A	S&S 513	<b>106-6028</b>	<b>106-6027</b>
74" and 80" - Modified	Mid - High	8.5 - 9.5	S&S 514 or Andrews #3 or B	S&S 585	<b>33-5131</b>	<b>33-5109</b>
84" - 93"	Low - Mid	8.0 - 9.0	S&S 514	S&S 585	<b>33-5131</b>	<b>33-5109</b>
93" HC - 103"	Mid - High	9.0 - 10.0	S&S 495 or 560S	S&S 600	<b>33-5132</b>	<b>33-5058</b>
High Compression	High	Over 10.0	S&S® 495 or 565S	S&S® 640	-	<b>33-5108</b>

## NOTES

The S&S Retro Conversion Kit requires that a 1984-'99 style cam be used to ensure correct valve timing due to the roller size on the late style tappets use in the kit. 1970-'77 stock engines will also require a 1978-'87 style pinion gear to mate with the late style cam gear. 1966-'69 engines or other engines with generator style crankcases will require a special generator style cam with 1984-'99 style lobes. See chart for recommendation. 1979-'84 o-ring style pushrod covers are required; S&S part #93-4040 or equivalent.

**REPLACEMENT PARTS:  
SEE PAGE 490**

Milwaukee  
Eight  
2007-2017  
Twin Cam  
96"/103"/110"  
1999-2006  
Twin Cam 88"  
1986-2019  
Sportster® & Buell®  
2014-2019  
Street® &  
Street Rod®  
1984-1999  
Evolution®  
1926-1984  
Vintage Engines  
Indian® &  
Victory® Models  
Tools  
& Shop Supplies  
Apparel  
Warranty &  
Company Policy  
& Index

# 93" SIDEWINDER® HOT SET UP KIT® FOR 1966–'84 BIG TWIN ENGINES

### FITMENT

- 1966-'84 big twin engines

### FEATURES AND BENEFITS

- Yields 93 cubic inches with an approximate compression ratio of 8.5:1
- 4½" stroker flywheels assembled with mainshafts and rod
- 3⅝" bore cylinders and pistons
- S&S 514 cam kit, valve springs, adjustable chromoly pushrods
- S&S Super E carb kit



32-2266

### S&S® SIDEWINDER® HOT SET UP KIT SPECIFICATIONS FOR 1966–'84 BIG TWINS

Displacement	Bore	Stroke	Compression Ratio	Cylinder Length	Recommended Cam (Stock Valve Train*)	Recommended Cam (S&S Valve Train**)	Recommended Carb
93"	3⅝"	4½"	8.5:1	5.405"	S&S 514	S&S 585	Super E

**! CRANKCASES & CYLINDER HEADS MUST BE BORED TO ACCEPT S&S® SIDEWINDER BIG BORE CYLINDERS.**

### 93" SIDEWINDER® HOT SET UP KIT® FOR 1966–'84 SHOVELHEAD ENGINES‡

Model Year	Kit Number	MSRP
1966-'69	<b>32-2265</b>	\$3,359.95
1970-'72	<b>32-2266</b>	\$3,359.95
1973-'77	<b>32-2267</b>	\$3,359.95
1978-'84	<b>32-2268</b>	\$3,359.95

DISCLAIMER: NOT LEGAL FOR SALE OR USE IN CALIFORNIA ON ANY POLLUTION CONTROLLED MOTOR VEHICLE. Not legal for sale or use on any EPA pollution controlled motor vehicle.

‡ **! WARNING:** Cancer and Reproductive Harm – www.P65Warnings.ca.gov

# 84" STROKER HOT SET UP KIT® FOR STOCK BORE PANHEAD AND SHOVELHEAD ENGINES

### FITMENT

- 1955–'65 & 1966–'84 Big Twin Engines

### FEATURES AND BENEFITS

- Healthy increases in torque and horsepower
- No complicated machining

### 84" STROKER HOT SET UP KITS® FOR STOCK BORE PANHEAD & SHOVELHEAD ENGINES‡

Model Year	Part #	MSRP
1955*-'64	<b>32-2284</b>	\$2,309.95
1965	**	—
1966-'69	<b>32-2286</b>	\$2,309.95
1970-'77	<b>32-2287</b>	\$2,309.95
1978-'84	<b>32-2289</b>	\$2,309.95
<b>CTO</b>	<b>106-5838</b>	Call for Pricing

DISCLAIMER: NOT LEGAL FOR SALE OR USE IN CALIFORNIA ON ANY POLLUTION CONTROLLED MOTOR VEHICLE. Not legal for sale or use on any EPA pollution controlled motor vehicle.

\*Note: 1955–57 cases require modification to accept 1.250" Pinion Bearing

\*\*Available through CTO part #106-5838

‡ **! WARNING:** Cancer and Reproductive Harm – www.P65Warnings.ca.gov



32-2289

### FORGED STOCK BORE STROKER PISTON KITS

Oversize	Piston Kit	MSRP
Standard	<b>106-5527</b>	\$388.95
+ .010"	<b>106-5528</b>	\$388.95
+ .020"	<b>106-5529</b>	\$388.95
+ .030"	<b>106-5530</b>	\$388.95
+ .040"	<b>106-5777</b>	\$388.95
+ .050"	<b>106-5778</b>	\$388.95
+ .060"	<b>106-5779</b>	\$388.95
+ .070"	<b>106-5780</b>	\$388.95
+ .080"	<b>106-5781</b>	\$388.95
+ .090"	<b>106-5782</b>	\$388.95

Piston kits include two pistons, rings, wristpins, and keepers

Wristpin Deck Height: 1.100"

**! THESE KITS REQUIRES SPECIAL S&S PISTONS. SEE CHART.**

# TOP END REPLACEMENT KITS FOR 1966–'84 BIG TWIN ENGINES

## FITMENT

- 1966–'84 Big Twin Engines

## FEATURES AND BENEFITS

- Provide everything you need to replace the top end of a 74" or 80" shovelhead engine.
- S&S top end kits for shovelheads include a set of S&S Super Stock® cylinder heads, a pair of S&S® stock bore cylinders (37/16" for 74" and 31/2" for 80"), S&S 8:1 compression forged pistons, complete with rings and wristpins, manifold clamps, manifold seals, all required hardware, and gaskets.
- 74" top end kits include S&S 106-5495 series 33/32" stroke pistons and o-ring style cylinder heads.
- Top end kits for 80" engines include the S&S 106-5511 series 41/4" stroke pistons and rubber band style cylinder heads. Pistons are pre-fit to the cylinders

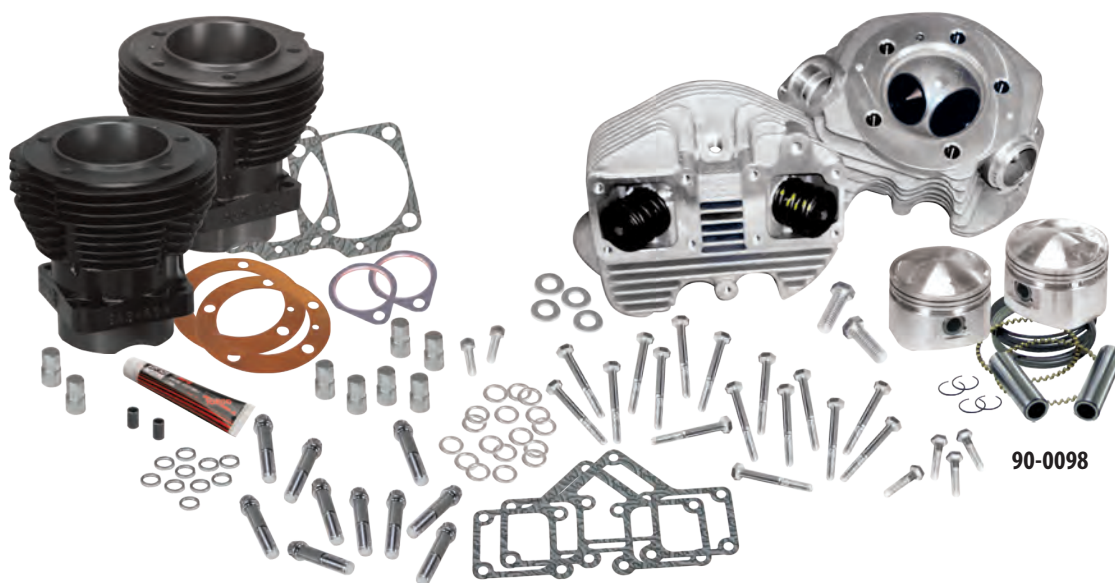
### TOP END REPLACEMENT KITS FOR STOCK DISPLACEMENT SHOVELHEAD ENGINES

Displacement	Model Year	Stroke	Compression	High Temp Gloss Finish	
				Part #	MSRP
74"	1966-'78	33/32"	8:1	<b>90-0097</b>	\$2,519.95
80"	1979-'84	41/4"	8:1	<b>90-0098</b>	\$2,519.95

DISCLAIMER: NOT LEGAL FOR SALE OR USE IN CALIFORNIA ON ANY POLLUTION CONTROLLED MOTOR VEHICLE. Not legal for sale or use on any EPA pollution controlled motor vehicle.

## NOTES

74" engines have a stroke of 33/32", and 80" shovelhead engines have a 41/4" stroke, but the cylinder length for both engines is the same. The 74" piston is taller than the 80" piston; piston deck heights of the two pistons are designed for the same piston to head clearance in both engines. While it is possible to install an 80" top end on a 74" engine, this will result in very low compression and poor performance. A 74" top end will bolt to an 80" crankcase, but, the pistons will contact the cylinder head due to the combination of the taller 74" pistons and the longer stroke of the 80" flywheels. Therefore, it is important to correctly identify the stroke of the engine before ordering a top end kit.



Top it off with S&S billet rocker boxes. See page 462.

Order 608-627-1497

## ENGINE OVERVIEW

S&S offers performance engines in a variety of displacements for 1936–'84 Harley-Davidson® OHV big twins, that provide a vintage vibe and modern muscle. These engines have a deceptively stock appearance, but feature larger displacement and updated internal components for improved performance and reliability. Engineering grade cast iron cylinders are protected with a durable powder coat finish.

### 1966–'84 BIG TWINS

#### **SH93 (93 CID)**

An excellent upgrade option to replace a worn out Harley-Davidson® shovelhead engine, or to power a retro custom. The SH93 provides a significant increase in power over stock 74" or 80" engines, and since it runs well on pump gas, it's a great daily driver. Available with generator, alternator, or alt/gen crankcases.

#### **SH93H (93 CID HIGH COMPRESSION)**

The SH93H is a higher compression version of the SH93. It features dual plugged cylinder heads to control knock, and a more aggressive cam to take advantage of the higher compression. Alternator style crankcases only. Complete with S&S Super E Carb and ignition.

#### **SH103 (103 CID)**

The SH103 is the largest engine S&S offers for 1970–'84 chassis. This engine will require frame clearancing when installed in a stock chassis. Available with alternator style crankcases only. Complete with S&S Super E Carb and ignition.

### 1948–'65 BIG TWINS

#### **P74 (74 CID)**

The P74 engine is preferred by some riders as a replacement engine for bikes with stock drive train that may not be able to take the power of a larger engine. Timken® sprocket shaft bearing makes this engine more reliable. Available with generator style crankcases only. Complete with S&S Super E Carb and ignition.

#### **P93 (93 CID)**

An excellent upgrade option to replace a worn out Harley-Davidson® panhead engine, or to power a retro custom. The P93 provides a significant increase in power over stock 74" engines, and since it runs well on pump gas, it's a great daily driver. Available with generator, alternator, or alt/gen crankcases.

#### **P93H (93 CID HIGH COMPRESSION)**

The P93H is a higher compression version of the P93. It features dual plugged cylinder heads to control knock, and a more aggressive cam to take advantage of the higher compression. Alternator/generator style crankcases only. Complete with S&S Super E Carb and ignition.

#### **P103 (103 CID)**

The P103 is the largest engine S&S offers for 1970–'84 chassis. This engine will require frame clearancing when installed in a stock chassis. Available with alternator style crankcases only. Complete with S&S Super E Carb and ignition. Complete with S&S Super E Carb and ignition.

### 1936–'47 OHV BIG TWINS

#### **KN74 (74 CID)**

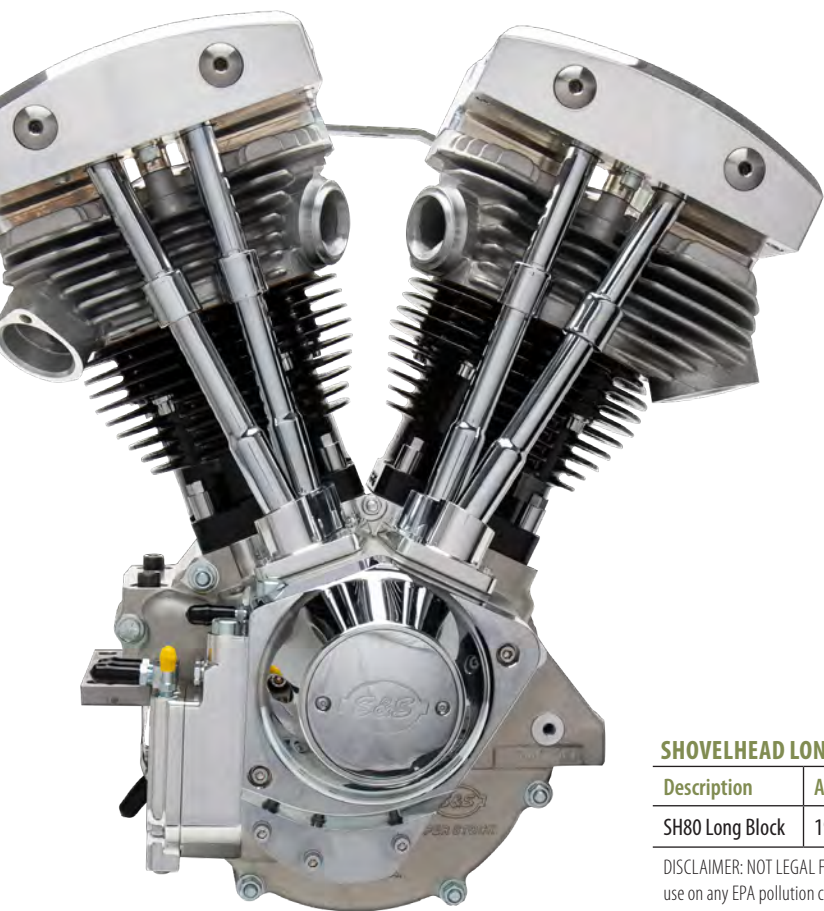
The KN74 is a stock displacement engine favored by riders replacing an engine in a chassis with stock drive train that may not handle the increased power of a larger engine. Timken® sprocket shaft bearing makes this engine more reliable. Available with generator style crankcases only. Complete with S&S Super E Carb and ignition.

#### **KN93 (93 CID)**

An excellent upgrade option to replace a worn out Harley-Davidson® knucklehead engine, or to power a retro custom. The KN93 provides a significant increase in power over stock 74" or 61" engines, and since it runs well on pump gas, it's a great daily driver. Available with generator, alternator, or alt/gen crankcases.

# SH-LONG BLOCK

1970–'99 STOCK CHASSIS WITH ALTERNATOR STYLE PRIMARY



## FEATURES & BENEFITS

- Natural crankcases and black powder coated cylinders
- S&S hydraulic valve train and roller rockers
- Sold without ignition, carb, manifold and air cleaner – Save money by using what you have
- Stock spec H-grind cam
- Billet gearcover
- 3½" Bore
- 4¼" Stroke
- 2 year warranty

## SHOVELHEAD LONG BLOCK

Description	Application	Part #	MSRP
SH80 Long Block	1970-'99 stock chassis with alternator style primary	<b>310-0975</b>	\$6,509.95

DISCLAIMER: NOT LEGAL FOR SALE OR USE IN CALIFORNIA ON ANY POLLUTION CONTROLLED MOTOR VEHICLE. Not legal for sale or use on any EPA pollution controlled motor vehicle.



# SH-SERIES ENGINES FOR 1966-'99 CHASSIS

## FITMENT

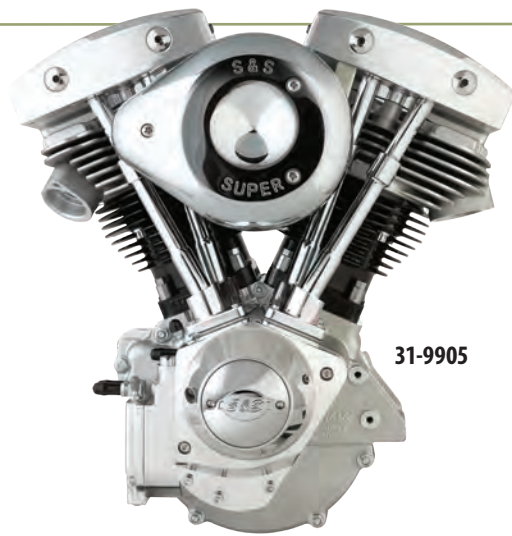
- 1966-'69 stock chassis electric start with alloy primary – flat side gearcover and flat timer cover- available through CTO
- 1970-'99 stock chassis with alternator style primary
- 1970-'99 alternator/generator and alternator custom versions custom bikes with 1970-'99 alternator style primary

## FEATURES AND BENEFITS

- Natural crankcases and black powder coated cylinders
- S&S hydraulic valve train and roller rocker arms
- S&S Super Stock™ single fire ignition system
- 1966-'69 models have correct length sprocket shaft for stock primary and transmission
- Alternator and alternator/generator models have correct sprocket length sprocket shaft for 1970-up primary and transmission
- Alternator/generator engines include oil filter mounting bracket for generator location
- Two-year warranty

## OPTIONS

- 93", 93" high compression, and 103" displacements
- Stock style generator, alternator/generator, or alternator crankcases



31-9905

## SH-SERIES ENGINE SPECIFICATIONS

Engine	Displacement	Bore	Stroke	Carb	Cam	Piston	CR
SH93	93"	3 7/8"	4 1/2"	Super E	585	Forged	8.5:1
SH93H	93"	3 7/8"	4 1/2"	Super E	600	Forged	9.1:1
SH103	103"	3 7/8"	5"	Super G	600	Forged	9.7:1

NOTE: S&S® SH93H engine contains 1984-'99 style S&S cam and tappets.  
\*SH103 will not fit stock chassis—not for everyone!

## COMPLETE CARBURETED SH-SERIES ENGINES±

Engine	Application	Style	Warranty	Billet Gearcover	MSRP	Cast Gearcover	MSRP
SH93	1970-'99 Chassis	Alternator	2 Years	<b>31-9905</b>	\$7,418.95	<b>31-9904</b>	\$7,312.95
	Custom	Alternator/Generator		—	—	<b>31-9917</b>	\$8,478.95
SH93H	1970-'99 Chassis	Alternator		<b>31-9908</b>	\$7,524.95	<b>31-9907</b>	\$7,418.95
SH103	1970-'99 Chassis	Alternator		<b>31-9919</b>	\$7,630.95	—	—
<b>CTO</b>	Specify	Specify		<b>319-0005</b>	Call for Pricing	<b>319-0005</b>	Call for Pricing

DISCLAIMER: NOT LEGAL FOR SALE OR USE IN CALIFORNIA ON ANY POLLUTION CONTROLLED MOTOR VEHICLE. Not legal for sale or use on any EPA pollution controlled motor vehicle.

± WARNING: Cancer and Reproductive Harm – www.P65Warnings.ca.gov

# BILLET FILTER MOUNT

## FITMENT

- 1936-'69 big twins w/ Alt/Gen Crankcase

## FEATURES AND BENEFITS

- Accepts stock oil pressure sending switch
- Machined for easy routing of an oil cooler
- Seals off cam chest, providing a convenient place to spin on an oil filter



**BILLET FILTER MOUNT±** | **106-3134** | \$178.95

± WARNING: Cancer and Reproductive Harm – www.P65Warnings.ca.gov



# P-SERIES ENGINES FOR 1948–'99 CHASSIS

## FITMENT

- Several versions are available:
- 1948-'64 stock chassis with tin primary – 4 rib gearcover and domed timer cover
- 1965 stock chassis electric start with alloy primary – flat side gearcover and flat timer cover (will fit 1966-'69 chassis)
- 1970-'99 Alternator/generator and alternator custom versions

## FEATURES AND BENEFITS

- Vintage vibe – *Modern muscle*
- Natural crankcases and stock-looking silver powder coated cylinders
- S&S hydraulic valve train with roller rocker arms
- S&S billet timer and S&S Super Stock single fire ignition system
- 1948-'64 and 1965 models have correct length sprocket shaft for stock primary and transmission
- Alternator and alternator/generator models have correct sprocket length sprocket shaft for 1970-up primary and transmission
- Alternator/generator engines include oil filter mount for generator location
- 1966-'84 exhaust systems
- 1966-'84 intake ports with o-ring inlets
- Two-year warranty

## OPTIONS

- 74", 93", 93" high compression, and 103" displacements
- Stock style generator, alternator/generator, or alternator crankcases

P-SERIES ENGINE SPECIFICATIONS							
Engine	Displacement	Bore	Stroke	Carb	Camshaft	Piston Type	Compression Ratio
P74	74"	3 1/16"	3 3/32"	Super E	S&S 513	S&S Forged	7.5:1
P93	93"	3 5/8"	4 1/2"	Super E	S&S 585	S&S Forged	8.5:1
P93H	93"	3 5/8"	4 1/2"	Super E	S&S 600	S&S Forged	9.1:1
P103	103"	3 5/8"	5"	Super G	S&S 600	S&S Forged	9.7:1

## COMPLETE CARBURETED P-SERIES ENGINES±

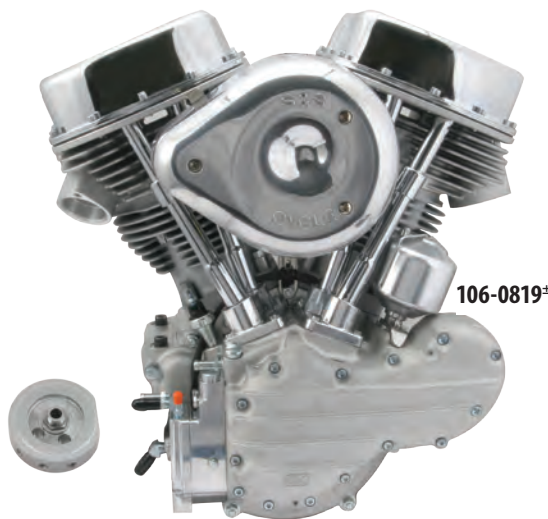
Engine	Application	Style	Warranty	Part #	MSRP
P74	1948-'64 Chassis	Generator	2 Years	<b>310-0224</b>	\$8,690.95
P93	1948-'64 Chassis	Generator		<b>106-0819</b>	\$8,478.95
	1965-'69 Chassis	Generator		<b>106-0820</b>	\$8,478.95
	Custom 1970-'99	Alternator		<b>106-2685</b>	\$7,418.95
Alternator/Generator		<b>106-0821</b>		\$8,478.95	
P93H	Custom 1970-'99	Alternator/Generator		<b>106-0824</b>	\$8,584.95
P103	Custom 1970-'99	Alternator/Generator	<b>106-0827</b>	\$8,690.95	
<b>CTO</b>		Specify		<b>319-0003</b>	Call for Pricing

P93H and P103 engines come with dual plugged cylinder heads. Alternator and alternator/generator engines require transmission with 1970-up length main shaft and custom exhaust.

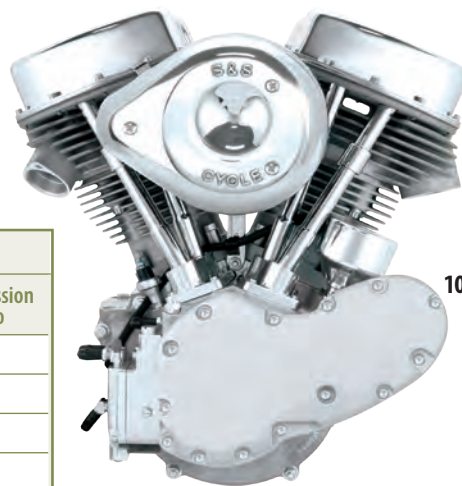
1955-'64 style engines may be installed in 1948-'54 chassis if 1955-'64 inner primary tin cover is used.

DISCLAIMER: NOT LEGAL FOR SALE OR USE IN CALIFORNIA ON ANY POLLUTION CONTROLLED MOTOR VEHICLE. Not legal for sale or use on any EPA pollution controlled motor vehicle.

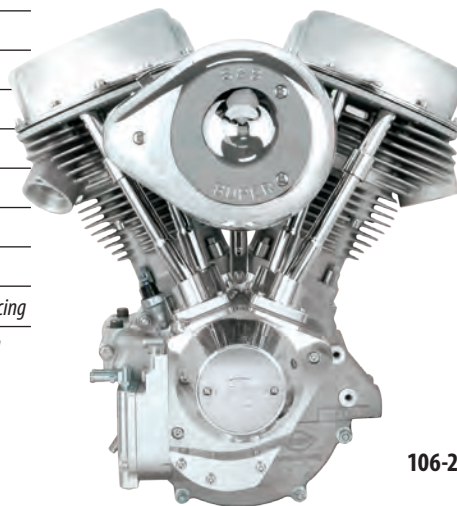
± **⚠️** WARNING: Cancer and Reproductive Harm – www.P65Warnings.ca.gov



106-0819±



106-0820±



106-2685±

# KN-SERIES ENGINES FOR 1936–'99 CHASSIS

## FITMENT

- KN74
- 1936-'99 chassis
- KN93
- 1936-'47 stock chassis – will fit in 1948-'65 chassis with front motor mount spacer (included)
- 1970-'99 Alternator/generator and alternator custom versions, custom bikes with 1970-'99 alternator style primary

## FEATURES AND BENEFITS

- Natural crankcases and black powder coated cylinders and heads
- S&S Super E
- S&S valve train – solid lifters
- S&S Super Stock™ single fire ignition system and polished billet timer
- 1936-'47 models have correct length sprocket shaft for stock primary and transmission
- Alternator and alternator/generator models have correct sprocket length sprocket shaft for 1970-up primary and transmission
- Alternator/generator engines include oil filter mount for generator location
- Alternator style crankcase – allows the use of modern primary, transmission, clutch components and electrical system
- One-year warranty

## KN-SERIES ENGINE SPECIFICATIONS

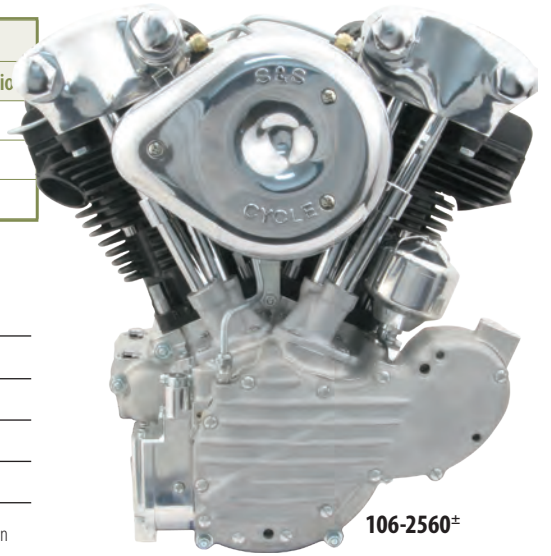
Engine	Displacement	Bore	Stroke	Carb	Camshaft	Piston Type	Compression Ratio
KN74	74"	3 <sup>7</sup> / <sub>16</sub> "	3 <sup>31</sup> / <sub>32</sub> "	Super E	S&S® 346	S&S Forged	7.5:1
KN93	93"	3 <sup>3</sup> / <sub>8</sub> "	4 <sup>1</sup> / <sub>2</sub> "	Super E	S&S® 420	S&S Forged	8.2:1
KN-Kone	93"	3 <sup>5</sup> / <sub>8</sub> "	4 <sup>1</sup> / <sub>2</sub> "	Super E	S&S® 420	S&S Forged	8.2:1

## KN-SERIES ENGINES±

Description	Application	Style	Warranty	Part #	MSRP
KN74	1936-'99 chassis	Generator	1 year	<b>310-0025</b>	\$9,645.95
KN93	1936-'47 stock chassis	Generator		<b>106-2161</b>	\$9,764.95
KN93	1970-'99 customs	Alternator/Generator		<b>106-2560</b>	\$9,499.95

DISCLAIMER: NOT LEGAL FOR SALE OR USE IN CALIFORNIA ON ANY POLLUTION CONTROLLED MOTOR VEHICLE. Not legal for sale or use on any EPA pollution controlled motor vehicle.

±  WARNING: Cancer and Reproductive Harm – www.P65Warnings.ca.gov



106-2560±

## NOTES

Alternator/generator cases have 1948-'99 style front motor mount. Will not fit stock knuckle frames.

Generator style engines have stock motor mounts for 1936-'47 style frames, but can be used in 1948-'99 style frames with front motor mount spacer, part #31-2017 (included). Alternator/generator cases require a transmission with 1970-up length mainshaft, and custom exhaust pipes must be fabricated.

Engines for 1936-'64 chassis with tin primary must use a 1954-'64 style inner primary cover.

S&S Super Stock generator style crankcases are available for stock 3<sup>7</sup>/<sub>16</sub>" or 3<sup>3</sup>/<sub>8</sub>" bore, but can be special ordered for bore sizes up to 3<sup>13</sup>/<sub>16</sub>" and deck heights as much as 3<sup>1</sup>/<sub>16</sub>" taller than stock.

1936-'54 must use the 1955-'64 style inner steel primary cover.

Since all S&S generator style crankcases use 1958 and later style main bearings, stock flywheel assemblies 1957 and earlier cannot be used in S&S crankcases. Flywheel assemblies must have 1958 and later pinion shaft with 1.250" diameter bearing, and a 1954 and later style sprocket shaft designed for a Timken® main bearing.

Generator style cases for 1936-'47 knucklehead engines are machined to supply oil to the heads from a boss located near the rear tappet guide or from a stock or S&S gearcover. Provision for oil scavenging from the heads in these crankcases is the same as stock, with passageways that connect the tappet guides to the crankcase breather gear.

Crankcases for 1948-'69 engines are machined with a provision to separate the oil supply to the top and bottom ends if an S&S oil pump is used. This feature lets you choose the 1972 and earlier stock "side oiling" system or the 1973 and later split oil system. The stock cast iron oil pump can be used for the "original look" and stock oiling system. If an S&S billet oil pump, part #31-6200± is used, the oiling system can be set-up as stock or updated to a split system.

1963-'65 panhead engines, with outside oil supply lines to the cylinder heads, must use the oil supply port located behind the rear tappet guide or the oil fitting toward the rear of the S&S gearcover. S&S generator style crankcases do not have the stock style "outside oiler" oil supply boss, so special oil supply lines will need to be fabricated.

# SUPER STOCK® GENERATOR STYLE CRANKCASES FOR 1936-'69 BIG TWIN ENGINES

## FITMENT

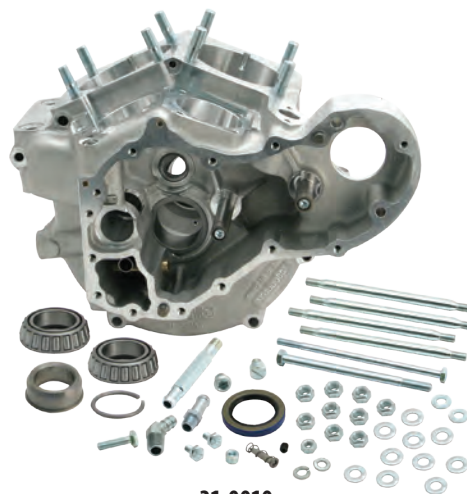
- 1936-'47 knucklehead engines with tin primary
- 1948-'64 panhead engines with tin primary
- 1965-'69 panhead & generator shovelhead with alloy primary
- Custom – alternator/generator

## FEATURES AND BENEFITS

- Pre-clearanced for strokes up to and including 5"
- Motor mounts on crankcases for knucklehead engines are machined to fit stock 1936-'47 frames. An adapter plate is included for 1948 and later style frames
- All cases are designed for late style generator (two brush type) with 5/16" mounting bolts to eliminate early generator cradle/mounting strap bosses for simplicity and economics
- Timken® sprocket shaft main bearing, in all years, instead of stock straight roller bearings – resulting in better flywheel assembly stability, placement, and longer engine life

## KIT CONTENTS

- Crankcase assembly
- All required bearings and hardware for installation
- Assembly instructions



31-0010

REPLACEMENT PARTS: SEE PAGE 480

## SUPER STOCK® GENERATOR CRANKCASES FOR 1936-'99 BIG TWIN\*

Crankcase Style	Stock Bore	MSRP	3 7/8" Bore	MSRP	Notes
1984-'99 big twin – Alternator/Generator	–	–	<b>31-0022</b>	\$1,658.95	7
P-Series and SH-Series – Alternator/Generator	–	–	<b>31-0026</b>	\$1,858.95	7
1965-'69 Panhead or Shovelhead	<b>31-0010</b> ± 24519-65	\$1,858.95	<b>31-0013</b>	\$1,858.95	1,4,6
1948-'64 Panhead	<b>31-0008</b> ± 24519-63, 24519-58, 24519-55	\$1,858.95	<b>31-0009</b>	\$1,858.95	1,2,5
P-Series Replacement 1948-'64	–	–	–	–	1,5
P-Series Replacement 1965	<b>31-0008</b> ± 24519-63, 24519-58, 24519-55	\$1,858.95	<b>31-0013</b>	\$1,858.95	1,6
KN Replacement Alternator/Generator	–	–	<b>106-4625</b>	\$1,858.95	1,7,8
KN Replacement Generator/Generator	<b>31-0006</b> ±	\$1,858.95	<b>106-4369</b>	\$1,858.95	1,3,5,8

*Note: All S&S crankcases use Timken® style sprocket shaft bearings and 1958 & later pinion bearings. These cases will not accept stock 1957 & earlier flywheel assemblies.*

- |   |   |
|---|---|
| <ol style="list-style-type: none"> <li>1. 1936-'69 style oil pump.</li> <li>2. Machined for 1948-'62 panhead cylinder base oil feed.</li> <li>3. Motor mounts are machined for stock 1936-'47 frames, adapter plate for 1948 &amp; later style frames is included.</li> <li>4. Includes primary scavenge port machining.</li> </ol> | <ol style="list-style-type: none"> <li>5. Machined for 1955-'64 tin primary.</li> <li>6. Machined for 1965-'69 alloy primary.</li> <li>7. Machined for 1970-up alloy primary.</li> <li>8. Uses stock 1/4"-24 hardware.</li> </ol> |
|---|---|

± WARNING: Cancer and Reproductive Harm – www.P65Warnings.ca.gov

## NOTES

Engines for 1936-'64 chassis with tin primary must use a 1954-'64 style inner primary cover.

S&S Super Stock generator style crankcases are available for stock 37/16" or 35/8" bore, but can be special ordered for bore sizes up to 313/16" and deck heights as much as 3/16" taller than stock.

A special order sheet must be filled out for any special order crankcases. Ask your S&S Customer Support Representative or download special order forms from our website at [www.sscycle.com/soforms](http://www.sscycle.com/soforms)

Since all S&S generator style crankcases use 1958 and later style main bearings, stock flywheel assemblies 1957 and earlier cannot be used in S&S crankcases. Flywheel assemblies must have 1958 and later pinion shaft with 1.250" diameter bearing, and a 1954 and later style sprocket shaft designed for a Timken® main bearing.

Generator style cases for 1936-'47 knucklehead engines are machined to supply oil to the heads from a boss located near the rear tappet guide or from a stock or S&S gearcover. Provision for oil scavenging from the heads in these crankcases is the same as stock, with passageways that connect the tappet guides to the crankcase breather gear.

Crankcases for 1948-'69 engines are machined with a provision to separate the oil supply to the top and bottom ends if an S&S oil pump is used. This feature lets you choose the 1972 and earlier stock "side oiling" system or the 1973 and later split oil system. The stock cast iron oil pump can be used for the "original look" and stock oiling system. If an S&S billet oil pump, part #31-6200± is used, the oiling system can be set-up as stock or updated to a split system.

1963-'65 panhead engines, with outside oil supply lines to the cylinder heads, must use the oil supply port located behind the rear tappet guide or the oil fitting toward the rear of the S&S gearcover. S&S generator style crankcases do not have the stock style "outside oiler" oil supply boss, so special oil supply lines will need to be fabricated.

# SUPER STOCK® ALTERNATOR STYLE CRANKCASES FOR 1970–'84 BIG TWIN ENGINES

## FITMENT

- 1970-'84 big twins

## FEATURES AND BENEFITS

- Available for stock, 3 $\frac{5}{8}$ ", and 3 $\frac{13}{16}$ " bore applications
- Compatible with stock 1970-up flywheel assemblies, primary covers and gearcovers
- Clearanced for 38 amp alternator stators
- Pre-clearanced for strokes up to and including 5"
- Complete with bearings and installation hardware

## KIT CONTENTS

- Crankcase assembly
- All required bearings and hardware for installation
- Assembly instructions



31-0004



## SUPER STOCK® ALTERNATOR CRANKCASES FOR 1970–'84 BIG TWIN<sup>‡</sup>

Crankcase Style	Finish	Stock Bore	MSRP	3 $\frac{5}{8}$ " Bore	MSRP	3 $\frac{5}{8}$ " Bore (Small Diameter)	3 $\frac{13}{16}$ " Bore	MSRP	
1970-'84	Natural	<b>31-0003<sup>†</sup></b>	\$1,348.95	<b>31-0004</b>	\$1,348.95	–	–	–	
Special Order*	Specify	<b>31-0002*</b>	Call for Pricing	<b>31-0002*</b>	Call for Pricing	<b>31-0002*</b>	Call for Pricing	<b>31-0002*</b>	Call for Pricing

NOTES: 1981-'84 style oil pump. Includes primary scavenge port machining. Machined for 1970 & later alloy primary.

<sup>†</sup>Exempt from emissions tampering regulations under CARB EO# D-355-8 when used with stock bore cylinders

\*Download the Special Order Form at [sscycle.com/soforms](http://sscycle.com/soforms)

<sup>‡</sup>⚠️ WARNING: Cancer and Reproductive Harm – [www.P65Warnings.ca.gov](http://www.P65Warnings.ca.gov)

## SPECIAL ORDERS:

S&S Super Stock alternator crankcases can be special ordered for cylinder bore sizes up to 3 $\frac{13}{16}$ " and deck heights as much as  $\frac{3}{16}$ " taller than stock.

A special order sheet must be filled out for any special order crankcases. Ask your S&S Customer Support Representative or download special order forms from our website at [www.sscycle.com/soforms](http://www.sscycle.com/soforms)

REPLACEMENT PARTS:  
SEE PAGE 478

# FLYWHEELS FOR 1937–'73 45" FLATHEAD ENGINES

## FITMENT

- 1937-'52 W/WR models
- 1952-'53 KR & all K models (excluding KH)
- 1932-'73 G models

## FEATURES AND BENEFITS

- 3 $\frac{13}{16}$ " stroke
- Complete S&S connecting rod set – includes special crankpin, rods, bearings and cages
- Compatible with stock 45" KR rods or rods for 1957–'84 Sportster® models, when used with the special crankpin

⚠️ **WILL NOT FIT KH MODELS**

## FLYWHEELS FOR 1937–'73 45" FLATHEAD ENGINES

Description	Part #	MSRP
S&S Replacement Flywheels for 45" Flathead 23925-37	<b>32-3013</b>	\$831.95

\*Special Order: Download the Special Order Form at [sscycle.com/soforms](http://sscycle.com/soforms)



TRYING TO IDENTIFY A SET OF  
S&S FLYWHEELS?  
SEE FLYWHEEL I. D. CHART ON PAGE 544

# FLYWHEELS FOR 1936–'84 BIG TWIN ENGINES

## FITMENT

- 1936-'84 OHV big twins
- 1930-'48 flathead (side valve)
- KN, P, and SH-Series engines

## FEATURES AND BENEFITS

- CNC machined from heat-treated, closed die, steel forging
- Stronger than cast iron or late style steel flywheels
- Available in a wide variety of styles and strokes
- Available balanced or unbalanced
- Unassembled balanced flywheels are balanced by the static method
- Assembled flywheels are dynamic balanced after assembly using our American-Hofmann® dynamic balancing machine (unless otherwise specified)
- 1930-'53 styles fit stock or S&S sprocket shafts
- 1954-'84 styles available for S&S sprocket shafts only

## OPTIONS FOR SPECIAL ORDER

- Model year group
- Stroke
- Diameter
- Assembly and balancing
- Additional components – pinion shaft, sprocket shaft and connecting rods

### FLYWHEELS FOR 1936–'84 BIG TWIN

Special Order	32-2015*	Call for Pricing
---------------	----------	------------------

\*Special Order: Download the Special Order Form at [sscycle.com/soforms](http://sscycle.com/soforms)



# FLYWHEELS FOR 1957–'85 HARLEY-DAVIDSON® IRONHEAD SPORTSTER®

## FITMENT

- 1957-'85 Ironhead Sportster® models
- Fits OHV 900cc and 1000cc engines

## FEATURES AND BENEFITS

- CNC machined from heat-treated, closed die, steel forging
- Stronger than cast iron or late style steel flywheels
- Available in a wide variety of styles and strokes
- Available balanced or unbalanced
- Unassembled balanced flywheels are balanced by the static method
- Assembled flywheels are dynamic balanced after assembly using our American-Hofmann® dynamic balancing machine (unless otherwise specified)

## OPTIONS FOR SPECIAL ORDER

- Model year group
- Stroke
- Diameter
- Assembly and balancing
- Additional components – pinion shaft, sprocket shaft, connecting rods
- Available for S&S sprocket shafts only

### FLYWHEELS FOR HARLEY-DAVIDSON® SPORTSTER® MODELS

Stroke, 7 <sup>7</sup> / <sub>8</sub> " Diameter (Stock)	Part #	MSRP
Special Order	32-3014*	Call for Pricing

\*Special Order: Download the Special Order Form at [sscycle.com/soforms](http://sscycle.com/soforms)



**TRYING TO IDENTIFY A SET OF S&S FLYWHEELS?  
SEE FLYWHEEL I. D. CHART ON PAGE 544**

**ANY JOB IS EASY WITH THE RIGHT TOOLS  
S&S FLYWHEEL BALANCING KIT, SEE PAGE 516.  
S&S FLYWHEEL ASSEMBLY FIXTURE &  
TRUING SPANNER,  
SEE PAGE 517**

# REPLACEMENT FLYWHEELS FOR S&S® VINTAGE ENGINES

## FITMENT

- KN-Series Engines
- P-Series Engines
- SH-Series Engines

## FEATURES AND BENEFITS

- Exact same parts used in S&S production engines



32-2226

### REPLACEMENT FLYWHEEL ASSEMBLIES FOR KN-SERIES ENGINES 1936–'47±

Engine	Stroke	Diameter	Part #	MSRP
KN74	3 <sup>31</sup> / <sub>32</sub> "	8½"	<b>320-0014</b>	\$1,322.95
KN93 Alt/Gen	4½"	8½"	<b>106-4658</b>	\$1,322.95

±  WARNING: Cancer and Reproductive Harm – [www.P65Warnings.ca.gov](http://www.P65Warnings.ca.gov)

### REPLACEMENT FLYWHEEL ASSEMBLIES FOR P-SERIES ENGINES 1954–'64

Engine	Stroke	Diameter	Part #	MSRP
P74	3 <sup>31</sup> / <sub>32</sub> "	8½"	<b>320-0013</b>	\$1,322.95
P93, P93H - 1954-'64 Generator	4½"	8½"	<b>106-0806</b>	\$1,322.95
P93, P93H - 1965 Generator	4½"	8½"	<b>32-2224</b>	\$1,322.95
P93, P93H - Alternator/Generator	4½"	8½"	<b>32-2226</b>	\$1,322.95
P103 - Alternator/Generator	5"	8¼"	<b>32-2990</b>	\$1,322.95



32-2235

### REPLACEMENT FLYWHEEL ASSEMBLIES FOR SH-SERIES ENGINES 1966–'84

Engine	Stroke	Diameter	Part #	MSRP
SH80 - Alternator	4¼"	8½"	<b>32-2235</b>	\$1,322.95
SH93, SH93H - Generator	4½"	8½"	<b>32-2224</b>	\$1,322.95
SH93, SH93H - Alternator/Generator	4½"	8½"	<b>32-2226</b>	\$1,322.95
SH103	5"	8¼"	<b>32-2990</b>	\$1,322.95

TRYING TO IDENTIFY A SET OF  
S&S FLYWHEELS?  
SEE FLYWHEEL I. D. CHART ON PAGE 544

# SPROCKET SHAFT ASSEMBLIES FOR BIG TWIN ENGINES



33-2004



33-2003



33-2002



33-2001

## TAPERED SPROCKET SHAFT ASSEMBLIES

		MSRP
<b>1970-'99 Big Twin</b>		
Fits S&S® SE or SL flywheels only	<b>33-2004</b>	\$129.95
<b>1965-'69 Big Twin</b>		
Fits S&S SE or SL flywheels only	<b>33-2003</b>	\$156.95
<b>1955-'64 Big Twin</b>		
Fits S&S SE or SL flywheels only	<b>33-2002</b>	\$27.95
<b>1930-'54 Big Twin—Including UL SVBT</b>		
Fits S&S E or Stock flywheels (includes motor sprocket nut) 24001-30	<b>33-2001</b>	\$156.95

## REPLACEMENT PARTS FOR TAPERED SPROCKET SHAFT ASSEMBLIES

		MSRP
<b>Sprocket Shaft Nut</b>		
1930-'54	<b>33-2031</b>	\$11.95
1955-'84	<b>33-2033</b>	\$15.95
<b>Sprocket Shaft Key</b>		
1930-'54	<b>50-8224</b>	\$7.95
1955-'84	<b>50-8225-S</b>	\$2.95
<b>Motor Sprocket Nut</b>		
1930-'54 (fits S&S® sprocket shafts only)	<b>33-2032</b>	\$36.95

# SPROCKET SHAFT ASSEMBLIES FOR HARLEY-DAVIDSON® SPORTSTER® MODELS



33-2301



33-2302

## SPROCKET SHAFT ASSEMBLIES

		MSRP
<b>1977-'85 Sportster® Models</b>		
Fits S&S D, SB, SBD, SC, SCD, SCDR, and SCR flywheels only	<b>33-2302</b>	\$183.95
<b>1957-'76 Sportster Models</b>		
Fits S&S SB flywheels only.	<b>33-2301</b>	\$167.95

## REPLACEMENT PARTS FOR SPROCKET SHAFT ASSEMBLIES

		MSRP
<b>Sprocket Shaft Nut</b>		
Fits all S&S sprocket shafts for Sportster® models.	<b>33-2331</b>	\$7.95
<b>Sprocket Shaft Key</b>		
Key, .188" x .469", Steel	<b>50-8224</b>	\$7.95

All reference to HD® part numbers is for identification purposes only. We in no way are implying that any of S&S Cycle's products are original equipment parts or that they are equivalent to the corresponding HD® part number shown.

# PINION SHAFT ASSEMBLIES FOR BIG TWIN ENGINES



33-2024



33-2027



33-2021

## PINION SHAFT ASSEMBLIES

Late 1981-'99 Big Twin – Tapered Pinion Shaft			MSRP
Stock length for S&S or stock big twin crankcases. Fits S&S BL, SL, SM or stock flywheels.			
Standard (1.250") Bearing Diameter	<b>33-2027</b>		\$156.95
+ .001" (1.251") Bearing Diameter	<b>33-2028</b>		\$206.95
1958-Early '81 Big Twin – Tapered Pinion Shaft			MSRP
Fits S&S L, AL, SE, or stock flywheels 24006-54A, 24006-73	<b>33-2024</b>		\$156.95
1939-'53 Big Twin – Splined Pinion Shaft			MSRP
Fits S&S E or stock flywheels	<b>33-2021</b>		\$156.95

## REPLACEMENT PARTS FOR PINION SHAFT ASSEMBLIES

Pinion Shaft Nut		MSRP
1939-'81	<b>33-2031</b>	\$11.95
1981 & 1984	<b>33-2033</b>	\$12.95
Pinion Shaft Key		MSRP
1930-'81	<b>50-8224</b>	\$7.95
1981 & 1984	<b>50-8225-S</b>	\$2.95
Metering Plug		MSRP
No Hole	<b>50-8314</b> ±	\$2.95
.0625" Hole	<b>50-8316</b> ±	\$5.95
.0925" Hole	<b>50-8317</b> ±	\$3.95
Pinion & Oil Pump Drive Key		MSRP
1958-'81 & 1984	<b>50-8221-S</b>	\$2.95

± WARNING: Cancer and Reproductive Harm – www.P65Warnings.ca.gov

# PINION SHAFT ASSEMBLIES FOR HARLEY-DAVIDSON® SPORTSTER® MODELS



33-2321



33-2322

## PINION SHAFT ASSEMBLIES

1957-'76 Sportster Models			MSRP
Fits S&S B, SB, or stock flywheels.			
Standard 24005-57	<b>33-2321</b>		\$230.95
1977-Early '81 Sportster Models			MSRP
Fits S&S B, BD, SB, SBD, or stock flywheels. Requires 1977-'86 main bearing.	<b>33-2322</b>		\$259.95

## REPLACEMENT PARTS PINION SHAFT ASSEMBLIES

Pinion Shaft Key		MSRP
1957-'81	<b>50-8224</b>	\$7.95
1981-'85 11218	<b>50-8222-S</b>	\$2.95
Metering Plug		MSRP
1977-'85	<b>50-8316</b>	\$5.95

All reference to HD® part numbers is for identification purposes only. We in no way are implying that any of S&S Cycle's products are original equipment parts or that they are equivalent to the corresponding HD® part number shown.



# BILLET OIL PUMPS FOR 1936–'84 OHV BIG TWINS

## FITMENT

- Pumps are available for stock 1936–'84 big twin engines
- Custom engines using S&S crankcases

## FEATURES AND BENEFITS

- Same width oil supply and return gears as the stock Harley-Davidson® aluminum pump
- S&S pinion and oil pump drive shaft drive gears increase potential oil volume delivery by 25% over stock on 1972 and earlier engines
- S&S pumps for 1936–'67 engines used with the S&S oil pump drive gears deliver 33% more oil than the original cast iron pump
- Machined with an oil pressure relief bleed off passageway – *relieves pressure build up on top of the valve to maintain consistent oil pressure*
- Oil pressure regulation bypass routes excess oil directly to the supply side of the pump – *reduces the amount of oil returned to the tank, less foaming and cavitation*
- The standard pump cover allows total flexibility for oil system configuration with a number of oil feed and return options

## OPTIONS

- Pump only kits
- Pump with gears – *includes drive gears, and breather gear*

## KIT CONTENTS

- Complete oil pump assembly
- Mounting hardware, fittings and gaskets
- Instructions
- Pump with gear kits also include:
  - Pinion shaft pump drive gear
  - Oil pump drive shaft gear
  - Breather gear



## OIL PUMP KITS FOR 1936–'84 BIG TWIN ENGINES<sup>±</sup>

Year/Crankcase	Without Gears & Shims	MSRP	With Drive Gear, Breather Gear & Shim Kit	MSRP
KN-Series** (Silver Powder Coated)	<b>106-4688</b>	\$500.95	–	–
1936-'47	<b>31-6200<sup>§</sup></b>	\$360.95	–	–
1948-'53	<b>31-6200</b>	\$360.95	<b>31-6292<sup>§</sup></b>	\$524.95
1954-'69	<b>31-6200</b>	\$360.95	<b>31-6293<sup>§</sup></b>	\$524.95
1970-'77	–	–	<b>31-6294<sup>§</sup></b>	\$524.95
1978-'84	<b>31-6203<sup>§</sup></b>	\$367.95	<b>31-6295<sup>§</sup></b>	\$524.95

\*Requires 1973-'77 breather gear. \*\*Uses a 28 lb pop-off spring to lower oil pressure at high RPM.

<sup>§</sup>Universal cover with top and bottom oil feeds.

\* WARNING: Cancer and Reproductive Harm – www.P65Warnings.ca.gov

## OIL PUMP COVER ONLY FOR 1936–'91 BIG TWINS

Description	Part #	MSRP
Universal	<b>31-6059</b> <small>31-6041</small>	\$89.95
Custom	<b>31-6060</b> <small>31-6045</small>	\$84.95

**REPLACEMENT PARTS: SEE PAGE 484**

All reference to HD® part numbers is for identification purposes only. We in no way are implying that any of S&S Cycle's products are original equipment parts or that they are equivalent to the corresponding HD® part number shown.

# CAMSHAFTS FOR 1936–'47 OHV BIG TWINS

## FITMENT

- 1936-'47 OHV big twins
- S&S® KN-Series engines

## FEATURES AND BENEFITS

- Quality construction – Made in-house by S&S Cycle in Viola, WI
- Higher lift and increased valve timing for better performance

## APPLICATIONS

**KN346 Cam:** This is a service part cam for 74" knuckle engines. The KN346 cam is ground to stock specifications.

**KN420 Cam:** This "high-lift" cam for modified knuckle engines features .420" valve lift and increased duration for larger engines up to 93" and compression ratio of up to 8.5:1. Special high-lift valve springs are required.



### CAMS FOR 1936–'47 OHV BIG TWINS & KN-SERIES ENGINES

Cam Name	Part #	MSRP
KN420	<b>106-2409</b>	\$208.95
KN346	<b>106-3676</b> 25522-36	\$208.95

### CAM SPECIFICATIONS FOR 1936–'47 OHV BIG TWINS AND KN-SERIES ENGINES

Cam Name	Cam Timing (Open/Close)		Cam Duration		Lobe Centerline		Max Valve Lift		Valve Lift @ TDC	
	Intake	Exhaust	Intake	Exhaust	Intake	Exhaust	Intake	Exhaust	Intake	Exhaust
KN420	31°/55°	60°/30°	266°	270°	102°	110°	.420"	.420"	.167"	.152"
KN346*	10°/51°	40°/12°	241°	232°	110.5°	104°	.346"	.346"	.085"	.100"

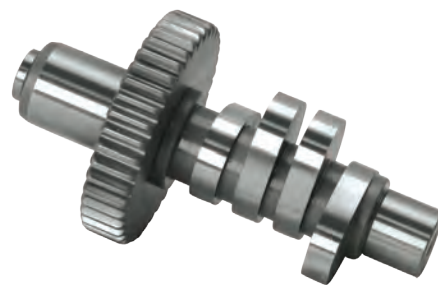
\*Ground to stock specifications.

## NOTE

S&S can do a special order cam, please contact your S&S customer service representative for more information

# CAMSHAFTS

## FOR 1948-'84 BIG TWINS WITH STOCK VALVE TRAIN



### FITMENT

- 1948-'69 engines with generator style crankcases
- 1970-'84 engines with alternator style crankcases
- Early SH-Series engines with stock style valve train

### APPLICATIONS

**S&S H-Grind:** Service part for panhead and shovelhead engines. This grind is a dead-on reproduction of the stock cams used in 1948 to 1984 big twins. Perfect for repair and restoration of 74" and 80" engines. Available for generator engines with inner cam bushings or inner cam bearings, and for early and late alternator engines with different cam gear pitch diameters. Note that the front and rear cylinders have unique timing specs.

**450S Cam:** A bolt-in hydraulic cam for 74" and 80" shovelhead engines 1966-'79 and 1983-'84. (Can be used in 1981-'82 models if cylinder heads are updated to late style valve guides.) The 450S can also be used as a low end torque cam in modified shovelhead engines up to 88" with compression ratios of up to 8.5:1. Although designed for use with hydraulic tappets, the S&S 450S can be used with solid lifters. Use with solids will result in more valve train noise, slightly higher cylinder pressure, and slightly more torque. 1500-4500 rpm.

**514 Cam:** For 84" to 93" strokers with no greater than 9:1 CR – best gains occur in the mid range from 2500 to 5000 rpm where most riding is done. Relatively quiet and easier on the valve train than most other cams with lifts as high. Solid lifters or aftermarket hydraulic tappets are recommended, valve spring spacing and other normal clearancing checks required. 2500-5000 rpm.

**560S Cam:** For 88" to 103" engines between 9:1 to 10:1 CR – Excellent power across the rpm range. Not recommended for stock displacement or lower compression engines. Requires high lift valve springs and normal clearance checks. Solid lifters only. 3500-6000 rpm.

### CAMSHAFTS FOR 1948-'84 BIG TWIN ENGINES

Cam Name	Model Year	Part #	MSRP
Service Part H-Grind	1948-'57	<b>330-0164</b>	\$208.95
	1958-'69	<b>330-0170</b>	\$208.95
	1970-'77	<b>330-0165</b>	\$208.95
	1978-'84	<b>330-0166</b>	\$208.95
S&S 450S	1948-'69	<b>33-5062</b>	\$208.95
	1970-'77	<b>33-5063</b>	\$208.95
	1978-'84	<b>33-5064</b>	\$208.95
S&S 514	1948-'69	<b>33-5050</b>	\$208.95
	1970-'77	<b>33-5051</b>	\$208.95
	1978-'84	<b>33-5052</b>	\$208.95
S&S 560S	1948-'69	<b>33-5059</b>	\$208.95
	1970-'77	<b>33-5060</b>	\$208.95
	1978-'84	<b>33-5061</b>	\$208.95

DISCLAIMER: NOT LEGAL FOR SALE OR USE IN CALIFORNIA ON ANY POLLUTION CONTROLLED MOTOR VEHICLE. Not legal for sale or use on any EPA pollution controlled motor vehicle.

## NOTE

S&S can do a special order cam, please contact your S&S customer service representative for more information

### CAM SPECIFICATIONS FOR 1948-'84 BIG TWIN ENGINES

Cam Name	Application	Model Year	Valve Timing <sup>1</sup>		Valve Duration		Valve Lift <sup>2</sup>	Lift @ TDC <sup>3</sup>		Spring Spacing Required	Tappet <sup>4</sup> Type Required
			Open/Close		Intake	Exhaust		Intake	Exhaust		
			Open BTDC/ Close ABDC	Open BBDC/ Close ATDC							
Service Part H-Grind	Service part replacement cam for pan and shovel engines	1948-'84	0°/40° F 20°/33° R	53°/12° F 53°/12° R	220° F 233° R	245° F 245° R	.389" F .391" R	.076" F .076" R	.131" F .131" R	No Bolt-In	Hydraulic
S&S 450S	Engines up to 88" with up to 8.5:1 CR Good low and mid range torque	1948-'84	18°/38°	40°/18°	236°	238°	.475" Pan	.158" Pan	.152" Pan	No Bolt-In	Hydraulic or Solid
							.453" Shovel	.151" Shovel	.145" Shovel		
S&S 514	80" to 96" engines with 8:1 to 9:1 CR Good mid range	1948-'84	23°/43°	43°/23°	246°	246°	.540" Pan	.177" Pan	.177" Pan	Yes	Solid
							.514" Shovel	.169" Shovel	.169" Shovel		
S&S 560S	88" to 103" engines with 9:1 to 10.1:1 CR Strong power	1948-'84	20°/55°	60°/20°	255°	260°	.587" Pan	.176" Pan	.176" Pan	Yes	Solid
							.560" Shovel	.168" Shovel	.164" Shovel		

<sup>1</sup>Timing designation is function of zero lash @ .053" off base circle.

<sup>2</sup>Pan and shovel lifts are determined by rocker arm ratio. Pan ratio is nominally 1.5":1 and shovel ratio is nominally 1.4":1. S&S rocker arms for shovels have 1.5":1 rocker arm ratio, so lift will be the same as pan lift.

<sup>3</sup>TDC lifts are measured at the valve and are for reference only. Overlap valve lifts must be checked on assembled motor.

<sup>4</sup>Cams specified for solid tappets may be used with modern high performance hydraulic tappets for shovelhead engines. Stock hydraulic tappets are not recommended. 1980-'81 engines require conversion to late style valve guides

# CAMSHAFTS

## FOR 1954–'84 BIG TWINS WITH S&S® VALVE TRAIN CONVERSION KIT

### FITMENT

- 1954-'65 engines with S&S Head Update kit
- 1966-'84 engines with Hydraulic Conversion kit
- P-Series and SH-Series engines
- Custom generator style engines with 1984-'99 style top end

### FEATURES AND BENEFITS

- Quality construction – Made in-house by S&S Cycle in Viola, WI
- Higher lift and increased valve timing for better performance
- Quiet, dependable hydraulic valve train when used with S&S Hydraulic Conversion kits



33-5131



106-6028

### CAM SPECIFICATIONS FOR 1954–'84 BIG TWIN ENGINES REQUIRING 1984–'99 STYLE CAMS

Cam Name	Application	Valve Timing <sup>1</sup> Open/Close		Valve Duration		Valve Lift	Lift @ TDC <sup>2</sup>		Spring Spacing Required	Tappet Type Required
		Intake	Exhaust	Intake	Exhaust		Intake	Exhaust		
		<i>Open BTDC/Close ABDC</i>	<i>Open BBDC/Close ATDC</i>							
S&S 513	74" - 84" Stock or low compression	18°/38°	40°/18°	236°	238°	.472"	.163"	.187"	No	Hydraulic
S&S 585	74" - 80" engines 8.5:1 - 9.5:1 CR 84" - 93" engines up to 8:1 - 9:1 CR	20°/45°	60°/20°	245°	260°	.540"	.172"	.166"	Yes	Hydraulic
S&S 600	93" - 103" engines 9:1 - 10:1 CR	20°/55°	60°/20°	255°	260°	.554"	.177"	.170"	Yes	Hydraulic
S&S 631	High rpm cam for 93" - 103" engines 11:1+ CR	34°/61°	66°/29°	275°	275°	.581"	.359"	.204"	Yes	Solid or Hydraulic
S&S 640	93" - up engines 10:1 or greater compression	25°/60°	65°/20°	265°	265°	.590"	.205"	.192"	Yes	Hydraulic

<sup>1</sup>Timing designation is function of zero lash @ .053" off base circle.  
<sup>2</sup>Lifts at TDC are measured at the valve and are for reference only. Overlap valve lifts must be checked on assembled motor.  
 Lifts based on 1.5:1 Rocker Ratio

### CAMSHAFTS FOR 1954–'84 BIG TWIN ENGINES REQUIRING 1984–'99 STYLE CAMS

Cam Name	Application	Generator Part #	MSRP	Alternator Part #	MSRP	Tappet Type Required
S&S 513	74" - 84" Stock or low compression	106-6028	\$208.95	106-6027	\$208.95	Hydraulic
S&S 585	74" - 80" engines 8.5:1 - 9.5:1 CR 84" - 93" engines up to 8:1 - 9:1 CR	33-5131	\$209.95	33-5109	\$209.95	Hydraulic
S&S 600	93" - 103" engines 9:1 - 10:1 CR	33-5132	\$209.95	33-5058	\$209.95	Hydraulic

DISCLAIMER: NOT LEGAL FOR SALE OR USE IN CALIFORNIA ON ANY POLLUTION CONTROLLED MOTOR VEHICLE. Not legal for sale or use on any EPA pollution controlled motor vehicle.

### LATE STYLE CAM RECOMMENDATIONS FOR PANHEAD AND SHOVELHEAD ENGINES

Application	RPM range	Compression Ratio	If you used...	Then Use	Generator	Alternator
74" – Stock 84" low compression	Low - Mid 1500-4500 rpm	8.5 and below	S&S® 450 or Andrews® J or A	S&S® 513	106-6028	106-6027
74" and 80" – Modified	Mid - High 3500-6000 rpm	8.5 - 9.5	S&S® 514 or Andrews #3 or B	S&S® 585	33-5131	33-5109
84" – 93"	Low - Mid 2500-5500 rpm	8.0 - 9.0	S&S® 514	S&S® 585	33-5131	33-5109
93" HC – 103"	Mid - High 3500-6000 rpm	9.0 - 10.0	S&S® 495 or 560S	S&S® 600	33-5132	33-5058
High Compression	High 3500-6500 rpm	Over 10.0	S&S® 495 or 565S	S&S® 640	-	33-5108

## NOTES

In order to achieve stated timing specifications, these cams must be used in engines with 1984-'99 style tappets.

These cams should not be ordered as replacement parts for early S&S SH-Series engines, or for any shovelhead engine equipped with stock valve train. For replacement parts for these engines, select stock style cams and tappets.

S&S can do a special order cam, please contact your S&S customer service representative for more information

# PINION SHAFT GEAR KITS

## FITMENT

- 1939-'89

## FEATURES AND BENEFITS

- Contain all the components that need to be installed on the pinion shaft for the specified year group.
- Kits for 1939-'53 and 1954-'77 can be used in 1972 and earlier engines to speed up the oil pump by 25% for more potential oil volume, since S&S oil pump drive gears are of the 1973 and later 6-tooth design.

### 1939-'53 S&S® BIG TWIN STYLE PINION SHAFT GEAR KITS

Size	Color Code	Part #	MSRP
Biggest	Orange	<b>106-3217</b>	\$314.95
	Black	<b>106-3218</b>	\$314.95
Average	Blue	<b>106-3220</b>	\$314.95
	Green	<b>106-3221</b>	\$314.95



**106-3217**

### EARLY 1954-'77 S&S® BIG TWIN STYLE PINION SHAFT GEAR KITS

Size	Color Code	Part #	MSRP
Smallest	White	<b>106-3214</b>	\$157.95
	Brown	<b>106-3215</b>	\$157.95
	Yellow	<b>106-3216</b>	\$157.95



**106-3215**

### LATE 1977-'89\* S&S® BIG TWIN STYLE PINION SHAFT GEAR KITS



Size	Color Code	Part #	MSRP
Biggest	Yellow	<b>33-4185</b>	\$146.95
Average	Red	<b>33-4148</b>	\$146.95
	Blue	<b>33-4181</b>	\$146.95
Smallest	Black	<b>33-4180</b>	\$146.95



**33-4148**

\*Use this kit when installing an S&S® flywheel assembly in a 1990-'99 Engine

## INDIVIDUAL COMPONENTS

Description	Part #	MSRP
Pinion Shaft Gear Spacer Fits 1954-'89 big twin engine. 	<b>33-4289</b>	\$5.95
Pinion Shaft Gear Nut <sup>26349-54</sup> Fits 1954-'89 big twin engine. 	<b>33-4244</b>	\$19.95
S&S Upgrade Pinion Shaft Oil Pump Drive Gear 1939-'53 Big Twin – 6-Tooth. Requires S&S part #33-4230 or <sup>26345-73</sup> drive shaft drive gear. Fits 1939-'53 stock and S&S pinion shafts.	<b>33-4237</b>	\$157.95
Pinion Shaft Oil Pump Drive Gear <sup>26349-73, 26349-73A</sup> 1973-'89 – 6-Tooth. May be used in 1954-'72 engines, but requires S&S part #33-4230 or <sup>26345-73</sup> oil pump shaft drive gear. Fits 1954-'89 stock and 1958-'99 S&S pinion shafts.	<b>33-4232</b>	\$41.95
Oil Pump Drive Gear 24-Tooth Requires S&S part #33-4232, part #33-4237, or <sup>26349-54</sup> pinion shaft drive gear. Fits 1973-'99 big twin engine. <sup>26349-73, 26349-73A</sup>	<b>33-4230</b>	\$36.95



**33-4289**

**33-4244**



**33-4237**

**33-4232**

**33-4230**

## NOTE

All S&S Pinion Shaft Gear Kits must be used with 1973-'99 style 24-tooth oil pump drive shaft gear such as S&S part #33-4230.

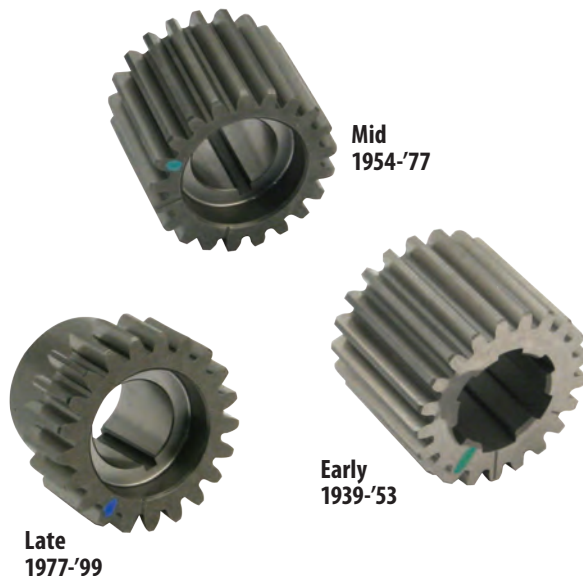
# REPLACEMENT PINION GEARS

High quality S&S pinion gears are carefully machined, heat treated and then finish ground.

Three distinct year groups, in up to eight different color coded sizes for optimum gear lash, are available for big twin engines. S&S color codes match Harley-Davidson® color codes so that replacement is easy. Just pick the appropriate color S&S gear that matches the color on the damaged stock gear (see notes).

## NOTES

If the stock gear is unmarked and the size is unknown or you are scratch building an engine and have no gear, we recommend that you order a gear in the middle of the size range. These sizes were used more often and should provide adequate gear clearance under most circumstances. When in doubt, use a gear from the middle to the small side of the range, because a combination of looser fitting smaller gears is less likely to cause binding and premature wear. Consult the chart for the size and appropriate part number required. If you wish to achieve optimum cam gear to pinion gear fit, consult your factory service manual for instructions on fitting these gears before making a selection. Some sizes, particularly those on and near the ends of each range, are available on a limited basis because they are the extremes.



### BIG TWIN STYLE PINION GEAR SELECTION CHART

	1939-'53			1954-'77			1977-'89*		
	Color Code	Part #	MSRP	Color Code	Part #	MSRP	Color Code	Part #	MSRP
Biggest	Orange	33-4101	\$209.95	Orange	33-4121	\$115.95	Orange	33-4141	\$92.95
	Black	33-4102	\$209.95	Black	33-4122	\$115.95	White	33-4142	\$92.95
	Red	—	—	Red	33-4123	\$115.95	Yellow	33-4143	\$92.95
Average	Blue	33-4104	\$209.95	Blue	33-4124	\$115.95	Red	33-4144	\$92.95
	Green	33-4105	\$209.95	Green	33-4125	\$115.95	Blue	33-4145	\$92.95
Smallest	—	—	—	White	33-4126	\$115.95	Green	33-4146	\$92.95
	—	—	—	Brown	33-4127	\$115.95	Black	33-4147	\$92.95
	—	—	—	Yellow	33-4128	\$115.95	—	—	—

Note - All S&S Pinion Shaft Gear Kits must be used with 1973-'99 style 24-tooth oil pump drive shaft gear such as S&S part #33-4230.

\*Use this kit when installing an S&S flywheel assembly in a 1990-'99 engine.

# STEEL ROTARY BREATHER GEARS FOR 1936-'84 BIG TWIN

## FITMENT

- 1936-'84 OHV big twins

## FEATURES

- All steel construction — superior dimensional stability, abrasion
- Welded-in screen
- Higher flow than stock
- Elongated breather pocket scavange hole for increased suction

## OPTIONS

- Standard diameter for replacement or new builds
- +.030" diameter for damaged engines
- Breather gear only kits
- Breather gear and shim kits



33-4250

### BREATHER GEAR KITS FOR 1936-'99 BIG TWIN

Year of Camshaft	Standard Size	MSRP	+.030" Oversize	MSRP
1936-Early '47	<b>106-6010</b>	\$132.95	<b>106-6013</b>	\$132.95
1948-Early '77	<b>33-4253</b>	\$132.95	<b>33-4263</b>	\$132.95
Late 1977-'99	<b>33-4250</b>	\$120.95	<b>33-4260</b>	\$120.95



106-5070

### BREATHER GEARS ONLY FOR 1936-'99 BIG TWIN

Year of Camshaft	Standard Size	MSRP	+.030" Oversize	MSRP
1936-Early '47	<b>106-5070</b> 25300-36	\$108.95	<b>106-6012</b>	\$108.95
1948-Early '77	<b>33-4246</b> 25313-73	\$108.95	<b>33-4247</b>	\$108.95
Late 1977-'99	<b>33-4241</b> 25310-82A, 25313-77B, 25311-90	\$95.95	<b>33-4242</b>	\$95.95



33-4249

### BREATHER GEAR SPACING SHIM KIT

Description	Part #	MSRP
Fits stock 1979-'82 and all S&S® steel breather gears. Includes one of each thickness: .100", .110", .120", .130", .140", .150", .160", .170"	<b>33-4249</b>	\$24.95

# GENERATOR STYLE GEARCOVERS FOR 1936–'69 OHV BIG TWINS

## FITMENT

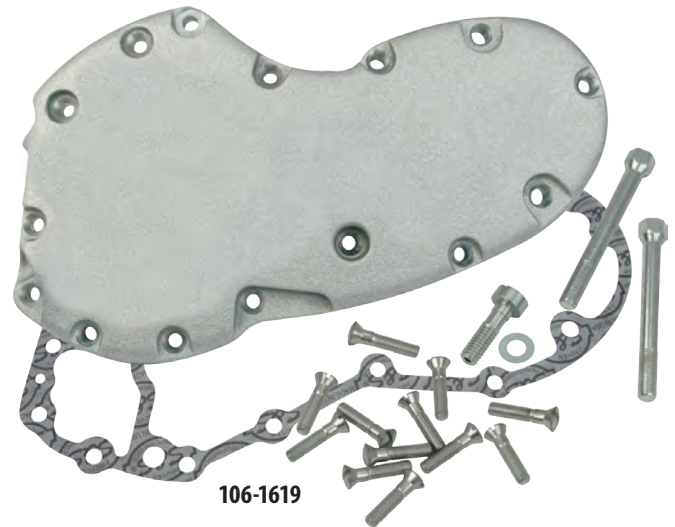
- 1936-'62 and 1965-'69 OHV big twins
- Available for stock and S&S crankcases

## FEATURES AND BENEFITS

- Cast gearcovers — stock appearance
- Bushings installed and sized — ready to install

## KIT CONTENTS

- Gearcover assembly
- Gasket and hardware
- Instructions



### FOR STOCK CRANKCASES—CAST GENERATOR GEARCOVERS

Application	Hardware Type	Pinion Bushing I.D.	Distinguishing Characteristics	Part #	MSRP
1940-early'48 OHV	¼"-24	⅜"	8 Ribs, w/tapped hole for top end oiling, ¼" gen mount holes*	<b>106-3198</b> 25216-48	\$313.95
Late 1948-'53 OHV	¼"-24	⅜"	8 Ribs, w/o tapped hole top for end oiling, ¼" gen mount holes*	<b>106-3499</b>	\$313.95
1954-'62 OHV	¼"-24 and ¼"-20	⅝"	4 Ribs w/o stock outside oiler passage, ⅝" gen mount holes	<b>31-0240</b> 25216-58	\$313.95
1965 OHV	¼"-24 and ¼"-20	⅝"	Smooth, w/outside oiler passage, ⅝" gen mount holes	<b>106-1619</b>	\$313.95
1966-'69 OHV	¼"-24 and ¼"-20	⅝"	Smooth w/o outside oiler passage, ⅝" gen mount holes w/o 12 o'clock boss	<b>106-1625</b>	\$313.95

\*Generator mounting holes must be drilled to ⅝" for use with 1958-later generators. Cast generator gearcovers come with countersunk hardware

### FOR S&S® CRANKCASES—CAST GENERATOR GEARCOVERS

Application	Hardware Type	Pinion Bushing I.D.	Distinguishing Characteristics	Part #	MSRP
1940-'47 OHV	¼"-24 and ¼"-20	⅝"	8 Ribs, w/tapped hole for top end oiling, ⅝" gen mount holes	<b>106-3482</b>	\$313.95
1954-'64 OHV	¼"-24 and ¼"-20	⅝"	4 Ribs w/o stock outside oiler passage, ⅝" gen mount holes*	<b>31-0240</b> 25216-58	\$313.95
1965-'69 OHV	¼"-24 and ¼"-20	⅝"	Smooth w/o outside oiler passage, ⅝" gen mount holes w/12 o'clock boss	<b>106-1627</b>	\$313.95

Cast generator gearcovers come with countersunk hardware.

\*A tapped hole on top of the cover can be used to supply oil to the top end — similar to 1936-48 OHV big twins.

## NOTE

S&S does not offer a direct replacement cover for 1963-'64 engines with outside oilers. However, cover part #106-1619 is functionally compatible, but is not cosmetically correct for those year groups. Stock covers of the four ribbed design, and cover part #106-1619 is a flat-side design.



# BILLET GEARCOVERS FOR 1973–'92 BIG TWINS

## FITMENT

- 1973-'92 engines
- S&S alternator style SH-Series engines

## FEATURES AND BENEFITS

- Machined from billet aluminum
- Available polished or chrome plated
- Compatible with points or electronic ignition systems

## KIT CONTENTS

- Billet gearcover, Chrome billet ignition cover, All gaskets and hardware, Installation instructions

### BILLET GEARCOVERS FOR 1973–'92 BIG TWINS

Description	Part #	MSRP
1973-'92 Polished  1,2,3	<b>31-0335</b>	\$493.95
1973-'92 Chrome	<b>106-4211<sup>±</sup></b>	\$512.95
Chrome Plated Billet Ignition Cover Only	<b>31-0332<sup>±</sup></b>	\$66.95

<sup>±</sup>  WARNING: Cancer and Reproductive Harm – www.P65Warnings.ca.gov



**31-0332<sup>±</sup>**

REPLACEMENT PARTS: SEE PAGE 487

# CAST GEARCOVERS FOR 1973–'84 BIG TWINS

## FITMENT

- 1973-'84 engines

## FEATURES AND BENEFITS

- Flangeless
- Flanged with a chromed billet aluminum cover
- Machined from tough 356-T6 aluminum castings – the same material used to make S&S crankcases
- Inner cast aluminum cover and a decorative bolt-on outer cover
- Both versions will accept either points or electronic ignition systems

## KIT CONTENTS

- Cast gearcover, Gaskets, Mounting Hardware



**31-0203**

### CAST GEARCOVERS FOR 1973–84 BIG TWINS

Description	Part #	MSRP
Natural–Flangeless Tall	<b>31-0203</b>	\$241.95
Wrinkle Black–Flangeless Tall	<b>31-0299</b>	\$272.95

Milwaukee Eight™  
 2007-2017 Twin Cam 96°/103°/110°  
 1999-2006 Twin Cam 88°  
 1986-2019 Sport™ & Buell™  
 2014-2019 Street™ & Street Rod™  
 1984-1999 Evolution™  
 1926-1984 Vintage Engines  
 Indian™ & Victory™ Models  
 Tools & Shop Supplies  
 Apparel  
 Warranty & Company Policy  
 Appendix & Index

# CIRCUIT BREAKER DRIVE GEARS

## GENERATOR CRANKCASE GEAR KIT FOR 1936–69 BIG TWIN ENGINES & CUSTOM ALT/GEN ENGINES

Description	Part #	MSRP
Standard Clockwise Rotation.	<b>33-4226</b>	\$577.95
Reverse Counterclockwise Rotation.	<b>33-4227</b>	\$577.95



33-4226

## CIRCUIT BREAKER DRIVE GEAR ASSEMBLIES FOR 1936–69 BIG TWIN ENGINES

Description	Part #	MSRP
Standard/Clockwise Rotation. 25850-36A	<b>33-4215</b>	\$314.95
Counterclockwise/Reverse Rotation. Requires S&S #33-4208 circuit breaker gear.	<b>33-4209<sup>±</sup></b>	\$314.95

Shims not included

<sup>±</sup> ⚠️ WARNING: Cancer and Reproductive Harm – www.P65Warnings.ca.gov



33-4217

## CIRCUIT BREAKER GEARS FOR 1936–69 BIG TWIN ENGINES

Description	Part #	MSRP
Standard Clockwise Rotation 32531-36	<b>33-4217</b>	\$125.95
Reverse Counterclockwise Rotation Requires S&S #33-4209 <sup>±</sup> circuit breaker gear assembly	<b>33-4208</b>	\$125.95
Roll Pin 7/64" Diameter 255	<b>50-8025</b>	\$2.95
Roll Pin 1/8" Diameter	<b>50-8030</b>	\$2.95

## CIRCUIT BREAKER DRIVE GEAR SHAFT

Description	Part #	MSRP
Fits 1936-'69 big twin engines. 25856-36	<b>31-2037</b>	\$38.95



31-2039

## IDLER GEAR SHAFT

Description	Part #	MSRP
Fits 1936-'69 big twin engines 25791-36	<b>31-2039</b>	\$13.95

## BUSHING

Description	Part #	MSRP
Fits all S&S® circuit breaker drive and idler gears for 1936-'69 big twin engines	<b>33-4214</b>	\$19.95



33-4214



33-4221

## IDLER GEAR ASSEMBLY

Description	Part #	MSRP
Fits 1936-'69 big twin engines. (Shims not included.) 25775-36	<b>33-4216</b>	\$199.95

## CIRCUIT BREAKER DRIVE/IDLER GEAR SHIMS

Fits 1936-'69 big twin engines.		
Description	Part #	MSRP
.050" Thick	<b>33-4221</b>	\$8.95
.054" Thick	<b>33-4222</b>	\$8.95
.058" Thick	<b>33-4223</b>	\$11.95
.062" Thick	<b>33-4224</b>	\$11.95
.066" Thick	<b>33-4225</b>	\$11.95

All reference to HD® part numbers is for identification purposes only. We in no way are implying that any of S&S Cycle's products are original equipment parts or that they are equivalent to the corresponding HD® part number shown.

# CYLINDERS WITH PISTONS KIT FOR 1966-'84 BIG TWINS AND P-SERIES ENGINES



## FITMENT

- 1966-'84 shovel engines
- S&S® Vintage SH-Series and P-Series engines
- Cylinders will not fit OEM panhead engines

## FEATURES AND BENEFITS

- High strength engineering-grade grey cast iron
- Excellent wear resistance
- Durable powder coat finish
- P-Series are silver powder coated

## OPTIONS

- 3 7/16", 3 3/8", and 3 1/2" bore
- Black or silver powder coat finish
- Available in sets or single front or rear cylinders
- Available fit with your choice of S&S pistons

## CYLINDERS WITH PISTONS KIT

Displacement	Stroke	Bore	Cylinder Length	Compression Ratio	Part #	MSRP
74" LC	3 3/32"	3 7/16"	5.330"	8.0:1	<b>91-9013</b>	\$1,312.95
74" HC	3 3/32"	3 7/16"	5.330"	9.0:1	<b>91-9012</b>	\$1,312.95
80" LC	4 1/4"	3 1/2"	5.330"	8.0:1	<b>91-9024</b>	\$1,259.95
80" HC	4 1/4"	3 1/2"	5.330"	9.0:1	<b>91-9023</b>	\$1,259.95
Special Order	Specify	Specify	Specify	Specify	<b>91-9307*</b>	Call for Pricing

Cylinders with pistons include cylinders, piston kit, head bolts, base nuts, and head & base gaskets. All piston kits include rings, wristpins, and clips. Recommended Piston Fit: Close: .0035" to .004" Loose: .0045" to .0055" \*Special Order: Download the Special Order Form at [sscycle.com/soforms](http://sscycle.com/soforms)

## STOCK BORE STROKER CYLINDERS WITH PISTONS KIT

Displacement	Stroke	Bore	Cylinder Length	Compression Ratio	Part #	MSRP
84"	4 1/2"	3 7/16"	5.330"	8.4:1	<b>91-9017</b>	\$1,312.95
86"	4 5/8"	3 7/16"	5.330"	9.4:1	<b>91-9017</b>	\$1,312.95
88"	4 3/4"	3 7/16"	5.330"	10.8:1	<b>91-9017</b>	\$1,312.95
Special Order	Specify	Specify	Specify	Specify	<b>91-9307*</b>	Call for Pricing

Cylinders with pistons include cylinders, piston kit, head bolts, base nuts, and head & base gaskets. All piston kits include rings, wristpins, and clips. Recommended Piston Fit: Close: .0035" to .004" Loose: .0045" to .0055" \*Special Order: Download the Special Order Form at [sscycle.com/soforms](http://sscycle.com/soforms)

## 3 5/8" BORE STROKER CYLINDERS WITH PISTONS KIT

Displacement	Stroke	Bore	Cylinder Length	Compression Ratio	Part #	MSRP
88"	4 1/4"	3 5/8"	5.330"	7.5:1	<b>91-9001</b>	\$1,312.95
93" LC	4 1/2"	3 5/8"	5.405"	8.5:1	<b>91-9101</b>	\$1,312.95
93" HC	4 1/2"	3 5/8"	5.363"	9.1:1	<b>91-9031</b>	\$1,417.95
96"	4 5/8"	3 5/8"	5.440"	9.0:1	<b>91-9401</b>	\$1,312.95
98"*	4 3/4"	3 5/8"	5.530"	8.9:1	<b>91-9201</b>	\$1,312.95
103"*	5"	3 5/8"	5.630"	9.7:1	<b>91-9302</b>	\$1,417.95
Special Order	Specify	Specify	Specify	Specify	<b>91-9307**</b>	Call for Pricing

Cylinders with pistons include cylinders, piston kit, head bolts, base nuts, and head & base gaskets. All piston kits include rings, wristpins, and clips. Recommended Piston Fit: Close: .0035" to .004" Loose: .0045" to .0055" \*Small Diameter Flywheels \*\*Special Order: Download the Special Order Form at [sscycle.com/soforms](http://sscycle.com/soforms)

## NOTES

Cylinders for P-Series engines will not fit stock pan cylinder heads. They are machined with a stock shovel head bolt pattern.  
Cylinders for P-Series engines do not have an internal oil feed passage for top end oiling. Not compatible with stock pan cases or heads.

# CYLINDERS WITH PISTONS KIT FOR 1936–'47 OHV BIG TWINS

## FITMENT

- 1936–'47, 74", and 93" knuckle engines
- S&S® Vintage KN-Series engines

## FEATURES AND BENEFITS

- High strength engineering-grade grey cast iron
- Excellent wear resistance
- Durable powder coat finish – high temp gloss black



106-2402

### 3 7/16" & 3 5/8" BORE CYLINDERS WITH PISTONS KIT FOR 1936–'47 OHV ENGINES

Piston Series	Displacement	Stroke	Bore	Cylinder Length	Compression Ratio	Part #	MSRP
74 LC Forged	74"	3 3/32"	3 7/16"	5.530"	8:1	<b>106-4519</b>	\$1,312.95
3 5/8" Forged	93"	4 1/2"	3 5/8"	5.625"	8.2:1	<b>106-2402</b>	\$1,417.95

Cylinders with pistons include cylinders, piston kit, and head & base gaskets. All piston kits include rings, wristpins, and clips. Recommended Piston Fit: Close: .0035" to .004" Loose: .0045" to .0055"

## NOTES

S&S® cylinder heads for 1940–'47 OHV big twins are machined for 7/16"-20 head bolts and are not compatible with stock 7/16"-16 head bolts. If using S&S heads with 3 7/16" bore cylinders, stock style hex head bolts for 1948–'65 big twins, part #106-4523 may be used. S&S 3 5/8" bore cylinders require the use of S&S 1966–'84 style 12 point head bolts part #93-3024, due to clearance issues.

Stock 1930–'78 hex style base nut kit is available in cadmium plate, part #106-4522, for 3 7/16" bore cylinders only. Stainless raised hex base nuts, part #93-3063-S, are required for 3 5/8" bore cylinders.

# CYLINDERS

### 3 7/16", 3 1/2", & 3 5/8" BORE CYLINDERS FOR 1966–'84 BIG TWIN—GLOSS BACK

Displacement	Bore	Cylinder Sets	MSRP
74", 84", 86", 88" Stock Bore Strokers	3 7/16"	<b>91-9011</b>	\$1,049.95
80", 84"	3 1/2"	<b>91-9021</b>	\$1,049.95
88"	3 5/8"	<b>91-9000</b>	\$1,049.95
93"		<b>91-9100</b>	\$1,049.95
93"HC		<b>91-9030</b>	\$1,049.95
96"		<b>91-9400</b>	\$1,049.95
98" SD †		<b>91-9200</b>	\$1,049.95
103" SD †		<b>91-9300</b>	\$1,049.95
Special Order	Specify	<b>91-9307***</b>	Call for Pricing

†Small Diameter Flywheels \*\*Some early S&S 93" and 96" Sidewinder® Kits were sold with 5.530" length cylinders. Use 91-9200 for replacement cylinders.

\*\*\*Special Order: Download the Special Order Form at [sscycle.com/soforms](http://sscycle.com/soforms).

Individual cylinders and cylinder sets without pistons are bored slightly under nominal size and are not honed. Individual cylinder assemblies and cylinder kits with pistons are honed to fit the pistons included.

### 3 7/16" & 3 5/8" BORE CYLINDERS FOR 1936–'47 OHV ENGINES—HIGH TEMP GLOSS BLACK

Displacement	Bore	Cylinder Sets	MSRP
74"	3 7/16"	<b>106-4512</b> 16492-41, 16483-41	\$1,154.95
93"	3 5/8"	<b>106-4655</b>	\$1,154.95

Cylinder set include cylinders, head gaskets, and base gaskets.

# FORGED PISTON KITS FOR 74" AND 80" 1936–'84 OHV ENGINES

## FITMENT

- 74" pistons fit 1936-'78, 74" OHV engines
- 80" pistons fit 1979-'84, 80" big twin engines and may be used in mild stroker engines with 4¼" stroke flywheels

## FEATURES AND BENEFITS

- Forged pistons for superior strength
- Modern alloys and piston skirt profiles for low noise and long engine life
- Dome volume
  - 74 LC = 46cc
  - 74 HC = 57cc
  - 80 LC = 41cc
  - 80 HC = 53cc
- Piston kits include set of pistons, rings, wristpins, and clips

## OPTIONS

- 74" – 8:1 or 9:1 compression
- 80" – 8:1 or 9:1 compression

S&S will fit these pistons to your existing cylinders (when purchasing new cylinders, pistons can be fit to them as an option)



### S&S® STOCK BORE FORGED PISTON SPECIFICATIONS

Displacement	Bore	Stroke	Compression Ratio	Piston Deck Height
74"	3 <sup>7</sup> / <sub>16</sub> "	3 <sup>3</sup> / <sub>2</sub> "	8:1 and 9:1	1.436"
80"	3 <sup>1</sup> / <sub>2</sub> "	4 <sup>1</sup> / <sub>4</sub> "	8:1 and 9:1	1.270"

Recommended Piston Fit Close: .003" - .0035" Loose: .004" - .005"

### FORGED 74" PISTONS

Override	Deck Height	8:1 Compression	MSRP	9:1 Compression	MSRP
Standard (3 <sup>7</sup> / <sub>16</sub> " )	1.436"	<b>106-5495</b> 22101-41, 22101-48	\$388.95	<b>106-5503</b>	\$388.95
+ .010"	1.436"	<b>106-5496</b> 22103-48, 22103-41	\$388.95	<b>106-5504</b>	\$388.95
+ .020"	1.436"	<b>106-5497</b> 22104-48, 22104-41	\$388.95	<b>106-5505</b>	\$388.95
+ .030"	1.436"	<b>106-5498</b> 22105-48, 22105-41	\$388.95	<b>106-5506</b>	\$388.95
+ .040"	1.436"	<b>106-5773</b> 22106-48, 22106-41	\$388.95	<b>106-5775</b>	\$388.95

### FORGED 80" PISTONS

Override	Deck Height	8:1 Compression	MSRP	9:1 Compression	MSRP
Standard (3 <sup>1</sup> / <sub>2</sub> " )	1.270"	<b>106-5511</b>	\$388.95	<b>106-5519</b>	\$388.95
+ .010"	1.270"	<b>106-5512</b>	\$388.95	<b>106-5520</b>	\$388.95
+ .020"	1.270"	<b>106-5513</b>	\$388.95	<b>106-5521</b>	\$388.95
+ .030"	1.270"	<b>106-5514</b>	\$388.95	<b>106-5522</b>	\$388.95

## NOTES

Since many older motorcycles have been modified, be sure to confirm that your engine is still stock before ordering replacement pistons.

Using 80" pistons with 74" (3<sup>3</sup>/<sub>2</sub>" stroke) flywheels will result in very low compression and poor performance. Using 74" pistons with 80" (4<sup>1</sup>/<sub>4</sub>" stroke) flywheels will result in contact between piston and cylinder head, and potential engine damage.

### REPLACEMENT RINGS FOR 74"

Override	Part #	MSRP
Standard (3 <sup>7</sup> / <sub>16</sub> " )	<b>94-2200X</b> 22325-55B, 22355-53, 22355-48, 22355-41	\$41.95
+ .010"	<b>94-2201X</b> 22327-55B, 22357-48, 22357-41	\$41.95
+ .020"	<b>94-2202X</b> 22328-55B, 22358-53, 22358-48, 22358-41	\$41.95
+ .030"	<b>94-2203X</b> 22329-55B, 22359-48, 22359-41	\$41.95
+ .040"	<b>94-2204X</b> 22330-55B, 22360-48, 22360-41	\$41.95

### REPLACEMENT RINGS FOR 80"

Override	Part #	MSRP
Standard (3 <sup>1</sup> / <sub>2</sub> " )	<b>94-2206X</b> 22334-78A, 22334-78B, 21920-83	\$41.95
+ .010"	<b>94-2207X</b> 22335-78A, 22335-78B, 21922-83	\$41.95
+ .020"	<b>94-2208X</b> 22336-78B, 21923-83	\$41.95
+ .030"	<b>94-2209X</b> 22337-78B, 21924-83	\$41.95

### REPLACEMENT WRISTPINS AND KEEPERS

Description	Part #	MSRP
Wristpin .791" diameter	<b>106-6123</b>	\$24.95
Wristpin keeper, c-clip	each <b>94-9254-S</b>	\$0.95
	4 pack <b>94-9254</b>	\$3.95

Milwaukee Eight  
 2007-2017  
 Twin Cam  
 96"/103"/110"  
 1999-2006  
 Sportster® & Buell®  
 1986-2019  
 2014-2019  
 Street® & Street Rod®  
 1984-1999  
 Evolution®  
 1926-1984  
 Vintage Engines  
 Indian® & Victory® Models  
 Tools & Shop Supplies  
 Apparel  
 Warranty & Company Policy  
 Appendix & Index

# FORGED STOCK BORE STROKER PISTONS FOR 1936–'84 OHV ENGINES

## FITMENT

- 84", 86", and 88" stroker engines for 1936-'84 OHV engines

## FEATURES AND BENEFITS

- Forged pistons for superior strength
- Modern alloys and piston skirt profiles for low noise and long engine life
- Dome volume 50cc
- Piston kits include set of pistons, rings, wristpins, and clips

S&S will fit these pistons to your existing cylinders (when purchasing new cylinders, pistons can be fit to them as an option)

### S&S FORGED STOCK BORE STROKER PISTON SPECIFICATIONS

Displacement	Bore	Stroke	Compression Ratio		Piston Deck Height
			Standard	LC	
84"	3 7/16"	4 1/2"	8.1:1	7.3:1	1.100
86"	3 7/16"	4 5/8"	9.4:1	8.1:1	
88"	3 7/16"	4 3/4"	10.8:1	9.1:1	

*Recommended Piston Fit Close: .003" - .0035" Loose: .004" - .005"*



106-5527

## FORGED STOCK BORE STROKER PISTONS

Oversize	Standard	MSRP	Low Compression	MSRP
Standard (37/16")	<b>106-5527</b>	\$388.95	<b>920-0073</b>	\$493.95
+.010"	<b>106-5528</b>	\$388.95	<b>920-0075</b>	\$493.95
+.020"	<b>106-5529</b>	\$388.95	<b>920-0077</b>	\$493.95
+.030"	<b>106-5530</b>	\$388.95	<b>920-0079</b>	\$493.95
+.040"	<b>106-5777</b>	\$388.95	<b>920-0081</b>	\$493.95
+.050"	<b>106-5778</b>	\$388.95	<b>920-0083</b>	\$493.95
+.060"	<b>106-5779</b>	\$388.95	<b>920-0085</b>	\$493.95
+.070"	<b>106-5780</b>	\$388.95	<b>920-0087</b>	\$493.95
+.080"	<b>106-5781</b>	\$388.95	<b>920-0089</b>	\$493.95
+.090"	<b>106-5782</b>	\$388.95	<b>920-0091</b>	\$493.95

## REPLACEMENT RINGS FOR FORGED STOCK BORE STROKER PISTONS

Oversize	Part #	MSRP
Standard (37/16")	<b>94-2200X</b> 22325-55B, 22355-53, 22355-48, 22355-41	\$41.95
+.010"	<b>94-2201X</b> 22327-55B, 22357-48, 22357-41	\$41.95
+.020"	<b>94-2202X</b> 22328-55B, 22358-53, 22358-48, 22358-41	\$41.95
+.030"	<b>94-2203X</b> 22329-55B, 22359-48, 22359-41	\$41.95
+.040"	<b>94-2204X</b> 22330-55B, 22360-48, 22360-41	\$41.95
+.050"	<b>94-2205X</b>	\$41.95
+.060"	<b>94-2206X</b> 22334-78A, 22334-78B, 21920-83	\$41.95
+.070"	<b>94-2207X</b> 22335-78A, 22335-78B, 21922-83	\$41.95
+.080"	<b>94-2208X</b> 22336-78B, 21923-83	\$41.95
+.090"	<b>94-2209X</b> 22337-78B, 21924-83	\$41.95

## NOTES

When ordering pistons for a shovel engine, please keep in mind that these pistons are sized by 37/16" standard bore for a 74" engine. If using 80" cylinders standard bore is 3 1/2" or 37/16" +.060".

## REPLACEMENT WRISTPINS AND KEEPERS

Description	Part #	MSRP
Wristpin .791" diameter	<b>106-6123</b>	\$24.95
Wristpin keeper, c-clip	each <b>94-9254-S</b>	\$0.95
	4 pack <b>94-9254</b>	\$3.95

# FORGED 3-5/8" BORE PISTONS FOR 1936–'84 OHV ENGINES

## FITMENT

- 88", 93", 96", 98" and 103" engines for 1936–'84 OHV big twins

## FEATURES AND BENEFITS

- Forged pistons for superior strength
- Modern alloys and piston skirt profiles for low noise and long engine life
- Dome volume 30cc
- Piston kits include set of pistons, rings, wristpins, and clips

## OPTIONS

- Available in 3/8" Standard, +.010", .020", .030", and .060" oversizes



106-5535

S&S will fit these pistons to your existing cylinders (when purchasing new cylinders, pistons can be fit to them as an option)

S&S® 3/8" BORE FORGED PISTON APPLICATION CHART						
Displacement	Wristpin Deck Height	Stroke	Flywheel Diameter	Compression Ratio	Cylinder Length	
					SH-Series & P-Series Engines	KN-Series Engines
88"	1.260"	4¼"	8½"	7.5:1	5.330"	–
93"	1.260"	4½"	8½"	8.5:1	5.405"	5.625"
93" HC	1.260"	4½"	8½"	9.1:1	5.363"	–
96"	1.260"	4¾"	8½"	9.1:1	5.440"	–
98"	1.260"	4¾"	8½"	8.9:1	5.530"	–
103"	1.260"	5"	8¾"	9.7:1	5.630"	–

## FORGED 3/8" BORE PISTON SETS FOR 1936–'84 OHV BIG TWINS

Oversize	Wristpin Deck Height	Part #	MSRP
Standard (3/8")	1.260"	<b>106-5535</b>	\$339.95
+.010"	1.260"	<b>106-5536</b>	\$339.95
+.020"	1.260"	<b>106-5537</b>	\$339.95
+.030"	1.260"	<b>106-5538</b>	\$339.95
+.060"	1.260"	<b>106-5789</b>	\$339.95

Recommended Piston Fit Close: .003" - .0035" Loose: .004" - .005"

## NOTES

Compression ratios will change when replacing existing pistons in S&S engines with this series of forged pistons. If higher compression is desired, we suggest shortening cylinders, or decking heads to achieve the desired compression ratio. A change of .060" will produce approximately 1 point of change in the compression ratio.

## REPLACEMENT RINGS FOR FORGED 3/8" BORE PISTONS

Oversize	Part #	MSRP
Standard (3/8")	<b>94-1220X</b>	\$41.95
+.010"	<b>94-1221X</b>	\$41.95
+.020"	<b>94-1222X</b>	\$41.95
+.030"	<b>94-1223X</b>	\$41.95
+.060"	<b>94-1226X</b>	\$41.95

## REPLACEMENT WRISTPINS AND KEEPERS

Description	Part #	MSRP
Wristpin .791" diameter	<b>106-6123</b>	\$24.95
Wristpin keeper, c-clip	each <b>94-9254-S</b>	\$0.95
	4 pack <b>94-9254</b>	\$3.95

# REPLACEMENT PISTON RINGS FOR UL CYLINDERS

## REPLACEMENT RINGS FOR CAST PISTON KITS

Oversize	Part #	MSRP
Standard (3 $\frac{1}{16}$ "	<b>940-0006</b>	\$41.95
+ .010"	<b>940-0007</b>	\$41.95
+ .020"	<b>940-0008</b>	\$41.95
+ .030"	<b>940-0009</b>	\$41.95
+ .040"	<b>940-0010</b>	\$41.95
+ .060"	<b>940-0011</b>	\$41.95

# REPLACEMENT FORGED STROKER PISTONS FOR 1972–'85 HARLEY-DAVIDSON® IRONHEAD SPORTSTER®

## FEATURES AND BENEFITS

- 3 $\frac{3}{16}$ " bore stroker pistons are designed to be used in conjunction with S&S 4 $\frac{5}{8}$ " stroke flywheels to convert 1000cc Ironhead engines in 1972–'85 Harley-Davidson® Sportster® models to 1200cc (74") displacement.
- Can also be used to replace pistons in older S&S stroker engines with 4 $\frac{1}{16}$ ", 4 $\frac{9}{16}$ ", 4 $\frac{1}{2}$ ", and 4 $\frac{3}{16}$ " stroke flywheels. All clearances must be checked. See chart below for displacements and compression ratios. These pistons are normally used in stock Harley-Davidson® cylinders. No cylinders are available from S&S for Ironhead Sportster models.
- Piston kits include rings and keeper buttons.



106-5544

## STROKER PISTONS SPECIFICATIONS FOR 1972–'85 HARLEY-DAVIDSON® IRONHEAD SPORTSTER® MODELS

Displacement	71"	72"	73"	74"	77"*
Stroke	4 $\frac{7}{16}$ "	4 $\frac{1}{2}$ "	4 $\frac{9}{16}$ "	4 $\frac{5}{8}$ "	4 $\frac{13}{16}$ "
Cylinder Length	5.330"	5.330"	5.330"	5.330"	5.330"
Compression	7.5:1	8:1	8.5:1	9:1	9:1

\*Requires  $\frac{1}{8}$ " base plates and small diameter flywheels.

## STROKER PISTONS KITS FOR 1972–'85 HARLEY-DAVIDSON® IRONHEAD SPORTSTER® MODELS

Oversize	Deck Height	Part #	MSRP
+ .010	.806"	<b>106-5542</b>	\$388.95
+ .020	.806"	<b>106-5543</b>	\$388.95
+ .030	.806"	<b>106-5544</b>	\$388.95
+ .060	.806"	<b>106-5791</b>	\$388.95

Recommended Piston Fit: Close: .0030"–.0035" Loose: .0045"–.0055"

## REPLACEMENT MOLY FACED RINGS FOR 1972–'85 HARLEY-DAVIDSON® IRONHEAD SPORTSTER® MODELS

Oversize	Part #	MSRP
+ .010	<b>94-3201X</b>	\$36.95
+ .020	<b>94-3202X</b>	\$36.95
+ .030	<b>94-3203X</b>	\$36.95
+ .040	<b>94-3204X</b>	\$41.95
+ .060	<b>94-3206X</b>	\$36.95

## REPLACEMENT WRISTPINS AND BUTTONS



94-9351

Description	Part #	MSRP
Wristpin .791" diameter	<b>94-9350</b>	\$41.95
Keeper Buttons	4 pack <b>94-9351</b>	\$26.95

## NOTES

If replacing the pistons in a older 77" stroker engine, stroker plates are required, and all clearances must be checked.



# SUPER STOCK™ CYLINDER HEADS FOR 1966–'84 BIG TWIN ENGINES

## FITMENT

- 1966–'84 big twins
- SH-Series engines

## FEATURES AND BENEFITS

- Stock appearance and improved performance
- S&S .590" lift valve springs
- Fits stock intake manifolds and exhaust pipes
- Rocker cover fastened with 5/16" - 18 hex-head cap screws

## OPTIONS

- Stock bore or 3 3/8" bore
- O-ring or rubber band style manifold
- Natural aluminum or wrinkle black powder coat finish (wblack)
- Dual spark plugs and/or external oil return lines by special order

## KIT CONTENTS

- Front and rear assembled cylinder heads complete with valves and .590" springs
- Head, rocker and exhaust gaskets
- Mounting hardware and instructions

### CYLINDER HEAD KITS FOR 1966–'84 BIG TWIN ENGINES

Engine Year and Type	Bore	Aluminum Finish	MSRP	WBlack	MSRP
1966-'78 (O-ring)	Stock	<b>90-1496</b>	\$1,453.95	<b>90-1596</b>	\$1,574.95
	3 3/8"	<b>90-1497</b>	\$1,453.95	<b>90-1597</b>	\$1,574.95
	3 3/8" Dual Plug	<b>90-1491</b>	\$1,592.95	–	–
1979-'84 (Band)	Stock	<b>90-1498</b>	\$1,453.95	<b>90-1598</b>	\$1,574.95
	3 3/8"	<b>90-1499</b>	\$1,453.95	–	–
	3 3/8" Dual Plug	<b>90-1488</b>	\$1,592.95	–	–
Special Order*	Specify	<b>90-1490*</b>	Call for Pricing	<b>90-1490*</b>	Call for Pricing

\*Use this special order part number to order assembled or unassembled cylinder heads with spring options, and special finish. Front or rear heads available by special order. Download the Special Order Form at [sscycle.com/soforms](http://sscycle.com/soforms)  
DISCLAIMER: NOT LEGAL FOR SALE OR USE IN CALIFORNIA ON ANY POLLUTION CONTROLLED MOTOR VEHICLE. Not legal for sale or use on any EPA pollution controlled motor vehicle.

# REPLACEMENT CYLINDER HEADS FOR P-SERIES ENGINES & RETRO CONVERSION KITS

## FITMENT

- P-Series engines
- 1966–'84 big twins
- Valve train update kit – available through Special Order

## FEATURES AND BENEFITS

- S&S .590" lift valve springs
- Late style valve chamber eliminates oil pooling
- Cooling channel between combustion chamber and rocker arms

## OPTIONS

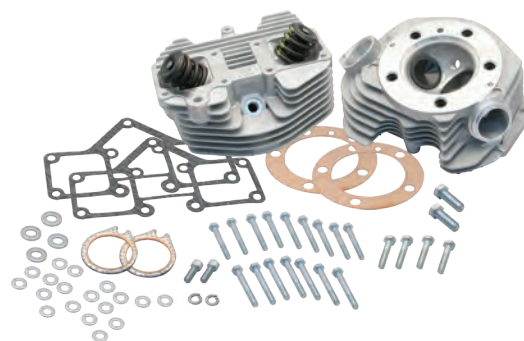
- Stock bore or 3 3/8" bore
- Dual spark plug available for 3 3/8" bore and special order
- Stock pan bolt pattern available through special order

## KIT CONTENTS

- Front and rear cylinder head complete with valves and springs
- Head, pan, and exhaust gaskets

### REPLACEMENT CYLINDER HEADS FOR S&S® P-SERIES ENGINES AND RETRO CONVERSION KITS

Description	Complete Kit (with Valves and Springs)	MSRP
Stock Bore	<b>106-0414</b>	\$1,453.95
3 3/8" Bore	<b>106-0417</b>	\$1,453.95
3 3/8" Bore Dual Plug	<b>106-0420</b>	\$1,592.95



90-1496

REPLACEMENT PARTS: SEE PAGE 492



106-0414

REPLACEMENT PARTS: SEE PAGE 490

## NOTE

These are not service part cylinder heads for panhead engines. They will not fit on stock panhead cylinders.

2007-2017 Milwaukee Twin Cam 96"/103"/110"  
1999-2006 Twin Cam 88"  
1986-2019 Sportster® & Buell®  
2014-2019 Street® & Street Rod®  
1984-1999 Evolution®  
1926-1984 Vintage Engines  
Indian® & Victory® Models  
Tools & Shop Supplies  
Apparel  
Warranty & Company Policy  
Appendix & Index

# ALUMINUM CYLINDER HEADS FOR 1937–'48 FLATHEAD SIDE-VALVE BIG TWIN ENGINES

### FITMENT

- 1936 V model engines
- 1937-'48 U model engines

### FEATURES AND BENEFITS

- Precision cast aluminum construction for better cooling
- Nine head bolt pattern

### OPTIONS

- Available compression ratios: 5.5:1, 6:1, 6.25:1, and 7:1 (80")
- 14mm or 18mm spark plug hole

### KIT CONTENTS

- Front and rear cylinder heads
- Copper head gaskets
- Head bolts NOT included



106-2475

### ALUMINUM CYLINDER HEADS FOR UL AND ULH MODELS

Description	Part #	MSRP
Set 16671-36, 16661-40	<b>106-2475*</b>	\$625.00

\*Special Order: Download the Special Order Form at [sscycle.com/soforms](http://sscycle.com/soforms)

# CYLINDER HEADS FOR 1940–'47 OHV BIG TWIN ENGINES

### FITMENT

- KN-Series engines
- 1940-'47 OHV big twins
- 1936-'39 with a manifold upgrade

### FEATURES AND BENEFITS

- Made of engineering-grade grey iron – better heat dissipation, less sound transfer
- Durable stock-look black powder coat finish
- Counter bore for 61" cylinder fire ring
- Set up for o-ring manifold or late style port plumber fittings
- 1.940" intake and 1.750" exhaust valve
- Valve springs allow cams with up to .480" lift
- Compatible with stock or S&S valve cover "tins"

### OPTIONS

- Fully assembled or unassembled
- Fully assembled with valves, rocker arms, tins and housings complete
- Guides installed for use with S&S® Vintage tins (valves ground)
- Guides not installed for use with stock tins (valves not ground)
- 14mm or 18mm spark plug hole



106-4929

### CYLINDER HEADS

Description	Part #	MSRP
Fully assembled heads	<b>106-4929*</b>	Call for Pricing
Unassembled heads	<b>106-2403*</b>	Call for Pricing

\*Special Order: Download the Special Order Form at [sscycle.com/soforms](http://sscycle.com/soforms)


**REPLACEMENT PARTS: SEE PAGE 492**

### NOTE

Stock 1948-'65 head bolts can be used in stock bore applications and are available on page 451, big bore applications must use the S&S 12 point head bolt also found on page 451.

# HEAD BOLT KITS FOR 1948-'84 BIG TWIN ENGINES

## HEAD BOLT KITS FOR 1948-'84 BIG TWIN ENGINES

Description	Part #	MSRP
1948-'84 Panhead & Shovelhead & 3 $\frac{3}{8}$ " Bore KN-Series Head Bolt Kit 6469HW $\frac{7}{16}$ "-20 x 2 $\frac{3}{8}$ " 12 pt stainless steel bolt #93-3025 washers.	<b>93-3024</b>	\$89.95
Stock Bore KN-Series & Stock Panhead 16814-48 Head Bolt Kit $\frac{7}{16}$ "-20 x 2 $\frac{3}{8}$ " Hex cad plated bolt #106-4523 washers.	<b>106-4523</b>	\$83.95
Oil Bypass Plug (Included with all S&S® stock bore shovelhead style cylinders) 	each	<b>93-1032-S</b> \$5.95
	2 pack	<b>93-1032</b> \$10.95



**106-4523**



**93-3024**

Shown: 1 bolt and washer. Kit includes 10 of each.

# CYLINDER HEAD & MOTOR MOUNTS

## CYLINDER HEAD AND MOTOR MOUNTS

Description	Part #	MSRP
Complete Kit for 1948-'84 Big Twin – Fits panhead and shovelhead engines with cylinders up to 5.750" long 16852-67A, 16853-48	<b>93-4057</b>	\$47.95
Screw, HHC, $\frac{7}{16}$ -20 x 1- $\frac{1}{4}$ " 4726	<b>50-0176</b>	\$2.95
Nut, Lock, HH, $\frac{7}{16}$ -20, Steel/Nylon 7825	<b>50-5045</b>	\$0.95
Washer, Flat, .469" x .922" x .125", Zinc, Steel 6495HW	<b>50-7064</b>	\$2.95



**93-4057**

# CYLINDER BASE NUTS & STUDS

## CYLINDER BASE NUTS AND STUDS

Fitment	Description	Part #	MSRP
Cylinder Base Studs 1930-'84 Big Twin	Stock length base stud - Fits 61", 74", and 80" OHV and SV models 2.030" overall length. 16831-30, 16837-30	each	<b>31-2328-S</b> \$5.95
		8 pack	<b>31-2328</b> \$37.95
	Extra long base stud - $\frac{3}{16}$ " longer than late stock studs 2.390" overall length 16837-78	each	<b>31-2324-S</b> \$29.95
		8 pack	<b>31-2324</b> \$236.95

NOTE: This leaves approximately 1.400" above the base gasket surface with 1" of crankcase thread engagement

Base Nuts 1930-'78 Big Twin (stock bore only)	Base Nut Kit - Cadmium plated, includes lock washers.	8 pack	<b>106-4522</b>	\$21.95
---	---	--------	-----------------	---------

NOTE: This leaves approximately 1.400" above the base gasket surfaces with 1.125" of crankcase thread engagement.

Base Nuts 1966-'84 Big Twin	Stainless $\frac{7}{16}$ " hex allows the use of box end wrench to tighten base nuts on S&S Sidewinder® cylinders for shovelhead engines. Requires .375" - .400" stud engagement – stud height may need to be adjusted.	each	<b>93-3063-S</b>	\$8.50
		8 pack	<b>93-3063</b>	\$61.95



**31-2328-S**



**31-2324-S**



**93-3063-S**



**106-4522**

Showing one nut & washer. Kit includes 8 of each.

All reference to HD® part numbers is for identification purposes only. We in no way are implying that any of S&S Cycle's products are original equipment parts or that they are equivalent to the corresponding HD® part number shown.

# HYDRAULIC VALVE TRAIN CONVERSION KIT FOR SHOVELHEAD ENGINES

## FITMENT

- 1966–'84 big twins
- 1953–'65 engines using shovel cylinders and P-Series heads or engines using P-Series valve train update kits



## FEATURES AND BENEFITS

- Quiet, dependable hydraulic valve train
- Through the pushrod or external oiling options
- Easy pushrod installation and removal
- Wide selection of late style cams to choose from

## OPTIONS

- Kit for use with S&S roller rocker arms for oiling through pushrods
- Kit for use with stock style rocker arms for oiling through external oil line

## KIT CONTENTS

- Polished billet tappet guides
- Four 1984-'99 style tappets w/HL<sub>2</sub>T kit
- Set of Quickee Adjustable pushrods
- Pushrod cover keepers
- Required hardware and gaskets



33-5452

## HYDRAULIC VALVE TRAIN CONVERSION KIT FOR SHOVELHEAD ENGINES

Description	Part #	MSRP
For use with S&S roller rocker arms.	<b>33-5451</b>	\$914.95
For use with stock shovelhead style rocker arms	<b>33-5452</b>	\$914.95

## REPLACEMENT PARTS

Description	Part #	MSRP
Quickee Adjustable Pushrods for 74"- 103" Shovels	For S&S Rocker Arms <i>(oil through pushrods)</i>	<b>93-5123</b> \$175.95
	For Stock Rocker Arms <i>(oil through external oil lines)</i>	<b>93-5134</b> \$175.95
Billet Tappet Guides – Polished	Set	<b>33-5450<sup>±</sup></b> \$426.95
	Front	<b>33-5450F<sup>±</sup></b> \$256.95
	Rear	<b>33-5450R<sup>±</sup></b> \$256.95
Tappets  1,2,3	Without HL <sub>2</sub> T Kit <i>(Set of four)</i> 18523-86A	<b>33-5352</b> \$304.95
	With HL <sub>2</sub> T Kit <i>(Set of four)</i>	<b>33-5353</b> \$325.95

<sup>±</sup> WARNING: Cancer and Reproductive Harm – www.P65Warnings.ca.gov

## NOTES

1984-'99 cams must be used with this kit to ensure correct valve timing. These cams are not included with the kit. Refer to page 435 for S&S camshaft recommendations to be used with this kit. If sourcing cams from another manufacturer, note that timing specifications will be unchanged, but the actual lift will be about 9% lower than specified due to the difference in rocker arm ratio.

S&S billet tappet guides for shovelhead engines are similar in design to S&S tappet guides for 1984-'99 big twin engines. For that reason, they are not a direct replacement for stock parts, but must be used in conjunction with S&S tappets and cams for 1984-'99 big twin engines. Tappet bore geometry is corrected to compensate for the difference in pushrod angles between the engine types in order to maintain specified valve event timing. When selecting a cam, keep in mind that timing specifications will be the same as shown for 1984-'99 engines, but there will be about a 9% reduction in valve lift due to the lower shovelhead rocker arm ratio.

# TAPPET ASSEMBLIES

## FITMENT

- 1953-'84 bt

## FEATURES AND BENEFITS

- Precision machined tappets complete with premium hydraulic units
- Save money by reusing worn stock tappet guides with +.003" oversize



330-0381

## HYDRAULIC TAPPET ASSEMBLIES – 4 PACK

Standard	<b>330-0380</b>	\$469.95
+.003" Oversized	<b>330-0381</b>	\$524.95

# HYDRAULIC TAPPET COMPONENTS

## FITMENT

- 1953-'84 bt

## FEATURES AND BENEFITS

- Same quality components used in S&S tappet assemblies
- Compatible with stock tappets



330-0377



330-0384

## HYDRAULIC TAPPET COMPONENTS

Tappet Body – Standard	each	<b>330-0384</b>	\$66.95
Tappet Body - +.003"	each	<b>330-0385</b>	\$76.95
Hydraulic Insert	each	<b>330-0379</b>	\$86.95
Tappet Rollers*	4 pack	<b>330-0377</b>	\$128.95

\*Fits 1929-'56 Side Valve bt, 1936-'84 OHV big twins, and 1957-'85 ironhead Sportster® models

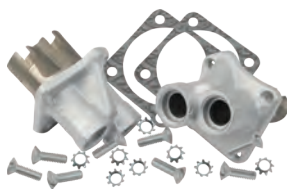
# TAPPET GUIDES FOR KNUCKLEHEAD ENGINES

## FITMENT

- 1936-'47 knucklehead and S&S® KN-Engines

## FEATURES AND BENEFITS

- Cast iron
- Mounting hardware and gaskets included



106-2410

## TAPPET GUIDES FOR KNUCKLEHEADS 1936–47 KNUCKLEHEAD AND S&S® KN ENGINES

Description	Part #	MSRP
Tappet, Set, Standard	<b>106-2410</b>	\$524.95
Front only 18600-36	<b>106-2665</b>	\$367.95
Rear only 18610-36	<b>106-2666</b>	\$367.95

# TAPPETS FOR KNUCKLEHEAD ENGINES

## FITMENT

- 1936-'47 knucklehead and S&S® KN-Engines

## FEATURES AND BENEFITS

- Includes lifter body wrench flat
- Includes adjusting screw and nut



106-1819

## TAPPETS FOR KNUCKLEHEADS

Description		Standard	MSRP	+.005"	MSRP
Tappet Set	4 pack	<b>106-1819</b>	\$321.95	<b>106-1820</b>	\$367.95
Tappet Assembly	Intake	<b>106-1815</b> 18491-36	\$79.95	<b>106-1816</b>	\$90.95
	Exhaust	<b>106-1817</b> 18493-36	\$79.95	<b>106-1818</b>	\$90.95

# QUICKEE ADJUSTABLE PUSHRODS

## FEATURES AND BENEFITS

- Can be installed or removed from an assembled engine



WATCH THE S&S PUSHROD INSTALLATION VIDEO AT [WWW.SSCYCLE.COM/VIDEOS](http://WWW.SSCYCLE.COM/VIDEOS)



93-5123

### QUICKEE ADJUSTABLE PUSHRODS

Application	Displacement	Part #	MSRP
1966-'84 bt*(S&S Rocker Arms)	74"-103"	<b>93-5123</b>	\$175.95
1966-'84 bt*(Stock Rocker Arms)	74"-103"	<b>93-5134</b>	\$175.95

\*S&S tappet guide, S&S 1984-'99 style tappets

## NOTES

S&S Quickee Adjustable pushrods are designed for use with 1984-up hydraulic tappets. They are not compatible with stock or aftermarket hydraulic tappets for shovelhead engines or most solid style tappets.

See page 452 for more information on S&S hydraulic valve train conversion kits, and see page 460 for more info on S&S roller rocker arms.

# PUSHROD KITS FOR 1966-'84 BIG TWIN ENGINES

## FEATURES AND BENEFITS

- 7/16" Chromoly steel tubing for maximum strength
- Reduced pushrod flex for precise valve control at high rpm
- Solid lifter conversion kits replace troublesome hydraulic tappets

## NOTE

If using S&S tappet guides for shovelhead engines, see S&S Quickee Adjustable pushrods.



93-5067

### ADJUSTABLE PUSHROD KITS FOR 1966-'84 BIG TWIN WITH SOLID LIFTER ADAPTERS

INCLUDES ADAPTERS FOR CONVERTING 1953-'84 STYLE HYDRAULIC LIFTERS TO NON-ADJUSTABLE SOLIDS.

Cylinder Length	5.330" (Stock)	MSRP	5.405" (+ 1/16")	MSRP	5.530" (+ 3/16")	MSRP	5.630" (+ 5/16")	MSRP
Part #	<b>93-5067</b>	\$136.95	<b>93-5014</b>	\$136.95	<b>93-5015</b>	\$136.95	<b>93-5016</b>	\$136.95



93-5068

### NON-ADJUSTABLE PUSHROD KITS FOR 1966-'84 BIG TWIN WITH ADJUSTABLE LIFTER ADAPTERS

INCLUDES ADAPTERS FOR CONVERTING 1953-'84 STYLE HYDRAULIC LIFTERS TO ADJUSTABLE SOLIDS. ADJUSTER SCREW IN THE LIFTER ADAPTERS.

Cylinder Length	5.330" (Stock)	MSRP	Special Order	MSRP
Part #	<b>93-5068</b>	\$136.95	<b>93-5062*</b>	Call for Pricing

\*Special Order: Download the Special Order Form at [sscycle.com/soforms](http://sscycle.com/soforms)

## PUSHROD KIT ONLY—FOR SOLID LIFTERS WITH 1948-'52 SOLID ADJUSTABLE LIFTERS

- Fits 1966-'84, 74" & 80" Shovelhead Engines
- Includes four non-adjustable steel pushrods. (Pushrods are identical to those used in kit part #93-5068.)
- Recommended for all shovelhead and shovelhead top/panhead bottom engines with 1948-'52 style lifters.



### NON-ADJUSTABLE PUSHROD KITS FOR 1966-'84 BIG TWIN

PUSHRODS FOR USE WITH 1948-'52 STOCK STYLE SOLID ADJUSTABLE LIFTERS.

Cylinder Length	5.330" (Stock)	MSRP
Part #	<b>93-5069</b>	\$83.95

## SERVICE PART PUSHROD KIT WITH HYDRAULIC LIFTERS

- Fits 1966-'84, 74" & 80" Shovelhead Engines
- Includes four adjustable steel pushrods. Stock adjusting screws (not included) must be used in these pushrods.



### ADJUSTABLE PUSHROD KITS FOR 1966-'84 BIG TWIN

FOR HYDRAULIC LIFTERS. SERVICE PARTS FOR 1966-'84.

Cylinder Length	5.330" (Stock)	MSRP
Part #	<b>93-5070</b> 17904-66	\$136.95

## PUSHROD KITS FOR 1948-'65 BIG TWIN ENGINES

- Converts valve train to solid lifter operation
- Includes all parts needed for conversion



93-5058

### PUSHROD KITS FOR 1948-'65 BIG TWIN NON-ADJUSTABLE PUSHRODS WITH ADJUSTABLE LIFTER ADAPTERS INCLUDES ADAPTERS FOR CONVERTING 1953-'84 STYLE HYDRAULIC LIFTERS TO ADJUSTABLE SOLIDS.

Cylinder Length		Part #	MSRP
5.205"	(Stock 61")	<b>93-5081</b>	\$136.95
5.330"	(Stock 74")	<b>93-5058</b>	\$136.95
5.405"	(+ 1/16")	<b>93-5082</b>	\$136.95
5.530"	(+ 3/16")	<b>93-5084</b>	\$136.95

### SOLID LIFTER PUSHROD KIT — FOR 1948-'52, 61" & 74" PANHEAD ENGINES

- Converts stock 1948-'52 valve train to solid lifter operation.
- Requires stock 1948-'52 style adjustable lifters.
- Pushrods are identical to those used in kit part #93-5058. See above.



93-5059

### NON-ADJUSTABLE PUSHROD KITS FOR 1948-'52 BIG TWIN PUSHRODS ONLY SOLID LIFTER CONVERSION PUSHRODS FOR 1948-'52 STOCK ADJUSTABLE LIFTERS. SET OF FOUR

Cylinder Length		Part #	MSRP
5.205"	(Stock 61")	<b>93-5029</b>	\$83.95
5.330"	(Stock 74")	<b>93-5059</b> 17905-53B	\$83.95

### SERVICE PART PUSHROD KIT – FOR 1953-'65 PANHEAD ENGINES WITH HYDRAULIC LIFTERS

- Includes four adjustable pushrods.



**MUST USE ORIGINAL ADJUSTING SCREW. (NOT SUPPLIED)**



93-5091

### ADJUSTABLE PUSHROD KITS FOR 1953-'65 BIG TWIN STOCK REPLACEMENT PUSHROD KITS ADJUSTABLE PUSHROD KITS FOR HYDRAULIC LIFTERS.

Cylinder Length		Part #	MSRP
5.330"	(Stock 74")	<b>93-5091</b>	\$136.95

## PUSHROD KITS FOR 1936-'47 BIG TWIN ENGINES

- Solid Lifter Pushrod Kit
- Fits 1936-'47, 61", 74" & 93" Knucklehead Engine
- Requires stock-style adjustable tappets.
- Includes four aluminum non-adjustable pushrods.
- The increase expansion of aluminum provides a quieter valve train.



### PUSHROD KITS FOR 1936-'47 BIG TWIN NON-ADJUSTABLE PUSHRODS KITS SOLID LIFTER PUSHRODS FOR 1948-'52 STOCK ADJUSTABLE LIFTERS

Cylinder Length		Part #	MSRP
5.530"	(Stock 74")	<b>930-0008</b> 17905-36	\$159.95
5.625"	(KN93")	<b>930-0009</b>	\$178.95


## TIME-SAVER ADJUSTABLE PUSHRODS



### FEATURES AND BENEFITS

- Eliminates the need to disassemble the top end and remove the rocker arms to change pushrods or camshafts
- Reduce installation time by 75% - Hence the name Time Saver
- Larger 9mm diameter chrome moly tubing provides superior strength and minimizes pushrod flex
- Single adjuster end provides pushrod lengths from 9.5" to 11.5" for stock height and taller engines
- Kit includes set of four pushrods and installation instructions
- Not compatible with stock shovelhead hydraulic tappets, but will work with tappets having 3/8" diameter cup.

### TIME-SAVER ADJUSTABLE PUSHRODS

Description	Part #	MSRP
Pushrod Set	930-0052 	\$178.95

## ADJUSTABLE CHROMOLY STEEL PUSHRODS



- Adjustable chromoly steel pushrods for 1966–'84 big twins
- Compatible with S&S or original equipment hydraulic tappets
- Set of four pushrods

### ADJUSTABLE CHROMOLY STEEL PUSHRODS

Description	Part #	MSRP
Pushrod Set	930-0051	\$115.95

## SOLID LIFTER CONVERSION KIT FOR 1953-'84 PANHEAD AND SHOVELHEAD ENGINES

- Hardened steel adapters, in place of stock hydraulic units in 1953-'84 lifters.
- Use with stock adjustable pushrods.

### SOLID LIFTER CONVERSION KIT

Description	Part #	MSRP
Kit includes four adapters.	33-5348	\$31.95
each	33-5336	\$8.95





# PUSHROD COVERS & RELATED REPLACEMENT PARTS

S&S pushrod cover kits include all of the parts required for four pushrods, except keepers. Keepers are not included because of different length requirements of some engines, but are available separately. Pushrod covers and pushrod keepers are available for 1936-up big twin engines and 1986-'90 Harley-Davidson® Sportster® models. Consult the chart below for the pushrod keepers you require. Sold in kits of four assemblies; enough for one engine.

## PUSHROD COVER KITS




*Includes top and bottom covers, cover cap, cover spring, and spring washer for four pushrods.*

Description	Part #	MSRP
1979-'84 big twin engines (o-ring style bottom cover)	<b>93-4040</b>	\$154.95
KN-Series & 1936-'47 OHV big twin engines 17939-36	<b>106-3949</b>	\$167.95

## NOTE

Keepers and o-ring kits are available but must be purchased separately.

## PUSHROD COVER PARTS

Description	Part #	MSRP
Top Cover 1966-up big twin 17935-66T, 17935-79B 	<b>93-4016</b>	\$13.95
Top Cover KN-Series & 1936-'47 OHV big twin 17935-36	<b>106-3850</b>	\$19.95
Bottom Cover 1979-'84 big twin	<b>93-4029-S</b>	\$19.95
Bottom Cover KN-Series & 1936-'47 OHV big twin 17983-40	<b>106-3851</b>	\$30.95
Cover Cap 1936-up big twin, 1957-'90 Sportster® 17945-36B 	<b>93-4017</b>	\$9.95
Cover Spring 1936-up big twin, 1957-'90 Sportster® 17947-36 	<b>93-4018</b>	\$2.95
Cover Cap Washer 6762B	<b>50-7131</b>	\$2.95
Bottom Cover Washer 6737	<b>50-7150</b>	\$0.95
Pushrod O-ring Kit (For o-ring style bottom cover) <i>Includes parts for four pushrods: top, middle, bottom o-rings.</i>	<b>93-4041</b>	\$10.95
Top O-ring 11293, 11157, 11101, 11190	<b>50-8039</b>	\$2.95
Middle O-ring 11132A	<b>50-8038</b>	\$2.95
Bottom O-ring 11145A	<b>50-8037</b>	\$2.95
Quad Seal 11133A	<b>50-8064-S</b>	\$3.95
O-ring Square 17955-36	<b>106-3849</b>	\$2.95



93-4040

All reference to HD® part numbers is for identification purposes only. We in no way are implying that any of S&S Cycle's products are original equipment parts or that they are equivalent to the corresponding HD® part number shown.

## KEEPER LENGTHS FOR STOCK HARLEY-DAVIDSON® ENGINES

74" & 80" shovelhead	3.330"
74" panhead	2.375"
74" knucklehead	3.312"
Ironhead Sportster®	2.375"
Shovelheads-with S&S tappet guides	2.900" (Subtract .430" from stock length)

## PUSHROD COVER KEEPER SETS

FOR 1936–'99 BIG TWINS AND HARLEY-DAVIDSON® SPORTSTER® MODELS

Length	Description	Part #	MSRP
2.400"		<b>93-4070</b> ± 17950-48	\$31.95
2.500"	900/1000cc + 1/8"	<b>93-4100</b> ±	\$31.95
2.600"		<b>93-4101</b> ±	\$31.95
2.800"		<b>93-4115</b> ± 17950-86	\$31.95
2.900"		<b>93-4102</b> ±	\$31.95
3.000"		<b>93-4103</b> ±	\$31.95
3.100"		<b>93-4104</b> ±	\$31.95
3.200"		<b>93-4105</b> ±	\$31.95
3.330"	74", KN74, 80", 84", 86", 88", 93", KN93	<b>93-4106</b> ± 17949-40, 17950-66	\$31.95
3.500"	96", 98"	<b>93-4107</b> ±	\$31.95
3.625"	103"	<b>93-4108</b> ±	\$31.95
4.250"	Custom. Extra long stainless steel 4.250". Customer to cut to required length.	<b>93-4109</b>	\$39.95



**93-4105**

Notes: Keepers are sold in sets of four. All S&S pushrod keepers are chromed steel, except part #93-4109. Keeper part #93-4109 is intended for unusually tall engines. It is manufactured of unchromed stainless steel to prevent rust or peeling after it is trimmed to the required length.

± **WARNING:** Cancer and Reproductive Harm – www.P65Warnings.ca.gov

**REPLACEMENT PARTS FOR MANY OF THE COMPONENTS SUPPLIED IN S&S PUSHROD KITS ARE AVAILABLE SEPARATELY. IN SOME CASES THEY MAY BE USED AS DIRECT REPLACEMENTS FOR STOCK ITEMS.**

## PUSHROD RELATED REPLACEMENT PARTS

Description	Part #	MSRP
Adjusting Unit Screw – 1936-'52 Style Fits stock 1936-'52 lifter with early stock 9/32"-32 threads. 18555-36	<b>33-5332</b>	\$7.95
Adjusting Unit Sleeve	<b>33-5331</b>	\$7.95
Ball End for S&S Adjustable Pushrods Fits S&S adjustable with 5/16"-32 threads. (Manufactured after 2-1-1996)	<b>93-5002</b>	\$11.95
Solid Lifter Adapter for S&S Adjustable Pushrod Converts stock 1953-'84 hydraulic lifter to non-adjustable solid lifter. For use with S&S adjustable pushrods in shovelhead engines (same as unit supplied in kit #93-5067)	<b>33-5335</b>	\$5.57
Adjusting Unit Locknut Fits S&S adjustable pushrods with early stock 9/32"-32 threads	<b>33-5333</b>	\$4.95
Fits S&S adjustable pushrods with 5/16"-32 threads. (Manufactured after 2-1-1996)	<b>93-5003-S</b>	\$3.95

All reference to HD® part numbers is for identification purposes only. We in no way are implying that any of S&S Cycle's products are original equipment parts or that they are equivalent to the corresponding HD® part number shown.

# HIGH-PERFORMANCE VALVE SPRING KITS FOR 1948–'84 BIG TWIN ENGINES

## .550" LIFT DOUBLE VALVE SPRING KIT

For 1948-'84 big twins with up to .550" lift.

- Includes 4 inner springs, 4 outer springs, 4 aluminum top collars and late 1981-'85 bottom covers
- Use with stock-style bottom collar, valve guides, valves with stock 3/8" stem, and stock keepers
- Compatible with thin-stem valves if thicker keepers (*that maintain correct valve stem-top collar engagement*) are used
- Late single bottom collars are available for use in S&S cylinder heads for shovels and stock late 1981-'85 heads



90-2053

S&S® .550" VALVE SPRINGS SPECIFICATIONS—1948–'84 BIG TWIN			
Lift	Installed Height	Seat Force	Force @ Max Lift
.550"	1.500"	150 lb.	343 lb.

## .550 LIFT VALVE SPRING KIT FOR 1948–'84 PANHEAD AND SHOVELHEAD ENGINES

Description	Part #	MSRP
For 1948-'84 Panhead and Shovelhead Engines	<b>90-2053</b>	\$188.95
Bottom Collar – Late 1981-'84 18222-81 (each)	<b>90-2038</b>	\$15.95

### NOTE

Panhead engines usually require clearancing between rocker cover and top collar.

## .590" LIFT TRIPLE VALVE SPRING KIT

For 1981-'84 big twins and S&S SH and P Series heads with up to .590" lift.

- Includes 4 steel top collars, 4 bottom collars, 4 each outer, middle, and inner springs, shims, and 8 keepers
- Use with stock valve guides, stock valves with 3/8" stem, and stock keepers
- Compatible with thin-stem valves if thicker keepers (*that maintain correct valve stem-top collar engagement*) are used



90-2063

S&S® .590" VALVE SPRINGS SPECIFICATIONS—1981–'84 BIG TWIN			
Lift	Installed Height	Seat Force	Force @ Max Lift
.590"	1.480"	157 lb.	356 lb.

## .590 LIFT VALVE SPRING KIT FOR –1981–'84 BIG TWIN

Description	Part Number	MSRP
For Late 1981-'84 and All S&S Cylinder Heads	<b>90-2063</b>	\$188.95

### NOTE

.590" spring kit is year-group specific because of different bottom collars supplied with early and late kits. S&S heads require late 1981-'84 style kit, part #90-2063. When ordering replacement valve springs for S&S cylinder heads for shovelhead engines, order the 1981-'84 style part #90-2063.

# VALVE SPRING KIT FOR 1936–'47 BIG TWINS

- Fits S&S KN-Series engines and stock 1936-'47 knucklehead engines
- Accommodates cams with valve lifts up to .480"
- Kit consists of inner and outer springs for four valves, spring collars, shims, and valve keepers.

### S&S® .480" VALVE SPRINGS SPECIFICATIONS – 1936–'47 BIG TWIN

Lift	Installed Height	Seat Force	Force @ Max Lift
.480"	1.315"	160 lb.	310 lb.



900-0535



106-3637

### .480" VALVE SPRINGS FOR 1936–'47 BIG TWINS

Description	Part #	MSRP
S&S Valve Spring Kit for 1936-'47 OHV bt	<b>106-6398</b>	\$314.95

### CAST IRON VALVE GUIDES FOR 1936–'47 OHV

Description	Part #	MSRP
Standard	<b>106-3637</b> 18185-40, 18181-36	\$19.95
+.002"	<b>106-3948</b> 18187-40, 18184-36	\$28.95
+.004"	<b>106-3638</b>	\$28.95
+.008"	<b>106-3639</b>	\$28.95

### REPLACEMENT PARTS FOR .480" VALVE SPRINGS

Description	Part #	MSRP
Springs, valve, dual, .480"	<i>each</i>	<b>106-4362</b> \$62.95
	<i>4 pack</i>	<b>900-0535</b> \$197.95
Top collar, valve spring	<b>106-3828</b>	\$13.95
Keepers, valve spring, top collar	<i>each</i>	<b>90-2037-S</b> \$3.95
	<i>8 pack</i>	<b>50-7165</b> \$28.95
Bottom collar, valve spring	<b>106-3827</b>	\$14.95
Shim, valve spring .015"	<b>106-4549</b>	\$3.95
Bottom collar spacer	<b>106-5094</b>	\$13.95

## NOTE

These springs will not fit over stock guides. Stock guides must be turned down or S&S® Vintage guides must be used.

# ROLLER ROCKER ARMS FOR 1966–'84 BIG TWIN ENGINES

### FITMENT

- 1966-'84 big twins
- P-Series engines
- SH-Series engines

### FEATURES AND BENEFITS

- 8620 steel heat treated forgings for maximum strength
- .750" rocker arm bushing for 50% more load bearing area than stock .500" bushings
- Roller tip reduces valve tip wear and side thrusting
- 1.5:1 rocker ratio
- Oil passage allows top end oiling through pushrods
- Compatible with stock or S&S billet rocker boxes



900-4320A

### ROCKER ARMS FOR SHOVELHEAD ENGINES

Description	Part #	MSRP
Set (includes two each front and rear rocker arms)	<b>900-4320A</b>	\$546.95
Front exhaust or rear intake 17375-66A	<b>900-4320FA</b>	\$167.95
Rear exhaust or front intake 17360-66A	<b>900-4320RA</b>	\$167.95

### REBUILD KIT S&S® ROLLER ROCKER ARMS

Rebuilds four rocker arms	<b>90-4321</b>	\$130.95
---------------------------	----------------	----------

All reference to HD® part numbers is for identification purposes only. We in no way are implying that any of S&S Cycle's products are original equipment parts or that they are equivalent to the corresponding HD® part number shown.

# ROCKER ARMS AND SHAFTS FOR 1936–'47 OHV BIG TWINS

## FITMENT

- 1936-'47 OHV big twins
- Compatible with S&S® or stock tins
- Rocker arms are not compatible with stock rocker shafts

## FEATURES AND BENEFITS

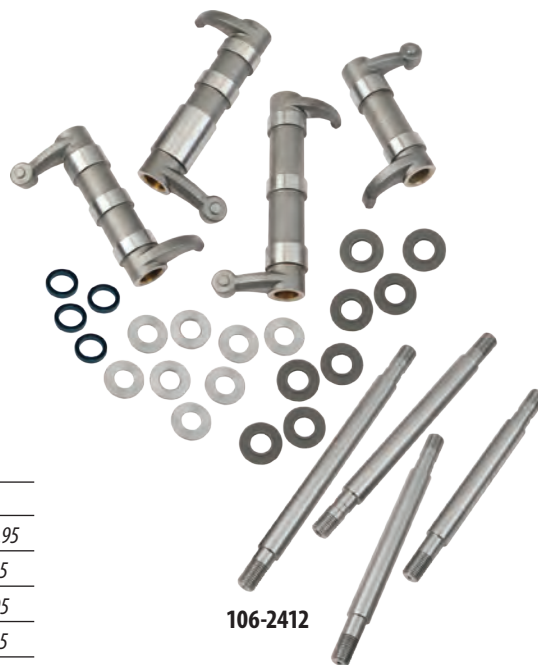
- High quality CNC machined
- 1:1 stock knuckle rocker arm ratio
- Improved oil control

## KIT CONTENTS

- Four rocker arms FE, FI, RI, and RE, Four rocker shafts, Washers and spacers

### ROCKER ARMS AND SHAFTS FOR 1936–'47 OHV BIG TWINS

Description		Part #	MSRP
Rocker Arms and Shaft Set (includes hardware)	4 pack	<b>106-2412</b>	\$1,102.95
Front Intake (includes shaft and spacers)	each	<b>106-2862</b>	\$325.95
Front Exhaust (includes shaft and spacers)	each	<b>106-2863</b>	\$346.95
Rear Intake (includes shaft and spacers)	each	<b>106-2864</b>	\$325.95
Rear Exhaust (includes shaft and spacers)	each	<b>106-2865</b>	\$346.95
Rocker Shaft Set (includes spacers and hardware)	4 pack	<b>106-2413</b>	\$371.95
Nut and Washer Kit, Rocker Shaft Left Side 7831	4 pack	<b>106-3632</b>	\$6.95
Nut and O-Ring, Rocker Box, KN-Series 17447-36	each	<b>106-4355</b>	\$26.95



All reference to HD® part numbers is for identification purposes only. We in no way are implying that any of S&S Cycle's products are original equipment parts or that they are equivalent to the corresponding HD® part number shown.

# VALVE SPRING COVERS (TINS) FOR KN-SERIES ENGINES

## FITMENT

- KN-Series engines

## FEATURES AND BENEFITS

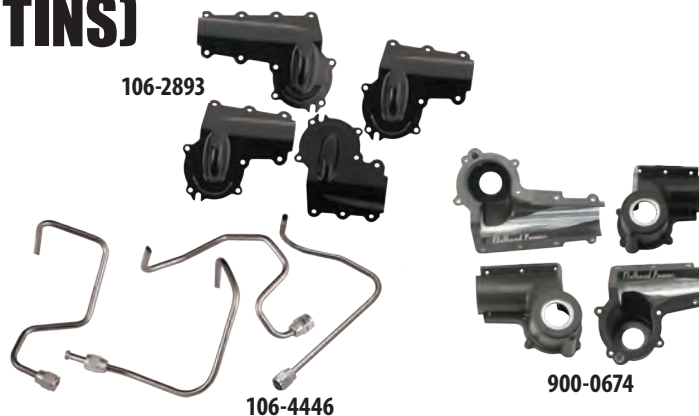
- Improved design for better oil scavenging and less leaking
- Die-cast lower covers can be removed without pressing out valve guides
- Improved oil return lines are easy to replace and service
- Relatively stock appearance

## OPTIONS

- Chrome, silver powder coat and gloss black powder coat finishes

## KIT CONTENTS

- Lower cover kit contains set of four lower covers and gaskets
- Top cover kits contain four top covers and gaskets
- Oil return lines must be purchased separately



### OIL LINE RETURN 1936–'47 OHV BT (TINS ONLY)

CNC bent stainless steel for a perfect fit and long life

Description	Part #	MSRP
Kit of 4	<b>106-4446</b>	\$153.95
Front Intake	<b>106-4447</b>	\$45.95
Front Exhaust	<b>106-4448</b>	\$40.95
Rear Intake	<b>106-4449</b>	\$45.95
Rear Exhaust	<b>106-4450</b>	\$40.95
Seal, Oil Return Line, 28" OD x .18" ID x 1", Rubber Hose	<b>106-4456</b>	\$9.95
Rocker arm cover gasket kit	<b>900-0493</b>	\$178.95

### VINTAGE VALVE SPRING COVER KITS

Description		Part#	MSRP
Lower Cover Kit	Black anodized	<b>900-0674</b>	\$839.95
	Chrome	<b>106-2400</b> ±	\$259.95
Top Cover Kit	Chrome	<b>106-2400</b> ±	\$259.95
	Gloss black	<b>106-2893</b>	\$209.95

± ⚠️ WARNING: Cancer and Reproductive Harm – www.P65Warnings.ca.gov

## NOTE



Requires the use of valve springs 106-6398 and Valve guides 106-3637 or corresponding oversizes. Stock rocker arms and shafts will require modifications to be used.

Milwaukee  
Eight  
Twin Cam  
96"/103"/110"  
1999-2006  
Twin Cam 88"  
1986-2019  
Sportster® & Buell®  
2014-2019  
Street® &  
Street Rod®  
1984-1999  
Evolution®

1926-1984  
Vintage Engines

Indian® &  
Victory® Models

Tools  
& Shop Supplies

Apparel

Warranty &  
Company Policy

Appendix  
& Index

# ROCKER ARM HOUSINGS FOR 1936–'47 OHV ENGINES

### FITMENT

- Faithful reproductions of the stock "knuckles" for 1936-'47 OHV big twins.

### FEATURES AND BENEFITS

- Excellent for stock replacement and restoration.
- Does not include hardware and fittings.



900-0618

### ROCKER ARM HOUSINGS FOR 1936–'47 OHV ENGINES

Description		Part #	MSRP
Polished	Set	900-0617	\$577.95
	Front	900-0618	\$314.95
	Rear	900-0619	\$314.95
Natural	Set	900-0622	\$409.95
	Front	900-0623	\$225.95
	Rear	900-0624	\$225.95



### OIL FEED LINE

Description	Part #	MSRP
74" & 93"	106-4670	\$83.95

# POLISHED BILLET ROCKER COVERS FOR 1966–'84 BIG TWIN ENGINES

### FITMENT

- 1966-'84 shovelhead engines with stock or S&S cylinder heads
- SH-Series engines

### FEATURES AND BENEFITS

- CNC machined from 6061-T6511 aluminum billet and polished to a show finish
- Two piece design for easy installation
- Some frames allow installation with engine in the frame
- Works with stock or S&S roller rocker arms
- Clearanced for valve lifts of up to .590" with S&S roller rocker arms
- Fastened to the heads with 5/16" bolts
- Simple and inexpensive straight rocker shafts

### KIT CONTENTS

- Front and rear rocker box assemblies
- Rocker shafts
- Gaskets, seals and mounting hardware
- Installation instructions



90-4305

### POLISHED BILLET ROCKER COVERS FOR 1966–'84 BIG TWIN ENGINES

Description	Part #	MSRP
Billet Rocker Cover Set for Shovelhead Engines	90-4305	\$1,049.95
Replacement Rocker Arm Shaft Set	90-4351	\$97.95

REPLACEMENT PARTS: SEE PAGE 494

# CHROME PAN COVERS FOR 1948–'65 BIG TWINS

### CHROME PAN COVER

Description	Part #	MSRP
Set 17500-48A	106-0919 <sup>±</sup>	\$249.95
<b>Replacement Parts</b>		
D-ring Set 17507-51	106-0920	\$94.95
Screw, SHCS 10-24 x 3/4" 2674, 2675	106-0913	\$3.95
Rocker arm cover gasket 1948-'65 bt 117541-48	each	900-0329 \$17.95
	2 pack	900-0339 \$31.95



106-0919<sup>±</sup>

<sup>±</sup> ⚠️ WARNING: Cancer and Reproductive Harm – www.P65Warnings.ca.gov

All reference to HD® part numbers is for identification purposes only. We in no way are implying that any of S&S Cycle's products are original equipment parts or that they are equivalent to the corresponding HD® part number shown.

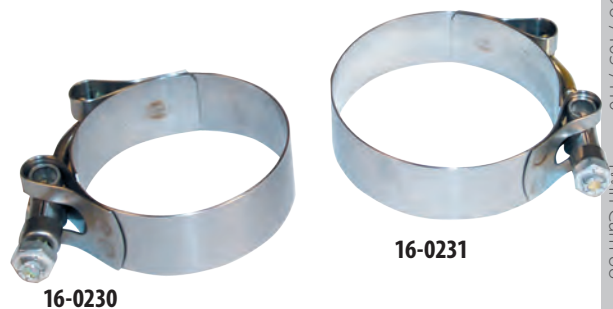
# INTAKE MANIFOLD O-RINGS AND CLAMPS

## FITMENT

- Panhead, shovelhead, and Harley-Davidson® Ironhead Sportster® models

## FEATURES AND BENEFITS

- Replace your flimsy and troublesome stock clamps
- ¾" wide and constructed of .020" thick stainless steel and use a curved 10-24 threaded "T"-bolt with plated steel aircraft hex locknut
- Sold individually—Two are required for each engine
- S&S intake manifold o-rings and rubberbands are made of special materials that resist destruction from the additives in today's fuel



16-0230

16-0231

## 1955–'78 BIG TWIN, 1957–'78 IRONHEAD SPORTSTER® MODELS, AND S&S KN, P, & SH SERIES ENGINES WITH O-RING STYLE CYLINDER HEADS

Description	Part #	MSRP
O-ring 27060-55	<b>50-8046</b>	\$5.95
10 Pack 27060-55	<b>50-8132</b>	\$41.95
Clamp for O-ring Style 27063-57	<b>16-0230</b>	\$21.95

## 1979–'84 BIG TWIN, 1979–'85 IRONHEAD SPORTSTER® MODELS WITH RUBBERBAND STYLE CYLINDER HEADS

Description	Part #	MSRP
Rubberband 27062-78	<b>16-0238</b>	\$4.95
10 pack 27062-78	<b>16-0245</b>	\$35.95
Clamp for Band Style 27063-80, 27063-78	<b>16-0231</b>	\$15.95

# ELECTRONIC TIMERS

- Fits S&S and stock generator style cases and allows the use of S&S Super Stock™ or other late style electronic ignition systems. (Ignition sold separately).
- Requires reverse timing gears for use in generator style engines.
- The domed billet timer has a period correct look for 1964 and earlier engines.



55-1269



106-4622 ±

## ELECTRONIC TIMERS

Description	Part #	MSRP
Billet generator style electronic timer	<b>55-1269</b>	\$619.95
Domed	<b>106-4622±</b>	\$619.95

± WARNING: Cancer and Reproductive Harm – www.P65Warnings.ca.gov

# MANIFOLDS FOR STOCK ENGINES, P-SERIES, SH-SERIES & KN-SERIES ENGINES

- Manifolds for 1955-'65 panhead engines with "o-ring" style cylinder heads are available in 1 7/8" bore only.
- 1936-'54 knuckle and pan cylinder heads with "plumber" style intake mounting nipples must be converted to accept a 1955 to 1965 o-ring manifold.



16-1103

### O-RING STYLE MANIFOLD FOR 1955-'65 BIG TWIN

Cylinder Length	Manifold Length (Between Ports)	S&S ES, LS, A, Super B, E – Tillotson®, Bendix®, Keihin®	MSRP
Stock - 5.330"	2.975"	<b>16-1100</b>	\$95.95
5.392" – + 1/16"	3.025"	<b>16-1101</b>	\$209.95
5.455" – + 1/8"	3.075"	<b>16-1102</b>	\$125.95
5.517" – + 3/16"	3.125"	<b>16-1103</b>	\$209.95
Special Order*	Specify	<b>16-1106A</b>	Call for pricing

\*Special Order: Download the Special Order form at: [sscycle.com/soforms](http://sscycle.com/soforms)



16-1200

### O-RING STYLE MANIFOLDS FOR 1966-'77 BIG TWINS

Stock or S&S Engine Displacement	Cylinder Length	Size	S&S ES, LS, Super A, B, E, Tillotson®, Bendix®, Keihin®	MSRP	Super G	MSRP	Super D	MSRP
74", 80", 84", 88"	Stock 5.330"	220	<b>16-1200</b> 27021-71A	\$95.95	<b>16-2200</b>	\$95.95	–	–
93" HC	5.363"	222	<b>16-1201</b>	\$95.95	<b>16-2201</b>	\$95.95	–	–
93"	5.405"	225	<b>16-1223</b>	\$95.95	<b>16-2223</b>	\$95.95	–	–
96"	5.440"	228	<b>16-1202</b>	\$95.95	<b>16-2202</b>	\$95.95	–	–
98"	5.530"	235	<b>16-1204</b>	\$95.95	<b>16-2204</b>	\$95.95	–	–
103"	5.630"	242	<b>16-1206</b>	\$95.95	<b>16-2206</b>	\$95.95	–	–
Special Order*	Specify	–	<b>16-1216</b>	Call for pricing	<b>16-2216</b>	Call for pricing	<b>16-3216</b>	Call for pricing

\*Special Order: Download the Special Order form at: [sscycle.com/soforms](http://sscycle.com/soforms)



16-2200

### O-RING STYLE VOES MANIFOLD FOR KN-SERIES ENGINES

Engine Type	Cylinder Length	S&S ES, LS, A, Super B, E – Tillotson®, Bendix®, Keihin®	MSRP
KN93	5.625"	<b>106-4530</b>	\$157.95
KN74	5.530"	<b>160-0008</b>	\$95.95

Equipped with a VOES fitting for use with the S&S Super Stock Ignition system. Heads must be set up with o-ring adaptor inserts part #106-4654 (2 required).

### O-RING STYLE MANIFOLDS WITH VOES FOR SH-SERIES AND P-SERIES ENGINES

Stock or S&S Engine Displacement	Cylinder Length	Size	S&S ES, LS, Super A, B, E, Tillotson®, Bendix®, Keihin®	MSRP	Super G	MSRP
SH80	Stock - 5.330"	220	<b>16-1230</b>	\$104.95	–	–
SH93H, P93H	5.363"	222	<b>16-1231</b>	\$122.95	–	–
SH93, P93	5.405"	225	<b>16-1233</b>	\$122.95	–	–
SH103, P103	5.630"	242	–	–	<b>16-2236</b>	\$104.95
Special Order*	Specify	–	<b>16-1216</b>	Call for pricing	<b>16-2216</b>	Call for pricing

\*Special Order: Download the Special Order form at: [sscycle.com/soforms](http://sscycle.com/soforms)



106-4530



16-1230

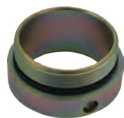
### O-RING STYLE MANIFOLDS FOR 1957-'78 HARLEY-DAVIDSON® IRONHEAD SPORTSTER® MODELS

Engine Displacement	Cylinder Length	Size	S&S ES, LS, Super A, B, E, Tillotson®, Bendix®, Keihin®	MSRP	Super G	MSRP
900cc, 1000cc	Stock 5.330"	220	<b>16-1200</b> 27021-71A	\$95.95	<b>16-2200</b>	\$95.95
Special Order*	Specify	–	<b>16-1216</b>	Call for pricing	<b>16-2216</b>	Call for pricing

\*Special Order: Download the Special Order form at: [sscycle.com/soforms](http://sscycle.com/soforms)



# MANIFOLDS CON'T



106-4654

### ADAPTOR

Description	Part #	MSRP
Converts stock "plumber" style heads to o-ring <i>(sold each, two required)</i>	<b>106-4654</b>	\$42.95



16-1300

### RUBBERBAND STYLE MANIFOLDS FOR 1978-'84 BIG TWINS

Stock or S&S Engine Kit Displacement	Cylinder Length	Size	S&S ES, LS, Super A,B, E, Tillotson®, Bendix®, Keihin®	MSRP	Super G	MSRP
74", 80", 84", 88"	Stock 5.330"	220	<b>16-1300</b> 27021-78	\$95.95	<b>16-2300</b>	\$104.95
93" HC	5.363"	222	<b>16-1301</b>	\$95.95	<b>16-2301</b>	\$104.95
93"	5.405"	225	<b>16-1323</b>	\$95.95	<b>16-2323</b>	\$104.95
96"	5.440"	228	<b>16-1302</b>	\$95.95	<b>16-2302</b>	\$104.95
98"	5.530"	235	<b>16-1304</b>	\$95.95	<b>16-2304</b>	\$104.95
103"	5.630"	242	<b>16-1306</b>	\$95.95	<b>16-2306</b>	\$104.95
Special Order*	Specify	–	<b>16-1316</b>	Call for pricing	<b>16-2316</b>	Call for pricing

\*Special Order: Download the Special Order form at: [sscycle.com/soforms](http://sscycle.com/soforms)



16-1400

### RUBBER BAND STYLE MANIFOLDS WITH VOES FITTING FOR 1983-'85 HD® IRONHEAD SPORTSTER® MODELS

Engine Displacement	Cylinder Length	Size	S&S ES, LS, Super A,B, E, Tillotson®, Bendix®, Keihin®	MSRP	Super G	MSRP
900cc, 1000cc	Stock 5.330"	220	<b>16-1400</b>	\$95.95	–	–
Special Order*	Specify	–	<b>16-1316</b>	Call for pricing	<b>16-2316</b>	Call for pricing

\*Special Order: Download the Special Order form at: [sscycle.com/soforms](http://sscycle.com/soforms)



16-2300

### RUBBER BAND STYLE MANIFOLDS WITHOUT VOES FITTING FOR 1979-'82 HD® IRONHEAD SPORTSTER® MODELS

Engine Displacement	Cylinder Length	Size	S&S ES, LS, Super A,B, E, Tillotson®, Bendix®, Keihin®	MSRP	Super G	MSRP
900cc, 1000cc	Stock 5.330"	220	<b>16-1300</b> 27021-78	\$95.95	<b>16-2300</b>	\$95.95
Special Order*	Specify	–	<b>16-1316</b>	Call for pricing	<b>16-2316</b>	Call for pricing

\*Special Order: Download the Special Order form at: [sscycle.com/soforms](http://sscycle.com/soforms)

# NOSTALGIC AIR CLEANER COVERS

## FITMENT

- Super E carbs
- Teardrop air cleaner kits for stock carbs

### NOSTALGIC AIR CLEANER COVER

Description	Part #	MSRP
Polished, Super E & G	<b>17-0071</b>	\$183.95



**NOTE**

Super B and Super E & G air cleaner covers are not interchangeable. They each have a unique bolt pattern.

# AIR HORN COVER

## FITMENT

- S&S short air horns

## FEATURES AND BENEFITS

- Sand casted just like the originals
- Really hard to tell them apart from the real deal

### AIR HORN COVER

Description	Part #	MSRP
For S&S short air horns	<b>17-0026</b>	\$112.95



# AIR HORNS & AIR HORN CONVERSION KITS

## SHORT AIR HORNS (2½")

- Fits S&S 1¾", 1⅞" L Series carbs and S&S 1⅞" Super A & B carbs
- Any stock carburetor with an identical air cleaner/air horn mounting pattern. These include Tillotson®, Bendix® or butterfly type Keihin®
- Available for S&S Super E & G carburetors

## LONG AIR HORNS (4")

- Available for S&S Super E, G, & D carbs

## KIT CONTENTS

### Air Horn Kit:

- Air Horn
- Three mounting screws

### Air Horn Conversion Kit:

- Air horn
- Three mounting screws
- Carb support bracket (bracket connects the center crankcase bolt to the bottom manifold carburetor mounting bolt)
- Two longer bottom carb to manifold mounting bolts
- Super E & G air horn conversion kit includes an enrichment device



Installed Air Horn  
(carb not included)

### AIR HORN SELECTION CHART

Description	Length	Super A & B	MSRP	Super E & G	MSRP	Super D	MSRP
Air Horn	2½"	<b>17-0043</b>	\$136.95	<b>17-0484</b> ±	\$149.95	—	—
Conversion Kits	4"	—	—	<b>17-0485</b> ±	\$149.95	—	—
Air Horn Only	2½"	<b>17-0042</b>	\$104.95	<b>17-0331</b>	\$96.95	—	—
	4"	—	—	<b>17-0333</b>	\$96.95	<b>17-0141</b>	\$146.95

± WARNING: Cancer and Reproductive Harm — www.P65Warnings.ca.gov

## NOTES

S&S recommends that air horns be used in racing applications only, as they do not provide the filtration required to protect the engine on a day-to-day basis.

Any installation of an air horn on an S&S carb in place of an air cleaner requires an S&S carb support bracket, part #16-0471, to securely fasten the carb to the engine. This bracket is included in the air horn conversion kits.

S&S recommends that the bowl vent plug at the bottom of carb body be removed when air horn is installed, as air horn may obstruct bowl vent in air cleaner mounting surface of the carb body.

# SUPER E & G SHORTY CARBURETOR KITS

## FITMENT

- 1936–'84 big twins
- 1957–'85 Harley-Davidson® Ironhead Sportster® (except models with vertical magneto)

## FEATURES AND BENEFITS

- Four fuel delivery ports – Better throttle response
- O-ring sealed idle mixture screw
- Increased air flow for more power
- Super E 17/8" (47.6mm) bore – for engines up to 100" displacement
- Super G 21/16" (52.4mm) bore – for engines 100" or greater displacement
- Adjustable enrichment starting system – does not restrict air flow like a conventional choke
- Adjustable accelerator pump
- S&S chrome Classic Teardrop air cleaner
- Two cable throttles required – see notes

## OPTIONS

- Complete kits for engines requiring stock length manifolds
- Partial kits for engine requiring non-stock length manifolds (order manifold separately)
- Carb only kits for replacement and custom applications



## KIT CONTENTS

- Super E or G carburetor assembly
- Manifold for stock height engine
- Manifold seals and clamps
- S&S chrome Classic Teardrop air cleaner kit
- All gaskets, hoses, and required hardware for installation
- Complete installation and tuning instructions

REPLACEMENT PARTS: SEE PAGE 496

## SUPER E AND G CARBURETOR KITS<sup>‡</sup>

Models	Super E Complete Kit <i>Manifold Included</i>		Super E Partial Kit <i>Manifold &amp; Mounting Hardware Not Included</i>				Super G Complete Kit <i>Manifold Included</i>	
	Standard Tanks	MSRP	Standard Tanks	MSRP	5 Gallon Tanks §	MSRP	Standard Tanks	MSRP
<b>Big Twin Models</b>								
1979–'84	11-0411	\$640.95	11-0412	\$566.95	11-0418	\$566.95	11-0431	\$661.95
1966–'78	11-0402	\$640.95	11-0412	\$566.95	11-0418	\$566.95	11-0422	\$661.95
1955–'65*	11-0401	\$640.95	11-0412	\$566.95	–	–	–	–
<b>Harley-Davidson® Ironhead Sportster® Models</b>								
1979–'85 ‡	11-0406	\$640.95	–	–	–	–	–	–
1957–'78 ‡	11-0404	\$640.95	–	–	–	–	–	–
<b>Carb Only</b>								
All Years	11-0420	\$384.95	–	–	–	–	11-0421	\$419.95

\*Outside oil lines that feed heads on knucklehead and 1963–'65 panhead engines must be refabricated or use a 1" spacer block for additional clearance.

‡ Does not fit engines equipped with vertical magneto.

§ Shovelhead engines equipped with .075" longer than stock cylinders in chassis with five gallon gas tanks require additional air cleaner cover to gas tank clearance. Kits in this column include an air cleaner cover clearanced to fit these engines.

NOTE: 1979–'80 engines may be equipped with either o-ring or band style heads. Check before ordering.

DISCLAIMER: NOT LEGAL FOR SALE OR USE IN CALIFORNIA ON ANY POLLUTION CONTROLLED MOTOR VEHICLE. Not legal for sale or use on any EPA pollution controlled motor vehicle..

‡ ⚠️ WARNING: Cancer and Reproductive Harm – www.P65Warnings.ca.gov

## NOTES

Stock motorcycles 1980 or earlier must be updated to a two cable pull open/pull closed throttle control system. A single cable pull open system cannot pull the throttle closed in case the throttle should accidentally stick in the open position. S&S offers high quality throttle cable kits in several lengths for this purpose. A press-on sleeve is also available to increase the diameter of the throttle grip area of 1972 and earlier handle bars to 1", allowing installation of modern throttle assemblies. See page 471 for throttle cables and press-on sleeves.

S&S "Shorty" carburetors will not fit Harley-Davidson® Ironhead Sportster® models with vertical magnetos due to clearance problems between the magneto and the carburetor.

Shovelhead engines with five gallon gas tanks and cylinders that are taller than stock require a special notched air cleaner cover to clear the gas tank. Since these taller engines also require a special length manifold, select a carb with a notched air cleaner cover without a manifold from the chart and refer to the manifolds starting on page 464 to select the correct length manifold.

S&S does not recommend polishing or chrome plating Super E & G carburetors. Our repair department has seen many carbs with passages plugged with polishing compounds and some carbs that had been destroyed because the polishing or chrome plating had altered critical machined surfaces.

Recommended for closed circuit use only—S&S Super E & G carbs shown are not approved for use on motor vehicles operated on California public highways, or in other states where similar pollution laws may apply. The user shall determine the suitability of the product for his or her use and shall assume all risk and liability in connection therewith.

# BLACK SUPER E & G CARBURETORS

## FEATURES AND BENEFITS

- Exclusive black coating – heat and chemical resistant
- Increased venturi diameter! – specially machined for 7% more flow– See flow chart

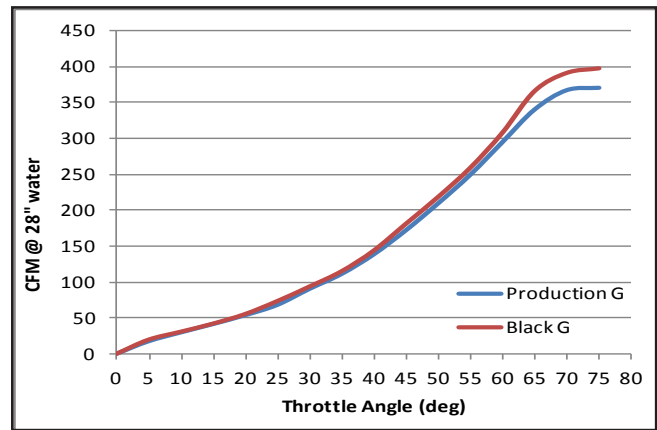
### BLACK CARBURETORS

	Description	Part #	MSRP
Increased venturi diameter (7% more flow)	Super E Carb	<b>110-0099</b>	\$424.95
	Super G Carb	<b>110-0100</b>	\$451.95
Standard venturi diameter	Super E Carb	<b>110-0133</b>	\$440.95
	Super G Carb	<b>110-0138</b>	\$440.95

DISCLAIMER: NOT LEGAL FOR SALE OR USE IN CALIFORNIA ON ANY POLLUTION CONTROLLED MOTOR VEHICLE. Not legal for sale or use on any EPA pollution controlled motor vehicle.



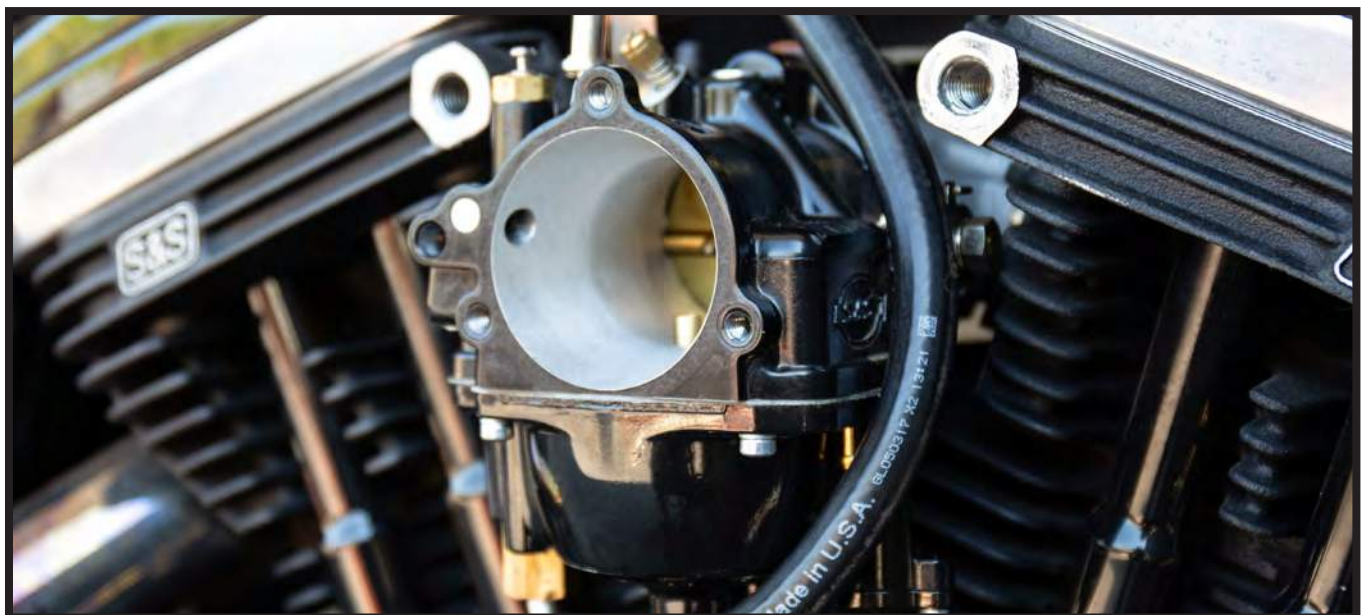
110-0099



Flow at WOT (wide open throttle) for the Black G carb increases 7% vs. the base S&S G carb

## NOTE

These black carb kits do not include air cleaners. Air cleaner options are available starting on page 414.



# JETS & CARB REBUILD KITS FOR S&S SUPER E & G CARBURETORS

For those who need to rejet their carburetor because of engine modifications, exhaust modifications, or changes in altitude, we have extra jet kits available which are designed to cover most jetting situations.

## DEALER JET KITS<sup>±</sup>

Description	Part #	MSRP
S&S Carb Parts Kit (Contains needed parts to maintain S&S Super E and G carburetors)	<b>11-3103</b>	\$373.95
S&S Jet Kit (Includes 3 each of all intermediate jets and 5 each of all main jets, plus a main jet tool)	<b>11-3102</b>	\$348.95

<sup>±</sup> ⚠️ WARNING: Cancer and Reproductive Harm – www.P65Warnings.ca.gov

## JET PACKS<sup>±</sup>

Description	Part #	MSRP
Low Range Jet Pack – For jetting most stock and moderate performance engines.		
Includes one each intermediate jets (.025", .0265", .028", .0295") and one each main jets (.062", .064", .066", .068", .070", .072", .074")	<b>11-7270</b>	\$52.95
High Range Jet Pack – For jetting some stock and all performance engines.		
Includes one each intermediate jets (.0295", .031", .032", .033") and one each main jets (.072", .074", .076", .078", .080", .082", .084")	<b>11-7271</b>	\$52.95
Master Jet Pack – For jetting all Super B, E, and G equipped engines.		
Includes one each intermediate jets (.025", .0265", .028", .0295", .031", .032", .033") and one each main jets (.062", .064", .066", .068", .070", .072", .074", .076", .078", .080", .082", .084")	<b>11-7272</b>	\$89.95

<sup>±</sup> ⚠️ WARNING: Cancer and Reproductive Harm – www.P65Warnings.ca.gov

## INTERMEDIATE JETS—SERIES #94 INDIVIDUAL SELECTION<sup>±</sup>

Size	QTY	Part #	MSRP	Size	QTY	Part #	MSRP
.025	each	<b>11-0250</b>	\$10.95	.032	each	<b>11-0320</b>	\$10.95
	3 pack	<b>11-7107</b>	\$27.95		3 pack	<b>11-7112</b>	\$27.95
.0265	each	<b>11-0265</b>	\$10.95	.033	each	<b>11-0330</b>	\$10.95
	3 pack	<b>11-7108</b>	\$27.95		3 pack	<b>11-7113</b>	\$27.95
.028	each	<b>11-0280</b>	\$10.95	.036	each	<b>11-0360</b>	\$10.95
	3 pack	<b>11-7109</b>	\$27.95		3 pack	<b>11-7114</b>	\$27.95
.0295	each	<b>11-0295</b>	\$10.95	.040	each	<b>11-0400</b>	\$10.95
	3 pack	<b>11-7110</b>	\$27.95		3 pack	<b>11-7115</b>	\$27.95
.031	each	<b>11-0310</b>	\$10.95	Blank	each	<b>11-0000</b>	\$9.95
	3 pack	<b>11-7111</b>	\$27.95				

<sup>±</sup> ⚠️ WARNING: Cancer and Reproductive Harm – www.P65Warnings.ca.gov

Early Series #94 gas jets were stamped with single digit numbers. Conversions for these numbers are:

- |        |       |        |       |
|--------|-------|--------|-------|
| 1..... | .025" | 4..... | .033" |
| 2..... | .028" | 5..... | .036" |
| 3..... | .031" | 6..... | .040" |



11-3103<sup>±</sup>



11-3102<sup>±</sup>



11-7272<sup>±</sup>



106-3517<sup>±</sup>

## NOTES

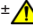
No returns or exchanges on jets.

Refer to Section 10: Racing for the S&S fuel and turbo carburetors.

Milwaukee  
Eight  
2007-2017  
Twin Cam  
96"/103"/110"  
1999-2006  
Twin Cam 88"  
1986-2019  
Sportster® & Buell®  
2014-2019  
Street® & Street Rod™  
1984-1999  
Evolution®  
1926-1984  
Vintage Engines  
Indian® & Victory® Models  
Tools & Shop Supplies  
Apparel  
Warranty & Company Policy  
& Index

## MAIN JETS—SERIES #72 INDIVIDUAL SIZE SELECTION±

Size	QTY	Part #	MSRP	Size	QTY	Part #	MSRP
.040	each	<b>11-4040</b>	\$9.95	.080	each	<b>11-4080</b>	\$9.95
	5 pack	<b>11-7220</b>	\$38.95		5 pack	<b>11-7240</b>	\$38.95
.042	each	<b>11-4042</b>	\$9.95	.082	each	<b>11-4082</b>	\$9.95
	5 pack	<b>11-7221</b>	\$38.95		5 pack	<b>11-7241</b>	\$38.95
.044	each	<b>11-4044</b>	\$9.95	.084	each	<b>11-4084</b>	\$9.95
	5 pack	<b>11-7222</b>	\$38.95		5 pack	<b>11-7242</b>	\$38.95
.046	each	<b>11-4046</b>	\$9.95	.086	each	<b>11-4086</b>	\$9.95
	5 pack	<b>11-7223</b>	\$38.95		5 pack	<b>11-7243</b>	\$38.95
.048	each	<b>11-4048</b>	\$9.95	.088	each	<b>11-4088</b>	\$9.95
	5 pack	<b>11-7224</b>	\$38.95		5 pack	<b>11-7244</b>	\$38.95
.050	each	<b>11-4050</b>	\$9.95	.090	each	<b>11-4090</b>	\$9.95
	5 pack	<b>11-7225</b>	\$38.95		5 pack	<b>11-7245</b>	\$38.95
.052	each	<b>11-4052</b>	\$9.95	.092	each	<b>11-4092</b>	\$9.95
	5 pack	<b>11-7226</b>	\$38.95		5 pack	<b>11-7246</b>	\$38.95
.054	each	<b>11-4054</b>	\$9.95	.094	each	<b>11-4094</b>	\$9.95
	5 pack	<b>11-7227</b>	\$38.95		5 pack	<b>11-7247</b>	\$38.95
.056	each	<b>11-4056</b>	\$9.95	.096	each	<b>11-4096</b>	\$9.95
	5 pack	<b>11-7228</b>	\$38.95		5 pack	<b>11-7248</b>	\$38.95
.058	each	<b>11-4058</b>	\$9.95	.098	each	<b>11-4098</b>	\$9.95
	5 pack	<b>11-7229</b>	\$38.95		5 pack	<b>11-7249</b>	\$38.95
.060	each	<b>11-4060</b>	\$9.95	.100	each	<b>11-4100</b>	\$9.95
	5 pack	<b>11-7230</b>	\$38.95		5 pack	<b>11-7250</b>	\$38.95
.062	each	<b>11-4062</b>	\$9.95	.102	each	<b>11-4102</b>	\$9.95
	5 pack	<b>11-7231</b>	\$38.95		5 pack	<b>11-7251</b>	\$38.95
.064	each	<b>11-4064</b>	\$9.95	.104	each	<b>11-4104</b>	\$9.95
	5 pack	<b>11-7232</b>	\$38.95		5 pack	<b>11-7252</b>	\$38.95
.066	each	<b>11-4066</b>	\$9.95	.106	each	<b>11-4106</b>	\$9.95
	5 pack	<b>11-7233</b>	\$38.95				
.068	each	<b>11-4068</b>	\$9.95	.110	each	<b>11-4110</b>	\$9.95
	5 pack	<b>11-7234</b>	\$38.95		5 pack	<b>11-7255</b>	\$38.95
.070	each	<b>11-4070</b>	\$9.95	.115	each	<b>11-4115</b>	\$9.95
	5 pack	<b>11-7235</b>	\$38.95		5 pack	<b>11-7256</b>	\$38.95
.072	each	<b>11-4072</b>	\$9.95	.120	each	<b>11-4120</b>	\$9.95
	5 pack	<b>11-7236</b>	\$38.95		5 pack	<b>11-7257</b>	\$38.95
.074	each	<b>11-4074</b>	\$9.95				
	5 pack	<b>11-7237</b>	\$38.95				
.076	each	<b>11-4076</b>	\$9.95				
	5 pack	<b>11-7238</b>	\$38.95				
.078	each	<b>11-4078</b>	\$9.95				
	5 pack	<b>11-7239</b>	\$38.95				

±  WARNING: Cancer and Reproductive Harm – www.P65Warnings.ca.gov

## MAIN JET AIR BLEED KIT (ONE JET EACH SIZE)±

Sizes	Part #	MSRP
.042" - .060"	<b>106-3517</b>	\$70.95
.084" - .120"	<b>106-3518</b>	\$56.95

±  WARNING: Cancer and Reproductive Harm – www.P65Warnings.ca.gov

## S&S® CARBURETOR REBUILD KITS

To insure that you continue to get the utmost in performance from your S&S carburetor, we have put together a series of rebuild kits that are designed to provide the proper parts to return a worn carburetor to top shape. We have assembled different types of kits to cover the different degrees of rebuild necessary.

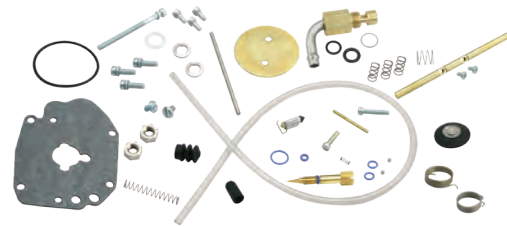
### MASTER REBUILD KITS

Master rebuild kits contain a body rebuild kit, accelerator pump rebuild kit (Super E and G only), all new fasteners, springs, idle mixture screw, seat, and needle assembly. Everything needed to completely rebuild one carburetor.

#### MASTER REBUILD KIT±

Description	Part #	MSRP
Super E	<b>11-2923</b>	\$89.95
Super G	<b>11-2924</b>	\$89.95

±  WARNING: Cancer and Reproductive Harm – www.P65Warnings.ca.gov



**11-2923**

### BODY REBUILD KITS

Body rebuild kits for Super E and G carbs also contain throttle shaft nuts, nylon washers, accelerator pump o-ring, and accelerator pump boot. Body rebuild kits for Super E and G carbs do not contain throttle shaft bushings since these carbs have stainless steel throttle shaft bushings already installed.

#### BODY REBUILD KIT±

Description	Part #	MSRP
Super E	<b>11-2906</b>	\$45.95
Super G	<b>11-2907</b>	\$45.95



**11-2907**

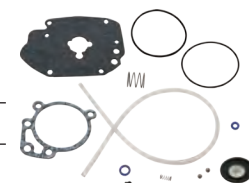
±  WARNING: Cancer and Reproductive Harm – www.P65Warnings.ca.gov

### BASIC REBUILD KIT

A gasket and seal kit for low mileage Super E & G carbs. Perfect to reassemble carbs taken apart for inspection and cleaning.

#### BASIC REBUILD KIT±

Description	Part #	MSRP
Super E & G	<b>110-0067</b>	\$38.95



±  WARNING: Cancer and Reproductive Harm – www.P65Warnings.ca.gov

### ACCELERATOR PUMP REBUILD KITS

Accelerator pump rebuild kits contain diaphragm, diaphragm spring, check balls, check ball spring, pump pushrod, and required hardware and o-rings.

#### ACCELERATOR PUMP REBUILD KIT

Description	Part #	MSRP
Super E & G	<b>11-2918</b>	\$21.95



# THROTTLE CABLE ASSEMBLIES

## EARLY STOCK STYLE TWO-CABLE THROTTLE ASSEMBLIES

- Designed to update 1981 and earlier chassis with 1" diameter handlebars for S&S Super E and G carbs or any other butterfly type carburetors with 1981-up stock style throttle linkage
- Cables are not interchangeable since they are specifically designed for the opening or closing side of throttle
- Kit contains throttle grips and both. Select kit with cable length desired. Cable measurement is from throttle grip to end of cable housing, barrel fittings are molded in place.



19-0448

## EARLY STOCK STYLE TWO-CABLE THROTTLE

Description	Part #	MSRP
Throttle Assembly with 36" Cables	<b>19-0450</b>	\$209.95
Throttle Assembly with 39" Cables	<b>19-0448</b>	\$209.95
Throttle Assembly with 42" Cables	<b>19-0482</b>	\$209.95
Throttle Assembly with 48" Cables	<b>19-0449</b>	\$209.95

## S&S® THROTTLE CABLE APPLICATION CHART

Application	Length Total Housing	Length Vinyl Housing	Open Side	MSRP	Close Side	MSRP
FX & FL models 1985 and earlier* big twins 1995 and earlier*	36"	32"	<b>19-0432</b>	\$62.95	<b>19-0433</b>	\$62.95
To 1995 Harley-Davidson® Softail® (FXSTC, FXST, FLSTC, FLSTF) 1986-'94 FXR, 1993-'95 Dyna®	39"	35"	<b>19-0434</b>	\$62.95	<b>19-0435</b>	\$62.95
To 1995 All FLT models	48"	44"	<b>19-0462</b>	\$62.95	<b>19-0463</b>	\$62.95
To 1995 custom application	42"	38"	<b>19-0446</b>	\$62.95	<b>19-0447</b>	\$62.95

\*1980 and earlier must be converted to dual cable throttle assembly

## UNIVERSAL THROTTLE ASSEMBLY

- Used with early style S&S carburetors including Early Style, L Series, Super B, Super D, and Two-Throat
- Can also be used with any other carburetor which uses a screw clamp style throttle arm
- Threads on both cables are the same size so cables are interchangeable. One end of each cable has a molded ball end, and the other end is plain. Cable can be cut to length required. Fits 1" diameter handlebars.



19-0229

## UNIVERSAL THROTTLE ASSEMBLY

Description	Part #	MSRP
Universal 48" Throttle Assembly	<b>19-0229</b>	\$209.95
Universal Replacement Throttle Cable	<b>19-0224</b>	\$62.95

## REPLACEMENT PARTS

Description	Part #	MSRP
S&S Universal Throttle Cable	<b>106-3520</b>	\$33.95
Throttle Grip Clamp Set 1985-'95	<b>106-3519</b>	\$38.95
Top Throttle Grip Clamp only	<b>19-0222</b>	\$16.95
Bottom Throttle Grip Clamp only	<b>19-0220</b>	\$16.95
Throttle Grip Clamp Screw (Fits S&S throttle assemblies: Part #19-0448, #19-0449, #19-0482, #19-0450, and #19-0229)	<b>50-0043</b>	\$3.95
Throttle Grip Set	<b>106-3521</b>	\$60.95
Right Hand Grip only	<b>19-0225</b>	\$37.95
Left Hand Grip only	<b>19-0226</b>	\$25.95
Cable Adjuster Fits S&S throttle assembly part #19-0229.	<b>19-0223</b>	\$4.95
Cable Adjuster Jam Nut Fits S&S throttle assembly part #19-0229	<b>19-0227</b>	\$0.95
Handlebar Spacing Sleeve 4" x 1" O.D. – converts 7/8" handlebars to 1" O.D.	<b>19-0235</b>	\$18.95

# HI-4N PERFORMANCE IGNITION

## FITMENT

- 1970-1984 big twins
- 1971-1985 Ironhead Sportster® Models

## FEATURES AND BENEFITS

- One piece machined aluminum housing reduces vibration and improves heat dissipation and reliability
- Improved kick start algorithm designed to start as easily as points
- BCD switches with solid detent and legible marking allow easy and repeatable adjustments of mode, advance rate, and rev limit
- Single-fire and dual-fire function built into a single module
- Flexible wiring harness makes installation easier
- Initial timing marks allow precise adjustment and reinstallation
- Sensor covers integrated into housing to provide protection during installation



### HI-4N PERFORMANCE IGNITION

Fitment	Part #	MSRP
Ignition only	<b>550-0501</b>	\$333.95
Kit Includes S&S® HI-4N Ignition, Single-Fire Coil, and 8.5mm double silicone, premium quality spark plug wires	<b>550-0502</b>	\$460.95

# SUPER STOCK™ IGNITIONS

## FITMENT

- S&S® SH-Series
- S&S KN-Series
- S&S P-Series

## FEATURES & BENEFITS

- Modules can be set to kick-start or electric-start mode by an S&S dealer using the Super Stock diagnostic cable and software
- Electric-start mode allows the pre-ignition cranking to be set anywhere from 1 to 4 engine revolutions (*only available with current modules – earlier modules cannot be updated*)
- Pre-programmed ignitions are custom tailored for a specific S&S engine – no need for adjustments
- Single fire operation – requires a single fire coil for single spark plug applications
- Dual plugged applications require a pair of two tower coils or a single four tower coil
- Minimum 3.0Ω primary resistance
- Overload and short circuit protected
- VOES switches to less aggressive curve under load or hard acceleration
- 6300 rpm rev-limiter
- 24-hour break-in rev-limiter – prevents damage during break-in
- Data logging diagnostic capabilities



### SUPER STOCK® IGNITION MODULE AND KITS

Engine	Kit Part #	MSRP	Module Part #	MSRP
SH80	<b>55-1350</b>	\$314.95	<b>55-1340</b>	\$220.95
SH93/P93	<b>55-1351</b>	\$314.95	<b>55-1341</b>	\$220.95
SH93H/P93H/P74	<b>55-1352</b>	\$314.95	<b>55-1342</b>	\$220.95
SH103	–	–	<b>55-1343</b>	\$220.95
KN93/KN74	<b>106-3201</b>	\$314.95	<b>106-3200</b>	\$220.95

### SUPER STOCK® IGNITION KIT REPLACEMENT PARTS

Description	Part #	MSRP
Pick-up Cup and Mounting Screw	<b>55-1247±</b>	\$15.95
Connector Kit	<b>55-1249</b>	\$9.95
VOES Switch with Hardware	<b>55-1248</b>	\$83.95
VOES Hose, 9'	each <b>19-0395</b>	\$3.95
	5 pack <b>19-0398</b>	\$15.95
VOES Manifold Fitting	<b>16-0136-S</b>	\$3.95
VOES Hose Tee	<b>50-8124-S</b>	\$3.95

#### Optional Parts

S&S Single Fire Coil (3.0Ω)	<b>55-1571</b>	\$161.95
-----------------------------	----------------	----------

± WARNING: Cancer and Reproductive Harm – www.P65Warnings.ca.gov

## NOTES

S&S Super Stock ignition systems are available in complete ignition kits and as replacement modules. S&S single fire ignition coils are available separately.

Keep in mind that the curves are preset for a specific S&S engine, and that modules intended for one engine may not yield optimum results when used on another configuration.

Generator style engines require reverse timer gears and a special timer, designed to accept an electronic ignition. S&S offers two beautiful billet timers for this application.



# 5-SPEED TRANSMISSION CASE FOR 1965–'85 4-SPEED BIG TWINS

## FITMENT

- 1965-'85 big twin 4-speed chassis

## FEATURES AND BENEFITS

- Update 4-speed bikes to 5-speed transmission
- CNC machined from 356-T6 aluminum castings
- Accepts most OEM and aftermarket parts designed for 1985-'99 big twin 5-speed transmissions
- These items available for purchase separately—see next page
- CNC-machined billet trap door with bearings and required hardware
- Special battery box/starter brackets
- Shift linkage required for 4-speed FX and FL models
- Footpeg adapter kit required for FX

## KIT CONTENTS

- Transmission case assembly
- Required hardware
- Instructions



56-1051

## 4 TO 5-SPEED TRANSMISSION CASE KIT

Description	Part #	MSRP
Basic Case Assembly Kit	56-1051	\$734.95

REPLACEMENT PARTS: SEE PAGE 506

## NOTES

The S&S 4 to 5-speed transmission case is not compatible with the factory Harley-Davidson® primary belt drive used on 1980-'83 FXSB Sturgis models.

For applications that utilize an existing 4-speed driveline, a 1980 to early '84, 5-speed style chain-drive mainshaft and 1980 to early '84 style main drive gear must be used. These parts are compatible with the tapered I.D. clutch hub used on 4-speed big twins.

4 and 5-speed transmissions utilize the same 1:1 final drive ratio. As a result, the 5-speed gear set will not alter engine RPM at highway speeds. The additional gear narrows the gap between lower gears for improved acceleration and better performance in traffic.

This transmission case will fit earlier big twin frames. However, the engine sprocket shaft must be of the type used in 1970-later big twin style engines. The transmission case itself is compatible with HD® secondary (rear) belt drive if the correct mainshaft, main drive gear, inner primary cover, starter shaft, starter housing, and related parts are used. However, the builder may encounter other obstacles when converting a motorcycle with chain final drive to belt final drive.

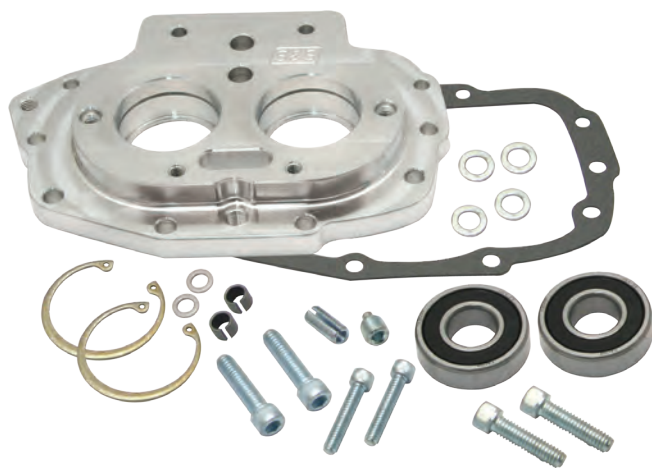
The purchaser's countershaft and shift fork shaft will require shortening.

A low contact-style countershaft gear must be used in this transmission case to match the 1980-'84 main drive gear required. Harley-Davidson® replaced low-contact gears with high-contact gears on 1994 international big twin models and 1995 U.S. models. Low and high contact gears may not be mixed.

S&S trap doors are of the 1987-'99 style. S&S recommends using this style trap door and end cover with the "ball and ramp" clutch actuator. The strength of the earlier, lever-type actuator is marginal for heavy clutch springs sometimes required in high-performance applications.

Most 4-speed big twin style engines utilize transmission-driven mechanical speedometers. This transmission case has no provision for speedometer drive, and must be used with a wheel-driven speedometer and speedometer drive. The existing wheel may require modification to accept the speedometer drive unit.

The clutch-actuator end of the 4-speed clutch cable is not compatible with the five-speed type clutch actuator. Options are to replace the existing clutch lever with an 1987-'99 style lever or purchase a custom cable with the correct ends from Barnett Tool and Engineering in Ventura, California. (Phone: 805-642-9435)



## BILLET TRAP DOOR ASSEMBLY

Description	Part #	MSRP
Billet Trap Door Assembly	56-1027	\$304.95

REPLACEMENT PARTS: SEE PAGE 506

Milwaukee  
Eight  
2007-2017  
Twin Cam  
96"/103"/110"  
1999-2006  
Twin Cam 88"  
1986-2019  
Sportster® & Buell®  
2014-2019  
Street® &  
Street Rod®  
1984-1999  
Evolution®  
1926-1984  
Vintage Engines  
Indian® &  
Victory® Models  
Tools  
& Shop Supplies  
Apparel  
Warranty &  
Company Policy  
& Index

# RETRO KICK STARTER COVER KIT

## FITMENT

- 1940–'86 big twin  
(year group authenticity is listed in the product descriptions below)

## FEATURES AND BENEFITS

- Authentic detailing in cover casting
- Updates and improvements eliminate cracking problems of original covers
- Utilizes your stock hardware and filler plug, gasket included
- Heavy duty kicker boss with single bushing

## TRANSMISSION COVER KITS

Description	Part #	MSRP
<b>1948–'50 Big Twins</b> J7 Date Code 33277-36, 33277-36A	<b>106-6479-J7</b>	\$180.95
<b>1940–'47 Big Twins</b> The G6 cover duplicates the external shape for 1940–'47. The G6 cover has a stamped in part number just as the original. The G6 date code stands for June of 1946. G6 Date Code 33277-36, 33277-36A	<b>106-6479-G6</b>	\$180.95
<b>1940–'86 Big Twins</b> The 00 cover has no part number or date code. It was created with the custom application in mind where authenticity isn't a must, or polishing or other finishes are desired. 33277-36, 33277-36A	<b>106-6479-00</b>	\$180.95

## REPLACEMENT PARTS

Description		Part #	MSRP
Bushing	Lower, Clutch Arm 33290-38	<b>106-6473</b>	\$13.95
	Upper, Clutch Arm 33291-36	<b>106-6474</b>	\$28.95
Kicker Shaft		<b>106-6475</b>	\$14.95
Gasket 33295-36		<b>560-0012</b>	\$4.95
Oil Seal/ Seal, 1" OD x .75" Shaft x .125"		<b>106-6476</b>	\$19.95



106-6479-J7



106-6479-G6



106-6479-00

# GASKETS

## REBUILD GASKET KITS FOR S&S® ENGINES & HOT SET UP KIT®

Description	Bore	Part #	MSRP
SH-Series 1966-'84	3½"	<b>106-0407</b>	\$199.95
P-Series/SH-Series 1948-'84	3⅝"	<b>106-0408</b>	\$220.95
KN-Series 1936-'47	3⅝"	<b>106-2414</b>	\$272.95

## TOP END GASKET KITS

Description	Bore	Part #	MSRP
P Series/SH-Series 1966-'84	3⅝"	<b>90-9501</b>	\$167.95
P Series/SH-Series 1966-'84	3½"	<b>90-9500</b>	\$167.95

## CYLINDER HEAD GASKET KITS

Description	Bore	Part #	MSRP
P Series/SH-Series 1966-'84	3⅝"	<b>90-1918</b>	\$83.95
P Series/SH-Series 1966-'84	3½"	<b>90-1917</b>	\$83.95

## HEAD GASKETS FOR S&S® P-SERIES AND SH-SERIES 1948-'84 (SHOVELHEAD BOLT PATTERN)

Description	Thickness	Bore	Part #	MSRP	
Copper	.032"	3⅝"	each	<b>93-1042</b>	\$31.95
			10 pack	<b>93-1062</b>	\$262.95
Copper 16770-66B	.032"	3⅞" & 3½"	each	<b>93-1041</b>	\$26.95
			10 pack	<b>93-1061</b>	\$262.95

## HEAD GASKETS FOR S&S® SW FOR PAN/KNUCKLE (PANHEAD HEAD BOLT PATTERN)

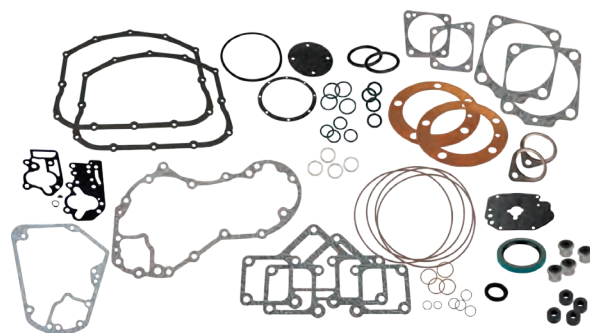
Description	Thickness	Bore	Part #	MSRP
Composite	.032"	3⅝"	each <b>93-1019</b>	\$20.95

## HEAD GASKETS FOR KN-SERIES 1936-'47

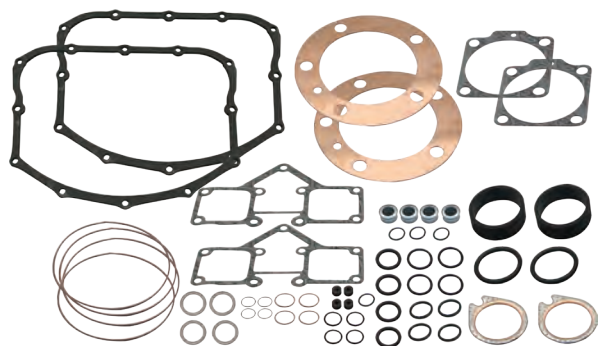
Description	Thickness	Bore	Part #	MSRP	
Copper	.032"	3⅝"	each	<b>106-2681</b>	\$31.95
			2 pack	<b>106-2432</b>	\$62.95
Copper	.032"	3⅞"	2 pack <b>106-2689</b>	\$62.95	

## HEAD GASKETS FOR FH-SERIES AND UL 1938-'48

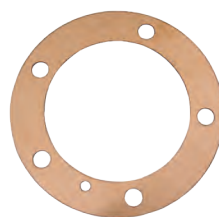
Description	Thickness	Bore	Part #	MSRP
Copper 16769-36	.020"	3⅞"	2 pack <b>106-2669</b>	\$78.95



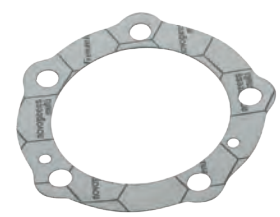
106-0408



90-9501



93-1042



93-1019



106-2681



106-2669

## NOTES

While many of the gaskets in these kits will work for stock applications, some gaskets in the kits are specifically designed for S&S parts used in S&S engines.

Alternator style lower end kits include outer gaskets for both S&S flanged and flangeless gear covers. Not all gaskets will be used.

Oil pump gaskets provided in lower end gasket kits fit the standard pumps provided with S&S engines. If the crankcase of an engine was special ordered to accept a different type of oil pump, these gaskets may not fit.

All reference to HD® part numbers is for identification purposes only. We in no way are implying that any of S&S Cycle's products are original equipment parts or that they are equivalent to the corresponding HD® part number shown.

# 1926–1984 Vintage Models

## BASE GASKETS FOR SH-SERIES 1966–'84

Description	Thickness	Bore	Part #	MSRP
Micropore	.018"	3 $\frac{3}{8}$ "	each <b>93-1022-S</b>	\$8.95
			10 pack <b>93-1069</b>	\$52.95
Micropore 16776-63	.018"	3 $\frac{1}{2}$ "	each <b>93-1023-S</b>	\$8.95
			10 pack <b>93-1070</b>	\$52.95

## BASE GASKETS FOR P-SERIES 1948–'65

Description	Thickness	Bore	Part #	MSRP
Micropore	.018"	3 $\frac{3}{8}$ "	each <b>93-1022-S</b>	\$8.95
			10 pack <b>93-1069</b>	\$52.95

## BASE GASKET FOR S&S PAN/KNUCKLE SW 1936–'65

Description	Thickness	Bore	Part #	MSRP
Composite 16776-63	.018"	3 $\frac{3}{8}$ "	each <b>93-1023-S</b>	\$8.95
			10 pack <b>93-1070</b>	\$52.95
Composite	.018"	3 $\frac{3}{8}$ "	each <b>93-1022-S</b>	\$8.95
			10 pack <b>93-1069</b>	\$52.95

## BASE GASKETS FOR KN-SERIES 1936–'47

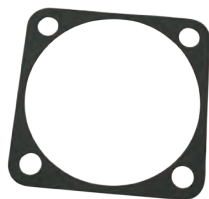
Description	Thickness	Bore	Part #	MSRP
Composite	.020"	3 $\frac{3}{8}$ "	each <b>106-2690</b>	\$11.95
Composite 16774-21	.020"	3 $\frac{5}{16}$ " & 3 $\frac{7}{16}$ "	each <b>106-2692</b>	\$9.95

## EXHAUST GASKETS

S&S SH-Series, P-Series, and 1966-'84 bt	each	<b>93-1004-S</b>	\$5.95
--	------	------------------	--------



93-1022-S



106-2690



900-0329



90-4040

## VALVE GUIDE SEALS

Fits S&S Heads for 1966-'84 bt and 1981-'84 stock cylinder heads	4 pack	<b>900-1005</b>	\$11.95
--	--------	-----------------	---------

## ROCKER BOX GASKET KITS AND INDIVIDUAL GASKETS

Gasket Kit S&S Billet Rocker boxes 1966-84 bt		<b>90-4311</b>	\$41.95
O-ring, (-160), 5.250" ID x 5.437" OD, Viton®	each	<b>50-7961-S</b>	\$5.95
O-ring, (-019), .812" ID x .937" OD, Viton®	each	<b>50-7962-S</b>	\$2.95
O-ring, .551" ID x .627" OD, Viton®	each	<b>50-7963-S</b>	\$2.95
O-ring, .374" ID x .473" OD, Viton®	each	<b>50-7965-S</b>	\$2.95
Gasket, Rocker Cover, 1966-'84 bt 17540-69, 17540-69A	each	<b>90-4040</b>	\$8.95
	10 pack	<b>90-4064</b>	\$72.95
Stock Rocker Boxes 1966-'84 bt 17540-69, 17540-69A	each	<b>90-4040</b>	\$8.95
	10 pack	<b>90-4064</b>	\$72.95
Rocker Arm Cover Gasket 1948-'65 bt 117541-48	each	<b>900-0329</b>	\$17.95
	Set	<b>900-0339</b>	\$31.95
Rocker Arm Cover Gasket Kit 1936-'47 bt		<b>900-0493</b>	\$178.95
Gasket, Bottom, Valve Spring Covers, (Tins), Vulcanized Fiber, 1936-'47 OHV bt		<b>106-2878</b>	\$8.95
Gasket, Set, Valve Spring Covers, KN-Series, (Tins)		<b>106-3166</b>	\$136.95
Seal, Oil, Rocker Arm, 1936-'47 OHV bt, KN-Series 17475-38		<b>106-3636</b>	\$9.95
O-ring, Square, .1875" 17955-36		<b>106-3849</b>	\$2.95
O-ring, (-017), .676" ID x .816" OD, Black, Viton®		<b>50-0466</b>	\$2.95
O-ring, (-015), .562" ID x .068" OD, Black, Viton® 26432-76A	each	<b>50-8034-S</b>	\$5.95
	2 pack	<b>50-8034</b>	\$10.95
O-ring, (-326), 1.625" ID x 2" OD, Black, Viton® 27060-55	each	<b>50-8046</b>	\$5.95
	10 pack	<b>50-8132</b>	\$41.95

## LOWER END GASKETS AND SEALS

1970-'99 Big Twin Engine 25225-93A, 25225-93B, 25225-70C, 25257-80	each	<b>31-2107</b>	\$4.95
	10 pack	<b>106-0232</b>	\$35.95
1936-'69 Big Twin Engine w/S&S Cases 25225-36A		<b>31-2030</b>	\$10.95
1936-'69 Big Twin Engine w/Stock Cases 25225-36C		<b>106-2072</b>	\$13.95

## CAMSHAFT OIL SEALS FOR 1970–'99 BIG TWIN MODELS

Seal, Gearcover Cam, 1" x 1.441" x .250" 83162-51	each	<b>31-4022</b>	\$4.95
			\$5.95



106-3166



31-2107

All reference to HD® part numbers is for identification purposes only. We in no way are implying that any of S&S Cycle's products are original equipment parts or that they are equivalent to the corresponding HD® part number shown.

**TAPPET GUIDE GASKETS**

1948-'99 bt engines – Set (Includes Front & Rear) 18633-48	each	<b>33-5302</b>	
	10 pack	<b>33-5313</b>	\$49.95
Front 18634-48C	each	<b>33-5302F</b>	\$4.95
	10 pack	<b>33-5313F</b>	\$20.95
Rear 18633-48B, 18633-48D	each	<b>33-5302R</b>	\$4.95
	10 pack	<b>33-5313R</b>	\$24.95
1936-'47 OHV bt engines – Set (Includes Front & Rear) 18632-36		<b>106-2563</b>	\$5.95

**PUSHROD O-RINGS**

Pushrod O-Ring Kit 1979-'84 Big Twin		<b>93-4041</b>	\$10.95
Top O-Ring 11293, 11157, 11101, 11190	each	<b>50-8039</b>	\$2.95
Middle O-Ring 11132A	each	<b>50-8038</b>	\$2.95
Bottom O-Ring 11145A	each	<b>50-8037</b>	\$2.95
Quad Seal 11133A		<b>50-8064-S</b>	\$3.95
Washer, Bottom Pushrod Tube	each	<b>50-7050</b>	\$2.95
	10 pack	<b>50-7072</b>	\$7.95

**SPROCKET SHAFT SEAL**

1936-'99 Big Twin 12026B	each	<b>31-4010</b>	\$8.95
	5 pack	<b>31-4110</b>	\$41.95

**OIL PUMP GASKET KITS STANDARD S&S BILLET OIL PUMP 1936-'91**

Gasket Rebuild Kit		<b>31-6271</b>	\$12.95
Master Rebuild Kit		<b>31-6275</b>	\$24.95
Oil Pump Drive Shaft Seal 26227-58		<b>31-6005</b>	\$4.95

**FUEL SYSTEM GASKETS**

Manifold Seals			
Rubberband – 1979-'84 BT and 1979-'85 XL 27062-78	each	<b>16-0238</b>	\$4.95
	10 pack	<b>16-0245</b>	\$35.95
O-ring – 1955-'78 BT and 1957-'78 XL 27060-55	each	<b>50-8046</b>	\$4.17
	10 pack	<b>50-8132</b>	\$41.95
Cap, rubber, manifold, fitting		<b>50-8372</b>	\$2.95

**CLASSIC TEARDROP AIR CLEANER GASKETS**

Backplate gasket Super E	each	<b>106-1724</b>	\$3.95
	10 pack	<b>106-2328</b>	\$26.95
Backplate gasket Super B	each	<b>17-0196</b>	\$2.95
	5 pack	<b>17-0197</b>	\$10.95

**STEALTH AIR CLEANER GASKETS**

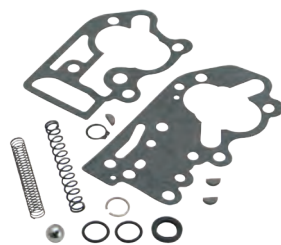
Super E/G	each	<b>106-1724</b>	\$3.95
	10 pack	<b>106-2328</b>	\$26.95
Muscle Air Cleaner (includes lanyards)		<b>170-0137</b>	\$24.95

**CARBURETOR GASKETS**

Bowl Gasket	Super E & G	each	<b>11-2386</b>	\$3.95
		10 pack	<b>11-2387</b>	\$27.95
	Super B & D	each	<b>11-2086</b>	\$3.95
		10 pack	<b>11-2091</b>	\$21.95
	L Series	each	<b>11-2070</b>	\$3.95
	Pump cap o-ring - (two required)	each	<b>50-8012</b>	\$2.95
10 pack		<b>50-8100</b>	\$11.95	
Idle Mixture Needle o-ring	each	<b>500-0036</b>	\$2.95	
	10 pack	<b>500-0148</b>	\$7.95	
Bellows seal Bellows Seal, Accelerator Pump	each	<b>11-2266</b>	\$4.95	
	5 pack	<b>11-2279</b>	\$18.95	
Accelerator pump diaphragm	each	<b>11-2282</b>	\$15.95	
Manifold to Carb/ Throttle Body O-Rings	Super E	each	<b>50-8016</b>	\$2.95
		10 pack	<b>50-8094</b>	\$10.95
	Super G	each	<b>50-8015</b>	\$2.95
		10 pack	<b>50-8093</b>	\$10.95
	Super B	each	<b>50-8013</b>	\$2.95
	L Series 1¼" or 1⅞"	each	<b>50-8013</b>	\$2.95
Seat and Bowl Plug O-Ring	each	<b>50-8009</b>	\$2.95	
	10 pack	<b>50-8095</b>	\$13.95	

**TRANSMISSION GASKETS**

Seal, quad, 1 <sup>49</sup> / <sub>64</sub> " I.D. x 1 <sup>7</sup> / <sub>8</sub> " O.D. x 1 <sup>1</sup> / <sub>16</sub> " Buna 11165	<b>50-8045</b>	\$6.95
Seal, inner primary - 4-speed BT	<b>56-5101</b>	\$12.95
Seal, oil shifter shaft - 1984-'99 BT 12045	<b>56-1064</b>	\$5.95
Seal, oil 12067B	<b>56-3033</b>	\$11.95
Gasket, transmission access door 35652-79B, 35653-98A	<b>56-1026</b>	\$3.95



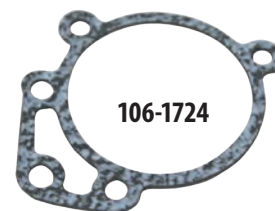
31-6275



33-5302



93-4041



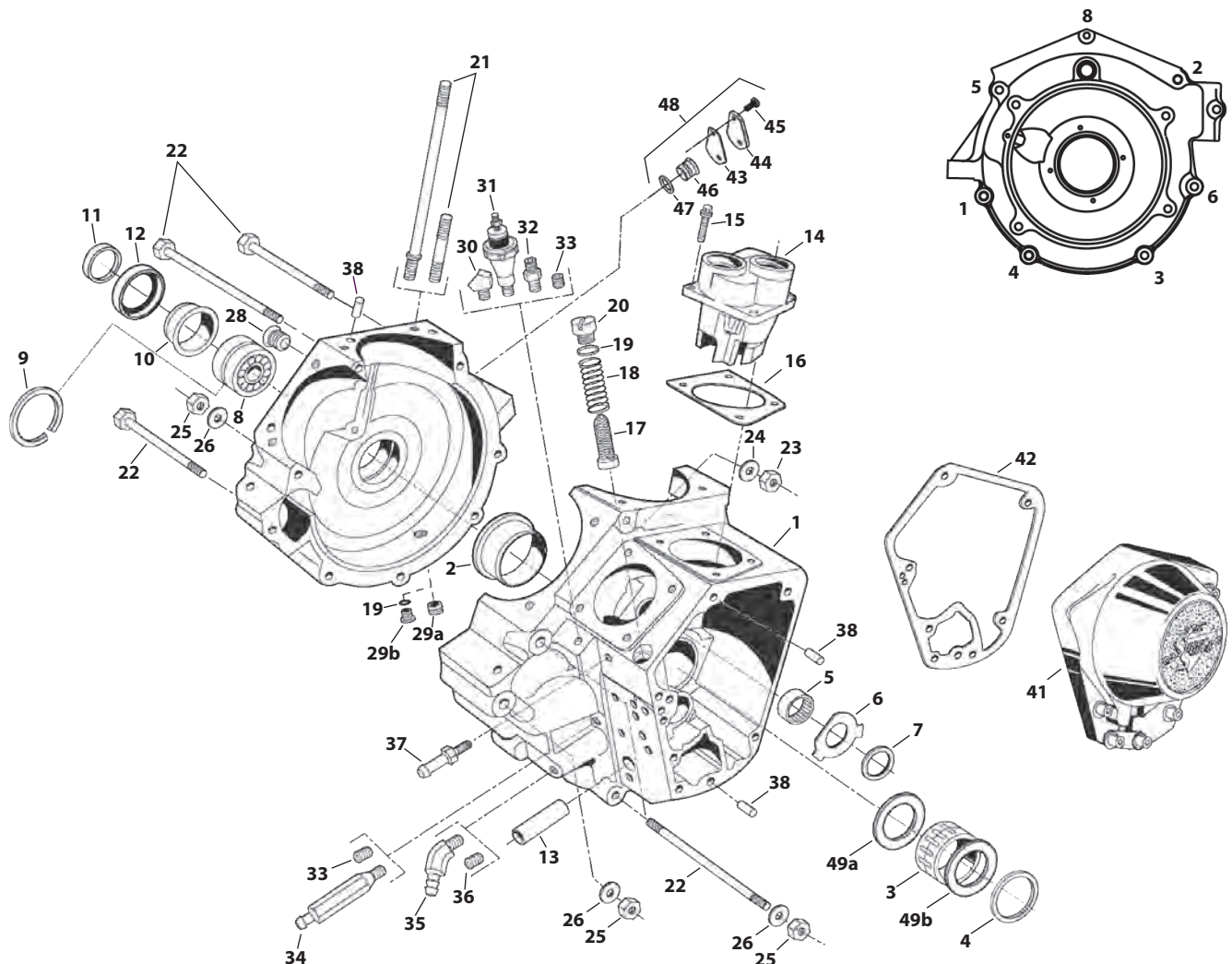
106-1724

All reference to HD® part numbers is for identification purposes only. We in no way are implying that any of S&S Cycle's products are original equipment parts or that they are equivalent to the corresponding HD® part number shown.

# SUPER STOCK CRANKCASE REPLACEMENT PARTS FOR ALTERNATOR STYLE BIG TWIN ENGINES OF LESS THAN 4" CYLINDER BORE

- |   |            |          |
|---|------------|----------|
| 1. Crankcase assembly, half   | N/A        |          |
| 2. Race, right main bearing, All S&S BT<br>Standard 24599-93, 24599-58A, 24599-58B                    |            |          |
|   | 31-4004    | \$71.95  |
| <i>Clearanced for .798" lift 1984-'99 style cam w/ 1" base circle</i>                                 |            |          |
| 3. Right main bearing assembly BT   |            |          |
| White 24626-87A   | 31-4005    | \$39.95  |
| Green 24628-87A   | 31-4016    | \$39.95  |
| Red 24641-87A   | 31-4017    | \$39.95  |
| Blue 24643-87A  | 31-4018    | \$39.95  |
| 4. Retaining ring, main bearing BT 11177A (each)  | 50-8057    | \$1.95   |
| 5 pack  | 50-1004    | \$9.95   |
| 5. Cam needle bearing assembly BT   |            |          |
| 9058  | 31-4009    | \$12.95  |
| 6. Washer, cam lock - BT 25550-57A (each)   | 33-5201    | \$9.95   |
| 5 pack  | 33-5213    | \$41.95  |
| 7. Cam thrust washer - BT   |            |          |
| .050" 25550-36 (each)   | 33-5200    | \$7.95   |
| .055" 25551-36 (each)   | 33-5202    | \$7.95   |
| .060" 25552-36 (each)   | 33-5203    | \$7.95   |
| .065" 25553-36 (each)   | 33-5204    | \$7.95   |
| .070" 25554-36 (each)   | 33-5205    | \$7.95   |
| .075" 25555-36 (each)   | 33-5206    | \$7.95   |
| .080" 25556-36 (each)   | 33-5207    | \$14.95  |
| .090" 25558-36 (each)   | 33-5209    | \$14.95  |
| 8. Left Timken® main bearing assembly 1936-'99<br>S&S BT cases 9028                                   | 31-4013    | \$75.95  |
| 9. Timken Main Bearing Spacers, 1969-up BT<br>Fits 1 1/4" stock diameter shaft.                       |            |          |
| .0995" - .1005" 9124  | 31-4071    | \$12.95  |
| .1015" - .1025" 9125  | 31-4072    | \$12.95  |
| .1035" - .1045" 9126  | 31-4073    | \$11.95  |
| .1055" - .1065" 9127  | 31-4074    | \$12.95  |
| .1075" - .1085" 9128  | 31-4075    | \$12.95  |
| .1195" - .1205" 9134  | 31-4076    | \$8.95   |
| 10. Spacer, drive sprocket, 1965-'99 S&S BT cases<br>24002-70   | 31-4011    | \$31.95  |
| 11. Spacer, Drive Sprocket, 45A Charging System   | N/A        |          |
| 12. Seal, sprocket shaft oil 1936-'99 S&S BT cases<br>12026B (each)                                   | 31-4010    | \$8.95   |
| 5 pack  | 31-4110    | \$41.95  |
| 13. Bushing, oil pump shaft - All S&S BT cases Standard<br>24641-36                                   | 31-4008    | \$31.95  |
| 14. Tappet guide assembly   | N/S        | -        |
| 15. Screw, 12 pt. DHH 1/4" - 20 x 7/8" 3770   | 50-0068    | \$2.95   |
| 4 pack  | 50-0068P   | \$4.95   |
| 16. Gasket, tappet guide - 1948-'99 BT  |            |          |
| Front 18634-48C (each)  | 33-5302F   | \$4.95   |
| 10 pack front   | 33-5313F   | \$20.95  |
| Rear 18633-48B, 18633-48D (each)  | 33-5302R   | \$4.95   |
| 10 pack rear  | 33-5313R   | \$49.95  |
| Set 18633-48 (each front & rear)  | 33-5302    | \$5.95   |
| 10 pack set   | 33-5313    | \$49.95  |
| 17. Crankcase oil screen - 1948-'99 BT 24981-70, 24981-66<br>(each)                                   | 31-2010    | \$3.95   |
| 5 pack  | 31-7008    | \$23.95  |
| 18. Crankcase oil screen spring - 1948-'99 BT<br>24982-66, 24982-70 (each)                            | 31-2011-S  | \$2.95   |
| 19. Cover screw o-ring - 1948-up S&S BT<br>11105, 11273 (each)  | 50-8008    | \$2.95   |
| 10 pack   | 50-8078    | \$9.95   |
| 20. Cover screw - 1948-'99 S&S BT 26263-80, 26362-36<br>each  | 31-6021    | \$5.95   |
| 5 pack  | 31-7005    | \$21.95  |
| 21. Cylinder stud   |            |          |
| 1984-up BT 16837-85C (each)   | 31-2321-S  | \$5.95   |
| 8 pack  | 31-2321    | \$37.95  |
| 1984-up BT with +.500" cases 16832-86C<br>each  | 31-2331-S  | \$6.95   |
| 8 pack  | 31-2331    | \$45.95  |
| 22. Crankcase Hardware<br>Alternator 1970-'99 and Alt/Gen Cases                                       |            |          |
| Alignment Stud, 5/16" - 24 x 5 3/4" 24806-36, 3506  | 31-2003    | \$15.95  |
| (Position 5 & 6)  |            |          |
| Screw, HHCS, 5/16" - 18 x 3 1/2" 3427   | 50-0117    | \$2.95   |
| (Position 7)  |            |          |
| Screw HHCS, 5/16" - 24 x 5"   |            |          |
| Zinc 3430   | 50-0119    | \$2.95   |
| Chrome (each)   | 50-0253-S± | \$6.95   |
| (Position 8)  |            |          |
| Screw HHCS, 1/4" - 28 x 5 1/2" (each)   | 50-0090    | \$2.95   |
| Screw HHCS, 1/4" - 28 x 5 1/2" Chrome (each)  | 50-0252-S± | \$6.95   |
| 23. Nut, Hex - 1/4" - 28 7683   | 50-5011    | \$0.95   |
| 24. Washer, flat - 1/4" x 5/8" x 1/16"  |            |          |
| Zinc 6194, 6245, 6703, 6736, 6228W, 6192 (each)   | 50-7021    | \$2.95   |
| Chrome (each)   | 50-7104-S± | \$2.95   |
| 25. Nut, hex - 5/16" - 24 zinc 7833, 7883   | 50-5023    | \$0.95   |
| 26. Washer, flat - 5/16" x 1 1/8" x 1/16" 6320, 70907-07, 6016, 6702                                  | 50-7034    | \$0.95   |
| 27. Hardware Kits (includes studs, screws, nut and washers)<br>1984-up BT - manufactured after 6-1-08 |            |          |
| Chrome  | 106-4913±  | \$117.95 |
| 1970-'99 big twin   |            |          |
| Zinc Plated   | 106-4908   | \$80.95  |
| Chrome  | 106-4909±  | \$109.95 |
| 28. Plug, timing hole 720   | 31-2005    | \$5.95   |
| 29. Drain plug<br>Manufactured before 5-1-2000  |            |          |
| a. 3/8" - 18 NPT  | 31-2006    | \$5.95   |
| Manufactured after 5-1-2000   |            |          |
| b. 1/2" - 20 thread   | 50-8335    | \$12.95  |
| 30. Fitting, 1/8" x 1/8" pipe, male/female  | 50-8112    | \$5.95   |
| 31. Oil pressure switch 26561-84<br>(Includes: 1 each switch, nut, lock washer.)                      | 31-2016    | \$20.95  |
| 32. Fitting, oil line - .375" x 1/8" - 27 62484-81  | 31-2021    | \$11.95  |
| 33. Plug, SH pipe - 1/8" - 27<br>each   | 50-8331A   | \$2.95   |
| 10 pack   | 50-1015    | \$10.95  |
| 34. Fitting, primary oil return 63533-65, 63533-41A   | 31-2019    | \$20.95  |
| 35. Fitting, 45° hose - 1/4" pipe male x 3/8" male hose   | 50-8113    | \$10.95  |
| 36. Plug, SH pipe, 1/4" - 18, 1965-'69 S&S BT 765   | 50-8330    | \$2.95   |

Bolt Position Diagram



Milwaukee  
Eight  
2007-2017  
Twin Cam  
96"/103"/110"  
1999-2006  
Twin Cam 88"  
1986-2019  
Sportster® & Buell®  
2014-2019  
Street & Street Rod®  
1984-1999  
Evolution®  
1926-1984  
Vintage Engines  
Indian® & Victory® Models  
Tools & Shop Supplies  
Apparel  
Warranty & Company Policy  
Appendix & Index

- 37. Fitting, hose - 1/8"-27 pipe male..... **USA 1,2,3 50-8115** \$4.95
- 38. Dowel pin, .250" diameter x 1/2"  
(1970-up S&S BT) 358, 366 (each)..... **50-8022** \$3.95  
2 pack..... **50-8022-2** \$8.95  
5 pack..... **50-8105** \$8.95
- 39. Screw, SHC - 10-24 x 1" (Stator) (N/S) 2720  
each ..... **50-0044** \$2.95
- 40. Screw, SHS - 10-24 x 5/16" - (Stator plug clamp) (N/S)  
each ..... **50-0045** \$2.95
- 41. Gearcover ..... **N/A** -
- 42. Gearcover gasket 1970-up S&S BT ..... **N/A** -
- 43. Gasket, crank position sensor hole ..... **N/A** -
- 44. Cover, crank position sensor hole..... **31-2056-S** \$2.95
- 45. Screw, Torx, 8-32 x 3/8" 68042-99 ..... **50-0054-S** \$0.95
- 46. Crank position sensor hole plug ..... **106-1189** \$10.95
- 47. O-ring (each)..... **50-8270** \$2.95  
5 pack..... **50-8275** \$3.95
- 48. Crank position sensor hole plug kit ..... **106-2997** \$20.95
- 49. Washer, Right, Main Bearing, Thrust  
a. 1.258" x 1.743" x .071", Steel ..... **31-4038\*** \$6.95  
b. 1.258" x 1.743" x .051", Steel ..... **31-4039\*** \$5.95

\*Thrust washers are normally used with 1958-'86 style bearings with loose rollers and drop in style cages, but can be used to position 1987-up bearings when used on early style flywheels.
































(N/S) = Not Shown  
N/A = No longer available

All reference to HD® part numbers is for identification purposes only. We in no way are implying that any of S&S Cycle's products are original equipment parts or that they are equivalent to the corresponding HD® part number shown.

± WARNING: Cancer and Reproductive Harm – www.P65Warnings.ca.gov

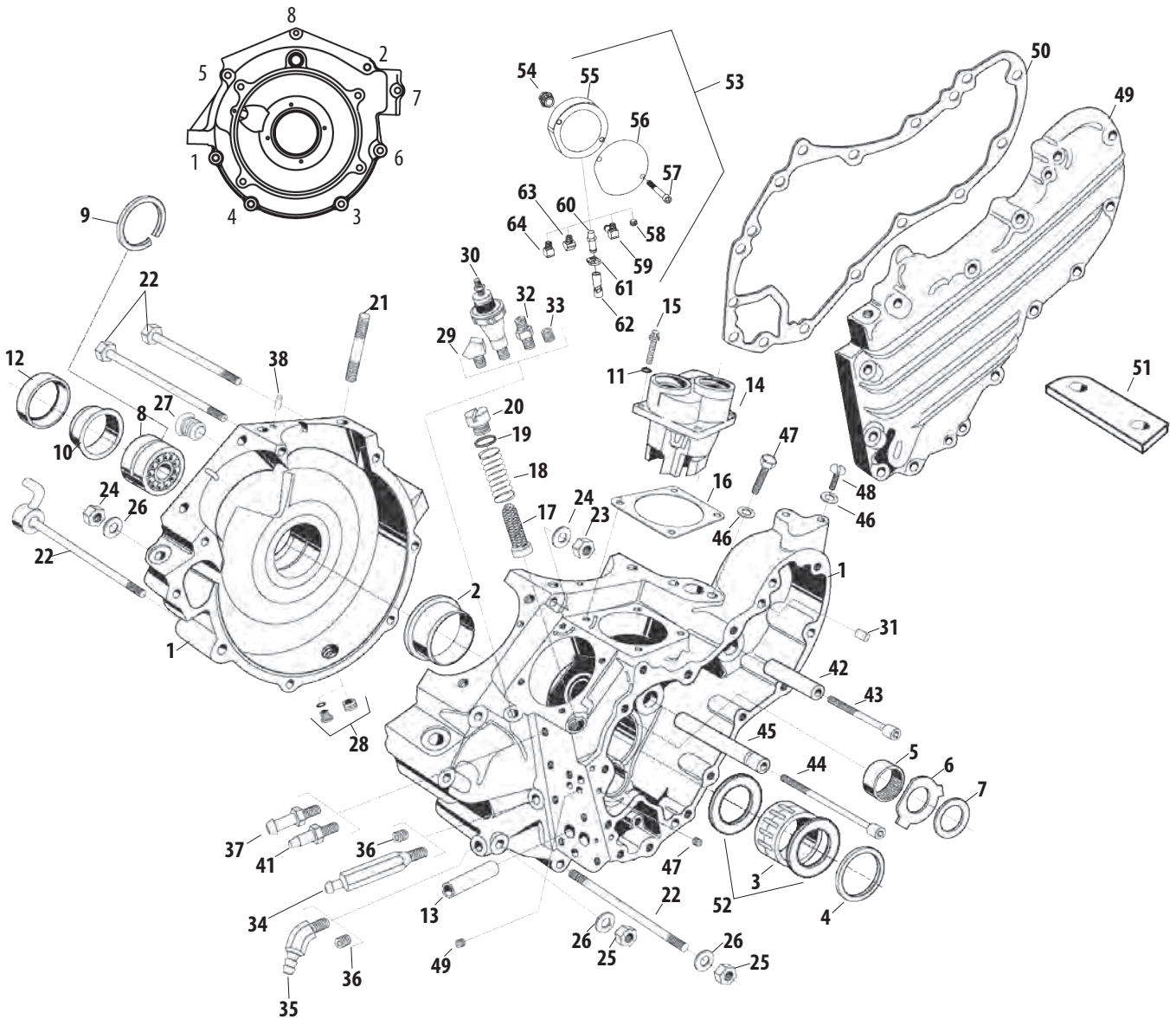
# SUPER STOCK CRANKCASE REPLACEMENT PARTS

## FOR ALTERNATOR/GENERATOR STYLE BIG TWIN ENGINES OF LESS THAN 4" CYLINDER BORE

- |   |   |                  |
|---|---|------------------|
| 1. Crankcase assembly, half.....  | N/A   |                  |
| 2. Race, right main bearing, All S&S BT<br>Standard 24599-93, 24599-58A, 24599-58B                                |  1,2,3 <b>31-4004</b>  | \$71.95          |
| <i>Clearanced for .798" lift 1984-'99 style cam w/1" base circle</i>  |   |                  |
| 3. Right main bearing assembly BT<br>White 24626-87A.....   | <b>31-4005</b>  | \$39.95          |
| Green 24628-87A.....  | <b>31-4016</b>  | \$39.95          |
| Red 24641-87A.....  | <b>31-4017</b>  | \$39.95          |
| Blue 24643-87A.....   | <b>31-4018</b>  | \$39.95          |
| 4. Retaining ring, main bearing BT 11177A (each)  | <b>50-8057</b>  | \$1.95           |
| 5 pack.....   | <b>50-1004</b>  | \$9.95           |
| 5. Cam needle bearing assembly<br>9058.....   |   1,2,3 <b>31-4009</b>      | \$12.95          |
| 6. Washer, cam lock<br>1958-'99 bt 25550-57A (each)   | <b>33-5201</b>  | \$9.95           |
| 5 pack.....   |  <b>33-5213</b>  | \$41.95          |
| 7. Cam thrust washer - BT<br>.050" 25550-36 (each)  |  <b>33-5200</b>  | \$7.95           |
| .055" 25551-36 (each)   |  <b>33-5202</b>  | \$7.95           |
| .060" 25552-36 (each)   |  <b>33-5203</b>  | \$7.95           |
| .065" 25553-36 (each)   |  <b>33-5204</b>  | \$7.95           |
| .070" 25554-36 (each)   |  <b>33-5205</b>  | \$7.95           |
| .075" 25555-36 (each)   |  <b>33-5206</b>  | \$7.95           |
| .080" 25556-36 (each)   |  <b>33-5207</b>  | \$14.95          |
| .090" 25558-36 (each)   |  <b>33-5209</b>   | \$14.95          |
| 8. Left Timken® main bearing assembly 1936-'99<br>S&S BT cases 9028.....  |  1,2,3 <b>31-4013</b>  | \$75.95          |
| 9. Timken Main Bearing Spacers, 1969-up bt<br>Fits 1 1/4" stock diameter shaft.<br>.0995" - .1005" 9124.....      | <b>31-4071</b>  | \$12.95          |
| .1015" - .1025" 9125.....   | <b>31-4072</b>  | \$12.95          |
| .1035" - .1045" 9126.....   | <b>31-4073</b>  | \$12.95          |
| .1055" - .1065" 9127.....   | <b>31-4074</b>  | \$12.95          |
| .1075" - .1085" 9128.....   | <b>31-4075</b>  | \$12.95          |
| .1195" - .1205" 9134.....   | <b>31-4076</b>  | \$8.95           |
| 10. Spacer, drive sprocket<br>1936-'64 S&S BT cases.....  | <b>31-4014</b>  | \$50.95          |
| 1965-'99 S&S BT cases 24002-70.....   |  1,2,3 <b>31-4011</b>  | \$31.95          |
| 11. Washer, Countersunk, 1/4" x 1/2"  | <b>106-3848</b>   | \$0.95           |
| 120268 (each).....  |  <b>31-4010</b>  | \$8.95           |
| 5 pack.....   |  <b>31-4110</b>  | \$41.95          |
| 13. Bushing, oil pump shaft - All S&S BT cases<br>Standard 24641-36.....  |  1,2,3 <b>31-4008</b>  | \$31.95          |
| 14. Tappet guide, 1936-'47 OHV bt & S&S KN-Series<br>Set.....   | <b>106-2410</b>   | \$524.95         |
| Front 18600-36.....   | <b>106-2665</b>   | \$367.95         |
| Rear 18610-36.....  | <b>106-2666</b>   | \$367.95         |
| Tappet Guide, S&S SH & P series and conversion kits only, uses V-Series lifters<br>Set.....                       | <b>33-5450F±</b>  | \$426.95         |
| Front.....  | <b>33-5450F±</b>  | \$256.95         |
| Rear.....   | <b>33-5450R±</b>  | \$256.95         |
| 15. Screw<br>15a. Screw, 12pt, DHH, 1/4"-20 x 7/8" 3770 (each)  | <b>50-0068</b>  | \$2.95           |
| 4 pack.....   | <b>50-0068P</b>   | \$4.95           |
| 15b. Screw, Slotted, Oval, 1/4"-24 x 5/8" 2329.....   | <b>106-3847</b>   | \$3.95           |
| 15c. Screw, Slotted, Oval, 1/4"-20 x 5/8".....  | <b>500-0043</b>   | \$3.95           |
| 16. Gasket, tappet guide - 1948-'99 BT<br>Front 18634-48C (each)  |  <b>33-5302F</b>   | \$4.95           |
| 10 pack front.....  |  <b>33-5313F</b>   | \$20.95          |
| Rear 18633-48B, 18633-48D (each)  |  <b>33-5302R</b>   | \$4.95           |
| 10 pack rear.....   |  <b>33-5313R</b>   | \$24.95          |
| Set (each front & rear) 18633-48B, 18633-48D.....   |  <b>33-5302</b>  | \$4.95           |
| 10 pack set.....  |  <b>33-5313</b>  | \$49.95          |
| Gasket, tappet guide - KN 1936-'47 OHV<br>18632-36<br>(each).....   | <b>106-2561</b>   | \$2.95           |
| 2 pack.....   | <b>106-2563</b>   | \$5.95           |
| 17. Crankcase oil screen - 1948-'99 BT 24981-70, 24981-66<br>(each).....  | <b>31-2010</b>  | \$3.95           |
| 5 pack.....   | <b>31-7008</b>  | \$23.95          |
| 18. Crankcase oil screen spring - 1948-'99 bt 24982-66, 24982-70<br>(each).....                                   | <b>31-2011-S</b>  | \$2.95           |
| 19. Cover screw o-ring - 1948-up S&S BT (each)  | <b>50-8008</b>  | \$2.95           |
| 10 pack.....  | <b>50-8078</b>  | \$9.95           |
| 20. Cover screw - 1948-'99 S&S BT 26263-80, 26362-36<br>(each).....   | <b>31-6021</b>  | \$5.95           |
| 5 pack.....   | <b>31-7005</b>  | \$21.95          |
| 21. Cylinder stud<br>1936-'84 BT Standard 16831-30, 16837-30.....   |  <b>31-2328-S</b>  | \$5.95           |
| 8 pack.....   |  <b>31-2328</b>  | \$37.95          |
| 1936-'84 BT +5/16" longer 16837-78.....   | <b>31-2324-S</b>  | \$29.95          |
| 8 pack.....   | <b>31-2324</b>  | \$236.95         |
| 22. Crankcase Hardware<br>Hardware Kit<br>Alt/Gen Cases<br>Alignment Stud, 5/16" -24 x 5 3/4" 24806-36, 3506..... | <b>31-2003</b>  | \$15.95          |
| (Position 1)<br>Front Chain Oiler Bolt.....   | <b>106-4795</b>   | \$99.95          |
| (Position 5 & 6)<br>Screw, HHCS, 5/16" -18 x 3 1/2".....  | <b>50-0117</b>  | Call For Pricing |
| (Position 7)<br>Screw HHCS, 5/16" -24 x 5" zinc 3430.....   | <b>50-0119</b>  | \$2.95           |
| Chrome (each).....  | <b>50-0253-S±</b>   | \$6.95           |
| (Position 8)<br>Screw HHCS, 1/4" -28 x 5 1/2" (each).....   | <b>50-0090</b>  | \$2.95           |
| Screw HHCS, 1/4" -28 x 5 1/2" Chrome (each).....  | <b>50-0252-S±</b>   | \$6.95           |
| 23. Nut, Hex - 1/4"-28 7683.....  | <b>50-5011</b>  | \$0.95           |
| 24. Washer, flat - 1/4" x 5/8" x 1/16"<br>Zinc 7035, 7036 (each).....   | <b>50-7021</b>  | \$2.95           |
| Chrome (each).....  | <b>50-7104-S±</b>   | \$2.95           |
| 25. Nut, hex - 5/16"-24 zinc 7833, 7883.....  | <b>50-5023</b>  | \$0.95           |
| 26. Washer, flat - 5/16" x 1 1/16" x 1/16"<br>6320, 70907-07, 6016, 6702.....                                     | <b>50-7034</b>  | \$0.95           |
| 27. Plug, timing hole 720.....  |  <b>31-2005</b>  | \$5.95           |
| 28. Drain plug,<br>28a. 3/8"-18 NPT Manufactured before 5-1-2000.....   | <b>31-2006</b>  | \$5.95           |
| 28b. 1/2"-20 thread Manufactured after 5-1-2000.....  | <b>50-8335</b>  | \$12.95          |
| 29. Fitting, 1/8" x 1/8" pipe, male/female.....   | <b>50-8112</b>  | \$5.95           |
| 30. Oil pressure switch (HD# 26561-84)<br>(Includes: 1 each switch, nut, lock washer).....                        |  <b>31-2016</b>  | \$20.95          |
| 31. Dowel pin .375" diameter x 3/4" 1936-'64 S&S BT.....  | <b>50-8017</b>  | \$9.95           |
| 32. Fitting, oil line - .375" x 1/8"-27 62484-81.....   | <b>31-2021</b>  | \$11.95          |
| 33. Plug, SH pipe - 1/8"-27 (each).....   | <b>50-8331A</b>   | \$2.95           |
| 10 pack.....  | <b>50-1015</b>  | \$10.95          |
| 34. Fitting, primary oil return 63533-65, 63533-41A.....  | <b>31-2019</b>  | \$20.95          |
| 35. Fitting, 45° hose - 1/4" pipe male x 3/8" male hose.....  |  <b>50-8113</b>  | \$10.95          |
| 36. Plug, SH pipe 1/4"-18, 1965-'69 S&S BT<br>765.....  |   1,2,3 <b>50-8330</b> | \$2.95           |
| 37. Fitting, hose - 1/8"-27 pipe male.....  |  1,2,3 <b>50-8115</b>  | \$4.95           |
| 38. Dowel pin, .250" diameter x 1/2"<br>(1970-up S&S BT) 358, 366 (each).....                                     | <b>50-8022</b>  | \$3.95           |
| 2 pack.....   | <b>50-8022-2</b>  | \$8.95           |
| 5 pack.....   | <b>50-8105</b>  | \$8.95           |
| 39. Screw, SHC - 10-24 x 1" (Stator) N/S (HD# #2720) (each).....  | <b>50-0044</b>  | \$2.95           |
| 40. Screw, SHS - 10-24 x 3/16" - (Stator plug clamp) N/S.....   | <b>50-0045</b>  | \$2.95           |
| 41. Fitting, oil line 63533-15.....   | <b>31-2018</b>  | \$10.95          |
| 42. Idler gear shaft - 1936-'69 BT 25791-36.....  | <b>31-2039</b>  | \$13.95          |



**BOLT POSITION DIAGRAM**



- |   |                  |          |
|---|------------------|----------|
| <b>43.</b> Screw, SHC 1/4"-20 x 2" (Idler gear shaft)<br>25794-36                               | <b>50-0013</b>   | \$2.95   |
| <b>44.</b> Screw, SHC 1/4" -20 x 3 1/4" (Circuit breaker drive gear shaft.)<br>1430             | <b>50-0012</b>   | \$3.95   |
| <b>45.</b> Shaft, circuit breaker drive gear, 1936-'69 BT<br>25856-36                           | <b>31-2037</b>   | \$38.95  |
| <b>46.</b> Washer, lock - 1/4" 7035, 7036   | <b>50-7019</b>   | \$0.95   |
| <b>47.</b> Screw, HHC 1/4" -20 x 1/2" 1936-'65<br>S&S BT timer 3728                             | <b>50-0014</b>   | \$0.95   |
| 1/4"-20 x 1" 1966-'69 S&S BT timer 2551W  | <b>50-0018</b>   | \$2.95   |
| <b>48.</b> Screw, standard RH 1/4"-20 x 1/2" 2759   | <b>50-0015</b>   | \$0.95   |
| <b>49.</b> Gearcover (See page 440)   |                  |          |
| <b>50.</b> Gearcover gasket 1936-'69 S&S BT 25225-36A   | <b>31-2030</b>   | \$10.95  |
| <b>51.</b> Spacer, motor mount - 1936-'47 BT 24795-48   | <b>31-2017</b>   | \$44.95  |
| <b>52.</b> Washer, Right, Main Bearing, Thrust<br>1.258" x 1.743" x .071", Steel                | <b>31-4038*</b>  | \$6.95   |
| 1.258" x 1.743" x .051", Steel  | <b>31-4039*</b>  | \$5.95   |
| <b>53.</b> Bracket Kit, Oil Filter 1936-69 bt (includes 56-66)                                  | <b>106-3134*</b> | \$178.95 |
| <b>54.</b> Fitting, Straight, 3/4-16 UNF 2A x 1" 26352-95A                                      | <b>50-8197-S</b> | \$12.95  |
| <b>55.</b> Bracket, Oil Filter  | N/A              | -        |
| <b>56.</b> Gasket, Oil Filter Mount   | <b>106-4423</b>  | \$6.95   |
| <b>57.</b> Screw, SHC, 5/16-24 x 2-3/4"   | <b>50-0017</b>   | \$3.95   |
| <b>58.</b> Plug, Pipe, 3/4" x 1/8"-27 x .188"   | <b>50-8331A</b>  | \$2.95   |
| 10 pack   | <b>50-1015</b>   | \$10.95  |
| <b>59.</b> Fitting, Pipe, 90°, 1/8-27 x .375"   | <b>50-8110</b>   | \$20.95  |
| Fitting, Hose, Straight, 1/8-27 x .500"   | <b>50-8115</b>   | \$4.95   |
| <b>60.</b> Clamp, Hose, 5/8" - 7/8"   | <b>50-8002</b>   | \$2.95   |
| <b>61.</b> Hose, Oil Line Return, 3/75" x 12"   | N/A              | -        |
| <b>62.</b> Fitting, Pipe, 45°, 1/8-27 x 1/8-27  | <b>50-8112</b>   | \$5.95   |
| <b>63.</b> Fitting, Pipe, 90°, Male/Female, 1/8-27<br>26338-68, 26561-84A, 26561-81A, 26338-68A | <b>106-2682</b>  | \$8.95   |
| 5 pack  | <b>50-1007</b>   | \$44.95  |

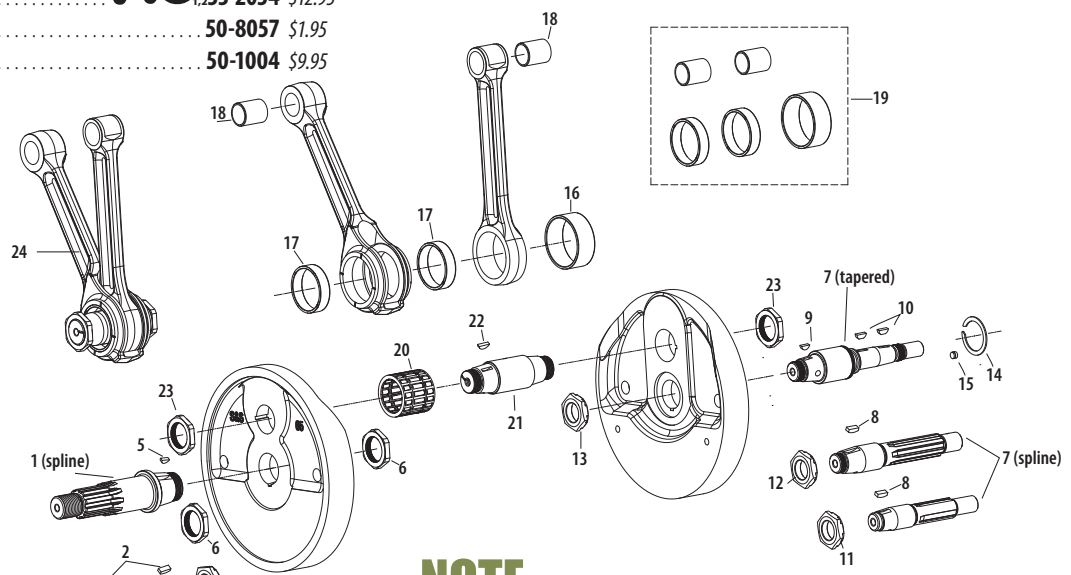
\*Thrust washers are normally used with 1958-'86 style bearings with loose rollers and drop in style cages, but can be used to position 1987-up bearings when used on early style flywheels  
(N/S) = Not Shown  
N/A = No longer available

⚠️ WARNING: Cancer and Reproductive Harm – www.P65Warnings.ca.gov

# FLYWHEEL REPLACEMENT PARTS FOR 1930–'84 BIG TWIN ENGINES

- 1. Sprocket Shaft**  
1930–1954 Including UL SVBT stock & S&S E flywheels  
(straight – roller bearing) (includes #2, 3, 4) 24001-30. . . . **33-2001** \$156.95  
*Note: This shaft uses the larger 55-later thread for added strength and includes the motor sprocket nut. The stock nut will not fit.*  
1955–1964 S&S SE/SL flywheels  
(includes #5 & 6) (spline – Timkin®) . . . . . **33-2002** \$156.95  
1965–1969 S&S SE/SL flywheels  
(includes #5 & 6) (spline – Timkin®) . . . . . **33-2003** \$156.95  
1970–1999 S&S SE/SL flywheels  
(includes #5 & 6) (spline – Timkin®) . . . . . **33-2004** \$129.95
- 2. Key** . . . . . **50-8224** \$7.95
- 3. Sprocket Shaft Nut** . . . . . **33-2031** \$11.95
- 4. Motor Sprocket Nut** . . . . . **33-2032** \$36.95
- 5. Key** . . . . . **50-8225-S** \$2.95
- 6. Sprocket Shaft Nut** . . . . . **33-2033** \$15.95
- 7. Pinion Shaft**  
1939–1953 stock/ S&S E flywheels (spline) (includes #8 & 12)  
Standard . . . . . **33-2021** \$156.95  
1958–early 1981 stock & S&S L/AL/SE flywheels (tapered)  
(includes #8, 12, 10, 14, 15)  
Standard 24006-54A, 24006-73 . . . . . **33-2024** \$156.95  
.001" OS . . . . . **33-2025** \$238.95  
Late 1981–1984 stock/ S&S BL/SL/SM flywheels (tapered)  
(includes #10, 14, 15, 9, 13)  
Standard . . . . . **33-2027** \$156.95  
.001" OS . . . . . **33-2028** \$206.95
- 8. Key** . . . . . **50-8224** \$7.95
- 9. Key 11218** . . . . . **50-8222-S** \$2.95  
5 pack . . . . . **50-1009** \$8.95
- 10. Pinion/Oil Pump Key** . . . . . **50-8221-S** \$2.95  
5 pack . . . . . **50-1008** \$5.95
- 11. Pinion Shaft Nut** . . . . . **N/A** -
- 12. Pinion Shaft Nut** . . . . . **33-2031** \$11.95
- 13. Pinion Shaft Nut** . . . . . **33-2034** \$12.95
- 14. Bearing Retaining Ring 11177A** . . . . . **50-8057** \$1.95  
5 pack . . . . . **50-1004** \$9.95

- 15. Meter Plug**  
.0625" hole . . . . . **50-8316±** \$5.95  
.0925" hole . . . . . **50-8317±** \$3.95  
no hole . . . . . **50-8314±** \$2.95
- 16. Front Rod Race, 1941–1984 24356-36A**  
**34-4005** \$20.95
- 17. Rear Rod Race 24345-36A** . . . . . **34-4006** \$16.95
- 18. Wristpin Bushing 24334-36** . . . . . **34-4007** \$6.95
- 19. Race & Bushing Set (includes #16, 17, 18)** . . . . . **34-4040** \$63.95
- 20. Cage and Bearing Set, Standard 24346-87A, 24385-40B** . . . . . **34-4010** \$73.95
- 21. Crankpin**  
1937–'53 EL / 1940–'48 UL/ULH models (includes #22 & 23)\*  
Standard . . . . . **34-2001** \$314.95  
*\*Stepped crankpin for 1936–'52 (61") engines with stock flywheels.*  
1941–early 1981 (includes #22 & 23)  
Standard . . . . . **34-2003** \$135.95  
.001" OS . . . . . **34-2007** \$135.95  
.002" OS . . . . . **34-2008** \$135.95  
Late 1981–1984 (includes #10 & 23)  
Standard . . . . . **34-2102** \$135.95  
.001" OS . . . . . **34-2103** \$135.95  
.002" OS . . . . . **34-2105** \$135.95  
.003" OS . . . . . **34-2106** \$135.95
- 22. Key** . . . . . **50-8223-S** \$2.95
- 23. Crankpin Nut**  
1937–'53 EL / 1940–'48 UL/ULH models . . . . . **34-2005** \$52.95  
1941–early 1981 & late 1981–1984 **34-2104** \$10.95  
1941–1984 Special Retro Engine . . . . . **34-2006** \$10.95
- 24. Connecting Rod Assembly,**  
1936–1952, Heavy Duty (Stepped crankpin) . . . . . **34-7003** \$577.95  
1941–1981, Heavy Duty . . . . . **34-7004** \$491.95  
1981–1984, Heavy Duty . . . . . **34-7011** \$491.95



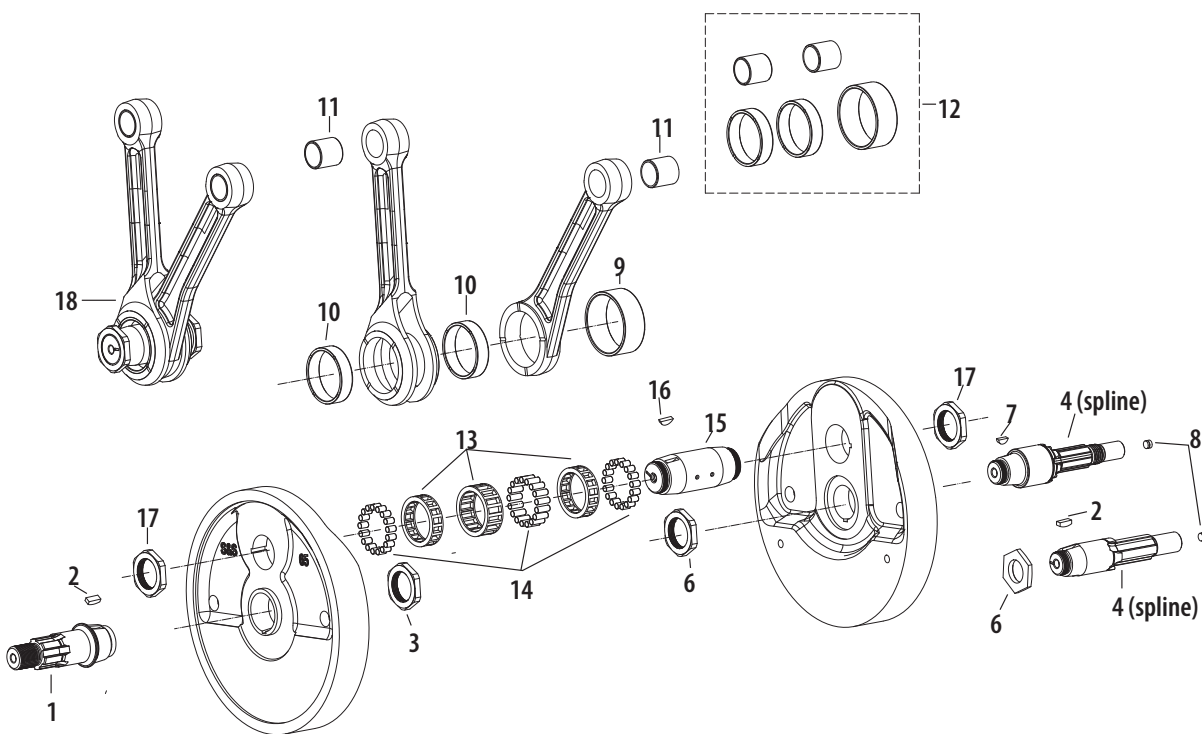
**NOTE**  
Crankpin diameters listed are nominal and it is the engine builders responsibility to confirm correct running clearances when fitting rods to crankpins.

⚠️ **WARNING:** Cancer and Reproductive Harm – www.P65Warnings.ca.gov

# FLYWHEEL REPLACEMENT PARTS FOR 1957-'85 XL ENGINES

1. Sprocket Shaft (includes #2 & 3)  
1957-1976 XL w/S&S SB flywheels ..... **33-2301** \$167.95  
1977-1985 XL w/S&S D/SB/SBD/SCD/SC/SCDR/SCR flywheels **33-2302** \$183.95
2. Key ..... **50-8224** \$7.95
3. Sprocket Shaft Nut ..... **33-2331** \$7.95
4. Pinion Shaft  
Stock 1957-1976 XL and S&S B/SB flywheels (includes #5 & 6)  
Standard ..... **33-2321** \$230.95  
Stock 1977-early 1981 XL and S&S B/BD/SB/SBD/ flywheels (includes #5, 6, 8)\*  
Standard ..... **33-2322** \$259.95  
\*requires 1977-1986 main bearing  
Stock late 1981-1985 XL and S&S C/SC/SCD/SCDR flywheels (includes #6, 7, 8)
6. Pinion Shaft Nut ..... **33-2332** \$39.95
7. Key ..... **50-8222-S** \$2.95  
5 pack ..... **50-1009** \$8.95
8. Meter Plug - stock 1977-1985 XL and S&S B/BD/SB/SBD/C/S/SCD/SCDR flywheels  
.0626" ..... **50-8316** \$5.95
9. Front Rod Race ..... **34-4505** \$83.95
10. Rear Rod Race (one) ..... **34-4506** \$69.95
11. Wrist Pin Bushing ..... **34-4507** \$11.95
12. Race & Bushing Set (includes #9, 10, 11)  
1957-1985 XL (all stock) and all S&S rods ..... **34-4540** \$157.95
13. Alloy Bearing Cage Set ..... **34-4520** \$57.95
14. Bearing Set (std.) ..... **34-4521** \$83.95
15. Crankpin (std.)

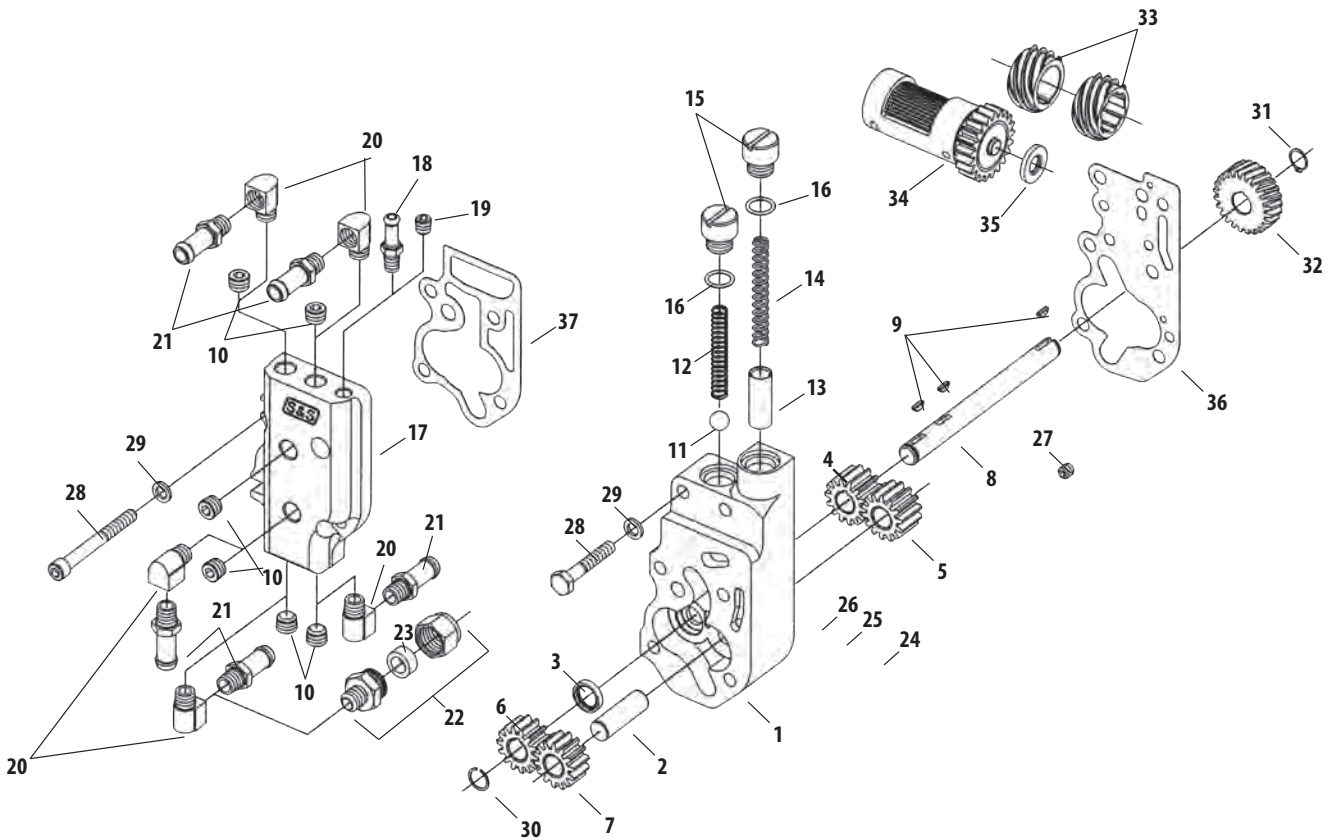
- 1957-early 1981 XL w/ S&S connecting rods (includes #16 & 17)  
Standard ..... **34-2503** \$135.95  
Late 1981-1985 XL w/ S&S connecting rods (includes #7 & 8)  
Standard ..... **34-2602** \$135.95  
.001" OS ..... **34-2603** \$135.95  
.002" OS ..... **34-2605** \$135.95
16. Crankpin Key ..... **50-8223-S** \$2.95  
5 pack ..... **50-1010** \$2.95
  17. Crankpin Nut ..... **34-2504** \$41.95
  18. Connecting Rod Assembly  
1957-early 1981 XL (stock bore) 7.440" rod length  
Heavy Duty ..... **34-7500** \$577.95  
Supreme ..... **34-7710** \$543.95  
Late 1981-1985 XL (stock bore) 7.440" rod length  
Heavy Duty ..... **34-7510** \$577.95  
Supreme ..... **34-7730** \$482.95



# STANDARD BILLET OIL PUMP KIT REPLACEMENT PARTS

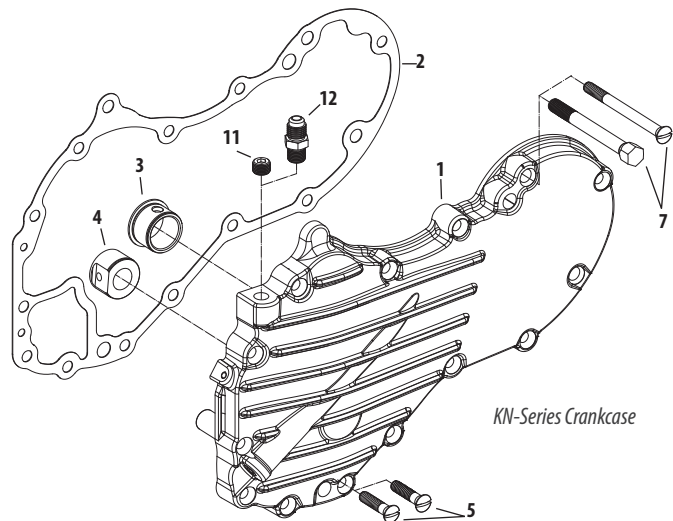
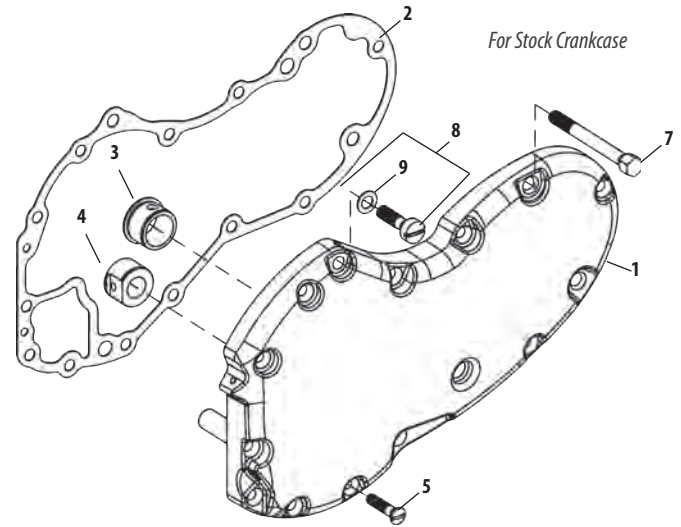
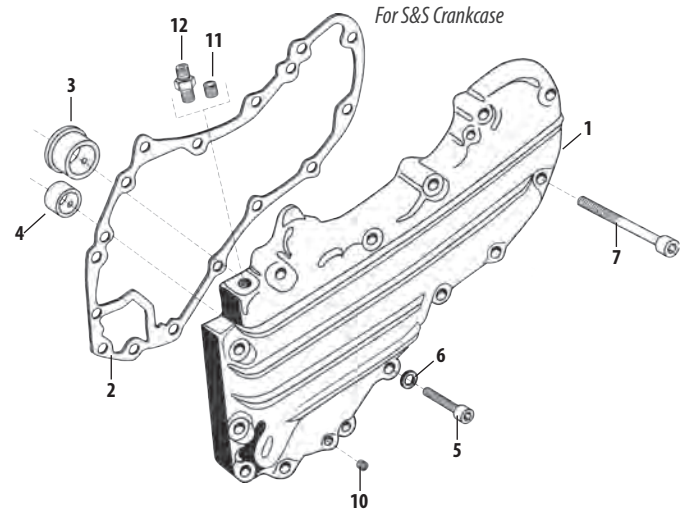
- |  |                   |          |  |
|--|-------------------|----------|--|
| 1. Pump body assembly  |                   |          |  |
| A. Fits 1936-'69   | 31-6048           | \$160.95 |  |
| B. Fits 1965-'69   | 31-6049           | \$159.95 |  |
| C. Fits 1970-'91   | 31-6050           | \$160.95 |  |
| 2. Shaft, idler 26327-68   | USA 31-6004       | \$10.95  |  |
| 3. Seal, drive shaft 26227-58  | USA 31-6005       | \$4.95   |  |
| 4. Gear, return drive 26315-68A  |                   |          |  |
|  | USA 31-6013       | \$20.95  |  |
| 5. Gear, return idler 26317-68A  | USA 31-6014       | \$20.95  |  |
| 6. Gear, supply drive 26328-74, 26320-36   | USA 31-6015       | \$31.95  |  |
| 7. Gear, supply idler 26326-62A  |                   |          |  |
|  | USA 31-6016       | \$31.95  |  |
| 8. Shaft, drive 26346-70   | USA 1,2,3 31-6011 | \$17.95  |  |
| 9. Key, drive shaft 26347-15 each  | 50-8220-S         | \$0.95   |  |
| 10 pack  | 50-8229           | \$9.95   |  |
| 10. Plug, 1/8"-27  |                   |          |  |
| each   | 50-8331A          | \$2.95   |  |
| 10 pack  | 50-1015           | \$10.95  |  |
| 11. Check ball valve 8866, 8873  |                   |          |  |
|  | USA 1,2,3 50-8091 | \$0.95   |  |
| 12. Spring, check valve 26363-36, 26363-56, 26262-80   |                   |          |  |
| each   | 31-6022           | \$2.95   |  |
| 10 pack  | 31-6092           | \$13.95  |  |
| 13. Relief valve 26400-82, 26400-82B   | 31-6082           | \$7.95   |  |
| 14. Spring, relief valve 26207-83  |                   |          |  |
| each   | 31-6018           | \$2.95   |  |
| 10 pack  | 31-6084           | \$13.95  |  |
| For S&S KN-Series engines (each)   | 106-4679          | \$10.95  |  |
| 15. Screw, check valve & relief valve cover  |                   |          |  |
| 26263-80, 26362-36 each  | 31-6021           | \$5.95   |  |
| 5 pack   | 31-7005           | \$21.95  |  |
| 16. O-ring 11105, 11273 (each)   | 50-8008           | \$2.95   |  |
| 10 pack  | 50-8078           | \$9.95   |  |
| 17. Pump cover assembly  |                   |          |  |
| A. Pre-1992 (Top or bottom fittings; accepts pressure gauge.)  |                   |          |  |
| 31-6041  | 31-6059           | \$89.95  |  |
| B. Pre-1992 (Custom bottom fittings only.) 31-6045   | 31-6060           | \$84.95  |  |
| 18. Fitting, front chain hose  | 50-8116           | \$4.95   |  |
| 19. Plug, pipe 1/6"-27 x 1/4" pipe   | USA 50-8332       | \$12.95  |  |
| 20. Elbow, supply/return 26338-68, 26561-84A, 26561-81A, 26338-68A   |                   |          |  |
| each   | 106-2682          | \$8.95   |  |
| 5 pack   | 50-1007           | \$44.95  |  |
| 21. Fitting, supply/return hose  | USA 1,2,3 50-8115 | \$4.95   |  |
| 22. Return fitting, compression (HD# 63523-92)   |                   |          |  |
|  | USA 1,2,3 50-8120 | \$17.95  |  |
| 23. Seal, tubing, 3/8" x 1/2" O.D. x 1/4" Viton  | 50-8271           | \$10.95  |  |
| 24. Screw, chain oiler adjusting   |                   |          |  |
| 63610-70, 63614-72, 26383-32   | 31-6026           | \$5.95   |  |
| 25. Locknut, chain oiler each 7634, 7638   | 50-5000           | \$0.95   |  |
| 26. Washer, chain oiler adjuster (HD# 6156)  |                   |          |  |
| each   | 50-7008           | \$2.95   |  |
| 27. Plug, 1/4"-20  | 50-0069           | \$2.95   |  |
| 2 pack   | 50-0069P          | \$2.95   |  |
| 28. Screws, mounting   |                   |          |  |
| A. 1/4"-24 x 1 1/2" - 1936-'78 (HHCS)  |                   |          |  |
| each   | 50-0082           | \$3.95   |  |
| B. 1/4"-24 x 2 1/4" - 1936-'78 (HHCS) (HD#5430W)   |                   |          |  |
| each   | 50-0088           | \$3.95   |  |
| C. 1/4"-20 x 1 1/2" - 1979-'99 (HHCS)  | 50-0080           | \$0.95   |  |
| D. 1/4"-20 x 2 1/4" - 1979-'99 (SHCS) 4717A  | 50-0078           | \$0.95   |  |
| E. 1/4"-20 x 1-1/2" - 1979-'99 (SHCS) 4718A  | 50-0079           | \$0.95   |  |
| 29. Washer, 1/4" (each)  | 50-7017           | \$2.95   |  |
| 12 pack  | 50-7013           | \$7.95   |  |
| 30. Retaining ring #695-36, 26348-36 each  | 50-8058           | \$2.95   |  |
| 10 Pack  | 50-8106           | \$13.95  |  |
| 31. Retaining ring, external 11002 each  | 50-8059           | \$0.95   |  |
| 10 Pack  | 50-8107           | \$5.95   |  |
| 32. Gear, pump drive, 24T 26345-73   | 33-4230           | \$36.95  |  |
| 33. Gear, pinion shaft pump drive  |                   |          |  |
| A. 1939-'53 splined  | 33-4237           | \$157.95 |  |
| B. 1954-'89 26349-73, 26349-73A  | 33-4232           | \$41.95  |  |
| 34. Gear, Steel breather valve   |                   |          |  |
| 1936-Early 47  |                   |          |  |
| Standard 25300-36  | 106-5070          | \$108.95 |  |
| + .030"  | 106-6012          | \$108.95 |  |
| 1948-Early 77  |                   |          |  |
| Standard 25313-73  | 33-4246           | \$108.95 |  |
| + .030"  | 33-4247           | \$108.95 |  |
| Late 1977-99   |                   |          |  |
| Standard 25310-82A, 25313-77B, 25311-90  | 33-4241           | \$95.95  |  |
| + .030"  | 33-4242           | \$95.95  |  |
| 35. Shim Steel Breather Kit  |                   |          |  |
| 8 pack (Includes one of each thickness)  | 33-4249           | \$24.95  |  |
| 35a. +.100" thick  | 33-4200           | \$4.95   |  |
| 35b. +.110" thick 25320-79   | 33-4201           | \$4.95   |  |
| 35c. +.120" thick 25322-79   | 33-4202           | \$4.95   |  |
| 35d. +.130" thick 25325-79, 25320-82   | 33-4203           | \$4.95   |  |
| 35e. +.140" thick 25322-82, 25327-79   | 33-4204           | \$4.95   |  |
| 35f. +.150" thick 25325-82   | 33-4205           | \$4.95   |  |
| 35g. +.160" thick 25327-82   | 33-4206           | \$4.95   |  |
| 35h. +.170" thick  | 33-4207           | \$4.95   |  |
| 36. Gasket rebuild kit (N/S) Includes key and retaining ring.  |                   |          |  |
| A. 1936-'91  | 31-6271           | \$12.95  |  |
| 37. Master rebuild kit - (N/S)   |                   |          |  |
| Includes: gasket rebuild kit, seal, retaining ring, relief valve spring, check valve spring, check valve, ball, and cover screw o-rings. |                   |          |  |
| A. 1936-'91  | 31-6275           | \$24.95  |  |
| 38. Drill jig, oil pump (N/S)  | 53-0013           | \$54.95  |  |
| 39. Oil pump mounting hardware kit (N/S)   | 31-6288           | \$16.95  |  |
| 40. Hardware kit, oil pump cover (N/S)   | 31-6283±          | \$52.95  |  |
| 41. Primary chain oiler screw kit (N/S)  | 31-6291±          | \$7.95   |  |

(N/S) = Not Shown



# GENERATOR STYLE GEARCOVER REPLACEMENT PARTS

1. Gearcover assembly – (See page 440)
2. Gasket, Gear cover  
 Stock crankcases, 1936-'69 25225-36C ..... **106-2072** \$13.95  
 S&S crankcases, 1936-'69 25225-36A ..... **31-2030** \$10.95
3. Bushing, cam, 1936-'69 25581-36 ..... **31-4025** \$15.95
4. Bushing, pinion shaft  
 1954-'72 25582-54A, 22582-73 ..... **31-4020** \$13.95  
 1936-'53 25582-36 ..... **31-4029** \$30.95
5. Screw, gear cover mounting  
 Stock crankcases  
 Slotted countersunk, oval, ¼-24 x 1½", cadmium 2341HW, 2341  
 each ..... **106-2013** \$3.95  
 S&S crankcases  
 SHCS ¼"-20 x 7/8" ..... **50-0025** \$0.95  
 Slotted countersunk ¼"-20 x 1½" ..... **106-4732** \$3.95
6. Washer (S&S crankcases only) .260" x .425" x .060 chrome  
 each ..... **50-7017±** \$2.95  
 12 pack ..... **50-7013±** \$7.95
7. Generator bolt  
 Stock crankcases  
 HH countersunk, 5/16"-24 x 3¼" cadmium ..... **106-2107** \$7.95  
 Slotted countersunk oval ¼"-24 x 3" (each) ..... **106-3814** \$6.95  
 S&S crankcases  
 SHCS 5/16"-24 x 2¾" ..... **50-0017** \$3.95
8. Oil passage screw, slotted hollow, includes nylon washer,  
 1963-'65 BT ..... **106-2014** \$26.95
9. Washer, flat, 5/16" x 5/16" x .025" white nylon ..... **N/A**
10. Screw, SHS – ¼"-20 x 3/16" ..... **50-0024** \$2.95  
 2 pack ..... **50-0024P** \$4.95
11. Pipe plug, SH 1/8"-27 each ..... **50-8331A** \$2.95  
 10 pack ..... **50-1015** \$10.95
12. Oil line fitting 17330-42 ..... **106-4734** \$26.95



All reference to HD® part numbers is for identification purposes only. We in no way are implying that any of S&S Cycle's products are original equipment parts or that they are equivalent to the corresponding HD® part number shown.

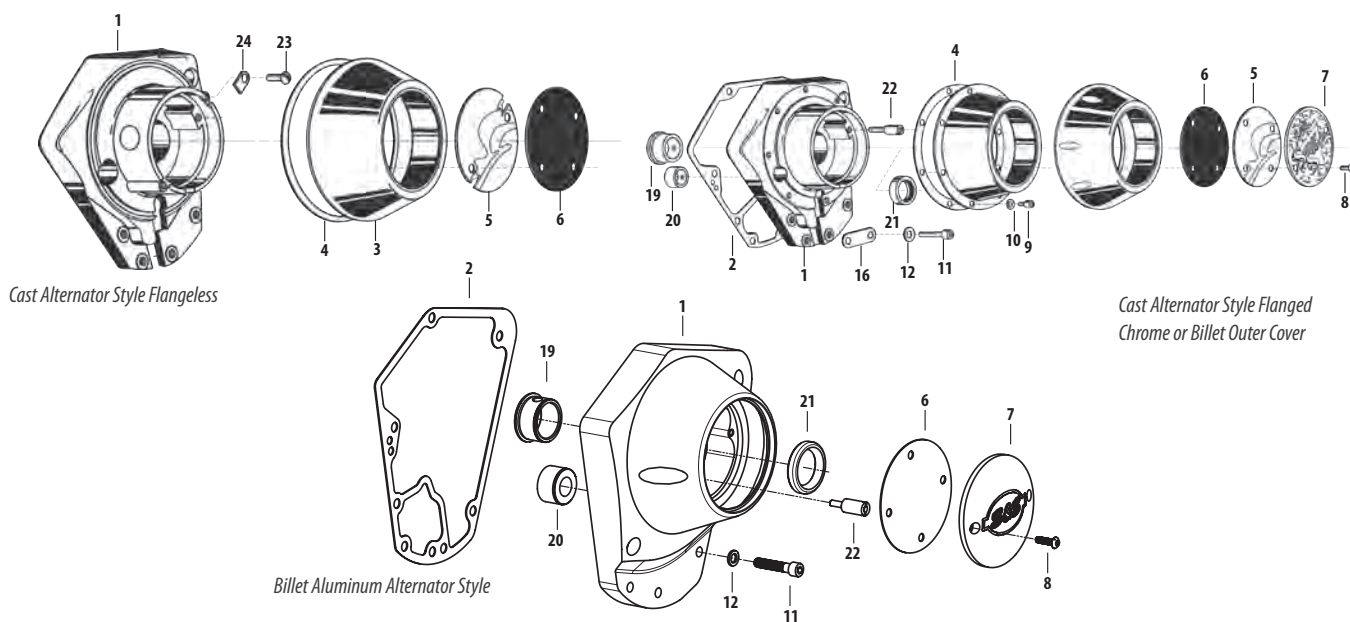
± WARNING: Cancer and Reproductive Harm – www.P65Warnings.ca.gov

# GEARCOVER KIT REPLACEMENT PARTS

1. Gearcover assembly – (See page 441)
2. Gasket, gearcover  
1970-'99 BT **25225-93A, 25225-93B, 25225-70C, 25257-80**  
each ..... **31-2107** \$4.95  
10 pack ..... **106-0232** \$35.95
3. Outer Cover for Cast Gearcovers 1970-99 bt  
Flangeless type - chrome ..... **31-0238**± \$44.95
4. Gasket, outer cover - 1970-'99 BT  
Flanged type each ..... **31-0218** \$5.95  
5 pack ..... **31-0256** \$24.95  
Flangeless type each) ..... **31-0237** \$3.95  
5 pack ..... **31-0261** \$16.95
5. Ignition cover, inner - 1970-'99 BT  
Flanged type 32504-80 ..... **31-0215** \$2.75  
Flangeless type ..... **31-0235** \$3.95
6. Gasket, ignition cover - 1970-'99 BT  
32591-80, 32591-70 each ..... **31-0225** \$1.95
7. Ignition cover, outer - 1970-'99 BT  
Chrome, billet S&S Logo ..... **31-0332**± \$66.95
8. Screw, RSH - 8-32 x 1/2" (replaces stock rivets)  
Stainless Steel each ..... **50-0048** \$2.95  
Chrome each ..... **50-0266-5**± \$3.95
9. Screw, SH  
10-24 x 3/8" - chrome for billet cover ..... **50-0023**± \$2.95
10. Washer, flat .192" x 3/16" x .035"  
each 6150W ..... **50-7009** \$2.95
11. Screw, SH - Use in all positions

- 1970-'99 BT - 1/4"-20 x 1 1/4" 4740A, 3482A  
Zinc each ..... **50-0008** \$2.95  
Chrome ..... **50-0257-5**± \$3.95
12. Washer, flat  
1/4" x .474" x .050" each ..... **50-7020** \$2.95  
1/4" Flat washer, chrome, billet covers  
each ..... **50-7017**± \$2.95  
12 pack ..... **50-7013**± \$7.95
16. Wire harness clip 38711-93 ..... **31-2029** \$0.95
19. Cam bushing, gearcover  
1970-'99 BT **25581-70** ..... **31-4019** \$11.95
20. Pinion shaft bushing, gearcover  
1973-'99 BT 25582-93, 25582-73 ..... **31-4031** \$11.95
21. Gearcover oil seal 1970-'99 BT **83162-51**  
each ..... **31-4022** \$4.95
22. Screw, timing mechanism 32606-82  
each ..... **31-0224** \$5.95  
2 pack ..... **31-0224P** \$9.95
23. Screw, standard panhead 8-32 x 3/8" each ..... **50-0004** \$2.95
24. Clip, outer cover each ..... **31-0233** \$4.95









N/A= No longer available







All reference to HD® part numbers is for identification purposes only. We in no way are implying that any of S&S Cycle's products are original equipment parts or that they are equivalent to the corresponding HD® part number shown.

± WARNING: Cancer and Reproductive Harm – www.P65Warnings.ca.gov

# SUPER STOCK® CYLINDER HEADS REPLACEMENT PARTS FOR 1966–'84 BIG TWIN ENGINES

1. Cylinder head (See page 449)
2. Valves
  - Intake
    - 1.950" 18075-80, 18075-81, 18078-80, 18078-81, 18078-81 . . . . . **90-2015** \$69.95
    - 1.950" +.005" . . . . . **90-2020** \$61.95
  - Exhaust – 1948-'84 BT
    - 1.720" 18086-80, 18086-81, 18089-80, 18089-81 . . . . . **90-2022** \$69.95
    - 1.720" +.005" stem diameter. . . . . **90-2031** \$61.95
3. Valve seats
  - Intake – 1.940"
    - Standard 18020-79, 18018-66, 18056-66B . . . . . **90-2017** \$31.95
    - +.002" oversize . . . . . **N/A**
    - +.010" oversize . . . . . **90-2117** \$27.95
  - Exhaust – 1.750"
    - Standard 18017-66, 18055-66B, 18010-79 . . . . . **90-2018** \$25.95
    - +.002" oversize . . . . . **90-2119** \$31.95
    - +.010" oversize . . . . . **90-2121** \$33.95
4. Valve guide – cast – 1980-'84 BT
  - Intake or Exhaust
    - Standard 18017-66, 18055-66B, 18010-79 . . . . .  **90-2240** \$17.95
    - +.001" 18109-81A . . . . .  **90-2241** \$41.95
    - +.002" 18108-81A, 90-2232 . . . . .  **90-2242** \$52.95
    - +.003" 18107-81A, 90-2233 . . . . .  **90-2243** \$52.95
    - +.004" 18106-81A, 90-2234 . . . . .  **90-2244** \$52.95
    - +.006" (HD® #18110-81A) . . . . .  **90-2246** \$52.95
    - +.060" . . . . .  **90-2249** \$52.95
5. Valve guide seal – intake or exhaust
  - 1981-'84 BT 18000-81 4 pack . . . . .  **900-1005** \$11.95
6. Valve spring shim – Late 1981-'84 BT
  - .005" x .765" x 1.500" . . . . . **50-7121** \$4.95
  - .015" x .765" x 1.500" . . . . . **50-7122** \$3.95
  - .025" x .765" x 1.500" . . . . . **50-7123** \$3.95
7. Valve spring kit – Late 1981-'84
  - (Includes springs, top & bottom collars, keepers shims)
  - .590" lift – steel top collars . . . . . **90-2063** \$188.95
8. Valve spring keeper – intake or exhaust
  - 1936-'84 BT 18228-36 each . . . . . **90-2037-S** \$3.95
  - 8 pack . . . . . **50-7165** \$28.95
9. Screw, SH – 5/16" – 18 x 1" (HD® #2708A) . . . . . **50-0101** \$0.95
10. Lock washer – 5/16" (HD® #7041) . . . . . **50-7032** \$0.95
11. Exhaust pipe gasket – 1966-'84 BT (HD® #653834-68A) . . . . . **93-1004-S** \$5.95
12. Head mount bolt – 7/16" – 14 x 1 1/4" (HD® #3782) each . . . . . **50-0171** \$2.95
13. Flat washer – 7/16" x 1 5/16" x 3/8" (HD® #6495HW) . . . . . **50-7064** \$2.07
14. Rocker cover mounting screw – 1966-'84 BT
  - Hex head – 5/16" – 18 x 1 1/2" (HD® #2818) each . . . . . **50-0109** \$2.95
  - Hex head – 5/16" – 18 x 2 1/2" (HD® #3501) each . . . . . **50-0104** \$2.95
15. Flat washer – 5/16" 6320, 70907-07, 6016, 6702 . . . . . **50-7034** \$0.95
16. Rocker cover gasket 1966-'84 BT 17540-69, 17540-69A
  - each . . . . . **90-4040** \$8.95
  - 10 pack . . . . . **90-4064** \$72.95
17. Intake manifold (See page 464)

18. Manifold seal
    - 0-ring – 1955-'78 BT 27060-55
      - each . . . . . **50-8046** \$5.95
      - 10 pack . . . . . **50-8132** \$41.95
    - Band – 1979-'84 BT 27062-78
      - each . . . . .  **16-0238** \$4.95
      - 10 pack . . . . .  **16-0245** \$35.95
  19. Manifold mounting clamp
    - 0-ring type heads – 1955-'78 BT 27063-57 . . . . . **16-0230** \$21.95
    - Band type heads – 1979-'85 BT 27063-80, 27063-78 . . . . .  **16-0231** \$15.95
  20. Head bolt assembly, stainless – 1948-'84 BT
    - (Includes head bolt & washer.) 6469HW
      - 10 pack . . . . .  **93-3024** \$89.95
      - 20a. Head Bolt, each. . . . . **93-3024-S** \$7.95
      - 20b. Head bolt washer – 1936-'84 BT
        - (For part #90-3024, #90-3026 & #90-3040) . . . . . **93-3025** \$3.95
  21. Head gasket, copper – 1966-'84 BT
    - 3 3/4" & 3 1/2" bore 16770-66B each . . . . . **93-1041** \$26.95
    - 10 pack . . . . . **93-1061** \$262.95
    - 3 5/8" bore each . . . . . **93-1042** \$31.95
    - 10 pack . . . . . **93-1062** \$262.95
  22. Fitting, oil return, 1/8" – 27 pipe 63533-65, 63533-41A . . . . . **31-2019** \$20.95
  23. Plug, oil return, 1/8" – 27 pipe each . . . . . **50-8331A** \$2.95
  - 10 pack . . . . . **50-1015** \$10.95
- N/A= No longer available

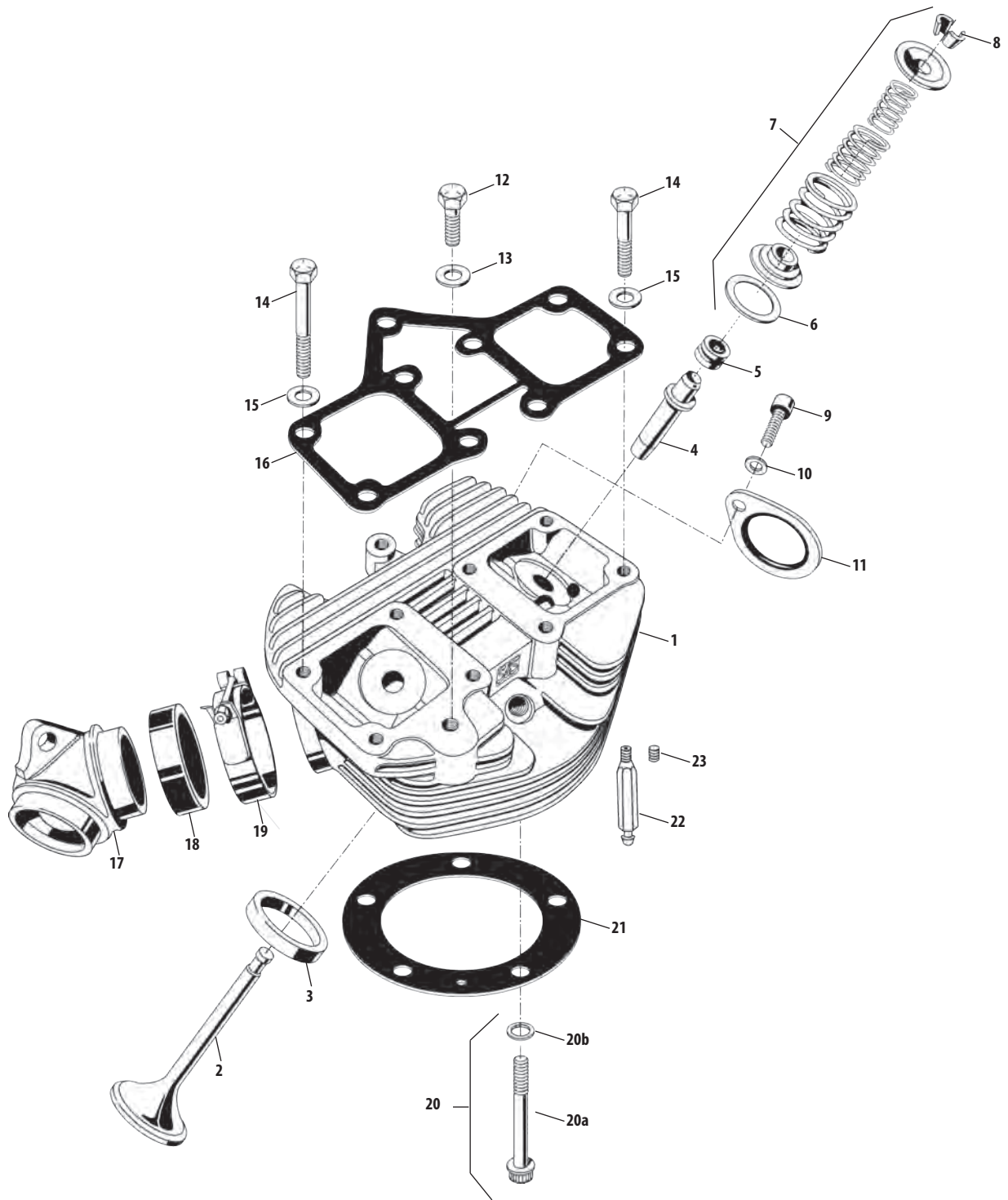
## TOP END REBUILD GASKET KITS FOR S&S® ENGINES FOR BIG TWINS

S&S Engine Family	Year Group	Bore Size	Part #	MSRP
P Series/SH-Series	1966-'84	3 3/8"	<b>90-9501</b>	\$167.95
P Series/SH-Series	1966-'84	3 1/2"	<b>90-9500</b>	\$167.95

## CYLINDER HEAD GASKET KITS FOR S&S® ENGINES FOR BIG TWINS

S&S Engine Family	Year Group	Bore Size	Part #	MSRP
P Series/SH-Series	1966-'84	3 3/8"	<b>90-1918</b>	\$83.95
P Series/SH-Series	1966-'84	3 1/2"	<b>90-1917</b>	\$83.95
















All reference to HD® part numbers is for identification purposes only. We in no way are implying that any of S&S Cycle's products are original equipment parts or that they are equivalent to the corresponding HD® part number shown.

# CYLINDER HEAD REPLACEMENT PARTS

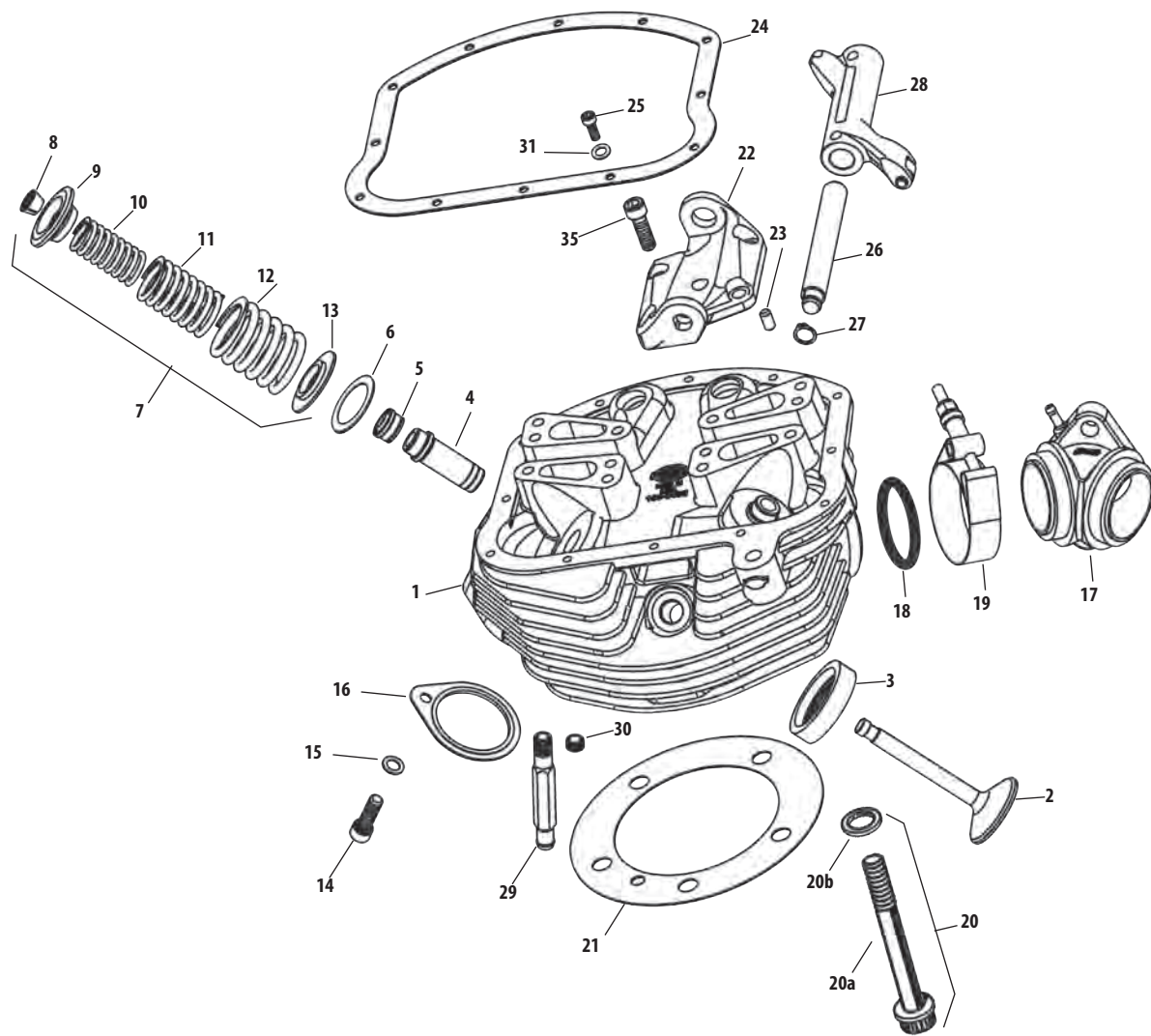
## FOR P-SERIES ENGINES, PANHEAD CYLINDER HEAD AND VALVE TRAIN UPDATE KIT & SHOVELHEAD RETRO CONVERSION KIT

1. Cylinder head – (See page 449)		
2. Valves		
Intake		
1.950" 18075-80, 18075-81, 18078-80, 18078-81, 18078-81	<b>90-2015</b>	\$69.95
1.950" +.005"	<b>90-2020</b>	\$61.95
Exhaust – 1948-'84 bt		
1.720" 18086-80, 18086-81, 18089-80, 18089-81	<b>90-2022</b>	\$69.95
1.720" +.005" stem diameter	<b>90-2031</b>	\$61.95
3. Valve seats		
Intake – 1.940"		
Standard 18020-79, 18018-66, 18056-66B	<b>90-2017</b>	\$31.95
+ .002" oversize	<b>N/A</b>	
+ .010" oversize	<b>90-2117</b>	\$27.95
Exhaust – 1.750"		
Standard 18017-66, 18055-66B, 18010-79	<b>90-2018</b>	\$25.95
+ .002" oversize	<b>90-2119</b>	\$31.95
+ .010" oversize	<b>90-2121</b>	\$33.95
4. Valve guide – cast – 1980-'84 bt		
Intake or Exhaust (see valve guide diameter chart)		
Standard	 <b>90-2240</b>	\$17.95
+ .001" 18109-81A	 <b>90-2241</b>	\$41.95
+ .002" 18108-81A, 90-2232	 <b>90-2242</b>	\$52.95
+ .003" 18107-81A, 90-2233	 <b>90-2243</b>	\$52.95
+ .004" 18106-81A, 90-2234	 <b>90-2244</b>	\$52.95
+ .006" (HD#18110-81A)	 <b>90-2246</b>	\$52.95
+ .060"	 <b>90-2249</b>	\$52.95
5. Valve guide seal – intake or exhaust 1981-'84 bt 18000-81		
4 pack	 <b>900-1005</b>	\$11.95
6. Valve spring shim – Late 1981-'84 bt		
.005" x .765" x 1.500" each	<b>50-7121</b>	\$4.95
.015" x .765" x 1.500" each	<b>50-7122</b>	\$3.95
.025" x .765" x 1.500" each	<b>50-7123</b>	\$3.95
7. Valve spring kit – Late 1981-'84 (Includes springs, top & bottom collars, keepers shims)		
.590" lift – steel top collars	<b>90-2063</b>	\$188.95
8. Valve spring keeper – Intake or exhaust 1936-'84 bt		
each	<b>90-2037-S</b>	\$3.95
8 pack	<b>50-7165</b>	\$28.95
9. Top Collar, Steel, .590"	<b>90-2057</b>	\$11.95
10. Inner Spring, .590"	<b>90-2054</b>	\$10.95
11. Middle Spring, .590"	<b>90-2055</b>	\$10.95
12. Outer Spring, .590"	<b>90-2056</b>	\$10.95
13. Bottom Collar, Steel, .590"	<b>90-2062</b>	\$10.95
14. Screw, SHCS, 5/16-18 x 3/4" Zinc 3275	<b>50-0302-S</b>	\$0.95
15. Lock washer – 5/16"	<b>50-7032</b>	\$0.95
16. Exhaust pipe gasket – 1966-'84 bt each	<b>93-1004-S</b>	\$5.95
17. Intake manifold (See page 464)		
18. Manifold seal – O-ring – 1955-'78 bt 27060-55		
each	<b>50-8046</b>	\$5.95
10 pack	<b>50-8132</b>	\$41.95
19. Manifold mounting clamp O-ring type heads 1955-'78 bt 27063-57	<b>16-0230</b>	\$21.95
20. Head bolt assembly, stainless – 1948-'84 bt (Includes head bolt & washer) 6469HW 10 Pack	 <b>93-3024</b>	\$89.95
a. Head Bolt, 12 pt, 7/16-20 X 2-3/8" x 1" TD 1324-S		
each	 <b>93-3024-S</b>	\$7.95
b. Head bolt washer – 1936-'84 bt, each	<b>93-3025</b>	\$3.95

21. Head Gaskets		
Head, Gasket, Copper – 1966-84bt		
21a. 3 1/16" & 3 1/2" Bore		
each 16770-66B	<b>93-1041</b>	\$26.95
10 pack	<b>93-1061</b>	\$262.95
Head Gasket Kit	<b>106-1095</b>	\$83.95
21b. 3 5/8" Bore		
each	<b>93-1042</b>	\$31.95
10 pack	<b>93-1062</b>	\$262.95
Head Gasket Kit	<b>106-1096</b>	\$83.95
Head Gasket, Composite – 1948-65 bt		
21c. 3 5/8" Bore		
each	<b>93-1019</b>	\$20.95
Head Gasket, Copper – 1948-65 bt		
21d. 3 1/16" & 3 1/2" Bore		
each 16770-48	<b>106-5933</b>	\$31.95
Head Gasket Kit	<b>106-5934</b>	\$136.95
21e. 3 5/8" Bore		
each	<b>106-5937</b>	\$31.95
Head Gasket Kit	<b>106-5938</b>	\$136.95
22. Rocker arm support		
Front intake/rear exhaust	<b>106-0928</b>	\$136.95
Rear intake/front exhaust	<b>106-0929</b>	\$136.95
23. Pin, 1/4" diameter x 1/2" each	<b>50-8022</b>	\$3.95
2 pack	<b>50-8022-2</b>	\$8.95
5 pack	<b>50-8105</b>	\$8.95
24. Gasket, rocker cover 1948-'65 bt each	<b>900-0329</b>	\$17.95
Set 117541-48	<b>900-0339</b>	\$31.95
25. Screw, SHC #10-24 x 3/4" 2674, 2675 each	<b>106-0913</b>	\$3.95
26. Shaft, Rocker Arm, S&S P-Series	  <b>106-0915</b>	\$44.95
4 pack	<b>106-0916</b>	\$156.95
27. Snap ring SHF-37 3/8" x .050" each	<b>106-0917</b>	\$2.95
28. Roller rocker arm		
Set	<b>900-4320A</b>	\$546.95
Front exhaust/rear intake 17375-66A	<b>900-4320FA</b>	\$167.95
Rear exhaust/front intake 17360-66A	<b>900-4320RA</b>	\$167.95
29. Fitting, oil return, 1/8"-27 pipe 63533-65, 63533-41A	<b>31-2019</b>	\$20.95
30. Plug, oil return, 1/8"-27 pipe each	<b>50-8331A</b>	\$2.95
10 pack	<b>50-1015</b>	\$10.95
31. Flat washer, .192" x 5/16" x .035"		
each	<b>50-7009</b>	\$2.95
<b>Not Shown:</b>		
32. Head mount bolt – 7/16"-14 x 1 1/4"		
each	<b>50-0171</b>	\$2.95
33. Flat washer – 7/16" x 1 5/16" x 1/8" 6495HW	<b>50-7064</b>	\$2.95
34. Cover, rocker arm, set, 1948-'65 bt 17500-48A	<b>106-0919</b>	\$249.95
35. Screw, SHC, 5/16-18 x 1", Zinc, ASTM A574-92 3201WA, 2708	<b>50-0101</b>	\$0.95

N/A= No longer available

All reference to HD® part numbers is for identification purposes only. We in no way are implying that any of S&S Cycle's products are original equipment parts or that they are equivalent to the corresponding HD® part number shown.



**TOP END REBUILD GASKET KITS FOR S&S® ENGINES**

S&S Engine Family	Year Group	Bore	Part #	MSRP
P Series/SH-Series	1966-'84	3 5/8"	<b>90-9501</b>	\$167.95
P Series/SH-Series	1966-'84	3 1/2"	<b>90-9500</b>	\$167.95

**VALVE GUIDE DIAMETERS FOR S&S® P AND SH SERIES ENGINES AND 1980-'84 BIG TWIN**

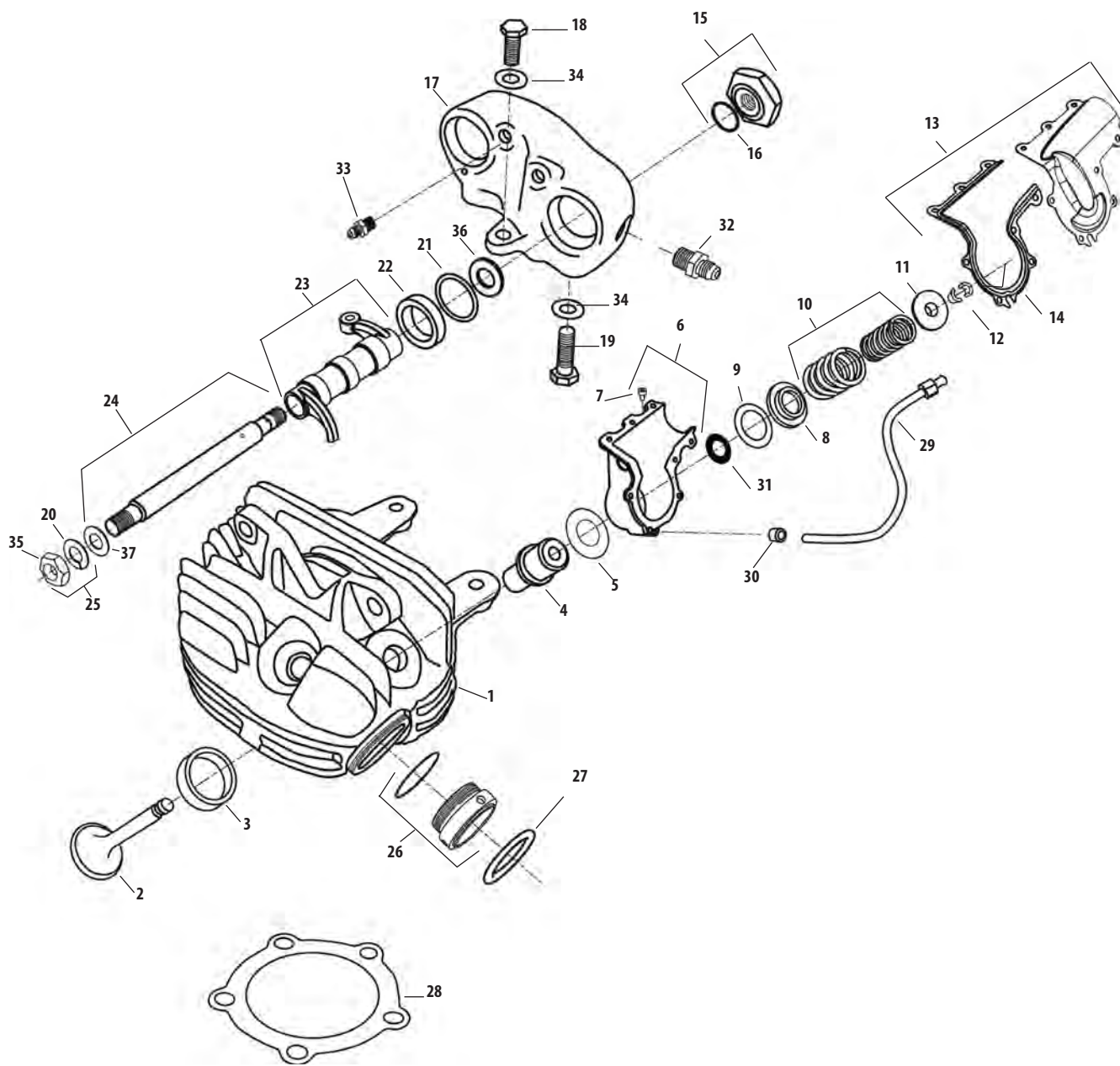
Oversize	Diameter	Part #	MSRP
Std.	.6250/.6245	<b>90-2240</b>	\$17.95
+.001 18109-81A	.6260/.6255	<b>90-2241</b>	\$41.95
+.002 18108-81A, 90-2232	.6270/.6265	<b>90-2242</b>	\$52.95
+.003 18107-81A, 90-2233	.6522/.6519	<b>90-2243</b>	\$52.95
+.004 18106-81A, 90-2234	.6290/.6285	<b>90-2244</b>	\$52.95
+.006 18104-81A, 90-2236	.6310/.6305	<b>90-2246</b>	\$52.95
+.060	.6850/.6845	<b>90-2249</b>	\$52.95

All reference to HD® part numbers is for identification purposes only. We in no way are implying that any of S&S Cycle's products are original equipment parts or that they are equivalent to the corresponding HD® part number shown.

Milwaukee  
Eight  
2007-2017  
Twin Cam  
96"/103"/110"  
1999-2006  
Twin Cam 88"  
1986-2019  
Sportster® & Buell®  
2014-2019  
Street &  
Street Rod®  
1984-1999  
Evolution®  
1926-1984  
Vintage Engines  
Indian® &  
Victory® Models  
Tools  
& Shop Supplies  
Apparel  
Warranty &  
Company Policy  
& Index

# CYLINDER HEAD REPLACEMENT PARTS FOR 1936–'47 KNUCKLEHEADS AND KN-SERIES ENGINES

- |  |                  |            |  |                 |            |
|--|------------------|------------|--|-----------------|------------|
| 1. Head, kit, .421" dual steel<br>For covers, gloss black<br>1936-'47 OHV BT; KN-Series                  | <b>106-2403</b>  | \$1,565.00 | 20. Washer, Lock, 7/16", Zinc  | <b>106-4357</b> | \$2.95     |
| 2. Valve<br>Intake, 1.940"   | <b>106-3630</b>  | \$46.95    | 21. Washer, packing 1936-'47 OHV BT 17482-36   | <b>106-4358</b> | \$8.95     |
| Exhaust, 1.750"  | <b>106-3629</b>  | \$35.95    | 22. Seal, rocker arm, 1936-'47 OHV BT 17475-38   | <b>106-3636</b> | \$9.95     |
| 3. Valve seat<br>Intake, 1.940"  | <b>106-2821</b>  | \$41.95    | 23. Rocker arm, non-roller, 1:1 ratio, 1936-'47 OHV BT; KN-Series<br>(Includes shaft kit) Set of four  | <b>106-2412</b> | \$1,102.95 |
| Intake/Exhaust, 1.750"   | <b>106-2822</b>  | \$41.95    | Front Intake w/shaft   | <b>106-2862</b> | \$325.95   |
| 4. Valve guide, intake/exhaust for Stock (see valve guide diameter chart)<br>Standard 18185-40, 18181-36 | <b>106-3637</b>  | \$19.95    | Front Exhaust w/shaft  | <b>106-2863</b> | \$346.95   |
| + .002"  | <b>106-3948</b>  | \$28.95    | Rear Intake w/shaft  | <b>106-2864</b> | \$325.95   |
| + .004"  | <b>106-3638</b>  | \$28.95    | Rear Exhaust w/shaft   | <b>106-2865</b> | \$346.95   |
| + .008"  | <b>106-3639</b>  | \$28.95    | 24. Shaft, set, rocker arm, 1936-'47 OHV BT; KN Series<br>(Set of four, Includes spacers and hardware) | <b>106-2413</b> | \$371.95   |
| Valve guide, intake/exhaust for S&S KN-Series<br>Standard  | <b>900-0526</b>  | \$31.95    | 25. Nut kit, rocker arm 7831   | <b>106-3632</b> | \$6.95     |
| + .002"  | <b>900-0527</b>  | \$26.95    | 26. Adaptor, Manifold, conversion, plumber to o-ring   | <b>106-4654</b> | \$42.95    |
| + .004"  | <b>900-0528</b>  | \$26.95    | 27. O-ring, manifold 27060-55 each   | <b>50-8046</b>  | \$5.95     |
| + .008"  | <b>900-0529</b>  | \$26.95    | 10 pack  | <b>50-8132</b>  | \$41.95    |
| 5. Gasket, lower valve cover (tin), 1936-'47 OHV BT  | <b>900-0668</b>  | \$6.95     | 28. Gasket, set, head, KN-Series, Copper<br>3 5/8" bore (each)   | <b>106-2681</b> | \$31.95    |
| 6. Cover, kit, bottom, valve spring, (tins), black anodized,<br>(includes screws) 1938-'47 BT KN-Series  | <b>900-0674</b>  | \$839.95   | 2 pack   | <b>106-2432</b> | \$62.95    |
| NOTE - bottom tins will not fit stock upper tins.  |                  |            | 3 7/16" bore   | <b>106-2689</b> | \$62.95    |
| 7. Screw, valve spring cover 3477  | <b>106-3634</b>  | \$2.95     | 29. Oil line, Return 1936-'47 OHV BT (S&S Tins Only)<br>Kit of 4                                       | <b>106-4446</b> | \$153.95   |
| NOTE - Valve spring components below are not interchangeable with<br>stock and must be used together.    |                  |            | Front Intake   | <b>106-4447</b> | \$45.95    |
| 8. Bottom collar, valve spring   | <b>900-0670</b>  | \$11.95    | Front Exhaust  | <b>106-4448</b> | \$40.95    |
| 9. Shim, valve spring .015"  | <b>106-4549</b>  | \$3.95     | Rear Intake  | <b>106-4449</b> | \$45.95    |
| 10. Spring, kit, valve, dual, .421"  | <b>106-4362</b>  | \$62.95    | Rear Exhaust   | <b>106-4450</b> | \$40.95    |
| Springs only, 1936-'47 OHV BT  | <b>900-0535</b>  | \$197.95   | 30. Seal, Oil Return Line, FHP tins only<br>28" OD x .18" ID x 1", Rubber Hose                         | <b>106-4456</b> | \$9.95     |
| 11. Top collar, valve spring   | <b>106-3828</b>  | \$13.95    | 31. O-ring   | <b>900-0669</b> | \$31.95    |
| 12. Keepers, valve spring, top collar  | <b>90-2037-5</b> | \$3.95     | 32. Oil supply fitting, Cad Plated 17325-42  | <b>106-4618</b> | \$13.95    |
| 8 Pack   | <b>50-7165</b>   | \$28.95    | 33. Oil return fittings, Parkerized 17320-38   | <b>106-4619</b> | \$11.95    |
| 13. Cover, kit, top, valve spring, (tins) 1938-'47 BT; KN-Series<br>Chrome                               | <b>106-2400±</b> | \$259.95   | 34. Washer, Lock, .385" x .680" x .094", Zinc  | <b>50-7052</b>  | \$2.95     |
| Gloss Black Powder coat  | <b>106-2893</b>  | \$209.95   | 35. Nut, Jam, 7/16-20, Zinc  | <b>106-4356</b> | \$2.95     |
| NOTE - top tins will not fit stock bottom tins.  |                  |            | 36. Washer, Thrust, Stepped, .015" 17465-36  | <b>106-4352</b> | \$11.95    |
| 14. Gasket, kit, valve spring cover, top, S&S only   | <b>106-3166</b>  | \$136.95   | 37. Washer, Thrust, Stepped, .060"   | <b>106-4883</b> | \$17.95    |
| 15. Nut, rocker shaft, with o-ring, chrome 1936-'47 OHV BT<br>17447-36 each                              | <b>106-4355±</b> | \$26.95    | <b>Parts Not Shown:</b>  |                 |            |
| 16. O-ring, (-017), .676" ID x .816" OD, Black   | <b>50-0466</b>   | \$2.95     | 38. Manifold, kit, o-ring, 1 7/8", VOES, KN93  | <b>106-4530</b> | \$157.95   |
| 17. Housing, rocker arm, (knuckles), 1936-'47 OHV BT<br>Set, Polished                                    | <b>900-0617</b>  | \$577.95   | 39. Gasket, kit, engine, KN-Series, with hardware  | <b>106-2414</b> | \$272.95   |
| Front, Polished  | <b>900-0618</b>  | \$314.95   | 40. Pushrod, set, non-adjustable, KN93, steel<br>1936-'47 OHV BT                                       | <b>930-0009</b> | \$178.95   |
| Rear, Polished   | <b>900-0619</b>  | \$314.95   | 41. Cover keeper, kit, pushrod,<br>KN93 17949-40, 17950-66   | <b>93-4106</b>  | \$31.95    |
| Set, As Cast   | <b>900-0622</b>  | \$409.95   | 42. Oil line, supply, "Y" feed, 1936-'47 OHV BT<br>Stock 74", KN74, KN93, S&S/Stock Carb.              | <b>106-4670</b> | \$83.95    |
| Front, As Cast   | <b>900-0623</b>  | \$225.95   | 43. Bottom collar spacer - required when using S&S valve springs<br>with stock steel "tins"            | <b>106-5094</b> | \$13.95    |
| Rear, As Cast  | <b>900-0624</b>  | \$225.95   | 44. Rocker arm cover gasket kit, 1936-'47 big twin   | <b>900-0493</b> | \$178.95   |
| 18. Screw, HHCS, 3/8-16 x 1" - Cadmium plated  | <b>106-4597</b>  | \$6.95     |  |                 |            |
| 19. Screw, HHCS, 3/8-16 x 1 1/2" - Cadmium plated  | <b>106-4598</b>  | \$6.95     |  |                 |            |



**VALVE GUIDE DIAMETERS FOR S&S KN SERIES ENGINES AND 1936-'47 OHV BIG TWIN**

Oversize	Diameter	Part Number	MSRP
Std.	.6442/.6439	<b>900-0526</b>	\$31.95
+.002	.6462/.6459	<b>900-0527</b>	\$26.95
+.004	.6482/.6479	<b>900-0528</b>	\$26.95
+.008	.6522/.6519	<b>900-0529</b>	\$26.95

Milwaukee  
Eight  
2007-2017  
Twin Cam  
96"/103"/110"  
1999-2006  
Twin Cam 88"  
1986-2019  
Sportster® & Buell®  
2014-2019  
Street &  
Street Rod™  
1984-1999  
Evolution®  
1926-1984  
Vintage Engines  
Indian® &  
Victory® Models  
Tools  
& Shop Supplies  
Apparel  
Warranty &  
Company Policy  
Appendix  
& Index

# BILLET ROCKER COVER REPLACEMENT PARTS FOR 1966–'84 BIG TWIN ENGINES

- |     |  |                   |          |
|-----|--|-------------------|----------|
| 1.  | Rocker cover, assembly front                     | N/A               |          |
| 2.  | Rocker cover, assembly rear                      | N/A               |          |
| 3.  | Screw, SHS                                       | <b>50-0294-S</b>  | \$0.95   |
| 4.  | Nut, HFH 5/16" UNC                               | <b>50-8187-S</b>  | \$5.95   |
| 5.  | Screw, SHS                                       | <b>50-0318-S</b>  | \$0.95   |
| 6.  | O-ring, Viton® -019 each                         | <b>50-7962-S</b>  | \$2.95   |
| 7.  | O-ring, Viton 1.00 mm CS x 14.00mm               | <b>50-7963-S</b>  | \$2.95   |
| 8.  | O-ring, front, Viton 1.00mm CS x 9.50mm ID       | <b>50-7965-S</b>  | \$2.95   |
|     | O-ring, rear, Viton 1.00mm CS x 11.00mm ID       |                   |          |
|     | 10 pack  | <b>50-7966</b>    | \$13.95  |
| 9.  | O-ring, Viton -160                               | <b>50-7961-S</b>  | \$5.95   |
| 10. | Rocker shaft set (For S&S rocker covers only.)   |                   |          |
|     | Set  | <b>90-4351</b>    | \$97.95  |
|     | Individual                                       | <b>90-4350</b>    | \$27.95  |
| 11. | Plug, rocker arm shaft (4 pack)                  | <b>50-8340</b>    | \$83.95  |
| 12. | Roller Rocker arm 1966-'84 big twin              |                   |          |
|     | Set  | <b>900-4320A</b>  | \$546.95 |
|     | Front 17375-66A                                  | <b>900-4320FA</b> | \$167.95 |
|     | Rear 17360-66A                                   | <b>900-4320RA</b> | \$167.95 |
| 13. | Dowel pin, .187" x .635", Steel                  | <b>50-8031</b>    | \$2.95   |
|     | 10 pack  | <b>50-1015</b>    | \$10.95  |
| 14. | Gasket kit, S&S billet rocker covers (Not Shown) | <b>90-4311</b>    | \$41.95  |
| 15. | Plug, SH pipe - 1/8-27                           | <b>50-8331A</b>   | \$2.95   |
|     | 10 pack  | <b>50-1015</b>    | \$10.95  |

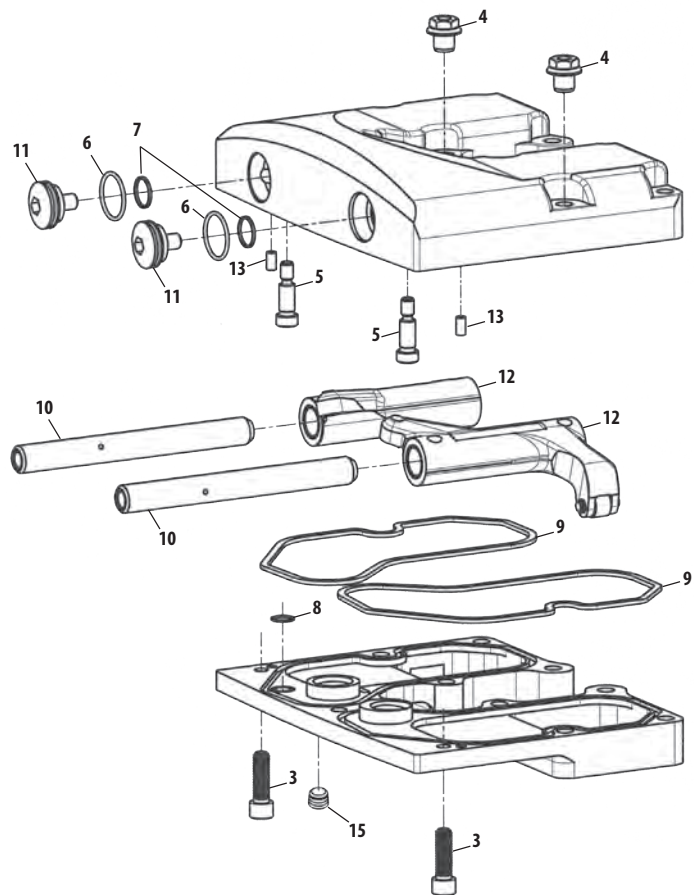
## ROCKER SHAFT AND OIL LINE SEALS

### Rocker Shaft Seal

S&S SH-Series and 1966-'84 bt with stock rocker covers (N/S) ... **50-8073-S** \$2.95

Oil Line Seal – S&S SH-Series and 1966-'84 bt using outside oil lines (N/S)  
..... **50-8074-S** \$4.95

**(N/S) = Not Shown**



## NOTE

Since top cover and base are machined together, replacements are only sold as assemblies to prevent mismatch of polished surfaces.

All reference to HD® part numbers is for identification purposes only. We in no way are implying that any of S&S Cycle's products are original equipment parts or that they are equivalent to the corresponding HD® part number shown.

# SUPER B CARBURETOR REPLACEMENT PARTS

- |   |                  |          |
|---|------------------|----------|
| 1. Throttle return spring .....                   | <b>11-2082</b>   | \$3.95   |
| 2. Throttle plate screw                           |                  |          |
| 11-2045 each .....                                | <b>50-0055-S</b> | \$2.95   |
| 10 pack .....                                     | <b>50-0064</b>   | \$9.95   |
| 3. Throttle shaft                                 |                  |          |
| Comes with two throttle plate screws.....         | <b>11-2083</b>   | \$20.95  |
| 4. Throttle shaft bushing                         |                  |          |
| (For repair only) .....                           | <b>11-2134</b>   | \$5.95   |
| 5. Enrichment device.....                         | <b>11-2084±</b>  | \$26.95  |
| 6. Carb body.....                                 | <b>11-2081±</b>  | \$419.95 |
| 7. Idle mixture screw each.....                   | <b>11-2354</b>   | \$9.95   |
| 5 pack.....                                       | <b>11-2378</b>   | \$41.95  |
| 8. Idle mixture screw spring each.....            | <b>11-2052</b>   | \$0.95   |
| 10 Pack .....                                     | <b>11-2060</b>   | \$7.95   |
| 9. O-ring – 1 7/8" 16-0056.....                   | <b>50-8013</b>   | \$2.95   |
| 10. Throttle plate – 1 7/8".....                  | <b>11-2055</b>   | \$11.95  |
| 11. Throttle arm assemble two cable type          |                  |          |
| (includes #25,26,27,28) .....                     | <b>11-2148</b>   | \$89.95  |
| 12. Intermediate jet – See chart on page 469      |                  |          |
| 13. Main discharge tube.....                      | <b>11-2085±</b>  | \$12.95  |
| 14. Main jet – See chart See chart on page 470    |                  |          |
| 15. Bowl gasket each.....                         | <b>11-2086</b>   | \$3.95   |
| 10 pack .....                                     | <b>11-2091</b>   | \$21.95  |
| 16. Float   |                  |          |
| Wire type .....                                   | <b>11-2187</b>   | \$21.95  |
| Forked type .....                                 | <b>N/A</b>       |          |
| 17. Float retaining pin .....                     | <b>11-2069</b>   | \$11.95  |
| 18. Bowl  |                  |          |
| For wire type float .....                         | <b>11-2188</b>   | \$155.95 |
| For forked type float .....                       | <b>N/A</b>       |          |
| 19. Needle  |                  |          |
| For wire type float .....                         | <b>11-2195±</b>  | \$13.95  |
| For forked type.....                              | <b>11-2095</b>   | \$25.95  |
| 20. Seat – For wire or forked type float.....     | <b>11-2065</b>   | \$12.95  |
| 21. Bowl plug each .....                          | <b>11-2090</b>   | \$3.95   |
| 5 pack.....                                       | <b>11-2092±</b>  | \$12.95  |
| 22. Bowl screw each .....                         | <b>50-0034</b>   | \$2.95   |
| 10 Pack .....                                     | <b>50-0063</b>   | \$14.95  |
| 23. Spacer,Kit,Carb,1-7/8" x 1"                   |                  |          |
| Spacer,Kit,Carb,2-1/16" x 1".....                 | <b>16-0057*</b>  | \$59.95  |
| Spacer,Kit,Carb,2-1/4" x 1".....                  | <b>16-0357*</b>  | \$72.95  |
| Spacer,Kit,Carb,2-1/4" x 1".....                  | <b>16-0157*</b>  | \$69.95  |
| 24. Screw,  |                  |          |
| 1" x 3/8" -16 .....                               | <b>50-0161</b>   | \$0.95   |
| 1 1/4" x 3/8" -16 .....                           | <b>50-0162</b>   | \$2.95   |
| 10 pack.....                                      | <b>50-0177</b>   | \$10.95  |
| 1 3/8" x 3/8" -16 .....                           | <b>50-0163</b>   | \$3.95   |
| 5 pack.....                                       | <b>50-0178</b>   | \$11.95  |
| 2" x 3/8" -16.....                                | <b>50-0164</b>   | \$3.95   |
| 5 pack.....                                       | <b>50-0185</b>   | \$14.95  |
| 25. Spring,Idle/Accelerator Pump,Super B/D/E..... | <b>11-2048</b>   | \$0.95   |
| 26. Screw,SLTD FH,8-32 x 7/8",Zinc,Steel.....     | <b>50-0038</b>   | \$2.95   |
| 10 pack.....                                      | <b>50-0150</b>   | \$8.95   |
| 27. Screw,SLTD FH,8-32 x 5/8",Zinc,Steel.....     | <b>50-0039</b>   | \$2.95   |
| 10 pack.....                                      | <b>50-0146</b>   | \$5.95   |
| 28. Screw,SLTD FH,8-32 x 3/16",Zinc,Steel.....    | <b>50-0030-S</b> | \$0.95   |
| 29. Tube Fast Idle Pickup .125" x 2.350".....     | <b>0381F</b>     | \$5.95   |

## CARBURETOR REBUILD KITS

### Master Rebuild Kit

Super B

(includes #1, 2, 3, 4, 7, 8, 9, 10, 15, 17, 19, 20, 22, 25, 26, 27, & 28)..... **11-2914±** \$83.95

### Body Rebuild Kit

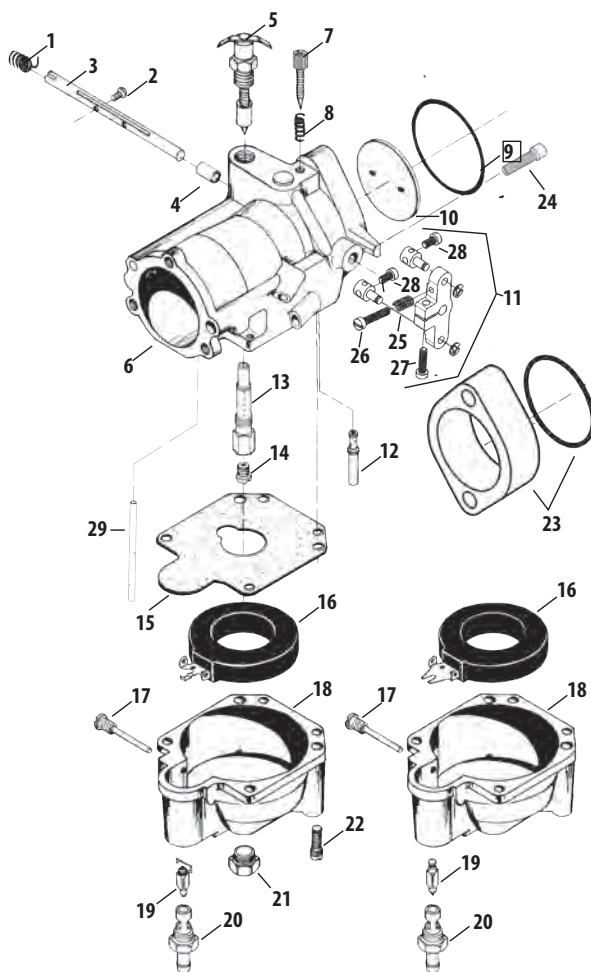
Super A/B

**11-2903±** \$49.95

## CARBURETOR KIT

Fully-assembled carburetor	<b>11-0111</b>	\$734.95
----------------------------	----------------	----------

DISCLAIMER: NOT LEGAL FOR SALE OR USE IN CALIFORNIA ON ANY POLLUTION CONTROLLED MOTOR VEHICLE. Not legal for sale or use on any EPA pollution controlled motor vehicle.





## NOTE

Early Series #94 gas jets were stamped with single digit numbers. Conversions for these numbers are:

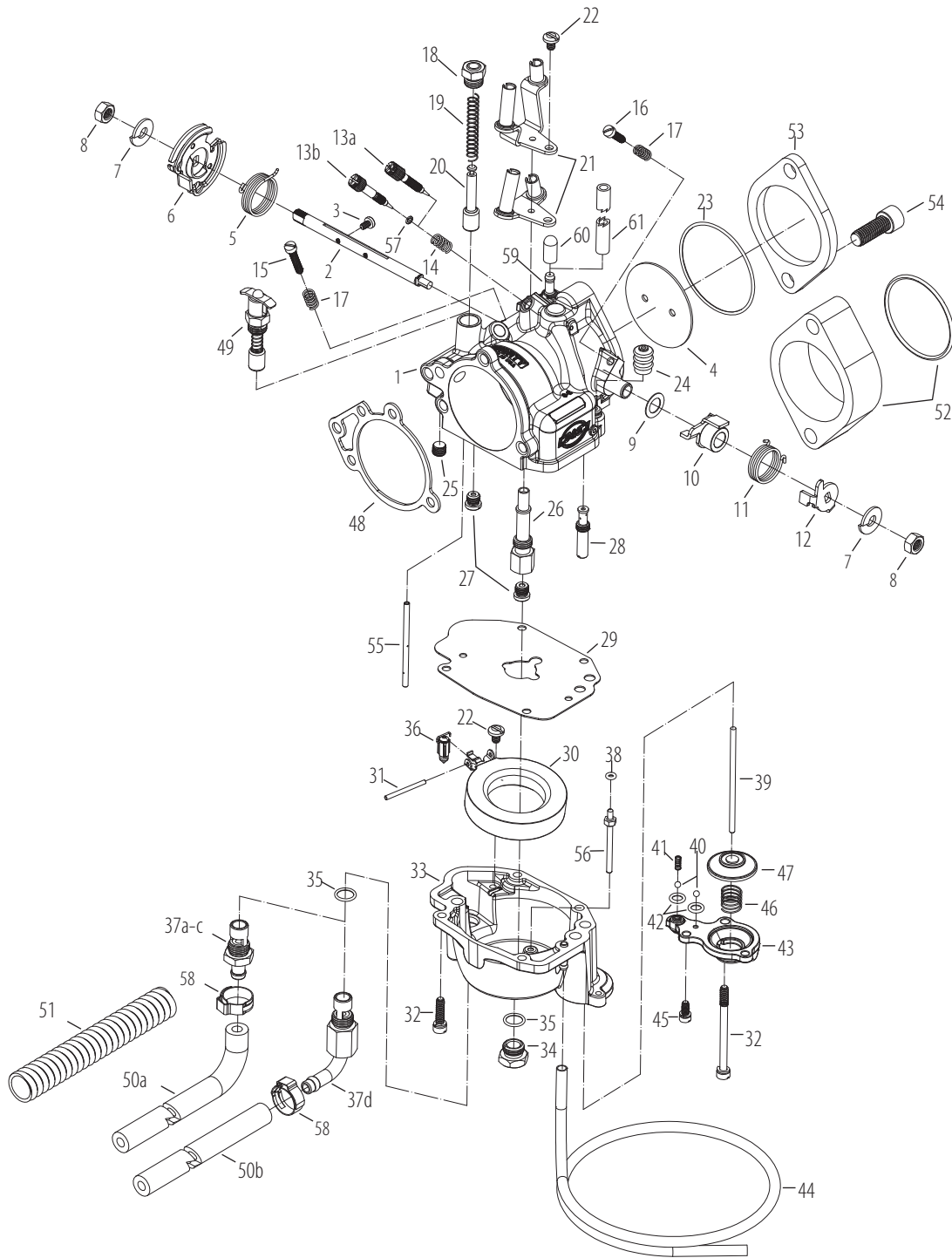
- |   |       |       |
|---|-------|-------|
| 1 | ..... | .025" |
| 2 | ..... | .028" |
| 3 | ..... | .031" |
| 4 | ..... | .033" |
| 5 | ..... | .036" |
| 6 | ..... | .040" |

± WARNING: Cancer and Reproductive Harm – www.P65Warnings.ca.gov

# SUPER E & G CARBURETOR REPLACEMENT PARTS

1. Carb body assembly			
1 7/8" Super E	11-2381 <sup>±</sup>	\$251.95	
2 1/16" Super G	11-2391 <sup>±</sup>	\$262.95	
2. Throttle shaft			
1 7/8" Super E — Includes two plate screws	11-2383	\$24.95	
2 1/16" Super G — Includes two plate screws	11-2483	\$21.95	
3. Throttle plate screw 11-2045- (two required) (each)	50-0055-S	\$2.95	
10 pack	50-0064	\$9.95	
4. Throttle plate			
1 7/8" Super E	11-2055	\$11.95	
2 1/16" Super G	11-2355	\$16.95	
5. Throttle return spring (each)	11-2382	\$2.95	
5 Pack	11-3502	\$7.95	
6. Throttle spool	11-2385	\$17.95	
7. Throttle shaft lock washer (two required)	50-7031	\$2.95	
8. Throttle shaft nut (two required) (each)	11-2350	\$2.95	
5 pack	11-2363	\$7.95	
9. Throttle shaft nylon washer (each)	50-7050	\$2.95	
10 pack	50-7072	\$7.95	
10. Pump actuator lever	11-2376	\$9.95	
11. Actuator spring (each)	11-2375-S	\$2.95	
5 pack	11-3501	\$9.95	
12. Pump actuator arm	11-2377	\$3.95	
13. Idle mixture screw			
a. Idle mixture screw, brass (each)	11-2354 <sup>±</sup>	\$9.95	
5 pack	11-2378 <sup>±</sup>	\$41.95	
b. Idle mixture screw only			
each	110-0003	\$11.95	
Idle mixture screw w/ 500-0036 o-ring		\$55.95	
each	110-0068 <sup>±</sup>	\$12.95	
5 pack	110-0069 <sup>±</sup>	\$55.95	
14. Idle mixture screw spring (each)	11-2052	\$0.95	
10 Pack	11-2060	\$7.95	
15. Idle speed screw (each)	50-0038	\$2.95	
10 Pack	50-0150	\$8.95	
16. Pump adjustment screw (each)	50-0039	\$2.95	
10 Pack	50-0146	\$5.95	
17. Idle speed/pump adjuster spring (each)	11-2048	\$0.95	
10 pack	11-2053	\$7.95	
18. Plunger nut (each)	11-2344 <sup>±</sup>	\$3.95	
5 Pack	11-2372 <sup>±</sup>	\$13.95	
19. Plunger spring (each)	11-2340	\$2.95	
10 Pack	11-2359	\$10.95	
20. Fast idle plunger	11-2343	\$13.95	
21. Cable guide assembly with screw			
Use with butterfly style cables	11-2339P	\$27.95	
Use with constant velocity style cables	11-2338P	\$27.95	
22. Cable clamp/float pin screw (each)	50-0041	\$2.95	
10 Pack	50-0062	\$4.95	
23. O-ring			
1 7/8" Super E (each)	50-8016	\$2.95	
10 Pack	50-8094	\$10.95	
2 1/16" Super G (each)	50-8015	\$2.95	
10 pack	50-8093	\$10.95	
24. Bellows seal (each)	11-2266	\$4.95	
5 Pack	11-2279	\$18.95	
25. Bowl vent plug (each)	50-0105	\$2.95	
10 pack	50-0151	\$6.95	
26. Main discharge tube	11-2085 <sup>±</sup>	\$12.95	
27. Main jet — See Chart on page 470			
28. Intermediate Jets — See Chart on page 469			
Series #94 fits all Super 1 7/8", 2 1/16", 2 1/4" gas carburetors.			
29. Bowl gasket (each)	11-2386	\$3.95	
10 pack	11-2387	\$27.95	
30. Float	11-2187	\$21.95	
31. Float pin (each)	11-2369 <sup>±</sup>	\$2.95	
5 Pack	11-2370 <sup>±</sup>	\$7.95	
32. Bowl screw			
10-24 x 3/4" — Three required (each)	50-0034	\$2.95	
10 Pack	50-0063	\$14.95	
10-24 x 2 3/8" — One required (each)	50-0040	\$2.95	
10 Pack	50-0061	\$9.95	
33. Carb bowl (only)	11-2388	\$78.95	
Carb bowl complete assembly	11-2388P	\$172.95	
34. Bowl plug (each)	11-2090	\$3.95	
5 pack	11-2092 <sup>±</sup>	\$12.95	
35. Seat o-ring* (required with part #11-2465 only when replaces 360° style fuel inlet.)			
each	50-8009	\$2.95	
10 pack	50-8095	\$13.95	
36. Needle			
1 7/8" Super E & 2 1/16" Super G	11-2195 <sup>±</sup>	\$13.95	
Racing only	11-2197 <sup>±</sup>	\$62.95	
37. Seat — Includes O-ring #35			
(Replaces obsolete seats 11-2347 and 11-2348)			
a. 1 7/8" E & 2 1/16" G (Uses part #11-2195 <sup>±</sup> needle)	11-2465	\$13.95	
b. Racing only (Uses part #11-2197 <sup>±</sup> needle)	N/A	—	
c. Racing only — threaded fuel inlet (.6AN .157" ID)			
(Uses part #11-2195 <sup>±</sup> needle)	11-2395	\$33.95	
d. Permeation Compliant fuel inlet seat Super E or G.			
(Uses part #11-2195 <sup>±</sup> needle)	106-2011	\$25.95	
38. Ejector nozzle o-ring (each)	50-8011	\$2.95	
10 Pack	50-8096	\$9.95	
39. Pump pushrod (each)	11-2373	\$6.95	
5 Pack	11-2393	\$25.95	
40. Check ball — (two required) (each)	50-8090	\$2.95	
10 pack	50-8125	\$5.95	
41. Check ball spring (each)	11-2374	\$2.95	
5 Pack	11-2392	\$9.95	
42. Pump cap o-ring — (two required) (each)	50-8012	\$2.95	
10 Pack	50-8100	\$11.95	
43. Pump cap assembly	11-2389	\$27.95	
44. Overflow hose per 24" 27369-76 (each)	19-0262-S	\$5.95	
5 Pack	19-0263	\$26.95	
45. Pump cap screw 8-32 — (two required) (each)	50-0042	\$2.95	
10 Pack	50-0098	\$5.95	
46. Diaphragm spring (each)	11-2275	\$2.95	
10 pack	11-2278	\$7.95	
47. Diaphragm	11-2282	\$15.95	
48. Gasket, backplate (each)	106-1724	\$3.95	
10 pack	106-2328	\$26.95	
49. Enrichment device (Use with air horn only)	11-2084	\$26.95	
50. Fuel line			
a. Fuel line with 90° bend 19" (Use with part #11-2465)			
 190-0006	\$9.95		
b. Permeation Compliant straight, 311" x .563" x 17.5"			
(Use with part #106-2011, 90° seat)	190-0001	\$8.95	
51. Fuel line insulator — 12" 	19-0172	\$28.95	
52. Spacer, Kit, w/ O-ring			
1 7/8" x 1"	16-0057*	\$59.95	
2 1/16" x 1"	16-0357*	\$72.95	
2 1/4" x 1"	16-0157*	\$69.95	
* Use with 1" Spacer Block	16-0058	\$139.95	
53. Insulator Block, Manifold, w/ O-ring			
1 7/8" x 1 1/4" Super E	16-0491	\$28.95	
1 7/8" x 3/8" Super E	16-0497	\$28.95	
2 1/16" x 1/4" Super G	16-0492	\$28.95	
2 1/16" x 3/8" Super G	16-0498	\$28.95	
2 1/4" x 1/4" Super D	16-0499	\$41.95	
54. Screw			
1" x 3/8" — 16 (each)	50-0161	\$0.95	
1 1/4" x 3/8" — 16 (each)	50-0162	\$2.95	





10 pack .....	<b>50-0177</b>	\$10.95
1 3/8" x 3/8" -16 (each) .....	<b>50-0163</b>	\$3.95
5 pack .....	<b>50-0178</b>	\$11.95
2" x 3/8" -16 (each) .....	<b>50-0164</b>	\$3.95
5 pack .....	<b>50-0185</b>	\$14.95
<b>55.</b> Tube, Fast Idle Pick-Up, Super E/G, .125" x 2.350", Brass .....	<b>0381F</b> ±	\$5.95
<b>56.</b> Tube, Ejector Nozzle, Super E/G, Flared, Brass .....	<b>106-6124</b> ±	\$9.95
<b>57.</b> O-ring, 3mm x 5mm x 1mm (each) .....	<b>500-0036</b>	\$2.95
10 pack .....	<b>500-0148</b>	\$7.95
<b>58.</b> Clamp, 5/8" - 7/8" .....	<b>50-8002</b>	\$2.95
<b>59.</b> Hose, Fitting straight, .040" .....	<b>16-0134</b>	\$3.95
<b>60.</b> VOES Fitting Cap .....	<b>50-8372</b>	\$2.95
<b>61.</b> VOES/Oil Return Hose .....	<b>19-0395</b>	\$3.95

± WARNING: Cancer and Reproductive Harm – www.P65Warnings.ca.gov

**CARBURETOR REBUILD KITS**  
SEE PAGE 470

# L-SERIES MGL & MGAL GAS CARBURETOR REPLACEMENT PARTS

1. Carb body assembly - MGL & MGAL 1 7/8" .....	N/A	
2. Throttle shaft (includes 2 ea. #50-0055-S) .....	11-2083	\$20.95
3. Choke/throttle plate screw .....	50-0055-S	\$2.95
10 pack .....	50-0064	\$9.95
4. Throttle plate - 1 7/8" .....	11-2055	\$11.95
5. Throttle return spring .....	11-2082	\$3.95
6. Throttle arm assembly, 1 cable .....	N/A	
7. Intermediate plug .....	N/A	
9. Choke lever washer .....	N/A	
13. Idle mixture screw .....	11-2354	\$9.95
5 pack .....	11-2378	\$41.95
14. Idle mixture screw spring .....	11-2052	\$0.95
10 pack .....	11-2060	\$7.95
18. Choke lever screw .....	N/A	
19. Choke lever spring .....	N/A	
20. Choke plate .....	N/A	
23. O-ring - 1 7/8" .....	50-8013	\$2.95
26. Main discharge tube .....	N/A	
27. Main jet - state size - see page 470		
28. Intermediate jet .....	N/A	
29. Bowl gasket .....	11-2070	\$3.95
30. Float - forked type or original brass type .....	N/A	
31. Float retaining pin .....	11-2069	\$11.95
32. Bowl screw - 10-24 x 3/4" .....	50-0032	\$0.95
33. Carb bowl assembly		
Original type .....	N/A	
Forked type .....	N/A	
34. Bottom plug .....	N/A	
36. Needle - forked type .....	11-2095	\$25.95
37. Seat - forked/wire type .....	11-2065	\$12.95
51. Choke shaft assembly .....	N/A	
52. Throttle shaft bushing - for repair only .....	11-2134	\$5.95
54. Lockwasher - #10 .....	50-7000	\$0.95
55. Intermediate air bleed .....	N/A	
56. Spring, Idle/Accelerator Pump, Super B/D/E .....	11-2048	\$0.95
10 pack .....	11-2053	\$7.95
57. Screw, SLTD FH, 8-32 x 7/8", Zinc, Steel .....	50-0038	\$2.95
10 pack .....	50-0150	\$8.95
58. Screw, SLTD FH, 8-32 x 5/8", Zinc, Steel .....	50-0039	\$2.95
10 pack .....	50-0146	\$5.95
59. Screw, SLTD FH, 8-32 x 3/16", Zinc, Steel .....	50-0030-S	\$0.95

## CARBURETOR REBUILD KITS

### Body Rebuild Kit

MGL (includes: #2, 3, 4, 5, 23, 29, 52) .....	11-2906±	\$45.95
MGAL (includes: #2, 3, 4, 5, 23, 29, 52) .....	11-2900±	\$39.95

### Master Rebuild Kit

MGL (includes: #2, 3, 4, 5, 13, 14, 23, 29, 31, 36, 37, 52, 56) .....	11-2913±	\$73.95
MGAL (includes: #2, 3, 4, 5, 13, 14, 23, 29, 31, 32, 52, 53, 54, 56, 57, 58, 59) ..	11-2911±	\$45.95

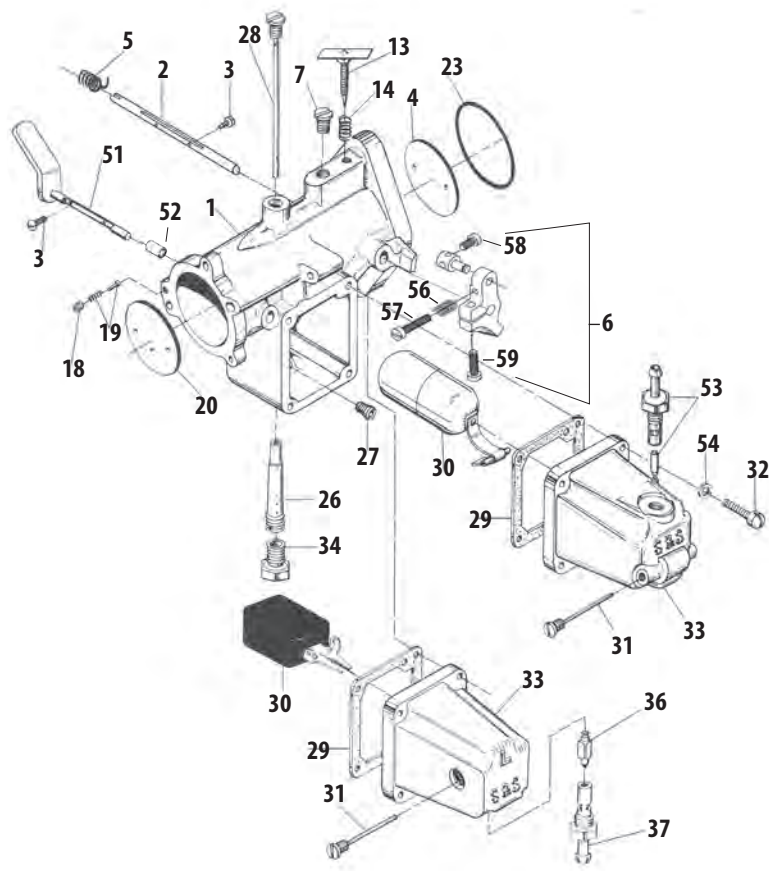
N/A = NO LONGER AVAILABLE

N/S = NOT SHOWN

±  WARNING: Cancer and Reproductive Harm — www.P65Warnings.ca.gov

## NOTE

When ordering parts, please supply the carb serial number. To order a manifold or air cleaner assembly or any related parts, refer to the Manifold or Air Cleaner sections of this catalog.



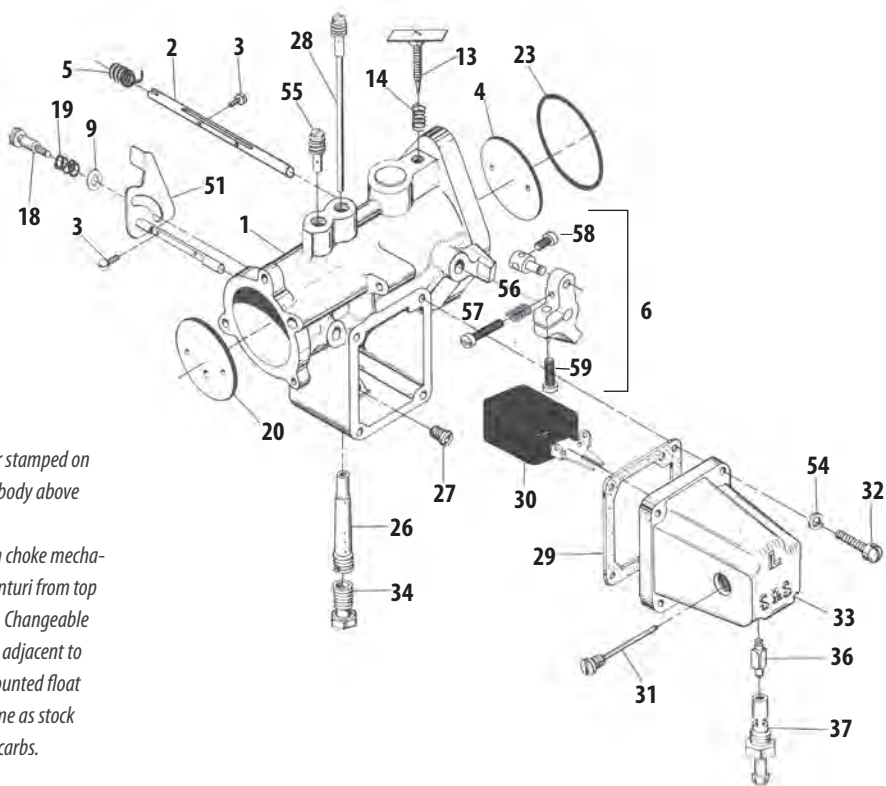
**L-Series MGAL Gas Carburetor**

Years Produced: 1977 to 1978

Size Produced: 1 7/8" throat

Identification Markings: Serial number stamped on body below "S&S Cycle" - "MGAL" cast on body above "S&S Cycle"

Distinguishing Characteristics: Built-in choke mechanism – intermediate jet goes through venturi from top of carb down into main discharge tube. Side mounted float bowl – bowl vent/throttle cable housing boss cast on body above float bowl. Air cleaner mounting pattern same as stock Tillotson, Bendix, Keihin butterfly type carbs.



**L-Series MGL Gas Carburetor**

Years Produced: 1980 to 1981

Size Produced: 1 7/8" throat

Identification Markings: Serial number stamped on body below "S&S Cycle" - "MG" cast on body above "S&S Cycle"

Distinguishing Characteristics: Built-in choke mechanism. Intermediate jet goes through venturi from top of carb down into main discharge tube. Changeable intermediate air bleed screws into boss adjacent to intermediate jet on top of carb. Side mounted float bowl. Air cleaner mounting pattern same as stock Tillotson, Bendix, Keihin butterfly type carbs.

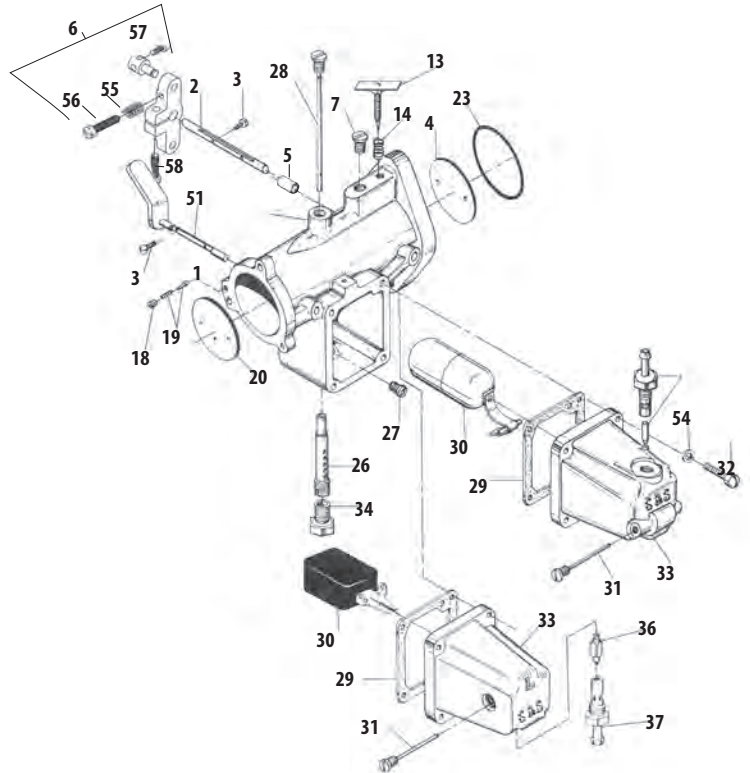
# L-SERIES GAL & GBL GAS CARBURETOR REPLACEMENT PARTS

1.	Carb body assembly - GAL 1 $\frac{7}{8}$ " or GBL 1 $\frac{3}{4}$ "	N/A	
2.	Throttle shaft (includes 2 ea. #11-2045)	11-2083	\$20.95
3.	Choke/throttle plate screw	50-0055-S	\$2.95
	10 pack	50-0064	\$9.95
4.	Throttle plate		
	1 $\frac{7}{8}$ " (GAL)	11-2055	\$11.95
	1 $\frac{3}{4}$ " (GBL)	11-2023	\$10.95
5.	Throttle shaft bushing - for repair only	11-2134	\$5.95
6.	Throttle arm assembly, 1 cable, reversible	N/A	
7.	Intermediate plug	N/A	
13.	Idle mixture screw	11-2354	\$9.95
	5 pack	11-2378	\$41.95
14.	Idle mixture screw spring	11-2052	\$0.95
	10 pack	11-2060	\$7.95
18.	Choke detent screw	N/A	
19.	Choke detent pin & spring	N/A	
20.	Choke plate	N/A	
23.	O-ring - 1 $\frac{7}{8}$ "	50-8013	\$2.95
26.	Main discharge tube	N/A	
27.	Main jet - state size - see page 470		
28.	Intermediate jet	N/A	
29.	Bowl gasket	11-2070	\$3.95
30.	Float - forked type or original brass type	N/A	
31.	Float retaining pin	11-2069	\$11.95
32.	Bowl screw - 10-24 x $\frac{3}{4}$ "	50-0032	\$0.95
33.	Carb bowl assembly		
	Original type	N/A	
	Forked type	N/A	
34.	Bottom plug	N/A	
36.	Needle - forked type	11-2095	\$25.95
37.	Seat - forked/wire type	11-2065	\$12.95
51.	Choke shaft assembly	N/A	
54.	Lock washer - #10	50-7000	\$0.95
55.	Spring, Idle/Accelerator Pump, Super B/D/E	11-2048	\$0.95
	10 pack	11-2053	\$7.95
56.	Screw, SLTD FH, 8-32 x $\frac{7}{8}$ ", Zinc, Steel	50-0038	\$2.95
	10 pack	50-0150	\$8.95
57.	Screw, SLTD FH, 8-32 x $\frac{5}{8}$ ", Zinc, Steel	50-0039	\$2.95
	10 pack	50-0146	\$5.95
58.	Screw, SLTD FH, 8-32 x $\frac{3}{16}$ ", Zinc, Steel	50-0030-S	\$0.95

## CARBURETOR REBUILD KITS

Body Rebuild Kit			
GAL 1 $\frac{7}{8}$ " (includes: #2,3,4,5,23,29,52)	11-2900±	\$39.95	
Master Rebuild Kit			
GAL 1 $\frac{7}{8}$ "			
(includes #3,4,13,14,23,29,31,32,52,53,54,55,56,57,58)	11-2911±	\$45.95	
GBL 1 $\frac{3}{4}$ " (includes #3,4,13,14,23,29,31,32,52,53,54,55,56,57,58)	11-2912±	\$45.95	

N/A = NO LONGER AVAILABLE  
N/S = NOT SHOWN



### L-Series GAL & GBL Gas Carburetors

Years Produced: 1972 to 1975

Sizes Produced: 1 $\frac{3}{4}$ " and 1 $\frac{7}{8}$ " throats

Identification Markings: serial number stamped on body below "S&S Cycle"  
- "GAL" means gas type with 1 $\frac{7}{8}$ " throat, late style - "GBL" means gas with 1 $\frac{3}{4}$ " throat, late style

Distinguishing Characteristics: Built-in choke mechanism. Intermediate jet goes through venturi from top of carb down into main discharge tube. Side mounted float bowl. Air cleaner mounting pattern same as stock Tillotson, Bendix, Keihin butterfly type carbs

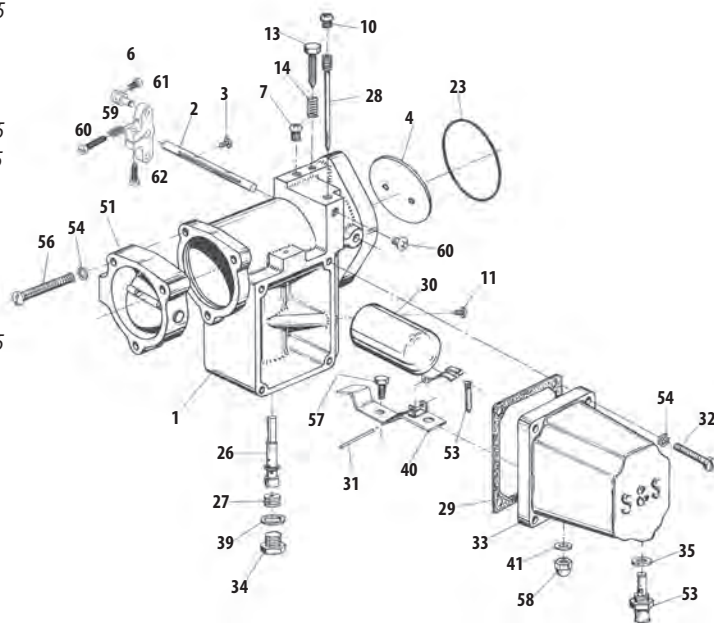
## NOTE

When ordering parts, please supply the carb serial number. To order a manifold or air cleaner assembly or any related parts, refer to the Manifold or Air Cleaner sections of this catalog.

± ⚠ WARNING: Cancer and Reproductive Harm — www.P65Warnings.ca.gov

# EARLY STYLE GAS & FUEL CARBURETOR REPLACEMENT PARTS

1. Carb body assembly - F, FA 1 7/8", FB 1 3/4" fuel & G, GA 1 7/8", GB 1 3/4" gas.....	N/A	
2. Throttle shaft (includes 2 ea. #11-2045)		
Gas.....	<b>11-2083</b>	\$20.95
Fuel.....	<b>11-2184</b>	\$54.95
3. Throttle plate screw.....	<b>50-0055-S</b>	\$2.95
10 pack.....	<b>50-0064</b>	\$9.95
4. Throttle plate		
1 3/4" gas & fuel.....	<b>11-2023</b>	\$10.95
1 7/8" gas.....	<b>11-2055</b>	\$11.95
6. Throttle arm assembly, 1 cable reversible.....	N/A	
7. Intermediate plug.....	N/A	
10. Intermediate jet plug.....	N/A	
11. Intermediate passage plug.....	N/A	
13. Idle mixture screw.....	<b>11-2354</b>	\$9.95
5 pack.....	<b>11-2378</b>	\$41.95
14. Idle mixture screw spring.....	<b>11-2052</b>	\$0.95
10 pack.....	<b>11-2060</b>	\$7.95
23. O-ring - 1 3/4" or 1 7/8".....	<b>50-8013</b>	\$2.95
26. Main discharge tube.....	N/A	
27. Main jet - gas or fuel.....	N/A	
28. Intermediate jet.....	N/A	
29. Bowl gasket.....	<b>11-2070</b>	\$3.95
30. Float.....	N/A	
31. Float pin.....	N/A	
32. Bowl screw - 10-24 x 3/4".....	<b>50-0032</b>	\$0.95
33. Carb bowl assembly.....	N/A	
34. Bottom plug.....	N/A	
35. Seat o-ring.....	N/A	
39. Fiber washer.....	N/A	
40. Float mounting bracket.....	N/A	
41. Washer - 1/4".....	N/A	
51. Choke assembly.....	N/A	
52. Throttle shaft bushing - for repair only N/S.....	<b>11-2134</b>	\$5.95
53. Needle & seat assembly		
Fuel.....	N/A	
54. Lockwasher - #10.....	<b>50-7000</b>	\$0.95
55. Intermediate air bleed.....	N/A	
56. Air horn/choke mounting screw.....	N/A	
57. Float bracket bolt - 1/4-28 x 1/2".....	N/A	
58. Nut - 1/4-28.....	N/A	
59. Spring, Idle/Accelerator Pump, Super B/D/E.....	<b>11-2048</b>	\$0.95
10 pack.....	<b>11-2053</b>	\$7.95
60. Screw, SLTD FH, 8-32 x 7/8", Zinc, Steel.....	<b>50-0038</b>	\$2.95
10 pack.....	<b>50-0150</b>	\$8.95
61. Screw, SLTD FH, 8-32 x 5/8", Zinc, Steel.....	<b>50-0039</b>	\$2.95
10 pack.....	<b>50-0146</b>	\$5.95
62. Screw, SLTD FH, 8-32 x 5/8", Zinc, Steel.....	<b>50-0030-S</b>	\$0.95



### Early Style Gas & Fuel CarburetorS

Years Produced: Gas 1967 to 1971, Fuel 1967 to 1974

Sized Produced: 1 7/8" and 1 3/4" throats

Identification markings: Serial number stamped on body below "S&S Cycle" - "G" or "GA" means gas type with 1 7/8" throat - "GB" means gas with 1 3/4" throat - "F" or "FA" means fuel with 1 7/8" throat - "FB" means fuel with 1 3/4" throat.

NOTE - Some 1 3/4" carbs were bored out to 1 7/8".

Distinguishing Characteristics: Bolt-on choke assembly, gas type only. Side mounted float bowl. Air cleaner/air horn mounting pattern different from stock.

### CARBURETOR REBUILD KITS

#### Body Rebuild Kit

G/GA (includes: #3, 4, 23, 29, 52).....	<b>11-2900±</b>	\$39.95
---	-----------------	---------

N/A = NO LONGER AVAILABLE

N/S = NOT SHOWN

± WARNING: Cancer and Reproductive Harm - www.P65Warnings.ca.gov

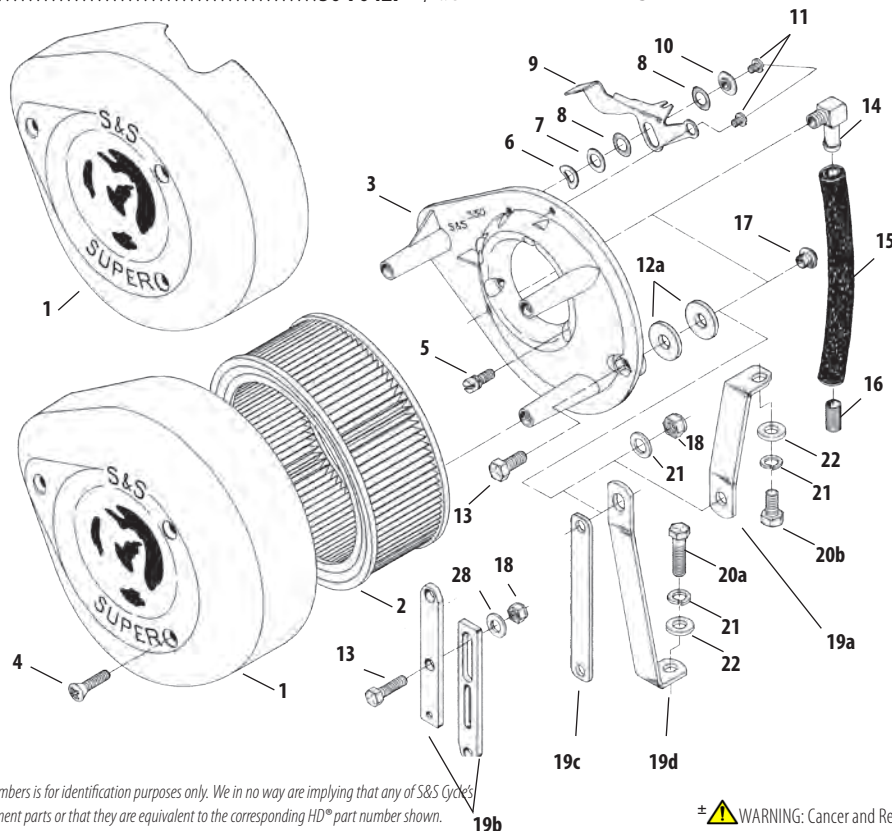
## NOTE

Some fuel carbs have been converted and are equipped with two float bowls. When ordering parts, please supply the carb serial number. To order a manifold or air cleaner assembly or any related parts, refer to the Manifold or Air Cleaner sections of this catalog.

# SUPER E & G AIR CLEANERS REPLACEMENT PARTS FOR 1936-'84 BIG TWINS & 1957-'85 SPORTSTER® MODELS

1. Air cleaner cover – All (Except shovelhead w/5 gallon tanks & cylinders +.075")			
Chrome	17-0378±	\$158.95	
Gloss Black	170-0384A	\$158.95	
Slasher	17-0004±	\$158.95	
Shovelhead w/5 gallon tanks & cylinders +.075"	17-0372±	\$158.95	
2. Element, pleated	106-4722	\$23.95	
Element, pleated carbon	17-0375	\$52.95	
3. Backplate			
BT 1936-'84	17-0330	\$104.95	
4. Cover screw			
Nickel 1305 (each)	50-0072	\$2.95	
3 pack	50-1052	\$3.95	
10 pack	50-0094	\$8.95	
Black 902 (each)	50-0310-S	\$4.95	
3 pack	50-0310	\$10.95	
Chrome (each)	50-0347-S±	\$2.95	
5. Backplate screw			
Zinc Plated (each)	106-2084	\$2.95	
10 pack	106-2105	\$7.95	
6. Fast idle friction washer (each)	50-7035	\$2.95	
10 pack	50-7058	\$6.95	
7. Fast idle steel washer (each)	50-7037	\$2.95	
10 pack	50-7061	\$3.95	
8. Fast idle nylon washer (each)	50-7036	\$2.95	
10 pack	50-7060	\$3.95	
9. Fast idle lever	USA 1,2,3 17-0329	\$9.95	
10. Fast idle brass washer (each)	50-7007±	\$2.95	
10 pack	50-7010±	\$12.95	
11. Fast idle lever screw (one required for current backplate) (each)	50-0041	\$2.95	
10 Pack	50-0062	\$4.95	
12. Shims 5/16" x .125" (Use on BT 1936-'84 when insulator block is installed.)			
each	50-7042	\$2.95	
2 pack	50-7042P	\$4.95	
13. Backplate mounting bolt – BT 1936-'84 5/16"-18 x 1" (each)	50-0108	\$2.95	
5/16"-24 x 3/4" (Obsolete)	N/A		
14. Elbow fitting (each)	50-8110	\$20.95	
15. Crankcase breather hose			
a. BT 1978-'92	17-0113	\$2.95	
16. Vent hose connector	50-8111	\$2.95	
17. Backplate plug 1/8"-27 (each)	50-8331A	\$2.95	
10 pack	50-1015	\$10.95	
18. Locknut – 5/16"-1 (Use with support bracket - see #19)	50-5021	\$0.95	
19. Support bracket			
a. BT 1966-'82	17-0392	\$10.95	
b. BT 1983-'84 (includes #13, 18, 28)	16-0471	\$21.95	
c. BT 1948-'65	16-0096	\$8.95	
d. XL 1957-'85	17-0393	\$20.95	
20. Mounting bracket bolt – big twin			
a. IH XL 1957-'85 – 5/16"-18 x 1 1/4" (each)	50-0110	\$0.95	
b. 1966-'82 – 5/16"-18 x 3/8" (each)	50-0106	\$2.95	
21. Lockwasher – 5/16"	50-7032	\$0.95	
22. Flatwasher – 5/16" x 1/8"	50-7033	\$0.95	
23. Wire tie (N/S)	50-8003	\$2.95	
24. Hose clamp (N/S)	50-8002	\$2.95	
25. Air cleaner assembly Includes: Chrome cover, backplate, filter element, and hardware kit.)			
BT 1936-'84/1957-'85 XL	17-0400±	\$273.95	
BT 1966-'84 with five gallon tanks and cylinders .075" longer than stock	17-0440±	\$273.95	
26. Mounting hardware package (N/S) Includes all parts needed to install following style air cleaners:			
BT 1936-'84	17-0441±	\$18.95	
27. Spring clamps (N/S)	50-8001	\$0.95	
28. Washer, Flat, 3/4" x .688" x .065", Zinc, Steel 6320, 70907-07, 6016, 6702	50-7034	\$0.95	

(N/S) = Not Shown  
N/A= No longer available

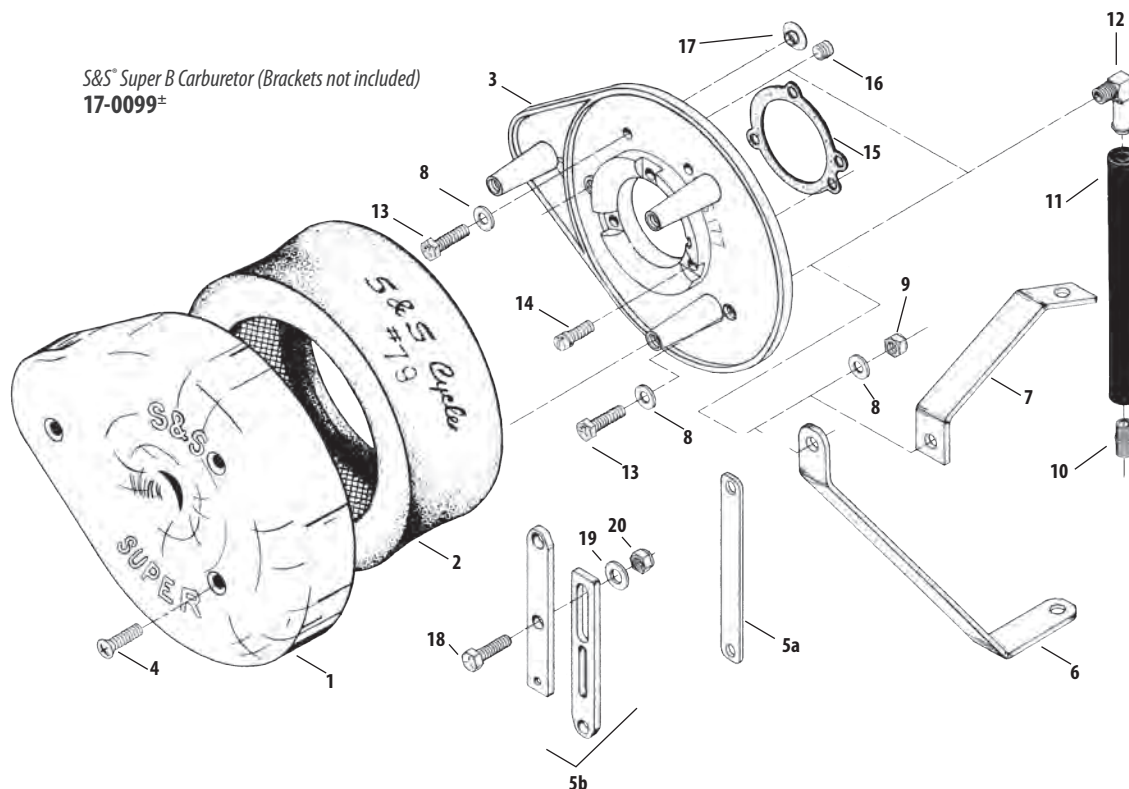


All reference to HD® part numbers is for identification purposes only. We in no way are implying that any of S&S Cycle's products are original equipment parts or that they are equivalent to the corresponding HD® part number shown.

± ⚠ WARNING: Cancer and Reproductive Harm – www.P65Warnings.ca.gov

# SUPER B AIR CLEANER REPLACEMENT PARTS

<b>1.</b> Air cleaner cover		
Chrome .....	<b>17-0078<sup>±</sup></b>	\$164.95
Black .....	<b>17-0075</b>	\$134.95
<b>2.</b> Air cleaner element .....	<b>17-0079</b>	\$18.95
<b>3.</b> Air cleaner backing plate		
Super B 17/8" .....	<b>N/A</b>	-
<b>4.</b> Air cleaner cover screw		
Chrome 1305 (each) .....	<b>50-0072<sup>±</sup></b>	\$2.95
3 pack .....	<b>50-1052<sup>±</sup></b>	\$3.95
10 pack .....	<b>50-0094<sup>±</sup></b>	\$8.95
Black 902 (each) .....	<b>50-0310-S</b>	\$4.95
3 pack .....	<b>50-0310</b>	\$10.95
<b>5.</b> Support bracket		
a. 1948-'65 panhead .....	<b>16-0096</b>	\$8.95
b. 1983-'84 shovelhead .....	<b>16-0471</b>	\$21.95
<b>6.</b> Air cleaner support bracket		
1957-'85 XL .....	<b>17-0093</b>	\$37.95
<b>7.</b> Air cleaner support bracket		
1966-'82 BT .....	<b>17-0092</b>	\$14.95
<b>8.</b> Washer, Flat, .281" x .625" x .080", Zinc 6194, 6245, 6703, 6736, 6228W, 6192 (each) .....	<b>50-7021</b>	\$2.95
<b>9.</b> Nut, Lock, HH, 1/4-28 UNC-2B x .328", Zinc (each) .....	<b>50-5010</b>	\$2.95
<b>10.</b> Vent hose connector nipple .....	<b>50-8111</b>	\$2.95
<b>11.</b> Vent hose - 3/8" I.D. x 6" .....	<b>17-0113</b>	\$2.95
<b>12.</b> 90° elbow fitting (each) .....	<b>50-8110</b>	\$20.95
<b>13.</b> Support bracket bolt - 1/4"-28 x 7/8" .....	<b>50-0074</b>	\$0.95
<b>14.</b> Backplate screw, Zinc Plated (each) .....	<b>106-2084</b>	\$2.95
10 pack .....	<b>106-2105</b>	\$7.95
<b>15.</b> Air cleaner gasket (each) .....	<b>17-0196</b>	\$2.95
5 pack .....	<b>17-0197</b>	\$10.95
<b>16.</b> Allen pipe plug - 1/8" -27		
each .....	<b>50-8331A</b>	\$2.95
10 pack .....	<b>50-1015</b>	\$10.95
<b>17.</b> Plastic plug .....	<b>50-8313</b>	\$0.95
<b>18.</b> Bolt, Hex Head, Gr5, 5/16-18 x 1", Zinc 3987 .....	<b>50-0108</b>	\$2.95
<b>19.</b> Washer, Flat, .344" x .688" x .065", Zinc, Steel		
6320, 70907-07, 6016, 6702. ....	<b>50-7034</b>	\$0.95
<b>20.</b> Nut, Lock, HH, 5/16-18 UNC-2B x .359", Zinc .....	<b>50-5021</b>	\$0.95



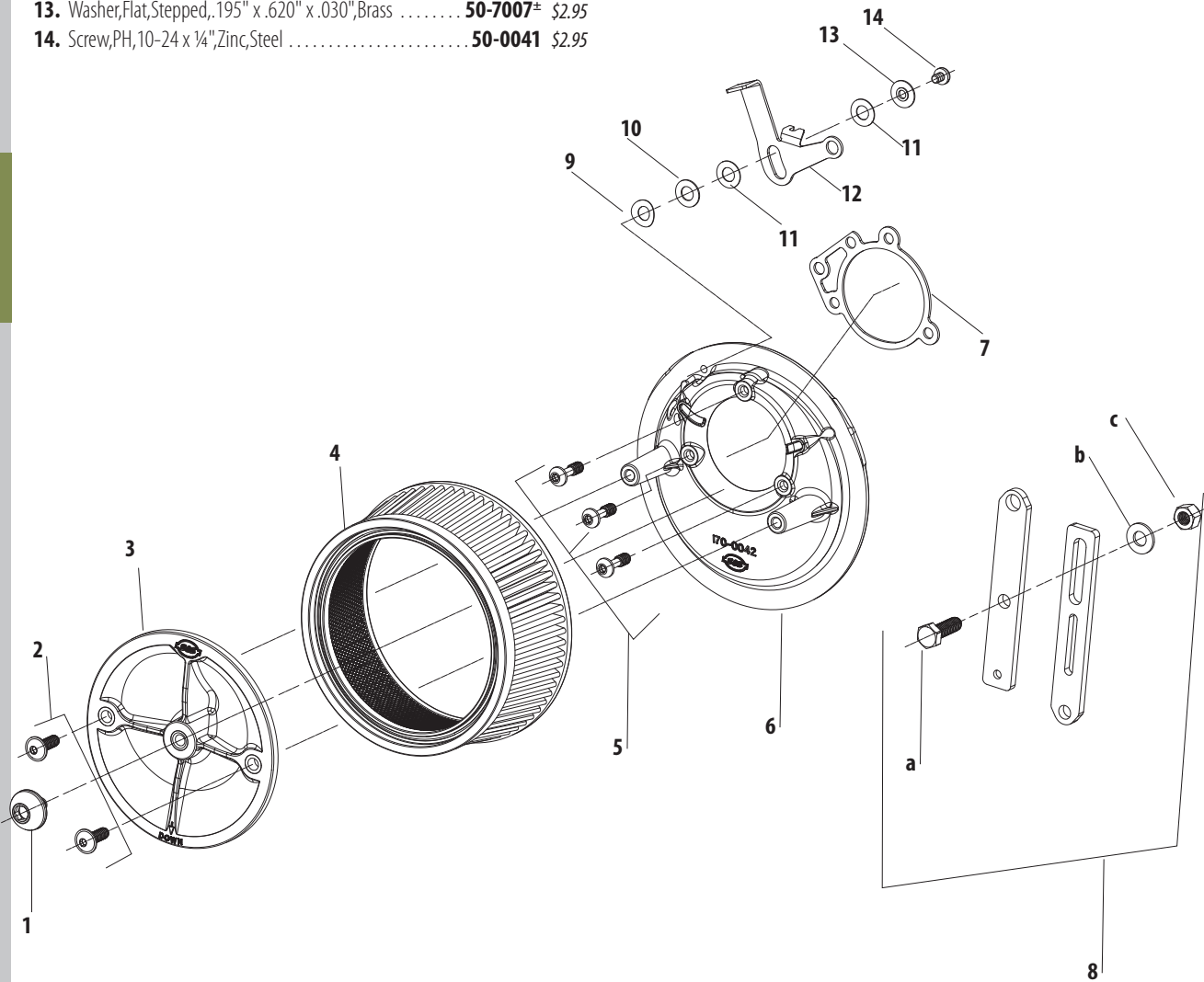
All reference to HD® part numbers is for identification purposes only. We in no way are implying that any of S&S Cycle's products are original equipment parts or that they are equivalent to the corresponding HD® part number shown.

± WARNING: Cancer and Reproductive Harm — www.P65Warnings.ca.gov

# UNIVERSAL STEALTH AIR CLEANER

## REPLACEMENT PARTS

- 1. Screw, SHCB, 5/16-18 x .500", Polished, Stainless Steel . . . **170-0508** \$17.95
- 2. Screw, SHC, Flanged Button, 1/4-20 UNC x .750"  
(each) 2 required. . . . . **500-0060** \$2.95
- 3. Plate, Top, Air Filter, Molded, Plastic . . . . . **170-0026** \$13.95
- 4. Filter, Air, Standard Pleated . . . . . **170-0126** \$42.95
- 5. Screw, SHCB, 1/4-20 UNC X .825" (each) 3 required . . . . . **500-0059** \$2.95
- 6. Backplate, Air Cleaner, Super E/G, Powder coated, Black, Die Cast  
1936-'92 bt, 1957-'90 xl . . . . . **170-0179** \$140.95
- 7. Gasket, Backplate, Super E/G, CV Adapter, .0625" . . . . . **106-1724** \$3.95
- 8. Bracket, Kit, Support, Carb, Case To Manifold, w/ Hardware, 1966-99 bt, 1957-2003  
xl (includes 50-0108, 50-5021, & 50-7034) . . . . . **16-0471** \$21.95
  - a. Bolt, Hex Head, Gr5, 5/16-18 x 1", Zinc . . . . . **50-0108** \$2.95
  - b. Washer, Flat, .344" x .688" x .065", Zinc, Steel . . . . . **50-7034** \$0.95
  - c. Nut, Lock, HH, 5/16-18 UNC-2B x .359", Zinc, Steel/Nylon . . . . . **50-5021** \$0.95
- 9. Washer, Friction, Curved, .329" x .625" x .015", Zinc, Steel . . . **50-7035** \$2.95
- 10. Washer, Flat, .325" x .625" x .032", Zinc, Steel . . . . . **50-7037** \$2.95
- 11. Washer, Flat, .323" x .625" x .020", Nylon (each) 2 required . . . **50-7036** \$2.95
- 12. Lever, Enrichment, Super E/G, Short, Buell® . . . . . **17-0327** \$8.95
- 13. Washer, Flat, Stepped, .195" x .620" x .030", Brass . . . . . **50-7007±** \$2.95
- 14. Screw, PH, 10-24 x 1/4", Zinc, Steel . . . . . **50-0041** \$2.95




± WARNING: Cancer and Reproductive Harm – www.P65Warnings.ca.gov

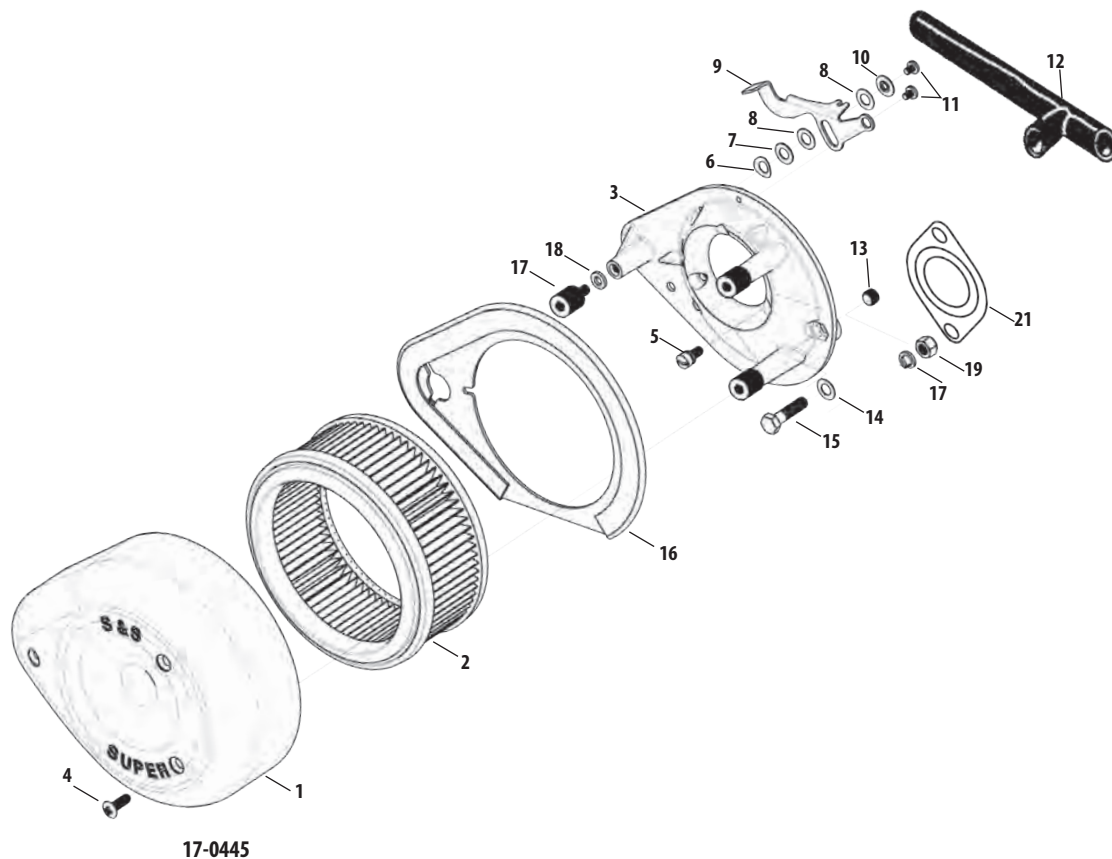


# TÜV APPROVED SUPER E & G AIR CLEANER

## REPLACEMENT PARTS

1. Air cleaner cover  
 Chrome ..... **17-0378±** \$158.95
2. Element, pleated carbon – TÜV ..... **17-0375** \$52.95
3. Backplate  
 1955-'84 bt TÜV ..... **N/A** -  
 1955-'84 bt, 1957-'85 IH XL ..... **17-0330** \$104.95
4. Cover screw  
 Nickel 1305 (each) ..... **50-0072** \$2.95  
 3 pack ..... **50-1052** \$3.95  
 10 pack ..... **50-0094** \$8.95  
 Black #902 (each) ..... **50-0310-S** \$4.95  
 3 pack ..... **50-0310** \$10.95  
 Chrome (each) ..... **50-0347-S±** \$2.95
5. Backplate screw  
 Zinc Plated (each) ..... **106-2084** \$2.95  
 10 pack ..... **106-2105** \$7.95
6. Fast idle friction washer (each) ..... **50-7035** \$2.95  
 10 pack ..... **50-7058** \$6.95
7. Fast idle steel washer (each) ..... **50-7037** \$2.95  
 10 pack ..... **50-7061** \$3.95
8. Fast idle nylon washer (each) ..... **50-7036** \$2.95  
 10 pack ..... **50-7060** \$3.95
9. Enrichment lever .....  **17-0329** \$9.95

10. Fast idle brass washer (each) ..... **50-7007±** \$2.95  
 10 pack ..... **50-7010±** \$12.95
11. Fast idle lever screw (each) ..... **50-0041** \$2.95  
 10 pack ..... **50-0062** \$4.95
12. Crankcase breather hose  
 TÜV 1970-'84 ..... **17-0113** \$2.95
13. Backplate plug 1/8"-27  
 each ..... **50-8331A** \$2.95  
 10 pack ..... **50-1015** \$10.95
14. Flatwasher – 5/16" x 1/16" 6320, 70907-07, 6016, 6702 ..... **50-7034** \$0.95
15. Mounting bracket bolt 3987 –  
 5/16"-18 x 1" ..... **50-0108** \$2.95
16. Plate, air cleaner noise reducer ..... **17-0389** \$50.95
17. Rubber isolator mounts (each) ..... **50-8510-S** \$9.95
18. Shim, spacers, 1/2" OD x 1/4" ID x .080" (each) ..... **50-7971-S** \$2.95
19. Locknut, HH, 5/16" -18 ..... **50-5021** \$0.95
20. Spring clamps (N/S)\* ..... **50-8001** \$0.95
21. Restrictor Plate ..... **N/A** -  
 (N/S) = Not Shown



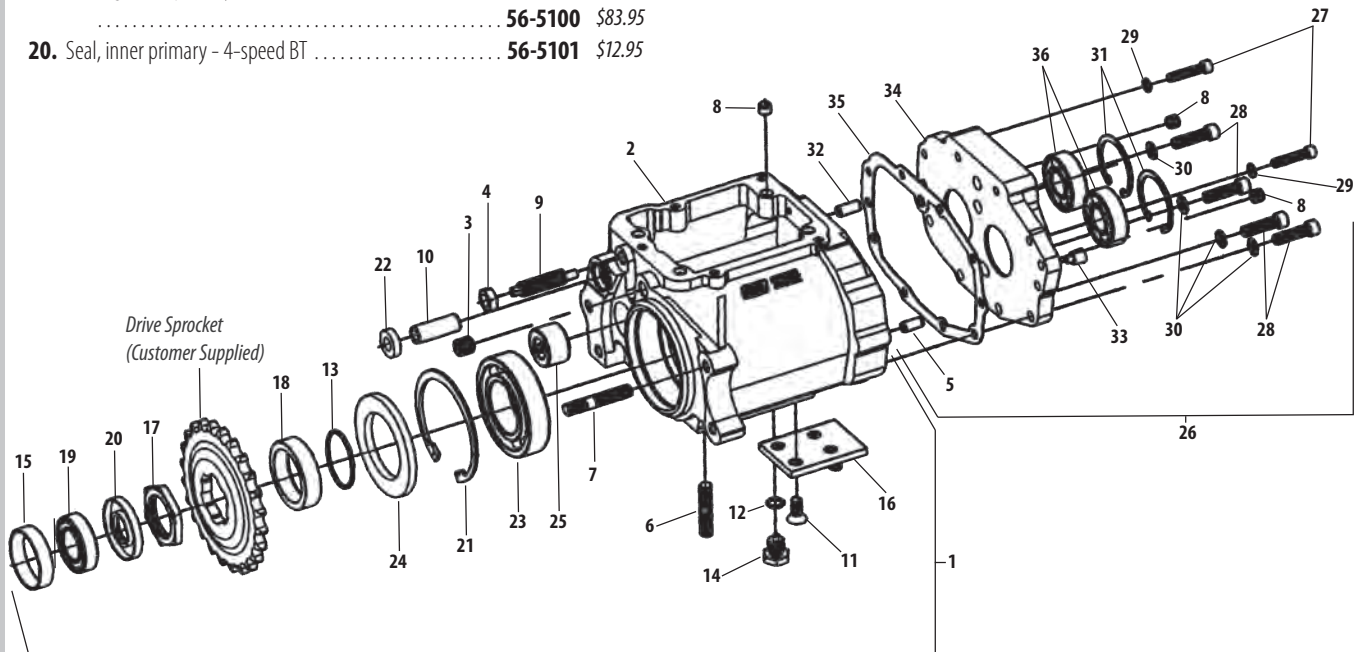
All reference to HD® part numbers is for identification purposes only. We in no way are implying that any of S&S Cycle's products are original equipment parts or that they are equivalent to the corresponding HD® part number shown.

±  WARNING: Cancer and Reproductive Harm – www.P65Warnings.ca.gov

# 5-SPEED TRANSMISSION CASE REPLACEMENT PARTS FOR 4-SPEED BIG TWIN CHASSIS

1. Transmission case assembly, 5-speed  
1965-'84 4-speed BT ..... **56-1051** \$734.95
2. Transmission case only, 5-speed rigid mount  
for 1965-'84 4-speed BT frame ..... **N/A**
3. Screw, SH  $\frac{1}{2}$ "-20 x  $\frac{3}{8}$ " ..... **50-0202** \$6.95
4. Nut, hex -  $\frac{7}{16}$ "-14 each ..... **50-5044** \$0.95
5. Pin, dowel - .308" diameter x .70"  
375 ..... **50-8029** \$2.95
6. Stud -  $\frac{3}{8}$ "-16;  $\frac{3}{8}$ "-24 x  $1\frac{1}{16}$ " (4) (BT 5-speed) ..... **50-8085** \$6.95
7. Stud -  $\frac{3}{8}$ "-16;  $\frac{3}{8}$ "-24 x  $2\frac{5}{16}$ " (4) (5-speed BT) ..... **50-8086** \$10.95
8. Pin, Roll -  $\frac{3}{8}$ " x .300" (4) 609 ..... **50-8173** \$2.95
9. Screw, shifter lever adjustment, 5-speed BT  
33119-79B ..... **56-1002** \$29.95
10. Guide, shifter shaft - 5-speed rigid mount,  
1986-'99 BT 33114-79 ..... **56-1067** \$7.95
11. Screw, SLTD FH,  $\frac{5}{16}$ "-18 x  $\frac{3}{4}$ " (4) ..... **50-0300** \$0.95
12. O-ring,  $\frac{7}{16}$ " I.D. x  $\frac{9}{16}$ " O.D. x  $\frac{1}{16}$ " Viton  
11105, 11273 each ..... **50-8008** \$2.95  
10 pack ..... **50-8078** \$9.95
13. Seal, quad,  $1\frac{9}{16}$ " I.D. x  $1\frac{1}{8}$ " O.D. x  $\frac{1}{16}$ " Buna  
11165 ..... **50-8045** \$6.95
14. Plug,  $\frac{1}{2}$ "-20, magnetic  
..... **50-8335** \$12.95
15. Spacer, mainshaft adapter, 5-speed rigid mount  
1965-'84 4-speed BT ..... **56-1068** \$17.95
16. Adapter, transmission mounting stud,  
5-speed rigid mount/1965-'84 4-speed BT ..... **56-1069** \$167.95
17. Nut, transmission sprocket ..... **56-3003** \$38.95
18. Spacer, transmission sprocket,  
1941-'92 BT ..... **56-3004** \$41.95
19. Bearing, inner primary (25mm x 47mm x 12mm)  
..... **56-5100** \$83.95
20. Seal, inner primary - 4-speed BT ..... **56-5101** \$12.95

21. Ring, internal retainer, 3.734" O.D. x .109" Tru-Arc  
11161, 11599 ..... **50-8051** \$20.95
22. Seal, oil shifter shaft - 1984-'99 BT  
12045 ..... **56-1064** \$5.95
23. Bearing, transmission output shaft, 1984-'99 BT  
8996A ..... **56-1280** \$66.95
24. Seal, oil 12067B ..... **56-3033** \$11.95
25. Bearing, transmission countershaft ..... **56-3034** \$25.95
26. Door assembly, transmission access  
5-speed rigid mount, 1985-'99 BT ..... **56-1027** \$304.95
27. Capscrew, SH -  $\frac{1}{4}$ "-20 x  $1\frac{3}{4}$ " (2) 4740A, 3482A ..... **50-0008** \$2.95
28. Capscrew, SH -  $\frac{5}{16}$ "-18 x  $1\frac{1}{4}$ " (4)  
3210A ..... **50-0121** \$0.95
29. Washer, flat -  $\frac{1}{4}$ " x  $\frac{7}{16}$ " x  $\frac{1}{16}$ " (2)  
each ..... **50-7017** \$2.95  
12 pack ..... **50-7013** \$7.95
30. Washer, flat -  $\frac{5}{16}$ " x .545" x .042" (4) ..... **50-7026** \$2.95
31. Ring, internal retainer, 2.072" O.D. x .062" Tru-Arc (2)  
35021-89 ..... **50-8053** \$4.95
32. Dowel -  $\frac{5}{16}$ " x  $\frac{3}{4}$ " 634 (each) ..... **50-8175** \$0.95
33. Plug, magnetic -  $\frac{1}{8}$ "-27 739A ..... **50-8334** \$10.95
34. Door, transmission access - 5-speed rigid mount  
1985-'99 BT 35258-87C ..... **56-1025** \$235.95
35. Gasket, transmission access door  
35652-79B, 35653-98A ..... **56-1026** \$3.95
36. Bearing, transmission access door (2)  
8992A, 8998 ..... **56-3026** \$42.95



All reference to HD® part numbers is for identification purposes only. We in no way are implying that any of S&S Cycle's products are original equipment parts or that they are equivalent to the corresponding HD® part number shown.

# INDIAN® & VICTORY®

## **Performance Parts**

Air Cleaner Kit for Indian® Models .....	509
Air Cleaner Kit for Indian® Scout®, Indian® Scout® Sixty, Indian® Scout® Bobber & Victory® Octane™ .....	508
Air Cleaner Kits for Victory® Models.....	510

## **Replacement Parts..... 511**



# STEALTHTWO AIR CLEANER KIT

FOR INDIAN® SCOUT®, INDIAN® SCOUT® SIXTY, INDIAN® SCOUT® BOBBER, AND VICTORY® OCTANE™

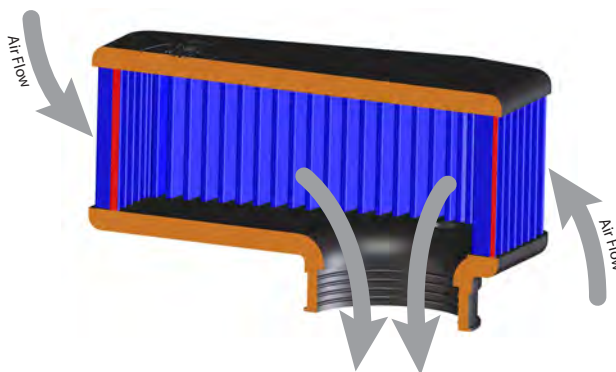
## FITMENT

- 2015–2018 Indian Scout
- 2015–2018 Indian Scout Sixty
- 2015–2018 Indian Scout Bobber
- 2017 Victory Octane



## FEATURES AND BENEFITS

- Bolt-on air cleaner assembly with high flow, washable filter media
- 127% increase in flow
- Simple one-piece construction
- Made in the USA
- Exempt from emissions tampering regulations under CARB EO# D-355-23



The S&S StealthTwo air cleaner features increased filter area and a radiused inlet. Together, they provide a smooth path for air to flow into the throttle body. Reduced turbulence! Increased flow! More power!

## STEALTHTWO AIR CLEANER KIT

Fitment	Part #	MSRP
2015–2018 Indian® Scout®, 2015–2018 Indian® Scout® Sixty, 2015–2018 Indian® Scout® Bobber & 2017 Victory® Octane™	<b>170-0298C</b>	\$160.95

Exempt from emissions tampering regulations under CARB EO# D-355-23



# AIR CLEANER KIT FOR INDIAN® MODELS



## FITMENT

- 2014–2018 Indian® Chieftain®, Classic, Vintage, & Roadmaster Models

## FEATURES AND BENEFITS

- Increase of 5 hp when paired with performance mufflers and tuning
- High flow air filter provides:
  - 2x increase in surface area
  - 37% increase in airflow
  - High quality, washable cotton gauze filter
- Engineered to maintain leg clearance
- Billet aluminum for greater durability
- Show quality chrome billet cover options available



170-0227C

## AIR CLEANER KIT FOR INDIAN® MODELS

FITMENT	Part #	MSRP
All 2014–2018 Indian Models originally equipped with 1811cc Engines No Cover	<b>170-0227C</b>	\$320.95
All 2014–2018 Indian Models originally equipped with 1811cc Engines with S&S® Nostalgic Script Cover	<b>170-0294C</b> ‡	\$441.95
All 2014–2018 Indian Models originally equipped with 1811cc Engines with S&S® Cycle Logo Cover	<b>170-0295C</b> ‡	\$441.95

Exempt from emissions tampering regulations under CARB EO# D-355-23

‡ WARNING: Cancer and Reproductive Harm – www.P65Warnings.ca.gov

## REPLACEMENT COVERS FOR S&S AIR CLEANER KIT FOR INDIAN® MODELS‡

FITMENT	Part #	MSRP
S&S® Nostalgic Script, Chrome	<b>170-0239</b>	\$130.95
S&S® Cycle Logo, Chrome	<b>170-0242</b>	\$130.95

‡ WARNING: Cancer and Reproductive Harm – www.P65Warnings.ca.gov

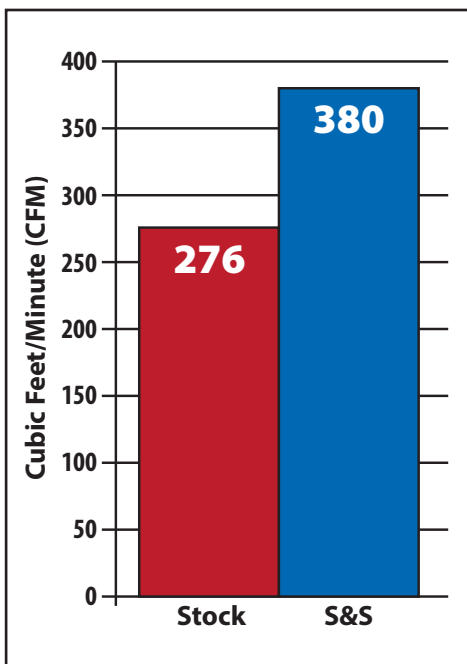
## PRE-FILTER

- Water resistant
- Prevents large debris from prematurely clogging filter
- Washable nylon
- Promotes longer filter life
- Reduces the risk of water entering the intake system
- No tools required for installation

## PRE-FILTER

FITMENT	Part #	MSRP
Air Filter	<b>170-0255</b>	\$46.95

**REPLACEMENT PARTS: SEE PAGE 511**



The S&S Air Cleaner Kit provides 104 cfm\* (37.7%) more air than the stock air cleaner.

\*Tests conducted on a Super Flow 1020 flow bench at 28 inches of water test pressure.



170-0239‡ S&S® Nostalgic Script



170-0242‡ S&S® Cycle Logo



S&S High flow air filter provides 2x increase in surface area for a 37% increase in airflow.

# AIR CLEANER KITS FOR VICTORY® MODELS

## FITMENT

- Available for 2003-up Freedom® engines (not for Vision™, Cross Roads™, Cross Country™ or Touring Cruiser models)
- 50-state version fits 2006-'07

## FEATURES AND BENEFITS

- Increased air flow for up to 20 more hp with performance exhaust
- Calibration card included in some kits – Allows Victory dealer to load an S&S tune file in stock ECU
- Washable gauze filter element
- Polished billet construction

## OPTIONS

- Versions for 2003-'07 models, 2008-up models
- Available with calibration card for Victory dealers
- Available without calibration card (non-Victory dealers)

## KIT CONTENTS

- Polished billet air cleaner housing
- Pleated gauze filter
- All required hardware
- Calibration card included in some kits
- S&S decal
- Instructions



## AIR CLEANER KITS FOR VICTORY® MODELS

Product Description	Part #	MSRP
2003-'07 (includes calibration card)	<b>41-0021</b>	\$430.95
2003-'07 (no calibration card)	<b>106-5130</b>	\$430.95
2008-'12 (except Vision, Cross Roads, Cross Country models) (includes calibration card)	<b>106-1319</b>	\$430.95
2008-'16 (except Vision, Cross Roads, Cross Country models) (No calibration card)	<b>106-5131</b>	\$430.95

DISCLAIMER: NOT LEGAL FOR SALE OR USE IN CALIFORNIA ON ANY POLLUTION CONTROLLED MOTOR VEHICLE. Not legal for sale or use on any EPA pollution controlled motor vehicle.

**REPLACEMENT PARTS: SEE PAGE 512**

## NOTES

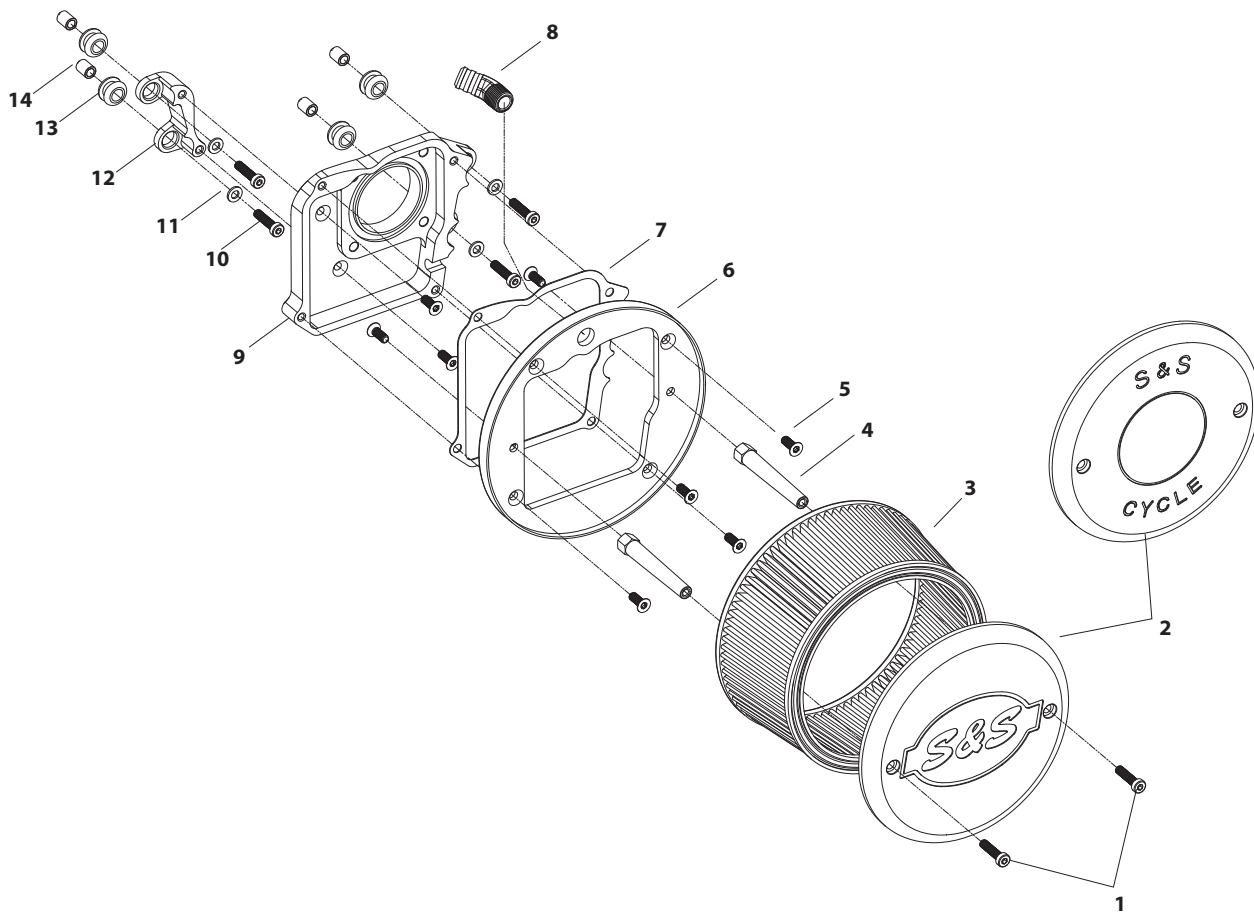
It should be noted that the calibration file for this kit was developed for use with the Victory Stage I Performance Slip-On mufflers and Victory Stage I Exhaust Systems. This tune file can only be accessed by a Victory dealer using the S&S Freedom® Performance Tuner software.

If the installer is not a Victory dealer, we recommend the Dynojet® Power Commander® for EFI tuning.

If a different exhaust is used or other engine modifications are performed, we recommend the Dynojet® Power Commander® for EFI tuning.

# AIR CLEANER KIT REPLACEMENT PARTS FOR INDIAN® MODELS

- |  |           |          |
|--|-----------|----------|
| 1. Screw, SHC Low Profile, 25mm, M6 x 1, Chrome    | N/A       | -        |
| 2. Cover, Air Cleaner                              |           |          |
| S&S Logo   | 170-0242± | \$130.95 |
| S&S Nostalgic Script                               | 170-0239± | \$130.95 |
| 3. Filter, Air, Tapered, Standard Pleated Cotton   | 170-0228  | \$73.95  |
| 4. Standoff, Air Filter                            | 170-0232  | \$12.95  |
| 5. Screw, SHC, Flat, 16mm, M6 x 1, Zinc            | 500-0291  | \$2.95   |
| 6. Backplate, Air Filter Element                   | 170-0230  | \$104.95 |
| 7. Gasket, Backplate                               | 170-0233  | \$10.95  |
| 8. Fitting, 45°, 3/8" NPT x 5/8" Barb, Zinc Plated | 500-0267  | \$20.95  |
| 9. Backplate, Throttle Body                        | 170-0229  | \$171.95 |
| 10. Screw, SHC Low Profile, 25mm, M6 x 1, Zinc     | 500-0271  | \$2.95   |
| 11. Washer, Flat, M6, Zinc                         | 500-0272  | \$0.95   |
| 12. Bracket, Backplate                             | 170-0236  | \$56.95  |
| 13. Grommet, Backplate, Rubber                     | 500-0269  | \$2.95   |
| 14. Spacer, Zinc                                   | 500-0270  | \$2.95   |



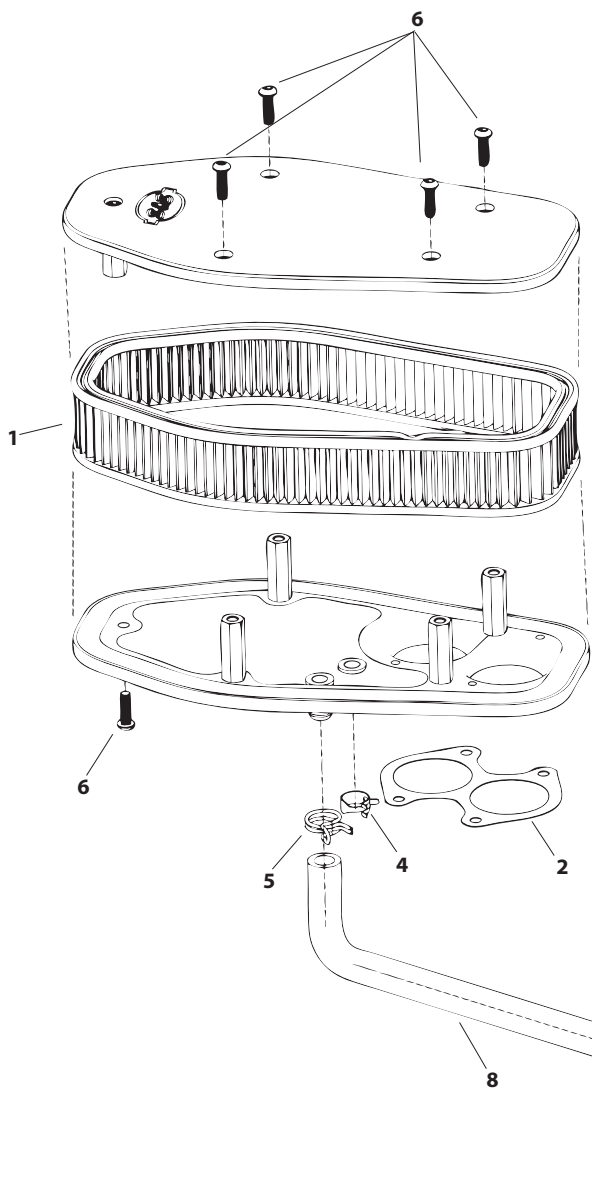
± WARNING: Cancer and Reproductive Harm – www.P65Warnings.ca.gov

# BILLET AIR CLEANER KIT REPLACEMENT PARTS

## FOR 2008-UP VICTORY® MODELS

1. Air filter, 2008-up Victory® .....	<b>170-0264</b>	\$94.95	6. BHC Screw, M6 X 1 X 20.....	<b>50-8421-S</b>	\$1.95
2. Gasket, Backplate, 2008-up Victory (each) .....	<b>106-1325</b>	\$2.95	7. Decal, Speed Equipment, Black, Victory.....	<b>106-1968</b>	\$5.95
3. Clamp, Spring, Double wire (each) .....	<b>106-1327</b>	\$2.95	8. Hose, Breather, Formed, .500".....	<b>N/A</b>	-
4. Clamp, Spring, .660" (each).....	<b>50-8076-S</b>	\$0.95			
5. Clamp, Spring, Double wire.....	<b>50-8156-S</b>	\$0.95			





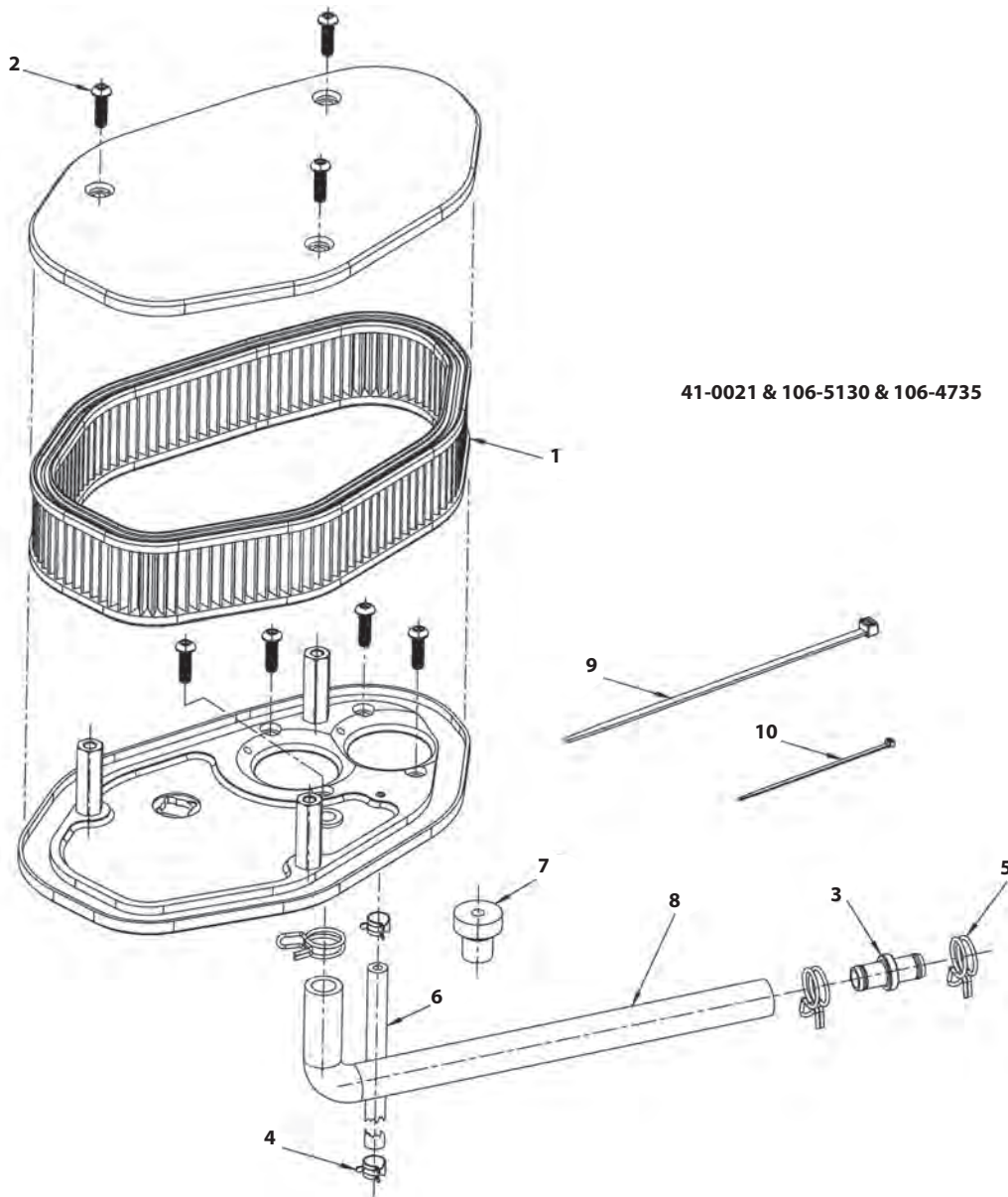
106-1319 & 106-5131



# AIR CLEANER KIT REPLACEMENT PARTS

## FOR 2003–2007 VICTORY® MODELS

1. Filter element .....	<b>41-0006</b>	\$62.95
2. SBHC Screw, M6X1 x 20 .....	<b>50-8421-S</b>	\$1.95
3. Breather hose union, .500" ID .....	<b>41-0008</b>	\$15.95
4. Clamp, hose, spring, .440" DIA .....	<b>50-8143-S</b>	\$0.95
5. Double wire spring clip .....	<b>50-8156-S</b>	\$0.95
6. Hose, 3/16" ID x 12" .....	<b>N/A</b>	
7. Spacer, coil mounting .....	<b>41-0011</b>	\$23.95
8. Breather hose, formed .....	<b>N/A</b>	-
9. Wire tie, 8" Blk, Nylon 10006, 10065 .....	<b>50-8346-S</b>	\$2.95
10. Wire tie .....	<b>50-8003</b>	\$2.95



# TOOLS & SHOP SUPPLIES

Anti-Rotation Bracket .....	522
Bearing Protector Tools.....	518
Boring Plate Kits.....	519
Cam Alignment Tools .....	518
Carburetor Jet Kits .....	524
Champion® Spark Plugs .....	523
Compression Release Socket Kit.....	519
Connecting Rod Checking Pins.....	519
Crankcase Oil Passage Drilling Jig .....	522
Crankpin Nut Clearancing Gauges.....	522
Cylinder Torque Plate Kits.....	520
Degree Wheel Kit .....	521
Engine Stands.....	526
Flywheel Balancing Kits .....	516
Flywheel Tools.....	517
Inner Primary Bearing Race Installer.....	518
Main Bearing Installation Tool .....	518
Main Jet Tool.....	519
Oil Filters.....	523
Rocker Cover Wrench Set.....	519
S&S® Oil.....	523
Tappet Block Alignment Tool.....	522
Top Dead Center Tool.....	519
Top End Tools.....	519
Touch Up Paint, Lubricant, Sealants .....	526
X-Wedge® Tools.....	518



# FLYWHEEL BALANCING KITS

## THE S&S® MASTER FLYWHEEL BALANCING KIT

Description	Part #	MSRP
Designed to allow the average shop to rebalance stock and S&S flywheels accurately and quickly. Whether doing a stock rebuild or a performance upgrade using aftermarket parts, flywheel rebalancing is a desirable step in the engine building process. A complete set of detailed instructions is furnished with each kit. For flywheels with tapered crankpins only.	<b>53-0027</b>	\$1,679.95

### Replacement Parts

1. Balance, Triple Beam Platform	N/A	-
2. Replacement balance weight set, (1-500g 2-1000g)	<b>53-0021</b>	\$209.95
3. Balance shaft, 1936-'71 OHV bt and 1957-'71 xl	<b>53-0090</b>	\$73.95
4. Balance shaft nut (each)	<b>53-0092</b>	\$15.95
5. Balance stand (each)	<b>53-0088</b>	\$114.95
6. Rod support stand (each)	<b>53-0089</b>	\$62.95
7. Taper adapter, 1972-Early '81 bt (each)	<b>53-0086</b>	\$17.95
8. Taper adapter, Late 1981-'85 bt and S&S BL, SE, SL style (each)	<b>53-0087</b>	\$18.95
9. Shaft adapter, 1977-up xl driveside (screws on) (each)	<b>53-0093</b>	\$123.95
10. Shaft adapter, 1977-up xl camside (screws on) (each)	<b>53-0095</b>	\$110.95
11. Shaft adapter, 1955-'99 bt driveside (screws on) (each)	<b>53-0091</b>	\$116.95
12. Shaft adapter, 1958-'92 bt camside (LH, screws on) (each)	<b>53-0101</b>	\$111.95
13. Shaft adapter, 1993-'99 bt camside (RH, screws on) (each)	<b>53-0102</b>	\$111.95
14. Shaft adapter, counterweight (each)	<b>53-0099</b>	\$104.95
15. Collar spacer, 1970-'99 bt (each)	<b>53-0097</b>	\$31.95
16. Collar spacer, 1986-'90 driveside for xl - .280" (each)	<b>53-0098</b>	\$12.95
17. Collar spacer, 1991-up driveside for xl - .860" (each)	<b>53-0085</b>	\$9.95
18. Bob weight assembly, 1000 gram (each)	<b>53-0094</b>	\$136.95

### Repair parts for 53-0094

Screw SHC, 1/2"-13 x 3/4"	Each	<b>50-0200</b>	\$2.95
Screw SHC, 1/2"-13 x 1 1/4"	Each	<b>50-0201</b>	\$2.95

### 19. Shims

2.7 gram	Each	<b>53-0110</b>	\$4.95
5.4 gram	Each	<b>53-0105</b>	\$5.95
8.1 gram		<b>53-0115</b>	\$2.95
10.8 gram		<b>53-0120</b>	\$3.95
13.4 gram	Each	<b>53-0125</b>	\$2.95
50 gram		<b>53-0150</b>	\$8.95
100 gram 25566-06		<b>53-0100</b>	\$0.95

### 20. Shim Kit

Includes: Shims (2 each) 2.7, 5.4, 8.1, 10.8, and 13.4 grams & Shims (1 each) 50 grams and 100 grams	<b>53-0111</b>	\$71.95
--	----------------	---------



**53-0027**

## S&S® FLYWHEEL BALANCE KITS

### Master Balance Kit Without Balance Scale

Includes all parts in #53-0027, except balance & platform scales	<b>53-0028</b>	\$1,049.95
--	----------------	------------

### Triple Beam Platform Balance Scale

(2610 grams\maximum) without weights	<b>53-0011</b>	\$524.95
--------------------------------------	----------------	----------

### Flywheel Balance Kit For 5-Piece Cranks

For 5-Piece Crank	<b>53-0012</b>	\$524.95
-------------------	----------------	----------

#### Includes:

3. Balance shaft	<b>53-0090</b>	\$73.95
4. Balance shaft nut	<b>53-0092</b>	\$15.95
5. Balance stand	<b>53-0088</b>	\$114.95
6. Rod support stand	<b>53-0089</b>	\$62.95
7. Taper adapter	<b>53-0086</b>	\$17.95
8. Taper adapter	<b>53-0087</b>	\$18.95
18. Bob weight 1000 gram	<b>53-0094</b>	\$136.95
19. Shims (See previous page for individual part numbers)		

### Flywheel Balance Kit For 3-Piece Cranks

For Harley-Davidson® Evolution® and Sportster® Models	<b>53-0015</b>	\$612.95
---	----------------	----------

#### Includes:

9. Driveside adapter sleeve for 1977-up Sportster	<b>53-0093</b>	\$123.95
10. Camside adapter sleeve for 1977-up Sportster	<b>53-0095</b>	\$110.95
11. Driveside adapter sleeve for 1955-'99 big twin	<b>53-0091</b>	\$116.95
12. Camside adapter for 1958-'92 big twin	<b>53-0101</b>	\$111.95
13. Camside adapter for 1993-'99 big twin	<b>53-0102</b>	\$111.95
14. Shaft counterweight	<b>53-0099</b>	\$104.95
15. Collar spacer for 1970-'99 big twin	<b>53-0097</b>	\$31.95
16. Collar spacer for 1986-'90 Sportster	<b>53-0098</b>	\$12.95
17. Collar spacer for 1991-up Sportster	<b>53-0085</b>	\$9.95

## NOTE

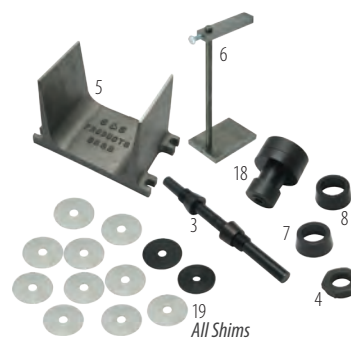
These balancing kits will not work with Harley-Davidson® Twin Cam 88® engines, 2000-up Sportster models, or any flywheel assemblies which use pressed-in crankpins.



**53-0015**



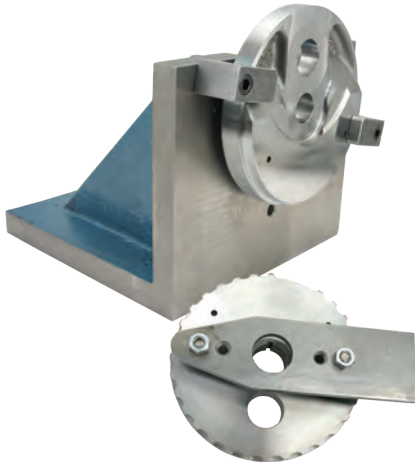
**53-0028**



**53-0012**

# FLYWHEEL ASSEMBLY FIXTURE & TRUING SPANNER

- Includes a massive fixture to hold the flywheels, flywheel clamps and hardware to mount the flywheel to the fixture, and a spanner bar plate to be used with a length of steel pipe to fabricate a long spanner bar for truing adjustments.
- Allows the assembler to torque the mainshaft and crankpin nuts to our higher than stock torque specs. (We recommend using a torque multiplier.) Once the flywheels are assembled, the spanner bar (some assembly required) can be used to shift the flywheels in order to bring the mainshafts into true. This method is much easier, faster, and safer than hitting the flywheels with a lead or brass hammer to true the assembly.
- Works for stock and S&S flywheels for 1936–'99 big twin and 1957–'03 Sportster® models.



106-0552

## FLYWHEEL ASSEMBLY FIXTURE

Description	Part #	MSRP
Includes clamps, plate, and hardware	<b>106-0552</b>	\$734.95

## REPLACEMENT PARTS

Flywheel Fixture Clamp	<b>106-0483</b>	\$75.95
Spanner Bar Plate	<b>106-0783</b>	\$90.95
Hardware Kit, Flywheel Fixture (includes dowel pins, nuts and screws)	<b>106-0782</b>	\$58.95

# BEARING PROTECTOR TOOLS FOR S&S® X-WEDGE® ENGINES

## FEATURES AND BENEFITS

- Slips over the bearing surface of the X-Wedge crankshaft to prevent damage to the surface of the main bearing journal when mounting the crank on an S&S flywheel assembly fixture
- The flanged sleeve offers protection against scratches and dents
- It can also be used on the sprocket side of Victory® crankshafts
- Made of billet aluminum



Easy as 1-2-3! 106-2859 crankcase bearing protector installs in seconds, and not only protects the crankcase main bearing insert from the sharp surfaces on the sprocket shaft, but also guides the crankshaft into the bearing.



## BEARING PROTECTOR TOOLS

Description	Part #	MSRP
Crankshaft Main Bearing Protector	<b>106-2858</b>	\$41.95
Crankcase Main Bearing Insert Protector	<b>106-2859</b>	\$57.95

# CAM ALIGNMENT TOOLS FOR X-WEDGE® ENGINES

- Three dowel pins are used to position each of the three cam belt pulleys with alignment holes in the cam plate



106-0750

## CAM ALIGNMENT TOOLS

Description	Part #	MSRP
Cam Alignment Dowels <i>3 pack</i>	<b>106-0576</b>	\$31.95
Cam Belt Tensioner Socket	<b>106-0750</b>	\$56.95

# MAIN BEARING INSTALLATION TOOL FOR X-WEDGE® ENGINES

- Consists of a bearing guide that holds the two plain bearing halves in position and a shouldered press tool that fits through the guide to press the new bearings into the crankcase
- The press tool is also used by itself to press old bearings out of the crankcase
- For cam and driveside bearings in X-Wedge engines
- A hydraulic or arbor press is required to install or remove bearings.



## MAIN BEARING INSTALLATION TOOL FOR X-WEDGE® ENGINES

Main Bearing Installation Kit	<b>106-0718</b>	\$104.95
-------------------------------	-----------------	----------

# PRIMARY INNER BEARING RACE INSTALLATION TOOL

- Primary inner bearing race installation tool, with a roller thrust bearing that decreases the effort required to install a bearing race by 30%
- Attachment for the S&S Clutch Puller that allows easy removal of the primary inner bearing race
- All of these S&S tools are CNC machined from the finest 4140 tool steel and heat treated for maximum reliability and service life.



## PRIMARY INNER BEARING RACE INSTALLATION TOOL

Inner Primary Bearing Race Installer	<b>56-5145</b>	\$249.95
--------------------------------------	----------------	----------

# TOP DEAD CENTER TOOL

- Easy to find the exact top dead center of any engine
- The best way to calibrate your degree wheel when dialing in cams or performing any number of checks and modifications based on the position of the crankshaft
- Available for engines with 14mm or 12mm spark plug holes.



53-0322



53-0040



53-0452



53-0045

## NOTE

Rocker covers must be removed when installing S&S compression releases. If lack of frame clearance prevents removal of rocker covers, engine must be removed from frame for compression release installation.

### S&S® TOP DEAD CENTER TOOL

Description	Part #	MSRP
14mm	53-0321	\$44.95
12mm	53-0322	\$44.95

### S&S ROCKER COVER WRENCH SET

Helpful in areas where the motorcycle frame may prevent the use of conventional tools.	53-0040	\$125.95
--	---------	----------

### CONNECTING ROD CHECKING PINS

These pins are used to check alignment of connecting rods and wristpin bushings with crankcase cylinder decks.

.927"	53-0004	\$51.95
-------	---------	---------

### S&S COMPRESSION RELEASE SOCKET KIT

Allows in-frame installation of S&S compression releases and protects wiring from damage during installation.

	53-0045	\$136.95
--	---------	----------

### MAIN JET TOOL

For changing main jets in all S&S carburetors using #72 series jets.

	53-0452	\$20.95
--	---------	---------

# BORING PLATE KITS FOR CYLINDER HEADS AND CRANKCASE

- Designed to simplify and reduce the time required to prepare crankcases and cylinder heads for S&S® Sidewinder® big bore kit installations
- Machined cast iron with precision ground working surfaces

### BORING PLATE KIT

#### FOR 1936-'99 BIG TWIN AND 1986-'03 SPORTSTER® MODELS

Description	Part #	MSRP
This boring plate kit has panhead and shovelhead head bolt patterns in one end. The other end is machined with the cylinder base patterns of 1936-'99 big twin engines, and 1986-'03 Harley-Davidson® Sportster models. Spacers are available for Evolution® engines which allow the cases to be bored without removing the cylinder studs (see below). Spacers are not included in this kit.		
Kit	53-0006	\$462.95
Boring plate (1)	N/A	
Screw, 7/16" -20 x 1 1/4" Sockethead Cap	50-0172	\$2.95

### SPACERS FOR EVOLUTION CRANKCASES

Spacer part #53-0007 is required for 1986-'03 Sportster models. Spacers part #53-0007 and #53-0008 are both required for 1984-'99 big twin engines.

3 1/16" tall	53-0007	\$136.95
7/8" tall	53-0008	\$45.95

### BORING PLATE KIT

#### FOR CRANKCASES & CYLINDERS FOR TWIN CAM 88® ENGINES

This boring plate kit is designed for boring stock crankcases of Harley-Davidson® Twin Cam 88® engines to accept S&S Super Sidewinder® 4" and 4 1/8" bore cylinders with stock cylinder stud pattern. A spacer is included with the kit which allows the cases to be bored without removing the cylinder studs.

Kit	53-0035	\$472.95
Boring plate	53-0036	\$271.95
Spacer, 3 3/4" tall	53-0037	\$262.95



53-0006



53-0007



53-0008



53-0035

# CYLINDER TORQUE PLATE KITS

## FITMENT

- S&S 4½" bore
- 4" bore 1999–up big twin
- 3½" 1984–'99 big twin
- Harley-Davidson® Sportster® models in 3½" and 4" bore
- S&S X-Wedge® 4½" bore and 4¼" bore\*

## FEATURES AND BENEFITS

- S&S torque plates can be used in conjunction with an S&S boring fixture and a conventional boring bar, and they can be readily adapted to a Sunnen® type honing machine.

## KIT CONTENTS

- Head end plate
- Base end plate
- Four long grade 8 socket head cap screws (holds the assembly together and supplies the pressure)
- Stop arm (keeps the cylinder and plates from turning while honing)

## CYLINDER TORQUE PLATE REPLACEMENT PARTS

(See chart for specific part numbers.)

1. Base end torque plate
2. Head end torque plate
3. Stop arm
4. Torque bolts
5. Vise tab
6. Tab bolt



\*These torque plates are required to bore or hone X-Wedge cylinders. They have the X-Wedge five bolt pattern and are available for 4½" bore and 4¼" bore cylinders.

S&S® CYLINDER TORQUE PLATE KITS AND REPLACEMENT PARTS										
Bore Size	Case Bolt Pattern	Kit Part #	Head End Plate	Base End Plate	Stop Arm	Bolt ⅜"-24 x 6"	Bolt 7/16"-20 x 6"	Bolt 7/16"-20 x 7"	Vise Tab	Tab Bolt 5/16"-18 x 1"
4½" - 4¼"	S&S® X-Wedge®	—	106-0837	106-0835	53-0014	106-0840	—	—	53-0034	50-0108
4¾" - 47/16"	S&S 4¾" Pattern	53-0055	53-0056	53-0057	53-0014	—	—	50-0192	53-0034	50-0108
4½"	Stock 1999–up big twin	53-0054	106-3190	106-3191	53-0014	—	—	50-0192	53-0034	50-0108
4½"	S&S 4½" Pattern	53-0051	53-0052	53-0053	53-0014	—	50-0191	—	53-0034	50-0108
3.927" - 4"	Stock 1999–up big twin	—	53-0049	53-0050	53-0014	—	—	50-0192	53-0034	50-0108
4"	S&S 4" Pattern	53-0030	—	53-0032	53-0014	—	50-0191	50-0192	53-0034	50-0108
3½"	1984–'99 big twin	53-0016	53-0017	53-0018	53-0014	—	—	50-0192	53-0034	50-0108
3½"	1984–'03 Sportster®	53-0016	53-0017	53-0018	53-0014	—	—	50-0192	53-0034	50-0108

S&S Cylinder torque plate kits are intended for aluminum cylinders including 1984–'99 Harley-Davidson® Evolution® big twin engines, 1986–'03 Sportster models, and 1999–up Twin Cam 88® engines.

## S&S® CYLINDER TORQUE PLATE KITS

Bore Size	Case Bolt Pattern	Part #	MSRP
4¾" - 47/16"	S&S 4¾" Pattern	53-0055	\$629.95
4½"	Stock 1999–up big twin	53-0054	\$629.95
4½"	S&S 4½" Pattern	53-0051	\$734.95
4"	S&S 4" Pattern	53-0030	\$623.95
3½"	1984–'99 big twin	53-0016	\$734.95
3½"	1984–'03 Sportster®	53-0016	\$734.95

S&S Cylinder torque plate kits are intended for aluminum cylinders including 1984–'99 Harley-Davidson® Evolution® big twin engines, 1986–'03 Sportster models, and 1999–up big twin engines.



**HEAD END PLATE**

Bore Size	Case Bolt Pattern	Part #	MSRP
4¼"	S&S® X-Wedge®	<b>106-0837</b>	\$239.95
4¾"	S&S 4¾" Pattern	<b>53-0056</b>	\$314.95
4½"	Stock 1999-up big twin	<b>106-3190</b>	\$287.95
4¾"	S&S 4¾" Pattern	<b>53-0052</b>	\$314.95
4"	Stock 1999-up big twin	<b>53-0049</b>	\$311.95
3½"	1984-'99 big twin	<b>53-0017</b>	\$314.95
3½"	1984-'03 Sportster®	<b>53-0017</b>	\$314.95

**BASE END PLATE**

Bore Size	Case Bolt Pattern	Part #	MSRP
4¼"	S&S® X-Wedge®	<b>106-0835</b>	\$239.95
4¾"	S&S 4¾" Pattern	<b>53-0057</b>	\$314.95
4½"	Stock 1999-up big twin	<b>106-3191</b>	\$273.95
4¾"	S&S 4¾" Pattern	<b>53-0053</b>	\$314.95
4"	Stock 1999-up big twin	<b>53-0050</b>	\$311.95
4"	S&S 4" Pattern	<b>53-0032</b>	\$311.95
3½"	1984-'99 big twin	<b>53-0018</b>	\$314.95
3½"	1984-'03 Sportster®	<b>53-0018</b>	\$314.95

**STOP ARM**

Bore Size	Case Bolt Pattern	Part #	MSRP
All	All	<b>53-0014</b>	\$50.95

**BOLT ¾"-24 X 6"**

Bore Size	Bore Size	Part #	MSRSP
4¼"	S&S® X-Wedge®	<b>106-0840</b>	\$6.95

**BOLT 7/16"-20 X 6"**

Bore Size	Case Bolt Pattern	Part #	MSRP
4½"	S&S® 4½" Pattern	Each	<b>50-0191</b> \$15.95
		4 pack	<b>50-0191P</b> \$60.95
4"	S&S 4" Pattern	Each	<b>50-0191</b> \$15.95
		4 pack	<b>50-0191P</b> \$60.95

**BOLT 7/16"-20 X 7"**

Bore Size	Case Bolt Pattern	Part #	MSRP
4¾"	S&S 4¾" Pattern	Each	<b>50-0192</b> \$45.95
		4 pack	<b>50-0192P</b> \$178.95
4½"	Stock 1999-up big twin	Each	<b>50-0192</b> \$45.95
		4 pack	<b>50-0192P</b> \$178.95
4"	Stock 1999-up big twin	Each	<b>50-0192</b> \$45.95
		4 pack	<b>50-0192P</b> \$178.95
4"	S&S 4" Pattern	Each	<b>50-0192</b> \$45.95
		4 pack	<b>50-0192P</b> \$178.95
3½"	1984-'99 big twin	Each	<b>50-0192</b> \$45.95
		4 pack	<b>50-0192P</b> \$178.95
3½"	1984-'03 Sportster®	Each	<b>50-0192</b> \$45.95
		4 pack	<b>50-0192P</b> \$178.95

**WISE TAB**

Bore Size	Case Bolt Pattern	Part #	MSRP
All	All	<b>53-0034</b>	\$31.95

**TAB BOLT 5/16"-18 X 1"**

Bore	Case Bolt Pattern	Part #	MSRP
All	All 3987	Each <b>50-0108</b>	\$2.95

# DEGREE WHEEL KIT

- Multipurpose S&S® degree wheel can be used to do ignition timing, crankcase breather timing, cam degreering, or you name it
- Designed to fit the sprocket shaft of any big twin or Harley-Davidson® Sportster® model simply by using the correct adapter provided
- Each kit also comes with a pointer which is held in place with the center crankcase bolt



**53-0020**

**S&S DEGREE WHEEL KIT**

Description	Part #	MSRP
Kit	<b>53-0020</b>	\$120.95
Adapter for Sportster® models (1 Each)	<b>53-0023</b>	\$17.95
Adapter for big twin (1 Each)	<b>53-0024</b>	\$14.95
Pointer (1 Each)	<b>53-0025</b>	\$7.95
Degree wheel and main adapter assembly (1 Each)	<b>53-0026</b>	\$67.95

# CRANKPIN NUT CLEARANCING GAUGES

- Designed to simplify and eliminate clearancing problems that may arise when installing stroker flywheels in stock big twin crankcases
- By painting the bosses to be clearanced and then placing the appropriate gauge on the main bearing race, the crankcases can be marked with a scribe in the proper hole for the stroke and style connecting rod crankpin nuts to be used—*quickly and precisely.*



## S&S® CRANKPIN NUT CLEARANCING GAUGES

Description	Part #	MSRP
1958–'99 Big Twin Gauge	<b>53-0005</b>	\$31.95

# ANTI-ROTATION BRACKET

This handy bracket slides over the sprocket shaft splines of big twin engines and bolts to one of the primary bolt holes of the crankcase to keep the crank from rotating. It's like an extra set of hands while installing pistons and cylinders.



50-9870

Fitment	Part #	MSRP
1970–2006 Big Twin (except '06 Dyna®)	<b>50-9870</b>	\$13.95
2007–up Big Twin, 2006 Dyna®	<b>530-0018</b>	\$20.95

# CRANKCASE OIL PASSAGE DRILLING JIG

## DRILL JIG IS USED TO DRILL...

- Primary chain oil supply passage from the breather valve gear cavity to the back side of the oil pump body on late generator and early alternator crankcases.
- Pressure relief passage from behind the main oil pressure valve to the gear cavity on alternator crankcases.
- Crankshaft and main bearings supply passage on generator crankcases.
- Crankshaft and main bearings supply passage on early alternator crankcases.



## S&S CRANKCASE OIL PASSAGE DRILLING JIG

Description	Part #	MSRP
The S&S crankcase oil passage drilling jig is used to perform crankcase drilling modifications when installing an S&S oil pump assembly on early big twin crankcases. Made of hardened steel for durability, this fixture enables the builder to do four modifications.	<b>53-0013</b>	\$54.95

# TAPPET BLOCK ALIGNMENT TOOL

- Aligns tappet block so the tappet rollers run straight on the cam lobe to prevent camshaft wear



## S&S® TAPPET BLOCK ALIGNMENT TOOL

Description	Part #	MSRP
Tool, Tappet Guide, Alignment	<b>530-0014</b>	\$16.95

# S&S® OIL

## FEATURES AND BENEFITS

- Ultimate protection
- Superior lubrication for reduced engine wear and lower oil temperatures
- Provides consistent viscosity, and resists thermal breakdown and oxidation at elevated temperatures
- Includes a oil drain plug oring for convenience

### S&S® OIL CHANGE KIT

Description	Part #	MSRP
Harley-Davidson® big twin & Sportster® Models with Evolution® engines <i>(using OEM filter #63796-77A, 63806-83, 63805-80A)</i>	<b>3601-0412</b>	\$72.95
Harley-Davidson® Twin Cam 88®/96™/103™/110™ engines <i>(using OEM filter #63798-99, 63731-99A)</i>	<b>3601-0413</b>	\$72.95
2017-2019 Harley-Davidson® Models with Milwaukee-Eight® engine	<b>3601-0492</b>	\$87.95



### S&S® OIL

Description	Part #	MSRP
20W50 Synthetic, 1 quart	<b>3601-0407</b>	\$14.95
20W50 Synthetic, 2.5 Gallon	<b>3601-0408</b>	\$139.95
Primary, Synthetic, 1 quart	<b>3603-0044</b>	\$14.95
80W140 Gear, Synthetic, 1 quart	<b>3604-0007</b>	\$14.95
Chain/Gear, Synthetic, 1 quart	<b>3604-0008</b>	\$17.95

# OIL FILTERS

## FEATURES AND BENEFITS

- Captures smaller particles than stock filters
- Low restriction to oil flow
- Direct bypass —bypass oil does not pass over dirty filter media
- Smaller diameter for easier installation
- Black or chrome finish



### S&S® OIL FILTERS

Year Application	Micron Rating	QTY	Chrome	MSRP	Black	MSRP
1984-'99 Evolution®, 1986-'17 XL and 1991-'02 Buell®	30µ	each	<b>31-4102A</b>	\$17.95	<b>31-4101A</b>	\$14.95
		12 pack	<b>310-0240</b> 63796-77A	\$198.95	<b>310-0239</b> 63805-80A	\$149.95
1999-'17* Twin Cam 88®/96™/103™ and all X-Wedge®	10µ	each	<b>31-4104A</b>	\$17.95	<b>31-4103A</b>	\$14.95
		12 pack	<b>310-0242</b> 63798-99A	\$198.95	<b>310-0241</b> 63731-99A	\$149.95

\*Contains an anti-drain back valve

# CHAMPION® SPARK PLUGS



55-1322

## CHAMPION® SPARK PLUGS

Application	Size	QTY	Part #	MSRP
Twin Cam 88®/96™/103™, Sportster®, X-Wedge® & S&S 4 1/8" bore engines <i>Champion® #RA8HC</i>	12mm Long Reach	each	<b>55-1320</b> 32317-86A, 32362-04	\$7.95
		2 pack	<b>55-1322</b> 32317-86A, 32362-04	\$13.95
Evolution®, Vintage Models (SH-Series, Iron XL, KN-Series, P-Series) & S&S 3 3/8" & 4" bore engines <i>Champion® #RN12YC</i>	14mm Long Reach	each	<b>55-1321</b> 32342-04, 32311-83	\$6.95
		2 pack	<b>55-1323</b> 32342-04, 32311-83	\$10.95

# JETS & CARB REBUILD KITS FOR S&S SUPER E & G CARBURETORS

For those who need to rejet their carburetor because of engine modifications, exhaust modifications, or changes in altitude, we have extra jet kits available which are designed to cover most jetting situations.

### DEALER JET KITS<sup>±</sup>

Description	Part #	MSRP
S&S Carb Parts Kit (Contains needed parts to maintain S&S Super E and G carburetors)	<b>11-3103</b>	\$373.95
S&S Jet Kit (Includes 3 each of all intermediate jets and 5 each of all main jets, plus a main jet tool)	<b>11-3102</b>	\$348.95

<sup>±</sup> ⚠ WARNING: Cancer and Reproductive Harm – www.P65Warnings.ca.gov



11-3103<sup>±</sup>

### JET PACKS<sup>±</sup>

Description	Part #	MSRP
<b>Low Range Jet Pack</b> – For jetting most stock and moderate performance engines. <i>Includes one each intermediate jets (.025", .0265", .028", .0295", .031", .032", .033") and one each main jets (.062", .064", .066", .068", .070", .072", .074").</i>	<b>11-7270</b>	\$52.95
<b>High Range Jet Pack</b> – For jetting some stock and all performance engines. <i>Includes one each intermediate jets (.0295", .031", .032", .033") and one each main jets (.072", .074", .076", .078", .080", .082", .084").</i>	<b>11-7271</b>	\$52.95
<b>Master Jet Pack</b> – For jetting all Super B, E, and G equipped engines. <i>Includes one each intermediate jets (.025", .0265", .028", .0295", .031", .032", .033") and one each main jets (.062", .064", .066", .068", .070", .072", .074", .076", .078", .080", .082", .084").</i>	<b>11-7272</b>	\$89.95

<sup>±</sup> ⚠ WARNING: Cancer and Reproductive Harm – www.P65Warnings.ca.gov



11-3102<sup>±</sup>

### INTERMEDIATE JETS - SERIES #94 INDIVIDUAL SELECTION<sup>±</sup>

Size	QTY	Part #	MSRP	Size	QTY	Part #	MSRP
.025	each	<b>11-0250</b>	\$10.95	.032	each	<b>11-0320</b>	\$10.95
	3 pack	<b>11-7107</b>	\$27.95		3 pack	<b>11-7112</b>	\$27.95
.0265	each	<b>11-0265</b>	\$10.95	.033	each	<b>11-0330</b>	\$10.95
	3 pack	<b>11-7108</b>	\$27.95		3 pack	<b>11-7113</b>	\$27.95
.028	each	<b>11-0280</b>	\$10.95	.036	each	<b>11-0360</b>	\$10.95
	3 pack	<b>11-7109</b>	\$27.95		3 pack	<b>11-7114</b>	\$27.95
.0295	each	<b>11-0295</b>	\$10.95	.040	each	<b>11-0400</b>	\$10.95
	3 pack	<b>11-7110</b>	\$27.95		3 pack	<b>11-7115</b>	\$27.95
.031	each	<b>11-0310</b>	\$10.95	Blank	each	<b>11-0000</b>	\$9.95
	3 pack	<b>11-7111</b>	\$27.95				

<sup>±</sup> ⚠ WARNING: Cancer and Reproductive Harm – www.P65Warnings.ca.gov



11-7272<sup>±</sup>



106-3517<sup>±</sup>

Early Series #94 gas jets were stamped with single digit numbers. Conversions for these numbers are:

1.....	.025"	4.....	.033"
2.....	.028"	5.....	.036"
3.....	.031"	6.....	.040"


## NOTES

No returns or exchanges on jets.  
Refer to Section 10: Racing for the S&S fuel and turbo carburetors.

Milwaukee®  
 Eight™  
 2007-2017  
 Twin Cam™  
 96°/103°/110°  
 1999-2006  
 Twin Cam 88°  
 1986-2019  
 Sportster® & Buell®  
 2014-2019  
 Street & Street Rod™  
 1984-1999  
 Evolution®  
 1926-1984  
 Vintage Engines  
 Indian® & Victory® Models  
 Tools & Shop Supplies  
 Apparel  
 Warranty & Company Policy  
 Appendix & Index

## MAIN JETS - SERIES #72 INDIVIDUAL SIZE SELECTION<sup>±</sup>

Size	QTY	Part #	MSRP	Size	QTY	Part #	MSRP
.040	each	<b>11-4040</b>	\$9.95	.080	each	<b>11-4080</b>	\$9.95
	5 pack	<b>11-7220</b>	\$38.95		5 pack	<b>11-7240</b>	\$38.95
.042	each	<b>11-4042</b>	\$9.95	.082	each	<b>11-4082</b>	\$9.95
	5 pack	<b>11-7221</b>	\$38.95		5 pack	<b>11-7241</b>	\$38.95
.044	each	<b>11-4044</b>	\$9.95	.084	each	<b>11-4084</b>	\$9.95
	5 pack	<b>11-7222</b>	\$38.95		5 pack	<b>11-7242</b>	\$38.95
.046	each	<b>11-4046</b>	\$9.95	.086	each	<b>11-4086</b>	\$9.95
	5 pack	<b>11-7223</b>	\$38.95		5 pack	<b>11-7243</b>	\$38.95
.048	each	<b>11-4048</b>	\$9.95	.088	each	<b>11-4088</b>	\$9.95
	5 pack	<b>11-7224</b>	\$38.95		5 pack	<b>11-7244</b>	\$38.95
.050	each	<b>11-4050</b>	\$9.95	.090	each	<b>11-4090</b>	\$9.95
	5 pack	<b>11-7225</b>	\$38.95		5 pack	<b>11-7245</b>	\$38.95
.052	each	<b>11-4052</b>	\$9.95	.092	each	<b>11-4092</b>	\$9.95
	5 pack	<b>11-7226</b>	\$38.95		5 pack	<b>11-7246</b>	\$38.95
.054	each	<b>11-4054</b>	\$9.95	.094	each	<b>11-4094</b>	\$9.95
	5 pack	<b>11-7227</b>	\$38.95		5 pack	<b>11-7247</b>	\$38.95
.056	each	<b>11-4056</b>	\$9.95	.096	each	<b>11-4096</b>	\$9.95
	5 pack	<b>11-7228</b>	\$38.95		5 pack	<b>11-7248</b>	\$38.95
.058	each	<b>11-4058</b>	\$9.95	.098	each	<b>11-4098</b>	\$9.95
	5 pack	<b>11-7229</b>	\$38.95		5 pack	<b>11-7249</b>	\$38.95
.060	each	<b>11-4060</b>	\$9.95	.100	each	<b>11-4100</b>	\$9.95
	5 pack	<b>11-7230</b>	\$38.95		5 pack	<b>11-7250</b>	\$38.95
.062	each	<b>11-4062</b>	\$9.95	.102	each	<b>11-4102</b>	\$9.95
	5 pack	<b>11-7231</b>	\$38.95		5 pack	<b>11-7251</b>	\$38.95
.064	each	<b>11-4064</b>	\$9.95	.104	each	<b>11-4104</b>	\$9.95
	5 pack	<b>11-7232</b>	\$38.95		5 pack	<b>11-7252</b>	\$38.95
.066	each	<b>11-4066</b>	\$9.95	.106	each	<b>11-4106</b>	\$9.95
	5 pack	<b>11-7233</b>	\$38.95				
.068	each	<b>11-4068</b>	\$9.95	.110	each	<b>11-4110</b>	\$9.95
	5 pack	<b>11-7234</b>	\$38.95		5 pack	<b>11-7255</b>	\$38.95
.070	each	<b>11-4070</b>	\$9.95	.115	each	<b>11-4115</b>	\$9.95
	5 pack	<b>11-7235</b>	\$38.95		5 pack	<b>11-7256</b>	\$38.95
.072	each	<b>11-4072</b>	\$9.95	.120	each	<b>11-4120</b>	\$9.95
	5 pack	<b>11-7236</b>	\$38.95		5 pack	<b>11-7257</b>	\$38.95
.074	each	<b>11-4074</b>	\$9.95				
	5 pack	<b>11-7237</b>	\$38.95				
.076	each	<b>11-4076</b>	\$9.95				
	5 pack	<b>11-7238</b>	\$38.95				
.078	each	<b>11-4078</b>	\$9.95				
	5 pack	<b>11-7239</b>	\$38.95				

<sup>±</sup>  WARNING: Cancer and Reproductive Harm – www.P65Warnings.ca.gov

## MAIN JET AIR BLEED KIT<sup>±</sup> (One Jet Each Size)

Sizes	Part #	MSRP
.042" - .060"	<b>106-3517</b>	\$70.95
.084" - .120"	<b>106-3518</b>	\$56.95

<sup>±</sup>  WARNING: Cancer and Reproductive Harm – www.P65Warnings.ca.gov



## S&S® CARBURETOR REBUILD KITS

To insure that you continue to get the utmost in performance from your S&S carburetor, we have put together a series of rebuild kits that are designed to provide the proper parts to return a worn carburetor to top shape. We have assembled different types of kits to cover the different degrees of rebuild necessary.

### MASTER REBUILD KITS

Master rebuild kits contain a body rebuild kit, accelerator pump rebuild kit (Super E and G only), all new fasteners, springs, idle mixture screw, seat, and needle assembly. Everything needed to completely rebuild one carburetor.

#### MASTER REBUILD KIT<sup>±</sup>

Description	Part #	MSRP
Super E	<b>11-2923</b>	\$89.95
Super G	<b>11-2924</b>	\$89.95

<sup>±</sup>  WARNING: Cancer and Reproductive Harm – www.P65Warnings.ca.gov

### BODY REBUILD KITS

Body rebuild kits for Super E and G carbs also contain throttle shaft nuts, nylon washers, accelerator pump o-ring, and accelerator pump boot. Body rebuild kits for Super E and G carbs do not contain throttle shaft bushings since these carbs have stainless steel throttle shaft bushings already installed.

#### BODY REBUILD KIT<sup>±</sup>

Description	Part #	MSRP
Super E	<b>11-2906</b>	\$45.95
Super G	<b>11-2907</b>	\$45.95



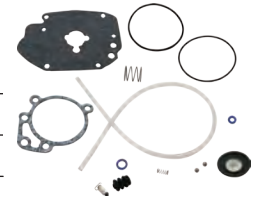
<sup>±</sup>  WARNING: Cancer and Reproductive Harm – www.P65Warnings.ca.gov

### BASIC REBUILD KIT

A gasket and seal kit for low mileage Super E & G carbs. Perfect to reassemble carbs taken apart for inspection and cleaning.

#### BASIC REBUILD KIT<sup>±</sup>

Description	Part #	MSRP
Super E & G	<b>110-0067</b>	\$38.95



<sup>±</sup>  WARNING: Cancer and Reproductive Harm – www.P65Warnings.ca.gov

### ACCELERATOR PUMP REBUILD KITS

Accelerator pump rebuild kits contain diaphragm, diaphragm spring, check balls, check ball spring, pump pushrod, and required hardware and o-rings.

#### ACCELERATOR PUMP REBUILD KIT

Description	Part #	MSRP
Super E & G	<b>11-2918</b>	\$21.95



### FUEL LINE KIT

Fuel Line Kit for Super E and G Carburetors p/n 190-0005<sup>±</sup>

Fuel Line, Kit, Carb, Super E/G, Swivel Retrofit.....	<b>190-0005<sup>±</sup></b>	\$36.95
Fuel Line, .311" x .563" x 17.5", SAE 30R14.....	<b>190-0001</b>	\$8.95

(replacement fuel line only)

<sup>±</sup>  WARNING: Cancer and Reproductive Harm – www.P65Warnings.ca.gov

# TOUCH UP PAINT, LUBRICANT AND SEALANTS



106-3023



51-9000



51-9009



51-9002



500-0143

## TOUCH UP PAINT

Description	Part #	MSRP
S&S touch up paint is included with each powdercoated S&S engine, but it's handy to have a spare! Keep one in the shop and one in your saddle bag. Sold in ½ oz. bottles with applicator cap.		
Wrinkle Black ½ oz, matte finish (used after April 2009)*	510-0053	\$9.95
Silver ½ oz	106-3023	\$13.95
Stone Gray ½ oz	510-0350	\$13.95

*\*NOTE: Wrinkle Black (51-9001) has a slightly glossy finish. Wrinkle Black (510-0053) has a matte finish with no gloss.*

## LUBRICANT AND SEALANTS

Use what the pros use! S&S assembles a lot of engines and customers often ask what sealants and lubricants we use. We recommend and use the following:

### Torco® Engine Assembly Lube

Protect engine components during assembly and initial start up!

4 oz. Bottle	51-9000	\$15.95
1 oz. Tube	51-9002	\$9.95

### Gasgacinch® Gasket Sealer

4 oz. (118ml) Can	51-9009	\$10.95
-------------------	---------	---------

### ThreeBond® Liquid Gasket 1194

Great for sealing crankcases! 3.5 oz. (100g) Tube	500-0143	\$26.95
--	----------	---------

# ENGINE STANDS

- An economical way to hold an engine on the work bench, for shipping, or for display
- Constructed of heavy gauge stamped steel with "S&S" laser cut in both ends
- Bullet proof, blue powder coat finish gives the stands a professional appearance that is suitable for display and protects them from corrosion and minor abrasions



## S&S® ENGINE STANDS

Application	Part #	MSRP
S&S X-Wedge® Engines	53-0147	\$95.95
1936-'99 Big Twin Engines	53-0141	\$95.95
1999-Up Unbalanced Big Twin Engines	53-0143	\$95.95
1999-'06 Balanced Big Twin Engines	53-0145	\$67.17



# APPAREL

Accessories.....	533
Apparel .....	528
Dealer stocking parts .....	534
For the shop .....	534



# APPAREL

## S&S® Performance Parts Tee

- Super soft ring-spun 100% cotton
- Double-needle bottom hem and sleeves
- Pre-shrunk to minimize shrinkage
- Slimmer fit, order a size up for a more standard fit
- Water based screenprint
- Screen printed inside label
- Printed in the USA

S.....	<b>510-0675</b>	\$21.95
M.....	<b>510-0676</b>	\$21.95
L.....	<b>510-0677</b>	\$21.95
XL.....	<b>510-0678</b>	\$21.95
XXL.....	<b>510-0679</b>	\$21.95
XXXL.....	<b>510-0680</b>	\$21.95



back

## S&S® Support Crewneck Sweatshirt

- 100% cotton
- Double-needle bottom hem and sleeves
- Pre-shrunk to minimize shrinkage
- Slimmer fit, order a size up for a more standard fit
- Water based screenprint
- Screen printed inside label
- Printed in the USA

S.....	<b>510-0663</b>	\$41.95
M.....	<b>510-0664</b>	\$41.95
L.....	<b>510-0665</b>	\$41.95
XL.....	<b>510-0666</b>	\$41.95
XXL.....	<b>510-0667</b>	\$41.95
XXXL.....	<b>510-0668</b>	\$41.95



## S&S® Speed Equipment Tee

- Super soft ring-spun 100% cotton
- Double-needle bottom hem and sleeves
- Pre-shrunk to minimize shrinkage
- Slimmer fit, order a size up for a more standard fit
- Water-based screenprint
- Printed in the USA

S.....	<b>510-0669</b>	\$21.95
M.....	<b>510-0670</b>	\$21.95
L.....	<b>510-0671</b>	\$21.95
XL.....	<b>510-0672</b>	\$21.95
XXL.....	<b>510-0673</b>	\$21.95
XXXL.....	<b>510-0674</b>	\$21.95



back



## S&S® Flat Track Tee

- Black
- Pre-shrunk
- Super soft ring-spun 100% cotton
- Slimmer fit, order a size up for a more standard fit
- Water-based screenprint
- Printed in the USA

S.....	<b>510-0543</b>	\$21.95
M.....	<b>510-0493</b>	\$21.95
L.....	<b>510-0494</b>	\$21.95
XL.....	<b>510-0495</b>	\$21.95
XXL.....	<b>510-0496</b>	\$21.95
XXXL.....	<b>510-0497</b>	\$21.95



### S&S® Classic Pocket Tee

- Super soft ring-spun 100% cotton
- Classic front pocket on chest
- Pre-shrunk to minimize shrinkage
- Slimmer fit, order a size up for a more standard fit
- Water based screenprint
- Screen printed inside label
- Printed in the USA

S.....	<b>510-0616</b>	\$21.95
M.....	<b>510-0617</b>	\$21.95
L.....	<b>510-0618</b>	\$21.95
XL.....	<b>510-0619</b>	\$21.95
XXL.....	<b>510-0620</b>	\$21.95



back



### S&S® T-143 Diagram Tee

- Grey
- Pre-shrunk
- Standard fit
- Classic style, heavier weight
- Water-based screenprint
- Printed in the USA

S.....	<b>510-0541</b>	\$21.95
M.....	<b>510-0503</b>	\$21.95
L.....	<b>510-0504</b>	\$21.95
XL.....	<b>510-0505</b>	\$21.95
XXL.....	<b>510-0506</b>	\$21.95
XXXL.....	<b>510-0507</b>	\$21.95



### S&S® Ladies Old School V-Neck Tee

- Black
- Pre-shrunk
- Extremely soft, drapey style
- Water-based screenprint
- Printed in the USA

S.....	<b>510-0538</b>	\$19.95
M.....	<b>510-0523</b>	\$19.95
L.....	<b>510-0524</b>	\$19.95
XL.....	<b>510-0525</b>	\$19.95
XXL.....	<b>510-0526</b>	\$19.95

### S&S® Ladies Flat Track Racerback Tank

- Black
- Pre-shrunk
- Extremely soft, drapey style
- Water-based screenprint
- Printed in the USA

S.....	<b>510-0527</b>	\$23.95
M.....	<b>510-0528</b>	\$23.95
L.....	<b>510-0529</b>	\$23.95
XL.....	<b>510-0530</b>	\$23.95



### S&S® Mechanics Work Shirt

M.....	<b>510-0168</b>	\$44.95
L.....	<b>510-0169</b>	\$44.95
XL.....	<b>510-0170</b>	\$44.95
XXL.....	<b>510-0171</b>	\$44.95
XXXL.....	<b>510-0172</b>	\$44.95

# APPAREL CON'T

## S&S® Ride Fast Knee High Sock

- Black & Blue
- One size fits most
- Durable and breathable
- Ideal for riding

510-0622 \$16.95



## S&S® Ride Fast Crew Sock

- Black & Blue
- One size fits most
- Durable and breathable
- Ideal for riding

510-0621 \$14.95

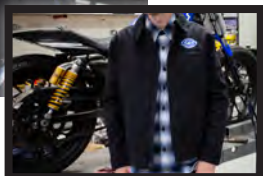


## S&S® Race Socks

- White
- One size fits most
- Durable and breathable
- Ideal for riding

510-0482 \$14.95





### S&S® Shop-Style Jacket with Embroidered Logo

- Canvas shop jacket
- Center zipper with collar
- Crop center with button snap
- Two Slash Pockets with snap buttons
- Left chest pocket
- Pocket on left shoulder
- Inside pocket on left side
- Tapered sleeves
- Side button relief
- Quilted liner

S.....	<b>510-0636</b>	\$99.95
M.....	<b>510-0637</b>	\$99.95
L.....	<b>510-0638</b>	\$99.95
XL.....	<b>510-0639</b>	\$99.95
XXL.....	<b>510-0640</b>	\$99.95

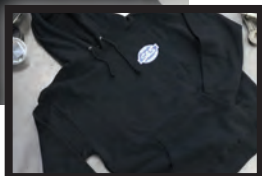


back

### S&S® Windbreaker

- Black
- 100% nylon with waterproof coating  
*(seams may not be waterproof)*
- Antique brass snaps and eyelets
- Hip Length

S.....	<b>510-0550</b>	\$47.95
M.....	<b>510-0551</b>	\$47.95
L.....	<b>510-0552</b>	\$47.95
XL.....	<b>510-0553</b>	\$47.95
XXL.....	<b>510-0554</b>	\$47.95
XXXL.....	<b>510-0555</b>	\$47.95



front

### S&S® Classic Hoodie

- Black
- Standard fit

S.....	<b>510-0544</b>	\$44.95
M.....	<b>510-0545</b>	\$44.95
L.....	<b>510-0546</b>	\$44.95
XL.....	<b>510-0547</b>	\$44.95
XXL.....	<b>510-0548</b>	\$44.95
XXXL.....	<b>510-0549</b>	\$44.95



### S&S® Ride Fast Roper Glove

- Men's classic unlined short cuff MC glove
- Touch tech fingers

S.....	<b>510-0631</b>	\$29.95
M.....	<b>510-0632</b>	\$29.95
L.....	<b>510-0633</b>	\$29.95
XL.....	<b>510-0634</b>	\$29.95
XXL.....	<b>510-0635</b>	\$29.95

# APPAREL CON'T

## S&S® Classic 6 Panel Snapback

- Classic shape
- Premium wool blend
- Matching plastic snap
- Hard buckram
- Classic green undervisor
- 8 rows of stitching on visor

**510-0627** \$19.95



## S&S® Classic Snapback with Camo Visor

- High quality Woodland Camo print on visor
- Black plastic snap
- Hard buckram
- Black undervisor
- 8 rows of stitching on visor

**510-0626** \$19.95



## S&S® Classic 5 Panel Trucker Hat

- Contrast trucker mesh
- Matching plastic snap
- Hard buckram
- Matching undervisor
- 8 rows of stitching on visor

**510-0628** \$19.95



## S&S® Trucker Hat

- Contents: 100% Polyester/100% Nylon
- One Size Fits Most
- Thick, 6 mm sponge backing
- High quality foam trucker cap
- Plastic snap matching with trucker mesh
- Matching undervisor

**510-0563** \$12.95



## S&S® Beanie Hat

- One size fits most

**510-0584** \$12.95



# ACCESSORIES

## 1. S&S® Cycle Logo Patch

3" **510-0194** \$3.95

6" **510-0193** \$5.95

## 2. S&S® Logo 6" Decal

3" **106-4459** \$0.95

6" **510-0195** \$1.95

## 3. S&S® Embossed Aluminum Sign

16.5" x 11"

**510-0192** \$24.95

## 4. S&S® Teardrop Belt Buckle

Polished nickel white metal finish.

**510-0184** \$29.95

## 5. S&S® Spark Plug Gauge Tool

**510-0189** \$3.95



1



2



4



5



3

# OWNER'S MANUALS & INSTRUCTION SHEETS

**OUR OWNER'S MANUALS ARE AVAILABLE FOR FREE DOWNLOAD:**

[www.sscycle.com/tech-info/engine-owners-manuals](http://www.sscycle.com/tech-info/engine-owners-manuals)

**OUR INSTRUCTION SHEETS ARE AVAILABLE FOR FREE DOWNLOAD:**

[www.sscycle.com/tech-info/instructions-data/instruction-sheets](http://www.sscycle.com/tech-info/instructions-data/instruction-sheets)

## FOR THE SHOP

### S&S® LOGO DECAL

3" Blue/White S&S Logo (weatherproof)	<b>106-4459</b>	\$0.95
---------------------------------------	-----------------	--------

### BANNERS

Printed on one side of water resistant reinforced vinyl. Features metal grommets on the top and bottom of hemmed edges for easy display.

#### BANNERS

S&S® Logo (42" x 30")	<b>51-0161</b>	\$25.95
-----------------------	----------------	---------

### S&S® COUNTER MAT

S&S® Counter Mat 26x17	<b>51-0196</b>	\$13.95
------------------------	----------------	---------

### S&S® METAL SIGN

Features the blue S&S logo design. Measures 16" x 24"	<b>51-0194</b>	\$33.95
---	----------------	---------

### S&S® BUSINESS HOURS DECAL

For S&S Dealer windows. Displays business hours. Write-on/wipe off capability.

#### S&S® BUSINESS HOURS DECAL

Blue and white, 6" x 9"	<b>51-0211</b>	\$5.95
-------------------------	----------------	--------



51-0161



51-0211



51-0196

## DEALER STOCKING PARTS KITS

### S&S® DEALER CARB PARTS KIT<sup>±</sup>

Contains replacement parts for S&S Super E and G carbs	<b>11-3103</b>	\$373.95
--	----------------	----------

### S&S® DEALER JET KIT<sup>±</sup>

A complete jetting kit for all S&S Super gasoline carbs	<b>11-3102</b>	\$348.95
---	----------------	----------

<sup>±</sup> ⚠️ WARNING: Cancer and Reproductive Harm – [www.P65Warnings.ca.gov](http://www.P65Warnings.ca.gov)



# WARRANTY & COMPANY POLICY

Company Policy..... 536

Limited Warranty ..... 540

MAP Policy ..... 537

Ordering and Returns .... 538

S&S Video

Usage Policy..... 542

Warranty Service..... 539

## S&S® CYCLE, INC.

14025 CTY HWY G, VIOLA, WI 54664

Phone 608-627-1497 • Fax 608-627-1488

Customer Support e-mail: [sscust@sscycycle.com](mailto:sscust@sscycycle.com)

Technical Support e-mail: [sstech@sscycycle.com](mailto:sstech@sscycycle.com) • Technical Support Direct Phone: 608-627-8324

International Support email: [isales@sscycycle.com](mailto:isales@sscycycle.com) • International Support Direct Phone: 608-627-1508

[www.sscycycle.com](http://www.sscycycle.com)

**PUT YOUR CUSTOMER NUMBER HERE**

### Disclaimer

The names Harley®, Harley-Davidson®, H-D® and all trademarks owned by Harley-Davidson and its affiliated companies, and all H-D and Buell® part numbers and model designations are used for reference only. S&S Cycle is in no way associated with or authorized by Harley-Davidson Motor Co. to manufacture and sell any of the engine parts described in this catalog.

The installation of any S&S part may void or otherwise adversely affect your factory warranty. In addition, such installation and use may violate certain federal, state and local laws, rules and ordinances as well as other laws when used on motor vehicles operated on public highways, especially in states where pollution laws may apply.

Always check federal, state, and local laws before modifying your motorcycle.

It is the sole and exclusive responsibility of the user to determine the suitability of the product for his or her use, and the user shall assume all legal, personal injury risk, and liability and all other obligations, duties and risks associated therewith. S&S parts are intended for the very experienced off-road rider only.

### Sales

S&S parts are obtainable from many distributors and dealerships throughout the world. Please reference our Dealer Locator on the S&S website for an authorized Dealer near you.

In order to receive dealer prices, new customers must complete a Dealer Application through the S&S Customer Support Department.

In order to receive distributor prices, new customers must provide, in addition to all of the dealer requirements listed above, a copy of your dealer catalog and dealer price list for consideration. It is left to S&S' sole discretion as to whom it allows to distribute S&S products.

### Terms

Dealers and Distributors: UPS will no longer allow its drivers to collect cash for COD shipments.

S&S accepts Visa, MasterCard, and American Express

New Dealers and Distributors: For a period of six months following the acceptance of a completed Customer Application form, component orders for all new S&S customers shipped in the continental United States and abroad will be sent COD – payable with a money order or cashier's check at the time of delivery. A refused COD shipment will immediately set the account to prepaid. If customers prefer to avoid COD charges, orders may be prepaid by company check, money order, certified check, wire transfer or credit card. All complete and partial engine assembly orders for new S&S customers shipped in the continental United States and abroad will be sent prepaid by credit card, cashier's check, wire transfer, or money order.

Existing Dealers and Distributors: After six months as an S&S customer, dealers and distributors with a satisfactory payment and performance history may request company check or open account status from their Customer Support representative.

International: Any orders from outside the United States must be prepaid in United States funds. Freight charges may be prepaid by the customer or order may be shipped freight collect. S&S will fax an order acknowledgement that includes the customer's shipping preference each time an order is received. S&S will not place the order until the order acknowledgement form is signed and returned.

Telephone orders are left to S&S' discretion as to whether or not prepayment is required before the order is shipped.

Individuals: S&S requires that parts are purchased through a dealer; S&S will not ship a parts order to a retail customer. Credit card orders for apparel items may be placed online or by telephone.

Service Charges: S&S reserves the right to levy additional charges under the following circumstances:

Insufficient Funds: Any customer that has a check returned to S&S for lack of funds will be charged \$25.00 and will be immediately placed on pre-paid status.

Past Due: Any account that is 30 days past due will be assessed a charge of 1.5% on the balance due for each month the account is in arrears. The account will be put on hold until it is current.

Duplicate Manufacturer's Statement of Origin (MSO): Any customer requesting a duplicate MSO will be charged \$60.00 for each separate MSO required. Please be aware that a sworn affidavit must be completed and submitted to S&S before the duplicate MSO can be prepared.

**NOTE:**  
Distributors are authorized to sell to dealers only. Retail sales are prohibited.



# MINIMUM ADVERTISED PRICE (MAP) POLICY

S&S Cycle will issue printed price lists indicating Manufacturer's Suggested Retail Pricing (MSRP) and maintain a current listing with effective date of MSRP on its internet website which can be amended at any time by S&S Cycle at its sole discretion. Any priced advertisement in any media such as but not limited to internet or similar electronic media, radio, television, flyers, posters, catalogs, mail order catalogs, magazines, e-mail newsletters, e-mail solicitations, coupons, mailers, inserts, newspapers, and public signage must be not less than the current MSRP as indicated on the printed price list or S&S internet website. Any pricing advertised that does not match or exceed that shown on the current printed price list or MSRP list on the S&S Cycle website will be a violation of this MAP policy and subject to enforcement procedures as identified later in this document.

Sales of any S&S products listed on the current price list through third party retailing (such as eBay and Amazon) is allowed providing the listed price is not below MSRP.

This MAP Policy applies only to advertised prices and does not apply to the actual price that S&S Cycle products are sold or offered for sale to an individual consumer within Reseller's location or over the telephone. Resellers are free to sell S&S Cycle products at any price they choose under these circumstances.

The inclusion in advertising of any free or discounted products with a product covered by this MAP Policy would be contrary to this MAP Policy if it has the effect of discounting the advertised price of the included S&S Cycle product below current MSRP as indicated on the S&S Cycle internet website or printed price list.

This MAP Policy does not establish maximum advertised prices. Resellers may offer S&S Cycle products at any price in excess of current MSRP.

Pricing listed on an internet site is considered an "advertised price" and must adhere to this MAP Policy. Once the pricing is associated with an intent to purchase (adding to shopping cart or order), the price becomes the selling price and is not bound by this MAP Policy. Statements such as "add to basket to see price," "we will match any price," "call for price," or similar phrases are acceptable as long as the price advertised or listed for the products is not below current MSRP. In addition, discounts applied at checkout to the customer's entire order based on customers purchasing history with the Reseller, such as discounts for "frequent shoppers," do not violate this MAP Policy.

S&S Cycle reserves the right to offer promotions on certain products. In such an event, we reserve the right to modify or suspend this MAP Policy in whole or in part by notifying all Resellers of the nature and duration of the change. S&S Cycle further reserves the right to adjust the MSRP with respect to all or certain products at its sole discretion. Such changes shall apply equally to all resellers.

## Enforcement Procedures:

S&S has included its MAP Policy Enforcement Procedures in the Dealer Agreement to ensure all dealers signing the "acknowledgement" page is aware of the severity in which S&S will deal with violators of this policy. Any determinations by S&S under these enforcement procedures shall be binding upon the violator.

## First Offense:

Dealer will receive notification of the nature of the violation and will be given thirty (30) calendar days to remove the offending print advertisements from publication and distribution and three (3) business days to remove any offending electronic advertisements from web pages, internet sites, or other electronic media.

## Second Offense:

Dealer will receive a notification and the account will be placed on a non-ship basis for thirty (30) days from the date of notice.

## Third Offense:

Dealer will receive a notification and the account will be placed on a non-ship basis for sixty (60) days from the date of notice. •

## Fourth Offense:

Dealer will receive a notification and the account will be placed on a non-ship basis indefinitely.

The administration of this MAP Policy and any determinations made under it are solely within S&S Cycle's discretion and authority. All questions about this MAP Policy should be in writing and directed via U.S. Mail to the Vice President of Sales, S&S Cycle Inc., 14025 County Highway G, Viola WI 54664. This policy is subject to change at S&S's sole discretion.

## ORDERING AND RETURN POLICY

### Ordering

Orders may be placed online or by telephone or email. Special forms for written orders are not necessary. Special order parts will require payment in full by certified check, credit card or wire transfer before the order is placed, and in most cases a special order form is also required. S&S® requires specific information when ordering parts. Refer to the appropriate section of the catalog that contains the parts you want to order for the required information.

### How To Order By Fax, Mail or Email

Written orders should be mailed to:

S&S Cycle, Inc.  
Customer Support Representative  
14025 Cty. Hwy. G  
Viola, WI 54664

Fax orders should be sent to: 608-627-1488

Email orders should be sent to your Customer Support Representative.

When placing an order by letter, fax, or email, please include the following information:

1. First and Last Name.
2. Customer Number.
3. Company Name.
4. Street Address, City, State, and Zip Code.  
(UPS will not deliver to a post office box.)
5. Phone Number where you can be reached between 8:00 a.m. and 5:00 p.m. Central Standard Time.
6. Shipping Preference. Customer must specify the method of shipment e.g. UPS one-day air, UPS two-day air, UPS ground, Federal Express, Truck, or U.S. Mail.  
NOTE: S&S ships most domestic and international orders via UPS.
7. Year and model of motorcycle for each kit ordered.
8. Information that is helpful in establishing the correct S&S part has been ordered. Examples of information to include are: engine displacement, bore and stroke, cylinder height, and existing modifications to the motor.
9. S&S part number and quantities required.  
NOTE: The customer is responsible for determining & ordering the appropriate part number.
10. Deposit applies only to individual customers or orders for special parts.

### How To Order By Phone

When placing an order by phone please provide the information below:

1. Customer Number.
2. Name of person placing the order.
3. Company Name.
4. Street Address, City, State, and Zip Code. For dealers and distributors, S&S Customer Support Representative will verify current address against our computer listing each time an order is placed.
5. Shipping Preference. Customer will be asked to determine the method of shipment e.g. UPS one-day air, UPS two-day air, UPS ground, Federal Express, Truck, or U.S. Mail.  
NOTE: S&S ships most domestic and international orders via UPS.
6. S&S part numbers and quantities required. NOTE: The customer is responsible for determining and ordering the appropriate part number.
7. Information that is helpful in establishing the correct S&S part has been ordered. Examples of information to have available include: engine displacement, bore and stroke, cylinder height, and existing motor modifications.

### Backorders

Through continual expansion of equipment and facilities, S&S is making an ongoing effort to improve parts availability, however, backorders cannot always be avoided.

Items not in stock at the time the initial order is shipped may be backordered for a period of up to 14 days. The customer may request to hold the backordered parts for a full 30 days or cancel them at an earlier date.

During the backorder period if the customer decides the parts are no longer needed, it is the customer's responsibility to notify S&S that the order should be cancelled.

Shipping charges and restocking fees will be applied to any backorders that are refused in the same way they are applied to other orders that are refused.

### Refused Shipments

Orders that are refused or returned to S&S® for reasons such as insufficient funds or having no one available when the shipment is delivered are subject to a 20% restocking fee. The customer will then be put on Pre-Pay status and remain there for a minimum of 6 months.

Upon review of transactions for that 6 month period, the customer may go back to COD status at the discretion of S&S Cycle, Inc.

In addition, the customer is liable for all shipping charges. Any restocking fees and shipping charges that total \$50.00 or more must be paid before any additional orders will be accepted. Charges below \$50.00 will be added to the customer's next purchase.

### Prices

The prices for all S&S parts are FOB La Crosse, Wisconsin. S&S reserves the right to change prices and/or discounts without notice and to charge the prevailing prices at the time of shipment.

### Special Orders

All special order parts must be paid for in full before the part will be released for production. In addition, the customer must complete special order sheet and sign a copy of the sales order to verify that the specifications are correct. Once production has started, the order may not be cancelled. Special order parts are not returnable if they are machined to the customer's specifications. \* NOTE: Distributors of S&S Cycle, Inc. are not authorized to order Special Order items as this is a Race and Dealer only program.

There are three categories of special order parts:

Level 1: Special Order parts are parts that do not have special attributes that require additional engineering. An example of a level 1 part would be a special racing cylinder with a head bolt pattern that is in common usage and that S&S offers as a standard option.

Level 2: Special Order parts are unique parts that S&S has made in the past and has charged the customer for engineering and programming time on the first order. The original customer may order that part again for the cost of the part plus a small fee for loading the NC program. Any other customer who wants a similar part may either buy it from the original customer or may order it directly from S&S as a level three special order part.

Level 3: Special Order parts are special parts that S&S has never made before. An example of a level 3 part would be a special racing cylinder with a unique head bolt pattern. A customer ordering a level 3 part will be charged for the cost of the part plus any engineering time required to produce machining prints and for NC programming time.

### Special Order Payment

Placement of a special order must include full payment of the total cost of the part and the labor charge to complete the modification. The order will not be released for production until payment is received. Special orders cannot be cancelled or returned. Modification of some standard parts may void the normal S&S Parts Warranty.

### Returns

Shipments must be inspected by the customer immediately upon receipt to insure they are complete and undamaged. If damaged parts are discovered, an immediate claim must be made with the carrier. S&S must be notified within five (5) working days of the receipt of a shipment that has been determined to have shortages or contain incorrect or defective parts. It is advisable to phone S&S as soon as possible as issues can frequently be resolved more quickly over the phone.

The following requirements must be satisfied to receive credit, a refund, or to exchange merchandise.

1. Call S&S to obtain a Return Authorization (RA) number before the parts are returned. The RA number must be visible and clearly written on the container.
2. Return the parts to S&S within 10 days.
3. Package the parts to prevent any damage occurring during shipping. If parts being returned to S&S are damaged in transit because of inadequate packaging, they will be returned to the customer at the customer's expense. Repackaging parts using S&S containers does not always ensure the items are packaged properly. S&S original containers may be reused but good judgment must be applied to determine if additional protection is required.
4. All returns must be sent to S&S insured and prepaid. No CODs will be accepted.
5. All returns must be accompanied by a copy of the original invoice of purchase and a note explaining in sufficient detail the reason for the return. The Return Authorization number must be visible and clearly written on the container and the explanatory note.
6. Under no circumstances are damaged, altered, rusty, used or otherwise un-saleable parts eligible to be returned for credit. S&S will not issue an RA number for anything altered, used, unpackaged or deemed obsolete by S&S. S&S will also not issue an RA for anything invoiced over one year old.

Upon acceptance of the returned parts by S&S under the requirements described above, the customer will be charged a minimum restocking fee equal to 20% of the total value of the parts.

## All returns must be shipped to:

S&S® Cycle Inc.  
322 Causeway Blvd  
La Crosse, Wisconsin 54603

## Shipping

Domestic: S&S will ship most orders via UPS ground and will do so unless the customer requests another method. S&S will not ship by bus line but will ship via Federal Express or Truck at the customer's request.

Pre-Paid Shipping: Pre-payment of shipping charges by dealer allows them to receive S&S shipping rates, resulting in significant savings.

International: Due to high shipping and customs costs, it is recommended that international customers advise S&S of the carrier to be used, especially for a large order.

Orders that must be received quickly can be shipped by UPS-Waybill (three to four-day service) or UPS-Expedite (five to six-day service).

# OBTAINING WARRANTY SERVICE

## What Are The Procedures To Obtain Service Under This Warranty?

To obtain service under this warranty, the original Consumer Purchaser should immediately contact the dealer where the Engine was purchased. The dealer will then contact S&S® Cycle, Incorporated (the "Company") for a determination as to whether the defect in the Engine or part is covered by this warranty.

THE DEALER OR SERVICE PROVIDER MUST RECEIVE AUTHORIZATION FROM THE COMPANY BEFORE PROVIDING SERVICE UNDER THIS WARRANTY.

In the event that the Company determines the Engine or part must be returned to the Company for evaluation or service, the Company will provide the dealer with a Return Authorization Number to put on the shipping container for identification.

The original Consumer Purchaser or dealer must clean and properly package the Engine or part so as not to cause further damage and return the Engine or part, shipping costs prepaid, to the Company. The Return Authorization Number must be clearly visible on the outside of the shipping container. If the Engine or part must be cleaned prior to warranty inspection the cost of cleaning will be charged to the original Consumer Purchaser or dealer.

The original Consumer Purchaser or dealer must also send to the Company a detailed explanation of the relevant facts concerning the nature of the problem, the specific use of the Engine, and the circumstances giving rise to the defect or problem.

If it is not practicable to contact the dealer for warranty service, the original Consumer Purchaser may contact the Company at the following address, telephone number, fax number or e-mail address:

S&S® Cycle, Incorporated  
Attention: Customer Support  
14025 Cty Hwy G  
Viola, Wisconsin 54664  
Phone: 608-627-8324 • Fax: 608-627-1488  
Email: sstech@sscycle.com • Direct Phone: 608-627-TECH (8324)

## How Do State Laws Relate To This Warranty?

This warranty gives you specific legal rights. You may also have other rights that vary from state to state.

## Are There Other Warranties?

THE WARRANTIES STATED IN THIS WARRANTY REPLACE ALL OTHER WARRANTIES, EXPRESS OR IMPLIED, INCLUDING WITHOUT LIMITATION, THOSE OF MERCHANTABILITY AND FITNESS FOR A PARTICULAR PURPOSE, AND ANY OTHER OBLIGATIONS OR LIABILITIES ON THE PART OF THE COMPANY WHETHER IN CONTRACT, WARRANTY, NEGLIGENCE OR OTHERWISE, TO THE EXTENT NOT PROHIBITED BY LAW.

Some states do not allow limitations on how long an implied warranty lasts, so the above limitation may not apply to you.

## What Must The Original Consumer Purchaser Do To Qualify For Warranty Coverage?

Within thirty (30) days after the date of purchase of the Engine, the selling Dealer or Consumer Purchaser must return the completed Warranty Registration Form (included with the engine shipment), along with a copy of the invoice, evidencing such purchase to the Company. Upon receipt of the Owner's Warranty Card Registration Form by the Company, the MSO will be sent to the selling Dealer by the Company. The selling Dealer is responsible for forwarding the original MSO to the Consumer Purchaser. The Owner's Warranty Card will be sent by The Company to the Consumer Purchaser based on the information completed by the Selling Dealer within the returned Owner's Warranty Card Registration Form. The Owner's Warranty Card Registration Form should be returned to the Company at the following address by the selling Dealer:

S&S® Cycle, Incorporated  
Attention: Customer Support  
14025 Cty Hwy G  
Viola, Wisconsin 54664  
Phone: 608-627-8324 • Fax: 608-627-1488  
Email: sstech@sscycle.com  
Direct Phone: 608-627-TECH (8324)

THIS WARRANTY IS VOIDABLE AT THE COMPANY'S OPTION IF THE ORIGINAL SELLING DEALER DOES NOT RETURN TO THE COMPANY THE WARRANTY REGISTRATION FORM AND A COPY OF THE INVOICE WITHIN THIRTY (30) DAYS FROM THE DATE OF PURCHASE OF THE ENGINE.

# LIMITED WARRANTY FOR COMPLETE FACTORY-ASSEMBLED ENGINES

## Limited Warranty

S&S Cycle, Inc. (the "Company") warrants to the original purchaser that each new product manufactured and assembled by the Company will be free, under normal use and maintenance, from significant manufacturing defects in materials and workmanship for two (2) years (KN, SB100, and T143 Engines one (1) year limited warranty), subject to the following exceptions, exclusions, obligations, and limitations. All warranty periods shall begin from the date of purchase by the original retail customer or one year from date of manufacture, whichever comes first.

## Exceptions/Exclusions

The foregoing limited warranty is not assignable or transferrable and shall not apply: (1) to any engine, part, or component that is used for other than the intended commercial purpose (including, without limitation, any racing or similar competitive activities or where competition applications, such as a turbocharger, supercharger, or nitrous oxide is used with the engine); (2) where the engine, part, or component has been subject to misuse, negligent use or maintenance, improper storage or shipping, old or contaminated fuel left within the fuel systems, operation without adequate cooling or lubricants, or a failure to operate or maintain in accordance with the specifications published by the Company; (3) where the engine, part, or component has been involved in an accident, or has been altered in any way which, in the sole judgment of the Company, adversely affects performance, safety, structural integrity, or reliability; (4) to any engine, part, or component manufactured or furnished by a third party; (5) where any engine, part, or component is (i) assembled by the Company in accordance with the purchaser's specifications or (ii) used in conjunction with or otherwise attached to a part or component manufactured by a third party and with respect to which the Company has not pre-tested and approved the structural integrity, application, and use of such fully-assembled product; (6) to defects or damage caused by the user failing to cease operation of the engine, part, or component as soon as the defect is identified or suspected, or where the engine, part, or component has been used in vehicles for demonstration or development purposes; or (7) to normal wear and tear or to parts or components consumed/expended in the normal operation of the engine (including, without limitation, oil, fuel, spark plugs, lubricants, oil filters, air filters, or fuel filters). This limited warranty shall not apply to any defects in the engine, part, or components powder coat or chrome finish, when that option is selected, if the defects arise from or are caused by negligence of parties other than the Company, an accident, ordinary wear and tear, assembly or disassembly, power washing, natural occurrences (such as stone chips or salt and other substances used on streets and highways), bead blasting, improper maintenance including the use of any harsh cleaning agent, chemical solvent, or solvent. This limited warranty does not cover inconvenience or loss of use of the engine, part, or component, routine maintenance services or adjustments, or the cost of labor to remove, install, or service the engine, part, or component or any part contained therein. This limited warranty covers engine, part, or component and/or workmanship issues only, and not the equipment to which the engine, part, or component may be mounted or attached.

## Remedies

As to valid warranty claims against the Company, the original purchaser's sole and exclusive remedy, and the Company's sole and exclusive obligation under this limited warranty, shall be, at the Company's option, replacement or repair of such defective engine, part, or component. The original purchaser shall notify the Company within ten (10) days after discovery of the alleged defect specifying in detail the nature of the defect. Failure to provide written notice within the ten (10) day period shall constitute a waiver of such warranty claim. Where warranty rights are claimed, all goods claimed to be defective shall be delivered to the Company with transportation charges prepaid, and the original purchaser's copy of the original invoice must be provided to the Company as evidence of the date of purchase.

## Disclaimer/Limitation of Liability

EXCEPT AS SPECIFICALLY SET FORTH ABOVE, NO EXPRESS WARRANTY IS GIVEN BY THE COMPANY WITH RESPECT TO ANY ENGINES, PARTS, OR COMPONENTS. ANY WARRANTY IMPLIED BY LAW, INCLUDING ANY WARRANTY OF MERCHANTABILITY OR FITNESS FOR A PARTICULAR PURPOSE, IS EXPRESSLY LIMITED TO THE DURATION OF THE LIMITED WARRANTY SET FORTH ABOVE. THE COMPANY MAKES NO OTHER EXPRESS WARRANTY. THE COMPANY SHALL NOT BE LIABLE FOR ANY SPECIAL, INDIRECT, INCIDENTAL, OR CONSEQUENTIAL DAMAGES OF ANY KIND OR NATURE.

Some states and countries do not allow limitations on how long an implied warranty lasts, or the exclusion or limitation of incidental or consequential damages, so the above limitation or exclusion may not apply to you, and you may have other rights which vary from state to state.

# LIMITED WARRANTY STANDARD PARTS

## Who Is Covered By This Warranty?

This warranty covers only the original Consumer Purchaser of these parts and is not transferable.

## What Does This Warranty Cover?

S&S® Cycle, Incorporated (the "Company") warrants these parts to be free from defects in material and workmanship. If the parts become defective during the warranty coverage period, the Company will, at its option, repair or replace any, or all, defective parts. Repair or replacement of defective parts is the sole and exclusive remedy.

## How Long Is The Warranty Coverage?

With the exception of electrical and electronic components, the warranty coverage remains in force for a period of twelve (12) months from the date that the original Consumer Purchaser buys the parts. Electrical and electronic components are covered by a warranty duration of six (6) months. However, warranty coverage will automatically terminate if the original Purchaser sells or otherwise transfers all or any portion of the purchased parts.

## What Is Not Covered By This Warranty?

The Company shall not pay or be responsible for the cost of shipping the defective parts to the Company for service under this warranty, nor will the Company pay for the cost of labor to remove and/or replace the defective parts.

Moreover, the Company shall have no obligation under this warranty in the event that the parts become defective in whole or in part as a result of improper assembly, installation, break-in, maintenance, or use, or any other misuse or mistreatment of the parts, including, without limitation, operation of the parts with fuels, oils or lubricants not conforming to specifications published by the Company or continued operation of the parts after a defect or malfunction occurs or is identified or suspected.

The Company shall have no obligation under this warranty for defects in parts with a powdercoat finish, when that option is selected, if the defects are caused by, but not limited to, negligence of parties other than the Company; an accident; ordinary wear and tear; assembly or disassembly; power washing; natural occurrences like stone chips; bead blasting; improper maintenance including the use of any harsh cleaning agent, chemical or solvent; and salt or other substances used on streets and highways for maintenance and safety.

The Company provides touch-up paint with powdercoated parts. It is the customer's responsibility to repair minor finish damage to prevent or inhibit further deterioration.

It is the responsibility of the original Consumer Purchaser to cease operation as soon as a defect or malfunction is identified or suspected. The failure to cease operation once a defect or malfunction exists can cause substantial damage to the Company's parts that could otherwise be avoided.

In addition, the Company shall have no obligation under this warranty for parts defects caused by alteration including, but not limited to, polishing; powdercoating; painting; removing or reconfiguring any components; modification, repair, or unauthorized service.

The Company shall have no obligation under this warranty if the parts are used in racing or similar competitive activities. The Company shall have no obligation under this warranty when a competition application, including but not limited to a turbocharger, supercharger or nitrous oxide, is used with the Engine. Further, the Company shall have no obligation under this warranty for any parts that are included in a Competition Package Option offered by the Company since the Package is for use in racing and similar competitive activities.

THE COMPANY SHALL NOT BE LIABLE FOR AND DISCLAIMS ALL CONSEQUENTIAL, INCIDENTAL, PUNITIVE OR SPECIAL DAMAGES ARISING OUT OF THE USE OF, OR INABILITY TO USE, THESE PARTS.

Some states do not allow the exclusion or limitation of incidental or consequential damages, so the above exclusion may not apply to you.

# VIDEO USAGE POLICY

## Overview

S&S owns all copyright and other intellectual property rights in the videos it produces or distributes. However, S&S customers are welcome to use and share S&S videos within these guidelines provided.

## Permissible uses

- Videos may only be used for non-commercial purposes or to promote the use or sale of S&S products.
- Videos may be embedded in external websites using video hosting service supplied embed (iframe) code.
- Videos can be added to a customer video hosting service account via playlists while still maintaining original exclusivity of uploaded videos by S&S.
- Reposting or uploading of S&S content is only permissible with written consent from S&S Cycle.
  - If consent is granted to repost/re-upload S&S content, customers may add annotations using functionality provided by video hosting services. This may include the customer's contact and ordering information which would be subject to approval by S&S to ensure branding is intact, prior to making it public. The video itself must remain unaltered.
  - S&S requires that at the beginning of each month, a report of view statistics per video be supplied to S&S.
- Links (url) to S&S YouTube™ channel or individual YouTube™ videos may be provided and shared by the customer via email, blog, website, social networks, or printed material.

## Non Permissible Uses

- Customers may not upload or repost any copyrighted materials owned by S&S to another video hosting service account or any website without written consent from S&S.
- Customers may not alter or modify any copyrighted materials owned by S&S.
- Videos may not be used in any way that is likely to disparage, dilute, tarnish, or otherwise harm the S&S brand.

## Termination of License

Through this Video Usage Policy, S&S is granting its customers a limited, revocable license to display or link to its videos. S&S may, at any time, and at its sole discretion, terminate this license, at which point any copying or display of its videos will be prohibited, unless otherwise specified in writing.

# APPENDIX & INDEX

## **Appendix**

Identification of flywheels ..... 544

Ordering S&S Manifolds ..... 545

Year codes ..... 546

Custom head bolt length..... 547

**Index.....548**



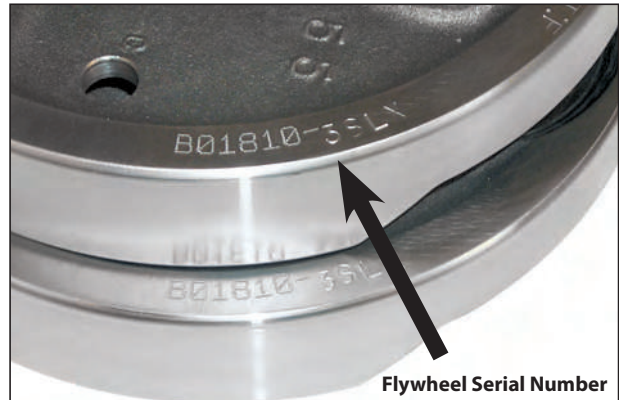
# IDENTIFICATION OF FLYWHEELS

S&S® flywheels are manufactured in sets only. We do not sell individual right or left flywheels, nor do we recommend mixing flywheels. This is because the manufacturing techniques and/or tooling changes periodically. To prevent mixing flywheels, as well as to identify each set, the right and left flywheels are stamped with identical serial numbers (see picture).

## Serial Number Identification Information

Serial Number ID, B01810-3SLX, deciphered as follows:

- (B01810)** Serial Number: From this number, S&S can determine when the flywheels were made and sold, to whom they were sold, and how the flywheels were originally balanced
- (3)** Stroke Code: Determines the stroke of the flywheels. In this case the stroke is 4¾"
- (SL)** Year Code: The year of the engine the flywheels were machined to fit and that the flywheels were machined to accept an S&S design sprocket shaft
- (X)** Diameter Code: Diameter of the flywheels. In this case the diameter is 8¼"

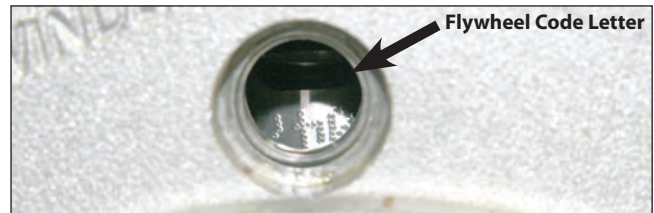


S&S® FLYWHEEL IDENTIFICATION CODES FOR 1936–UP BIG TWIN								
Stroke Code	Stroke	Year Code	Engine Year	Sprocket Shaft	Pinion Shaft	Crankpin Type	Diameter Code	Flywheel Diameter
1	4¾"	E	1936–'54	Stock	Stock	1941–'81	None	8½" (Stock)
2	4½"	L	1955–'71	Stock	Stock	1941–'81	A	8⅜"
3	4¾"	AL	1972–Early '81	Stock	Stock	1941–'81	X	8¼"
4	5"	SE	1955–Early '81	S&S	Stock	1941–'81		
5	4¼" (Stock 80")	BL	Late 1981–'99	Stock	Stock	1981–'99		
6	4⅝"	SL	Late 1981–'99	S&S	Stock	1981–'99		
9	Special order	SF	1999–up	Press In	Press In	Press In		
12	5¼"	SG	S&S 4⅞" Bore	Press In	Press In	Press In		
13	3½" (Stock 61")	SM	1995–'99 EFI	Press In	S&S	1981–'99		
14	3⅜½" (Stock 74")	Y	74"/80" Indian®	Stock	Stock	Stock		
16	5½"							
17	4"							
18	3⅝"							
19	4⅞"							
TA	3⅞"							
TB	4450"	Titan Special						

## FLYWHEEL CODES:

Codes that pertain to the most common regular production flywheels have been listed. Many other codes for racing flywheels and special orders also exist. If you have a question about a set of S&S flywheels with codes different than those shown, contact an S&S technical assistant to properly identify what you have.

Flywheel ID codes that end with an "A" or an "X" designate flywheels with a smaller than stock diameter. Stock big twin flywheels measure 8½", and stock flywheels for Harley-Davidson® Sportster® models are 7⅞" in diameter. Typically, "A" means ⅛" smaller, and "X" means ¼" smaller. To verify the code, it is best to measure the flywheels.



Serial numbers can be seen through the timing hole to identify the stroke of an assembled engine. Keep in mind they will appear upside down in the hole.

S&S® FLYWHEEL IDENTIFICATION CODES FOR HARLEY-DAVIDSON® SPORTSTER® & BUELL® MODELS									
Stroke Code	Stroke	Year Code	Engine Year	Sprocket Shaft	Pinion Shaft	Crankpin Type	Rod Bearing Type	Diameter Code	Flywheel Diameter
1	4⅞"	None	1957–'76	Stock	Stock	Stock	Stock	None	7⅞" (Stock)
2	4⅜"	B	1957–Early '81	Stock	Stock	Stock	Stock	A	7¾"
3	4⅝"	SB	1957–Early '81	S&S	Stock	Stock	Stock	X	7⅝"
4	4⅞"	BD	1957–Early '81	Stock		Stock	Stock		
6	4⅝"	SBD	1977–Early '81	S&S		Stock	Stock		
7	4⅜"	C*	Late 1981–'85	Stock	Stock	Stock	Stock		
8	5"	SC	Late 1981–'85	S&S	Stock	Stock	Stock		
9	Special Order	SCD	Late 1981–'85	S&S		Stock	Stock		
11	4½"	SCR	Late 1981–'85	S&S	Stock	Stock	1987–Up		
12	5¼"	SCDR	Late 1981–'85	S&S		Stock	1987–Up		
15	3⅜"	D	Late 1986–'03	S&S	S&S	S&S	S&S		
16	5⅞"	DR	Late 1986–'03	S&S	S&S	S&S	1987–Up		
17	4"	PS	S&S Prostock	Press In	Press In	Press In			
18	3⅝"	KRS	45" WR/KR	Stock	Stock	1957–'81 XL	1957–'81 XL		
19	4⅞"	YS	45" Indian	Stock	Stock	Stock	Stock		

\* Obsolete – S&S no longer makes this design



# ORDERING S&S<sup>®</sup> MANIFOLDS

We make one style of manifolds for both Harley-Davidson<sup>®</sup> Evolution<sup>®</sup> and Twin Cam 88<sup>®</sup> engines to fit stock cylinder heads and S&S cylinder heads—meaning manifolds supplied in S&S carburetor kits can be used with stock or S&S Super Stock<sup>®</sup> cylinder heads. The only thing that you have to keep in mind is that due to the slightly larger port diameter, these manifolds must be used with S&S manifold seals.

## Replacement & Special Order Intake Manifolds

**Stock, S&S Engine or S&S Kit:** To order a replacement manifold, refer to the manifold size chart for your particular engine type. Manifolds are listed for various sized carburetors and throttle bodies in the correct lengths for engines and kits offered by S&S.

**Custom Engine:** If the effective cylinder length is different from the standard offerings, a special manifold can be machined to your specifications. Order manifolds using the special order part numbers listed in the charts. Allow two weeks for delivery.

## Specifying Manifold Length

When ordering a special manifold, specify the length of the manifold required for your application. There are several methods to specify the length of a manifold:

### Port-To-Port Distance: S&S Manifold Measuring Tools

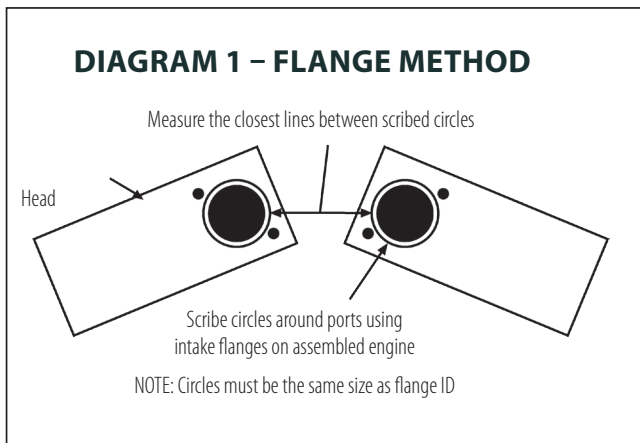
The most accurate method for specifying length for a special order manifold:

- Use the S&S Manifold Measuring Tools to measure port-to-center to port-to-center distance on an engine or an existing manifold.
- Specify whether the measurement was from an engine or from an existing manifold. (Manifold measurements will be approximately 0.30" shorter than engine measurements due to clearance normally built into the manifold).

### Port-To-Port Distance: Flange Method

Another accurate method of specifying manifold length for special order is to measure the port-to-port distance on an assembled or mock-up engine :

- Assemble or mock-up the engine & install the intake flanges on heads
- Scribe a circle around the port using the mounting flange as a template. The circle must be the same size as the ID of the flange. (It is recommended that front flange be installed upside down on the rear head and vice versa, to avoid inaccuracy in the circle diameter).
- Remove the flanges and measure the shortest distance between the scribed circles. See Diagram 1.



## Effective Cylinder Length

Ordering a special manifold by effective cylinder length is commonly used since it does not require any special tools, however, this method will not account for machining inaccuracy in the cases or heads.

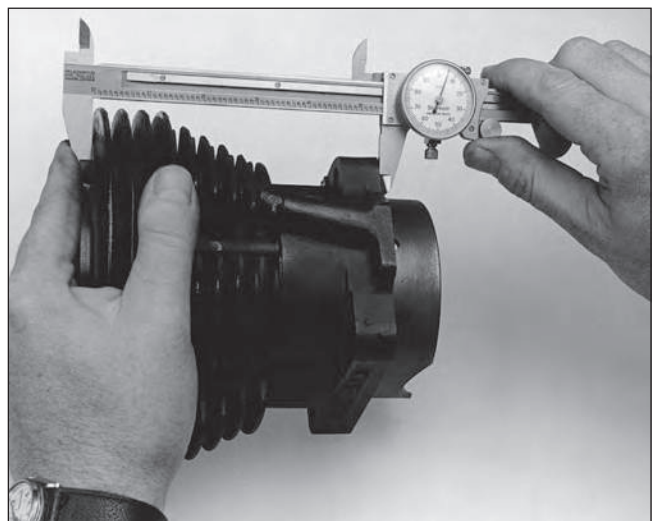
- Measure the cylinder length from gasket-surface to gasket-surface without the head and base gaskets in place. (A precision measuring instrument, such as a dial caliper, should be used to insure accurate results).
- If all components except the cylinder are stock, the actual cylinder length and the effective cylinder length are equal. However, if base plates will be used under the cylinders or if the crankcase deck height is taller than stock, the thickness of the base plates and any extra base gaskets, or the change in deck height must be added to the cylinder length to determine the effective cylinder length.
- If the cylinder heads have been decked to increase compression, the amount they have been shortened must be subtracted from the effective cylinder length.
- If the effective cylinder length is equal to or no more than 0.30" longer than the cylinder length listed for a specific manifold in a chart, that manifold will fit the engine.
- If the effective cylinder length is significantly different from any manifold that is available, the manifold must be special ordered. (When placing an order for a special manifold by effective cylinder length, you will be asked for actual dimensions of the cylinders and other components. S&S will calculate the effective cylinder length).

## Manifold Size Number

Specifying the length of a special order manifold by size number has proven not to be a reliable method. Many manifolds ordered by this method have proved to be too long because the customer took a size number from a part that had been shortened and no longer matched the original specifications. Manifolds ordered by size number are not returnable because of fitment problems.

## Manifolds For Panhead & Knucklehead Engines

Port-to-port measurement is easy since the ports are parallel to each other. On an assembled or mocked up engine, a measurement from head-to-head on opposite sides of each port should ideally be taken before the head bolts and base nuts are tightened. To insure that the ports are parallel, the heads and cylinders should be positioned so both measurements are equal. A precision measuring instrument, such as a dial caliper, should be used to ensure accurate results.



# YEAR CODES FOR OUR SERIALIZED PRODUCTS

S&S serial numbers begin with the following manufacturing year codes. Year codes coincide with S&S Cycle's fiscal year, which starts on Oct 1st of the previous calendar year. A product with serial number beginning with the letter "A" was manufactured in fiscal year 1978, between 10-01-77 and 09-31-78, or in the fiscal year 2000.

<b>A</b> .....	<b>1978</b>	<b>R</b> .....	<b>1992</b>	<b>I</b> .....	<b>.NOT USED</b>
<b>B</b> .....	<b>1979</b>	<b>S</b> .....	<b>1993</b>	<b>J</b> .....	<b>2008</b>
<b>C</b> .....	<b>1980</b>	<b>T</b> .....	<b>1994</b>	<b>K</b> .....	<b>2009</b>
<b>D</b> .....	<b>1981</b>	<b>U</b> .....	<b>1995</b>	<b>L</b> .....	<b>2010</b>
<b>E</b> .....	<b>1982</b>	<b>V</b> .....	<b>.NOT USED</b>	<b>M</b> .....	<b>2011</b>
<b>F</b> .....	<b>1983</b>	<b>W</b> .....	<b>1996</b>	<b>N</b> .....	<b>2012</b>
<b>G</b> .....	<b>1984</b>	<b>X</b> .....	<b>1997</b>	<b>O</b> .....	<b>.NOT USED</b>
<b>H</b> .....	<b>1985</b>	<b>Y</b> .....	<b>1998</b>	<b>P</b> .....	<b>2013</b>
<b>I</b> .....	<b>.NOT USED</b>	<b>Z</b> .....	<b>1999</b>	<b>Q</b> .....	<b>.NOT USED</b>
<b>J</b> .....	<b>1986</b>	<b>A</b> .....	<b>2000</b>	<b>R</b> .....	<b>2014</b>
<b>K</b> .....	<b>1987</b>	<b>B</b> .....	<b>2001</b>	<b>S</b> .....	<b>2015</b>
<b>L</b> .....	<b>1988</b>	<b>C</b> .....	<b>2002</b>	<b>T</b> .....	<b>2016</b>
<b>M</b> .....	<b>1989</b>	<b>D</b> .....	<b>2003</b>	<b>U</b> .....	<b>2017</b>
<b>N</b> .....	<b>1990</b>	<b>E</b> .....	<b>2004</b>	<b>V</b> .....	<b>.NOT USED</b>
<b>O</b> .....	<b>.NOT USED</b>	<b>F</b> .....	<b>2005</b>	<b>W</b> .....	<b>2018</b>
<b>P</b> .....	<b>1991</b>	<b>G</b> .....	<b>2006</b>		
<b>Q</b> .....	<b>.NOT USED</b>	<b>H</b> .....	<b>2007</b>		

## OLDER S&S® CARBURETOR REPLACEMENT PARTS

When ordering parts for older S&S carburetors, it is necessary to determine the correct style of float, needle and bowl. S&S has used two different mechanisms to connect the float to the inlet needle.

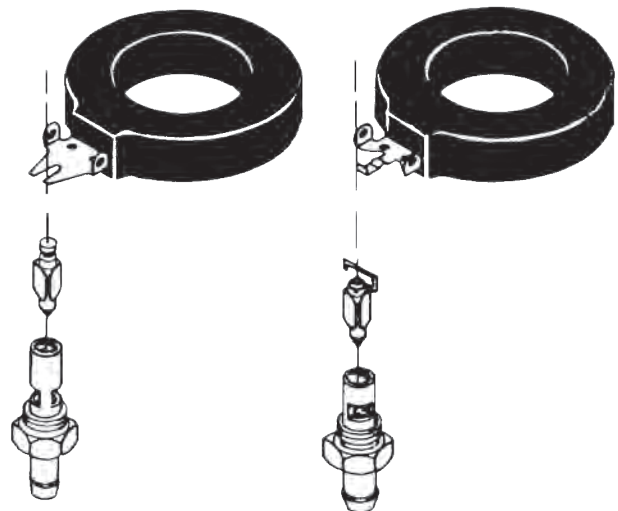
**Forked Mechanism:** Older style that utilizes a forked float tang, which slides into a slot in the top of the needle.

**Wire Mechanism:** Current style that features a needle with a wire hook which attaches to the tang of the float.

Parts of differing styles may not be used together. For example, although the carburetor bowls of the two styles look very similar, they are not interchangeable due to differences in the float retaining pin position. Some parts are no longer available for carbs with forked style mechanisms. If these parts must be replaced, the entire bowl assembly must be replaced with wire mechanism style components.

**FORKED TYPE MECHANISM  
(OBSOLETE)**

**WIRE TYPE MECHANISM**



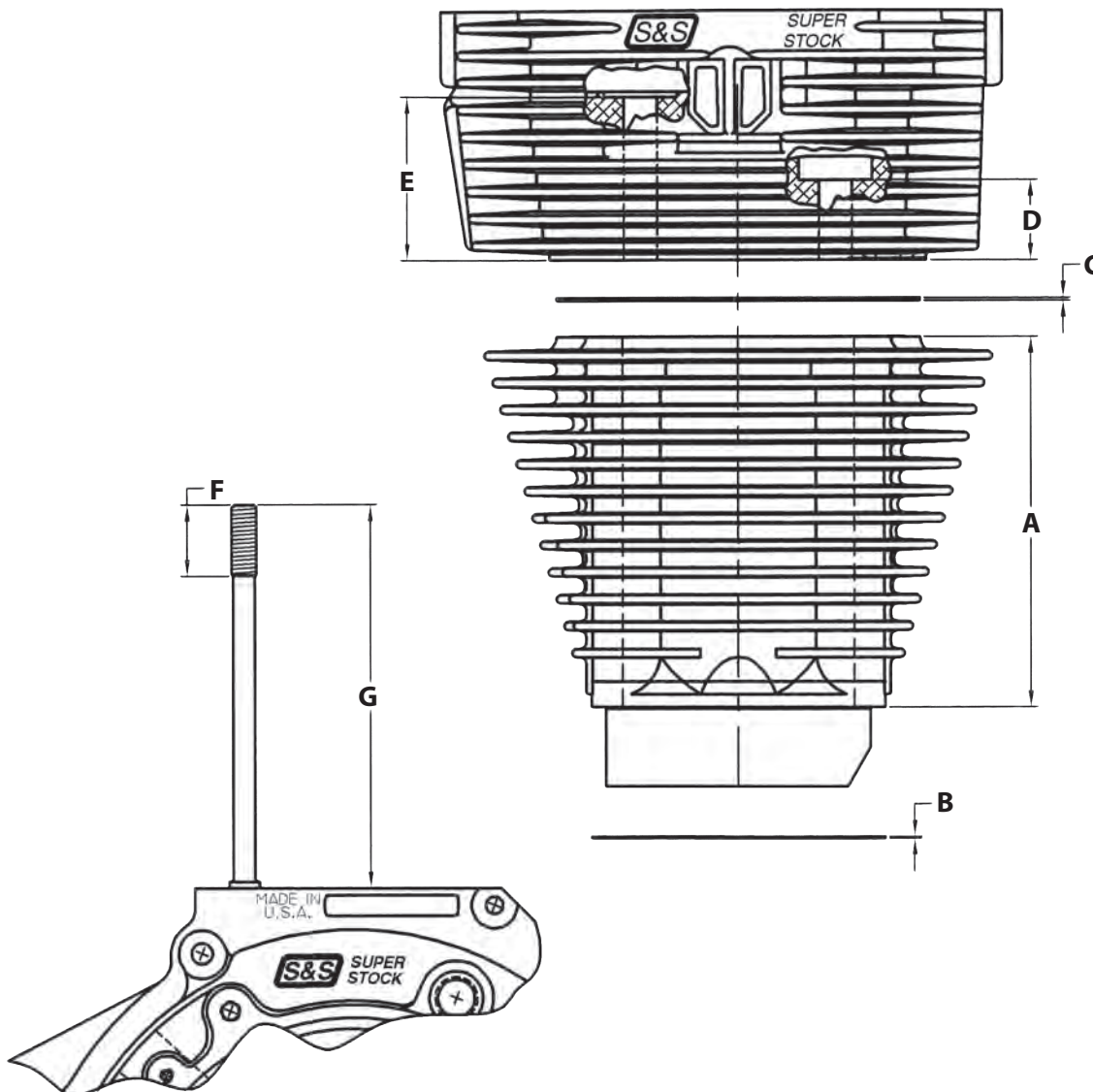
# CALCULATING CUSTOM HEAD BOLT LENGTHS

## Add:

- A**      **Cylinder Length**  
(Gasket surface to gasket surface measurement)
- + B**      **Base Gasket Thickness**
- + C**      **Head Gasket Thickness**
- + D or E**      **Cylinder Head Thickness**  
(Gasket surface to head bolt washer pad measurement):
  - D**    **Short Side**  
All S&S = 1.207"  
Late 1985-'90 Stock = 1.207"  
1991-up Stock = 1.405"
  - E**    **Long Side**  
All S&S = 2.700"  
All Stock = 2.700"
- + F**      **Desired thread engagement .563"**  
Usually 1½ times stud diameter - stock studs are ⅜"

## Subtract:

- G**      **Cylinder Stud Installed Height**  
(Crankcase deck to top of stud measurement)



## A

### AIR CLEANERS

#### AIR CLEANER KIT

2003-2015 VICTORY® MODELS .....	510
REPLACEMENT PARTS FOR 2003-2007 VICTORY MODELS .....	512
REPLACEMENT PARTS FOR 2008-UP VICTORY® MODELS .....	512
2014-2015 INDIAN® MODELS .....	508, 509
REPLACEMENT PARTS .....	511

#### SINGLE BORE TUNED INDUCTION SYSTEM

1984-1999 BIG TWINS .....	323
REPLACEMENT PARTS .....	393
1999-2006 BIG TWINS .....	155
REPLACEMENT PARTS .....	224
2007-2016 BIG TWINS .....	62
REPLACEMENT PARTS .....	130, 131
SPORTSTER® & BUELL® MODELS .....	250
REPLACEMENT PARTS .....	298

#### STEALTH AIR CLEANER KITS

1926-1984 VINTAGE .....	414
REPLACEMENT PARTS .....	504
1984-1999 BIG TWINS .....	320
COVERS .....	249, 321
REPLACEMENT PARTS .....	392
1999-2006 BIG TWINS .....	151, 152, 153
COVERS .....	154, 311
REPLACEMENT PARTS .....	223
2007-2016 BIG TWINS .....	57, 58, 59
ADAPTOR FOR RUSHMORE COVER .....	64
COVERS .....	61
REPLACEMENT PARTS .....	129
S&S® ENGINES .....	60
MILWAUKEE-EIGHT® .....	20, 21
REPLACEMENT PARTS .....	32
SPORTSTER® & BUELL® MODELS .....	246, 247, 248
REPLACEMENT PARTS .....	295
STREET® MODELS .....	309
REPLACEMENT PARTS .....	312
STREET ROD™ .....	310
REPLACEMENT PARTS .....	313

#### STEALTHTWO AIR CLEANER KITS

INDIAN® MODELS .....	508
VICTORY® MODELS .....	508

#### TEARDROP AIR CLEANER KITS

1926-1984 VINTAGE .....	415, 466
REPLACEMENT PARTS .....	502, 503, 505
1984-1999 BIG TWINS .....	322
REPLACEMENT PARTS .....	394, 398
1999-2006 BIG TWINS .....	156
REPLACEMENT PARTS .....	230
2007-2016 BIG TWINS .....	63
REPLACEMENT PARTS .....	132-133
SPORTSTER® & BUELL® MODELS .....	251
REPLACEMENT PARTS .....	300, 302

### AIR FILTER

#### HIGH FLOW AIR FILTER KIT

1984-1999 BIG TWINS .....	324
1999-2006 BIG TWINS .....	157
2007-2016 BIG TWINS .....	64
SPORTSTER® & BUELL® MODELS .....	252

#### PRE-FILTERS

1984-1999 BIG TWINS .....	324
1999-2006 BIG TWINS .....	157
2007-2016 BIG TWINS .....	64
SPORTSTER® & BUELL® MODELS .....	252

#### STANDARD REPLACEMENT FILTERS

1984-1999 BIG TWINS .....	324
1999-2006 BIG TWINS .....	157
2007-2016 BIG TWINS .....	64
SPORTSTER® & BUELL® MODELS .....	252

### APPAREL

APPAREL .....	528
---------------	-----

## B

### BEARINGS

#### INNER PRIMARY BEARING RACE

1984-1999 BIG TWINS .....	368
1999-2006 BIG TWINS .....	201
2007-2016 BIG TWINS .....	106

### BREATHER GEARS

#### STEEL ROTARY BREATHER GEAR

1926-1984 VINTAGE .....	439
1984-1999 BIG TWINS .....	342

### BREATHER REED VALVES

#### CRANKCASE BREATHER REED VALVES

1984-1999 BIG TWINS .....	342
1999-2006 BIG TWINS .....	168
REPLACEMENT PARTS .....	236
2007-2016 BIG TWINS .....	75

## C

### CAM PLATES

1999-2006 BIG TWINS .....	170
REPLACEMENT PARTS .....	212
2007-2016 BIG TWINS .....	77
REPLACEMENT PARTS .....	119
MILWAUKEE-EIGHT® .....	26
REPLACEMENT PARTS .....	45

### CAMSHAFTS

#### CAM CHEST UPGRADES

1999-2006 BIG TWINS .....	180
2007-2016 BIG TWINS .....	88

#### CAM RELATED REPAIR PARTS

1999-2006 BIG TWINS .....	179
2007-2016 BIG TWINS .....	87

#### CAMSHAFTS

1926-1984 VINTAGE .....	434, 435, 436
1984-1999 BIG TWINS .....	349
1999-2006 BIG TWINS .....	176
2007-2016 BIG TWINS .....	84
SPORTSTER® & BUELL® MODELS .....	266

#### CHAIN DRIVE CAM KITS

1999-2006 BIG TWINS .....	179
2007-2016 BIG TWINS .....	87
MILWAUKEE-EIGHT® .....	27

<b>GEAR DRIVE CAM KITS</b>	
1999-2006 BIG TWINS.....	178
<i>FOR USE WITH S&amp;S® GEAR OIL PUMP</i> .....	171
2007-2016 BIG TWINS .....	86
<i>FOR USE WITH S&amp;S® GEAR OIL PUMP</i> .....	78
MILWAUKEE-EIGHT® .....	27
<b>HYDRAULIC CAM CHAIN TENSIONER KIT</b>	
1991-2006 BIG TWINS.....	180
2007-2016 BIG TWINS .....	88
<b>CARBURETOR KITS</b>	
<b>AIR HORNS &amp; AIR HORN CONVERSION KITS</b>	
1926-1984 VINTAGE .....	466
<b>BLACK CARBURETORS</b>	
1926-1984 VINTAGE .....	468
1984-1999 BIG TWINS.....	362
1999-2006 BIG TWINS.....	194
SPORTSTER® & BUELL® MODELS .....	281
<b>BREATHER CONVERSION KIT</b>	
SPORTSTER® & BUELL® MODELS .....	281
<b>EARLY STYLE GAS &amp; FUEL CARBURETORS</b>	
1926-1984 VINTAGE .....	
<i>REPLACEMENT PARTS</i> .....	501
<b>JETS &amp; CARB REBUILD KITS</b>	
1926-1984 VINTAGE .....	469
1984-1999 BIG TWINS.....	197, 364
1999-2006 BIG TWINS.....	197
SPORTSTER® & BUELL® MODELS .....	283
<b>L-SERIES GAL&amp; GBL GAS CARBURETORS</b>	
1926-1984 VINTAGE .....	
<i>REPLACEMENT PARTS</i> .....	500
OLDER S&S® CARBURETOR REPLACEMENT KITS .....	546
<b>RIGID CARB SUPPORT BRACKETS</b>	
SPORTSTER® & BUELL® MODELS .....	281
<b>SUPER B CARBURETOR KITS</b>	
1926-1984 VINTAGE .....	
<i>REPLACEMENT PARTS</i> .....	495
<b>SUPER E &amp; G COMPLETE CARBURETOR KITS</b>	
1926-1984 VINTAGE .....	467
<i>REPLACEMENT PARTS</i> .....	496
1984-1999 BIG TWINS.....	362
<i>REPLACEMENT PARTS</i> .....	404
1999-2006 BIG TWINS.....	195
<i>REPLACEMENT PARTS</i> .....	234
SPORTSTER® & BUELL® MODELS .....	280
<i>REPLACEMENT PARTS</i> .....	304
<b>CIRCUIT BREAKER DRIVE GEARS</b>	
<b>CIRCUIT BREAKER DRIVE GEARS</b>	
1926-1984 VINTAGE .....	442
<b>CLUTCH</b>	
<b>HEAVY DUTY DIAPHRAGM SPRING</b>	
1999-2006 BIG TWINS.....	202
2007-2016 BIG TWINS .....	106
<b>HIGH PERFORMANCE CLUTCH</b>	
1984-1999 BIG TWINS .....	
<i>REPLACEMENT PARTS</i> .....	412
1999-2006 BIG TWINS .....	
<i>REPLACEMENT PARTS</i> .....	237
<b>VARIABLE PRESSURE CLUTCH</b>	
1999-2006 BIG TWINS.....	202
2007-2016 BIG TWINS .....	106

**CRANKCASES**

<b>2 CAM V-SERIES CRANKCASE</b>	
1984-1999 BIG TWINS .....	
<i>REPLACEMENT PARTS</i> .....	374
<b>CRANKCASE BREATHER REED VALVES</b>	
1999-2006 BIG TWINS.....	168
<i>REPLACEMENT PARTS</i> .....	236
2007-2016 BIG TWINS .....	75
<b>CRANKCASES</b>	
1999-2006 BIG TWINS.....	167
<i>REPLACEMENT PARTS</i> .....	208
SPORTSTER® & BUELL® MODELS.....	260
<i>REPLACEMENT PARTS</i> .....	290
<b>SHORT BLOCK ASSEMBLIES</b>	
1984-1999 BIG TWINS.....	337
<b>SPECIAL APPLICATION BIG BORE CRANKCASES</b>	
1984-1999 BIG TWINS.....	339
<i>REPLACEMENT PARTS</i> .....	378
<b>SUPER STOCK® ALTERNATOR STYLE CRANKCASE</b>	
1926-1984 VINTAGE .....	428
<i>REPLACEMENT PARTS</i> .....	478
1984-1999 BIG TWINS.....	338
<i>REPLACEMENT PARTS</i> .....	376
<b>SUPER STOCK® GENERATOR STYLE CRANKCASE</b>	
1926-1984 VINTAGE .....	427
<i>REPLACEMENT PARTS</i> .....	480
<b>SUPER STOCK™ T2 CRANKCASE</b>	
2007-2016 BIG TWINS .....	75
<i>REPLACEMENT PARTS</i> .....	114
<b>TOOLS</b>	
CRANKCASE OIL PASSAGE DRILLING JIG.....	522
<b>CYLINDER HEADS</b>	
<b>ALUMINUM CYLINDER HEADS FOR FLATHEAD SIDE VALVE ENGINES</b>	
1926-1984 VINTAGE .....	450
B2 HEADS WITH STOCK BOLT PATTERN.....	95, 187
1999-2006 BIG TWINS.....	187
<i>REPLACEMENT PARTS</i> .....	216
2007-2016 BIG TWINS .....	95
<i>REPLACEMENT PARTS</i> .....	122
<b>B3 CYLINDER HEADS</b>	
1999-2006 BIG TWINS .....	
<i>REPLACEMENT PARTS</i> .....	217
2007-2016 BIG TWINS .....	
<i>REPLACEMENT PARTS</i> .....	121
<b>CNC PORTED CYLINDER HEAD SERVICE</b>	
1999-2006 BIG TWINS.....	186
2007-2016 BIG TWINS .....	98
SPORTSTER® & BUELL® MODELS .....	275
CYLINDER BASE NUTS & STUDS.....	451
<b>CYLINDER HEAD AND MOTOR MOUNTS</b>	
1926-1984 VINTAGE .....	451
SPORTSTER® & BUELL® MODELS.....	278
<b>CYLINDER HEADS FOR 1940-'47 OHV</b>	
1926-1984 VINTAGE .....	450
<b>HEAD BOLTS WITH WASHERS</b>	
1926-1984 VINTAGE .....	451
1984-1999 BIG TWINS.....	358
1999-2006 BIG TWINS.....	190
2007-2016 BIG TWINS .....	99
SPORTSTER® & BUELL® MODELS.....	278

## PERFORMANCE REPLACEMENT CYLINDER HEADS

1926-1984 VINTAGE .....	449
<i>REPLACEMENT PARTS</i> .....	490, 492
1984-1999 BIG TWINS .....	356
<i>REPLACEMENT PARTS</i> .....	386

## SUPER STOCK® CYLINDER HEADS

1926-1984 VINTAGE .....	449
<i>REPLACEMENT PARTS</i> .....	488
1984-1999 BIG TWINS .....	356, 357
<i>REPLACEMENT PARTS</i> .....	387, 388
1999-2006 BIG TWINS .....	188
<i>REPLACEMENT PARTS</i> .....	218
2007-2016 BIG TWINS .....	96
<i>REPLACEMENT PARTS</i> .....	124
SPORTSTER® & BUELL® MODELS .....	276, 277
<i>REPLACEMENT PARTS</i> .....	292

## CYLINDERS & PISTONS

### CYLINDERS

1926-1984 VINTAGE .....	444
1984-1999 BIG TWINS .....	346
1999-2006 BIG TWINS .....	173
2007-2016 BIG TWINS .....	80
MILWAUKEE-EIGHT® .....	23
SPORTSTER® & BUELL® MODELS .....	264

### CYLINDERS & PISTON KITS

1926-1984 VINTAGE .....	443, 444
1984-1999 BIG TWINS .....	344
1999-2006 BIG TWINS .....	172, 173
2007-2016 BIG TWINS .....	79
SPORTSTER® & BUELL® MODELS .....	262, 263

## D

### DRIVE BELTS

#### GATES® HIGH STRENGTH FINAL DRIVE BELTS

1984-1999 BIG TWINS .....	368
1999-2006 BIG TWINS .....	203
2007-2016 BIG TWINS .....	107

## E

### ELECTRONICS

#### COMPRESSION RELEASE

1984-1999 BIG TWINS .....	366
1999-2006 BIG TWINS .....	199
2007-2016 BIG TWINS .....	104

#### ELECTRONIC TIMERS

1929-1984 VINTAGE .....	463
-------------------------	-----

#### HI-4N PERFORMANCE IGNITION

1926-1984 VINTAGE .....	472
1984-1999 BIG TWINS .....	367

#### HIGH OUTPUT COILS

1984-1999 BIG TWINS .....	366
1999-2006 BIG TWIN .....	201
SPORTSTER® & BUELL® MODELS .....	286

#### SUPER STOCK IGNITIONS

1926-1984 VINTAGE .....	472
1984-1999 BIG TWINS .....	367

#### UNIVERSAL WIRING HARNESS

1999-2006 BIG TWINS .....	199
---------------------------	-----

## ENGINES

### 49-STATE EPA ENGINES

1984-1999 BIG TWINS .....	335
---------------------------	-----

### 50-STATE LEGAL ENGINES

1984-1999 BIG TWINS .....	336
---------------------------	-----

### ENGINE OVERVIEW

1926-1984 VINTAGE .....	422
1984-1999 BIG TWINS .....	330
1999-2006 BIG TWINS .....	164
2007-2017 BIG TWINS .....	72

### ENGINE STANDS

.....	526
-------	-----

### KN-SERIES

1926-1984 VINTAGE .....	426
-------------------------	-----

### P-SERIES ENGINES

1926-1984 VINTAGE .....	425
-------------------------	-----

### SB100 ENGINES

.....	259
-------	-----

SPORTSTER® & BUELL® MODELS .....	259
----------------------------------	-----

### SH-SERIES ENGINES

1926-1984 VINTAGE .....	423, 424
-------------------------	----------

### T143 ENGINES

1999-2006 BIG TWINS .....	165
---------------------------	-----

2007-2015 BIG TWINS .....	73
---------------------------	----

### T-SERIES LONG BLOCK ENGINES

.....	166
-------	-----

1999-2006 BIG TWINS .....	166
---------------------------	-----

### T-SERIES T2 LONG BLOCK ENGINES

.....	74
-------	----

2007-2016 BIG TWINS .....	74
---------------------------	----

### V80 ENGINES

1984-1999 BIG TWINS .....	333
---------------------------	-----

### V96 ENGINES

1984-1999 BIG TWINS .....	333
---------------------------	-----

### V111 ENGINES

1984-1999 BIG TWINS .....	332
---------------------------	-----

### V124 ENGINES

1984-1999 BIG TWINS .....	331
---------------------------	-----

### V-SERIES LONG BLOCKS

1984-1999 BIG TWINS .....	334
---------------------------	-----

## EXHAUST

### EL DORADO TOURING EXHAUST SYSTEM

2007-2016 BIG TWINS .....	50
---------------------------	----

MILWAUKEE-EIGHT® .....	9
------------------------	---

### GRAND NATIONAL® 2:2 EXHAUST SYSTEM

2006-2017 DYNA® MODELS .....	49
------------------------------	----

<i>REPLACEMENT PARTS</i> .....	141
--------------------------------	-----

MILWAUKEE-EIGHT® .....	12
------------------------	----

<i>REPLACEMENT PARTS</i> .....	40
--------------------------------	----

### GRAND NATIONAL® 4" SLIP-ONS

1984-1999 BIG TWINS .....	317
---------------------------	-----

1999-2006 BIG TWINS .....	148
---------------------------	-----

<i>REPLACEMENT PARTS</i> .....	239, 408
--------------------------------	----------

2007-2016 BIG TWINS .....	55
---------------------------	----

<i>REPLACEMENT PARTS</i> .....	139
--------------------------------	-----

MILWAUKEE-EIGHT® .....	17
------------------------	----

<i>REPLACEMENT PARTS</i> .....	37
--------------------------------	----

STREET®/STREET ROD™ .....	308
---------------------------	-----

<i>REPLACEMENT PARTS</i> .....	314
--------------------------------	-----

**GRAND NATIONAL® SLIP-ONS**  
 1995-2009 DYNA® MODELS ..... 52, 146  
 REPLACEMENT PARTS ..... 137  
 2018 HD® FAT BOB® MODELS ..... 13  
 REPLACEMENT PARTS ..... 35  
 2018 SOFTAIL® MODELS ..... 14  
 REPLACEMENT PARTS ..... 36  
**Mk45 4.5" TOURING MUFFLERS**  
 1999-2006 BIG TWINS ..... 149, 316  
 REPLACEMENT PARTS ..... 238, 407  
 2007-2016 BIG TWINS ..... 53, 149, 316  
 REPLACEMENT PARTS ..... , 34  
**MILWAUKEE-EIGHT®** ..... 16  
**POWER TUNE DUALS**  
 1984-1999 BIG TWINS ..... 319  
 1999-2006 BIG TWINS ..... 150  
 REPLACEMENT PARTS ..... 142, 244, 410  
 2007-2016 BIG TWINS ..... 56  
**MILWAUKEE-EIGHT®**  
 REPLACEMENT PARTS ..... 41  
**SIDEWINDER 2:1 EXHAUST SYSTEM**  
 1999-2006 BIG TWINS ..... 144  
 REPLACEMENT PARTS ..... 242  
 2007-2017 BIG TWINS ..... 48, 144  
 REPLACEMENT PARTS ..... 140  
**MILWAUKEE-EIGHT®** ..... 10  
 SHADOW PIPE ..... 11  
**SLASH CUT 4" SLIP-ONS**  
 1999-2006 BIG TWINS ..... 147, 318  
 REPLACEMENT PARTS ..... 239, 409  
 2007-2017 BIG TWINS ..... 54  
 REPLACEMENT PARTS ..... 139  
**MILWAUKEE-EIGHT® ENGINES** ..... 18  
 REPLACEMENT PARTS ..... 37  
**SLASH CUT SLIP-ONS**  
 1995-2017 DYNA® MODELS ..... 51  
 REPLACEMENT PARTS ..... 136  
 1999-2006 BIG TWINS ..... 145  
 2018 SOFTAIL® MODELS ..... 15  
 REPLACEMENT PARTS ..... 36  
**SUPERSTREET 2:1 EXHAUST SYSTEM**  
**MILWAUKEE-EIGHT®** ..... 8  
 REPLACEMENT PARTS ..... 33

**F**

**FLYWHEELS**

CONNECTING ROD CHECKING PINS ..... 519  
 CRANKPIN NUT CLEARANCING GAUGES ..... 522  
 FLYWHEEL BALANCING KITS ..... 516  
**FLYWHEELS**  
 1926-1984 VINTAGE ..... 428, 429, 430  
 REPLACEMENT PARTS ..... 482, 483  
 1984-1999 BIG TWINS ..... 340  
 REPLACEMENT PARTS ..... 382, 383  
 1999-2006 BIG TWINS ..... 169  
 REPLACEMENT PARTS ..... 210, 211  
 2007-2016 BIG TWINS ..... 76  
 REPLACEMENT PARTS ..... 116, 117

REPLACEMENT FLYWHEELS FOR V-SERIES ENGINES ..... 340  
 SPORTSTER® & BUELL® MODELS ..... 261  
 REPLACEMENT PARTS ..... 289  
 IDENTIFICATIONS OF FLYWHEELS ..... 544  
**FUEL INJECTION**  
**VFI MODULES**  
 1999-2006 BIG TWINS ..... 200  
 REPLACEMENT PARTS ..... 201  
 2007-2016 BIG TWINS ..... 105

**G**

**GASKETS**

**GASKETS**  
 1926-1984 VINTAGE ..... 475  
 1984-1999 BIG TWINS ..... 369  
 1999-2006 BIG TWINS ..... 204  
 2007-2016 BIG TWINS ..... 108  
**MILWAUKEE-EIGHT®** ..... 31  
**SPORTSTER® & BUELL® MODELS** ..... 287

**GEARCOVERS**

**BILLET GEARCOVERS**  
 1926-1984 VINTAGE ..... 441  
 REPLACEMENT PARTS ..... 487  
 1984-1999 BIG TWINS ..... 343  
 REPLACEMENT PARTS ..... 372  
 1999-2006 BIG TWINS ..... 171  
 2007-2016 BIG TWINS ..... 78  
**SPORTSTER® & BUELL® MODELS** ..... 262  
**CAST GEARCOVERS**  
 1926-1984 VINTAGE ..... 441  
 REPLACEMENT PARTS ..... 487  
 1984-1999 BIG TWINS ..... 343  
 REPLACEMENT PARTS ..... 372  
**GENERATOR STYLE GEARCOVER**  
 1926-1984 VINTAGE ..... 440  
 REPLACEMENT PARTS ..... 486  
**IGNITION COVERS**  
 1984-1999 BIG TWINS ..... 343

**H**

**HEAD BOLTS**

CALCULATING CUSTOM HEAD BOLT LENGTHS ..... 547  
**HEAD BOLT KITS**  
 1926-1984 VINTAGE ..... 451  
 1984-1999 BIG TWINS ..... 358  
 1999-2006 BIG TWINS ..... 190  
 2007-2016 BIG TWINS ..... 99  
**SPORTSTER® & BUELL® MODELS** ..... 278

**J**

**JETS**

**JET & CARB REBUILD KITS**  
 1926-1984 VINTAGE ..... 469  
 1984-1999 BIG TWINS ..... 364  
 1999-2006 BIG TWINS ..... 197  
**SPORTSTER® & BUELL® MODELS** ..... 283

## M

### MANIFOLDS

#### INTAKE MANIFOLDS

1926-1984 VINTAGE REPLACEMENT PARTS .....	463
SPORTSTER® & BUELL® MODELS .....	285

#### MANIFOLD CONVERSION KIT

1984-1999 BIG TWINS .....	361
SPORTSTER® & BUELL® MODELS .....	285

#### MANIFOLDS FOR CARBURETED ENGINES

1926-1984 VINTAGE .....	464
1984-1999 BIG TWINS .....	360
1999-2006 BIG TWINS .....	192
SPORTSTER® & BUELL® MODELS .....	286

#### MANIFOLDS FOR SINGLE BORE EFI BIG TWINS

1984-1999 BIG TWINS .....	361
1999-2006 BIG TWINS .....	192
2007-2016 BIG TWINS .....	102

#### ORDERING S&S® MANIFOLDS .....

	545
--	-----

## O

### OIL FILTER

#### BILLET FILTER BRACKET

1984-1999 BIG TWINS .....	342
SPORTSTER® & BUELL® MODELS .....	262

### OIL PUMPS

#### HIGH VOLUME HIGH PRESSURE BILLET OIL PUMPS

1984-1999 BIG TWINS .....	341
REPLACEMENT PARTS .....	385

#### OIL PUMPS

1999-2006 BIG TWINS REPLACEMENT PARTS .....	214
2007-2016 BIG TWINS REPLACEMENT PARTS .....	120
MILWAUKEE-EIGHT® REPLACEMENT PARTS .....	44

#### STANDARD BILLET OIL PUMPS

1926-1984 VINTAGE .....	433
REPLACEMENT PARTS .....	484
1984-1999 BIG TWINS .....	341
REPLACEMENT PARTS .....	384

#### TC3

1999-2006 BIG TWINS .....	170
REPLACEMENT PARTS .....	213
2007-2016 BIG TWINS .....	77
REPLACEMENT PARTS .....	118

## P

### PINION GEARS

#### PINION SHAFT GEAR KITS

1926-1984 VINTAGE .....	437
1984-1999 BIG TWINS .....	350
SPORTSTER® & BUELL® MODELS .....	267

#### VINTAGE MODELS

PINION GEARS .....	438
--------------------	-----

### PINION SHAFT

#### PINION SHAFT ASSEMBLIES

1926-1984 VINTAGE .....	432
-------------------------	-----

### PISTONS

#### PISTON KITS

1926-1984 VINTAGE .....	445, 446, 447, 448
1984-1999 BIG TWINS .....	347
1999-2006 BIG TWINS .....	174
2007-2016 BIG TWINS .....	81
MILWAUKEE-EIGHT® .....	24
SPORTSTER® & BUELL® MODELS .....	264, 265

### POWER KITS

#### 80" HOT SET UP KIT

1984-1999 BIG TWINS .....	329
---------------------------	-----

#### 84", 86", or 88" STOCK BORE STROKER

1926-1984 VINTAGE .....	417
-------------------------	-----

#### 84" STROKER HOT SET UP KIT

1926-1984 VINTAGE .....	420
-------------------------	-----

#### 89" STROKER KIT

1984-1999 BIG TWINS .....	328
---------------------------	-----

#### 93" SIDEWINDER® HOT SET UP KIT

1926-1984 VINTAGE .....	420
-------------------------	-----

#### 95" HOT SET UP KITS

1999-2006 BIG TWINS .....	163
---------------------------	-----

#### 96" HOT SET UP KIT

1984-1999 BIG TWINS .....	327
---------------------------	-----

#### 97" BIG BORE KITS

1999-2006 BIG TWINS .....	162
---------------------------	-----

#### 98" BIG BORE KITS

1999-2006 BIG TWINS .....	162
---------------------------	-----

#### 106" BIG BORE KITS

2007-2016 BIG TWINS .....	71
---------------------------	----

#### 106" HOT SET UP KITS

2007-2016 BIG TWINS .....	71
---------------------------	----

#### 106" STROKER KITS

1999-2006 BIG TWINS .....	161
---------------------------	-----

#### 107" BIG BORE KITS

2007-2016 .....	70
-----------------	----

#### 110" PISTONS & CAMS

2007-2016 BIG TWINS .....	69
---------------------------	----

#### 117" BIG BORE KITS

207-2016 BIG TWINS .....	68
--------------------------	----

#### 124" BIG BORE KITS

MILWAUKEE-EIGHT® .....	23
------------------------	----

#### 124" HOT SET UP KITS

1999-2006 BIG TWINS .....	160
---------------------------	-----

2007-2016 BIG TWINS .....	67
---------------------------	----

#### 128" BIG BORE KITS

MILWAUKEE-EIGHT® .....	23
------------------------	----

#### 883 TO 1200CC CONVERSION KIT

SPORTSTER® & BUELL® MODELS .....	257
----------------------------------	-----

#### 1250CC CONVERSION KIT

SPORTSTER® & BUELL® MODELS .....	256
----------------------------------	-----

#### HOOLIGAN KITS

SPORTSTER® & BUELL® MODELS .....	254
----------------------------------	-----

#### POWER PACK

1999-2006 BIG TWINS .....	175
---------------------------	-----

2007-2017 BIG TWINS .....	83
---------------------------	----

MILWAUKEE-EIGHT® .....	25
------------------------	----

#### RETRO CONVERSION KIT

1926-1984 VINTAGE .....	419
-------------------------	-----



SIDEWINDER® BIG BORE KITS	
1926-1984 VINTAGE .....	416
2007-2016 BIG TWINS .....	66, 159
SIDEWINDER® KITS	
1984-1999 BIG TWINS .....	326
SIDEWINDER BIG BORE KITS	
SPORTSTER® & BUELL® MODELS .....	258
STOCK BORE STROKER KITS	
1926-1984 VINTAGE .....	418
TOP END REPLACEMENT KITS	
1926-1984 VINTAGE .....	421

## PUSHRODS

ADJUSTABLE CHROMOLY STEEL PUSHRODS	
1926-1984 VINTAGE .....	456
NON-ADJUSTABLE PUSHRODS	
1984-1999 BIG TWINS .....	353
1999-2006 BIG TWINS .....	182
2007-2016 BIG TWINS .....	91
PUSHROD COVERS & RELATED PARTS	
1926-1984 VINTAGE .....	457
1984-1999 BIG TWINS .....	353
1999-2006 BIG TWINS .....	183
2007-2016 BIG TWINS .....	91
SPORTSTER® & BUELL® MODELS .....	271
PUSHROD KITS	
1926-1984 VINTAGE .....	454, 455
QUICKEE ADJUSTABLE PUSHRODS	
1926-1984 VINTAGE .....	454
1984-1999 BIG TWINS .....	352
1999-2006 BIG TWINS .....	182
2007-2016 BIG TWINS .....	90
MILWAUKEE-EIGHT® .....	30
SPORTSTER® & BUELL® MODELS .....	270
SOLID LIFTER CONVERSION KIT	
1926-1984 VINTAGE .....	456
STANDARD ADJUSTABLE PUSHRODS	
1984-1999 BIG TWINS .....	352
1999-2006 BIG TWINS .....	182
2007-2016 BIG TWINS .....	90
SPORTSTER® & BUELL® MODELS .....	270
TIME-SAVER ADJUSTABLE PUSHRODS	
1926-1984 VINTAGE .....	456
1984-1999 BIG TWINS .....	352
2007-2016 BIG TWINS .....	90

## R

### ROCKER ARMS

FORGED ROLLER ROCKER ARMS	
1929-1984 VINTAGE .....	461
1984-1999 BIG TWINS .....	355
1999-2006 BIG TWINS .....	185
2007-2016 BIG TWINS .....	94
SPORTSTER® & BUELL® MODELS .....	274
STANDARD FORGED ROCKER ARMS	
1984-1999 BIG TWINS .....	355
REPLACEMENT PARTS .....	355
SPORTSTER® & BUELL® MODELS .....	274

### ROCKER COVERS

BILLET ROCKER COVERS	
1926-1984 VINTAGE .....	462
REPLACEMENT PARTS .....	494
1984-1999 BIG TWINS .....	359
REPLACEMENT PARTS .....	391
1999-2006 BIG TWINS	
REPLACEMENT PARTS .....	222
2007-2016 BIG TWINS	
REPLACEMENT PARTS .....	128
SPORTSTER® & BUELL® MODELS .....	279
REPLACEMENT PARTS .....	294
DIE CAST ROCKER COVERS	
1984-1999 BIG TWINS .....	359
REPLACEMENT PARTS .....	390
1999-2006 BIG TWINS .....	191
REPLACEMENT PARTS .....	221
2007-2016 BIG TWINS .....	99
REPLACEMENT PARTS .....	127
PAN COVERS	
1926-1984 VINTAGE .....	462
ROCKER ARM HOUSINGS	
1926-1984 VINTAGE .....	462
VALVE SPRING COVERS (TINS)	
1926-1984 VINTAGE .....	461

## S

### SPARK PLUGS

SPARK PLUGS .....	523
-------------------	-----

### STARTER COVER

RETRO KICK STARTER COVER KIT	
1926-1984 VINTAGE .....	474

## T

### TAPPETS

HIGH PERFORMANCE HYDRAULIC TAPPETS	
1984-1999 BIG TWINS .....	351
1999-2006 BIG TWINS .....	181
2007-2016 BIG TWINS .....	89
MILWAUKEE-EIGHT® .....	29
SPORTSTER® & BUELL® MODELS .....	268
HIGH QUALITY TAPPET ROLLER AND AXLE REPLACEMENT	
SPORTSTER® & BUELL® MODELS .....	268
HYDRAULIC LIFTER LIMITED TRAVEL SPACER (HL2T)	
1984-1999 BIG TWINS .....	351
1999-2006 BIG TWINS .....	181
SPORTSTER® & BUELL® MODELS .....	268
HYDRAULIC TAPPET COMPONENTS	
1926-1984 VINTAGE .....	453
PREMIUM HIGH PERFORMANCE TAPPETS	
1999-2006 BIG TWINS .....	181
2007-2016 BIG TWINS .....	89
MILWAUKEE-EIGHT® .....	29
SPORTSTER® & BUELL® MODELS .....	267
TAPPET COVERS	
1999-2006 BIG TWINS .....	181
REPLACEMENT PARTS .....	181
2007-2016 BIG TWINS .....	89

## TAPPET GUIDES

1926-1984 VINTAGE .....	453
1984-1999 BIG TWINS.....	351
MILWAUKEE-EIGHT® .....	29
SPORTSTER® & BUELL® MODELS.....	269

## TAPPETS

1926-1984 VINTAGE .....	453
-------------------------	-----

## THROTTLE ASSEMBLIES

### THROTTLE CABLE ASSEMBLIES

1926-1984 VINTAGE .....	471
SPORTSTER® & BUELL® MODELS.....	282
REPLACEMENT PARTS .....	282

## THROTTLE BODIES

### SINGLE BORE EFI THROTTLE BODIES

1984-1999 BIG TWINS	
REPLACEMENT PARTS .....	406
1999-2006 BIG TWINS.....	194
REPLACEMENT PARTS .....	232
2007-2016 BIG TWINS.....	103
REPLACEMENT PARTS .....	113

### THROTTLE HOG CABLE OPERATED THROTTLE BODIES

2007-2016 BIG TWINS.....	100
REPLACEMENT PARTS .....	112

### THROTTLE HOG THROTTLE BODIES

1999-2006 BIG TWINS.....	193
1999-2007 BIG TWINS.....	193
2007-2016 BIG TWINS.....	101

## THROTTLE CABLE

### TWO CABLE THROTTLE ASSEMBLIES

1984-1999 BIG TWINS.....	363
REPLACEMENT PARTS .....	363
1999-2006 BIG TWINS.....	196
REPLACEMENT PARTS .....	196

## TRANSMISSIONS

### 5-SPEED TRANSMISSION CASE

1926-1984 VINTAGE .....	473
REPLACEMENT PARTS .....	506

### CHROME PLATED BILLET TRANSMISSION SIDE COVER

1984-1999 BIG TWINS	
REPLACEMENT PARTS .....	412

### TRANSMISSION CASE REPLACEMENT PARTS

1984-1999 BIG TWINS.....	411
--------------------------	-----

### TRANSMISSION TOP COVER

1999-2006 BIG TWINS.....	201
--------------------------	-----

# V

## VALVE SPRINGS

### REPLACEMENT PARTS FOR ALL LIFTS

1984-1999 BIG TWINS.....	373
1999-2006 BIG TWINS.....	220
2007-2016 BIG TWINS.....	126
SPORTSTER® & BUELL® MODELS.....	306

### SIDEWINDER® .650" LIFT VALVE SPRINGS

1984-1999 BIG TWINS.....	354
1999-2006 BIG TWINS.....	184
2007-2016 BIG TWINS.....	93
SPORTSTER® & BUELL® MODELS.....	273

### STREET PERFORMANCE .585" LIFT VALVE SPRINGS

1984-1999 BIG TWINS.....	354
1999-2006 BIG TWINS.....	184
2007-2016 BIG TWINS.....	93
SPORTSTER® & BUELL® MODELS.....	273

### VALVE SPRING COVERS

1929-1984 VINTAGE .....	461
-------------------------	-----

### VALVE SPRING KITS

1926-1984 VINTAGE .....	459, 460
FOR B2 HEADS.....	92
FOR B3 HEADS.....	92
MILWAUKEE-EIGHT® .....	31

# MISSION STATEMENT AND TRADEMARK INFORMATION

## MISSION STATEMENT:

Proven Performance® for the Powersports Industry.

## DISCLAIMER

The names Harley, Harley-Davidson, Buell, H-D, and all trademarks owned by Harley-Davidson and its affiliated companies, and all Harley-Davidson and Buell part numbers and model designations are used for reference only. S&S Cycle is in no way associated with or authorized by Harley-Davidson Motor Co. to manufacture and sell any of the engine parts described in this catalog.

### THE FOLLOWING ARE TRADEMARKS OF HARLEY-DAVIDSON® MOTORCYCLE COMPANY

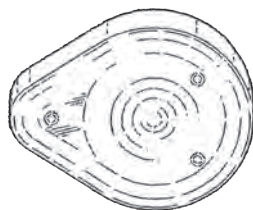
Buell®	HD®	Sportster®
Dyna®	H-D®	Twin Cam 88®
Evolution®	Heritage Softail®	Twin Cam 88B™
Evo™	Milwaukee-Eight®	Twin Cam 96™
Harley®	Screamin' Eagle®	Twin Cam 96B™
Harley-Davidson®	Softail®	Tri Glide™

Other trademarks mentioned in this catalog are the property of their respective owners and are used for reference only.

Adobe	Kwik-way	Prestolite
AHDRA	Khrome Werks	Sunnen
American Andrews Products	MSD	SuperFlow
Delphi	Magneti Marelli	SuperTrapp
Dynojet	Microsoft	Tillotson
Hitachi	NHRA	Timken
Keihin	Paughco	Viton
Kevlar	Pentium	Windows
	Pingel	

### THE FOLLOWING ARE TRADEMARKS OF S&S CYCLE INC.

Body Parts	IST	Sidewinder
Dealer Focus	Performance Times	SPO
EZFI	Power Tune	Super Stock
Frame Lock	Proven Performance	X-Wedge
G-Extreme	S&S	Flathead Power
Hot Set Up Kit	S&S Service & Speed Center	Viola V-Twin



S&S Cycle, Inc. reserves the right to change prices, terms, availability, and specifications without prior notice.

### CUSTOMER SUPPORT HOURS: MONDAY-FRIDAY 8:00A.M.-5:00P.M. CST

Calls should be directed to (608) 627-1497. International customers should use this number to place orders from outside the United States. This number should also be used if you have a technical or warranty question, or to contact the Accounting departments. This is not a toll-free number.

**S&S® Cycle, Inc. • 14025 CTY HWY G, Viola, WI 54664 USA**

**Phone: 608-627-1497 • Email: [sscust@sscycle.com](mailto:sscust@sscycle.com)**

**[sscycle.com](http://sscycle.com)**



**510-0585**